



ROHDE & SCHWARZ
MÜNCHEN

Schalteillisten
Stromläufe
Bestückungspläne
Parts lists
Circuit diagrams
Components plans

ROHDE&SCHWARZ	AZ	Datum Date	Schalttailliste für Parts list for EE SYNTHESIZER 2 SYNTHESIZER 2	Sachnummer Stock Nr.	Blatt Page
	50	0787		342.5003.01 SA	1
Kennzeichen Component No.	Benennung/Beschreibung Designation		Sachnummer Stock No.	enthalten in contained in	
B1	EQ 100MHZ5.S.THERM.HC-37U 100MHZ-CRYSTAL, TEMP.STAB AEG-TELEF TQ 02 FO=100,000MHZ		343.0034		
C1	CC 10NF-20+50%7X8R4000 CAPACITOR VALVO 2222 63051 64051103		CC 087.7525		
BIS/TO					
C40					
C41	CC 10NF-20+50%7X8R4000 CAPACITOR VALVO 2222 63051 64051103		CC 087.7525		
C42	CE 100UF-10+50% 16V 9X13 ELECTROLYTIC CAPACITOR ROEDERST EK 00CB 310 D		CE 006.7165		
C43	CE 220UF-10+50% 16V 13X17 ELECTROLYTIC CAPACITOR SIEMENS B41316-A4227-Z		CE 022.7566		
C44	CC 220NF+-10%50V7K1200VIE CERAMIC CAPACITOR UNION CARB CK06BX224K		CC 084.5515		
C45	CC 1,5UF+-20%50VK6000VIEL CAPACITOR ERIE 8737-050-Z5U-1,5		060.0071		
C46	CE 47UF-10+50% 40V 9X13 ELECTROLYTIC CAPACITOR ROEDERST EK 00 CB 247 G		CE 006.7142		
C47	CC 330PF+-2%6X9N750 CERAMIC CAPACITOR VALVO 2222 678 58331		CC 087.6964		
C48	CC 6PF+-0,5PF N150/IB RD5 CERAMIC CAPACITOR DRALORIC N150/IB6/0,5SDPN TRIMMWERT		006.0225		
C49	CC 18PF+-2%3X4NPO CAPACITOR VALVO 2222 678 10189		CC 087.6458		
C50	CE 22 UF+-20%16V 7X 5X11 ELECTROLYTIC CAPACITOR ERO-TANTAL TA-ELKO ETR3-22/15		CE 022.8091		
C51	CC 1NF+-10%63V K2000 CERAMIC CAPACITOR VALVO 2222 63051 102		CC 022.0784		
C52	CC 1NF+-10%63V K2000 CERAMIC CAPACITOR VALVO 2222 63051 102		CC 022.0784		
C53	CC 100PF+-2%6X9NPO CAPACITOR VALVO 2222 678 10101		CC 087.6541		
C54	CC 680PF+-10%4X5R2000 CAPACITOR VALVO 2222 63051 681		CC 087.7019		
C55	CC 1NF+-10%63V K2000 CERAMIC CAPACITOR VALVO 2222 63051 102		CC 022.0784		

Für diese Unterlage behalten wir uns alle Rechte vor

ROHDE&SCHWARZ	AZ 50	Datum Date 0787	Schaltteilliste für Parts list for EE SYNTHESIZER 2 SYNTHESIZER 2	Sachnummer Stock Nr. 342.5003.01 SA	Blatt Page 2
Kennzeichen Component No.	Benennung/Beschreibung Designation		Sachnummer Stock No.	enthalten in contained in	
C56	CC 100PF+-2%6X9NPO CAPACITOR VALVO 2222 678 10101		CC 087.6541		
C57	CE 22 UF+-20%16V 7X 5X11 ELECTROLYTIC CAPACITOR ERO-TANTAL TA-ELKO ETR3-22/15		CE 022.8091		
C58	CC 1NF+-10%63V K2000 CERAMIC CAPACITOR VALVO 2222 63051 102		CC 022.0784		
C59	CC 4,7NF+-10%6X9R2000 CAPACITOR VALVO 2222 63051 472		CC 087.7102		
C60	CE 100UF-10+50% 16V 9X13 ELECTROLYTIC CAPACITOR ROEDERST EK 00CB 310 D		CE 006.7165		
C61	CC 10NF-20+50%7X8R4000 CAPACITOR VALVO 2222 63051 64051103		CC 087.7525		
C62	CC 4,7NF+-10%6X9R2000 CAPACITOR VALVO 2222 63051 472		CC 087.7102		
C63	CE 100UF-10+50% 16V 9X13 ELECTROLYTIC CAPACITOR ROEDERST EK 00CB 310 D		CE 006.7165		
C64	CE 100UF-10+50% 16V 9X13 ELECTROLYTIC CAPACITOR ROEDERST EK 00CB 310 D		CE 006.7165		
C65	CC 100NF+-10% 50V5K1200LR CAPACITOR AEROVOX CKR05BX104KLEVELR		CC 092.0777		
C66	CC 82PF+-2%6X7NPO CAPACITOR VALVO 2222 678 10829		CC 087.6535		
C67	CC 100NF+-10% 50V5K1200LR CAPACITOR AEROVOX CKR05BX104KLEVELR		CC 092.0777		
C68	CC 100NF+-10% 50V5K1200LR CAPACITOR AEROVOX CKR05BX104KLEVELR		CC 092.0777		
C69	CC 3,9NF+-10%6X8R2000 CAPACITOR VALVO 2222 63051 392		CC 087.7090		
C70	CC 1NF+-10%63V K2000 CERAMIC CAPACITOR VALVO 2222 63051 102		CC 022.0784		
C71	CK 22 NF+-10%160V 14X6X10 PLASTIC FOIL CAPACITOR ROEDERST KT1807-32202		CK 006.5333		
C72	CE 100UF-10+50% 16V 9X13 ELECTROLYTIC CAPACITOR ROEDERST EK 00CB 310 D		CE 006.7165		
C73	CC 820NF+-10% 50V8K1200LR CAPACITOR AEROVOX CKR06BX824KLEVELR		CC 092.1009		
C74	CE 10UF -10+50% 63V 9X13 ELECTROLYTIC CAPACITOR ROEDERST ELKOEK10/63		CE 022.7650		

ROHDE&SCHWARZ	AZ	Datum Date	Schaltteilliste für Parts list for EE SYNTHESIZER 2 SYNTHESIZER 2	Sachnummer Stock Nr.	Blatt Page
	50	0787		342.5003.01 SA	3
Kennzeichen Component No.	Benennung/Beschreibung Designation		Sachnummer Stock No.	enthalten in contained in	
C75	CE 100UF-10+50% 40V 13X17 ELECTROLYTIC CAPACITOR SIEMENS B41316-B7107-Z		CE 022.7595		
C76	CC 33 NF+-10% 50V5K1200LR CAPACITOR AEROVOX CKR05BX333KLEVELR		CC 092.0719		
C77	CC 12 NF+-10% 50V5K1200LR CAPACITOR AEROVOX CKR05BX123KLEVELR		CC 092.0660		
C78	CC 10NF-20+50%7X8R4000 CAPACITOR VALVO 2222 63051 64051103		CC 087.7525		
C79	CC 10NF-20+50%7X8R4000 CAPACITOR VALVO 2222 63051 64051103		CC 087.7525		
C80	CC 10NF-20+50%7X8R4000 CAPACITOR VALVO 2222 63051 64051103		CC 087.7525		
BIS/TO C83					
C84	CC 47 NF+-10% 50V5K1200LR CAPACITOR AEROVOX CKR05BX473KLEVELR		CC 092.0731		
C85	CC 220NF+-10% 50V8K1200LR CAPACITOR AEROVOX CKR06BX224KLEVELR		CC 092.0931		
C86	CC 220NF+-10% 50V8K1200LR CAPACITOR AEROVOX CKR06BX224KLEVELR		CC 092.0931		
C87	CC 100NF+-10% 50V5K1200LR CAPACITOR AEROVOX CKR05BX104KLEVELR		CC 092.0777		
C88	CC 10NF-20+50%7X8R4000 CAPACITOR VALVO 2222 63051 64051103		CC 087.7525		
C89	CC 10NF-20+50%7X8R4000 CAPACITOR VALVO 2222 63051 64051103		CC 087.7525		
C90	CC 10NF-20+50%7X8R4000 CAPACITOR VALVO 2222 63051 64051103		CC 087.7525		
C91	CC 10NF-20+50%7X8R4000 CAPACITOR VALVO 2222 63051 64051103		CC 087.7525		
C92	CE 100UF-10+50% 16V 9X13 ELECTROLYTIC CAPACITOR ROEDERST EK 00CB 310 D		CE 006.7165		
C94	CE 100UF-10+50% 16V 9X13 ELECTROLYTIC CAPACITOR ROEDERST EK 00CB 310 D		CE 006.7165		
C95	CE 220UF-10+50% 16V 13X17 ELECTROLYTIC CAPACITOR SIEMENS B41316-A4227-Z		CE 022.7566		
C96	CC 100NF+-10% 50V5K1200LR CAPACITOR AEROVOX CKR05BX104KLEVELR		CC 092.0777		

ROHDE&SCHWARZ	Az	Datum Date	Schaltteilleiste für Parts list for EE SYNTHESIZER 2 SYNTHESIZER 2	Sachnummer Stock Nr.	Blatt Page
	50	0787		342.5003.01 SA	4
Kennzeichen Component No.	Benennung/Beschreibung Designation		Sachnummer Stock No.	enthalten in contained in	
C97	CC 330PF+-2%6X9N750 CERAMIC CAPACITOR VALVO 2222 678 58331		CC 087.6964		
C98	CC 6,8PF+-0,25PF3X4N750 CAPACITOR VALVO 2222 678 57688		CC 087.6764		
C99	CC 6,8PF+-0,25PF3X4N750 CAPACITOR VALVO 2222 678 57688		CC 087.6764		
C100	TRIMMWERT 3,9...8,2 P N750 CC 4,7NF+-10%6X9R2000 CAPACITOR VALVO 2222 63051 472		CC 087.7102		
C101	CC 4,7NF+-10%6X9R2000 CAPACITOR VALVO 2222 63051 472		CC 087.7102		
C102	CC 8,2PF+-0,25PF3X4N750 CAPACITOR VALVO 2222 678 57828		CC 087.6770		
C103	CC 120PF+-2%6X9NPO CAPACITOR VALVO 2222 678 10121		CC 087.6558		
C104	CC 56PF+-2%4X5N750 CAPACITOR VALVO 2222 678 58569		CC 087.6870		
C105	CC 12PF+-2%3X4NPO CAPACITOR VALVO 2222 678 10129		CC 087.6435		
C106	CC 4,7NF+-10%6X9R2000 CAPACITOR VALVO 2222 63051 472		CC 087.7102		
C107	CC 8,2PF+-0,25PF3X4NPO CAPACITOR VALVO 2222 678 09828		CC 087.6412		
C108	CC 47PF+-2%5X6NPO CAPACITOR VALVO 2222 678 10479		CC 087.6506		
C109	CC 1NF+-10%63V K2000 CERAMIC CAPACITOR VALVO 2222 63051 102		CC 022.0784		
C110	CC 1PF+-0,25PF3X4P100 CAPACITOR VALVO 2222 678 03108		CC 087.6170		
C111	CC 33PF+-2%4X5NPO CAPACITOR VALVO 2222 678 10339		CC 087.6487		
C113	CC 4,7NF+-10%6X9R2000 CAPACITOR VALVO 2222 63051 472		CC 087.7102		
C114	CC 2,2PF+-0,25PF3X4NPO CAPACITOR VALVO 2222 678 09228		CC 087.6341		
C115	CC 15PF+-2%3X4NPO CAPACITOR VALVO 2222 678 10159		CC 087.6441		

ROHDE&SCHWARZ	AZ 50	Datum Date 0787	Schaltteilliste für Parts list for EE SYNTHESIZER 2 SYNTHESIZER 2	Sachnummer Stock Nr. 342.5003.01 SA	Blatt Page 5
Kennzeichen Component No.	Benennung/Beschreibung Designation		Sachnummer Stock No.	enthalten in contained in	
C116	CC 68PF+-2%6X7NPO CAPACITOR VALVO 2222 678 10689		CC 087.6529		
C118	CC 4,7NF+-10%6X9R2000 CAPACITOR VALVO 2222 63051 472		CC 087.7102		
C119	CC 4,7NF+-10%6X9R2000 CAPACITOR VALVO 2222 63051 472		CC 087.7102		
C120	CC 4,7NF+-10%6X9R2000 CAPACITOR VALVO 2222 63051 472		CC 087.7102		
C121	CC 33PF+-2%4X5NPO CAPACITOR VALVO 2222 678 10339		CC 087.6487		
C123	CC 4,7NF+-10%6X9R2000 CAPACITOR VALVO 2222 63051 472		CC 087.7102		
C124	CC 100NF+-10%100V K1200VI CERAMIC CAPACITOR UNION CARB CK06BX104K		CC 060.1149		
C125	CC 100NF+-10%100V K1200VI CERAMIC CAPACITOR UNION CARB CK06BX104K		CC 060.1149		
C126	CC 220NF+-10% 50V8K1200LR CAPACITOR AEROVOX CKR06BX224KLEVELR		CC 092.0931		
C127	CE 100UF-10+50% 16V 9X13 ELECTROLYTIC CAPACITOR ROEDERST EK 00CB 310 D		CE 006.7165		
C128	CC 1UF +-10% 50VK1200LR CAPACITOR AEROVOX CKR06BX105KLEVELR		CC 092.1015		
C129	CC 100PF+-2%4X5N750 CAPACITOR VALVO 2222 678 58101		CC 087.6906		
C130	CC 100NF+-10% 50V5K1200LR CAPACITOR AEROVOX CKR05BX104KLEVELR		CC 092.0777		
C131	CC 100NF+-10% 50V5K1200LR CAPACITOR AEROVOX CKR05BX104KLEVELR		CC 092.0777		
C132	CC 10NF-20+50%7X8R4000 CAPACITOR VALVO 2222 63051 64051103		CC 087.7525		
BIS/TO C135 C136	CC 10NF-20+50%7X8R4000 CAPACITOR VALVO 2222 63051 64051103		CC 087.7525		
C137	CE 100UF-10+50% 16V 9X13 ELECTROLYTIC CAPACITOR ROEDERST EK 00CB 310 D		CE 006.7165		
C140	CK 100NF+-5%63V5RM MKT CAPACITOR WIMA MKS/2/63/0,1UF/5%		CK 099.2930		

ROHDE&SCHWARZ	AZ 50	Datum Date 0787	Schaltteilliste für Parts list for EE SYNTHESIZER 2 SYNTHESIZER 2	Sachnummer Stock Nr. 342.5003.01 SA	Blatt Page 6
Kennzeichen Component No.	Benennung/Beschreibung Designation		Sachnummer Stock No.	enthalten in contained in	
C141	CE 10 UF+-20%16V 7X 4X 8 ELECTROLYTIC CAPACITOR		CE 022.8085		
C142	ERO-TANTAL TA-ELKOETR2-10/15 CE 100UF-10+50% 16V 9X13 ELECTROLYTIC CAPACITOR		CE 006.7165		
C143	ROEDERST EK 00CB 310 D CC 100NF+-10%100V K1200VI CERAMIC CAPACITOR		CC 060.1149		
C144	UNION CARB CK06BX104K CE 100UF-10+50% 16V 9X13 ELECTROLYTIC CAPACITOR		CE 006.7165		
C145	ROEDERST EK 00CB 310 D CE 100UF-10+50% 16V 9X13 ELECTROLYTIC CAPACITOR		CE 006.7165		
C146	ROEDERST EK 00CB 310 D CC 10NF-20+50%7X8R4000 CAPACITOR		CC 087.7525		
	VALVO 2222 63051 64051103				
BIS/TO					
C149					
C150	CE 100UF-10+50% 16V 9X13 ELECTROLYTIC CAPACITOR		CE 006.7165		
C151	ROEDERST EK 00CB 310 D CC 27PF+-2%4X5NPO CAPACITOR		CC 087.6470		
	VALVO 2222 678 10279				
C152	CC 27PF+-10%100V3NPO CHIP CAPACITOR		CC 082.3038		
C153	VITRAMON VJ1005A270KFB CC 27PF+-2%4X5NPO CAPACITOR		CC 087.6470		
	VALVO 2222 678 10279				
C154	CC 27PF+-10%100V3NPO CHIP CAPACITOR		CC 082.3038		
C240	VITRAMON VJ1005A270KFB CE 47UF-10+50% 40V 9X13 ELECTROLYTIC CAPACITOR		CE 006.7142		
C901	ROEDERST EK 00 CB 247 G CT 15,5PF N750 ABGL OBEN DISC TRIMMER		CT 065.9677		
C902	STETTNER 7-STRIKO 03/4,5/20N7 CT 15,5PF N750 ABGL OBEN DISC TRIMMER		CT 065.9677		
C903	STETTNER 7-STRIKO 03/4,5/20N7 CT 15,5PF N750 ABGL OBEN DISC TRIMMER		CT 065.9677		
	STETTNER 7-STRIKO 03/4,5/20N7				
D1	BL CD4097BF 2XANAL. MUX MULTIPLEXER		BL 343.0040		
	RCA CD4097BF				
D2	BL CD4097BF 2XANAL. MUX MULTIPLEXER		BL 343.0040		
	RCA CD4097BF				
D3	BL HEF4104BD 4XCONV. 3S LEVEL CONVERTER		645.7668		
	VALVO HEF4104BD				

ROHDE&SCHWARZ		AZ	Datum Date	Schaltteilliste für Parts list for	Sachnummer Stock Nr.	Blatt Page
		50	0787	EE SYNTHESIZER 2 SYNTHESIZER 2	342.5003.01 SA	7
Kennzeichen Component No.	Benennung/Beschreibung Designation	Sachnummer Stock No.	enthalten in contained in			
D4	BL SP8695BDG10:1DIVID UHF DIVIDER	343.1547				
D5	BL SP8695BDG10:1DIVID UHF DIVIDER	BL 303.8970				
D6	PLESSEY SP8695BDG BL HEF4751VD UNIV. DIVID UNIVERSAL DIVIDER VALVO HEF4751VD	343.0057				
D7	BL SN74LS02N 4/2INP.NOR IC NOR GATE SN74LS02N TEXAS SN74LS020N	266.4658				
D8	BL SN74LS20N 2/4INP.NAND IC NAND GATE SN74LS20N TEXAS SN74LS20N	266.2055				
D9	BL SN74LS192N ZAEHLER IC COUNTER SN74LS192N TEXAS SN74LS192N	235.8300				
D10	BL HEF4750VD FREQU.SYNTH FREQUENCY SYNTHESIZER VALVO HEF4750VD	343.0063				
D11	BJ TL604CP 2X ANALOGSCH ANALOG SWITCH TEXAS INST TL604CP	BJ 300.6199				
D12	BJ TL604CP 2X ANALOGSCH ANALOG SWITCH TEXAS INST TL604CP	BJ 300.6199				
D13	BL CD4011BF 4X2IN.NANDG NAND GATE RCA CD4011BF	BL 517.7572				
D14	BO ICM7555IPA TIMER TIMER INTERSIL ICM7555IPA	BO 303.9260				
D20	BL 74F112PC 2XJK-FLIPF. DUAL JK-FLIPFLOP FAIRCHILD 74F112PC	BL 344.6565				
D21	BL SN74LS290N DEC.COUNTER IC DECADE COUNTER SN74LS2 TEXAS SN74LS290N	300.6447				
D22	BL SN74LS290N DEC.COUNTER IC DECADE COUNTER SN74LS2 TEXAS SN74LS290N	300.6447				
D23	BL MC14522BAL BCD COUNTER COUNTER MOTOROLA MC14522BAL	BL 418.0187				
D24	BL MC14510BAL BCD COUNTER COUNTER RCA CD4510BF	BL 418.0229				
D26	BL CD4046BF PHASE-L-L. PHASE LOCKED LOOP RCA CD4046BF	BL 530.6060				
D27	BJ TL604CP 2X ANALOGSCH ANALOG SWITCH TEXAS INST TL604CP	BJ 300.6199				
D28	BL SN74LS290N DEC.COUNTER IC DECADE COUNTER SN74LS2 TEXAS SN74LS290N	300.6447				

342.5003.01 SA BL 7+

ROHDE&SCHWARZ		ÄZ	Datum Date	Schaltteilliste für Parts list for	Sachnummer Stock Nr.	Blatt Page
		50	0787	EE SYNTHESIZER 2 SYNTHESIZER 2	342.5003.01 SA	8
Kennzeichen Component No.	Benennung/Beschreibung Designation	Sachnummer Stock No.	enthalten in contained in			
D29	BL MC14522BAL BCD COUNTER COUNTER MOTOROLA MC14522BAL	BL 418.0187				
L1	LD 4,70UH10%1,20OHM0,239A CHOKE DELEVAN DROSSEL1025-36	LD 067.2940				
L2	LD 120 UH10%13,0OHM0,066A CHOKE DELEVAN DROSSEL1025-70	LD 067.3118				
L3	LF ROHRK.RD3,5X1,2X3 GETR TUBLAR CORE	LF 026.9257				
L4	LD 1,00UH10%1,00OHM0,390A CHOKE DELEVAN 1025-20	LD 067.2863				
L5	LF ROHRK.RD3,5X1,2X3 GETR TUBLAR CORE	LF 026.9257				
L6	LD 1,00UH10%1,00OHM0,390A CHOKE DELEVAN 1025-20	LD 067.2863				
L7	LD 1,00UH10%1,00OHM0,390A CHOKE DELEVAN 1025-20	LD 067.2863				
L8	LF ROHRK.RD3,5X1,2X3 GETR TUBLAR CORE	LF 026.9257				
L9	LD ROHRKERN-SPULE	342.5061	342.4959			
L11	LD 4,70UH10%1,20OHM0,239A CHOKE DELEVAN DROSSEL1025-36	LD 067.2940				
L12	LD 4,70UH10%1,20OHM0,239A CHOKE DELEVAN DROSSEL1025-36	LD 067.2940				
L13	LD 47,0UH10%4,50OHM0,110A CHOKE DELEVAN DROSSEL1025-36	LD 067.3060				
L14	LD 47,0UH10%4,50OHM0,110A CHOKE DELEVAN DROSSEL1025-60	LD 067.3060				
L15	LD 47,0UH10%4,50OHM0,110A CHOKE DELEVAN DROSSEL1025-60	LD 067.3060				
L16	LD 4,70UH10%1,20OHM0,239A CHOKE DELEVAN DROSSEL1025-60	LD 067.2940				
L17	LD 4,70UH10%1,20OHM0,239A CHOKE DELEVAN DROSSEL1025-36	LD 067.2940				
L18	LD 4,70UH10%1,20OHM0,239A CHOKE DELEVAN DROSSEL1025-36	LD 067.2940				
L29	LD SPULE	342.5090	342.4959			
L30	LD SPULE	342.5090	342.4959			
L40	LD 10,0UH10%3,30OHM0,144A CHOKE DELEVAN DROSSEL1025-44	LD 026.4184				
					342.5003.01 SA	BL 8+

uns alle Rechte vor

ROHDE&SCHWARZ	AZ	Datum Date	Schalttailliste für Parts list for EE SYNTHESIZER 2 SYNTHESIZER 2	Sachnummer Stock Nr.	Blatt Page
	50	0787		342.5003.01 SA	9
Kennzeichen Component No.	Benennung/Beschreibung Designation		Sachnummer Stock No.	enthalten in contained in	
L50	LD 0,47UH10%0,35OHM0,660A CHOKE DELEVAN DROSSEL1025-12		LD 067.2828		
L51	LD 0,47UH10%0,35OHM0,660A CHOKE DELEVAN DROSSEL1025-12		LD 067.2828		
L52	LD 4,70UH10%1,20OHM0,239A CHOKE DELEVAN DROSSEL1025-36		LD 067.2940		
L53	LD 0,22UH10%0,14OHM1,045A CHOKE DELEVAN DROSSEL1025-04		LD 067.2786		
L54	LD 0,15UH10%0,10OHM1,230A CHOKE DELEVAN DROSSEL1025-00		LD 067.2763		
L55	LD 0,12UH10%0,09OHM1,300A CHOKE DELEVAN DROSSEL1025-96		LD 067.2757		
L56	LD 0,15UH10%0,10OHM1,230A CHOKE DELEVAN DROSSEL1025-00		LD 067.2763		
L57	LD 0,18UH10%0,12OHM1,120A CHOKE DELEVAN DROSSEL1025-02		LD 067.2770		
L58	LD 0,18UH10%0,12OHM1,120A CHOKE DELEVAN DROSSEL1025-02		LD 067.2770		
L59	LF ROHRK.RD3,5X1,2X3 GETR TUBLAR CORE		LF 026.9257		
L60	LD 1,00UH10%1,00OHM0,390A CHOKE DELEVAN 1025-20		LD 067.2863		
L61	LD 4,70UH10%1,20OHM0,239A CHOKE DELEVAN DROSSEL1025-36		LD 067.2940		
L62	LD 47,0UH10%4,50OHM0,110A CHOKE DELEVAN DROSSEL1025-60		LD 067.3060		
L63	LD 4,70UH10%1,20OHM0,239A CHOKE DELEVAN DROSSEL1025-36		LD 067.2940		
L64	LD 4,70UH10%1,20OHM0,239A CHOKE DELEVAN DROSSEL1025-36		LD 067.2940		
L65	LD 10,0UH10%3,30OHM0,144A CHOKE DELEVAN DROSSEL1025-44		LD 026.4184		
L66	LD 4,70UH10%1,20OHM0,239A CHOKE DELEVAN DROSSEL1025-36		LD 067.2940		
BIS/TO					
L71					
L72	LD 470 UH10%42,0OHM0,036A CHOKE DELEVAN DROSSEL1025-84		LD 067.3182		

ROHDE&SCHWARZ	AZ	Datum Date	Schaltteilliste für Parts list for EE SYNTHESIZER 2 SYNTHESIZER 2	Sachnummer Stock Nr.	Blatt Page
	50	0787		342.5003.01 SA	10
Kennzeichen Component No.	Benennung/Beschreibung Designation		Sachnummer Stock No.	enthalten in contained in	
L73	LD 10,0UH10%3,30OHM0,144A CHOKE		LD 026.4184		
L74	DELEVAN DROSSEL1025-44 LD 0,10UH10%0,08OHM1,400A CHOKE		LD 067.2740		
L75	DELEVAN DROSSEL1025-94 LD 0,10UH10%0,08OHM1,400A CHOKE		LD 067.2740		
L901	DELEVAN DROSSEL1025-94 LD 0,064UH/33,7PF Q85 CHOKE TOCO 301 AS-0300,		303.9030		
N1	BO LF356BJ BIFET OPAMP OPERATIONAL AMPLIFIER MOTOROLA LF356J		300.6053		
N2	BO SE5534AFE LOW N.OPAMP OPERATIONAL AMPLIFIER SIGNETICS SE5534AFE		301.3335		
N3	BO SE5534AFE LOW N.OPAMP OPERATIONAL AMPLIFIER SIGNETICS SE5534AFE		301.3335		
P1	VL WIRE-WRAP PIN WIRE-WRAP PIN BERG NR. 75 403-003		VL 088.4542		
P2	VL WIRE-WRAP PIN WIRE-WRAP PIN BERG NR. 75 403-003		VL 088.4542		
BIS/TO P7					
P8	VL WIRE-WRAP PIN WIRE-WRAP PIN BERG NR. 75 403-003 3 POLE		VL 088.4542		
P9	VL WIRE-WRAP PIN WIRE-WRAP PIN BERG NR. 75 403-003		VL 088.4542		
R1	RL 0,35W 1KOHM+-1%TK50 RESISTOR DRALORIC SMA0207/1K-F-C		RL 082.2160		
R2	RL 0,35W 10,0KOHM+-1%TK50 RESISTOR DRALORIC SMA0207/10K-F-D		RL 083.1297		
BIS/TO R20					
R21	RL 0,35W 100 OHM+-1%TK50 METALFILM-RESISTOR DRALORIC SMA0207/100/HM-F-D		RL 082.6543		
R22	RL 0,35W 100 OHM+-1%TK50 METALFILM-RESISTOR DRALORIC SMA0207/100/HM-F-D		RL 082.6543		
R23	RL 0,35W 1KOHM+-1%TK50 RESISTOR DRALORIC SMA0207/1K-F-C		RL 082.2160		

ROHDE&SCHWARZ		AZ	Datum Date	Schaltteilliste für Parts list for	Sachnummer Stock Nr.	Blatt Page
		50	0787	EE SYNTHESIZER 2 SYNTHESIZER 2	342.5003.01 SA	11
Kennzeichen Component No.	Benennung/Beschreibung Designation			Sachnummer Stock No.	enthalten in contained in	
R24	RL 0,35W 4,75KOHM+-1%TK50 RESISTOR DRALORIC SMA0207/4,75K-F-D			RL 083.1097		
R25	RL 0,35W 10,0KOHM+-1%TK50 RESISTOR DRALORIC SMA0207/10K-F-D			RL 083.1297		
R26	RL 0,35W 56,2KOHM+-1%TK50 RESISTOR DRALORIC SMA0207/56,2K-F-C			RL 082.2231		
R27	RL 0,35W 27,4KOHM+-1%TK50 RESISTOR DRALORIC SMA 0207/27,4K-F-C			RL 082.2583		
R28	RL 0,35W 274 OHM+-1%TK50 RESISTOR DRALORIC SMA0207/274OHM-F-D			RL 083.0178		
R29	RL 0,35W 68,1 OHM+-1%TK50 RESISTOR DRALORIC SMA0207/68,1OHM-F-D			RL 082.9636		
R30	RL 0,35W 18,20 OHM+-1%TK50 RESISTOR DRALORIC SMA0207/18,2OHM-F-D			RL 082.9107		
R31	RL 0,35W 100 OHM+-1%TK50 METALFILM-RESISTOR DRALORIC SMA0207/100/HM-F-D			RL 082.6543		
R32	RL 0,35W 274 OHM+-1%TK50 RESISTOR DRALORIC SMA0207/274OHM-F-D			RL 083.0178		
R33	RL 0,35W 825 OHM+-1%TK50 RESISTOR DRALORIC SMA 0207/825OHM-F-C			RL 082.2502		
R34	RL 0,35W 274 OHM+-1%TK50 RESISTOR DRALORIC SMA0207/274OHM-F-D			RL 083.0178		
R35	RL 0,35W 68,1 OHM+-1%TK50 RESISTOR DRALORIC SMA0207/68,1OHM-F-D			RL 082.9636		
R36	RL 0,35W 56,2KOHM+-1%TK50 RESISTOR DRALORIC SMA0207/56,2K-F-C			RL 082.2231		
R37	RL 0,35W 27,4KOHM+-1%TK50 RESISTOR DRALORIC SMA 0207/27,4K-F-C			RL 082.2583		
R38	RL 0,35W 274 OHM+-1%TK50 RESISTOR DRALORIC SMA0207/274OHM-F-D			RL 083.0178		
R39	RL 0,35W 18,20 OHM+-1%TK50 RESISTOR DRALORIC SMA0207/18,2OHM-F-D			RL 082.9107		
R40	RL 0,35W 100 OHM+-1%TK50 METALFILM-RESISTOR DRALORIC SMA0207/100/HM-F-D			RL 082.6543		
R41	RL 0,35W 681 OHM+-1%TK50 RESISTOR DRALORIC SMA0207/681OHM-F-D			RL 083.0490		

342.5003.01 SA BL11+

ROHDE&SCHWARZ	AZ	Datum Date	Schaltteilliste für Parts list for EE SYNTHESIZER 2 SYNTHESIZER 2	Sachnummer Stock Nr.	Blatt Page
	50	0787		342.5003.01 SA	12
Kennzeichen Component No.	Benennung/Beschreibung Designation		Sachnummer Stock No.	enthalten in contained in	
R42	RL 0,35W 3,92KOHM+-1%TK50 RESISTOR RESISTA MK2		RL 083.1039		
R43	RL 0,35W 562 OHM+-1%TK50 RESISTOR DRALORIC SMA0207/562OHM-F-D		RL 083.0461		
R44	RL 0,35W 1,21KOHM+-1%TK50 RESISTOR DRALORIC SMA0207/1,21K-F-D		RL 083.0655		
R45	RL 0,35W 357 OHM+-1%TK50 RESISTOR DRALORIC SMA0207/357OHM-F-D		RL 083.0284		
R46	RL 0,35W 475 OHM+-1%TK50 RESISTOR DRALORIC SMA0207/475OHM-F-D		RL 083.0390		
R47	RL 0,35W 681 OHM+-1%TK50 RESISTOR DRALORIC SMA0207/681OHM-F-D		RL 083.0490		
R48	RL 0,35W 3,92KOHM+-1%TK50 RESISTOR RESISTA MK2		RL 083.1039		
R49	RL 0,35W 357 OHM+-1%TK50 RESISTOR DRALORIC SMA0207/357OHM-F-D		RL 083.0284		
R50	RL 0,1W 499OHM+-1%TK50 RESISTOR DALE MF1/10 499 OHM1%TK50		086.2336		
R51	RL 0,1W 499OHM+-1%TK50 RESISTOR DALE MF1/10 499 OHM1%TK50		086.2336		
R52	RL 0,35W 357 OHM+-1%TK50 RESISTOR DRALORIC SMA0207/357OHM-F-D		RL 083.0284		
R53	RL 0,35W 10,0 OHM+-1%TK50 RESISTOR DRALORIC SMA0207/10OHM-F-D		RL 082.8852		
R54	RL 0,35W 4,75KOHM+-1%TK50 RESISTOR DRALORIC SMA0207/4,75K-F-D		RL 083.1097		
R55	RL 0,35W 82,5KOHM+-1%TK50 RESISTOR DRALORIC SMA0207/82,5K-F-C		RL 082.2302		
BIS/TO					
R60	RL 0,35W 100KOHM+-1%TK50 RESISTOR DRALORIC SMA0207/100K-F-C		RL 082.1764		
R61	RL 0,35W 82,5KOHM+-1%TK50 RESISTOR DRALORIC SMA0207/82,5K-F-C		RL 082.2302		
R62	RL 0,35W 82,5KOHM+-1%TK50 RESISTOR DRALORIC SMA0207/82,5K-F-C		RL 082.2302		
R63	RL 0,35W 68,1KOHM+-1%TK50 RESISTOR DRALORIC SMA0207/68,1K-F-C		RL 082.2602		
R64	RL 0,35W 68,1KOHM+-1%TK50 RESISTOR DRALORIC SMA 0207/68,1K-F-C		RL 082.2602		
				342.5003.01 SA	BL12+

ROHDE&SCHWARZ	AZ	Datum Date	Schaltteilliste für Parts list for EE SYNTHESIZER 2 SYNTHESIZER 2	Sachnummer Stock Nr.	Blatt Page
	50	0787		342.5003.01 SA	13
Kennzeichen Component No.	Benennung/Beschreibung Designation		Sachnummer Stock No.	enthalten in contained in	
R66	RL 0,35W 10,0KOHM+-1%TK50 RESISTOR DRALORIC SMA0207/10K-F-D		RL 083.1297		
R67	RL 0,35W 4,75KOHM+-1%TK50 RESISTOR DRALORIC SMA0207/4,75K-F-D		RL 083.1097		
R68	RL 0,35W 4,75KOHM+-1%TK50 RESISTOR DRALORIC SMA0207/4,75K-F-D		RL 083.1097		
R69	RL 0,35W 10,0 OHM+-1%TK50 RESISTOR DRALORIC SMA0207/10OHM-F-D		RL 082.8852		
R70	RL 0,35W 2,74KOHM+-1%TK50 RESISTOR DRALORIC SMA0207/2,74K-F-D		RL 083.0926		
R71	RL 0,35W 562 KOHM+-1%TK50 RESISTOR DRALORIC SMA0207/562K-F-C		RL 083.2664		
R72	RL 0,35W 750 KOHM+-1%TK50 RESISTOR DRALORIC SMA/207/750K-F-C		RL 083.2770		
R73	RL 0,35W 27,4KOHM+-1%TK50 RESISTOR DRALORIC SMA 0207/27,4K-F-C		RL 082.2583		
R74	RL 0,35W 27,4KOHM+-1%TK50 RESISTOR DRALORIC SMA 0207/27,4K-F-C		RL 082.2583		
R75	RL 0,35W 3,01KOHM+-1%TK50 RESISTOR DRALORIC SMA0207/3,01K-F-D		RL 083.0961		
R76	RL 0,35W 100 OHM+-1%TK50 METALFILM-RESISTOR DRALORIC SMA0207/100/HM-F-D		RL 082.6543		
R77	RL 0,35W 13,0KOHM+-1%TK50 RESISTOR DRALORIC SMA0207/13,0K-F-D		RL 083.1368		
R78	RL 0,35W 6,19KOHM+-1%TK50 RESISTOR DRALORIC SMA0207/6,19K-F-C		RL 082.2283		
R79	RL 0,35W 10,0KOHM+-1%TK50 RESISTOR DRALORIC SMA0207/10K-F-D		RL 083.1297		
R80	RL 0,35W 10,0KOHM+-1%TK50 RESISTOR DRALORIC SMA0207/10K-F-D		RL 083.1297		
R81	RL 0,35W 100KOHM+-1%TK50 RESISTOR DRALORIC SMA0207/100K-F-C		RL 082.1764		
R82	RL 0,21W 10,0 OHM+-1%TK50 RESISTOR RESISTA MK1 10,0OHM 1% TK50		RL 092.1715		
R83	RL 0,35W 10,0KOHM+-1%TK50 RESISTOR DRALORIC SMA0207/10K-F-D		RL 083.1297		

Für diese Unterlage behalten wir uns alle Rechte vor

ROHDE&SCHWARZ		AZ	Datum Date	Schaltteilliste für Parts list for	Sachnummer Stock Nr.	Blatt Page
		50	0787	EE SYNTHESIZER 2 SYNTHESIZER 2	342.5003.01 SA	14
Kennzeichen Component No.	Benennung/Beschreibung Designation			Sachnummer Stock No.	enthalten in contained in	
R84	RL 0,35W 47,5KOHM+-1%TK50 RESISTOR DRALORIC SMA/207/47,5K-F-C			RL 083.1800		
R85	RL 0,35W 47,5KOHM+-1%TK50 RESISTOR DRALORIC SMA/207/47,5K-F-C			RL 083.1800		
R86	RL 0,35W 100KOHM+-1%TK50 RESISTOR DRALORIC SMA0207/100K-F-C			RL 082.1764		
BIS/TO R88						
R89	RL 0,35W 1MOHM+-1%TK50 RESISTOR DRALORIC SMA0207/1M-F-D			RL 082.7862		
R90	RL 0,1W 499OHM+-1%TK50 RESISTOR DALE MF1/10 499 OHM1%TK50			086.2336		
R91	RL 0,35W 4,75KOHM+-1%TK50 RESISTOR DRALORIC SMA0207/4,75K-F-D			RL 083.1097		
R92	RL 0,35W 100KOHM+-1%TK50 RESISTOR DRALORIC SMA0207/100K-F-C			RL 082.1764		
R93	RL 0,35W 2,21KOHM+-1%TK50 RESISTOR DRALORIC SMA 0207/2,21K-F-C			RL 082.2477		
R94	RL 0,35W 47,5KOHM+-1%TK50 RESISTOR DRALORIC SMA/207/47,5K-F-C			RL 083.1800		
R95	RL 0,35W 47,5KOHM+-1%TK50 RESISTOR DRALORIC SMA/207/47,5K-F-C			RL 083.1800		
R96	RL 0,35W 475 KOHM+-1%TK50 RESISTOR DRALORIC SMA0207/475K-F-C			RL 083.2593		
R97	RL 0,35W 10,0KOHM+-1%TK50 RESISTOR DRALORIC SMA0207/10K-F-D			RL 083.1297		
R98	RL 0,35W 10,0KOHM+-1%TK50 RESISTOR DRALORIC SMA0207/10K-F-D			RL 083.1297		
R99	RL 0,35W 100KOHM+-1%TK50 RESISTOR DRALORIC SMA0207/100K-F-C			RL 082.1764		
R100	RL 0,35W 150 KOHM+-1%TK50 RESISTOR DRALORIC SMA/207/150K-F-C			RL 083.2129		
R101	RL 0,35W 1KOHM+-1%TK50 RESISTOR DRALORIC SMA0207/1K-F-C			RL 082.2160		
R102	RL 0,35W 100 OHM+-1%TK50 METALFILM-RESISTOR DRALORIC SMA0207/100/HM-F-D			RL 082.6543		
R103	RL 0,35W 475 OHM+-1%TK50 RESISTOR DRALORIC SMA0207/475OHM-F-D			RL 083.0390		
				342.5003	01 SA	BL14+

ROHDE&SCHWARZ	AZ	Datum Date	Schaltteilleiste für Parts list for	Sachnummer Stock Nr.	Blatt Page
	50	0787	EE SYNTHESIZER 2 SYNTHESIZER 2	342.5003.01 SA	15
Kennzeichen Component No.	Benennung/Beschreibung Designation		Sachnummer Stock No.	enthalten in contained in	
R104	RL 0,35W 1KOHM+-1%TK50 RESISTOR DRALORIC SMA0207/1K-F-C		RL 082.2160		
R105	RL 0,35W 150 KOHM+-1%TK50 RESISTOR DRALORIC SMA/207/150K-F-C		RL 083.2129		
R106	RL 0,35W 1KOHM+-1%TK50 RESISTOR DRALORIC SMA0207/1K-F-C		RL 082.2160		
R107	TRIMMWERT RL 0,35W 100 OHM+-1%TK50 METALFILM-RESISTOR DRALORIC SMA0207/100/HM-F-D		RL 082.6543		
R108	RL 0,35W 182 KOHM+-1%TK50 RESISTOR DRALORIC SMA0207/182K-F-C		RL 083.2193		
R109	RL 0,35W 182 KOHM+-1%TK50 RESISTOR DRALORIC SMA0207/182K-F-C		RL 083.2193		
R110	RL 0,35W 274 OHM+-1%TK50 RESISTOR DRALORIC SMA0207/274OHM-F-D		RL 083.0178		
R111	RL 0,35W 100 OHM+-1%TK50 METALFILM-RESISTOR DRALORIC SMA0207/100/HM-F-D		RL 082.6543		
R112	RL 0,35W 100 OHM+-1%TK50 METALFILM-RESISTOR DRALORIC SMA0207/100/HM-F-D		RL 082.6543		
R113	RL 0,35W 8,25KOHM+-1%TK50 RESISTOR DRALORIC SMA0207/8,25K-F-D		RL 083.1239		
R114	RL 0,35W 56,2 OHM+-1%TK50 RESISTOR DRALORIC SMA0207/56,2OHM-F-D		RL 082.9571		
R115	RL 0,35W 3,32KOHM+-1%TK50 RESISTOR DRALORIC SMA0207/3,32K-F-D		RL 083.0990		
R116	RL 0,35W 392 OHM+-1%TK50 RESISTOR DRALORIC SMA0207/392K-F-C		RL 082.2183		
R117	RL 0,35W 1KOHM+-1%TK50 RESISTOR DRALORIC SMA0207/1K-F-C		RL 082.2160		
R118	RL 0,35W 1KOHM+-1%TK50 RESISTOR DRALORIC SMA0207/1K-F-C		RL 082.2160		
R119	RL 0,35W 82,5KOHM+-1%TK50 RESISTOR DRALORIC SMA0207/82,5K-F-C		RL 082.2302		
R120	RL 0,35W 27,4KOHM+-1%TK50 RESISTOR DRALORIC SMA 0207/27,4K-F-C		RL 082.2583		
R121	RL 0,35W 27,4KOHM+-1%TK50 RESISTOR DRALORIC SMA 0207/27,4K-F-C		RL 082.2583		

ROHDE&SCHWARZ		AZ	Datum Date	Schaltteilleiste für Parts list for	Sachnummer Stock Nr.	Blatt Page
		50	0787	EE SYNTHESIZER 2 SYNTHESIZER 2	342.5003.01 SA	16
Kennzeichen Component No.	Benennung/Beschreibung Designation			Sachnummer Stock No.	enthalten in contained in	
R122	RL 0,35W 3,32KOHM+-1%TK50 RESISTOR DRALORIC SMA0207/3,32K-F-D			RL 083.0990		
R123	RL 0,35W 10,0KOHM+-1%TK50 RESISTOR DRALORIC SMA0207/10K-F-D			RL 083.1297		
R124	RL 0,35W 10,0KOHM+-1%TK50 RESISTOR DRALORIC SMA0207/10K-F-D			RL 083.1297		
R125	RL 0,35W 357 OHM+-1%TK50 RESISTOR DRALORIC SMA0207/357OHM-F-D			RL 083.0284		
R131	RL 0,35W 2,74KOHM+-1%TK50 RESISTOR DRALORIC SMA0207/2,74K-F-D			RL 083.0926		
R133	RL 0,35W 2,74KOHM+-1%TK50 RESISTOR DRALORIC SMA0207/2,74K-F-D			RL 083.0926		
R134	RL 0,35W 3,92KOHM+-1%TK50 RESISTOR RESISTA MK2			RL 083.1039		
R135	RL 0,35W 12,1KOHM+-1%TK50 RESISTOR DRALORIC SMA0207/12,1K-F-D			RL 083.1351		
R137	RL 0,35W 10,0 OHM+-1%TK50 RESISTOR DRALORIC SMA0207/10OHM-F-D			RL 082.8852		
R138	RL 0,35W 10,0KOHM+-1%TK50 RESISTOR DRALORIC SMA0207/10K-F-D			RL 083.1297		
R139	RL 0,35W 100KOHM+-1%TK50 RESISTOR DRALORIC SMA0207/100K-F-C			RL 082.1764		
R140	RL 0,35W 100 OHM+-1%TK50 METALFILM-RESISTOR DRALORIC SMA0207/100/HM-F-D			RL 082.6543		
R141	RL 0,35W 182 OHM+-1%TK50 RESISTOR DRALORIC SMA0207/182OHM-F-D			RL 083.0010		
R142	RL 0,35W 182 OHM+-1%TK50 RESISTOR DRALORIC SMA0207/182OHM-F-D			RL 083.0010		
R150	RL 0,35W 10,0 OHM+-1%TK50 RESISTOR DRALORIC SMA0207/10OHM-F-D			RL 082.8852		
R901	RS 0,5W50KOHM+-10%10X10X5 CERMET POTENTIOMETER T BOURNS 3386F-1-503			RS 247.7910		
T1	LU UEBERTRAGER TRANSFORMER			303.9499	342.4959	
T2	LU UEBERTRAGER TRANSFORMER			342.5049		
T3	LU UEBERTRAGER TRANSFORMER			303.9499	342.4959	
				342.5003.01 SA BL16+		

uns alle Rechte vor

ROHDE&SCHWARZ	AZ	Datum Date	Schaltteilliste für Parts list for	Sachnummer Stock Nr.	Blatt Page
	50	0787	EE SYNTHESIZER 2 SYNTHESIZER 2	342.5003.01 SA	17
Kennzeichen Component No.	Benennung/Beschreibung Designation		Sachnummer Stock No.	enthalten in contained in	
T4	LU UEBERTRAGER TRANSFORMER		303.9499	342.4959	
V1	AE BB909A 23/ 3PF CDI TUNING DIODE VALVO BB909A		342.9996		
V2	AE BB909A 23/ 3PF CDI TUNING DIODE VALVO BB909A		342.9996	342.5049	
V3	AE BB909A 23/ 3PF CDI TUNING DIODE VALVO BB909A		342.9996	342.5049	
V4	AE BB909A 23/ 3PF CDI TUNING DIODE VALVO BB909A		342.9996	342.5049	
V5	AE BB909A 23/ 3PF CDI TUNING DIODE VALVO BB909A		342.9996	342.5049	
V6	AE BB909A 23/ 3PF CDI TUNING DIODE VALVO BB909A		342.9996	342.5049	
V7	AE BB909A 23/ 3PF CDI TUNING DIODE VALVO BB909A		342.9996	342.5049	
V8	AE BB405B 11/ 2PF CDI TUNING DIODE VALVO BB405B		AE 596.6839		
V10	AK 2N2907A PNP 60V 600MA TRANSISTOR VALVO 2N2907A		AK 010.3583		
V11	AK BFR90 NPN 15V 25MA TRANSISTOR VALVO BFR90		236.9139		
V12	AK 2N2907A PNP 60V 600MA TRANSISTOR VALVO 2N2907A		AK 010.3583		
V13	AK BFR90 NPN 15V 25MA TRANSISTOR VALVO BFR90		236.9139		
V14	2N4856A SELECTIERT		342.4888		
V15	AD 1N4531 75V 0,15A UDI DIODE UNITRODE 1N4531		AD 082.6514		
V16	AD 1N4531 75V 0,15A UDI DIODE UNITRODE 1N4531		AD 082.6514		
V17	AD 1N4531 75V 0,15A UDI DIODE UNITRODE 1N4531		AD 082.6514		
V18	AD 1N4531 75V 0,15A UDI DIODE UNITRODE 1N4531		AD 082.6514		
BIS/TO V27 V28	AK 2N2222A NPN 40V 800MA TRANSISTOR VALVO 2N2222A		AK 010.5405		

ROHDE&SCHWARZ	AZ 50	Datum Date 0787	Schalttailliste für Parts list for EE SYNTHESIZER 2 SYNTHESIZER 2	Sachnummer Stock Nr. 342.5003.01 SA	Blatt Page 18
Kennzeichen Component No.	Benennung/Beschreibung Designation		Sachnummer Stock No.	enthalten in contained in	
V29	AD 1N4531 75V 0,15A UDI DIODE		AD 082.6514		
V30	UNITRODE 1N4531 AD 1N4531 75V 0,15A UDI DIODE		AD 082.6514		
V31	UNITRODE 1N4531 AK BFY90 NPN 15V 25MA TRANSISTOR		AK 010.4550		
V32	VALVO BFY90 AD 1N4531 75V 0,15A UDI DIODE		AD 082.6514		
	UNITRODE 1N4531				
BIS/TO V40					
V41	AK 2N2222A NPN 40V 800MA TRANSISTOR		AK 010.5405		
V42	VALVO 2N2222A AM 2N4856A NKAN 40V FET		262.4082		
V50	FET VALVO 2N4856A AE BB105B 17/ 2PF CDI TUNING DIODE		AE 012.6167		
V51	VALVO BB105B AM BF247A NKAN 25V FET		AM 247.6536		
V52	FET VALVO BF247A AM U310 NKAN 25V FET		AM 454.6217		
V53	FET SILICONIX U310 AM BF247A NKAN 25V FET		AM 247.6536		
V54	FET VALVO BF247A AM 3N204 N-DUAL-G.MOSF MOS-FET		AM 204.1910		
V55	RCA 3N204 AK BFY90 NPN 15V 25MA TRANSISTOR		AK 010.4550		
V56	VALVO BFY90 AD 1N4531 75V 0,15A UDI DIODE		AD 082.6514		
V57	UNITRODE 1N4531 AD 1N4531 75V 0,15A UDI DIODE		AD 082.6514		
V58	UNITRODE 1N4531 AK BC337-40 NPN 45V 800MA TRANSISTOR		303.9524		
X2	INTERMETAL BC337-40 FP KURZSCHLUSSBUCHSE SHORTING PLUG		FP 491.7042		
X4	PK 452-70302 FP KURZSCHLUSSBUCHSE SHORTING PLUG		FP 491.7042		
X20	PK 452-70302 VL WIRE-WRAP PIN WIRE-WRAP PIN		VL 088.4542		
	BERG NR. 75 403-003				

ROHDE&SCHWARZ	AZ	Datum Date	Schaltteilliste für Parts list for EE SYNTHESIZER 2 SYNTHESIZER 2	Sachnummer Stock Nr.	Blatt Page
	50	0787		342.5003.01 SA	19
Kennzeichen Component No.	Benennung/Beschreibung Designation		Sachnummer Stock No.	enthalten in contained in	
X21	FP KURZSCHLUSSBUCHSE SHORTING PLUG PK 452-70302		FP 491.7042		
X22	VL WIRE-WRAP PIN WIRE-WRAP PIN BERG NR. 75 403-003		VL 088.4542		
X23	FP KURZSCHLUSSBUCHSE SHORTING PLUG PK 452-70302		FP 491.7042		
X24	VL WIRE-WRAP PIN WIRE-WRAP PIN BERG NR. 75 403-003		VL 088.4542		
X25	FP KURZSCHLUSSBUCHSE SHORTING PLUG PK 452-70302		FP 491.7042		
X141	FP STECKERL.INDIR.64POLIG 64-PIN INSERT PANDUIT 100-064-033/999		FP 084.6470		
X142	FJ EINBAUWINKELST. SMC NUR VAR : 02 33 ANGLE CONNECTOR RADIALL R 112 669		FJ 249.9684		
X142	FJ EINBAUSTECKER SYST.SMB NUR VAR : 12 43 ANGLE CONNECTOR ROSENBERG R&S-ZCHNG.602.8804		FJ 602.8804		
X144	FJ EINBAUWINKELST. SMC NUR VAR : 02 33 ANGLE CONNECTOR RADIALL R 112 669		FJ 249.9684		
X144	FJ EINBAUSTECKER SYST.SMB NUR VAR : 12 43 ANGLE CONNECTOR ROSENBERG R&S-ZCHNG.602.8804		FJ 602.8804		
X145	FJ EINBAUWINKELST. SMC NUR VAR : 02 33 ANGLE CONNECTOR RADIALL R 112 669		FJ 249.9684		
X145	FJ EINBAUSTECKER SYST.SMB NUR VAR : 12 43 ANGLE CONNECTOR ROSENBERG R&S-ZCHNG.602.8804		FJ 602.8804		
X146	FJ EINBAUWINKELST. SMC NUR VAR : 02 33 ANGLE CONNECTOR RADIALL R 112 669		FJ 249.9684		
X146	FJ EINBAUSTECKER SYST.SMB NUR VAR : 12 43 ANGLE CONNECTOR ROSENBERG R&S-ZCHNG.602.8804		FJ 602.8804		
X1/A	VL WIRE-WRAP PIN WIRE-WRAP PIN BERG NR. 75 403-003		VL 088.4542		
X1/B	VL WIRE-WRAP PIN WIRE-WRAP PIN BERG NR. 75 403-003		VL 088.4542		

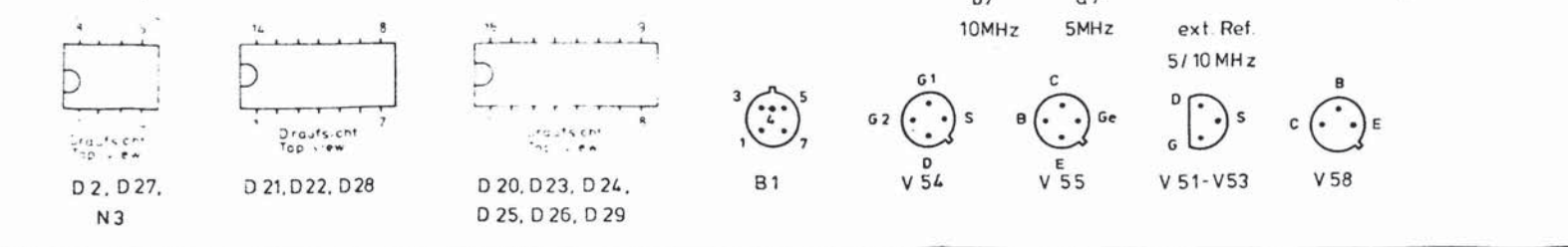
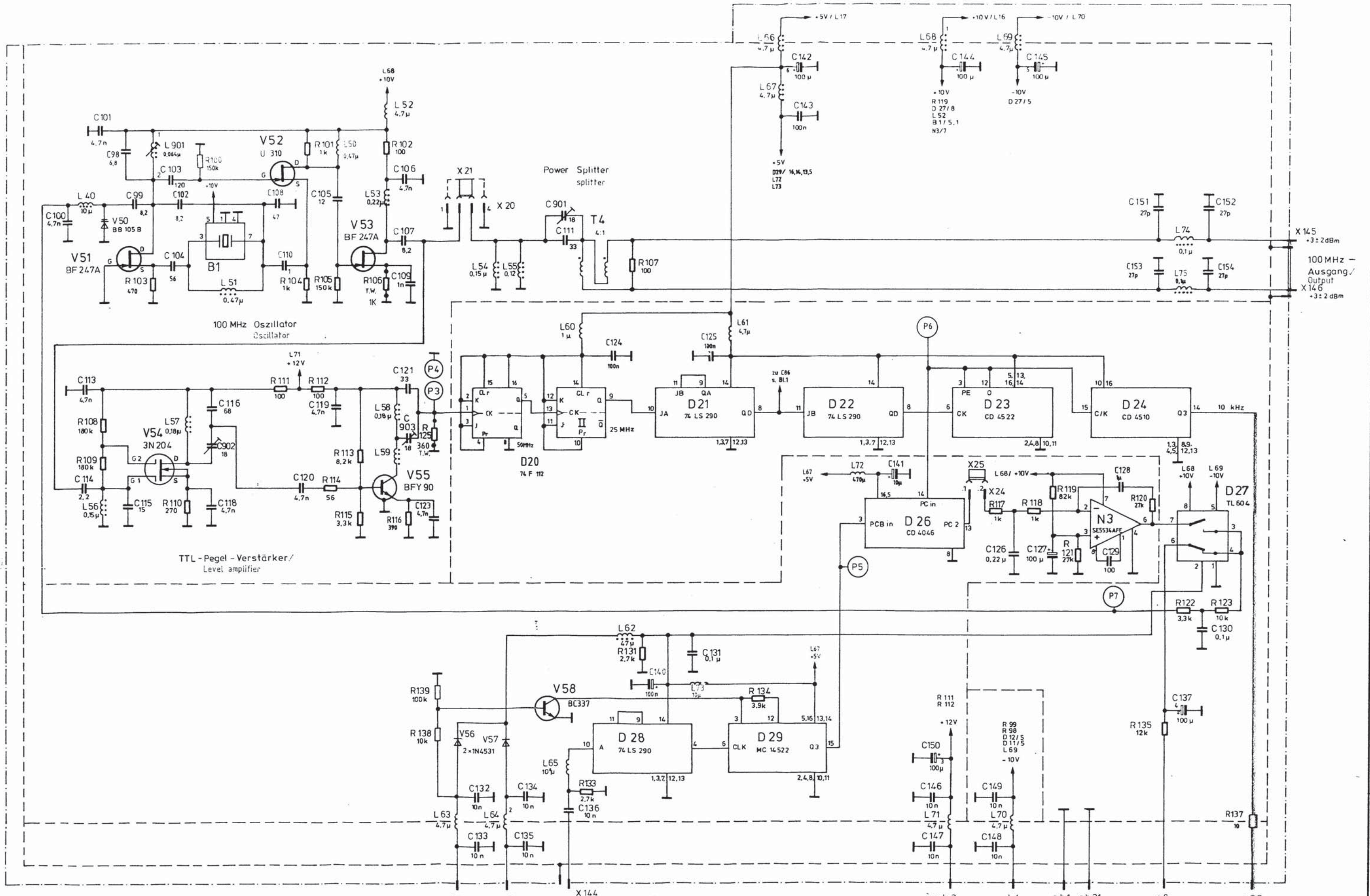
ROHDE&SCHWARZ	AZ 50	Datum Date 0787	Schaltteilliste für Parts list for EE SYNTHESIZER 2 SYNTHESIZER 2	Sachnummer Stock Nr. 342.5003.01 SA	Blatt Page 20
Kennzeichen Component No.	Benennung/Beschreibung Designation		Sachnummer Stock No.	enthalten in contained in	
X3/A	VL WIRE-WRAP PIN WIRE-WRAP PIN BERG NR. 75 403-003		VL 088.4542		
X3/B	VL WIRE-WRAP PIN WIRE-WRAP PIN BERG NR. 75 403-003		VL 088.4542	- ENDE -	

Name	Datum	Änderung	Änderung
RB	85		
Rb	87		
Rb	87		
Rb	87		

Diese Zeichnung ist unser Eigentum. Vervielfältigung, Verbreitung, Weiterverbreitung, Nachdruck, Verbreitung und sonstiger Gebrauch ist ohne schriftliche Genehmigung der Rohde & Schwarz AG.

Name	Datum	Änderung	Änderung
SWWIG	02.81		
Sy	05.81		
NL	07.82		
NL	08.84		
NL	12.84		
NL	02.85		

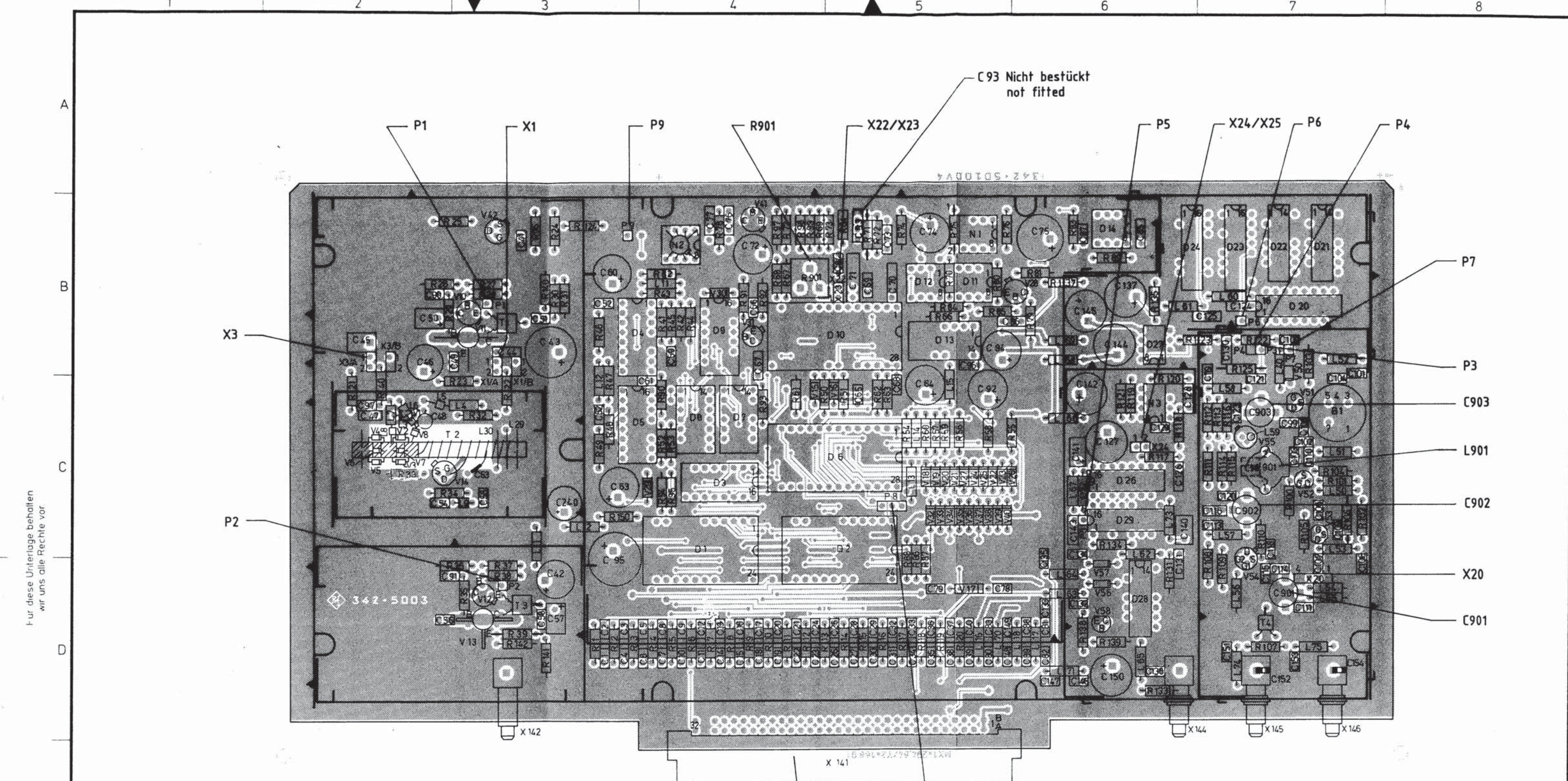
ROHDE & SCHWARZ MÜNCHEN



VERKLEINERUNG

Stromlauf zu
 Synthesizer 2

Z	Zeichn. Nr. 342.5003 S Bl. 2	
	342.4020 V	342.4020

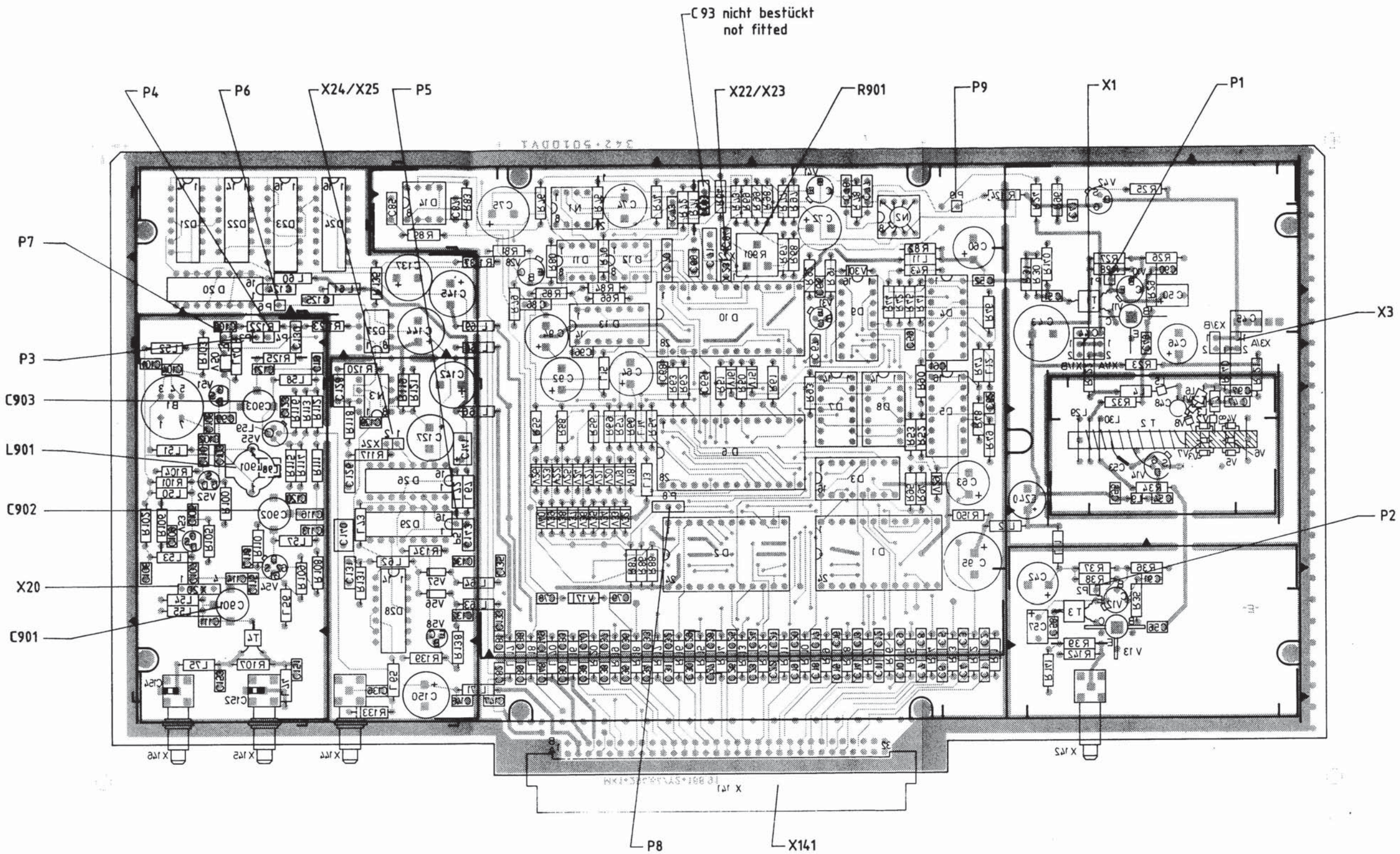


Ansicht und Leitungsführung Bauteilseite
View of tracks on component side

Für diese Unterlage behalten wir uns alle Rechte vor

O	31 518	04.84	NL	Masse ohne Toleranzangabe	Maßstab	2 : 1	
P	31518	11.84	NL		Herstellung		
Q	31518	02.85	NL				
R	37975	03.87	Rb				
				1GMG	Tab	Name	Herstellung
				Best	04.84	NL	Synthesizer 2
				ROHDE & SCHWARZ			342.5003
				ESV	342.4020 V		2
						342.4020	

Für diese Unterlage behalten wir uns alle Rechte vor



Ansicht und Leitungsführung Lötseite
View of tracks on solder side

O	31 518	04.84	NL	Mafie ohne Toleranzangabe	Maßstab 2 : 1	Handzeich. Wert	Z
P	31 518	11.84	NL				
Q	31518	02.85	NL				
R	37975	03.87	Rb				
1GMG 04.84 NL				Synthesizer 2		Z	
ROHDE & SCHWARZ ESV				342.5003 342.4020 V		3	