

Agilent Technologies 8560 E-Series and EC-Series Spectrum Analyzers Component-Level Information

HP Part Number 5967-8582

Table of Contents

Reference Designator	Description	HP Part Number
N/A	General CLIP Information	5958-7060
A1A1	Keyboard (E-Series)	08562-60140
A1A1	Keyboard (EC-Series)	08563-60162
A2	Controller (EC-Series)	08563-60172
A2	Controller (E-Series)	08564-60025
A3	Interface	08563-60098
A4	Log Amplifier/Cal Oscillator	08563-60103
A5	IF Filter	08563-60123
A6	Power Supply	08564-60031
A6A2	Power Supply Regulator	08564-60030
A14	Frequency Control (8561)	08561-60055
A14	Frequency Control (8560)	08563-60088
A14	Frequency Control (8562/8563)	08563-60135
A14	Frequency Control (8564/8565)	08564-60029
A15	RF	08563-60132
A15	RF (Option 103)	08563-60133
A15	RF (SIG ID)	08563-60134
A16	FADC	08563-60030
A17	CRT Driver	08563-60122
A17	LCD Driver	08563-60161
A19	HP-IB	08562-60042

Printed July 2000

Component-Level Information Packet

General CLIP Information



HP Part No. 5958-7060
Printed in USA November 1992

Notice. The information contained in this document is subject to change without notice.

Hewlett-Packard makes no warranty of any kind with regard to this material, including, but not limited to, the implied warranties of merchantability and fitness for a particular purpose. Hewlett-Packard shall not be liable for errors contained herein or for incidental or consequential damages in connection with the furnishing, performance, or use of this material.

©Copyright Hewlett-Packard Company 1990, 1991, 1992
All Rights Reserved. Reproduction, adaptation, or translation without prior written permission is prohibited, except as allowed under the copyright laws.

DIGITALY REMASTERED
OUT OF PRINT
HEWLETT PACKARD MANUAL SCANS

By

Artek Media

18265 200th St.
Welch, MN 55089

www.artekmedia.com

“High resolution scans of obsolete technical manuals”

ALL HEWLETT PACKARD MANAULS ARE REPRODUCED BY PERMISSION AND UNDER LICENSE AGREEMENT WITH AGILENT TECHNOLOGIES, INC. REMOVAL OF THIS DISCLAIMER IS INVIOATION OF AGILENT TECHNOLOGIES AND ARTEK MEDIA’S COPYRIGHTS. DUPLICATION OR MODIFCATION OF THIS DIGITAL DOCUMENT WITHOUT PRIOR CONSENT IS NOT PERMITTED

If your looking for a quality scanned technical manual in PDF format please visit our WEB site at www.artekmedia.com or drop us an email at manuals@artekmedia.com and we will be happy to email you a current list of the manuals we have available.

If you don't see the manual you need on the list drop us a line anyway we may still be able to point you to other sources. If you have an existing manual you would like scanned please write for details. This can often be done very reasonably in consideration for adding your manual to our library.

Typically the scans in our manuals are done as follows;

- 1) Typed text pages are typically scanned in black and white at 300 dpi.
- 2) Photo pages are typically scanned in gray scale mode at 600 dpi
- 3) Schematic diagram pages are typically scanned in black and white at 600 dpi unless the original manual had colored high lighting (as is the case for some 70's vintage Tektronix manuals).
- 4) Most manuals are text searchable
- 5) All manuals are fully bookmarked

All data is guaranteed for life (yours or mine ... which ever is shorter). If for ANY REASON your file becomes corrupted, deleted or lost, Artek Media will replace the file for the price of shipping, or free via FTP download.

Thanks

Dave & Lynn Henderson
Artek Media

General CLIP Information

Component-Level Information Packets (CLIPs) provide information for selected, repairable instrument assemblies. Each CLIP contains a parts list, component-location diagram, and schematic diagram. Each CLIP has an HP part number, which is changed whenever the HP part number for its related instrument assembly is changed.

Updated or replacement CLIPs may be ordered through your local Hewlett-Packard Sales or Service office. Use the CLIP part number provided in Table A-1 of the Service Manual for the instrument documented by this CLIP set.

The information included in this “General CLIP Information” packet is listed below.

- Table 1 provides a guide to reference designations, abbreviations, and multipliers used in the “Description” column of the parts lists.
- Table 2 lists manufacturer codes used in the “Mfr Code” column of the parts lists, along with the names of the manufacturers they represent.
- Figure 1 provides a guide to graphics symbols used on schematic and block diagrams.
- Foldout 1 is an illustration of the general layout of schematic and block diagrams.

Table 1. Reference Designations, Abbreviations, and Multipliers (1 of 4)

REFERENCE DESIGNATIONS			
A	Assembly	F	Fuse
AT	Attenuator, Isolator, Limiter, Termination	FL	Filter
B	Fan, Motor	HY	Circulator
BT	Battery	J	Electrical Connector (Stationary Portion), Jack
C	Capacitor	K	Relay
CP	Coupler	L	Coil, Inductor
CR	Diode, Diode Thyristor, Step Recovery Diode, Varactor	M	Meter
DC	Directional Coupler	MP	Miscellaneous Mechanical Part
DL	Delay Line	P	Electrical Connector (Movable Portion), Plug
DS	Annunciator, Lamp, Light Emitting Diode (LED), Signaling Device (Visible)	Q	Silicon Controlled Rectifier (SCR), Transistor, Triode Thyristor
E	Miscellaneous Electrical Part	R	Resistor
RT	Thermistor		
S	Switch		
T	Transformer		
TB	Terminal Board		
TC	Thermocouple		
TP	Test Point		
U	Integrated Circuit, Microcircuit		
V	Electron Tube		
VR	Breakdown Diode (Zener), Voltage Regulator		
W	Cable, Wire, Jumper		
X	Socket		
Y	Crystal Unit (Piezoelectric, Quartz)		
Z	Tuned Cavity, Tuned Circuit		
ABBREVIATIONS			
A		BSC	Basic
A	Across Flats, Acrylic, Air (Dry Method), Ampere	BTN	Button
ADJ	Adjust, Adjustment	C	
ANSI	American National Standards Institute (formerly USASI-ASA)	C	Capacitance, Capacitor, Center Tapped, Cermet, Cold, Compression
ASSY	Assembly	CCP	Carbon Composition Plastic
AWG	American Wire Gage	CD	Cadmium, Card, Cord
B		CER	Ceramic
BCD	Binary Coded Decimal	CHAM	Chamfer
BD	Board, Bundle	CHAR	Character, Characteristic, Charcoal
BE-CU	Beryllium Copper	CMOS	Complementary Metal Oxide Semiconductor
BNC	Type of Connector		
BRG	Bearing, Boring		
BRS	Brass		
		CNDCT	Conducting, Conductive, Conductivity, Conductor
		CONT	Contact, Continuous, Control, Controller
		CONV	Converter
		CPRSN	Co mpression
		CUP-PT	Cup Point
		CW	Clockwise, Continuous Wave
		D	
		D	Deep, Depletion, Depth, Diameter, Direct Current
		DA	Darlington

2 General CLIP Information

Table 1. Reference Designations, Abbreviations, and Multipliers (2 of 4)

ABBREVIATIONS					
DAP-GL	Diallyl Phthalate Glass	FT	Current Gain Bandwidth Product (Transition Frequency), Feet, Foot	JFET	Junction Field Effect Transistor
DBL	Double			K	
DCDR	Decoder				
DEG	Degree				
D-HOLE	D-Shaped Hole	FXD	Fixed	K	Kelvin, Key, Kilo, Potassium
DIA	Diameter				
DIP	Dual In-Line Package	G		KNRLD	Knurled
DIP-SLDR	Dip Solder			KVDC	Kilovolts Direct Current
D-MODE	Depletion Mode	GEN	General, Generator		
DO	Package Type Designation	GND	Ground		
DP	Deep, Depth, Dia- metric Pitch, Dip	GP	General Purpose, Group	L	
DP3T	Double Pole Three Throw	H		LED	Light Emitting Diode
DPDT	Double Pole Double Throw	H	Henry, High	LG	Length, Long
DWL	Dowell	HDW	Hardware	LIN	Linear, Linearity
	E	HEX	Hexadecimal, Hexagon, Hexagonal	LK	Link, Lock
E-R	E-Ring	HLCL	Helical	LKG	Leakage, Locking
EXT	Extended, Extension, External, Extinguish	HP	Hewlett-Packard Company, High Pass	LUM	Luminous
	F	I			
F	Fahrenheit, Farad, Female, Film (Resistor), Fixed, Flange, Frequency	IC	Collector Current, Integrated Circuit	M	Male, Maximum, Mega, Mil, Milli, Mode
FC	Carbon Film/ Composition, Edge of Cutoff Frequency, Face	ID	Identification, Inside Diameter	MA	Milliampere
FDTHRU	Feedthrough	IF	Forward Current, Intermediate Frequency	MACH	Machined
FEM	Female	IN	Inch	MAX	Maximum
FIL-HD	Fillister Head	INCL	Including	MC	Molded Carbon Composition
FL	Flash, Flat, Fluid	INT	Integral, Intensity, Internal	MET	Metal, Metallized
FLAT-PT	Flat Point			MHZ	Megahertz
FR	Front	J		MINTR	Miniature
FREQ	Frequency	J-FET	Junction Field Effect Transistor	MIT	Miter
				MLD	Mold, Molded
				MM	Magnetized Material, Millimeter
				MOM	Momentary
				MTG	Mounting
				MTLC	Metallic
				MW	Milliwatt

Table 1. Reference Designations, Abbreviations, and Multipliers (3 of 4)

ABBREVIATIONS					
	N	PLSTC	Plastic	SMA	Subminiature, A Type (Threaded Connector)
N	Nano, None	PNL	Panel		
N-CHAN	N-Channel	PNP	Positive Negative Positive (Transistor)	SMB	Subminiature, B Type (Slip-on Connector)
NH	Nanohenry	POLYC	Polycarbonate		
NM	Nanometer, Nonmetallic	POLYE	Polyester	SMC	Subminiature, C-Type (Threaded Connector)
NO	Normally Open, Number	POT	Potentiometer		
NOM	Nominal	POZI	Pozidriv Recess	SPCG	Spacing
NPN	Negative Positive Negative (Transistor)	PREC	Precision	SPDT	Single Pole Double Throw
NS	Nanosecond, Non-Shorting, Nose	PRP	Purple, Purpose	SPST	Single Pole Single Throw
NUM	Numeric	PSTN	Piston		
NYL	Nylon (Polyamide)	PT	Part, Point, Pulse Time	SQ	Square
	O	PW	Pulse Width	SST	Stainless Steel
			Q	STL	Steel
OA	Over-All		Q	SUBMIN	Subminiature
OD	Outside Diameter			SZ	Size
OP AMP	Operational Amplifier		R		T
OPT	Optical, Option, Optional	R	Range, Red, Resistance, Resistor, Right, Ring	T	Teeth, Temperature, Thickness, Time, Timed, Tooth, Typical
	P	REF	Reference	TA	Ambient Temperature, Tantalum
PA	Picoampere, Power Amplifier	RES	Resistance, Resistor	TC	Temperature Coefficient
PAN-HD	Pan Head	RF	Radio Frequency	THD	Thread, Threaded
PAR	Parallel, Parity	RGD	Rigid	THK	Thick
PB	Lead (Metal), Pushbutton	RND	Round	TO	Package Type Designation
PC	Printed Circuit	RR	Rear	TPG	Tapping
PCB	Printed Circuit Board	RVT	Rivet, Riveted	TR-HD	Truss Head
P-CHAN	P-Channel		S	TRMR	Trimmer
PD	Pad, Power Dissipation	SAWR	Surface Acoustic Wave Resonator	TRN	Turn, Turns
PF	Picofarad, Power Factor	SEG	Segment	TRSN	Torsion
PKG	Package	SGL	Single		
		SI	Silicon, Square Inch		
		SL	Slide, Slow		
		SLT	Slot, Slotted		

4 General CLIP Information

Table 1. Reference Designations, Abbreviations, and Multipliers (4 of 4)

ABBREVIATIONS					
U		VAR	Variable	Y	
UCD	Microcandela	VDC	Volts—Direct Current	YIG	Yttrium-Iron-Garnet
UF	Microfarad	W			
UH	Microhenry	W	Watt, Wattage, White, Wide, Width	Z	
UL	Microliter, Underwriters' Laboratories, Inc.	W/SW	With Switch	ZNR	Zener
UNHDND	Unhardened	WW	Wire Wound		
V		X			
V	Variable, Violet, Volt, Voltage	X	By (Used with Dimensions), Reactance		
VAC	Vacuum, Volts— Alternating Current				

MULTIPLIERS					
Abbreviation	Prefix	Multiple	Abbreviation	Prefix	Multiple
T	tera	10 ¹²	m	milli	10 ⁻³
G	giga	10 ⁹	μ	micro	10 ⁻⁶
M	mega	10 ⁶	n	nano	10 ⁻⁹
k	kilo	10 ³	p	pico	10 ⁻¹²
da	deka	10 ²	f	femto	10 ⁻¹⁵
d	deci	10 ⁻¹	a	atto	10 ⁻¹⁸
c	centi	10 ⁻²			

Table 2. Manufacturers Code List

Mfr Code	Manufacturer Name	Address	Country	ZIP Code
00039	NEC ELECTRONICS INC	MTN VIEW, CA	US	94043
00046	UNITRODE CORP	LEXINGTON, MA	US	02173
00075	ARIZONA COIL INC	NOGALES, AZ	US	85621
00273	STILLWATER MFG CO	EAST FREEDOM, MA	US	02717
00278	MCCOY ELECTRONICS CO	HOLLY SPRINGS, PA	US	17065
00350	EXAR INTEGRATED SYSTEMS INC	SUNNYVALE, CA	US	94086
00466	NORELCO NORTH AMER PHILIPS LTG CORP	LOS ANGELES, CA	US	90021
00493	UNITED CHEMI-CON INC	COMPTON, CA	US	90220
00746	ROHM CORP	IRVINE, CA	US	92713
00779	NICHICON (AMERICA) CORP	SCHAUMBERG, IL	US	60195
00830	KYOCERA INTERNATIONAL INC	SAN DIEGO, CA	US	
00901	UNION CARBIDE CORP	DANBURY, CT	US	06810
01064	SCHAAL BROS INC	BERTHOUD, CO	US	80513
01074	HOLSWORTHY ELECTRONICS LTD	HOLSWORTHY	EG	
01128	RES-NET CORP	WHIPPANY, NJ	US	07981
01131	WESTERN THERMISTOR CORP	OCEANSIDE, CA	US	92054
01136	ELCO INDUSTRIES INC	ROCKFORD, IL	US	61125
01172	R C D COMPONENTS INC	BEDFORD, NH	US	03102
01185	MAGNET WIRE CORP	NEW YORK, NY	US	10013
01230	AEROVOX CORP	NEW BEDFORD, MA	US	02741
01250	GTE SYLVANIA ELEK COMPONENTS GROUP	WALTHAM, MA	US	02154
01339	GETTIG ENGRG & MFG CO INC	SPRING MILLS, PA	US	16875
01380	AMP INC	HARRISBURG, PA	US	17111
01409	CROVEN CRYSTALS	WHITBY	CN	LIN 5
01417	NEL FREQUENCY CONTROLS INC	BURLINGTON, WI	US	53105
01452	SANGAMO WESTON INC	NORCROSS, GA	US	30071
01461	GOE ENGINEERING CO INC	ONTARIO, CA	US	91761
01468	STETTNER & CO	LAUF	GM	D-856
01478	BOYD CORP	PLEASANTON, CA	US	94566
01542	HP DIV 01 SAN JOSE COMPONENTS	SAN JOSE, CA	US	95131
01590	PLESSEY SEMICONDUCTORS	SANTA ANA, CA	US	92705
01607	ALLEN-BRADLEY CO INC	EL PASO, TX	US	79935
01688	MURATA CORPORATION OF AMERICA	MARIETTA, GA	US	30067
01691	TRW INC SEMICONDUCTOR DIV	LAWNDALE, CA	US	90260
01698	TEXAS INSTRUMENTS INC	DALLAS, TX	US	75265
01708	JUBULATION	SANTA CRUZ, CA	US	95060
01736	ALLIED ELECTRONICS CORP	CHICAGO, IL	US	60612
01760	MATSUO ELECTRONICS OF AMERICA	HUNTINGTON BEACH, CA	US	90245
01795	SYNERTEK	SANTA CLARA, CA	US	95051
01850	AROMAT CORP	MOUNTAINSIDE, NJ	US	07092
01854	RCL ELECTRONICS INC	NORTHBROOK, IL	US	60062
01869	PULSE ENGINEERING INC	SAN DIEGO, CA	US	92111
01876	HP DIV 02 SCD IC'S	SANTA CLARA, CA	US	95050
01885	HAMILTON STANDARD CONTROLS INC	WINDWOR LOCKS, CT	US	06096
01886	COILCRAFT INC	CARY, IL	US	60013
01887	FERROXCUBE CORP	SAUGERTIES, NY	US	12477

6 General CLIP Information

Table 2. Manufacturers Code List (continued)

Mfr Code	Manufacturer Name	Address	Country	ZIP Code
01898	HI-G CO INC	HARTFORD, CT	US	06114
01916	BUNKER RAMO CORP AMPHENOL CONN DIV	BROADVILLE, IL	US	60153
01921	RCA CORP	NEW YORK, NY	US	10112
01923	NYLOGRIP PRODUCTS	WALTHAM, MA	US	02154
01924	ITW FASTEX	DES PLAINES, IL	US	60016
01939	ELPAC INC COMPONENTS DIV	IRVINE, CA	US	92664
01943	HP DIV 04 SPD CABLES 64	PALO ALTO, CA	US	94304
01953	HP DIV 04 SPD MOLDING 91	PALO ALTO, CA	US	94304
01973	GE CO SEMICONDUCTOR PROD DEPT	AUBURN, NY	US	13201
01991	TRANSITRON ELECTRONIC CORP	WAKEFIELD, MA	US	01880
01992	KDI PYROFILM CORP	WHIPPANY, NJ	US	07981
01993	MARKEL CORP	NORRISTOWN, PA	US	19404
02010	AVX CORP	GREAT NECK, NY	US	11021
02030	NATIONAL WIRE & CABLE CO INC	LOS ANGELES, CA	US	90031
02037	MOTOROLA INC	ROSELLE, IL	US	60195
02038	UNICORP	ORANGE, NJ	US	07050
02062	HP DIV 05 MSD	SAN JOSE, CA	US	94304
02086	WESTINGHOUSE ELEC CORP SEMICON DEPT	YOUNGWOOD, PA	US	15697
02091	ULTRONIX INC	GRAND JUNCTION, CO	US	81501
02123	EG & G INC	WELLESLEY, MA	US	02181
02139	MEPCO/ELECTRA INC	MORRISTOWN, NJ	US	07960
02145	RAYCHEM CORP	MENLO PARK, CA	US	94025
02160	PANDUIT CORP	TINLEY PARK, IL	US	60477
02170	AMATOM ELEK HARDWARE DIV OF MITE	NEW ROCHELLE, NY	US	06515
02172	JEFFERS ELECTRONICS INC	NOGALES, AZ	US	85621
02180	PRECISION MONOLITHICS INC	SANTA CLARA, CA	US	95054
02191	CORNING COMPONENTS INC	CORNING, NY	US	14830
02194	ROBINSON NUGENT INC	NEW ALBANY, IN	US	47150
02210	MILTON ROSS CO	SOUTHAMPTON, PA	US	18966
02215	KELVIN ELECTRIC CO	VAN NUYS, CA	US	91401
02236	SILICON TRANSISTOR CORP	CHELMSFORD, MA	US	11530
02237	FAIRCHILD SEMICONDUCTOR CORP	CUPERTINO, CA	US	95014
02273	TRW INC BURLINGTON DIV	BURLINGTON, IA	US	52601
02290	RAYTHEON CO SEMICONDUCTOR DIV HQ	MOUNTAIN VIEW, CA	US	94040
02296	HP DIV 08 COLO SPRGS	COLORADO SPRGS, CO	US	80907
02344	GE CO MINIATURE LAMP PROD DEPT	CLEVELAND, OH	US	44112
02362	HP DIV 09 LID COMPONENTS	LOVELAND, CO	US	80537
02363	HP DIV C5 COLORADO IC	FT COLLINS, CO	US	80525
02366	KOA SPEER ELECTRONICS INC	BRADFORD, PA	US	16701
02367	CORNELL-DUBILIER/SANGAMO	WAYNE, NJ	US	07470
02379	TEXAS CAPACITOR CO INC	HOUSTON, TX	US	77036
02392	C & K COMPONENTS INC	NEWTON, MA	US	02158
02408	DIXON INDUSTRIES CORPORATION	BRISTOL, RI	US	02809
02414	BURNDY CORP	NORWALK, CT	US	06856
02415	DALE ELECTRONICS INC	YANKTON, SD	US	57078
02440	THOMPSON BREMER DIV VARE	CHICAGO, IL	US	60622

Table 2. Manufacturers Code List (continued)

Mfr Code	Manufacturer Name	Address	Country	ZIP Code
02465	ANILLO INDUSTRIES INC	ORANGE, CA	US	92667
02483	CTS CORP	ELKHART, IN	US	46514
02484	CTS CORP PASO ROBLES	PASO ROBLES, CA	US	93446
02499	IRC INC	BOONE, NC	US	28607
02501	TELEDYNE INDUSTRIES INC	LOS ANGELES, CA	US	90067
02556	MONTROSE PRODUCTS CO	AUBURN, MA	US	01501
02567	OMTRONICS MFG INC	OMAHA, NE	US	68105
02569	CRYSTALONICS, DIV TELEDYNE	CAMBRIDGE, MA	US	02140
02572	TELEDYNE THERMATICS	ELM CITY, NC	US	27822
02574	RLC ELECTRONICS INS	MT KISCO, NY	US	10549
02577	HAMLIN INC	LAKE MILLS, WI	US	53551
02582	CLAROSTAT MFG CO INC	DOVER, NH	US	03820
02598	UNITRODE CORP	WATERTOWN, MA	US	02172
02603	NATIONAL WIRE & STAMPING INC	ENGLEWOOD, CO	US	80110
02608	THERMALLOY INC	DALLAS, TX	US	75234
02619	SOLITRON DEVICES INC (DIODES)	TAPPAN, NY	US	10983
02634	SPRAGUE ELECTRIC SEMICON DIV	CONCORD, NH	US	03301
02664	SEMTECH CORP	NEWBURY PARK, CA	US	91320
02668	EDISON ELEK DIV MCGRAW-EDISON	MANCHESTER, NH	US	03130
02675	AMERICAN COMPONENTS INC	CONSHOHOCKEN, PA	US	19428
02682	ITT SEMICONDUCTORS DIV	TUSTIN, CA	US	92680
02685	LOBAUGH ROLLIN J	SOUTH SAN FRANC, CA	US	94080
02686	WATKINS-JOHNSON CO	PALO ALTO, CA	US	94304
02688	MICROSEMI CORP	SCOTSDALE, AZ	US	85252
02696	CORNING GLASS WORKS ELEK PROD DIV	CORNING, NY	US	14830
02706	WARD LEONARD HAGERSTOWN DIV	HAGERSTOWN, MD	US	21740
02713	GENERAL INSTRUMENT CORP (DIODE)	HICKSVILLE, NY	US	11802
02718	VALOR ELECTRONICS INC	SANTA ANA, CA	US	92705
02734	AMETEK INC RODAN DIV	ANAHEIM, CA	US	92806
02739	MINI-CIRCUITS LAB	BROOKLYN, NY	US	11235
02744	ELEC-TROL INC	SAUGUS, CA	US	91350
02761	FENWAL ELECTRONICS INC	SADDLE BROOK, NJ	US	07662
02763	TELEDYNE SEMICONDUCTOR	MOUNTAIN VIEW, CA	US	94043
02771	ANSLEY ELECTRIC	LOS ANGELES, CA	US	90032
02788	M/A-COM INC	BURLINGTON, MA	US	01803
02798	CORNING ELECTRONICS	RALEIGH, NC	US	27604
02803	CODI SEMICONDUCTOR	LINDEN, NJ	US	07410
02805	COOPER INDUSTRIES INC	HOUSTON, TX	US	77210
02813	U S CAPACITOR CORP	BURBANK, CA	US	91504
02826	DENNISON MFG CO	FRAMINGHAM, MA	US	01701
02856	MOHAWK SPRING CO INC	ARLINGTON HEIGH, IL	US	60008
02865	ALPHA INDUSTRIES INC	WOBURN, MA	US	01801
02877	ANGSTROHM PRECISION INC	VAN NUYS, CA	US	91405
02883	SILICONIX INC	SANTA CLARA, CA	US	95054
02910	SIGNETICS CORP	SUNNYVALE, CA	US	94086
02923	CHOMERICS INC	WOBURN, MA	US	01801

8 General CLIP Information

Table 2. Manufacturers Code List (continued)

Mfr Code	Manufacturer Name	Address	Country	ZIP Code
02928	VISHAY INTERTECHNOLOGY INC	MALVERN, PA	US	19355
02937	VOLTRONICS CORP	HANOVER, NJ	US	07936
02946	DUPONT E I DE NEMOURS & CO	WILMINGTON, DE	US	19801
02995	MEPCO/CENTRALAB INC	RIVIERA, FL	US	33404
03038	INTL RECTIFIER CORP	LOS ANGELES, CA	US	90069
03122	EMCON DIV ITW	SAN DIEGO, CA	US	92129
03123	MICRO-OHM CORP	EL TORO, CA	US	92630
03171	SOLITRON DEVICES INC	PALM BEACH, FL	US	33404
03172	TRW MICROWAVE	SUNNYVALE, CA	US	94086
03174	ANZAC ELEK DIV ADAMS-RUSSEL CO INC	WALTHAM, MA	US	02154
03206	DUPONT CONNECTOR SYSTEMS	CAMP HILL, PA	US	17011
03232	PRODUCT COMPONENT CORP	MT VERNON, NY	US	10553
03239	WAVETEK	SAN DIEGO, CA	US	92111
03257	M-TRON INDUSTRIES INC	YANKTON, SD	US	57078
03259	STANFORD APPLIED ENGINEERING	SANTA CLARA, CA	US	95054
03263	ELECTRONIZED CHEMICALS CORP	BURLINGTON, MA	US	01803
03273	GOWANDA ELECTRONICS CORP	GOWANDA, NY	US	14070
03282	GENERAL CABLE CORP	NEW YORK, NY	US	10017
03285	ANALOG DEVICES INC	NORWOOD, MA	US	02062
03291	AVANTEK INC	SANTA CLARA, CA	US	95054
03292	CORNING GLASS WORKS	CORNING, NY	US	14830
03297	EMC TECHNOLOGY INC	CHERRY HILL, NJ	US	08034
03316	SPECIALTY CONNECTOR CO	FRANKLIN, IN	US	46131
03317	AEG-TELEFUNKEN CORP	ENGLEWOOD, NJ	US	07632
03334	NV PHILIPS ELCOMA	EINDHOVEN	NE	02876
03352	SWISS AUTOMATICS INC	COLUMBUS, NE	US	68601
03371	USM CORP NYLOK FASTENER DIV	TORRANCE, CA	US	90501
03380	GRIES/DYNACAST CO DIV COATES-CLARK	NEW ROCHELLE, NY	US	10802
03389	VARADYNE INC	SANTA MONICA, CA	US	90404
03394	METHODE ELECTRONICS INC	CHICAGO, IL	US	60656
03395	MEPCO/CENTRALAB INC	WEST PALM BEACH, FL	US	33407
03406	NATIONAL SEMICONDUCTOR CORP	SANTA CLARA, CA	US	95052
03412	CORNING GLASS WORKS (WILMINGTON)	WILMINGTON, NC	US	28401
03418	MOLEX INC	LISLE, IL	US	60532
03428	NONOTUCK MFG CO	HADLEY FALLS, MA	US	01075
03441	F-DYNE ELECTRONICS CO	BRIDGEPORT, CT	US	06605
03521	JOHANSON DIELECTRICS INC	BURBANK, CA	US	91510
03530	STACKPOLE COMPONENT CO	RALEIGH, NC	US	27620
03545	TELEDYNE PHILBRICK NEXUS	DEDHAM, MA	US	02026
03594	CARTER SEMICONDUCTORS	LOWELL, MA	US	01850
03621	M/A-COM CABLEWAVE MINI PROD	BURLINGTON, MA	US	01803
03627	SOLID STATE DEVICES INC	LA MIRADA, CA	US	90638
03647	INSTRUMENT SPECIALTIES CO INC	DEL WATER GAP, PA	US	07424
03651	MEPCO/ELECTRA CORP	SAN DIEGO, CA	US	92121
03658	ALPHA IND MICROELECTRONICS DIVISION	COLMAR, PA	US	18915
03706	WEST-CAP ARIZONA	SAN FERNANDO, CA	US	91340

Table 2. Manufacturers Code List (continued)

Mfr Code	Manufacturer Name	Address	Country	ZIP Code
03714	INTERSIL INC	CUPERTINO, CA	CA	95014
03724	BIVAR INC	SANTA ANA, CA	US	92705
03740	ERIE TECH PROD INC ERIE FREQ CONT	CARLISLE, PA	US	17013
03744	BOURNS INC	RIVERSIDE, CA	US	92507
03746	SPECTRUM CONTROL INC	ERIE, PA	US	16505
03747	COLORADO CRYSTAL CORP	LOVELAND, CO	US	80537
03762	TELE-TECH CORP	BOZEMAN, MT	US	59771
03793	SILICON GENERAL INC	SAN JOSE, CA	US	95134
03794	ADVANCED MICRO DEVICES INC	SUNNYVALE, CA	US	94086
03795	MOTOROLA INC	FRANKLIN PARK, IL	US	60131
03799	HARRIS CORP	MELBOURNE, FL	US	32901
03811	INTEL CORP	SANTA CLARA, CA	US	95054
03827	FAIR RITE PRODUCTS CORP	WALLKILL, NY	US	12589
03849	MICROSYSTEMS INTERNATIONAL LTD	OTTAWA	CN	
03910	GENERAL ELECTRIC CO	PHILADELPHIA, PA	US	19124
03923	SIEMENS CORP	ISELIN, NJ	US	08830
03938	MIDLAND-ROSS CORP	CLEVELAND, OH	US	44113
03972	OHMITE MFG CO	SKOKIE, IL	US	60076
03973	HP DIV 45 NMD	SANTA ROSA, CA	US	95401
04068	LABINAL COMPONENTS & SYSTEMS INC	ELK GROVE VILLA, IL	US	60007
04078	SGS-THOMSON MICROELECTRONICS INC	PHOENIX, AZ	US	85022
04092	MONOLITHIC MEMORIES INC	SANTA CLARA, CA	US	95054
04121	SEMICONDUCTOR CIRCUITS INC	HAVERHILL, MA	US	01830
04150	VICLAN INC	SAN DIEGO, CA	US	92138
04169	SANGAMO ELECTRIC CO	SPRINGFIELD, IL	US	62702
04181	AHAM-TOR	RANCHO, CA	US	91702
04182	SHALLCROSS INC	NORTHBROK, IL	US	60062
04200	SPRAGUE ELECTRIC CO	LEXINGTON, MA	US	02173
04204	SPS TECHNOLOGIES	NEWTOWN, PA	US	18940
04213	STIMPSON EDWIN B CO INC	BROOKLYN, NY	US	11705
04225	THOMAS & BETTS CORP	RARITAN, NJ	US	08869
04234	DELBERT BLINN CO	POMONA, CA	US	91766
04261	INSULECTRO CORP	BURLINGAME, CA	US	94010
04314	VLN CORP VICTOREEN INSTRUMENT DIV	CLEVELAND, OH	US	44103
04379	AMETEK INC	PAOLI, PA	US	19301
04393	CENTRE ENGINEERING INC	STATE COLLEGE, PA	US	16801
04418	ALLEN MFG CO	HARTFORD, CT	US	06101
04423	G.E. CERAMICS, INC.	CHATTANOOGA, TN	US	37405
04458	BLILEY ELECTRIC CO	ERIE, PA	US	16508
04464	BRAND REX CO	WILLIMANTIC, CT	US	06226
04475	CAMBRIDGE THERMIONIC CORP	CAMBRIDGE, MA	US	02138
04486	ITT CORP	NEW YORK, NY	US	10022
04492	CENTRALAB INC	MILWAUKEE, WI	US	53209
04504	GENERAL INSTRUMENT CORP	CLIFTON, NJ	US	07012
04507	TRW INC	CLEVELAND, OH	US	44124
04514	DOW CORNING CORP	MIDLAND, MI	US	48641

Table 2. Manufacturers Code List (continued)

Mfr Code	Manufacturer Name	Address	Country	ZIP Code
04522	ELECTRO MOTIVE CORP	FLORENCE, SC	US	06226
04550	GENERAL ELECTRIC CO	FAIRFIELD, CT	US	06430
04563	ERIE TECHNOLOGICAL PRODUCTS INC	ERIE, PA	US	16512
04564	ESSEX INTERNATIONAL INC	FORT WAYNE, IN	US	46804
04567	ITT HARPER DIV	CHICAGO, IL	US	60606
04568	BECKMAN INDUSTRIAL CORP	FULLERTON, CA	US	92635
04581	BARWOOD MFG CORP	EVERETT, MA	US	02149
04605	FISCHER SPECIAL MFG CO	CINCINNATI, OH	US	45206
04615	J F D ELECTRONICS CORP	BROOKLYN, NY	US	11219
04645	SIGNALITE DIV GENERAL INST CORP	NEPTUNE, NJ	US	07753
04648	PIEZO CRYSTAL CO	CARLSILE, PA	US	17013
04670	EF JOHNSON CO	WASECA, MN	US	56093
04672	TRW INC PHILADELPHIA DIV	PHILADELPHIA, PA	US	19108
04703	LITTELFUSE INC	DES PLAINES, IL	US	60016
04719	MARWEDEL C W	SAN FRANCISCO, CA	US	94103
04726	3M CO	ST PAUL, MN	US	55144
04733	BELL INDUSTRIES INC MILLER JW DIV	COMPTON, CA	US	90224
04757	OAK SWITCH SYSTEMS INC	CRYSTAL LAKE, IL	US	60014
04776	POTTER & BRUMFIELD INC	PRINCETON, IN	US	47671
04805	ILLINOIS TOOL WORKS INC SHAKEPROOF	ELGIN, IL	US	60126
04821	TILLEY MFG CO	MORGAN HILL, CA	US	94070
04822	STACKPOLE CARBON CO	ST MARYS, PA	US	15857
04828	TINNERMAN PRODUCTS INC	CLEVELAND, OH	US	44101
04830	STEWART STAMPING CORP	YONKERS, NY	US	10704
04853	VARFLEX CORP	ROME, NY	US	13440
04880	ZIERICK MFG CO	MT KISCO, NY	US	10549
04935	MEPCO ELECTRA CORP	MORRISTOWN, NJ	US	07960
04939	SCHNITZER ALLOY PRODUCTS CO	ELIZABETH, NJ	US	07206
04977	ITT CORP COMPONENTS DIV	NEW YORK, NY	US	10022
04990	GRAYHILL INC	LA GRANGE, IL	US	60525
05016	MONITOR PRODUCTS CO INC	OCEANSIDE, CA	US	92054
05065	TEXAS INSTRUMENTS INC	ATTLEBORO, MA	US	02703
05088	VARO INC	GARLAND, TX	US	75046
05098	VICTORY ENGINEERING CORP	SPRINGFIELD, NJ	US	07081
05108	KULKA-SMITH INC	MANASQUAN, NJ	US	08736
05131	ELECTRONIC DEVICES INC	YONKERS, NY	US	10710
05160	VRN INTERNATIONAL	ST PETERSBURG, FL	US	33710
05176	AMERICAN SHIZUKI CORP	CANOGA PARK, CA	US	91304
05232	BRADY W H CO	MILWAUKEE, WI	US	53209
05293	PRECISION METAL PRODUCT CO	STONEHAM, MA	US	02180
05347	UNIMICA	NEW YORK, NY	US	10013
05350	WILMINGTON FIBRE SPECIALTY CO	NEW CASTLE, DE	US	19720
05364	LITTON PRECISION PROD INC	VAN NUYS, CA	US	91409
05368	FCP INC	OLATHE, KS	US	66062
05400	REESE J RAMSEY INC	NEW YORK, NY	US	10007
05436	BURR-BROWN CORP	TUCSON, AZ	US	85706

Table 2. Manufacturers Code List (continued)

Mfr Code	Manufacturer Name	Address	Country	ZIP Code
05447	BERGQUIST CO	MINNEAPOLIS, MN	US	55420
05453	ICO-RALLY CORP	SUNNYVALE, CA	US	94303
05461	ITT HARPER INC	MORTON GROVE, IL	US	60053
05466	EMHART CORP	FARMINGTON, CT	US	06032
05507	MILLER DIAL & NAMEPLATE CO	EL MONTE, CA	US	91734
05518	AUGAT INC	MANSFIELD, MA	US	02048
05524	DALE ELECTRONICS INC	COLUMBUS, NE	US	68601
05535	KEYSTONE ELECTRONICS CORP	NEW YORK, NY	US	10012
05545	NATIONAL TEL TRONICS CORP	YONKERS, NY	US	10701
05559	ALPHA WIRE CORP	ELIZABETH, NJ	US	07207
05568	JACOBSON MFG CO INC	KENILWORTH, NJ	US	07033
05589	UNIFORM TUBES	COLLEGEVILLE, PA	US	19426
05623	CAMDEN WIRE CO INC	CAMDEN, NY	US	13316
05630	WESTON COMPONENTS	ARCHBALD, PA	US	18403
05648	MAGNECRAFT ELECTRIC CO	CHICAGO, IL	US	60630
05661	ALCO ELECTRONIC PRODUCTS INC	NORTH ANDOVER, MA	US	01845
05668	VITRAMON INC	MONROE, CT	US	06468
05683	WECKESSER CO INC	CHICAGO, IL	US	60641
05704	SAN FERNANDO ELECTRIC MFG CO	SAN FERNANDO, CA	US	91341
05742	P C A ELECTRONICS INC	SEPULVEDA, CA	US	91343
05768	MALCO-A MICRODOT CO	PASADENA, CA	US	91030
05769	ITT SEAELECTRO CORP	TRUMBULL, CT	US	06611
05792	INTL ELECTRONIC RESEARCH CORP	BURBANK, CA	US	91502
05809	MARSHALL IND CAPACITOR DIV	MONROVIA, CA	US	91016
05826	AMER PRCN IND INC DELEVAN DIV	AURORA, NY	US	14052
05879	AMPHENOL CORPORATION	DANBURY, CT	US	06810
05917	RIFA AB	STOCKHOLM	SW	S-163
05943	TEXAS INSTRUMENTS DEUTSCHLAND GMBH	FREISING	GM	8050
05946	VALVO GMBH	HAMBURG	GM	2000
05951	WICKMANN-WERKE A G	WITTEN-ANNEN	GM	5870
05959	MARQUARDT GMBH	RIETHEIM	GM	D-720
05967	VTM A/S	GLOSTRUP	DK	2080
05982	CELDUC CONSTR ELECTRIQUES DU CENTRE	SORBIERS	FR	42
05985	SESCOSEM	SAINT EGREVE	FR	75781
05992	EFCO COMPOSANTS	NANTERRE	FR	
05993	CORNING GLASS EUROPE SOVCOR	LE VESINET	FR	
06003	SESCOSEM (63)	PARIS	FR	75781
06032	STC/STANTEL	DEVON	EG	
06039	SEAELECTRO LTD	PORTSMOUTH	EG	
06058	BOURNS TRIMPOT LTD	MIDDLESEX	EG	
06118	ROEDERSTEIN/RESISTA GMBH	LANDSHUT	GM	8300
06121	SIEMENS AG	MUNICH	GM	8000
06127	WIMA	MANNHEIM	GM	6800
06252	AB ELEKTRONIK GMBH	SALZBURG	AU	A-501
06328	SCHURTER AG	LUZERN	SW	CH-60
06330	CONDENSATEURS FRIBOURG S A	FRIBOURG	SW	

12 General CLIP Information

Table 2. Manufacturers Code List (continued)

Mfr Code	Manufacturer Name	Address	Country	ZIP Code
06337	PHILLIPS GLOEILAMPENFABRIEKEN N V	EINDHOVEN	HL	
06344	FUJITSU MICROELECTRONICS INC	SANTA CLARA, CA	US	95054
06347	HITACHI AMERICA LTD	SUNNYVALE, CA	US	94086
06352	TDK CORPORATION OF AMERICA	SKOKIE, IL	US	60076
06354	TOSHIBA CORP	TOKYO	JP	
06424	E-SIL COMPONENTS LTD	SUNDERLAND	EG	SR4 6
06501	BARBER & COLEMAN LTD	SALE CHES	EG	
06563	SIEMENS CORP COMPONENTS GROUP	SCOTTSDALE, AZ	US	85252
06650	AEG-TELEFUNKEN	HEILBRONN	GM	7100
06665	SAMTEC	NEW ALBANY, IN	US	47150
06784	MIDWEST COMPONENTS	MUSKEGON, MI	US	49443
06857	TRAK MICROWAVE CORP	TAMPA, FL	US	33614
06860	HUBER & SUHNER AG	HERISAU	SW	
06900	JUDD WIRE	BURLINGTON, MA	US	01803
06916	SONY CORP	TOYKO	JP	141
06951	TRW RESISTIVE PRODUCTS DIV	CORPUS CHRISTI, TX	US	78411
07041	R.A.F. ELECTRONIC HARDWARE INC	STRATFORD, CT	US	06497
07050	MICRO POWER SYSTEMS	SANTA CLARA, CA	US	95050
07158	EATON CORP	CLEVELAND, OH	US	44144
07179	AAVID ENGINEERING INC	LACONIA, NH	US	03247
07221	SUPERTEX INC	SUNNYVALE, CA	US	94086
07284	PAKTRON DIV ITW	VIENNA, VA	US	22180
07338	J K L COMPONENTS CORP	LOS ANGELES, CA	US	90064
07379	SAN-O INDUSTRIAL CORP	BOHEMIA LI, NY	US	11716
07398	BEL FUSE INC	JERSEY CITY, NJ	US	07302
07477	AMERICAN OIL & SUPPLY CO	NEWARK, NJ	US	07105
07766	LA RADIOTECHNIQUE COMPELEC	VILLEVRBANNE	FR	
07798	REMTEK CORP	SUNNYVALE, CA	US	
08097	SPRAGUE-GOODMAN ELECTRONICS	NEW HYDE PARK, NY	US	11040
08113	KAHGAN ELECTRONICS CORP	HEMPSTEAD, NY	US	11550
08123	COIL-Q CORP	BRONXVILLE, NY	US	
08259	DALE ELECTRONICS INC	TEMPE, AZ	US	85252
08261	STAR MICRONICS INC	NEW YORK, NY	US	
08335	SOURIAU INC	SAUGUS, CA	US	95203
08369	FILECA	STE GENEVIEVE	FR	
08560	OXLEY DEV LTD	CUMBRIA	EG	
08666	PANEL COMPONENTS CORP	SANTA ROSA, CA	US	
08709	PANASONIC INDUSTRIAL CO	SECAUCUS, NJ	US	07094
08778	MADISON CABLE CORP	WORCHESTER, MA	US	01603
08779	MITSUBISHI ELECTRONICS AMERICA	SUNNYVALE, CA	US	94086
08781	CATALYST RESEARCH CORP	BALTIMORE, MD	US	
08810	ROCKWELL INTERNATIONAL	ANAHEIM, CA	US	
08838	AND (ALPHA NUMERIC DISPLAYS)	BURLINGAME, CA	US	
08852	METELICS CORP	SUNNYVALE, CA	US	
09043	GLOW-LITE DIV OF DUTCH BOY	PAULS VALLEY, OK	US	
09050	XENELL	WYNNEWOOD, OK	US	

Table 2. Manufacturers Code List (continued)

Mfr Code	Manufacturer Name	Address	Country	ZIP Code
09126	ASJ PTE LTD	JURONG TOWN	SG	
09171	RHOMBUS INDUSTRIES INC	HUNTINGTON BEACH, CA	US	92649
09226	NEC ELECTRONICS INC	SANTA CLARA, CA	US	
09235	FOX ELECTRONICS	FT MEYERS, FL	US	33910
09283	TOPAZ SEMICONDUCTOR	SAN JOSE, CA	US	95132
09441	APPLIED ENGINEERING PRODUCT CO	HAMDEN, CT	US	
09448	WAMCO INC	FOUNTAIN VALLEY, CA	US	
09454	PRECISION RESISTIVE PRODS INC	MEDIAPOLIS, IA	US	52637
09507	HEWLETT PACKARD CO, MID	SANTA ROSA, CA	US	95403
09538	TUSONIX	TUCSON, AZ	US	85740
09694	ELECTRONIC ESSENTIALS	WOODSIDE, NY	US	
09849	NDK AMERICA INC	CUPERTINO, CA	US	54014
09855	KOWASANGYO CORP	TOKYO	JP	
09859	CERA-MITE CORP	GRAFTON, WI	US	53024
09862	HITACHI CABLE LTD	TOKYO	JP	
09914	UNITRODE CORP	LEXINGTON, MA	US	
09939	MURATA ERIE NORTH AMERICA INC	SMYRNA, GA	US	30080
09955	BOYD CORP	DENVER, CO	US	
10183	TADIRAN	TEL-AVIV	IS	
10200	ELECTRONIC CONCEPTS INC	EATONTOWN, NJ	US	
10290	COMMODORE SEMICONDUCTOR GROUP	NORRISTOWN, PA	US	
10302	CENTENNIAL PLASTICS	YELLVIELLE, AR	US	
10358	VOGT AG	LOSTORF	GM	
10401	NEW SYSTEMS MOLDING CORP	LOVELAND, CO	US	80537
10407	LSI LOGIC CORP	MILPITAS, CA	US	95035
10421	EPSON	TORRENCE, CA	US	
10443	HP DIV 64 NID	CORVALLIS, OR	US	
10456	PLASTEC PRODUCTS INC	FORT COLLINS, CO	US	
10457	JERMYN INDUSTRIES LTD (63)	KENT SEVENOAKS	EG	
10481	DALE ELECTRONICS INC	NORFOLK, NE	US	68701
10549	SCI MANUFACTURING INC	HUNTSVILLE, AL	US	35805
10572	XICOR, INC	MILPITAS, CA	US	
10631	GASKET SPECIALTIES	BRISBANE, CA	US	
10784	SHINNITOKU ELECTRIC CO LTD	MINATO-KU TOKYO	JP	145
10795	STANDEX - PAUL SMITH DIVISION	CINCINNATI, OH	US	
10858	LINEAR TECHNOLOGY CORP	MILPITAS, CA	US	95035
10881	THOMSON-CSF	COURBEVOIE	FR	
10905	FIRA	LYON	FR	
11047	TEKA PRODUCTS INC	WOODSIDE, NY	US	
11111	SEEQ TECHNOLOGY INC	SAN JOSE, CA	US	
11171	SYNERGY MICROWAVE CORP	FAIRFIELD, NJ	US	
11187	VLSI TECHNOLOGY INC	SAN JOSE, CA	US	95131
11212	INDUCTOR SUPPLY, INC.	HUNTINGTON BEACH, CA	US	
11248	MICRON DIV OF R G ALLEN CO INC	NORTH HOLLYWOOD, CA	US	
11263	W GUNTHER GMBH	NURNBERG	GM	
11298	AVEL-LINDBURG	DANBURY	CT	

Table 2. Manufacturers Code List (continued)

Mfr Code	Manufacturer Name	Address	Country	ZIP Code
11345	CYPRESS SEMICONDUCTOR CORP	SAN JOSE, CA	US	95134
11357	BRISTOL ROYAL WORKSHOP BLIND	BRISTOL	EG	
11412	ISOLANTITE MFG COMPANY INC	STIRLING, NJ	US	
11421	KYOCERA CORPORATION	KYOTO	JP	
11599	MICRO-COAX COMPONENTS, INC	COLLEGEVILLE, PA	US	19426
11677	SARONIX	PALO ALTO, CA	US	
11684	JOSLYN DEFENSE SYSTEMS INC	BURLINGTON, VT	US	05401
11686	KYUSHU DENTSU CO LTD	NAGASAKI	JP	
11699	CENTRAL SEMICONDUCTOR CORP	HAUPPAUGE, NY	US	11788
11703	POWER GENERAL	CANTON, MA	US	
11708	THOMSON SEMICONDUCTORS	VELIZY VILLACOU	FR	78140
11723	CTL COMPONENTS LTD	LONDON	EG	SW19
11781	MIDLAND-ROSS CORP	LIVINGSTON, NJ	US	07039
11844	ELECTREY S A	MONTERREY	MX	64000
11892	EVOX/RIFA INC	LINCOLNSHIRE, IL	US	60015
11920	MIYAMA DENSEN CO LTD	TOKYO	JP	
11946	BKC INTERNATIONAL ELECTRONICS	LAWRENCE, MA	US	01841
11961	ALEXCO ENGINEERING SUPPLIES	COWDENBEATH	EG	KY4 9
11981	POWEREX	YOUNGWOOD, PA	US	15697
12125	SAMSUNG SEMICONDUCTOR INC	SANTA CLARA, CA	US	95054
12127	RF MONOLITHICS INC	DALLAS, TX	US	75234
12131	PRESIDIO COMPONENTS INC	SAN DIEGO, CA	US	92121
12186	DALLAS SEMICONDUCTOR CORP	DALLAS, TX	US	75244
12213	STACKPOLE ELECTRONICS INC	RALEIGH, NC	US	27620
12261	ERIE SPECIALTY PRODUCTS INC	ERIE, PA	US	16512
12340	KEMET ELECTRONICS CORPORATION	GREENVILLE, SC	US	29606
12355	INTERCONNECTION PRODUCTS INC	SANTA ANA, CA	US	92707
12382	LATTICE SEMICONDUCTOR CORP	BEAVERTON, OR	US	97006
12395	FEI MICROWAVE, INC.	SUNNYVALE, CA	US	94086
12418	OWL WIRE AND CABLE	CANASTATA, NY	US	13032
12456	WIRE PRO INC	SALEM, NJ	US	08079
12465	INTERNATIONAL POWER DEVICES	BRIGHTON, MA	US	02135
12473	AVX-RALEIGH DIVISION	RALEIGH, NC	US	27604
12482	BRADFORD ELECTRONICS INC	BRADFORD, PA	US	16701
12513	BUNNELL PLASTICS, INC	MICKLETON, NJ	US	08056
12516	MICROTRONICS ASSOCIATES PTE LTD	SINGAPORE	SG	1334
12580	SOUTH AMERICAN DEVELOPMENT CO	HYDE PARK, NY	US	12538
12656	BEYSCHLAG GMBH	HEIDE	GM	
12703	CHAMPION TECHNOLOGIES INC	FRANKLIN PARK, IL	US	60131
12830	KETEMA	BENSALEM, PA	US	19020
12845	WARTH INTERNATIONAL LTD	EAST GRINSTEAD	EG	RH192
12896	DOWKEY MICROWAVE INC	VENTURA, CA	US	93003
28480	HEWLETT PACKARD CO	CUPERTINO, CA	US	95014

GRAPHIC SYMBOLS USED ON SCHEMATIC AND BLOCK DIAGRAMS		
BASIC COMPONENT SYMBOLS		
	VARIABLE RESISTOR Wiper moves toward CW when shaft is rotated in clockwise direction	HEAVY LINE WITH ARROWS INDICATES PATH AND DIRECTION OF MAIN SIGNAL
	THERMISTOR	HEAVY DASHED LINE WITH ARROW INDICATES PATH AND DIRECTION OF MAIN SIGNAL
	ELECTROLYTIC CAPACITOR	DIGITAL BURP
	CAPACITOR	DIODE WITH TWO DIODES INDICATES A MECHANICAL CONNECTION
	VARIABLE CAPACITOR	INDICATES A SOLDERED CONNECTION
	FEEDTHROUGH CAPACITOR	SURFACE MOUNTING DIODE
	FERRIS-CORE INDUCTOR	PIN DIODE
	SLUG-TUNED INDUCTOR	TRIODE
	RELAY (D. OR T. OMITTED)	STEP RECOVERY DIODE
	ALTERNATE RELAY	ADJUSTABLE VOLTAGE REGULATOR
	CRYSTAL	TEMPERATURE COMPENSATED VOLTAGE REFERENCE DIODE
	SPEAKER	DIODE CONTROLLED RECTIFIER DIODE
	GENERAL PURPOSE DIODE	TRIANGLE PIN DIODE
	BREAKDOWN DIODE (ZENER)	TRIANGLE PIN DIODE
	SCHOTTKY DIODE	TRIANGLE PIN DIODE
	VARACTOR DIODE	TRIANGLE PIN DIODE
		THROUGH ASSEMBLY BOARD LINE
		SPIN
		INDICATES A MECHANICAL CONNECTION
		INDICATES A SOLDERED CONNECTION
		SURFACE MOUNTING WAVE (SAW)
		JUMPER WIRE
		SLIDE, TOGGLE, OR ROCKER SWITCH
		FERRITE BEAD
		INDICATES SHIELDING CONDUCTOR FOR CABLES
		GROUNDING SHIELDING
		INDICATES FACTORY SELECTED COMPONENT
		DISTRIBUTION SWITCH (NORMALLY CLOSED)
		CONTROL SWITCH (NORMALLY OPEN)
		WIRE-BOND TRANSFORMER
		CLAMPED CORE TRANSFORMER
		MULTI CHANNEL DELTA MODE
		MULTI CHANNEL DELTA MODE

FORM 1591

Figure 1. Graphics Symbols (1 of 2)

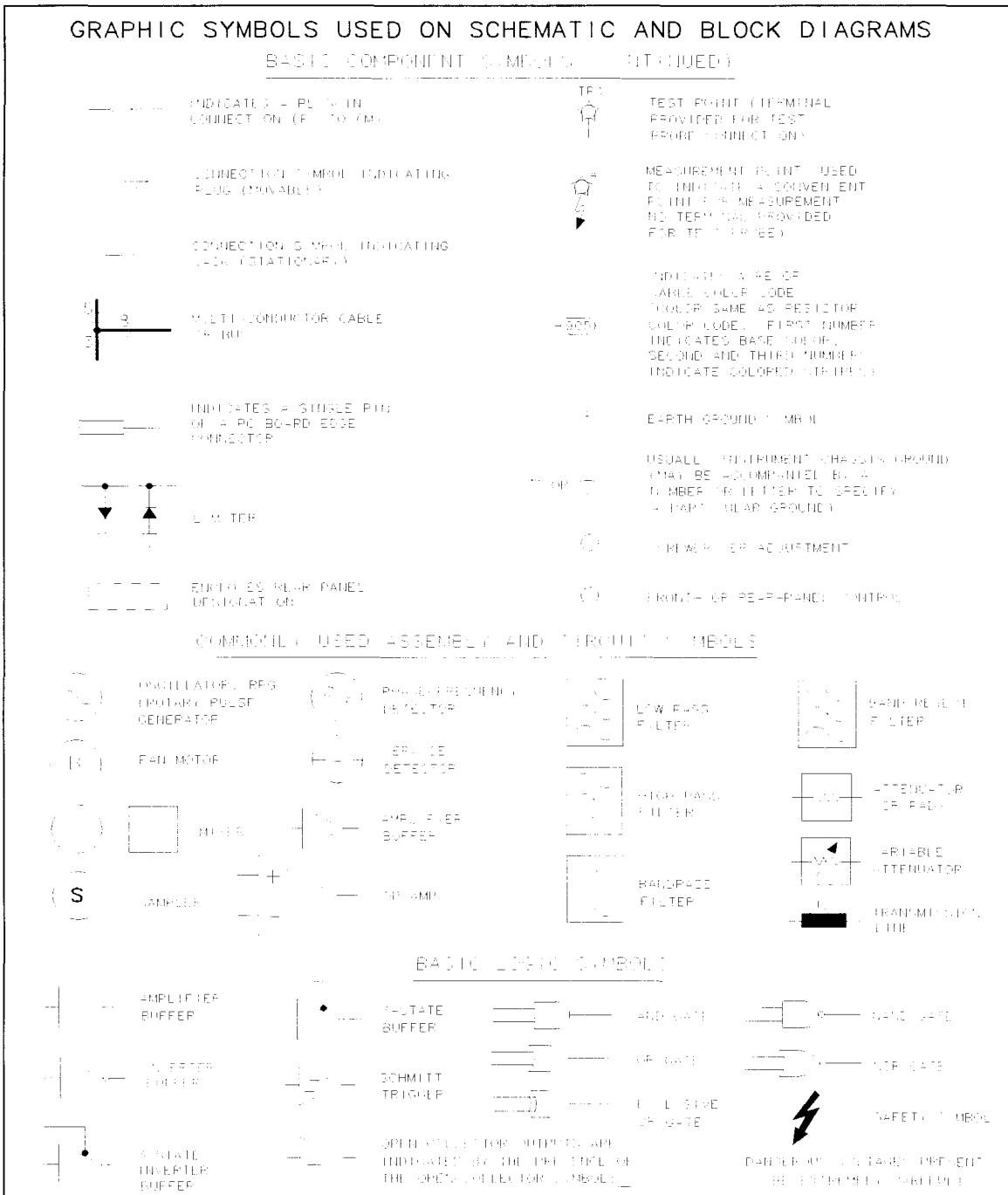
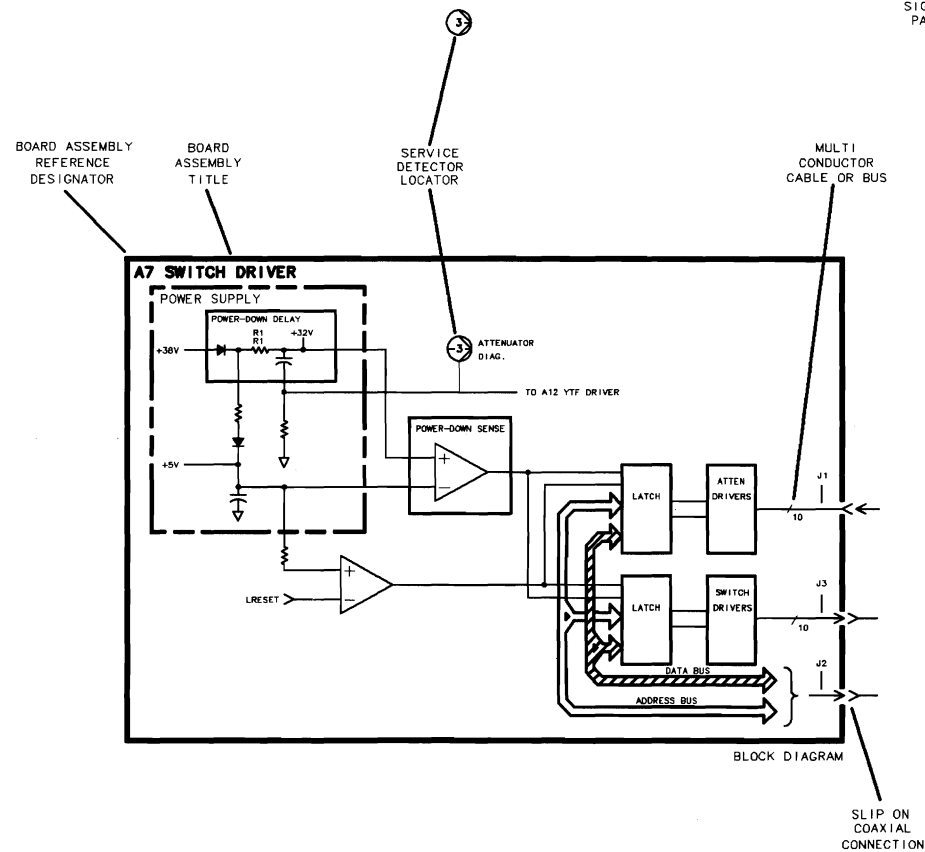
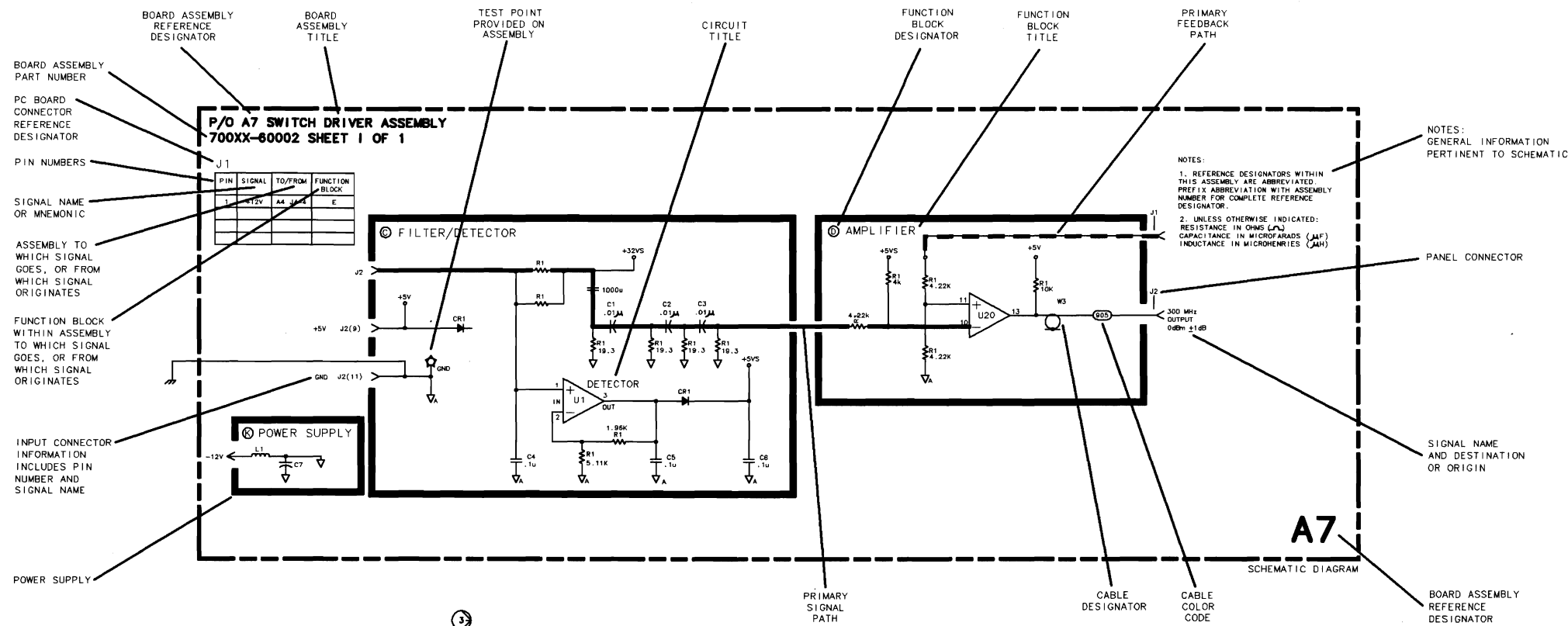


Figure 1. Graphics Symbols (2 of 2)

SYM	REVISIONS	APPROVED	DATE
A	AS ISSUED		

EXAMPLE OF SCHEMATIC AND BLOCK DIAGRAM ELEMENTS



EXAMPLE ONLY

AGILENT TECHNOLOGIES RESTRICTED		ITEM	QTY.	PART/MATERIAL-DESCRIPTION	MAT'L-PART NO.	MAT'L-DWG. NO.	MAT'L-SPEC.
THIS DOCUMENT CONTAINS CONFIDENTIAL, PROPRIETARY INFORMATION THAT IS AGILENT TECHNOLOGIES PROPERTY. DO NOT DISCLOSE TO OR DUPLICATE FOR OTHERS EXCEPT AS AUTHORIZED BY AGILENT TECHNOLOGIES.		DRAWN BY		DATE			
		ENGINEER/CHECKER					
		RELEASE TO PROD.					
		SUPERSEDES DWG.					
		SCALE		SHEET 1 OF 1		D-GENERAL DRAWING	
		SHEETS		PART NUMBER		s1for112.pcl	

Component-Level Information Packet for 08562-60140

Keyboard



**HP Part No. 08562-90188
Printed in USA December 1995**

Notice. The information contained in this document is subject to change without notice.

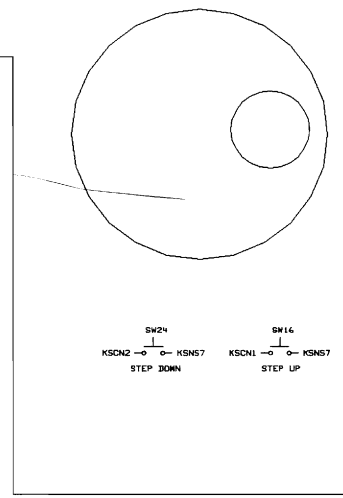
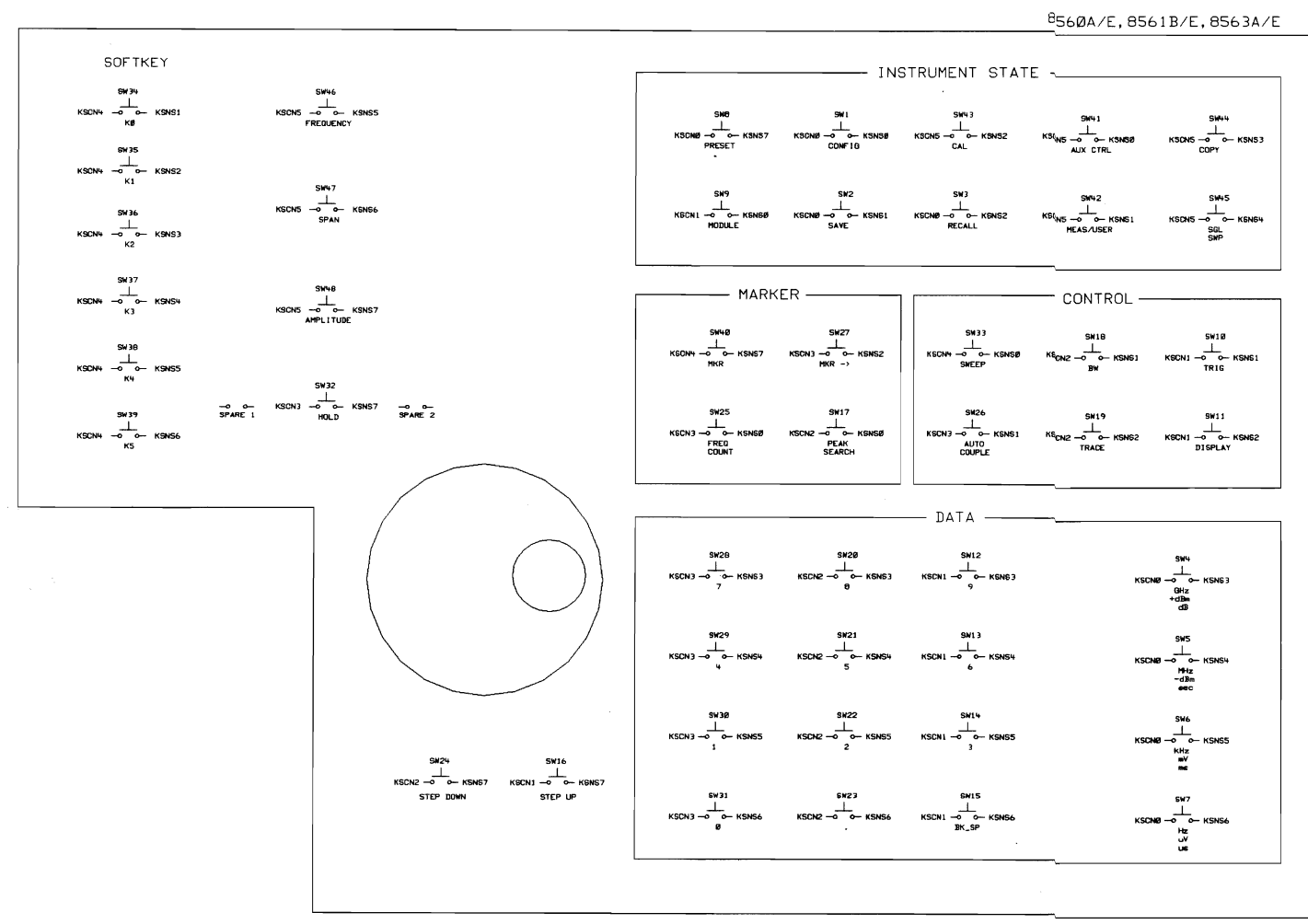
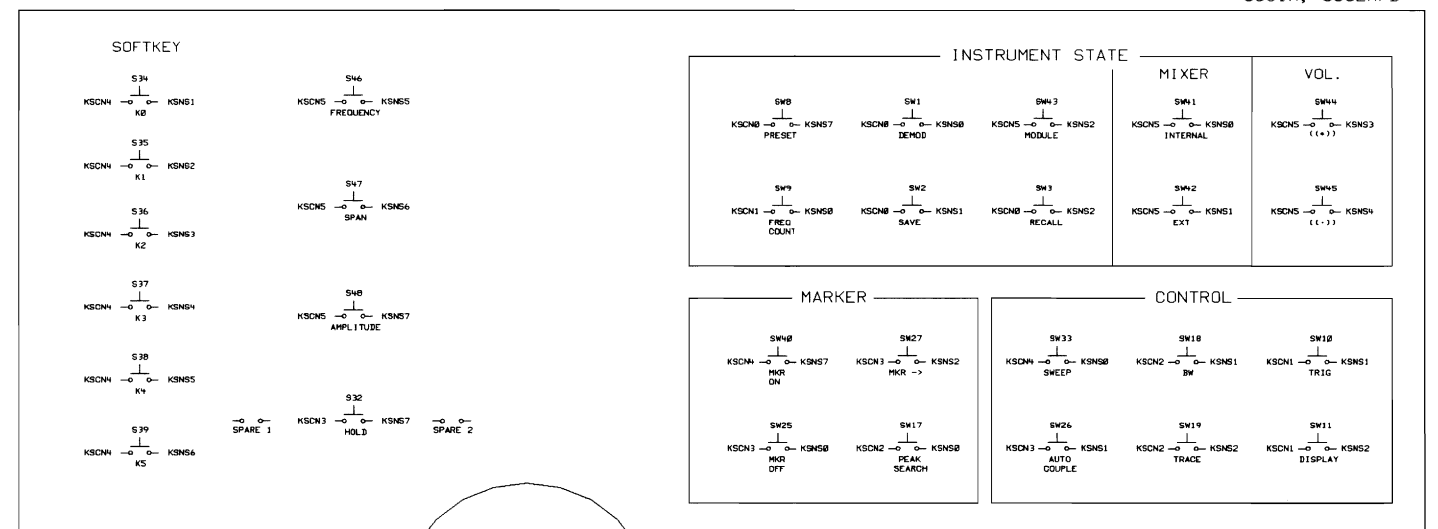
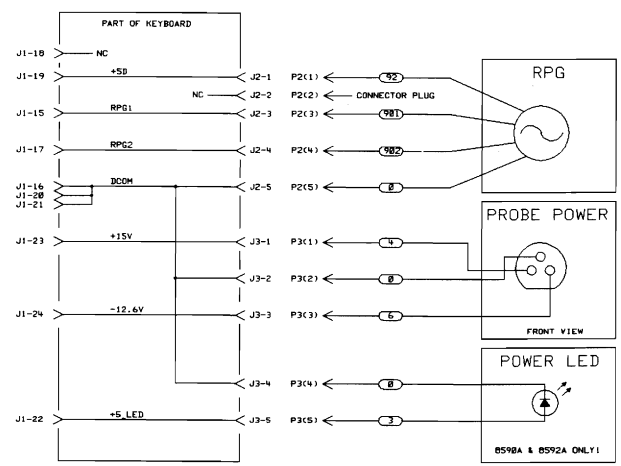
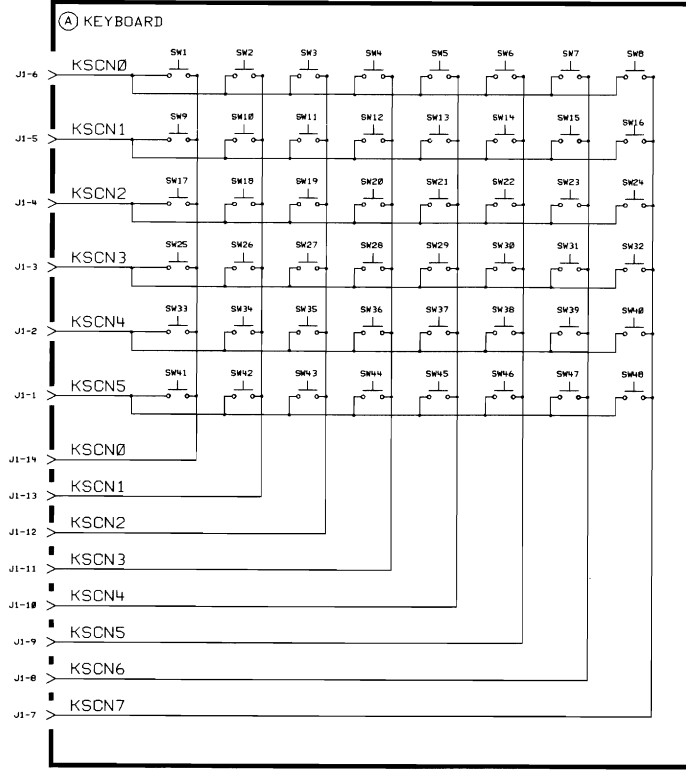
Hewlett-Packard makes no warranty of any kind with regard to this material, including, but not limited to, the implied warranties of merchantability and fitness for a particular purpose. Hewlett-Packard shall not be liable for errors contained herein or for incidental or consequential damages in connection with the furnishing, performance, or use of this material.

©Copyright Hewlett-Packard Company 1990, 1991, 1992, 1993, 1994, 1995
All Rights Reserved. Reproduction, adaptation, or translation without prior written permission is prohibited, except as allowed under the copyright laws.

**HP Part Number 08562-60140
Keyboard**

Reference Designator	HP Part Number	Qty	Description	Mfr Code	Mfr Part Number
J1	5062-8259	1	CBL ASSY KEYBRD	28480	5062-8259
J2	1252-2043	1	CONN-POST TYPE .100-PIN-SPCG-MTG-END	28480	1252-2043
J3	1251-7678	1	CONN-POST TYPE .100-PIN-SPCG-MTG-END	28480	1251-7678

5300		A3119		D-08562-60140-1	
SYM	REVISIONS	APPROVED	DATE		
A	AS ISSUED PER PCO 53-06999		1-28-91		
B	PER ICN 5497	BC	11-05-92		



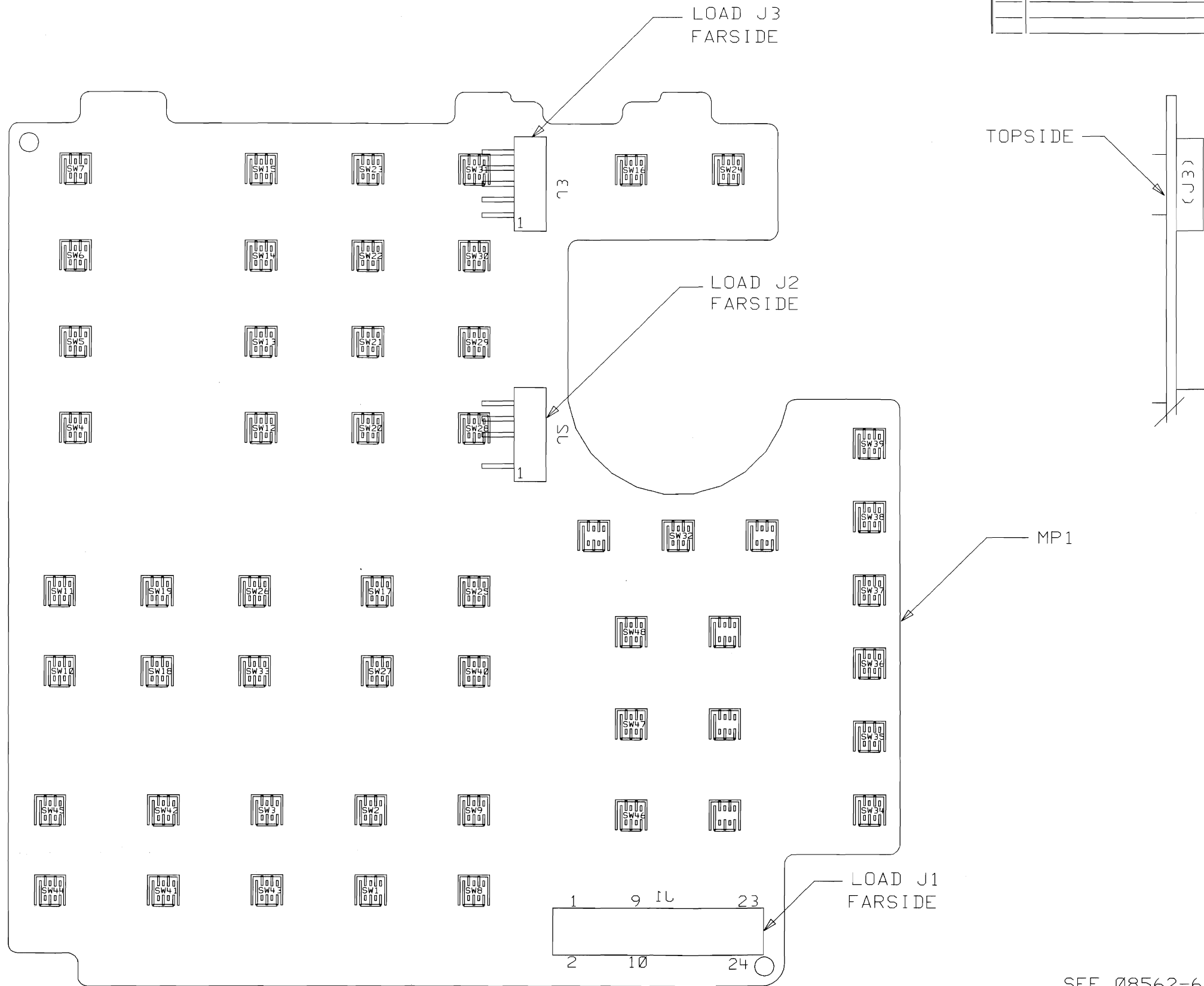
HP PROPRIETARY
 THIS DOCUMENT CONTAINS CONFIDENTIAL,
 PROPRIETARY INFORMATION THAT IS
 HEWLETT-PACKARD (HP) PROPERTY.
 DO NOT DISCLOSE TO OR DUPLICATE FOR
 OTHERS EXCEPT AS AUTHORIZED BY HP.

DRAWN BY	DATE
ENGINEER/CHECKER	DATE
RELEASE TO PROD.	DATE
SUPERSEDES DWG.	

SCHMATIC, PWA
 KEYBOARD

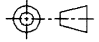
FILENAME	11aaw140
SCALE	NONE
SHEET 1 OF 1	08562-60140
PART NUMBER	D-08562-60140-1

SYM	REVISIONS	APPROVED	DATE
	A	AS ISSUED PER PCO 53-6999	




SEE 08562-60140 MATERIAL LIST

HP PROPRIETARY
 THIS DOCUMENT CONTAINS CONFIDENTIAL,
 PROPRIETARY INFORMATION THAT IS
 HEWLETT-PACKARD (HP) PROPERTY.
 DO NOT DISCLOSE TO OR DUPLICATE FOR
 OTHERS EXCEPT AS AUTHORIZED BY HP.

UNLESS OTHERWISE SPECIFIED,
 DIMENSIONS ARE IN INCHES.
 TOLERANCES: XX.XXX ±.010
 XX.XX ±.02
 THIRD ANGLE
 PROJECTION 
 DO NOT SCALE THIS DRAWING

DRAWN BY	01-21-91 DATE
ENGINEER/CHECKER	01-21-91 DATE
RELEASE TO PROD.	DATE
SUPERSEDES DWG.	

ASSEMBLY, PWB
 KEYBOARD
 TOPSIDE
 TITLE

a1aaw140 FILENAME	 HEWLETT PACKARD
SCALE NONE	
SHEET 1 OF 1	10-28-91 PART NUMBER
C-08652-60140-2	

Component-Level Information Packet for 08563-60162

Keyboard



**HP Part No. 08563-90222
Printed in USA June 2000**

Notice. The information contained in this document is subject to change without notice.

Hewlett-Packard makes no warranty of any kind with regard to this material, including, but not limited to, the implied warranties of merchantability and fitness for a particular purpose. Hewlett-Packard shall not be liable for errors contained herein or for incidental or consequential damages in connection with the furnishing, performance, or use of this material.

HP Part Number 08563-60162
Keyboard

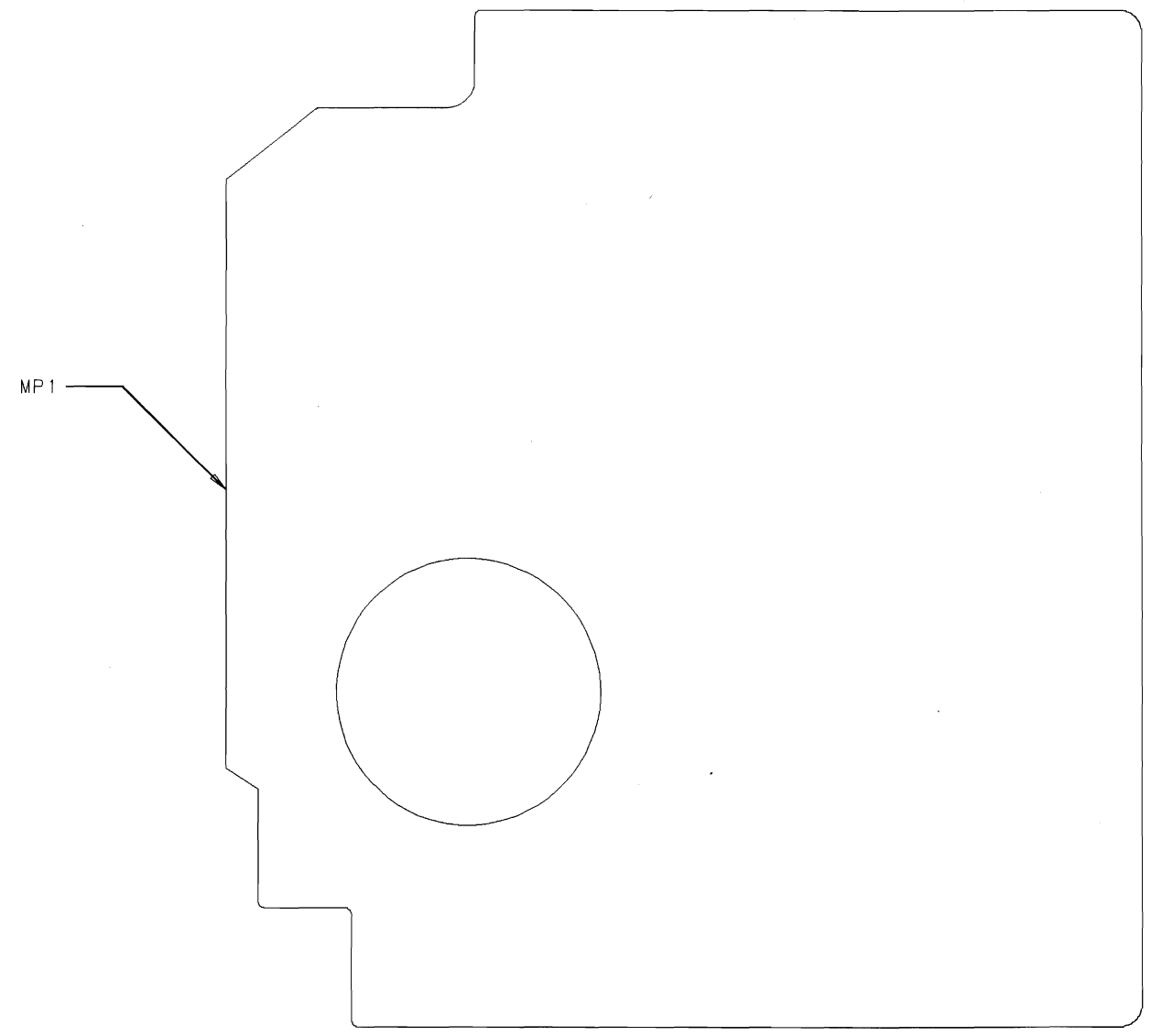
Reference Designator	HP Part Number	Qty	Description	Mfr Code	Mfr Part Number
J1	1252-1889	1	CONN-POST TYPE .100-PIN-SPCG-MTG-END	04726	2524-6002UB
J2	1251-7678	1	CONN-POST TYPE .100-PIN-SPCG-MTG-END	01380	641212-5
J3	1251-7678	1	CONN-POST TYPE .100-PIN-SPCG-MTG-END	01380	641212-5

**Indicates factory-selected value*

CLIP 08563-90222 1

Scans by ArtekMedia => 2009

5300		D-08563-60162-2	
SYM	REVISIONS	APPROVED	DATE
A	AS ISSUED PER EC053-12640 /CO		

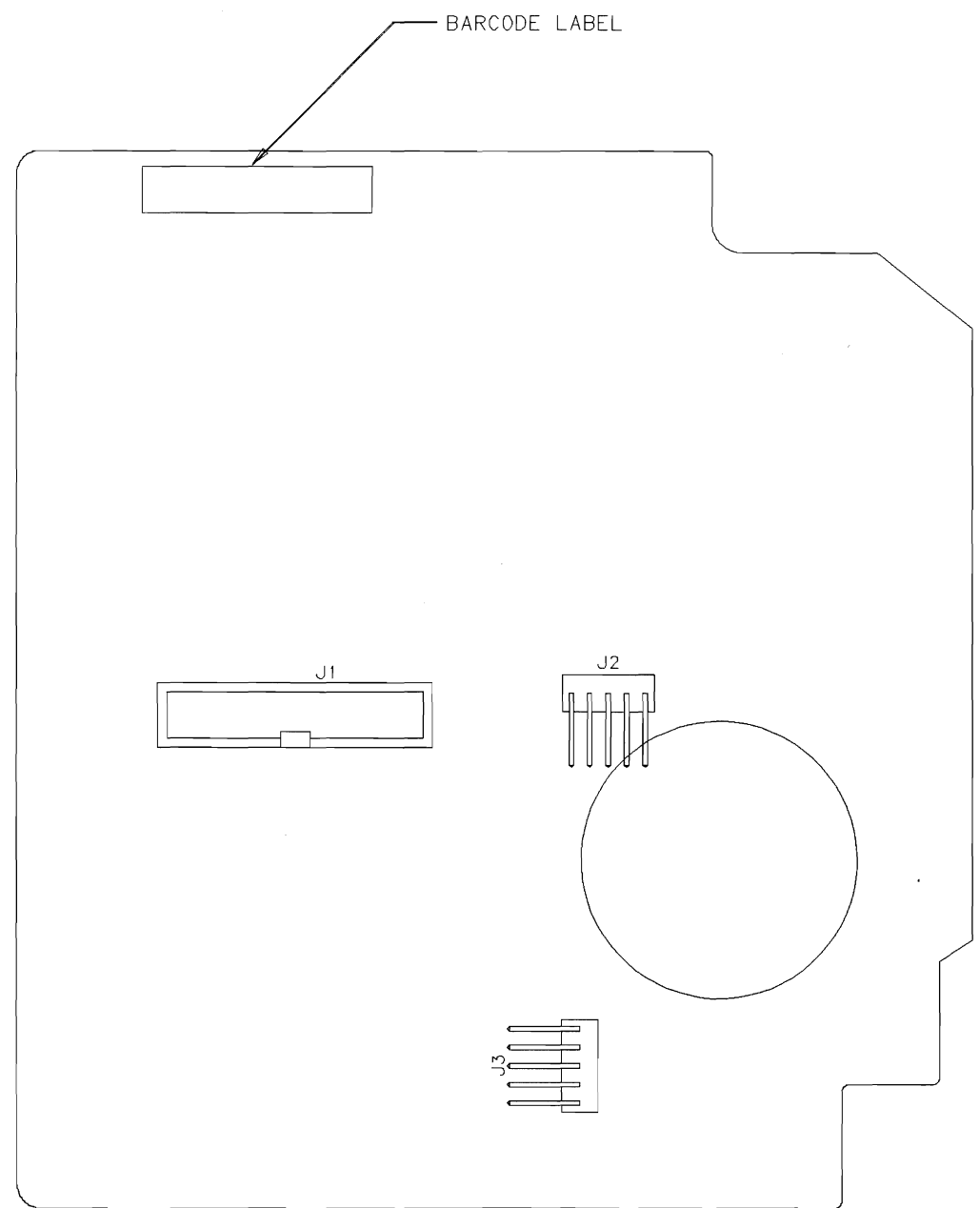


- NOTES: UNLESS OTHERWISE SPECIFIED
- 1 SEE MATERIAL LIST: 08563-60162
 - 2 THIS ASSEMBLY USES RAW BOARD NUMBER: 08563-20162
 - 3 THIS BOARD CONTAINS .010" VIAS IN PADS: YES NO
 - 4 THIS ASSEMBLY CONTAINS CROSSHATCHED COMPONENTS WHICH ARE NOT LOADED: YES NO

TOPSIDE

HP RESTRICTED THIS DOCUMENT CONTAINS CONFIDENTIAL, PROPRIETARY INFORMATION THAT IS HEWLETT-PACKARD (HP) PROPERTY. DO NOT DISCLOSE TO OR DUPLICATE FOR OTHERS EXCEPT AS AUTHORIZED BY HP.	UNLESS OTHERWISE SPECIFIED, DIMENSIONS ARE IN INCHES.	DRAWN BY _____ DATE _____	ASSEMBLY, PWB KEYBOARD	MENTOR FILENAME _____	HEWLETT PACKARD
	TOLERANCES: XX.XXX .010 XX.XX .02	ENGINEER/CHECKER _____ DATE _____		SCALE NONE	
	THIRD ANGLE PROJECTION	RELEASE TO PROD. _____ DATE _____		SHEET 1 OF 2 PART NUMBER 08563-60162	
	DO NOT SCALE THIS DRAWING	SUPERSEDES DWG. _____		TITLE D-08563-60162-2	

5300		D-08563-60162-2	
SYM	REVISIONS	APPROVED	DATE
A	AS ISSUED PER EC053-12640 /CO		



BOTTOM SIDE

Scans by ArtekMedia => 2009

HP RESTRICTED
 THIS DOCUMENT CONTAINS CONFIDENTIAL,
 PROPRIETARY INFORMATION THAT IS
 HEWLETT-PACKARD (HP) PROPERTY.
 DO NOT DISCLOSE TO OR DUPLICATE FOR
 OTHERS EXCEPT AS AUTHORIZED BY HP.

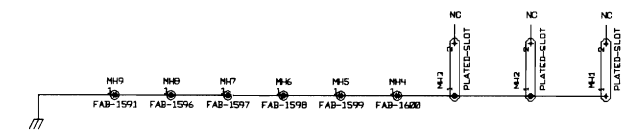
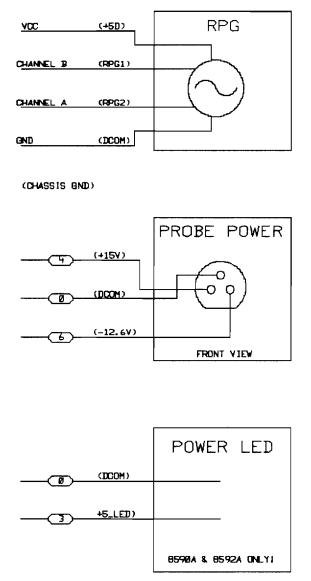
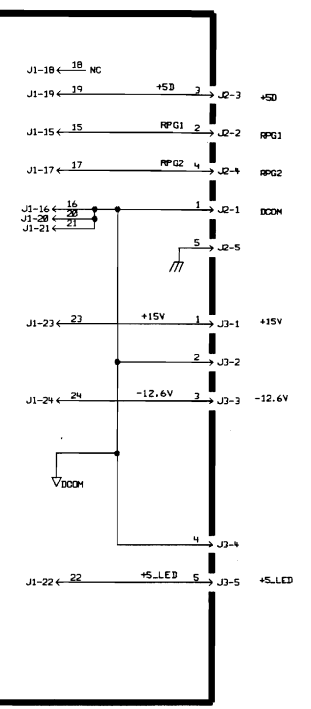
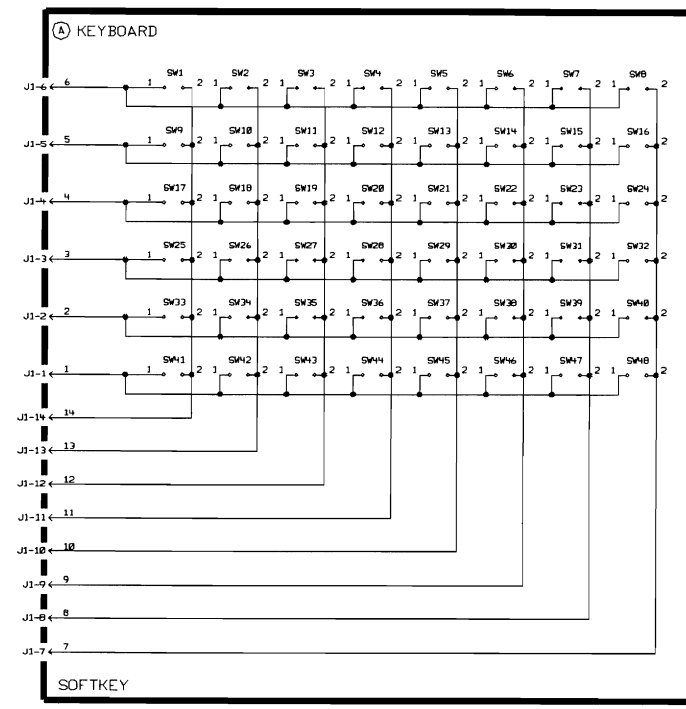
UNLESS OTHERWISE SPECIFIED,
 DIMENSIONS ARE IN INCHES.
 TOLERANCES: XX.XXX .010
 XX.XX .02
 THIRD ANGLE
 PROJECTION
 DO NOT SCALE THIS DRAWING

DRAWN BY	DATE
ENGINEER/CHECKER	DATE
RELEASE TO PROD.	DATE
SUPERSEDES DWG.	

ASSEMBLY, PWB
 KEYBOARD
 TITLE

MENTOR FILENAME	HEWLETT PACKARD
SCALE NONE	08563-60162
SHEET 2 OF 2	PART NUMBER
D-08563-60162-2	

REV	INFORMATION	APPROVED	DATE
A	AS ISSUED PER EC053-12640		



AGILENT TECHNOLOGIES RESTRICTED THIS DOCUMENT CONTAINS CONFIDENTIAL, PROPRIETARY INFORMATION THAT IS AGILENT TECHNOLOGIES PROPERTY. DO NOT DISCLOSE TO OR DUPLICATE FOR OTHERS EXCEPT AS AUTHORIZED BY AGILENT TECHNOLOGIES.		LAST CHECKED ENGINEER DRAWN BY	DATE SHEET 1 OF 1	SCHEMATIC, PWA KEYBOARD	TITLE SHIP_08563/60162/AA3918/Keyboard sheet1 PATHNAME	PART NUMBER 08563-60162
AA3918 ASSY. REV	A3918 REV	1 OF 1	1 OF 1	D-08563-60162-1 FIG. NO.		

Component-Level Information Packet for 08563-60172

Controller



**HP Part No. 08563-90234
Printed in USA June 2000**

Notice. The information contained in this document is subject to change without notice.

Hewlett-Packard makes no warranty of any kind with regard to this material, including, but not limited to, the implied warranties of merchantability and fitness for a particular purpose. Hewlett-Packard shall not be liable for errors contained herein or for incidental or consequential damages in connection with the furnishing, performance, or use of this material.

**HP Part Number 08563-60172
Controller**

Reference Designator	HP Part Number	Qty	Description	Mfr Code	Mfr Part Number
C1	0180-4918	1	CAP-FXD 100uF +-20% 10 V TA	05524	293D107X0010D2
C2	0180-4918	1	CAP-FXD 100uF +-20% 10 V TA	05524	293D107X0010D2
C3	0180-4116	1	CAP-FXD 22uF +-20% 20 V TA	02010	TAJD226M020
C4	0160-7798	1	CAP-FXD 0.1uF +-10% 50 V CER X7R	06352	C2012X7R1H104K
C5	0180-3975	1	CAP-FXD 2.2uF +-20% 20 V TA	02010	TAJB225M020
C6	0180-4918	1	CAP-FXD 100uF +-20% 10 V TA	05524	293D107X0010D2
C7	0180-4918	1	CAP-FXD 100uF +-20% 10 V TA	05524	293D107X0010D2
C8	0160-7798	1	CAP-FXD 0.1uF +-10% 50 V CER X7R	06352	C2012X7R1H104K
C9	0160-7798	1	CAP-FXD 0.1uF +-10% 50 V CER X7R	06352	C2012X7R1H104K
C10	0160-7798	1	CAP-FXD 0.1uF +-10% 50 V CER X7R	06352	C2012X7R1H104K
C11	0160-7798	1	CAP-FXD 0.1uF +-10% 50 V CER X7R	06352	C2012X7R1H104K
C12	0160-7798	1	CAP-FXD 0.1uF +-10% 50 V CER X7R	06352	C2012X7R1H104K
C13	0160-7798	1	CAP-FXD 0.1uF +-10% 50 V CER X7R	06352	C2012X7R1H104K
C14	0160-7798	1	CAP-FXD 0.1uF +-10% 50 V CER X7R	06352	C2012X7R1H104K
C15	0180-4287	1	CAP-FXD 10uF +-20% 35 V TA	02010	TAJD106M035
C16	0180-4758	1	CAP-FXD 47uF +-20% 20 V TA	12340	T491D476M020AS
C17	0180-4758	1	CAP-FXD 47uF +-20% 20 V TA	12340	T491D476M020AS
C18	0160-5961	1	CAP-FXD 22pF +-5% 50 V CER C0G	02010	08055A220JAT A
C19	0160-5963	1	CAP-FXD 18pF +-5% 50 V CER C0G	02010	08055A180JAT A
C23	0160-5945	1	CAP-FXD 0.01uF +-10% 50 V CER X7R	02010	08055C103KAT A
C24	0160-7798	1	CAP-FXD 0.1uF +-10% 50 V CER X7R	06352	C2012X7R1H104K
C25	0160-7798	1	CAP-FXD 0.1uF +-10% 50 V CER X7R	06352	C2012X7R1H104K
C26	0180-4577	1	CAP-FXD 10uF +-20% 10 V TA	12340	T491B106M010AS
C27	0180-4577	1	CAP-FXD 10uF +-20% 10 V TA	12340	T491B106M010AS
C28	0180-3751	1	CAP-FXD 1uF +-20% 35 V TA	02010	TAJB105M035
C29	0180-3751	1	CAP-FXD 1uF +-20% 35 V TA	02010	TAJB105M035
C30	0160-7798	1	CAP-FXD 0.1uF +-10% 50 V CER X7R	06352	C2012X7R1H104K
C31	0160-7798	1	CAP-FXD 0.1uF +-10% 50 V CER X7R	06352	C2012X7R1H104K
C32	0160-7256	1	CAP-FXD 9pF +-2.78% 50 V CER C0G	02010	08055A9ROCAT-A
C33	0160-7798	1	CAP-FXD 0.1uF +-10% 50 V CER X7R	06352	C2012X7R1H104K
C34	0160-5963	1	CAP-FXD 18pF +-5% 50 V CER C0G	02010	08055A180JAT A
C35	0160-5961	1	CAP-FXD 22pF +-5% 50 V CER C0G	02010	08055A220JAT A
C39	0160-7798	1	CAP-FXD 0.1uF +-10% 50 V CER X7R	06352	C2012X7R1H104K
C40	0160-7798	1	CAP-FXD 0.1uF +-10% 50 V CER X7R	06352	C2012X7R1H104K
C41	0160-7798	1	CAP-FXD 0.1uF +-10% 50 V CER X7R	06352	C2012X7R1H104K

**Indicates factory-selected value*

CLIP 08563-90234 1

Scans by ArtekMedia => 2009

**HP Part Number 08563-60172
Controller (continued)**

Reference Designator	HP Part Number	Qty	Description	Mfr Code	Mfr Part Number
C42	0180-4545	1	CAP-FXD 4.7uF +-20% 20 V TA	12340	T491B475M020AS
C43	0180-4545	1	CAP-FXD 4.7uF +-20% 20 V TA	12340	T491B475M020AS
C44	0160-7798	1	CAP-FXD 0.1uF +-10% 50 V CER X7R	06352	C2012X7R1H104K
C45	0160-7798	1	CAP-FXD 0.1uF +-10% 50 V CER X7R	06352	C2012X7R1H104K
C46	0160-7798	1	CAP-FXD 0.1uF +-10% 50 V CER X7R	06352	C2012X7R1H104K
C47	0160-7798	1	CAP-FXD 0.1uF +-10% 50 V CER X7R	06352	C2012X7R1H104K
C48	0160-7798	1	CAP-FXD 0.1uF +-10% 50 V CER X7R	06352	C2012X7R1H104K
C49	0160-7798	1	CAP-FXD 0.1uF +-10% 50 V CER X7R	06352	C2012X7R1H104K
C50	0160-7798	1	CAP-FXD 0.1uF +-10% 50 V CER X7R	06352	C2012X7R1H104K
C51	0160-7798	1	CAP-FXD 0.1uF +-10% 50 V CER X7R	06352	C2012X7R1H104K
C52	0160-7798	1	CAP-FXD 0.1uF +-10% 50 V CER X7R	06352	C2012X7R1H104K
C57	0180-4577	1	CAP-FXD 10uF +-20% 10 V TA	12340	T491B106M010AS
C58	0160-7798	1	CAP-FXD 0.1uF +-10% 50 V CER X7R	06352	C2012X7R1H104K
C59	0180-4577	1	CAP-FXD 10uF +-20% 10 V TA	12340	T491B106M010AS
C60	0160-7798	1	CAP-FXD 0.1uF +-10% 50 V CER X7R	06352	C2012X7R1H104K
C61	0160-7798	1	CAP-FXD 0.1uF +-10% 50 V CER X7R	06352	C2012X7R1H104K
C62	0160-7798	1	CAP-FXD 0.1uF +-10% 50 V CER X7R	06352	C2012X7R1H104K
C63	0160-7798	1	CAP-FXD 0.1uF +-10% 50 V CER X7R	06352	C2012X7R1H104K
C64	0160-7798	1	CAP-FXD 0.1uF +-10% 50 V CER X7R	06352	C2012X7R1H104K
C65	0160-7798	1	CAP-FXD 0.1uF +-10% 50 V CER X7R	06352	C2012X7R1H104K
C66	0160-7798	1	CAP-FXD 0.1uF +-10% 50 V CER X7R	06352	C2012X7R1H104K
C67	0180-4545	1	CAP-FXD 4.7uF +-20% 20 V TA	12340	T491B475M020AS
C68	0180-4545	1	CAP-FXD 4.7uF +-20% 20 V TA	12340	T491B475M020AS
C69	0160-7798	1	CAP-FXD 0.1uF +-10% 50 V CER X7R	06352	C2012X7R1H104K
C70	0160-7798	1	CAP-FXD 0.1uF +-10% 50 V CER X7R	06352	C2012X7R1H104K
C71	0160-7798	1	CAP-FXD 0.1uF +-10% 50 V CER X7R	06352	C2012X7R1H104K
C72	0160-7798	1	CAP-FXD 0.1uF +-10% 50 V CER X7R	06352	C2012X7R1H104K
C76	0180-4577	1	CAP-FXD 10uF +-20% 10 V TA	12340	T491B106M010AS
C77	0180-4577	1	CAP-FXD 10uF +-20% 10 V TA	12340	T491B106M010AS
C78	0180-4577	1	CAP-FXD 10uF +-20% 10 V TA	12340	T491B106M010AS
C79	0160-7798	1	CAP-FXD 0.1uF +-10% 50 V CER X7R	06352	C2012X7R1H104K
C80	0160-7798	1	CAP-FXD 0.1uF +-10% 50 V CER X7R	06352	C2012X7R1H104K
C81	0160-7798	1	CAP-FXD 0.1uF +-10% 50 V CER X7R	06352	C2012X7R1H104K
C82	0180-4577	1	CAP-FXD 10uF +-20% 10 V TA	12340	T491B106M010AS
C83	0160-7798	1	CAP-FXD 0.1uF +-10% 50 V CER X7R	06352	C2012X7R1H104K

**HP Part Number 08563-60172
Controller (continued)**

Reference Designator	HP Part Number	Qty	Description	Mfr Code	Mfr Part Number
C84	0160-7798	1	CAP-FXD 0.1uF +-10% 50 V CER X7R	06352	C2012X7R1H104K
C85	0160-7798	1	CAP-FXD 0.1uF +-10% 50 V CER X7R	06352	C2012X7R1H104K
C86	0160-7798	1	CAP-FXD 0.1uF +-10% 50 V CER X7R	06352	C2012X7R1H104K
C87	0160-7798	1	CAP-FXD 0.1uF +-10% 50 V CER X7R	06352	C2012X7R1H104K
C88	0160-5957	1	CAP-FXD 47pF +-5% 50 V CER C0G	02010	08055A470JAT A
C89	0160-5958	1	CAP-FXD 39pF +-5% 50 V CER C0G	02010	08055A390JAT A
C96	0160-7798	1	CAP-FXD 0.1uF +-10% 50 V CER X7R	06352	C2012X7R1H104K
C97	0160-7798	1	CAP-FXD 0.1uF +-10% 50 V CER X7R	06352	C2012X7R1H104K
C98	0160-7798	1	CAP-FXD 0.1uF +-10% 50 V CER X7R	06352	C2012X7R1H104K
C99	0160-7798	1	CAP-FXD 0.1uF +-10% 50 V CER X7R	06352	C2012X7R1H104K
C100	0160-7798	1	CAP-FXD 0.1uF +-10% 50 V CER X7R	06352	C2012X7R1H104K
C101	0160-7798	1	CAP-FXD 0.1uF +-10% 50 V CER X7R	06352	C2012X7R1H104K
C102	0160-7798	1	CAP-FXD 0.1uF +-10% 50 V CER X7R	06352	C2012X7R1H104K
C103	0160-7798	1	CAP-FXD 0.1uF +-10% 50 V CER X7R	06352	C2012X7R1H104K
C104	0160-7798	1	CAP-FXD 0.1uF +-10% 50 V CER X7R	06352	C2012X7R1H104K
C105	0160-7798	1	CAP-FXD 0.1uF +-10% 50 V CER X7R	06352	C2012X7R1H104K
C106	0160-5958	1	CAP-FXD 39pF +-5% 50 V CER C0G	02010	08055A390JAT A
C107	0160-7798	1	CAP-FXD 0.1uF +-10% 50 V CER X7R	06352	C2012X7R1H104K
C108	0160-5957	1	CAP-FXD 47pF +-5% 50 V CER C0G	02010	08055A470JAT A
C115	0160-7798	1	CAP-FXD 0.1uF +-10% 50 V CER X7R	06352	C2012X7R1H104K
C116	0160-7798	1	CAP-FXD 0.1uF +-10% 50 V CER X7R	06352	C2012X7R1H104K
C117	0160-7798	1	CAP-FXD 0.1uF +-10% 50 V CER X7R	06352	C2012X7R1H104K
C118	0160-7798	1	CAP-FXD 0.1uF +-10% 50 V CER X7R	06352	C2012X7R1H104K
C119	0160-7798	1	CAP-FXD 0.1uF +-10% 50 V CER X7R	06352	C2012X7R1H104K
C120	0160-7798	1	CAP-FXD 0.1uF +-10% 50 V CER X7R	06352	C2012X7R1H104K
C121	0160-7798	1	CAP-FXD 0.1uF +-10% 50 V CER X7R	06352	C2012X7R1H104K
C122	0160-7708	1	CAP-FXD 1000pF +-5% 50 V CER C0G	02010	08055A102JATRA
C123	0160-5963	1	CAP-FXD 18pF +-5% 50 V CER C0G	02010	08055A180JAT A
C126	0160-7798	1	CAP-FXD 0.1uF +-10% 50 V CER X7R	06352	C2012X7R1H104K
C127	0160-7798	1	CAP-FXD 0.1uF +-10% 50 V CER X7R	06352	C2012X7R1H104K
C128	0160-7388	1	CAP-FXD 240pF +-5% 50 V CER C0G	06352	C2012C0G1H241JT
C129	0160-7388	1	CAP-FXD 240pF +-5% 50 V CER C0G	06352	C2012C0G1H241JT
C130	0160-7798	1	CAP-FXD 0.1uF +-10% 50 V CER X7R	06352	C2012X7R1H104K
C131	0160-7708	1	CAP-FXD 1000pF +-5% 50 V CER C0G	02010	08055A102JATRA
C132	0160-7708	1	CAP-FXD 1000pF +-5% 50 V CER C0G	02010	08055A102JATRA

**Indicates factory-selected value*

CLIP 08563-90234 3

Scans by ArtekMedia => 2009

**HP Part Number 08563-60172
Controller (continued)**

Reference Designator	HP Part Number	Qty	Description	Mfr Code	Mfr Part Number
C136	0160-7708	1	CAP-FXD 1000pF +-5% 50 V CER C0G	02010	08055A102JATRA
C137	0160-7798	1	CAP-FXD 0.1uF +-10% 50 V CER X7R	06352	C2012X7R1H104K
C138	0180-4287	1	CAP-FXD 10uF +-20% 35 V TA	02010	TAJD106M035
C141	0160-7798	1	CAP-FXD 0.1uF +-10% 50 V CER X7R	06352	C2012X7R1H104K
C142	0160-7708	1	CAP-FXD 1000pF +-5% 50 V CER C0G	02010	08055A102JATRA
C149	0160-5967	1	CAP-FXD 100pF +-5% 50 V CER C0G	06352	C2012COG1H101J
C150	0160-7798	1	CAP-FXD 0.1uF +-10% 50 V CER X7R	06352	C2012X7R1H104K
C151	0160-7798	1	CAP-FXD 0.1uF +-10% 50 V CER X7R	06352	C2012X7R1H104K
C153	0160-5962	1	CAP-FXD 15pF +-5% 50 V CER C0G	09939	GRM40C0G150J050
C154	0180-4558	1	CAP-FXD 33uF +-20% 20 V TA	12340	T491D336M020AS
C155	0180-4558	1	CAP-FXD 33uF +-20% 20 V TA	12340	T491D336M020AS
C156	0160-7798	1	CAP-FXD 0.1uF +-10% 50 V CER X7R	06352	C2012X7R1H104K
C157	0160-7798	1	CAP-FXD 0.1uF +-10% 50 V CER X7R	06352	C2012X7R1H104K
C158	0160-7798	1	CAP-FXD 0.1uF +-10% 50 V CER X7R	06352	C2012X7R1H104K
C159	0160-7798	1	CAP-FXD 0.1uF +-10% 50 V CER X7R	06352	C2012X7R1H104K
C160	0160-7798	1	CAP-FXD 0.1uF +-10% 50 V CER X7R	06352	C2012X7R1H104K
C161	0160-7798	1	CAP-FXD 0.1uF +-10% 50 V CER X7R	06352	C2012X7R1H104K
C162	0160-7798	1	CAP-FXD 0.1uF +-10% 50 V CER X7R	06352	C2012X7R1H104K
C163	0160-7798	1	CAP-FXD 0.1uF +-10% 50 V CER X7R	06352	C2012X7R1H104K
C164	0160-7798	1	CAP-FXD 0.1uF +-10% 50 V CER X7R	06352	C2012X7R1H104K
C165	0160-7798	1	CAP-FXD 0.1uF +-10% 50 V CER X7R	06352	C2012X7R1H104K
C166	0160-7798	1	CAP-FXD 0.1uF +-10% 50 V CER X7R	06352	C2012X7R1H104K
C167	0160-7798	1	CAP-FXD 0.1uF +-10% 50 V CER X7R	06352	C2012X7R1H104K
C168	0160-7798	1	CAP-FXD 0.1uF +-10% 50 V CER X7R	06352	C2012X7R1H104K
C169	0160-7798	1	CAP-FXD 0.1uF +-10% 50 V CER X7R	06352	C2012X7R1H104K
C170	0160-7798	1	CAP-FXD 0.1uF +-10% 50 V CER X7R	06352	C2012X7R1H104K
C171	0160-7798	1	CAP-FXD 0.1uF +-10% 50 V CER X7R	06352	C2012X7R1H104K
C172	0160-7798	1	CAP-FXD 0.1uF +-10% 50 V CER X7R	06352	C2012X7R1H104K
C173	0160-7798	1	CAP-FXD 0.1uF +-10% 50 V CER X7R	06352	C2012X7R1H104K
C174	0160-7798	1	CAP-FXD 0.1uF +-10% 50 V CER X7R	06352	C2012X7R1H104K
C175	0160-7798	1	CAP-FXD 0.1uF +-10% 50 V CER X7R	06352	C2012X7R1H104K
C176	0160-7798	1	CAP-FXD 0.1uF +-10% 50 V CER X7R	06352	C2012X7R1H104K
C177	0160-7798	1	CAP-FXD 0.1uF +-10% 50 V CER X7R	06352	C2012X7R1H104K
C178	0160-7798	1	CAP-FXD 0.1uF +-10% 50 V CER X7R	06352	C2012X7R1H104K
C179	0160-7798	1	CAP-FXD 0.1uF +-10% 50 V CER X7R	06352	C2012X7R1H104K

**HP Part Number 08563-60172
Controller (continued)**

Reference Designator	HP Part Number	Qty	Description	Mfr Code	Mfr Part Number
C180	0160-7798	1	CAP-FXD 0.1uF +-10% 50 V CER X7R	06352	C2012X7R1H104K
CR1	1901-1227	1	DIODE-SWITCHING 75V 200MA 6NS TO-236	02910	BAS16
CR2	1901-1227	1	DIODE-SWITCHING 75V 200MA 6NS TO-236	02910	BAS16
D1	1900-0078	1	DIODE-SCHOTTKY SM SIG	01542	HSMS-2800
D2	1906-0320	1	DIODE-DUAL 40V 40MA TO-236AA	36393	BAS 40-04
D3	1906-0320	1	DIODE-DUAL 40V 40MA TO-236AA	36393	BAS 40-04
D4	1990-1716	1	LED-LAMP LUM-INT=1.6MCD IF=20MA-MAX	01542	HSMY-C670
D5	1990-1716	1	LED-LAMP LUM-INT=1.6MCD IF=20MA-MAX	01542	HSMY-C670
D6	1990-1716	1	LED-LAMP LUM-INT=1.6MCD IF=20MA-MAX	01542	HSMY-C670
D7	1990-1716	1	LED-LAMP LUM-INT=1.6MCD IF=20MA-MAX	01542	HSMY-C670
D8	1990-1716	1	LED-LAMP LUM-INT=1.6MCD IF=20MA-MAX	01542	HSMY-C670
E1	9170-1421	1	CORE-SHIELDING BEAD	06352	HF50ACB-322513
E2	9170-1421	1	CORE-SHIELDING BEAD	06352	HF50ACB-322513
J1	1252-1063	1	CONN-POST TYPE .100-PIN-SPCG-MTG-END	13369	67916-181
J2	1252-1064	1	CONN-POST TYPE .100-PIN-SPCG-MTG-END	01380	1-746878-0
J3	1252-1882	1	CONN-POST TYPE .100-PIN-SPCG-MTG-END	13369	78208-103
J5	1250-0543	1	CONNECTOR-RF SMB MALE PC-W-STDFS 50-OHM	07247	59S213-40TD3
J7	1252-1065	1	CONN-POST TYPE .100-PIN-SPCG-MTG-END	07797	1252-1065
J8	1252-6592	1	CONN-RECT MICRORBN 80-CKT 80-CONT	03418	71661-2080
J9	1250-0543	1	CONNECTOR-RF SMB MALE PC-W-STDFS 50-OHM	07247	59S213-40TD3
J10	1250-0543	1	CONNECTOR-RF SMB MALE PC-W-STDFS 50-OHM	07247	59S213-40TD3
J11	1252-1064	1	CONN-POST TYPE .100-PIN-SPCG-MTG-END	01380	1-746878-0
J12	1252-0523	1	CONN-POST TYPE .100-PIN-SPCG-MTG-END	01380	641216-3
J13	1250-0543	1	CONNECTOR-RF SMB MALE PC-W-STDFS 50-OHM	07247	59S213-40TD3
L1	9140-1784	1	INDUCTOR 100uH +-20% 9.4W-mmX12.95LG-mm	01886	DO3316-104
L2	9140-1784	1	INDUCTOR 100uH +-20% 9.4W-mmX12.95LG-mm	01886	DO3316-104
L3	9140-1784	1	INDUCTOR 100uH +-20% 9.4W-mmX12.95LG-mm	01886	DO3316-104
L4	9140-2112	1	INDUCTOR 150uH +20% -20%	01886	DO5022P-154
L5	9140-2112	1	INDUCTOR 150uH +20% -20%	01886	DO5022P-154
L6	9140-2112	1	INDUCTOR 150uH +20% -20%	01886	DO5022P-154
L7	9140-2112	1	INDUCTOR 150uH +20% -20%	01886	DO5022P-154
L8	9140-1101	1	INDUCTOR 470nH +-5% 2.8W-mmX3.4LG-mm	09891	KL32TER47J
L9	9140-1101	1	INDUCTOR 470nH +-5% 2.8W-mmX3.4LG-mm	09891	KL32TER47J
L10	9140-1509	1	INDUCTOR 2.2uH +-5% 2.8W-mmX3.4LG-mm	06352	NL32252T-2R2J
L11	9140-2209	1	INDUCTOR RF-CH-MLD 2.5uH	06352	ZCCS5001

**Indicates factory-selected value*

CLIP 08563-90234 5

Scans by ArtekMedia => 2009

**HP Part Number 08563-60172
Controller (continued)**

Reference Designator	HP Part Number	Qty	Description	Mfr Code	Mfr Part Number
L12	9140-1101	1	INDUCTOR 470nH +-5% 2.8W-mmX3.4LG-mm	09891	KL32TER47J
L13	9140-1101	1	INDUCTOR 470nH +-5% 2.8W-mmX3.4LG-mm	09891	KL32TER47J
L14	9140-1206	1	INDUCTOR 100nH +-5% 2.8W-mmX3.4LG-mm	06352	NL322522T-R10J
L15	9140-1509	1	INDUCTOR 2.2uH +-5% 2.8W-mmX3.4LG-mm	06352	NL322522T-2R2J
L16	9140-1236	1	INDUCTOR 1uH +-5% 2.8W-mmX3.4LG-mm Q=30	06352	NL322522T-1R0J
L17	9140-1236	1	INDUCTOR 1uH +-5% 2.8W-mmX3.4LG-mm Q=30	06352	NL322522T-1R0J
L18	9140-1206	1	INDUCTOR 100nH +-5% 2.8W-mmX3.4LG-mm	06352	NL322522T-R10J
L19	9140-1206	1	INDUCTOR 100nH +-5% 2.8W-mmX3.4LG-mm	06352	NL322522T-R10J
L20	9140-1206	1	INDUCTOR 100nH +-5% 2.8W-mmX3.4LG-mm	06352	NL322522T-R10J
L21	9140-1206	1	INDUCTOR 100nH +-5% 2.8W-mmX3.4LG-mm	06352	NL322522T-R10J
MP7	5041-7283	1	CLIP-LONG	28480	5041-7283
MP8	0624-0099	1	SCREW-TPG 4-40 .375-IN-LG PAN-HD-POZI	04525	0624-0099
MP15	1400-0866	1	CLAMP-CABLE .187-DIA .25-WD NYL	07158	C61332AA
MP16	1258-0141	1	JUMPER-REMOVABLE FOR 0.025 IN SQ PINS	01380	530153-2
P1	1252-1325	1	CONN-POST TYPE .100-PIN-SPCG-MTG-END	04726	N2510-6002UB
P2	1251-8105	1	CONN-POST TYPE .100-PIN-SPCG-MTG-END	04726	2516-6002UB
Q1	1853-0567	1	TRANSISTOR PNP SI SOT-23 (TO-236AB)	12125	KST3906
Q2	1854-1053	1	TRANSISTOR NPN SI SOT-23 (TO-236AB)	12125	KST2222A
Q3	1854-1037	1	TRANSISTOR NPN SI TO-236AA PD=350MW	00746	SST3904T116
R1	0699-3963	1	RESISTOR 4.64K +-1% .063W TKF TC=0+-200	09891	RK73H1J4641F
R2	0699-3963	1	RESISTOR 4.64K +-1% .063W TKF TC=0+-200	09891	RK73H1J4641F
R3	0699-3963	1	RESISTOR 4.64K +-1% .063W TKF TC=0+-200	09891	RK73H1J4641F
R4	0699-3963	1	RESISTOR 4.64K +-1% .063W TKF TC=0+-200	09891	RK73H1J4641F
R5	0699-3931	1	RESISTOR 196 +-1% .063W TKF TC=0+-200	09891	RK73H1J1960F
R6	0699-1466	1	RESISTOR 10M +-10% .125W TKF TC=0+-200	09891	RM73B2BT106K
R7	0699-1357	1	RESISTOR 34.8 +-1% .125W TKF TC=0+-100	09891	RK73H2BT34R8F
R8	0699-3956	1	RESISTOR 2.37K +-1% .063W TKF TC=0+-200	09891	RK73H1J2371F
R9	0699-3943	1	RESISTOR 681 +-1% .063W TKF TC=0+-200	00746	MCR03-F-6810
R10	0699-3963	1	RESISTOR 4.64K +-1% .063W TKF TC=0+-200	09891	RK73H1J4641F
R11	0699-3963	1	RESISTOR 4.64K +-1% .063W TKF TC=0+-200	09891	RK73H1J4641F
R12	0699-3963	1	RESISTOR 4.64K +-1% .063W TKF TC=0+-200	09891	RK73H1J4641F
R13	0699-3963	1	RESISTOR 4.64K +-1% .063W TKF TC=0+-200	09891	RK73H1J4641F
R14	0699-3963	1	RESISTOR 4.64K +-1% .063W TKF TC=0+-200	09891	RK73H1J4641F
R15	0699-3970	1	RESISTOR 10K +-1% .063W TKF TC=0+-200	09891	RK73H1J1002F
R20	0699-3970	1	RESISTOR 10K +-1% .063W TKF TC=0+-200	09891	RK73H1J1002F

**HP Part Number 08563-60172
Controller (continued)**

Reference Designator	HP Part Number	Qty	Description	Mfr Code	Mfr Part Number
R21	0699-3911	1	RESISTOR 26.1 +-1% .063W TKF TC=0+-200	05524	CRCW060326R1F
R22	0699-3941	1	RESISTOR 511 +-1% .063W TKF TC=0+-200	00746	MCR03-F-5110
R23	0699-3939	1	RESISTOR 422 +-1% .063W TKF TC=0+-200	09891	RK73H1J4220F
R24	0699-3967	1	RESISTOR 7.5K +-1% .063W TKF TC=0+-200	09891	RK73H1J7501F
R25	0699-3947	1	RESISTOR 1K +-1% .063W TKF TC=0+-200	00746	MCR03-F-1001
R26	0699-3947	1	RESISTOR 1K +-1% .063W TKF TC=0+-200	00746	MCR03-F-1001
R27	0699-3962	1	RESISTOR 4.22K +-1% .063W TKF TC=0+-200	09891	RK73H1J4221F
R28	0699-3961	1	RESISTOR 3.83K +-1% .063W TKF TC=0+-200	09891	RK73H1J3831F
R29	0699-3924	1	RESISTOR 100 +-1% .063W TKF TC=0+-200	00746	MCR03-F-1000
R30	0699-3924	1	RESISTOR 100 +-1% .063W TKF TC=0+-200	00746	MCR03-F-1000
R31	0699-3924	1	RESISTOR 100 +-1% .063W TKF TC=0+-200	00746	MCR03-F-1000
R32	0699-3924	1	RESISTOR 100 +-1% .063W TKF TC=0+-200	00746	MCR03-F-1000
R33	0699-3963	1	RESISTOR 4.64K +-1% .063W TKF TC=0+-200	09891	RK73H1J4641F
R34	0699-3963	1	RESISTOR 4.64K +-1% .063W TKF TC=0+-200	09891	RK73H1J4641F
R35	0699-3970	1	RESISTOR 10K +-1% .063W TKF TC=0+-200	09891	RK73H1J1002F
R36	0699-3963	1	RESISTOR 4.64K +-1% .063W TKF TC=0+-200	09891	RK73H1J4641F
R37	0699-3941	1	RESISTOR 511 +-1% .063W TKF TC=0+-200	00746	MCR03-F-5110
R38	0699-3947	1	RESISTOR 1K +-1% .063W TKF TC=0+-200	00746	MCR03-F-1001
R39	0699-3945	1	RESISTOR 825 +-1% .063W TKF TC=0+-200	00746	MCR03-F-8250
R40	0699-3946	1	RESISTOR 909 +-1% .063W TKF TC=0+-200	00746	MCR03-F-9090
R41	0699-3924	1	RESISTOR 100 +-1% .063W TKF TC=0+-200	00746	MCR03-F-1000
R42	0699-3963	1	RESISTOR 4.64K +-1% .063W TKF TC=0+-200	09891	RK73H1J4641F
R43	0699-3963	1	RESISTOR 4.64K +-1% .063W TKF TC=0+-200	09891	RK73H1J4641F
R44	0699-3963	1	RESISTOR 4.64K +-1% .063W TKF TC=0+-200	09891	RK73H1J4641F
R47	0699-3911	1	RESISTOR 26.1 +-1% .063W TKF TC=0+-200	05524	CRCW060326R1F
R48	0699-3936	1	RESISTOR 316 +-1% .063W TKF TC=0+-200	00746	MCR03-F-3160
R49	0699-3918	1	RESISTOR 51.1 +-1% .063W TKF TC=0+-200	00746	MCR03-F-51R1
R50	0699-3918	1	RESISTOR 51.1 +-1% .063W TKF TC=0+-200	00746	MCR03-F-51R1
R51	0699-3924	1	RESISTOR 100 +-1% .063W TKF TC=0+-200	00746	MCR03-F-1000
R52	0699-3924	1	RESISTOR 100 +-1% .063W TKF TC=0+-200	00746	MCR03-F-1000
R53	0699-3924	1	RESISTOR 100 +-1% .063W TKF TC=0+-200	00746	MCR03-F-1000
R54	0699-3924	1	RESISTOR 100 +-1% .063W TKF TC=0+-200	00746	MCR03-F-1000
R55	0699-3901	1	RESISTOR 10 +-1% .063W TKF TC=0+-200	00746	MCR03-F-10R0
R56	0699-3970	1	RESISTOR 10K +-1% .063W TKF TC=0+-200	09891	RK73H1J1002F
R57	0699-3970	1	RESISTOR 10K +-1% .063W TKF TC=0+-200	09891	RK73H1J1002F

**Indicates factory-selected value*

CLIP 08563-90234 7

Scans by ArtekMedia => 2009

**HP Part Number 08563-60172
Controller (continued)**

Reference Designator	HP Part Number	Qty	Description	Mfr Code	Mfr Part Number
R58	0699-3963	1	RESISTOR 4.64K +-1% .063W TKF TC=0+-200	09891	RK73H1J4641F
R59	0699-3963	1	RESISTOR 4.64K +-1% .063W TKF TC=0+-200	09891	RK73H1J4641F
R60	0699-3963	1	RESISTOR 4.64K +-1% .063W TKF TC=0+-200	09891	RK73H1J4641F
R61	0699-3963	1	RESISTOR 4.64K +-1% .063W TKF TC=0+-200	09891	RK73H1J4641F
R62	0699-3963	1	RESISTOR 4.64K +-1% .063W TKF TC=0+-200	09891	RK73H1J4641F
R63	0699-3963	1	RESISTOR 4.64K +-1% .063W TKF TC=0+-200	09891	RK73H1J4641F
R64	0699-3963	1	RESISTOR 4.64K +-1% .063W TKF TC=0+-200	09891	RK73H1J4641F
R65	0699-3574	1	RESISTOR 0 .0625W TKF	09891	RM73Z1JT
R66	0699-3963	1	RESISTOR 4.64K +-1% .063W TKF TC=0+-200	09891	RK73H1J4641F
R67	0699-3963	1	RESISTOR 4.64K +-1% .063W TKF TC=0+-200	09891	RK73H1J4641F
R68	0699-3970	1	RESISTOR 10K +-1% .063W TKF TC=0+-200	09891	RK73H1J1002F
R69	0699-3970	1	RESISTOR 10K +-1% .063W TKF TC=0+-200	09891	RK73H1J1002F
R70	0699-3972	1	RESISTOR 12.1K +-1% .063W TKF TC=0+-200	09891	RK73H1J1212F
R71	0699-3974	1	RESISTOR 14.7K +-1% .063W TKF TC=0+-200	00746	MCR03-F-1472
R72	0699-3963	1	RESISTOR 4.64K +-1% .063W TKF TC=0+-200	09891	RK73H1J4641F
R73	0699-3963	1	RESISTOR 4.64K +-1% .063W TKF TC=0+-200	09891	RK73H1J4641F
R74	0699-3963	1	RESISTOR 4.64K +-1% .063W TKF TC=0+-200	09891	RK73H1J4641F
R75	0699-3963	1	RESISTOR 4.64K +-1% .063W TKF TC=0+-200	09891	RK73H1J4641F
R76	0699-3963	1	RESISTOR 4.64K +-1% .063W TKF TC=0+-200	09891	RK73H1J4641F
R77	0699-3963	1	RESISTOR 4.64K +-1% .063W TKF TC=0+-200	09891	RK73H1J4641F
R78	0699-3980	1	RESISTOR 26.1K +-1% .063W TKF TC=0+-100	09891	RK73H1J2612F
R79	0699-3980	1	RESISTOR 26.1K +-1% .063W TKF TC=0+-100	09891	RK73H1J2612F
R80	0699-3963	1	RESISTOR 4.64K +-1% .063W TKF TC=0+-200	09891	RK73H1J4641F
R81	0699-3963	1	RESISTOR 4.64K +-1% .063W TKF TC=0+-200	09891	RK73H1J4641F
R82	0699-3963	1	RESISTOR 4.64K +-1% .063W TKF TC=0+-200	09891	RK73H1J4641F
R83	0699-3963	1	RESISTOR 4.64K +-1% .063W TKF TC=0+-200	09891	RK73H1J4641F
R84	0699-3963	1	RESISTOR 4.64K +-1% .063W TKF TC=0+-200	09891	RK73H1J4641F
R85	0699-3574	1	RESISTOR 0 .0625W TKF	09891	RM73Z1JT
R86	0699-3963	1	RESISTOR 4.64K +-1% .063W TKF TC=0+-200	09891	RK73H1J4641F
R89	0699-3963	1	RESISTOR 4.64K +-1% .063W TKF TC=0+-200	09891	RK73H1J4641F
R90	0699-3967	1	RESISTOR 7.5K +-1% .063W TKF TC=0+-200	09891	RK73H1J7501F
R91	0699-3963	1	RESISTOR 4.64K +-1% .063W TKF TC=0+-200	09891	RK73H1J4641F
R92	0699-3936	1	RESISTOR 316 +-1% .063W TKF TC=0+-200	00746	MCR03-F-3160
R93	0699-3970	1	RESISTOR 10K +-1% .063W TKF TC=0+-200	09891	RK73H1J1002F
R94	0699-3963	1	RESISTOR 4.64K +-1% .063W TKF TC=0+-200	09891	RK73H1J4641F

**HP Part Number 08563-60172
Controller (continued)**

Reference Designator	HP Part Number	Qty	Description	Mfr Code	Mfr Part Number
R95	0699-3959	1	RESISTOR 3.16K +-1% .063W TKF TC=0+-200	00746	MCR03-F-3161
R96	0699-3924	1	RESISTOR 100 +-1% .063W TKF TC=0+-200	00746	MCR03-F-1000
R97	0699-3963	1	RESISTOR 4.64K +-1% .063W TKF TC=0+-200	09891	RK73H1J4641F
R98	0699-3963	1	RESISTOR 4.64K +-1% .063W TKF TC=0+-200	09891	RK73H1J4641F
R99	0699-3963	1	RESISTOR 4.64K +-1% .063W TKF TC=0+-200	09891	RK73H1J4641F
R100	0699-3963	1	RESISTOR 4.64K +-1% .063W TKF TC=0+-200	09891	RK73H1J4641F
R101	0699-3963	1	RESISTOR 4.64K +-1% .063W TKF TC=0+-200	09891	RK73H1J4641F
R102	0699-3963	1	RESISTOR 4.64K +-1% .063W TKF TC=0+-200	09891	RK73H1J4641F
R103	0699-3963	1	RESISTOR 4.64K +-1% .063W TKF TC=0+-200	09891	RK73H1J4641F
R104	0699-3959	1	RESISTOR 3.16K +-1% .063W TKF TC=0+-200	00746	MCR03-F-3161
R105	0699-3959	1	RESISTOR 3.16K +-1% .063W TKF TC=0+-200	00746	MCR03-F-3161
R109	0699-3963	1	RESISTOR 4.64K +-1% .063W TKF TC=0+-200	09891	RK73H1J4641F
R110	0699-3963	1	RESISTOR 4.64K +-1% .063W TKF TC=0+-200	09891	RK73H1J4641F
R111	0699-3963	1	RESISTOR 4.64K +-1% .063W TKF TC=0+-200	09891	RK73H1J4641F
R112	0699-3963	1	RESISTOR 4.64K +-1% .063W TKF TC=0+-200	09891	RK73H1J4641F
R113	0699-3963	1	RESISTOR 4.64K +-1% .063W TKF TC=0+-200	09891	RK73H1J4641F
R114	0699-3963	1	RESISTOR 4.64K +-1% .063W TKF TC=0+-200	09891	RK73H1J4641F
R116	0699-3963	1	RESISTOR 4.64K +-1% .063W TKF TC=0+-200	09891	RK73H1J4641F
R117	0699-3963	1	RESISTOR 4.64K +-1% .063W TKF TC=0+-200	09891	RK73H1J4641F
R118	0699-3963	1	RESISTOR 4.64K +-1% .063W TKF TC=0+-200	09891	RK73H1J4641F
R119	0699-3963	1	RESISTOR 4.64K +-1% .063W TKF TC=0+-200	09891	RK73H1J4641F
R120	0699-3963	1	RESISTOR 4.64K +-1% .063W TKF TC=0+-200	09891	RK73H1J4641F
R121	0699-3963	1	RESISTOR 4.64K +-1% .063W TKF TC=0+-200	09891	RK73H1J4641F
R122	0699-3963	1	RESISTOR 4.64K +-1% .063W TKF TC=0+-200	09891	RK73H1J4641F
R123	0699-3963	1	RESISTOR 4.64K +-1% .063W TKF TC=0+-200	09891	RK73H1J4641F
R124	0699-3963	1	RESISTOR 4.64K +-1% .063W TKF TC=0+-200	09891	RK73H1J4641F
R125	0699-3963	1	RESISTOR 4.64K +-1% .063W TKF TC=0+-200	09891	RK73H1J4641F
R126	0699-3963	1	RESISTOR 4.64K +-1% .063W TKF TC=0+-200	09891	RK73H1J4641F
R127	0699-3963	1	RESISTOR 4.64K +-1% .063W TKF TC=0+-200	09891	RK73H1J4641F
R128	0699-3963	1	RESISTOR 4.64K +-1% .063W TKF TC=0+-200	09891	RK73H1J4641F
R129	0699-3963	1	RESISTOR 4.64K +-1% .063W TKF TC=0+-200	09891	RK73H1J4641F
R130	0699-3963	1	RESISTOR 4.64K +-1% .063W TKF TC=0+-200	09891	RK73H1J4641F
R131	0699-3963	1	RESISTOR 4.64K +-1% .063W TKF TC=0+-200	09891	RK73H1J4641F
R132	0699-3963	1	RESISTOR 4.64K +-1% .063W TKF TC=0+-200	09891	RK73H1J4641F
R133	0699-3963	1	RESISTOR 4.64K +-1% .063W TKF TC=0+-200	09891	RK73H1J4641F

**Indicates factory-selected value*

CLIP 08563-90234 9

Scans by ArtekMedia => 2009

**HP Part Number 08563-60172
Controller (continued)**

Reference Designator	HP Part Number	Qty	Description	Mfr Code	Mfr Part Number
R134	0699-3963	1	RESISTOR 4.64K +-1% .063W TKF TC=0+-200	09891	RK73H1J4641F
R135	0699-3963	1	RESISTOR 4.64K +-1% .063W TKF TC=0+-200	09891	RK73H1J4641F
R136	0699-3963	1	RESISTOR 4.64K +-1% .063W TKF TC=0+-200	09891	RK73H1J4641F
R137	0699-3963	1	RESISTOR 4.64K +-1% .063W TKF TC=0+-200	09891	RK73H1J4641F
R138	0699-3963	1	RESISTOR 4.64K +-1% .063W TKF TC=0+-200	09891	RK73H1J4641F
R139	0699-3963	1	RESISTOR 4.64K +-1% .063W TKF TC=0+-200	09891	RK73H1J4641F
R140	0699-3963	1	RESISTOR 4.64K +-1% .063W TKF TC=0+-200	09891	RK73H1J4641F
R141	0699-3963	1	RESISTOR 4.64K +-1% .063W TKF TC=0+-200	09891	RK73H1J4641F
R142	0699-3963	1	RESISTOR 4.64K +-1% .063W TKF TC=0+-200	09891	RK73H1J4641F
R143	0699-3963	1	RESISTOR 4.64K +-1% .063W TKF TC=0+-200	09891	RK73H1J4641F
R144	0699-3947	1	RESISTOR 1K +-1% .063W TKF TC=0+-200	00746	MCR03-F-1001
R145	0699-3970	1	RESISTOR 10K +-1% .063W TKF TC=0+-200	09891	RK73H1J1002F
R146	0699-3918	1	RESISTOR 51.1 +-1% .063W TKF TC=0+-200	00746	MCR03-F-51R1
R147	0699-3963	1	RESISTOR 4.64K +-1% .063W TKF TC=0+-200	09891	RK73H1J4641F
R148	0699-3960	1	RESISTOR 3.48K +-1% .063W TKF TC=0+-200	09891	RK73H1J3481F
R149	0699-3960	1	RESISTOR 3.48K +-1% .063W TKF TC=0+-200	09891	RK73H1J3481F
R150	0699-3936	1	RESISTOR 316 +-1% .063W TKF TC=0+-200	00746	MCR03-F-3160
R151	0699-3950	1	RESISTOR 1.33K +-1% .063W TKF TC=0+-200	00746	MCR03-F-1331
R152	0699-3950	1	RESISTOR 1.33K +-1% .063W TKF TC=0+-200	00746	MCR03-F-1331
R153	0699-3950	1	RESISTOR 1.33K +-1% .063W TKF TC=0+-200	00746	MCR03-F-1331
R154	0699-3950	1	RESISTOR 1.33K +-1% .063W TKF TC=0+-200	00746	MCR03-F-1331
R155	0699-3947	1	RESISTOR 1K +-1% .063W TKF TC=0+-200	00746	MCR03-F-1001
R156	0699-3574	1	RESISTOR 0 .0625W TKF	09891	RM73Z1JT
R157	0699-3574	1	RESISTOR 0 .0625W TKF	09891	RM73Z1JT
R158	0699-3963	1	RESISTOR 4.64K +-1% .063W TKF TC=0+-200	09891	RK73H1J4641F
R159	0699-3963	1	RESISTOR 4.64K +-1% .063W TKF TC=0+-200	09891	RK73H1J4641F
R160	0699-3947	1	RESISTOR 1K +-1% .063W TKF TC=0+-200	00746	MCR03-F-1001
R161	0699-3947	1	RESISTOR 1K +-1% .063W TKF TC=0+-200	00746	MCR03-F-1001
R162	0699-1357	1	RESISTOR 34.8 +-1% .125W TKF TC=0+-100	09891	RK73H2BT34R8F
R163	0699-1357	1	RESISTOR 34.8 +-1% .125W TKF TC=0+-100	09891	RK73H2BT34R8F
U1	1826-1897	1	IC PWR MGT-VS-SUPVR/CONT	01698	TL7705ACD
U2	1826-1572	1	IC COMPARATOR PRCN DUAL 8 PIN PLSTC-SOIC	02910	LM393D
U3	1820-4998	1	IC GATE TTL/F OR QUAD 2-INP	02910	74F32D
U4	1826-1783	1	IC PWR MGT-V-REG-FXD-NEG -4.8/-5.2V 8	03406	79L05ACM
U5	1826-1783	1	IC PWR MGT-V-REG-FXD-NEG -4.8/-5.2V 8	03406	79L05ACM

**HP Part Number 08563-60172
Controller (continued)**

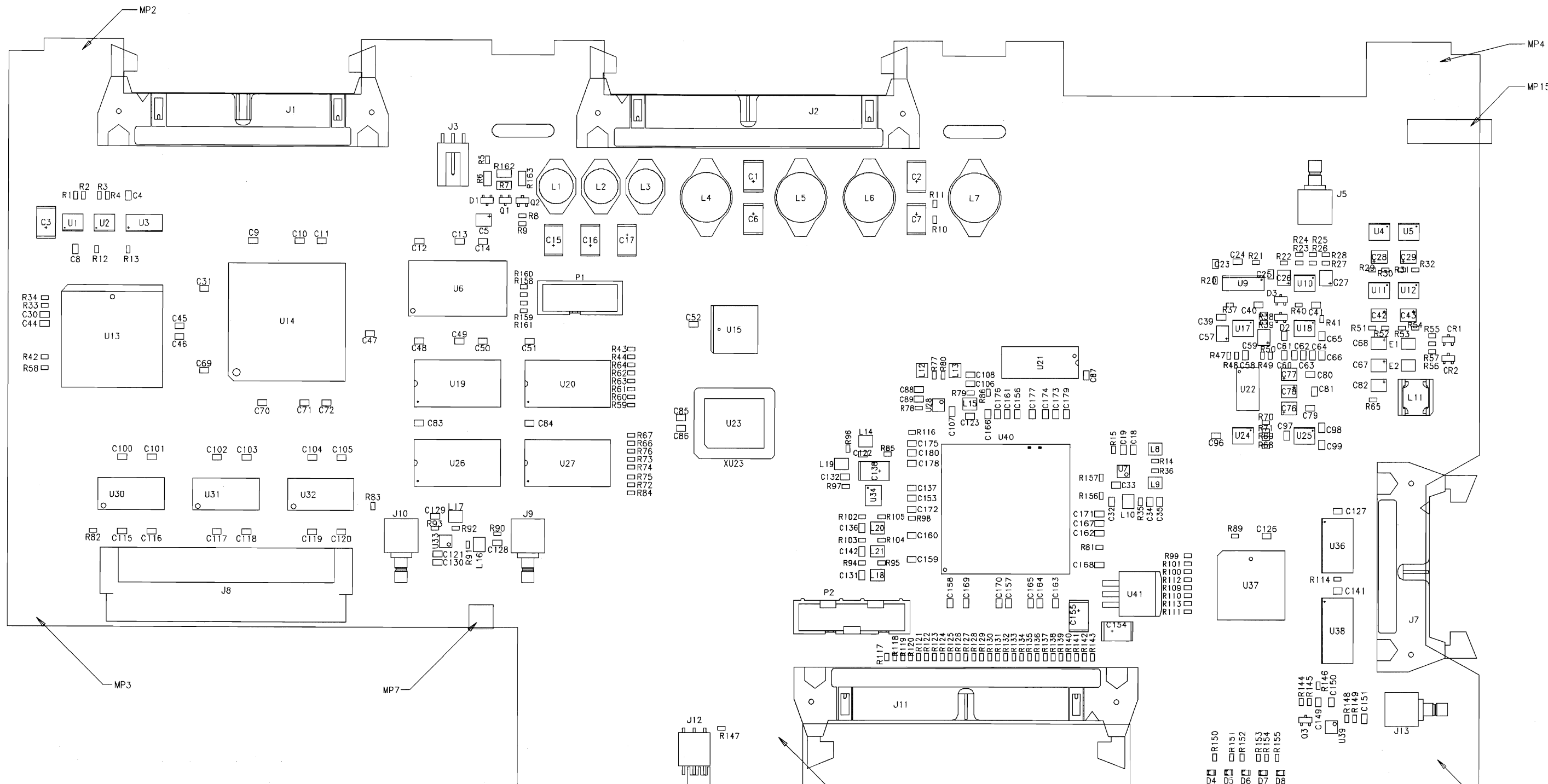
Reference Designator	HP Part Number	Qty	Description	Mfr Code	Mfr Part Number
U6	08563-80095	1		28480	08563-80095
U7	1826-4383	1	IC COMPARATOR DUAL 8-SOIC (uMAX)	11302	MAX962EUA
U9	1826-2145	1	ANALOG SWITCH 4 SPST 16 -P-SOIC	02883	DG413DY
U10	1826-2799	1	IC OP AMP WB SINGLE 8 PIN PLSTC-SOIC	03406	CLC409AJE-TR13
U11	1826-1402	1	IC PWR MGT-V-REG-FXD-POS 4.8/5.2V 8 PINS	03406	LM78L05ACM
U12	1826-1402	1	IC PWR MGT-V-REG-FXD-POS 4.8/5.2V 8 PINS	03406	LM78L05ACM
U13	1820-6245	1	IC-16-BIT MPU W/COUNTER, PLCC 16MHZ	02037	SC414320FN16R2
U14	1821-5302	1	IC-ASIC 11037-002 108-PIN CPGA	03677	11037-002
U15	1820-6154	1	IC-PROGRAMMABLE INTERVAL TIMER	03799	CS82C54-10
U17	1826-2799	1	IC OP AMP WB SINGLE 8 PIN PLSTC-SOIC	03406	CLC409AJE-TR13
U18	1826-2403	1	IC OP AMP LP DUAL 8 PIN PLSTC-SOIC	36633	MC33178DR2
U19	1818-5292	1	IC 1M-BIT SRAM 70-NS CMOS	00039	UPD431000AGW-70L
U20	1818-5292	1	IC 1M-BIT SRAM 70-NS CMOS	00039	UPD431000AGW-70L
U21	1818-4983	1	IC 256K-BIT SRAM 15-NS CMOS	10253	IDT71256SA15Y
U22	1826-4389	1	A/D 12-BIT 40 MSPS 9224 28-SSOP CMOS	03285	AD9224ARS
U23	08563-80092	1		28480	08563-80092
U24	1826-1838	1	IC PWR MGT-V-REF-FXD 4.95/5.05V 8 PINS	10858	LT1021DCS8-5
U25	1826-2403	1	IC OP AMP LP DUAL 8 PIN PLSTC-SOIC	36633	MC33178DR2
U26	1818-5292	1	IC 1M-BIT SRAM 70-NS CMOS	00039	UPD431000AGW-70L
U27	1818-5292	1	IC 1M-BIT SRAM 70-NS CMOS	00039	UPD431000AGW-70L
U28	1826-4383	1	IC COMPARATOR DUAL 8-SOIC (uMAX)	11302	MAX962EUA
U30	1820-8928	1	IC TRANSCEIVER BICMOS/ABT BUS DUAL 8-BIT	01698	SN74ABT16245ADL
U31	1820-8928	1	IC TRANSCEIVER BICMOS/ABT BUS DUAL 8-BIT	01698	SN74ABT16245ADL
U32	1820-8928	1	IC TRANSCEIVER BICMOS/ABT BUS DUAL 8-BIT	01698	SN74ABT16245ADL
U33	1826-4383	1	IC COMPARATOR DUAL 8-SOIC (uMAX)	11302	MAX962EUA
U34	1826-4141	1	IC COMPARATOR HS QUAD 16 PIN PLSTC-SSOP	11302	MAX964EEE
U36	1820-6176	1	IC-INTERFACE XCVR BIPOLAR BUS OCTL	01698	SN75ALS160DW
U37	1821-1721	1	IC-HPIB CONTROLLER	01698	MP9914FNL
U38	1820-6175	1	IC-INTERFACE XCVR BIPOLAR BUS OCTL	01698	SN75ALS162DW
U39	1826-4383	1	IC COMPARATOR DUAL 8-SOIC (uMAX)	11302	MAX962EUA
U40	08563-80101	1		28480	08563-80101
U41	1826-3282	1	IC PWR MGT-V-REG-L-DRPOUT 3.235/3.365V 3	10858	LT1587CM-3.3
XU23	1200-1593	1	SOCKET-IC-PLCC 32-CONT RECTGLR J-LEAD	13369	PLCC-32P-T-SMT-TR

**Indicates factory-selected value*

CLIP 08563-90234 11

Scans by ArtekMedia => 2009

5300		D-08563-60172-2	
SYM	REVISIONS	APPROVED	DATE
A	AS ISSUED ECO#53-145B1	IS	

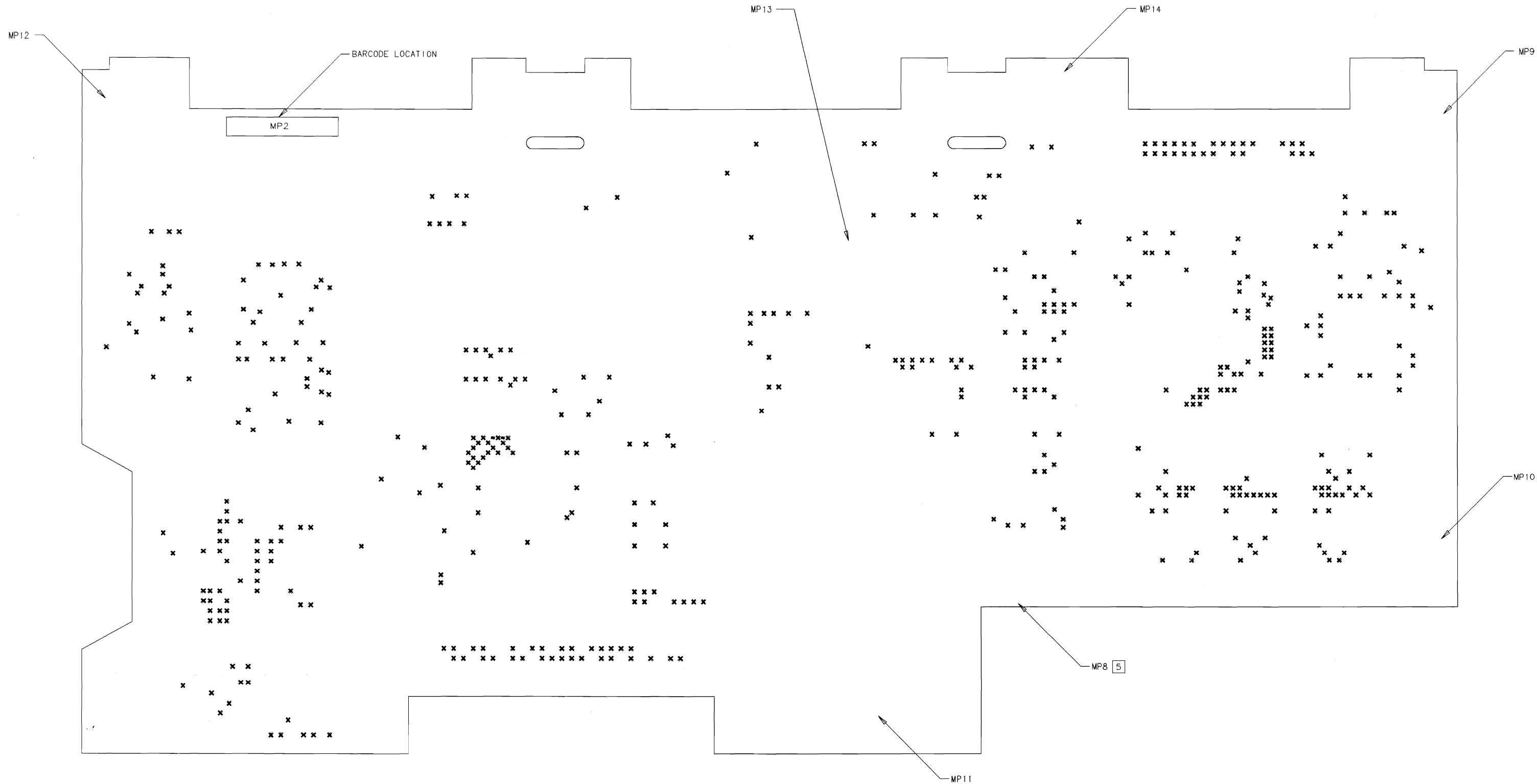


- NOTES: UNLESS OTHERWISE SPECIFIED
- INSPECT TO SPECIFICATION 930.610 ASSEMBLY ACCEPTABILITY
 - SEE MATERIAL LIST: 08563-60172
 - THIS ASSEMBLY USES RAW BOARD NUMBER: 08563-20172
 - THIS BOARD CONTAINS VIAS IN PADS: YES NO
 - DESIGN INTENT: TH SMT1 SMT2HS SMT6
 - TEST INTENT: TOP BOTTOM BOTH NONE
 - MP8 TORQUE SPEC 6.0 IN-LBS.

TOP SIDE

UNLESS OTHERWISE SPECIFIED, DIMENSIONS ARE IN INCHES. TOLERANCES: XX.XXX .010 XX.XX .02 THIRD ANGLE PROJECTION DO NOT SCALE THIS DRAWING	DRAWN BY	DATE	ASSEMBLY, PWB FIREFLY CONTROLLER BOARD TITLE	MENTOR FILENAME	
	ENGINEER/CHECKER	DATE		SCALE NONE	
	RELEASE TO PROD.	DATE		SHEET 1 OF 2	
	SUPERSEDES DWG.			PART NUMBER	
				08563-60172	
				D-08563-60172-2	

5300	D-08563-60172-2
SYM	REVISIONS
	SEE SHEET 1
	APPROVED
	DATE



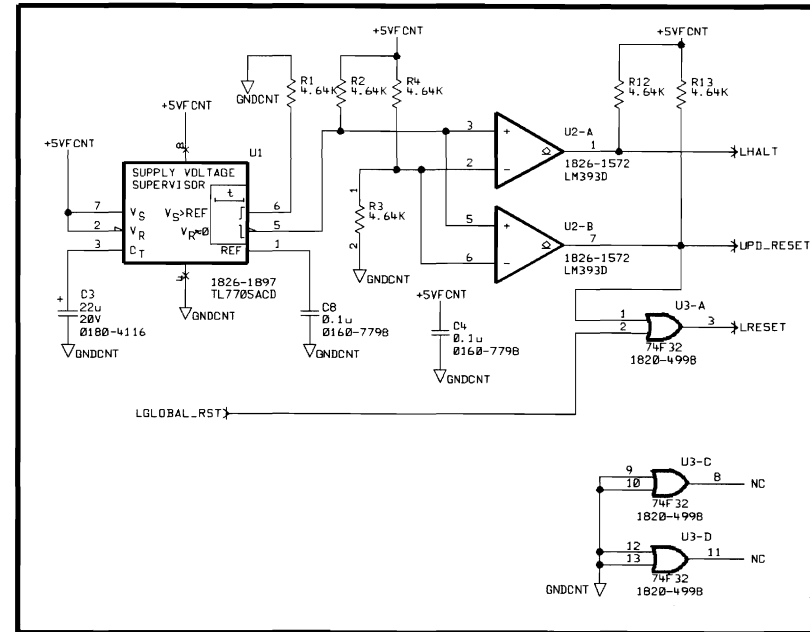
BOTTOM SIDE

Scans by ArtekMedia => 2009

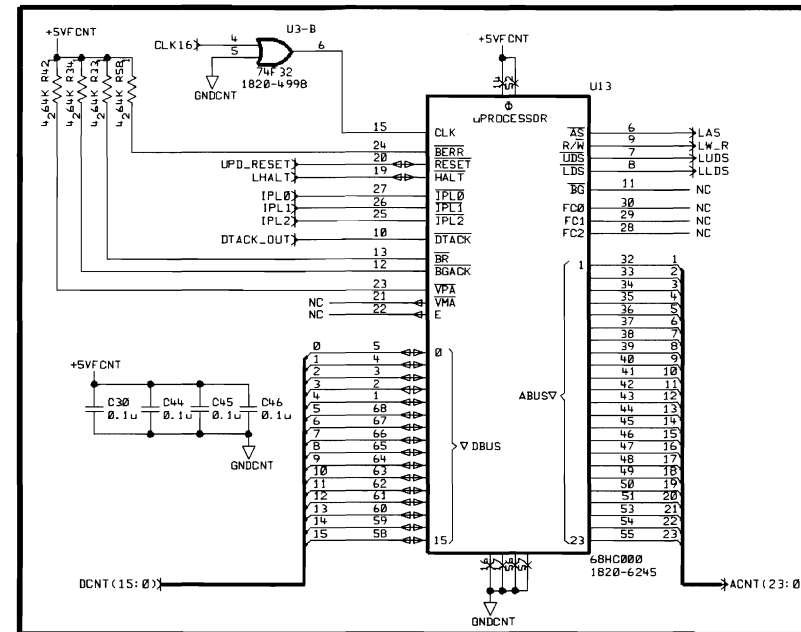
UNLESS OTHERWISE SPECIFIED, DIMENSIONS ARE IN INCHES. TOLERANCES: XX.XXX .010 XX.XX .02 THIRD ANGLE PROJECTION DO NOT SCALE THIS DRAWING	DRAWN BY	DATE	ASSEMBLY, PWB FIREFLY CONTROLLER BOARD TITLE	MENTOR FILENAME	
	ENGINEER/CHECKER	DATE		SCALE NONE	
	RELEASE TO PROD.	DATE		SHEET 2 OF 2	
	SUPERSEDES DWG.			PART NUMBER	
					08563-60172
					D-08563-60172-2

REV	INFORMATION	APPROVED	DATE
A	PER ECO 53-14581 IS		

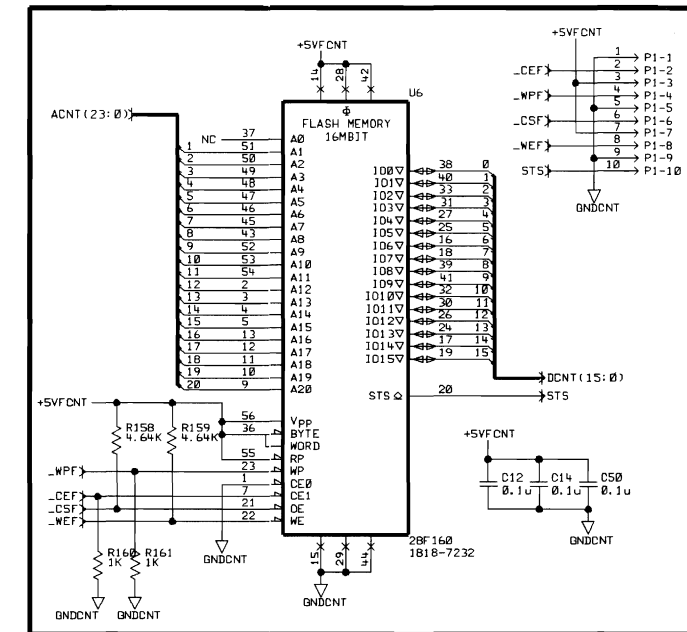
RESET CIRCUITRY



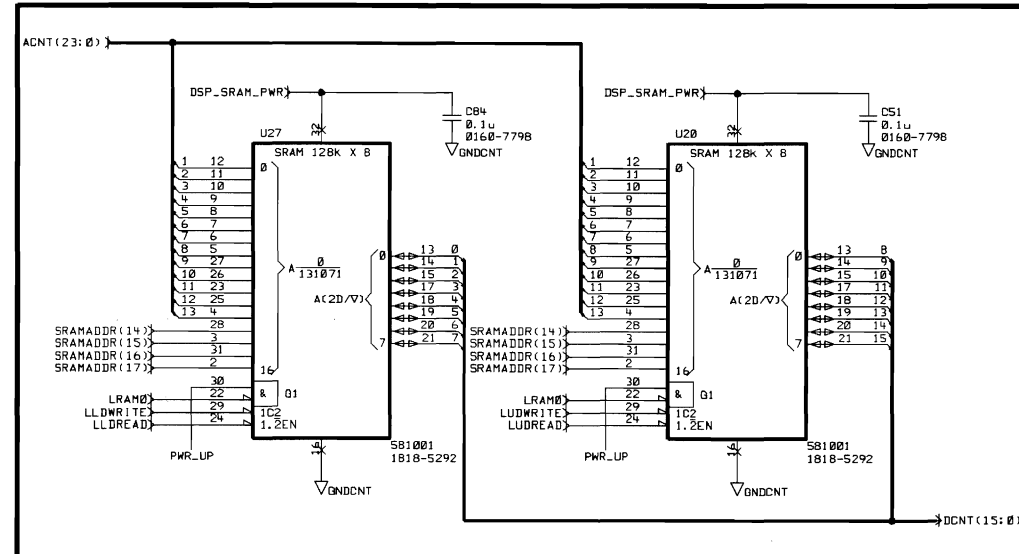
CPU



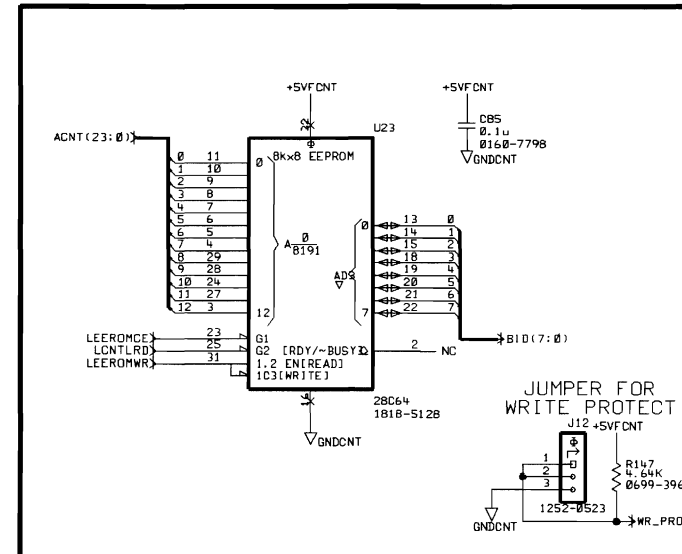
FLASH



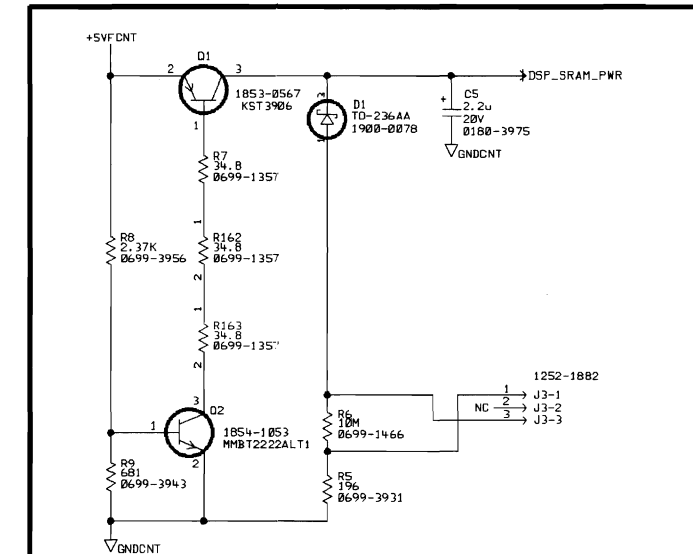
RAM



EEPROM



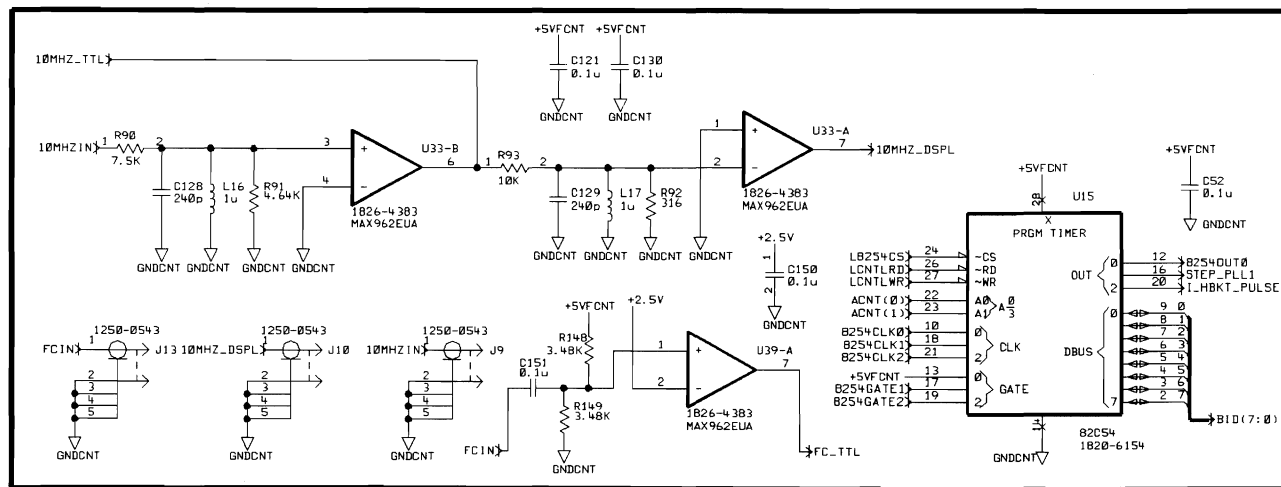
BATTERY



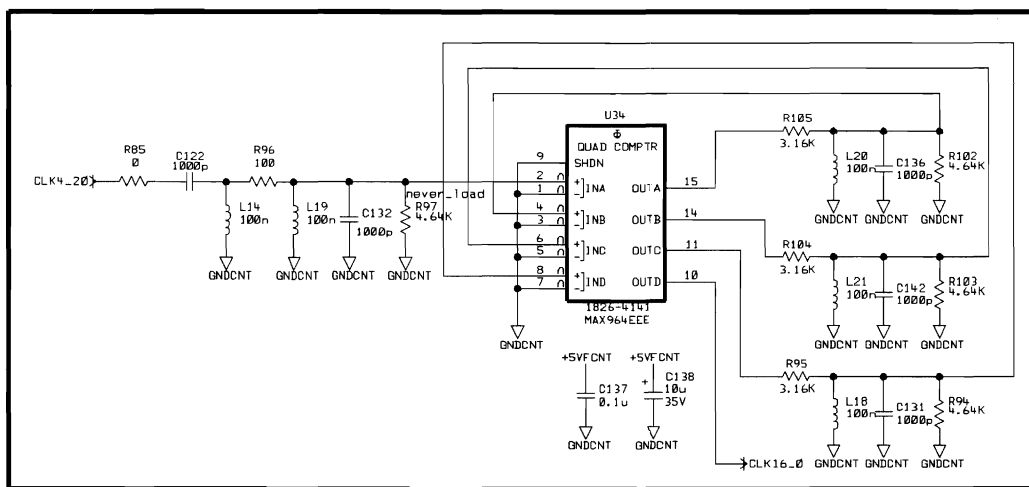
AGILENT TECHNOLOGIES
RESTRICTED
THIS DOCUMENT CONTAINS CONFIDENTIAL,
PROPRIETARY INFORMATION THAT IS
AGILENT TECHNOLOGIES PROPERTY. DO NOT
DISCLOSE TO OR DUPLICATE FOR OTHERS EXCEPT
AS AUTHORIZED BY AGILENT TECHNOLOGIES.

LAST CHECKED	DATE	SCHEMATIC, PWA FIREFLY CONTROLLER BOARD		
ENGINEER	SHEET 1 OF 6	TITLE		
DRAWN BY	SIZE C	PATHNAME		08563-60172
ASSY. REV	A4001	PAGE 1 OF 6		C-08563-60172-1
		DWG. NO.		

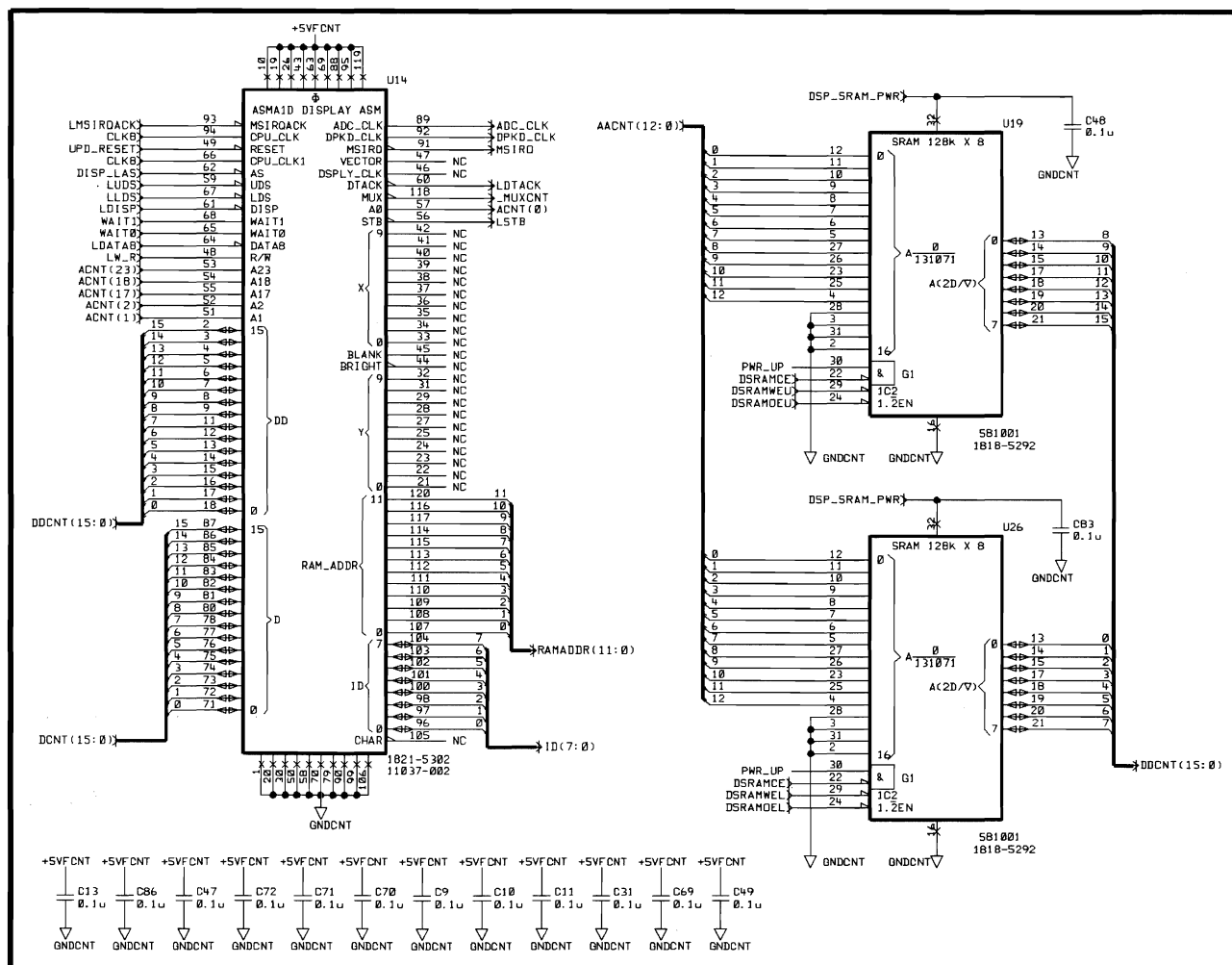
FREQUENCY COUNTER



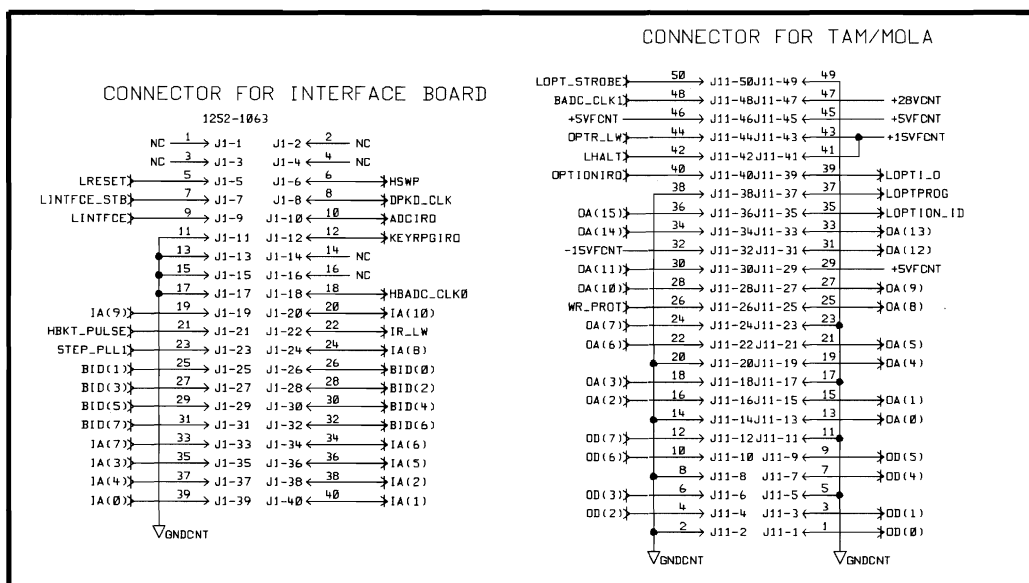
16MHZ HARMONIC FILTER



DISPLAY CONTROL



OFFBOARD CONNECTORS

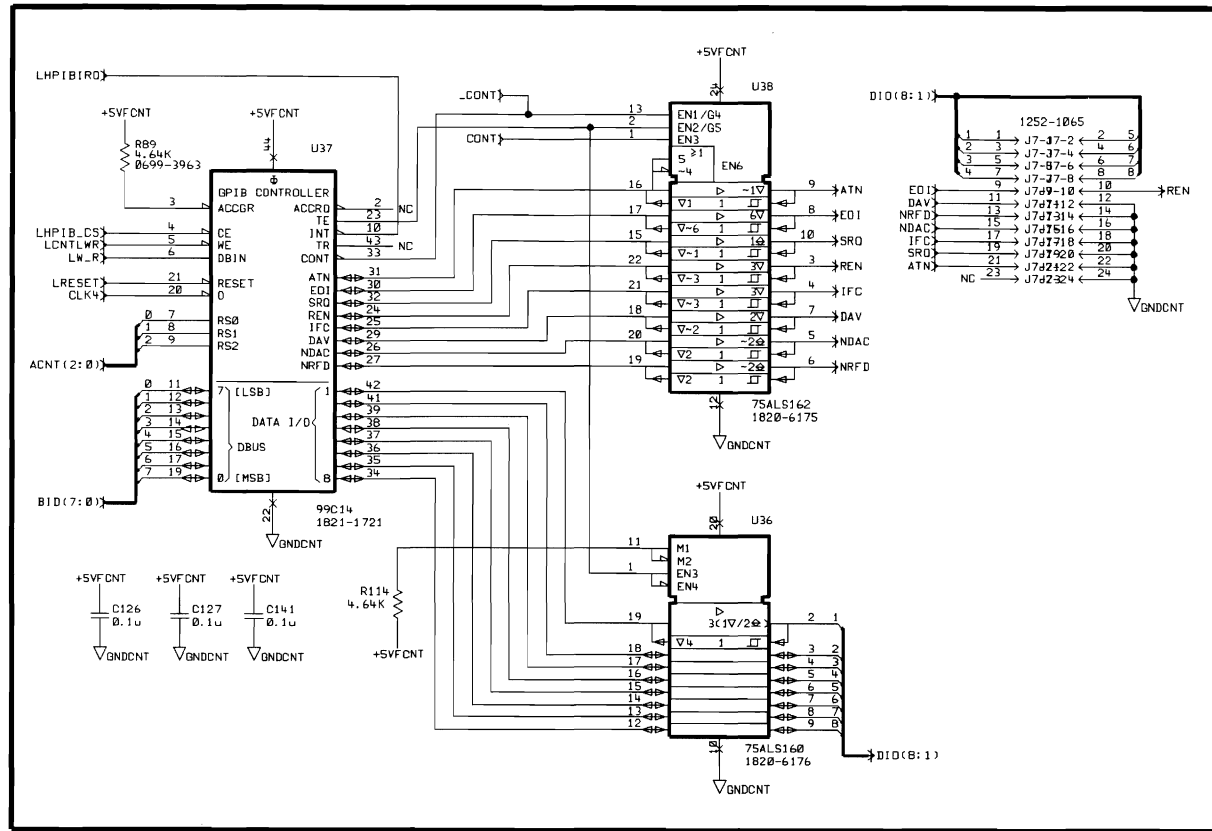


AGILENT TECHNOLOGIES RESTRICTED
THIS DOCUMENT CONTAINS CONFIDENTIAL, PROPRIETARY INFORMATION THAT IS AGILENT TECHNOLOGIES PROPERTY. DO NOT DISCLOSE TO OR DUPLICATE FOR OTHERS EXCEPT AS AUTHORIZED BY AGILENT TECHNOLOGIES.

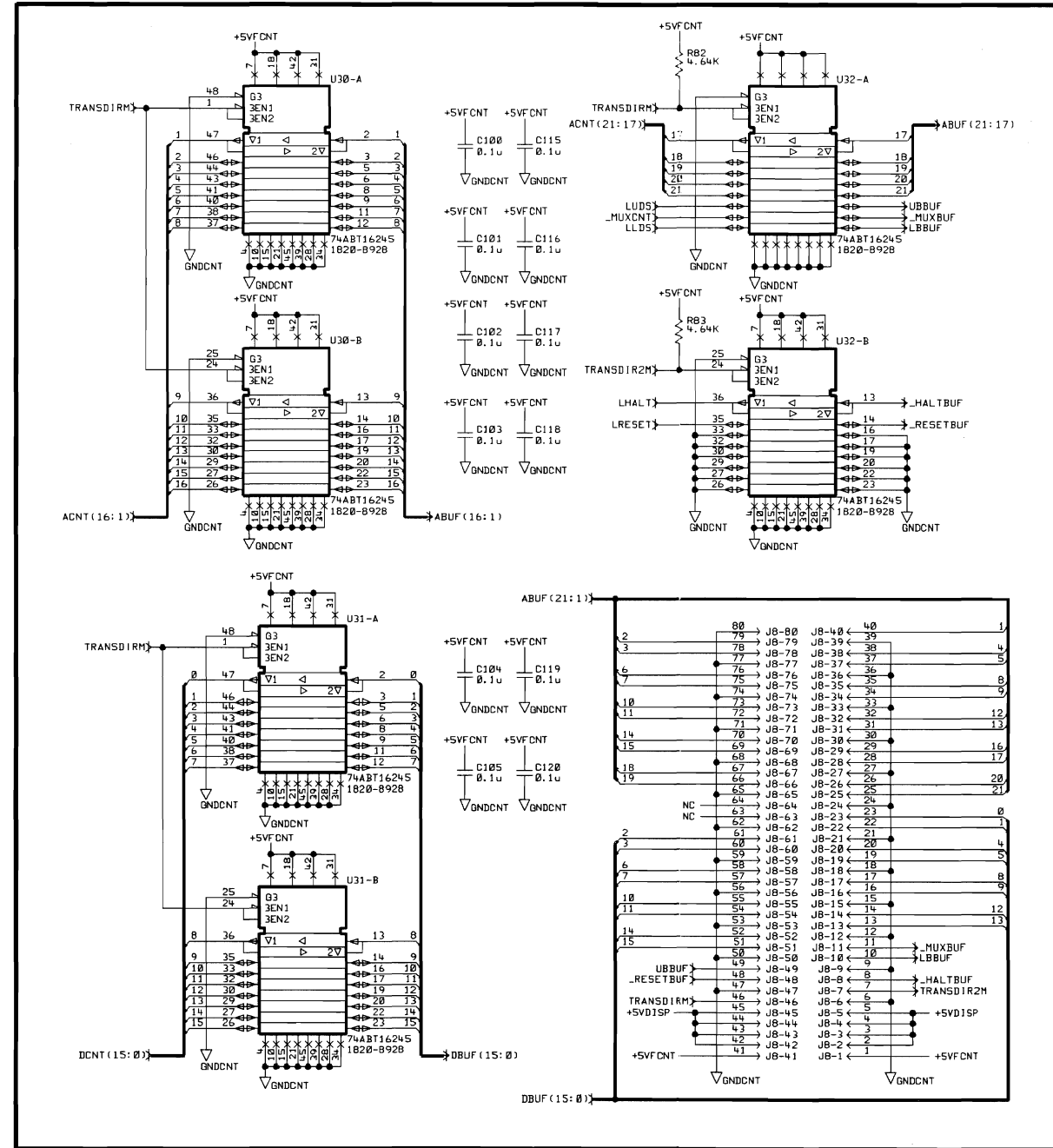
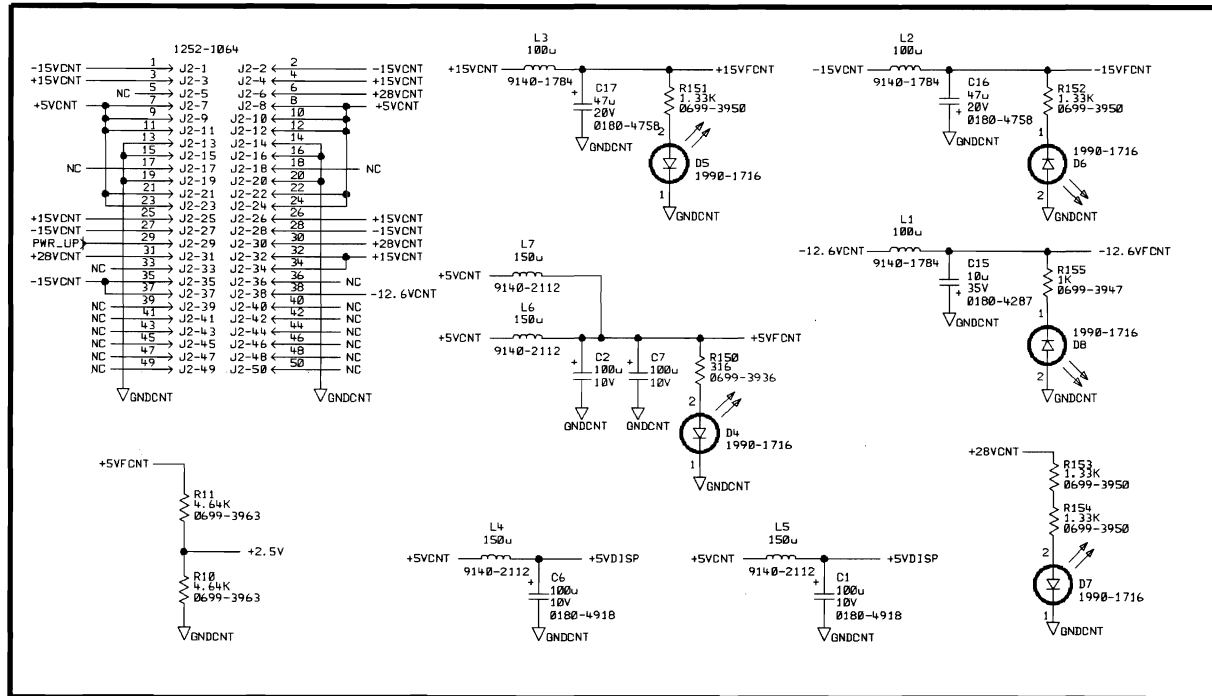
LAST CHECKED	DATE	SCHEMATIC, PWA FIREFLY CONTROLLER BOARD		
ENGINEER	SHEET 2 OF 6			
DRAWN BY	SIZE C	TITLE	08563-60172	PART NUMBER
ASSY. REV	A4001	PATHNAME		
	REV	PAGE	2 OF 6	DWG. NO. C-08563-60172-1

FLAT PANEL DISPLAY CONNECTION

HP-IB

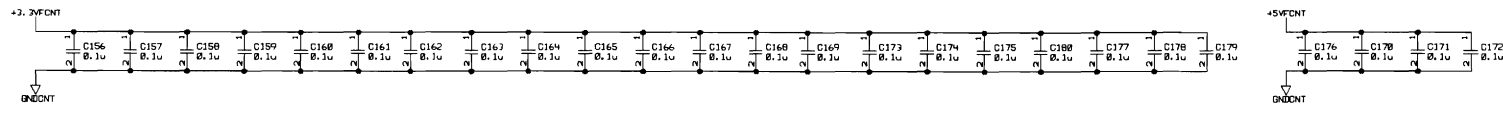


POWER SUPPLIES

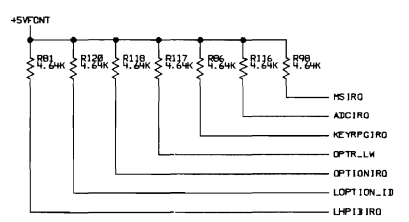
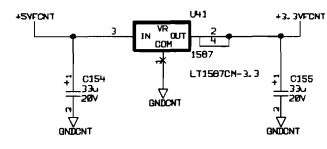
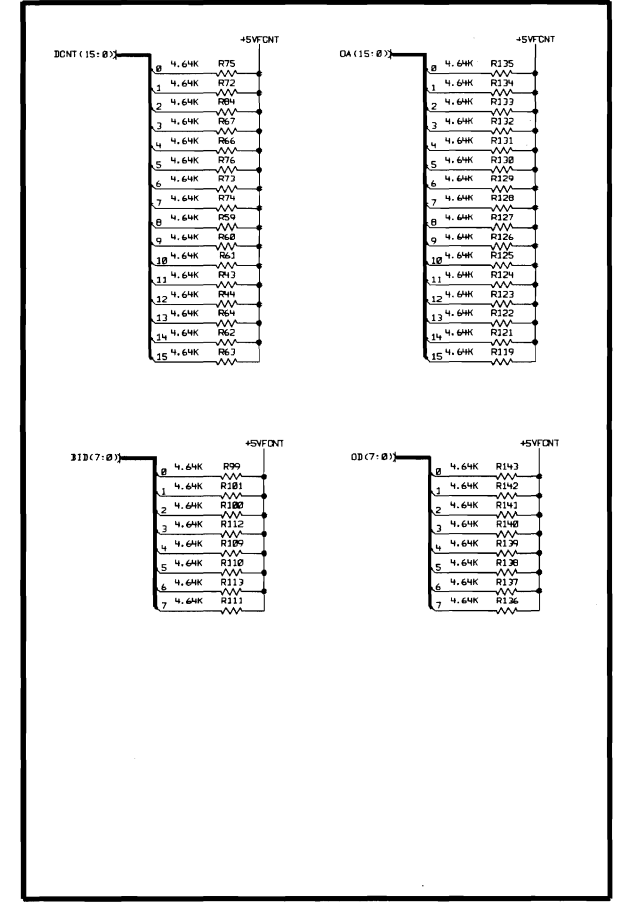


AGILENT TECHNOLOGIES
RESTRICTED
THIS DOCUMENT CONTAINS CONFIDENTIAL,
PROPRIETARY INFORMATION THAT IS
AGILENT TECHNOLOGIES PROPERTY. DO NOT
DISCLOSE TO OR DUPLICATE FOR OTHERS EXCEPT
AS AUTHORIZED BY AGILENT TECHNOLOGIES.

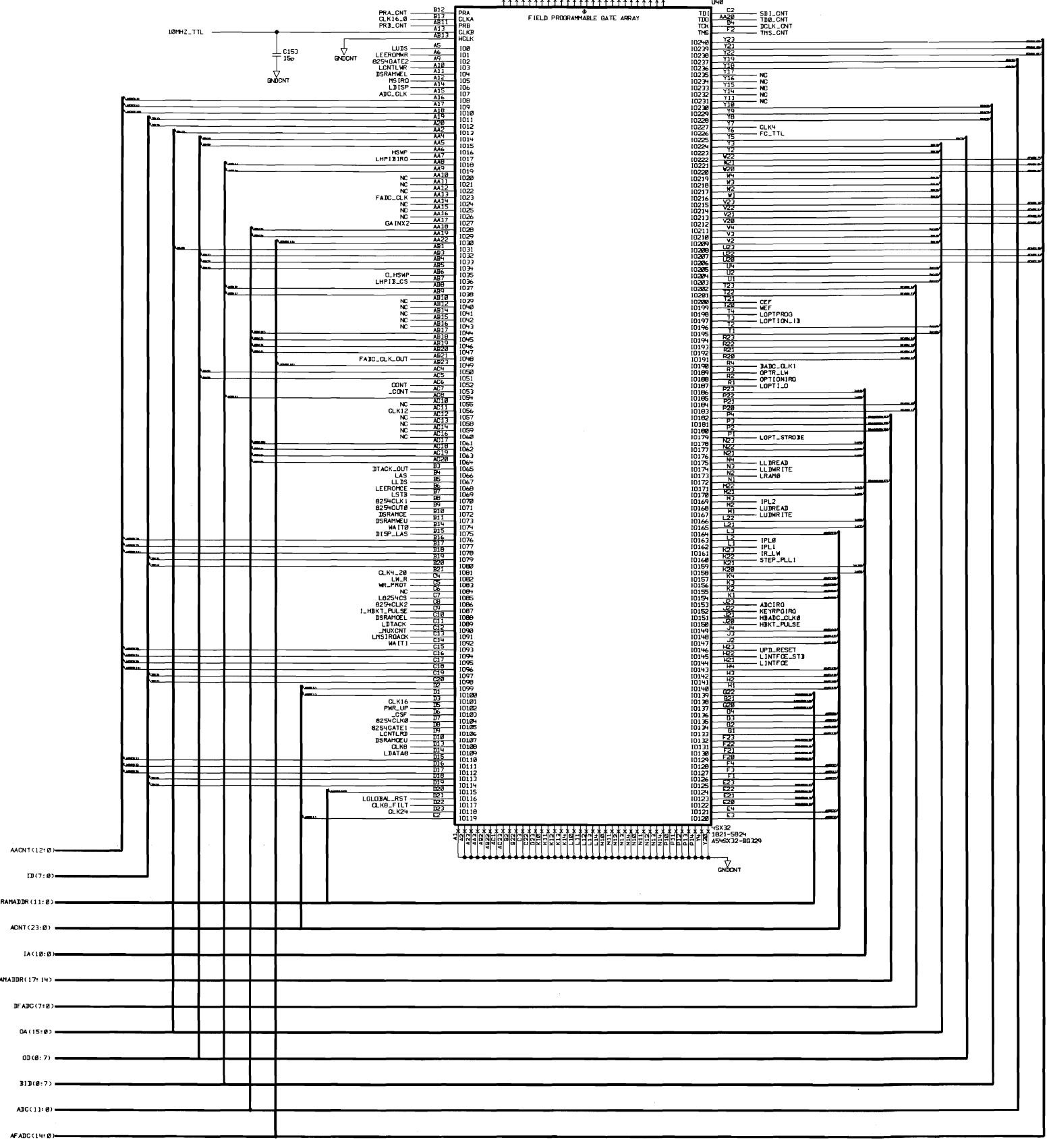
LAST CHECKED		DATE		SCHEMATIC, PWA		FIREFLY
ENGINEER	DATE	SHEET	OF	TITLE	08563-60172	
DRAWN BY	SIZE	ASSY. REV.	BRD. REV.	PAGE	OF	DWG. NO.
AA4001	A4001			3	6	C-08563-60172-1



BUS PULL-UPS



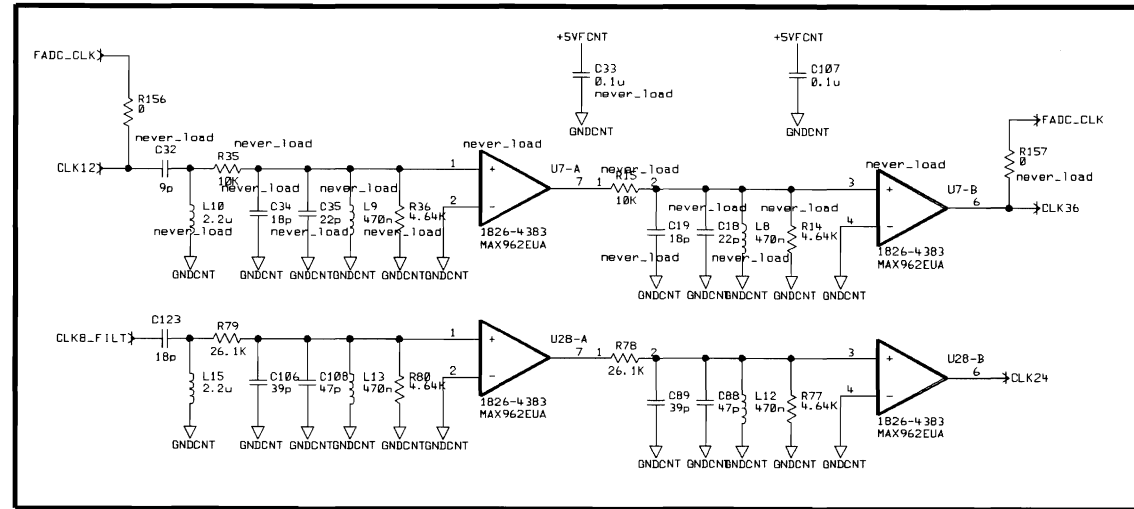
- SB1_CNT 1 P2-1
- CLK_CNT 2 P2-2
- TB1_CNT 3 P2-3
- TB2_CNT 4 P2-4
- TB3_CNT 5 P2-5
- TB4_CNT 6 P2-6
- TB5_CNT 7 P2-7
- NC 8 P2-8
- NC 9 P2-9
- NC 10 P2-10
- NC 11 P2-11
- NC 12 P2-12
- NC 13 P2-13
- NC 14 P2-14
- NC 15 P2-15
- NC 16 P2-16



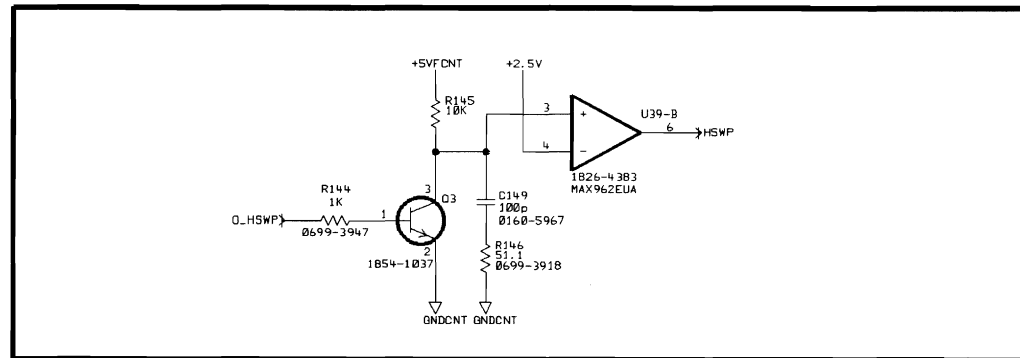
Scans by ArtekMedia => 2009

AGILENT TECHNOLOGIES RESTRICTED		SCHEMATIC: PMA FIREFLY		
THIS DOCUMENT CONTAINS CONFIDENTIAL, PROPRIETARY INFORMATION THAT IS AGILENT TECHNOLOGIES PROPERTY. DO NOT DISCLOSE TO OR DUPLICATE FOR OTHERS EXCEPT AS AUTHORIZED BY AGILENT TECHNOLOGIES.				
LAST CHECKED	DATE	SHEET 4 OF 6		TITLE
ENGINEER	DATE	SIZE C		HP:08563/20172/4001/controller sheet
DRAWN BY	DATE	AA4001	A4001	08563-60172
ASSY. REV	DATE	4	6	C-08563-60172-1
REV. NO.	DATE	PAGE 4 OF 6		PART NUMBER

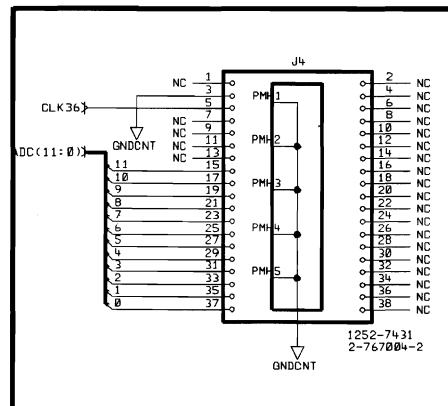
REF CLOCK



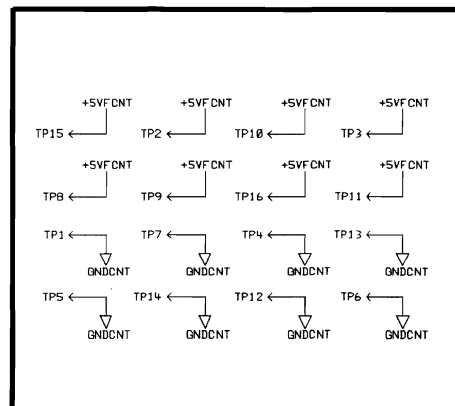
TRIGGER



CONNECTORS



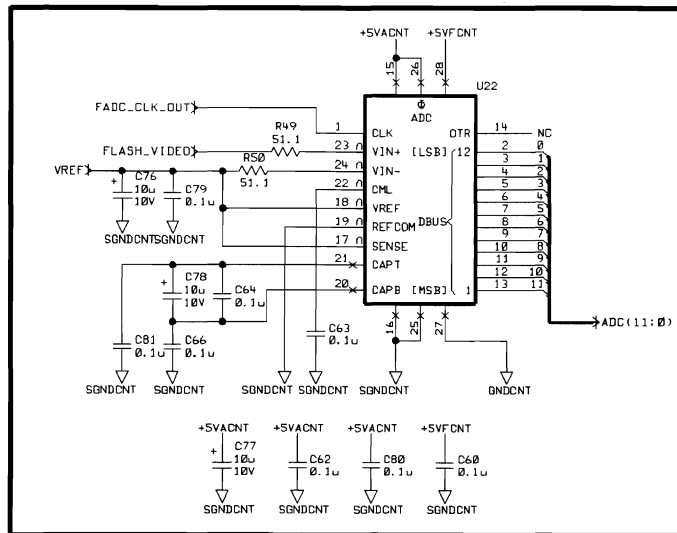
TESTPOINTS



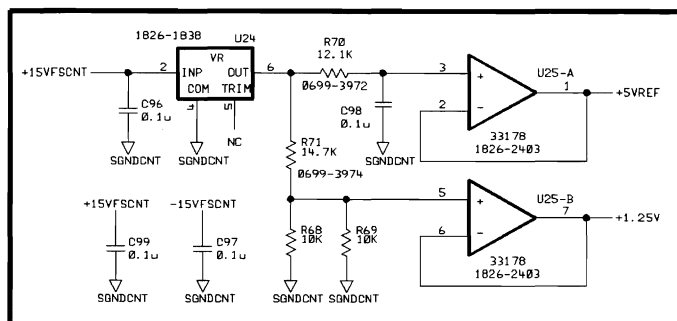
AGILENT TECHNOLOGIES
RESTRICTED
THIS DOCUMENT CONTAINS CONFIDENTIAL,
PROPRIETARY INFORMATION THAT IS
AGILENT TECHNOLOGIES PROPERTY. DO NOT
DISCLOSE TO OR DUPLICATE FOR OTHERS EXCEPT
AS AUTHORIZED BY AGILENT TECHNOLOGIES.

LAST CHECKED	DATE	SCHEMATIC, PWA FIREFLY		
ENGINEER	SHEET 5 OF 6			
DRAWN BY	SIZE C	TITLE	08563-60172	
ASSY. REV	AA4001	PATHNAME	PART NUMBER	
BDD. REV	A4001	PAGE	5 OF 6	C-08563-60172-1
				DWG. NO.

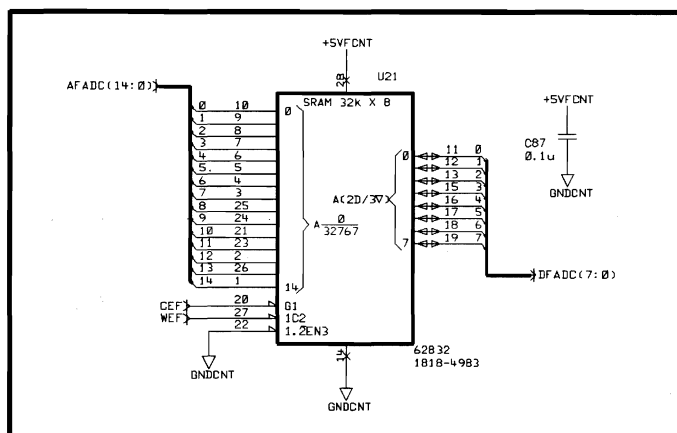
12-BIT ADC (FADC)



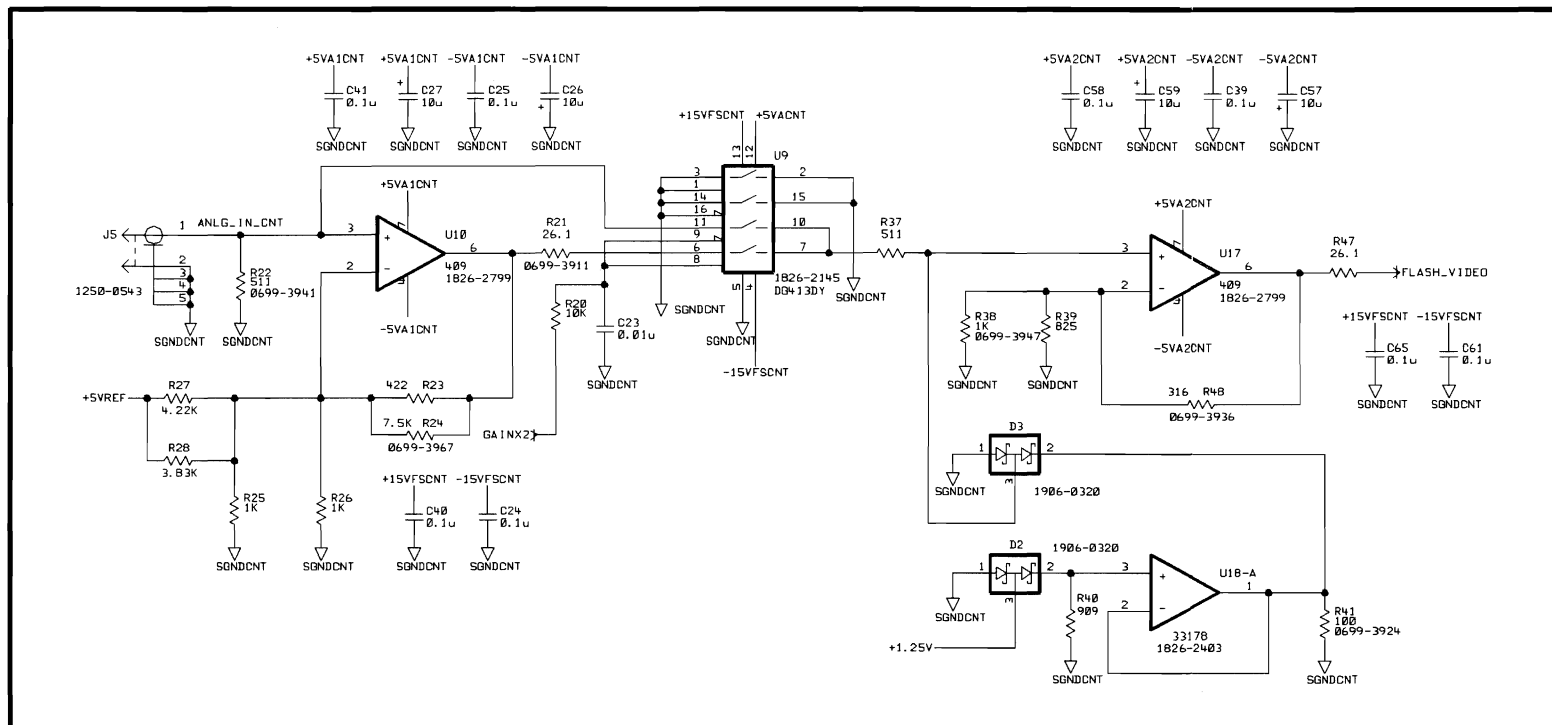
+5V REFERENCE VOLTAGE



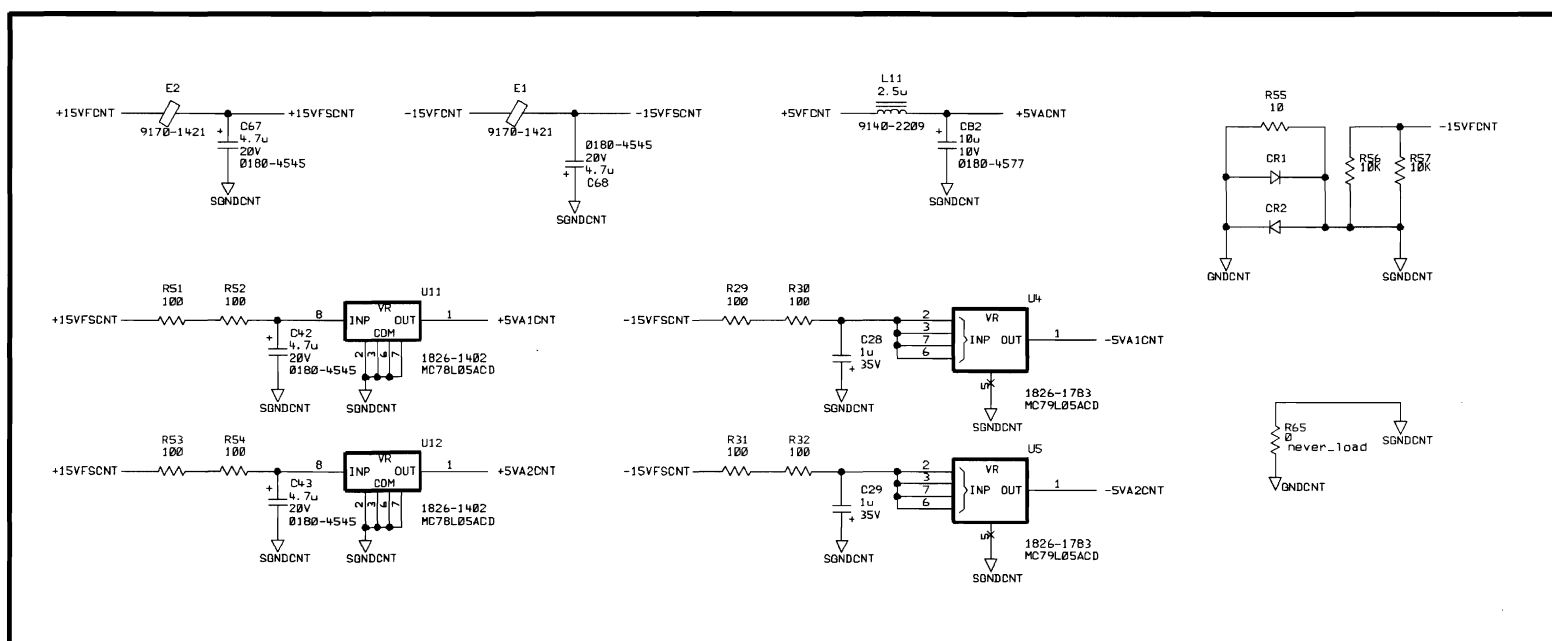
32k RAM (32 KSAMPLES MAX)



VIDEO INPUT SCALING AMPLIFIERS AND LIMITER



POWER SUPPLIES



AGILENT TECHNOLOGIES
RESTRICTED
THIS DOCUMENT CONTAINS CONFIDENTIAL,
PROPRIETARY INFORMATION THAT IS
AGILENT TECHNOLOGIES PROPERTY. DO NOT
DISCLOSE TO OR DUPLICATE FOR OTHERS EXCEPT
AS AUTHORIZED BY AGILENT TECHNOLOGIES.

LAST CHECKED	DATE	SCHEMATIC, PWA FIREFLY	
ENGINEER	SHEET 6 OF 6	TITLE	08563-60172
DRAWN BY	SIZE C	PATHNAME	PART NUMBER
AA4001	A4001	HP_08563/20172/A4001/controller sheet	08563-60172
ASSY. REV	PAGE 6 OF 6	DWG. NO.	C-08563-60172-1

Component-Level Information Packet for 08564-60025

Controller



**HP Part No. 08564-90028
Printed in USA May 2000**

Notice. The information contained in this document is subject to change without notice.

Hewlett-Packard makes no warranty of any kind with regard to this material, including, but not limited to, the implied warranties of merchantability and fitness for a particular purpose. Hewlett-Packard shall not be liable for errors contained herein or for incidental or consequential damages in connection with the furnishing, performance, or use of this material.

©Copyright Hewlett-Packard Company 1990, 1991, 1992, 1993, 1994, 1995, 1996
All Rights Reserved. Reproduction, adaptation, or translation without prior written permission is prohibited, except as allowed under the copyright laws.

**HP Part Number 08564-60025
Controller**

Reference Designator	HP Part Number	Qty	Description	Mfr Code	Mfr Part Number
C1	0180-4136	1	CAP-FXD 10uF +-10% 20 V TA	02010	TAR2106K020
C2	0180-4132	1	CAP-FXD 6.8uF +-10% 35 V TA	12340	T322D685K035AS
C3	0160-4832	1	CAP-FXD 0.01uF +-10% 100 V CER X7R	02010	SA101C103KAAH
C4	0180-4132	1	CAP-FXD 6.8uF +-10% 35 V TA	12340	T322D685K035AS
C5	0160-4832	1	CAP-FXD 0.01uF +-10% 100 V CER X7R	02010	SA101C103KAAH
C6	0180-4135	1	CAP-FXD 33uF +-10% 10 V TA	02010	TARW336K010
C7	0160-4832	1	CAP-FXD 0.01uF +-10% 100 V CER X7R	02010	SA101C103KAAH
C8	0160-4832	1	CAP-FXD 0.01uF +-10% 100 V CER X7R	02010	SA101C103KAAH
C9	0160-4832	1	CAP-FXD 0.01uF +-10% 100 V CER X7R	02010	SA101C103KAAH
C10	0160-4832	1	CAP-FXD 0.01uF +-10% 100 V CER X7R	02010	SA101C103KAAH
C11	0160-4832	1	CAP-FXD 0.01uF +-10% 100 V CER X7R	02010	SA101C103KAAH
C12	0160-4832	1	CAP-FXD 0.01uF +-10% 100 V CER X7R	02010	SA101C103KAAH
C13	0160-4835	1	CAP-FXD 0.1uF +-10% 50 V CER X7R	02010	SA105C104KAAH
C101	0160-4832	1	CAP-FXD 0.01uF +-10% 100 V CER X7R	02010	SA101C103KAAH
C102	0160-4832	1	CAP-FXD 0.01uF +-10% 100 V CER X7R	02010	SA101C103KAAH
C103	0160-4832	1	CAP-FXD 0.01uF +-10% 100 V CER X7R	02010	SA101C103KAAH
C150	0160-4805	1	CAP-FXD 47pF +-5% 100 V CER C0G	02010	SA102A470JAAH
C151	0180-3771	1	CAP-FXD 1uF +-10% 35 V TA	12340	T398A105K035AS
C152	0160-4835	1	CAP-FXD 0.1uF +-10% 50 V CER X7R	02010	SA105C104KAAH
C153	0160-4800	1	CAP-FXD 120pF +-5% 100 V CER C0G	02010	SA101A121JAA
C154	0160-4835	1	CAP-FXD 0.1uF +-10% 50 V CER X7R	02010	SA105C104KAAH
C155	0160-4835	1	CAP-FXD 0.1uF +-10% 50 V CER X7R	02010	SA105C104KAAH
C156	0160-4835	1	CAP-FXD 0.1uF +-10% 50 V CER X7R	02010	SA105C104KAAH
C201	0160-4835	1	CAP-FXD 0.1uF +-10% 50 V CER X7R	02010	SA105C104KAAH
C202	0160-4832	1	CAP-FXD 0.01uF +-10% 100 V CER X7R	02010	SA101C103KAAH
C203	0160-4832	1	CAP-FXD 0.01uF +-10% 100 V CER X7R	02010	SA101C103KAAH
C204	0160-4832	1	CAP-FXD 0.01uF +-10% 100 V CER X7R	02010	SA101C103KAAH
C205	0160-4791	1	CAP-FXD 10pF +-5% 100 V CER C0G	02010	SA101A100JAA
C206	0160-4832	1	CAP-FXD 0.01uF +-10% 100 V CER X7R	02010	SA101C103KAAH
C207	0160-4791	1	CAP-FXD 10pF +-5% 100 V CER C0G	02010	SA101A100JAA
C208	0160-4832	1	CAP-FXD 0.01uF +-10% 100 V CER X7R	02010	SA101C103KAAH
C209	0160-4832	1	CAP-FXD 0.01uF +-10% 100 V CER X7R	02010	SA101C103KAAH
C210	0160-4832	1	CAP-FXD 0.01uF +-10% 100 V CER X7R	02010	SA101C103KAAH
C211	0160-6523	1	CAP-FXD 1pF +-25% 200 V CER C0G	02010	SR152A1R0CAAH
C212	0160-4832	1	CAP-FXD 0.01uF +-10% 100 V CER X7R	02010	SA101C103KAAH

*Indicates factory-selected value

CLIP 08564-90028 1

**HP Part Number 08564-60025
Controller (continued)**

Reference Designator	HP Part Number	Qty	Description	Mfr Code	Mfr Part Number
C213	0160-4832	1	CAP-FXD 0.01uF +-10% 100 V CER X7R	02010	SA101C103KAAH
C214	0160-4832	1	CAP-FXD 0.01uF +-10% 100 V CER X7R	02010	SA101C103KAAH
C215	0160-4832	1	CAP-FXD 0.01uF +-10% 100 V CER X7R	02010	SA101C103KAAH
C216	0160-4832	1	CAP-FXD 0.01uF +-10% 100 V CER X7R	02010	SA101C103KAAH
C217	0160-4832	1	CAP-FXD 0.01uF +-10% 100 V CER X7R	02010	SA101C103KAAH
C218	0160-4835	1	CAP-FXD 0.1uF +-10% 50 V CER X7R	02010	SA105C104KAAH
C219	0160-4832	1	CAP-FXD 0.01uF +-10% 100 V CER X7R	02010	SA101C103KAAH
C220	0160-4832	1	CAP-FXD 0.01uF +-10% 100 V CER X7R	02010	SA101C103KAAH
C221	0160-4832	1	CAP-FXD 0.01uF +-10% 100 V CER X7R	02010	SA101C103KAAH
C222	0160-5422	1	CAP-FXD 0.047uF +-20% 50 V CER X7R	02010	SA205C473MAAH
C223	0160-4808	1	CAP-FXD 470pF +-5% 100 V CER C0G	02010	SA101A471JAAH
C224	0160-4808	1	CAP-FXD 470pF +-5% 100 V CER C0G	02010	SA101A471JAAH
C225	0160-4808	1	CAP-FXD 470pF +-5% 100 V CER C0G	02010	SA101A471JAAH
C226	0160-4623	1	CAP-FXD 3900pF +-5% 100 V CER C0G	02010	SA301A392JAAH
C227	0160-4623	1	CAP-FXD 3900pF +-5% 100 V CER C0G	02010	SA301A392JAAH
C228	0160-4804	1	CAP-FXD 56pF +-5% 100 V CER C0G	02010	SA102A560JAAH
C229	0160-4812	1	CAP-FXD 220pF +-5% 100 V CER C0G	02010	SA101A221JAAH
C230	0160-4824	1	CAP-FXD 680pF +-5% 100 V CER C0G	02010	SA101A681JAAH
C231	0160-4804	1	CAP-FXD 56pF +-5% 100 V CER C0G	02010	SA102A560JAAH
C232	0160-4812	1	CAP-FXD 220pF +-5% 100 V CER C0G	02010	SA101A221JAAH
C233	0160-4824	1	CAP-FXD 680pF +-5% 100 V CER C0G	02010	SA101A681JAAH
C234	0160-4791	1	CAP-FXD 10pF +-5% 100 V CER C0G	02010	SA101A100JAA
C235	0160-4791	1	CAP-FXD 10pF +-5% 100 V CER C0G	02010	SA101A100JAA
C236	0160-6523	1	CAP-FXD 1pF +-25% 200 V CER C0G	02010	SR152A1R0CAAH
C237	0160-4791	1	CAP-FXD 10pF +-5% 100 V CER C0G	02010	SA101A100JAA
C238	0160-4791	1	CAP-FXD 10pF +-5% 100 V CER C0G	02010	SA101A100JAA
C239	0160-4832	1	CAP-FXD 0.01uF +-10% 100 V CER X7R	02010	SA101C103KAAH
C240	0160-4832	1	CAP-FXD 0.01uF +-10% 100 V CER X7R	02010	SA101C103KAAH
C241	0160-4835	1	CAP-FXD 0.1uF +-10% 50 V CER X7R	02010	SA105C104KAAH
C242	0160-4832	1	CAP-FXD 0.01uF +-10% 100 V CER X7R	02010	SA101C103KAAH
C243	0160-4811	1	CAP-FXD 270pF +-5% 100 V CER C0G	02010	SA101A271JAAH
C244	0160-5098	1	CAP-FXD 0.22uF +-10% 50 V CER X7R	02010	SA405C224KAAH
C246	0160-4521	1	CAP-FXD 12pF +-5% 200 V CER C0G	06352	FD12C0G2D120J
C247	0160-4812	1	CAP-FXD 220pF +-5% 100 V CER C0G	02010	SA101A221JAAH
C248	0160-4812	1	CAP-FXD 220pF +-5% 100 V CER C0G	02010	SA101A221JAAH

**HP Part Number 08564-60025
Controller (continued)**

Reference Designator	HP Part Number	Qty	Description	Mfr Code	Mfr Part Number
C301	0180-4130	1	CAP-FXD 2.2uF +-10% 20 V TA	02010	TARR225K020
C303	0160-4832	1	CAP-FXD 0.01uF +-10% 100 V CER X7R	02010	SA101C103KAAH
C304	0160-4832	1	CAP-FXD 0.01uF +-10% 100 V CER X7R	02010	SA101C103KAAH
C305	0160-4832	1	CAP-FXD 0.01uF +-10% 100 V CER X7R	02010	SA101C103KAAH
C306	0160-4832	1	CAP-FXD 0.01uF +-10% 100 V CER X7R	02010	SA101C103KAAH
C307	0160-4832	1	CAP-FXD 0.01uF +-10% 100 V CER X7R	02010	SA101C103KAAH
C308	0160-4832	1	CAP-FXD 0.01uF +-10% 100 V CER X7R	02010	SA101C103KAAH
C309	0160-4832	1	CAP-FXD 0.01uF +-10% 100 V CER X7R	02010	SA101C103KAAH
C401	0160-4835	1	CAP-FXD 0.1uF +-10% 50 V CER X7R	02010	SA105C104KAAH
C403	0160-4832	1	CAP-FXD 0.01uF +-10% 100 V CER X7R	02010	SA101C103KAAH
C404	0160-4832	1	CAP-FXD 0.01uF +-10% 100 V CER X7R	02010	SA101C103KAAH
C405	0160-4832	1	CAP-FXD 0.01uF +-10% 100 V CER X7R	02010	SA101C103KAAH
C501	0160-4832	1	CAP-FXD 0.01uF +-10% 100 V CER X7R	02010	SA101C103KAAH
C502	0160-4832	1	CAP-FXD 0.01uF +-10% 100 V CER X7R	02010	SA101C103KAAH
C503	0160-4832	1	CAP-FXD 0.01uF +-10% 100 V CER X7R	02010	SA101C103KAAH
C504	0160-4832	1	CAP-FXD 0.01uF +-10% 100 V CER X7R	02010	SA101C103KAAH
C505	0160-4835	1	CAP-FXD 0.1uF +-10% 50 V CER X7R	02010	SA105C104KAAH
C506	0160-4835	1	CAP-FXD 0.1uF +-10% 50 V CER X7R	02010	SA105C104KAAH
C701	0160-4832	1	CAP-FXD 0.01uF +-10% 100 V CER X7R	02010	SA101C103KAAH
C702	0160-4832	1	CAP-FXD 0.01uF +-10% 100 V CER X7R	02010	SA101C103KAAH
C703	0160-4832	1	CAP-FXD 0.01uF +-10% 100 V CER X7R	02010	SA101C103KAAH
C704	0160-4832	1	CAP-FXD 0.01uF +-10% 100 V CER X7R	02010	SA101C103KAAH
C705	0160-4832	1	CAP-FXD 0.01uF +-10% 100 V CER X7R	02010	SA101C103KAAH
C801	0180-4131	1	CAP-FXD 4.7uF +-10% 35 V TA	12340	T322C475K035AS
C802	0160-4557	1	CAP-FXD 0.1uF +-20% 50 V CER X7R	02010	SA305C104MAAH
CR6	1990-0487	1	LED-LAMP LUM-INT=2.2MCD IF=20MA-MAX	01542	QLMP-1439
CR201	1901-0535	1	DIODE-SCHOTTKY SM SIG	12395	A2X356
CR202	1901-0535	1	DIODE-SCHOTTKY SM SIG	12395	A2X356
CR203	1901-0535	1	DIODE-SCHOTTKY SM SIG	12395	A2X356
CR204	1901-0535	1	DIODE-SCHOTTKY SM SIG	12395	A2X356
CR205	1901-1098	1	DIODE-SWITCHING 1N4150 50V 200MA 4NS	00746	1901-1098
CR206	1901-1098	1	DIODE-SWITCHING 1N4150 50V 200MA 4NS	00746	1901-1098
CR207	1901-1098	1	DIODE-SWITCHING 1N4150 50V 200MA 4NS	00746	1901-1098
CR208	1901-1098	1	DIODE-SWITCHING 1N4150 50V 200MA 4NS	00746	1901-1098
CR209	1901-0535	1	DIODE-SCHOTTKY SM SIG	12395	A2X356

*Indicates factory-selected value

**HP Part Number 08564-60025
Controller (continued)**

Reference Designator	HP Part Number	Qty	Description	Mfr Code	Mfr Part Number
CR210	1901-1098	1	DIODE-SWITCHING 1N4150 50V 200MA 4NS	00746	1901-1098
CR211	1901-1098	1	DIODE-SWITCHING 1N4150 50V 200MA 4NS	00746	1901-1098
CR212	1901-1098	1	DIODE-SWITCHING 1N4150 50V 200MA 4NS	00746	1901-1098
CR220	1901-1098	1	DIODE-SWITCHING 1N4150 50V 200MA 4NS	00746	1901-1098
CR301	1901-1279	1	DIODE-SCHOTTKY 60V 1NS DO-34	02910	BAT83
E1	1251-4787	1	SHUNT-DIP 8 POSITION; DUAL INLINE PKG	01380	435704-8
E6	9170-0016	1	CORE-SHIELDING BEAD	06337	56-590-65A1/3B
J1	1252-1064	1	CONN-POST TYPE .100-PIN-SPCG-MTG-END	01380	1-746878-0
J2	1252-1063	1	CONN-POST TYPE .100-PIN-SPCG-MTG-END	13369	67916-181
J3	1252-1062	1	CONN-POST TYPE .100-PIN-SPCG-MTG-END	01380	746878-7
J4	1250-0543	1	CONNECTOR-RF SMB MALE PC-W-STDFS 50-OHM	07247	59S213-40TD3
J5	1252-1065	1	CONN-POST TYPE .100-PIN-SPCG-MTG-END	07797	1252-1065
J6	1252-0449	1	CONN-POST TYPE .100-PIN-SPCG-MTG-END	01380	1-499141-0
J7	1250-0543	1	CONNECTOR-RF SMB MALE PC-W-STDFS 50-OHM	07247	59S213-40TD3
J8	1250-0543	1	CONNECTOR-RF SMB MALE PC-W-STDFS 50-OHM	07247	59S213-40TD3
J9	1251-5238	1	CONN-POST TYPE .100-PIN-SPCG-MTG-END	13369	68001-610
J10	1252-1882	1	CONN-POST TYPE .100-PIN-SPCG-MTG-END	13369	78208-103
J11	1252-1200	1	CONN-POST TYPE .100-PIN-SPCG-MTG-END	13369	68449-079
J12	1252-0523	1	CONN-POST TYPE .100-PIN-SPCG-MTG-END	01380	641216-3
J13	1252-0523	1	CONN-POST TYPE .100-PIN-SPCG-MTG-END	01380	641216-3
J14	1251-5639	1	CONN-POST TYPE .100-PIN-SPCG-MTG-END	01380	103239-2
J15	1250-0543	1	CONNECTOR-RF SMB MALE PC-W-STDFS 50-OHM	07247	59S213-40TD3
J201	1252-1200	1	CONN-POST TYPE .100-PIN-SPCG-MTG-END	13369	68449-079
J202	1252-1200	1	CONN-POST TYPE .100-PIN-SPCG-MTG-END	13369	68449-079
L1	9140-0738	1	INDUCTOR 100uH .6W-INX.7LG-IN	01869	52405
L2	9140-0738	1	INDUCTOR 100uH .6W-INX.7LG-IN	01869	52405
L3	9140-0737	1	INDUCTOR 10uH .7D-INX.6LG-IN	01869	53156
L4	9100-3552	1	INDUCTOR RF-CH-MLD 1.5uH +-5%	05524	IM-4 1.5UH 5%
L201	9100-3560	1	INDUCTOR RF-CH-MLD 5.6uH +-5%	05524	IM-4 5.6UH 5%
L202	9100-3560	1	INDUCTOR RF-CH-MLD 5.6uH +-5%	05524	IM-4 5.6UH 5%
L203	9100-3912	1	INDUCTOR RF-CH-MLD 15uH +-5%	03273	15M152J
L204	9100-3912	1	INDUCTOR RF-CH-MLD 15uH +-5%	03273	15M152J
MP2	1400-0866	1	CLAMP-CABLE .187-DIA .25-WD NYL	07158	C61332AA
MP18	1258-0141	1	JUMPER-REMOVABLE FOR 0.025 IN SQ PINS	01380	530153-2
MP19	1258-0141	1	JUMPER-REMOVABLE FOR 0.025 IN SQ PINS	01380	530153-2

**HP Part Number 08564-60025
Controller (continued)**

Reference Designator	HP Part Number	Qty	Description	Mfr Code	Mfr Part Number
MP20	1258-0141	1	JUMPER-REMOVABLE FOR 0.025 IN SQ PINS	01380	530153-2
Q201	1854-0979	1	TRANSISTOR NPN SI TO-92 PD=350MW	36633	MPS2369RLRA
Q202	1854-0979	1	TRANSISTOR NPN SI TO-92 PD=350MW	36633	MPS2369RLRA
Q203	1854-1028	1	TRANSISTOR NPN SI TO-92 PD=625MW	02237	2N3904
Q204	1855-0241	1	TRANSISTOR MOSFET N-CHAN E-MODE TO-72 SI	02883	SD215DE
Q205	1855-0241	1	TRANSISTOR MOSFET N-CHAN E-MODE TO-72 SI	02883	SD215DE
Q206	1855-0241	1	TRANSISTOR MOSFET N-CHAN E-MODE TO-72 SI	02883	SD215DE
Q207	1855-0241	1	TRANSISTOR MOSFET N-CHAN E-MODE TO-72 SI	02883	SD215DE
Q208	1855-0241	1	TRANSISTOR MOSFET N-CHAN E-MODE TO-72 SI	02883	SD215DE
Q301	1853-0213	1	TRANSISTOR PNP 2N4236 SI TO-39 PD=1W	11699	2N4236
Q302	BB1854-0477KI	1		28480	BB1854-0477KI
Q801	1853-0281	1	TRANSISTOR PNP 2N2907A SI TO-18 PD=400MW	04078	2N2907A
R2	0698-3155	1	RESISTOR 4.64K +-1% .125W TF TC=0+-100	06424	NK4H.125W1%+/-100PPM4641
R3	0757-0419	1	RESISTOR 681 +-1% .25W TF TC=0+-100	06424	NK4H.25W1%+/-100PPM681
R4	0698-3444	1	RESISTOR 316 +-1% .125W TF TC=0+-100	06424	NK4H.125W1%+/-100PPM316R0
R5	0757-0317	1	RESISTOR 1.33K +-1% .125W TF TC=0+-100	05524	CMF-551331FT-1
R6	0757-0317	1	RESISTOR 1.33K +-1% .125W TF TC=0+-100	05524	CMF-551331FT-1
R7	0757-0317	1	RESISTOR 1.33K +-1% .125W TF TC=0+-100	05524	CMF-551331FT-1
R8	0757-0280	1	RESISTOR 1K +-1% .125W TF TC=0+-100	05524	CMF-551001FT-1
R13	0698-3155	1	RESISTOR 4.64K +-1% .125W TF TC=0+-100	06424	NK4H.125W1%+/-100PPM4641
R14	0698-7210	1	RESISTOR 82.5 +-1% .05W TF TC=0+-100	06424	NK3H.05W1%+/-100PPM82R5
R15	0757-0317	1	RESISTOR 1.33K +-1% .125W TF TC=0+-100	05524	CMF-551331FT-1
R150	0698-6363	1	RESISTOR 40K +-0.1% .125W TF TC=0+-25	05524	CMF-554002BT-9
R151	0757-0442	1	RESISTOR 10K +-1% .125W TF TC=0+-100	05524	CMF-551002FT-1
R152	2100-2497	1	RESISTOR-TRMR 2K 10% TKF TOP-ADJ 1-TRN	04568	82PR2K
R153	0698-3442	1	RESISTOR 237 +-1% .125W TF TC=0+-100	05524	CMF-552370FT-1
R154	0698-3159	1	RESISTOR 26.1K +-1% .25W TF TC=0+-100	05524	CMF-552612FT-1
R155	0698-3159	1	RESISTOR 26.1K +-1% .25W TF TC=0+-100	05524	CMF-552612FT-1
R156	0757-0280	1	RESISTOR 1K +-1% .125W TF TC=0+-100	05524	CMF-551001FT-1
R157	8159-0005	1	RESISTOR 0 CWM	02499	YZO 1/4
R158	0757-0442	1	RESISTOR 10K +-1% .125W TF TC=0+-100	05524	CMF-551002FT-1
R159	0757-0280	1	RESISTOR 1K +-1% .125W TF TC=0+-100	05524	CMF-551001FT-1
R201	0699-0853	1	RESISTOR 5.3K +-0.1% .125W TF TC=0+-50	05524	CMF-555301BT-2
R202	0757-0438	1	RESISTOR 5.11K +-1% .125W TF TC=0+-100	06424	NK4H.125W1%+/-100PPM5111
R203	0698-6362	1	RESISTOR 1K +-0.1% .125W TF TC=0+-25	05524	CMF-551001BT-9

*Indicates factory-selected value

CLIP 08564-90028 5

**HP Part Number 08564-60025
Controller (continued)**

Reference Designator	HP Part Number	Qty	Description	Mfr Code	Mfr Part Number
R204	0698-6362	1	RESISTOR 1K +-0.1% .125W TF TC=0+-25	05524	CMF-551001BT-9
R205	0757-0401	1	RESISTOR 100 +-1% .125W TF TC=0+-100	05524	CMF-551000FT-1
R206	2100-1788	1	RESISTOR-TRMR 500 10% TKF TOP-ADJ 1-TRN	04568	82PR500
R207	0757-0274	1	RESISTOR 1.21K +-1% .125W TF TC=0+-100	06424	NK4H.125W1%+/-100PPM1211
R208	0698-3440	1	RESISTOR 196 +-1% .125W TF TC=0+-100	05524	CMF-551960FT-1
R209	2100-4184	1	RESISTOR-TRMR 10K 10% TKF TOP-ADJ 1-TRN	03744	3329H-EG9-103
R210	0757-0428	1	RESISTOR 1.62K +-1% .125W TF TC=0+-100	05524	CMF-551621FT-1
R211	0757-0416	1	RESISTOR 511 +-1% .125W TF TC=0+-100	06424	NK4H.125W1%+/-100PPM511R0
R212	0698-6362	1	RESISTOR 1K +-0.1% .125W TF TC=0+-25	05524	CMF-551001BT-9
R213	0698-6362	1	RESISTOR 1K +-0.1% .125W TF TC=0+-25	05524	CMF-551001BT-9
R214	0757-0401	1	RESISTOR 100 +-1% .125W TF TC=0+-100	05524	CMF-551000FT-1
R215	2100-1788	1	RESISTOR-TRMR 500 10% TKF TOP-ADJ 1-TRN	04568	82PR500
R216	0757-0274	1	RESISTOR 1.21K +-1% .125W TF TC=0+-100	06424	NK4H.125W1%+/-100PPM1211
R217	0698-3440	1	RESISTOR 196 +-1% .125W TF TC=0+-100	05524	CMF-551960FT-1
R218	2100-4194	1	RESISTOR-TRMR 5K 10% TKF TOP-ADJ 1-TRN	03744	3329H-EG9-502
R219	0757-0428	1	RESISTOR 1.62K +-1% .125W TF TC=0+-100	05524	CMF-551621FT-1
R220	0757-0416	1	RESISTOR 511 +-1% .125W TF TC=0+-100	06424	NK4H.125W1%+/-100PPM511R0
R221	0698-6320	1	RESISTOR 5K +-0.1% .125W TF TC=0+-25	05524	CMF-555001BT-9
R222	0757-0438	1	RESISTOR 5.11K +-1% .125W TF TC=0+-100	06424	NK4H.125W1%+/-100PPM5111
R223	0698-6904	1	RESISTOR 39.2K +-0.5% .125W TF TC=0+-50	05524	CMF-553922DT-2
R224	0698-3150	1	RESISTOR 2.37K +-1% .125W TF TC=0+-100	06424	NK4H.125W1%+/-100PPM2371
R225	0698-0084	1	RESISTOR 2.15K +-1% .125W TF TC=0+-100	06424	NK4H.125W1%+/-100PPM2151
R227	0757-0401	1	RESISTOR 100 +-1% .125W TF TC=0+-100	05524	CMF-551000FT-1
R228	0698-6904	1	RESISTOR 39.2K +-0.5% .125W TF TC=0+-50	05524	CMF-553922DT-2
R229	0698-3150	1	RESISTOR 2.37K +-1% .125W TF TC=0+-100	06424	NK4H.125W1%+/-100PPM2371
R230	0757-0442	1	RESISTOR 10K +-1% .125W TF TC=0+-100	05524	CMF-551002FT-1
R231	0698-6992	1	RESISTOR 8.947K +-0.1% .125W TF TC=0+-50	05524	CMF-558R947KBT-2
R232	0757-0401	1	RESISTOR 100 +-1% .125W TF TC=0+-100	05524	CMF-551000FT-1
R233	0757-1094	1	RESISTOR 1.47K +-1% .125W TF TC=0+-100	05524	CMF-551471FT-1
R234	0698-0083	1	RESISTOR 1.96K +-1% .125W TF TC=0+-100	06424	NK4H.125W1%+/-100PPM1961
R235	0757-0317	1	RESISTOR 1.33K +-1% .125W TF TC=0+-100	05524	CMF-551331FT-1
R236	0757-1094	1	RESISTOR 1.47K +-1% .125W TF TC=0+-100	05524	CMF-551471FT-1
R237	0757-1094	1	RESISTOR 1.47K +-1% .125W TF TC=0+-100	05524	CMF-551471FT-1
R238	0698-3444	1	RESISTOR 316 +-1% .125W TF TC=0+-100	06424	NK4H.125W1%+/-100PPM316R0
R239	0698-3152	1	RESISTOR 3.48K +-1% .125W TF TC=0+-100	05524	CMF-553481FT-1

**HP Part Number 08564-60025
Controller (continued)**

Reference Designator	HP Part Number	Qty	Description	Mfr Code	Mfr Part Number
R240	0757-0428	1	RESISTOR 1.62K +-1% .125W TF TC=0+-100	05524	CMF-551621FT-1
R241	0698-3443	1	RESISTOR 287 +-1% .125W TF TC=0+-100	06424	NK4H.125W1%+/-100PPM287R0
R242	0757-0279	1	RESISTOR 3.16K +-1% .125W TF TC=0+-100	05524	CMF-553161FT-1
R243	0757-0278	1	RESISTOR 1.78K +-1% .125W TF TC=0+-100	05524	CMF-551781FT-1
R244	0698-3160	1	RESISTOR 31.6K +-1% .125W TF TC=0+-100	06424	NK4H.125W1%+/-100PPM3162
R245	0698-3160	1	RESISTOR 31.6K +-1% .125W TF TC=0+-100	06424	NK4H.125W1%+/-100PPM3162
R246	0757-0447	1	RESISTOR 16.2K +-1% .125W TF TC=0+-100	05524	CMF-551622FT-1
R247	0698-3160	1	RESISTOR 31.6K +-1% .125W TF TC=0+-100	06424	NK4H.125W1%+/-100PPM3162
R248	0698-3160	1	RESISTOR 31.6K +-1% .125W TF TC=0+-100	06424	NK4H.125W1%+/-100PPM3162
R249	0757-0447	1	RESISTOR 16.2K +-1% .125W TF TC=0+-100	05524	CMF-551622FT-1
R250	0699-0070	1	RESISTOR 3.16M +-1% .125W TF TC=0+-100	05524	CMF-553164FT-1
R251	0698-8827	1	RESISTOR 1M +-1% .125W TF TC=0+-100	05524	CMF-551004FT-1
R252	0757-0463	1	RESISTOR 82.5K +-1% .125W TF TC=0+-100	05524	CMF-558252FT-1
R253	0757-0465	1	RESISTOR 100K +-1% .125W TF TC=0+-100	05524	CMF-551003FT-1
R255	0757-0442	1	RESISTOR 10K +-1% .125W TF TC=0+-100	05524	CMF-551002FT-1
R256	0757-0401	1	RESISTOR 100 +-1% .125W TF TC=0+-100	05524	CMF-551000FT-1
R257	0757-0442	1	RESISTOR 10K +-1% .125W TF TC=0+-100	05524	CMF-551002FT-1
R258	0757-0463	1	RESISTOR 82.5K +-1% .125W TF TC=0+-100	05524	CMF-558252FT-1
R259	0698-3440	1	RESISTOR 196 +-1% .125W TF TC=0+-100	05524	CMF-551960FT-1
R260	0698-7403	1	RESISTOR 1.285K +-0.1% .125W TF TC=0+-50	05524	CMF-551R285KBT-2
R261	0698-7403	1	RESISTOR 1.285K +-0.1% .125W TF TC=0+-50	05524	CMF-551R285KBT-2
R262	2100-4192	1	RESISTOR-TRMR 50K 10% TKF TOP-ADJ 1-TRN	03744	3329H-EG9-503
R263	2100-4192	1	RESISTOR-TRMR 50K 10% TKF TOP-ADJ 1-TRN	03744	3329H-EG9-503
R264	0757-1094	1	RESISTOR 1.47K +-1% .125W TF TC=0+-100	05524	CMF-551471FT-1
R265	0757-1094	1	RESISTOR 1.47K +-1% .125W TF TC=0+-100	05524	CMF-551471FT-1
R266	0699-0068	1	RESISTOR 1.47M +-1% .125W TF TC=0+-100	05524	CMF-551474FT-1
R267	0698-3159	1	RESISTOR 26.1K +-1% .25W TF TC=0+-100	05524	CMF-552612FT-1
R268	2100-4184	1	RESISTOR-TRMR 10K 10% TKF TOP-ADJ 1-TRN	03744	3329H-EG9-103
R269	0757-0401	1	RESISTOR 100 +-1% .125W TF TC=0+-100	05524	CMF-551000FT-1
R270	0757-0416	1	RESISTOR 511 +-1% .125W TF TC=0+-100	06424	NK4H.125W1%+/-100PPM511R0
R271	2100-4194	1	RESISTOR-TRMR 5K 10% TKF TOP-ADJ 1-TRN	03744	3329H-EG9-502
R272	0757-0438	1	RESISTOR 5.11K +-1% .125W TF TC=0+-100	06424	NK4H.125W1%+/-100PPM5111
R273	0757-0398	1	RESISTOR 75 +-1% .125W TF TC=0+-100	05524	CMF-5575R0FT-1
R274	0698-3160	1	RESISTOR 31.6K +-1% .125W TF TC=0+-100	06424	NK4H.125W1%+/-100PPM3162
R275	0698-3160	1	RESISTOR 31.6K +-1% .125W TF TC=0+-100	06424	NK4H.125W1%+/-100PPM3162

*Indicates factory-selected value

CLIP 08564-90028 7

**HP Part Number 08564-60025
Controller (continued)**

Reference Designator	HP Part Number	Qty	Description	Mfr Code	Mfr Part Number
R276	0698-3155	1	RESISTOR 4.64K +-1% .125W TF TC=0+-100	06424	NK4H.125W1%+/-100PPM4641
R277	0698-3155	1	RESISTOR 4.64K +-1% .125W TF TC=0+-100	06424	NK4H.125W1%+/-100PPM4641
R278	0757-0442	1	RESISTOR 10K +-1% .125W TF TC=0+-100	05524	CMF-551002FT-1
R279	0757-0458	1	RESISTOR 51.1K +-1% .125W TF TC=0+-100	06424	NK4H.125W1%+/-100PPM5112
R280	0757-0465	1	RESISTOR 100K +-1% .125W TF TC=0+-100	05524	CMF-551003FT-1
R281	0757-0401	1	RESISTOR 100 +-1% .125W TF TC=0+-100	05524	CMF-551000FT-1
R282	0698-7261	1	RESISTOR 11K +-1% .05W TF TC=0+-100	05524	CMF-501102FT-1
R283	0698-7260	1	RESISTOR 10K +-1% .05W TF TC=0+-100	06424	NK3H.05W1%+/-100PPM1002
R284	0698-4483	1	RESISTOR 18.7K +-1% .125W TF TC=0+-100	05524	CMF-551872FT-1
R285	0757-0442	1	RESISTOR 10K +-1% .125W TF TC=0+-100	05524	CMF-551002FT-1
R286	0698-3157	1	RESISTOR 19.6K +-1% .125W TF TC=0+-100	06424	NK4H.125W1%+/-100PPM1962
R287	0699-2698	1	RESISTOR 422K +-1% .05W TF TC=0+-100	05524	CMF-504223FT-1
R288	0757-0441	1	RESISTOR 8.25K +-1% .125W TF TC=0+-100	06424	NK4H.125W1%+/-100PPM8251
R289	0698-3445	1	RESISTOR 348 +-1% .125W TF TC=0+-100	06424	NK4H.125W1%+/-100PPM348R0
R290	0698-3498	1	RESISTOR 8.66K +-1% .125W TF TC=0+-100	05524	CMF-558661FT-1
R301	0698-3150	1	RESISTOR 2.37K +-1% .125W TF TC=0+-100	06424	NK4H.125W1%+/-100PPM2371
R302	0757-0419	1	RESISTOR 681 +-1% .25W TF TC=0+-100	06424	NK4H.25W1%+/-100PPM681
R303	0757-0401	1	RESISTOR 100 +-1% .125W TF TC=0+-100	05524	CMF-551000FT-1
R304	0698-3440	1	RESISTOR 196 +-1% .125W TF TC=0+-100	05524	CMF-551960FT-1
R307	0699-0073	1	RESISTOR 10M +-1% .125W TF TC=0+-100	05524	CMF-551005FT-1
R500	0757-0394	1	RESISTOR 51.1 +-1% .125W TF TC=0+-100	05524	CMF-5551R1FT-1
R501	0757-0394	1	RESISTOR 51.1 +-1% .125W TF TC=0+-100	05524	CMF-5551R1FT-1
R502	0757-0394	1	RESISTOR 51.1 +-1% .125W TF TC=0+-100	05524	CMF-5551R1FT-1
R700	0698-3155	1	RESISTOR 4.64K +-1% .125W TF TC=0+-100	06424	NK4H.125W1%+/-100PPM4641
R701	0757-0394	1	RESISTOR 51.1 +-1% .125W TF TC=0+-100	05524	CMF-5551R1FT-1
R702	0757-0418	1	RESISTOR 619 +-1% .125W TF TC=0+-100	05524	CMF-556190FT-1
R703	0698-3155	1	RESISTOR 4.64K +-1% .125W TF TC=0+-100	06424	NK4H.125W1%+/-100PPM4641
R704	0757-0418	1	RESISTOR 619 +-1% .125W TF TC=0+-100	05524	CMF-556190FT-1
R801	0698-3155	1	RESISTOR 4.64K +-1% .125W TF TC=0+-100	06424	NK4H.125W1%+/-100PPM4641
R802	0698-3155	1	RESISTOR 4.64K +-1% .125W TF TC=0+-100	06424	NK4H.125W1%+/-100PPM4641
R803	0757-0442	1	RESISTOR 10K +-1% .125W TF TC=0+-100	05524	CMF-551002FT-1
R804	0757-0465	1	RESISTOR 100K +-1% .125W TF TC=0+-100	05524	CMF-551003FT-1
R805	0757-0317	1	RESISTOR 1.33K +-1% .125W TF TC=0+-100	05524	CMF-551331FT-1
R806	0698-3162	1	RESISTOR 46.4K +-1% .125W TF TC=0+-100	05524	CMF-554642FT-1
R807	0757-0442	1	RESISTOR 10K +-1% .125W TF TC=0+-100	05524	CMF-551002FT-1

**HP Part Number 08564-60025
Controller (continued)**

Reference Designator	HP Part Number	Qty	Description	Mfr Code	Mfr Part Number
R808	0757-0465	1	RESISTOR 100K +-1% .125W TF TC=0+-100	05524	CMF-551003FT-1
R809	0698-3155	1	RESISTOR 4.64K +-1% .125W TF TC=0+-100	06424	NK4H.125W1%+/-100PPM4641
R810	0757-0401	1	RESISTOR 100 +-1% .125W TF TC=0+-100	05524	CMF-551000FT-1
R811	0699-1748	1	RESISTOR 287K +-1% .05W TF TC=0+-100	05524	CMF-502873FT-1
TP3	0360-2359	1	TERMINAL-TEST POINT .230IN ABOVE	13296	230.100
TP10	0360-2359	1	TERMINAL-TEST POINT .230IN ABOVE	13296	230.100
TP11	0360-2359	1	TERMINAL-TEST POINT .230IN ABOVE	13296	230.100
TP12	0360-2359	1	TERMINAL-TEST POINT .230IN ABOVE	13296	230.100
TP101	0360-2359	1	TERMINAL-TEST POINT .230IN ABOVE	13296	230.100
U1	1820-6365	1	IC-16-BIT MPU,16MHZ, CMOS	06354	TMP68HC000P16.67
U2	1820-1851	1	IC ENCDR TTL/LS PRIORITY 8-TO-3-LINE	01698	SN74LS148N
U3	1820-3665	1	IC TRANSCEIVER CMOS/HCT BUS OCTL	01698	SN74HCT245N
U4	1820-1200	1	IC INV TTL/LS HEX	01698	SN74LS05N
U5	1820-3456	1	IC DRVR CMOS/HCT BUS OCTL	02910	74HCT244N
U6	1820-3456	1	IC DRVR CMOS/HCT BUS OCTL	02910	74HCT244N
U7	1810-0279	1	NET-RES 9 4.7K OHM 10-PIN	05524	MSP10A01-472G
U8	1810-0279	1	NET-RES 9 4.7K OHM 10-PIN	05524	MSP10A01-472G
U9	1810-0279	1	NET-RES 9 4.7K OHM 10-PIN	05524	MSP10A01-472G
U10	1820-3456	1	IC DRVR CMOS/HCT BUS OCTL	02910	74HCT244N
U11	1820-3456	1	IC DRVR CMOS/HCT BUS OCTL	02910	74HCT244N
U12	1820-3665	1	IC TRANSCEIVER CMOS/HCT BUS OCTL	01698	SN74HCT245N
U13	1810-0279	1	NET-RES 9 4.7K OHM 10-PIN	05524	MSP10A01-472G
U14	1820-1208	1	IC GATE TTL/LS OR QUAD 2-INP	01698	SN74LS32N
U15	1810-0279	1	NET-RES 9 4.7K OHM 10-PIN	05524	MSP10A01-472G
U16	1810-0279	1	NET-RES 9 4.7K OHM 10-PIN	05524	MSP10A01-472G
U17	1810-0279	1	NET-RES 9 4.7K OHM 10-PIN	05524	MSP10A01-472G
U18	1810-0279	1	NET-RES 9 4.7K OHM 10-PIN	05524	MSP10A01-472G
U19	1990-0670	1	LED-LAMP LUM-INT=1MCD IF=20MA-MAX BVR=5V	01542	HLMP-6400
U20	1810-0542	1	NET-RES 5 10.0K OHM 10-PIN	06252	750-103-R10K
U21	1820-3665	1	IC TRANSCEIVER CMOS/HCT BUS OCTL	01698	SN74HCT245N
U22	08563-80058	1	PAL-PRGMD U22	28480	08563-80058
U23	1810-0279	1	NET-RES 9 4.7K OHM 10-PIN	05524	MSP10A01-472G
U24	1810-0301	1	NET-RES 8 51.0 OHM 16-PIN	05524	MDP16-03-510G
U25	1990-0670	1	LED-LAMP LUM-INT=1MCD IF=20MA-MAX BVR=5V	01542	HLMP-6400
U26	1990-0670	1	LED-LAMP LUM-INT=1MCD IF=20MA-MAX BVR=5V	01542	HLMP-6400

*Indicates factory-selected value

CLIP 08564-90028 9

**HP Part Number 08564-60025
Controller (continued)**

Reference Designator	HP Part Number	Qty	Description	Mfr Code	Mfr Part Number
U27	1990-0670	1	LED-LAMP LUM-INT=1MCD IF=20MA-MAX BVR=5V	01542	HLMP-6400
U28	1990-0670	1	LED-LAMP LUM-INT=1MCD IF=20MA-MAX BVR=5V	01542	HLMP-6400
U100	1SF8-0068	1	DISPLAY ASM	28480	1SF8-0068
U101	1818-7060	1	IC 64K-BIT SRAM 35-NS CMOS	10253	IDT7164L35P
U102	1818-7060	1	IC 64K-BIT SRAM 35-NS CMOS	10253	IDT7164L35P
U103	1820-1438	1	IC MUXR/DATA-SEL TTL/LS 2-TO-1-LINE QUAD	01698	SN74LS257BN
U104	1820-1438	1	IC MUXR/DATA-SEL TTL/LS 2-TO-1-LINE QUAD	01698	SN74LS257BN
U105	1820-1438	1	IC MUXR/DATA-SEL TTL/LS 2-TO-1-LINE QUAD	01698	SN74LS257BN
U106	1820-1322	1	IC GATE TTL/S NOR QUAD 2-INP	01698	SN74S02N
U150	1820-2622	1	IC OSC TTL/LS	01698	SN74LS624N
U151	1820-3207	1	IC CNTR CMOS/HC BI-QUINARY ASYNCHRO	36633	MC74HC390AN
U152	1820-3081	1	IC FF CMOS/HC D-TYPE POS-EDGE-TRIG	01698	SN74HC74N
U153	1826-1533	1	IC OP AMP H-SLEW-RATE DUAL 8 PIN DIP-P	36633	MC34072P
U154	1820-3298	1	IC GATE CMOS/HC OR QUAD 2-INP	02237	MM74HC32N
U201	1826-2412	1	IC OP AMP LOW-NOISE DUAL 8 PIN DIP-P	02910	NE5532AN
U202	1826-1422	1	IC OP AMP WB QUAD 14 PIN DIP-P	36633	MC34084P
U203	1826-2412	1	IC OP AMP LOW-NOISE DUAL 8 PIN DIP-P	02910	NE5532AN
U204	1826-0938	1	D/A 10-BIT 18-CERDIP BPLR	03285	DAC-10FX
U205	1826-0938	1	D/A 10-BIT 18-CERDIP BPLR	03285	DAC-10FX
U206	1820-5057	1	IC GATE CMOS/HCT NAND TPL 3-INP	01698	CD74HCT10E
U207	1826-1012	1	ANALOG SWITCH 4 SPST 16 -CERDIP	37338	HI1-0201-4
U208	1826-0715	1	IC OP AMP LOW-NOISE 8 PIN DIP-P	02910	NE5534AN
U209	1826-0610	1	ANALOG MULTIPLEXER 4 CHNL 16 -CERDIP	03285	MUX-24FQ
U210	1826-1422	1	IC OP AMP WB QUAD 14 PIN DIP-P	36633	MC34084P
U211	1826-1422	1	IC OP AMP WB QUAD 14 PIN DIP-P	36633	MC34084P
U212	1826-1231	1	D/A 8-DGT 20-PLASTIC CMOS	03285	AD7528KN
U213	1820-1144	1	IC GATE TTL/LS NOR QUAD 2-INP	01698	SN74LS02N
U214	1820-1112	1	IC FF TTL/LS D-TYPE POS-EDGE-TRIG	01698	SN74LS74AN
U215	1820-1423	1	IC MV TTL/LS MONOSTBL RETRIG DUAL	01698	SN74LS123N
U216	1826-0715	1	IC OP AMP LOW-NOISE 8 PIN DIP-P	02910	NE5534AN
U217	1826-0412	1	IC COMPARATOR PRCN DUAL 8 PIN DIP-P	03406	LM393N
U300	1818-4953	1	IC 1M-BIT SRAM 85-NS CMOS	06354	TC551001CP-85L
U301	1818-4953	1	IC 1M-BIT SRAM 85-NS CMOS	06354	TC551001CP-85L
U306	08564-80057	1		28480	08564-80057
U307	08564-80058	1		28480	08564-80058

**HP Part Number 08564-60025
Controller (continued)**

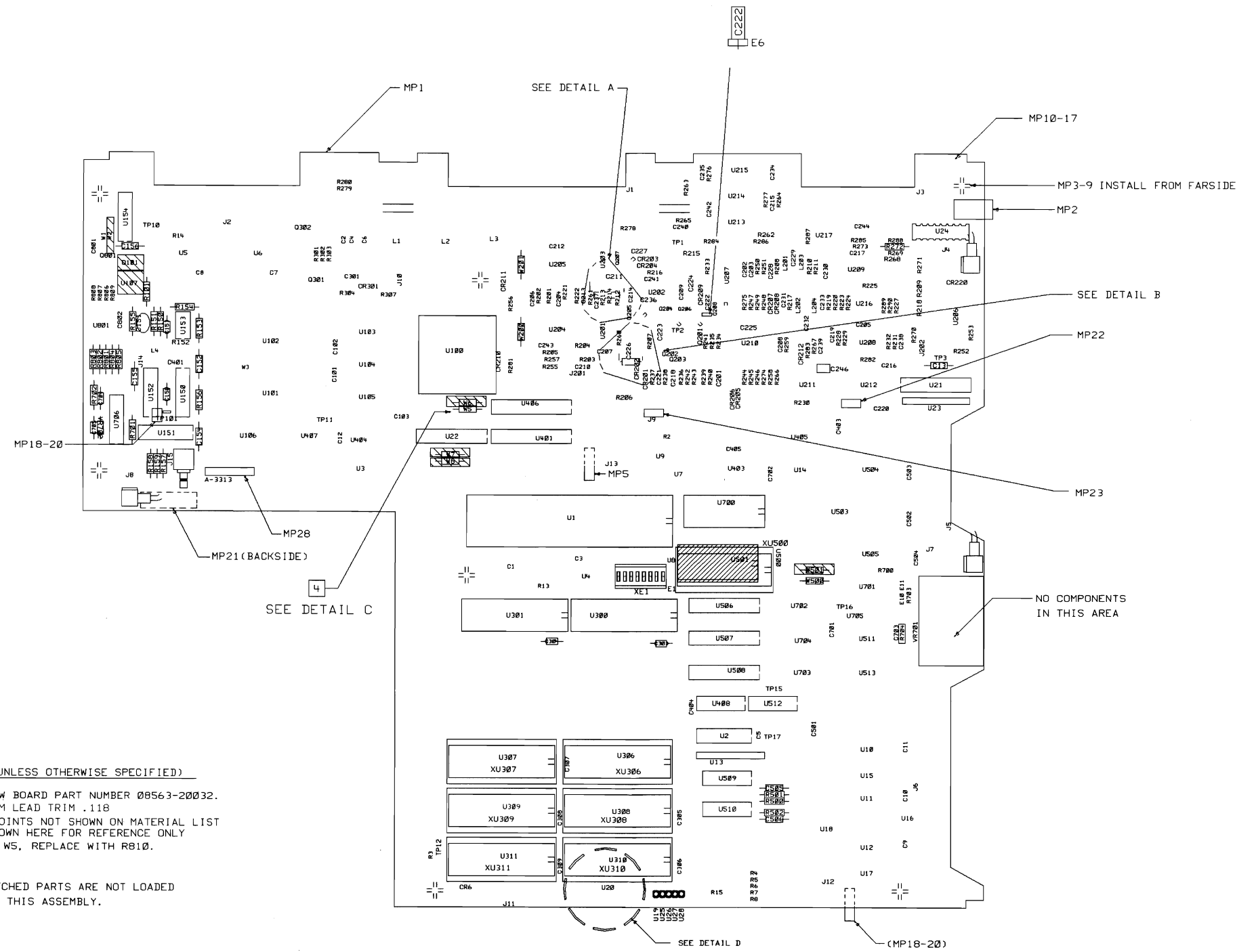
Reference Designator	HP Part Number	Qty	Description	Mfr Code	Mfr Part Number
U308	08564-80059	1		28480	08564-80059
U309	08564-80060	1		28480	08564-80060
U310	08564-80011	1	EPROM PRGMD U310	28480	08564-80011
U311	08564-80012	1	EPROM PRGMD U311	28480	08564-80012
U401	08563-80049	1	PAL-PRGMED	28480	08563-80049
U403	1820-1449	1	IC GATE TTL/S OR QUAD 2-INP	02237	DM74S32N
U404	1820-1199	1	IC INV TTL/LS HEX 1-INP	01698	SN74LS04N
U405	1820-1216	1	IC DCDR-DEMUXR TTL/LS BIN 3-TO-8-LINE	01698	SN74LS138N
U406	08564-80002	1	PROGRAM PAL	28480	08564-80002
U407	1820-0681	1	IC GATE TTL/S NAND QUAD 2-INP	01698	SN74S00N
U408	1820-1449	1	IC GATE TTL/S OR QUAD 2-INP	02237	DM74S32N
U500	08564-80037	1	PROGRAM EPROM	28480	08564-80037
U503	1821-1740	1	IC-HPIB CONTROLLER	01698	MP9914NL
U504	1820-3431	1	IC-INTERFACE XCVR BIPOLAR INSTRUMENT BUS	03406	DS75160AN
U505	1820-3513	1	IC-INTERFACE XCVR BIPOLAR INSTRUMENT BUS	03406	DS75161AN
U506	1820-4465	1	IC FF CMOS/HCT D-TYPE POS-EDGE-TRIG COM	02910	74HCT377N
U507	1820-4465	1	IC FF CMOS/HCT D-TYPE POS-EDGE-TRIG COM	02910	74HCT377N
U508	1820-3456	1	IC DRVR CMOS/HCT BUS OCTL	02910	74HCT244N
U509	1820-4643	1	IC GATE CMOS/HCT NOR QUAD 2-INP 14-PDIP	01698	SN74HCT02N
U510	1820-4721	1	IC GATE CMOS/HCT OR QUAD 2-INP	02910	74HCT32N
U511	1820-1197	1	IC GATE TTL/LS NAND QUAD 2-INP	01698	SN74LS00N
U512	1820-1198	1	IC GATE TTL/LS NAND QUAD 2-INP	01698	SN74LS03N
U513	1820-1203	1	IC GATE TTL/LS AND TPL 3-INP	01698	SN74LS11N
U700	1820-4669	1	IC-PROGRAMMABLE INTERVAL TIMER - 8MHZ	37338	CP82C54-10
U701	1820-1112	1	IC FF TTL/LS D-TYPE POS-EDGE-TRIG	01698	SN74LS74AN
U702	1820-1435	1	IC CNTR TTL/LS BIN UP/DOWN SYNCHRO	01698	SN74LS669N
U703	1820-2096	1	IC CNTR TTL/LS BIN ASYNCHRO	01698	SN74LS393N
U704	1820-1238	1	IC MUXR/DATA-SEL TTL/LS 4-TO-1-LINE DUAL	01698	SN74LS253N
U705	1820-0723	1	IC-INTERFACE RCVR BIPOLAR LINE RCVR DUAL	01698	SN75107AN
U706	1820-0723	1	IC-INTERFACE RCVR BIPOLAR LINE RCVR DUAL	01698	SN75107AN
U801	1826-0412	1	IC COMPARATOR PRCN DUAL 8 PIN DIP-P	03406	LM393N
VR701	1902-0951	1	DIODE-ZNR 5.1V 5% DO-35 PD=.4W TC=+.035%	36633	SZ30035-9RL
VR702	1902-0951	1	DIODE-ZNR 5.1V 5% DO-35 PD=.4W TC=+.035%	36633	SZ30035-9RL
W1	8159-0005	1	RESISTOR 0 CWM	02499	YZO 1/4
W3	8159-0005	1	RESISTOR 0 CWM	02499	YZO 1/4

*Indicates factory-selected value

**HP Part Number 08564-60025
Controller (continued)**

Reference Designator	HP Part Number	Qty	Description	Mfr Code	Mfr Part Number
W200	8159-0005	1	RESISTOR 0 CWM	02499	YZO 1/4
W201	8159-0005	1	RESISTOR 0 CWM	02499	YZO 1/4
W500	8159-0005	1	RESISTOR 0 CWM	02499	YZO 1/4

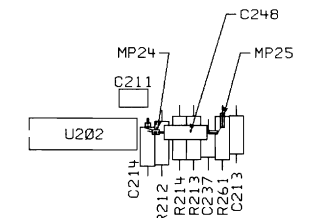
5300		D-08564-60025-2	
SYM	REVISIONS	APPROVED	DATE
A	AS ISSUED PER PCO 53-11395/GH		
B	CHANGED PER PCO 53-11500 /RS		



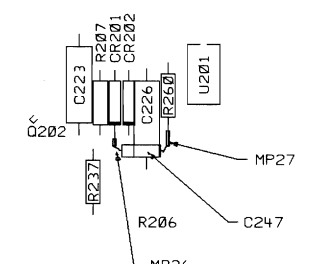
NOTES: (UNLESS OTHERWISE SPECIFIED)

1. USE RAW BOARD PART NUMBER 08563-20032.
2. MAXIMUM LEAD TRIM .118
3. TEST POINTS NOT SHOWN ON MATERIAL LIST ARE SHOWN HERE FOR REFERENCE ONLY
4. DELETE WS, REPLACE WITH R810.

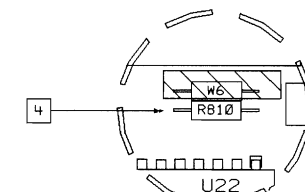
HATCHED PARTS ARE NOT LOADED FOR THIS ASSEMBLY.



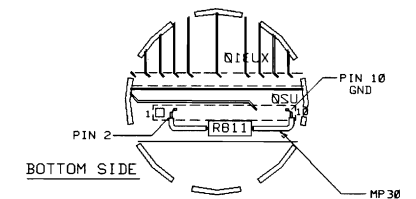
DETAIL A (FROM FAR SIDE)
SCALE: NONE



DETAIL B (FROM FAR SIDE)
SCALE: NONE



DETAIL C
SCALE: NONE



DETAIL D
SCALE: NONE

TOP SIDE SEE 08564-60025 MATERIAL LIST

AGILENT TECHNOLOGIES
RESTRICTED
THIS DOCUMENT CONTAINS CONFIDENTIAL,
PROPRIETARY INFORMATION THAT IS
AGILENT TECHNOLOGIES PROPERTY. DO NOT
DISCLOSE TO OR DUPLICATE FOR OTHERS EXCEPT
AS AUTHORIZED BY AGILENT TECHNOLOGIES.

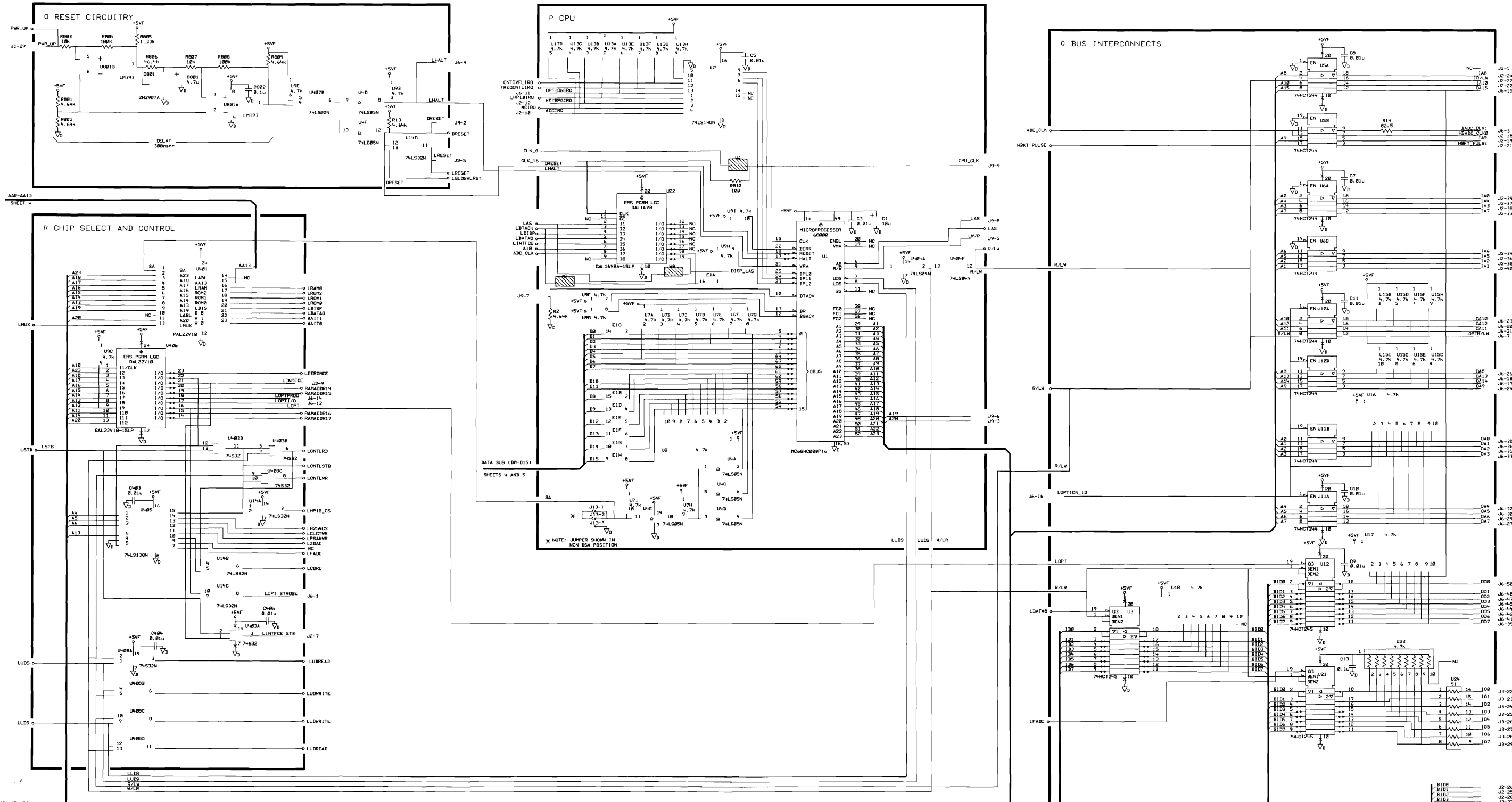
UNLESS OTHERWISE SPECIFIED,
DIMENSIONS ARE IN INCHES.
TOLERANCES: XX.XXX ±.010
 XX.XX ±.02
THIRD ANGLE
PROJECTION
DO NOT SCALE THIS DRAWING

DRAWN BY	DATE
ENGINEER/CHECKER	DATE
RELEASE TO PROD.	DATE
SUPersedes DWG.	

ASSEMBLY, PWB
CONTROLLER
FOR FADC
TITLE

alaby025 FILENAME	
SCALE NONE	
SHEET 1 OF 1	08564-60025 PART NUMBER
D-08564-60025-2	

S300 EA 3313		08564-60025-1	
REVISIONS		APPROVED	DATE
D	CHANGED PER PCO 53-14151 SL		10-01-99
E	CHANGED PER PCO 53-14485 /GH		12-02-99



ADDR BUS (A0-A23)
SHEETS 1, 3 AND 4

SIGNAL	SHEET				SIGNAL	SHEET			
	1	2	3	4		1	2	3	4
IBPZTTL					LMP1BIRD				
ADC_CLK					LLDREAD				
BATTERY					LLDWRITE				
BLANK					LNKX				
CLK_4					LPSAKWR				
CLK_8					LROB				
CLK_16					LROB2				
ONTDFLIRD					LROB3				
DEF7					LROB4				
DRESET					LROB5				
FREQDNTLIRD					LROB6				
IRBS_PULSE					LROB7				
LAS					LROB8				
LBRDHT					LROB9				
LDRD					LROB10				
LDRWR					LROB11				
LCLTWR					LROB12				
LONTLRB					LROB13				
LONTLWR					LROB14				
LNTLSTB					LROB15				
LNTLW					LROB16				
LNTLSTB					LROB17				
LNTLW					LROB18				
LNTLSTB					LROB19				
LNTLW					LROB20				
LNTLSTB					LROB21				
LNTLW					LROB22				
LNTLSTB					LROB23				
LNTLW					LROB24				
LNTLSTB					LROB25				
LNTLW					LROB26				
LNTLSTB					LROB27				
LNTLW					LROB28				
LNTLSTB					LROB29				
LNTLW					LROB30				
LNTLSTB					LROB31				
LNTLW					LROB32				
LNTLSTB					LROB33				
LNTLW					LROB34				
LNTLSTB					LROB35				
LNTLW					LROB36				
LNTLSTB					LROB37				
LNTLW					LROB38				
LNTLSTB					LROB39				
LNTLW					LROB40				
LNTLSTB					LROB41				
LNTLW					LROB42				
LNTLSTB					LROB43				
LNTLW					LROB44				
LNTLSTB					LROB45				
LNTLW					LROB46				
LNTLSTB					LROB47				
LNTLW					LROB48				
LNTLSTB					LROB49				
LNTLW					LROB50				
LNTLSTB					LROB51				
LNTLW					LROB52				
LNTLSTB					LROB53				
LNTLW					LROB54				
LNTLSTB					LROB55				
LNTLW					LROB56				
LNTLSTB					LROB57				
LNTLW					LROB58				
LNTLSTB					LROB59				
LNTLW					LROB60				
LNTLSTB					LROB61				
LNTLW					LROB62				
LNTLSTB					LROB63				
LNTLW					LROB64				
LNTLSTB					LROB65				
LNTLW					LROB66				
LNTLSTB					LROB67				
LNTLW					LROB68				
LNTLSTB					LROB69				
LNTLW					LROB70				
LNTLSTB					LROB71				
LNTLW					LROB72				
LNTLSTB					LROB73				
LNTLW					LROB74				
LNTLSTB					LROB75				
LNTLW					LROB76				
LNTLSTB					LROB77				
LNTLW					LROB78				
LNTLSTB					LROB79				
LNTLW					LROB80				
LNTLSTB					LROB81				
LNTLW					LROB82				
LNTLSTB					LROB83				
LNTLW					LROB84				
LNTLSTB					LROB85				
LNTLW					LROB86				
LNTLSTB					LROB87				
LNTLW					LROB88				
LNTLSTB					LROB89				
LNTLW					LROB90				
LNTLSTB					LROB91				
LNTLW					LROB92				
LNTLSTB					LROB93				
LNTLW					LROB94				
LNTLSTB					LROB95				
LNTLW					LROB96				
LNTLSTB					LROB97				
LNTLW					LROB98				
LNTLSTB					LROB99				
LNTLW					LROB100				

UNUSED PACKAGES

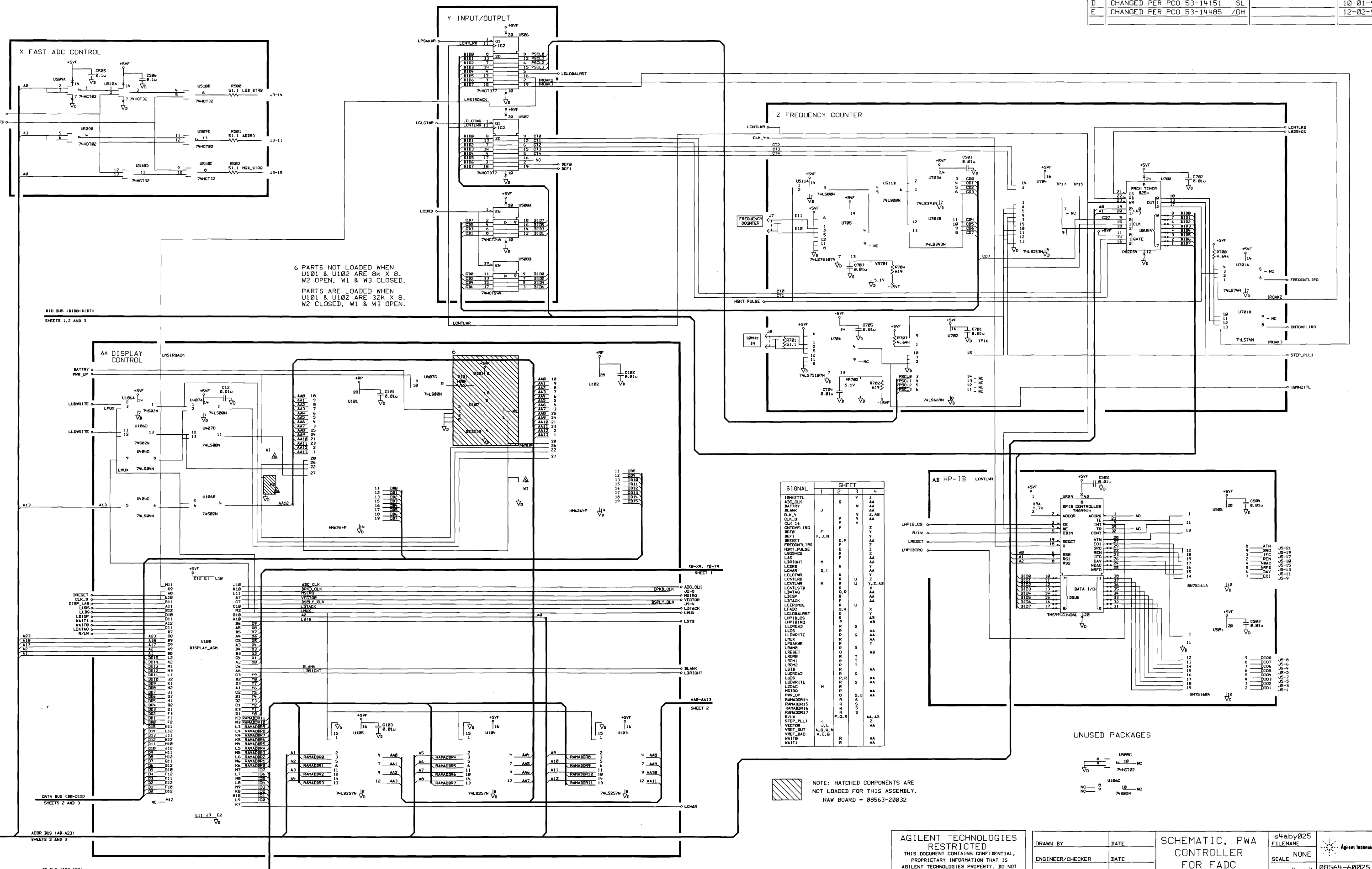
NOTE: HATCHED COMPONENTS ARE NOT LOADED FOR THIS ASSEMBLY.
RAW BOARD = 08563-20032

AGILENT TECHNOLOGIES
RESTRICTED
THIS DOCUMENT CONTAINS CONFIDENTIAL, PROPRIETARY INFORMATION THAT IS AGILENT TECHNOLOGIES PROPERTY. DO NOT DISCLOSE TO OR DUPLICATE FOR OTHERS EXCEPT AS AUTHORIZED BY AGILENT TECHNOLOGIES.

DRAWN BY	DATE
ENGINEER/CHECKER	DATE
RELEASE TO PROD.	DATE
SUPERSEDES DWG.	

SCHEMATIC, PWA
CONTROLLER
FOR FADC

s2aby025	Agilent Technologies
FILENAME	NONE
SCALE	2 4
SHEET OF	08564-60025
PART NUMBER	08564-60025-1



6 PARTS NOT LOADED WHEN U101 & U102 ARE 8K X 8. W2 OPEN, W1 & W3 CLOSED. PARTS ARE LOADED WHEN U101 & U102 ARE 32K X 8. W2 CLOSED, W1 & W3 OPEN.

SIGNAL	1	2	3	4
10MHz TTL				
ADC CLK	0	V	Z	AA
BATTERY	J	W	AA	AA
BLANK		V	Z, AB	AA
CLK_4	P	V	Y	AA
CLK_8	P	V	Y	AA
CLK_16	P	V	Y	AA
OUTOVFL1RD	F	J, H	D, P	AA
DEF1				AA
HBK_PULSE				AA
FRECDNTL1RD				AA
LE25VCS				AA
LAS	M	R	Y	AA
LBRIGHT				AA
LCDIR	D, I	R	Y	AA
LCHMR				AA
LCLTMR				AA
LCONTR				AA
LQDCLRST				AA
LRF1CS				AA
LRF1RD				AA
LRF2CS				AA
LRF2RD				AA
LRF3CS				AA
LRF3RD				AA
LRF4CS				AA
LRF4RD				AA
LRF5CS				AA
LRF5RD				AA
LRF6CS				AA
LRF6RD				AA
LRF7CS				AA
LRF7RD				AA
LRF8CS				AA
LRF8RD				AA
LRF9CS				AA
LRF9RD				AA
LRF10CS				AA
LRF10RD				AA
LRF11CS				AA
LRF11RD				AA
LRF12CS				AA
LRF12RD				AA
LRF13CS				AA
LRF13RD				AA
LRF14CS				AA
LRF14RD				AA
LRF15CS				AA
LRF15RD				AA
LRF16CS				AA
LRF16RD				AA
LRF17CS				AA
LRF17RD				AA
LRF18CS				AA
LRF18RD				AA
LRF19CS				AA
LRF19RD				AA
LRF20CS				AA
LRF20RD				AA
LRF21CS				AA
LRF21RD				AA
LRF22CS				AA
LRF22RD				AA
LRF23CS				AA
LRF23RD				AA
LRF24CS				AA
LRF24RD				AA
LRF25CS				AA
LRF25RD				AA
LRF26CS				AA
LRF26RD				AA
LRF27CS				AA
LRF27RD				AA
LRF28CS				AA
LRF28RD				AA
LRF29CS				AA
LRF29RD				AA
LRF30CS				AA
LRF30RD				AA
LRF31CS				AA
LRF31RD				AA
LRF32CS				AA
LRF32RD				AA
LRF33CS				AA
LRF33RD				AA
LRF34CS				AA
LRF34RD				AA
LRF35CS				AA
LRF35RD				AA
LRF36CS				AA
LRF36RD				AA
LRF37CS				AA
LRF37RD				AA
LRF38CS				AA
LRF38RD				AA
LRF39CS				AA
LRF39RD				AA
LRF40CS				AA
LRF40RD				AA
LRF41CS				AA
LRF41RD				AA
LRF42CS				AA
LRF42RD				AA
LRF43CS				AA
LRF43RD				AA
LRF44CS				AA
LRF44RD				AA
LRF45CS				AA
LRF45RD				AA
LRF46CS				AA
LRF46RD				AA
LRF47CS				AA
LRF47RD				AA
LRF48CS				AA
LRF48RD				AA
LRF49CS				AA
LRF49RD				AA
LRF50CS				AA
LRF50RD				AA
LRF51CS				AA
LRF51RD				AA
LRF52CS				AA
LRF52RD				AA
LRF53CS				AA
LRF53RD				AA
LRF54CS				AA
LRF54RD				AA
LRF55CS				AA
LRF55RD				AA
LRF56CS				AA
LRF56RD				AA
LRF57CS				AA
LRF57RD				AA
LRF58CS				AA
LRF58RD				AA
LRF59CS				AA
LRF59RD				AA
LRF60CS				AA
LRF60RD				AA
LRF61CS				AA
LRF61RD				AA
LRF62CS				AA
LRF62RD				AA
LRF63CS				AA
LRF63RD				AA
LRF64CS				AA
LRF64RD				AA
LRF65CS				AA
LRF65RD				AA
LRF66CS				AA
LRF66RD				AA
LRF67CS				AA
LRF67RD				AA
LRF68CS				AA
LRF68RD				AA
LRF69CS				AA
LRF69RD				AA
LRF70CS				AA
LRF70RD				AA
LRF71CS				AA
LRF71RD				AA
LRF72CS				AA
LRF72RD				AA
LRF73CS				AA
LRF73RD				AA
LRF74CS				AA
LRF74RD				AA
LRF75CS				AA
LRF75RD				AA
LRF76CS				AA
LRF76RD				AA
LRF77CS				AA
LRF77RD				AA
LRF78CS				AA
LRF78RD				AA
LRF79CS				AA
LRF79RD				AA
LRF80CS				AA
LRF80RD				AA
LRF81CS				AA
LRF81RD				AA
LRF82CS				AA
LRF82RD				AA
LRF83CS				AA
LRF83RD				AA
LRF84CS				AA
LRF84RD				AA
LRF85CS				AA
LRF85RD				AA
LRF86CS				AA
LRF86RD				AA
LRF87CS				AA
LRF87RD				AA
LRF88CS				AA
LRF88RD				AA
LRF89CS				AA
LRF89RD				AA
LRF90CS				AA
LRF90RD				AA
LRF91CS				AA
LRF91RD				AA
LRF92CS				AA
LRF92RD				AA
LRF93CS				AA
LRF93RD				AA
LRF94CS				AA
LRF94RD				AA
LRF95CS				AA
LRF95RD				AA
LRF96CS				AA
LRF96RD				AA
LRF97CS				AA
LRF97RD				AA
LRF98CS				AA
LRF98RD				AA
LRF99CS				AA
LRF99RD				AA
LRF100CS				AA
LRF100RD				AA

NOTE: HATCHED COMPONENTS ARE NOT LOADED FOR THIS ASSEMBLY. RAM BOARD = 08563-28032

AGILENT TECHNOLOGIES
RESTRICTED
THIS DOCUMENT CONTAINS CONFIDENTIAL, PROPRIETARY INFORMATION THAT IS AGILENT TECHNOLOGIES PROPERTY. DO NOT DISCLOSE TO OR DUPLICATE FOR OTHERS EXCEPT AS AUTHORIZED BY AGILENT TECHNOLOGIES.

DRAWN BY	DATE
ENGINEER/CHECKER	DATE
RELEASE TO PROD.	DATE
SUPERSEDES DWG.	

SCHEMATIC, PWA CONTROLLER FOR FADC	s4aby025 FILENAME
TITLE	SCALE NONE
	SHEET 4 OF 4
	08564-60025 PART NUMBER
	08564-60025-1

Component-Level Information Packet for 08563-60098

Interface



**HP Part No. 08563-90017
Printed in USA May 2000**

Notice. The information contained in this document is subject to change without notice.

Hewlett-Packard makes no warranty of any kind with regard to this material, including, but not limited to, the implied warranties of merchantability and fitness for a particular purpose. Hewlett-Packard shall not be liable for errors contained herein or for incidental or consequential damages in connection with the furnishing, performance, or use of this material.

**HP Part Number 08563-60098
Interface**

Reference Designator	HP Part Number	Qty	Description	Mfr Code	Mfr Part Number
C2	0180-3328	1	CAP-FXD 10uF +-20% 63 V AL-ELCTLT	06360	KMC63VB10RM6X11LL
C4	0180-3328	1	CAP-FXD 10uF +-20% 63 V AL-ELCTLT	06360	KMC63VB10RM6X11LL
C8	0180-3632	1	CAP-FXD 22uF +-20% 50 V AL-ELCTLT	06360	KMC50VB22RM6X11RPX
C9	0180-3632	1	CAP-FXD 22uF +-20% 50 V AL-ELCTLT	06360	KMC50VB22RM6X11RPX
C10	0180-3328	1	CAP-FXD 10uF +-20% 63 V AL-ELCTLT	06360	KMC63VB10RM6X11LL
C11	0180-4135	1	CAP-FXD 33uF +-10% 10 V TA	02010	TARW336K010
C101	0160-4814	1	CAP-FXD 150pF +-5% 100 V CER C0G	02010	SA101A151JAAH
C102	0160-4835	1	CAP-FXD 0.1uF +-10% 50 V CER X7R	02010	SA105C104KAAH
C103	0160-4832	1	CAP-FXD 0.01uF +-10% 100 V CER X7R	02010	SA101C103KAAH
C104	0160-4807	1	CAP-FXD 33pF +-5% 100 V CER C0G	02010	SA102A330JAAH
C105	0160-4796	1	CAP-FXD 3.9pF +-6.4% 100 V CER C0G	02010	SA101A3R9CAAH
C106	0160-4574	1	CAP-FXD 1000pF +-10% 100 V CER X7R	02010	SA101C102KAAH
C107	0160-4084	1	CAP-FXD 0.1uF +-20% 50 V CER X7R	02010	SR215C104MAAH
C108	0160-4835	1	CAP-FXD 0.1uF +-10% 50 V CER X7R	02010	SA105C104KAAH
C109	0160-4804	1	CAP-FXD 56pF +-5% 100 V CER C0G	02010	SA102A560JAAH
C110	0160-4084	1	CAP-FXD 0.1uF +-20% 50 V CER X7R	02010	SR215C104MAAH
C111	0160-3874	1	CAP-FXD 10pF +-5% 200 V CER C0G	06352	FD12C0G2D100D
C112	0160-4835	1	CAP-FXD 0.1uF +-10% 50 V CER X7R	02010	SA105C104KAAH
C113	0160-3879	1	CAP-FXD 0.01uF +-20% 100 V CER X7R	06352	FD12X7R2A103M
C114	0160-4574	1	CAP-FXD 1000pF +-10% 100 V CER X7R	02010	SA101C102KAAH
C115	0160-3879	1	CAP-FXD 0.01uF +-20% 100 V CER X7R	06352	FD12X7R2A103M
C116	0160-5099	1	CAP-FXD 3300pF +-5% 100 V CER C0G	02010	SA301A332JAAH
C117	0160-4040	1	CAP-FXD 1000pF +-5% 100 V CER C0G	06352	FD12C0G2A102J
C118	0160-5350	1	CAP-FXD 300pF +-5% 100 V CER C0G	02010	SA101A301JAAH
C119	0160-4804	1	CAP-FXD 56pF +-5% 100 V CER C0G	02010	SA102A560JAAH
C120	0160-4810	1	CAP-FXD 330pF +-5% 100 V CER C0G	02010	SA101A331JAAH
C121	0160-4832	1	CAP-FXD 0.01uF +-10% 100 V CER X7R	02010	SA101C103KAAH
C122	0160-4835	1	CAP-FXD 0.1uF +-10% 50 V CER X7R	02010	SA105C104KAAH
C123	0160-4832	1	CAP-FXD 0.01uF +-10% 100 V CER X7R	02010	SA101C103KAAH
C124	0160-4788	1	CAP-FXD 18pF +-5% 100 V CER C0G	02010	SA101A180JAA
C125	0160-4805	1	CAP-FXD 47pF +-5% 100 V CER C0G	02010	SA102A470JAAH
C126	0160-4574	1	CAP-FXD 1000pF +-10% 100 V CER X7R	02010	SA101C102KAAH
C127	0160-4835	1	CAP-FXD 0.1uF +-10% 50 V CER X7R	02010	SA105C104KAAH
C128	0160-5422	1	CAP-FXD 0.047uF +-20% 50 V CER X7R	02010	SA205C473MAAH
C129	0160-4835	1	CAP-FXD 0.1uF +-10% 50 V CER X7R	02010	SA105C104KAAH

**Indicates factory-selected value*

CLIP 08563-90017 1

Scans by ArtekMedia => 2009

**HP Part Number 08563-60098
Interface (continued)**

Reference Designator	HP Part Number	Qty	Description	Mfr Code	Mfr Part Number
C130	0160-4835	1	CAP-FXD 0.1uF +-10% 50 V CER X7R	02010	SA105C104KAAH
C131	0160-4832	1	CAP-FXD 0.01uF +-10% 100 V CER X7R	02010	SA101C103KAAH
C132	0160-4835	1	CAP-FXD 0.1uF +-10% 50 V CER X7R	02010	SA105C104KAAH
C133	0160-4833	1	CAP-FXD 0.022uF +-10% 100 V CER X7R	02010	SA201C223KAAH
C134	0160-4835	1	CAP-FXD 0.1uF +-10% 50 V CER X7R	02010	SA105C104KAAH
C135	0160-4574	1	CAP-FXD 1000pF +-10% 100 V CER X7R	02010	SA101C102KAAH
C136	0160-4835	1	CAP-FXD 0.1uF +-10% 50 V CER X7R	02010	SA105C104KAAH
C137	0160-4835	1	CAP-FXD 0.1uF +-10% 50 V CER X7R	02010	SA105C104KAAH
C138	0160-4789	1	CAP-FXD 15pF +-5% 100 V CER C0G	02010	SA101A150JAA
C139	0180-4129	1	CAP-FXD 1uF +-10% 35 V TA	12340	T322B105K035AS
C140	0180-4129	1	CAP-FXD 1uF +-10% 35 V TA	12340	T322B105K035AS
C141	0160-5422	1	CAP-FXD 0.047uF +-20% 50 V CER X7R	02010	SA205C473MAAH
C142	0160-5422	1	CAP-FXD 0.047uF +-20% 50 V CER X7R	02010	SA205C473MAAH
C143	0160-4574	1	CAP-FXD 1000pF +-10% 100 V CER X7R	02010	SA101C102KAAH
C144	0160-4574	1	CAP-FXD 1000pF +-10% 100 V CER X7R	02010	SA101C102KAAH
C145	0160-5091	1	CAP-FXD 2200pF +-2% 100 V POLYP-FL	07284	222G01PP481
C146	0160-4835	1	CAP-FXD 0.1uF +-10% 50 V CER X7R	02010	SA105C104KAAH
C147	0160-4835	1	CAP-FXD 0.1uF +-10% 50 V CER X7R	02010	SA105C104KAAH
C148	0160-4835	1	CAP-FXD 0.1uF +-10% 50 V CER X7R	02010	SA105C104KAAH
C149	0160-4574	1	CAP-FXD 1000pF +-10% 100 V CER X7R	02010	SA101C102KAAH
C150	0160-4574	1	CAP-FXD 1000pF +-10% 100 V CER X7R	02010	SA101C102KAAH
C151	0160-3875	1	CAP-FXD 22pF +-5% 200 V CER C0G	06352	FD12C0G2D220J
C152	0160-3874	1	CAP-FXD 10pF +-5% 200 V CER C0G	06352	FD12C0G2D100D
C153	0160-4387	1	CAP-FXD 47pF +-5% 200 V CER C0G	06352	FD12C0G2D470J
C154	0160-4801	1	CAP-FXD 100pF +-5% 100 V CER C0G	02010	SA102A101JAAH
C155	0160-4832	1	CAP-FXD 0.01uF +-10% 100 V CER X7R	02010	SA101C103KAAH
C156	0160-7897	1	CAP-FXD 0.39uF +-10% 50 V CER X7R	12340	C330C394K5R5CA
C201	0160-4835	1	CAP-FXD 0.1uF +-10% 50 V CER X7R	02010	SA105C104KAAH
C202	0160-4844	1	CAP-FXD 1uF +80% -20% 50 V CER Z5U	02010	SA305E105ZAA
C203	0160-4835	1	CAP-FXD 0.1uF +-10% 50 V CER X7R	02010	SA105C104KAAH
C204	0160-4832	1	CAP-FXD 0.01uF +-10% 100 V CER X7R	02010	SA101C103KAAH
C205	0160-4832	1	CAP-FXD 0.01uF +-10% 100 V CER X7R	02010	SA101C103KAAH
C206	0160-3879	1	CAP-FXD 0.01uF +-20% 100 V CER X7R	06352	FD12X7R2A103M
C207	0160-4040	1	CAP-FXD 1000pF +-5% 100 V CER C0G	06352	FD12C0G2A102J
C208	0160-4835	1	CAP-FXD 0.1uF +-10% 50 V CER X7R	02010	SA105C104KAAH

**HP Part Number 08563-60098
Interface (continued)**

Reference Designator	HP Part Number	Qty	Description	Mfr Code	Mfr Part Number
C209	0160-4832	1	CAP-FXD 0.01uF +-10% 100 V CER X7R	02010	SA101C103KAAH
C210	0160-4832	1	CAP-FXD 0.01uF +-10% 100 V CER X7R	02010	SA101C103KAAH
C211	0160-3879	1	CAP-FXD 0.01uF +-20% 100 V CER X7R	06352	FD12X7R2A103M
C212	0160-4832	1	CAP-FXD 0.01uF +-10% 100 V CER X7R	02010	SA101C103KAAH
C214	0160-4832	1	CAP-FXD 0.01uF +-10% 100 V CER X7R	02010	SA101C103KAAH
C215	0160-3874	1	CAP-FXD 10pF +-5% 200 V CER C0G	06352	FD12C0G2D100D
C216	0160-4822	1	CAP-FXD 1000pF +-5% 100 V CER C0G	02010	SA201A102JAAH
C217	0160-6717	1	CAP-FXD 1800pF +-2.5% 100 V POLYP-FL	06127	FKP2/1800PF/2.5%/100VDC
C218	0160-3874	1	CAP-FXD 10pF +-5% 200 V CER C0G	06352	FD12C0G2D100D
C219	0160-4835	1	CAP-FXD 0.1uF +-10% 50 V CER X7R	02010	SA105C104KAAH
C220	0160-4835	1	CAP-FXD 0.1uF +-10% 50 V CER X7R	02010	SA105C104KAAH
C221	0160-4835	1	CAP-FXD 0.1uF +-10% 50 V CER X7R	02010	SA105C104KAAH
C222	0160-4835	1	CAP-FXD 0.1uF +-10% 50 V CER X7R	02010	SA105C104KAAH
C223	0160-4832	1	CAP-FXD 0.01uF +-10% 100 V CER X7R	02010	SA101C103KAAH
C224	0160-4832	1	CAP-FXD 0.01uF +-10% 100 V CER X7R	02010	SA101C103KAAH
C225	0160-4832	1	CAP-FXD 0.01uF +-10% 100 V CER X7R	02010	SA101C103KAAH
C226	0160-4832	1	CAP-FXD 0.01uF +-10% 100 V CER X7R	02010	SA101C103KAAH
C227	0160-4832	1	CAP-FXD 0.01uF +-10% 100 V CER X7R	02010	SA101C103KAAH
C228	0160-4547	1	CAP-FXD 150pF +-5% 200 V CER C0G	06352	FD12C0G2D151J
C229	0160-4547	1	CAP-FXD 150pF +-5% 200 V CER C0G	06352	FD12C0G2D151J
C230	0160-5422	1	CAP-FXD 0.047uF +-20% 50 V CER X7R	02010	SA205C473MAAH
C301	0160-4835	1	CAP-FXD 0.1uF +-10% 50 V CER X7R	02010	SA105C104KAAH
C302	0160-4844	1	CAP-FXD 1uF +80% -20% 50 V CER Z5U	02010	SA305E105ZAA
C303	0160-4835	1	CAP-FXD 0.1uF +-10% 50 V CER X7R	02010	SA105C104KAAH
C304	0160-4832	1	CAP-FXD 0.01uF +-10% 100 V CER X7R	02010	SA101C103KAAH
C305	0160-4832	1	CAP-FXD 0.01uF +-10% 100 V CER X7R	02010	SA101C103KAAH
C306	0160-3879	1	CAP-FXD 0.01uF +-20% 100 V CER X7R	06352	FD12X7R2A103M
C307	0160-4040	1	CAP-FXD 1000pF +-5% 100 V CER C0G	06352	FD12C0G2A102J
C308	0160-4835	1	CAP-FXD 0.1uF +-10% 50 V CER X7R	02010	SA105C104KAAH
C309	0160-4832	1	CAP-FXD 0.01uF +-10% 100 V CER X7R	02010	SA101C103KAAH
C310	0160-4832	1	CAP-FXD 0.01uF +-10% 100 V CER X7R	02010	SA101C103KAAH
C311	0160-3879	1	CAP-FXD 0.01uF +-20% 100 V CER X7R	06352	FD12X7R2A103M
C312	0160-4832	1	CAP-FXD 0.01uF +-10% 100 V CER X7R	02010	SA101C103KAAH
C314	0160-4832	1	CAP-FXD 0.01uF +-10% 100 V CER X7R	02010	SA101C103KAAH
C315	0160-3874	1	CAP-FXD 10pF +-5% 200 V CER C0G	06352	FD12C0G2D100D

**Indicates factory-selected value*

CLIP 08563-90017 3

Scans by ArtekMedia => 2009

HP Part Number 08563-60098
Interface (continued)

Reference Designator	HP Part Number	Qty	Description	Mfr Code	Mfr Part Number
C316	0160-4822	1	CAP-FXD 1000pF +-5% 100 V CER C0G	02010	SA201A102JAAH
C317	0160-6717	1	CAP-FXD 1800pF +-2.5% 100 V POLYP-FL	06127	FKP2/1800PF/2.5%/100VDC
C318	0160-3874	1	CAP-FXD 10pF +-5% 200 V CER C0G	06352	FD12C0G2D100D
C319	0160-4835	1	CAP-FXD 0.1uF +-10% 50 V CER X7R	02010	SA105C104KAAH
C320	0160-4835	1	CAP-FXD 0.1uF +-10% 50 V CER X7R	02010	SA105C104KAAH
C321	0160-4791	1	CAP-FXD 10pF +-5% 100 V CER C0G	02010	SA101A100JAA
C322	0160-4832	1	CAP-FXD 0.01uF +-10% 100 V CER X7R	02010	SA101C103KAAH
C323	0160-4832	1	CAP-FXD 0.01uF +-10% 100 V CER X7R	02010	SA101C103KAAH
C328	0160-4547	1	CAP-FXD 150pF +-5% 200 V CER C0G	06352	FD12C0G2D151J
C329	0160-4547	1	CAP-FXD 150pF +-5% 200 V CER C0G	06352	FD12C0G2D151J
C330	0160-4835	1	CAP-FXD 0.1uF +-10% 50 V CER X7R	02010	SA105C104KAAH
C331	0160-4832	1	CAP-FXD 0.01uF +-10% 100 V CER X7R	02010	SA101C103KAAH
C400	0160-4832	1	CAP-FXD 0.01uF +-10% 100 V CER X7R	02010	SA101C103KAAH
C401	0160-4832	1	CAP-FXD 0.01uF +-10% 100 V CER X7R	02010	SA101C103KAAH
C402	0160-4832	1	CAP-FXD 0.01uF +-10% 100 V CER X7R	02010	SA101C103KAAH
C403	0160-4832	1	CAP-FXD 0.01uF +-10% 100 V CER X7R	02010	SA101C103KAAH
C404	0160-4832	1	CAP-FXD 0.01uF +-10% 100 V CER X7R	02010	SA101C103KAAH
C405	0160-4825	1	CAP-FXD 560pF +-5% 100 V CER C0G	02010	SA101A561JAAH
C406	0160-4832	1	CAP-FXD 0.01uF +-10% 100 V CER X7R	02010	SA101C103KAAH
C407	0160-4801	1	CAP-FXD 100pF +-5% 100 V CER C0G	02010	SA102A101JAAH
C408	0180-4129	1	CAP-FXD 1uF +-10% 35 V TA	12340	T322B105K035AS
C409	0160-4832	1	CAP-FXD 0.01uF +-10% 100 V CER X7R	02010	SA101C103KAAH
C410	0160-4810	1	CAP-FXD 330pF +-5% 100 V CER C0G	02010	SA101A331JAAH
C411	0160-4832	1	CAP-FXD 0.01uF +-10% 100 V CER X7R	02010	SA101C103KAAH
C500	0160-4832	1	CAP-FXD 0.01uF +-10% 100 V CER X7R	02010	SA101C103KAAH
C501	0160-4832	1	CAP-FXD 0.01uF +-10% 100 V CER X7R	02010	SA101C103KAAH
C502	0160-4832	1	CAP-FXD 0.01uF +-10% 100 V CER X7R	02010	SA101C103KAAH
C503	0160-4801	1	CAP-FXD 100pF +-5% 100 V CER C0G	02010	SA102A101JAAH
C504	0160-4832	1	CAP-FXD 0.01uF +-10% 100 V CER X7R	02010	SA101C103KAAH
C505	0160-4832	1	CAP-FXD 0.01uF +-10% 100 V CER X7R	02010	SA101C103KAAH
C506	0160-4832	1	CAP-FXD 0.01uF +-10% 100 V CER X7R	02010	SA101C103KAAH
C507	0160-4832	1	CAP-FXD 0.01uF +-10% 100 V CER X7R	02010	SA101C103KAAH
C508	0160-4832	1	CAP-FXD 0.01uF +-10% 100 V CER X7R	02010	SA101C103KAAH
C509	0160-4832	1	CAP-FXD 0.01uF +-10% 100 V CER X7R	02010	SA101C103KAAH
C510	0160-4832	1	CAP-FXD 0.01uF +-10% 100 V CER X7R	02010	SA101C103KAAH

**HP Part Number 08563-60098
Interface (continued)**

Reference Designator	HP Part Number	Qty	Description	Mfr Code	Mfr Part Number
C511	0160-4832	1	CAP-FXD 0.01uF +-10% 100 V CER X7R	02010	SA101C103KAAH
C512	0160-4832	1	CAP-FXD 0.01uF +-10% 100 V CER X7R	02010	SA101C103KAAH
C514	0160-4832	1	CAP-FXD 0.01uF +-10% 100 V CER X7R	02010	SA101C103KAAH
C515	0160-4832	1	CAP-FXD 0.01uF +-10% 100 V CER X7R	02010	SA101C103KAAH
C516	0160-4832	1	CAP-FXD 0.01uF +-10% 100 V CER X7R	02010	SA101C103KAAH
C517	0160-4832	1	CAP-FXD 0.01uF +-10% 100 V CER X7R	02010	SA101C103KAAH
C518	0160-4832	1	CAP-FXD 0.01uF +-10% 100 V CER X7R	02010	SA101C103KAAH
C519	0160-4832	1	CAP-FXD 0.01uF +-10% 100 V CER X7R	02010	SA101C103KAAH
C520	0160-4832	1	CAP-FXD 0.01uF +-10% 100 V CER X7R	02010	SA101C103KAAH
C521	0160-4832	1	CAP-FXD 0.01uF +-10% 100 V CER X7R	02010	SA101C103KAAH
C522	0160-4832	1	CAP-FXD 0.01uF +-10% 100 V CER X7R	02010	SA101C103KAAH
C523	0160-4832	1	CAP-FXD 0.01uF +-10% 100 V CER X7R	02010	SA101C103KAAH
C524	0160-4832	1	CAP-FXD 0.01uF +-10% 100 V CER X7R	02010	SA101C103KAAH
C600	0160-4832	1	CAP-FXD 0.01uF +-10% 100 V CER X7R	02010	SA101C103KAAH
C601	0160-4832	1	CAP-FXD 0.01uF +-10% 100 V CER X7R	02010	SA101C103KAAH
C602	0160-4832	1	CAP-FXD 0.01uF +-10% 100 V CER X7R	02010	SA101C103KAAH
C603	0160-4832	1	CAP-FXD 0.01uF +-10% 100 V CER X7R	02010	SA101C103KAAH
C604	0160-4832	1	CAP-FXD 0.01uF +-10% 100 V CER X7R	02010	SA101C103KAAH
C605	0160-4832	1	CAP-FXD 0.01uF +-10% 100 V CER X7R	02010	SA101C103KAAH
C606	0160-4832	1	CAP-FXD 0.01uF +-10% 100 V CER X7R	02010	SA101C103KAAH
C607	0160-4832	1	CAP-FXD 0.01uF +-10% 100 V CER X7R	02010	SA101C103KAAH
C608	0160-4835	1	CAP-FXD 0.1uF +-10% 50 V CER X7R	02010	SA105C104KAAH
C609	0160-4835	1	CAP-FXD 0.1uF +-10% 50 V CER X7R	02010	SA105C104KAAH
C610	0160-4441	1	CAP-FXD 0.47uF +-10% 50 V CER X7R	02010	SR305C474KAAH
C611	0160-4441	1	CAP-FXD 0.47uF +-10% 50 V CER X7R	02010	SR305C474KAAH
CR101	1901-1098	1	DIODE-SWITCHING 1N4150 50V 200MA 4NS	00746	1901-1098
CR102	1901-1279	1	DIODE-SCHOTTKY 60V 1NS DO-34	02910	BAT83
CR106	1901-1098	1	DIODE-SWITCHING 1N4150 50V 200MA 4NS	00746	1901-1098
CR107	1901-1098	1	DIODE-SWITCHING 1N4150 50V 200MA 4NS	00746	1901-1098
CR108	1901-0539	1	DIODE-SCHOTTKY SM SIG	01542	5082-2810
CR109	1901-0539	1	DIODE-SCHOTTKY SM SIG	01542	5082-2810
CR110	1901-1279	1	DIODE-SCHOTTKY 60V 1NS DO-34	02910	BAT83
CR111	1901-0539	1	DIODE-SCHOTTKY SM SIG	01542	5082-2810
CR112	1902-0952	1	DIODE-ZNR 5.6V 5% DO-35 PD=.4W TC=+.046%	02688	1N752AD035
CR113	1901-1279	1	DIODE-SCHOTTKY 60V 1NS DO-34	02910	BAT83

**Indicates factory-selected value*

CLIP 08563-90017 5

Scans by ArtekMedia => 2009

HP Part Number 08563-60098
Interface (continued)

Reference Designator	HP Part Number	Qty	Description	Mfr Code	Mfr Part Number
CR114	1901-0539	1	DIODE-SCHOTTKY SM SIG	01542	5082-2810
CR115	1902-0951	1	DIODE-ZNR 5.1V 5% DO-35 PD=.4W TC=+.035%	36633	SZ30035-9RL
CR116	1901-1098	1	DIODE-SWITCHING 1N4150 50V 200MA 4NS	00746	1901-1098
CR117	1902-3188	1	DIODE-ZNR 12.7V 2% DO-35 PD=.4W	02688	1N5243C
CR118	1901-0535	1	DIODE-SCHOTTKY SM SIG	12395	A2X356
CR119	1901-0050	1	DIODE-SWITCHING 80V 200MA 2NS DO-35	02910	OF678
CR201	1901-1098	1	DIODE-SWITCHING 1N4150 50V 200MA 4NS	00746	1901-1098
CR202	1901-1279	1	DIODE-SCHOTTKY 60V 1NS DO-34	02910	BAT83
CR203	1901-0539	1	DIODE-SCHOTTKY SM SIG	01542	5082-2810
CR204	1901-0539	1	DIODE-SCHOTTKY SM SIG	01542	5082-2810
CR206	1901-1098	1	DIODE-SWITCHING 1N4150 50V 200MA 4NS	00746	1901-1098
CR207	1901-1098	1	DIODE-SWITCHING 1N4150 50V 200MA 4NS	00746	1901-1098
CR208	1902-0951	1	DIODE-ZNR 5.1V 5% DO-35 PD=.4W TC=+.035%	36633	SZ30035-9RL
CR209	1901-1098	1	DIODE-SWITCHING 1N4150 50V 200MA 4NS	00746	1901-1098
CR301	1901-1098	1	DIODE-SWITCHING 1N4150 50V 200MA 4NS	00746	1901-1098
CR302	1901-1279	1	DIODE-SCHOTTKY 60V 1NS DO-34	02910	BAT83
CR303	1901-0539	1	DIODE-SCHOTTKY SM SIG	01542	5082-2810
CR304	1901-0539	1	DIODE-SCHOTTKY SM SIG	01542	5082-2810
CR306	1901-1098	1	DIODE-SWITCHING 1N4150 50V 200MA 4NS	00746	1901-1098
CR307	1901-1098	1	DIODE-SWITCHING 1N4150 50V 200MA 4NS	00746	1901-1098
CR308	1901-1098	1	DIODE-SWITCHING 1N4150 50V 200MA 4NS	00746	1901-1098
CR310	1901-1344	1	DIODE-SWITCHING 125V 225MA DO-34	02910	BAS45A
CR311	1902-0952	1	DIODE-ZNR 5.6V 5% DO-35 PD=.4W TC=+.046%	02688	1N752AD035
CR312	1902-0944	1	DIODE-ZNR 2.7V 5% DO-35 PD=.4W TC=-.044%	36633	SZ30035-2RL
CR313	1901-1098	1	DIODE-SWITCHING 1N4150 50V 200MA 4NS	00746	1901-1098
CR500	1901-0539	1	DIODE-SCHOTTKY SM SIG	01542	5082-2810
CR501	1901-0539	1	DIODE-SCHOTTKY SM SIG	01542	5082-2810
CR600	1901-1098	1	DIODE-SWITCHING 1N4150 50V 200MA 4NS	00746	1901-1098
CR601	1901-1098	1	DIODE-SWITCHING 1N4150 50V 200MA 4NS	00746	1901-1098
CR602	1901-1098	1	DIODE-SWITCHING 1N4150 50V 200MA 4NS	00746	1901-1098
CR603	1901-1098	1	DIODE-SWITCHING 1N4150 50V 200MA 4NS	00746	1901-1098
CR604	1901-1279	1	DIODE-SCHOTTKY 60V 1NS DO-34	02910	BAT83
E100	9170-1366	1	CORE-SHIELDING BEAD	03827	2743001112
E200	9170-1380	1	CORE-SHIELDING BEAD	12580	SAHP763
E201	9170-1366	1	CORE-SHIELDING BEAD	03827	2743001112

**HP Part Number 08563-60098
Interface (continued)**

Reference Designator	HP Part Number	Qty	Description	Mfr Code	Mfr Part Number
E300	9170-1380	1	CORE-SHIELDING BEAD	12580	SAHP763
E301	9170-1366	1	CORE-SHIELDING BEAD	03827	2743001112
J1	1252-1064	1	CONN-POST TYPE .100-PIN-SPCG-MTG-END	01380	1-746878-0
J2	1252-1064	1	CONN-POST TYPE .100-PIN-SPCG-MTG-END	01380	1-746878-0
J101	1250-0543	1	CONNECTOR-RF SMB MALE PC-W-STDFS 50-OHM	07247	59S213-40TD3
J102	1250-0543	1	CONNECTOR-RF SMB MALE PC-W-STDFS 50-OHM	07247	59S213-40TD3
J103	1250-0257	1	CONNECTOR-RF SMB MALE PC-W-STDFS 50-OHM	01380	413990-3
J105	1252-1200	1	CONN-POST TYPE .100-PIN-SPCG-MTG-END	13369	68449-079
J400	1252-1200	1	CONN-POST TYPE .100-PIN-SPCG-MTG-END	13369	68449-079
J401	5061-9029	1	CA 40C 40F-40M	28480	5061-9029
J600	1250-0543	1	CONNECTOR-RF SMB MALE PC-W-STDFS 50-OHM	07247	59S213-40TD3
J601	1250-0543	1	CONNECTOR-RF SMB MALE PC-W-STDFS 50-OHM	07247	59S213-40TD3
J602	1252-1065	1	CONN-POST TYPE .100-PIN-SPCG-MTG-END	07797	1252-1065
L1	9140-0738	1	INDUCTOR 100uH .6W-INX.7LG-IN	01869	52405
L2	9140-0738	1	INDUCTOR 100uH .6W-INX.7LG-IN	01869	52405
L3	9140-0737	1	INDUCTOR 10uH .7D-INX.6LG-IN	01869	53156
L4	9140-0736	1	INDUCTOR 200uH .3W-INX.4LG-IN	05524	ITP-1031-32
L5	9140-0210	1	INDUCTOR RF-CH-MLD 100uH +-5%	05524	IM-4 100UH 5%
L6	9100-3562	1	INDUCTOR RF-CH-MLD 4.7uH +-5%	05524	IM-4 4.7UH 5%
L7	9100-2257	1	INDUCTOR RF-CH-MLD 820nH +-10%	05524	IM-2 .82UH 10%
MP6	1200-0172	1	INSULATOR-XSTR DAP-GL	14283	10042-DAP
MP7	1200-0172	1	INSULATOR-XSTR DAP-GL	14283	10042-DAP
MP8	1200-0172	1	INSULATOR-XSTR DAP-GL	14283	10042-DAP
MP9	1200-0172	1	INSULATOR-XSTR DAP-GL	14283	10042-DAP
MP10	1200-0172	1	INSULATOR-XSTR DAP-GL	14283	10042-DAP
MP11	1200-0172	1	INSULATOR-XSTR DAP-GL	14283	10042-DAP
MP12	1200-0172	1	INSULATOR-XSTR DAP-GL	14283	10042-DAP
MP13	1200-0172	1	INSULATOR-XSTR DAP-GL	14283	10042-DAP
MP14	1200-0172	1	INSULATOR-XSTR DAP-GL	14283	10042-DAP
MP15	1200-0172	1	INSULATOR-XSTR DAP-GL	14283	10042-DAP
MP16	1200-0172	1	INSULATOR-XSTR DAP-GL	14283	10042-DAP
MP17	1200-0172	1	INSULATOR-XSTR DAP-GL	14283	10042-DAP
MP18	1200-0172	1	INSULATOR-XSTR DAP-GL	14283	10042-DAP
MP19	1200-0172	1	INSULATOR-XSTR DAP-GL	14283	10042-DAP
MP20	1200-0172	1	INSULATOR-XSTR DAP-GL	14283	10042-DAP

**Indicates factory-selected value*

CLIP 08563-90017 7

Scans by ArtekMedia => 2009

HP Part Number 08563-60098
Interface (continued)

Reference Designator	HP Part Number	Qty	Description	Mfr Code	Mfr Part Number
MP21	1200-0172	1	INSULATOR-XSTR DAP-GL	14283	10042-DAP
MP22	1200-0172	1	INSULATOR-XSTR DAP-GL	14283	10042-DAP
MP23	1200-0172	1	INSULATOR-XSTR DAP-GL	14283	10042-DAP
MP24	1200-0172	1	INSULATOR-XSTR DAP-GL	14283	10042-DAP
MP25	1200-0172	1	INSULATOR-XSTR DAP-GL	14283	10042-DAP
MP26	1200-0172	1	INSULATOR-XSTR DAP-GL	14283	10042-DAP
MP27	1200-0172	1	INSULATOR-XSTR DAP-GL	14283	10042-DAP
MP28	1200-0172	1	INSULATOR-XSTR DAP-GL	14283	10042-DAP
MP33	1400-0866	1	CLAMP-CABLE .187-DIA .25-WD NYL	07158	C61332AA
MP34	1400-0866	1	CLAMP-CABLE .187-DIA .25-WD NYL	07158	C61332AA
MP35	5021-6723	1	SHLD-TOP PK DET	28480	5021-6723
MP36	5021-6724	1	SHLD-BOT PK DET	28480	5021-6724
Q101	1855-0414	1	TRANSISTOR J-FET 2N4393 N-CHAN D-MODE	02883	2N4393
Q201	1855-0414	1	TRANSISTOR J-FET 2N4393 N-CHAN D-MODE	02883	2N4393
Q202	1855-0386	1	TRANSISTOR J-FET 2N4392 N-CHAN D-MODE	02883	2N4392
Q203	LTB1853-0451KI	1		28480	LTB1853-0451KI
Q204	1855-0414	1	TRANSISTOR J-FET 2N4393 N-CHAN D-MODE	02883	2N4393
Q205	1855-0386	1	TRANSISTOR J-FET 2N4392 N-CHAN D-MODE	02883	2N4392
Q206	1855-0507	1	TRANSISTOR-JFET DUAL 2N5912 N-CHAN	03285	2N5912
Q207	1855-0420	1	TRANSISTOR J-FET 2N4391 N-CHAN D-MODE	02883	2N4391
Q208	1853-0771	1	TRANSISTOR PNP 2N5771 SI TO-92 PD=625MW	02237	2N5771
Q209	1854-1225	1	TRANSISTOR NPN SI PD=2.5W	02688	MRF581A
Q210	1853-0771	1	TRANSISTOR PNP 2N5771 SI TO-92 PD=625MW	02237	2N5771
Q211	BB1854-1142KI	1		28480	BB1854-1142KI
Q212	BB1854-1142KI	1		28480	BB1854-1142KI
Q213	1854-0215	1	TRANSISTOR NPN SI TO-92 PD=625MW	00746	2N3904
Q215	BB1853-0553KI	1	XSTR PNP SI	28480	BB1853-0553KI
Q216	LTB1853-0451KI	1		28480	LTB1853-0451KI
Q217	1855-0420	1	TRANSISTOR J-FET 2N4391 N-CHAN D-MODE	02883	2N4391
Q218	1855-0420	1	TRANSISTOR J-FET 2N4391 N-CHAN D-MODE	02883	2N4391
Q220	1855-0420	1	TRANSISTOR J-FET 2N4391 N-CHAN D-MODE	02883	2N4391
Q221	1855-0420	1	TRANSISTOR J-FET 2N4391 N-CHAN D-MODE	02883	2N4391
Q222	1855-0305	1	TRANSISTOR J-FET 2N4117A N-CHAN D-MODE	02883	2N4117A
Q301	1855-0414	1	TRANSISTOR J-FET 2N4393 N-CHAN D-MODE	02883	2N4393
Q302	1855-0386	1	TRANSISTOR J-FET 2N4392 N-CHAN D-MODE	02883	2N4392

**HP Part Number 08563-60098
Interface (continued)**

Reference Designator	HP Part Number	Qty	Description	Mfr Code	Mfr Part Number
Q303	LTB1853-0451KI	1		28480	LTB1853-0451KI
Q304	1855-0414	1	TRANSISTOR J-FET 2N4393 N-CHAN D-MODE	02883	2N4393
Q305	1855-0386	1	TRANSISTOR J-FET 2N4392 N-CHAN D-MODE	02883	2N4392
Q306	1855-0507	1	TRANSISTOR-JFET DUAL 2N5912 N-CHAN	03285	2N5912
Q307	1855-0420	1	TRANSISTOR J-FET 2N4391 N-CHAN D-MODE	02883	2N4391
Q308	1854-1225	1	TRANSISTOR NPN SI PD=2.5W	02688	MRF581A
Q309	1853-0771	1	TRANSISTOR PNP 2N5771 SI TO-92 PD=625MW	02237	2N5771
Q310	1853-0771	1	TRANSISTOR PNP 2N5771 SI TO-92 PD=625MW	02237	2N5771
Q311	BB1854-1142KI	1		28480	BB1854-1142KI
Q312	BB1854-1142KI	1		28480	BB1854-1142KI
Q313	LTB1853-0451KI	1		28480	LTB1853-0451KI
Q315	BB1853-0553KI	1	XSTR PNP SI	28480	BB1853-0553KI
Q316	LTB1853-0451KI	1		28480	LTB1853-0451KI
Q317	1855-0507	1	TRANSISTOR-JFET DUAL 2N5912 N-CHAN	03285	2N5912
Q318	1854-0215	1	TRANSISTOR NPN SI TO-92 PD=625MW	00746	2N3904
Q319	1854-0215	1	TRANSISTOR NPN SI TO-92 PD=625MW	00746	2N3904
Q320	1855-0687	1	TRANSISTOR J-FET N-CHAN D-MODE TO-92 SI	02237	5192/X51368A
Q321	1854-1028	1	TRANSISTOR NPN SI TO-92 PD=625MW	02237	2N3904
Q601	1855-0555	1	TRANSISTOR MOSFET N-CHAN E-MODE SI	02883	VN0300L
R100	0698-7212	1	RESISTOR 100 +-1% .05W TF TC=0+-100	06424	NK3H.05W1%+/-100PPM100R0
R101	0698-6317	1	RESISTOR 500 +-0.1% .125W TF TC=0+-25	05524	CMF-555000BT-9
R102	0757-0290	1	RESISTOR 6.19K +-1% .125W TF TC=0+-100	05524	CMF-556191FT-1
R103	0698-7260	1	RESISTOR 10K +-1% .05W TF TC=0+-100	06424	NK3H.05W1%+/-100PPM1002
R104	0698-7238	1	RESISTOR 1.21K +-1% .05W TF TC=0+-100	06424	NK3H.05W1%+/-100PPM1211
R105	0698-3153	1	RESISTOR 3.83K +-1% .125W TF TC=0+-100	05524	CMF-553831FT-1
R106	0698-7210	1	RESISTOR 82.5 +-1% .05W TF TC=0+-100	06424	NK3H.05W1%+/-100PPM82R5
R107	0698-7264	1	RESISTOR 14.7K +-1% .05W TF TC=0+-100	05524	CMF-501472FT-1
R108	0698-7211	1	RESISTOR 90.9 +-1% .05W TF TC=0+-100	05524	CMF-5090R9FT-1
R109	0698-7236	1	RESISTOR 1K +-1% .05W TF TC=0+-100	06424	NK3H.05W1%+/-100PPM1001
R110	0698-7236	1	RESISTOR 1K +-1% .05W TF TC=0+-100	06424	NK3H.05W1%+/-100PPM1001
R111	0698-6364	1	RESISTOR 50 +-0.1% .125W TF TC=0+-25	05524	CMF-5550R0BT-9
R112	0698-7284	1	RESISTOR 100K +-1% .05W TF TC=0+-100	05524	CMF-501003FT-1
R113	0757-1094	1	RESISTOR 1.47K +-1% .125W TF TC=0+-100	05524	CMF-551471FT-1
R114	0698-6355	1	RESISTOR 400 +-0.1% .125W TF TC=0+-25	05524	CMF-554000BT-9
R115	0698-6320	1	RESISTOR 5K +-0.1% .125W TF TC=0+-25	05524	CMF-555001BT-9

*Indicates factory-selected value

CLIP 08563-90017 9

**HP Part Number 08563-60098
Interface (continued)**

Reference Designator	HP Part Number	Qty	Description	Mfr Code	Mfr Part Number
R116	0698-6360	1	RESISTOR 10K +-0.1% .125W TF TC=0+-25	05524	CMF-551002BT-9
R117	0698-6619	1	RESISTOR 15K +-0.1% .125W TF TC=0+-25	05524	CMF-551502BT-9
R118	0757-0438	1	RESISTOR 5.11K +-1% .125W TF TC=0+-100	06424	NK4H.125W1%+/-100PPM5111
R119	0698-6348	1	RESISTOR 3K +-0.1% .125W TF TC=0+-25	05524	CMF-553001BT-9
R120	0698-0084	1	RESISTOR 2.15K +-1% .125W TF TC=0+-100	06424	NK4H.125W1%+/-100PPM2151
R121	0698-3153	1	RESISTOR 3.83K +-1% .125W TF TC=0+-100	05524	CMF-553831FT-1
R122	0698-7214	1	RESISTOR 121 +-1% .05W TF TC=0+-100	06424	NK3H.05W1%+/-100PPM121R0
R123	0698-7255	1	RESISTOR 6.19K +-1% .05W TF TC=0+-100	05524	CMF-506191FT-1
R124	0698-7260	1	RESISTOR 10K +-1% .05W TF TC=0+-100	06424	NK3H.05W1%+/-100PPM1002
R125	0757-0274	1	RESISTOR 1.21K +-1% .125W TF TC=0+-100	06424	NK4H.125W1%+/-100PPM1211
R126	0698-3156	1	RESISTOR 14.7K +-1% .125W TF TC=0+-100	05524	CMF-551472FT-1
R127	0699-0078	1	RESISTOR 2.1K +-0.1% .1W TF TC=0+-10	05524	PTF-562K1BT-13
R128	0698-6317	1	RESISTOR 500 +-0.1% .125W TF TC=0+-25	05524	CMF-555000BT-9
R129	0757-0424	1	RESISTOR 1.1K +-1% .125W TF TC=0+-100	06424	NK4H.125W1%+/-100PPM1101
R130	0698-3159	1	RESISTOR 26.1K +-1% .25W TF TC=0+-100	05524	CMF-552612FT-1
R131	0698-0085	1	RESISTOR 2.61K +-1% .25W TF TC=0+-100	05524	CMF-552611FT-1
R132	0698-7212	1	RESISTOR 100 +-1% .05W TF TC=0+-100	06424	NK3H.05W1%+/-100PPM100R0
R133	0698-7284	1	RESISTOR 100K +-1% .05W TF TC=0+-100	05524	CMF-501003FT-1
R134	0698-7288	1	RESISTOR 147K +-1% .05W TF TC=0+-100	06424	NK3H.05W1%+/-100PPM1473
R135	0698-7253	1	RESISTOR 5.11K +-1% .05W TF TC=0+-100	06424	NK3H.05W1%+/-100PPM5111
R136	0698-7229	1	RESISTOR 511 +-1% .05W TF TC=0+-100	06424	NK3H.05W1%+/-100PPM511R0
R137	0698-7253	1	RESISTOR 5.11K +-1% .05W TF TC=0+-100	06424	NK3H.05W1%+/-100PPM5111
R138	0698-7253	1	RESISTOR 5.11K +-1% .05W TF TC=0+-100	06424	NK3H.05W1%+/-100PPM5111
R139	0698-7253	1	RESISTOR 5.11K +-1% .05W TF TC=0+-100	06424	NK3H.05W1%+/-100PPM5111
R140	0698-7253	1	RESISTOR 5.11K +-1% .05W TF TC=0+-100	06424	NK3H.05W1%+/-100PPM5111
R141	0757-0274	1	RESISTOR 1.21K +-1% .125W TF TC=0+-100	06424	NK4H.125W1%+/-100PPM1211
R142	0757-0442	1	RESISTOR 10K +-1% .125W TF TC=0+-100	05524	CMF-551002FT-1
R143	0698-3157	1	RESISTOR 19.6K +-1% .125W TF TC=0+-100	06424	NK4H.125W1%+/-100PPM1962
R144	0698-7203	1	RESISTOR 42.2 +-1% .05W TF TC=0+-100	05524	CMF-5042R2FT-1
R145	0757-0438	1	RESISTOR 5.11K +-1% .125W TF TC=0+-100	06424	NK4H.125W1%+/-100PPM5111
R146	0698-6364	1	RESISTOR 50 +-0.1% .125W TF TC=0+-25	05524	CMF-5550R0BT-9
R147	0698-6317	1	RESISTOR 500 +-0.1% .125W TF TC=0+-25	05524	CMF-555000BT-9
R148	0698-6320	1	RESISTOR 5K +-0.1% .125W TF TC=0+-25	05524	CMF-555001BT-9
R149	0757-0280	1	RESISTOR 1K +-1% .125W TF TC=0+-100	05524	CMF-551001FT-1
R150	0698-6364	1	RESISTOR 50 +-0.1% .125W TF TC=0+-25	05524	CMF-5550R0BT-9

**HP Part Number 08563-60098
Interface (continued)**

Reference Designator	HP Part Number	Qty	Description	Mfr Code	Mfr Part Number
R151	0757-0465	1	RESISTOR 100K +-1% .125W TF TC=0+-100	05524	CMF-551003FT-1
R152	0757-1094	1	RESISTOR 1.47K +-1% .125W TF TC=0+-100	05524	CMF-551471FT-1
R153	0757-0438	1	RESISTOR 5.11K +-1% .125W TF TC=0+-100	06424	NK4H.125W1%+/-100PPM5111
R154	0757-0279	1	RESISTOR 3.16K +-1% .125W TF TC=0+-100	05524	CMF-553161FT-1
R155	0757-0417	1	RESISTOR 562 +-1% .125W TF TC=0+-100	05524	CMF-555620FT-1
R156	0757-0279	1	RESISTOR 3.16K +-1% .125W TF TC=0+-100	05524	CMF-553161FT-1
R157	0757-0279	1	RESISTOR 3.16K +-1% .125W TF TC=0+-100	05524	CMF-553161FT-1
R158	0698-3136	1	RESISTOR 17.8K +-1% .125W TF TC=0+-100	05524	CMF-551782FT-1
R159	0698-3136	1	RESISTOR 17.8K +-1% .125W TF TC=0+-100	05524	CMF-551782FT-1
R160	0757-0280	1	RESISTOR 1K +-1% .125W TF TC=0+-100	05524	CMF-551001FT-1
R161	0698-3136	1	RESISTOR 17.8K +-1% .125W TF TC=0+-100	05524	CMF-551782FT-1
R162	0698-3136	1	RESISTOR 17.8K +-1% .125W TF TC=0+-100	05524	CMF-551782FT-1
R163	0757-0280	1	RESISTOR 1K +-1% .125W TF TC=0+-100	05524	CMF-551001FT-1
R164	0698-3136	1	RESISTOR 17.8K +-1% .125W TF TC=0+-100	05524	CMF-551782FT-1
R165	0698-3136	1	RESISTOR 17.8K +-1% .125W TF TC=0+-100	05524	CMF-551782FT-1
R166	0757-0280	1	RESISTOR 1K +-1% .125W TF TC=0+-100	05524	CMF-551001FT-1
R167	0698-8167	1	RESISTOR 18K +-0.1% .125W TF TC=0+-25	05524	CMF-551802BT-9
R168	0698-8167	1	RESISTOR 18K +-0.1% .125W TF TC=0+-25	05524	CMF-551802BT-9
R169	0698-6362	1	RESISTOR 1K +-0.1% .125W TF TC=0+-25	05524	CMF-551001BT-9
R170	0699-1866	1	RESISTOR 2.7K +-0.1% .1W TF TC=0+-10	05524	PTF-562K7BT-13
R171	0698-6346	1	RESISTOR 300 +-0.1% .125W TF TC=0+-25	05524	CMF-553000BT-9
R172	0698-6322	1	RESISTOR 4K +-0.1% .125W TF TC=0+-25	05524	CMF-554001BT-9
R173	0698-6362	1	RESISTOR 1K +-0.1% .125W TF TC=0+-25	05524	CMF-551001BT-9
R174	0698-6320	1	RESISTOR 5K +-0.1% .125W TF TC=0+-25	05524	CMF-555001BT-9
R175	0698-6323	1	RESISTOR 100 +-0.1% .125W TF TC=0+-25	05524	CMF-551000BT-9
R176	0698-6362	1	RESISTOR 1K +-0.1% .125W TF TC=0+-25	05524	CMF-551001BT-9
R177	0698-6624	1	RESISTOR 2K +-0.1% .125W TF TC=0+-25	05524	CMF-552001BT-9
R178	0698-6360	1	RESISTOR 10K +-0.1% .125W TF TC=0+-25	05524	CMF-551002BT-9
R179	0698-8756	1	RESISTOR 166.7 +-0.1% .125W TF TC=0+-25	05524	CMF-55166R7BT-9
R180	0757-0465	1	RESISTOR 100K +-1% .125W TF TC=0+-100	05524	CMF-551003FT-1
R181	0698-6362	1	RESISTOR 1K +-0.1% .125W TF TC=0+-25	05524	CMF-551001BT-9
R182	0698-6347	1	RESISTOR 1.5K +-0.1% .125W TF TC=0+-25	05524	CMF-551501BT-9
R183	0698-8756	1	RESISTOR 166.7 +-0.1% .125W TF TC=0+-25	05524	CMF-55166R7BT-9
R184	0698-7284	1	RESISTOR 100K +-1% .05W TF TC=0+-100	05524	CMF-501003FT-1
R185	0698-7284	1	RESISTOR 100K +-1% .05W TF TC=0+-100	05524	CMF-501003FT-1

**Indicates factory-selected value*

CLIP 08563-90017 11

Scans by ArtekMedia => 2009

HP Part Number 08563-60098
Interface (continued)

Reference Designator	HP Part Number	Qty	Description	Mfr Code	Mfr Part Number
R186	0698-7234	1	RESISTOR 825 +-1% .05W TF TC=0+-100	06424	NK3H.05W1%+/-100PPM825R0
R187	0757-0442	1	RESISTOR 10K +-1% .125W TF TC=0+-100	05524	CMF-551002FT-1
R188	0757-0458	1	RESISTOR 51.1K +-1% .125W TF TC=0+-100	06424	NK4H.125W1%+/-100PPM5112
R189	0757-0420	1	RESISTOR 750 +-1% .125W TF TC=0+-100	05524	CMF-557500FT-1
R190	0698-6353	1	RESISTOR 50K +-0.1% .125W TF TC=0+-25	05524	CMF-555002BT-9
R191	0698-6353	1	RESISTOR 50K +-0.1% .125W TF TC=0+-25	05524	CMF-555002BT-9
R192	0757-0434	1	RESISTOR 3.65K +-1% .125W TF TC=0+-100	05524	CMF-553651FT-1
R194	0757-0274	1	RESISTOR 1.21K +-1% .125W TF TC=0+-100	06424	NK4H.125W1%+/-100PPM1211
R195	0699-2022	1	RESISTOR 681K +-1% .05W TF TC=0+-100	33830	5063JD681K0F
R196	0698-7212	1	RESISTOR 100 +-1% .05W TF TC=0+-100	06424	NK3H.05W1%+/-100PPM100R0
R197	0698-7212	1	RESISTOR 100 +-1% .05W TF TC=0+-100	06424	NK3H.05W1%+/-100PPM100R0
R198	0757-0274	1	RESISTOR 1.21K +-1% .125W TF TC=0+-100	06424	NK4H.125W1%+/-100PPM1211
R199	0698-3132	1	RESISTOR 261 +-1% .125W TF TC=0+-100	06424	NK4H.125W1%+/-100PPM261R0
R201	0698-7248	1	RESISTOR 3.16K +-1% .05W TF TC=0+-100	05524	CMF-503161FT-1
R202	0698-7848	1	RESISTOR 1.25K +-0.1% .125W TF TC=0+-25	05524	CMF-551251BT-9
R203	0698-7229	1	RESISTOR 511 +-1% .05W TF TC=0+-100	06424	NK3H.05W1%+/-100PPM511R0
R204	0757-0401	1	RESISTOR 100 +-1% .125W TF TC=0+-100	05524	CMF-551000FT-1
R205	0698-7229	1	RESISTOR 511 +-1% .05W TF TC=0+-100	06424	NK3H.05W1%+/-100PPM511R0
R206	0757-0442	1	RESISTOR 10K +-1% .125W TF TC=0+-100	05524	CMF-551002FT-1
R207	0698-7212	1	RESISTOR 100 +-1% .05W TF TC=0+-100	06424	NK3H.05W1%+/-100PPM100R0
R208	0698-3150	1	RESISTOR 2.37K +-1% .125W TF TC=0+-100	06424	NK4H.125W1%+/-100PPM2371
R209	0698-3151	1	RESISTOR 2.87K +-1% .125W TF TC=0+-100	05524	CMF-552871FT-1
R210	0698-7212	1	RESISTOR 100 +-1% .05W TF TC=0+-100	06424	NK3H.05W1%+/-100PPM100R0
R212	0757-0442	1	RESISTOR 10K +-1% .125W TF TC=0+-100	05524	CMF-551002FT-1
R213	0698-3132	1	RESISTOR 261 +-1% .125W TF TC=0+-100	06424	NK4H.125W1%+/-100PPM261R0
R214	0757-0394	1	RESISTOR 51.1 +-1% .125W TF TC=0+-100	05524	CMF-5551R1FT-1
R215	0698-7212	1	RESISTOR 100 +-1% .05W TF TC=0+-100	06424	NK3H.05W1%+/-100PPM100R0
R216	0698-3440	1	RESISTOR 196 +-1% .125W TF TC=0+-100	05524	CMF-551960FT-1
R217	0698-7188	1	RESISTOR 10 +-1% .05W TF TC=0+-100	06424	NK3H.05W1%+/-100PPM10R0
R218	0698-7188	1	RESISTOR 10 +-1% .05W TF TC=0+-100	06424	NK3H.05W1%+/-100PPM10R0
R219	0757-0401	1	RESISTOR 100 +-1% .125W TF TC=0+-100	05524	CMF-551000FT-1
R220	0698-7188	1	RESISTOR 10 +-1% .05W TF TC=0+-100	06424	NK3H.05W1%+/-100PPM10R0
R222	0698-7848	1	RESISTOR 1.25K +-0.1% .125W TF TC=0+-25	05524	CMF-551251BT-9
R223	0698-7219	1	RESISTOR 196 +-1% .05W TF TC=0+-100	06424	NK3H.05W1%+/-100PPM196R0
R224	0699-0454	1	RESISTOR 250 +-0.1% .1W TF TC=0+-10	05524	PTF-562500BT-13

**HP Part Number 08563-60098
Interface (continued)**

Reference Designator	HP Part Number	Qty	Description	Mfr Code	Mfr Part Number
R225	0698-6317	1	RESISTOR 500 +-0.1% .125W TF TC=0+-25	05524	CMF-555000BT-9
R226	0757-0279	1	RESISTOR 3.16K +-1% .125W TF TC=0+-100	05524	CMF-553161FT-1
R227	0698-3440	1	RESISTOR 196 +-1% .125W TF TC=0+-100	05524	CMF-551960FT-1
R228	0757-0401	1	RESISTOR 100 +-1% .125W TF TC=0+-100	05524	CMF-551000FT-1
R229	0698-7212	1	RESISTOR 100 +-1% .05W TF TC=0+-100	06424	NK3H.05W1%+/-100PPM100R0
R230	0698-7226	1	RESISTOR 383 +-1% .05W TF TC=0+-100	05524	CMF-503830FT-1
R232	0698-7243	1	RESISTOR 1.96K +-1% .05W TF TC=0+-100	06424	NK3H.05W1%+/-100PPM1961
R233	0698-3447	1	RESISTOR 422 +-1% .125W TF TC=0+-100	05524	CMF-554220FT-1
R234	0757-0401	1	RESISTOR 100 +-1% .125W TF TC=0+-100	05524	CMF-551000FT-1
R236	0757-0401	1	RESISTOR 100 +-1% .125W TF TC=0+-100	05524	CMF-551000FT-1
R237	0698-7212	1	RESISTOR 100 +-1% .05W TF TC=0+-100	06424	NK3H.05W1%+/-100PPM100R0
R238	0698-7212	1	RESISTOR 100 +-1% .05W TF TC=0+-100	06424	NK3H.05W1%+/-100PPM100R0
R240	0698-7236	1	RESISTOR 1K +-1% .05W TF TC=0+-100	06424	NK3H.05W1%+/-100PPM1001
R241	0698-7236	1	RESISTOR 1K +-1% .05W TF TC=0+-100	06424	NK3H.05W1%+/-100PPM1001
R242	0698-7212	1	RESISTOR 100 +-1% .05W TF TC=0+-100	06424	NK3H.05W1%+/-100PPM100R0
R243	0757-0416	1	RESISTOR 511 +-1% .125W TF TC=0+-100	06424	NK4H.125W1%+/-100PPM511R0
R244	0698-3132	1	RESISTOR 261 +-1% .125W TF TC=0+-100	06424	NK4H.125W1%+/-100PPM261R0
R245	0757-0401	1	RESISTOR 100 +-1% .125W TF TC=0+-100	05524	CMF-551000FT-1
R246	0757-0416	1	RESISTOR 511 +-1% .125W TF TC=0+-100	06424	NK4H.125W1%+/-100PPM511R0
R247	0699-2121	1	RESISTOR 5.62 +-1% .125W TF TC=0+-100	05524	CCF-505R62F
R248	0698-6317	1	RESISTOR 500 +-0.1% .125W TF TC=0+-25	05524	CMF-555000BT-9
R249	0698-0083	1	RESISTOR 1.96K +-1% .125W TF TC=0+-100	06424	NK4H.125W1%+/-100PPM1961
R250	0698-3452	1	RESISTOR 147K +-1% .125W TF TC=0+-100	06424	NK4H.125W1%+/-100PPM1473
R253	0698-3440	1	RESISTOR 196 +-1% .125W TF TC=0+-100	05524	CMF-551960FT-1
R254	0698-3459	1	RESISTOR 383K +-1% .125W TF TC=0+-100	05524	CMF-553833FT-1
R257	0698-0084	1	RESISTOR 2.15K +-1% .125W TF TC=0+-100	06424	NK4H.125W1%+/-100PPM2151
R258	0757-0438	1	RESISTOR 5.11K +-1% .125W TF TC=0+-100	06424	NK4H.125W1%+/-100PPM5111
R259	0698-3440	1	RESISTOR 196 +-1% .125W TF TC=0+-100	05524	CMF-551960FT-1
R260	0698-6317	1	RESISTOR 500 +-0.1% .125W TF TC=0+-25	05524	CMF-555000BT-9
R262	0698-7219	1	RESISTOR 196 +-1% .05W TF TC=0+-100	06424	NK3H.05W1%+/-100PPM196R0
R263	0757-0401	1	RESISTOR 100 +-1% .125W TF TC=0+-100	05524	CMF-551000FT-1
R265	0757-0418	1	RESISTOR 619 +-1% .125W TF TC=0+-100	05524	CMF-556190FT-1
R266	0698-6360	1	RESISTOR 10K +-0.1% .125W TF TC=0+-25	05524	CMF-551002BT-9
R267	0698-6320	1	RESISTOR 5K +-0.1% .125W TF TC=0+-25	05524	CMF-555001BT-9
R268	0698-0083	1	RESISTOR 1.96K +-1% .125W TF TC=0+-100	06424	NK4H.125W1%+/-100PPM1961

**Indicates factory-selected value*

CLIP 08563-90017 13

Scans by ArtekMedia => 2009

HP Part Number 08563-60098
Interface (continued)

Reference Designator	HP Part Number	Qty	Description	Mfr Code	Mfr Part Number
R269	0698-6360	1	RESISTOR 10K +-0.1% .125W TF TC=0+-25	05524	CMF-551002BT-9
R270	0698-6360	1	RESISTOR 10K +-0.1% .125W TF TC=0+-25	05524	CMF-551002BT-9
R271	0698-6360	1	RESISTOR 10K +-0.1% .125W TF TC=0+-25	05524	CMF-551002BT-9
R272	0698-6360	1	RESISTOR 10K +-0.1% .125W TF TC=0+-25	05524	CMF-551002BT-9
R273	0698-6360	1	RESISTOR 10K +-0.1% .125W TF TC=0+-25	05524	CMF-551002BT-9
R274	0698-6360	1	RESISTOR 10K +-0.1% .125W TF TC=0+-25	05524	CMF-551002BT-9
R275	0698-6360	1	RESISTOR 10K +-0.1% .125W TF TC=0+-25	05524	CMF-551002BT-9
R276	0698-6360	1	RESISTOR 10K +-0.1% .125W TF TC=0+-25	05524	CMF-551002BT-9
R277	0698-0083	1	RESISTOR 1.96K +-1% .125W TF TC=0+-100	06424	NK4H.125W1%+/-100PPM1961
R278	0698-6360	1	RESISTOR 10K +-0.1% .125W TF TC=0+-25	05524	CMF-551002BT-9
R279	0698-7253	1	RESISTOR 5.11K +-1% .05W TF TC=0+-100	06424	NK3H.05W1%+/-100PPM5111
R280	0698-7260	1	RESISTOR 10K +-1% .05W TF TC=0+-100	06424	NK3H.05W1%+/-100PPM1002
R281	0698-6320	1	RESISTOR 5K +-0.1% .125W TF TC=0+-25	05524	CMF-555001BT-9
R282	0757-0280	1	RESISTOR 1K +-1% .125W TF TC=0+-100	05524	CMF-551001FT-1
R283	0698-0083	1	RESISTOR 1.96K +-1% .125W TF TC=0+-100	06424	NK4H.125W1%+/-100PPM1961
R284	0757-0442	1	RESISTOR 10K +-1% .125W TF TC=0+-100	05524	CMF-551002FT-1
R285	0757-0278	1	RESISTOR 1.78K +-1% .125W TF TC=0+-100	05524	CMF-551781FT-1
R286	0757-0442	1	RESISTOR 10K +-1% .125W TF TC=0+-100	05524	CMF-551002FT-1
R289	0698-7258	1	RESISTOR 8.25K +-1% .05W TF TC=0+-100	05524	CMF-508251FT-1
R290	0698-6362	1	RESISTOR 1K +-0.1% .125W TF TC=0+-25	05524	CMF-551001BT-9
R291	0698-8818	1	RESISTOR 3.16 +-1% .125W TF TC=0+-100	05524	CMF-553R16FT-1
R292	0757-0401	1	RESISTOR 100 +-1% .125W TF TC=0+-100	05524	CMF-551000FT-1
R293	0698-7236	1	RESISTOR 1K +-1% .05W TF TC=0+-100	06424	NK3H.05W1%+/-100PPM1001
R301	0698-7248	1	RESISTOR 3.16K +-1% .05W TF TC=0+-100	05524	CMF-503161FT-1
R302	0698-7848	1	RESISTOR 1.25K +-0.1% .125W TF TC=0+-25	05524	CMF-551251BT-9
R303	0698-7229	1	RESISTOR 511 +-1% .05W TF TC=0+-100	06424	NK3H.05W1%+/-100PPM511R0
R304	0757-0401	1	RESISTOR 100 +-1% .125W TF TC=0+-100	05524	CMF-551000FT-1
R305	0698-7229	1	RESISTOR 511 +-1% .05W TF TC=0+-100	06424	NK3H.05W1%+/-100PPM511R0
R306	0757-0442	1	RESISTOR 10K +-1% .125W TF TC=0+-100	05524	CMF-551002FT-1
R307	0698-7212	1	RESISTOR 100 +-1% .05W TF TC=0+-100	06424	NK3H.05W1%+/-100PPM100R0
R308	0698-3154	1	RESISTOR 4.22K +-1% .125W TF TC=0+-100	05524	CMF-554221FT-1
R309	0698-3151	1	RESISTOR 2.87K +-1% .125W TF TC=0+-100	05524	CMF-552871FT-1
R310	0698-7212	1	RESISTOR 100 +-1% .05W TF TC=0+-100	06424	NK3H.05W1%+/-100PPM100R0
R312	0757-0442	1	RESISTOR 10K +-1% .125W TF TC=0+-100	05524	CMF-551002FT-1
R313	0698-3132	1	RESISTOR 261 +-1% .125W TF TC=0+-100	06424	NK4H.125W1%+/-100PPM261R0

**HP Part Number 08563-60098
Interface (continued)**

Reference Designator	HP Part Number	Qty	Description	Mfr Code	Mfr Part Number
R314	0757-0394	1	RESISTOR 51.1 +-1% .125W TF TC=0+-100	05524	CMF-5551R1FT-1
R315	0698-7215	1	RESISTOR 133 +-1% .05W TF TC=0+-100	06424	NK3H.05W1%+/-100PPM133R0
R316	0698-7219	1	RESISTOR 196 +-1% .05W TF TC=0+-100	06424	NK3H.05W1%+/-100PPM196R0
R317	0698-7188	1	RESISTOR 10 +-1% .05W TF TC=0+-100	06424	NK3H.05W1%+/-100PPM10R0
R318	0698-7188	1	RESISTOR 10 +-1% .05W TF TC=0+-100	06424	NK3H.05W1%+/-100PPM10R0
R319	0757-0401	1	RESISTOR 100 +-1% .125W TF TC=0+-100	05524	CMF-551000FT-1
R320	0698-7188	1	RESISTOR 10 +-1% .05W TF TC=0+-100	06424	NK3H.05W1%+/-100PPM10R0
R322	0698-7848	1	RESISTOR 1.25K +-0.1% .125W TF TC=0+-25	05524	CMF-551251BT-9
R323	0698-7219	1	RESISTOR 196 +-1% .05W TF TC=0+-100	06424	NK3H.05W1%+/-100PPM196R0
R324	0699-0454	1	RESISTOR 250 +-0.1% .1W TF TC=0+-10	05524	PTF-562500BT-13
R325	0698-6317	1	RESISTOR 500 +-0.1% .125W TF TC=0+-25	05524	CMF-555000BT-9
R326	0757-0279	1	RESISTOR 3.16K +-1% .125W TF TC=0+-100	05524	CMF-553161FT-1
R327	0698-3440	1	RESISTOR 196 +-1% .125W TF TC=0+-100	05524	CMF-551960FT-1
R328	0757-0401	1	RESISTOR 100 +-1% .125W TF TC=0+-100	05524	CMF-551000FT-1
R329	0698-7212	1	RESISTOR 100 +-1% .05W TF TC=0+-100	06424	NK3H.05W1%+/-100PPM100R0
R330	0698-7226	1	RESISTOR 383 +-1% .05W TF TC=0+-100	05524	CMF-503830FT-1
R332	0698-7243	1	RESISTOR 1.96K +-1% .05W TF TC=0+-100	06424	NK3H.05W1%+/-100PPM1961
R333	0757-1094	1	RESISTOR 1.47K +-1% .125W TF TC=0+-100	05524	CMF-551471FT-1
R334	0757-0276	1	RESISTOR 61.9 +-1% .125W TF TC=0+-100	05524	CMF-5561R9FT-1
R336	0698-7212	1	RESISTOR 100 +-1% .05W TF TC=0+-100	06424	NK3H.05W1%+/-100PPM100R0
R337	0698-7212	1	RESISTOR 100 +-1% .05W TF TC=0+-100	06424	NK3H.05W1%+/-100PPM100R0
R338	0698-7212	1	RESISTOR 100 +-1% .05W TF TC=0+-100	06424	NK3H.05W1%+/-100PPM100R0
R340	0698-7236	1	RESISTOR 1K +-1% .05W TF TC=0+-100	06424	NK3H.05W1%+/-100PPM1001
R341	0698-7236	1	RESISTOR 1K +-1% .05W TF TC=0+-100	06424	NK3H.05W1%+/-100PPM1001
R342	0698-7212	1	RESISTOR 100 +-1% .05W TF TC=0+-100	06424	NK3H.05W1%+/-100PPM100R0
R343	0757-0416	1	RESISTOR 511 +-1% .125W TF TC=0+-100	06424	NK4H.125W1%+/-100PPM511R0
R344	0698-3132	1	RESISTOR 261 +-1% .125W TF TC=0+-100	06424	NK4H.125W1%+/-100PPM261R0
R345	0757-0401	1	RESISTOR 100 +-1% .125W TF TC=0+-100	05524	CMF-551000FT-1
R346	0757-0416	1	RESISTOR 511 +-1% .125W TF TC=0+-100	06424	NK4H.125W1%+/-100PPM511R0
R347	0699-2121	1	RESISTOR 5.62 +-1% .125W TF TC=0+-100	05524	CCF-505R62F
R348	0698-6317	1	RESISTOR 500 +-0.1% .125W TF TC=0+-25	05524	CMF-555000BT-9
R349	0698-0083	1	RESISTOR 1.96K +-1% .125W TF TC=0+-100	06424	NK4H.125W1%+/-100PPM1961
R350	0698-3452	1	RESISTOR 147K +-1% .125W TF TC=0+-100	06424	NK4H.125W1%+/-100PPM1473
R353	0698-3440	1	RESISTOR 196 +-1% .125W TF TC=0+-100	05524	CMF-551960FT-1
R354	0698-3459	1	RESISTOR 383K +-1% .125W TF TC=0+-100	05524	CMF-553833FT-1

**Indicates factory-selected value*

CLIP 08563-90017 15

Scans by ArtekMedia => 2009

HP Part Number 08563-60098
Interface (continued)

Reference Designator	HP Part Number	Qty	Description	Mfr Code	Mfr Part Number
R357	0698-0084	1	RESISTOR 2.15K +-1% .125W TF TC=0+-100	06424	NK4H.125W1%+/-100PPM2151
R358	0757-0438	1	RESISTOR 5.11K +-1% .125W TF TC=0+-100	06424	NK4H.125W1%+/-100PPM5111
R359	0698-3440	1	RESISTOR 196 +-1% .125W TF TC=0+-100	05524	CMF-551960FT-1
R360	0757-0401	1	RESISTOR 100 +-1% .125W TF TC=0+-100	05524	CMF-551000FT-1
R361	0698-7219	1	RESISTOR 196 +-1% .05W TF TC=0+-100	06424	NK3H.05W1%+/-100PPM196R0
R362	0757-0274	1	RESISTOR 1.21K +-1% .125W TF TC=0+-100	06424	NK4H.125W1%+/-100PPM1211
R363	0757-0416	1	RESISTOR 511 +-1% .125W TF TC=0+-100	06424	NK4H.125W1%+/-100PPM511R0
R364	0698-0083	1	RESISTOR 1.96K +-1% .125W TF TC=0+-100	06424	NK4H.125W1%+/-100PPM1961
R365	0757-0442	1	RESISTOR 10K +-1% .125W TF TC=0+-100	05524	CMF-551002FT-1
R366	0757-0401	1	RESISTOR 100 +-1% .125W TF TC=0+-100	05524	CMF-551000FT-1
R368	0757-0401	1	RESISTOR 100 +-1% .125W TF TC=0+-100	05524	CMF-551000FT-1
R400	0698-3438	1	RESISTOR 147 +-1% .125W TF TC=0+-100	05524	CMF-551470FT-1
R401	0698-3438	1	RESISTOR 147 +-1% .125W TF TC=0+-100	05524	CMF-551470FT-1
R402	0698-3151	1	RESISTOR 2.87K +-1% .125W TF TC=0+-100	05524	CMF-552871FT-1
R403	0757-0442	1	RESISTOR 10K +-1% .125W TF TC=0+-100	05524	CMF-551002FT-1
R404	0757-0465	1	RESISTOR 100K +-1% .125W TF TC=0+-100	05524	CMF-551003FT-1
R405	0757-0424	1	RESISTOR 1.1K +-1% .125W TF TC=0+-100	06424	NK4H.125W1%+/-100PPM1101
R406	0698-3156	1	RESISTOR 14.7K +-1% .125W TF TC=0+-100	05524	CMF-551472FT-1
R407	0757-0442	1	RESISTOR 10K +-1% .125W TF TC=0+-100	05524	CMF-551002FT-1
R408	0757-0442	1	RESISTOR 10K +-1% .125W TF TC=0+-100	05524	CMF-551002FT-1
R409	0757-0442	1	RESISTOR 10K +-1% .125W TF TC=0+-100	05524	CMF-551002FT-1
R412	0757-0442	1	RESISTOR 10K +-1% .125W TF TC=0+-100	05524	CMF-551002FT-1
R413	0757-0442	1	RESISTOR 10K +-1% .125W TF TC=0+-100	05524	CMF-551002FT-1
R414	0757-0463	1	RESISTOR 82.5K +-1% .125W TF TC=0+-100	05524	CMF-558252FT-1
R415	0698-0082	1	RESISTOR 464 +-1% .125W TF TC=0+-100	06424	NK4H.125W1%+/-100PPM464R0
R416	0698-3151	1	RESISTOR 2.87K +-1% .125W TF TC=0+-100	05524	CMF-552871FT-1
R417	0698-3151	1	RESISTOR 2.87K +-1% .125W TF TC=0+-100	05524	CMF-552871FT-1
R418	0757-0464	1	RESISTOR 90.9K +-1% .125W TF TC=0+-100	06424	NK4H.125W1%+/-100PPM9092
R419	0698-7236	1	RESISTOR 1K +-1% .05W TF TC=0+-100	06424	NK3H.05W1%+/-100PPM1001
R420	0698-7236	1	RESISTOR 1K +-1% .05W TF TC=0+-100	06424	NK3H.05W1%+/-100PPM1001
R421	0698-6361	1	RESISTOR 8K +-0.1% .125W TF TC=0+-25	05524	CMF-558001BT-9
R422	0698-8804	1	RESISTOR 27.4K +-0.1% .125W TF TC=0+-25	05524	CMF-552742BT-9
R423	0699-1272	1	RESISTOR 1.218K +-0.1% .1W TF TC=0+-10	05524	PTF-561K218BT-13
R424	0698-6361	1	RESISTOR 8K +-0.1% .125W TF TC=0+-25	05524	CMF-558001BT-9
R425	0699-0768	1	RESISTOR 22.6K +-0.1% .125W TF TC=0+-25	05524	CMF-552262BT-9

**HP Part Number 08563-60098
Interface (continued)**

Reference Designator	HP Part Number	Qty	Description	Mfr Code	Mfr Part Number
R426	0699-0843	1	RESISTOR 2.87K +-0.1% .125W TF TC=0+-25	05524	CMF-552871BT-9
R427	0698-7212	1	RESISTOR 100 +-1% .05W TF TC=0+-100	06424	NK3H.05W1%+/-100PPM100R0
R428	0757-0280	1	RESISTOR 1K +-1% .125W TF TC=0+-100	05524	CMF-551001FT-1
R429	0757-0280	1	RESISTOR 1K +-1% .125W TF TC=0+-100	05524	CMF-551001FT-1
R500	0757-0441	1	RESISTOR 8.25K +-1% .125W TF TC=0+-100	06424	NK4H.125W1%+/-100PPM8251
R501	0698-3155	1	RESISTOR 4.64K +-1% .125W TF TC=0+-100	06424	NK4H.125W1%+/-100PPM4641
R502	0757-0442	1	RESISTOR 10K +-1% .125W TF TC=0+-100	05524	CMF-551002FT-1
R503	0698-3438	1	RESISTOR 147 +-1% .125W TF TC=0+-100	05524	CMF-551470FT-1
R505	0698-6360	1	RESISTOR 10K +-0.1% .125W TF TC=0+-25	05524	CMF-551002BT-9
R506	0698-3438	1	RESISTOR 147 +-1% .125W TF TC=0+-100	05524	CMF-551470FT-1
R507	0698-7237	1	RESISTOR 1.1K +-1% .05W TF TC=0+-100	05524	CMF-501101FT-1
R508	0698-3438	1	RESISTOR 147 +-1% .125W TF TC=0+-100	05524	CMF-551470FT-1
R509	0698-3155	1	RESISTOR 4.64K +-1% .125W TF TC=0+-100	06424	NK4H.125W1%+/-100PPM4641
R510	0698-7246	1	RESISTOR 2.61K +-1% .05W TF TC=0+-100	06424	NK3H.05W1%+/-100PPM2611
R511	0698-8818	1	RESISTOR 3.16 +-1% .125W TF TC=0+-100	05524	CMF-553R16FT-1
R600	0698-3160	1	RESISTOR 31.6K +-1% .125W TF TC=0+-100	06424	NK4H.125W1%+/-100PPM3162
R601	0757-0280	1	RESISTOR 1K +-1% .125W TF TC=0+-100	05524	CMF-551001FT-1
R602	0757-0470	1	RESISTOR 162K +-1% .125W TF TC=0+-100	06424	NK4H.125W1%+/-100PPM1623
R603	0757-0280	1	RESISTOR 1K +-1% .125W TF TC=0+-100	05524	CMF-551001FT-1
R604	0757-0442	1	RESISTOR 10K +-1% .125W TF TC=0+-100	05524	CMF-551002FT-1
R605	0757-0439	1	RESISTOR 6.81K +-1% .125W TF TC=0+-100	05524	CMF-556811FT-1
R606	0757-0467	1	RESISTOR 121K +-1% .125W TF TC=0+-100	06424	NK4H.125W1%+/-100PPM1213
R607	0757-0438	1	RESISTOR 5.11K +-1% .125W TF TC=0+-100	06424	NK4H.125W1%+/-100PPM5111
R608	0757-0417	1	RESISTOR 562 +-1% .125W TF TC=0+-100	05524	CMF-555620FT-1
R609	0757-0280	1	RESISTOR 1K +-1% .125W TF TC=0+-100	05524	CMF-551001FT-1
R610	0698-3155	1	RESISTOR 4.64K +-1% .125W TF TC=0+-100	06424	NK4H.125W1%+/-100PPM4641
R611	0698-3431	1	RESISTOR 23.7 +-1% .125W TF TC=0+-100	05524	CMF-5523R7FT-1
R612	0698-3431	1	RESISTOR 23.7 +-1% .125W TF TC=0+-100	05524	CMF-5523R7FT-1
R613	0757-0442	1	RESISTOR 10K +-1% .125W TF TC=0+-100	05524	CMF-551002FT-1
R614	0698-3446	1	RESISTOR 383 +-1% .125W TF TC=0+-100	05524	CMF-553830FT-1
R615	0698-3445	1	RESISTOR 348 +-1% .125W TF TC=0+-100	06424	NK4H.125W1%+/-100PPM348R0
TP3	0360-2359	1	TERMINAL-TEST POINT .230IN ABOVE	13296	230.100
TP4	0360-2359	1	TERMINAL-TEST POINT .230IN ABOVE	13296	230.100
TP5	0360-2359	1	TERMINAL-TEST POINT .230IN ABOVE	13296	230.100
U101	1858-0032	1	TRANSISTOR ARRAY 14-PIN PLSTC DIP	37338	CA3146E

**Indicates factory-selected value*

CLIP 08563-90017 17

Scans by ArtekMedia => 2009

HP Part Number 08563-60098
Interface (continued)

Reference Designator	HP Part Number	Qty	Description	Mfr Code	Mfr Part Number
U102	1820-2056	1	IC FF TTL/LS D-TYPE POS-EDGE-TRIG COM	01698	SN74LS378N
U103	1858-0032	1	TRANSISTOR ARRAY 14-PIN PLSTC DIP	37338	CA3146E
U104	1820-2056	1	IC FF TTL/LS D-TYPE POS-EDGE-TRIG COM	01698	SN74LS378N
U105	1826-0547	1	IC OP AMP LOW-BIAS-H-IMPED DUAL 8 PIN	01698	TL072ACP
U106	1810-0371	1	NET-RES 7 100.0K OHM 8-PIN	06252	750-81
U107	1826-0161	1	IC OP AMP GP QUAD 14 PIN DIP-P	03406	LM324N
U108	1826-0609	1	ANALOG MULTIPLEXER 8 CHNL 16 -CERDIP	03285	MUX-08FQ
U109	1826-0138	1	IC COMPARATOR GP QUAD 14 PIN DIP-P	03406	LM339N
U110	1826-0547	1	IC OP AMP LOW-BIAS-H-IMPED DUAL 8 PIN	01698	TL072ACP
U111	1826-0139	1	IC OP AMP GP DUAL 8 PIN DIP-P	03406	LM1458N
U112	1820-1934	1	D/A 8-BIT 16-CERDIP BPLR	03285	DAC-08EQ
U113	1820-1934	1	D/A 8-BIT 16-CERDIP BPLR	03285	DAC-08EQ
U114	1826-0988	1	SAMPLE AND HOLD 14 -CERDIP	03285	SMP-11GY
U201	1826-0890	1	IC OP AMP GP DUAL 8 PIN DIP-P	03406	LM358AN
U202	1810-1011	1	NET-RES 4 3.3K OHM 5-PIN	12516	05-R-101-332
U203	1826-0161	1	IC OP AMP GP QUAD 14 PIN DIP-P	03406	LM324N
U204	1858-0040	1	TRANSISTOR ARRAY 16-PIN PLSTC DIP	28480	1858-0040
U205	1826-1197	1	IC OP AMP PRNC 8 PIN DIP-C	03285	OP-15EZ
U206	1826-0139	1	IC OP AMP GP DUAL 8 PIN DIP-P	03406	LM1458N
U207	1826-1493	1	IC PWR MGT-V-REF-FXD 9.97/10.03V 8 PINS	03285	REF-01EZ
U208	1826-0547	1	IC OP AMP LOW-BIAS-H-IMPED DUAL 8 PIN	01698	TL072ACP
U209	1858-0077	1	TRANSISTOR ARRAY 14-PIN PLSTC TO-116	11699	MPQ2222
U301	1826-0890	1	IC OP AMP GP DUAL 8 PIN DIP-P	03406	LM358AN
U302	1810-1011	1	NET-RES 4 3.3K OHM 5-PIN	12516	05-R-101-332
U303	1826-0161	1	IC OP AMP GP QUAD 14 PIN DIP-P	03406	LM324N
U304	1858-0040	1	TRANSISTOR ARRAY 16-PIN PLSTC DIP	28480	1858-0040
U305	1826-1197	1	IC OP AMP PRNC 8 PIN DIP-C	03285	OP-15EZ
U306	1826-1616	1	IC COMPARATOR LP DUAL 8 PIN DIP-P	02910	LM393AN
U307	1858-0032	1	TRANSISTOR ARRAY 14-PIN PLSTC DIP	37338	CA3146E
U400	1820-3537	1	IC FF CMOS/HCT D-TYPE POS-EDGE-TRIG	01698	CD74HCT74E
U401	1820-3456	1	IC DRVR CMOS/HCT BUS OCTL	02910	74HCT244N
U405	1820-3849	1	IC LCH CMOS/HCT TRANSPARENT OCTL	02910	74HCT373N
U406	1820-3849	1	IC LCH CMOS/HCT TRANSPARENT OCTL	02910	74HCT373N
U407	1820-3796	1	IC DCDR-DEMURX CMOS/HCT 2-TO-4-LINE DUAL	01698	CD74HCT139E
U408	1820-2923	1	IC GATE CMOS/HC NAND TPL 3-INP	02910	74HC10N

**HP Part Number 08563-60098
Interface (continued)**

Reference Designator	HP Part Number	Qty	Description	Mfr Code	Mfr Part Number
U409	1826-1231	1	D/A 8-DGT 20-PLASTIC CMOS	03285	AD7528KN
U410	1820-3847	1	IC DCDR-DEMUXR CMOS/HCT BIN 3-TO-8-LINE	01698	SN74HCT138N
U411	1820-1445	1	IC LCH TTL/LS TRANSPARENT 4-BIT	01698	SN74LS375N
U412	1820-3537	1	IC FF CMOS/HCT D-TYPE POS-EDGE-TRIG	01698	CD74HCT74E
U414	1820-4947	1	IC FF CMOS/HCT J-K NEG-EDGE-TRIG	02910	74HCT112N
U415	1820-4721	1	IC GATE CMOS/HCT OR QUAD 2-INP	02910	74HCT32N
U416	1820-3664	1	IC GATE CMOS/HCT NAND QUAD 2-INP	02237	MM74HCT00N
U417	1826-2402	1	D/A 12-BIT 24-PLASTIC CMOS	03285	AD7837BN
U418	1826-1128	1	IC OP AMP PRCN DUAL 8 PIN DIP-P	03406	LF412ACN
U419	1826-0161	1	IC OP AMP GP QUAD 14 PIN DIP-P	03406	LM324N
U420	1820-1447	1	IC RGTR TTL/LS FILES	01698	SN74LS670N
U421	1820-1447	1	IC RGTR TTL/LS FILES	01698	SN74LS670N
U422	1820-1437	1	IC MV TTL/LS MONOSTBL CLEAR DUAL	01698	SN74LS221N
U423	1820-3673	1	IC MV CMOS/HC MONOSTBL RETRIG DUAL	06354	TC74HC123P
U500	1820-3847	1	IC DCDR-DEMUXR CMOS/HCT BIN 3-TO-8-LINE	01698	SN74HCT138N
U501	1810-0279	1	NET-RES 9 4.7K OHM 10-PIN	05524	MSP10A01-472G
U502	1820-3848	1	IC FF CMOS/HCT D-TYPE POS-EDGE-TRIG COM	02910	74HCT374N
U503	08562-80030	1	EPROM-PRGMD U503	28480	08562-80030
U504	1820-4584	1	IC MUXR/DATA-SEL CMOS/HCT 8-TO-1-LINE	02910	74HCT251N
U505	1820-4643	1	IC GATE CMOS/HCT NOR QUAD 2-INP 14-PDIP	01698	SN74HCT02N
U506	1820-3848	1	IC FF CMOS/HCT D-TYPE POS-EDGE-TRIG COM	02910	74HCT374N
U507	1820-3191	1	IC MUXR/DATA-SEL 2-TO-1-LINE 16-PDIP	02910	74HC257N
U508	1820-4208	1	IC FF CMOS/HC D-TYPE POS-EDGE-TRIG COM	01698	SN74HC377N
U509	1820-3672	1	IC MUXR/DATA-SEL CMOS/HC 4-TO-1-LINE	02910	74HC253N
U510	1820-3082	1	IC FF CMOS/HC D-TYPE POS-EDGE-TRIG COM	01698	SN74HC374N
U511	1820-3537	1	IC FF CMOS/HCT D-TYPE POS-EDGE-TRIG	01698	CD74HCT74E
U512	1826-1708	1	IC COMPARATOR PRCN 8 PIN DIP-C	03285	CMP-05FZ
U514	1820-3456	1	IC DRVR CMOS/HCT BUS OCTL	02910	74HCT244N
U515	1820-3081	1	IC FF CMOS/HC D-TYPE POS-EDGE-TRIG	01698	SN74HC74N
U516	1820-3456	1	IC DRVR CMOS/HCT BUS OCTL	02910	74HCT244N
U517	1820-4721	1	IC GATE CMOS/HCT OR QUAD 2-INP	02910	74HCT32N
U518	1826-0705	1	D/A 12-BIT 20-CERDIP BPLR	03285	DAC312FR
U519	1820-4078	1	IC MUXR/DATA-SEL CMOS/HCT 2-TO-1-LINE	02910	74HCT257N
U520	1820-3205	1	IC CNTR CMOS/HC BIN UP/DOWN SYNCHRO	02910	74HC193N
U521	1820-3629	1	IC INV CMOS/HCT HEX	02237	MM74HCT04N

**Indicates factory-selected value*

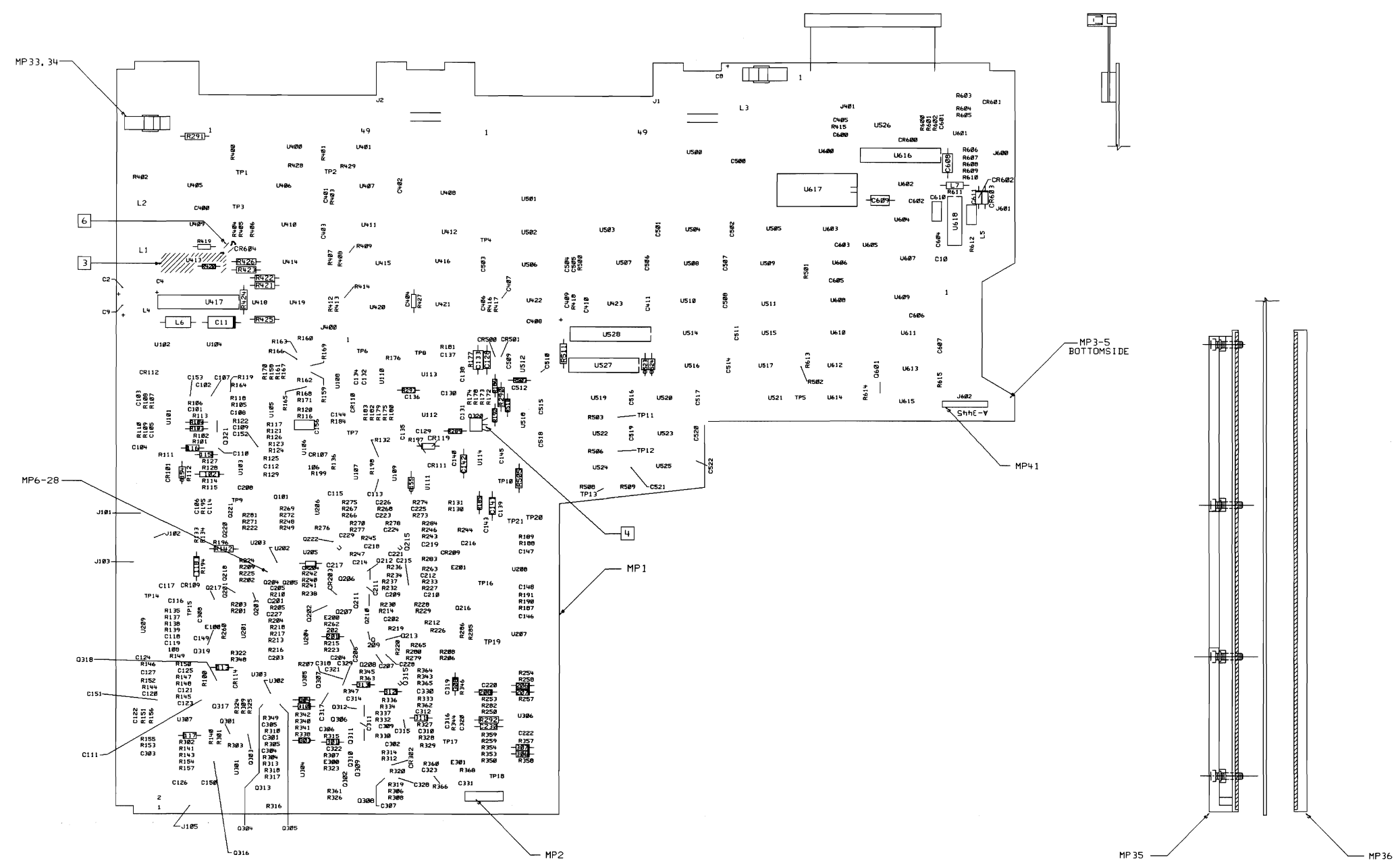
CLIP 08563-90017 19

Scans by ArtekMedia => 2009

**HP Part Number 08563-60098
Interface (continued)**

Reference Designator	HP Part Number	Qty	Description	Mfr Code	Mfr Part Number
U522	1820-4078	1	IC MUXR/DATA-SEL CMOS/HCT 2-TO-1-LINE	02910	74HCT257N
U523	1820-3205	1	IC CNTR CMOS/HC BIN UP/DOWN SYNCHRO	02910	74HC193N
U524	1820-4078	1	IC MUXR/DATA-SEL CMOS/HCT 2-TO-1-LINE	02910	74HCT257N
U525	1820-3205	1	IC CNTR CMOS/HC BIN UP/DOWN SYNCHRO	02910	74HC193N
U526	1820-3537	1	IC FF CMOS/HCT D-TYPE POS-EDGE-TRIG	01698	CD74HCT74E
U527	08563-80020	1	PAL-PRGMD U527	28480	08563-80020
U528	08563-80021	1	PAL-PRGMD U528	28480	08563-80021
U600	1820-3665	1	IC TRANSCEIVER CMOS/HCT BUS OCTL	01698	SN74HCT245N
U601	1826-0412	1	IC COMPARATOR PRCN DUAL 8 PIN DIP-P	03406	LM393N
U602	1820-4208	1	IC FF CMOS/HC D-TYPE POS-EDGE-TRIG COM	01698	SN74HC377N
U603	1820-3297	1	IC DRVR CMOS/HC BUS OCTL	02910	74HC244N
U604	1820-3456	1	IC DRVR CMOS/HCT BUS OCTL	02910	74HCT244N
U605	1810-0279	1	NET-RES 9 4.7K OHM 10-PIN	05524	MSP10A01-472G
U606	1820-3208	1	IC CNTR CMOS/HC BIN ASYNCHRO	01698	SN74HC393N
U607	1820-3675	1	IC GATE CMOS/HC NAND 8-INP 14-PDIP	02910	74HC30N
U608	1820-3537	1	IC FF CMOS/HCT D-TYPE POS-EDGE-TRIG	01698	CD74HCT74E
U609	1820-3456	1	IC DRVR CMOS/HCT BUS OCTL	02910	74HCT244N
U610	1820-3097	1	IC GATE CMOS/HC AND QUAD 2-INP	02237	MM74HC08N
U611	1820-3206	1	IC LCH CMOS/HC ADDRESSABLE POS-EDGE-TRIG	02237	MM74HC259N
U612	1820-3081	1	IC FF CMOS/HC D-TYPE POS-EDGE-TRIG	01698	SN74HC74N
U613	1820-4585	1	IC MUXR/DATA-SEL CMOS/HCT 4-TO-1-LINE	02910	74HCT253BN
U614	1820-3664	1	IC GATE CMOS/HCT NAND QUAD 2-INP	02237	MM74HCT00N
U615	1820-3537	1	IC FF CMOS/HCT D-TYPE POS-EDGE-TRIG	01698	CD74HCT74E
U616	08563-80014	1	PAL-PRGM U616	28480	08563-80014
U617	1820-4669	1	IC-PROGRAMMABLE INTERVAL TIMER - 8MHZ	37338	CP82C54-10
U618	1820-6276	1	IC INV CMOS/ACT HEX	01698	CD74ACT04E

5300		D-08563-60098	
SYM	REVISIONS	APPROVED	DATE
A	AS ISSUED PER PCO 53-09298		
B	CHANGED PER PCO 53-10999/ DM		



- NOTES: UNLESS OTHERWISE SPECIFIED
- ALL 2 LEAD COMPONENTS WITH 3 DIGIT REFERENCE DESIGNATORS AND SQUARE PAD POLARITY MARKING TO BE PREFIXED WITH "CR" EXAMPLE - 200 BECOMES CR200.
 - TEST POINTS ARE SHOWN FOR REFERENCE ONLY. DO NOT LOAD.
 - THE 08563-60078 ASSEMBLY USES R419 AND R420, U413 IS NOT LOADED.
 - BEND LEADS ON Q320 SO FLAT FACE OF BODY RESTS ON THE PC BOARD.
 - USE RAW BOARD PART NUMBER 08563-20078.
 - SOLDER CR604 BETWEEN U413 PIN 1 AND R404 AS SHOWN.

Scans by ArtekMedia => 2009

AGILENT TECHNOLOGIES RESTRICTED THIS DOCUMENT CONTAINS CONFIDENTIAL, PROPRIETARY INFORMATION THAT IS AGILENT TECHNOLOGIES PROPERTY. DO NOT DISCLOSE TO OR DUPLICATE FOR OTHERS EXCEPT AS AUTHORIZED BY AGILENT TECHNOLOGIES.		UNLESS OTHERWISE SPECIFIED, DIMENSIONS ARE IN INCHES. TOLERANCES: XX.XXX ±.010 XX.XX ±.02 THIRD ANGLE PROJECTION	DRAWN BY _____ DATE _____ ENGINEER/CHECKER _____ DATE _____ RELEASE TO PROD. _____ DATE _____ SUPERSEDES DWG. _____	ASSEMBLY, PWB INTERFACE-FADC TITLE	alact098 FILENAME SCALE NONE SHEET 1 OF 1 PART NUMBER 08563-60098 D-08563-60098-2
--	--	---	--	--	--

J1 POWER BUS

PIN	SIGNAL	TO/FROM	SHEET/ BLOCK
1	NC	WI	
2	AGND	WI	2C
3	AGND	WI	2C
4	NC	WI	
5	NC	WI	
6	AGND	WI	2C
7	NC	WI	
8	AGND	WI	2C
9	AGND	WI	2C
10	SCAN RAMP	WI	6AA
11	NC	WI	
12	AGND	WI	2C
13	+12V BY PROBE	WI	2C
14	-15V	WI	2C
15	AGND	WI	2C
16	-15V	WI	2C
17	+15V	WI	2C
18	AGND	WI	2C
19	+15V	WI	2C
20	+20V	WI	2C
21	+20V	WI	2C
22	PROB UP	WI	NC
23	-15V	WI	2C
24	-15V	WI	2C
25	+15V	WI	2C
26	+15V	WI	2C
27	+5V	WI	2C
28	+5V	WI	2C
29	+5V	WI	2C
30	+5V	WI	2C
31	AGND	WI	2C
32	AGND	WI	2C
33	AGND	WI	2C
34	AGND	WI	2C
35	AGND	WI	2C
36	AGND	WI	2C
37	AGND	WI	2C
38	AGND	WI	2C
39	+5V	WI	2C
40	+5V	WI	2C
41	+5V	WI	2C
42	+5V	WI	2C
43	+5V	WI	2C
44	+5V	WI	2C
45	+5V	WI	2C
46	LINE TRIGGER	WI	3U
47	AGND	WI	2C
48	+15V	WI	2C
49	-15V	WI	2C
50	-15V	WI	2C

J2 ANALOG BUS

PIN	SIGNAL	TO/FROM	FUNCTION BLOCK
1	TR	WI	WN
2	LKSN0	AI1AJ1-2	2J
3	LKSN1	AI1AJ1-3	2J
4	RS	WI	WN
5	RS	WI	WN
6	LKSN2	AI1AJ1-4	2J
7	LKSN3	AI1AJ1-5	2J
8	RS	WI	WN
9	LKSN4	AI1AJ1-6	2J
10	LKSN5	AI1AJ1-7	2J
11	TR	WI	WN
12	LKSN6	AI1AJ1-8	2J
13	LKSN7	AI1AJ1-9	2J
14	RS	WI	WN
15	LKSN8	AI1AJ1-10	2J
16	RS	WI	WN
17	AGND	WI	2C
18	AGND	WI	2C
19	RS	WI	WN
20	RS	WI	WN
21	AGND	WI	2C
22	LFP-STB	WI	WN
23	LFP-STB	WI	WN
24	LFP-STB	WI	WN
25	NC	WI	
26	LLOG-STB	WI	WN, SU
27	NC	WI	
28	AGND	WI	2C
29	STEP FULL	WI	3K
30	TRCAN	WI	3H
31	AGND	WI	2C
32	RSERVED	WI	2C
33	OP1 ERR	WI	6AA
34	OP1 INCT	WI	2C
35	AGND	WI	2C
36	OP1 INCT	WI	2C
37	LOT ERRO	WI	NC
38	AGND	WI	2C
39	OPD ENABLE	WI	2C
40	RS BOX	WI	6AA
41	AGND	WI	2C
42	YTO ERR	WI	6AA
43	+15V REF	WI	3I, 3O, 3AU
44	AGND	WI	2C
45	SCAN RAMP	WI	2C
46	NC	WI	
47	AGND	WI	2C
48	RS BOX	WI	6AA
49	RS BOX	WI	6AA
50	RS BOX	WI	6AA

J602 KEYBOARD/RPG

PIN	SIGNAL	TO/FROM	FUNCTION BLOCK
1	LKSN0	AI1AJ1-1	2J
2	LKSN1	AI1AJ1-2	2J
3	LKSN2	AI1AJ1-3	2J
4	RS	WI	WN
5	LKSN3	AI1AJ1-4	2J
6	AGND	WI	2C
7	TR (NC)	WI	2C
8	LKSN4	AI1AJ1-5	2J
9	K.C. RS	WI	2C
10	LKSN5	AI1AJ1-6	2J
11	LKSN6	AI1AJ1-7	2J
12	LKSN7	AI1AJ1-8	2J
13	LKSN8	AI1AJ1-9	2J
14	RS	WI	WN
15	RS	WI	WN
16	AGND	WI	2C
17	RS	WI	WN
18	AGND	WI	2C
19	RS	WI	WN
20	RS	WI	WN
21	PROBE UP	WI	NC
22	LFP-STB	WI	WN
23	PROBE -15V	WI	2C
24	PROBE -12V	WI	2C

J400 TEST & ADJ

PIN	SIGNAL	FUNCTION BLOCK
1	RS1	2C
2	RS2	2C
3	RS3	2C
4	RS4	2C
5	RS5	2C
6	RS6	2C
7	RS7	2C
8	RS8	2C
9	RS9	2C
10	RS10	2C
11	RS11	2C
12	RS12	2C
13	RS13	2C
14	RS14	2C
15	RS15	2C
16	RS16	2C
17	RS17	2C
18	RS18	2C
19	RS19	2C
20	RS20	2C
21	RS21	2C
22	RS22	2C
23	RS23	2C
24	RS24	2C

J105 TEST & ADJ

PIN	SIGNAL	FUNCTION BLOCK
1	RS1	2C
2	RS2	2C
3	RS3	2C
4	RS4	2C
5	RS5	2C
6	RS6	2C
7	RS7	2C
8	RS8	2C
9	RS9	2C
10	RS10	2C
11	RS11	2C
12	RS12	2C
13	RS13	2C
14	RS14	2C
15	RS15	2C
16	RS16	2C
17	RS17	2C
18	RS18	2C
19	RS19	2C
20	RS20	2C
21	RS21	2C
22	RS22	2C
23	RS23	2C
24	RS24	2C

J401 CONTROLLER BUS

PIN	SIGNAL	TO/FROM	FUNCTION BLOCK
1	TA1	AS2-28	3K
2	TAB	AS2-29	3K
3	TA2	AS2-30	3K
4	TAA	AS2-31	3K
5	TAS	AS2-32	3K
6	TA6	AS2-33	3K
7	TA7	AS2-34	3K
8	TA8	AS2-35	3K
9	TA9	AS2-36	3K
10	TA10	AS2-37	3K
11	TA11	AS2-38	3K
12	TA12	AS2-39	3K
13	TA13	AS2-40	3K
14	TA14	AS2-41	3K
15	TA15	AS2-42	3K
16	TA16	AS2-43	3K
17	TA17	AS2-44	3K
18	TA18	AS2-45	3K
19	TA19	AS2-46	3K
20	TA20	AS2-47	3K
21	TA21	AS2-48	3K
22	TA22	AS2-49	3K
23	TA23	AS2-50	3K
24	TA24	AS2-51	3K
25	TA25	AS2-52	3K
26	TA26	AS2-53	3K
27	TA27	AS2-54	3K
28	TA28	AS2-55	3K
29	TA29	AS2-56	3K
30	TA30	AS2-57	3K
31	TA31	AS2-58	3K
32	TA32	AS2-59	3K
33	TA33	AS2-60	3K
34	TA34	AS2-61	3K
35	TA35	AS2-62	3K
36	TA36	AS2-63	3K
37	TA37	AS2-64	3K
38	TA38	AS2-65	3K
39	TA39	AS2-66	3K
40	TA40	AS2-67	3K
41	TA41	AS2-68	3K
42	TA42	AS2-69	3K
43	TA43	AS2-70	3K
44	TA44	AS2-71	3K
45	TA45	AS2-72	3K
46	TA46	AS2-73	3K
47	TA47	AS2-74	3K
48	TA48	AS2-75	3K
49	TA49	AS2-76	3K
50	TA50	AS2-77	3K
51	TA51	AS2-78	3K
52	TA52	AS2-79	3K
53	TA53	AS2-80	3K
54	TA54	AS2-81	3K
55	TA55	AS2-82	3K
56	TA56	AS2-83	3K
57	TA57	AS2-84	3K
58	TA58	AS2-85	3K
59	TA59	AS2-86	3K
60	TA60	AS2-87	3K
61	TA61	AS2-88	3K
62	TA62	AS2-89	3K
63	TA63	AS2-90	3K
64	TA64	AS2-91	3K
65	TA65	AS2-92	3K
66	TA66	AS2-93	3K
67	TA67	AS2-94	3K
68	TA68	AS2-95	3K
69	TA69	AS2-96	3K
70	TA70	AS2-97	3K
71	TA71	AS2-98	3K
72	TA72	AS2-99	3K
73	TA73	AS2-100	3K

NOTES:

- REFERENCE DESIGNATORS WITHIN THIS ASSEMBLY ARE ABBREVIATED. PREFIX ABBREVIATION WITH ASSEMBLY NUMBER FOR COMPLETE REFERENCE DESIGNATOR.
- UNLESS OTHERWISE INDICATED: RESISTANCE IN OHMS (Ω) CAPACITANCE IN MICROFARADS (μF) INDUCTANCE IN MICROHENRIES (μH)

3. MNEMONIC TABLE

MNEMONIC	DESCRIPTION
MS	MEASURED SIGNAL
TA	TAM ADDRESS LINE

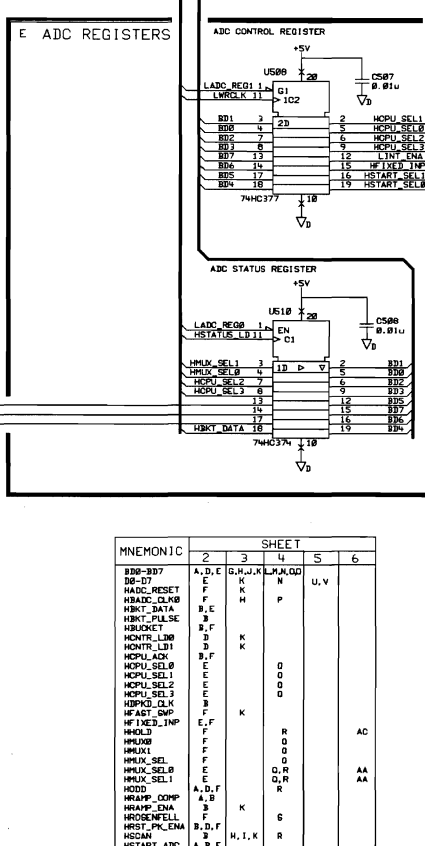
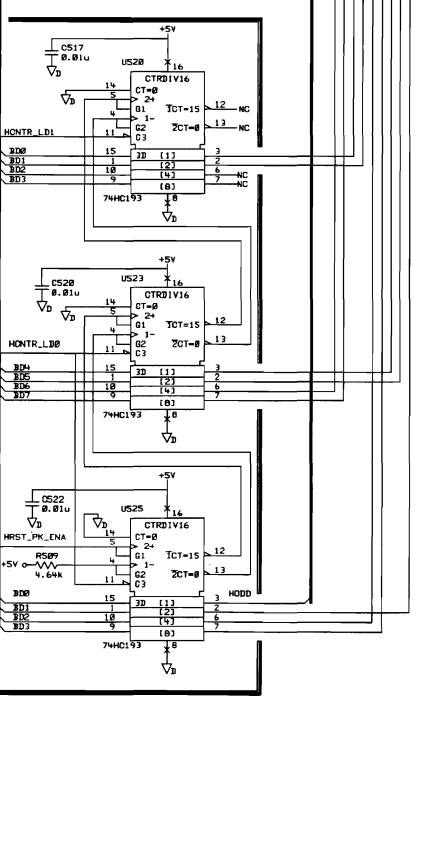
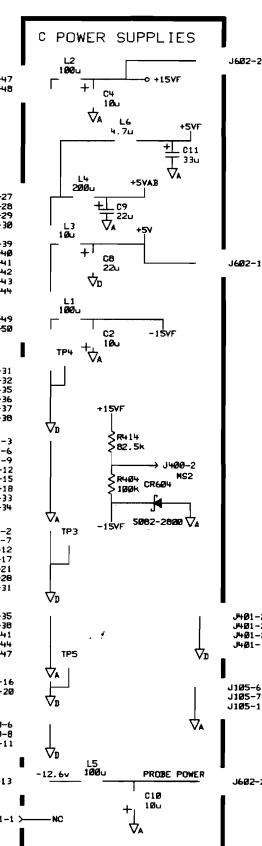
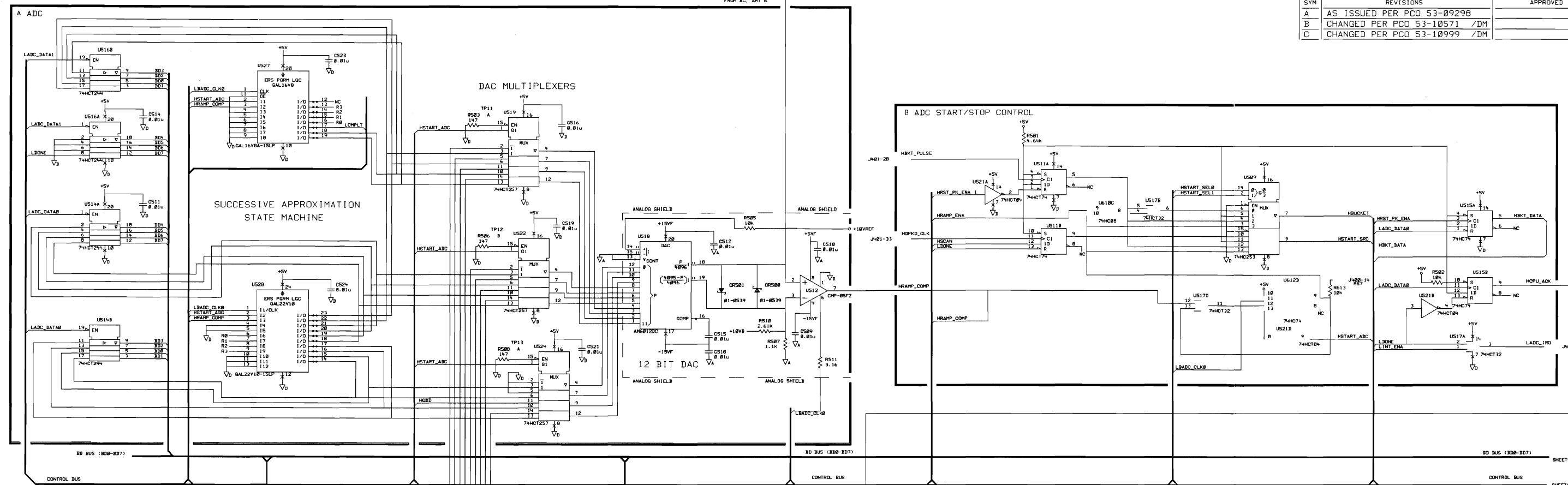
HATCHED PARTS ARE NOT LOADED FOR THIS ASSEMBLY.
RAW 8D - 08563-20078

AGILENT TECHNOLOGIES
RESTRICTED
THIS DOCUMENT CONTAINS CONFIDENTIAL, PROPRIETARY INFORMATION THAT IS AGILENT TECHNOLOGIES PROPERTY. DO NOT DISCLOSE TO OR DUPLICATE FOR OTHERS EXCEPT AS AUTHORIZED BY AGILENT TECHNOLOGIES.

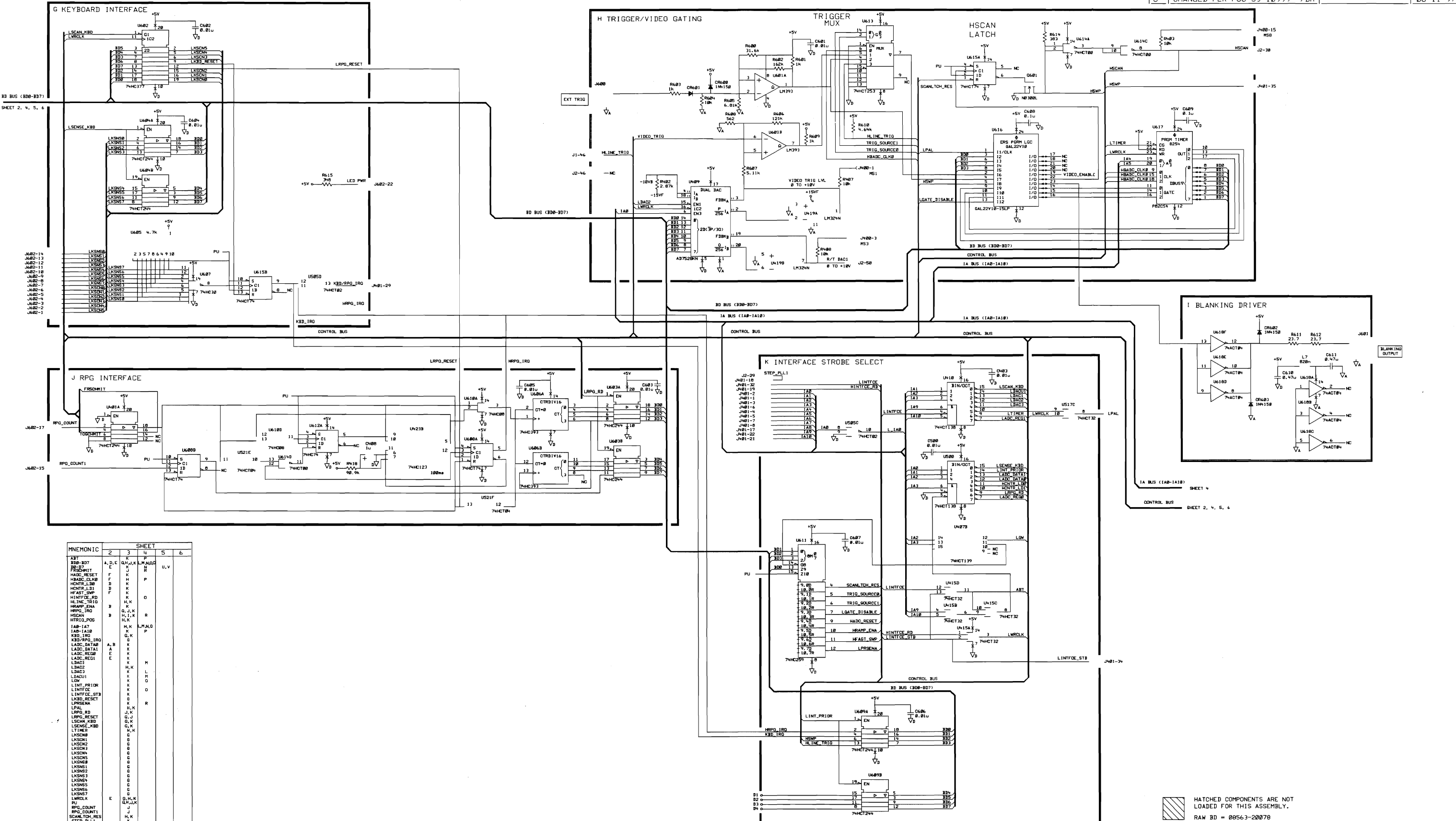
DRAWN BY	DATE
ENGINEER/CHECKER	DATE
RELEASE TO PROD.	DATE
SUPERSEDES DWG.	

SCHEMATIC, PWA
INTERFACE-FADD

FILENAME	siact098
SCALE	NONE
SHEET 1 OF 6	08563-60098 PART NUMBER
	08563-60098-1



MNEMONIC	2	3	4	5	6
800-807	A,D,E	G,H,K	L,M,N	U,V	
800-808	F	K	M		
800-809	F	K	M		
800-810	F	K	M		
800-811	F	K	M		
800-812	F	K	M		
800-813	F	K	M		
800-814	F	K	M		
800-815	F	K	M		
800-816	F	K	M		
800-817	F	K	M		
800-818	F	K	M		
800-819	F	K	M		
800-820	F	K	M		
800-821	F	K	M		
800-822	F	K	M		
800-823	F	K	M		
800-824	F	K	M		
800-825	F	K	M		
800-826	F	K	M		
800-827	F	K	M		
800-828	F	K	M		
800-829	F	K	M		
800-830	F	K	M		
800-831	F	K	M		
800-832	F	K	M		
800-833	F	K	M		
800-834	F	K	M		
800-835	F	K	M		
800-836	F	K	M		
800-837	F	K	M		
800-838	F	K	M		
800-839	F	K	M		
800-840	F	K	M		
800-841	F	K	M		
800-842	F	K	M		
800-843	F	K	M		
800-844	F	K	M		
800-845	F	K	M		
800-846	F	K	M		
800-847	F	K	M		
800-848	F	K	M		
800-849	F	K	M		
800-850	F	K	M		
800-851	F	K	M		
800-852	F	K	M		
800-853	F	K	M		
800-854	F	K	M		
800-855	F	K	M		
800-856	F	K	M		
800-857	F	K	M		
800-858	F	K	M		
800-859	F	K	M		
800-860	F	K	M		
800-861	F	K	M		
800-862	F	K	M		
800-863	F	K	M		
800-864	F	K	M		
800-865	F	K	M		
800-866	F	K	M		
800-867	F	K	M		
800-868	F	K	M		
800-869	F	K	M		
800-870	F	K	M		
800-871	F	K	M		
800-872	F	K	M		
800-873	F	K	M		
800-874	F	K	M		
800-875	F	K	M		
800-876	F	K	M		
800-877	F	K	M		
800-878	F	K	M		
800-879	F	K	M		
800-880	F	K	M		
800-881	F	K	M		
800-882	F	K	M		
800-883	F	K	M		
800-884	F	K	M		
800-885	F	K	M		
800-886	F	K	M		
800-887	F	K	M		
800-888	F	K	M		
800-889	F	K	M		
800-890	F	K	M		
800-891	F	K	M		
800-892	F	K	M		
800-893	F	K	M		
800-894	F	K	M		
800-895	F	K	M		
800-896	F	K	M		
800-897	F	K	M		
800-898	F	K	M		
800-899	F	K	M		
800-900	F	K	M		

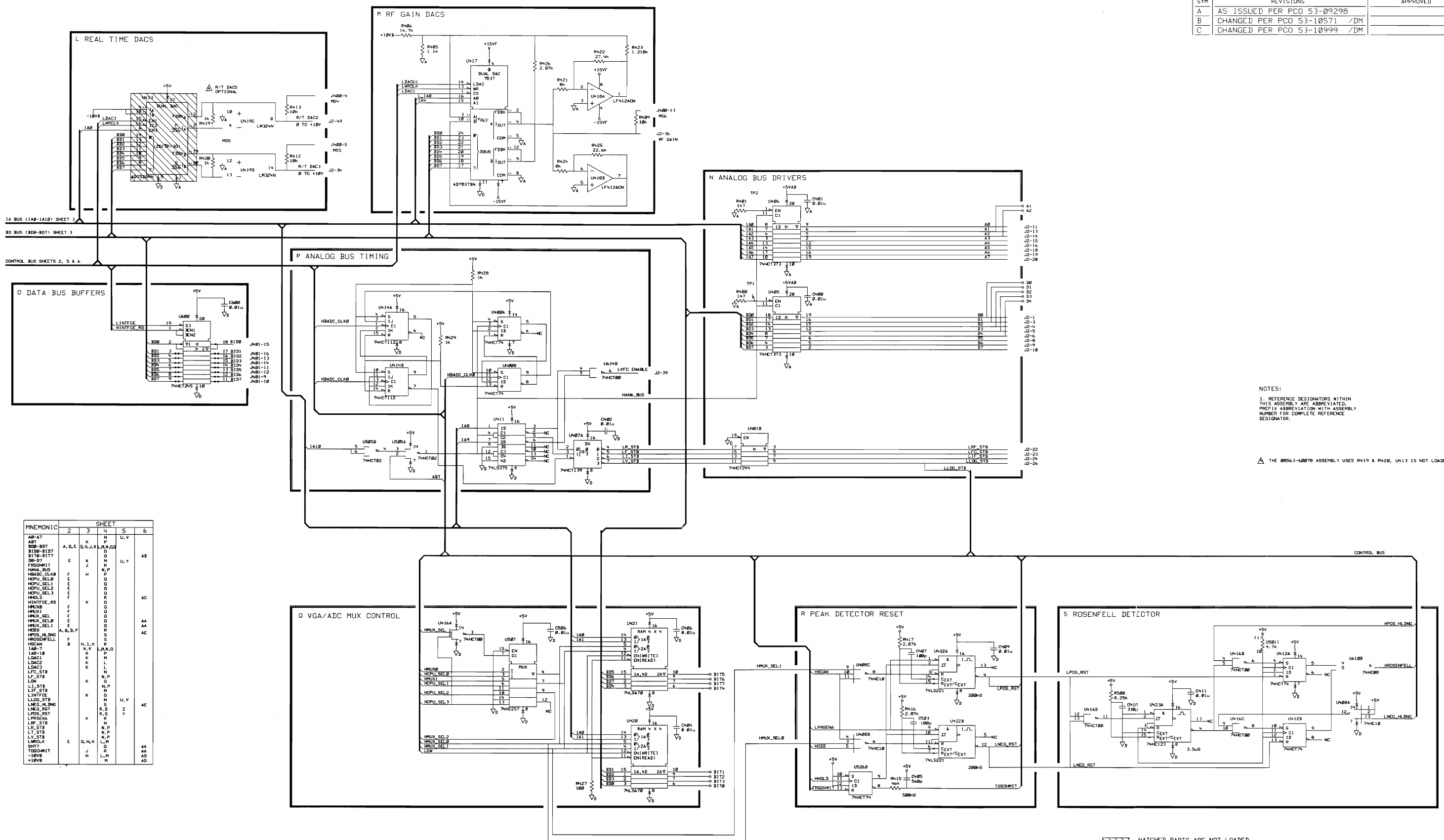


MNEMONIC	2	3	4	5	6
ABT					
308-307	A, D, E	Q, H, J, K	L, M, N, O	P, R	U, V
FRSCHMIT	F	K			
HADC_RESET	F	K			
HADC_CLKB	F	K			
HCONTR_L3B	B	K			
HCONTR_L31	B	K			
HFAST_SWP	F	K			
HINTFCE_RD	H, K				
HLINE_TRIG	H, K				
HRAMP_ENA	B	K, X			
HSPG_IRQ	B	H, I, X			
HTRIG_POS	H, K				
IAB-1A7	H, K				
IAB-1A18	H, K				
KB_IRO	K				
KB3/PPG_IRQ	K				
LADC_DATA1	A	K			
LADC_REGM	E	K			
LADC_REG1	E	K			
LADC2	K				
LADC3	K				
LADC4	K				
LINT_PRIOR	K				
LINTFCE	K				
LINTFCE_STB	K				
LINTFCE_RST	K				
LPRSENA	H, K				
LPAL	H, K				
LRPG_RD	J				
LRPG_RESET	J				
LSCAN_KBD	Q, K				
LSENSE_KBB	Q, K				
LTIMER	H, K				
LKSN0	G				
LKSN1	G				
LKSN2	G				
LKSN3	G				
LKSN4	G				
LKSN5	G				
LKSN6	G				
LKSN7	G				
LWRLK	E				
PPG_COUNT	J				
PPG_COUNT1	J				
SCAN_TCH_RES	H, K				
STEP_PLL1	J				
TOSCHMIT	J				
TRIG_SOURCEB	H, K				
TRIG_SOURCE1	H, K				
VIDEO_ENABLE	H, V				
VIDEO_TRIG	H				
-18V8	H				

HATCHED COMPONENTS ARE NOT LOADED FOR THIS ASSEMBLY.
RAW BD = 08563-20078

AGILENT TECHNOLOGIES RESTRICTED THIS DOCUMENT CONTAINS CONFIDENTIAL, PROPRIETARY INFORMATION THAT IS AGILENT TECHNOLOGIES' PROPERTY. DO NOT DISCLOSE TO OR DUPLICATE FOR OTHERS EXCEPT AS AUTHORIZED BY AGILENT TECHNOLOGIES.	DRAWN BY _____ DATE _____	SCHEMATIC, PWA INTERFACE-FAD0	s3act098 FILENAME _____	
	ENGINEER/CHECKER _____ DATE _____	SCALE NONE	Agilent Technologies	
	RELEASE TO PROD. _____ DATE _____	SHEET 3 OF 6	08563-60098 PART NUMBER	08563-60098-1
	SUPERSEDES DWG. _____	TITLE _____	08563-60098-1	08563-60098-1

5300 CA 3445		08563-60098-1	
SYM	REVISIONS	APPROVED	DATE
A	AS ISSUED PER PCO 53-09298		03-14-96
B	CHANGED PER PCO 53-10571 /DM		06-11-97
C	CHANGED PER PCO 53-10999 /DM		06-11-97



NOTES:
 1. REFERENCE DESIGNATORS WITHIN THIS ASSEMBLY ARE ABBREVIATED. PREFIX ABBREVIATION WITH ASSEMBLY NUMBER FOR COMPLETE REFERENCE DESIGNATOR.
 ▲ THE 08563-60078 ASSEMBLY USES R419 & R420. U413 IS NOT LOADED.

MNEMONIC	2	3	4	5	6
AB-A7					U,V
ABT					P
ABT-B97	A,D,E	G,H,J,K	M,N,O		AB
B100-B107					
B108-B117	E	K	J		U,Y
FRSCHMIT					
HANA_BUS	F	H	N,P		
HRADC_CLKB	F	H			
HRADC_SEL0	F	H			
HRADC_SEL1	F	H			
HRADC_SEL2	F	H			
HRADC_SEL3	F	H			
HRADC	F	H			
HINTFCE_RD	F	K			
HRM00	F				
HRM01	F				
HRM02	F				
HRM03	F				
HRM04	F				
HRM05	F				
HRM06	F				
HRM07	F				
HRM08	F				
HRM09	F				
HRM10	F				
HRM11	F				
HRM12	F				
HRM13	F				
HRM14	F				
HRM15	F				
HRM16	F				
HRM17	F				
HRM18	F				
HRM19	F				
HRM20	F				
HRM21	F				
HRM22	F				
HRM23	F				
HRM24	F				
HRM25	F				
HRM26	F				
HRM27	F				
HRM28	F				
HRM29	F				
HRM30	F				
HRM31	F				
HRM32	F				
HRM33	F				
HRM34	F				
HRM35	F				
HRM36	F				
HRM37	F				
HRM38	F				
HRM39	F				
HRM40	F				
HRM41	F				
HRM42	F				
HRM43	F				
HRM44	F				
HRM45	F				
HRM46	F				
HRM47	F				
HRM48	F				
HRM49	F				
HRM50	F				
HRM51	F				
HRM52	F				
HRM53	F				
HRM54	F				
HRM55	F				
HRM56	F				
HRM57	F				
HRM58	F				
HRM59	F				
HRM60	F				
HRM61	F				
HRM62	F				
HRM63	F				
HRM64	F				
HRM65	F				
HRM66	F				
HRM67	F				
HRM68	F				
HRM69	F				
HRM70	F				
HRM71	F				
HRM72	F				
HRM73	F				
HRM74	F				
HRM75	F				
HRM76	F				
HRM77	F				
HRM78	F				
HRM79	F				
HRM80	F				
HRM81	F				
HRM82	F				
HRM83	F				
HRM84	F				
HRM85	F				
HRM86	F				
HRM87	F				
HRM88	F				
HRM89	F				
HRM90	F				
HRM91	F				
HRM92	F				
HRM93	F				
HRM94	F				
HRM95	F				
HRM96	F				
HRM97	F				
HRM98	F				
HRM99	F				
HRM100	F				

HATCHED PARTS ARE NOT LOADED FOR THIS ASSEMBLY.
 RAW BD = 08563-20078

Scans by ArtekMedia => 2009

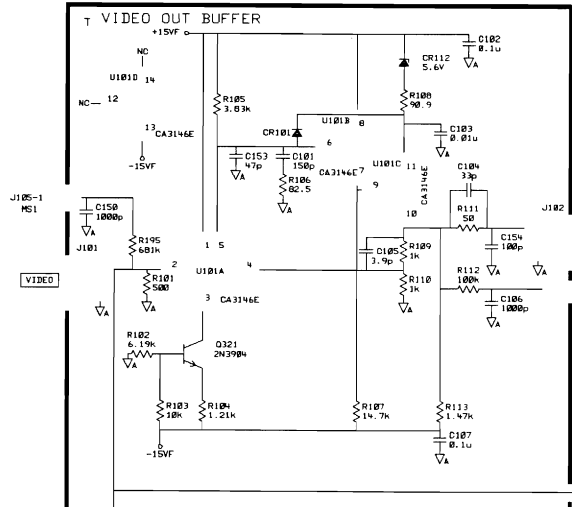
AGILENT TECHNOLOGIES
 RESTRICTED
 THIS DOCUMENT CONTAINS CONFIDENTIAL, PROPRIETARY INFORMATION THAT IS AGILENT TECHNOLOGIES PROPERTY. DO NOT DISCLOSE TO OR DUPLICATE FOR OTHERS EXCEPT AS AUTHORIZED BY AGILENT TECHNOLOGIES.

DRAWN BY	DATE
ENGINEER/CHECKER	DATE
RELEASE TO PROD.	DATE
SUPERSEDES DWG.	

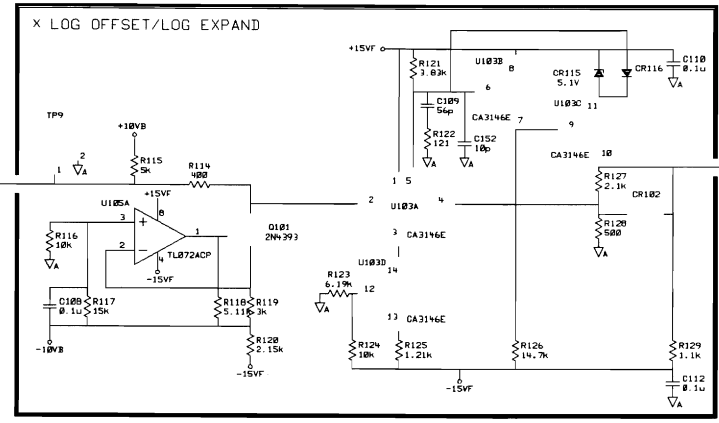
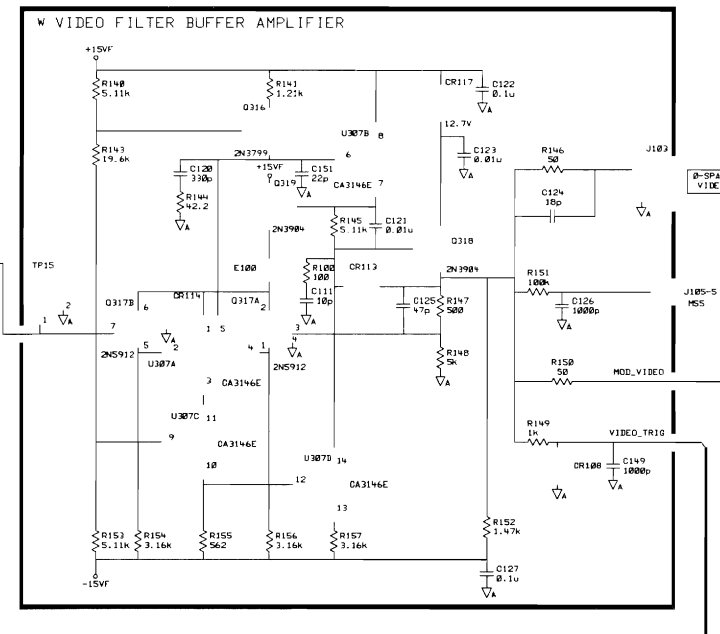
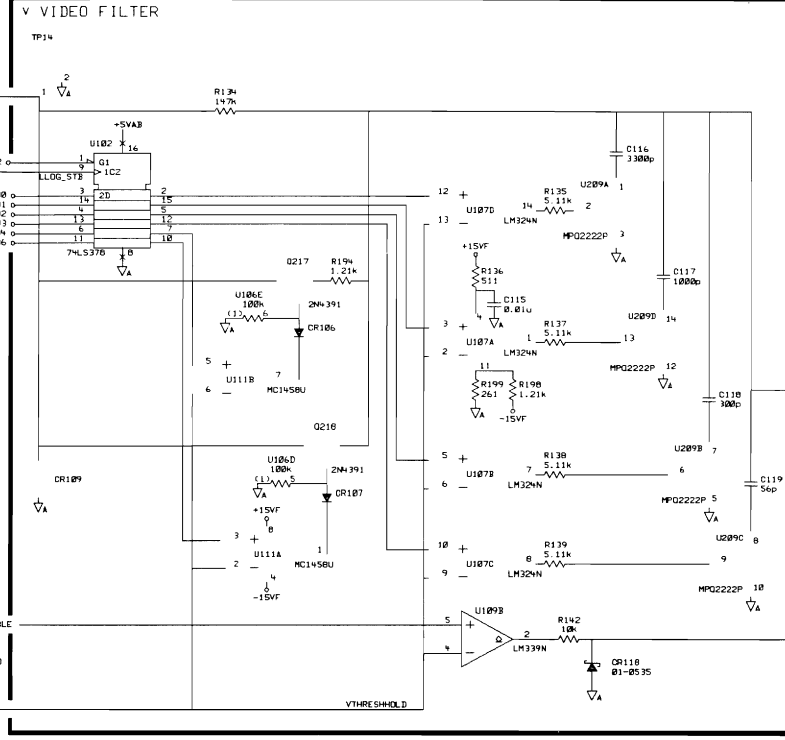
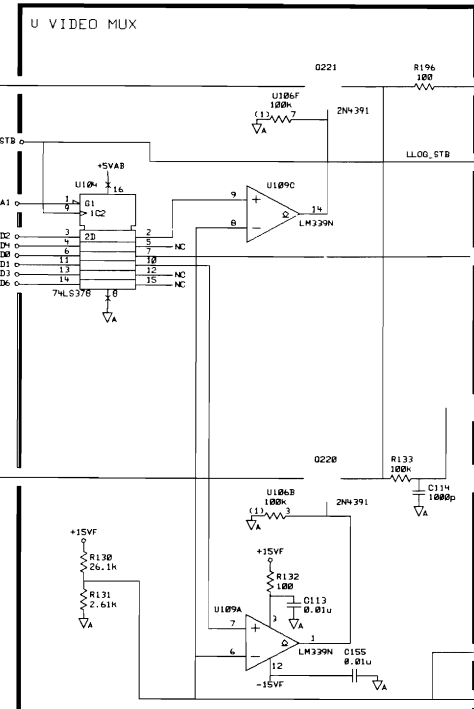
SHEMATIC, PWA
 INTERFACE-FADC

s4act098	FILENAME
NONE	SCALE
4 OF 6	SHEET
08563-60098	PART NUMBER
08563-60098-1	PART NUMBER

S300	CA 3445	08563-60098-1
SVN	REVISIONS	APPROVED
A	AS ISSUED PER PCO 53-09298	DATE
B	CHANGED PER PCO 53-10571 /DM	03-14-96
C	CHANGED PER PCO 53-10999 /DM	06-11-97
		06-11-97

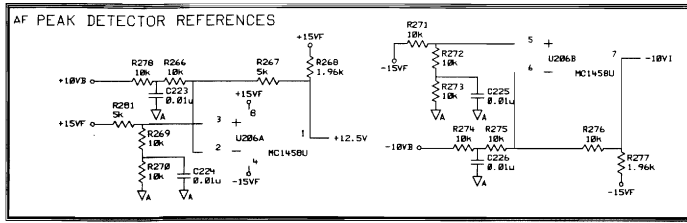
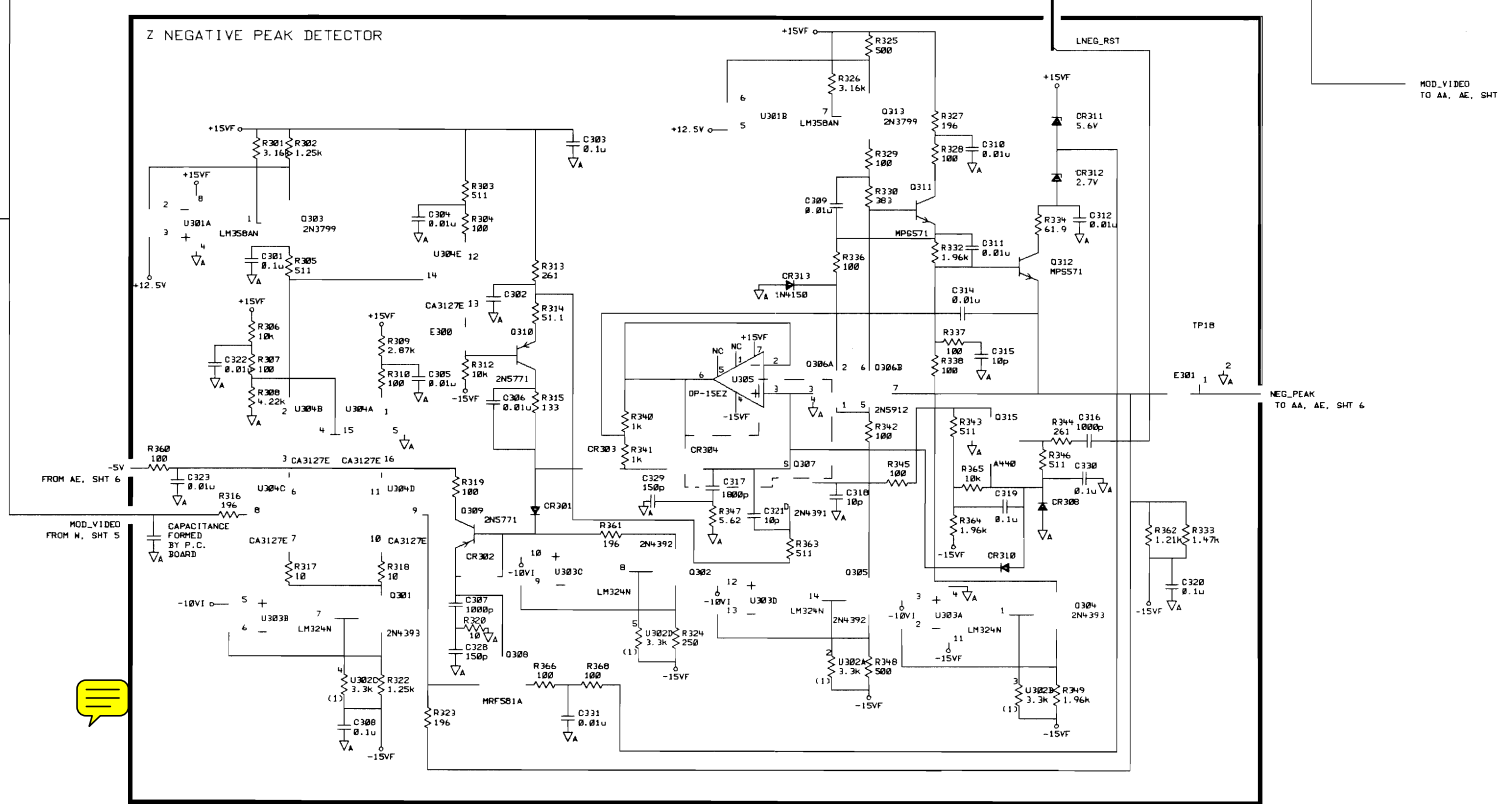
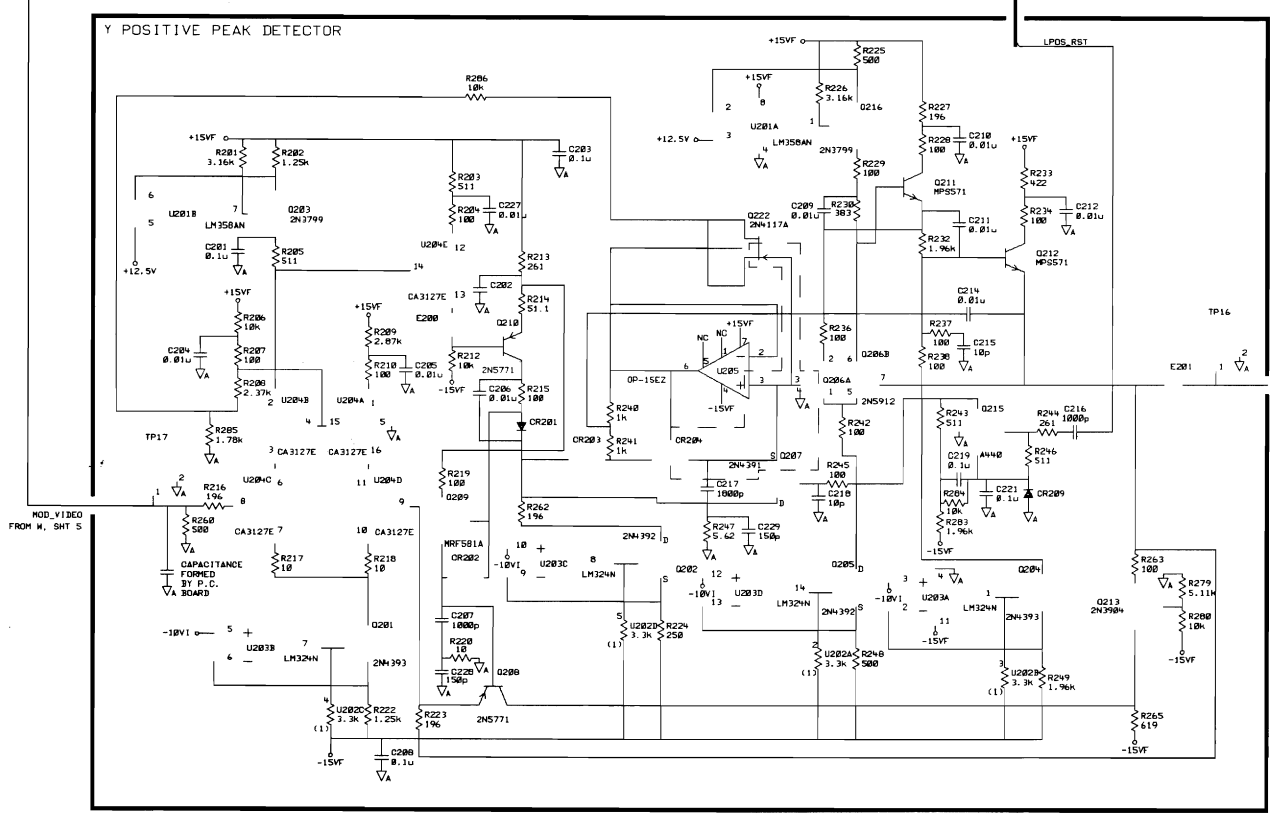


UNUSED PACKAGES



MNEMONIC	2	3	4	5	6
VIDEO_TRIG	H				
NEG_PEAK					
LNEG_RST		R, S	Z	AA, AE	
POS_PEAK		R, S	Y	AA, AE	
LPOS_RST		N	U, V, Z	AA, AE	
MOD_VIDEO		N	U		
LLOC_STB		A1			
ADC_RANGE		DB-7		U, V	AC
TO AC SHT 6		ADC_RANGE		U, V, Z	AC
THRESHOLD		+5V		Y, Z, AF	AC
TO AC SHT 6		+12.5V		Y, Z, AF	AC
VIDEO_ENABLE		+15V			

CONTROL BUS
SHEETS 2, 3, 4, 6

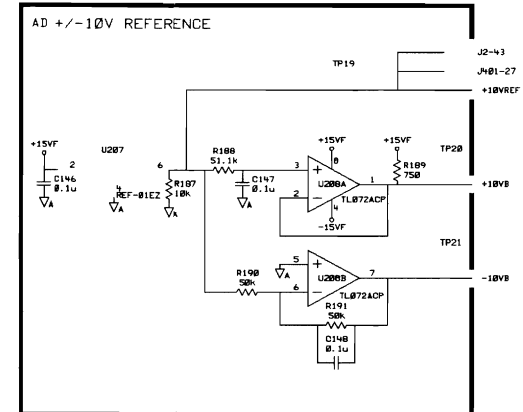
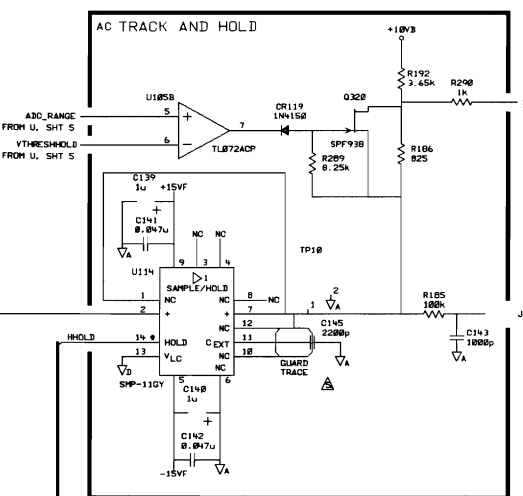
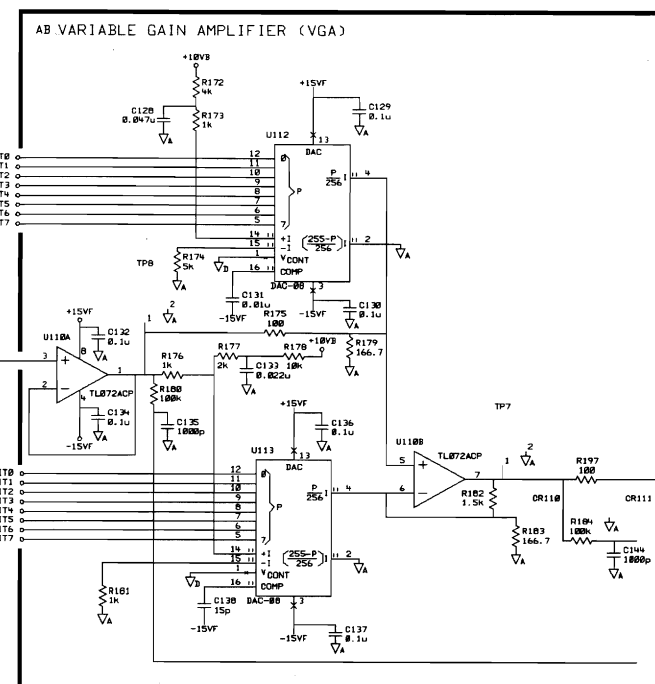
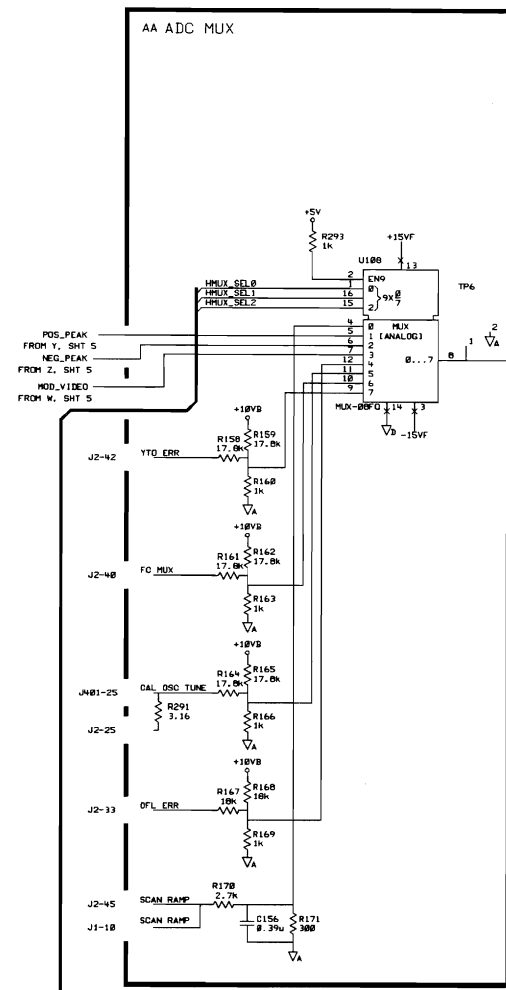


HATCHED PARTS ARE NOT LOADED FOR THIS ASSEMBLY.
RAW BD = 08563-20078

AGILENT TECHNOLOGIES RESTRICTED
THIS DOCUMENT CONTAINS CONFIDENTIAL PROPRIETARY INFORMATION THAT IS AGILENT TECHNOLOGIES PROPERTY. DO NOT DISCLOSE TO OR DUPLICATE FOR OTHERS EXCEPT AS AUTHORIZED BY AGILENT TECHNOLOGIES.

DRAWN BY	DATE	SCHEMATIC, PWA INTERFACE-FADD	sSact098
ENGINEER/CHECKER	DATE		
RELEASE TO PROD.	DATE	TITLE	Agilent Technologies
SUPERSEDES DWG.	DATE		
		SCALE NONE	
		SHEET 5 of 6	
		08563-60098 PART NUMBER	
		08563-60098-1	

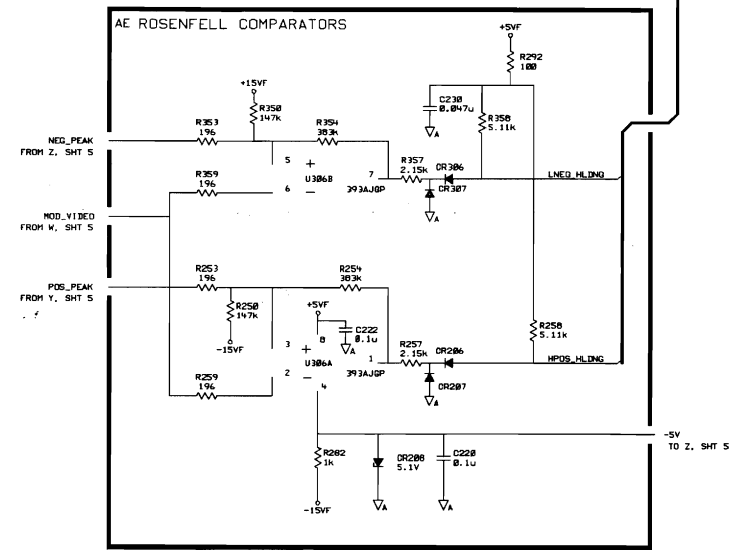
S300	CA 3445	08563-60098-1	
SYM	REVISIONS	APPROVED	DATE
A	AS ISSUED PER PCO 53-09298		03-14-96
B	CHANGED PER PCO 53-10571 /DM		06-11-97
C	CHANGED PER PCO 53-10999 /DM		06-11-97



U114 IS CONFIGURED SO THAT ALTERNATE PARTS MAY BE USED IN THE FUTURE. PIN 7 IS CONNECTED TO PIN 1 SO THAT THE FOLLOWING PARTS MAY BE USED:
 ANALOG DEVICES AD581
 HARRIS HA-242B/242S
 HARRIS HA-532B
 PIN 6 IS GROUNDING AND PIN 8 IS NOT CONNECTED FOR COMPATIBILITY WITH THE HA-532B.

MNEMONIC	SHEET			
	2	3	4	5
HPEX_SEL0	E			AA
HPEX_SEL1	E			AA
HPEX_SEL2	E			AA
MOD_VID0			W, Y, Z	AA, AE
MOD_VID1			Y	AA, AE
POS_PEAK				AA
BIT0-7				AB
HOLD	F			AD
SAMPLED_VID0	A			AC
+10VREF				AD
ADC_RANGE			U	AC
VTRESHOLD			S	AE
HPOS_HOLD			S	AE
LNED_HOLD			Z	AE

HATCHED PARTS ARE NOT LOADED FOR THIS ASSEMBLY.
 RAW BD = 08563-20078



SHEET 2, 4, & 5

CONTROL BUS

AGILENT TECHNOLOGIES
 RESTRICTED
 THIS DOCUMENT CONTAINS CONFIDENTIAL, PROPRIETARY INFORMATION THAT IS AGILENT TECHNOLOGIES PROPERTY. DO NOT DISCLOSE TO OR DUPLICATE FOR OTHERS EXCEPT AS AUTHORIZED BY AGILENT TECHNOLOGIES.

DRAWN BY	DATE
ENGINEER/CHECKER	DATE
RELEASE TO PROD.	DATE
SUPERSEDES DWG.	

SCHEMATIC, PWA
 INTERFACE-FADD

s6act098	Agilent Technologies
FILENAME	NONE
SCALE	6 of 6
SHEET	08563-60098
PART NUMBER	08563-60098-1

Component-Level Information Packet for 08563-60103

Log Amplifier/Cal Oscillator



HP Part No. 08563-90166
Printed in USA May 2000

Notice. The information contained in this document is subject to change without notice.

Hewlett-Packard makes no warranty of any kind with regard to this material, including, but not limited to, the implied warranties of merchantability and fitness for a particular purpose. Hewlett-Packard shall not be liable for errors contained herein or for incidental or consequential damages in connection with the furnishing, performance, or use of this material.

©Copyright Hewlett-Packard Company 1990, 1991, 1992, 1993, 1994, 1995, 1996
All Rights Reserved. Reproduction, adaptation, or translation without prior written permission is prohibited, except as allowed under the copyright laws.

HP Part Number 08563-60103
Log Amplifier/Cal Oscillator

Reference Designator	HP Part Number	Qty	Description	Mfr Code	Mfr Part Number
C1	0180-3334	1	CAP-FXD 100uF +-20% 50 V AL-ELCTLT	06360	SME50VB101M8X11LL
C2	0180-3334	1	CAP-FXD 100uF +-20% 50 V AL-ELCTLT	06360	SME50VB101M8X11LL
C7	0180-3849	1	CAP-FXD 47uF +-10% 10 V TA	12340	T398H476K010AS
C101	0160-3879	1	CAP-FXD 0.01uF +-20% 100 V CER X7R	06352	FD12X7R2A103M
C102	0160-4835	1	CAP-FXD 0.1uF +-10% 50 V CER X7R	02010	SA105C104KAAH
C103	0160-4835	1	CAP-FXD 0.1uF +-10% 50 V CER X7R	02010	SA105C104KAAH
C104	0160-4835	1	CAP-FXD 0.1uF +-10% 50 V CER X7R	02010	SA105C104KAAH
C105	0160-4835	1	CAP-FXD 0.1uF +-10% 50 V CER X7R	02010	SA105C104KAAH
C107	0160-4835	1	CAP-FXD 0.1uF +-10% 50 V CER X7R	02010	SA105C104KAAH
C108	0160-4835	1	CAP-FXD 0.1uF +-10% 50 V CER X7R	02010	SA105C104KAAH
C109	0160-4835	1	CAP-FXD 0.1uF +-10% 50 V CER X7R	02010	SA105C104KAAH
C110	0160-4835	1	CAP-FXD 0.1uF +-10% 50 V CER X7R	02010	SA105C104KAAH
C111	0160-4835	1	CAP-FXD 0.1uF +-10% 50 V CER X7R	02010	SA105C104KAAH
C112	0160-4832	1	CAP-FXD 0.01uF +-10% 100 V CER X7R	02010	SA101C103KAAH
C113	0160-4832	1	CAP-FXD 0.01uF +-10% 100 V CER X7R	02010	SA101C103KAAH
C114	0160-3879	1	CAP-FXD 0.01uF +-20% 100 V CER X7R	06352	FD12X7R2A103M
C115	0160-3879	1	CAP-FXD 0.01uF +-20% 100 V CER X7R	06352	FD12X7R2A103M
C201	0160-4574	1	CAP-FXD 1000pF +-10% 100 V CER X7R	02010	SA101C102KAAH
C202	0160-4832	1	CAP-FXD 0.01uF +-10% 100 V CER X7R	02010	SA101C103KAAH
C203	0160-4835	1	CAP-FXD 0.1uF +-10% 50 V CER X7R	02010	SA105C104KAAH
C204	0160-4832	1	CAP-FXD 0.01uF +-10% 100 V CER X7R	02010	SA101C103KAAH
C205	0160-4574	1	CAP-FXD 1000pF +-10% 100 V CER X7R	02010	SA101C102KAAH
C207	0160-4832	1	CAP-FXD 0.01uF +-10% 100 V CER X7R	02010	SA101C103KAAH
C208	0160-4835	1	CAP-FXD 0.1uF +-10% 50 V CER X7R	02010	SA105C104KAAH
C209	0160-4832	1	CAP-FXD 0.01uF +-10% 100 V CER X7R	02010	SA101C103KAAH
C210	0160-4832	1	CAP-FXD 0.01uF +-10% 100 V CER X7R	02010	SA101C103KAAH
C211	0160-4835	1	CAP-FXD 0.1uF +-10% 50 V CER X7R	02010	SA105C104KAAH
C212	0160-3879	1	CAP-FXD 0.01uF +-20% 100 V CER X7R	06352	FD12X7R2A103M
C213	0160-4574	1	CAP-FXD 1000pF +-10% 100 V CER X7R	02010	SA101C102KAAH
C215	0160-4832	1	CAP-FXD 0.01uF +-10% 100 V CER X7R	02010	SA101C103KAAH
C216	0160-4835	1	CAP-FXD 0.1uF +-10% 50 V CER X7R	02010	SA105C104KAAH
C217	0160-4835	1	CAP-FXD 0.1uF +-10% 50 V CER X7R	02010	SA105C104KAAH
C218	0160-4835	1	CAP-FXD 0.1uF +-10% 50 V CER X7R	02010	SA105C104KAAH
C219	0160-4835	1	CAP-FXD 0.1uF +-10% 50 V CER X7R	02010	SA105C104KAAH
C220	0160-4832	1	CAP-FXD 0.01uF +-10% 100 V CER X7R	02010	SA101C103KAAH

*Indicates factory-selected value

CLIP 08563-90166 1

HP Part Number 08563-60103
Log Amplifier/Cal Oscillator (continued)

Reference Designator	HP Part Number	Qty	Description	Mfr Code	Mfr Part Number
C222	0160-4832	1	CAP-FXD 0.01uF +-10% 100 V CER X7R	02010	SA101C103KAAH
C223	0160-3879	1	CAP-FXD 0.01uF +-20% 100 V CER X7R	06352	FD12X7R2A103M
C224	0160-4835	1	CAP-FXD 0.1uF +-10% 50 V CER X7R	02010	SA105C104KAAH
C226	0160-4835	1	CAP-FXD 0.1uF +-10% 50 V CER X7R	02010	SA105C104KAAH
C227	0160-4795	1	CAP-FXD 4.7pF +-10.64% 100 V CER C0G	02010	SA102A4R7DAAH
C228	0160-4832	1	CAP-FXD 0.01uF +-10% 100 V CER X7R	02010	SA101C103KAAH
C229	0160-4802	1	CAP-FXD 82pF +-5% 100 V CER C0G	02010	SA101A820JAA
C230	0160-4825	1	CAP-FXD 560pF +-5% 100 V CER C0G	02010	SA101A561JAAH
C231	0160-4832	1	CAP-FXD 0.01uF +-10% 100 V CER X7R	02010	SA101C103KAAH
C232	0160-4832	1	CAP-FXD 0.01uF +-10% 100 V CER X7R	02010	SA101C103KAAH
C233	0160-4832	1	CAP-FXD 0.01uF +-10% 100 V CER X7R	02010	SA101C103KAAH
C234	0160-4832	1	CAP-FXD 0.01uF +-10% 100 V CER X7R	02010	SA101C103KAAH
C235	0160-3879	1	CAP-FXD 0.01uF +-20% 100 V CER X7R	06352	FD12X7R2A103M
C236	0160-3879	1	CAP-FXD 0.01uF +-20% 100 V CER X7R	06352	FD12X7R2A103M
C237	0160-4835	1	CAP-FXD 0.1uF +-10% 50 V CER X7R	02010	SA105C104KAAH
C238	0160-5913	1	CAP-FXD 36pF +-5% 200 V CER C0G	06352	DA12C0G2D360J
C239	0160-3879	1	CAP-FXD 0.01uF +-20% 100 V CER X7R	06352	FD12X7R2A103M
C240	0160-4832	1	CAP-FXD 0.01uF +-10% 100 V CER X7R	02010	SA101C103KAAH
C241	0160-4832	1	CAP-FXD 0.01uF +-10% 100 V CER X7R	02010	SA101C103KAAH
C301	0160-6351	1	CAP-FXD 0.22uF +80% -20% 50 V CER Y5V	12340	C322C224Z5U5CA
C302	0160-3879	1	CAP-FXD 0.01uF +-20% 100 V CER X7R	06352	FD12X7R2A103M
C304	0160-4801	1	CAP-FXD 100pF +-5% 100 V CER C0G	02010	SA102A101JAAH
C305	0160-6351	1	CAP-FXD 0.22uF +80% -20% 50 V CER Y5V	12340	C322C224Z5U5CA
C306	0160-3879	1	CAP-FXD 0.01uF +-20% 100 V CER X7R	06352	FD12X7R2A103M
C310	0160-4801	1	CAP-FXD 100pF +-5% 100 V CER C0G	02010	SA102A101JAAH
C311	0160-6351	1	CAP-FXD 0.22uF +80% -20% 50 V CER Y5V	12340	C322C224Z5U5CA
C312	0160-3879	1	CAP-FXD 0.01uF +-20% 100 V CER X7R	06352	FD12X7R2A103M
C314	0160-4801	1	CAP-FXD 100pF +-5% 100 V CER C0G	02010	SA102A101JAAH
C316	0160-6351	1	CAP-FXD 0.22uF +80% -20% 50 V CER Y5V	12340	C322C224Z5U5CA
C317	0160-3879	1	CAP-FXD 0.01uF +-20% 100 V CER X7R	06352	FD12X7R2A103M
C319	0160-4801	1	CAP-FXD 100pF +-5% 100 V CER C0G	02010	SA102A101JAAH
C321	0160-4832	1	CAP-FXD 0.01uF +-10% 100 V CER X7R	02010	SA101C103KAAH
C322	0160-6418	1	CAP-FXD 2000pF +-5% 100 V CER C0G	02010	MA401A202JAA
C324	0160-6351	1	CAP-FXD 0.22uF +80% -20% 50 V CER Y5V	12340	C322C224Z5U5CA
C325	0160-3879	1	CAP-FXD 0.01uF +-20% 100 V CER X7R	06352	FD12X7R2A103M

HP Part Number 08563-60103
Log Amplifier/Cal Oscillator (continued)

Reference Designator	HP Part Number	Qty	Description	Mfr Code	Mfr Part Number
C326	0160-4832	1	CAP-FXD 0.01uF +-10% 100 V CER X7R	02010	SA101C103KAAH
C327	0160-4832	1	CAP-FXD 0.01uF +-10% 100 V CER X7R	02010	SA101C103KAAH
C329	0160-4801	1	CAP-FXD 100pF +-5% 100 V CER C0G	02010	SA102A101JAAH
C330	0160-6351	1	CAP-FXD 0.22uF +80% -20% 50 V CER Y5V	12340	C322C224Z5U5CA
C331	0160-3879	1	CAP-FXD 0.01uF +-20% 100 V CER X7R	06352	FD12X7R2A103M
C333	0160-4801	1	CAP-FXD 100pF +-5% 100 V CER C0G	02010	SA102A101JAAH
C335	0160-6351	1	CAP-FXD 0.22uF +80% -20% 50 V CER Y5V	12340	C322C224Z5U5CA
C336	0160-3879	1	CAP-FXD 0.01uF +-20% 100 V CER X7R	06352	FD12X7R2A103M
C339	0160-4801	1	CAP-FXD 100pF +-5% 100 V CER C0G	02010	SA102A101JAAH
C340	0160-4832	1	CAP-FXD 0.01uF +-10% 100 V CER X7R	02010	SA101C103KAAH
C341	0160-4832	1	CAP-FXD 0.01uF +-10% 100 V CER X7R	02010	SA101C103KAAH
C342	0160-4832	1	CAP-FXD 0.01uF +-10% 100 V CER X7R	02010	SA101C103KAAH
C343	0160-4832	1	CAP-FXD 0.01uF +-10% 100 V CER X7R	02010	SA101C103KAAH
C344	0160-4832	1	CAP-FXD 0.01uF +-10% 100 V CER X7R	02010	SA101C103KAAH
C345	0160-4832	1	CAP-FXD 0.01uF +-10% 100 V CER X7R	02010	SA101C103KAAH
C346	0160-4832	1	CAP-FXD 0.01uF +-10% 100 V CER X7R	02010	SA101C103KAAH
C347	0160-4832	1	CAP-FXD 0.01uF +-10% 100 V CER X7R	02010	SA101C103KAAH
C348	0160-4832	1	CAP-FXD 0.01uF +-10% 100 V CER X7R	02010	SA101C103KAAH
C349	0160-4832	1	CAP-FXD 0.01uF +-10% 100 V CER X7R	02010	SA101C103KAAH
C350	0160-4832	1	CAP-FXD 0.01uF +-10% 100 V CER X7R	02010	SA101C103KAAH
C351	0160-4832	1	CAP-FXD 0.01uF +-10% 100 V CER X7R	02010	SA101C103KAAH
C352	0160-4832	1	CAP-FXD 0.01uF +-10% 100 V CER X7R	02010	SA101C103KAAH
C401	0160-5616	1	CAP-FXD 620pF +-5% 100 V CER C0G	02010	CAC03C0G621J100A
C402	0160-5699	1	CAP-FXD 20pF +-5% 100 V CER C0G	06352	DA12C0G2A200J
C403	0160-3879	1	CAP-FXD 0.01uF +-20% 100 V CER X7R	06352	FD12X7R2A103M
C404	0160-3879	1	CAP-FXD 0.01uF +-20% 100 V CER X7R	06352	FD12X7R2A103M
C405	0160-3879	1	CAP-FXD 0.01uF +-20% 100 V CER X7R	06352	FD12X7R2A103M
C406	0160-5616	1	CAP-FXD 620pF +-5% 100 V CER C0G	02010	CAC03C0G621J100A
C408	0160-4832	1	CAP-FXD 0.01uF +-10% 100 V CER X7R	02010	SA101C103KAAH
C409	0160-3879	1	CAP-FXD 0.01uF +-20% 100 V CER X7R	06352	FD12X7R2A103M
C410	0160-3879	1	CAP-FXD 0.01uF +-20% 100 V CER X7R	06352	FD12X7R2A103M
C411	0160-3879	1	CAP-FXD 0.01uF +-20% 100 V CER X7R	06352	FD12X7R2A103M
C412	0160-5699	1	CAP-FXD 20pF +-5% 100 V CER C0G	06352	DA12C0G2A200J
C413	0160-3879	1	CAP-FXD 0.01uF +-20% 100 V CER X7R	06352	FD12X7R2A103M
C414	0160-3879	1	CAP-FXD 0.01uF +-20% 100 V CER X7R	06352	FD12X7R2A103M

*Indicates factory-selected value

HP Part Number 08563-60103
Log Amplifier/Cal Oscillator (continued)

Reference Designator	HP Part Number	Qty	Description	Mfr Code	Mfr Part Number
C415	0160-3879	1	CAP-FXD 0.01uF +-20% 100 V CER X7R	06352	FD12X7R2A103M
C417	0160-4811	1	CAP-FXD 270pF +-5% 100 V CER C0G	02010	SA101A271JAAH
C418	0160-4804	1	CAP-FXD 56pF +-5% 100 V CER C0G	02010	SA102A560JAAH
C419	0160-6146	1	CAP-FXD 910pF +-5% 100 V CER C0G	02010	SA201A911JAAH
C421	0160-5799	1	CAP-FXD 43pF +-5% 200 V CER C0G	02010	SA102A430JAAH
C423	0160-5699	1	CAP-FXD 20pF +-5% 100 V CER C0G	06352	DA12C0G2A200J
C424	0160-4805	1	CAP-FXD 47pF +-5% 100 V CER C0G	02010	SA102A470JAAH
C425	0160-4801	1	CAP-FXD 100pF +-5% 100 V CER C0G	02010	SA102A101JAAH
C426	0160-3873	1	CAP-FXD 4.7pF +-10.64% 200 V CER C0G	06352	FD12C0G2D4R7D
C501	0160-4832	1	CAP-FXD 0.01uF +-10% 100 V CER X7R	02010	SA101C103KAAH
C502	0160-4813	1	CAP-FXD 180pF +-5% 100 V CER C0G	02010	SA101A181JAAH
C503	0160-4835	1	CAP-FXD 0.1uF +-10% 50 V CER X7R	02010	SA105C104KAAH
C504	0160-4832	1	CAP-FXD 0.01uF +-10% 100 V CER X7R	02010	SA101C103KAAH
C506	0160-4832	1	CAP-FXD 0.01uF +-10% 100 V CER X7R	02010	SA101C103KAAH
C507	0160-4835	1	CAP-FXD 0.1uF +-10% 50 V CER X7R	02010	SA105C104KAAH
C508	0160-4795	1	CAP-FXD 4.7pF +-10.64% 100 V CER C0G	02010	SA102A4R7DAAH
C509	0160-4832	1	CAP-FXD 0.01uF +-10% 100 V CER X7R	02010	SA101C103KAAH
C510	0160-4574	1	CAP-FXD 1000pF +-10% 100 V CER X7R	02010	SA101C102KAAH
C511	0160-4832	1	CAP-FXD 0.01uF +-10% 100 V CER X7R	02010	SA101C103KAAH
C514	0160-4832	1	CAP-FXD 0.01uF +-10% 100 V CER X7R	02010	SA101C103KAAH
C516	0160-4832	1	CAP-FXD 0.01uF +-10% 100 V CER X7R	02010	SA101C103KAAH
C517	0160-4832	1	CAP-FXD 0.01uF +-10% 100 V CER X7R	02010	SA101C103KAAH
C522	0160-4835	1	CAP-FXD 0.1uF +-10% 50 V CER X7R	02010	SA105C104KAAH
C523	0160-4835	1	CAP-FXD 0.1uF +-10% 50 V CER X7R	02010	SA105C104KAAH
C524	0160-4832	1	CAP-FXD 0.01uF +-10% 100 V CER X7R	02010	SA101C103KAAH
C525	0160-4832	1	CAP-FXD 0.01uF +-10% 100 V CER X7R	02010	SA101C103KAAH
C526	0160-4832	1	CAP-FXD 0.01uF +-10% 100 V CER X7R	02010	SA101C103KAAH
C527	0160-5699	1	CAP-FXD 20pF +-5% 100 V CER C0G	06352	DA12C0G2A200J
C528	0160-4791	1	CAP-FXD 10pF +-5% 100 V CER C0G	02010	SA101A100JAA
C529	0160-4801	1	CAP-FXD 100pF +-5% 100 V CER C0G	02010	SA102A101JAAH
C530	0160-4832	1	CAP-FXD 0.01uF +-10% 100 V CER X7R	02010	SA101C103KAAH
C601	0160-4832	1	CAP-FXD 0.01uF +-10% 100 V CER X7R	02010	SA101C103KAAH
C602	0160-4791	1	CAP-FXD 10pF +-5% 100 V CER C0G	02010	SA101A100JAA
C603	0160-4832	1	CAP-FXD 0.01uF +-10% 100 V CER X7R	02010	SA101C103KAAH
C604	0160-4832	1	CAP-FXD 0.01uF +-10% 100 V CER X7R	02010	SA101C103KAAH

HP Part Number 08563-60103
Log Amplifier/Cal Oscillator (continued)

Reference Designator	HP Part Number	Qty	Description	Mfr Code	Mfr Part Number
C605	0160-6741	1	CAP-FXD 0.01uF +-2% 50 V CER C0G	02010	SA405A103GAAH
C606	0160-6741	1	CAP-FXD 0.01uF +-2% 50 V CER C0G	02010	SA405A103GAAH
C607	0160-4835	1	CAP-FXD 0.1uF +-10% 50 V CER X7R	02010	SA105C104KAAH
C608	0160-4835	1	CAP-FXD 0.1uF +-10% 50 V CER X7R	02010	SA105C104KAAH
C609	0160-6741	1	CAP-FXD 0.01uF +-2% 50 V CER C0G	02010	SA405A103GAAH
C610	0160-6741	1	CAP-FXD 0.01uF +-2% 50 V CER C0G	02010	SA405A103GAAH
C611	0160-4832	1	CAP-FXD 0.01uF +-10% 100 V CER X7R	02010	SA101C103KAAH
C612	0160-6557	1	CAP-FXD 0.1uF +-5% 50 V POLYC-MET	05176	HEW747-100NF+/-5%50V
C613	0160-6557	1	CAP-FXD 0.1uF +-5% 50 V POLYC-MET	05176	HEW747-100NF+/-5%50V
C701	0160-4832	1	CAP-FXD 0.01uF +-10% 100 V CER X7R	02010	SA101C103KAAH
C702	0160-4832	1	CAP-FXD 0.01uF +-10% 100 V CER X7R	02010	SA101C103KAAH
C703	0160-4832	1	CAP-FXD 0.01uF +-10% 100 V CER X7R	02010	SA101C103KAAH
C704	0160-4832	1	CAP-FXD 0.01uF +-10% 100 V CER X7R	02010	SA101C103KAAH
C705	0160-4802	1	CAP-FXD 82pF +-5% 100 V CER C0G	02010	SA101A820JAA
C706	0180-4136	1	CAP-FXD 10uF +-10% 20 V TA	02010	TAR2106K020
C707	0121-0046	1	CAP-VAR 35pF 9pF 200 V CER	01468	304-322-573
C709	0160-4832	1	CAP-FXD 0.01uF +-10% 100 V CER X7R	02010	SA101C103KAAH
C710	0160-4832	1	CAP-FXD 0.01uF +-10% 100 V CER X7R	02010	SA101C103KAAH
C711	0160-4832	1	CAP-FXD 0.01uF +-10% 100 V CER X7R	02010	SA101C103KAAH
C712	0160-4832	1	CAP-FXD 0.01uF +-10% 100 V CER X7R	02010	SA101C103KAAH
C713	0160-4835	1	CAP-FXD 0.1uF +-10% 50 V CER X7R	02010	SA105C104KAAH
C714	0160-4835	1	CAP-FXD 0.1uF +-10% 50 V CER X7R	02010	SA105C104KAAH
C715	0160-4835	1	CAP-FXD 0.1uF +-10% 50 V CER X7R	02010	SA105C104KAAH
C716	0160-4835	1	CAP-FXD 0.1uF +-10% 50 V CER X7R	02010	SA105C104KAAH
C717	0160-4835	1	CAP-FXD 0.1uF +-10% 50 V CER X7R	02010	SA105C104KAAH
C719	0160-4832	1	CAP-FXD 0.01uF +-10% 100 V CER X7R	02010	SA101C103KAAH
C720	0160-4835	1	CAP-FXD 0.1uF +-10% 50 V CER X7R	02010	SA105C104KAAH
C721	0180-3815	1	CAP-FXD 1000uF +-20% 6.3 V AL-ELCTLT	13149	SME6R3VB102M10X12LL
C722	0160-4835	1	CAP-FXD 0.1uF +-10% 50 V CER X7R	02010	SA105C104KAAH
C723	0160-4835	1	CAP-FXD 0.1uF +-10% 50 V CER X7R	02010	SA105C104KAAH
C724	0180-3628	1	CAP-FXD 220uF +-20% 16 V AL-ELCTLT	06360	SME16VB221M8X11LL
C725	0160-4835	1	CAP-FXD 0.1uF +-10% 50 V CER X7R	02010	SA105C104KAAH
C726	0160-4835	1	CAP-FXD 0.1uF +-10% 50 V CER X7R	02010	SA105C104KAAH
C727	0180-3847	1	CAP-FXD 22uF +-10% 25 V TA	02010	TAL226K025
C801	0160-6557	1	CAP-FXD 0.1uF +-5% 50 V POLYC-MET	05176	HEW747-100NF+/-5%50V

*Indicates factory-selected value

HP Part Number 08563-60103
Log Amplifier/Cal Oscillator (continued)

Reference Designator	HP Part Number	Qty	Description	Mfr Code	Mfr Part Number
C802	0160-6556	1	CAP-FXD 0.015uF +-5% 100 V POLYE-MET	05176	PFC-15NF+/-5%100V
C803	0160-4835	1	CAP-FXD 0.1uF +-10% 50 V CER X7R	02010	SA105C104KAAH
C804	0160-4819	1	CAP-FXD 2200pF +-5% 100 V CER C0G	02010	SA301A222JAAH
C805	0160-4833	1	CAP-FXD 0.022uF +-10% 100 V CER X7R	02010	SA201C223KAAH
C806	0160-4832	1	CAP-FXD 0.01uF +-10% 100 V CER X7R	02010	SA101C103KAAH
C807	0180-3844	1	CAP-FXD 3.3uF +-10% 35 V TA	12340	T398D335K035AS
C808	0160-4810	1	CAP-FXD 330pF +-5% 100 V CER C0G	02010	SA101A331JAAH
C809	0160-4810	1	CAP-FXD 330pF +-5% 100 V CER C0G	02010	SA101A331JAAH
C810	0180-3844	1	CAP-FXD 3.3uF +-10% 35 V TA	12340	T398D335K035AS
C811	0160-5422	1	CAP-FXD 0.047uF +-20% 50 V CER X7R	02010	SA205C473MAAH
C812	0160-5422	1	CAP-FXD 0.047uF +-20% 50 V CER X7R	02010	SA205C473MAAH
C813	0160-4835	1	CAP-FXD 0.1uF +-10% 50 V CER X7R	02010	SA105C104KAAH
C814	0160-4801	1	CAP-FXD 100pF +-5% 100 V CER C0G	02010	SA102A101JAAH
C815	0160-4832	1	CAP-FXD 0.01uF +-10% 100 V CER X7R	02010	SA101C103KAAH
C816	0160-4835	1	CAP-FXD 0.1uF +-10% 50 V CER X7R	02010	SA105C104KAAH
C817	0160-4786	1	CAP-FXD 27pF +-5% 100 V CER C0G	02010	SA101A270JAA
C818	0160-4797	1	CAP-FXD 3.3pF +-7.58% 100 V CER C0G	02010	MA101A3R3CAA
C819	0160-4805	1	CAP-FXD 47pF +-5% 100 V CER C0G	02010	SA102A470JAAH
C820	0160-4792	1	CAP-FXD 8.2pF +-6.1% 100 V CER C0G	02010	SA101A8R2DAA
C821	0160-4832	1	CAP-FXD 0.01uF +-10% 100 V CER X7R	02010	SA101C103KAAH
C822	0160-4806	1	CAP-FXD 39pF +-5% 100 V CER C0G	02010	SA102A390JAAH
C823	0160-4835	1	CAP-FXD 0.1uF +-10% 50 V CER X7R	02010	SA105C104KAAH
C824	0160-4787	1	CAP-FXD 22pF +-5% 100 V CER C0G	02010	SA101A220JAA
C825	0160-4835	1	CAP-FXD 0.1uF +-10% 50 V CER X7R	02010	SA105C104KAAH
C826	0160-4846	1	CAP-FXD 1500pF +-5% 100 V CER C0G	02010	SA201A152JAAH
C827	0160-4832	1	CAP-FXD 0.01uF +-10% 100 V CER X7R	02010	SA101C103KAAH
C828	0160-4835	1	CAP-FXD 0.1uF +-10% 50 V CER X7R	02010	SA105C104KAAH
C829	0160-4835	1	CAP-FXD 0.1uF +-10% 50 V CER X7R	02010	SA105C104KAAH
C830	0160-4835	1	CAP-FXD 0.1uF +-10% 50 V CER X7R	02010	SA105C104KAAH
C831	0160-4832	1	CAP-FXD 0.01uF +-10% 100 V CER X7R	02010	SA101C103KAAH
C832	0160-4832	1	CAP-FXD 0.01uF +-10% 100 V CER X7R	02010	SA101C103KAAH
CR101	1902-0958	1	DIODE-ZNR 10V 5% DO-35 PD=.4W TC=+.075%	02688	1N961B
CR102	1901-1098	1	DIODE-SWITCHING 1N4150 50V 200MA 4NS	00746	1901-1098
CR103	1901-1279	1	DIODE-SCHOTTKY 60V 1NS DO-34	02910	BAT83
CR201	1901-1117	1	DIODE-SWITCHING 30V	00746	1SS135

HP Part Number 08563-60103
Log Amplifier/Cal Oscillator (continued)

Reference Designator	HP Part Number	Qty	Description	Mfr Code	Mfr Part Number
CR202	1902-0958	1	DIODE-ZNR 10V 5% DO-35 PD=.4W TC=+.075%	02688	1N961B
CR203	1901-1117	1	DIODE-SWITCHING 30V	00746	1SS135
CR204	1901-1117	1	DIODE-SWITCHING 30V	00746	1SS135
CR205	1901-1117	1	DIODE-SWITCHING 30V	00746	1SS135
CR206	1901-1117	1	DIODE-SWITCHING 30V	00746	1SS135
CR207	1901-1117	1	DIODE-SWITCHING 30V	00746	1SS135
CR208	1901-1117	1	DIODE-SWITCHING 30V	00746	1SS135
CR209	1901-1117	1	DIODE-SWITCHING 30V	00746	1SS135
CR210	1901-1117	1	DIODE-SWITCHING 30V	00746	1SS135
CR211	1901-1117	1	DIODE-SWITCHING 30V	00746	1SS135
CR212	1901-1117	1	DIODE-SWITCHING 30V	00746	1SS135
CR214	BB0122-0162KI	1	D VVC 29PF5.OCR	28480	BB0122-0162KI
CR215	1901-1117	1	DIODE-SWITCHING 30V	00746	1SS135
CR216	1901-1117	1	DIODE-SWITCHING 30V	00746	1SS135
CR217	1901-1098	1	DIODE-SWITCHING 1N4150 50V 200MA 4NS	00746	1901-1098
CR218	1901-1117	1	DIODE-SWITCHING 30V	00746	1SS135
CR219	1901-1117	1	DIODE-SWITCHING 30V	00746	1SS135
CR220	1901-1117	1	DIODE-SWITCHING 30V	00746	1SS135
CR221	1901-1117	1	DIODE-SWITCHING 30V	00746	1SS135
CR222	1901-1117	1	DIODE-SWITCHING 30V	00746	1SS135
CR301	1901-1117	1	DIODE-SWITCHING 30V	00746	1SS135
CR302	LTB0122-0163KI	1	D VVC 450PF 15CR	28480	LTB0122-0163KI
CR303	LTB0122-0163KI	1	D VVC 450PF 15CR	28480	LTB0122-0163KI
CR401	1901-1117	1	DIODE-SWITCHING 30V	00746	1SS135
CR501	1901-0179	1	DIODE-SWITCHING 15V 50MA 750PS DO-7	02237	1SD1
CR502	1901-0179	1	DIODE-SWITCHING 15V 50MA 750PS DO-7	02237	1SD1
CR503	1901-0376	1	DIODE-GEN PRP 35V 50MA DO-35	11946	S303
CR504	1901-0179	1	DIODE-SWITCHING 15V 50MA 750PS DO-7	02237	1SD1
CR701	1902-0958	1	DIODE-ZNR 10V 5% DO-35 PD=.4W TC=+.075%	02688	1N961B
CR801	1901-0376	1	DIODE-GEN PRP 35V 50MA DO-35	11946	S303
CR802	BB0122-0162KI	1	D VVC 29PF5.OCR	28480	BB0122-0162KI
CR803	1901-1098	1	DIODE-SWITCHING 1N4150 50V 200MA 4NS	00746	1901-1098
CR804	1901-1098	1	DIODE-SWITCHING 1N4150 50V 200MA 4NS	00746	1901-1098
CR805	1901-1098	1	DIODE-SWITCHING 1N4150 50V 200MA 4NS	00746	1901-1098
CR806	1901-1098	1	DIODE-SWITCHING 1N4150 50V 200MA 4NS	00746	1901-1098

*Indicates factory-selected value

**HP Part Number 08563-60103
Log Amplifier/Cal Oscillator (continued)**

Reference Designator	HP Part Number	Qty	Description	Mfr Code	Mfr Part Number
CR807	1901-1098	1	DIODE-SWITCHING 1N4150 50V 200MA 4NS	00746	1901-1098
CR808	1901-1098	1	DIODE-SWITCHING 1N4150 50V 200MA 4NS	00746	1901-1098
CR809	1901-1098	1	DIODE-SWITCHING 1N4150 50V 200MA 4NS	00746	1901-1098
CR810	1901-1279	1	DIODE-SCHOTTKY 60V 1NS DO-34	02910	BAT83
CR811	1901-1279	1	DIODE-SCHOTTKY 60V 1NS DO-34	02910	BAT83
CR812	1901-1279	1	DIODE-SCHOTTKY 60V 1NS DO-34	02910	BAT83
E204	9170-1366	1	CORE-SHIELDING BEAD	03827	2743001112
E207	9170-1380	1	CORE-SHIELDING BEAD	12580	SAHP763
E208	9170-1366	1	CORE-SHIELDING BEAD	03827	2743001112
E301	9170-1366	1	CORE-SHIELDING BEAD	03827	2743001112
E302	9170-1366	1	CORE-SHIELDING BEAD	03827	2743001112
E303	9170-1366	1	CORE-SHIELDING BEAD	03827	2743001112
E304	9170-1366	1	CORE-SHIELDING BEAD	03827	2743001112
E306	9170-1366	1	CORE-SHIELDING BEAD	03827	2743001112
E307	9170-1366	1	CORE-SHIELDING BEAD	03827	2743001112
E308	9170-1366	1	CORE-SHIELDING BEAD	03827	2743001112
E411	9170-1380	1	CORE-SHIELDING BEAD	12580	SAHP763
E412	9170-1380	1	CORE-SHIELDING BEAD	12580	SAHP763
E415	9170-0847	1	CORE-SHIELDING BEAD	06337	5659065-3B-C
E416	9170-0847	1	CORE-SHIELDING BEAD	06337	5659065-3B-C
E501	9170-1366	1	CORE-SHIELDING BEAD	03827	2743001112
E502	9170-1366	1	CORE-SHIELDING BEAD	03827	2743001112
J1	1252-1064	1	CONN-POST TYPE .100-PIN-SPCG-MTG-END	01380	1-746878-0
J2	1252-1064	1	CONN-POST TYPE .100-PIN-SPCG-MTG-END	01380	1-746878-0
J3	1250-0543	1	CONNECTOR-RF SMB MALE PC-W-STDFS 50-OHM	07247	59S213-40TD3
J4	1250-0543	1	CONNECTOR-RF SMB MALE PC-W-STDFS 50-OHM	07247	59S213-40TD3
J5	1250-0257	1	CONNECTOR-RF SMB MALE PC-W-STDFS 50-OHM	01380	413990-3
J6	1251-7557	1	CONN-POST TYPE .100-PIN-SPCG-MTG-END	01380	641216-6
J7	1250-0257	1	CONNECTOR-RF SMB MALE PC-W-STDFS 50-OHM	01380	413990-3
J8	1250-0257	1	CONNECTOR-RF SMB MALE PC-W-STDFS 50-OHM	01380	413990-3
J9	1252-1200	1	CONN-POST TYPE .100-PIN-SPCG-MTG-END	13369	68449-079
J10	1252-1200	1	CONN-POST TYPE .100-PIN-SPCG-MTG-END	13369	68449-079
J11	1252-1200	1	CONN-POST TYPE .100-PIN-SPCG-MTG-END	13369	68449-079
L1	9140-0738	1	INDUCTOR 100uH .6W-INX.7LG-IN	01869	52405
L2	9140-0738	1	INDUCTOR 100uH .6W-INX.7LG-IN	01869	52405

HP Part Number 08563-60103
Log Amplifier/Cal Oscillator (continued)

Reference Designator	HP Part Number	Qty	Description	Mfr Code	Mfr Part Number
L3	9140-0738	1	INDUCTOR 100uH .6W-INX.7LG-IN	01869	52405
L4	9140-0738	1	INDUCTOR 100uH .6W-INX.7LG-IN	01869	52405
L204	9140-0399	1	INDUCTOR RF-CH-MLD 2.2uH +-5%	03273	15M221J
L206	9140-0143	1	INDUCTOR RF-CH-MLD 3.3uH +-10%	05524	IM-2 3.3UH 10%
L305	9140-1322	1	INDUCTOR RF-CH-MLD 100nH +-1%	03273	15M100F
L401	9100-3913	1	INDUCTOR RF-CH-MLD 3.3uH +-5%	05524	IM-4 3.3UH 5%
L402	9140-0352	1	INDUCTOR RF-CH-MLD 330nH +-1%	03273	10M330F
L405	9100-2261	1	INDUCTOR RF-CH-MLD 2.7uH +-10%	05826	1025-30
L406	9140-0453	1	INDUCTOR RF-CH-MLD 6.8uH +-5%	03273	15M-681J
L409	9100-3315	1	INDUCTOR RF-CH-MLD 820nH +-5%	03273	15M820J
L410	9140-0261	1	INDUCTOR RF-CH-MLD 100nH +-5%	03273	15M100J
L413	9140-0144	1	INDUCTOR RF-CH-MLD 4.7uH +-10%	05524	IM-2 4.7UH 10%
L414	9100-1625	1	INDUCTOR RF-CH-MLD 33uH +-5%	05826	1537-52
L415	9100-1625	1	INDUCTOR RF-CH-MLD 33uH +-5%	05826	1537-52
L701	9100-3313	1	INDUCTOR RF-CH-MLD 22uH +-5%	03273	15M222J
L702	9140-0399	1	INDUCTOR RF-CH-MLD 2.2uH +-5%	03273	15M221J
L801	9140-0454	1	INDUCTOR RF-CH-MLD 18uH +-5%	03273	15M-182J
L803	9140-0145	1	INDUCTOR RF-CH-MLD 8.2uH +-10%	05826	1025-42
L804	9140-0145	1	INDUCTOR RF-CH-MLD 8.2uH +-10%	05826	1025-42
L805	9140-0210	1	INDUCTOR RF-CH-MLD 100uH +-5%	05524	IM-4 100UH 5%
MP7	5041-7264	1	HINGE CLIP	28480	5041-7264
MP8	1200-0172	1	INSULATOR-XSTR DAP-GL	14283	10042-DAP
MP9	1200-0172	1	INSULATOR-XSTR DAP-GL	14283	10042-DAP
MP10	1200-0172	1	INSULATOR-XSTR DAP-GL	14283	10042-DAP
MP11	1200-0172	1	INSULATOR-XSTR DAP-GL	14283	10042-DAP
MP12	1200-0172	1	INSULATOR-XSTR DAP-GL	14283	10042-DAP
MP13	1200-0172	1	INSULATOR-XSTR DAP-GL	14283	10042-DAP
MP14	5063-0219	1	SHLD-TOP AMP II	28480	5063-0219
MP15	5063-0220	1	SHLD-BOT AMP II	28480	5063-0220
MP16	5063-0221	1	SHLD-TOP AMP I	28480	5063-0221
MP17	5063-0222	1	SHLD-BOT AMP I	28480	5063-0222
MP19	0624-0099	1	SCREW-TPG 4-40 .375-IN-LG PAN-HD-POZI	04525	0624-0099
MP21	1200-0172	1	INSULATOR-XSTR DAP-GL	14283	10042-DAP
NONE	0160-4912	1	CAP-FXD 91pF +-5% 100 V CER C0G	02010	SA102A910JAAH
Q201	1854-1263	1	TRANSISTOR NPN SI TO-92 PD=625MW	28480	1854-1263

*Indicates factory-selected value

CLIP 08563-90166 9

HP Part Number 08563-60103
Log Amplifier/Cal Oscillator (continued)

Reference Designator	HP Part Number	Qty	Description	Mfr Code	Mfr Part Number
Q202	1854-0696	1	TRANSISTOR NPN SI TO-72 PD=200MW	02688	MRF914
Q301	1854-1263	1	TRANSISTOR NPN SI TO-92 PD=625MW	28480	1854-1263
Q302	1854-1263	1	TRANSISTOR NPN SI TO-92 PD=625MW	28480	1854-1263
Q303	1854-1263	1	TRANSISTOR NPN SI TO-92 PD=625MW	28480	1854-1263
Q304	1854-1263	1	TRANSISTOR NPN SI TO-92 PD=625MW	28480	1854-1263
Q305	1854-1263	1	TRANSISTOR NPN SI TO-92 PD=625MW	28480	1854-1263
Q306	1854-1263	1	TRANSISTOR NPN SI TO-92 PD=625MW	28480	1854-1263
Q307	1854-1263	1	TRANSISTOR NPN SI TO-92 PD=625MW	28480	1854-1263
Q308	1854-1263	1	TRANSISTOR NPN SI TO-92 PD=625MW	28480	1854-1263
Q309	1854-1263	1	TRANSISTOR NPN SI TO-92 PD=625MW	28480	1854-1263
Q310	1854-1263	1	TRANSISTOR NPN SI TO-92 PD=625MW	28480	1854-1263
Q311	1854-1263	1	TRANSISTOR NPN SI TO-92 PD=625MW	28480	1854-1263
Q312	1854-1263	1	TRANSISTOR NPN SI TO-92 PD=625MW	28480	1854-1263
Q313	1854-1263	1	TRANSISTOR NPN SI TO-92 PD=625MW	28480	1854-1263
Q314	1854-1263	1	TRANSISTOR NPN SI TO-92 PD=625MW	28480	1854-1263
Q401	1854-1263	1	TRANSISTOR NPN SI TO-92 PD=625MW	28480	1854-1263
Q402	1854-1263	1	TRANSISTOR NPN SI TO-92 PD=625MW	28480	1854-1263
Q403	1854-1263	1	TRANSISTOR NPN SI TO-92 PD=625MW	28480	1854-1263
Q404	LTB1855-0769KI	1	X-NG NE72084	28480	LTB1855-0769KI
Q405	LTB1855-0769KI	1	X-NG NE72084	28480	LTB1855-0769KI
Q406	1854-1263	1	TRANSISTOR NPN SI TO-92 PD=625MW	28480	1854-1263
Q407	1854-1263	1	TRANSISTOR NPN SI TO-92 PD=625MW	28480	1854-1263
Q408	1854-1028	1	TRANSISTOR NPN SI TO-92 PD=625MW	02237	2N3904
Q501	1855-0414	1	TRANSISTOR J-FET 2N4393 N-CHAN D-MODE	02883	2N4393
Q502	1855-1002	1	TRANSISTOR J-FET 2N4416A N-CHAN D-MODE	02883	2N4416A
Q601	1855-0241	1	TRANSISTOR MOSFET N-CHAN E-MODE TO-72 SI	02883	SD215DE
Q602	1855-0241	1	TRANSISTOR MOSFET N-CHAN E-MODE TO-72 SI	02883	SD215DE
Q603	1855-0241	1	TRANSISTOR MOSFET N-CHAN E-MODE TO-72 SI	02883	SD215DE
Q604	1855-0241	1	TRANSISTOR MOSFET N-CHAN E-MODE TO-72 SI	02883	SD215DE
Q605	1855-0241	1	TRANSISTOR MOSFET N-CHAN E-MODE TO-72 SI	02883	SD215DE
Q801	BB1854-0477KI	1		28480	BB1854-0477KI
Q802	BB1854-0477KI	1		28480	BB1854-0477KI
R4	0757-0442	1	RESISTOR 10K +-1% .125W TF TC=0+-100	05524	CMF-551002FT-1
R5	0757-0442	1	RESISTOR 10K +-1% .125W TF TC=0+-100	05524	CMF-551002FT-1
R6	0757-0461	1	RESISTOR 68.1K +-1% .125W TF TC=0+-100	05524	CMF-556812FT-1

HP Part Number 08563-60103
Log Amplifier/Cal Oscillator (continued)

Reference Designator	HP Part Number	Qty	Description	Mfr Code	Mfr Part Number
R7	0757-0465	1	RESISTOR 100K +-1% .125W TF TC=0+-100	05524	CMF-551003FT-1
R101	0757-0458	1	RESISTOR 51.1K +-1% .125W TF TC=0+-100	06424	NK4H.125W1%+/-100PPM5112
R102	0757-0442	1	RESISTOR 10K +-1% .125W TF TC=0+-100	05524	CMF-551002FT-1
R103	0757-0465	1	RESISTOR 100K +-1% .125W TF TC=0+-100	05524	CMF-551003FT-1
R104	0757-0442	1	RESISTOR 10K +-1% .125W TF TC=0+-100	05524	CMF-551002FT-1
R106	0757-0442	1	RESISTOR 10K +-1% .125W TF TC=0+-100	05524	CMF-551002FT-1
R107	0757-0442	1	RESISTOR 10K +-1% .125W TF TC=0+-100	05524	CMF-551002FT-1
R108	0757-0438	1	RESISTOR 5.11K +-1% .125W TF TC=0+-100	06424	NK4H.125W1%+/-100PPM5111
R110	0757-0280	1	RESISTOR 1K +-1% .125W TF TC=0+-100	05524	CMF-551001FT-1
R111	0757-0442	1	RESISTOR 10K +-1% .125W TF TC=0+-100	05524	CMF-551002FT-1
R112	0757-0442	1	RESISTOR 10K +-1% .125W TF TC=0+-100	05524	CMF-551002FT-1
R115	0698-7236	1	RESISTOR 1K +-1% .05W TF TC=0+-100	06424	NK3H.05W1%+/-100PPM1001
R116	0698-7236	1	RESISTOR 1K +-1% .05W TF TC=0+-100	06424	NK3H.05W1%+/-100PPM1001
R117	0757-0280	1	RESISTOR 1K +-1% .125W TF TC=0+-100	05524	CMF-551001FT-1
R201	0757-0405	1	RESISTOR 162 +-1% .125W TF TC=0+-100	06424	NK4H.125W1%+/-100PPM162R0
R202	0757-0424	1	RESISTOR 1.1K +-1% .125W TF TC=0+-100	06424	NK4H.125W1%+/-100PPM1101
R203	0757-0428	1	RESISTOR 1.62K +-1% .125W TF TC=0+-100	05524	CMF-551621FT-1
R204	0698-3434	1	RESISTOR 34.8 +-1% .125W TF TC=0+-100	06424	NK4H.125W1%+/-100PPM34R8
R205	0757-0418	1	RESISTOR 619 +-1% .125W TF TC=0+-100	05524	CMF-556190FT-1
R206	0757-0280	1	RESISTOR 1K +-1% .125W TF TC=0+-100	05524	CMF-551001FT-1
R207	0757-0401	1	RESISTOR 100 +-1% .125W TF TC=0+-100	05524	CMF-551000FT-1
R208	0698-0082	1	RESISTOR 464 +-1% .125W TF TC=0+-100	06424	NK4H.125W1%+/-100PPM464R0
R209	0757-0447	1	RESISTOR 16.2K +-1% .125W TF TC=0+-100	05524	CMF-551622FT-1
R210	0757-0401	1	RESISTOR 100 +-1% .125W TF TC=0+-100	05524	CMF-551000FT-1
R211	0757-0440	1	RESISTOR 7.5K +-1% .125W TF TC=0+-100	05524	CMF-557501FT-1
R212	0757-0346	1	RESISTOR 10 +-1% .125W TF TC=0+-100	06424	NK4H.125W1%+/-100PPM10R0
R213	0757-0401	1	RESISTOR 100 +-1% .125W TF TC=0+-100	05524	CMF-551000FT-1
R214	0757-0274	1	RESISTOR 1.21K +-1% .125W TF TC=0+-100	06424	NK4H.125W1%+/-100PPM1211
R215	0757-0438	1	RESISTOR 5.11K +-1% .125W TF TC=0+-100	06424	NK4H.125W1%+/-100PPM5111
R216	0698-3432	1	RESISTOR 26.1 +-1% .125W TF TC=0+-100	06424	NK4H.125W1%+/-100PPM26R1
R217	0757-0401	1	RESISTOR 100 +-1% .125W TF TC=0+-100	05524	CMF-551000FT-1
R218	0757-0280	1	RESISTOR 1K +-1% .125W TF TC=0+-100	05524	CMF-551001FT-1
R219	0757-0274	1	RESISTOR 1.21K +-1% .125W TF TC=0+-100	06424	NK4H.125W1%+/-100PPM1211
R220	0757-0280	1	RESISTOR 1K +-1% .125W TF TC=0+-100	05524	CMF-551001FT-1
R221	0757-0400	1	RESISTOR 90.9 +-1% .125W TF TC=0+-100	05524	CMF-5590R9FT-1

*Indicates factory-selected value

CLIP 08563-90166 11

HP Part Number 08563-60103
Log Amplifier/Cal Oscillator (continued)

Reference Designator	HP Part Number	Qty	Description	Mfr Code	Mfr Part Number
R222	0757-0280	1	RESISTOR 1K +-1% .125W TF TC=0+-100	05524	CMF-551001FT-1
R223	0757-0401	1	RESISTOR 100 +-1% .125W TF TC=0+-100	05524	CMF-551000FT-1
R224	0757-0419	1	RESISTOR 681 +-1% .25W TF TC=0+-100	06424	NK4H.25W1%+/-100PPM681
R225	0757-0440	1	RESISTOR 7.5K +-1% .125W TF TC=0+-100	05524	CMF-557501FT-1
R226	0757-0401	1	RESISTOR 100 +-1% .125W TF TC=0+-100	05524	CMF-551000FT-1
R227	0757-0289	1	RESISTOR 13.3K +-1% .125W TF TC=0+-100	06424	NK4H.125W1%+/-100PPM1332
R228	0757-0346	1	RESISTOR 10 +-1% .125W TF TC=0+-100	06424	NK4H.125W1%+/-100PPM10R0
R229	0757-0401	1	RESISTOR 100 +-1% .125W TF TC=0+-100	05524	CMF-551000FT-1
R230	0757-0420	1	RESISTOR 750 +-1% .125W TF TC=0+-100	05524	CMF-557500FT-1
R232	0757-0405	1	RESISTOR 162 +-1% .125W TF TC=0+-100	06424	NK4H.125W1%+/-100PPM162R0
R234	0757-0399	1	RESISTOR 82.5 +-1% .125W TF TC=0+-100	06424	NK4H.125W1%+/-100PPM82R5
R235	0757-0428	1	RESISTOR 1.62K +-1% .125W TF TC=0+-100	05524	CMF-551621FT-1
R236	0757-0280	1	RESISTOR 1K +-1% .125W TF TC=0+-100	05524	CMF-551001FT-1
R237	0757-0280	1	RESISTOR 1K +-1% .125W TF TC=0+-100	05524	CMF-551001FT-1
R238	0757-0401	1	RESISTOR 100 +-1% .125W TF TC=0+-100	05524	CMF-551000FT-1
R239	0757-0280	1	RESISTOR 1K +-1% .125W TF TC=0+-100	05524	CMF-551001FT-1
R240	0698-0084	1	RESISTOR 2.15K +-1% .125W TF TC=0+-100	06424	NK4H.125W1%+/-100PPM2151
R241	0698-3446	1	RESISTOR 383 +-1% .125W TF TC=0+-100	05524	CMF-553830FT-1
R242	0698-3438	1	RESISTOR 147 +-1% .125W TF TC=0+-100	05524	CMF-551470FT-1
R243	0757-0397	1	RESISTOR 68.1 +-1% .125W TF TC=0+-100	06424	NK4H.125W1%+/-100PPM68R1
R245	0757-0401	1	RESISTOR 100 +-1% .125W TF TC=0+-100	05524	CMF-551000FT-1
R247	0757-0280	1	RESISTOR 1K +-1% .125W TF TC=0+-100	05524	CMF-551001FT-1
R248	0698-7236	1	RESISTOR 1K +-1% .05W TF TC=0+-100	06424	NK3H.05W1%+/-100PPM1001
R249	0757-0416	1	RESISTOR 511 +-1% .125W TF TC=0+-100	06424	NK4H.125W1%+/-100PPM511R0
R250	0698-3439	1	RESISTOR 178 +-1% .125W TF TC=0+-100	05524	CMF-551780FT-1
R251	0757-0465	1	RESISTOR 100K +-1% .125W TF TC=0+-100	05524	CMF-551003FT-1
R252	0698-3153	1	RESISTOR 3.83K +-1% .125W TF TC=0+-100	05524	CMF-553831FT-1
R253	0698-0084	1	RESISTOR 2.15K +-1% .125W TF TC=0+-100	06424	NK4H.125W1%+/-100PPM2151
R254	0698-0084	1	RESISTOR 2.15K +-1% .125W TF TC=0+-100	06424	NK4H.125W1%+/-100PPM2151
R255	0698-0084	1	RESISTOR 2.15K +-1% .125W TF TC=0+-100	06424	NK4H.125W1%+/-100PPM2151
R256	0757-0394	1	RESISTOR 51.1 +-1% .125W TF TC=0+-100	05524	CMF-5551R1FT-1
R258	0757-0442	1	RESISTOR 10K +-1% .125W TF TC=0+-100	05524	CMF-551002FT-1
R259	0698-7239	1	RESISTOR 1.33K +-1% .05W TF TC=0+-100	05524	CMF-501331FT-1
R260	0757-0346	1	RESISTOR 10 +-1% .125W TF TC=0+-100	06424	NK4H.125W1%+/-100PPM10R0
R261	0757-0346	1	RESISTOR 10 +-1% .125W TF TC=0+-100	06424	NK4H.125W1%+/-100PPM10R0

HP Part Number 08563-60103
Log Amplifier/Cal Oscillator (continued)

Reference Designator	HP Part Number	Qty	Description	Mfr Code	Mfr Part Number
R262	0757-0346	1	RESISTOR 10 +-1% .125W TF TC=0+-100	06424	NK4H.125W1%+/-100PPM10R0
R263	0698-7270	1	RESISTOR 26.1K +-1% .05W TF TC=0+-100	05524	CMF-502612FT-1
R264	0698-7260	1	RESISTOR 10K +-1% .05W TF TC=0+-100	06424	NK3H.05W1%+/-100PPM1002
R265	0698-7257	1	RESISTOR 7.5K +-1% .05W TF TC=0+-100	06424	NK3H.05W1%+/-100PPM7501
R266	0698-7257	1	RESISTOR 7.5K +-1% .05W TF TC=0+-100	06424	NK3H.05W1%+/-100PPM7501
R267	0698-7284	1	RESISTOR 100K +-1% .05W TF TC=0+-100	05524	CMF-501003FT-1
R302	0757-0278	1	RESISTOR 1.78K +-1% .125W TF TC=0+-100	05524	CMF-551781FT-1
R303	0757-0280	1	RESISTOR 1K +-1% .125W TF TC=0+-100	05524	CMF-551001FT-1
R305	0757-0401	1	RESISTOR 100 +-1% .125W TF TC=0+-100	05524	CMF-551000FT-1
R306	0757-0465	1	RESISTOR 100K +-1% .125W TF TC=0+-100	05524	CMF-551003FT-1
R307	0757-0442	1	RESISTOR 10K +-1% .125W TF TC=0+-100	05524	CMF-551002FT-1
R310	0757-0346	1	RESISTOR 10 +-1% .125W TF TC=0+-100	06424	NK4H.125W1%+/-100PPM10R0
R311	0757-0280	1	RESISTOR 1K +-1% .125W TF TC=0+-100	05524	CMF-551001FT-1
R314	0757-0278	1	RESISTOR 1.78K +-1% .125W TF TC=0+-100	05524	CMF-551781FT-1
R315	0757-0401	1	RESISTOR 100 +-1% .125W TF TC=0+-100	05524	CMF-551000FT-1
R317	0757-0401	1	RESISTOR 100 +-1% .125W TF TC=0+-100	05524	CMF-551000FT-1
R322	0757-0346	1	RESISTOR 10 +-1% .125W TF TC=0+-100	06424	NK4H.125W1%+/-100PPM10R0
R323	0757-0401	1	RESISTOR 100 +-1% .125W TF TC=0+-100	05524	CMF-551000FT-1
R326	0757-0428	1	RESISTOR 1.62K +-1% .125W TF TC=0+-100	05524	CMF-551621FT-1
R327	0757-0401	1	RESISTOR 100 +-1% .125W TF TC=0+-100	05524	CMF-551000FT-1
R329	0757-0401	1	RESISTOR 100 +-1% .125W TF TC=0+-100	05524	CMF-551000FT-1
R334	0757-0346	1	RESISTOR 10 +-1% .125W TF TC=0+-100	06424	NK4H.125W1%+/-100PPM10R0
R335	0757-0401	1	RESISTOR 100 +-1% .125W TF TC=0+-100	05524	CMF-551000FT-1
R338	0757-0428	1	RESISTOR 1.62K +-1% .125W TF TC=0+-100	05524	CMF-551621FT-1
R339	0757-0401	1	RESISTOR 100 +-1% .125W TF TC=0+-100	05524	CMF-551000FT-1
R340	0757-0438	1	RESISTOR 5.11K +-1% .125W TF TC=0+-100	06424	NK4H.125W1%+/-100PPM5111
R341	0757-0280	1	RESISTOR 1K +-1% .125W TF TC=0+-100	05524	CMF-551001FT-1
R343	0757-0401	1	RESISTOR 100 +-1% .125W TF TC=0+-100	05524	CMF-551000FT-1
R348	0757-0346	1	RESISTOR 10 +-1% .125W TF TC=0+-100	06424	NK4H.125W1%+/-100PPM10R0
R349	0757-0401	1	RESISTOR 100 +-1% .125W TF TC=0+-100	05524	CMF-551000FT-1
R352	0698-0084	1	RESISTOR 2.15K +-1% .125W TF TC=0+-100	06424	NK4H.125W1%+/-100PPM2151
R354	0757-1094	1	RESISTOR 1.47K +-1% .125W TF TC=0+-100	05524	CMF-551471FT-1
R355	0757-0401	1	RESISTOR 100 +-1% .125W TF TC=0+-100	05524	CMF-551000FT-1
R357	0757-0401	1	RESISTOR 100 +-1% .125W TF TC=0+-100	05524	CMF-551000FT-1
R362	0757-0346	1	RESISTOR 10 +-1% .125W TF TC=0+-100	06424	NK4H.125W1%+/-100PPM10R0

*Indicates factory-selected value

HP Part Number 08563-60103
Log Amplifier/Cal Oscillator (continued)

Reference Designator	HP Part Number	Qty	Description	Mfr Code	Mfr Part Number
R363	0757-0401	1	RESISTOR 100 +-1% .125W TF TC=0+-100	05524	CMF-551000FT-1
R366	0757-0317	1	RESISTOR 1.33K +-1% .125W TF TC=0+-100	05524	CMF-551331FT-1
R367	0757-0401	1	RESISTOR 100 +-1% .125W TF TC=0+-100	05524	CMF-551000FT-1
R369	0757-0401	1	RESISTOR 100 +-1% .125W TF TC=0+-100	05524	CMF-551000FT-1
R374	0698-8822	1	RESISTOR 6.81 +-1% .125W TF TC=0+-100	05524	CMF-556R81FT-1
R375	0757-0401	1	RESISTOR 100 +-1% .125W TF TC=0+-100	05524	CMF-551000FT-1
R378	0757-0274	1	RESISTOR 1.21K +-1% .125W TF TC=0+-100	06424	NK4H.125W1%+/-100PPM1211
R379	0757-0401	1	RESISTOR 100 +-1% .125W TF TC=0+-100	05524	CMF-551000FT-1
R381	0757-0401	1	RESISTOR 100 +-1% .125W TF TC=0+-100	05524	CMF-551000FT-1
R386	0757-0401	1	RESISTOR 100 +-1% .125W TF TC=0+-100	05524	CMF-551000FT-1
R387	0698-8821	1	RESISTOR 5.62 +-1% .125W TF TC=0+-100	05524	CMF-555R62FT-1
R390	0757-0280	1	RESISTOR 1K +-1% .125W TF TC=0+-100	05524	CMF-551001FT-1
R399	0698-7212	1	RESISTOR 100 +-1% .05W TF TC=0+-100	06424	NK3H.05W1%+/-100PPM100R0
R401	0757-0403	1	RESISTOR 121 +-1% .125W TF TC=0+-100	05524	CMF-551210FT-1
R402	0698-3434	1	RESISTOR 34.8 +-1% .125W TF TC=0+-100	06424	NK4H.125W1%+/-100PPM34R8
R403	0698-3434	1	RESISTOR 34.8 +-1% .125W TF TC=0+-100	06424	NK4H.125W1%+/-100PPM34R8
R404	0698-3132	1	RESISTOR 261 +-1% .125W TF TC=0+-100	06424	NK4H.125W1%+/-100PPM261R0
R405	0757-0403	1	RESISTOR 121 +-1% .125W TF TC=0+-100	05524	CMF-551210FT-1
R406	0698-7234	1	RESISTOR 825 +-1% .05W TF TC=0+-100	06424	NK3H.05W1%+/-100PPM825R0
R408	0698-7232	1	RESISTOR 681 +-1% .05W TF TC=0+-100	05524	CMF-506810FT-1
R409	0757-0420	1	RESISTOR 750 +-1% .125W TF TC=0+-100	05524	CMF-557500FT-1
R410	0757-1094	1	RESISTOR 1.47K +-1% .125W TF TC=0+-100	05524	CMF-551471FT-1
R411	0698-3132	1	RESISTOR 261 +-1% .125W TF TC=0+-100	06424	NK4H.125W1%+/-100PPM261R0
R412	0698-0084	1	RESISTOR 2.15K +-1% .125W TF TC=0+-100	06424	NK4H.125W1%+/-100PPM2151
R413	0757-0346	1	RESISTOR 10 +-1% .125W TF TC=0+-100	06424	NK4H.125W1%+/-100PPM10R0
R416	0757-0422	1	RESISTOR 909 +-1% .125W TF TC=0+-100	05524	CMF-559090FT-1
R417	0757-0346	1	RESISTOR 10 +-1% .125W TF TC=0+-100	06424	NK4H.125W1%+/-100PPM10R0
R418	0698-7212	1	RESISTOR 100 +-1% .05W TF TC=0+-100	06424	NK3H.05W1%+/-100PPM100R0
R419	0698-7236	1	RESISTOR 1K +-1% .05W TF TC=0+-100	06424	NK3H.05W1%+/-100PPM1001
R420	0698-3440	1	RESISTOR 196 +-1% .125W TF TC=0+-100	05524	CMF-551960FT-1
R421	0698-3440	1	RESISTOR 196 +-1% .125W TF TC=0+-100	05524	CMF-551960FT-1
R422	0698-3446	1	RESISTOR 383 +-1% .125W TF TC=0+-100	05524	CMF-553830FT-1
R423	0757-0442	1	RESISTOR 10K +-1% .125W TF TC=0+-100	05524	CMF-551002FT-1
R424	0757-0442	1	RESISTOR 10K +-1% .125W TF TC=0+-100	05524	CMF-551002FT-1
R425	0757-0442	1	RESISTOR 10K +-1% .125W TF TC=0+-100	05524	CMF-551002FT-1

HP Part Number 08563-60103
Log Amplifier/Cal Oscillator (continued)

Reference Designator	HP Part Number	Qty	Description	Mfr Code	Mfr Part Number
R426	0757-0424	1	RESISTOR 1.1K +-1% .125W TF TC=0+-100	06424	NK4H.125W1%+/-100PPM1101
R427	0757-0280	1	RESISTOR 1K +-1% .125W TF TC=0+-100	05524	CMF-551001FT-1
R429	0698-7205	1	RESISTOR 51.1 +-1% .05W TF TC=0+-100	05524	CMF-5051R1FT-1'
R430	0757-0401	1	RESISTOR 100 +-1% .125W TF TC=0+-100	05524	CMF-551000FT-1
R432	0698-7212	1	RESISTOR 100 +-1% .05W TF TC=0+-100	06424	NK3H.05W1%+/-100PPM100R0
R433	0698-7212	1	RESISTOR 100 +-1% .05W TF TC=0+-100	06424	NK3H.05W1%+/-100PPM100R0
R435	0757-0424	1	RESISTOR 1.1K +-1% .125W TF TC=0+-100	06424	NK4H.125W1%+/-100PPM1101
R436	0698-3132	1	RESISTOR 261 +-1% .125W TF TC=0+-100	06424	NK4H.125W1%+/-100PPM261R0
R437	0757-1094	1	RESISTOR 1.47K +-1% .125W TF TC=0+-100	05524	CMF-551471FT-1
R438	0698-7229	1	RESISTOR 511 +-1% .05W TF TC=0+-100	06424	NK3H.05W1%+/-100PPM511R0
R439	0698-7236	1	RESISTOR 1K +-1% .05W TF TC=0+-100	06424	NK3H.05W1%+/-100PPM1001
R440	0698-3132	1	RESISTOR 261 +-1% .125W TF TC=0+-100	06424	NK4H.125W1%+/-100PPM261R0
R441	0698-3132	1	RESISTOR 261 +-1% .125W TF TC=0+-100	06424	NK4H.125W1%+/-100PPM261R0
R442	0757-1094	1	RESISTOR 1.47K +-1% .125W TF TC=0+-100	05524	CMF-551471FT-1
R443	0698-3443	1	RESISTOR 287 +-1% .125W TF TC=0+-100	06424	NK4H.125W1%+/-100PPM287R0
R444	0698-7219	1	RESISTOR 196 +-1% .05W TF TC=0+-100	06424	NK3H.05W1%+/-100PPM196R0
R445	2100-1986	1	RESISTOR-TRMR 1K 10% TKF TOP-ADJ 1-TRN	04568	82PR1K
R446	0698-0084	1	RESISTOR 2.15K +-1% .125W TF TC=0+-100	06424	NK4H.125W1%+/-100PPM2151
R501	0698-3434	1	RESISTOR 34.8 +-1% .125W TF TC=0+-100	06424	NK4H.125W1%+/-100PPM34R8
R502	0757-0416	1	RESISTOR 511 +-1% .125W TF TC=0+-100	06424	NK4H.125W1%+/-100PPM511R0
R503	0698-3439	1	RESISTOR 178 +-1% .125W TF TC=0+-100	05524	CMF-551780FT-1
R504	0757-0465	1	RESISTOR 100K +-1% .125W TF TC=0+-100	05524	CMF-551003FT-1
R505	0757-0442	1	RESISTOR 10K +-1% .125W TF TC=0+-100	05524	CMF-551002FT-1
R506	0698-3132	1	RESISTOR 261 +-1% .125W TF TC=0+-100	06424	NK4H.125W1%+/-100PPM261R0
R507	0757-0465	1	RESISTOR 100K +-1% .125W TF TC=0+-100	05524	CMF-551003FT-1
R508	0698-3453	1	RESISTOR 196K +-1% .125W TF TC=0+-100	05524	CMF-551963FT-1
R509	0757-0442	1	RESISTOR 10K +-1% .125W TF TC=0+-100	05524	CMF-551002FT-1
R510	0698-8827	1	RESISTOR 1M +-1% .125W TF TC=0+-100	05524	CMF-551004FT-1
R511	0698-3440	1	RESISTOR 196 +-1% .125W TF TC=0+-100	05524	CMF-551960FT-1
R512	0757-0346	1	RESISTOR 10 +-1% .125W TF TC=0+-100	06424	NK4H.125W1%+/-100PPM10R0
R513	0698-3154	1	RESISTOR 4.22K +-1% .125W TF TC=0+-100	05524	CMF-554221FT-1
R514	0698-3154	1	RESISTOR 4.22K +-1% .125W TF TC=0+-100	05524	CMF-554221FT-1
R515	0698-3440	1	RESISTOR 196 +-1% .125W TF TC=0+-100	05524	CMF-551960FT-1
R516	0757-0443	1	RESISTOR 11K +-1% .125W TF TC=0+-100	05524	CMF-551102FT-1
R517	0757-0421	1	RESISTOR 825 +-1% .125W TF TC=0+-100	05524	CMF-558250FT-1

*Indicates factory-selected value

HP Part Number 08563-60103
Log Amplifier/Cal Oscillator (continued)

Reference Designator	HP Part Number	Qty	Description	Mfr Code	Mfr Part Number
R518	0698-3440	1	RESISTOR 196 +-1% .125W TF TC=0+-100	05524	CMF-551960FT-1
R519	0757-0346	1	RESISTOR 10 +-1% .125W TF TC=0+-100	06424	NK4H.125W1%+/-100PPM10R0
R520	0757-0438	1	RESISTOR 5.11K +-1% .125W TF TC=0+-100	06424	NK4H.125W1%+/-100PPM5111
R521	0757-0346	1	RESISTOR 10 +-1% .125W TF TC=0+-100	06424	NK4H.125W1%+/-100PPM10R0
R522	0698-3440	1	RESISTOR 196 +-1% .125W TF TC=0+-100	05524	CMF-551960FT-1
R523	0698-0084	1	RESISTOR 2.15K +-1% .125W TF TC=0+-100	06424	NK4H.125W1%+/-100PPM2151
R525	0757-0416	1	RESISTOR 511 +-1% .125W TF TC=0+-100	06424	NK4H.125W1%+/-100PPM511R0
R526	0698-3157	1	RESISTOR 19.6K +-1% .125W TF TC=0+-100	06424	NK4H.125W1%+/-100PPM1962
R528	0757-0419	1	RESISTOR 681 +-1% .25W TF TC=0+-100	06424	NK4H.25W1%+/-100PPM681
R529	0698-3444	1	RESISTOR 316 +-1% .125W TF TC=0+-100	06424	NK4H.125W1%+/-100PPM316R0
R530	0757-0317	1	RESISTOR 1.33K +-1% .125W TF TC=0+-100	05524	CMF-551331FT-1
R531	2100-2060	1	RESISTOR-TRMR 50 20% TKF TOP-ADJ 1-TRN	04568	82PR50
R533	0698-3151	1	RESISTOR 2.87K +-1% .125W TF TC=0+-100	05524	CMF-552871FT-1
R535	0757-0279	1	RESISTOR 3.16K +-1% .125W TF TC=0+-100	05524	CMF-553161FT-1
R536	0698-3441	1	RESISTOR 215 +-1% .125W TF TC=0+-100	06424	NK4H.125W1%+/-100PPM215R0
R537	0757-0442	1	RESISTOR 10K +-1% .125W TF TC=0+-100	05524	CMF-551002FT-1
R538	0757-0200	1	RESISTOR 5.62K +-1% .125W TF TC=0+-100	05524	CMF-555621FT-1
R539	0698-3440	1	RESISTOR 196 +-1% .125W TF TC=0+-100	05524	CMF-551960FT-1
R540	0698-3440	1	RESISTOR 196 +-1% .125W TF TC=0+-100	05524	CMF-551960FT-1
R541	0698-7243	1	RESISTOR 1.96K +-1% .05W TF TC=0+-100	06424	NK3H.05W1%+/-100PPM1961
R542	0698-7242	1	RESISTOR 1.78K +-1% .05W TF TC=0+-100	06424	NK3H.05W1%+/-100PPM1781
R543	0698-7212	1	RESISTOR 100 +-1% .05W TF TC=0+-100	06424	NK3H.05W1%+/-100PPM100R0
R544	2100-1738	1	RESISTOR-TRMR 10K 10% TKF TOP-ADJ 1-TRN	04568	82PR10K
R551	0757-0442	1	RESISTOR 10K +-1% .125W TF TC=0+-100	05524	CMF-551002FT-1
R552	0757-0442	1	RESISTOR 10K +-1% .125W TF TC=0+-100	05524	CMF-551002FT-1
R553	0757-0442	1	RESISTOR 10K +-1% .125W TF TC=0+-100	05524	CMF-551002FT-1
R555	0757-0346	1	RESISTOR 10 +-1% .125W TF TC=0+-100	06424	NK4H.125W1%+/-100PPM10R0
R556	0698-7214	1	RESISTOR 121 +-1% .05W TF TC=0+-100	06424	NK3H.05W1%+/-100PPM121R0
R557	0698-7212	1	RESISTOR 100 +-1% .05W TF TC=0+-100	06424	NK3H.05W1%+/-100PPM100R0
R558	0757-0400	1	RESISTOR 90.9 +-1% .125W TF TC=0+-100	05524	CMF-5590R9FT-1
R559	0698-0082	1	RESISTOR 464 +-1% .125W TF TC=0+-100	06424	NK4H.125W1%+/-100PPM464R0
R561	0698-3442	1	RESISTOR 237 +-1% .125W TF TC=0+-100	05524	CMF-552370FT-1
R562	0757-0280	1	RESISTOR 1K +-1% .125W TF TC=0+-100	05524	CMF-551001FT-1
R601	0757-0465	1	RESISTOR 100K +-1% .125W TF TC=0+-100	05524	CMF-551003FT-1
R602	0757-0317	1	RESISTOR 1.33K +-1% .125W TF TC=0+-100	05524	CMF-551331FT-1

HP Part Number 08563-60103
Log Amplifier/Cal Oscillator (continued)

Reference Designator	HP Part Number	Qty	Description	Mfr Code	Mfr Part Number
R603	0757-0288	1	RESISTOR 9.09K +-1% .125W TF TC=0+-100	05524	CMF-559091FT-1
R605	0757-0465	1	RESISTOR 100K +-1% .125W TF TC=0+-100	05524	CMF-551003FT-1
R606	0698-3153	1	RESISTOR 3.83K +-1% .125W TF TC=0+-100	05524	CMF-553831FT-1
R607	0698-3160	1	RESISTOR 31.6K +-1% .125W TF TC=0+-100	06424	NK4H.125W1%+/-100PPM3162
R609	0757-0465	1	RESISTOR 100K +-1% .125W TF TC=0+-100	05524	CMF-551003FT-1
R610	0757-0280	1	RESISTOR 1K +-1% .125W TF TC=0+-100	05524	CMF-551001FT-1
R611	0698-3156	1	RESISTOR 14.7K +-1% .125W TF TC=0+-100	05524	CMF-551472FT-1
R613	0757-0465	1	RESISTOR 100K +-1% .125W TF TC=0+-100	05524	CMF-551003FT-1
R614	0757-0440	1	RESISTOR 7.5K +-1% .125W TF TC=0+-100	05524	CMF-557501FT-1
R615	0757-0289	1	RESISTOR 13.3K +-1% .125W TF TC=0+-100	06424	NK4H.125W1%+/-100PPM1332
R617	0757-0442	1	RESISTOR 10K +-1% .125W TF TC=0+-100	05524	CMF-551002FT-1
R618	0757-0460	1	RESISTOR 61.9K +-1% .125W TF TC=0+-100	06424	NK4H.125W1%+/-100PPM6192
R619	0757-0419	1	RESISTOR 681 +-1% .25W TF TC=0+-100	06424	NK4H.25W1%+/-100PPM681
R620	0757-0424	1	RESISTOR 1.1K +-1% .125W TF TC=0+-100	06424	NK4H.125W1%+/-100PPM1101
R621	0698-6364	1	RESISTOR 50 +-0.1% .125W TF TC=0+-25	05524	CMF-5550R0BT-9
R622	0699-1943	1	RESISTOR 348 +-0.1% .125W TF TC=0+-25	05524	CMF-553480BT-9
R623	0698-3446	1	RESISTOR 383 +-1% .125W TF TC=0+-100	05524	CMF-553830FT-1
R625	8159-0005	1	RESISTOR 0 CWM	02499	YZO 1/4
R626	0757-0461	1	RESISTOR 68.1K +-1% .125W TF TC=0+-100	05524	CMF-556812FT-1
R627	0757-0280	1	RESISTOR 1K +-1% .125W TF TC=0+-100	05524	CMF-551001FT-1
R628	0698-6323	1	RESISTOR 100 +-0.1% .125W TF TC=0+-25	05524	CMF-551000BT-9
R629	8159-0005	1	RESISTOR 0 CWM	02499	YZO 1/4
R630	0698-6358	1	RESISTOR 100K +-0.1% .125W TF TC=0+-25	05524	CMF-551003BT-9
R631	0757-0442	1	RESISTOR 10K +-1% .125W TF TC=0+-100	05524	CMF-551002FT-1
R632	0757-0280	1	RESISTOR 1K +-1% .125W TF TC=0+-100	05524	CMF-551001FT-1
R633	0757-0422	1	RESISTOR 909 +-1% .125W TF TC=0+-100	05524	CMF-559090FT-1
R701	0757-0438	1	RESISTOR 5.11K +-1% .125W TF TC=0+-100	06424	NK4H.125W1%+/-100PPM5111
R702	0757-0394	1	RESISTOR 51.1 +-1% .125W TF TC=0+-100	05524	CMF-5551R1FT-1
R703	0757-0394	1	RESISTOR 51.1 +-1% .125W TF TC=0+-100	05524	CMF-5551R1FT-1
R704	0757-0401	1	RESISTOR 100 +-1% .125W TF TC=0+-100	05524	CMF-551000FT-1
R705	0757-0442	1	RESISTOR 10K +-1% .125W TF TC=0+-100	05524	CMF-551002FT-1
R706	0757-0440	1	RESISTOR 7.5K +-1% .125W TF TC=0+-100	05524	CMF-557501FT-1
R710	0757-0465	1	RESISTOR 100K +-1% .125W TF TC=0+-100	05524	CMF-551003FT-1
R711	0757-0442	1	RESISTOR 10K +-1% .125W TF TC=0+-100	05524	CMF-551002FT-1
R712	0757-0418	1	RESISTOR 619 +-1% .125W TF TC=0+-100	05524	CMF-556190FT-1

*Indicates factory-selected value

HP Part Number 08563-60103
Log Amplifier/Cal Oscillator (continued)

Reference Designator	HP Part Number	Qty	Description	Mfr Code	Mfr Part Number
R713	0757-0123	1	RESISTOR 34.8K +-1% .125W TF TC=0+-100	05524	CMF-553482FT-1
R714	0757-0463	1	RESISTOR 82.5K +-1% .125W TF TC=0+-100	05524	CMF-558252FT-1
R715	0757-0460	1	RESISTOR 61.9K +-1% .125W TF TC=0+-100	06424	NK4H.125W1%+/-100PPM6192
R716	0757-0458	1	RESISTOR 51.1K +-1% .125W TF TC=0+-100	06424	NK4H.125W1%+/-100PPM5112
R717	0757-0458	1	RESISTOR 51.1K +-1% .125W TF TC=0+-100	06424	NK4H.125W1%+/-100PPM5112
R718	0757-0465	1	RESISTOR 100K +-1% .125W TF TC=0+-100	05524	CMF-551003FT-1
R719	0757-0465	1	RESISTOR 100K +-1% .125W TF TC=0+-100	05524	CMF-551003FT-1
R720	0757-0465	1	RESISTOR 100K +-1% .125W TF TC=0+-100	05524	CMF-551003FT-1
R721	0757-0465	1	RESISTOR 100K +-1% .125W TF TC=0+-100	05524	CMF-551003FT-1
R723	0757-0440	1	RESISTOR 7.5K +-1% .125W TF TC=0+-100	05524	CMF-557501FT-1
R724	0757-0399	1	RESISTOR 82.5 +-1% .125W TF TC=0+-100	06424	NK4H.125W1%+/-100PPM82R5
R735	0698-8817	1	RESISTOR 2.61 +-1% .125W TF TC=0+-100	05524	CMF-552R61FT-1
R736	0757-0395	1	RESISTOR 56.2 +-1% .125W TF TC=0+-100	05524	CMF-5556R2FT-1
R737	0698-3153	1	RESISTOR 3.83K +-1% .125W TF TC=0+-100	05524	CMF-553831FT-1
R738	0698-8818	1	RESISTOR 3.16 +-1% .125W TF TC=0+-100	05524	CMF-553R16FT-1
R740	0698-7236	1	RESISTOR 1K +-1% .05W TF TC=0+-100	06424	NK3H.05W1%+/-100PPM1001
R801	0757-0465	1	RESISTOR 100K +-1% .125W TF TC=0+-100	05524	CMF-551003FT-1
R802	0698-6376	1	RESISTOR 200K +-0.1% .125W TF TC=0+-25	05524	CMF-552003BT-9
R803	0757-0123	1	RESISTOR 34.8K +-1% .125W TF TC=0+-100	05524	CMF-553482FT-1
R804	0698-3439	1	RESISTOR 178 +-1% .125W TF TC=0+-100	05524	CMF-551780FT-1
R805	0757-0439	1	RESISTOR 6.81K +-1% .125W TF TC=0+-100	05524	CMF-556811FT-1
R806	0757-0442	1	RESISTOR 10K +-1% .125W TF TC=0+-100	05524	CMF-551002FT-1
R807	0757-0442	1	RESISTOR 10K +-1% .125W TF TC=0+-100	05524	CMF-551002FT-1
R808	0757-0280	1	RESISTOR 1K +-1% .125W TF TC=0+-100	05524	CMF-551001FT-1
R809	0757-0416	1	RESISTOR 511 +-1% .125W TF TC=0+-100	06424	NK4H.125W1%+/-100PPM511R0
R810	0757-0346	1	RESISTOR 10 +-1% .125W TF TC=0+-100	06424	NK4H.125W1%+/-100PPM10R0
R811	0757-0401	1	RESISTOR 100 +-1% .125W TF TC=0+-100	05524	CMF-551000FT-1
R812	0757-0442	1	RESISTOR 10K +-1% .125W TF TC=0+-100	05524	CMF-551002FT-1
R813	0757-0440	1	RESISTOR 7.5K +-1% .125W TF TC=0+-100	05524	CMF-557501FT-1
R814	0698-0083	1	RESISTOR 1.96K +-1% .125W TF TC=0+-100	06424	NK4H.125W1%+/-100PPM1961
R815	0698-3159	1	RESISTOR 26.1K +-1% .25W TF TC=0+-100	05524	CMF-552612FT-1
R816	0757-0440	1	RESISTOR 7.5K +-1% .125W TF TC=0+-100	05524	CMF-557501FT-1
R817	0757-0428	1	RESISTOR 1.62K +-1% .125W TF TC=0+-100	05524	CMF-551621FT-1
R818	0757-0441	1	RESISTOR 8.25K +-1% .125W TF TC=0+-100	06424	NK4H.125W1%+/-100PPM8251
R819	0698-0084	1	RESISTOR 2.15K +-1% .125W TF TC=0+-100	06424	NK4H.125W1%+/-100PPM2151

HP Part Number 08563-60103
Log Amplifier/Cal Oscillator (continued)

Reference Designator	HP Part Number	Qty	Description	Mfr Code	Mfr Part Number
R820	0757-0442	1	RESISTOR 10K +-1% .125W TF TC=0+-100	05524	CMF-551002FT-1
R821	0698-3156	1	RESISTOR 14.7K +-1% .125W TF TC=0+-100	05524	CMF-551472FT-1
R822	0757-0401	1	RESISTOR 100 +-1% .125W TF TC=0+-100	05524	CMF-551000FT-1
R823	0757-1094	1	RESISTOR 1.47K +-1% .125W TF TC=0+-100	05524	CMF-551471FT-1
R824	0757-0416	1	RESISTOR 511 +-1% .125W TF TC=0+-100	06424	NK4H.125W1%+/-100PPM511R0
R825	0698-3450	1	RESISTOR 42.2K +-1% .125W TF TC=0+-100	06424	NK4H.125W1%+/-100PPM4222
R826	2100-3091	1	RESISTOR-TRMR 2K 10% TKF TOP-ADJ 17-TRN	04568	67WR
R827	0698-0084	1	RESISTOR 2.15K +-1% .125W TF TC=0+-100	06424	NK4H.125W1%+/-100PPM2151
R828	0757-0465	1	RESISTOR 100K +-1% .125W TF TC=0+-100	05524	CMF-551003FT-1
R829	0757-0458	1	RESISTOR 51.1K +-1% .125W TF TC=0+-100	06424	NK4H.125W1%+/-100PPM5112
R830	0757-0465	1	RESISTOR 100K +-1% .125W TF TC=0+-100	05524	CMF-551003FT-1
R832	0757-0280	1	RESISTOR 1K +-1% .125W TF TC=0+-100	05524	CMF-551001FT-1
R833	0757-0382	1	RESISTOR 16.2 +-1% .125W TF TC=0+-100	05524	CMF-5516R2FT-1
R834	0757-0180	1	RESISTOR 31.6 +-1% .125W TF TC=0+-100	06424	NK4H.125W1%+/-100PPM31R6
R835	0757-0442	1	RESISTOR 10K +-1% .125W TF TC=0+-100	05524	CMF-551002FT-1
R836	0698-3136	1	RESISTOR 17.8K +-1% .125W TF TC=0+-100	05524	CMF-551782FT-1
R837	0757-0416	1	RESISTOR 511 +-1% .125W TF TC=0+-100	06424	NK4H.125W1%+/-100PPM511R0
R838	0757-0379	1	RESISTOR 12.1 +-1% .125W TF TC=0+-100	05524	CMF-5512R1FT-1
R839	0757-0394	1	RESISTOR 51.1 +-1% .125W TF TC=0+-100	05524	CMF-5551R1FT-1
R841	0757-0416	1	RESISTOR 511 +-1% .125W TF TC=0+-100	06424	NK4H.125W1%+/-100PPM511R0
R842	8159-0005	1	RESISTOR 0 CWM	02499	YZO 1/4
R845	0757-0401	1	RESISTOR 100 +-1% .125W TF TC=0+-100	05524	CMF-551000FT-1
R846	0757-0398	1	RESISTOR 75 +-1% .125W TF TC=0+-100	05524	CMF-5575R0FT-1
RT560	0839-0011	1	THERMISTOR DISC 100-OHM TC=-3.8%/C-DEG	05098	21E23/7
RT562	0837-0380	1	THERMISTOR TUB WITH AXL LEADS 50K-OHM	24810	MSC 503K
T1	9100-4444	1	TRANSFORMER-RF INPUT IMP.:50 OHMS	02739	T1-1T-X65
U101	1820-3847	1	IC DCDR-DEMUXR CMOS/HCT BIN 3-TO-8-LINE	01698	SN74HCT138N
U102	1826-1234	1	D/A 8-BIT 20-CERDIP CMOS	03285	AD7226BQ
U103	1820-4465	1	IC FF CMOS/HCT D-TYPE POS-EDGE-TRIG COM	02910	74HCT377N
U104	1820-4465	1	IC FF CMOS/HCT D-TYPE POS-EDGE-TRIG COM	02910	74HCT377N
U105	1820-4465	1	IC FF CMOS/HCT D-TYPE POS-EDGE-TRIG COM	02910	74HCT377N
U106	1826-0161	1	IC OP AMP GP QUAD 14 PIN DIP-P	03406	LM324N
U107	BB1858-0008KI	1		28480	BB1858-0008KI
U108	1826-0161	1	IC OP AMP GP QUAD 14 PIN DIP-P	03406	LM324N
U201	1858-0153	1	TRANSISTOR ARRAY 16-LEAD PLSTC DIP	37338	CA3127ER4102

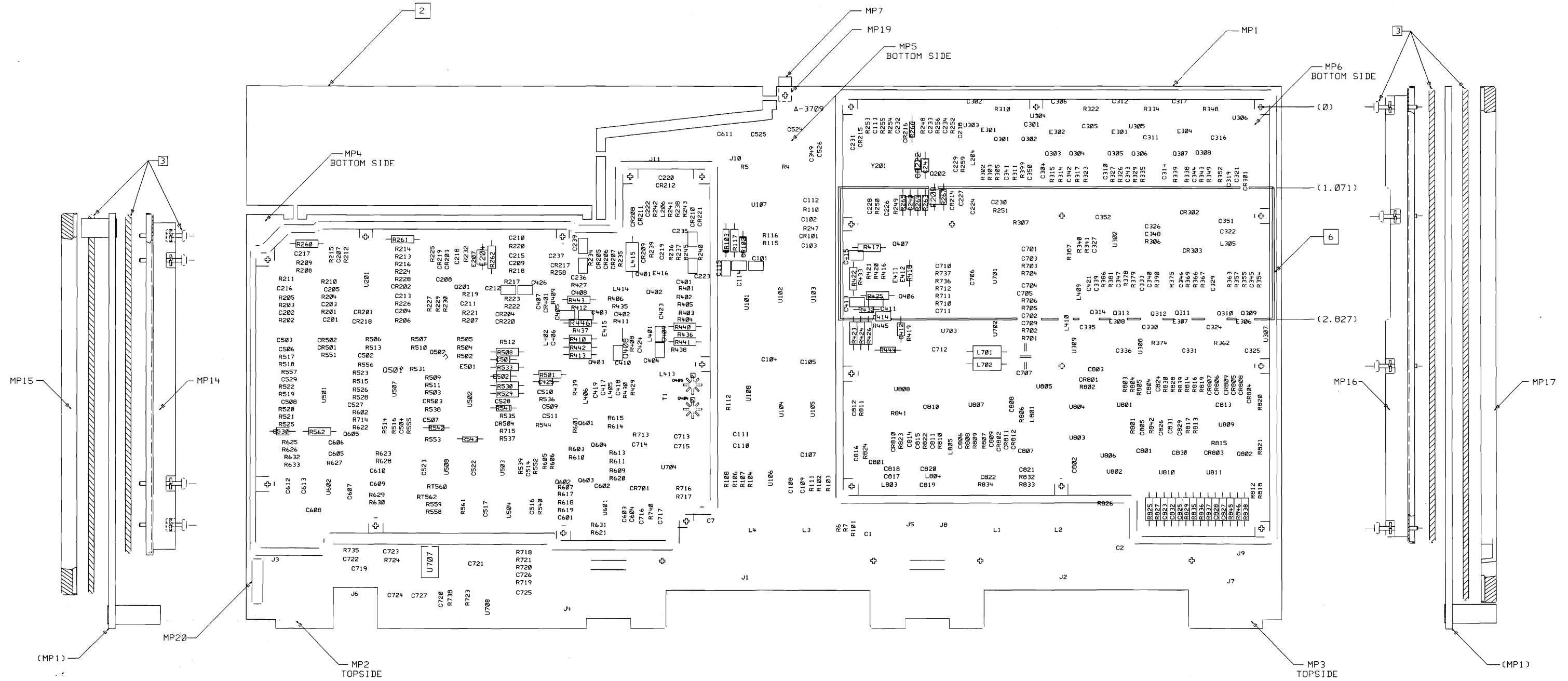
*Indicates factory-selected value

CLIP 08563-90166 19

HP Part Number 08563-60103
Log Amplifier/Cal Oscillator (continued)

Reference Designator	HP Part Number	Qty	Description	Mfr Code	Mfr Part Number
U302	1826-0139	1	IC OP AMP GP DUAL 8 PIN DIP-P	03406	LM1458N
U303	1810-1329	1	NET-RES 7 22.0 OHM 8-PIN MULTI-VAL	02483	064-572-069
U304	1810-1329	1	NET-RES 7 22.0 OHM 8-PIN MULTI-VAL	02483	064-572-069
U305	1810-1329	1	NET-RES 7 22.0 OHM 8-PIN MULTI-VAL	02483	064-572-069
U306	1810-1329	1	NET-RES 7 22.0 OHM 8-PIN MULTI-VAL	02483	064-572-069
U307	1810-1329	1	NET-RES 7 22.0 OHM 8-PIN MULTI-VAL	02483	064-572-069
U308	1810-1329	1	NET-RES 7 22.0 OHM 8-PIN MULTI-VAL	02483	064-572-069
U309	1810-1329	1	NET-RES 7 22.0 OHM 8-PIN MULTI-VAL	02483	064-572-069
U501	1858-0153	1	TRANSISTOR ARRAY 16-LEAD PLSTC DIP	37338	CA3127ER4102
U502	1858-0153	1	TRANSISTOR ARRAY 16-LEAD PLSTC DIP	37338	CA3127ER4102
U503	1826-1940	1	IC OP AMP HS 8 PIN DIP-P	03285	AD847JN
U504	1826-1940	1	IC OP AMP HS 8 PIN DIP-P	03285	AD847JN
U507	1826-1135	1	IC OP AMP PRCN 8 PIN DIP-C	03285	OP-27EZ
U508	1826-1970	1	IC OP AMP HS 8 PIN DIP-P	03285	AD848JN
U601	1826-1940	1	IC OP AMP HS 8 PIN DIP-P	03285	AD847JN
U602	1826-2412	1	IC OP AMP LOW-NOISE DUAL 8 PIN DIP-P	02910	NE5532AN
U701	1826-1326	1	IC RF/IF AMPL 16 PIN DIP-P	28480	1826-1326
U702	1826-1461	1	IC OP AMP LOW-BIAS-H-IMPD 8 PIN DIP-P	01698	TL071ACP
U703	1820-3537	1	IC FF CMOS/HCT D-TYPE POS-EDGE-TRIG	01698	CD74HCT74E
U704	1820-5069	1	IC ANLG-MUXR/DEMUXR CMOS/HC 8-CHANNEL	02237	MM74HC4051N
U707	1826-0682	1	IC AUDIO AMPL PWR 8 PIN DIP-P	03406	LM386N-1
U708	1826-0547	1	IC OP AMP LOW-BIAS-H-IMPD DUAL 8 PIN	01698	TL072ACP
U801	1810-0947	1	NET-RES 5 10.0K OHM 6-PIN MULTI-VAL	05524	MSP06A00-S56
U802	1826-1361	1	ANALOG SWITCH 4 SPST 16 -DIP-P	02883	DG212CJ
U803	1826-0610	1	ANALOG MULTIPLEXER 4 CHNL 16 -CERDIP	03285	MUX-24FQ
U804	1826-0600	1	IC OP AMP LOW-BIAS-H-IMPD QUAD 14 PIN	01698	TL074ACN
U805	1810-0946	1	NET-RES 5 50.0K OHM 6-PIN MULTI-VAL	05524	MSP06A00-S55
U806	1810-0542	1	NET-RES 5 10.0K OHM 10-PIN	06252	750-103-R10K
U807	1820-2622	1	IC OSC TTL/LS	01698	SN74LS624N
U808	1820-3405	1	IC MISC CMOS 4-BIT	28480	1820-3405
U809	1820-3537	1	IC FF CMOS/HCT D-TYPE POS-EDGE-TRIG	01698	CD74HCT74E
U810	1826-1461	1	IC OP AMP LOW-BIAS-H-IMPD 8 PIN DIP-P	01698	TL071ACP
U811	1820-3207	1	IC CNTR CMOS/HC BI-QUINARY ASYNCHRO	36633	MC74HC390AN
Y201	0410-2140	1	PRECISION BULK MODE-AT	03747	0410-2140

5300		D-08563-60103-2	
SYM	REVISIONS	APPROVED	DATE
A	AS ISSUED PER PCO 53-09857/DM		



- NOTES: UNLESS OTHERWISE SPECIFIED
1. DIMENSIONS ARE IN INCHES.
 2. REMOVE TAB AFTER WAVE SOLDER.
 3. SCREWS FOR SHIELDS (23 PER BOARD) AND SPIRO-GASKET ARE ON MATERIAL LIST FOR SHIELDS. MAKE SURE THAT ALL THE PARTS ARE INTACT.
 4. ASSURE THAT THE FOLLOWING PINS HAVE BEEN REMOVED, J9 PIN 9, J10 PIN 9 AND J11 PIN 9, PRIOR TO ASSEMBLY AND MACHINE SOLDER.
 5. MAXIMUM LEAD TRIM LENGTH .118
 6. MAXIMUM COMPONENT HEIGHT .350 OUTSIDE RECTANGLE. .270 INSIDE RECTANGLE.
 7. INSTALL TRANSISTOR MOUNTS (MP8-13 AND MP21) UNDER 0501, 0502, 0601, 0602, 0603, 0604 AND 0605.
 8. USE RAW BOARD 08563-20103.

AGILENT TECHNOLOGIES
RESTRICTED
THIS DOCUMENT CONTAINS CONFIDENTIAL,
PROPRIETARY INFORMATION THAT IS
AGILENT TECHNOLOGIES PROPERTY. DO NOT
DISCLOSE TO OR DUPLICATE FOR OTHERS EXCEPT
AS AUTHORIZED BY AGILENT TECHNOLOGIES.

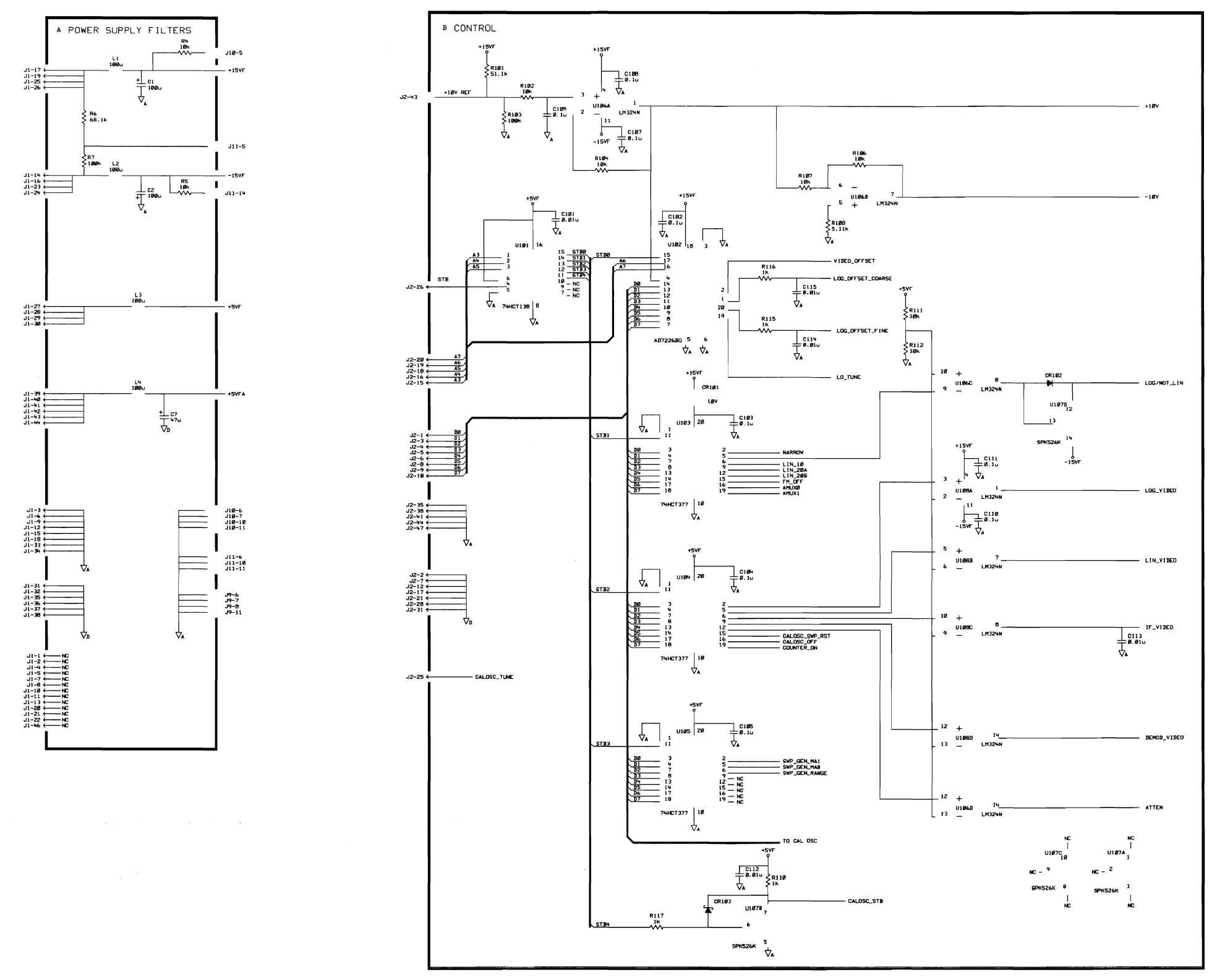
UNLESS OTHERWISE SPECIFIED,
DIMENSIONS ARE IN INCHES.
TOLERANCES: XX.XXX ±.010
 XX.XX ±.02
THIRD ANGLE
PROJECTION
DO NOT SCALE THIS DRAWING

DRAWN BY	DATE
ENGINEER/CHECKER	DATE
RELEASE TO PROD.	DATE
SUPERSEDES DWG.	

ASSEMBLY, PWB
LOG AMPLIFIER

select103 FILENAME	Agilent Technologies
SCALE NONE	
SHEET 1 of 1	08563-60103 PART NUMBER
D-08563-60103-2	

TITLE



J1

PIN	SIGNAL	TO/FROM	FUNCTION BLOCK
1	NC	NC	A
2	NC	NC	A
3	AGND	AGJ1-3	A
4	NC	NC	A
5	NC	NC	A
6	AGND	AGJ1-6	A
7	NC	NC	A
8	NC	NC	A
9	AGND	AGJ1-9	A
10	FST_SCAN_RAMP	NC	A
11	NC	NC	A
12	AGND	AGJ1-12	A
13	2.5V	NC	A
14	-15V	AGJ1-14	A
15	AGND	AGJ1-15	A
16	-15V	AGJ1-16	A
17	-15V	AGJ1-17	A
18	AGND	AGJ1-18	A
19	-15V	AGJ1-19	A
20	-25V	NC	A
21	AGND	NC	A
22	REF_UP	NC	A
23	-15V	AGJ1-23	A
24	-15V	AGJ1-24	A
25	-15V	AGJ1-25	A
26	-15V	AGJ1-26	A
27	-25V	AGJ1-27	A
28	-25V	AGJ1-28	A
29	-25V	AGJ1-29	A
30	-25V	AGJ1-30	A
31	-25V	AGJ1-31	A
32	AGND	AGJ1-32	A
33	AGND	AGJ1-33	A
34	REF_UP	NC	A
35	AGND	AGJ1-35	A
36	AGND	AGJ1-36	A
37	AGND	AGJ1-37	A
38	AGND	AGJ1-38	A
39	-25V	AGJ1-39	A
40	-25V	AGJ1-40	A
41	-25V	AGJ1-41	A
42	-25V	AGJ1-42	A
43	-25V	AGJ1-43	A
44	-25V	AGJ1-44	A
45	-25V	AGJ1-45	A
46	LINE_TRIGGER	AGJ1-46	A
47	AGND	AGJ1-47	A
48	-15V	AGJ1-48	A
49	-15V	AGJ1-49	A
50	-15V	AGJ1-50	A

J2

PIN	SIGNAL	TO/FROM	FUNCTION BLOCK
1	DB	A312-1	B
2	DB	A312-2	B
3	DB	A312-3	B
4	NC	A312-4	B
5	DB	A312-5	B
6	NC	A312-6	B
7	DB	A312-7	B
8	NC	A312-8	B
9	DB	A312-9	B
10	NC	A312-10	B
11	DB	A312-11	B
12	DB	A312-12	B
13	NC	A312-13	B
14	DB	A312-14	B
15	DB	A312-15	B
16	DB	A312-16	B
17	AGND	A312-17	B
18	AGND	A312-18	B
19	DB	A312-19	B
20	DB	A312-20	B
21	DB	A312-21	B
22	REF_UP	NC	B
23	LFC_VIB	NC	B
24	LFC_VIB	NC	B
25	CALOSC_TUNE	A312-25	B
26	LLG_STE	A312-26	B
27	NC	A312-27	B
28	REF_FLSE	A312-28	B
29	REF_FLSE	A312-29	B
30	HSCAN	NC	B
31	AGND	A312-31	B
32	RESERVED	NC	B
33	REF_UP	NC	B
34	REF_UP	NC	B
35	AGND	A312-35	B
36	REF_FLSE	A312-36	B
37	LLG_ERR	NC	B
38	AGND	A312-38	B
39	NC	A312-39	B
40	REF_UP	NC	B
41	AGND	A312-41	B
42	REF_FLSE	A312-42	B
43	REF_FLSE	A312-43	B
44	AGND	A312-44	B
45	SCAN_RAMP	A312-45	B
46	VIDEO_TRIGGER	NC	B
47	AGND	A312-47	B
48	NC	NC	B
49	REF_FLSE	NC	B
50	REF_FLSE	NC	B

J6

PIN	SIGNAL	TO/FROM	FUNCTION BLOCK
1	VOL RETURN	FRONT PANEL	T
2	VOL	FRONT PANEL	T
3	AUDIO	REAR PANEL J1	T
4	SW AUDIO	REAR PANEL J1	T
5	DB	NC	A
6	SPKR RETURN	LS1/J1	T

J9

PIN	SIGNAL	TO/FROM	FUNCTION BLOCK
1	HIS	NC	Z
2	HIS	NC	Z
3	HIS	NC	Z
4	HIS	NC	Z
5	HIS	NC	Z
6	GN	NC	A
7	TAB	NC	A
8	TAB	NC	A
9	NC (KEY)	NC	A
10	TAB	NC	A
11	TAB	NC	A
12	HIS	NC	Z
13	HIS	NC	Z
14	HIS	NC	Z
15	HIS	NC	Z
16	NC	NC	A

J10

PIN	SIGNAL	TO/FROM	FUNCTION BLOCK
1	HIS	NC	Z
2	HIS	NC	Z
3	HIS	NC	Z
4	HIS	NC	Z
5	HIS	NC	Z
6	GN	NC	A
7	TAB	NC	A
8	TAB	NC	A
9	NC (KEY)	NC	A
10	TAB	NC	A
11	TAB	NC	A
12	TAB	NC	A
13	HIS	NC	Z
14	HIS	NC	Z
15	HIS	NC	Z
16	NC	NC	A

J11

PIN	SIGNAL	TO/FROM	FUNCTION BLOCK
1	HIS	NC	Z
2	HIS	NC	Z
3	HIS	NC	Z
4	HIS	NC	Z
5	HIS	NC	Z
6	GN	NC	A
7	TAB	NC	A
8	TAB	NC	A
9	NC (KEY)	NC	A
10	TAB	NC	A
11	TAB	NC	A
12	TAB	NC	A
13	HIS	NC	Z
14	HIS	NC	Z
15	HIS	NC	Z
16	NC	NC	A

NOTES:
 1. REFERENCE DESIGNATORS WITHIN THIS ASSEMBLY ARE ABBREVIATED. PREFIX ABBREVIATION WITH ASSEMBLY NUMBER FOR COMPLETE REFERENCE DESIGNATOR.
 2. UNLESS OTHERWISE INDICATED: RESISTANCE IN OHMS (Ω); CAPACITANCE IN MICROFARADS (μF); INDUCTANCE IN MICROHENRIES (μH)

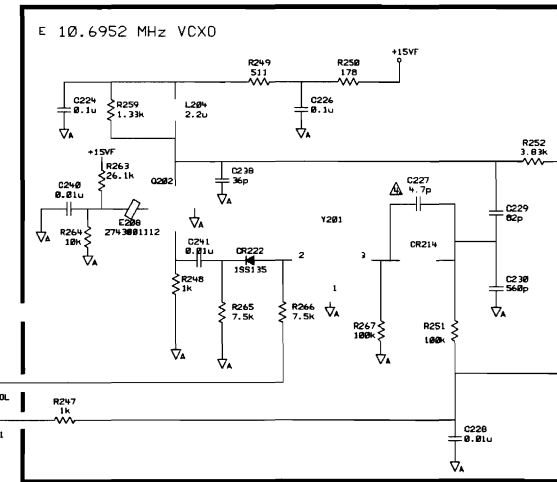
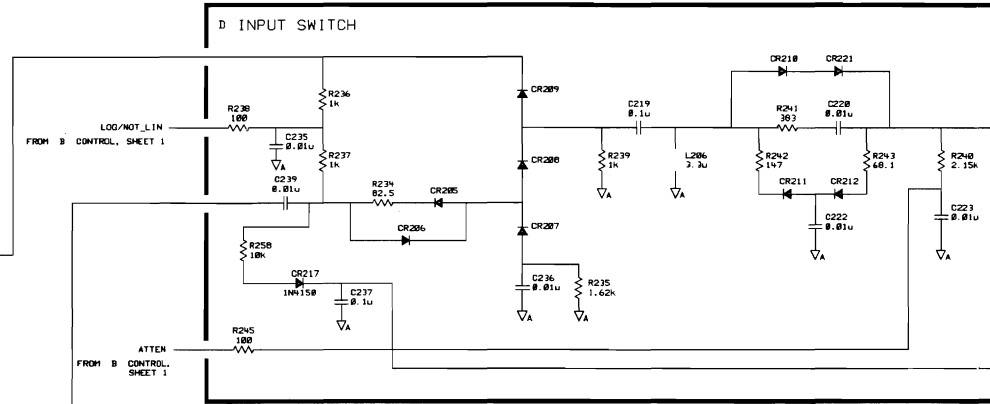
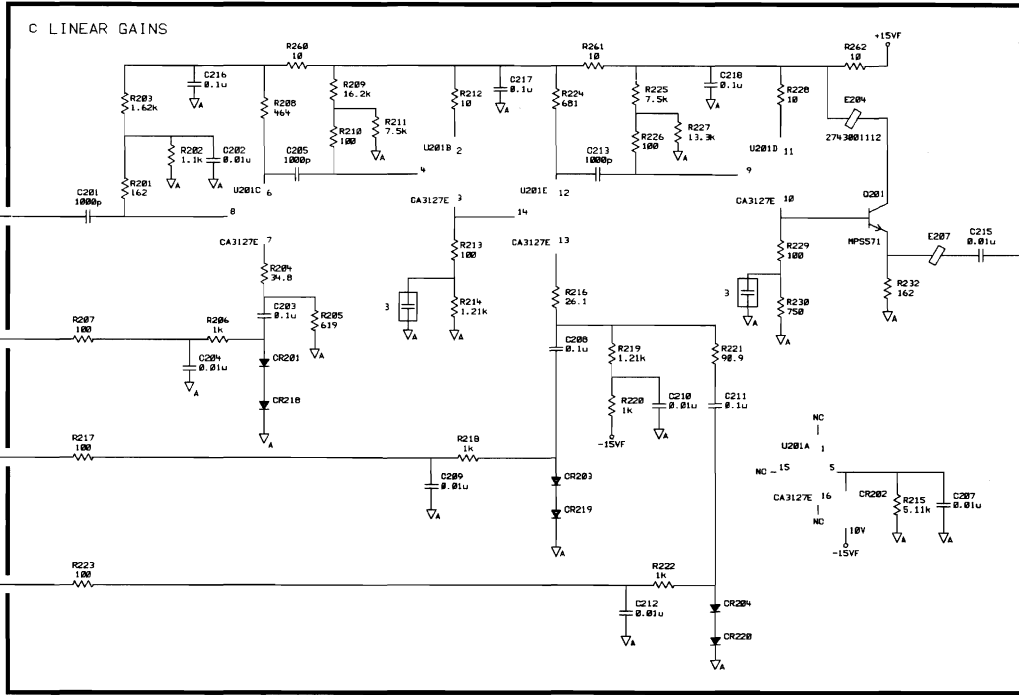
NOTE: HATCHED COMPONENTS ARE NOT LOADED FOR THIS ASSEMBLY.

RAW BOARD - 08563-20103

<p>AGILENT TECHNOLOGIES RESTRICTED THIS DOCUMENT CONTAINS CONFIDENTIAL, PROPRIETARY INFORMATION THAT IS AGILENT TECHNOLOGIES PROPERTY. DO NOT DISCLOSE TO OR DUPLICATE FOR OTHERS EXCEPT AS AUTHORIZED BY AGILENT TECHNOLOGIES.</p>	<p>DRAWN BY _____ DATE _____</p>	<p>SCHEMATIC, PWA LOG AMPLIFIER</p>	<p>s1act103 FILENAME</p>
	<p>ENGINEER/CHECKER _____ DATE _____</p>		<p>SCALE NONE</p>
	<p>RELEASE TO PROD. _____ DATE _____</p>		<p>SHEET 1 OF 4</p>
	<p>SUPERSEDES DWG. _____</p>		<p>TITLE</p>

1 OF 4 08563-60103 PART NUMBER
 -08563-60103-1

5300 CA3709		-08563-60103-1	
SYM	REVISIONS	APPROVED	DATE
A	AS ISSUED PER PCO 53-09857/DM		02-20-97
B	CHANGED PER PCO #53-11950 /HK		05-22-98
C	CHANGED PER PCO 53-13249 /GH		03-03-99

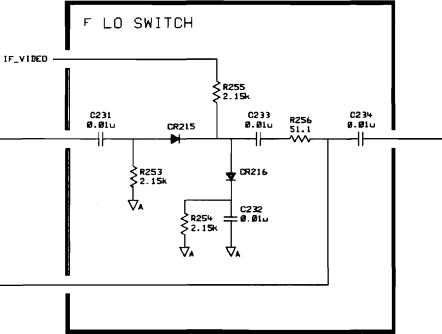


NOTES:

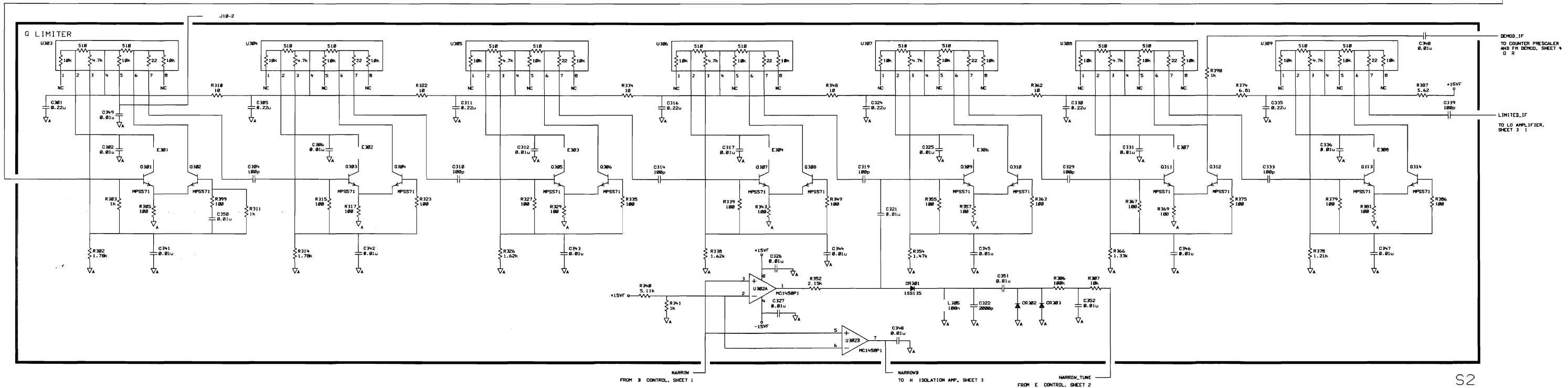
- REFERENCE DESIGNATORS WITHIN THIS ASSEMBLY ARE ABBREVIATED. PREFIX ABBREVIATION WITH ASSEMBLY NUMBER FOR COMPLETE REFERENCE DESIGNATOR.
- UNLESS OTHERWISE INDICATED: RESISTANCE IN OHMS (Ω) CAPACITANCE IN MICROFARADS (μF) INDUCTANCE IN MICROHENRIES (μH)
- THIS CAPACITANCE IS NOT A DISCRETE COMPONENT. IT IS FORMED BY THE LAYERS OF THE PCB BOARD. DO NOT CHANGE THE PCB LAYOUT IN THIS AREA.

△ C227 IS A FACTORY SELECT COMPONENT ALLOWABLE REPLACEMENT VALUES ARE:
 0160-4776 3.7p
 0160-4797 3.3p
 0160-4798 2.7p

▨ NOTE: HATCHED COMPONENTS ARE NOT LOADED FOR THIS ASSEMBLY.
 RAW BOARD = 08563-20103



J3
 FILTERED 10.7 MHz



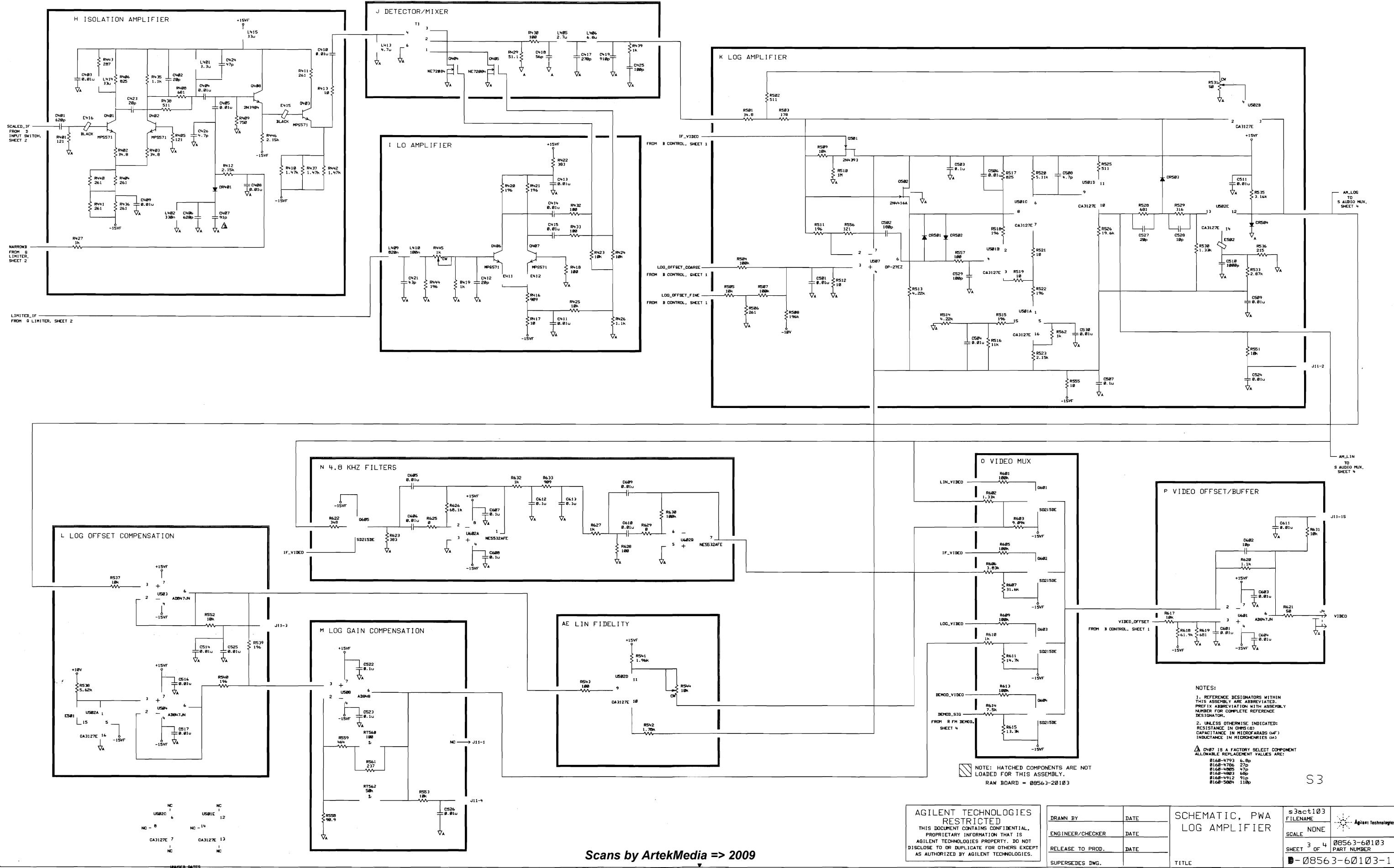
AGILENT TECHNOLOGIES
 RESTRICTED
 THIS DOCUMENT CONTAINS CONFIDENTIAL,
 PROPRIETARY INFORMATION THAT IS
 AGILENT TECHNOLOGIES PROPERTY. DO NOT
 DISCLOSE TO OR DUPLICATE FOR OTHERS EXCEPT
 AS AUTHORIZED BY AGILENT TECHNOLOGIES.

DRAWN BY	DATE
ENGINEER/CHECKER	DATE
RELEASE TO PROD.	DATE
SUPERSEDES DWG.	

SCHEMATIC, PWA
 LOG AMPLIFIER

s2act103	Agilent Technologies
FILENAME	NONE
SCALE	2 of 4
SHEET	08563-60103
PART NUMBER	-08563-60103-1

5300	CA 3709	08563-60103-1
SYN	REVISIONS	APPROVED
A	AS ISSUED PER PCO 53-09857/DM	DATE
B	CHANGED PER PCO #53-11950 /HK	02-20-97
C	CHANGED PER PCO 53-13249 /GH	05-22-98
		03-03-99



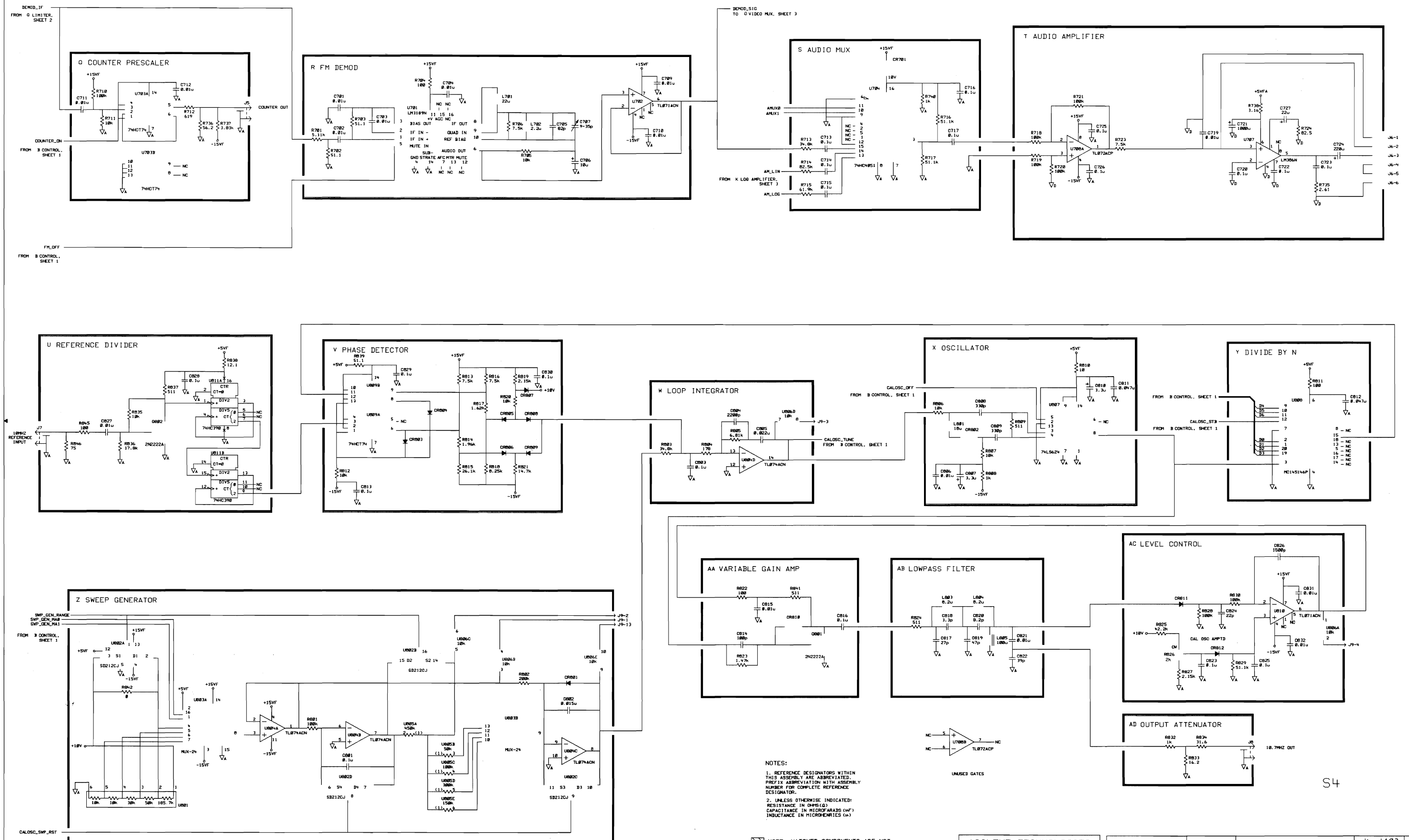
NOTES:
 1. REFERENCE DESIGNATORS WITHIN THIS ASSEMBLY ARE ABBREVIATED. PREFIX ABBREVIATION WITH ASSEMBLY NUMBER FOR COMPLETE REFERENCE DESIGNATORS.
 2. UNLESS OTHERWISE INDICATED: RESISTANCE IN OHMS (Ω) CAPACITANCE IN MICROFARADS (μF) INDUCTANCE IN MICROHENRIES (μH)
 Δ D487 IS A FACTORY SELECT COMPONENT ALLOWABLE REPLACEMENT VALUES ARE:
 R168-4793 6.8Ω
 R168-4786 27Ω
 R168-4805 17Ω
 R168-4803 68Ω
 R168-4912 91Ω
 R168-5804 118Ω

NOTE: HATCHED COMPONENTS ARE NOT LOADED FOR THIS ASSEMBLY.
 RAW BOARD = 08563-20103

AGILENT TECHNOLOGIES
 RESTRICTED
 THIS DOCUMENT CONTAINS CONFIDENTIAL, PROPRIETARY INFORMATION THAT IS AGILENT TECHNOLOGIES PROPERTY. DO NOT DISCLOSE TO OR DUPLICATE FOR OTHERS EXCEPT AS AUTHORIZED BY AGILENT TECHNOLOGIES.

DRWN BY	DATE	SCHEMATIC, PWA LOG AMPLIFIER	s3act103 FILENAME	Agilent Technologies		
ENGR/CHKR	DATE				SCALE	NONE
RELEASE TO PROD.	DATE				SHEET	3 OF 4
SUPERSEDES DWG.	DATE				OF	08563-60103 PART NUMBER

5300 CA3709		-08563-60103-1	
SYM	REVISIONS	APPROVED	DATE
A	AS ISSUED PER PCO 53-09857/DM		02-20-97
B	CHANGED PER PCO #53-11950 /HK		05-22-98
C	CHANGED PER PCO 53-13249 /GH		03-03-99



NOTES:
 1. REFERENCE DESIGNATORS WITHIN THIS ASSEMBLY ARE ABBREVIATED. PREFER ABBREVIATION WITH ASSEMBLY NUMBER FOR COMPLETE REFERENCE DESIGNATOR.
 2. UNLESS OTHERWISE INDICATED: RESISTANCE IN OHMS (Ω) CAPACITANCE IN MICROFARADS (μF) INDUCTANCE IN MICRORHENRIES (μH)

NOTE: HATCHED COMPONENTS ARE NOT LOADED FOR THIS ASSEMBLY.
 RAW BOARD = 08563-20103

AGILENT TECHNOLOGIES
 RESTRICTED
 THIS DOCUMENT CONTAINS CONFIDENTIAL, PROPRIETARY INFORMATION THAT IS AGILENT TECHNOLOGIES PROPERTY. DO NOT DISCLOSE TO OR DUPLICATE FOR OTHERS EXCEPT AS AUTHORIZED BY AGILENT TECHNOLOGIES.

DRAWN BY	DATE	SCHEMATIC, PWA LOG AMPLIFIER	s4act103 FILENAME	Agilent Technologies		
ENGINEER/CHECKER	DATE				SCALE NONE	
RELEASE TO PROD.	DATE				SHEET 4 OF 4	08563-60103 PART NUMBER
SUPERSEDES DWG.					-08563-60103-1	

Component-Level Information Packet for 08563-60123

10.7 Filter



**HP Part No. 08563-90186
Printed in USA May 2000**

Notice. The information contained in this document is subject to change without notice.

Hewlett-Packard makes no warranty of any kind with regard to this material, including, but not limited to, the implied warranties of merchantability and fitness for a particular purpose. Hewlett-Packard shall not be liable for errors contained herein or for incidental or consequential damages in connection with the furnishing, performance, or use of this material.

HP Part Number 08563-60123

10.7 Filter

Reference Designator	HP Part Number	Qty	Description	Mfr Code	Mfr Part Number
C1	0180-3766	1	CAP-FXD 220uF +-20% 25 V AL-ELCTLT	00779	TVX1E221MAA
C2	0180-3766	1	CAP-FXD 220uF +-20% 25 V AL-ELCTLT	00779	TVX1E221MAA
C100	0160-4832	1	CAP-FXD 0.01uF +-10% 100 V CER X7R	02010	SA101C103KAAH
C101	0160-3879	1	CAP-FXD 0.01uF +-20% 100 V CER X7R	06352	FD12X7R2A103M
C102	0160-3879	1	CAP-FXD 0.01uF +-20% 100 V CER X7R	06352	FD12X7R2A103M
C103	0160-3874	1	CAP-FXD 10pF +-5% 200 V CER C0G	06352	FD12C0G2D100D
C104	0160-3879	1	CAP-FXD 0.01uF +-20% 100 V CER X7R	06352	FD12X7R2A103M
C105	0160-4084	1	CAP-FXD 0.1uF +-20% 50 V CER X7R	02010	SR215C104MAAH
C106	0160-3879	1	CAP-FXD 0.01uF +-20% 100 V CER X7R	06352	FD12X7R2A103M
C107	0160-4040	1	CAP-FXD 1000pF +-5% 100 V CER C0G	06352	FD12C0G2A102J
C108	0160-3879	1	CAP-FXD 0.01uF +-20% 100 V CER X7R	06352	FD12X7R2A103M
C109	0160-3879	1	CAP-FXD 0.01uF +-20% 100 V CER X7R	06352	FD12X7R2A103M
C110	0160-3879	1	CAP-FXD 0.01uF +-20% 100 V CER X7R	06352	FD12X7R2A103M
C111	0160-3879	1	CAP-FXD 0.01uF +-20% 100 V CER X7R	06352	FD12X7R2A103M
C112	0160-3879	1	CAP-FXD 0.01uF +-20% 100 V CER X7R	06352	FD12X7R2A103M
C113	0160-4084	1	CAP-FXD 0.1uF +-20% 50 V CER X7R	02010	SR215C104MAAH
C200	0160-4557	1	CAP-FXD 0.1uF +-20% 50 V CER X7R	02010	SA305C104MAAH
C201	0160-4557	1	CAP-FXD 0.1uF +-20% 50 V CER X7R	02010	SA305C104MAAH
C202	0160-4822	1	CAP-FXD 1000pF +-5% 100 V CER C0G	02010	SA201A102JAAH
C203	0160-4832	1	CAP-FXD 0.01uF +-10% 100 V CER X7R	02010	SA101C103KAAH
C204	0160-5699	1	CAP-FXD 20pF +-5% 100 V CER C0G	06352	DA12C0G2A200J
C205	0160-4832	1	CAP-FXD 0.01uF +-10% 100 V CER X7R	02010	SA101C103KAAH
C206	0160-4832	1	CAP-FXD 0.01uF +-10% 100 V CER X7R	02010	SA101C103KAAH
C207	0160-4832	1	CAP-FXD 0.01uF +-10% 100 V CER X7R	02010	SA101C103KAAH
C208	0160-4832	1	CAP-FXD 0.01uF +-10% 100 V CER X7R	02010	SA101C103KAAH
C209	0160-3879	1	CAP-FXD 0.01uF +-20% 100 V CER X7R	06352	FD12X7R2A103M
C210	0160-3879	1	CAP-FXD 0.01uF +-20% 100 V CER X7R	06352	FD12X7R2A103M
C211	0160-4557	1	CAP-FXD 0.1uF +-20% 50 V CER X7R	02010	SA305C104MAAH
C212	0160-4557	1	CAP-FXD 0.1uF +-20% 50 V CER X7R	02010	SA305C104MAAH
C213	0160-4822	1	CAP-FXD 1000pF +-5% 100 V CER C0G	02010	SA201A102JAAH
C214	0160-4832	1	CAP-FXD 0.01uF +-10% 100 V CER X7R	02010	SA101C103KAAH
C215	0160-4832	1	CAP-FXD 0.01uF +-10% 100 V CER X7R	02010	SA101C103KAAH
C216	0160-5699	1	CAP-FXD 20pF +-5% 100 V CER C0G	06352	DA12C0G2A200J
C217	0160-4832	1	CAP-FXD 0.01uF +-10% 100 V CER X7R	02010	SA101C103KAAH
C218	0160-4557	1	CAP-FXD 0.1uF +-20% 50 V CER X7R	02010	SA305C104MAAH

**Indicates factory-selected value*

CLIP 08563-90186 1

Scans by ArtekMedia => 2009

HP Part Number 08563-60123
10.7 Filter (continued)

Reference Designator	HP Part Number	Qty	Description	Mfr Code	Mfr Part Number
C219	0160-4832	1	CAP-FXD 0.01uF +-10% 100 V CER X7R	02010	SA101C103KAAH
C220	0160-4832	1	CAP-FXD 0.01uF +-10% 100 V CER X7R	02010	SA101C103KAAH
C221	0160-3879	1	CAP-FXD 0.01uF +-20% 100 V CER X7R	06352	FD12X7R2A103M
C222	0160-4832	1	CAP-FXD 0.01uF +-10% 100 V CER X7R	02010	SA101C103KAAH
C223	0160-4832	1	CAP-FXD 0.01uF +-10% 100 V CER X7R	02010	SA101C103KAAH
C224	0160-4832	1	CAP-FXD 0.01uF +-10% 100 V CER X7R	02010	SA101C103KAAH
C225	0160-4832	1	CAP-FXD 0.01uF +-10% 100 V CER X7R	02010	SA101C103KAAH
C226	0160-4399	1	CAP-FXD 0.66pF +-50% 50 V CER C0G	06352	FD12C0G1HR66C
C227	0160-4380	1	CAP-FXD 1pF +-25% 200 V CER C0G	06352	FD11C0G2D010C
C228	0160-3879	1	CAP-FXD 0.01uF +-20% 100 V CER X7R	06352	FD12X7R2A103M
C229	0160-3879	1	CAP-FXD 0.01uF +-20% 100 V CER X7R	06352	FD12X7R2A103M
C300	0160-3879	1	CAP-FXD 0.01uF +-20% 100 V CER X7R	06352	FD12X7R2A103M
C301	0160-4832	1	CAP-FXD 0.01uF +-10% 100 V CER X7R	02010	SA101C103KAAH
C302	0160-4832	1	CAP-FXD 0.01uF +-10% 100 V CER X7R	02010	SA101C103KAAH
C303	0160-4799	1	CAP-FXD 2.2PF 100 V CER C0G	02010	MA101A2R2CAAH
C304	0160-4799	1	CAP-FXD 2.2PF 100 V CER C0G	02010	MA101A2R2CAAH
C305	0160-7932	1	CAP-FXD 160pF +-5% 300 V MICA	02367	CD15FC161J03-XXZ
C306	0160-4832	1	CAP-FXD 0.01uF +-10% 100 V CER X7R	02010	SA101C103KAAH
C307	0160-4832	1	CAP-FXD 0.01uF +-10% 100 V CER X7R	02010	SA101C103KAAH
C308	0160-4832	1	CAP-FXD 0.01uF +-10% 100 V CER X7R	02010	SA101C103KAAH
C309	0160-3879	1	CAP-FXD 0.01uF +-20% 100 V CER X7R	06352	FD12X7R2A103M
C310	0160-4832	1	CAP-FXD 0.01uF +-10% 100 V CER X7R	02010	SA101C103KAAH
C311	0160-4799	1	CAP-FXD 2.2PF 100 V CER C0G	02010	MA101A2R2CAAH
C312	0160-4832	1	CAP-FXD 0.01uF +-10% 100 V CER X7R	02010	SA101C103KAAH
C313	0160-4799	1	CAP-FXD 2.2PF 100 V CER C0G	02010	MA101A2R2CAAH
C314	0160-7932	1	CAP-FXD 160pF +-5% 300 V MICA	02367	CD15FC161J03-XXZ
C315	0160-4832	1	CAP-FXD 0.01uF +-10% 100 V CER X7R	02010	SA101C103KAAH
C316	0160-4832	1	CAP-FXD 0.01uF +-10% 100 V CER X7R	02010	SA101C103KAAH
C317	0160-3879	1	CAP-FXD 0.01uF +-20% 100 V CER X7R	06352	FD12X7R2A103M
C318	0160-4832	1	CAP-FXD 0.01uF +-10% 100 V CER X7R	02010	SA101C103KAAH
C319	0160-4806	1	CAP-FXD 39pF +-5% 100 V CER C0G	02010	SA102A390JAAH
C320	0160-4040	1	CAP-FXD 1000pF +-5% 100 V CER C0G	06352	FD12C0G2A102J
C321	0160-4832	1	CAP-FXD 0.01uF +-10% 100 V CER X7R	02010	SA101C103KAAH
C322	0160-4832	1	CAP-FXD 0.01uF +-10% 100 V CER X7R	02010	SA101C103KAAH
C323	0160-3879	1	CAP-FXD 0.01uF +-20% 100 V CER X7R	06352	FD12X7R2A103M

**HP Part Number 08563-60123
10.7 Filter (continued)**

Reference Designator	HP Part Number	Qty	Description	Mfr Code	Mfr Part Number
C324	0160-4832	1	CAP-FXD 0.01uF +-10% 100 V CER X7R	02010	SA101C103KAAH
C325	0160-3879	1	CAP-FXD 0.01uF +-20% 100 V CER X7R	06352	FD12X7R2A103M
C326	0160-4788	1	CAP-FXD 18pF +-5% 100 V CER C0G	02010	SA101A180JAA
C327	0160-4788	1	CAP-FXD 18pF +-5% 100 V CER C0G	02010	SA101A180JAA
C328	0160-4084	1	CAP-FXD 0.1uF +-20% 50 V CER X7R	02010	SR215C104MAAH
C400	0160-4832	1	CAP-FXD 0.01uF +-10% 100 V CER X7R	02010	SA101C103KAAH
C401	0160-4832	1	CAP-FXD 0.01uF +-10% 100 V CER X7R	02010	SA101C103KAAH
C402	0160-3879	1	CAP-FXD 0.01uF +-20% 100 V CER X7R	06352	FD12X7R2A103M
C403	0160-4832	1	CAP-FXD 0.01uF +-10% 100 V CER X7R	02010	SA101C103KAAH
C404	0160-4832	1	CAP-FXD 0.01uF +-10% 100 V CER X7R	02010	SA101C103KAAH
C405	0160-3879	1	CAP-FXD 0.01uF +-20% 100 V CER X7R	06352	FD12X7R2A103M
C406	0160-3879	1	CAP-FXD 0.01uF +-20% 100 V CER X7R	06352	FD12X7R2A103M
C407	0160-4557	1	CAP-FXD 0.1uF +-20% 50 V CER X7R	02010	SA305C104MAAH
C408	0160-3879	1	CAP-FXD 0.01uF +-20% 100 V CER X7R	06352	FD12X7R2A103M
C409	0160-3879	1	CAP-FXD 0.01uF +-20% 100 V CER X7R	06352	FD12X7R2A103M
C410	0160-3879	1	CAP-FXD 0.01uF +-20% 100 V CER X7R	06352	FD12X7R2A103M
C411	0160-3879	1	CAP-FXD 0.01uF +-20% 100 V CER X7R	06352	FD12X7R2A103M
C412	0160-3879	1	CAP-FXD 0.01uF +-20% 100 V CER X7R	06352	FD12X7R2A103M
C413	0160-3879	1	CAP-FXD 0.01uF +-20% 100 V CER X7R	06352	FD12X7R2A103M
C500	0160-3879	1	CAP-FXD 0.01uF +-20% 100 V CER X7R	06352	FD12X7R2A103M
C501	0160-4557	1	CAP-FXD 0.1uF +-20% 50 V CER X7R	02010	SA305C104MAAH
C502	0160-4557	1	CAP-FXD 0.1uF +-20% 50 V CER X7R	02010	SA305C104MAAH
C503	0160-4822	1	CAP-FXD 1000pF +-5% 100 V CER C0G	02010	SA201A102JAAH
C504	0160-4832	1	CAP-FXD 0.01uF +-10% 100 V CER X7R	02010	SA101C103KAAH
C505	0160-4787	1	CAP-FXD 22pF +-5% 100 V CER C0G	02010	SA101A220JAA
C506	0160-4832	1	CAP-FXD 0.01uF +-10% 100 V CER X7R	02010	SA101C103KAAH
C507	0160-4832	1	CAP-FXD 0.01uF +-10% 100 V CER X7R	02010	SA101C103KAAH
C508	0160-4832	1	CAP-FXD 0.01uF +-10% 100 V CER X7R	02010	SA101C103KAAH
C509	0160-4832	1	CAP-FXD 0.01uF +-10% 100 V CER X7R	02010	SA101C103KAAH
C510	0160-4832	1	CAP-FXD 0.01uF +-10% 100 V CER X7R	02010	SA101C103KAAH
C511	0160-3879	1	CAP-FXD 0.01uF +-20% 100 V CER X7R	06352	FD12X7R2A103M
C512	0160-4557	1	CAP-FXD 0.1uF +-20% 50 V CER X7R	02010	SA305C104MAAH
C513	0160-4822	1	CAP-FXD 1000pF +-5% 100 V CER C0G	02010	SA201A102JAAH
C514	0160-4832	1	CAP-FXD 0.01uF +-10% 100 V CER X7R	02010	SA101C103KAAH
C515	0160-4557	1	CAP-FXD 0.1uF +-20% 50 V CER X7R	02010	SA305C104MAAH

**Indicates factory-selected value*

CLIP 08563-90186 3

Scans by ArtekMedia => 2009

HP Part Number 08563-60123
10.7 Filter (continued)

Reference Designator	HP Part Number	Qty	Description	Mfr Code	Mfr Part Number
C516	0160-5699	1	CAP-FXD 20pF +-5% 100 V CER C0G	06352	DA12C0G2A200J
C517	0160-4832	1	CAP-FXD 0.01uF +-10% 100 V CER X7R	02010	SA101C103KAAH
C518	0160-4832	1	CAP-FXD 0.01uF +-10% 100 V CER X7R	02010	SA101C103KAAH
C519	0160-4832	1	CAP-FXD 0.01uF +-10% 100 V CER X7R	02010	SA101C103KAAH
C520	0160-4832	1	CAP-FXD 0.01uF +-10% 100 V CER X7R	02010	SA101C103KAAH
C521	0160-4832	1	CAP-FXD 0.01uF +-10% 100 V CER X7R	02010	SA101C103KAAH
C522	0160-3879	1	CAP-FXD 0.01uF +-20% 100 V CER X7R	06352	FD12X7R2A103M
C523	0160-4832	1	CAP-FXD 0.01uF +-10% 100 V CER X7R	02010	SA101C103KAAH
C524	0160-4832	1	CAP-FXD 0.01uF +-10% 100 V CER X7R	02010	SA101C103KAAH
C525	0160-4832	1	CAP-FXD 0.01uF +-10% 100 V CER X7R	02010	SA101C103KAAH
C526	0160-4380	1	CAP-FXD 1pF +-25% 200 V CER C0G	06352	FD11C0G2D010C
C527	0160-4380	1	CAP-FXD 1pF +-25% 200 V CER C0G	06352	FD11C0G2D010C
C528	0160-3879	1	CAP-FXD 0.01uF +-20% 100 V CER X7R	06352	FD12X7R2A103M
C529	0160-3879	1	CAP-FXD 0.01uF +-20% 100 V CER X7R	06352	FD12X7R2A103M
C600	0160-3879	1	CAP-FXD 0.01uF +-20% 100 V CER X7R	06352	FD12X7R2A103M
C601	0160-3879	1	CAP-FXD 0.01uF +-20% 100 V CER X7R	06352	FD12X7R2A103M
C602	0160-3879	1	CAP-FXD 0.01uF +-20% 100 V CER X7R	06352	FD12X7R2A103M
C603	0160-3879	1	CAP-FXD 0.01uF +-20% 100 V CER X7R	06352	FD12X7R2A103M
C604	0160-3879	1	CAP-FXD 0.01uF +-20% 100 V CER X7R	06352	FD12X7R2A103M
C605	0160-3879	1	CAP-FXD 0.01uF +-20% 100 V CER X7R	06352	FD12X7R2A103M
C606	0160-3879	1	CAP-FXD 0.01uF +-20% 100 V CER X7R	06352	FD12X7R2A103M
C607	0160-4557	1	CAP-FXD 0.1uF +-20% 50 V CER X7R	02010	SA305C104MAAH
C608	0160-4832	1	CAP-FXD 0.01uF +-10% 100 V CER X7R	02010	SA101C103KAAH
C609	0160-4832	1	CAP-FXD 0.01uF +-10% 100 V CER X7R	02010	SA101C103KAAH
C610	0160-4832	1	CAP-FXD 0.01uF +-10% 100 V CER X7R	02010	SA101C103KAAH
C611	0160-4832	1	CAP-FXD 0.01uF +-10% 100 V CER X7R	02010	SA101C103KAAH
C612	0160-4832	1	CAP-FXD 0.01uF +-10% 100 V CER X7R	02010	SA101C103KAAH
C613	0160-4832	1	CAP-FXD 0.01uF +-10% 100 V CER X7R	02010	SA101C103KAAH
C614	0160-3879	1	CAP-FXD 0.01uF +-20% 100 V CER X7R	06352	FD12X7R2A103M
C615	0160-4832	1	CAP-FXD 0.01uF +-10% 100 V CER X7R	02010	SA101C103KAAH
C616	0160-3879	1	CAP-FXD 0.01uF +-20% 100 V CER X7R	06352	FD12X7R2A103M
C617	0160-5422	1	CAP-FXD 0.047uF +-20% 50 V CER X7R	02010	SA205C473MAAH
C618	0160-5422	1	CAP-FXD 0.047uF +-20% 50 V CER X7R	02010	SA205C473MAAH
C619	0160-5422	1	CAP-FXD 0.047uF +-20% 50 V CER X7R	02010	SA205C473MAAH
C700	0160-4832	1	CAP-FXD 0.01uF +-10% 100 V CER X7R	02010	SA101C103KAAH

HP Part Number 08563-60123
10.7 Filter (continued)

Reference Designator	HP Part Number	Qty	Description	Mfr Code	Mfr Part Number
C701	0160-4798	1	CAP-FXD 2.7pF +-9.26% 100 V CER C0G	02010	MA101A2R7CAA
C702	0160-4799	1	CAP-FXD 2.2PF 100 V CER C0G	02010	MA101A2R2CAAH
C703	0160-7932	1	CAP-FXD 160pF +-5% 300 V MICA	02367	CD15FC161J03-XXZ
C704	0160-4832	1	CAP-FXD 0.01uF +-10% 100 V CER X7R	02010	SA101C103KAAH
C705	0160-3879	1	CAP-FXD 0.01uF +-20% 100 V CER X7R	06352	FD12X7R2A103M
C706	0160-3879	1	CAP-FXD 0.01uF +-20% 100 V CER X7R	06352	FD12X7R2A103M
C707	0160-3879	1	CAP-FXD 0.01uF +-20% 100 V CER X7R	06352	FD12X7R2A103M
C708	0160-4799	1	CAP-FXD 2.2PF 100 V CER C0G	02010	MA101A2R2CAAH
C709	0160-4799	1	CAP-FXD 2.2PF 100 V CER C0G	02010	MA101A2R2CAAH
C710	0160-3879	1	CAP-FXD 0.01uF +-20% 100 V CER X7R	06352	FD12X7R2A103M
C711	0160-7932	1	CAP-FXD 160pF +-5% 300 V MICA	02367	CD15FC161J03-XXZ
C712	0160-3879	1	CAP-FXD 0.01uF +-20% 100 V CER X7R	06352	FD12X7R2A103M
C713	0160-3879	1	CAP-FXD 0.01uF +-20% 100 V CER X7R	06352	FD12X7R2A103M
C714	0160-3879	1	CAP-FXD 0.01uF +-20% 100 V CER X7R	06352	FD12X7R2A103M
C715	0160-3879	1	CAP-FXD 0.01uF +-20% 100 V CER X7R	06352	FD12X7R2A103M
C716	0160-3879	1	CAP-FXD 0.01uF +-20% 100 V CER X7R	06352	FD12X7R2A103M
C717	0160-4789	1	CAP-FXD 15pF +-5% 100 V CER C0G	02010	SA101A150JAA
C718	0160-4789	1	CAP-FXD 15pF +-5% 100 V CER C0G	02010	SA101A150JAA
C719	0160-3879	1	CAP-FXD 0.01uF +-20% 100 V CER X7R	06352	FD12X7R2A103M
C720	0160-3879	1	CAP-FXD 0.01uF +-20% 100 V CER X7R	06352	FD12X7R2A103M
C721	0160-3879	1	CAP-FXD 0.01uF +-20% 100 V CER X7R	06352	FD12X7R2A103M
C800	0180-4135	1	CAP-FXD 33uF +-10% 10 V TA	02010	TARW336K010
C801	0180-2731	1	CAP-FXD 2.2uF +-10% 20 V TA	12340	T350A225K020AS
C802	0160-4557	1	CAP-FXD 0.1uF +-20% 50 V CER X7R	02010	SA305C104MAAH
C803	0160-4557	1	CAP-FXD 0.1uF +-20% 50 V CER X7R	02010	SA305C104MAAH
C804	0160-4557	1	CAP-FXD 0.1uF +-20% 50 V CER X7R	02010	SA305C104MAAH
C805	0160-4557	1	CAP-FXD 0.1uF +-20% 50 V CER X7R	02010	SA305C104MAAH
C806	0160-4557	1	CAP-FXD 0.1uF +-20% 50 V CER X7R	02010	SA305C104MAAH
C807	0160-4557	1	CAP-FXD 0.1uF +-20% 50 V CER X7R	02010	SA305C104MAAH
C808	0160-4557	1	CAP-FXD 0.1uF +-20% 50 V CER X7R	02010	SA305C104MAAH
C809	0160-4557	1	CAP-FXD 0.1uF +-20% 50 V CER X7R	02010	SA305C104MAAH
C810	0160-4557	1	CAP-FXD 0.1uF +-20% 50 V CER X7R	02010	SA305C104MAAH
C811	0160-4557	1	CAP-FXD 0.1uF +-20% 50 V CER X7R	02010	SA305C104MAAH
C812	0160-4557	1	CAP-FXD 0.1uF +-20% 50 V CER X7R	02010	SA305C104MAAH
C813	0160-4557	1	CAP-FXD 0.1uF +-20% 50 V CER X7R	02010	SA305C104MAAH

**Indicates factory-selected value*

CLIP 08563-90186 5

Scans by ArtekMedia => 2009

HP Part Number 08563-60123
10.7 Filter (continued)

Reference Designator	HP Part Number	Qty	Description	Mfr Code	Mfr Part Number
C814	0160-4557	1	CAP-FXD 0.1uF +-20% 50 V CER X7R	02010	SA305C104MAAH
C815	0160-4557	1	CAP-FXD 0.1uF +-20% 50 V CER X7R	02010	SA305C104MAAH
C816	0160-4557	1	CAP-FXD 0.1uF +-20% 50 V CER X7R	02010	SA305C104MAAH
C817	0160-4557	1	CAP-FXD 0.1uF +-20% 50 V CER X7R	02010	SA305C104MAAH
C818	0160-4557	1	CAP-FXD 0.1uF +-20% 50 V CER X7R	02010	SA305C104MAAH
C819	0160-4557	1	CAP-FXD 0.1uF +-20% 50 V CER X7R	02010	SA305C104MAAH
C820	0160-4557	1	CAP-FXD 0.1uF +-20% 50 V CER X7R	02010	SA305C104MAAH
C821	0160-4557	1	CAP-FXD 0.1uF +-20% 50 V CER X7R	02010	SA305C104MAAH
C822	0160-4832	1	CAP-FXD 0.01uF +-10% 100 V CER X7R	02010	SA101C103KAAH
CR100	1901-1117	1	DIODE-SWITCHING 30V	00746	1SS135
CR101	1901-1117	1	DIODE-SWITCHING 30V	00746	1SS135
CR102	1901-1565	1	DIODE-PIN	01542	5081-3081SEL
CR103	1901-1565	1	DIODE-PIN	01542	5081-3081SEL
CR104	1901-1098	1	DIODE-SWITCHING 1N4150 50V 200MA 4NS	00746	1901-1098
CR105	1901-1117	1	DIODE-SWITCHING 30V	00746	1SS135
CR106	1901-1565	1	DIODE-PIN	01542	5081-3081SEL
CR200	1901-0376	1	DIODE-GEN PRP 35V 50MA DO-35	11946	S303
CR201	BB0122-0245KI	1	D VVC 6.8PF2.7CR	28480	BB0122-0245KI
CR202	0122-0263	1	DIODE-VVC 1N5148 47PF 10% C	28480	0122-0263
CR203	0122-0263	1	DIODE-VVC 1N5148 47PF 10% C	28480	0122-0263
CR204	1901-0376	1	DIODE-GEN PRP 35V 50MA DO-35	11946	S303
CR205	1901-1070	1	DIODE-PIN 110V	01542	1901-1070
CR206	1901-1070	1	DIODE-PIN 110V	01542	1901-1070
CR207	1901-0376	1	DIODE-GEN PRP 35V 50MA DO-35	11946	S303
CR208	BB0122-0245KI	1	D VVC 6.8PF2.7CR	28480	BB0122-0245KI
CR209	0122-0263	1	DIODE-VVC 1N5148 47PF 10% C	28480	0122-0263
CR210	0122-0263	1	DIODE-VVC 1N5148 47PF 10% C	28480	0122-0263
CR211	1901-0376	1	DIODE-GEN PRP 35V 50MA DO-35	11946	S303
CR212	1901-1070	1	DIODE-PIN 110V	01542	1901-1070
CR213	1901-1070	1	DIODE-PIN 110V	01542	1901-1070
CR300	1900-0322	1	DIODE-PIN	28480	1900-0322
CR301	1900-0322	1	DIODE-PIN	28480	1900-0322
CR302	1900-0322	1	DIODE-PIN	28480	1900-0322
CR303	1900-0322	1	DIODE-PIN	28480	1900-0322
CR304	0122-0263	1	DIODE-VVC 1N5148 47PF 10% C	28480	0122-0263

HP Part Number 08563-60123
10.7 Filter (continued)

Reference Designator	HP Part Number	Qty	Description	Mfr Code	Mfr Part Number
CR305	0122-0263	1	DIODE-VVC 1N5148 47PF 10% C	28480	0122-0263
CR306	1900-0322	1	DIODE-PIN	28480	1900-0322
CR307	1900-0322	1	DIODE-PIN	28480	1900-0322
CR308	1900-0322	1	DIODE-PIN	28480	1900-0322
CR309	1900-0322	1	DIODE-PIN	28480	1900-0322
CR310	0122-0263	1	DIODE-VVC 1N5148 47PF 10% C	28480	0122-0263
CR311	0122-0263	1	DIODE-VVC 1N5148 47PF 10% C	28480	0122-0263
CR312	1901-1117	1	DIODE-SWITCHING 30V	00746	1SS135
CR313	1901-0376	1	DIODE-GEN PRP 35V 50MA DO-35	11946	S303
CR314	1901-0376	1	DIODE-GEN PRP 35V 50MA DO-35	11946	S303
CR315	1901-1098	1	DIODE-SWITCHING 1N4150 50V 200MA 4NS	00746	1901-1098
CR316	1901-1098	1	DIODE-SWITCHING 1N4150 50V 200MA 4NS	00746	1901-1098
CR317	1901-1098	1	DIODE-SWITCHING 1N4150 50V 200MA 4NS	00746	1901-1098
CR400	1901-1070	1	DIODE-PIN 110V	01542	1901-1070
CR401	1901-1565	1	DIODE-PIN	01542	5081-3081SEL
CR402	1901-1070	1	DIODE-PIN 110V	01542	1901-1070
CR403	1901-1098	1	DIODE-SWITCHING 1N4150 50V 200MA 4NS	00746	1901-1098
CR404	1901-1098	1	DIODE-SWITCHING 1N4150 50V 200MA 4NS	00746	1901-1098
CR405	1901-1098	1	DIODE-SWITCHING 1N4150 50V 200MA 4NS	00746	1901-1098
CR406	1901-1279	1	DIODE-SCHOTTKY 60V 1NS DO-34	02910	BAT83
CR407	1901-1279	1	DIODE-SCHOTTKY 60V 1NS DO-34	02910	BAT83
CR408	1901-1279	1	DIODE-SCHOTTKY 60V 1NS DO-34	02910	BAT83
CR409	1901-1098	1	DIODE-SWITCHING 1N4150 50V 200MA 4NS	00746	1901-1098
CR410	1901-1098	1	DIODE-SWITCHING 1N4150 50V 200MA 4NS	00746	1901-1098
CR411	1901-1098	1	DIODE-SWITCHING 1N4150 50V 200MA 4NS	00746	1901-1098
CR500	1901-0376	1	DIODE-GEN PRP 35V 50MA DO-35	11946	S303
CR501	BB0122-0245KI	1	D VVC 6.8PF2.7CR	28480	BB0122-0245KI
CR502	0122-0263	1	DIODE-VVC 1N5148 47PF 10% C	28480	0122-0263
CR503	0122-0263	1	DIODE-VVC 1N5148 47PF 10% C	28480	0122-0263
CR504	1901-0376	1	DIODE-GEN PRP 35V 50MA DO-35	11946	S303
CR505	1901-1070	1	DIODE-PIN 110V	01542	1901-1070
CR506	1901-1070	1	DIODE-PIN 110V	01542	1901-1070
CR507	1901-0376	1	DIODE-GEN PRP 35V 50MA DO-35	11946	S303
CR508	BB0122-0245KI	1	D VVC 6.8PF2.7CR	28480	BB0122-0245KI
CR509	0122-0263	1	DIODE-VVC 1N5148 47PF 10% C	28480	0122-0263

**Indicates factory-selected value*

CLIP 08563-90186 7

Scans by ArtekMedia => 2009

HP Part Number 08563-60123
10.7 Filter (continued)

Reference Designator	HP Part Number	Qty	Description	Mfr Code	Mfr Part Number
CR510	0122-0263	1	DIODE-VVC 1N5148 47PF 10% C	28480	0122-0263
CR511	1901-0376	1	DIODE-GEN PRP 35V 50MA DO-35	11946	S303
CR512	1901-1070	1	DIODE-PIN 110V	01542	1901-1070
CR513	1901-1070	1	DIODE-PIN 110V	01542	1901-1070
CR600	1901-0376	1	DIODE-GEN PRP 35V 50MA DO-35	11946	S303
CR602	1901-1117	1	DIODE-SWITCHING 30V	00746	1SS135
CR604	1901-0376	1	DIODE-GEN PRP 35V 50MA DO-35	11946	S303
CR605	1901-1117	1	DIODE-SWITCHING 30V	00746	1SS135
CR606	1901-1117	1	DIODE-SWITCHING 30V	00746	1SS135
CR700	1900-0322	1	DIODE-PIN	28480	1900-0322
CR701	1900-0322	1	DIODE-PIN	28480	1900-0322
CR702	1900-0322	1	DIODE-PIN	28480	1900-0322
CR703	1900-0322	1	DIODE-PIN	28480	1900-0322
CR704	0122-0300	1	DIODE-VVC 100PF 5% C 2/C20-MIN=2	28480	0122-0300
CR705	0122-0300	1	DIODE-VVC 100PF 5% C 2/C20-MIN=2	28480	0122-0300
CR706	0122-0300	1	DIODE-VVC 100PF 5% C 2/C20-MIN=2	28480	0122-0300
CR707	0122-0300	1	DIODE-VVC 100PF 5% C 2/C20-MIN=2	28480	0122-0300
CR708	1900-0322	1	DIODE-PIN	28480	1900-0322
CR709	1900-0322	1	DIODE-PIN	28480	1900-0322
CR710	1900-0322	1	DIODE-PIN	28480	1900-0322
CR711	1900-0322	1	DIODE-PIN	28480	1900-0322
CR712	0122-0300	1	DIODE-VVC 100PF 5% C 2/C20-MIN=2	28480	0122-0300
CR713	0122-0300	1	DIODE-VVC 100PF 5% C 2/C20-MIN=2	28480	0122-0300
CR714	0122-0300	1	DIODE-VVC 100PF 5% C 2/C20-MIN=2	28480	0122-0300
CR715	0122-0300	1	DIODE-VVC 100PF 5% C 2/C20-MIN=2	28480	0122-0300
CR716	1901-1117	1	DIODE-SWITCHING 30V	00746	1SS135
CR717	1901-0376	1	DIODE-GEN PRP 35V 50MA DO-35	11946	S303
CR718	1901-0376	1	DIODE-GEN PRP 35V 50MA DO-35	11946	S303
CR800	1901-1098	1	DIODE-SWITCHING 1N4150 50V 200MA 4NS	00746	1901-1098
CR801	1901-1098	1	DIODE-SWITCHING 1N4150 50V 200MA 4NS	00746	1901-1098
E101	9170-1366	1	CORE-SHIELDING BEAD	03827	2743001112
E102	9170-0847	1	CORE-SHIELDING BEAD	06337	5659065-3B-C
E103	9170-0847	1	CORE-SHIELDING BEAD	06337	5659065-3B-C
E300	9170-0847	1	CORE-SHIELDING BEAD	06337	5659065-3B-C
E600	9170-0847	1	CORE-SHIELDING BEAD	06337	5659065-3B-C

**HP Part Number 08563-60123
10.7 Filter (continued)**

Reference Designator	HP Part Number	Qty	Description	Mfr Code	Mfr Part Number
E601	9170-0847	1	CORE-SHIELDING BEAD	06337	5659065-3B-C
E701	9170-0847	1	CORE-SHIELDING BEAD	06337	5659065-3B-C
J1	1252-1064	1	CONN-POST TYPE .100-PIN-SPCG-MTG-END	01380	1-746878-0
J2	1252-1064	1	CONN-POST TYPE .100-PIN-SPCG-MTG-END	01380	1-746878-0
J3	1250-0543	1	CONNECTOR-RF SMB MALE PC-W-STDFS 50-OHM	07247	59S213-40TD3
J4	1250-0543	1	CONNECTOR-RF SMB MALE PC-W-STDFS 50-OHM	07247	59S213-40TD3
J5	1250-0543	1	CONNECTOR-RF SMB MALE PC-W-STDFS 50-OHM	07247	59S213-40TD3
J6	1252-1200	1	CONN-POST TYPE .100-PIN-SPCG-MTG-END	13369	68449-079
J7	1252-1200	1	CONN-POST TYPE .100-PIN-SPCG-MTG-END	13369	68449-079
J8	1252-1200	1	CONN-POST TYPE .100-PIN-SPCG-MTG-END	13369	68449-079
J9	1252-1200	1	CONN-POST TYPE .100-PIN-SPCG-MTG-END	13369	68449-079
L1	9140-0738	1	INDUCTOR 100uH .6W-INX.7LG-IN	01869	52405
L2	9140-0738	1	INDUCTOR 100uH .6W-INX.7LG-IN	01869	52405
L100	9100-1625	1	INDUCTOR RF-CH-MLD 33uH +-5%	05826	1537-52
L101	9100-3912	1	INDUCTOR RF-CH-MLD 15uH +-5%	03273	15M152J
L102	9140-0144	1	INDUCTOR RF-CH-MLD 4.7uH +-10%	05524	IM-2 4.7UH 10%
L104	9100-2249	1	INDUCTOR RF-CH-MLD 150nH +-10%	03273	10M150K
L204	9100-3912	1	INDUCTOR RF-CH-MLD 15uH +-5%	03273	15M152J
L300	08562-80072	1	L:1.0 UH VAR	28480	08562-80072
L301	08562-80072	1	L:1.0 UH VAR	28480	08562-80072
L400	9140-0398	1	INDUCTOR RF-CH-MLD 12uH +-5%	05524	IM-4 12UH 5%
L401	9100-0539	1	INDUCTOR RF-CH-MLD 10uH +-5%	03273	15M102J
L600	9100-3912	1	INDUCTOR RF-CH-MLD 15uH +-5%	03273	15M152J
L601	9100-1625	1	INDUCTOR RF-CH-MLD 33uH +-5%	05826	1537-52
L602	9100-1625	1	INDUCTOR RF-CH-MLD 33uH +-5%	05826	1537-52
L603	9140-0454	1	INDUCTOR RF-CH-MLD 18uH +-5%	03273	15M-182J
L604	9100-1625	1	INDUCTOR RF-CH-MLD 33uH +-5%	05826	1537-52
L700	08562-80072	1	L:1.0 UH VAR	28480	08562-80072
L701	9100-1625	1	INDUCTOR RF-CH-MLD 33uH +-5%	05826	1537-52
L702	08562-80072	1	L:1.0 UH VAR	28480	08562-80072
L703	9100-0539	1	INDUCTOR RF-CH-MLD 10uH +-5%	03273	15M102J
L800	9140-0210	1	INDUCTOR RF-CH-MLD 100uH +-5%	05524	IM-4 100UH 5%
MP3	5021-6729	1	SHIELD-TOP IF 1	28480	5021-6729
MP4	5021-6730	1	SHIELD-BOT IF 1	28480	5021-6730
MP5	5021-6731	1	SHIELD-TOP IF 2	28480	5021-6731

**Indicates factory-selected value*

CLIP 08563-90186 9

Scans by ArtekMedia => 2009

HP Part Number 08563-60123
10.7 Filter (continued)

Reference Designator	HP Part Number	Qty	Description	Mfr Code	Mfr Part Number
MP6	5021-6732	1	SHIELD-BOT IF 2	28480	5021-6732
MP8	1400-0866	1	CLAMP-CABLE .187-DIA .25-WD NYL	07158	C61332AA
MP9	1205-0485	1	HEAT SINK SGL TO-5/TO-39-CS	07179	3201B
MP13	0340-1132	1	SPACER-SOLUBLE WATER SOLUBLE; 0.062 IN	03724	TO-8-12
MP14	0340-1132	1	SPACER-SOLUBLE WATER SOLUBLE; 0.062 IN	03724	TO-8-12
MP15	0340-1132	1	SPACER-SOLUBLE WATER SOLUBLE; 0.062 IN	03724	TO-8-12
Q100	1854-1426	1	TRANSISTOR NPN 2N5109 SI TO-39 PD=1000MW	11699	2N5109
Q101	1854-1426	1	TRANSISTOR NPN 2N5109 SI TO-39 PD=1000MW	11699	2N5109
Q102	1854-1426	1	TRANSISTOR NPN 2N5109 SI TO-39 PD=1000MW	11699	2N5109
Q200	1854-1426	1	TRANSISTOR NPN 2N5109 SI TO-39 PD=1000MW	11699	2N5109
Q201	1854-1426	1	TRANSISTOR NPN 2N5109 SI TO-39 PD=1000MW	11699	2N5109
Q202	1855-1002	1	TRANSISTOR J-FET 2N4416A N-CHAN D-MODE	02883	2N4416A
Q203	1855-1002	1	TRANSISTOR J-FET 2N4416A N-CHAN D-MODE	02883	2N4416A
Q300	1854-1426	1	TRANSISTOR NPN 2N5109 SI TO-39 PD=1000MW	11699	2N5109
Q301	1855-1002	1	TRANSISTOR J-FET 2N4416A N-CHAN D-MODE	02883	2N4416A
Q302	1854-1426	1	TRANSISTOR NPN 2N5109 SI TO-39 PD=1000MW	11699	2N5109
Q303	1855-1002	1	TRANSISTOR J-FET 2N4416A N-CHAN D-MODE	02883	2N4416A
Q304	1854-1426	1	TRANSISTOR NPN 2N5109 SI TO-39 PD=1000MW	11699	2N5109
Q305	1853-0007	1	TRANSISTOR PNP 2N3251 SI TO-18 PD=360MW	11699	2N3251
Q306	1854-1426	1	TRANSISTOR NPN 2N5109 SI TO-39 PD=1000MW	11699	2N5109
Q400	1854-1426	1	TRANSISTOR NPN 2N5109 SI TO-39 PD=1000MW	11699	2N5109
Q401	1854-1426	1	TRANSISTOR NPN 2N5109 SI TO-39 PD=1000MW	11699	2N5109
Q402	1854-1426	1	TRANSISTOR NPN 2N5109 SI TO-39 PD=1000MW	11699	2N5109
Q403	1854-1426	1	TRANSISTOR NPN 2N5109 SI TO-39 PD=1000MW	11699	2N5109
Q404	1854-1426	1	TRANSISTOR NPN 2N5109 SI TO-39 PD=1000MW	11699	2N5109
Q500	1854-1426	1	TRANSISTOR NPN 2N5109 SI TO-39 PD=1000MW	11699	2N5109
Q501	1855-1002	1	TRANSISTOR J-FET 2N4416A N-CHAN D-MODE	02883	2N4416A
Q502	1854-1426	1	TRANSISTOR NPN 2N5109 SI TO-39 PD=1000MW	11699	2N5109
Q503	1855-1002	1	TRANSISTOR J-FET 2N4416A N-CHAN D-MODE	02883	2N4416A
Q504	1854-1426	1	TRANSISTOR NPN 2N5109 SI TO-39 PD=1000MW	11699	2N5109
Q600	1854-1426	1	TRANSISTOR NPN 2N5109 SI TO-39 PD=1000MW	11699	2N5109
Q601	1854-1426	1	TRANSISTOR NPN 2N5109 SI TO-39 PD=1000MW	11699	2N5109
Q602	1854-1426	1	TRANSISTOR NPN 2N5109 SI TO-39 PD=1000MW	11699	2N5109
Q603	1854-1426	1	TRANSISTOR NPN 2N5109 SI TO-39 PD=1000MW	11699	2N5109
Q700	1855-1002	1	TRANSISTOR J-FET 2N4416A N-CHAN D-MODE	02883	2N4416A

HP Part Number 08563-60123
10.7 Filter (continued)

Reference Designator	HP Part Number	Qty	Description	Mfr Code	Mfr Part Number
Q701	1854-1426	1	TRANSISTOR NPN 2N5109 SI TO-39 PD=1000MW	11699	2N5109
Q702	1855-1002	1	TRANSISTOR J-FET 2N4416A N-CHAN D-MODE	02883	2N4416A
Q703	1854-1426	1	TRANSISTOR NPN 2N5109 SI TO-39 PD=1000MW	11699	2N5109
Q704	1853-0314	1	TRANSISTOR PNP 2N2905A SI TO-39 PD=400MW	11699	2N2905A
Q800	BB1854-0477KI	1		28480	BB1854-0477KI
Q801	1854-0637	1	TRANSISTOR NPN 2N2219A SI TO-5 PD=800MW	11699	2N2219A
Q802	1854-0637	1	TRANSISTOR NPN 2N2219A SI TO-5 PD=800MW	11699	2N2219A
R100	0698-3442	1	RESISTOR 237 +1% .125W TF TC=0+-100	05524	CMF-552370FT-1
R101	0757-0276	1	RESISTOR 61.9 +1% .125W TF TC=0+-100	05524	CMF-5561R9FT-1
R102	0757-0276	1	RESISTOR 61.9 +1% .125W TF TC=0+-100	05524	CMF-5561R9FT-1
R103	0757-0280	1	RESISTOR 1K +1% .125W TF TC=0+-100	05524	CMF-551001FT-1
R105	0757-0280	1	RESISTOR 1K +1% .125W TF TC=0+-100	05524	CMF-551001FT-1
R106	0698-3150	1	RESISTOR 2.37K +1% .125W TF TC=0+-100	06424	NK4H.125W1%+/-100PPM2371
R107	0698-3153	1	RESISTOR 3.83K +1% .125W TF TC=0+-100	05524	CMF-553831FT-1
R109	0757-0401	1	RESISTOR 100 +1% .125W TF TC=0+-100	05524	CMF-551000FT-1
R110	0757-0401	1	RESISTOR 100 +1% .125W TF TC=0+-100	05524	CMF-551000FT-1
R112	0698-7188	1	RESISTOR 10 +-1% .05W TF TC=0+-100	06424	NK3H.05W1%+/-100PPM10R0
R113	0757-0280	1	RESISTOR 1K +1% .125W TF TC=0+-100	05524	CMF-551001FT-1
R114	0757-0401	1	RESISTOR 100 +1% .125W TF TC=0+-100	05524	CMF-551000FT-1
R117	0757-0346	1	RESISTOR 10 +-1% .125W TF TC=0+-100	06424	NK4H.125W1%+/-100PPM10R0
R119	0757-0346	1	RESISTOR 10 +-1% .125W TF TC=0+-100	06424	NK4H.125W1%+/-100PPM10R0
R120	0757-0419	1	RESISTOR 681 +1% .25W TF TC=0+-100	06424	NK4H.25W1%+/-100PPM681
R121	0757-0346	1	RESISTOR 10 +-1% .125W TF TC=0+-100	06424	NK4H.125W1%+/-100PPM10R0
R122	0757-0401	1	RESISTOR 100 +1% .125W TF TC=0+-100	05524	CMF-551000FT-1
R123	0698-7221	1	RESISTOR 237 +1% .05W TF TC=0+-100	05524	CMF-502370FT-1
R124	0698-7245	1	RESISTOR 2.37K +1% .05W TF TC=0+-100	06424	NK3H.05W1%+/-100PPM2371
R125	0698-7193	1	RESISTOR 16.2 +1% .05W TF TC=0+-100	05524	CMF-5016R2FT-1
R126	0698-7212	1	RESISTOR 100 +1% .05W TF TC=0+-100	06424	NK3H.05W1%+/-100PPM100R0
R200	0811-3587	1	RESISTOR 0 CWM	03123	104
R201	0757-0442	1	RESISTOR 10K +1% .125W TF TC=0+-100	05524	CMF-551002FT-1
R202	0811-3587	1	RESISTOR 0 CWM	03123	104
R203	0698-8827	1	RESISTOR 1M +1% .125W TF TC=0+-100	05524	CMF-551004FT-1
R205	0757-0418	1	RESISTOR 619 +1% .125W TF TC=0+-100	05524	CMF-556190FT-1
R206	0698-8823	1	RESISTOR 8.25 +1% .125W TF TC=0+-100	05524	CMF-558R25FT-1
R208	0757-0317	1	RESISTOR 1.33K +1% .125W TF TC=0+-100	05524	CMF-551331FT-1

**Indicates factory-selected value*

CLIP 08563-90186 11

Scans by ArtekMedia => 2009

HP Part Number 08563-60123
10.7 Filter (continued)

Reference Designator	HP Part Number	Qty	Description	Mfr Code	Mfr Part Number
R209	0757-0279	1	RESISTOR 3.16K +-1% .125W TF TC=0+-100	05524	CMF-553161FT-1
R210	0757-0346	1	RESISTOR 10 +-1% .125W TF TC=0+-100	06424	NK4H.125W1%+/-100PPM10R0
R211	0698-0084	1	RESISTOR 2.15K +-1% .125W TF TC=0+-100	06424	NK4H.125W1%+/-100PPM2151
R212	0698-0084	1	RESISTOR 2.15K +-1% .125W TF TC=0+-100	06424	NK4H.125W1%+/-100PPM2151
R213	0757-0438	1	RESISTOR 5.11K +-1% .125W TF TC=0+-100	06424	NK4H.125W1%+/-100PPM5111
R214	0757-0401	1	RESISTOR 100 +-1% .125W TF TC=0+-100	05524	CMF-551000FT-1
R215	0757-0405	1	RESISTOR 162 +-1% .125W TF TC=0+-100	06424	NK4H.125W1%+/-100PPM162R0
R216	0757-0346	1	RESISTOR 10 +-1% .125W TF TC=0+-100	06424	NK4H.125W1%+/-100PPM10R0
R217	0757-0442	1	RESISTOR 10K +-1% .125W TF TC=0+-100	05524	CMF-551002FT-1
R218	0757-0280	1	RESISTOR 1K +-1% .125W TF TC=0+-100	05524	CMF-551001FT-1
R219	0757-0442	1	RESISTOR 10K +-1% .125W TF TC=0+-100	05524	CMF-551002FT-1
R220	0698-8827	1	RESISTOR 1M +-1% .125W TF TC=0+-100	05524	CMF-551004FT-1
R222	0698-8823	1	RESISTOR 8.25 +-1% .125W TF TC=0+-100	05524	CMF-558R25FT-1
R224	0757-0278	1	RESISTOR 1.78K +-1% .125W TF TC=0+-100	05524	CMF-551781FT-1
R225	0757-0317	1	RESISTOR 1.33K +-1% .125W TF TC=0+-100	05524	CMF-551331FT-1
R226	0698-0084	1	RESISTOR 2.15K +-1% .125W TF TC=0+-100	06424	NK4H.125W1%+/-100PPM2151
R227	0757-0279	1	RESISTOR 3.16K +-1% .125W TF TC=0+-100	05524	CMF-553161FT-1
R228	0757-0346	1	RESISTOR 10 +-1% .125W TF TC=0+-100	06424	NK4H.125W1%+/-100PPM10R0
R229	0757-0276	1	RESISTOR 61.9 +-1% .125W TF TC=0+-100	05524	CMF-5561R9FT-1
R230	0757-0276	1	RESISTOR 61.9 +-1% .125W TF TC=0+-100	05524	CMF-5561R9FT-1
R231	0698-3154	1	RESISTOR 4.22K +-1% .125W TF TC=0+-100	05524	CMF-554221FT-1
R232	0698-8823	1	RESISTOR 8.25 +-1% .125W TF TC=0+-100	05524	CMF-558R25FT-1
R234	0757-0274	1	RESISTOR 1.21K +-1% .125W TF TC=0+-100	06424	NK4H.125W1%+/-100PPM1211
R235	0757-0274	1	RESISTOR 1.21K +-1% .125W TF TC=0+-100	06424	NK4H.125W1%+/-100PPM1211
R236	0698-7212	1	RESISTOR 100 +-1% .05W TF TC=0+-100	06424	NK3H.05W1%+/-100PPM100R0
R237	0698-7212	1	RESISTOR 100 +-1% .05W TF TC=0+-100	06424	NK3H.05W1%+/-100PPM100R0
R300	0757-0416	1	RESISTOR 511 +-1% .125W TF TC=0+-100	06424	NK4H.125W1%+/-100PPM511R0
R301	0757-0346	1	RESISTOR 10 +-1% .125W TF TC=0+-100	06424	NK4H.125W1%+/-100PPM10R0
R302	0757-0274	1	RESISTOR 1.21K +-1% .125W TF TC=0+-100	06424	NK4H.125W1%+/-100PPM1211
R303	0757-0401	1	RESISTOR 100 +-1% .125W TF TC=0+-100	05524	CMF-551000FT-1
R304	0757-0442	1	RESISTOR 10K +-1% .125W TF TC=0+-100	05524	CMF-551002FT-1
R305	0698-8821	1	RESISTOR 5.62 +-1% .125W TF TC=0+-100	05524	CMF-555R62FT-1
R306	0757-0278	1	RESISTOR 1.78K +-1% .125W TF TC=0+-100	05524	CMF-551781FT-1
R308	0698-8827	1	RESISTOR 1M +-1% .125W TF TC=0+-100	05524	CMF-551004FT-1
R310	0757-0442	1	RESISTOR 10K +-1% .125W TF TC=0+-100	05524	CMF-551002FT-1

HP Part Number 08563-60123
10.7 Filter (continued)

Reference Designator	HP Part Number	Qty	Description	Mfr Code	Mfr Part Number
R311	0757-0317	1	RESISTOR 1.33K +-1% .125W TF TC=0+-100	05524	CMF-551331FT-1
R312	0757-0279	1	RESISTOR 3.16K +-1% .125W TF TC=0+-100	05524	CMF-553161FT-1
R313	0757-0346	1	RESISTOR 10 +-1% .125W TF TC=0+-100	06424	NK4H.125W1%+/-100PPM10R0
R314	0698-0082	1	RESISTOR 464 +-1% .125W TF TC=0+-100	06424	NK4H.125W1%+/-100PPM464R0
R315	0698-0082	1	RESISTOR 464 +-1% .125W TF TC=0+-100	06424	NK4H.125W1%+/-100PPM464R0
R316	0757-0401	1	RESISTOR 100 +-1% .125W TF TC=0+-100	05524	CMF-551000FT-1
R317	0698-8821	1	RESISTOR 5.62 +-1% .125W TF TC=0+-100	05524	CMF-555R62FT-1
R318	0757-0278	1	RESISTOR 1.78K +-1% .125W TF TC=0+-100	05524	CMF-551781FT-1
R320	0757-0442	1	RESISTOR 10K +-1% .125W TF TC=0+-100	05524	CMF-551002FT-1
R321	0698-8827	1	RESISTOR 1M +-1% .125W TF TC=0+-100	05524	CMF-551004FT-1
R323	0757-0317	1	RESISTOR 1.33K +-1% .125W TF TC=0+-100	05524	CMF-551331FT-1
R324	0757-0279	1	RESISTOR 3.16K +-1% .125W TF TC=0+-100	05524	CMF-553161FT-1
R325	0698-3445	1	RESISTOR 348 +-1% .125W TF TC=0+-100	06424	NK4H.125W1%+/-100PPM348R0
R326	0698-3444	1	RESISTOR 316 +-1% .125W TF TC=0+-100	06424	NK4H.125W1%+/-100PPM316R0
R327	0698-3444	1	RESISTOR 316 +-1% .125W TF TC=0+-100	06424	NK4H.125W1%+/-100PPM316R0
R328	0757-0346	1	RESISTOR 10 +-1% .125W TF TC=0+-100	06424	NK4H.125W1%+/-100PPM10R0
R329	0698-3445	1	RESISTOR 348 +-1% .125W TF TC=0+-100	06424	NK4H.125W1%+/-100PPM348R0
R330	0698-8823	1	RESISTOR 8.25 +-1% .125W TF TC=0+-100	05524	CMF-558R25FT-1
R331	0698-6355	1	RESISTOR 400 +-0.1% .125W TF TC=0+-25	05524	CMF-554000BT-9
R332	0698-6377	1	RESISTOR 200 +-0.1% .125W TF TC=0+-25	05524	CMF-552000BT-9
R334	0757-0346	1	RESISTOR 10 +-1% .125W TF TC=0+-100	06424	NK4H.125W1%+/-100PPM10R0
R335	0757-0442	1	RESISTOR 10K +-1% .125W TF TC=0+-100	05524	CMF-551002FT-1
R336	0698-6323	1	RESISTOR 100 +-0.1% .125W TF TC=0+-25	05524	CMF-551000BT-9
R337	0757-0289	1	RESISTOR 13.3K +-1% .125W TF TC=0+-100	06424	NK4H.125W1%+/-100PPM1332
R338	0757-0441	1	RESISTOR 8.25K +-1% .125W TF TC=0+-100	06424	NK4H.125W1%+/-100PPM8251
R339	0757-0401	1	RESISTOR 100 +-1% .125W TF TC=0+-100	05524	CMF-551000FT-1
R340	0757-0419	1	RESISTOR 681 +-1% .25W TF TC=0+-100	06424	NK4H.25W1%+/-100PPM681
R341	0699-0068	1	RESISTOR 1.47M +-1% .125W TF TC=0+-100	05524	CMF-551474FT-1
R342	0699-0068	1	RESISTOR 1.47M +-1% .125W TF TC=0+-100	05524	CMF-551474FT-1
R343	2100-4144	1	RESISTOR-TRMR 200 10% TKF TOP-ADJ 17-TRN	03744	3299Y-DM3-201
R400	0757-0346	1	RESISTOR 10 +-1% .125W TF TC=0+-100	06424	NK4H.125W1%+/-100PPM10R0
R401	0757-0442	1	RESISTOR 10K +-1% .125W TF TC=0+-100	05524	CMF-551002FT-1
R402	0757-0346	1	RESISTOR 10 +-1% .125W TF TC=0+-100	06424	NK4H.125W1%+/-100PPM10R0
R403	0698-0084	1	RESISTOR 2.15K +-1% .125W TF TC=0+-100	06424	NK4H.125W1%+/-100PPM2151
R404	0757-0424	1	RESISTOR 1.1K +-1% .125W TF TC=0+-100	06424	NK4H.125W1%+/-100PPM1101

**Indicates factory-selected value*

CLIP 08563-90186 13

Scans by ArtekMedia => 2009

HP Part Number 08563-60123
10.7 Filter (continued)

Reference Designator	HP Part Number	Qty	Description	Mfr Code	Mfr Part Number
R405	0757-0276	1	RESISTOR 61.9 +-1% .125W TF TC=0+-100	05524	CMF-5561R9FT-1
R406	0698-3441	1	RESISTOR 215 +-1% .125W TF TC=0+-100	06424	NK4H.125W1%+/-100PPM215R0
R407	0757-0317	1	RESISTOR 1.33K +-1% .125W TF TC=0+-100	05524	CMF-551331FT-1
R409	0698-3151	1	RESISTOR 2.87K +-1% .125W TF TC=0+-100	05524	CMF-552871FT-1
R410	0698-3151	1	RESISTOR 2.87K +-1% .125W TF TC=0+-100	05524	CMF-552871FT-1
R411	0757-0401	1	RESISTOR 100 +-1% .125W TF TC=0+-100	05524	CMF-551000FT-1
R412	0698-3443	1	RESISTOR 287 +-1% .125W TF TC=0+-100	06424	NK4H.125W1%+/-100PPM287R0
R413	0757-0442	1	RESISTOR 10K +-1% .125W TF TC=0+-100	05524	CMF-551002FT-1
R414	0757-0316	1	RESISTOR 42.2 +-1% .125W TF TC=0+-100	06424	NK4H.125W1%+/-100PPM42R2
R415	0757-0403	1	RESISTOR 121 +-1% .125W TF TC=0+-100	05524	CMF-551210FT-1
R416	0757-0346	1	RESISTOR 10 +-1% .125W TF TC=0+-100	06424	NK4H.125W1%+/-100PPM10R0
R417	0698-6348	1	RESISTOR 3K +-0.1% .125W TF TC=0+-25	05524	CMF-553001BT-9
R419	0757-0438	1	RESISTOR 5.11K +-1% .125W TF TC=0+-100	06424	NK4H.125W1%+/-100PPM5111
R420	0757-0438	1	RESISTOR 5.11K +-1% .125W TF TC=0+-100	06424	NK4H.125W1%+/-100PPM5111
R421	0757-0442	1	RESISTOR 10K +-1% .125W TF TC=0+-100	05524	CMF-551002FT-1
R422	0757-0401	1	RESISTOR 100 +-1% .125W TF TC=0+-100	05524	CMF-551000FT-1
R423	0698-3444	1	RESISTOR 316 +-1% .125W TF TC=0+-100	06424	NK4H.125W1%+/-100PPM316R0
R424	0698-3445	1	RESISTOR 348 +-1% .125W TF TC=0+-100	06424	NK4H.125W1%+/-100PPM348R0
R425	0757-0401	1	RESISTOR 100 +-1% .125W TF TC=0+-100	05524	CMF-551000FT-1
R426	0757-0346	1	RESISTOR 10 +-1% .125W TF TC=0+-100	06424	NK4H.125W1%+/-100PPM10R0
R427	0757-0401	1	RESISTOR 100 +-1% .125W TF TC=0+-100	05524	CMF-551000FT-1
R428	0757-0288	1	RESISTOR 9.09K +-1% .125W TF TC=0+-100	05524	CMF-559091FT-1
R430	0757-0442	1	RESISTOR 10K +-1% .125W TF TC=0+-100	05524	CMF-551002FT-1
R500	0757-0346	1	RESISTOR 10 +-1% .125W TF TC=0+-100	06424	NK4H.125W1%+/-100PPM10R0
R501	0757-0290	1	RESISTOR 6.19K +-1% .125W TF TC=0+-100	05524	CMF-556191FT-1
R502	0698-3153	1	RESISTOR 3.83K +-1% .125W TF TC=0+-100	05524	CMF-553831FT-1
R503	0698-3444	1	RESISTOR 316 +-1% .125W TF TC=0+-100	06424	NK4H.125W1%+/-100PPM316R0
R504	0698-0084	1	RESISTOR 2.15K +-1% .125W TF TC=0+-100	06424	NK4H.125W1%+/-100PPM2151
R505	0757-0442	1	RESISTOR 10K +-1% .125W TF TC=0+-100	05524	CMF-551002FT-1
R507	0757-0442	1	RESISTOR 10K +-1% .125W TF TC=0+-100	05524	CMF-551002FT-1
R508	0698-8827	1	RESISTOR 1M +-1% .125W TF TC=0+-100	05524	CMF-551004FT-1
R509	0811-3587	1	RESISTOR 0 CWM	03123	104
R510	0811-3587	1	RESISTOR 0 CWM	03123	104
R511	0698-8823	1	RESISTOR 8.25 +-1% .125W TF TC=0+-100	05524	CMF-558R25FT-1
R513	0757-0346	1	RESISTOR 10 +-1% .125W TF TC=0+-100	06424	NK4H.125W1%+/-100PPM10R0

**HP Part Number 08563-60123
10.7 Filter (continued)**

Reference Designator	HP Part Number	Qty	Description	Mfr Code	Mfr Part Number
R514	0757-0317	1	RESISTOR 1.33K +-1% .125W TF TC=0+-100	05524	CMF-551331FT-1
R515	0757-0279	1	RESISTOR 3.16K +-1% .125W TF TC=0+-100	05524	CMF-553161FT-1
R516	0757-0290	1	RESISTOR 6.19K +-1% .125W TF TC=0+-100	05524	CMF-556191FT-1
R517	0698-3153	1	RESISTOR 3.83K +-1% .125W TF TC=0+-100	05524	CMF-553831FT-1
R518	0698-0084	1	RESISTOR 2.15K +-1% .125W TF TC=0+-100	06424	NK4H.125W1%+/-100PPM2151
R519	0757-0346	1	RESISTOR 10 +-1% .125W TF TC=0+-100	06424	NK4H.125W1%+/-100PPM10R0
R520	0757-0401	1	RESISTOR 100 +-1% .125W TF TC=0+-100	05524	CMF-551000FT-1
R521	0698-3444	1	RESISTOR 316 +-1% .125W TF TC=0+-100	06424	NK4H.125W1%+/-100PPM316R0
R522	0698-7260	1	RESISTOR 10K +-1% .05W TF TC=0+-100	06424	NK3H.05W1%+/-100PPM1002
R524	0757-0442	1	RESISTOR 10K +-1% .125W TF TC=0+-100	05524	CMF-551002FT-1
R525	0698-8827	1	RESISTOR 1M +-1% .125W TF TC=0+-100	05524	CMF-551004FT-1
R527	0698-8823	1	RESISTOR 8.25 +-1% .125W TF TC=0+-100	05524	CMF-558R25FT-1
R530	0757-0317	1	RESISTOR 1.33K +-1% .125W TF TC=0+-100	05524	CMF-551331FT-1
R531	0757-0279	1	RESISTOR 3.16K +-1% .125W TF TC=0+-100	05524	CMF-553161FT-1
R532	0757-0346	1	RESISTOR 10 +-1% .125W TF TC=0+-100	06424	NK4H.125W1%+/-100PPM10R0
R533	0698-3154	1	RESISTOR 4.22K +-1% .125W TF TC=0+-100	05524	CMF-554221FT-1
R534	0698-3156	1	RESISTOR 14.7K +-1% .125W TF TC=0+-100	05524	CMF-551472FT-1
R535	0757-0346	1	RESISTOR 10 +-1% .125W TF TC=0+-100	06424	NK4H.125W1%+/-100PPM10R0
R536	0757-0401	1	RESISTOR 100 +-1% .125W TF TC=0+-100	05524	CMF-551000FT-1
R537	0757-0421	1	RESISTOR 825 +-1% .125W TF TC=0+-100	05524	CMF-558250FT-1
R538	0698-7212	1	RESISTOR 100 +-1% .05W TF TC=0+-100	06424	NK3H.05W1%+/-100PPM100R0
R539	0757-0274	1	RESISTOR 1.21K +-1% .125W TF TC=0+-100	06424	NK4H.125W1%+/-100PPM1211
R541	0757-0274	1	RESISTOR 1.21K +-1% .125W TF TC=0+-100	06424	NK4H.125W1%+/-100PPM1211
R542	0698-7212	1	RESISTOR 100 +-1% .05W TF TC=0+-100	06424	NK3H.05W1%+/-100PPM100R0
R543	0698-7212	1	RESISTOR 100 +-1% .05W TF TC=0+-100	06424	NK3H.05W1%+/-100PPM100R0
R600	0757-0438	1	RESISTOR 5.11K +-1% .125W TF TC=0+-100	06424	NK4H.125W1%+/-100PPM5111
R601	0757-0280	1	RESISTOR 1K +-1% .125W TF TC=0+-100	05524	CMF-551001FT-1
R602	0698-4190	1	RESISTOR 50 +-0.25% .125W TF TC=0+-100	05524	CMF-5550R0CT-1
R603	0698-6320	1	RESISTOR 5K +-0.1% .125W TF TC=0+-25	05524	CMF-555001BT-9
R606	0698-3442	1	RESISTOR 237 +-1% .125W TF TC=0+-100	05524	CMF-552370FT-1
R607	0698-0084	1	RESISTOR 2.15K +-1% .125W TF TC=0+-100	06424	NK4H.125W1%+/-100PPM2151
R608	0757-0442	1	RESISTOR 10K +-1% .125W TF TC=0+-100	05524	CMF-551002FT-1
R609	0757-0346	1	RESISTOR 10 +-1% .125W TF TC=0+-100	06424	NK4H.125W1%+/-100PPM10R0
R610	0698-3444	1	RESISTOR 316 +-1% .125W TF TC=0+-100	06424	NK4H.125W1%+/-100PPM316R0
R611	0757-1094	1	RESISTOR 1.47K +-1% .125W TF TC=0+-100	05524	CMF-551471FT-1

**Indicates factory-selected value*

CLIP 08563-90186 15

Scans by ArtekMedia => 2009

HP Part Number 08563-60123
10.7 Filter (continued)

Reference Designator	HP Part Number	Qty	Description	Mfr Code	Mfr Part Number
R612	0757-0346	1	RESISTOR 10 +-1% .125W TF TC=0+-100	06424	NK4H.125W1%+/-100PPM10R0
R613	0698-3438	1	RESISTOR 147 +-1% .125W TF TC=0+-100	05524	CMF-551470FT-1
R614	0698-3439	1	RESISTOR 178 +-1% .125W TF TC=0+-100	05524	CMF-551780FT-1
R615	0698-3439	1	RESISTOR 178 +-1% .125W TF TC=0+-100	05524	CMF-551780FT-1
R616	0757-0346	1	RESISTOR 10 +-1% .125W TF TC=0+-100	06424	NK4H.125W1%+/-100PPM10R0
R617	0698-3441	1	RESISTOR 215 +-1% .125W TF TC=0+-100	06424	NK4H.125W1%+/-100PPM215R0
R618	0757-0442	1	RESISTOR 10K +-1% .125W TF TC=0+-100	05524	CMF-551002FT-1
R619	0757-1094	1	RESISTOR 1.47K +-1% .125W TF TC=0+-100	05524	CMF-551471FT-1
R620	0757-0279	1	RESISTOR 3.16K +-1% .125W TF TC=0+-100	05524	CMF-553161FT-1
R621	0757-0346	1	RESISTOR 10 +-1% .125W TF TC=0+-100	06424	NK4H.125W1%+/-100PPM10R0
R622	0757-0439	1	RESISTOR 6.81K +-1% .125W TF TC=0+-100	05524	CMF-556811FT-1
R623	0698-7212	1	RESISTOR 100 +-1% .05W TF TC=0+-100	06424	NK3H.05W1%+/-100PPM100R0
R624	0757-0276	1	RESISTOR 61.9 +-1% .125W TF TC=0+-100	05524	CMF-5561R9FT-1
R625	0757-0442	1	RESISTOR 10K +-1% .125W TF TC=0+-100	05524	CMF-551002FT-1
R626	0757-1094	1	RESISTOR 1.47K +-1% .125W TF TC=0+-100	05524	CMF-551471FT-1
R627	0757-0442	1	RESISTOR 10K +-1% .125W TF TC=0+-100	05524	CMF-551002FT-1
R628	0757-0401	1	RESISTOR 100 +-1% .125W TF TC=0+-100	05524	CMF-551000FT-1
R629	0698-0082	1	RESISTOR 464 +-1% .125W TF TC=0+-100	06424	NK4H.125W1%+/-100PPM464R0
R630	0698-0082	1	RESISTOR 464 +-1% .125W TF TC=0+-100	06424	NK4H.125W1%+/-100PPM464R0
R631	0757-0346	1	RESISTOR 10 +-1% .125W TF TC=0+-100	06424	NK4H.125W1%+/-100PPM10R0
R632	0757-0442	1	RESISTOR 10K +-1% .125W TF TC=0+-100	05524	CMF-551002FT-1
R633	0698-3438	1	RESISTOR 147 +-1% .125W TF TC=0+-100	05524	CMF-551470FT-1
R634	0698-7241	1	RESISTOR 1.62K +-1% .05W TF TC=0+-100	06424	NK3H.05W1%+/-100PPM1621
R635	0698-6364	1	RESISTOR 50 +-0.1% .125W TF TC=0+-25	05524	CMF-5550R0BT-9
R636	0698-6364	1	RESISTOR 50 +-0.1% .125W TF TC=0+-25	05524	CMF-5550R0BT-9
R700	0757-0278	1	RESISTOR 1.78K +-1% .125W TF TC=0+-100	05524	CMF-551781FT-1
R701	0698-7284	1	RESISTOR 100K +-1% .05W TF TC=0+-100	05524	CMF-501003FT-1
R702	0757-0346	1	RESISTOR 10 +-1% .125W TF TC=0+-100	06424	NK4H.125W1%+/-100PPM10R0
R703	0698-8827	1	RESISTOR 1M +-1% .125W TF TC=0+-100	05524	CMF-551004FT-1
R704	0698-8827	1	RESISTOR 1M +-1% .125W TF TC=0+-100	05524	CMF-551004FT-1
R705	0698-8827	1	RESISTOR 1M +-1% .125W TF TC=0+-100	05524	CMF-551004FT-1
R706	0698-7236	1	RESISTOR 1K +-1% .05W TF TC=0+-100	06424	NK3H.05W1%+/-100PPM1001
R707	0757-0279	1	RESISTOR 3.16K +-1% .125W TF TC=0+-100	05524	CMF-553161FT-1
R708	0757-0401	1	RESISTOR 100 +-1% .125W TF TC=0+-100	05524	CMF-551000FT-1
R709	0698-0082	1	RESISTOR 464 +-1% .125W TF TC=0+-100	06424	NK4H.125W1%+/-100PPM464R0

**HP Part Number 08563-60123
10.7 Filter (continued)**

Reference Designator	HP Part Number	Qty	Description	Mfr Code	Mfr Part Number
R710	0698-0082	1	RESISTOR 464 +-1% .125W TF TC=0+-100	06424	NK4H.125W1%+/-100PPM464R0
R711	0757-0278	1	RESISTOR 1.78K +-1% .125W TF TC=0+-100	05524	CMF-551781FT-1
R712	0698-7284	1	RESISTOR 100K +-1% .05W TF TC=0+-100	05524	CMF-501003FT-1
R713	0698-8827	1	RESISTOR 1M +-1% .125W TF TC=0+-100	05524	CMF-551004FT-1
R714	0757-0346	1	RESISTOR 10 +-1% .125W TF TC=0+-100	06424	NK4H.125W1%+/-100PPM10R0
R715	0698-8827	1	RESISTOR 1M +-1% .125W TF TC=0+-100	05524	CMF-551004FT-1
R716	0698-8827	1	RESISTOR 1M +-1% .125W TF TC=0+-100	05524	CMF-551004FT-1
R717	0698-7236	1	RESISTOR 1K +-1% .05W TF TC=0+-100	06424	NK3H.05W1%+/-100PPM1001
R718	0698-7248	1	RESISTOR 3.16K +-1% .05W TF TC=0+-100	05524	CMF-503161FT-1
R719	0698-7236	1	RESISTOR 1K +-1% .05W TF TC=0+-100	06424	NK3H.05W1%+/-100PPM1001
R720	0698-7236	1	RESISTOR 1K +-1% .05W TF TC=0+-100	06424	NK3H.05W1%+/-100PPM1001
R721	0757-0442	1	RESISTOR 10K +-1% .125W TF TC=0+-100	05524	CMF-551002FT-1
R722	0698-6366	1	RESISTOR 800 +-0.1% .125W TF TC=0+-25	05524	CMF-558000BT-9
R723	0757-0317	1	RESISTOR 1.33K +-1% .125W TF TC=0+-100	05524	CMF-551331FT-1
R724	0698-6323	1	RESISTOR 100 +-0.1% .125W TF TC=0+-25	05524	CMF-551000BT-9
R725	0698-6323	1	RESISTOR 100 +-0.1% .125W TF TC=0+-25	05524	CMF-551000BT-9
R726	0698-3438	1	RESISTOR 147 +-1% .125W TF TC=0+-100	05524	CMF-551470FT-1
R727	0699-0068	1	RESISTOR 1.47M +-1% .125W TF TC=0+-100	05524	CMF-551474FT-1
R728	0699-0068	1	RESISTOR 1.47M +-1% .125W TF TC=0+-100	05524	CMF-551474FT-1
R729	0698-3445	1	RESISTOR 348 +-1% .125W TF TC=0+-100	06424	NK4H.125W1%+/-100PPM348R0
R730	0698-3447	1	RESISTOR 422 +-1% .125W TF TC=0+-100	05524	CMF-554220FT-1
R731	0757-0394	1	RESISTOR 51.1 +-1% .125W TF TC=0+-100	05524	CMF-5551R1FT-1
R732	0698-3445	1	RESISTOR 348 +-1% .125W TF TC=0+-100	06424	NK4H.125W1%+/-100PPM348R0
R800	0698-3154	1	RESISTOR 4.22K +-1% .125W TF TC=0+-100	05524	CMF-554221FT-1
R801	0757-0442	1	RESISTOR 10K +-1% .125W TF TC=0+-100	05524	CMF-551002FT-1
R802	0757-1094	1	RESISTOR 1.47K +-1% .125W TF TC=0+-100	05524	CMF-551471FT-1
R803	0757-0279	1	RESISTOR 3.16K +-1% .125W TF TC=0+-100	05524	CMF-553161FT-1
R804	0757-0180	1	RESISTOR 31.6 +-1% .125W TF TC=0+-100	06424	NK4H.125W1%+/-100PPM31R6
R805	0757-0401	1	RESISTOR 100 +-1% .125W TF TC=0+-100	05524	CMF-551000FT-1
R806	0757-0401	1	RESISTOR 100 +-1% .125W TF TC=0+-100	05524	CMF-551000FT-1
R807	0757-0401	1	RESISTOR 100 +-1% .125W TF TC=0+-100	05524	CMF-551000FT-1
R808	0757-0401	1	RESISTOR 100 +-1% .125W TF TC=0+-100	05524	CMF-551000FT-1
R809	0757-0401	1	RESISTOR 100 +-1% .125W TF TC=0+-100	05524	CMF-551000FT-1
R810	0698-7284	1	RESISTOR 100K +-1% .05W TF TC=0+-100	05524	CMF-501003FT-1
R811	0698-7284	1	RESISTOR 100K +-1% .05W TF TC=0+-100	05524	CMF-501003FT-1

**Indicates factory-selected value*

CLIP 08563-90186 17

Scans by ArtekMedia => 2009

HP Part Number 08563-60123
10.7 Filter (continued)

Reference Designator	HP Part Number	Qty	Description	Mfr Code	Mfr Part Number
R812	0698-7284	1	RESISTOR 100K +-1% .05W TF TC=0+-100	05524	CMF-501003FT-1
R813	0757-0459	1	RESISTOR 56.2K +-1% .125W TF TC=0+-100	06424	NK4H.125W1%+/-100PPM5622
R814	0757-0465	1	RESISTOR 100K +-1% .125W TF TC=0+-100	05524	CMF-551003FT-1
R815	0698-7284	1	RESISTOR 100K +-1% .05W TF TC=0+-100	05524	CMF-501003FT-1
R816	0698-7284	1	RESISTOR 100K +-1% .05W TF TC=0+-100	05524	CMF-501003FT-1
R817	0698-7284	1	RESISTOR 100K +-1% .05W TF TC=0+-100	05524	CMF-501003FT-1
R818	0698-7284	1	RESISTOR 100K +-1% .05W TF TC=0+-100	05524	CMF-501003FT-1
R819	0698-7284	1	RESISTOR 100K +-1% .05W TF TC=0+-100	05524	CMF-501003FT-1
R820	0698-7284	1	RESISTOR 100K +-1% .05W TF TC=0+-100	05524	CMF-501003FT-1
R821	0698-7284	1	RESISTOR 100K +-1% .05W TF TC=0+-100	05524	CMF-501003FT-1
R822	0698-7284	1	RESISTOR 100K +-1% .05W TF TC=0+-100	05524	CMF-501003FT-1
R823	0698-7284	1	RESISTOR 100K +-1% .05W TF TC=0+-100	05524	CMF-501003FT-1
R824	0698-7284	1	RESISTOR 100K +-1% .05W TF TC=0+-100	05524	CMF-501003FT-1
R825	0698-7284	1	RESISTOR 100K +-1% .05W TF TC=0+-100	05524	CMF-501003FT-1
R826	0698-7284	1	RESISTOR 100K +-1% .05W TF TC=0+-100	05524	CMF-501003FT-1
R827	0698-7284	1	RESISTOR 100K +-1% .05W TF TC=0+-100	05524	CMF-501003FT-1
R828	0698-7284	1	RESISTOR 100K +-1% .05W TF TC=0+-100	05524	CMF-501003FT-1
R829	0698-7284	1	RESISTOR 100K +-1% .05W TF TC=0+-100	05524	CMF-501003FT-1
R830	0698-7284	1	RESISTOR 100K +-1% .05W TF TC=0+-100	05524	CMF-501003FT-1
R831	0698-7284	1	RESISTOR 100K +-1% .05W TF TC=0+-100	05524	CMF-501003FT-1
R832	0698-7284	1	RESISTOR 100K +-1% .05W TF TC=0+-100	05524	CMF-501003FT-1
R833	0698-7284	1	RESISTOR 100K +-1% .05W TF TC=0+-100	05524	CMF-501003FT-1
R834	0698-7284	1	RESISTOR 100K +-1% .05W TF TC=0+-100	05524	CMF-501003FT-1
R835	0698-7284	1	RESISTOR 100K +-1% .05W TF TC=0+-100	05524	CMF-501003FT-1
R836	0698-7284	1	RESISTOR 100K +-1% .05W TF TC=0+-100	05524	CMF-501003FT-1
R837	0698-7284	1	RESISTOR 100K +-1% .05W TF TC=0+-100	05524	CMF-501003FT-1
R838	0698-7284	1	RESISTOR 100K +-1% .05W TF TC=0+-100	05524	CMF-501003FT-1
R839	0698-7284	1	RESISTOR 100K +-1% .05W TF TC=0+-100	05524	CMF-501003FT-1
R840	0698-7284	1	RESISTOR 100K +-1% .05W TF TC=0+-100	05524	CMF-501003FT-1
R841	0757-0442	1	RESISTOR 10K +-1% .125W TF TC=0+-100	05524	CMF-551002FT-1
R842	0757-0442	1	RESISTOR 10K +-1% .125W TF TC=0+-100	05524	CMF-551002FT-1
R843	0698-7284	1	RESISTOR 100K +-1% .05W TF TC=0+-100	05524	CMF-501003FT-1
R844	0698-7233	1	RESISTOR 750 +-1% .05W TF TC=0+-100	06424	NK3H.05W1%+/-100PPM750R0
R845	0698-7257	1	RESISTOR 7.5K +-1% .05W TF TC=0+-100	06424	NK3H.05W1%+/-100PPM7501
R846	0698-7212	1	RESISTOR 100 +-1% .05W TF TC=0+-100	06424	NK3H.05W1%+/-100PPM100R0

HP Part Number 08563-60123
10.7 Filter (continued)

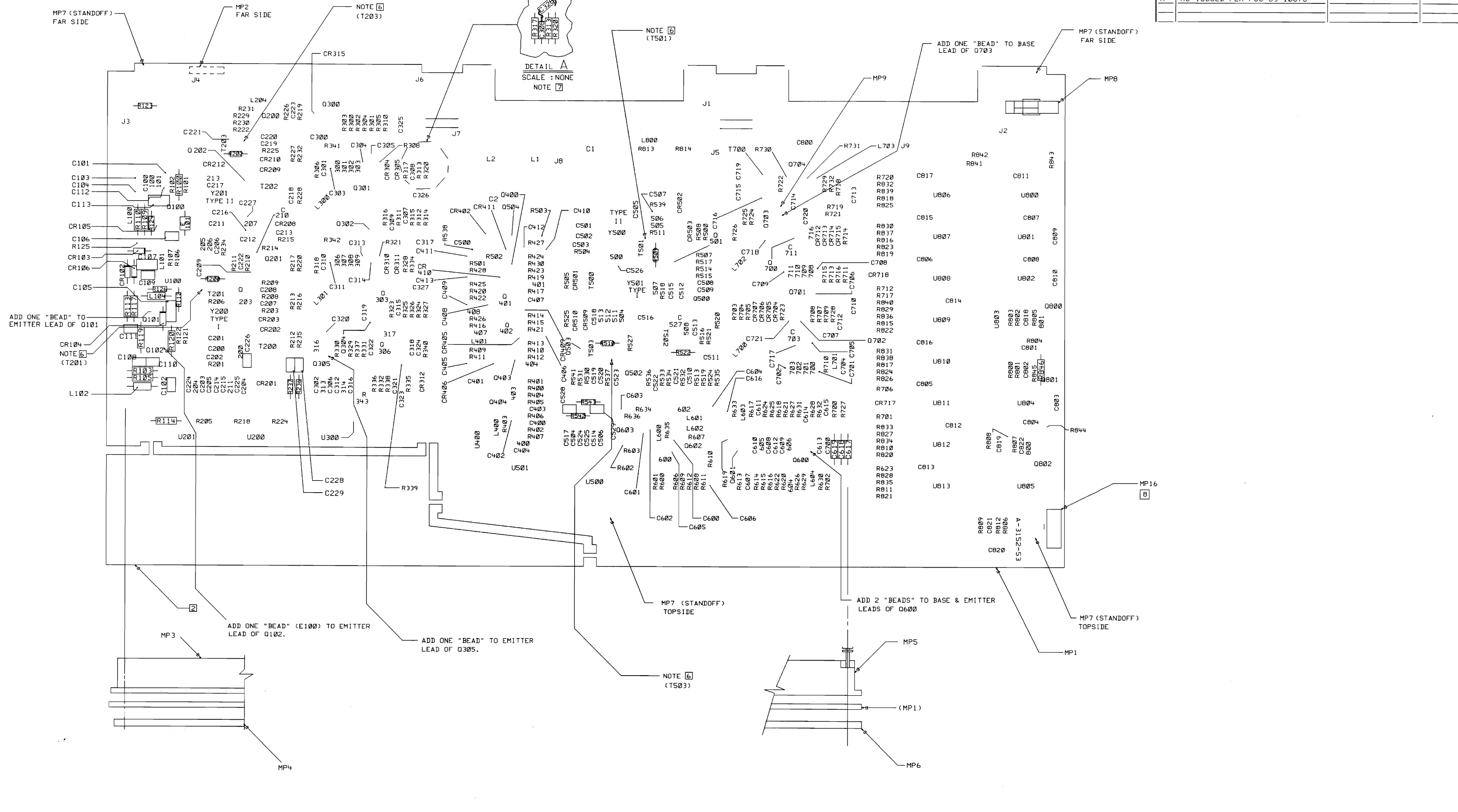
Reference Designator	HP Part Number	Qty	Description	Mfr Code	Mfr Part Number
T200	08562-80073	1	L:3.6 UH VAR	28480	08562-80073
T202	08562-80073	1	L:3.6 UH VAR	28480	08562-80073
T500	08562-80073	1	L:3.6 UH VAR	28480	08562-80073
T502	08562-80073	1	L:3.6 UH VAR	28480	08562-80073
T700	08562-80075	1	XFMR RF TORO1D	28480	08562-80075
U100	1810-1012	1	NET-RES 5 4.22K OHM 10-PIN MULTI-VAL	02483	065-572-049
U200	1810-1013	1	NET-RES MULTIPLE RESISTANCE VALUES	05524	MSP08A-00-SXX
U201	1810-1014	1	NET-RES 5 1.0K OHM 10-PIN MULTI-VAL	05524	MSP10A-00-SXX
U300	1810-1015	1	NET-RES MULTIPLE RESISTANCE VALUES; +-	05524	MSP10A-00-SXX
U400	1810-1400	1	NET-RES 6 PIN SIP; R1=348 OHMS; R2=1K	02483	063-572-025
U500	1810-1017	1	NET-RES MULTIPLE RESISTANCE VALUES	05524	MSP10A-00-SXX
U501	1810-1018	1	NET-RES MULTIPLE RESISTANCE VALUES	05524	MSP10A-00-SXX
U800	1820-3847	1	IC DCDR-DEMURX CMOS/HCT BIN 3-TO-8-LINE	01698	SN74HCT138N
U801	1826-0315	1	IC OP AMP GP QUAD 14 PIN DIP-P	03406	LM348N
U802	1826-0600	1	IC OP AMP LOW-BIAS-H-IMPQ QUAD 14 PIN	01698	TL074ACN
U803	1810-0281	1	NET-RES 9 100.0K OHM 10-PIN	06252	750-101
U804	1826-1222	1	IC OP AMP H-SLEW-RATE QUAD 14 PIN DIP-P	36633	MC34074AP
U805	BB1858-0008KI	1		28480	BB1858-0008KI
U806	1826-1234	1	D/A 8-BIT 20-CERDIP CMOS	03285	AD7226BQ
U807	1826-1234	1	D/A 8-BIT 20-CERDIP CMOS	03285	AD7226BQ
U808	1820-4465	1	IC FF CMOS/HCT D-TYPE POS-EDGE-TRIG COM	02910	74HCT377N
U809	1826-1234	1	D/A 8-BIT 20-CERDIP CMOS	03285	AD7226BQ
U810	1826-1234	1	D/A 8-BIT 20-CERDIP CMOS	03285	AD7226BQ
U811	1820-4465	1	IC FF CMOS/HCT D-TYPE POS-EDGE-TRIG COM	02910	74HCT377N
U812	1826-1234	1	D/A 8-BIT 20-CERDIP CMOS	03285	AD7226BQ
U813	1826-1234	1	D/A 8-BIT 20-CERDIP CMOS	03285	AD7226BQ
Y200	0410-1860		PRECISION FILTER SET PRECISION FILTER	01409	0410-1860
Y201	0410-1860		PRECISION FILTER SET PRECISION FILTER	01409	0410-1860
Y500	0410-1860		PRECISION FILTER SET PRECISION FILTER	01409	0410-1860
Y501	0410-1860		PRECISION FILTER SET PRECISION FILTER	01409	0410-1860

**Indicates factory-selected value*

CLIP 08563-90186 19

Scans by ArtekMedia => 2009

SYM	REVISIONS	APPROVED	DATE
A	AS ISSUED PER PCO 53-10078		



118

SEE 08563-60123 FOR MATERIAL LIST

- 5. THREE DIGIT REFERENCE DESIGNATORS WITHOUT LETTERS ARE PREFIXED WITH CR. EXAMPLE- 204 BECOMES CR204.
- 6 DO NOT LOAD T201, T203, T501 AND T503.
- 7 ADD C328 BETWEEN C308 AND VIA. SEE DEATIL A.
- 8 08563-60123 USES RAW BOARD NUMBER 08563-20023. ADD LABEL, MP16 TO MAKE THE DESTINCTION.

AGILENT TECHNOLOGIES
RESTRICTED

THIS DOCUMENT CONTAINS CONFIDENTIAL, PROPRIETARY INFORMATION THAT IS AGILENT TECHNOLOGIES PROPERTY. DO NOT DISCLOSE TO OR DUPLICATE FOR OTHERS EXCEPT AS AUTHORIZED BY AGILENT TECHNOLOGIES.

UNLESS OTHERWISE SPECIFIED, DIMENSIONS ARE IN INCHES.

TOLERANCES: XX.XXX ±.010
XX.XX ±.02

THIRD ANGLE PROJECTION

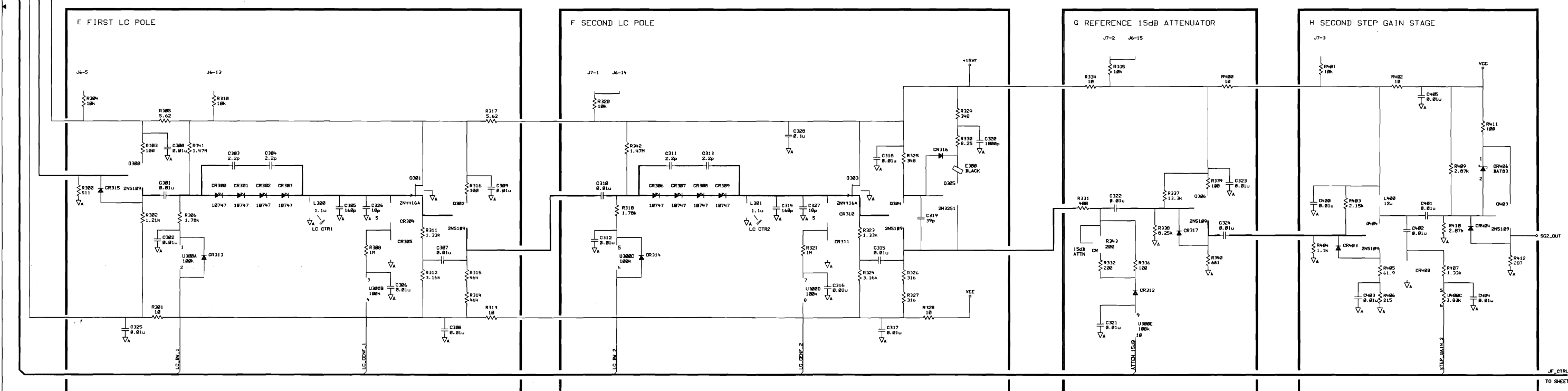
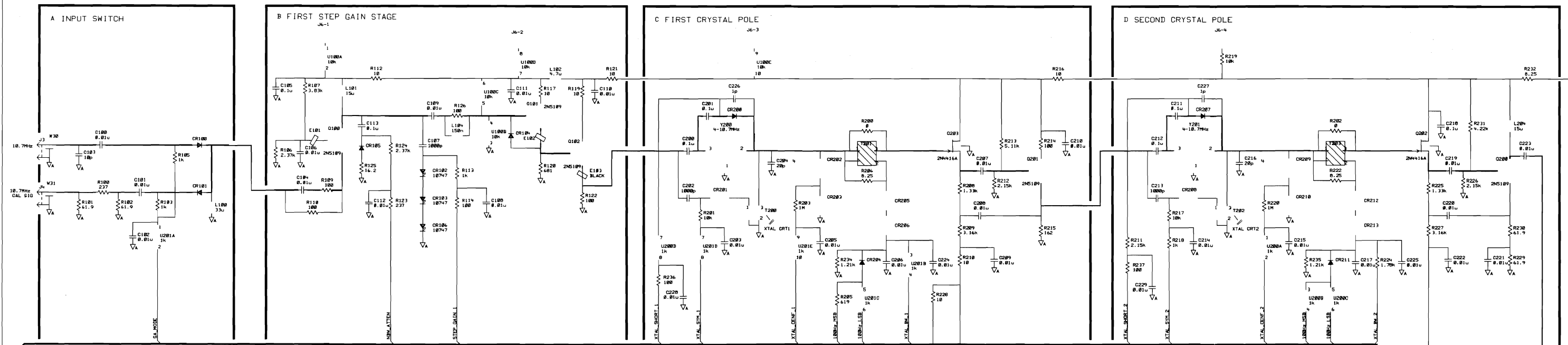
DO NOT SCALE THIS DRAWING

DRAWN BY	DATE
ENGINEER/CHECKER	DATE
RELEASE TO PROD.	DATE
SUPERSEDES DWG.	

ASSEMBLY, PWB
10.7 FILTER

elect123 FILENAME	Agilent Technologies
SCALE NONE	
SHEET 1 OF 1	08563-60123 PART NUMBER
D-08563-60123-2	

TITLE



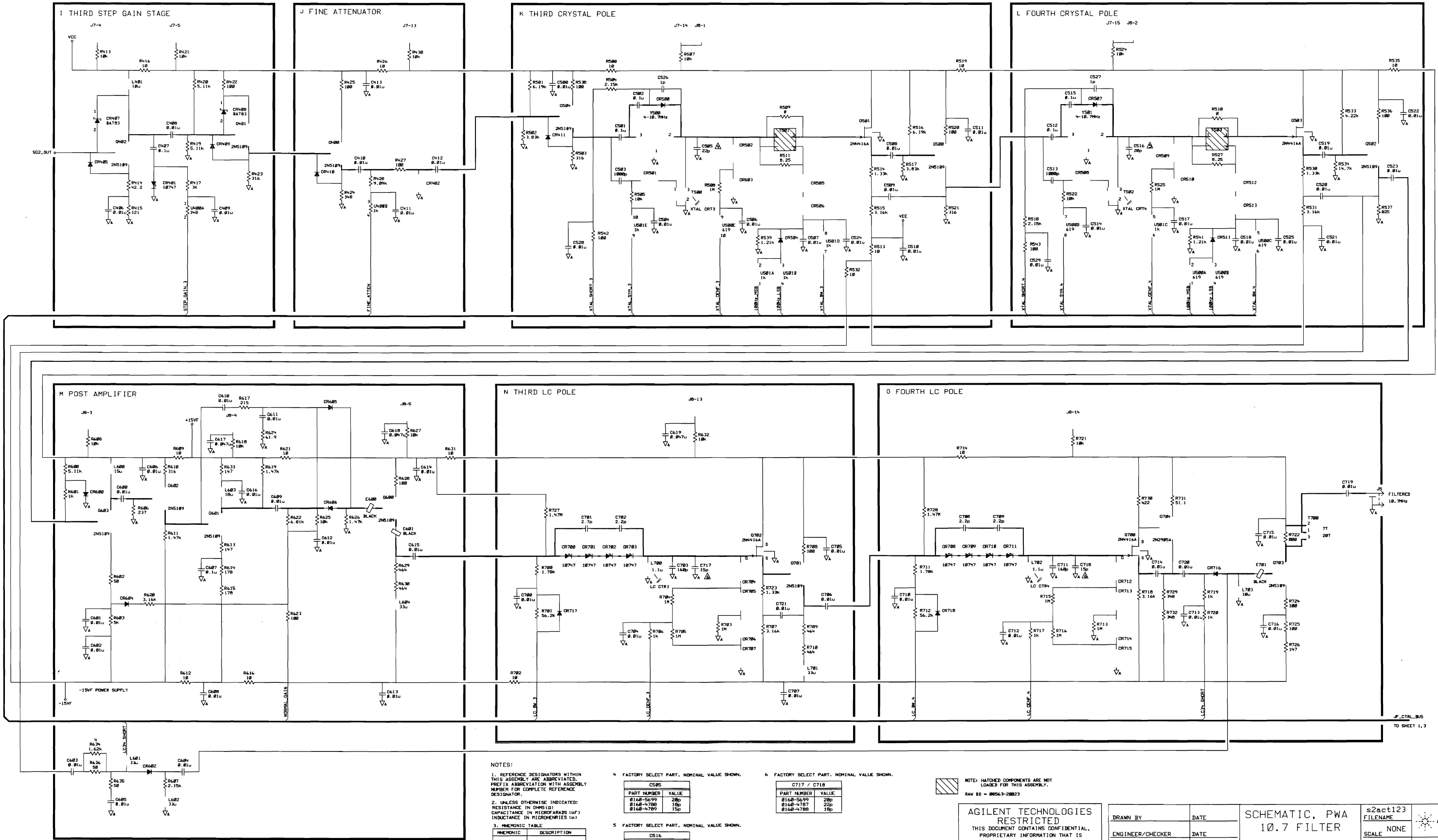
NOTES:

- REFERENCE DESIGNATORS WITHIN THIS ASSEMBLY ARE ABBREVIATED. PREFIX ABBREVIATION WITH ASSEMBLY NUMBER FOR COMPLETE REFERENCE DESIGNATOR.
- UNLESS OTHERWISE INDICATED: RESISTANCE IN OHMS (Ω), CAPACITANCE IN MICROGRAMS (μF), INDUCTANCE IN MICROHENRIES (μH)
- FACTORY SELECT PART. NOMINAL VALUE SHOWN.
- FACTORY SELECT PART. NOMINAL VALUE SHOWN.
- FACTORY SELECT PART. NOMINAL VALUE SHOWN.

C226 / C216	C326 / C327
PART NUMBER	PART NUMBER
VALUE	VALUE
0168-4787 22p	0168-5699 28p
0168-4788 15p	0168-4787 22p
0168-4789 15p	0168-4785 15p

NOTE: HATCHED COMPONENTS ARE NOT LOADED FOR THIS ASSEMBLY.
RAW 33 - 08563-20023

<p>AGILENT TECHNOLOGIES RESTRICTED THIS DOCUMENT CONTAINS CONFIDENTIAL, PROPRIETARY INFORMATION THAT IS AGILENT TECHNOLOGIES PROPERTY. DO NOT DISCLOSE TO OR DUPLICATE FOR OTHERS EXCEPT AS AUTHORIZED BY AGILENT TECHNOLOGIES.</p>		<p>SCHEMATIC, PWA 10.7 FILTER</p>	<p>FILENAME: s1act123 SCALE: NONE SHEET 1 OF 3 PART NUMBER: 08563-60123-1</p>
<p>DRAWN BY: _____ DATE: _____</p> <p>ENGINEER/CHECKER: _____ DATE: _____</p> <p>RELEASE TO PROD.: _____ DATE: _____</p> <p>SUPERSEDES DMG. _____</p>	<p>DATE: _____</p> <p>DATE: _____</p> <p>DATE: _____</p>	<p>TITLE: _____</p>	<p>Agilent Technologies</p>



NOTES:

- REFERENCE DESIGNATORS WITHIN THIS ASSEMBLY ARE ABBREVIATED. PREFIX ABBREVIATION WITH ASSEMBLY NUMBER FOR COMPLETE REFERENCE DESIGNATOR.
- UNLESS OTHERWISE INDICATED: RESISTANCE IN OHMS (Ω) CAPACITANCE IN MICROFARADS (μF) INDUCTANCE IN MICROHENRIES (μH)
- PHONETIC TABLE
- FACTORY SELECT PART. NOMINAL VALUE SHOWN.
- FACTORY SELECT PART. NOMINAL VALUE SHOWN.
- FACTORY SELECT PART. NOMINAL VALUE SHOWN.

PART NUMBER	VALUE
0168-5099	20p
0168-4786	15p
0168-4789	15p

PART NUMBER	VALUE
0168-5099	20p
0168-4787	22p
0168-4788	18p

PART NUMBER	VALUE
0168-4786	10p
0168-4787	22p
0168-4789	15p

NOTE: HATCHED COMPONENTS ARE NOT LOADED FOR THIS ASSEMBLY.
RAW 80 - 08563-28823

AGILENT TECHNOLOGIES
RESTRICTED
THIS DOCUMENT CONTAINS CONFIDENTIAL, PROPRIETARY INFORMATION THAT IS AGILENT TECHNOLOGIES PROPERTY. DO NOT DISCLOSE TO OR DUPLICATE FOR OTHERS EXCEPT AS AUTHORIZED BY AGILENT TECHNOLOGIES.

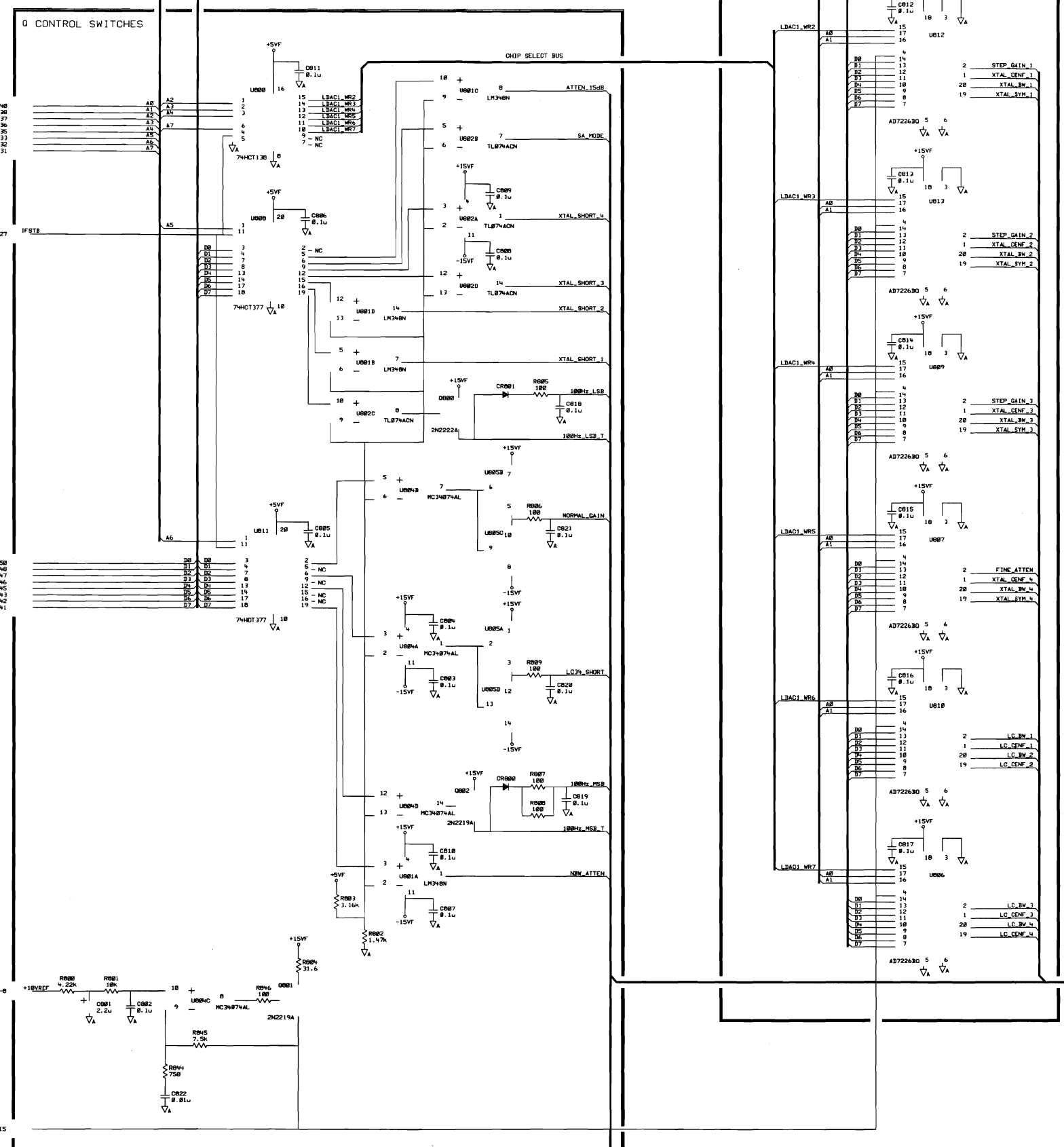
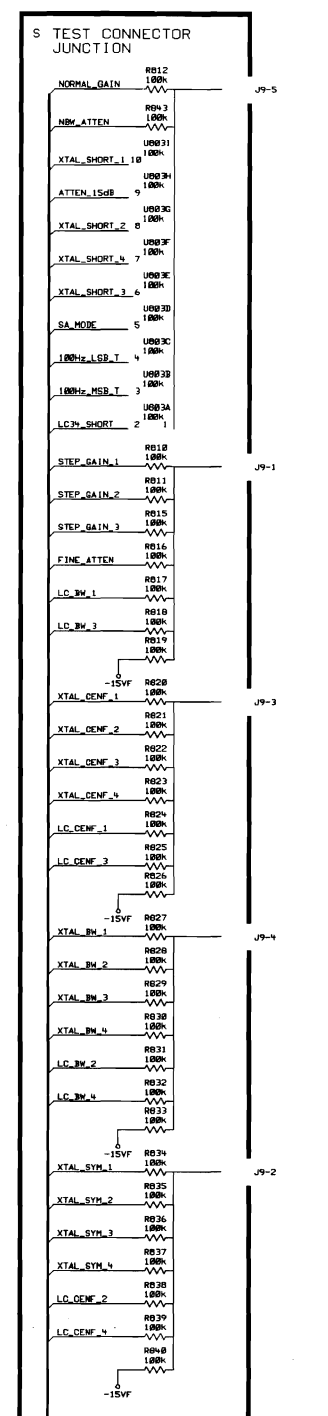
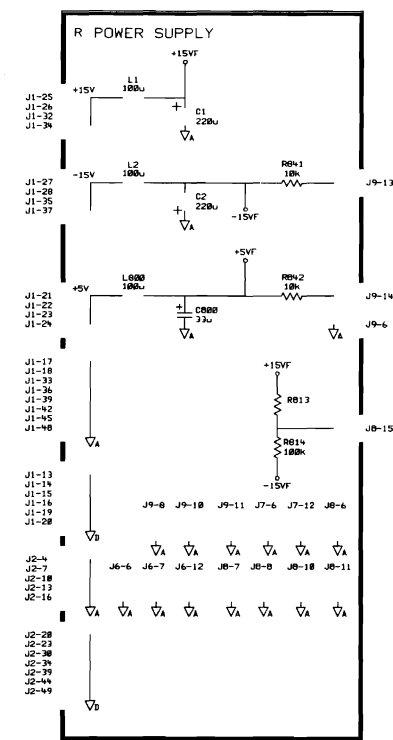
DRAWN BY	DATE
ENGINEER/CHECKER	DATE
RELEASE TO PROD.	DATE
SUPERSEDES DWG.	

SCHEMATIC, PWA
10.7 FILTER

TITLE

s2act123	Agilent Technologies
FILENAME	
SCALE	NONE
SHEET	2 OF 3
PART NUMBER	08563-60123
	08563-60123-1

SYM	REVISIONS	APPROVED	DATE
A	AS ISSUED PER PCO 53-10878		08-05-97
B	CHANGED PER PCO 53-13202 /DM		03-10-99
C	CHANGED PER ECD 53-14930 SL		04-27-00



J1	PIN	SIGNAL	TO/FROM	FUNCTION BLOCK
	1	-15V(NEG)		R77(R77(NEG))
	2	-15V(NEG)		R77(R77(NEG))
	3	+15V(POS)		R77(R77(POS))
	4	+15V(POS)		R77(R77(POS))
	5	LINE TRIG(NEG)		U001(001(NEG))
	6	+5V(POS)		U001(001(POS))
	7	+5V(POS)		U001(001(POS))
	8	+5V(POS)		U001(001(POS))
	9	+5V(POS)		U001(001(POS))
	10	+5V(POS)		U001(001(POS))
	11	+5V(POS)		U001(001(POS))
	12	+5V(POS)		U001(001(POS))
	13	+5V(POS)		U001(001(POS))
	14	AGND		U001(001(AGND))
	15	AGND		U001(001(AGND))
	16	AGND		U001(001(AGND))
	17	AGND		U001(001(AGND))
	18	AGND		U001(001(AGND))
	19	AGND		U001(001(AGND))
	20	AGND		U001(001(AGND))
	21	AGND		U001(001(AGND))
	22	AGND		U001(001(AGND))
	23	AGND		U001(001(AGND))
	24	AGND		U001(001(AGND))
	25	AGND		U001(001(AGND))
	26	AGND		U001(001(AGND))
	27	AGND		U001(001(AGND))
	28	AGND		U001(001(AGND))
	29	AGND		U001(001(AGND))
	30	AGND		U001(001(AGND))
	31	AGND		U001(001(AGND))
	32	AGND		U001(001(AGND))
	33	AGND		U001(001(AGND))
	34	AGND		U001(001(AGND))
	35	AGND		U001(001(AGND))
	36	AGND		U001(001(AGND))
	37	AGND		U001(001(AGND))
	38	AGND		U001(001(AGND))
	39	AGND		U001(001(AGND))
	40	AGND		U001(001(AGND))
	41	AGND		U001(001(AGND))
	42	AGND		U001(001(AGND))
	43	AGND		U001(001(AGND))
	44	AGND		U001(001(AGND))
	45	AGND		U001(001(AGND))
	46	AGND		U001(001(AGND))
	47	AGND		U001(001(AGND))
	48	AGND		U001(001(AGND))
	49	AGND		U001(001(AGND))
	50	AGND		U001(001(AGND))

J6	PIN	SIGNAL	TO/FROM	FUNCTION BLOCK
	1	J6-HS1		H
	2	J6-HS2		H
	3	J6-HS3		H
	4	J6-HS4		H
	5	J6-HS5		H
	6	J6-HS6		H
	7	J6-HS7		H
	8	J6-HS8		H
	9	J6-HS9		H
	10	J6-HS10		H
	11	J6-HS11		H
	12	J6-HS12		H
	13	J6-HS13		H
	14	J6-HS14		H
	15	J6-HS15		H
	16	J6-HS16		H

J8	PIN	SIGNAL	TO/FROM	FUNCTION BLOCK
	1	J8-HS1		H
	2	J8-HS2		H
	3	J8-HS3		H
	4	J8-HS4		H
	5	J8-HS5		H
	6	J8-HS6		H
	7	J8-HS7		H
	8	J8-HS8		H
	9	J8-HS9		H
	10	J8-HS10		H
	11	J8-HS11		H
	12	J8-HS12		H
	13	J8-HS13		H
	14	J8-HS14		H
	15	J8-HS15		H
	16	J8-HS16		H

NOTES:
 1. REFERENCE DESIGNATORS WITHIN THIS ASSEMBLY ARE ABBREVIATED. PREFIX ABBREVIATION WITH ASSEMBLY NUMBER FOR COMPLETE REFERENCE DESIGNATOR.
 2. UNLESS OTHERWISE INDICATED: RESISTANCE IN OHMS (Ω) CAPACITANCE IN MICROFARADS (μF) INDUCTANCE IN MICROHENRIES (μH)
 3. MNEMONIC TABLE
 4. FACTORY SELECT PART. NOMINAL VALUE SHOWN.

AGILENT TECHNOLOGIES
 RESTRICTED
 THIS DOCUMENT CONTAINS CONFIDENTIAL, PROPRIETARY INFORMATION THAT IS AGILENT TECHNOLOGIES PROPERTY. DO NOT DISCLOSE TO OR DUPLICATE FOR OTHERS EXCEPT AS AUTHORIZED BY AGILENT TECHNOLOGIES.

DRAM BY	DATE
ENGINEER/CHECKER	DATE
RELEASE TO PROD.	DATE
SUPERSEDES DWG.	

S3act123	FILENAME	Agilent Technologies
SCALE	NONE	
SHEET 3 OF 3	08563-60123	PART NUMBER
	08563-60123-1	

Component-Level Information Packet for 08564-60031

08564-60031



**HP Part No. 08564-90039
Printed in USA May 2000**

Notice. The information contained in this document is subject to change without notice.

Hewlett-Packard makes no warranty of any kind with regard to this material, including, but not limited to, the implied warranties of merchantability and fitness for a particular purpose. Hewlett-Packard shall not be liable for errors contained herein or for incidental or consequential damages in connection with the furnishing, performance, or use of this material.

©Copyright Hewlett-Packard Company 1990, 1991, 1992, 1993, 1994, 1995, 1996
All Rights Reserved. Reproduction, adaptation, or translation without prior written permission is prohibited, except as allowed under the copyright laws.

HP Part Number 08564-60031
08564-60031

Reference Designator	HP Part Number	Qty	Description	Mfr Code	Mfr Part Number
C101	0180-4476	1	CAP-FXD 470uF +-20% 200 V AL-ELCTLT	06360	KMH200VN471M25X30T2
C102	0180-4476	1	CAP-FXD 470uF +-20% 200 V AL-ELCTLT	06360	KMH200VN471M25X30T2
C103	0160-4065	1	CAP-FXD 0.1uF +-20% 250 V PPR-MET	11892	PME271M610M
C104	0160-4065	1	CAP-FXD 0.1uF +-20% 250 V PPR-MET	11892	PME271M610M
C105	0160-4281	1	CAP-FXD 2200pF +-20% 250 V PPR-MET	11892	PME271Y422M
C106	0160-4281	1	CAP-FXD 2200pF +-20% 250 V PPR-MET	11892	PME271Y422M
C107	0180-4476	1	CAP-FXD 470uF +-20% 200 V AL-ELCTLT	06360	KMH200VN471M25X30T2
C108	0180-4476	1	CAP-FXD 470uF +-20% 200 V AL-ELCTLT	06360	KMH200VN471M25X30T2
C109	0160-6896	1	CAP-FXD 0.015uF +-5% 400 V POLYP-MET	06127	MKP10/0.015UF/400VDC/5%
C113	0160-4065	1	CAP-FXD 0.1uF +-20% 250 V PPR-MET	11892	PME271M610M
C131	0160-4832	1	CAP-FXD 0.01uF +-10% 100 V CER X7R	02010	SA101C103KAAH
C132	0160-0575	1	CAP-FXD 0.047uF +-20% 50 V CER X7R	06121	B37987-M5473-M51
C133	0160-4835	1	CAP-FXD 0.1uF +-10% 50 V CER X7R	02010	SA105C104KAAH
C201	0180-3705	1	CAP-FXD 47uF +-20% 50 V AL-ELCTLT	08709	ECE-A1HU470I
C203	0180-3769	1	CAP-FXD 6.8uF +-10% 35 V TA	12340	T398F685K035AS
C204	0160-4832	1	CAP-FXD 0.01uF +-10% 100 V CER X7R	02010	SA101C103KAAH
C205	0160-4819	1	CAP-FXD 2200pF +-5% 100 V CER C0G	02010	SA301A222JAAH
C206	0180-3632	1	CAP-FXD 22uF +-20% 50 V AL-ELCTLT	06360	KMC50VB22RM6X11RPX
C207	0160-4831	1	CAP-FXD 4700pF +-10% 100 V CER X7R	02010	SA101C472KAAH
C208	0160-4833	1	CAP-FXD 0.022uF +-10% 100 V CER X7R	02010	SA201C223KAAH
C209	0160-4831	1	CAP-FXD 4700pF +-10% 100 V CER X7R	02010	SA101C472KAAH
C210	0160-4835	1	CAP-FXD 0.1uF +-10% 50 V CER X7R	02010	SA105C104KAAH
C211	0180-3844	1	CAP-FXD 3.3uF +-10% 35 V TA	12340	T398D335K035AS
C212	0160-4832	1	CAP-FXD 0.01uF +-10% 100 V CER X7R	02010	SA101C103KAAH
C213	0160-0575	1	CAP-FXD 0.047uF +-20% 50 V CER X7R	06121	B37987-M5473-M51
C215	0160-4574	1	CAP-FXD 1000pF +-10% 100 V CER X7R	02010	SA101C102KAAH
C301	0180-4493	1	CAP-FXD 470uF +-20% 50 V AL-ELCTLT	06360	LXV50VB471M12X25FT
C302	0180-4487	1	CAP-FXD 1000uF +-20% 50 V AL-ELCTLT	06360	LXV50VB102M16X30LL
C303	0180-4376	1	CAP-FXD 2700uF +-20% 25 V AL-ELCTLT	06360	LXV25VB272M16X30LL
C305	0180-4486	1	CAP-FXD 6800uF +-20% 10 V AL-ELCTLT	06360	LXV10VB682M16X35LL
C306	0180-4376	1	CAP-FXD 2700uF +-20% 25 V AL-ELCTLT	06360	LXV25VB272M16X30LL
C307	0180-3769	1	CAP-FXD 6.8uF +-10% 35 V TA	12340	T398F685K035AS
C308	0180-3769	1	CAP-FXD 6.8uF +-10% 35 V TA	12340	T398F685K035AS
C310	0180-4316	1	CAP-FXD 220uF +-20% 50 V AL-ELCTLT	06360	SME50VB221M10X16LL
C311	0180-4316	1	CAP-FXD 220uF +-20% 50 V AL-ELCTLT	06360	SME50VB221M10X16LL

*Indicates factory-selected value

CLIP 08564-90039 1

**HP Part Number 08564-60031
08564-60031 (continued)**

Reference Designator	HP Part Number	Qty	Description	Mfr Code	Mfr Part Number
C312	0180-4316	1	CAP-FXD 220uF +-20% 50 V AL-ELCTLT	06360	SME50VB221M10X16LL
C313	0180-4316	1	CAP-FXD 220uF +-20% 50 V AL-ELCTLT	06360	SME50VB221M10X16LL
C315	0180-3769	1	CAP-FXD 6.8uF +-10% 35 V TA	12340	T398F685K035AS
C316	0180-4001	1	CAP-FXD 22uF +-10% 35 V TA	12340	T396K226K035AS
C321	0160-0575	1	CAP-FXD 0.047uF +-20% 50 V CER X7R	06121	B37987-M5473-M51
C322	0160-0575	1	CAP-FXD 0.047uF +-20% 50 V CER X7R	06121	B37987-M5473-M51
C323	0160-0575	1	CAP-FXD 0.047uF +-20% 50 V CER X7R	06121	B37987-M5473-M51
C324	0160-0575	1	CAP-FXD 0.047uF +-20% 50 V CER X7R	06121	B37987-M5473-M51
C325	0160-0575	1	CAP-FXD 0.047uF +-20% 50 V CER X7R	06121	B37987-M5473-M51
C326	0160-4835	1	CAP-FXD 0.1uF +-10% 50 V CER X7R	02010	SA105C104KAAH
C327	0180-4376	1	CAP-FXD 2700uF +-20% 25 V AL-ELCTLT	06360	LXV25VB272M16X30LL
C328	0180-4493	1	CAP-FXD 470uF +-20% 50 V AL-ELCTLT	06360	LXV50VB471M12X25FT
C342	0160-4574	1	CAP-FXD 1000pF +-10% 100 V CER X7R	02010	SA101C102KAAH
C401	0180-3775	1	CAP-FXD 68uF +-10% 10 V TA	12340	T398H686K010AS
C402	0160-5100	1	CAP-FXD 2700pF +-5% 100 V CER C0G	02010	SA301A272JAAH
C403	0160-4833	1	CAP-FXD 0.022uF +-10% 100 V CER X7R	02010	SA201C223KAAH
C404	0160-4832	1	CAP-FXD 0.01uF +-10% 100 V CER X7R	02010	SA101C103KAAH
C405	0160-4832	1	CAP-FXD 0.01uF +-10% 100 V CER X7R	02010	SA101C103KAAH
C406	0180-3603	1	CAP-FXD 10uF +-20% 160 V AL-ELCTLT	00779	UVZ2C100MPH
C407	0160-5583	1	CAP-FXD 1uF +-10% 160 V POLYP-MET	06127	MKP-10
C408	0160-0576	1	CAP-FXD 0.1uF +-20% 50 V CER X7R	06352	FD12X7R1H104M
C409	0160-4832	1	CAP-FXD 0.01uF +-10% 100 V CER X7R	02010	SA101C103KAAH
C410	0160-0575	1	CAP-FXD 0.047uF +-20% 50 V CER X7R	06121	B37987-M5473-M51
C415	0160-4832	1	CAP-FXD 0.01uF +-10% 100 V CER X7R	02010	SA101C103KAAH
C416	0180-0500	1	CAP-FXD 47uF +-20% 20 V TA	01760	202L2002-476-M6-552
CR101	1901-1098	1	DIODE-SWITCHING 1N4150 50V 200MA 4NS	00746	1901-1098
CR102	1901-1130	1	DIODE-GEN PRP 600V 8A 50NS TO-220AC	02910	BYV29-500
CR103	1901-1130	1	DIODE-GEN PRP 600V 8A 50NS TO-220AC	02910	BYV29-500
CR104	1901-1130	1	DIODE-GEN PRP 600V 8A 50NS TO-220AC	02910	BYV29-500
CR105	1901-1130	1	DIODE-GEN PRP 600V 8A 50NS TO-220AC	02910	BYV29-500
CR107	1901-1214	1	DIODE-PWR RECT 600V 1A 50NS	36633	MUR160RL
CR108	1901-1130	1	DIODE-GEN PRP 600V 8A 50NS TO-220AC	02910	BYV29-500
CR131	1901-1214	1	DIODE-PWR RECT 600V 1A 50NS	36633	MUR160RL
CR201	1901-1065	1	DIODE-PWR RECT 1N4936 400V 1A 200NS	12268	1N4936
CR301	1906-0446	1	DIODE-DUAL 200V TO-220AB	36633	MUR1620CTR

HP Part Number 08564-60031
08564-60031 (continued)

Reference Designator	HP Part Number	Qty	Description	Mfr Code	Mfr Part Number
CR302	1906-0262	1	DIODE-CT-RECT 100V 3A	02688	UES 2402
CR303	1901-1065	1	DIODE-PWR RECT 1N4936 400V 1A 200NS	12268	1N4936
CR304	1906-0262	1	DIODE-CT-RECT 100V 3A	02688	UES 2402
CR305	1906-0446	1	DIODE-DUAL 200V TO-220AB	36633	MUR1620CTR
CR306	1906-0269	1	DIODE-CT-RECT 40V 10.8A	03038	12CTQ040
CR307	1906-0446	1	DIODE-DUAL 200V TO-220AB	36633	MUR1620CTR
CR308	1901-1065	1	DIODE-PWR RECT 1N4936 400V 1A 200NS	12268	1N4936
CR313	1901-1098	1	DIODE-SWITCHING 1N4150 50V 200MA 4NS	00746	1901-1098
CR314	1901-1098	1	DIODE-SWITCHING 1N4150 50V 200MA 4NS	00746	1901-1098
CR315	1901-0033	1	DIODE-GEN PRP 180V 200MA DO-35	02237	1MD2
CR316	1901-1279	1	DIODE-SCHOTTKY 60V 1NS DO-34	02910	BAT83
CR319	1901-1279	1	DIODE-SCHOTTKY 60V 1NS DO-34	02910	BAT83
CR320	1901-1065	1	DIODE-PWR RECT 1N4936 400V 1A 200NS	12268	1N4936
CR401	1901-1065	1	DIODE-PWR RECT 1N4936 400V 1A 200NS	12268	1N4936
CR402	1901-1065	1	DIODE-PWR RECT 1N4936 400V 1A 200NS	12268	1N4936
CR403	1901-1065	1	DIODE-PWR RECT 1N4936 400V 1A 200NS	12268	1N4936
CR404	1901-1065	1	DIODE-PWR RECT 1N4936 400V 1A 200NS	12268	1N4936
CR405	1901-1065	1	DIODE-PWR RECT 1N4936 400V 1A 200NS	12268	1N4936
E101	1970-0096	1	TUBE-ELECTRON SURGE V PTCTR	11484	2027-23B(H)
E301	9170-1366	1	CORE-SHIELDING BEAD	03827	2743001112
E302	9170-1366	1	CORE-SHIELDING BEAD	03827	2743001112
E303	9170-1366	1	CORE-SHIELDING BEAD	03827	2743001112
E304	9170-1366	1	CORE-SHIELDING BEAD	03827	2743001112
E305	9170-1366	1	CORE-SHIELDING BEAD	03827	2743001112
E306	9170-0847	1	CORE-SHIELDING BEAD	06337	5659065-3B-C
E307	9170-0847	1	CORE-SHIELDING BEAD	06337	5659065-3B-C
F301	2110-0684	1	FUSE-SUBMINIATURE 2A 125V NTD AX UL-LST	04703	R251 002T1
J1	1251-8669	1	CONN-POST TYPE .100-PIN-SPCG-MTG-END	04726	3433-6302
J2	1251-8507	1	CONN-UTIL MT-LK 6-CONT-POS 6-CONT	01380	350762-4
J3	1252-2044	1	CONN-POST TYPE .100-PIN-SPCG-MTG-END	01380	644222-1
J4	1252-2045	1	CONN-POST TYPE .100-PIN-SPCG-MTG-END	01380	644093-2
J5	1252-1744	1	CONN-POST TYPE .100-PIN-SPCG-MTG-END	01380	103414-3
J7	1252-1237	1	CONN-POST TYPE .100-PIN-SPCG-MTG-END	01380	103414-2
J101	1251-5804	1	CONN-UTIL MT-LK 2-CONT-POS 2-CONT	01380	350824-1
L101	9140-1719	1	INDUCTOR, POWER LINE COM MODE L=18mH	27387	9140-1719

*Indicates factory-selected value

CLIP 08564-90039 3

HP Part Number 08564-60031
08564-60031 (continued)

Reference Designator	HP Part Number	Qty	Description	Mfr Code	Mfr Part Number
L102	9140-1181	1	INDUCTOR-FIXED L(@10 KHZ): 12 UH+-10% @	01886	G6925-A
L103	9140-1181	1	INDUCTOR-FIXED L(@10 KHZ): 12 UH+-10% @	01886	G6925-A
L104	9140-1181	1	INDUCTOR-FIXED L(@10 KHZ): 12 UH+-10% @	01886	G6925-A
L105	5182-1201	1	L: 1MH -0+20%	28480	5182-1201
L106	9100-1788	1	CORE-FERRITE CHOKE-WIDEBAND;IMP:>680	11212	LB2/2.5ZB
L401	9140-0922	1	INDUCTOR RF-CH-MLD 20mH +-5%	05524	IM-10-01-20000UH 5%
L402	9140-1181	1	INDUCTOR-FIXED L(@10 KHZ): 12 UH+-10% @	01886	G6925-A
MP3	5022-1112	1	HEATSINK	28480	5022-1112
MP4	5021-7455	1	HEATSINK	28480	5021-7455
MP5	5021-6308	1	HEATSINK-RGLTR	28480	5021-6308
MP6	0340-1146	1	INSULATOR SIL-RBR	05447	0340-1146
MP7	5041-7282	1	B-INSUL TO-220	28480	5041-7282
MP8	5041-7282	1	B-INSUL TO-220	28480	5041-7282
MP9	5041-7282	1	B-INSUL TO-220	28480	5041-7282
MP10	5041-7282	1	B-INSUL TO-220	28480	5041-7282
MP11	5041-7282	1	B-INSUL TO-220	28480	5041-7282
MP12	5041-7282	1	B-INSUL TO-220	28480	5041-7282
MP13	5041-7282	1	B-INSUL TO-220	28480	5041-7282
MP14	5041-7282	1	B-INSUL TO-220	28480	5041-7282
MP15	5041-7282	1	B-INSUL TO-220	28480	5041-7282
MP16	5041-7282	1	B-INSUL TO-220	28480	5041-7282
MP17	5041-7282	1	B-INSUL TO-220	28480	5041-7282
MP18	5041-7282	1	B-INSUL TO-220	28480	5041-7282
MP19	5041-7282	1	B-INSUL TO-220	28480	5041-7282
MP20	5041-7282	1	B-INSUL TO-220	28480	5041-7282
MP21	0515-0367	1	SCREW-MACHINE ASSEMBLY M2.5 X 0.45	05610	0515-0367
MP22	0515-0367	1	SCREW-MACHINE ASSEMBLY M2.5 X 0.45	05610	0515-0367
MP23	0515-0367	1	SCREW-MACHINE ASSEMBLY M2.5 X 0.45	05610	0515-0367
MP24	0515-0367	1	SCREW-MACHINE ASSEMBLY M2.5 X 0.45	05610	0515-0367
MP25	0515-0367	1	SCREW-MACHINE ASSEMBLY M2.5 X 0.45	05610	0515-0367
MP26	0515-0367	1	SCREW-MACHINE ASSEMBLY M2.5 X 0.45	05610	0515-0367
MP27	0515-0367	1	SCREW-MACHINE ASSEMBLY M2.5 X 0.45	05610	0515-0367
MP28	0515-0367	1	SCREW-MACHINE ASSEMBLY M2.5 X 0.45	05610	0515-0367
MP29	0515-0367	1	SCREW-MACHINE ASSEMBLY M2.5 X 0.45	05610	0515-0367
MP30	0515-0367	1	SCREW-MACHINE ASSEMBLY M2.5 X 0.45	05610	0515-0367

HP Part Number 08564-60031
08564-60031 (continued)

Reference Designator	HP Part Number	Qty	Description	Mfr Code	Mfr Part Number
MP31	0515-0367	1	SCREW-MACHINE ASSEMBLY M2.5 X 0.45	05610	0515-0367
MP32	0515-0367	1	SCREW-MACHINE ASSEMBLY M2.5 X 0.45	05610	0515-0367
MP33	0515-0367	1	SCREW-MACHINE ASSEMBLY M2.5 X 0.45	05610	0515-0367
MP34	0515-0367	1	SCREW-MACHINE ASSEMBLY M2.5 X 0.45	05610	0515-0367
MP35	0515-0367	1	SCREW-MACHINE ASSEMBLY M2.5 X 0.45	05610	0515-0367
MP36	0515-0367	1	SCREW-MACHINE ASSEMBLY M2.5 X 0.45	05610	0515-0367
MP37	0515-0367	1	SCREW-MACHINE ASSEMBLY M2.5 X 0.45	05610	0515-0367
MP38	0515-0367	1	SCREW-MACHINE ASSEMBLY M2.5 X 0.45	05610	0515-0367
MP39	0515-0367	1	SCREW-MACHINE ASSEMBLY M2.5 X 0.45	05610	0515-0367
MP40	0515-0367	1	SCREW-MACHINE ASSEMBLY M2.5 X 0.45	05610	0515-0367
MP46	0515-1934	1	SCREW-MACHINE ASSEMBLY M2.5 X 0.45	05610	0515-1934
MP47	0515-1934	1	SCREW-MACHINE ASSEMBLY M2.5 X 0.45	05610	0515-1934
MP48	0515-1934	1	SCREW-MACHINE ASSEMBLY M2.5 X 0.45	05610	0515-1934
MP49	0515-1934	1	SCREW-MACHINE ASSEMBLY M2.5 X 0.45	05610	0515-1934
MP50	0340-0949	1	INSULATOR-XSTR THRM-CNDCT	05100	60-11-5791-1674
MP51	0340-0949	1	INSULATOR-XSTR THRM-CNDCT	05100	60-11-5791-1674
MP52	0340-0949	1	INSULATOR-XSTR THRM-CNDCT	05100	60-11-5791-1674
MP53	0340-0949	1	INSULATOR-XSTR THRM-CNDCT	05100	60-11-5791-1674
MP56	5001-8765	1	RGLTR HTSK INSUL	28480	5001-8765
MP57	0460-1242		TAPE-INDL .75-IN-W .062-IN-T POLYU-FM	04726	4016
MP58	0515-0367	1	SCREW-MACHINE ASSEMBLY M2.5 X 0.45	05610	0515-0367
MP59	0515-0367	1	SCREW-MACHINE ASSEMBLY M2.5 X 0.45	05610	0515-0367
MP60	5041-7282	1	B-INSUL TO-220	28480	5041-7282
MP61	5041-7282	1	B-INSUL TO-220	28480	5041-7282
MP62	0340-0949	1	INSULATOR-XSTR THRM-CNDCT	05100	60-11-5791-1674
MP63	0340-0949	1	INSULATOR-XSTR THRM-CNDCT	05100	60-11-5791-1674
MP64	08564-60030	1	BD AY-REGULATOR	28480	08564-60030
NONE	9222-1567	1	POUCH-STAT-DISS-SHLD POLYETH LAM ENV	00727	77 WS
Q102	1855-0916	1	TRANSISTOR MOSFET N-CHAN E-MODE TO-220AB	36633	MTP8N50E
Q103	1855-0606	1	TRANSISTOR MOSFET N-CHAN TO-220 SI	36633	MTP5N40E
Q104	1855-0606	1	TRANSISTOR MOSFET N-CHAN TO-220 SI	36633	MTP5N40E
Q201	1855-0607	1	TRANSISTOR MOSFET N-CHAN E-MODE TO-220	36633	MTP4N50E
Q310	1855-0694	1	TRANSISTOR MOSFET N-CHAN TO-220AB SI	03038	IRFZ44N
Q311	1855-0694	1	TRANSISTOR MOSFET N-CHAN TO-220AB SI	03038	IRFZ44N
Q312	1855-0694	1	TRANSISTOR MOSFET N-CHAN TO-220AB SI	03038	IRFZ44N

*Indicates factory-selected value

HP Part Number 08564-60031
08564-60031 (continued)

Reference Designator	HP Part Number	Qty	Description	Mfr Code	Mfr Part Number
Q313	1855-0694	1	TRANSISTOR MOSFET N-CHAN TO-220AB SI	03038	IRFZ44N
Q341	1855-0694	1	TRANSISTOR MOSFET N-CHAN TO-220AB SI	03038	IRFZ44N
Q342	1854-0809	1	TRANSISTOR NPN 2N2369A SI TO-18 PD=360MW	02910	2N2369
Q401	1855-0694	1	TRANSISTOR MOSFET N-CHAN TO-220AB SI	03038	IRFZ44N
R101	0757-0346	1	RESISTOR 10 +-1% .125W TF TC=0+-100	06424	NK4H.125W1%+/-100PPM10R0
R103	0757-0464	1	RESISTOR 90.9K +-1% .125W TF TC=0+-100	06424	NK4H.125W1%+/-100PPM9092
R104	0757-0464	1	RESISTOR 90.9K +-1% .125W TF TC=0+-100	06424	NK4H.125W1%+/-100PPM9092
R106	0764-0046	1	RESISTOR 33K +-5% 2W MO TC=0+-200	02499	GS-3-3302J
R107	0764-0046	1	RESISTOR 33K +-5% 2W MO TC=0+-200	02499	GS-3-3302J
R108	0698-3615	1	RESISTOR 47 +-5% 2W MO TC=0+-200	02499	GS-347R0
R110	0811-3692	1	RESISTOR 3.9 +-5% 5W PWI TC=0+-400	11248	MNS05N-3R9-J
R111	0698-3160	1	RESISTOR 31.6K +-1% .125W TF TC=0+-100	06424	NK4H.125W1%+/-100PPM3162
R112	0698-8812	1	RESISTOR 1 +-1% .125W TF TC=0+-100	05524	CMF-551R0FT-1
R113	0698-8812	1	RESISTOR 1 +-1% .125W TF TC=0+-100	05524	CMF-551R0FT-1
R115	0698-8812	1	RESISTOR 1 +-1% .125W TF TC=0+-100	05524	CMF-551R0FT-1
R116	0698-8812	1	RESISTOR 1 +-1% .125W TF TC=0+-100	05524	CMF-551R0FT-1
R117	0698-8812	1	RESISTOR 1 +-1% .125W TF TC=0+-100	05524	CMF-551R0FT-1
R119	0698-3454	1	RESISTOR 215K +-1% .125W TF TC=0+-100	06424	NK4H.125W1%+/-100PPM2153
R120	0698-3454	1	RESISTOR 215K +-1% .125W TF TC=0+-100	06424	NK4H.125W1%+/-100PPM2153
R121	0698-3160	1	RESISTOR 31.6K +-1% .125W TF TC=0+-100	06424	NK4H.125W1%+/-100PPM3162
R122	0698-3441	1	RESISTOR 215 +-1% .125W TF TC=0+-100	06424	NK4H.125W1%+/-100PPM215R0
R131	0757-0280	1	RESISTOR 1K +-1% .125W TF TC=0+-100	05524	CMF-551001FT-1
R132	0757-0394	1	RESISTOR 51.1 +-1% .125W TF TC=0+-100	05524	CMF-5551R1FT-1
R133	0698-3429	1	RESISTOR 19.6 +-1% .125W TF TC=0+-100	05524	CMF-5519R6FT-1
R134	0698-3401	1	RESISTOR 215 +-1% .5W TF TC=0+-100	01074	H2215FZ
R135	0698-7236	1	RESISTOR 1K +-1% .05W TF TC=0+-100	06424	NK3H.05W1%+/-100PPM1001
R136	0757-0280	1	RESISTOR 1K +-1% .125W TF TC=0+-100	05524	CMF-551001FT-1
R137	0698-3429	1	RESISTOR 19.6 +-1% .125W TF TC=0+-100	05524	CMF-5519R6FT-1
R201	0699-1231	1	RESISTOR 196K +-1% .2W TF TC=0+-100	28480	0699-1231
R202	0699-1231	1	RESISTOR 196K +-1% .2W TF TC=0+-100	28480	0699-1231
R203	0698-4777	1	RESISTOR 215K +-1% .25W TF TC=0+-100	05524	CMF-602153FT-1
R204	0698-4777	1	RESISTOR 215K +-1% .25W TF TC=0+-100	05524	CMF-602153FT-1
R205	0698-7236	1	RESISTOR 1K +-1% .05W TF TC=0+-100	06424	NK3H.05W1%+/-100PPM1001
R206	0698-7224	1	RESISTOR 316 +-1% .05W TF TC=0+-100	06424	NK3H.05W1%+/-100PPM316R0
R207	0698-7248	1	RESISTOR 3.16K +-1% .05W TF TC=0+-100	05524	CMF-503161FT-1

HP Part Number 08564-60031
08564-60031 (continued)

Reference Designator	HP Part Number	Qty	Description	Mfr Code	Mfr Part Number
R210	0757-0346	1	RESISTOR 10 +-1% .125W TF TC=0+-100	06424	NK4H.125W1%+/-100PPM10R0
R211	0757-0346	1	RESISTOR 10 +-1% .125W TF TC=0+-100	06424	NK4H.125W1%+/-100PPM10R0
R212	0757-0280	1	RESISTOR 1K +-1% .125W TF TC=0+-100	05524	CMF-551001FT-1
R213	0757-0420	1	RESISTOR 750 +-1% .125W TF TC=0+-100	05524	CMF-557500FT-1
R214	0698-8958	1	RESISTOR 511K +-1% .125W TF TC=0+-100	05524	CMF-555113FT-1
R215	0698-3160	1	RESISTOR 31.6K +-1% .125W TF TC=0+-100	06424	NK4H.125W1%+/-100PPM3162
R216	0757-0464	1	RESISTOR 90.9K +-1% .125W TF TC=0+-100	06424	NK4H.125W1%+/-100PPM9092
R217	0698-3456	1	RESISTOR 287K +-1% .125W TF TC=0+-100	05524	CMF-552873FT-1
R218	0757-0123	1	RESISTOR 34.8K +-1% .125W TF TC=0+-100	05524	CMF-553482FT-1
R219	0757-0199	1	RESISTOR 21.5K +-1% .125W TF TC=0+-100	06424	NK4H.125W1%+/-100PPM2152
R221	0757-0280	1	RESISTOR 1K +-1% .125W TF TC=0+-100	05524	CMF-551001FT-1
R224	0757-0458	1	RESISTOR 51.1K +-1% .125W TF TC=0+-100	06424	NK4H.125W1%+/-100PPM5112
R225	1810-0954	1	NET-RES 10 PIN SIP; 0.100 IN PIN SPACING	05524	MSP10A
R226	1810-0944	1	NET-RES SINGLE IN LINE PACKAGE; 0.100 IN	05524	MSP10A00-SXX
R227	1810-0279	1	NET-RES 9 4.7K OHM 10-PIN	05524	MSP10A01-472G
R301	0698-7260	1	RESISTOR 10K +-1% .05W TF TC=0+-100	06424	NK3H.05W1%+/-100PPM1002
R302	0698-7228	1	RESISTOR 464 +-1% .05W TF TC=0+-100	06424	NK3H.05W1%+/-100PPM464R0
R310	0811-3730	1	RESISTOR .07 +-3% 3W MFS TC=0+-90	05524	LVR-0R07%
R311	0811-3730	1	RESISTOR .07 +-3% 3W MFS TC=0+-90	05524	LVR-0R07%
R312	0811-3730	1	RESISTOR .07 +-3% 3W MFS TC=0+-90	05524	LVR-0R07%
R313	0811-3730	1	RESISTOR .07 +-3% 3W MFS TC=0+-90	05524	LVR-0R07%
R334	0698-3154	1	RESISTOR 4.22K +-1% .125W TF TC=0+-100	05524	CMF-554221FT-1
R335	0698-3439	1	RESISTOR 178 +-1% .125W TF TC=0+-100	05524	CMF-551780FT-1
R341	0811-2568	1	RESISTOR 1 +-1% 3W PWI TC=0+-50	05524	RS-2B 1 1%
R342	0698-6360	1	RESISTOR 10K +-0.1% .125W TF TC=0+-25	05524	CMF-551002BT-9
R343	0698-6625	1	RESISTOR 6K +-0.1% .125W TF TC=0+-25	05524	CMF-556001BT-9
R344	0698-6360	1	RESISTOR 10K +-0.1% .125W TF TC=0+-25	05524	CMF-551002BT-9
R345	0698-6625	1	RESISTOR 6K +-0.1% .125W TF TC=0+-25	05524	CMF-556001BT-9
R346	0757-0274	1	RESISTOR 1.21K +-1% .125W TF TC=0+-100	06424	NK4H.125W1%+/-100PPM1211
R347	0698-7269	1	RESISTOR 23.7K +-1% .05W TF TC=0+-100	06424	NK3H.05W1%+/-100PPM2372
R348	0698-7260	1	RESISTOR 10K +-1% .05W TF TC=0+-100	06424	NK3H.05W1%+/-100PPM1002
R349	0698-7212	1	RESISTOR 100 +-1% .05W TF TC=0+-100	06424	NK3H.05W1%+/-100PPM100R0
R350	0698-7246	1	RESISTOR 2.61K +-1% .05W TF TC=0+-100	06424	NK3H.05W1%+/-100PPM2611
R351	0698-7248	1	RESISTOR 3.16K +-1% .05W TF TC=0+-100	05524	CMF-503161FT-1
R352	0698-7188	1	RESISTOR 10 +-1% .05W TF TC=0+-100	06424	NK3H.05W1%+/-100PPM10R0

*Indicates factory-selected value

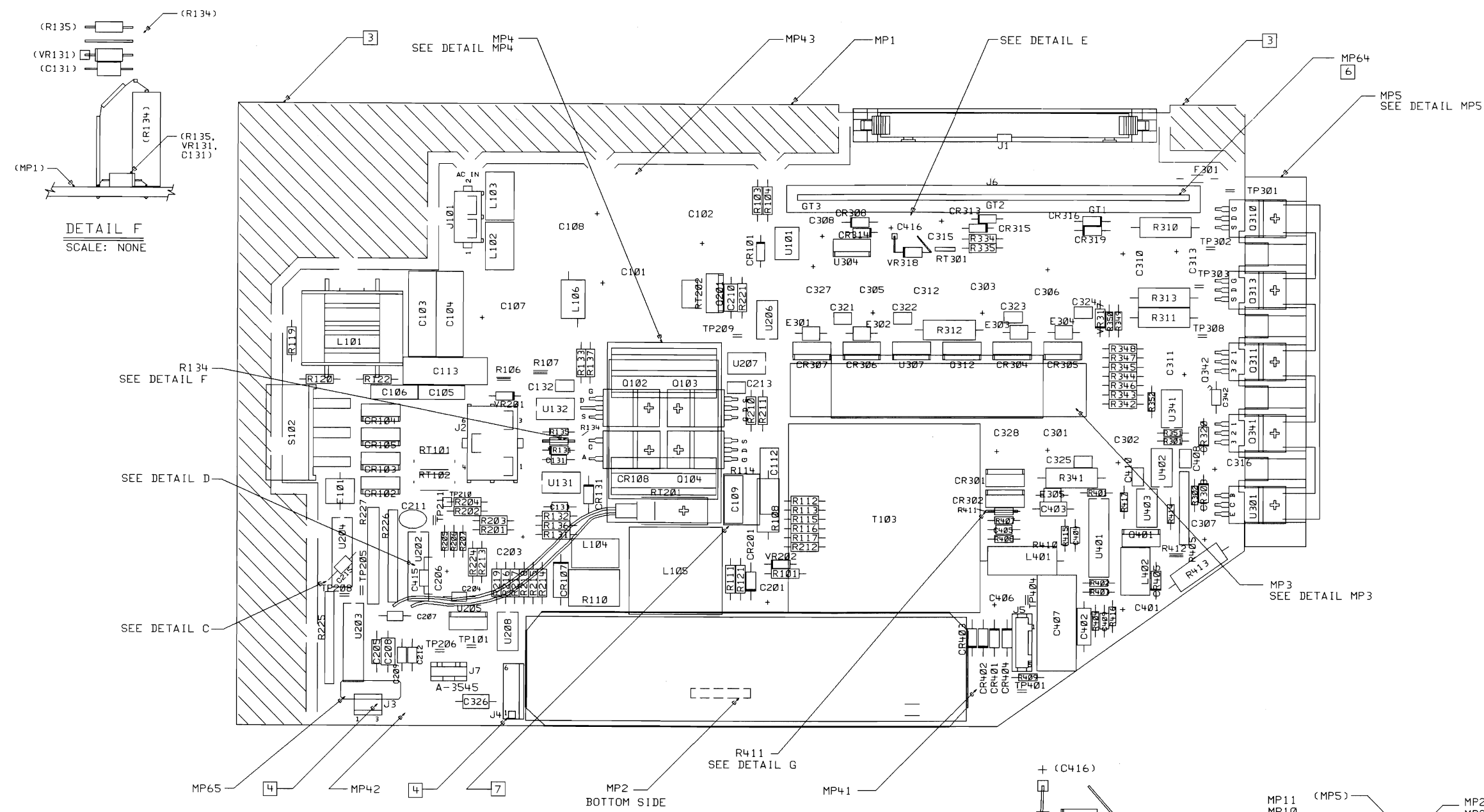
HP Part Number 08564-60031
08564-60031 (continued)

Reference Designator	HP Part Number	Qty	Description	Mfr Code	Mfr Part Number
R401	0698-7222	1	RESISTOR 261 +-1% .05W TF TC=0+-100	06424	NK3H.05W1%+/-100PPM261R0
R402	0698-7243	1	RESISTOR 1.96K +-1% .05W TF TC=0+-100	06424	NK3H.05W1%+/-100PPM1961
R403	0698-7236	1	RESISTOR 1K +-1% .05W TF TC=0+-100	06424	NK3H.05W1%+/-100PPM1001
R404	0698-7260	1	RESISTOR 10K +-1% .05W TF TC=0+-100	06424	NK3H.05W1%+/-100PPM1002
R405	1810-0945	1	NET-RES 5 5.11K OHM 8-PIN MULTI-VAL	02483	064-572-042
R407	0698-7247	1	RESISTOR 2.87K +-1% .05W TF TC=0+-100	05524	CMF-502871FT-1
R408	0698-7260	1	RESISTOR 10K +-1% .05W TF TC=0+-100	06424	NK3H.05W1%+/-100PPM1002
R409	0698-7253	1	RESISTOR 5.11K +-1% .05W TF TC=0+-100	06424	NK3H.05W1%+/-100PPM5111
R410	2100-4183	1	RESISTOR-TRMR 1K 10% TKF TOP-ADJ 1-TRN	03744	3329H-EG9-102
R411	0757-0342	1	RESISTOR 100K +-1% .25W TF TC=0+-100	05524	CMF-601003FT-1
R412	0698-3601	1	RESISTOR 10 +-5% 2W MO TC=0+-200	05524	FP69 10R0 5%
R413	0812-0021	1	RESISTOR .47 +-5% 3W PWI TC=0+-90	02499	T2B-9-0R47-5%
R414	0698-7227	1	RESISTOR 422 +-1% .05W TF TC=0+-100	06424	NK3H.05W1%+/-100PPM422R0
R415	0698-7225	1	RESISTOR 348 +-1% .05W TF TC=0+-100	06424	NK3H.05W1%+/-100PPM348R0
R416	0698-7253	1	RESISTOR 5.11K +-1% .05W TF TC=0+-100	06424	NK3H.05W1%+/-100PPM5111
R417	0698-7260	1	RESISTOR 10K +-1% .05W TF TC=0+-100	06424	NK3H.05W1%+/-100PPM1002
RT101	0837-0287	1	THERMISTOR-SURGE PTCTR 5 OHM AT 25 DEG C	24810	SG80
RT102	0837-0287	1	THERMISTOR-SURGE PTCTR 5 OHM AT 25 DEG C	24810	SG80
RT201	0837-0260	1	THERMISTOR-SWITCHING RESISTANCE: 100	12830	SLP0436
RT202	0837-3720	1	THERMISTOR-SWITCHING PTC; RESISTANCE AT	10015	195Q80115
RT301	0837-0050	1	THERMISTOR DISC 1K-OHM TC=-4.4%/C-DEG	02761	KA31J1
S102	3101-2608	1	SWITCH-SL DPDT STD 5A 250VAC PC	05959	4021.4721
T103	9100-5251	1	XFMR-PWR	03973	9100-5251
TP101	1460-2201	1	SPRING RADIAL TEST POINT	12646	1460-2201
TP205	1460-2201	1	SPRING RADIAL TEST POINT	12646	1460-2201
TP206	1460-2201	1	SPRING RADIAL TEST POINT	12646	1460-2201
TP208	1460-2201	1	SPRING RADIAL TEST POINT	12646	1460-2201
TP209	1460-2201	1	SPRING RADIAL TEST POINT	12646	1460-2201
TP211	1460-2201	1	SPRING RADIAL TEST POINT	12646	1460-2201
TP301	1460-2201	1	SPRING RADIAL TEST POINT	12646	1460-2201
TP302	1460-2201	1	SPRING RADIAL TEST POINT	12646	1460-2201
TP303	1460-2201	1	SPRING RADIAL TEST POINT	12646	1460-2201
TP308	1460-2201	1	SPRING RADIAL TEST POINT	12646	1460-2201
TP401	1460-2201	1	SPRING RADIAL TEST POINT	12646	1460-2201
TP404	1460-2201	1	SPRING RADIAL TEST POINT	12646	1460-2201

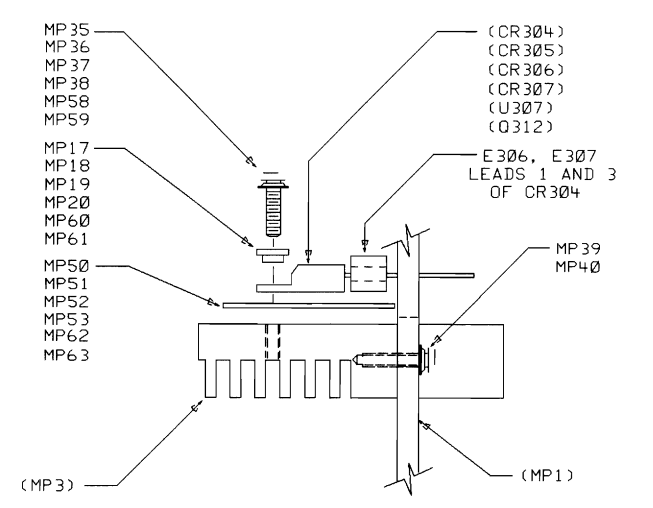
HP Part Number 08564-60031
08564-60031 (continued)

Reference Designator	HP Part Number	Qty	Description	Mfr Code	Mfr Part Number
U101	1990-1074	1	OPTO-ISOLATOR LED-PXSTR IF=60MA-MAX	12601	4N35
U131	1990-0429	1	OPTO-ISOLATOR LED-IC GATE IF=10MA-MAX	28480	1990-0429
U132	1820-4032	1	IC-INTERFACE DRVR CMOS PERIPHERAL HIGH	11302	TSC426CPA
U202	1826-0138	1	IC COMPARATOR GP QUAD 14 PIN DIP-P	03406	LM339N
U203	LTB1826-0806KI	1		28480	LTB1826-0806KI
U204	1820-1112	1	IC FF TTL/LS D-TYPE POS-EDGE-TRIG	01698	SN74LS74AN
U205	1826-0122	1	IC PWR MGT-V-REG-FXD-POS 4.8/5.2V TO-220	03406	LM340T-5
U206	1990-0429	1	OPTO-ISOLATOR LED-IC GATE IF=10MA-MAX	28480	1990-0429
U207	1820-4032	1	IC-INTERFACE DRVR CMOS PERIPHERAL HIGH	11302	TSC426CPA
U208	1826-0412	1	IC COMPARATOR PRCN DUAL 8 PIN DIP-P	03406	LM393N
U301	1826-0393	1	IC PWR MGT-V-REG-ADJ-POS 1.2/37V 3 PINS	03406	LM317T
U304	1826-0221	1	IC PWR MGT-V-REG-FXD-NEG -11.5/-12.5V	00039	1826-0221
U307	1826-0393	1	IC PWR MGT-V-REG-ADJ-POS 1.2/37V 3 PINS	03406	LM317T
U341	1826-0521	1	IC OP AMP LOW-BIAS-H-IMPED DUAL 8 PIN	01698	TL072CP
U401	LTB1826-0806KI	1		28480	LTB1826-0806KI
U402	1826-0412	1	IC COMPARATOR PRCN DUAL 8 PIN DIP-P	03406	LM393N
U403	1820-4032	1	IC-INTERFACE DRVR CMOS PERIPHERAL HIGH	11302	TSC426CPA
VR131	1902-0951	1	DIODE-ZNR 5.1V 5% DO-35 PD=.4W TC=+.035%	36633	SZ30035-9RL
VR201	1902-0962	1	DIODE-ZNR 15V 5% DO-35 PD=.4W TC=+.087%	02688	1N965B
VR202	1902-0964	1	DIODE-ZNR 18V 5% DO-35 PD=.4W TC=+.09%	02688	1N967B
VR317	1902-0084	1	DIODE-ZNR 6.8V 5% PD=1W IR=10UA	02688	1N4736A
VR318	1902-0084	1	DIODE-ZNR 6.8V 5% PD=1W IR=10UA	02688	1N4736A
VR319	1902-1259	1	DIODE-ZNR 1N5357B 20V 5% PD=5W IR=500NA	02688	1902-1259

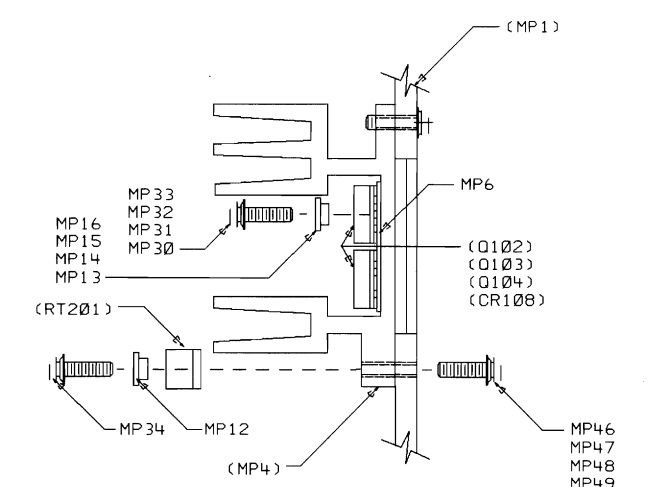
*Indicates factory-selected value



DETAIL F
SCALE: NONE

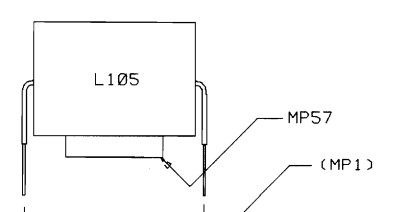


MP3 DETAIL
SCALE: NONE

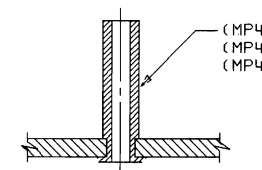


MP4 DETAIL
SCALE: NONE

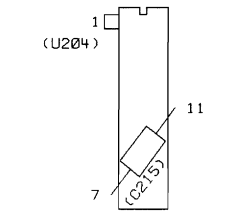
- NOTES: UNLESS OTHERWISE SPECIFIED.
1. USES RAW BOARD 08564-20008.
 2. MAXIMUM LEAD TRIM LENGTH .12
 3. REMOVE TABS AFTER WAVE SOLDER
 4. ASSURE THAT THE FOLLOWING PINS HAVE BEEN REMOVED, J3 PIN 3, J4 PIN 2, PRIOR TO ASSEMBLY AND WAVE SOLDER.
 5. TEST POINTS NOT ON MATERIAL LIST ARE SHOWN FOR REFERENCE ONLY.
 6. MP64 PLUGS INTO J6.
 7. R114 AND C112 ARE NOT LOADED.
 8. SEE SHEET 2 OF ASSEMBLY FOR DETAIL H, ON LOADING OF VR319.



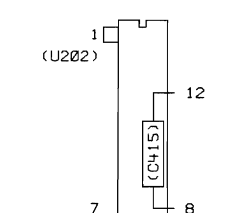
DETAIL A
SCALE: NONE



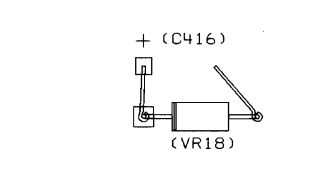
DETAIL B
SCALE: NONE



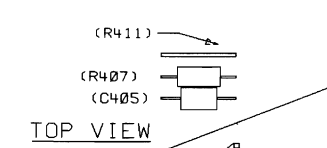
DETAIL C
SCALE: NONE



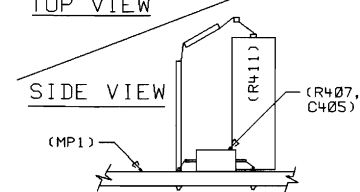
DETAIL D
SCALE: NONE



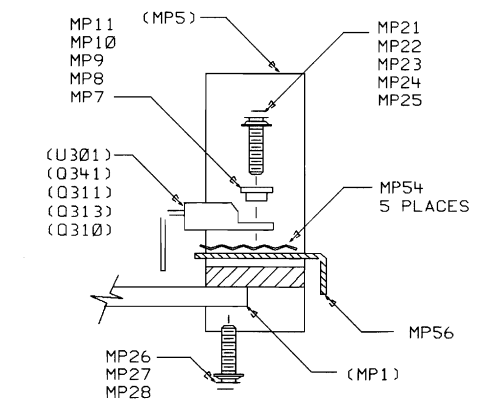
DETAIL E
SCALE: NONE



DETAIL G
SCALE: NONE



SIDE VIEW
SCALE: NONE



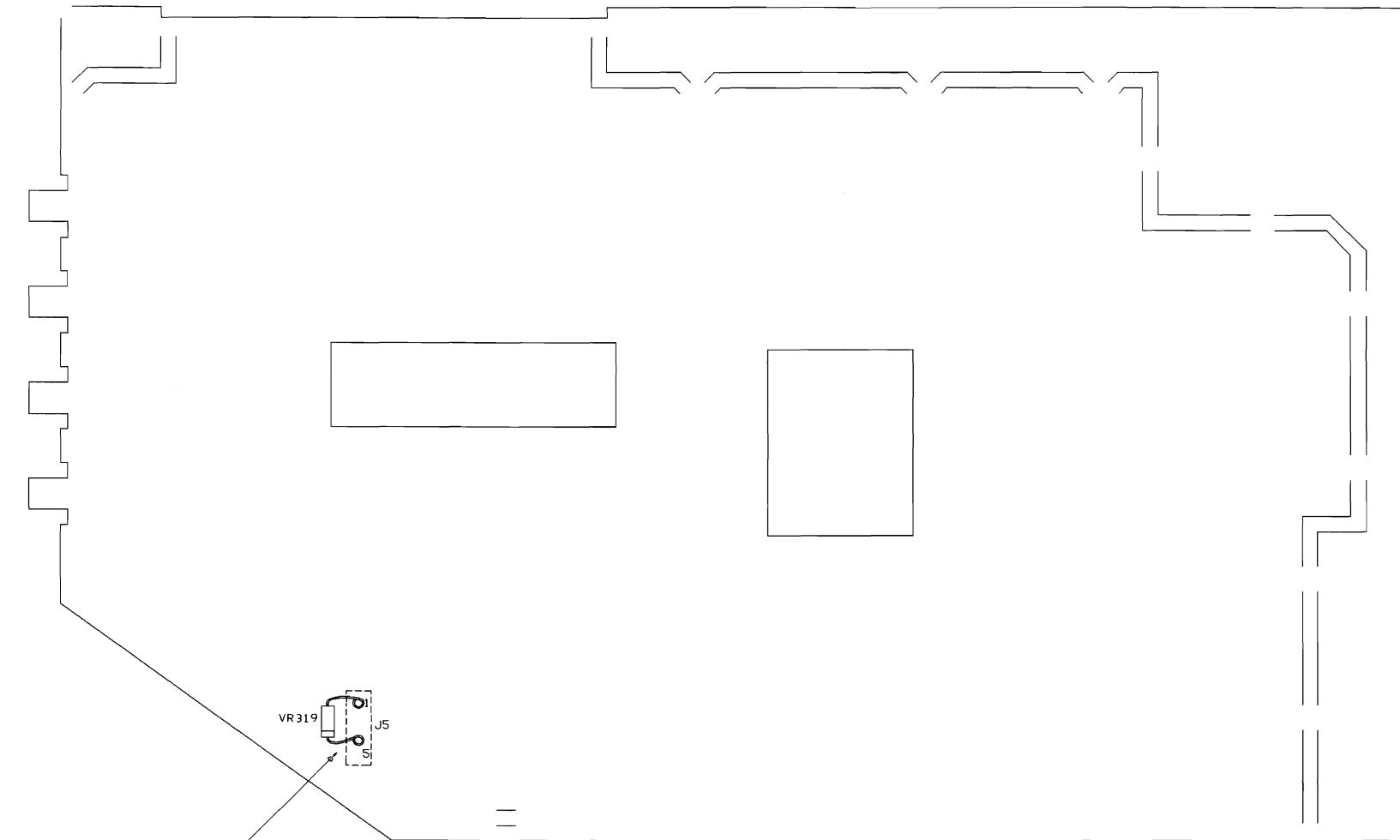
MP5 DETAIL
SCALE: NONE

TOP SIDE

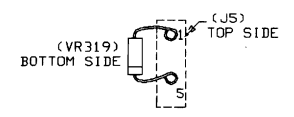
SEE 08564-60028 MATERIAL LIST

<p>AGILENT TECHNOLOGIES RESTRICTED</p> <p>THIS DOCUMENT CONTAINS CONFIDENTIAL, PROPRIETARY INFORMATION THAT IS AGILENT TECHNOLOGIES PROPERTY. DO NOT DISCLOSE TO OR DUPLICATE FOR OTHERS EXCEPT AS AUTHORIZED BY AGILENT TECHNOLOGIES.</p>		<p>UNLESS OTHERWISE SPECIFIED, DIMENSIONS ARE IN INCHES.</p> <p>TOLERANCES: XX.XXX ±.010 XX.XX ±.02</p> <p>THIRD ANGLE PROJECTION</p> <p>DO NOT SCALE THIS DRAWING</p>	<table border="1"> <tr> <td>DRAWN BY</td> <td>DATE</td> </tr> <tr> <td>ENGINEER/CHECKER</td> <td>DATE</td> </tr> <tr> <td>RELEASE TO PROD.</td> <td>DATE</td> </tr> <tr> <td>SUPERSEDES DWG.</td> <td></td> </tr> </table>	DRAWN BY	DATE	ENGINEER/CHECKER	DATE	RELEASE TO PROD.	DATE	SUPERSEDES DWG.		<p>ASSEMBLY, PWB</p> <p>POWER SUPPLY</p> <p>TITLE</p>	<table border="1"> <tr> <td>alaby031</td> <td>FILENAME</td> </tr> <tr> <td>NONE</td> <td>SCALE</td> </tr> <tr> <td>1 2</td> <td>SHEET</td> </tr> <tr> <td>08564-60031</td> <td>PART NUMBER</td> </tr> <tr> <td>D-08564-60031-2</td> <td></td> </tr> </table>	alaby031	FILENAME	NONE	SCALE	1 2	SHEET	08564-60031	PART NUMBER	D-08564-60031-2	
DRAWN BY	DATE																						
ENGINEER/CHECKER	DATE																						
RELEASE TO PROD.	DATE																						
SUPERSEDES DWG.																							
alaby031	FILENAME																						
NONE	SCALE																						
1 2	SHEET																						
08564-60031	PART NUMBER																						
D-08564-60031-2																							

S300		D-08564-60031-2	
SYM	REVISIONS	APPROVED	DATE
A	AS ISSUED PER PCO 53-12828		



8 SEE DETAIL H

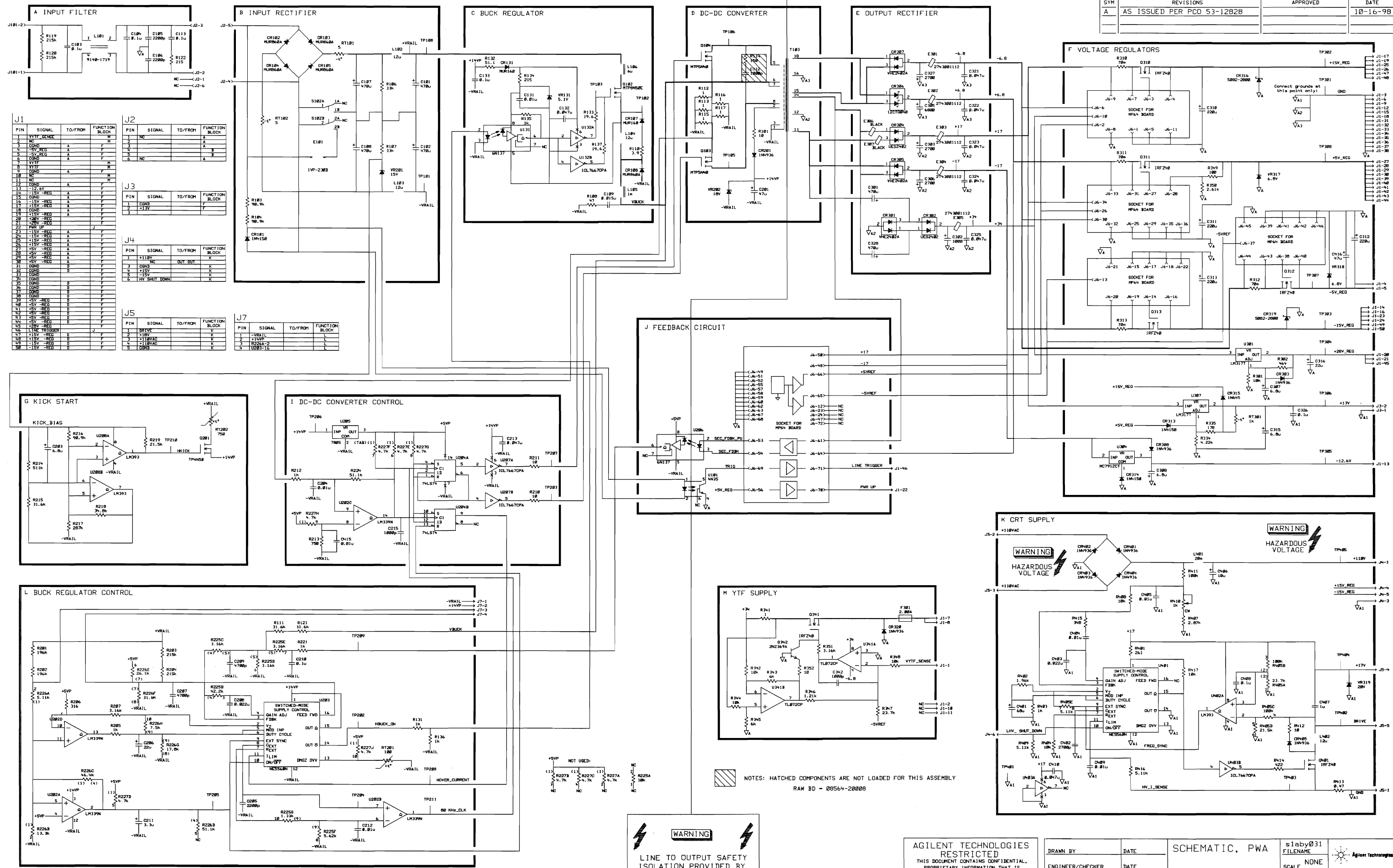


DETAIL H
SCALE: NONE
BOTTOM SIDE VIEW

BOTTOM SIDE

AGILENT TECHNOLOGIES RESTRICTED THIS DOCUMENT CONTAINS CONFIDENTIAL, PROPRIETARY INFORMATION THAT IS AGILENT TECHNOLOGIES PROPERTY. DO NOT DISCLOSE TO OR DUPLICATE FOR OTHERS EXCEPT AS AUTHORIZED BY AGILENT TECHNOLOGIES.	UNLESS OTHERWISE SPECIFIED, DIMENSIONS ARE IN INCHES.	DRAWN BY _____ DATE _____	ASSEMBLY, PWB POWER SUPPLY TITLE _____	FILENAME a6aby031
	TOLERANCES: XX.XXX ±.010 XX.XX ±.02	ENGINEER/CHECKER _____ DATE _____		SCALE NONE
	THIRD ANGLE PROJECTION	RELEASE TO PROD. _____ DATE _____		SHEET 2 OF 2
	DO NOT SCALE THIS DRAWING	SUPERSEDES DWG. _____		PART NUMBER 08564-60031

FILENAME a6aby031	
SCALE NONE	
SHEET 2 OF 2	PART NUMBER 08564-60031
D-08564-60031-2	



PIN	SIGNAL	TO/FROM	FUNCTION BLOCK
1	VYF SENSE	A	M
2	NC		
3	COND	A	A
4	-5V_REG	A	F
5	-5V_REG	A	F
6	COND	A	F
7	VYF	A	M
8	COND	A	F
9	COND	A	F
10	COND	A	F
11	COND	A	F
12	COND	A	F
13	-12V	A	F
14	-15V_REG	A	F
15	-15V_REG	A	F
16	-15V_REG	A	F
17	-15V_REG	A	F
18	COND	A	F
19	-15V_REG	A	F
20	-28V_REG	A	F
21	-28V_REG	A	F
22	COND	A	F
23	COND	A	F
24	-15V_REG	A	F
25	-15V_REG	A	F
26	-15V_REG	A	F
27	-15V_REG	A	F
28	-15V_REG	A	F
29	-15V_REG	A	F
30	-15V_REG	A	F
31	COND	A	F
32	COND	A	F
33	COND	A	F
34	COND	A	F
35	COND	A	F
36	COND	A	F
37	-5V_REG	D	F
38	-5V_REG	D	F
39	-5V_REG	D	F
40	-5V_REG	D	F
41	-5V_REG	D	F
42	-5V_REG	D	F
43	-5V_REG	D	F
44	-5V_REG	D	F
45	-5V_REG	D	F
46	LINE THROTTLE	J	F
47	+15V	K	F
48	+15V_REG	K	F
49	+15V_REG	K	F
50	+15V_REG	K	F

WARNING
 LINE TO OUTPUT SAFETY ISOLATION PROVIDED BY T103, U101, U206, C105 AND C106

AGILENT TECHNOLOGIES RESTRICTED
 THIS DOCUMENT CONTAINS CONFIDENTIAL, PROPRIETARY INFORMATION THAT IS AGILENT TECHNOLOGIES PROPERTY. DO NOT DISCLOSE TO OR DUPLICATE FOR OTHERS EXCEPT AS AUTHORIZED BY AGILENT TECHNOLOGIES.

DRAWN BY	DATE	SCHEMATIC, PWA	s1aby031 FILENAME
ENGINEER/CHECKER	DATE		
RELEASE TO PROD.	DATE	POWER SUPPLY	SCALE NONE
SUPERSEDES DWG.	DATE	TITLE	SHEET 1 OF 1 PART NUMBER 08564-60031-1

Component-Level Information Packet for 08564-60030

Power Supply Regulator



**HP Part No. 08564-90034
Printed in USA May 2000**

Notice. The information contained in this document is subject to change without notice.

Hewlett-Packard makes no warranty of any kind with regard to this material, including, but not limited to, the implied warranties of merchantability and fitness for a particular purpose. Hewlett-Packard shall not be liable for errors contained herein or for incidental or consequential damages in connection with the furnishing, performance, or use of this material.

©Copyright Hewlett-Packard Company 1990, 1991, 1992, 1993, 1994, 1995, 1996
All Rights Reserved. Reproduction, adaptation, or translation without prior written permission is prohibited, except as allowed under the copyright laws.

**HP Part Number 08564-60030
Power Supply Regulator**

Reference Designator	HP Part Number	Qty	Description	Mfr Code	Mfr Part Number
C101	0160-6222	1	CAP-FXD 0.1uF +-10% 50 V CER X7R	02010	12105C104KAT A
C102	0160-6098	1	CAP-FXD 680pF +-5% 50 V CER C0G	02010	12065A681JAT A
C103	0160-6104	1	CAP-FXD 2200pF +-5% 50 V CER C0G	02010	12065A222JATRA
C104	0160-6736	1	CAP-FXD 0.01uF +-10% 50 V CER X7R	02010	12065C103KAT A
C105	0160-6222	1	CAP-FXD 0.1uF +-10% 50 V CER X7R	02010	12105C104KAT A
C106	0160-6222	1	CAP-FXD 0.1uF +-10% 50 V CER X7R	02010	12105C104KAT A
C107	0160-6100	1	CAP-FXD 1000pF +-5% 50 V CER C0G	02010	12065A102JAT A
C108	0180-3751	1	CAP-FXD 1uF +-20% 35 V TA	02010	TAJB105M035
C201	0160-6736	1	CAP-FXD 0.01uF +-10% 50 V CER X7R	02010	12065C103KAT A
C202	0160-6736	1	CAP-FXD 0.01uF +-10% 50 V CER X7R	02010	12065C103KAT A
C203	0160-6736	1	CAP-FXD 0.01uF +-10% 50 V CER X7R	02010	12065C103KAT A
C204	0160-6100	1	CAP-FXD 1000pF +-5% 50 V CER C0G	02010	12065A102JAT A
C205	0160-7387	1	CAP-FXD 200pF +-5% 50 V CER C0G	06352	C2012C0G1H201JT
C301	0160-6222	1	CAP-FXD 0.1uF +-10% 50 V CER X7R	02010	12105C104KAT A
C305	0160-6736	1	CAP-FXD 0.01uF +-10% 50 V CER X7R	02010	12065C103KAT A
C306	0160-6736	1	CAP-FXD 0.01uF +-10% 50 V CER X7R	02010	12065C103KAT A
C307	0180-3751	1	CAP-FXD 1uF +-20% 35 V TA	02010	TAJB105M035
C401	0160-6736	1	CAP-FXD 0.01uF +-10% 50 V CER X7R	02010	12065C103KAT A
C402	0160-6736	1	CAP-FXD 0.01uF +-10% 50 V CER X7R	02010	12065C103KAT A
C403	0160-6736	1	CAP-FXD 0.01uF +-10% 50 V CER X7R	02010	12065C103KAT A
C404	0160-6100	1	CAP-FXD 1000pF +-5% 50 V CER C0G	02010	12065A102JAT A
C405	0160-7387	1	CAP-FXD 200pF +-5% 50 V CER C0G	06352	C2012C0G1H201JT
C501	0160-6222	1	CAP-FXD 0.1uF +-10% 50 V CER X7R	02010	12105C104KAT A
C505	0160-6736	1	CAP-FXD 0.01uF +-10% 50 V CER X7R	02010	12065C103KAT A
C506	0160-6736	1	CAP-FXD 0.01uF +-10% 50 V CER X7R	02010	12065C103KAT A
C507	0180-3751	1	CAP-FXD 1uF +-20% 35 V TA	02010	TAJB105M035
C510	0160-4511	1	CAP-FXD 220pF +-5% 200 V CER C0G	06352	FD12C0G2D221J
C520	0160-4511	1	CAP-FXD 220pF +-5% 200 V CER C0G	06352	FD12C0G2D221J
CR201	1901-1227	1	DIODE-SWITCHING 75V 200MA 6NS TO-236	02910	BAS16
CR301	1901-1227	1	DIODE-SWITCHING 75V 200MA 6NS TO-236	02910	BAS16
CR401	1901-1227	1	DIODE-SWITCHING 75V 200MA 6NS TO-236	02910	BAS16
CR501	1901-1227	1	DIODE-SWITCHING 75V 200MA 6NS TO-236	02910	BAS16
R101	0699-1431	1	RESISTOR 464 +-1% .125W TKF TC=0+-100	05524	CRCW12064640F
R102	0699-1431	1	RESISTOR 464 +-1% .125W TKF TC=0+-100	05524	CRCW12064640F
R103	0699-1391	1	RESISTOR 10K +-1% .125W TKF TC=0+-100	05524	CRCW12061002F

*Indicates factory-selected value

CLIP 08564-90034 1

HP Part Number 08564-60030
Power Supply Regulator (continued)

Reference Designator	HP Part Number	Qty	Description	Mfr Code	Mfr Part Number
R104	0699-2823	1	RESISTOR 8K +0.1% .125W TF TC=0+-25	02499	W1206R038001BT
R105	0699-2823	1	RESISTOR 8K +0.1% .125W TF TC=0+-25	02499	W1206R038001BT
R106	0699-1387	1	RESISTOR 6.81K +-1% .125W TKF TC=0+-100	05524	CRCW12066811F
R107	0699-2846	1	RESISTOR 5K +0.1% .125W TF TC=0+-25	02499	W1206R035001BT
R108	0699-1456	1	RESISTOR 562K +-1% .125W TKF TC=0+-100	09891	RK73H2BT5623F
R109	0699-1344	1	RESISTOR 10 +-1% .125W TKF TC=0+-100	09891	RK73H2BT10R0F
R110	0699-1430	1	RESISTOR 422 +-1% .125W TKF TC=0+-100	05524	CRCW12064220F
R111	0699-1385	1	RESISTOR 5.11K +-1% .125W TKF TC=0+-100	05524	CRCW12065111F
R112	0699-1318	1	RESISTOR 1K +-1% .125W TKF TC=0+-100	00746	MCR18-F-1001
R113	0699-1408	1	RESISTOR 51.1K +-1% .125W TKF TC=0+-100	05524	CRCW12065112F
R114	0699-1327	1	RESISTOR 1M +-1% .125W TKF TC=0+-100	09891	RK73H2BT1004F
R115	0699-1398	1	RESISTOR 21.5K +-1% .125W TKF TC=0+-100	05524	CRCW12062152F
R116	0699-1318	1	RESISTOR 1K +-1% .125W TKF TC=0+-100	00746	MCR18-F-1001
R117	0699-1407	1	RESISTOR 46.4K +-1% .125W TKF TC=0+-100	05524	CRCW12064642F
R118	0699-1414	1	RESISTOR 90.9K +-1% .125W TKF TC=0+-100	09891	RK73H2BT9092F
R119	0699-1381	1	RESISTOR 3.48K +-1% .125W TKF TC=0+-100	05524	CRCW12063481F
R120	0699-1372	1	RESISTOR 1.47K +-1% .125W TKF TC=0+-100	00746	MCR18-F-1471
R121	0699-1394	1	RESISTOR 14.7K +-1% .125W TKF TC=0+-100	09891	RK73H2BT1472F
R122	0699-1385	1	RESISTOR 5.11K +-1% .125W TKF TC=0+-100	05524	CRCW12065111F
R123	0699-1318	1	RESISTOR 1K +-1% .125W TKF TC=0+-100	00746	MCR18-F-1001
R201	0699-1376	1	RESISTOR 2.15K +-1% .125W TKF TC=0+-100	09891	RK73H2BT2151F
R202	0699-1376	1	RESISTOR 2.15K +-1% .125W TKF TC=0+-100	09891	RK73H2BT2151F
R203	0699-1407	1	RESISTOR 46.4K +-1% .125W TKF TC=0+-100	05524	CRCW12064642F
R204	0699-1318	1	RESISTOR 1K +-1% .125W TKF TC=0+-100	00746	MCR18-F-1001
R205	0699-1445	1	RESISTOR 215K +-1% .125W TKF TC=0+-100	05524	CRCW12062153F
R206	0699-1318	1	RESISTOR 1K +-1% .125W TKF TC=0+-100	00746	MCR18-F-1001
R207	0699-1398	1	RESISTOR 21.5K +-1% .125W TKF TC=0+-100	05524	CRCW12062152F
R208	0699-2823	1	RESISTOR 8K +0.1% .125W TF TC=0+-25	02499	W1206R038001BT
R209	0699-2483	1	RESISTOR 4K +0.1% .125W TF TC=0+-25	02499	W1206R034001BT
R210	0699-1415	1	RESISTOR 100 +-1% .125W TKF TC=0+-100	05524	CRCW12061000F
R301	0699-1415	1	RESISTOR 100 +-1% .125W TKF TC=0+-100	05524	CRCW12061000F
R302	0699-1378	1	RESISTOR 2.61K +-1% .125W TKF TC=0+-100	09891	RK73H2BT2611F
R304	0699-1444	1	RESISTOR 178K +-1% .125W TKF TC=0+-100	05524	CRCW12061783F
R305	0699-2823	1	RESISTOR 8K +0.1% .125W TF TC=0+-25	02499	W1206R038001BT
R306	0699-2483	1	RESISTOR 4K +0.1% .125W TF TC=0+-25	02499	W1206R034001BT

HP Part Number 08564-60030
Power Supply Regulator (continued)

Reference Designator	HP Part Number	Qty	Description	Mfr Code	Mfr Part Number
R307	0699-1440	1	RESISTOR 121K +-1% .125W TKF TC=0+-100	05524	CRCW12061213F
R308	0699-1443	1	RESISTOR 147K +-1% .125W TKF TC=0+-100	09891	RK73H2BT1473F
R309	0699-1415	1	RESISTOR 100 +-1% .125W TKF TC=0+-100	05524	CRCW12061000F
R310	0699-1443	1	RESISTOR 147K +-1% .125W TKF TC=0+-100	09891	RK73H2BT1473F
R311	0699-1376	1	RESISTOR 2.15K +-1% .125W TKF TC=0+-100	09891	RK73H2BT2151F
R312	0699-1376	1	RESISTOR 2.15K +-1% .125W TKF TC=0+-100	09891	RK73H2BT2151F
R313	0699-1413	1	RESISTOR 82.5K +-1% .125W TKF TC=0+-100	09891	RK73H2BT8252F
R314	0699-1440	1	RESISTOR 121K +-1% .125W TKF TC=0+-100	05524	CRCW12061213F
R315	0699-1344	1	RESISTOR 10 +-1% .125W TKF TC=0+-100	09891	RK73H2BT10R0F
R401	0699-1376	1	RESISTOR 2.15K +-1% .125W TKF TC=0+-100	09891	RK73H2BT2151F
R402	0699-1376	1	RESISTOR 2.15K +-1% .125W TKF TC=0+-100	09891	RK73H2BT2151F
R403	0699-1407	1	RESISTOR 46.4K +-1% .125W TKF TC=0+-100	05524	CRCW12064642F
R404	0699-1318	1	RESISTOR 1K +-1% .125W TKF TC=0+-100	00746	MCR18-F-1001
R405	0699-1319	1	RESISTOR 12.1K +-1% .125W TKF TC=0+-100	09891	RK73H2BT1212F
R406	0699-1318	1	RESISTOR 1K +-1% .125W TKF TC=0+-100	00746	MCR18-F-1001
R407	0699-1386	1	RESISTOR 5.62K +-1% .125W TKF TC=0+-100	09891	RK73H2BT5621F
R408	0699-1378	1	RESISTOR 2.61K +-1% .125W TKF TC=0+-100	09891	RK73H2BT2611F
R410	0699-1415	1	RESISTOR 100 +-1% .125W TKF TC=0+-100	05524	CRCW12061000F
R501	0699-1420	1	RESISTOR 162 +-1% .125W TKF TC=0+-100	00746	MCR18-F-1620
R502	0699-1378	1	RESISTOR 2.61K +-1% .125W TKF TC=0+-100	09891	RK73H2BT2611F
R504	0699-1412	1	RESISTOR 75K +-1% .125W TKF TC=0+-100	00746	MCR18-F-7502
R505	0699-1379	1	RESISTOR 2.87K +-1% .125W TKF TC=0+-100	00746	MCR18-F-2871
R507	0699-1445	1	RESISTOR 215K +-1% .125W TKF TC=0+-100	05524	CRCW12062153F
R508	0699-1408	1	RESISTOR 51.1K +-1% .125W TKF TC=0+-100	05524	CRCW12065112F
R509	0699-1415	1	RESISTOR 100 +-1% .125W TKF TC=0+-100	05524	CRCW12061000F
R510	0699-1408	1	RESISTOR 51.1K +-1% .125W TKF TC=0+-100	05524	CRCW12065112F
R511	0699-1376	1	RESISTOR 2.15K +-1% .125W TKF TC=0+-100	09891	RK73H2BT2151F
R512	0699-1376	1	RESISTOR 2.15K +-1% .125W TKF TC=0+-100	09891	RK73H2BT2151F
R513	0699-1443	1	RESISTOR 147K +-1% .125W TKF TC=0+-100	09891	RK73H2BT1473F
R514	0699-1440	1	RESISTOR 121K +-1% .125W TKF TC=0+-100	05524	CRCW12061213F
R515	0699-1344	1	RESISTOR 10 +-1% .125W TKF TC=0+-100	09891	RK73H2BT10R0F
U101	1826-1622	1	IC OP AMP LOW-BIAS-H-IMPD QUAD 14 PIN	01698	TL074CD
U102	1826-1594	1	IC COMPARATOR GP SINGLE 8 PIN PLSTC-SOIC	03406	LM311M
U103	1826-1572	1	IC COMPARATOR PRCN DUAL 8 PIN PLSTC-SOIC	02910	LM393D
U104	1826-1838	1	IC PWR MGT-V-REF-FXD 4.95/5.05V 8 PINS	10858	LT1021DCS8-5

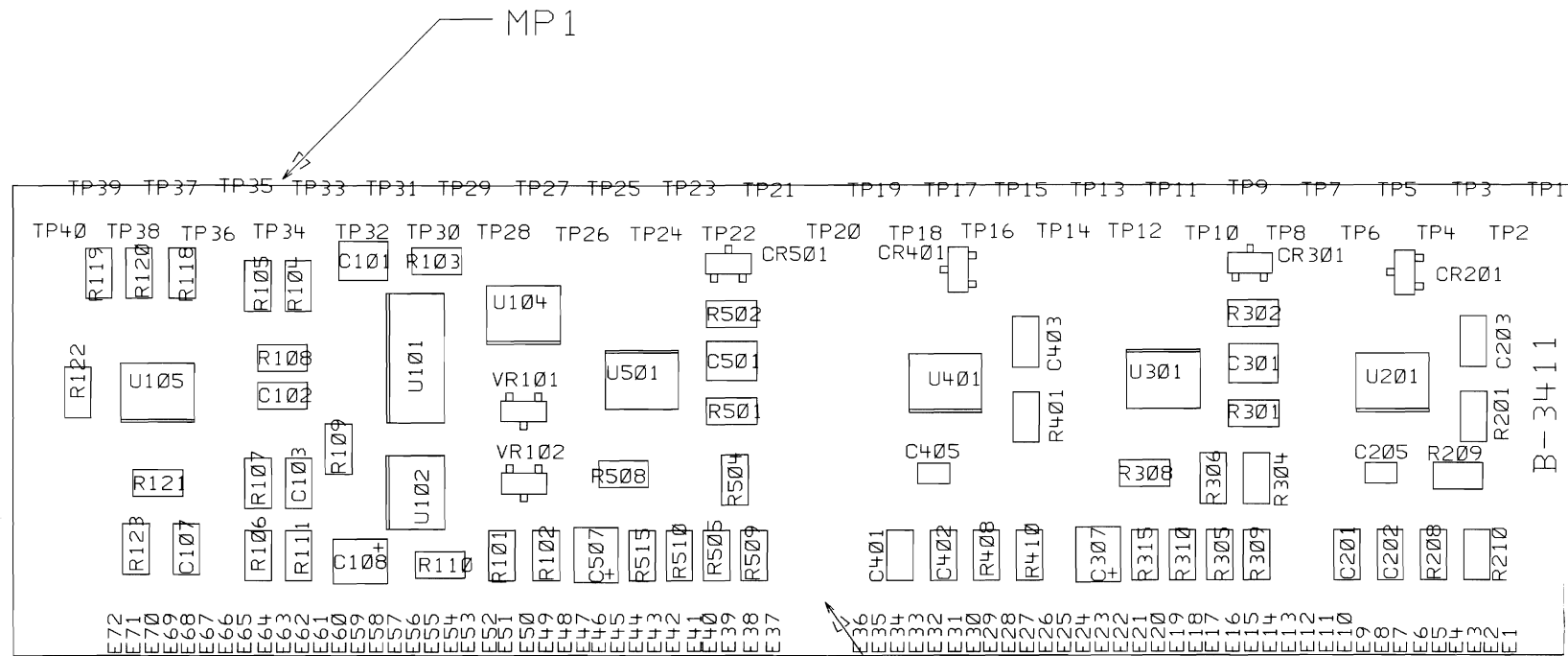
*Indicates factory-selected value

CLIP 08564-90034 3

**HP Part Number 08564-60030
Power Supply Regulator (continued)**

Reference Designator	HP Part Number	Qty	Description	Mfr Code	Mfr Part Number
U105	1826-1572	1	IC COMPARATOR PRCN DUAL 8 PIN PLSTC-SOIC	02910	LM393D
U201	1826-1912	1	IC OP AMP H-SLEW-RATE DUAL 8 PIN	36633	MC34072DR2
U301	1826-1912	1	IC OP AMP H-SLEW-RATE DUAL 8 PIN	36633	MC34072DR2
U401	1826-1912	1	IC OP AMP H-SLEW-RATE DUAL 8 PIN	36633	MC34072DR2
U501	1826-1912	1	IC OP AMP H-SLEW-RATE DUAL 8 PIN	36633	MC34072DR2
VR101	1902-1600	1	DIODE-ZNR 13V 5% TO-236 (SOT-23) PD=.25W	02910	BZX84-C13V
VR102	1902-1600	1	DIODE-ZNR 13V 5% TO-236 (SOT-23) PD=.25W	02910	BZX84-C13V
VR201	1902-1567	1	DIODE-ZNR 6.2V 5% TO-236 (SOT-23)	36633	MMBZ5234BLT1
VR301	1902-1567	1	DIODE-ZNR 6.2V 5% TO-236 (SOT-23)	36633	MMBZ5234BLT1
VR401	1902-1563	1	DIODE-ZNR 2.7V 2% TO-236 (SOT-23)	02910	BZX84-B2V7
VR501	1902-1563	1	DIODE-ZNR 2.7V 2% TO-236 (SOT-23)	02910	BZX84-B2V7

SYM	REVISIONS	APPROVED	DATE
A	AS ISSUED PER PCO 53-12001	P. MELMAN/	02-17-98



BARCODE LOCATION

NOTE: UNLESS OTHERWISE SPECIFIED

1. SEE 08564-60030 MATERIAL LIST.
2. USE RAWBOARD NO. 08564-20009.

TOP SIDE

**AGILENT TECHNOLOGIES
RESTRICTED**
THIS DOCUMENT CONTAINS CONFIDENTIAL,
PROPRIETARY INFORMATION THAT IS
AGILENT TECHNOLOGIES PROPERTY. DO NOT
DISCLOSE TO OR DUPLICATE FOR OTHERS EXCEPT
AS AUTHORIZED BY AGILENT TECHNOLOGIES.

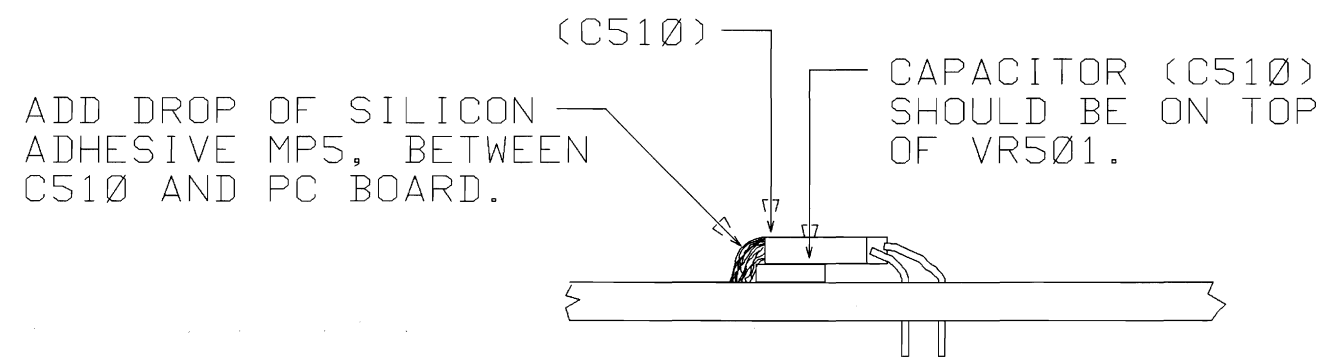
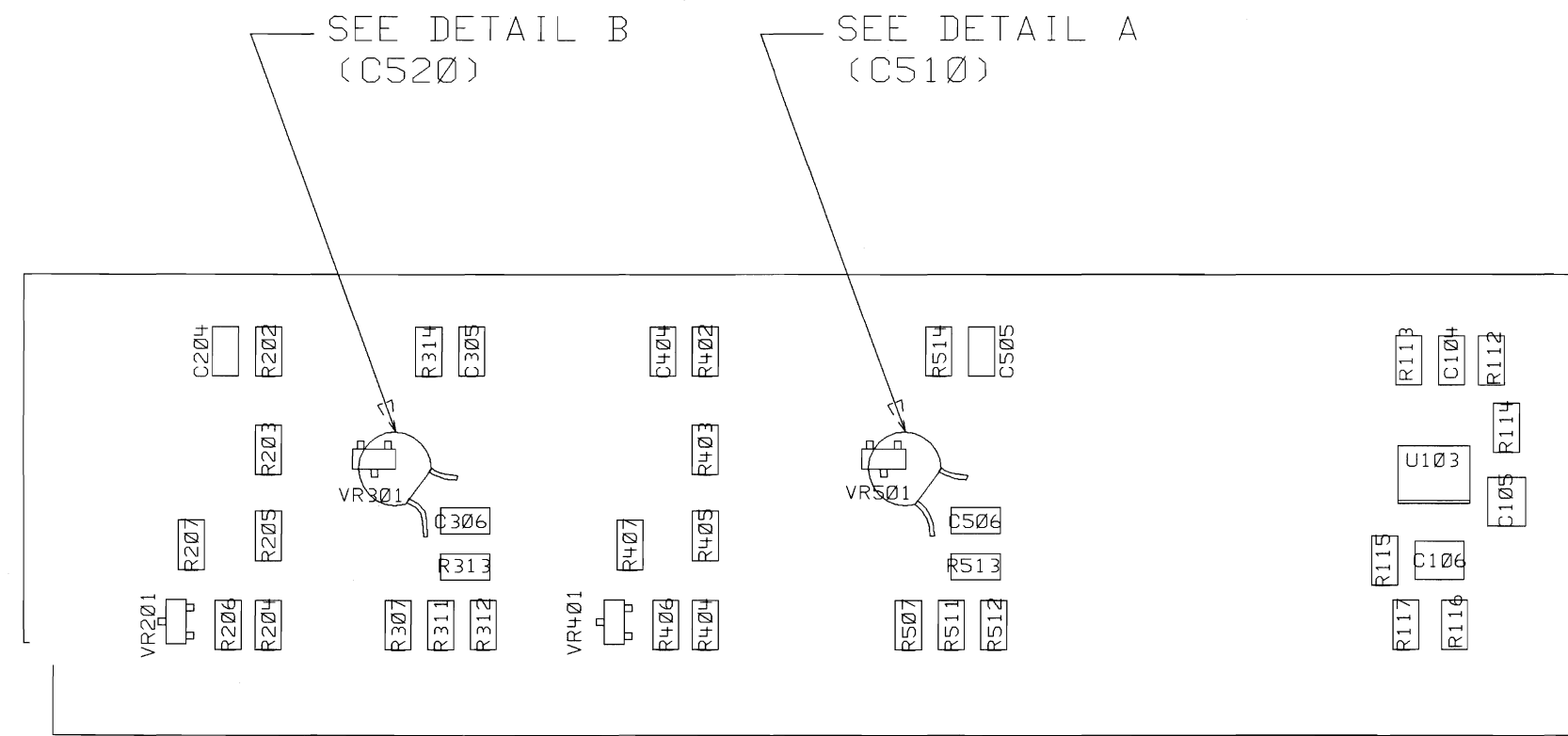
UNLESS OTHERWISE SPECIFIED,
DIMENSIONS ARE IN INCHES.
TOLERANCES: XX.XXX ±.010
 XX.XX ±.02
THIRD ANGLE
PROJECTION
DO NOT SCALE THIS DRAWING

G. HUDSON DRAWN BY	02-17-98 DATE
P. MELMAN ENGINEER/CHECKER	02-17-98 DATE
PHIL MELMAN RELEASE TO PROD.	02-17-98 DATE
SUPERSEDES DWG.	

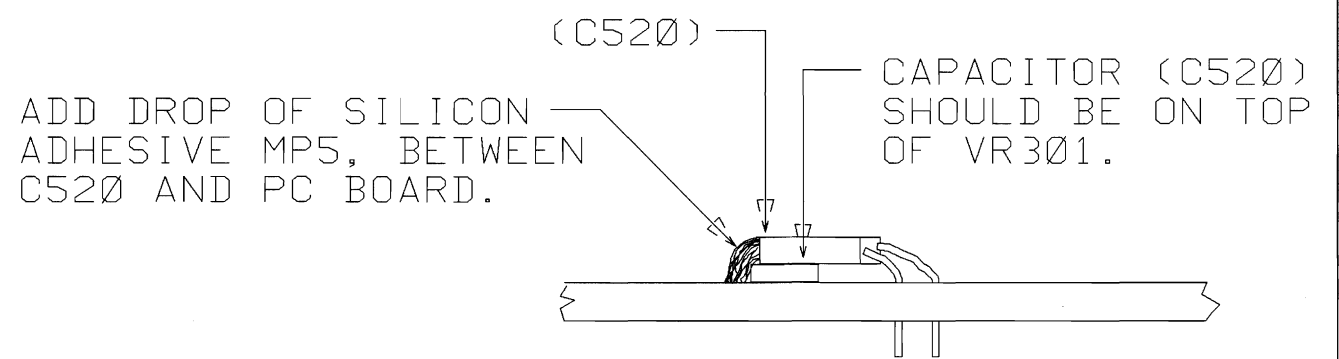
ASSEMBLY, PWB
REGULATORS
TITLE

alaby030 FILENAME	Agilent Technologies
SCALE NONE	
SHEET 1 OF 2	08564-60030 PART NUMBER
C-08564-60030-2	

5300		C-08564-60030-2	
SYM	REVISIONS	APPROVED	DATE
A	AS ISSUED PER PCO 53-12001	P. MELMAN/	02-17-98



DETAIL A
SCALE : NONE

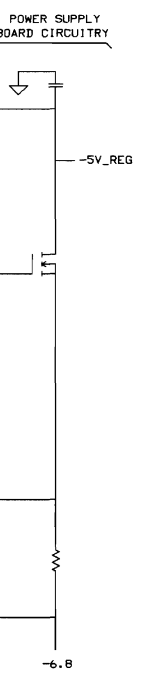
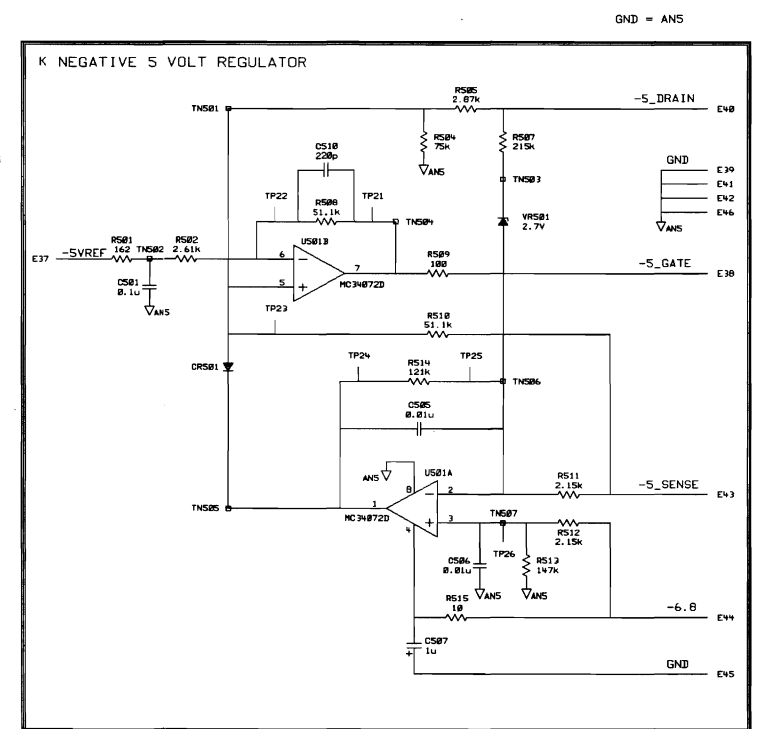
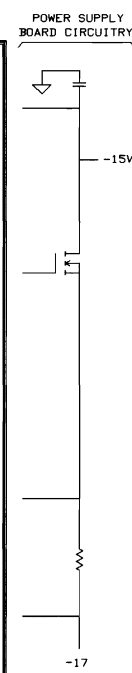
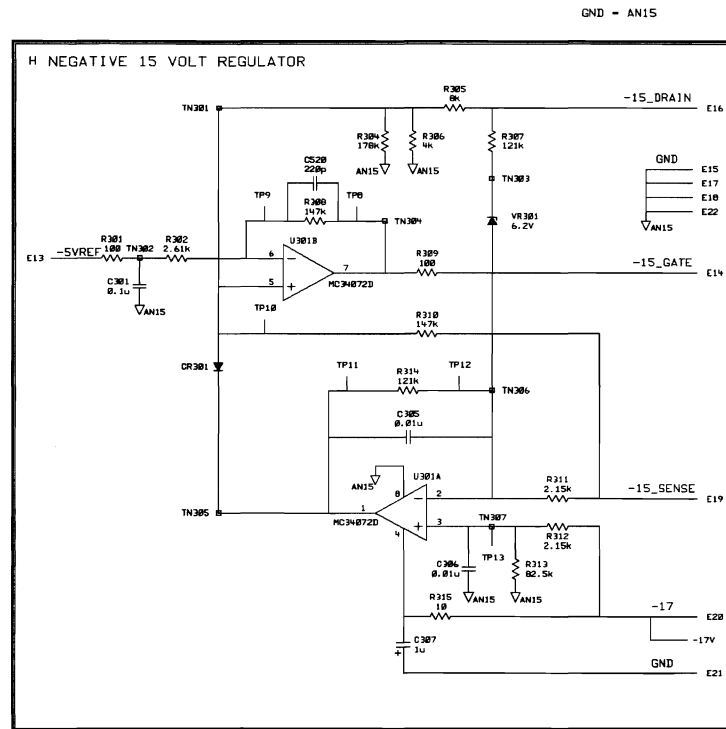
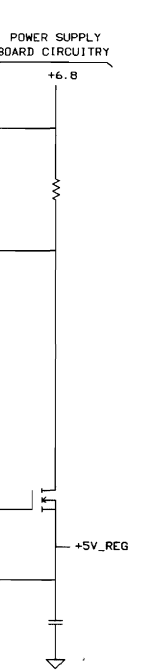
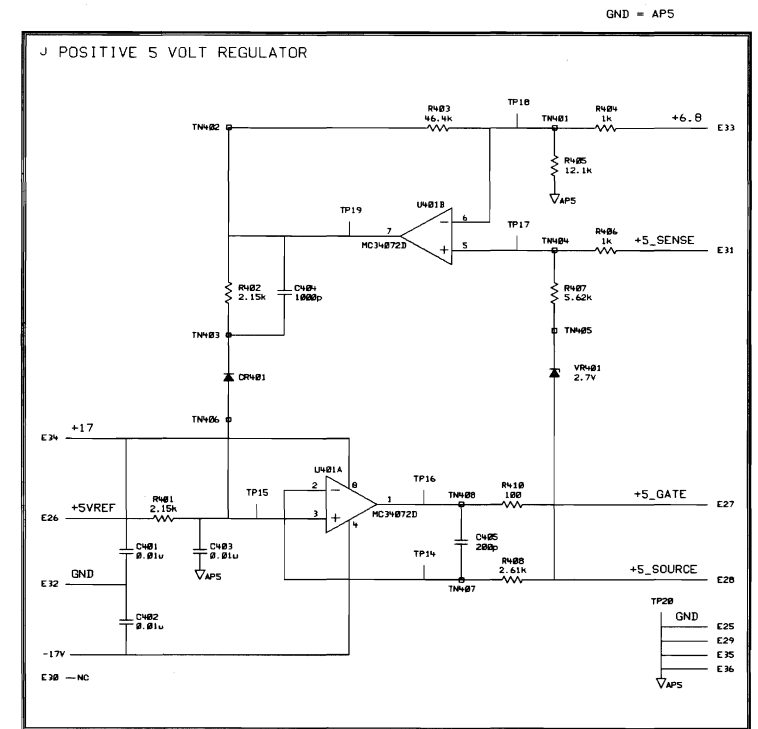
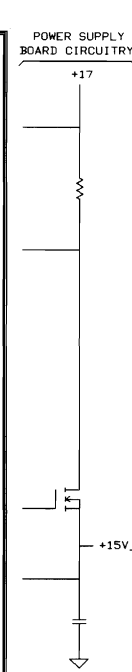
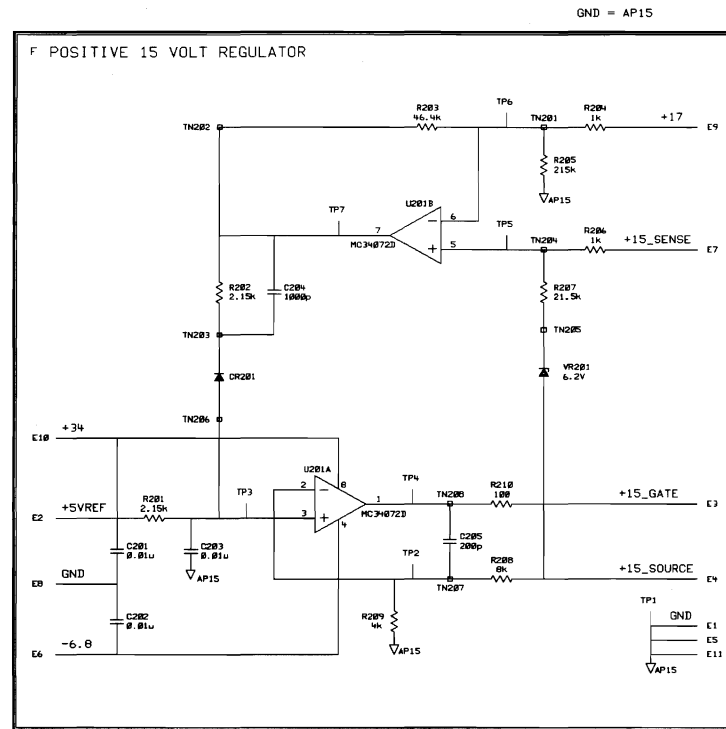
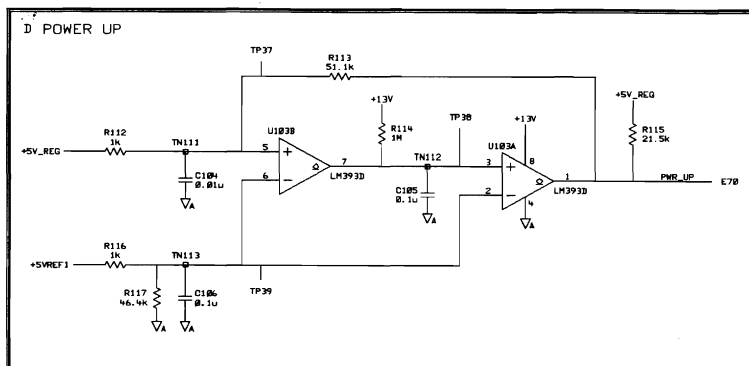
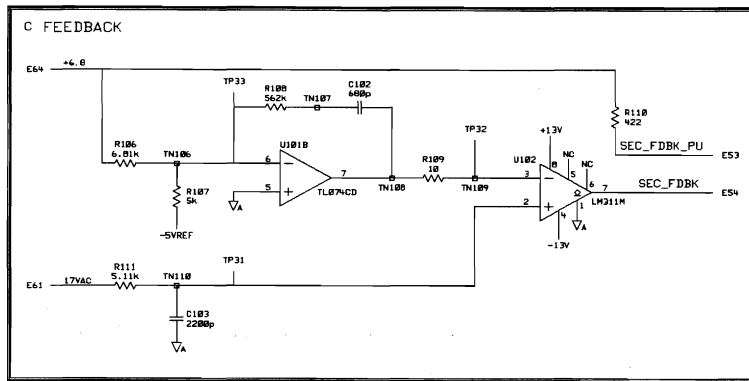
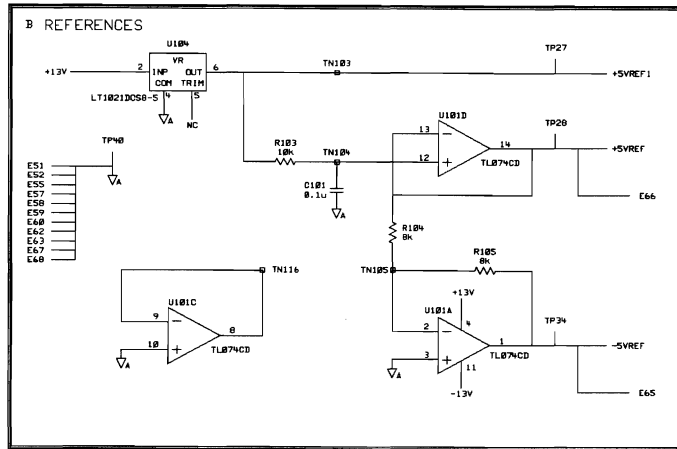
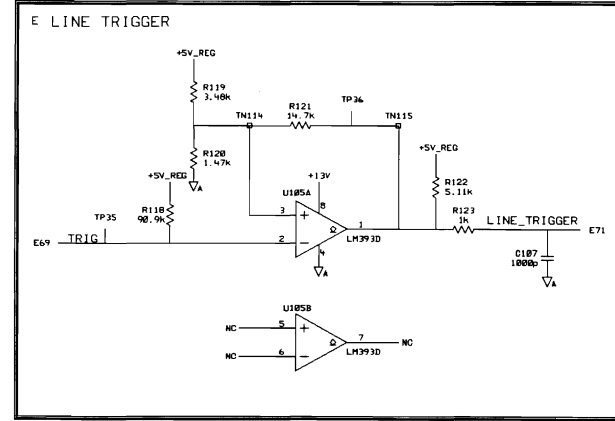
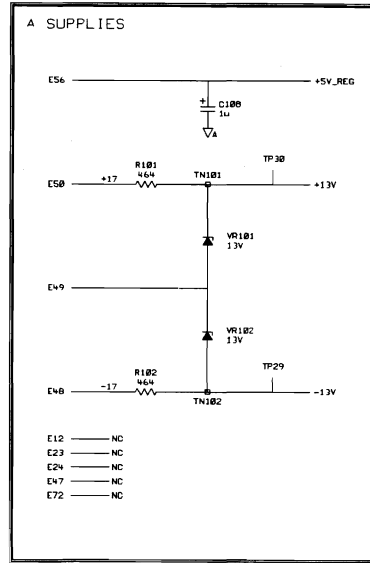


DETAIL B
SCALE : NONE

BOTTOM SIDE

AGILENT TECHNOLOGIES RESTRICTED THIS DOCUMENT CONTAINS CONFIDENTIAL, PROPRIETARY INFORMATION THAT IS AGILENT TECHNOLOGIES PROPERTY. DO NOT DISCLOSE TO OR DUPLICATE FOR OTHERS EXCEPT AS AUTHORIZED BY AGILENT CORPORATION.	UNLESS OTHERWISE SPECIFIED, DIMENSIONS ARE IN INCHES. TOLERANCES: XX.XXX ±.010 XX.XX ±.02	G. HUDSON DRAWN BY P. MELMAN ENGINEER/CHECKER PHIL MELMAN RELEASE TO PROD.	02-17-98 DATE 02-17-98 DATE 02-17-98 DATE	ASSEMBLY, PWB REGULATORS TITLE	a6aby030 FILENAME NONE SCALE	
	THIRD ANGLE PROJECTION DO NOT SCALE THIS DRAWING	SUPERSEDES DWG.	SHEET 2 OF 2 08564-60030 PART NUMBER		C-08564-60030-2	

S300	AB3411	08564-60030-1	
SYM	REVISIONS	APPROVED	DATE
A	AS ISSUED PER PCO 53-12001		02-17-98



NOTE: E1 THROUGH E72 MATE WITH PINS 1 THROUGH 72, RESPECTIVELY ON THE POWER SUPPLY SIMM CONNECTOR.

RAW BOARD = 08564-20009

AGILENT TECHNOLOGIES
RESTRICTED
THIS DOCUMENT CONTAINS CONFIDENTIAL,
PROPRIETARY INFORMATION THAT IS
AGILENT TECHNOLOGIES PROPERTY. DO NOT
DISCLOSE TO OR DUPLICATE FOR OTHERS EXCEPT
AS AUTHORIZED BY AGILENT TECHNOLOGIES.

DRAWN BY	DATE
ENGINEER/CHECKER	DATE
RELEASE TO PROD.	DATE
SUPERSEDES DWG.	

SHEMATIC, PWA
REGULATORS

FILENAME	SCALE	SHEET	OF	DATE
s1aby030	NONE	1	1	08564-60030
PART NUMBER				08564-60030-1

Component-Level Information Packet for 08561-60055

Frequency Control



**HP Part No. 08563-90080
Printed in USA June 2000**

Notice. The information contained in this document is subject to change without notice.

Hewlett-Packard makes no warranty of any kind with regard to this material, including, but not limited to, the implied warranties of merchantability and fitness for a particular purpose. Hewlett-Packard shall not be liable for errors contained herein or for incidental or consequential damages in connection with the furnishing, performance, or use of this material.

**HP Part Number 08561-60055
Frequency Control**

Reference Designator	HP Part Number	Qty	Description	Mfr Code	Mfr Part Number
C1	0180-3922	1	CAP-FXD 15uF +20% 20 V TA	00039	NRD156M20R12
C2	0160-6107	1	CAP-FXD 3900pF +5% 50 V CER C0G	02010	12105A392JAT A
C3	0160-6736	1	CAP-FXD 0.01uF +-10% 50 V CER X7R	02010	12065C103KAT A
C5	0180-4287	1	CAP-FXD 10uF +20% 35 V TA	02010	TAJD106M035
C6	0160-5957	1	CAP-FXD 47pF +5% 50 V CER C0G	02010	08055A470JAT A
C7	0180-4287	1	CAP-FXD 10uF +20% 35 V TA	02010	TAJD106M035
C8	0180-4228	1	CAP-FXD 47uF +20% 10 V TA	02010	TAJD476M010
C9	0160-5967	1	CAP-FXD 100pF +5% 50 V CER C0G	06352	C2012COG1H101J
C10	0160-6736	1	CAP-FXD 0.01uF +-10% 50 V CER X7R	02010	12065C103KAT A
C11	0160-6736	1	CAP-FXD 0.01uF +-10% 50 V CER X7R	02010	12065C103KAT A
C12	0160-6736	1	CAP-FXD 0.01uF +-10% 50 V CER X7R	02010	12065C103KAT A
C13	0160-6120	1	CAP-FXD 0.01uF +5% 50 V CER X7R	02010	12061C103JAT A
C14	0160-3402	1	CAP-FXD 1uF +5% 50 V POLYC-MET	05176	HEW-249-1UF+/-5%50V
C16	0160-6100	1	CAP-FXD 1000pF +5% 50 V CER C0G	02010	12065A102JAT A
C17	0160-6222	1	CAP-FXD 0.1uF +-10% 50 V CER X7R	02010	12105C104KAT A
C18	0160-6222	1	CAP-FXD 0.1uF +-10% 50 V CER X7R	02010	12105C104KAT A
C20	0160-6222	1	CAP-FXD 0.1uF +-10% 50 V CER X7R	02010	12105C104KAT A
C21	0160-6222	1	CAP-FXD 0.1uF +-10% 50 V CER X7R	02010	12105C104KAT A
C22	0160-6222	1	CAP-FXD 0.1uF +-10% 50 V CER X7R	02010	12105C104KAT A
C23	0160-6222	1	CAP-FXD 0.1uF +-10% 50 V CER X7R	02010	12105C104KAT A
C25	0160-6100	1	CAP-FXD 1000pF +5% 50 V CER C0G	02010	12065A102JAT A
C27	0160-6222	1	CAP-FXD 0.1uF +-10% 50 V CER X7R	02010	12105C104KAT A
C28	0160-6735	1	CAP-FXD 4700pF +-10% 50 V CER X7R	02010	12065C472KAT A
C30	0180-4287	1	CAP-FXD 10uF +20% 35 V TA	02010	TAJD106M035
C31	0160-6102	1	CAP-FXD 1500pF +5% 50 V CER C0G	02010	12065A152JATRA
C32	0160-6734	1	CAP-FXD 0.047uF +-10% 50 V CER X7R	02010	12065C473KAT A
C33	0160-6734	1	CAP-FXD 0.047uF +-10% 50 V CER X7R	02010	12065C473KAT A
C34	0160-6100	1	CAP-FXD 1000pF +5% 50 V CER C0G	02010	12065A102JAT A
C35	0180-3749	1	CAP-FXD 0.22uF +20% 35 V TA	00039	NRA224M35R8
C37	0180-4228	1	CAP-FXD 47uF +20% 10 V TA	02010	TAJD476M010
C38	0160-6096	1	CAP-FXD 470pF +5% 50 V CER C0G	02010	12065A471JAT A
C39	0160-6096	1	CAP-FXD 470pF +5% 50 V CER C0G	02010	12065A471JAT A
C40	0160-6736	1	CAP-FXD 0.01uF +-10% 50 V CER X7R	02010	12065C103KAT A
C41	0180-3751	1	CAP-FXD 1uF +20% 35 V TA	02010	TAJB105M035
C42	0180-3831	1	CAP-FXD 10uF +-10% 35 V TA	12340	T398G106K035AS

**Indicates factory-selected value*

CLIP 08563-90080 1

Scans by ArtekMedia => 2009

HP Part Number 08561-60055
Frequency Control (continued)

Reference Designator	HP Part Number	Qty	Description	Mfr Code	Mfr Part Number
C43	0160-6736	1	CAP-FXD 0.01uF +-10% 50 V CER X7R	02010	12065C103KAT A
C44	0160-6736	1	CAP-FXD 0.01uF +-10% 50 V CER X7R	02010	12065C103KAT A
C45	0160-6736	1	CAP-FXD 0.01uF +-10% 50 V CER X7R	02010	12065C103KAT A
C46	0160-6736	1	CAP-FXD 0.01uF +-10% 50 V CER X7R	02010	12065C103KAT A
C47	0160-6736	1	CAP-FXD 0.01uF +-10% 50 V CER X7R	02010	12065C103KAT A
C48	0160-6736	1	CAP-FXD 0.01uF +-10% 50 V CER X7R	02010	12065C103KAT A
C49	0160-6736	1	CAP-FXD 0.01uF +-10% 50 V CER X7R	02010	12065C103KAT A
C50	0160-6736	1	CAP-FXD 0.01uF +-10% 50 V CER X7R	02010	12065C103KAT A
C51	0160-6736	1	CAP-FXD 0.01uF +-10% 50 V CER X7R	02010	12065C103KAT A
C52	0160-6222	1	CAP-FXD 0.1uF +-10% 50 V CER X7R	02010	12105C104KAT A
C53	0160-6736	1	CAP-FXD 0.01uF +-10% 50 V CER X7R	02010	12065C103KAT A
C54	0160-6100	1	CAP-FXD 1000pF +-5% 50 V CER C0G	02010	12065A102JAT A
C55	0160-6736	1	CAP-FXD 0.01uF +-10% 50 V CER X7R	02010	12065C103KAT A
C56	0160-6736	1	CAP-FXD 0.01uF +-10% 50 V CER X7R	02010	12065C103KAT A
C57	0160-6736	1	CAP-FXD 0.01uF +-10% 50 V CER X7R	02010	12065C103KAT A
C58	0160-6736	1	CAP-FXD 0.01uF +-10% 50 V CER X7R	02010	12065C103KAT A
C59	0160-6736	1	CAP-FXD 0.01uF +-10% 50 V CER X7R	02010	12065C103KAT A
C62	0160-5967	1	CAP-FXD 100pF +-5% 50 V CER C0G	06352	C2012COG1H101J
C63	0160-5967	1	CAP-FXD 100pF +-5% 50 V CER C0G	06352	C2012COG1H101J
C64	0160-6736	1	CAP-FXD 0.01uF +-10% 50 V CER X7R	02010	12065C103KAT A
C66	0160-5975	1	CAP-FXD 10pF +-5% 50 V CER C0G	02010	08055A100JAT A
C70	0160-6736	1	CAP-FXD 0.01uF +-10% 50 V CER X7R	02010	12065C103KAT A
C71	0160-6736	1	CAP-FXD 0.01uF +-10% 50 V CER X7R	02010	12065C103KAT A
C80	0160-7333	1	CAP-FXD 0.068uF +-10% 50 V CER X7R	06352	C3216X7R1H683KT
C81	0180-4116	1	CAP-FXD 22uF +-20% 20 V TA	02010	TAJD226M020
C82	0180-4116	1	CAP-FXD 22uF +-20% 20 V TA	02010	TAJD226M020
C101	0160-6736	1	CAP-FXD 0.01uF +-10% 50 V CER X7R	02010	12065C103KAT A
C102	0160-6736	1	CAP-FXD 0.01uF +-10% 50 V CER X7R	02010	12065C103KAT A
C103	0160-6736	1	CAP-FXD 0.01uF +-10% 50 V CER X7R	02010	12065C103KAT A
C104	0160-5952	1	CAP-FXD 330pF +-5% 50 V CER C0G	02010	08055A331JAT A
C105	0160-6736	1	CAP-FXD 0.01uF +-10% 50 V CER X7R	02010	12065C103KAT A
C106	0160-6736	1	CAP-FXD 0.01uF +-10% 50 V CER X7R	02010	12065C103KAT A
C111	0180-4287	1	CAP-FXD 10uF +-20% 35 V TA	02010	TAJD106M035
C112	0160-6734	1	CAP-FXD 0.047uF +-10% 50 V CER X7R	02010	12065C473KAT A
C114	0160-6728	1	CAP-FXD 0.022uF +-10% 50 V CER X7R	02010	12065C223KAT A

**HP Part Number 08561-60055
Frequency Control (continued)**

Reference Designator	HP Part Number	Qty	Description	Mfr Code	Mfr Part Number
C115	0160-6728	1	CAP-FXD 0.022uF +-10% 50 V CER X7R	02010	12065C223KAT A
C116	0160-6736	1	CAP-FXD 0.01uF +-10% 50 V CER X7R	02010	12065C103KAT A
C117	0160-6736	1	CAP-FXD 0.01uF +-10% 50 V CER X7R	02010	12065C103KAT A
C118	0160-6734	1	CAP-FXD 0.047uF +-10% 50 V CER X7R	02010	12065C473KAT A
C119	0160-6734	1	CAP-FXD 0.047uF +-10% 50 V CER X7R	02010	12065C473KAT A
C131	0160-6222	1	CAP-FXD 0.1uF +-10% 50 V CER X7R	02010	12105C104KAT A
C132	0160-6734	1	CAP-FXD 0.047uF +-10% 50 V CER X7R	02010	12065C473KAT A
C133	0160-6734	1	CAP-FXD 0.047uF +-10% 50 V CER X7R	02010	12065C473KAT A
C134	0160-6727	1	CAP-FXD 0.033uF +-10% 50 V CER X7R	02010	12065C333KATRA
C135	0160-6222	1	CAP-FXD 0.1uF +-10% 50 V CER X7R	02010	12105C104KAT A
C136	0160-5967	1	CAP-FXD 100pF +-5% 50 V CER C0G	06352	C2012COG1H101J
C137	0160-6222	1	CAP-FXD 0.1uF +-10% 50 V CER X7R	02010	12105C104KAT A
C141	0180-3751	1	CAP-FXD 1uF +-20% 35 V TA	02010	TAJB105M035
C142	0160-5951	1	CAP-FXD 390pF +-5% 50 V CER C0G	02010	08055A391JAT A
C143	0160-5951	1	CAP-FXD 390pF +-5% 50 V CER C0G	02010	08055A391JAT A
C144	0160-6102	1	CAP-FXD 1500pF +-5% 50 V CER C0G	02010	12065A152JATRA
C145	0160-6102	1	CAP-FXD 1500pF +-5% 50 V CER C0G	02010	12065A152JATRA
C146	0160-5967	1	CAP-FXD 100pF +-5% 50 V CER C0G	06352	C2012COG1H101J
C147	0180-4287	1	CAP-FXD 10uF +-20% 35 V TA	02010	TAJD106M035
C148	0160-5951	1	CAP-FXD 390pF +-5% 50 V CER C0G	02010	08055A391JAT A
C149	0160-5967	1	CAP-FXD 100pF +-5% 50 V CER C0G	06352	C2012COG1H101J
C150	0180-4287	1	CAP-FXD 10uF +-20% 35 V TA	02010	TAJD106M035
C151	0160-5967	1	CAP-FXD 100pF +-5% 50 V CER C0G	06352	C2012COG1H101J
C152	0160-5967	1	CAP-FXD 100pF +-5% 50 V CER C0G	06352	C2012COG1H101J
C153	0180-4287	1	CAP-FXD 10uF +-20% 35 V TA	02010	TAJD106M035
C160	0160-5967	1	CAP-FXD 100pF +-5% 50 V CER C0G	06352	C2012COG1H101J
C161	0160-5951	1	CAP-FXD 390pF +-5% 50 V CER C0G	02010	08055A391JAT A
C170	0160-5967	1	CAP-FXD 100pF +-5% 50 V CER C0G	06352	C2012COG1H101J
C171	0180-3755	1	CAP-FXD 33uF +-20% 10 V TA	02010	TAJD336M010
C172	0160-5967	1	CAP-FXD 100pF +-5% 50 V CER C0G	06352	C2012COG1H101J
C173	0160-5952	1	CAP-FXD 330pF +-5% 50 V CER C0G	02010	08055A331JAT A
C174	0160-5952	1	CAP-FXD 330pF +-5% 50 V CER C0G	02010	08055A331JAT A
C175	0160-5952	1	CAP-FXD 330pF +-5% 50 V CER C0G	02010	08055A331JAT A
C176	0160-5952	1	CAP-FXD 330pF +-5% 50 V CER C0G	02010	08055A331JAT A
C177	0160-5952	1	CAP-FXD 330pF +-5% 50 V CER C0G	02010	08055A331JAT A

**Indicates factory-selected value*

CLIP 08563-90080 3

HP Part Number 08561-60055
Frequency Control (continued)

Reference Designator	HP Part Number	Qty	Description	Mfr Code	Mfr Part Number
C178	0160-6222	1	CAP-FXD 0.1uF +-10% 50 V CER X7R	02010	12105C104KAT A
C179	0160-5952	1	CAP-FXD 330pF +-5% 50 V CER C0G	02010	08055A331JAT A
C180	0160-6104	1	CAP-FXD 2200pF +-5% 50 V CER C0G	02010	12065A222JATRA
C181	0160-5952	1	CAP-FXD 330pF +-5% 50 V CER C0G	02010	08055A331JAT A
C182	0160-5952	1	CAP-FXD 330pF +-5% 50 V CER C0G	02010	08055A331JAT A
C183	0160-6222	1	CAP-FXD 0.1uF +-10% 50 V CER X7R	02010	12105C104KAT A
C193	0180-3755	1	CAP-FXD 33uF +-20% 10 V TA	02010	TAJD336M010
C194	0160-6222	1	CAP-FXD 0.1uF +-10% 50 V CER X7R	02010	12105C104KAT A
C195	0160-6222	1	CAP-FXD 0.1uF +-10% 50 V CER X7R	02010	12105C104KAT A
C197	0160-5952	1	CAP-FXD 330pF +-5% 50 V CER C0G	02010	08055A331JAT A
C198	0160-5952	1	CAP-FXD 330pF +-5% 50 V CER C0G	02010	08055A331JAT A
C202	0160-5959	1	CAP-FXD 33pF +-5% 50 V CER C0G	02010	08055A330JAT A
C203	0160-5959	1	CAP-FXD 33pF +-5% 50 V CER C0G	02010	08055A330JAT A
C204	0160-5959	1	CAP-FXD 33pF +-5% 50 V CER C0G	02010	08055A330JAT A
C206	0160-6222	1	CAP-FXD 0.1uF +-10% 50 V CER X7R	02010	12105C104KAT A
C207	0160-6104	1	CAP-FXD 2200pF +-5% 50 V CER C0G	02010	12065A222JATRA
C208	0160-5967	1	CAP-FXD 100pF +-5% 50 V CER C0G	06352	C2012COG1H101J
C210	0180-3755	1	CAP-FXD 33uF +-20% 10 V TA	02010	TAJD336M010
C211	0160-6222	1	CAP-FXD 0.1uF +-10% 50 V CER X7R	02010	12105C104KAT A
C212	0160-6222	1	CAP-FXD 0.1uF +-10% 50 V CER X7R	02010	12105C104KAT A
C213	0160-6222	1	CAP-FXD 0.1uF +-10% 50 V CER X7R	02010	12105C104KAT A
C214	0160-6222	1	CAP-FXD 0.1uF +-10% 50 V CER X7R	02010	12105C104KAT A
C221	0180-3755	1	CAP-FXD 33uF +-20% 10 V TA	02010	TAJD336M010
C222	0180-4287	1	CAP-FXD 10uF +-20% 35 V TA	02010	TAJD106M035
C223	0180-4287	1	CAP-FXD 10uF +-20% 35 V TA	02010	TAJD106M035
C231	0160-5954	1	CAP-FXD 220pF +-5% 50 V CER C0G	02010	08055A221JAT A
C232	0160-5954	1	CAP-FXD 220pF +-5% 50 V CER C0G	02010	08055A221JAT A
C233	0160-6222	1	CAP-FXD 0.1uF +-10% 50 V CER X7R	02010	12105C104KAT A
C234	0160-6734	1	CAP-FXD 0.047uF +-10% 50 V CER X7R	02010	12065C473KAT A
C237	0160-5967	1	CAP-FXD 100pF +-5% 50 V CER C0G	06352	C2012COG1H101J
C239	0160-5967	1	CAP-FXD 100pF +-5% 50 V CER C0G	06352	C2012COG1H101J
C240	0160-5967	1	CAP-FXD 100pF +-5% 50 V CER C0G	06352	C2012COG1H101J
C241	0160-5967	1	CAP-FXD 100pF +-5% 50 V CER C0G	06352	C2012COG1H101J
C244	0160-6736	1	CAP-FXD 0.01uF +-10% 50 V CER X7R	02010	12065C103KAT A
C245	0160-6736	1	CAP-FXD 0.01uF +-10% 50 V CER X7R	02010	12065C103KAT A

**HP Part Number 08561-60055
Frequency Control (continued)**

Reference Designator	HP Part Number	Qty	Description	Mfr Code	Mfr Part Number
C246	0160-5967	1	CAP-FXD 100pF +5% 50 V CER C0G	06352	C2012COG1H101J
C250	0160-5959	1	CAP-FXD 33pF +5% 50 V CER C0G	02010	08055A330JAT A
C251	0160-5959	1	CAP-FXD 33pF +5% 50 V CER C0G	02010	08055A330JAT A
C252	0160-5959	1	CAP-FXD 33pF +5% 50 V CER C0G	02010	08055A330JAT A
C253	0160-5959	1	CAP-FXD 33pF +5% 50 V CER C0G	02010	08055A330JAT A
C254	0160-5959	1	CAP-FXD 33pF +5% 50 V CER C0G	02010	08055A330JAT A
C255	0160-5959	1	CAP-FXD 33pF +5% 50 V CER C0G	02010	08055A330JAT A
C256	0160-5959	1	CAP-FXD 33pF +5% 50 V CER C0G	02010	08055A330JAT A
C257	0160-5959	1	CAP-FXD 33pF +5% 50 V CER C0G	02010	08055A330JAT A
C258	0160-5959	1	CAP-FXD 33pF +5% 50 V CER C0G	02010	08055A330JAT A
C259	0160-5959	1	CAP-FXD 33pF +5% 50 V CER C0G	02010	08055A330JAT A
C260	0160-5967	1	CAP-FXD 100pF +5% 50 V CER C0G	06352	C2012COG1H101J
C261	0160-5967	1	CAP-FXD 100pF +5% 50 V CER C0G	06352	C2012COG1H101J
C262	0160-5967	1	CAP-FXD 100pF +5% 50 V CER C0G	06352	C2012COG1H101J
C263	0160-5967	1	CAP-FXD 100pF +5% 50 V CER C0G	06352	C2012COG1H101J
C264	0160-5967	1	CAP-FXD 100pF +5% 50 V CER C0G	06352	C2012COG1H101J
C265	0160-5967	1	CAP-FXD 100pF +5% 50 V CER C0G	06352	C2012COG1H101J
C270	0160-5967	1	CAP-FXD 100pF +5% 50 V CER C0G	06352	C2012COG1H101J
C271	0160-6734	1	CAP-FXD 0.047uF +10% 50 V CER X7R	02010	12065C473KAT A
C301	0180-4287	1	CAP-FXD 10uF +20% 35 V TA	02010	TAJD106M035
C393	0160-5961	1	CAP-FXD 22pF +5% 50 V CER C0G	02010	08055A220JAT A
C401	0160-6104	1	CAP-FXD 2200pF +5% 50 V CER C0G	02010	12065A222JATRA
C530	0160-6736	1	CAP-FXD 0.01uF +10% 50 V CER X7R	02010	12065C103KAT A
C531	0160-6736	1	CAP-FXD 0.01uF +10% 50 V CER X7R	02010	12065C103KAT A
C532	0160-6736	1	CAP-FXD 0.01uF +10% 50 V CER X7R	02010	12065C103KAT A
C533	0160-6736	1	CAP-FXD 0.01uF +10% 50 V CER X7R	02010	12065C103KAT A
C534	0160-6736	1	CAP-FXD 0.01uF +10% 50 V CER X7R	02010	12065C103KAT A
C535	0160-6736	1	CAP-FXD 0.01uF +10% 50 V CER X7R	02010	12065C103KAT A
C536	0160-6736	1	CAP-FXD 0.01uF +10% 50 V CER X7R	02010	12065C103KAT A
C537	0160-6736	1	CAP-FXD 0.01uF +10% 50 V CER X7R	02010	12065C103KAT A
C541	0160-6736	1	CAP-FXD 0.01uF +10% 50 V CER X7R	02010	12065C103KAT A
C542	0160-6736	1	CAP-FXD 0.01uF +10% 50 V CER X7R	02010	12065C103KAT A
C543	0160-6099	1	CAP-FXD 820pF +5% 50 V CER C0G	02010	12065A821JAT A
C544	0160-6099	1	CAP-FXD 820pF +5% 50 V CER C0G	02010	12065A821JAT A
C545	0160-6734	1	CAP-FXD 0.047uF +10% 50 V CER X7R	02010	12065C473KAT A

**Indicates factory-selected value*

CLIP 08563-90080 5

Scans by ArtekMedia => 2009

HP Part Number 08561-60055
Frequency Control (continued)

Reference Designator	HP Part Number	Qty	Description	Mfr Code	Mfr Part Number
C546	0160-6734	1	CAP-FXD 0.047uF +-10% 50 V CER X7R	02010	12065C473KAT A
C547	0160-5952	1	CAP-FXD 330pF +-5% 50 V CER C0G	02010	08055A331JAT A
C548	0160-7384	1	CAP-FXD 110pF +-5% 50 V CER C0G	06352	C2012C0G1H111JT
C549	0160-6102	1	CAP-FXD 1500pF +-5% 50 V CER C0G	02010	12065A152JATRA
C550	0160-6736	1	CAP-FXD 0.01uF +-10% 50 V CER X7R	02010	12065C103KAT A
C551	0160-6736	1	CAP-FXD 0.01uF +-10% 50 V CER X7R	02010	12065C103KAT A
C552	0180-4116	1	CAP-FXD 22uF +-20% 20 V TA	02010	TAJD226M020
C554	0160-6736	1	CAP-FXD 0.01uF +-10% 50 V CER X7R	02010	12065C103KAT A
C556	0160-6736	1	CAP-FXD 0.01uF +-10% 50 V CER X7R	02010	12065C103KAT A
C558	0180-3755	1	CAP-FXD 33uF +-20% 10 V TA	02010	TAJD336M010
C560	0160-5959	1	CAP-FXD 33pF +-5% 50 V CER C0G	02010	08055A330JAT A
C561	0160-5956	1	CAP-FXD 56pF +-5% 50 V CER C0G	02010	08055A560JAT A
C562	0160-7381	1	CAP-FXD 36pF +-5% 50 V CER C0G	06352	C2012C0G1H360JT
C563	0160-5956	1	CAP-FXD 56pF +-5% 50 V CER C0G	02010	08055A560JAT A
C564	0160-7381	1	CAP-FXD 36pF +-5% 50 V CER C0G	06352	C2012C0G1H360JT
C601	0180-4287	1	CAP-FXD 10uF +-20% 35 V TA	02010	TAJD106M035
C602	0160-6736	1	CAP-FXD 0.01uF +-10% 50 V CER X7R	02010	12065C103KAT A
C603	0160-6104	1	CAP-FXD 2200pF +-5% 50 V CER C0G	02010	12065A222JATRA
C604	0160-6736	1	CAP-FXD 0.01uF +-10% 50 V CER X7R	02010	12065C103KAT A
C605	0160-6736	1	CAP-FXD 0.01uF +-10% 50 V CER X7R	02010	12065C103KAT A
CR5	1901-1227	1	DIODE-SWITCHING 75V 200MA 6NS TO-236	02910	BAS16
CR9	1901-1227	1	DIODE-SWITCHING 75V 200MA 6NS TO-236	02910	BAS16
CR11	1906-0335	1	DIODE-DUAL 50V 200MA TO-236AA	02910	BAV74
CR12	1901-1227	1	DIODE-SWITCHING 75V 200MA 6NS TO-236	02910	BAS16
CR13	1906-0290	1	DIODE-DUAL 70V 200MA TO-236AB (SOT-23)	00746	BAW56
CR19	1900-0074	1	DIODE-SCHOTTKY SM SIG	01542	1900-0074
CR22	1900-0074	1	DIODE-SCHOTTKY SM SIG	01542	1900-0074
CR24	1901-1227	1	DIODE-SWITCHING 75V 200MA 6NS TO-236	02910	BAS16
CR25	1901-1227	1	DIODE-SWITCHING 75V 200MA 6NS TO-236	02910	BAS16
CR27	1901-1227	1	DIODE-SWITCHING 75V 200MA 6NS TO-236	02910	BAS16
CR131	1901-1227	1	DIODE-SWITCHING 75V 200MA 6NS TO-236	02910	BAS16
CR132	1901-1227	1	DIODE-SWITCHING 75V 200MA 6NS TO-236	02910	BAS16
CR143	5087-8050	1	D VVC13.5PF	28480	5087-8050
CR144	5087-8050	1	D VVC13.5PF	28480	5087-8050
CR145	5087-8050	1	D VVC13.5PF	28480	5087-8050

**HP Part Number 08561-60055
Frequency Control (continued)**

Reference Designator	HP Part Number	Qty	Description	Mfr Code	Mfr Part Number
CR146	5087-8050	1	D VVC13.5PF	28480	5087-8050
CR147	5087-8050	1	D VVC13.5PF	28480	5087-8050
CR148	5087-8050	1	D VVC13.5PF	28480	5087-8050
CR149	5087-8050	1	D VVC13.5PF	28480	5087-8050
CR150	5087-8050	1	D VVC13.5PF	28480	5087-8050
CR191	1901-1227	1	DIODE-SWITCHING 75V 200MA 6NS TO-236	02910	BAS16
CR192	1901-1227	1	DIODE-SWITCHING 75V 200MA 6NS TO-236	02910	BAS16
CR193	1901-1227	1	DIODE-SWITCHING 75V 200MA 6NS TO-236	02910	BAS16
CR194	1901-1227	1	DIODE-SWITCHING 75V 200MA 6NS TO-236	02910	BAS16
CR501	1901-1227	1	DIODE-SWITCHING 75V 200MA 6NS TO-236	02910	BAS16
CR601	1901-1227	1	DIODE-SWITCHING 75V 200MA 6NS TO-236	02910	BAS16
CR602	1901-1227	1	DIODE-SWITCHING 75V 200MA 6NS TO-236	02910	BAS16
DS131	1990-1267	1	LED-LAMP LUM-INT=400UCD IF=12.5MA-MAX	36393	LS S260-DO
DS132	1990-1267	1	LED-LAMP LUM-INT=400UCD IF=12.5MA-MAX	36393	LS S260-DO
E507	9170-1418	1	CORE-SHIELDING BEAD	06352	HF30ACB-453215
E508	9170-1418	1	CORE-SHIELDING BEAD	06352	HF30ACB-453215
J1	1252-1064	1	CONN-POST TYPE .100-PIN-SPCG-MTG-END	01380	1-746878-0
J2	1252-1064	1	CONN-POST TYPE .100-PIN-SPCG-MTG-END	01380	1-746878-0
J3	1252-2007	1	CONN-POST TYPE .100-PIN-SPCG-MTG-END	13369	68451-125
J6	1252-2221	1	CONN-POST TYPE .100-PIN-SPCG-MTG-END	13369	88874-110
J7	1250-0543	1	CONNECTOR-RF SMB MALE PC-W-STDFS 50-OHM	07247	59S213-40TD3
J8	1252-2042	1	CONN-POST TYPE .100-PIN-SPCG-MTG-END	01380	644224-1
J9	1251-8473	1	CONN-POST TYPE .100-PIN-SPCG-MTG-END	04726	2520-5002UB
J10	1251-8714	1	CONN-POST TYPE .100-PIN-SPCG-MTG-END	01380	103166-5
J11	1252-0523	1	CONN-POST TYPE .100-PIN-SPCG-MTG-END	01380	641216-3
J12	1252-2008	1	CONN-POST TYPE .100-PIN-SPCG-MTG-END	13369	68451-124
J15	1252-1200	1	CONN-POST TYPE .100-PIN-SPCG-MTG-END	13369	68449-079
J16	1252-1200	1	CONN-POST TYPE .100-PIN-SPCG-MTG-END	13369	68449-079
J17	1252-1200	1	CONN-POST TYPE .100-PIN-SPCG-MTG-END	13369	68449-079
J18	1252-1200	1	CONN-POST TYPE .100-PIN-SPCG-MTG-END	13369	68449-079
J19	1252-1200	1	CONN-POST TYPE .100-PIN-SPCG-MTG-END	13369	68449-079
J20	1250-0543	1	CONNECTOR-RF SMB MALE PC-W-STDFS 50-OHM	07247	59S213-40TD3
J23	1251-5033	1	CONN-POST TYPE .100-PIN-SPCG-MTG-END	01380	103239-3
J301	1250-0543	1	CONNECTOR-RF SMB MALE PC-W-STDFS 50-OHM	07247	59S213-40TD3
J302	1252-1200	1	CONN-POST TYPE .100-PIN-SPCG-MTG-END	13369	68449-079

**Indicates factory-selected value*

CLIP 08563-90080 7

Scans by ArtekMedia => 2009

HP Part Number 08561-60055
Frequency Control (continued)

Reference Designator	HP Part Number	Qty	Description	Mfr Code	Mfr Part Number
J304	1250-0257	1	CONNECTOR-RF SMB MALE PC-W-STDFS 50-OHM	01380	413990-3
J501	1250-0543	1	CONNECTOR-RF SMB MALE PC-W-STDFS 50-OHM	07247	59S213-40TD3
L1	9140-0738	1	INDUCTOR 100uH .6W-INX.7LG-IN	01869	52405
L2	9140-0738	1	INDUCTOR 100uH .6W-INX.7LG-IN	01869	52405
L3	9140-0738	1	INDUCTOR 100uH .6W-INX.7LG-IN	01869	52405
L4	9140-1109	1	INDUCTOR 4.7uH +-5% 3.4W-mmX4.8LG-mm	06352	NL453232-4R7J
L5	9140-0210	1	INDUCTOR RF-CH-MLD 100uH +-5%	05524	IM-4 100UH 5%
L6	9140-0210	1	INDUCTOR RF-CH-MLD 100uH +-5%	05524	IM-4 100UH 5%
L7	9140-0210	1	INDUCTOR RF-CH-MLD 100uH +-5%	05524	IM-4 100UH 5%
L9	9140-0251	1	INDUCTOR 10uH +-15% .31D-INX1LG-IN	05524	IH-4 10UH+-15%
L41	9140-1206	1	INDUCTOR 100nH +-5% 2.8W-mmX3.4LG-mm	06352	NL322522T-R10J
L42	9140-1206	1	INDUCTOR 100nH +-5% 2.8W-mmX3.4LG-mm	06352	NL322522T-R10J
L44	9140-1206	1	INDUCTOR 100nH +-5% 2.8W-mmX3.4LG-mm	06352	NL322522T-R10J
L45	9140-1205	1	INDUCTOR 82nH +-5% 2.8W-mmX3.4LG-mm Q=27	09891	KL32TE082J
L46	9140-1206	1	INDUCTOR 100nH +-5% 2.8W-mmX3.4LG-mm	06352	NL322522T-R10J
L47	9135-0080	1	INDUCTOR 27nH +-5.556% 2.6D-mmX6.6LG-mm	03273	10M271X-1
L71	9140-1113	1	INDUCTOR 10uH +-5% 3.4W-mmX4.8LG-mm Q=50	06352	NL453232-100J-3
L72	9140-1194	1	INDUCTOR 10nH +-10% 2.8W-mmX3.4LG-mm	09891	KL32TE010K
L73	9140-1206	1	INDUCTOR 100nH +-5% 2.8W-mmX3.4LG-mm	06352	NL322522T-R10J
L74	9140-1206	1	INDUCTOR 100nH +-5% 2.8W-mmX3.4LG-mm	06352	NL322522T-R10J
L75	9140-1201	1	INDUCTOR 39nH +-5% 2.8W-mmX3.4LG-mm Q=25	06352	NL322522T-039J
L76	9140-1201	1	INDUCTOR 39nH +-5% 2.8W-mmX3.4LG-mm Q=25	06352	NL322522T-039J
L77	9140-1201	1	INDUCTOR 39nH +-5% 2.8W-mmX3.4LG-mm Q=25	06352	NL322522T-039J
L93	9140-1113	1	INDUCTOR 10uH +-5% 3.4W-mmX4.8LG-mm Q=50	06352	NL453232-100J-3
L101	9100-3922	1	INDUCTOR-FIXED Z > 1200 OHMS 120 TO 650	03273	51-088
L102	9140-1109	1	INDUCTOR 4.7uH +-5% 3.4W-mmX4.8LG-mm	06352	NL453232-4R7J
L103	9140-1109	1	INDUCTOR 4.7uH +-5% 3.4W-mmX4.8LG-mm	06352	NL453232-4R7J
L110	9140-1113	1	INDUCTOR 10uH +-5% 3.4W-mmX4.8LG-mm Q=50	06352	NL453232-100J-3
L201	9140-0210	1	INDUCTOR RF-CH-MLD 100uH +-5%	05524	IM-4 100UH 5%
L512	9100-1788	1	CORE-FERRITE CHOKE-WIDEBAND;IMP:>680	11212	LB2/2.5ZB
L541	9140-1421	1	INDUCTOR 27uH +-5% 3.4W-mmX4.8LG-mm Q=50	06352	NL453232-270J-3
L560	9140-1098	1	INDUCTOR 150nH +-5% 2.8W-mmX3.4LG-mm	09891	KL32TER15J
L561	9140-1205	1	INDUCTOR 82nH +-5% 2.8W-mmX3.4LG-mm Q=27	09891	KL32TE082J
L562	9140-1098	1	INDUCTOR 150nH +-5% 2.8W-mmX3.4LG-mm	09891	KL32TER15J
L563	9140-1204	1	INDUCTOR 68nH +-5% 2.8W-mmX3.4LG-mm Q=27	09891	KL32TE068J

**HP Part Number 08561-60055
Frequency Control (continued)**

Reference Designator	HP Part Number	Qty	Description	Mfr Code	Mfr Part Number
L564	9140-1098	1	INDUCTOR 150nH +-5% 2.8W-mmX3.4LG-mm	09891	KL32TER15J
L601	9140-0738	1	INDUCTOR 100uH .6W-INX.7LG-IN	01869	52405
MP4	1200-0173	1	INSULATOR-XSTR DAP-GL	14283	A-10001 DAP
MP5	1200-0173	1	INSULATOR-XSTR DAP-GL	14283	A-10001 DAP
MP6	1205-0011	1	HEAT SINK TO-5/TO-39-CS	05792	TXBF-032-025B
MP7	1205-1181	1	HEAT SINK SGL TO-220-CS	07179	577002B00500
MP8	5002-4029	1	HEAT SINK	09507	5002-4029
MP9	3030-0133	1	SCREW-SKT HD CAP 6-32 .25-IN-LG SST	04204	3030-0133
MP12	5063-0209	1	SHIELD AY-FC TOP	28480	5063-0209
MP13	5063-0210	1	SHIELD AY-FC BOT	28480	5063-0210
MP15	1205-0011	1	HEAT SINK TO-5/TO-39-CS	05792	TXBF-032-025B
MP16	1205-1181	1	HEAT SINK SGL TO-220-CS	07179	577002B00500
MP17	3030-0133	1	SCREW-SKT HD CAP 6-32 .25-IN-LG SST	04204	3030-0133
MP18	0515-0430	1	SCREW-MACHINE ASSEMBLY M3 X 0.5 6MM-LG	07606	0515-0430
P23	1258-0141	1	JUMPER-REMOVABLE FOR 0.025 IN SQ PINS	01380	530153-2
Q1	1853-0580	1	TRANSISTOR PNP SI SOT-23 (TO-236AB)	12125	KST4403
Q2	1854-1188	1	TRANSISTOR NPN SI SOT-23 (TO-236AB)	12125	KST4401
Q3	1854-1251	1	TRANSISTOR-DUAL NPN	03285	SSM-2210S
Q101	1854-1037	1	TRANSISTOR NPN SI TO-236AA PD=350MW	00746	SST3904T116
Q102	1853-0567	1	TRANSISTOR PNP SI SOT-23 (TO-236AB)	12125	KST3906
Q103	1853-0567	1	TRANSISTOR PNP SI SOT-23 (TO-236AB)	12125	KST3906
Q104	1854-1094	1	TRANSISTOR NPN SI SOT-89 (TO-243AB)	02910	PXT2222A
Q105	1853-0580	1	TRANSISTOR PNP SI SOT-23 (TO-236AB)	12125	KST4403
Q106	1854-1304	1	TRANSISTOR NPN SI CHIP PD=580MW	03074	NE85635
Q107	1853-0568	1	TRANSISTOR PNP SI TO-236AA PD=350MW	36633	MMBT5087LT1
Q131	1853-0580	1	TRANSISTOR PNP SI SOT-23 (TO-236AB)	12125	KST4403
Q132	1854-1188	1	TRANSISTOR NPN SI SOT-23 (TO-236AB)	12125	KST4401
Q301	1855-0509	1	TRANSISTOR MOSFET P-CHAN E-MODE TO-220	37338	IRF9520
Q302	1855-0509	1	TRANSISTOR MOSFET P-CHAN E-MODE TO-220	37338	IRF9520
Q303	1855-0856	1	TRANSISTOR J-FET P-CHAN SOT-23	02883	SST174
Q304	1855-0856	1	TRANSISTOR J-FET P-CHAN SOT-23	02883	SST174
Q305	1855-0715	1	TRANSISTOR J-FET N-CHAN D-MODE SOT-23	02910	PMBF4393
Q306	1854-0637	1	TRANSISTOR NPN 2N2219A SI TO-5 PD=800MW	11699	2N2219A
Q307	1853-0314	1	TRANSISTOR PNP 2N2905A SI TO-39 PD=400MW	11699	2N2905A
Q308	1854-1053	1	TRANSISTOR NPN SI SOT-23 (TO-236AB)	12125	KST2222A

**Indicates factory-selected value*

CLIP 08563-90080 9

Scans by ArtekMedia => 2009

HP Part Number 08561-60055
Frequency Control (continued)

Reference Designator	HP Part Number	Qty	Description	Mfr Code	Mfr Part Number
Q310	1853-0724	1	TRANSISTOR PNP SI TO-261AA (SOT-223)	02910	PZT2907A
Q311	1855-0801	1	TRANSISTOR MOSFET P-CHAN E-MODE TO-252AA	36633	MTD2955V
Q404	1855-0581	1	TRANSISTOR MOSFET N-CHAN E-MODE TO-220AB	03038	IRF520N
Q406	1854-1053	1	TRANSISTOR NPN SI SOT-23 (TO-236AB)	12125	KST2222A
R1	0699-1391	1	RESISTOR 10K +-1% .125W TKF TC=0+-100	05524	CRCW12061002F
R2	0699-1391	1	RESISTOR 10K +-1% .125W TKF TC=0+-100	05524	CRCW12061002F
R3	0699-1415	1	RESISTOR 100 +-1% .125W TKF TC=0+-100	05524	CRCW12061000F
R5	0699-2489	1	RESISTOR 10K +-0.1% .125W TF TC=0+-25	01172	BLU-1206 10K .1% 25PPM
R6	0699-2967	1	RESISTOR 4.64K +-0.1% .125W TF TC=0+-25	02499	W1206R034641B
R8	0699-1391	1	RESISTOR 10K +-1% .125W TKF TC=0+-100	05524	CRCW12061002F
R9	0699-1380	1	RESISTOR 3.16K +-1% .125W TKF TC=0+-100	05524	CRCW12063161F
R10	0699-1406	1	RESISTOR 42.2K +-1% .125W TKF TC=0+-100	00746	MCR18-F-4222
R11	0699-1369	1	RESISTOR 1.1K +-1% .125W TKF TC=0+-100	05524	CRCW12061101F
R12	0699-0642	1	RESISTOR 10K +-0.1% .1W TF TC=0+-5	05524	PTF-5610K0BT-16
R13	0699-0642	1	RESISTOR 10K +-0.1% .1W TF TC=0+-5	05524	PTF-5610K0BT-16
R14	0699-1438	1	RESISTOR 909 +-1% .125W TKF TC=0+-100	05524	CRCW12069090F
R15	0698-6630	1	RESISTOR 20K +-0.1% .125W TF TC=0+-25	05524	CMF-552002BT-9
R18	0699-1391	1	RESISTOR 10K +-1% .125W TKF TC=0+-100	05524	CRCW12061002F
R19	0699-1391	1	RESISTOR 10K +-1% .125W TKF TC=0+-100	05524	CRCW12061002F
R20	0698-6317	1	RESISTOR 500 +-0.1% .125W TF TC=0+-25	05524	CMF-555000BT-9
R21	0699-1407	1	RESISTOR 46.4K +-1% .125W TKF TC=0+-100	05524	CRCW12064642F
R22	0699-1443	1	RESISTOR 147K +-1% .125W TKF TC=0+-100	09891	RK73H2BT1473F
R25	0699-1375	1	RESISTOR 1.96K +-1% .125W TKF TC=0+-100	09891	RK73H2BT1961F
R26	0699-1407	1	RESISTOR 46.4K +-1% .125W TKF TC=0+-100	05524	CRCW12064642F
R28	0699-1422	1	RESISTOR 196 +-1% .125W TKF TC=0+-100	09891	RK73H2BT1960F
R29	0699-1383	1	RESISTOR 4.22K +-1% .125W TKF TC=0+-100	00746	MCR18-F-4221
R30	0699-1386	1	RESISTOR 5.62K +-1% .125W TKF TC=0+-100	09891	RK73H2BT5621F
R31	0699-1443	1	RESISTOR 147K +-1% .125W TKF TC=0+-100	09891	RK73H2BT1473F
R32	0699-2836	1	RESISTOR 15K +-0.1% .125W TF TC=0+-25	01172	BLU-1206 15K .1% 25PPM
R33	0699-2836	1	RESISTOR 15K +-0.1% .125W TF TC=0+-25	01172	BLU-1206 15K .1% 25PPM
R34	0699-1370	1	RESISTOR 1.21K +-1% .125W TKF TC=0+-100	05524	CRCW12061211F
R35	0699-1391	1	RESISTOR 10K +-1% .125W TKF TC=0+-100	05524	CRCW12061002F
R37	0699-0642	1	RESISTOR 10K +-0.1% .1W TF TC=0+-5	05524	PTF-5610K0BT-16
R38	0699-1327	1	RESISTOR 1M +-1% .125W TKF TC=0+-100	09891	RK73H2BT1004F
R39	0699-0642	1	RESISTOR 10K +-0.1% .1W TF TC=0+-5	05524	PTF-5610K0BT-16

**HP Part Number 08561-60055
Frequency Control (continued)**

Reference Designator	HP Part Number	Qty	Description	Mfr Code	Mfr Part Number
R40	0699-0118	1	RESISTOR 20K +0.1% .1W TF TC=0+-5	05524	PTF-5620K0BT-16
R41	0699-0118	1	RESISTOR 20K +0.1% .1W TF TC=0+-5	05524	PTF-5620K0BT-16
R42	2100-4159	1	RESISTOR-TRMR 20 10% TKF TOP-ADJ 25-TRN	04568	67 YR
R43	0699-1348	1	RESISTOR 14.7 +-1% .125W TKF TC=0+-100	05524	CRCW120614R7F
R44	0699-0555	1	RESISTOR 100 +-0.1% .3W MF TC=0+-5	05524	VSR 100R .1%
R47	0699-1391	1	RESISTOR 10K +-1% .125W TKF TC=0+-100	05524	CRCW12061002F
R48	0699-1361	1	RESISTOR 51.1 +-1% .125W TKF TC=0+-100	05524	CRCW120651R1F
R49	0699-1425	1	RESISTOR 261 +-1% .125W TKF TC=0+-100	00746	MCR18-F-2610
R50	0699-1391	1	RESISTOR 10K +-1% .125W TKF TC=0+-100	05524	CRCW12061002F
R51	0699-1414	1	RESISTOR 90.9K +-1% .125W TKF TC=0+-100	09891	RK73H2BT9092F
R52	0699-1448	1	RESISTOR 316K +-1% .125W TKF TC=0+-100	05524	CRCW12063163F
R53	0699-2846	1	RESISTOR 5K +-0.1% .125W TF TC=0+-25	02499	W1206R035001BT
R54	0699-2846	1	RESISTOR 5K +-0.1% .125W TF TC=0+-25	02499	W1206R035001BT
R55	0699-1329	1	RESISTOR 6.19K +-1% .125W TKF TC=0+-100	05524	CRCW12066191F
R56	0699-1392	1	RESISTOR 11K +-1% .125W TKF TC=0+-100	05524	CRCW12061102F
R57	0698-6967	1	RESISTOR 32.5K +-1% .125W TF TC=0+-25	05524	CMF-553252FT-9
R58	0699-2488	1	RESISTOR 100 +-0.1% .125W TF TC=0+-25	02499	W1206R031000BT
R59	0699-1415	1	RESISTOR 100 +-1% .125W TKF TC=0+-100	05524	CRCW12061000F
R60	0699-0555	1	RESISTOR 100 +-0.1% .3W MF TC=0+-5	05524	VSR 100R .1%
R61	0699-0555	1	RESISTOR 100 +-0.1% .3W MF TC=0+-5	05524	VSR 100R .1%
R62	0699-1354	1	RESISTOR 26.1 +-1% .125W TKF TC=0+-100	09891	RK73H2BT26R1F
R63	0699-1385	1	RESISTOR 5.11K +-1% .125W TKF TC=0+-100	05524	CRCW12065111F
R64	0699-1385	1	RESISTOR 5.11K +-1% .125W TKF TC=0+-100	05524	CRCW12065111F
R68	0699-1415	1	RESISTOR 100 +-1% .125W TKF TC=0+-100	05524	CRCW12061000F
R69	0699-1429	1	RESISTOR 383 +-1% .125W TKF TC=0+-100	09891	RK73H2BT3830F
R70	0699-1318	1	RESISTOR 1K +-1% .125W TKF TC=0+-100	00746	MCR18-F-1001
R71	0699-2483	1	RESISTOR 4K +-0.1% .125W TF TC=0+-25	02499	W1206R034001BT
R72	0699-2847	1	RESISTOR 2K +-0.1% .125W TF TC=0+-25	01172	BLU-1206 2K .1% 25PPM
R73	0757-0003	1	RESISTOR 26.1 +-1% .5W TF TC=0+-100	01074	H226R1FZ
R74	0757-0003	1	RESISTOR 26.1 +-1% .5W TF TC=0+-100	01074	H226R1FZ
R75	0699-1421	1	RESISTOR 178 +-1% .125W TKF TC=0+-100	09891	RK73H2BT1780F
R76	2100-1773	1	RESISTOR-TRMR 1K 5% WW TOP-ADJ 1-TRN	06026	CT-100-4-1K
R77	0757-0003	1	RESISTOR 26.1 +-1% .5W TF TC=0+-100	01074	H226R1FZ
R78	0699-1382	1	RESISTOR 3.83K +-1% .125W TKF TC=0+-100	05524	CRCW12063831F
R79	0699-2107	1	RESISTOR 63.93K +-0.1% .125W TF TC=0+-5	33830	UXBA63K930B

**Indicates factory-selected value*

CLIP 08563-90080 11

Scans by ArtekMedia => 2009

HP Part Number 08561-60055
Frequency Control (continued)

Reference Designator	HP Part Number	Qty	Description	Mfr Code	Mfr Part Number
R80	0699-2109	1	RESISTOR 25K +0.1% .125W TF TC=0+-5	33830	UXBA25K000B
R81	0699-2108	1	RESISTOR 50K +0.1% .125W TF TC=0+-5	33830	UXBA50K000B
R82	0699-2108	1	RESISTOR 50K +0.1% .125W TF TC=0+-5	33830	UXBA50K000B
R83	0699-1318	1	RESISTOR 1K +-1% .125W TKF TC=0+-100	00746	MCR18-F-1001
R84	0699-1391	1	RESISTOR 10K +-1% .125W TKF TC=0+-100	05524	CRCW12061002F
R85	0699-1386	1	RESISTOR 5.62K +-1% .125W TKF TC=0+-100	09891	RK73H2BT5621F
R86	0699-2108	1	RESISTOR 50K +0.1% .125W TF TC=0+-5	33830	UXBA50K000B
R87	0699-2836	1	RESISTOR 15K +0.1% .125W TF TC=0+-25	01172	BLU-1206 15K .1% 25PPM
R88	0699-2114	1	RESISTOR 1K +-0.1% .125W TF TC=0+-5	05524	PTF-561K000BT-16
R89	0699-2114	1	RESISTOR 1K +-0.1% .125W TF TC=0+-5	05524	PTF-561K000BT-16
R90	0699-2114	1	RESISTOR 1K +-0.1% .125W TF TC=0+-5	05524	PTF-561K000BT-16
R91	0811-3852	1	RESISTOR 5 +-1% 3.5W PI TC=0+-5	05524	RS-5-1875R01%
R92	0699-2839	1	RESISTOR 150K +-0.1% .125W TF TC=0+-25	01172	BLU-1206 150K .1% 25PPM
R93	2100-3286	1	RESISTOR-TRMR 10K 10% TKF TOP-ADJ 17-TRN	04568	67WR
R94	0699-1425	1	RESISTOR 261 +-1% .125W TKF TC=0+-100	00746	MCR18-F-2610
R95	0699-2489	1	RESISTOR 10K +0.1% .125W TF TC=0+-25	01172	BLU-1206 10K .1% 25PPM
R96	0699-2489	1	RESISTOR 10K +0.1% .125W TF TC=0+-25	01172	BLU-1206 10K .1% 25PPM
R99	0699-1408	1	RESISTOR 51.1K +-1% .125W TKF TC=0+-100	05524	CRCW12065112F
R100	0699-1381	1	RESISTOR 3.48K +-1% .125W TKF TC=0+-100	05524	CRCW12063481F
R101	0699-1391	1	RESISTOR 10K +-1% .125W TKF TC=0+-100	05524	CRCW12061002F
R102	0699-1391	1	RESISTOR 10K +-1% .125W TKF TC=0+-100	05524	CRCW12061002F
R103	0699-1406	1	RESISTOR 42.2K +-1% .125W TKF TC=0+-100	00746	MCR18-F-4222
R104	0699-1327	1	RESISTOR 1M +-1% .125W TKF TC=0+-100	09891	RK73H2BT1004F
R105	0699-2113	1	RESISTOR 2K +-0.1% .125W TF TC=0+-5	33830	UXBA2K0000B
R106	0699-1422	1	RESISTOR 196 +-1% .125W TKF TC=0+-100	09891	RK73H2BT1960F
R107	0699-1385	1	RESISTOR 5.11K +-1% .125W TKF TC=0+-100	05524	CRCW12065111F
R108	0699-2846	1	RESISTOR 5K +-0.1% .125W TF TC=0+-25	02499	W1206R035001BT
R109	0699-1382	1	RESISTOR 3.83K +-1% .125W TKF TC=0+-100	05524	CRCW12063831F
R112	0699-2125	1	RESISTOR 643.7K +-1% .125W TF TC=0+-100	05524	CMF-55643R7KFT-1
R113	0699-2113	1	RESISTOR 2K +-0.1% .125W TF TC=0+-5	33830	UXBA2K0000B
R114	0699-2489	1	RESISTOR 10K +0.1% .125W TF TC=0+-25	01172	BLU-1206 10K .1% 25PPM
R115	0699-1330	1	RESISTOR 100K +-1% .125W TKF TC=0+-100	00746	MCR18-F-1003
R116	0699-1330	1	RESISTOR 100K +-1% .125W TKF TC=0+-100	00746	MCR18-F-1003
R117	0699-1399	1	RESISTOR 23.7K +-1% .125W TKF TC=0+-100	05524	CRCW12062372F
R119	0699-1355	1	RESISTOR 28.7 +-1% .125W TKF TC=0+-100	09891	RK73H2BT28R7F

**HP Part Number 08561-60055
Frequency Control (continued)**

Reference Designator	HP Part Number	Qty	Description	Mfr Code	Mfr Part Number
R120	0699-2104	1	RESISTOR 169.5K +-0.1% .125W TF TC=0+-5	33830	UXBA169K50B
R121	0699-3451	1	RESISTOR 294 +-0.1% .1W TF TC=0+-5	33830	UXBA294R00B
R122	0699-2122	1	RESISTOR 55.5K +-0.1% .125W TF TC=0+-25	05524	CMF-555552BT-9
R123	0699-2489	1	RESISTOR 10K +-0.1% .125W TF TC=0+-25	01172	BLU-1206 10K .1% 25PPM
R124	0699-1391	1	RESISTOR 10K +-1% .125W TKF TC=0+-100	05524	CRCW12061002F
R125	0699-1415	1	RESISTOR 100 +-1% .125W TKF TC=0+-100	05524	CRCW12061000F
R126	0699-0555	1	RESISTOR 100 +-0.1% .3W MF TC=0+-5	05524	VSR 100R .1%
R127	0698-7205	1	RESISTOR 51.1 +-1% .05W TF TC=0+-100	05524	CMF-5051R1FT-1'
R128	0699-1363	1	RESISTOR 61.9 +-1% .125W TKF TC=0+-100	05524	CRCW120661R9F
R129	0699-1391	1	RESISTOR 10K +-1% .125W TKF TC=0+-100	05524	CRCW12061002F
R130	0699-1415	1	RESISTOR 100 +-1% .125W TKF TC=0+-100	05524	CRCW12061000F
R131	0699-1434	1	RESISTOR 619 +-1% .125W TKF TC=0+-100	05524	CRCW12061960F
R132	0699-2105	1	RESISTOR 150K +-0.1% .125W TF TC=0+-5	33830	UXBA150K00B
R133	0699-1377	1	RESISTOR 2.37K +-1% .125W TKF TC=0+-100	09891	RK73H2BT2371F
R135	0699-1391	1	RESISTOR 10K +-1% .125W TKF TC=0+-100	05524	CRCW12061002F
R137	0699-2841	1	RESISTOR 9K +-0.1% .125W TF TC=0+-25	02499	W1206R039001BT
R138	0699-2827	1	RESISTOR 900 +-0.1% .125W TF TC=0+-25	02499	W1206R039000BT
R139	0699-2488	1	RESISTOR 100 +-0.1% .125W TF TC=0+-25	02499	W1206R031000BT
R141	0699-1386	1	RESISTOR 5.62K +-1% .125W TKF TC=0+-100	09891	RK73H2BT5621F
R142	0699-1405	1	RESISTOR 38.3K +-1% .125W TKF TC=0+-100	05524	CRCW12063832F
R143	0699-1445	1	RESISTOR 215K +-1% .125W TKF TC=0+-100	05524	CRCW12062153F
R146	0699-2484	1	RESISTOR 50K +-0.1% .125W TF TC=0+-25	01172	BLU-1206 50K .1% 25PPM
R162	0699-1423	1	RESISTOR 215 +-1% .125W TKF TC=0+-100	05524	CRCW12062150F
R164	0699-1421	1	RESISTOR 178 +-1% .125W TKF TC=0+-100	09891	RK73H2BT1780F
R165	0699-1421	1	RESISTOR 178 +-1% .125W TKF TC=0+-100	09891	RK73H2BT1780F
R166	0699-1453	1	RESISTOR 464K +-1% .125W TKF TC=0+-100	00746	MCR18-F-4643
R167	0699-1456	1	RESISTOR 562K +-1% .125W TKF TC=0+-100	09891	RK73H2BT5623F
R170	0699-1372	1	RESISTOR 1.47K +-1% .125W TKF TC=0+-100	00746	MCR18-F-1471
R171	0699-1372	1	RESISTOR 1.47K +-1% .125W TKF TC=0+-100	00746	MCR18-F-1471
R172	0699-1379	1	RESISTOR 2.87K +-1% .125W TKF TC=0+-100	00746	MCR18-F-2871
R173	0699-1379	1	RESISTOR 2.87K +-1% .125W TKF TC=0+-100	00746	MCR18-F-2871
R175	0699-1503	1	RESISTOR 0 CWM	05524	CRCW1206000
R180	0699-1415	1	RESISTOR 100 +-1% .125W TKF TC=0+-100	05524	CRCW12061000F
R181	0699-1435	1	RESISTOR 681 +-1% .125W TKF TC=0+-100	09891	RK73H2BT6810F
R186	0699-1396	1	RESISTOR 17.8K +-1% .125W TKF TC=0+-100	05524	CRCW12061782F

*Indicates factory-selected value

CLIP 08563-90080 13

Scans by ArtekMedia => 2009

HP Part Number 08561-60055
Frequency Control (continued)

Reference Designator	HP Part Number	Qty	Description	Mfr Code	Mfr Part Number
R187	0699-1337	1	RESISTOR 383K +-1% .125W TKF TC=0+-100	09891	RK73H2BT3833F
R188	0699-1400	1	RESISTOR 26.1K +-1% .125W TKF TC=0+-100	05524	CRCW12062612F
R189	0699-1404	1	RESISTOR 34.8K +-1% .125W TKF TC=0+-100	09891	RK73H2BT3482F
R194	0699-1415	1	RESISTOR 100 +-1% .125W TKF TC=0+-100	05524	CRCW12061000F
R197	0699-1344	1	RESISTOR 10 +-1% .125W TKF TC=0+-100	09891	RK73H2BT10R0F
R201	0699-1361	1	RESISTOR 51.1 +-1% .125W TKF TC=0+-100	05524	CRCW120651R1F
R202	0699-1432	1	RESISTOR 511 +-1% .125W TKF TC=0+-100	00746	MCR18-F-5110
R203	0699-1385	1	RESISTOR 5.11K +-1% .125W TKF TC=0+-100	05524	CRCW12065111F
R204	0699-1376	1	RESISTOR 2.15K +-1% .125W TKF TC=0+-100	09891	RK73H2BT2151F
R205	0699-1415	1	RESISTOR 100 +-1% .125W TKF TC=0+-100	05524	CRCW12061000F
R206	0699-1365	1	RESISTOR 75 +-1% .125W TKF TC=0+-100	05524	CRCW120675R0F
R207	0699-1361	1	RESISTOR 51.1 +-1% .125W TKF TC=0+-100	05524	CRCW120651R1F
R209	0699-1391	1	RESISTOR 10K +-1% .125W TKF TC=0+-100	05524	CRCW12061002F
R211	0699-1384	1	RESISTOR 4.64K +-1% .125W TKF TC=0+-100	09891	RK73H2BT4641F
R212	0699-1384	1	RESISTOR 4.64K +-1% .125W TKF TC=0+-100	09891	RK73H2BT4641F
R214	0699-1377	1	RESISTOR 2.37K +-1% .125W TKF TC=0+-100	09891	RK73H2BT2371F
R216	0699-1434	1	RESISTOR 619 +-1% .125W TKF TC=0+-100	05524	CRCW12061960F
R217	0699-1377	1	RESISTOR 2.37K +-1% .125W TKF TC=0+-100	09891	RK73H2BT2371F
R219	0699-1434	1	RESISTOR 619 +-1% .125W TKF TC=0+-100	05524	CRCW12061960F
R220	0699-1434	1	RESISTOR 619 +-1% .125W TKF TC=0+-100	05524	CRCW12061960F
R221	0699-1376	1	RESISTOR 2.15K +-1% .125W TKF TC=0+-100	09891	RK73H2BT2151F
R223	0699-1432	1	RESISTOR 511 +-1% .125W TKF TC=0+-100	00746	MCR18-F-5110
R224	0699-1369	1	RESISTOR 1.1K +-1% .125W TKF TC=0+-100	05524	CRCW12061101F
R225	0699-1376	1	RESISTOR 2.15K +-1% .125W TKF TC=0+-100	09891	RK73H2BT2151F
R226	0699-1384	1	RESISTOR 4.64K +-1% .125W TKF TC=0+-100	09891	RK73H2BT4641F
R230	0699-1434	1	RESISTOR 619 +-1% .125W TKF TC=0+-100	05524	CRCW12061960F
R231	0699-1392	1	RESISTOR 11K +-1% .125W TKF TC=0+-100	05524	CRCW12061102F
R232	0699-1362	1	RESISTOR 56.2 +-1% .125W TKF TC=0+-100	00746	MCR18-F-56R2
R233	0699-1385	1	RESISTOR 5.11K +-1% .125W TKF TC=0+-100	05524	CRCW12065111F
R234	0699-1361	1	RESISTOR 51.1 +-1% .125W TKF TC=0+-100	05524	CRCW120651R1F
R235	0699-1361	1	RESISTOR 51.1 +-1% .125W TKF TC=0+-100	05524	CRCW120651R1F
R236	0699-1391	1	RESISTOR 10K +-1% .125W TKF TC=0+-100	05524	CRCW12061002F
R237	0699-1396	1	RESISTOR 17.8K +-1% .125W TKF TC=0+-100	05524	CRCW12061782F
R238	0699-1378	1	RESISTOR 2.61K +-1% .125W TKF TC=0+-100	09891	RK73H2BT2611F
R239	0699-1387	1	RESISTOR 6.81K +-1% .125W TKF TC=0+-100	05524	CRCW12066811F

**HP Part Number 08561-60055
Frequency Control (continued)**

Reference Designator	HP Part Number	Qty	Description	Mfr Code	Mfr Part Number
R240	0699-1503	1	RESISTOR 0 CWM	05524	CRCW1206000
R241	0699-1785	1	RESISTOR 13.3K +-1% .125W TKF TC=0+-100	05524	CRCW12061332F
R242	0699-1377	1	RESISTOR 2.37K +-1% .125W TKF TC=0+-100	09891	RK73H2BT2371F
R243	0699-1444	1	RESISTOR 178K +-1% .125W TKF TC=0+-100	05524	CRCW12061783F
R244	0699-1319	1	RESISTOR 12.1K +-1% .125W TKF TC=0+-100	09891	RK73H2BT1212F
R245	0699-1372	1	RESISTOR 1.47K +-1% .125W TKF TC=0+-100	00746	MCR18-F-1471
R246	0699-1415	1	RESISTOR 100 +-1% .125W TKF TC=0+-100	05524	CRCW12061000F
R247	0699-1374	1	RESISTOR 1.78K +-1% .125W TKF TC=0+-100	09891	RK73H2BT1781F
R248	0699-1423	1	RESISTOR 215 +-1% .125W TKF TC=0+-100	05524	CRCW12062150F
R249	0699-1356	1	RESISTOR 31.6 +-1% .25W TKF TC=0+-100	09891	RK73H2BT31R6F
R250	0699-1351	1	RESISTOR 19.6 +-1% .125W TKF TC=0+-100	05524	CRCW120619R6F
R251	0699-1366	1	RESISTOR 82.5 +-1% .125W TKF TC=0+-100	05524	CRCW120682R5F
R253	0699-1366	1	RESISTOR 82.5 +-1% .125W TKF TC=0+-100	05524	CRCW120682R5F
R254	0699-1364	1	RESISTOR 68.1 +-1% .125W TKF TC=0+-100	05524	CRCW120668R1F
R255	0699-1364	1	RESISTOR 68.1 +-1% .125W TKF TC=0+-100	05524	CRCW120668R1F
R256	0699-1364	1	RESISTOR 68.1 +-1% .125W TKF TC=0+-100	05524	CRCW120668R1F
R257	0699-1364	1	RESISTOR 68.1 +-1% .125W TKF TC=0+-100	05524	CRCW120668R1F
R258	0699-1363	1	RESISTOR 61.9 +-1% .125W TKF TC=0+-100	05524	CRCW120661R9F
R259	0699-1363	1	RESISTOR 61.9 +-1% .125W TKF TC=0+-100	05524	CRCW120661R9F
R260	0699-1363	1	RESISTOR 61.9 +-1% .125W TKF TC=0+-100	05524	CRCW120661R9F
R261	0699-1363	1	RESISTOR 61.9 +-1% .125W TKF TC=0+-100	05524	CRCW120661R9F
R262	0699-1363	1	RESISTOR 61.9 +-1% .125W TKF TC=0+-100	05524	CRCW120661R9F
R263	0699-1351	1	RESISTOR 19.6 +-1% .125W TKF TC=0+-100	05524	CRCW120619R6F
R264	0699-1318	1	RESISTOR 1K +-1% .125W TKF TC=0+-100	00746	MCR18-F-1001
R265	0699-1418	1	RESISTOR 133 +-1% .125W TKF TC=0+-100	05524	CRCW12061330F
R266	0699-1359	1	RESISTOR 42.2 +-1% .125W TKF TC=0+-100	05524	CRCW120642R2F
R267	0699-1418	1	RESISTOR 133 +-1% .125W TKF TC=0+-100	05524	CRCW12061330F
R268	0699-1322	1	RESISTOR 68.1K +-1% .125W TKF TC=0+-100	09891	RK73H2BT6812F
R269	0699-1320	1	RESISTOR 19.6K +-1% .125W TKF TC=0+-100	09891	RK73H2BT1962F
R270	0699-1320	1	RESISTOR 19.6K +-1% .125W TKF TC=0+-100	09891	RK73H2BT1962F
R271	0699-1431	1	RESISTOR 464 +-1% .125W TKF TC=0+-100	05524	CRCW12064640F
R272	0699-1431	1	RESISTOR 464 +-1% .125W TKF TC=0+-100	05524	CRCW12064640F
R273	0699-1347	1	RESISTOR 13.3 +-1% .125W TKF TC=0+-100	09891	RK73H2BT13R3F
R274	0699-1391	1	RESISTOR 10K +-1% .125W TKF TC=0+-100	05524	CRCW12061002F
R275	0699-1366	1	RESISTOR 82.5 +-1% .125W TKF TC=0+-100	05524	CRCW120682R5F

**Indicates factory-selected value*

CLIP 08563-90080 15

Scans by ArtekMedia => 2009

HP Part Number 08561-60055
Frequency Control (continued)

Reference Designator	HP Part Number	Qty	Description	Mfr Code	Mfr Part Number
R276	0699-1416	1	RESISTOR 110 +-1% .125W TKF TC=0+-100	05524	CRCW12061100F
R277	0699-1416	1	RESISTOR 110 +-1% .125W TKF TC=0+-100	05524	CRCW12061100F
R278	0699-1366	1	RESISTOR 82.5 +-1% .125W TKF TC=0+-100	05524	CRCW120682R5F
R279	0699-1417	1	RESISTOR 121 +-1% .125W TKF TC=0+-100	09891	RK73H2BT1210F
R280	0699-1417	1	RESISTOR 121 +-1% .125W TKF TC=0+-100	09891	RK73H2BT1210F
R281	0699-1417	1	RESISTOR 121 +-1% .125W TKF TC=0+-100	09891	RK73H2BT1210F
R282	0699-1417	1	RESISTOR 121 +-1% .125W TKF TC=0+-100	09891	RK73H2BT1210F
R283	0699-1417	1	RESISTOR 121 +-1% .125W TKF TC=0+-100	09891	RK73H2BT1210F
R284	0699-1359	1	RESISTOR 42.2 +-1% .125W TKF TC=0+-100	05524	CRCW120642R2F
R285	0699-1417	1	RESISTOR 121 +-1% .125W TKF TC=0+-100	09891	RK73H2BT1210F
R286	0699-1417	1	RESISTOR 121 +-1% .125W TKF TC=0+-100	09891	RK73H2BT1210F
R287	0699-1417	1	RESISTOR 121 +-1% .125W TKF TC=0+-100	09891	RK73H2BT1210F
R288	0699-1417	1	RESISTOR 121 +-1% .125W TKF TC=0+-100	09891	RK73H2BT1210F
R289	0699-1417	1	RESISTOR 121 +-1% .125W TKF TC=0+-100	09891	RK73H2BT1210F
R293	0699-1355	1	RESISTOR 28.7 +-1% .125W TKF TC=0+-100	09891	RK73H2BT28R7F
R294	0699-1363	1	RESISTOR 61.9 +-1% .125W TKF TC=0+-100	05524	CRCW120661R9F
R295	0699-1425	1	RESISTOR 261 +-1% .125W TKF TC=0+-100	00746	MCR18-F-2610
R296	0699-1318	1	RESISTOR 1K +-1% .125W TKF TC=0+-100	00746	MCR18-F-1001
R297	0699-1318	1	RESISTOR 1K +-1% .125W TKF TC=0+-100	00746	MCR18-F-1001
R298	0699-1318	1	RESISTOR 1K +-1% .125W TKF TC=0+-100	00746	MCR18-F-1001
R313	0699-1327	1	RESISTOR 1M +-1% .125W TKF TC=0+-100	09891	RK73H2BT1004F
R314	0699-1444	1	RESISTOR 178K +-1% .125W TKF TC=0+-100	05524	CRCW12061783F
R321	0699-1391	1	RESISTOR 10K +-1% .125W TKF TC=0+-100	05524	CRCW12061002F
R322	0699-1391	1	RESISTOR 10K +-1% .125W TKF TC=0+-100	05524	CRCW12061002F
R323	0699-1391	1	RESISTOR 10K +-1% .125W TKF TC=0+-100	05524	CRCW12061002F
R324	0699-1391	1	RESISTOR 10K +-1% .125W TKF TC=0+-100	05524	CRCW12061002F
R331	0699-1327	1	RESISTOR 1M +-1% .125W TKF TC=0+-100	09891	RK73H2BT1004F
R332	0699-1327	1	RESISTOR 1M +-1% .125W TKF TC=0+-100	09891	RK73H2BT1004F
R333	0699-1387	1	RESISTOR 6.81K +-1% .125W TKF TC=0+-100	05524	CRCW12066811F
R334	0699-1385	1	RESISTOR 5.11K +-1% .125W TKF TC=0+-100	05524	CRCW12065111F
R335	0699-1406	1	RESISTOR 42.2K +-1% .125W TKF TC=0+-100	00746	MCR18-F-4222
R336	0699-1406	1	RESISTOR 42.2K +-1% .125W TKF TC=0+-100	00746	MCR18-F-4222
R337	0699-1398	1	RESISTOR 21.5K +-1% .125W TKF TC=0+-100	05524	CRCW12062152F
R338	0699-1327	1	RESISTOR 1M +-1% .125W TKF TC=0+-100	09891	RK73H2BT1004F
R339	0699-1444	1	RESISTOR 178K +-1% .125W TKF TC=0+-100	05524	CRCW12061783F

**HP Part Number 08561-60055
Frequency Control (continued)**

Reference Designator	HP Part Number	Qty	Description	Mfr Code	Mfr Part Number
R400	0699-1391	1	RESISTOR 10K +-1% .125W TKF TC=0+-100	05524	CRCW12061002F
R401	0699-1391	1	RESISTOR 10K +-1% .125W TKF TC=0+-100	05524	CRCW12061002F
R402	0699-1391	1	RESISTOR 10K +-1% .125W TKF TC=0+-100	05524	CRCW12061002F
R403	0699-1391	1	RESISTOR 10K +-1% .125W TKF TC=0+-100	05524	CRCW12061002F
R404	0699-1391	1	RESISTOR 10K +-1% .125W TKF TC=0+-100	05524	CRCW12061002F
R405	0699-1391	1	RESISTOR 10K +-1% .125W TKF TC=0+-100	05524	CRCW12061002F
R406	0699-1391	1	RESISTOR 10K +-1% .125W TKF TC=0+-100	05524	CRCW12061002F
R407	1810-1065	1	NET-RES 15 1.0K OHM 16-PIN	05524	SOMC-16-01-102G
R410	0699-1348	1	RESISTOR 14.7 +-1% .125W TKF TC=0+-100	05524	CRCW120614R7F
R411	0699-1904	1	RESISTOR 1.62K +-1% .125W TKF TC=0+-100	05524	CRCW12061621F
R412	1810-1130	1	NET-RES 4 47.0K OHM 8-PIN	03744	4308R-OB9-473
R413	1810-1360	1	NET-RES 8 10.0K OHM 16-PIN	05524	SOMC-1603-103G
R426	1810-1360	1	NET-RES 8 10.0K OHM 16-PIN	05524	SOMC-1603-103G
R428	1810-0406	1	NET-RES 4 10.0K OHM 8-PIN	02483	750-83-R10K
R450	0699-1419	1	RESISTOR 147 +-1% .125W TKF TC=0+-100	05524	CRCW12061470F
R530	0699-1416	1	RESISTOR 110 +-1% .125W TKF TC=0+-100	05524	CRCW12061100F
R531	0699-1416	1	RESISTOR 110 +-1% .125W TKF TC=0+-100	05524	CRCW12061100F
R532	0699-1416	1	RESISTOR 110 +-1% .125W TKF TC=0+-100	05524	CRCW12061100F
R533	0699-1416	1	RESISTOR 110 +-1% .125W TKF TC=0+-100	05524	CRCW12061100F
R534	0699-1361	1	RESISTOR 51.1 +-1% .125W TKF TC=0+-100	05524	CRCW120651R1F
R535	0699-1361	1	RESISTOR 51.1 +-1% .125W TKF TC=0+-100	05524	CRCW120651R1F
R536	0699-1416	1	RESISTOR 110 +-1% .125W TKF TC=0+-100	05524	CRCW12061100F
R537	0699-1416	1	RESISTOR 110 +-1% .125W TKF TC=0+-100	05524	CRCW12061100F
R538	0699-1361	1	RESISTOR 51.1 +-1% .125W TKF TC=0+-100	05524	CRCW120651R1F
R539	0699-1361	1	RESISTOR 51.1 +-1% .125W TKF TC=0+-100	05524	CRCW120651R1F
R540	0699-1361	1	RESISTOR 51.1 +-1% .125W TKF TC=0+-100	05524	CRCW120651R1F
R541	0699-1361	1	RESISTOR 51.1 +-1% .125W TKF TC=0+-100	05524	CRCW120651R1F
R542	0699-1415	1	RESISTOR 100 +-1% .125W TKF TC=0+-100	05524	CRCW12061000F
R543	0699-1415	1	RESISTOR 100 +-1% .125W TKF TC=0+-100	05524	CRCW12061000F
R544	0699-1361	1	RESISTOR 51.1 +-1% .125W TKF TC=0+-100	05524	CRCW120651R1F
R545	0699-1427	1	RESISTOR 316 +-1% .125W TKF TC=0+-100	09891	RK73H2BT3160F
R546	0699-1427	1	RESISTOR 316 +-1% .125W TKF TC=0+-100	09891	RK73H2BT3160F
R547	0699-1427	1	RESISTOR 316 +-1% .125W TKF TC=0+-100	09891	RK73H2BT3160F
R548	0699-1427	1	RESISTOR 316 +-1% .125W TKF TC=0+-100	09891	RK73H2BT3160F
R550	0699-1408	1	RESISTOR 51.1K +-1% .125W TKF TC=0+-100	05524	CRCW12065112F

**Indicates factory-selected value*

CLIP 08563-90080 17

Scans by ArtekMedia => 2009

HP Part Number 08561-60055
Frequency Control (continued)

Reference Designator	HP Part Number	Qty	Description	Mfr Code	Mfr Part Number
R551	0699-1408	1	RESISTOR 51.1K +-1% .125W TKF TC=0+-100	05524	CRCW12065112F
R552	0699-1427	1	RESISTOR 316 +-1% .125W TKF TC=0+-100	09891	RK73H2BT3160F
R553	0699-1427	1	RESISTOR 316 +-1% .125W TKF TC=0+-100	09891	RK73H2BT3160F
R554	0699-1415	1	RESISTOR 100 +-1% .125W TKF TC=0+-100	05524	CRCW12061000F
R555	0699-1448	1	RESISTOR 316K +-1% .125W TKF TC=0+-100	05524	CRCW12063163F
R556	0699-1414	1	RESISTOR 90.9K +-1% .125W TKF TC=0+-100	09891	RK73H2BT9092F
R563	0699-1361	1	RESISTOR 51.1 +-1% .125W TKF TC=0+-100	05524	CRCW120651R1F
R564	0699-1361	1	RESISTOR 51.1 +-1% .125W TKF TC=0+-100	05524	CRCW120651R1F
R570	0699-1318	1	RESISTOR 1K +-1% .125W TKF TC=0+-100	00746	MCR18-F-1001
R571	0699-1503	1	RESISTOR 0 CWM	05524	CRCW1206000
R580	0699-1417	1	RESISTOR 121 +-1% .125W TKF TC=0+-100	09891	RK73H2BT1210F
R585	0699-1366	1	RESISTOR 82.5 +-1% .125W TKF TC=0+-100	05524	CRCW120682R5F
R586	0699-1361	1	RESISTOR 51.1 +-1% .125W TKF TC=0+-100	05524	CRCW120651R1F
R587	0699-1361	1	RESISTOR 51.1 +-1% .125W TKF TC=0+-100	05524	CRCW120651R1F
R588	0699-1361	1	RESISTOR 51.1 +-1% .125W TKF TC=0+-100	05524	CRCW120651R1F
R590	0699-1361	1	RESISTOR 51.1 +-1% .125W TKF TC=0+-100	05524	CRCW120651R1F
R591	0699-1361	1	RESISTOR 51.1 +-1% .125W TKF TC=0+-100	05524	CRCW120651R1F
R592	0699-1385	1	RESISTOR 5.11K +-1% .125W TKF TC=0+-100	05524	CRCW12065111F
R593	0699-1385	1	RESISTOR 5.11K +-1% .125W TKF TC=0+-100	05524	CRCW12065111F
R601	0699-1391	1	RESISTOR 10K +-1% .125W TKF TC=0+-100	05524	CRCW12061002F
R602	0699-1391	1	RESISTOR 10K +-1% .125W TKF TC=0+-100	05524	CRCW12061002F
R603	0699-1391	1	RESISTOR 10K +-1% .125W TKF TC=0+-100	05524	CRCW12061002F
R604	0699-1391	1	RESISTOR 10K +-1% .125W TKF TC=0+-100	05524	CRCW12061002F
R619	0699-1377	1	RESISTOR 2.37K +-1% .125W TKF TC=0+-100	09891	RK73H2BT2371F
R621	0699-1374	1	RESISTOR 1.78K +-1% .125W TKF TC=0+-100	09891	RK73H2BT1781F
R622	0699-1430	1	RESISTOR 422 +-1% .125W TKF TC=0+-100	05524	CRCW12064220F
R623	0699-1434	1	RESISTOR 619 +-1% .125W TKF TC=0+-100	05524	CRCW12061960F
R624	0699-1318	1	RESISTOR 1K +-1% .125W TKF TC=0+-100	00746	MCR18-F-1001
R625	0699-1434	1	RESISTOR 619 +-1% .125W TKF TC=0+-100	05524	CRCW12061960F
R630	0699-1391	1	RESISTOR 10K +-1% .125W TKF TC=0+-100	05524	CRCW12061002F
R632	0699-1391	1	RESISTOR 10K +-1% .125W TKF TC=0+-100	05524	CRCW12061002F
R633	0699-1391	1	RESISTOR 10K +-1% .125W TKF TC=0+-100	05524	CRCW12061002F
R634	0699-1385	1	RESISTOR 5.11K +-1% .125W TKF TC=0+-100	05524	CRCW12065111F
R635	0699-1432	1	RESISTOR 511 +-1% .125W TKF TC=0+-100	00746	MCR18-F-5110
R638	0699-1503	1	RESISTOR 0 CWM	05524	CRCW1206000

**HP Part Number 08561-60055
Frequency Control (continued)**

Reference Designator	HP Part Number	Qty	Description	Mfr Code	Mfr Part Number
R700	0699-1405	1	RESISTOR 38.3K +-1% .125W TKF TC=0+-100	05524	CRCW12063832F
R701	0699-1391	1	RESISTOR 10K +-1% .125W TKF TC=0+-100	05524	CRCW12061002F
R702	0699-1330	1	RESISTOR 100K +-1% .125W TKF TC=0+-100	00746	MCR18-F-1003
R703	0699-1391	1	RESISTOR 10K +-1% .125W TKF TC=0+-100	05524	CRCW12061002F
R704	0699-1407	1	RESISTOR 46.4K +-1% .125W TKF TC=0+-100	05524	CRCW12064642F
R705	0699-1391	1	RESISTOR 10K +-1% .125W TKF TC=0+-100	05524	CRCW12061002F
R706	0699-1391	1	RESISTOR 10K +-1% .125W TKF TC=0+-100	05524	CRCW12061002F
R707	0699-1391	1	RESISTOR 10K +-1% .125W TKF TC=0+-100	05524	CRCW12061002F
R709	0699-1391	1	RESISTOR 10K +-1% .125W TKF TC=0+-100	05524	CRCW12061002F
R710	0699-1391	1	RESISTOR 10K +-1% .125W TKF TC=0+-100	05524	CRCW12061002F
R711	0699-1391	1	RESISTOR 10K +-1% .125W TKF TC=0+-100	05524	CRCW12061002F
R712	0699-1391	1	RESISTOR 10K +-1% .125W TKF TC=0+-100	05524	CRCW12061002F
R714	0699-1391	1	RESISTOR 10K +-1% .125W TKF TC=0+-100	05524	CRCW12061002F
R716	0699-1391	1	RESISTOR 10K +-1% .125W TKF TC=0+-100	05524	CRCW12061002F
R718	0699-1391	1	RESISTOR 10K +-1% .125W TKF TC=0+-100	05524	CRCW12061002F
R727	0699-1391	1	RESISTOR 10K +-1% .125W TKF TC=0+-100	05524	CRCW12061002F
R730	0699-1391	1	RESISTOR 10K +-1% .125W TKF TC=0+-100	05524	CRCW12061002F
TP11	1251-0600	1	CONNECTOR-SGL CONT PIN 1.14-MM-BSC-SZ SQ	03418	16-06-0034
TP12	1251-0600	1	CONNECTOR-SGL CONT PIN 1.14-MM-BSC-SZ SQ	03418	16-06-0034
TP13	1251-0600	1	CONNECTOR-SGL CONT PIN 1.14-MM-BSC-SZ SQ	03418	16-06-0034
TP21	1251-0600	1	CONNECTOR-SGL CONT PIN 1.14-MM-BSC-SZ SQ	03418	16-06-0034
U101	1820-7230	1	IC CNTR CMOS/HC BIN SYNCHRO	36633	MC74HC163ADR2
U102	1820-4966	1	IC FF CMOS/HC D-TYPE POS-EDGE-TRIG	01698	SN74HC74D
U103	1820-4692	1	IC GATE CMOS/HC NAND QUAD 2-INP	01698	SN74HC00D
U104	1826-1925	1	IC OP AMP LOW-NOISE SINGLE 8 PIN	03285	OP-27GS
U105	1826-1528	1	IC COMPARATOR LP QUAD 14 PIN PLSTC-SOIC	03406	LM339M
U106	1826-1925	1	IC OP AMP LOW-NOISE SINGLE 8 PIN	03285	OP-27GS
U107	1826-2175	1	IC RF/IF AMPL SINGLE 4 PIN U-WAVE-PILL	01542	MSA-0386-TR1
U108	5087-8040	1	IC 584P1DIVD	28480	5087-8040
U109	1826-2204	1	IC RF/IF AMPL SINGLE 4 PIN U-WAVE-PILL	01542	MSA-0686
U110	1826-2204	1	IC RF/IF AMPL SINGLE 4 PIN U-WAVE-PILL	01542	MSA-0686
U112	1821-4291	1	IC-ASIC CL-BSD CMOS 64046 PLCC	02037	SC64046FNR2
U113	1820-6472	1	IC-ASIC GT-ARY 18K GATES CMOS 140G18	06354	TC140G18AT-0001EZ
U114	1820-7310	1	IC CNTR ECL/10E BIN SYNCHRO	36633	MC10E016FN
U116	1826-0760	1	IC TEMP XDCR TO-92	03406	LM335AZ

**Indicates factory-selected value*

CLIP 08563-90080 19

Scans by ArtekMedia => 2009

HP Part Number 08561-60055
Frequency Control (continued)

Reference Designator	HP Part Number	Qty	Description	Mfr Code	Mfr Part Number
U117	1826-1862	1	IC OP AMP LOW-BIAS-H-IMPED DUAL 8 PIN	04078	TL072CD
U118	1826-1528	1	IC COMPARATOR LP QUAD 14 PIN PLSTC-SOIC	03406	LM339M
U119	08563-80015	1	PAL-PRGM U119	28480	08563-80015
U120	1820-5804	1	IC SHF-RGTR CMOS/HC SYNC/ASYNC	01698	SN74HC165D
U122	1826-1402	1	IC PWR MGT-V-REG-FXD-POS 4.8/5.2V 8 PINS	03406	LM78L05ACM
U123	1826-1402	1	IC PWR MGT-V-REG-FXD-POS 4.8/5.2V 8 PINS	03406	LM78L05ACM
U202	1820-5607	1	IC RCVR ECL/10KH LINE TPL	36633	MC10H116FN
U203	1820-6521	1	IC GATE ECL/10KH OR-NOR TPL 3-INP	36633	MC10H105FNR2
U204	1821-0616	1	IC DET 8 PIN PLSTC-SOIC	02037	MCK12140D
U207	1826-1925	1	IC OP AMP LOW-NOISE SINGLE 8 PIN	03285	OP-27GS
U301	1826-2405	1	D/A 8-BIT 20-PLCC CMOS	03285	AD7528KP
U302	1820-4215	1	IC DCDR-DEMURX CMOS/HC BIN 3-TO-8-LINE	02910	74HC138D
U303	1820-4215	1	IC DCDR-DEMURX CMOS/HC BIN 3-TO-8-LINE	02910	74HC138D
U304	1820-4215	1	IC DCDR-DEMURX CMOS/HC BIN 3-TO-8-LINE	02910	74HC138D
U305	1826-2147	1	ANALOG MULTIPLEXER 8 CHNL 16 -P-SOIC	02883	DG408DY
U306	1826-2149	1	ANALOG SWITCH 4 SPST 16 -P-SOIC	02883	DG444DY
U307	1826-1091	1	D/A 8-BIT 16-CERDIP BPLR	03285	DAC-08HQ
U308	1820-5752	1	IC FF CMOS/HC D-TYPE POS-EDGE-TRIG COM	02910	74HC574D
U309	1820-5752	1	IC FF CMOS/HC D-TYPE POS-EDGE-TRIG COM	02910	74HC574D
U310	1820-5752	1	IC FF CMOS/HC D-TYPE POS-EDGE-TRIG COM	02910	74HC574D
U311	1820-5476	1	IC DRVR CMOS/HCT LINE OCTL	02910	74HCT541D
U312	1826-2261	1	IC TEMP XDCR PRCN SINGLE 8 PIN	03406	LM35DM
U313	1820-5752	1	IC FF CMOS/HC D-TYPE POS-EDGE-TRIG COM	02910	74HC574D
U314	1826-2404	1	D/A 12-BIT 20-PLCC CMOS	03285	AD7542KP
U315	1826-2404	1	D/A 12-BIT 20-PLCC CMOS	03285	AD7542KP
U316	1826-2404	1	D/A 12-BIT 20-PLCC CMOS	03285	AD7542KP
U317	1826-0811	1	ANALOG SWITCH 4 SPST 16 -CERDIP	03285	SW-01FQ
U318	1826-2145	1	ANALOG SWITCH 4 SPST 16 -P-SOIC	02883	DG413DY
U319	1826-1572	1	IC COMPARATOR PRCN DUAL 8 PIN PLSTC-SOIC	02910	LM393D
U320	1826-2628	1	IC OP AMP PRCN SINGLE 8 PIN PLSTC-SOIC	03285	AD548JR
U321	1826-1402	1	IC PWR MGT-V-REG-FXD-POS 4.8/5.2V 8 PINS	03406	LM78L05ACM
U322	1826-1925	1	IC OP AMP LOW-NOISE SINGLE 8 PIN	03285	OP-27GS
U323	1826-1925	1	IC OP AMP LOW-NOISE SINGLE 8 PIN	03285	OP-27GS
U325	1826-1862	1	IC OP AMP LOW-BIAS-H-IMPED DUAL 8 PIN	04078	TL072CD
U326	1826-1988	1	ANALOG SWITCH 4 SPST 16 -P-SOIC	02883	DG212DY

**HP Part Number 08561-60055
Frequency Control (continued)**

Reference Designator	HP Part Number	Qty	Description	Mfr Code	Mfr Part Number
U327	1826-1925	1	IC OP AMP LOW-NOISE SINGLE 8 PIN	03285	OP-27GS
U328	1826-2403	1	IC OP AMP LP DUAL 8 PIN PLSTC-SOIC	36633	MC33178DR2
U329	1826-1862	1	IC OP AMP LOW-BIAS-H-IMPED DUAL 8 PIN	04078	TL072CD
U330	1826-1925	1	IC OP AMP LOW-NOISE SINGLE 8 PIN	03285	OP-27GS
U331	1826-1925	1	IC OP AMP LOW-NOISE SINGLE 8 PIN	03285	OP-27GS
U332	1826-1925	1	IC OP AMP LOW-NOISE SINGLE 8 PIN	03285	OP-27GS
U333	1826-1862	1	IC OP AMP LOW-BIAS-H-IMPED DUAL 8 PIN	04078	TL072CD
U334	1826-2420	1	IC OP AMP LP DUAL 8 PIN PLSTC-SOIC	03285	AD706JR
U335	1826-2403	1	IC OP AMP LP DUAL 8 PIN PLSTC-SOIC	36633	MC33178DR2
U402	1826-2403	1	IC OP AMP LP DUAL 8 PIN PLSTC-SOIC	36633	MC33178DR2
U403	1826-2403	1	IC OP AMP LP DUAL 8 PIN PLSTC-SOIC	36633	MC33178DR2
U404	1826-2403	1	IC OP AMP LP DUAL 8 PIN PLSTC-SOIC	36633	MC33178DR2
U405	1826-1925	1	IC OP AMP LOW-NOISE SINGLE 8 PIN	03285	OP-27GS
U406	1820-5752	1	IC FF CMOS/HC D-TYPE POS-EDGE-TRIG COM	02910	74HC574D
U408	1826-2405	1	D/A 8-BIT 20-PLCC CMOS	03285	AD7528KP
U409	1826-2405	1	D/A 8-BIT 20-PLCC CMOS	03285	AD7528KP
U410	1826-1862	1	IC OP AMP LOW-BIAS-H-IMPED DUAL 8 PIN	04078	TL072CD
U411	1826-1528	1	IC COMPARATOR LP QUAD 14 PIN PLSTC-SOIC	03406	LM339M
U414	1826-2403	1	IC OP AMP LP DUAL 8 PIN PLSTC-SOIC	36633	MC33178DR2
U415	1826-0811	1	ANALOG SWITCH 4 SPST 16 -CERDIP	03285	SW-01FQ
U416	1826-0811	1	ANALOG SWITCH 4 SPST 16 -CERDIP	03285	SW-01FQ
U417	1820-5752	1	IC FF CMOS/HC D-TYPE POS-EDGE-TRIG COM	02910	74HC574D
U418	1826-1925	1	IC OP AMP LOW-NOISE SINGLE 8 PIN	03285	OP-27GS
U419	1826-1687	1	IC PWR MGT-V-REF-FXD 9.95/10.05V 8 PINS	10858	LT1021DCS8-10
U420	1820-5802	1	IC INV CMOS/HC HEX	01698	SN74HC05D
U421	1826-1862	1	IC OP AMP LOW-BIAS-H-IMPED DUAL 8 PIN	04078	TL072CD
U423	1826-1925	1	IC OP AMP LOW-NOISE SINGLE 8 PIN	03285	OP-27GS
U425	1820-5752	1	IC FF CMOS/HC D-TYPE POS-EDGE-TRIG COM	02910	74HC574D
U427	1826-1528	1	IC COMPARATOR LP QUAD 14 PIN PLSTC-SOIC	03406	LM339M
U429	1826-1622	1	IC OP AMP LOW-BIAS-H-IMPED QUAD 14 PIN	01698	TL074CD
U436	1826-1619	1	D/A 8-BIT 20-PLCC CMOS	03285	AD7528JP
VR1	1902-0579	1	DIODE-ZNR 5.1V 5% PD=1W IR=10UA	02688	DZ810725N
VR2	1902-0951	1	DIODE-ZNR 5.1V 5% DO-35 PD=.4W TC=+.035%	36633	SZ30035-9RL
VR3	1902-0962	1	DIODE-ZNR 15V 5% DO-35 PD=.4W TC=+.087%	02688	1N965B
VR5	1902-0554	1	DIODE-ZNR 10V 5% PD=1W IR=10UA	02688	1N4740A

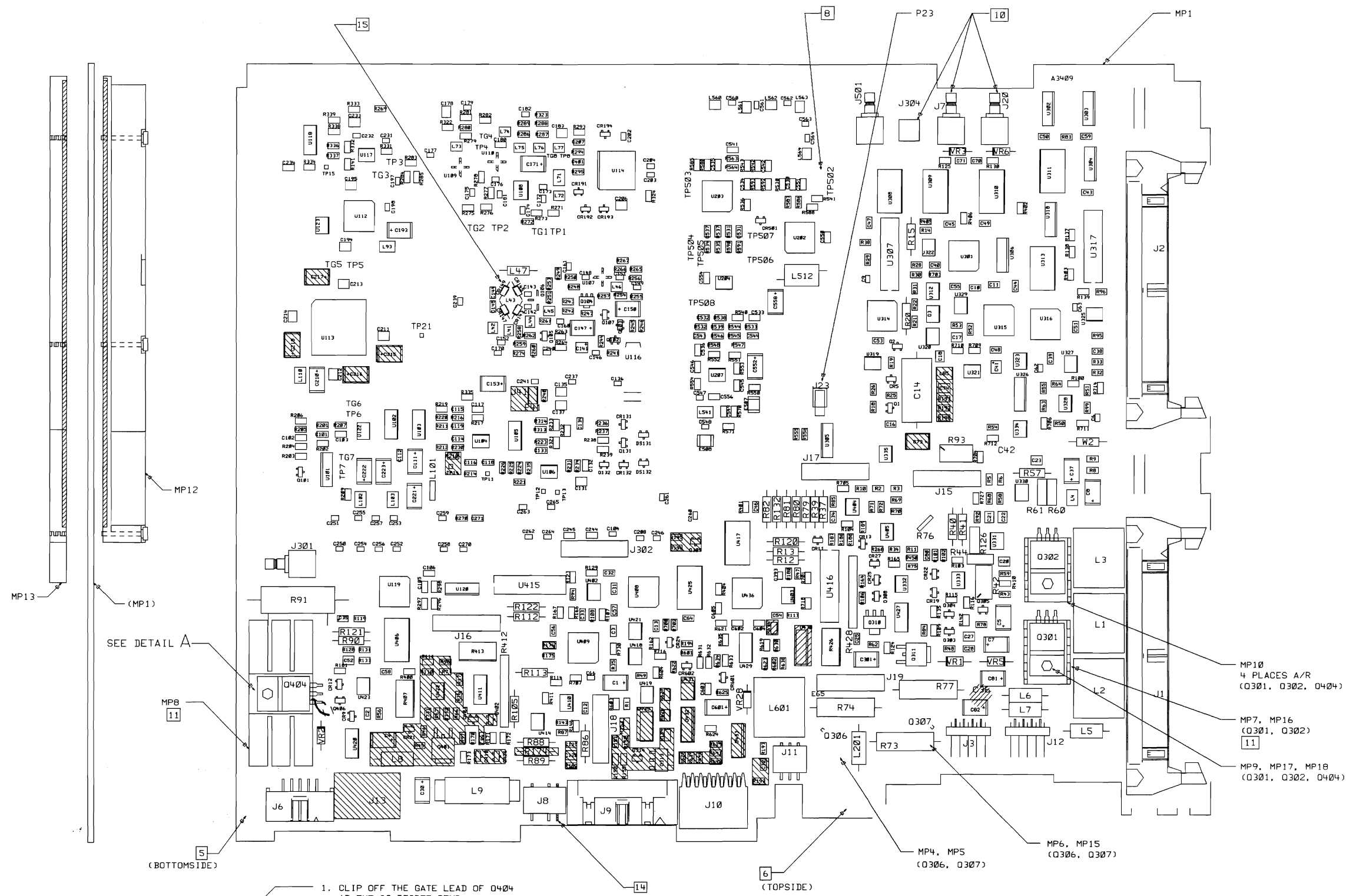
**Indicates factory-selected value*

CLIP 08563-90080 21

Scans by ArtekMedia => 2009

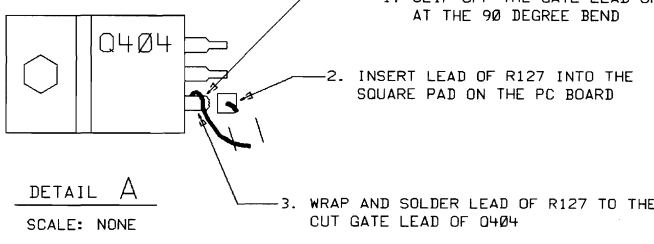
HP Part Number 08561-60055
Frequency Control (continued)

Reference Designator	HP Part Number	Qty	Description	Mfr Code	Mfr Part Number
VR6	1902-0962	1	DIODE-ZNR 15V 5% DO-35 PD=.4W TC=+.087%	02688	1N965B
VR28	1902-0952	1	DIODE-ZNR 5.6V 5% DO-35 PD=.4W TC=+.046%	02688	1N752AD035
W2	8159-0005	1	RESISTOR 0 CWM	02499	YZO 1/4



- NOTES: UNLESS OTHERWISE SPECIFIED
1. RAW BOARD PART NUMBER 08563-20040. SEE MATERIAL LIST 08561-60040.
 2. DIMENSIONS ARE IN INCHES
 3. MAXIMUM COMPONENT HEIGHT .400 UNDER SHIELD (MP12)
.470 ELSEWHERE
 4. MAXIMUM LEAD TRIM LENGTH .118
 5. BARCODE LOCATION.
 6. LABEL INDICATES THE FINAL ASSEMBLY SERIAL NUMBER.
 7. PART SPACINGS IN SOME AREAS VIOLATE REWORK GUIDELINES. REWORK OF SOME PARTS MAY REQUIRE REMOVAL OF ADJACENT PARTS.
 8. TPS02-TPS08 ARE TEST POINT HOLE PAIRS. NO PART IS LOADED IN THE PAIR OF HOLES. HOLE PAIRS MUST BE FREE OF SOLDER.
 9. SHIELD MATING SURFACES AND MOUNTING HOLES MUST BE FREE OF EXCESSIVE SOLDER.
 10. MAXIMUM LEAD TRIM LENGTH .050 INCHES (J7, J20, J304).
 11. .425 MAXIMUM HEIGHT ON HEATSINKS MP7, MP8 AND MP16.
 12. HATCHED COMPONENTS ARE NOT LOADED FOR THIS ASSEMBLY.
 13. MP12 AND MP13 ARE LOADED AT FINAL ASSEMBLY.
 14. REMOVE PIN 1 AND PIN 3 FROM J8 BEFORE LOADING.
 15. CR144, CR146, CR148 AND CR150 DIODES ARE MOUNTED ON THE BOTTOM SIDE OF THE PCB DIRECTLY UNDER CR143, CR145, CR147 AND CR149 RESPECTIVELY THE PCB DIRECTLY UNDER CR143, CR145, CR147 AND CR149 RESPECTIVELY.

SEE DETAIL A



TOP SIDE

SEE 08561-60055 MATERIAL LIST

AGILENT TECHNOLOGIES RESTRICTED
THIS DOCUMENT CONTAINS CONFIDENTIAL, PROPRIETARY INFORMATION THAT IS AGILENT TECHNOLOGIES PROPERTY. DO NOT DISCLOSE TO OR DUPLICATE FOR OTHERS EXCEPT AS AUTHORIZED BY AGILENT TECHNOLOGIES.

UNLESS OTHERWISE SPECIFIED, DIMENSIONS ARE IN INCHES.
TOLERANCES: XX.XXX ± .010
XX.XX ± .02
THIRD ANGLE PROJECTION
DO NOT SCALE THIS DRAWING

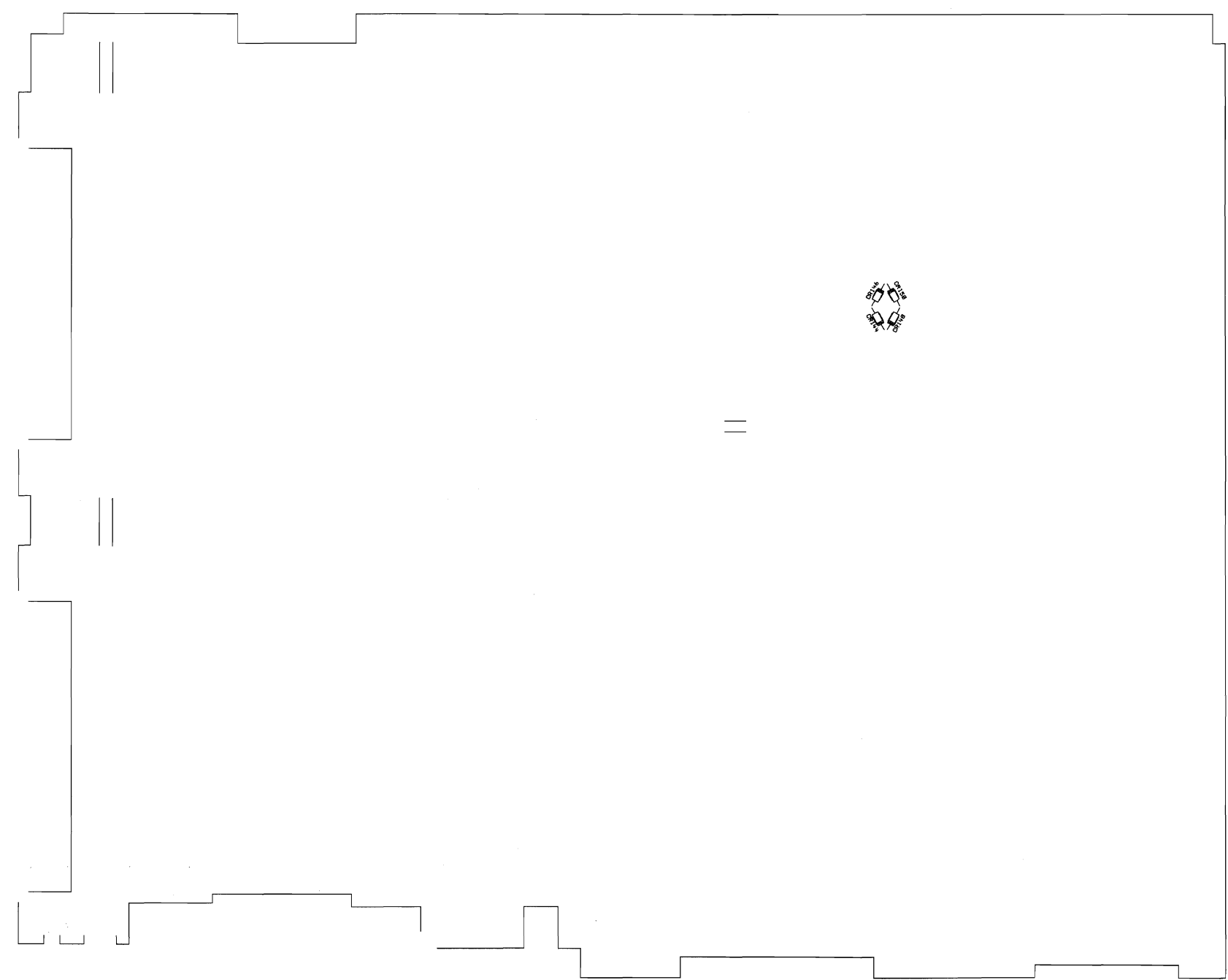
DRAWN BY	DATE
ENGINEER/CHECKER	DATE
RELEASE TO PROD.	DATE
SUPERSEDES DWG.	

ASSEMBLY, PWB
FREQ CONTROL

TITLE

FILENAME	a1aav055
SCALE	NONE
SHEET	1 OF 2
PART NUMBER	08561-60055
	D-08561-60055-2

5300		D-08561-60055-2	
SYM	REVISIONS	APPROVED	DATE
A	AS ISSUED PER PCO*5300-11897		
B	CHANGED PER PCO 53-13170 /KV		



BOTTOM SIDE

AGILENT TECHNOLOGIES
RESTRICTED
THIS DOCUMENT CONTAINS CONFIDENTIAL,
PROPRIETARY INFORMATION THAT IS
AGILENT TECHNOLOGIES PROPERTY. DO NOT
DISCLOSE TO OR DUPLICATE FOR OTHERS EXCEPT
AS AUTHORIZED BY AGILENT TECHNOLOGIES.

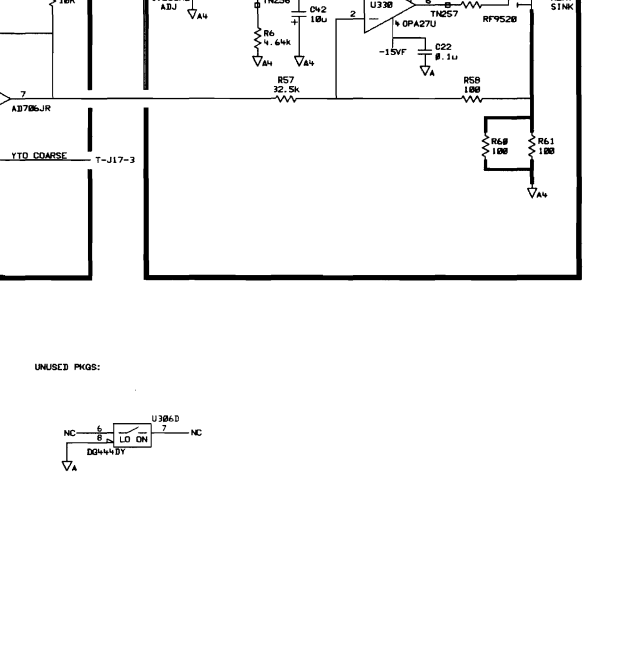
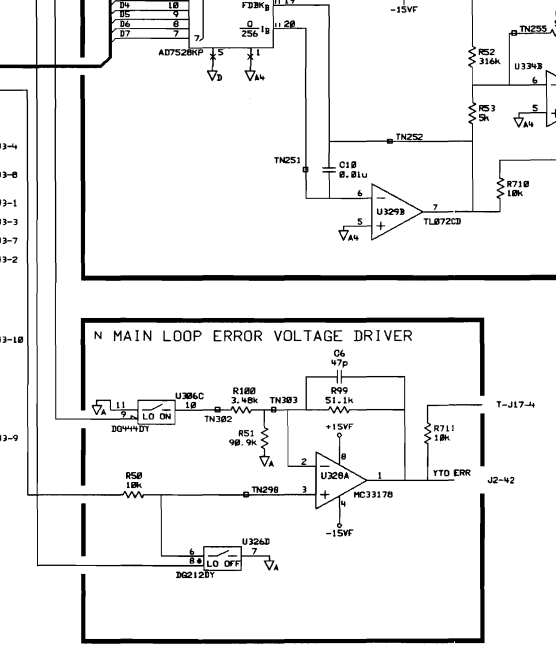
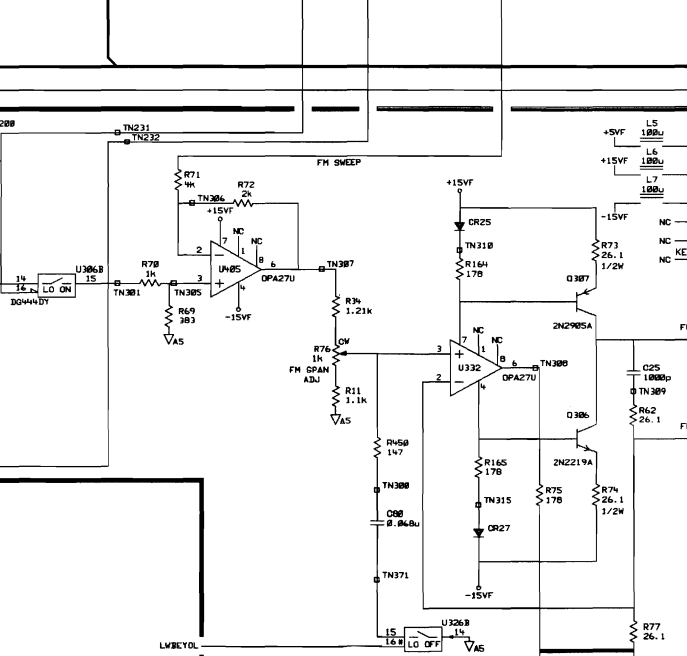
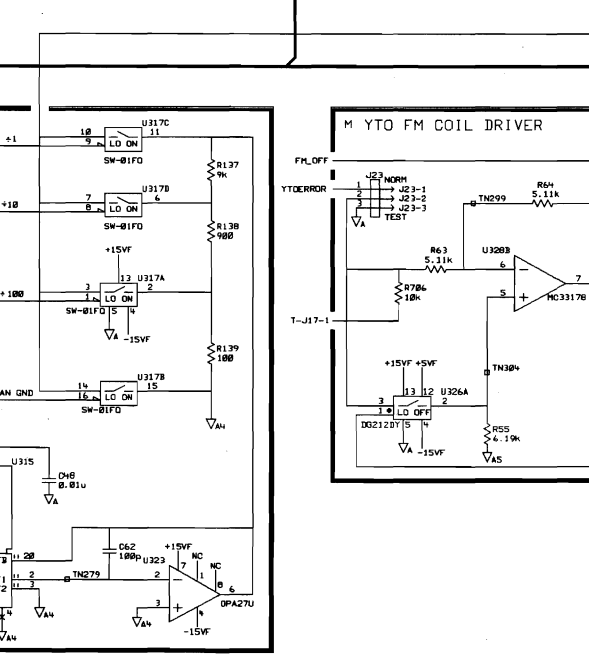
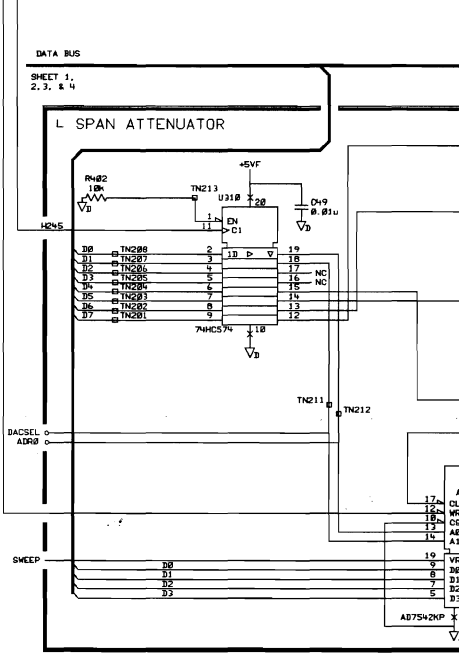
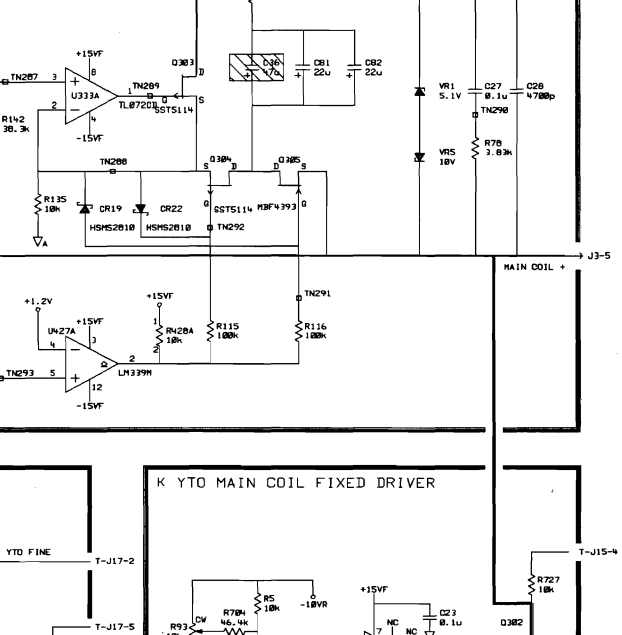
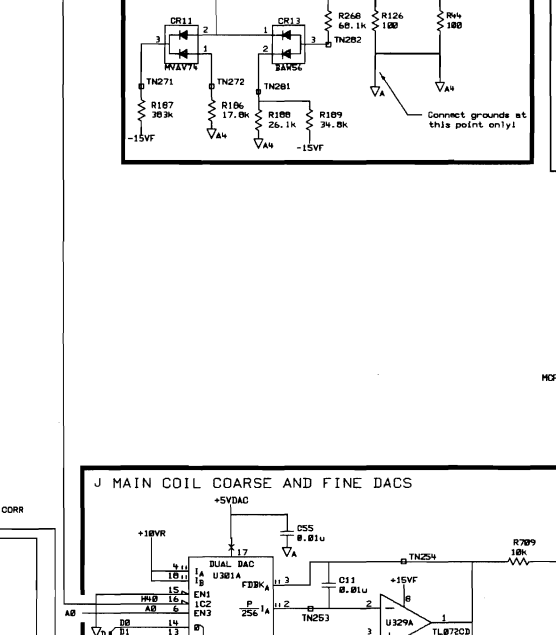
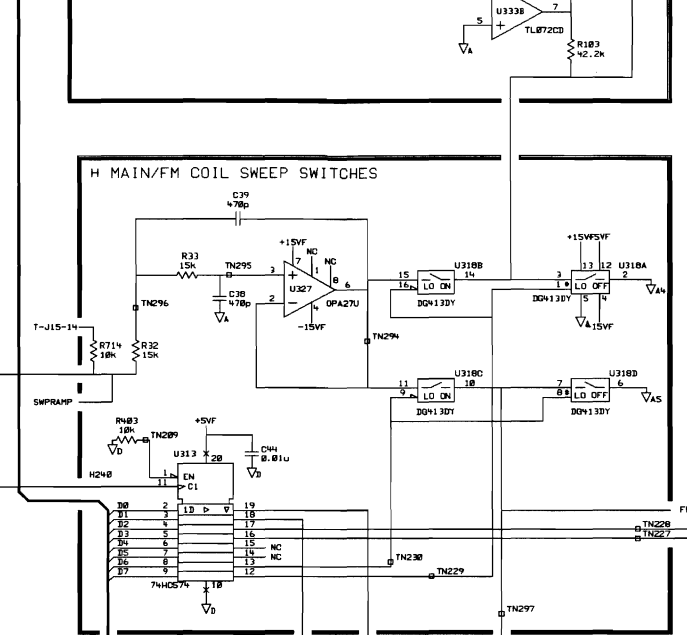
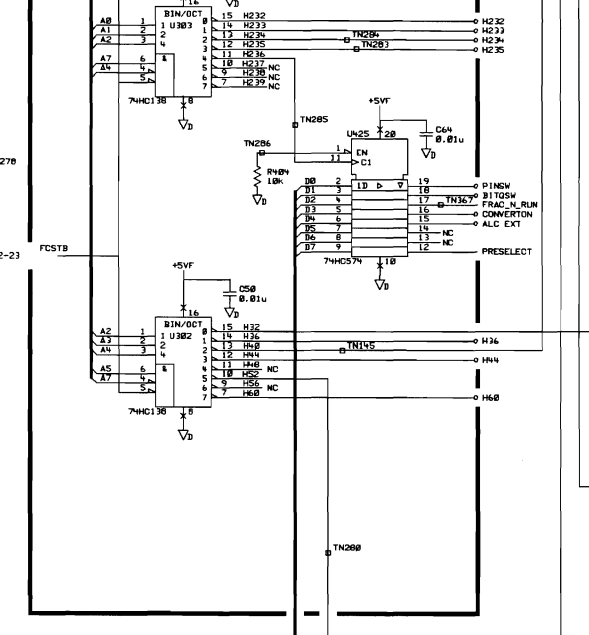
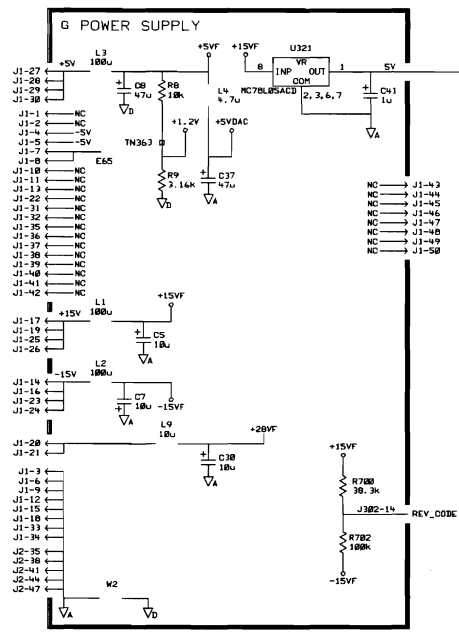
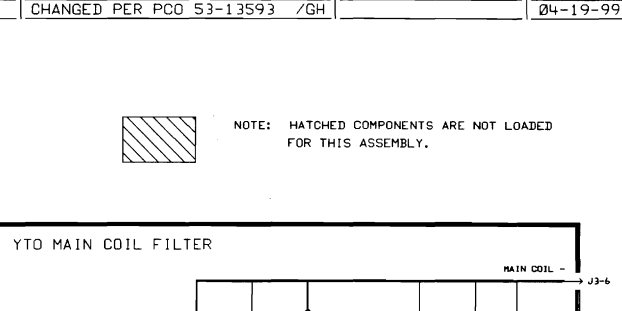
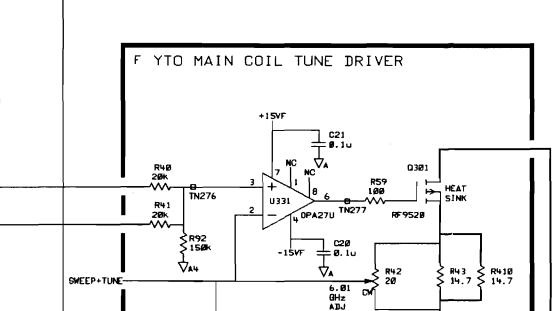
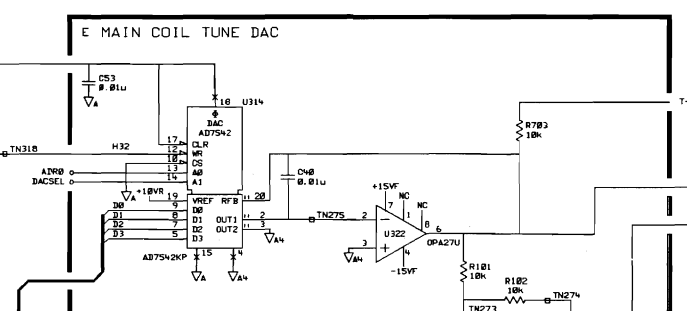
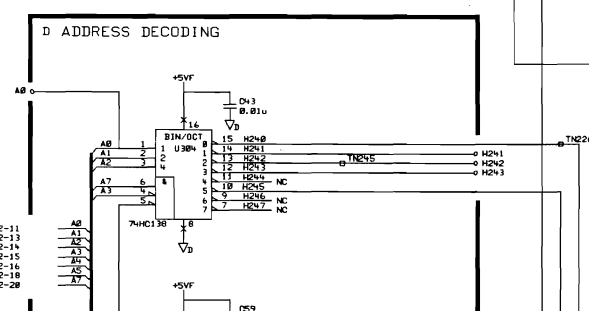
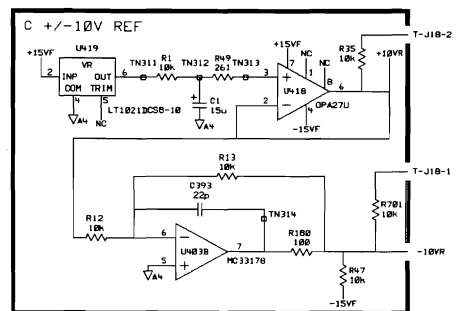
UNLESS OTHERWISE SPECIFIED,
DIMENSIONS ARE IN INCHES.
TOLERANCES: XX.XXX ±.010
 XX.XX ±.02
THIRD ANGLE
PROJECTION
DO NOT SCALE THIS DRAWING

DRAWN BY	DATE
ENGINEER/CHECKER	DATE
RELEASE TO PROD.	DATE
SUPERSEDES DWG.	

ASSEMBLY, PWB
FREQ CONTROL
TITLE

0600v055	Agilent Technologies
SCALE NONE	08561-60055
SHEET 2 OF 2	PART NUMBER
D-08561-60055-2	

5300	CA 3409	08561-60055-1
SYM	REVISIONS	APPROVED
A	AS ISSUED PER PCO#5300-11897	DATE
B	CH PER PCO 53-12859/13170 /KV	3-3-98
C	CHANGED PER PCO 53-13593 /GH	02-11-99
		04-19-99



NOTE: HATCHED COMPONENTS ARE NOT LOADED FOR THIS ASSEMBLY.

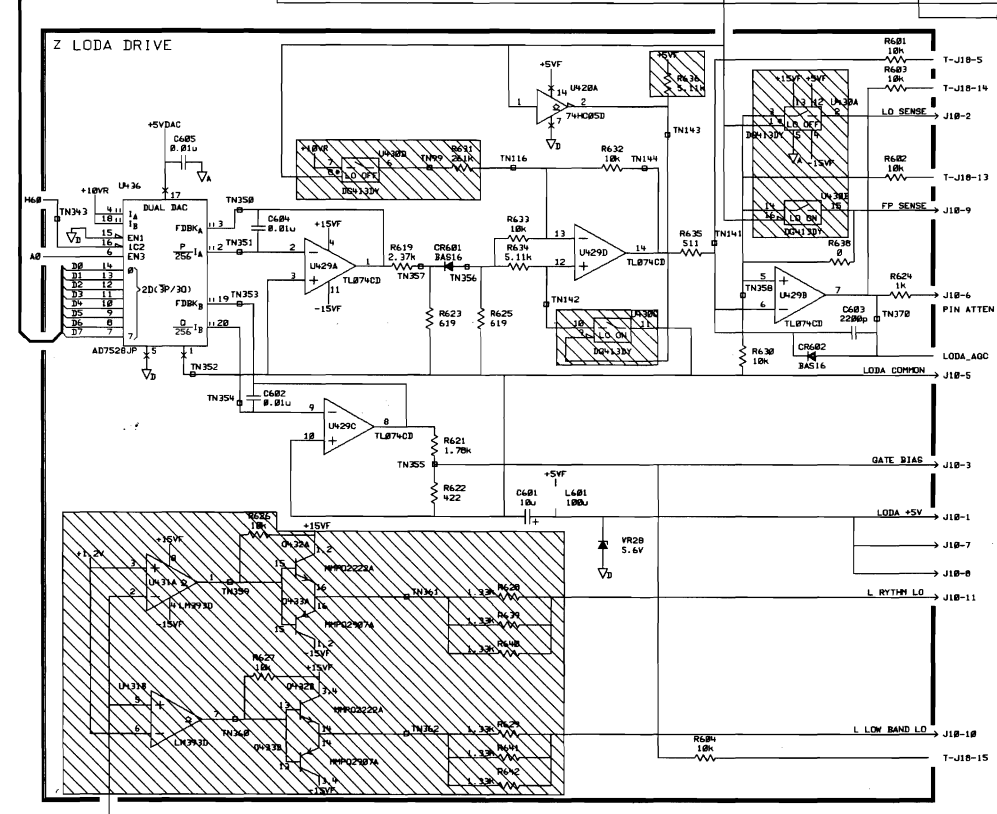
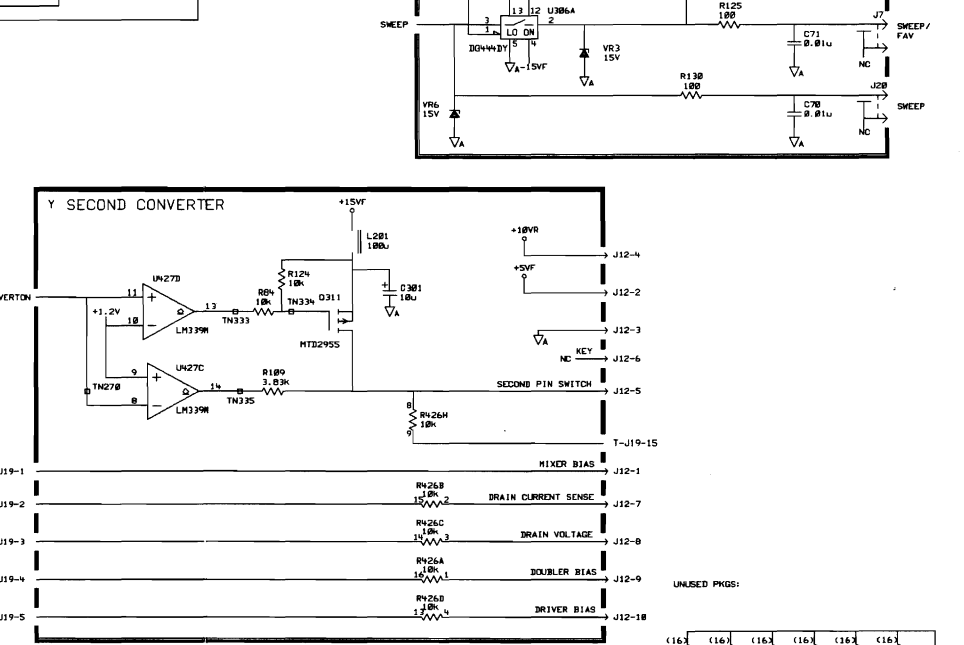
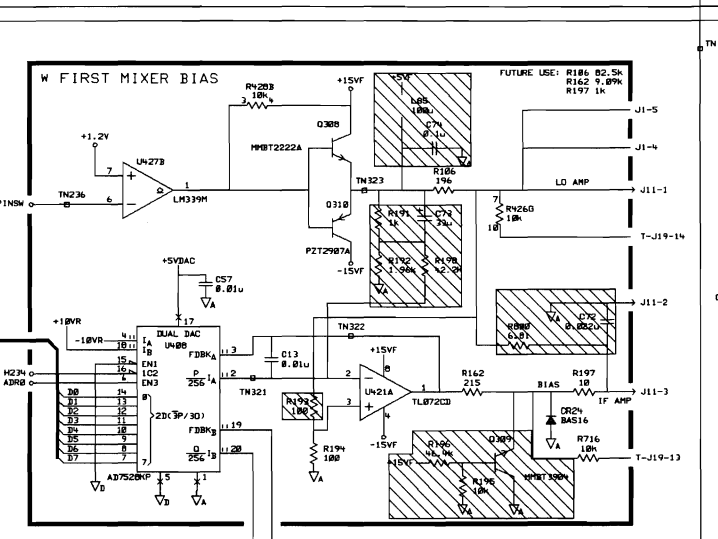
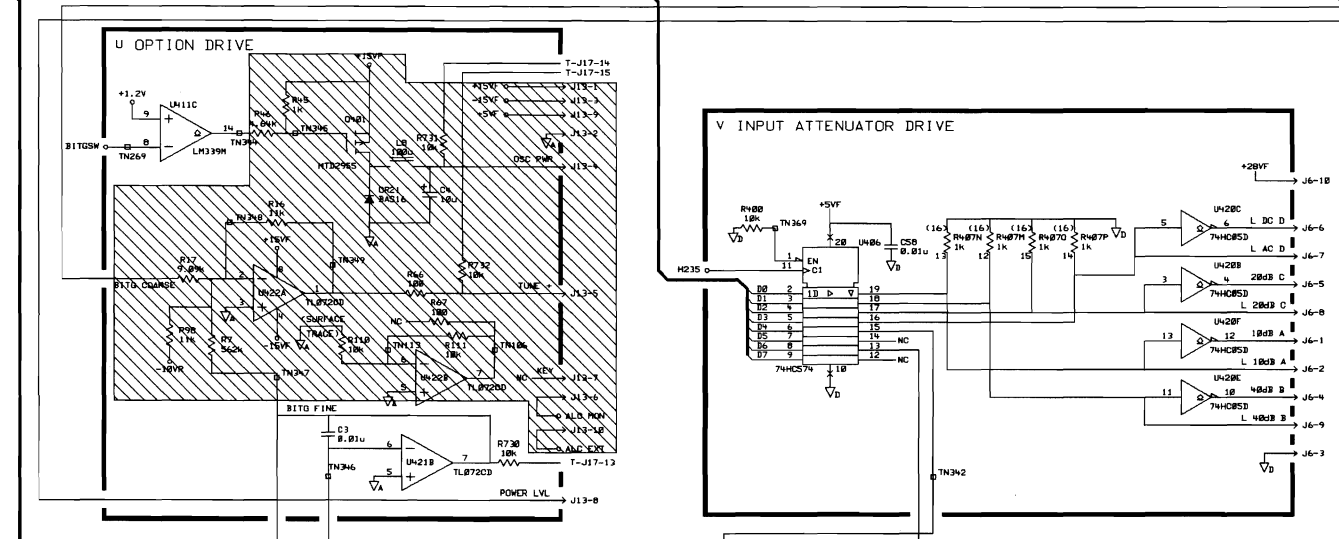
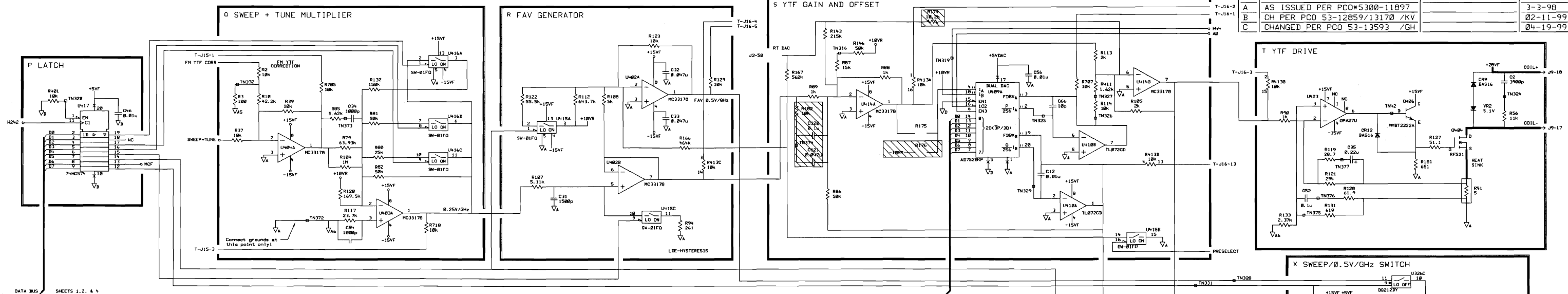
RAW BOARD = 08563-20040

AGILENT TECHNOLOGIES
RESTRICTED
THIS DOCUMENT CONTAINS CONFIDENTIAL,
PROPRIETARY INFORMATION THAT IS
AGILENT TECHNOLOGIES PROPERTY. DO NOT
DISCLOSE TO OR DUPLICATE FOR OTHERS EXCEPT
AS AUTHORIZED BY AGILENT TECHNOLOGIES.

DRAWN BY	DATE
ENGINEER/CHECKER	DATE
RELEASE TO PROD.	DATE
SUPERSEDES DWG.	

SHEMATIC, PWA
FREQ CONTROL

s2aav055	FILENAME	Agilent Technologies
NONE	SCALE	
2 OF 5	SHEET	08561-60055
	PART NUMBER	08561-60055-1

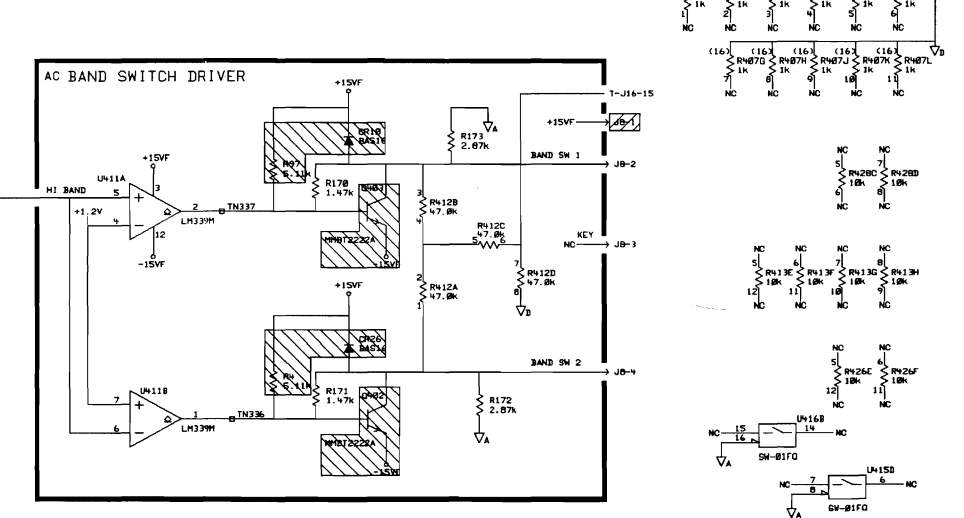
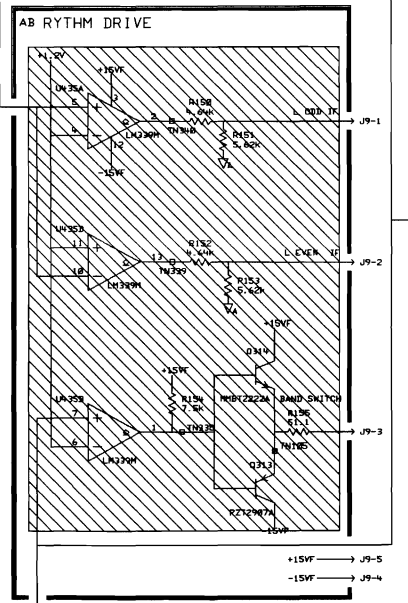


AA TEST CONNECTORS

T-J15-1	J15-1	J15-2	NC	T-J16-1	J16-1	J16-2	T-J16-2
T-J15-3	J15-3	J15-4	T-J15-4	T-J16-3	J16-3	J16-4	T-J16-4
NC	J15-5	J15-6	VA	T-J16-5	J16-5	J16-6	NC
KEY NC	J15-7	J15-8	NC	NC	J16-7	J16-8	NC
VA	J15-9	J15-10	NC	KEY NC	J16-9	J16-10	NC
VA	J15-11	J15-12	NC	T-J16-11	J16-11	J16-12	NC
VA	J15-13	J15-14	T-J15-14	T-J16-13	J16-13	J16-14	NC
VA	J15-15	J15-16	SWRAMP	T-J16-15	J16-15	J16-16	NC

T-J17-1	J17-1	J17-2	T-J17-2	T-J18-1	J18-1	J18-2	T-J18-2
T-J17-3	J17-3	J17-4	T-J17-4	T-J18-3	J18-3	J18-4	T-J18-4
T-J17-5	J17-5	J17-6	VA	T-J18-5	J18-5	J18-6	VA
KEY NC	J17-7	J17-8	VA	NC	J18-7	J18-8	VA
VA	J17-9	J17-10	VA	NC	J18-9	J18-10	VA
NC	J17-11	J17-12	VA	KEY NC	J18-11	J18-12	VA
T-J17-13	J17-13	J17-14	T-J17-14	T-J18-13	J18-13	J18-14	VA
T-J17-15	J17-15	J17-16	NC	T-J18-15	J18-15	J18-16	NC

T-J19-1	J19-1	J19-2	T-J19-2	T-J302-1	J302-1	J302-2	VA
T-J19-3	J19-3	J19-4	T-J19-4	NC	J302-3	J302-4	VA
T-J19-5	J19-5	J19-6	VA	T-J302-5	J302-5	J302-6	VA
KEY NC	J19-7	J19-8	NC	KEY NC	J302-7	J302-8	VA
VA	J19-9	J19-10	VA	KEY NC	J302-9	J302-10	VA
NC	J19-11	J19-12	NC	NC	J302-11	J302-12	VA
T-J19-13	J19-13	J19-14	T-J19-14	T-J302-13	J302-13	J302-14	REV_CODE
T-J19-15	J19-15	J19-16	NC	NC	J302-15	J302-16	NC



NOTE: HATCHED COMPONENTS ARE NOT LOADED FOR THIS ASSEMBLY.

RAW BOARD = 08563-20040

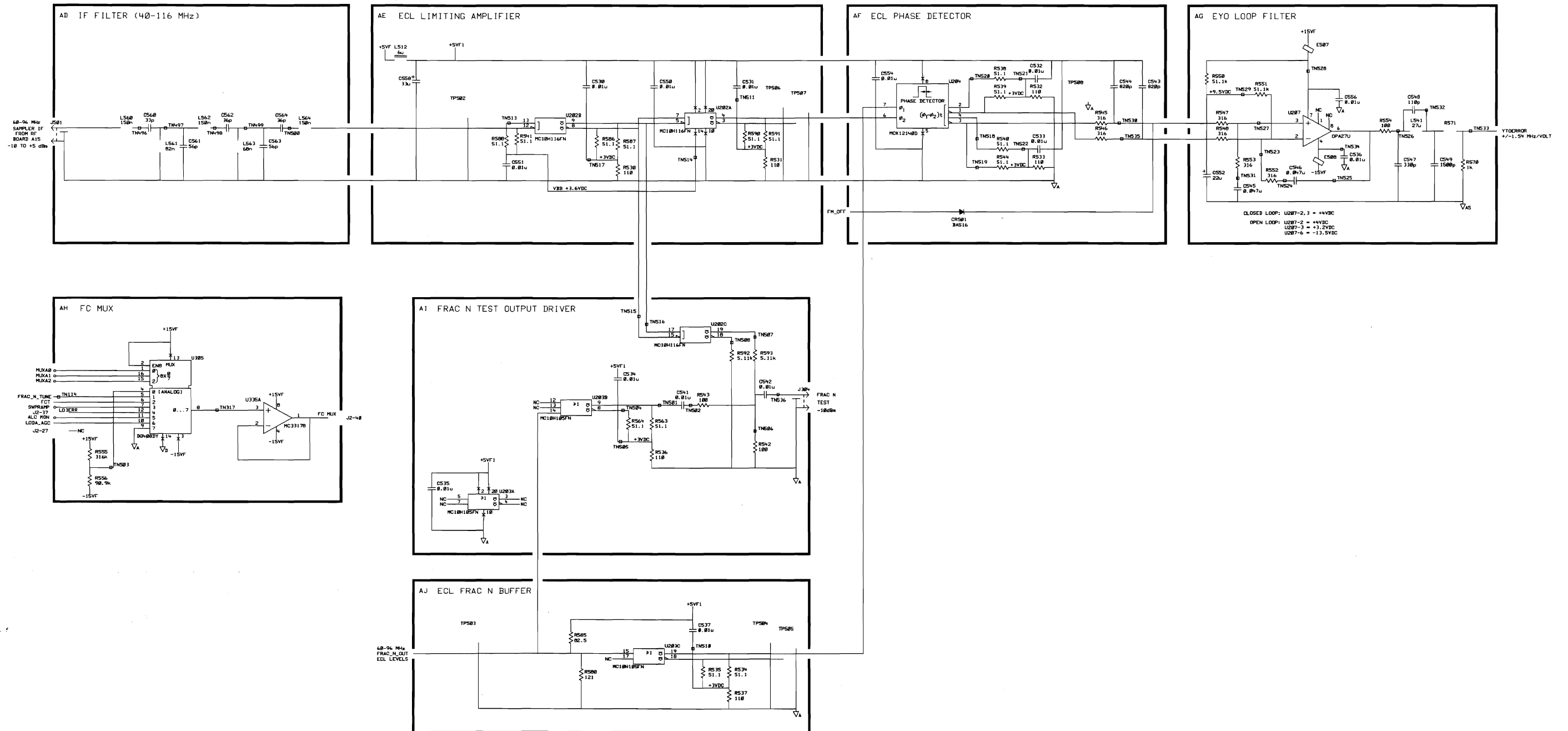
DRIVEN BY	DATE	S3aav055
ENGINEER/CHECKER	DATE	FILENAME
RELEASE TO PROD.	DATE	SCALE
SUPERSEDES DWG.	DATE	SHEET 3 OF 5

AGILENT TECHNOLOGIES RESTRICTED
 THIS DOCUMENT CONTAINS CONFIDENTIAL, PROPRIETARY INFORMATION THAT IS AGILENT TECHNOLOGIES PROPERTY. DO NOT DISCLOSE TO OR DUPLICATE FOR OTHERS EXCEPT AS AUTHORIZED BY AGILENT TECHNOLOGIES.

SCHMATIC, PWA FREQ CONTROL

08561-60055-1

S300 CA 3409		08561-60055-1	
SYM	REVISIONS	APPROVED	DATE
A	AS ISSUED PER PCO#5300-11897		3-3-98
B	CH PER PCO 53-12859/13170 /KV		02-11-99
C	CHANGED PER PCO 53-13593 /GH		04-19-99

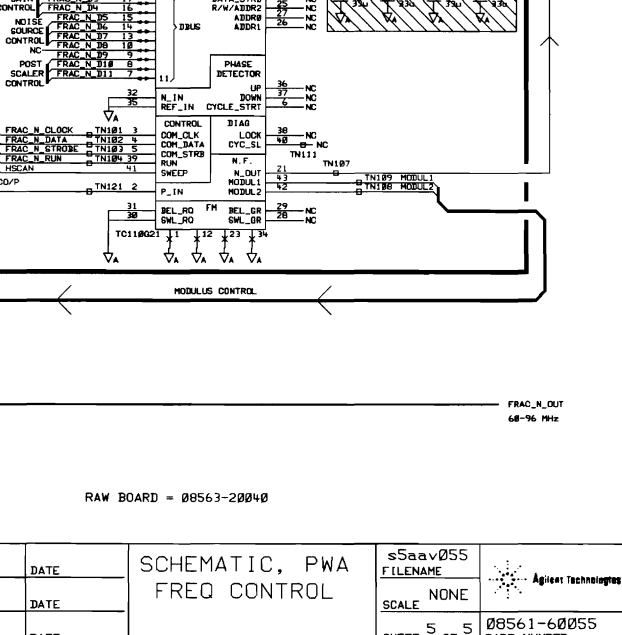
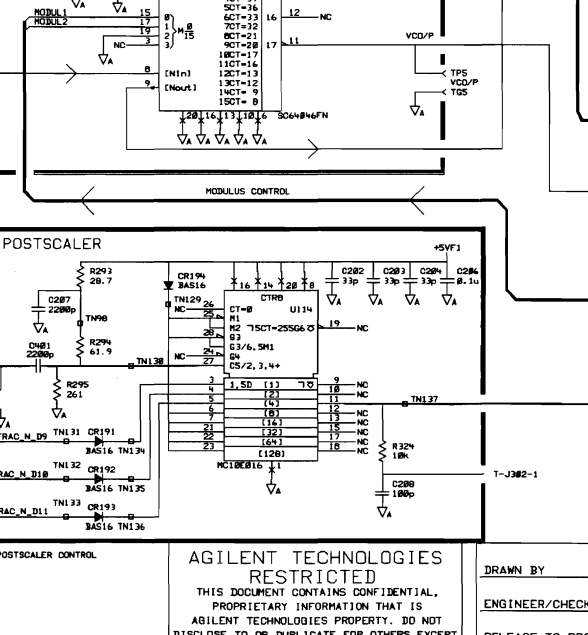
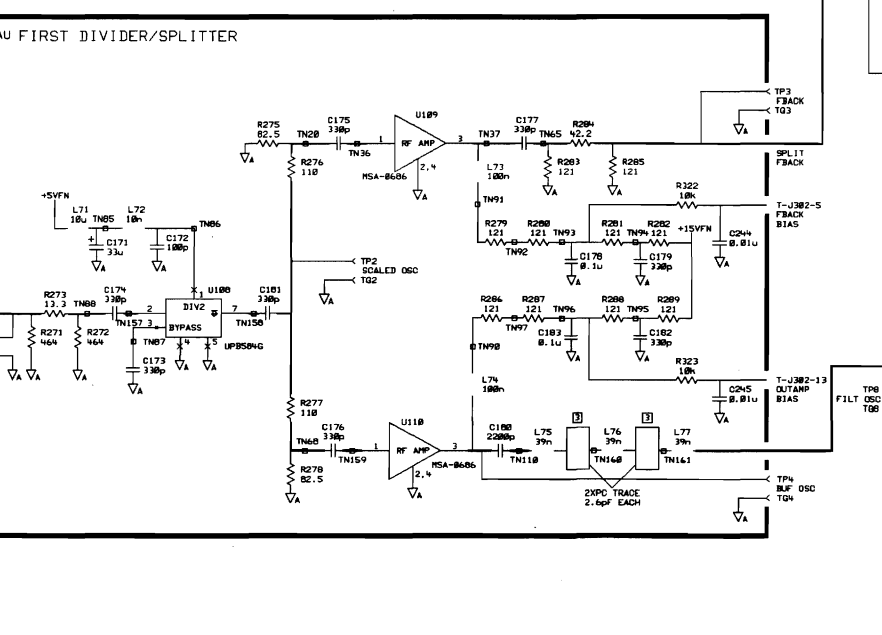
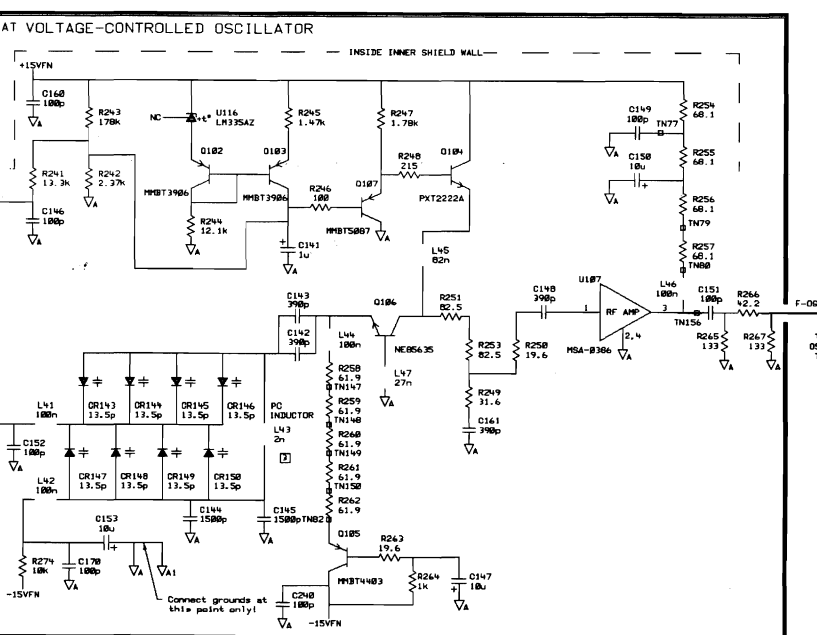
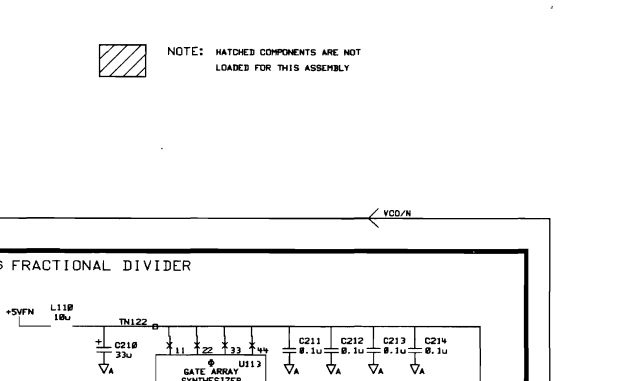
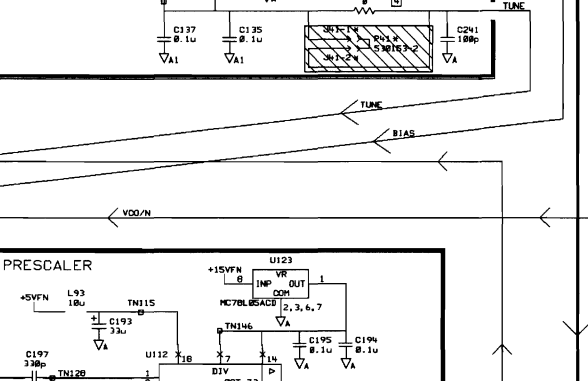
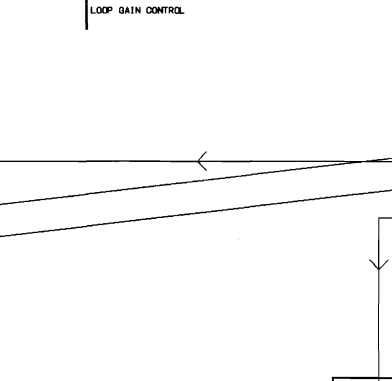
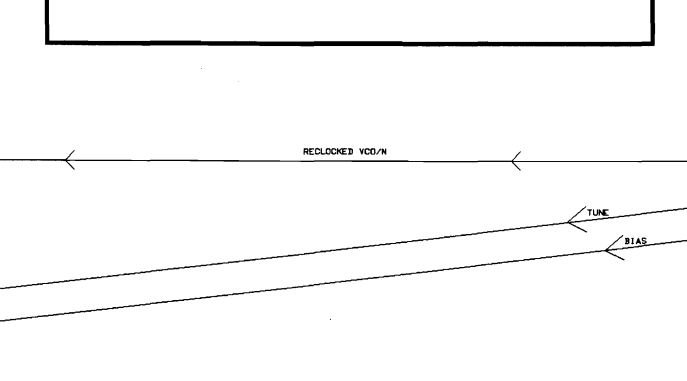
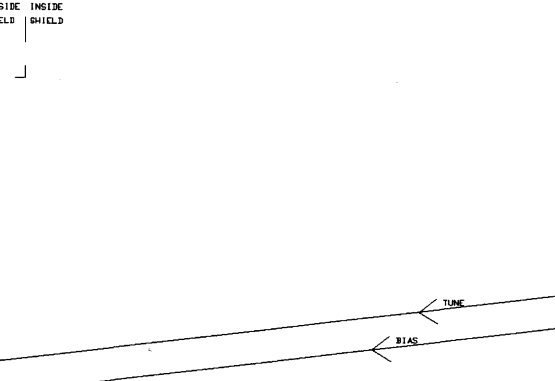
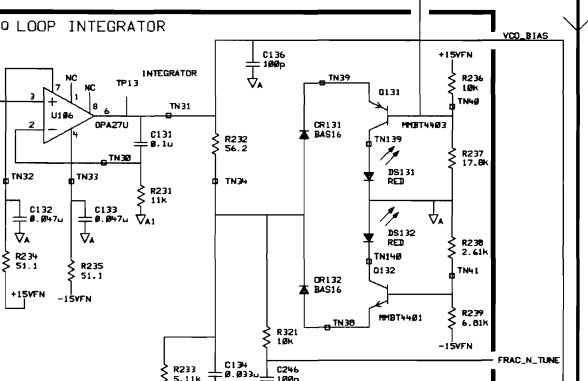
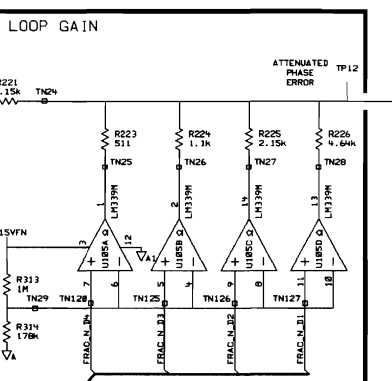
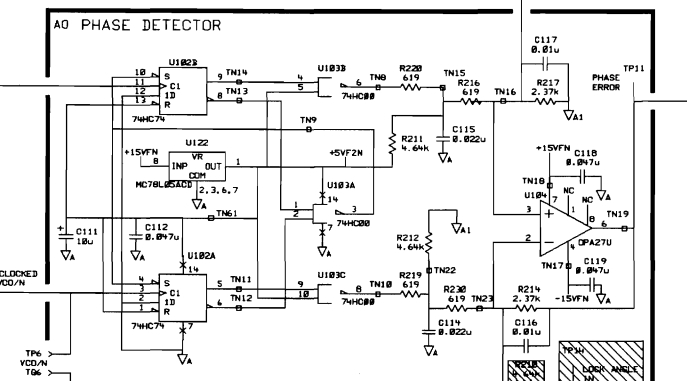
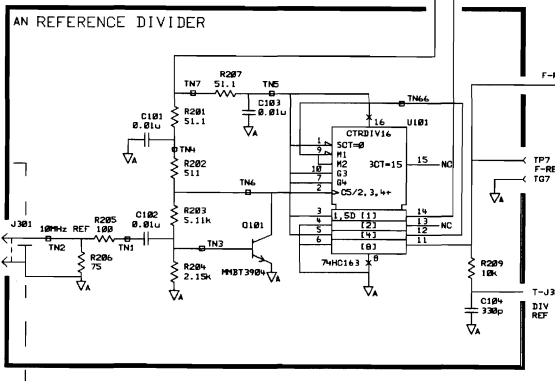
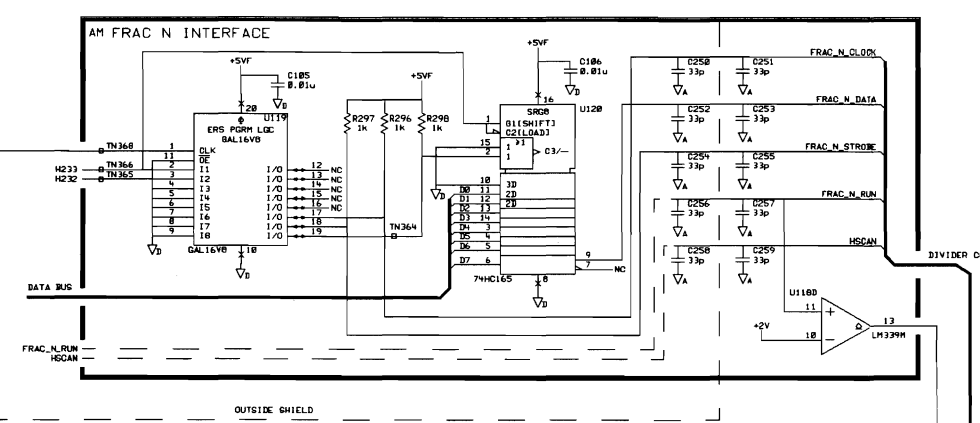
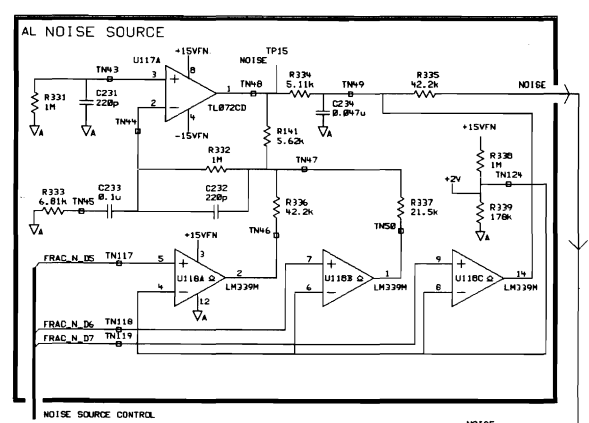
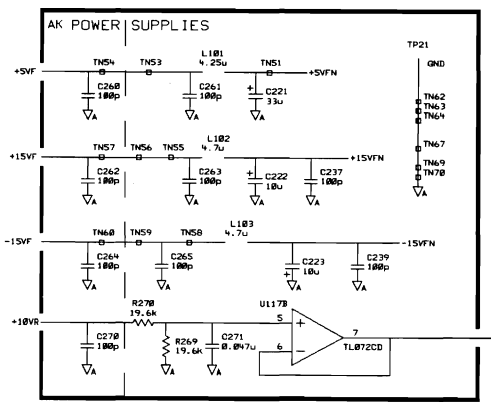


RAW BOARD = 08563-20040

AGILENT TECHNOLOGIES
RESTRICTED
THIS DOCUMENT CONTAINS CONFIDENTIAL,
PROPRIETARY INFORMATION THAT IS
AGILENT TECHNOLOGIES PROPERTY. DO NOT
DISCLOSE TO OR DUPLICATE FOR OTHERS EXCEPT
AS AUTHORIZED BY AGILENT TECHNOLOGIES.

DRAWN BY	DATE
ENGINEER/CHECKER	DATE
RELEASE TO PROD.	DATE
SUPERSEDES DWG.	

SCHEMATIC, PWA FREQ CONTROL		FILENAME s4aav055
TITLE		Agilent Technologies
SCALE NONE	SHEET 4 OF 5	PART NUMBER 08561-60055
		08561-60055-1



- NOTES:
- REFERENCE DESIGNATORS WITHIN THIS ASSEMBLY ARE ABBREVIATED. PREFIX ABBREVIATION WITH ASSEMBLY NUMBER FOR COMPLETE REFERENCE DESIGNATOR.
 - UNLESS OTHERWISE INDICATED: RESISTANCE IN OHMS (Ω); CAPACITANCE IN FARADS (F); INDUCTANCE IN HENRIES (H)
 - THESE ARE PC 93 TRADES
 - * - FACTORY SELECT. BOARD MAY BE LOADED WITH ONLY R24, OR BOTH J41 AND P41, OR ALL THREE
- NOTE: HATCHED COMPONENTS ARE NOT LOADED FOR THIS ASSEMBLY

AGILENT TECHNOLOGIES
RESTRICTED
THIS DOCUMENT CONTAINS CONFIDENTIAL, PROPRIETARY INFORMATION THAT IS AGILENT TECHNOLOGIES PROPERTY. DO NOT DISCLOSE TO OR DUPLICATE FOR OTHERS EXCEPT AS AUTHORIZED BY AGILENT TECHNOLOGIES.

DRAWN BY	DATE
ENGINEER/CHECKER	DATE
RELEASE TO PROD.	DATE
SUPERSEDES DWG.	

SCHEMATIC, PWA
FREQ CONTROL

sSaav055	FILENAME
NONE	SCALE
5 OF 5	SHEET
08561-6055	PART NUMBER
08561-6055-1	

Component-Level Information Packet for 08563-60088

Frequency Control



HP Part No. 08563-90124
Printed in USA June 2000

Notice. The information contained in this document is subject to change without notice.

Hewlett-Packard makes no warranty of any kind with regard to this material, including, but not limited to, the implied warranties of merchantability and fitness for a particular purpose. Hewlett-Packard shall not be liable for errors contained herein or for incidental or consequential damages in connection with the furnishing, performance, or use of this material.

©Copyright Hewlett-Packard Company 1990, 1991, 1992, 1993, 1994, 1995, 1996
All Rights Reserved. Reproduction, adaptation, or translation without prior written permission is prohibited, except as allowed under the copyright laws.

HP Part Number 08563-60088
Frequency Control

Reference Designator	HP Part Number	Qty	Description	Mfr Code	Mfr Part Number
A101	5062-7717	1	BD AY-OFFSET RLR	28480	5062-7717
A102	5062-8280	1	BD AY XF RLR	28480	5062-8280
A103	5062-7716	1	BD AY MN RLR	28480	5062-7716
C1	0180-3846	1	CAP-FXD 15uF +-10% 25 V TA	12340	T398G156K025AS
C2	0160-4832	1	CAP-FXD 0.01uF +-10% 100 V CER X7R	02010	SA101C103KAAH
C3	0160-4832	1	CAP-FXD 0.01uF +-10% 100 V CER X7R	02010	SA101C103KAAH
C4	0180-3831	1	CAP-FXD 10uF +-10% 35 V TA	12340	T398G106K035AS
C5	0180-3831	1	CAP-FXD 10uF +-10% 35 V TA	12340	T398G106K035AS
C6	0160-4805	1	CAP-FXD 47pF +-5% 100 V CER C0G	02010	SA102A470JAAH
C7	0180-3831	1	CAP-FXD 10uF +-10% 35 V TA	12340	T398G106K035AS
C8	0180-3850	1	CAP-FXD 68uF +-10% 10 V TA	12340	T398H686K010AS
C9	0160-4832	1	CAP-FXD 0.01uF +-10% 100 V CER X7R	02010	SA101C103KAAH
C10	0160-4554	1	CAP-FXD 0.01uF +-20% 50 V CER X7R	02010	SA105C103MAAH
C11	0160-4554	1	CAP-FXD 0.01uF +-20% 50 V CER X7R	02010	SA105C103MAAH
C12	0160-4832	1	CAP-FXD 0.01uF +-10% 100 V CER X7R	02010	SA101C103KAAH
C13	0160-4832	1	CAP-FXD 0.01uF +-10% 100 V CER X7R	02010	SA101C103KAAH
C14	0160-7927	1	CAP-FXD 1uF +8% -2% 50 V POLYC-MET	10200	MC1-11568Z
C15	0160-5201	1	CAP-FXD 0.01uF +-1% 200 V POLYC-MET	05176	HEW-249-10NF+/-1%200V
C16	0160-6326	1	CAP-FXD 1060pF +-1% 50 V POLYC-MET	05176	HEW-249-1060PF+/-1%50V
C17	0160-4835	1	CAP-FXD 0.1uF +-10% 50 V CER X7R	02010	SA105C104KAAH
C18	0160-4835	1	CAP-FXD 0.1uF +-10% 50 V CER X7R	02010	SA105C104KAAH
C20	0160-4835	1	CAP-FXD 0.1uF +-10% 50 V CER X7R	02010	SA105C104KAAH
C21	0160-4835	1	CAP-FXD 0.1uF +-10% 50 V CER X7R	02010	SA105C104KAAH
C22	0160-4835	1	CAP-FXD 0.1uF +-10% 50 V CER X7R	02010	SA105C104KAAH
C23	0160-4835	1	CAP-FXD 0.1uF +-10% 50 V CER X7R	02010	SA105C104KAAH
C25	0160-4822	1	CAP-FXD 1000pF +-5% 100 V CER C0G	02010	SA201A102JAAH
C27	0160-4835	1	CAP-FXD 0.1uF +-10% 50 V CER X7R	02010	SA105C104KAAH
C28	0160-4831	1	CAP-FXD 4700pF +-10% 100 V CER X7R	02010	SA101C472KAAH
C31	0160-0298	1	CAP-FXD 1500pF +-10% 200 V POLYE-FL	02367	WMC2D15
C32	0160-5422	1	CAP-FXD 0.047uF +-20% 50 V CER X7R	02010	SA205C473MAAH
C33	0160-5422	1	CAP-FXD 0.047uF +-20% 50 V CER X7R	02010	SA205C473MAAH
C36	LTB0180-0058KD	1	C AL 47U 25V	28480	LTB0180-0058KD
C37	0180-3850	1	CAP-FXD 68uF +-10% 10 V TA	12340	T398H686K010AS
C38	0160-4808	1	CAP-FXD 470pF +-5% 100 V CER C0G	02010	SA101A471JAAH
C39	0160-4808	1	CAP-FXD 470pF +-5% 100 V CER C0G	02010	SA101A471JAAH

*Indicates factory-selected value

CLIP 08563-90124 1

**HP Part Number 08563-60088
Frequency Control (continued)**

Reference Designator	HP Part Number	Qty	Description	Mfr Code	Mfr Part Number
C40	0160-4554	1	CAP-FXD 0.01uF +-20% 50 V CER X7R	02010	SA105C103MAAH
C41	0180-3771	1	CAP-FXD 1uF +-10% 35 V TA	12340	T398A105K035AS
C42	0180-3831	1	CAP-FXD 10uF +-10% 35 V TA	12340	T398G106K035AS
C43	0160-4832	1	CAP-FXD 0.01uF +-10% 100 V CER X7R	02010	SA101C103KAAH
C44	0160-4832	1	CAP-FXD 0.01uF +-10% 100 V CER X7R	02010	SA101C103KAAH
C45	0160-4832	1	CAP-FXD 0.01uF +-10% 100 V CER X7R	02010	SA101C103KAAH
C46	0160-4832	1	CAP-FXD 0.01uF +-10% 100 V CER X7R	02010	SA101C103KAAH
C47	0160-4832	1	CAP-FXD 0.01uF +-10% 100 V CER X7R	02010	SA101C103KAAH
C48	0160-4832	1	CAP-FXD 0.01uF +-10% 100 V CER X7R	02010	SA101C103KAAH
C49	0160-4832	1	CAP-FXD 0.01uF +-10% 100 V CER X7R	02010	SA101C103KAAH
C50	0160-4832	1	CAP-FXD 0.01uF +-10% 100 V CER X7R	02010	SA101C103KAAH
C51	0160-4832	1	CAP-FXD 0.01uF +-10% 100 V CER X7R	02010	SA101C103KAAH
C53	0160-4832	1	CAP-FXD 0.01uF +-10% 100 V CER X7R	02010	SA101C103KAAH
C55	0160-4832	1	CAP-FXD 0.01uF +-10% 100 V CER X7R	02010	SA101C103KAAH
C56	0160-4832	1	CAP-FXD 0.01uF +-10% 100 V CER X7R	02010	SA101C103KAAH
C57	0160-4832	1	CAP-FXD 0.01uF +-10% 100 V CER X7R	02010	SA101C103KAAH
C58	0160-4832	1	CAP-FXD 0.01uF +-10% 100 V CER X7R	02010	SA101C103KAAH
C59	0160-4832	1	CAP-FXD 0.01uF +-10% 100 V CER X7R	02010	SA101C103KAAH
C62	0160-4801	1	CAP-FXD 100pF +-5% 100 V CER C0G	02010	SA102A101JAAH
C63	0160-4801	1	CAP-FXD 100pF +-5% 100 V CER C0G	02010	SA102A101JAAH
C64	0160-4832	1	CAP-FXD 0.01uF +-10% 100 V CER X7R	02010	SA101C103KAAH
C66	0160-4791	1	CAP-FXD 10pF +-5% 100 V CER C0G	02010	SA101A100JAA
C201	0180-0500	1	CAP-FXD 47uF +-20% 20 V TA	01760	202L2002-476-M6-552
C302	0180-4003	1	CAP-FXD 10uF +-10% 25 V TA	12340	T398E106K025AS
C303	0160-4830	1	CAP-FXD 2200pF +-10% 100 V CER X7R	02010	SA101C222KAAH
C304	0160-4833	1	CAP-FXD 0.022uF +-10% 100 V CER X7R	02010	SA201C223KAAH
C305	0160-4832	1	CAP-FXD 0.01uF +-10% 100 V CER X7R	02010	SA101C103KAAH
C306	0160-4832	1	CAP-FXD 0.01uF +-10% 100 V CER X7R	02010	SA101C103KAAH
C307	0160-4833	1	CAP-FXD 0.022uF +-10% 100 V CER X7R	02010	SA201C223KAAH
C308	0160-4830	1	CAP-FXD 2200pF +-10% 100 V CER X7R	02010	SA101C222KAAH
C309	0180-4003	1	CAP-FXD 10uF +-10% 25 V TA	12340	T398E106K025AS
C310	0160-4233	1	CAP-FXD 0.47uF +-5% 50 V POLYC-MET	05176	HEW-249-470NF+/-5%50V
C312	0160-4832	1	CAP-FXD 0.01uF +-10% 100 V CER X7R	02010	SA101C103KAAH
C313	0160-4801	1	CAP-FXD 100pF +-5% 100 V CER C0G	02010	SA102A101JAAH
C315	0180-4003	1	CAP-FXD 10uF +-10% 25 V TA	12340	T398E106K025AS

HP Part Number 08563-60088
Frequency Control (continued)

Reference Designator	HP Part Number	Qty	Description	Mfr Code	Mfr Part Number
C316	0160-4822	1	CAP-FXD 1000pF +-5% 100 V CER C0G	02010	SA201A102JAAH
C317	0160-4822	1	CAP-FXD 1000pF +-5% 100 V CER C0G	02010	SA201A102JAAH
C318	0160-4814	1	CAP-FXD 150pF +-5% 100 V CER C0G	02010	SA101A151JAAH
C320	0160-4822	1	CAP-FXD 1000pF +-5% 100 V CER C0G	02010	SA201A102JAAH
C321	0160-4822	1	CAP-FXD 1000pF +-5% 100 V CER C0G	02010	SA201A102JAAH
C322	0160-4040	1	CAP-FXD 1000pF +-5% 100 V CER C0G	06352	FD12C0G2A102J
C323	0160-4822	1	CAP-FXD 1000pF +-5% 100 V CER C0G	02010	SA201A102JAAH
C324	0160-4832	1	CAP-FXD 0.01uF +-10% 100 V CER X7R	02010	SA101C103KAAH
C325	0160-4832	1	CAP-FXD 0.01uF +-10% 100 V CER X7R	02010	SA101C103KAAH
C326	0160-4801	1	CAP-FXD 100pF +-5% 100 V CER C0G	02010	SA102A101JAAH
C327	0160-4846	1	CAP-FXD 1500pF +-5% 100 V CER C0G	02010	SA201A152JAAH
C328	0160-4814	1	CAP-FXD 150pF +-5% 100 V CER C0G	02010	SA101A151JAAH
C329	0180-4003	1	CAP-FXD 10uF +-10% 25 V TA	12340	T398E106K025AS
C330	0160-4832	1	CAP-FXD 0.01uF +-10% 100 V CER X7R	02010	SA101C103KAAH
C331	0180-4003	1	CAP-FXD 10uF +-10% 25 V TA	12340	T398E106K025AS
C332	0180-4003	1	CAP-FXD 10uF +-10% 25 V TA	12340	T398E106K025AS
C333	0160-4835	1	CAP-FXD 0.1uF +-10% 50 V CER X7R	02010	SA105C104KAAH
C334	0160-4814	1	CAP-FXD 150pF +-5% 100 V CER C0G	02010	SA101A151JAAH
C335	0180-4003	1	CAP-FXD 10uF +-10% 25 V TA	12340	T398E106K025AS
C336	0160-4835	1	CAP-FXD 0.1uF +-10% 50 V CER X7R	02010	SA105C104KAAH
C337	0160-4822	1	CAP-FXD 1000pF +-5% 100 V CER C0G	02010	SA201A102JAAH
C338	0160-4822	1	CAP-FXD 1000pF +-5% 100 V CER C0G	02010	SA201A102JAAH
C339	0160-4822	1	CAP-FXD 1000pF +-5% 100 V CER C0G	02010	SA201A102JAAH
C340	0160-4822	1	CAP-FXD 1000pF +-5% 100 V CER C0G	02010	SA201A102JAAH
C341	0160-4832	1	CAP-FXD 0.01uF +-10% 100 V CER X7R	02010	SA101C103KAAH
C342	0160-4822	1	CAP-FXD 1000pF +-5% 100 V CER C0G	02010	SA201A102JAAH
C343	0160-4835	1	CAP-FXD 0.1uF +-10% 50 V CER X7R	02010	SA105C104KAAH
C344	0160-4832	1	CAP-FXD 0.01uF +-10% 100 V CER X7R	02010	SA101C103KAAH
C345	0160-4832	1	CAP-FXD 0.01uF +-10% 100 V CER X7R	02010	SA101C103KAAH
C346	0160-4822	1	CAP-FXD 1000pF +-5% 100 V CER C0G	02010	SA201A102JAAH
C347	0160-4830	1	CAP-FXD 2200pF +-10% 100 V CER X7R	02010	SA101C222KAAH
C348	0160-4832	1	CAP-FXD 0.01uF +-10% 100 V CER X7R	02010	SA101C103KAAH
C349	0160-4804	1	CAP-FXD 56pF +-5% 100 V CER C0G	02010	SA102A560JAAH
C350	0160-4804	1	CAP-FXD 56pF +-5% 100 V CER C0G	02010	SA102A560JAAH
C351	0160-4814	1	CAP-FXD 150pF +-5% 100 V CER C0G	02010	SA101A151JAAH

*Indicates factory-selected value

**HP Part Number 08563-60088
Frequency Control (continued)**

Reference Designator	HP Part Number	Qty	Description	Mfr Code	Mfr Part Number
C352	0160-4814	1	CAP-FXD 150pF +-5% 100 V CER C0G	02010	SA101A151JAAH
C353	0160-3879	1	CAP-FXD 0.01uF +-20% 100 V CER X7R	06352	FD12X7R2A103M
C354	0160-3879	1	CAP-FXD 0.01uF +-20% 100 V CER X7R	06352	FD12X7R2A103M
C355	0160-3661	1	CAP-FXD 0.1uF +-5% 50 V POLYC-MET	05176	HEW-249-100NF+/-5%50V
C356	0160-4574	1	CAP-FXD 1000pF +-10% 100 V CER X7R	02010	SA101C102KAAH
C357	0160-4807	1	CAP-FXD 33pF +-5% 100 V CER C0G	02010	SA102A330JAAH
C358	0160-4805	1	CAP-FXD 47pF +-5% 100 V CER C0G	02010	SA102A470JAAH
C359	0180-4003	1	CAP-FXD 10uF +-10% 25 V TA	12340	T398E106K025AS
C360	0160-4791	1	CAP-FXD 10pF +-5% 100 V CER C0G	02010	SA101A100JAA
C361	0180-4003	1	CAP-FXD 10uF +-10% 25 V TA	12340	T398E106K025AS
C362	0160-4786	1	CAP-FXD 27pF +-5% 100 V CER C0G	02010	SA101A270JAA
C363	0160-4233	1	CAP-FXD 0.47uF +-5% 50 V POLYC-MET	05176	HEW-249-470NF+/-5%50V
C364	0180-3771	1	CAP-FXD 1uF +-10% 35 V TA	12340	T398A105K035AS
C365	0160-3878	1	CAP-FXD 1000pF +-20% 100 V CER X7R	06352	FD12X7R2A102M
C369	0160-4830	1	CAP-FXD 2200pF +-10% 100 V CER X7R	02010	SA101C222KAAH
C379	0180-3845	1	CAP-FXD 4.7uF +-10% 35 V TA	02010	TAL475K035
C380	0160-4574	1	CAP-FXD 1000pF +-10% 100 V CER X7R	02010	SA101C102KAAH
C383	0160-4805	1	CAP-FXD 47pF +-5% 100 V CER C0G	02010	SA102A470JAAH
C384	0160-4371	1	CAP-FXD 680pF +-5% 100 V CER C0G	06352	FD12C0G2A681J
C385	0160-4812	1	CAP-FXD 220pF +-5% 100 V CER C0G	02010	SA101A221JAAH
C387	0160-4441	1	CAP-FXD 0.47uF +-10% 50 V CER X7R	02010	SR305C474KAAH
C388	0160-4441	1	CAP-FXD 0.47uF +-10% 50 V CER X7R	02010	SR305C474KAAH
C389	0160-4441	1	CAP-FXD 0.47uF +-10% 50 V CER X7R	02010	SR305C474KAAH
C390	0160-4441	1	CAP-FXD 0.47uF +-10% 50 V CER X7R	02010	SR305C474KAAH
C391	0160-4441	1	CAP-FXD 0.47uF +-10% 50 V CER X7R	02010	SR305C474KAAH
C392	0160-4441	1	CAP-FXD 0.47uF +-10% 50 V CER X7R	02010	SR305C474KAAH
C393	0160-3875	1	CAP-FXD 22pF +-5% 200 V CER C0G	06352	FD12C0G2D220J
C394	0160-4805	1	CAP-FXD 47pF +-5% 100 V CER C0G	02010	SA102A470JAAH
C535	0160-3879	1	CAP-FXD 0.01uF +-20% 100 V CER X7R	06352	FD12X7R2A103M
C536	0160-3879	1	CAP-FXD 0.01uF +-20% 100 V CER X7R	06352	FD12X7R2A103M
C537	0160-3879	1	CAP-FXD 0.01uF +-20% 100 V CER X7R	06352	FD12X7R2A103M
C539	0160-4387	1	CAP-FXD 47pF +-5% 200 V CER C0G	06352	FD12C0G2D470J
C540	0160-3879	1	CAP-FXD 0.01uF +-20% 100 V CER X7R	06352	FD12X7R2A103M
C541	0160-3879	1	CAP-FXD 0.01uF +-20% 100 V CER X7R	06352	FD12X7R2A103M
C542	0160-3879	1	CAP-FXD 0.01uF +-20% 100 V CER X7R	06352	FD12X7R2A103M

HP Part Number 08563-60088
Frequency Control (continued)

Reference Designator	HP Part Number	Qty	Description	Mfr Code	Mfr Part Number
C543	0160-0570	1	CAP-FXD 220pF +-20% 100 V CER X7R	06352	FD12X7R2A221M
C544	0160-0570	1	CAP-FXD 220pF +-20% 100 V CER X7R	06352	FD12X7R2A221M
C545	0160-6016	1	CAP-FXD 0.047uF +-10% 100 V CER X7R	02010	SR211C473KAAH
C546	0160-6016	1	CAP-FXD 0.047uF +-10% 100 V CER X7R	02010	SR211C473KAAH
C547	0160-4031	1	CAP-FXD 330pF +-5% 100 V CER C0G	06352	FD12C0G2A331J
C548	0160-5405	1	CAP-FXD 130pF +-5% 100 V CER C0G	02010	SA101A131JAAH
C549	0160-4615	1	CAP-FXD 1200pF +-5% 100 V CER C0G	06352	FD12C0G2A122J
C550	0160-3879	1	CAP-FXD 0.01uF +-20% 100 V CER X7R	06352	FD12X7R2A103M
C551	0160-4040	1	CAP-FXD 1000pF +-5% 100 V CER C0G	06352	FD12C0G2A102J
C552	0160-3879	1	CAP-FXD 0.01uF +-20% 100 V CER X7R	06352	FD12X7R2A103M
C554	0160-4497	1	CAP-FXD 82pF +-5% 200 V CER C0G	06352	FD12C0G2D820J
C556	0160-3879	1	CAP-FXD 0.01uF +-20% 100 V CER X7R	06352	FD12X7R2A103M
C557	0160-4040	1	CAP-FXD 1000pF +-5% 100 V CER C0G	06352	FD12C0G2A102J
C558	0160-3879	1	CAP-FXD 0.01uF +-20% 100 V CER X7R	06352	FD12X7R2A103M
C560	0160-3875	1	CAP-FXD 22pF +-5% 200 V CER C0G	06352	FD12C0G2D220J
C561	0160-6723	1	CAP-FXD 75pF +-5% 200 V CER C0G	02010	SR202A750JAAH
C562	0160-4521	1	CAP-FXD 12pF +-5% 200 V CER C0G	06352	FD12C0G2D120J
C563	0160-4497	1	CAP-FXD 82pF +-5% 200 V CER C0G	06352	FD12C0G2D820J
C564	0160-4524	1	CAP-FXD 24pF +-5% 200 V CER C0G	06352	FD12C0G2D240J
C580	0160-4040	1	CAP-FXD 1000pF +-5% 100 V CER C0G	06352	FD12C0G2A102J
C581	0160-4040	1	CAP-FXD 1000pF +-5% 100 V CER C0G	06352	FD12C0G2A102J
C582	0160-4040	1	CAP-FXD 1000pF +-5% 100 V CER C0G	06352	FD12C0G2A102J
C589	0160-3874	1	CAP-FXD 10pF +-5% 200 V CER C0G	06352	FD12C0G2D100D
C590	0160-4040	1	CAP-FXD 1000pF +-5% 100 V CER C0G	06352	FD12C0G2A102J
C591	0160-4031	1	CAP-FXD 330pF +-5% 100 V CER C0G	06352	FD12C0G2A331J
C592	0160-4497	1	CAP-FXD 82pF +-5% 200 V CER C0G	06352	FD12C0G2D820J
C601	0180-3831	1	CAP-FXD 10uF +-10% 35 V TA	12340	T398G106K035AS
C602	0160-4084	1	CAP-FXD 0.1uF +-20% 50 V CER X7R	02010	SR215C104MAAH
C603	0160-4819	1	CAP-FXD 2200pF +-5% 100 V CER C0G	02010	SA301A222JAAH
C604	0160-4389	1	CAP-FXD 100pF +-5% 200 V CER C0G	06352	FD12C0G2D101J
C606	0160-4387	1	CAP-FXD 47pF +-5% 200 V CER C0G	06352	FD12C0G2D470J
CR1	1901-0880	1	DIODE-GEN PRP 200MA DO-35	02237	FDH300
CR2	1901-0880	1	DIODE-GEN PRP 200MA DO-35	02237	FDH300
CR3	1901-0880	1	DIODE-GEN PRP 200MA DO-35	02237	FDH300
CR4	1901-0880	1	DIODE-GEN PRP 200MA DO-35	02237	FDH300

*Indicates factory-selected value

CLIP 08563-90124 5

HP Part Number 08563-60088
Frequency Control (continued)

Reference Designator	HP Part Number	Qty	Description	Mfr Code	Mfr Part Number
CR5	1901-1098	1	DIODE-SWITCHING 1N4150 50V 200MA 4NS	00746	1901-1098
CR6	1901-0880	1	DIODE-GEN PRP 200MA DO-35	02237	FDH300
CR7	1901-1098	1	DIODE-SWITCHING 1N4150 50V 200MA 4NS	00746	1901-1098
CR9	1901-1098	1	DIODE-SWITCHING 1N4150 50V 200MA 4NS	00746	1901-1098
CR10	1901-1098	1	DIODE-SWITCHING 1N4150 50V 200MA 4NS	00746	1901-1098
CR11	1901-0539	1	DIODE-SCHOTTKY SM SIG	01542	5082-2810
CR12	1901-0539	1	DIODE-SCHOTTKY SM SIG	01542	5082-2810
CR13	1901-0539	1	DIODE-SCHOTTKY SM SIG	01542	5082-2810
CR14	1901-0539	1	DIODE-SCHOTTKY SM SIG	01542	5082-2810
CR15	1901-0539	1	DIODE-SCHOTTKY SM SIG	01542	5082-2810
CR16	1901-0539	1	DIODE-SCHOTTKY SM SIG	01542	5082-2810
CR17	1901-0539	1	DIODE-SCHOTTKY SM SIG	01542	5082-2810
CR18	1901-0539	1	DIODE-SCHOTTKY SM SIG	01542	5082-2810
CR19	1901-1279	1	DIODE-SCHOTTKY 60V 1NS DO-34	02910	BAT83
CR20	1901-1279	1	DIODE-SCHOTTKY 60V 1NS DO-34	02910	BAT83
CR21	1901-1098	1	DIODE-SWITCHING 1N4150 50V 200MA 4NS	00746	1901-1098
CR23	1901-0539	1	DIODE-SCHOTTKY SM SIG	01542	5082-2810
CR24	1901-1098	1	DIODE-SWITCHING 1N4150 50V 200MA 4NS	00746	1901-1098
CR25	1901-1098	1	DIODE-SWITCHING 1N4150 50V 200MA 4NS	00746	1901-1098
CR26	1901-1098	1	DIODE-SWITCHING 1N4150 50V 200MA 4NS	00746	1901-1098
CR27	1901-1098	1	DIODE-SWITCHING 1N4150 50V 200MA 4NS	00746	1901-1098
CR66	1902-0202	1	DIODE-ZNR 15V 5% PD=1W IR=5UA	02688	1902-0202
CR302	1901-1097	1	DIODE-PIN	08852	M5X-3472
CR303	1901-1097	1	DIODE-PIN	08852	M5X-3472
CR304	1901-0880	1	DIODE-GEN PRP 200MA DO-35	02237	FDH300
CR305	1901-0880	1	DIODE-GEN PRP 200MA DO-35	02237	FDH300
CR601	1901-1098	1	DIODE-SWITCHING 1N4150 50V 200MA 4NS	00746	1901-1098
E503	9170-1366	1	CORE-SHIELDING BEAD	03827	2743001112
E504	9170-1366	1	CORE-SHIELDING BEAD	03827	2743001112
E505	9170-1366	1	CORE-SHIELDING BEAD	03827	2743001112
E506	9170-0029	1	CORE-SHIELDING BEAD	06337	56-590-65A2/4A
E507	9170-1366	1	CORE-SHIELDING BEAD	03827	2743001112
E508	9170-1366	1	CORE-SHIELDING BEAD	03827	2743001112
J1	1252-1064	1	CONN-POST TYPE .100-PIN-SPCG-MTG-END	01380	1-746878-0
J2	1252-1064	1	CONN-POST TYPE .100-PIN-SPCG-MTG-END	01380	1-746878-0

HP Part Number 08563-60088
Frequency Control (continued)

Reference Designator	HP Part Number	Qty	Description	Mfr Code	Mfr Part Number
J3	1252-2007	1	CONN-POST TYPE .100-PIN-SPCG-MTG-END	13369	68451-125
J6	1252-2221	1	CONN-POST TYPE .100-PIN-SPCG-MTG-END	13369	88874-110
J7	1250-0543	1	CONNECTOR-RF SMB MALE PC-W-STDFS 50-OHM	07247	59S213-40TD3
J8	1252-2042	1	CONN-POST TYPE .100-PIN-SPCG-MTG-END	01380	644224-1
J9	1252-2040	1	CONN-POST TYPE .100-PIN-SPCG-MTG-END	01380	644220-1
J10	1252-2041	1	CONN-POST TYPE .100-PIN-SPCG-MTG-END	01380	644219-1
J11	1252-0523	1	CONN-POST TYPE .100-PIN-SPCG-MTG-END	01380	641216-3
J12	1252-2008	1	CONN-POST TYPE .100-PIN-SPCG-MTG-END	13369	68451-124
J13	1251-5285	1	CONN-POST TYPE .100-PIN-SPCG-MTG-END	13369	68015-602
J14	1251-5033	1	CONN-POST TYPE .100-PIN-SPCG-MTG-END	01380	103239-3
J15	1252-1200	1	CONN-POST TYPE .100-PIN-SPCG-MTG-END	13369	68449-079
J16	1252-1200	1	CONN-POST TYPE .100-PIN-SPCG-MTG-END	13369	68449-079
J17	1252-1200	1	CONN-POST TYPE .100-PIN-SPCG-MTG-END	13369	68449-079
J18	1252-1200	1	CONN-POST TYPE .100-PIN-SPCG-MTG-END	13369	68449-079
J19	1252-1200	1	CONN-POST TYPE .100-PIN-SPCG-MTG-END	13369	68449-079
J23	1251-5033	1	CONN-POST TYPE .100-PIN-SPCG-MTG-END	01380	103239-3
J301	1250-0543	1	CONNECTOR-RF SMB MALE PC-W-STDFS 50-OHM	07247	59S213-40TD3
J302	1252-1200	1	CONN-POST TYPE .100-PIN-SPCG-MTG-END	13369	68449-079
J303	1252-1200	1	CONN-POST TYPE .100-PIN-SPCG-MTG-END	13369	68449-079
J304	1250-0257	1	CONNECTOR-RF SMB MALE PC-W-STDFS 50-OHM	01380	413990-3
J501	1250-0543	1	CONNECTOR-RF SMB MALE PC-W-STDFS 50-OHM	07247	59S213-40TD3
L1	9140-0738	1	INDUCTOR 100uH .6W-INX.7LG-IN	01869	52405
L2	9140-0738	1	INDUCTOR 100uH .6W-INX.7LG-IN	01869	52405
L3	9140-0738	1	INDUCTOR 100uH .6W-INX.7LG-IN	01869	52405
L4	9100-0539	1	INDUCTOR RF-CH-MLD 10uH +-5%	03273	15M102J
L5	9140-0210	1	INDUCTOR RF-CH-MLD 100uH +-5%	05524	IM-4 100UH 5%
L6	9140-0210	1	INDUCTOR RF-CH-MLD 100uH +-5%	05524	IM-4 100UH 5%
L7	9140-0210	1	INDUCTOR RF-CH-MLD 100uH +-5%	05524	IM-4 100UH 5%
L8	9140-0210	1	INDUCTOR RF-CH-MLD 100uH +-5%	05524	IM-4 100UH 5%
L201	9140-0210	1	INDUCTOR RF-CH-MLD 100uH +-5%	05524	IM-4 100UH 5%
L301	9140-0158	1	INDUCTOR RF-CH-MLD 1uH +-10%	05826	1025-20
L302	9100-2256	1	INDUCTOR RF-CH-MLD 560nH +-10%	03273	10M560K
L303	9140-0400	1	INDUCTOR RF-CH-MLD 8.2uH +-5%	03273	15M821J
L304	9100-2261	1	INDUCTOR RF-CH-MLD 2.7uH +-10%	05826	1025-30
L305	9140-0400	1	INDUCTOR RF-CH-MLD 8.2uH +-5%	03273	15M821J

*Indicates factory-selected value

**HP Part Number 08563-60088
Frequency Control (continued)**

Reference Designator	HP Part Number	Qty	Description	Mfr Code	Mfr Part Number
L306	9100-2261	1	INDUCTOR RF-CH-MLD 2.7uH +-10%	05826	1025-30
L307	9100-2891	1	INDUCTOR RF-CH-MLD 50nH +-10%	03273	10M050K-1
L308	9135-0078	1	INDUCTOR RF-CH-MLD 82nH +-5.61%	05524	9135-0078
L309	9135-0071	1	INDUCTOR RF-CH-MLD 62nH +-5.806%	05524	9135-0071
L310	9140-0158	1	INDUCTOR RF-CH-MLD 1uH +-10%	05826	1025-20
L311	9140-0158	1	INDUCTOR RF-CH-MLD 1uH +-10%	05826	1025-20
L313	9100-2256	1	INDUCTOR RF-CH-MLD 560nH +-10%	03273	10M560K
L314	9100-2247	1	INDUCTOR RF-CH-MLD 100nH +-10%	03273	10M100K
L315	9100-2247	1	INDUCTOR RF-CH-MLD 100nH +-10%	03273	10M100K
L316	9100-2261	1	INDUCTOR RF-CH-MLD 2.7uH +-10%	05826	1025-30
L321	9100-2256	1	INDUCTOR RF-CH-MLD 560nH +-10%	03273	10M560K
L322	9100-2256	1	INDUCTOR RF-CH-MLD 560nH +-10%	03273	10M560K
L323	9100-2252	1	INDUCTOR RF-CH-MLD 270nH +-10%	05524	IM-2 .27UH 10%
L512	9100-1788	1	CORE-FERRITE CHOKE-WIDEBAND;IMP;>680	11212	LB2/2.5ZB
L541	9140-0565	1	INDUCTOR RF-CH-MLD 43uH +-5%	05524	IM-2 43UH 5%
L560	9100-3314	1	INDUCTOR RF-CH-MLD 150nH +-5%	05524	IM-4.15UH 5%
L561	9100-2891	1	INDUCTOR RF-CH-MLD 50nH +-10%	03273	10M050K-1
L562	9140-0450	1	INDUCTOR RF-CH-MLD 270nH +-5%	03273	15M270J
L563	9100-2891	1	INDUCTOR RF-CH-MLD 50nH +-10%	03273	10M050K-1
L564	9100-3314	1	INDUCTOR RF-CH-MLD 150nH +-5%	05524	IM-4.15UH 5%
L601	9140-0738	1	INDUCTOR 100uH .6W-INX.7LG-IN	01869	52405
MP2	1205-1181	2	HEAT SINK SGL TO-220-CS	07179	577002B00500
MP3	5002-4029	1	HEAT SINK	09507	5002-4029
MP4	1205-0011	2	HEAT SINK TO-5/TO-39-CS	05792	TXBF-032-025B
MP5	1200-0173	3	INSULATOR-XSTR DAP-GL	14283	A-10001 DAP
MP6	1200-0172	2	INSULATOR-XSTR DAP-GL	14283	10042-DAP
MP7	2360-0330	2	SCREW-MACH 6-32 .188-IN-LG PAN-HD-POZI	04559	ESLOK
MP8	5021-6733	1	SHLD-TOP RLR OSC	28480	5021-6733
MP9	5021-6734	1	SHLD-BOT RLR OSC	28480	5021-6734
MP10	0340-1173	1	INSULATOR 0.015 IN THK G-10 MATERIAL	02739	B14-047-02
MP11	1258-0141	2	JUMPER-REMOVABLE FOR 0.025 IN SQ PINS	01380	530153-2
MP12	0515-0430	1	SCREW-MACHINE ASSEMBLY M3 X 0.5 6MM-LG	07606	0515-0430
Q101	1855-0555	1	TRANSISTOR MOSFET N-CHAN E-MODE SI	02883	VN0300L
Q102	1855-0241	1	TRANSISTOR MOSFET N-CHAN E-MODE TO-72 SI	02883	SD215DE
Q103	1855-0555	1	TRANSISTOR MOSFET N-CHAN E-MODE SI	02883	VN0300L

HP Part Number 08563-60088
Frequency Control (continued)

Reference Designator	HP Part Number	Qty	Description	Mfr Code	Mfr Part Number
Q104	1855-0241	1	TRANSISTOR MOSFET N-CHAN E-MODE TO-72 SI	02883	SD215DE
Q105	1855-0555	1	TRANSISTOR MOSFET N-CHAN E-MODE SI	02883	VN0300L
Q106	1855-0280	1	TRANSISTOR J-FET N-CHAN D-MODE TO-92 SI	28480	1855-0280
Q301	1855-0509	1	TRANSISTOR MOSFET P-CHAN E-MODE TO-220	37338	IRF9520
Q302	1855-0509	1	TRANSISTOR MOSFET P-CHAN E-MODE TO-220	37338	IRF9520
Q303	1855-0421	1	TRANSISTOR J-FET 2N5114 P-CHAN D-MODE	02883	2N5114
Q304	1855-0421	1	TRANSISTOR J-FET 2N5114 P-CHAN D-MODE	02883	2N5114
Q305	1855-0414	1	TRANSISTOR J-FET 2N4393 N-CHAN D-MODE	02883	2N4393
Q306	1854-0637	1	TRANSISTOR NPN 2N2219A SI TO-5 PD=800MW	11699	2N2219A
Q307	1853-0314	1	TRANSISTOR PNP 2N2905A SI TO-39 PD=400MW	11699	2N2905A
Q308	LTB1854-0477KI	1		28480	LTB1854-0477KI
Q310	1853-0281	1	TRANSISTOR PNP 2N2907A SI TO-18 PD=400MW	04078	2N2907A
Q311	1855-0522	1	TRANSISTOR MOSFET P-CHAN E-MODE SI	03038	IRFD9120
Q401	1853-0213	1	TRANSISTOR PNP 2N4236 SI TO-39 PD=1W	11699	2N4236
Q402	LTB1854-0477KI	1		28480	LTB1854-0477KI
Q403	LTB1854-0477KI	1		28480	LTB1854-0477KI
Q404	1855-0581	1	TRANSISTOR MOSFET N-CHAN E-MODE TO-220AB	03038	IRF520N
R1	0757-0442	1	RESISTOR 10K +-1% .125W TF TC=0+-100	05524	CMF-551002FT-1
R2	0757-0442	1	RESISTOR 10K +-1% .125W TF TC=0+-100	05524	CMF-551002FT-1
R3	0757-0401	1	RESISTOR 100 +-1% .125W TF TC=0+-100	05524	CMF-551000FT-1
R4	0757-0438	1	RESISTOR 5.11K +-1% .125W TF TC=0+-100	06424	NK4H-100PPM5111
R5	0699-0642	1	RESISTOR 10K +-0.1% .1W TF TC=0+-5	05524	PTF-5610K0BT-16
R6	0699-0533	1	RESISTOR 4.64K +-0.1% .125W TF TC=0+-25	05524	CMF-554641BT-9
R7	0698-8824	1	RESISTOR 562K +-1% .125W TF TC=0+-100	05524	CMF-555623FT-1
R8	0757-0442	1	RESISTOR 10K +-1% .125W TF TC=0+-100	05524	CMF-551002FT-1
R9	0757-0279	1	RESISTOR 3.16K +-1% .125W TF TC=0+-100	05524	CMF-553161FT-1
R10	0698-3450	1	RESISTOR 42.2K +-1% .125W TF TC=0+-100	06424	NK4H-100PPM4222
R11	0698-0084	1	RESISTOR 2.15K +-1% .125W TF TC=0+-100	06424	NK4H-100PPM2151
R12	0699-0642	1	RESISTOR 10K +-0.1% .1W TF TC=0+-5	05524	PTF-5610K0BT-16
R13	0699-0642	1	RESISTOR 10K +-0.1% .1W TF TC=0+-5	05524	PTF-5610K0BT-16
R14	0698-3442	1	RESISTOR 237 +-1% .125W TF TC=0+-100	05524	CMF-552370FT-1
R15	0698-6322	1	RESISTOR 4K +-0.1% .125W TF TC=0+-25	05524	CMF-554001BT-9
R16	0757-0443	1	RESISTOR 11K +-1% .125W TF TC=0+-100	05524	CMF-551102FT-1
R17	0757-0288	1	RESISTOR 9.09K +-1% .125W TF TC=0+-100	05524	CMF-559091FT-1
R18	0698-3153	1	RESISTOR 3.83K +-1% .125W TF TC=0+-100	05524	CMF-553831FT-1

*Indicates factory-selected value

CLIP 08563-90124 9

**HP Part Number 08563-60088
Frequency Control (continued)**

Reference Designator	HP Part Number	Qty	Description	Mfr Code	Mfr Part Number
R19	0757-0279	1	RESISTOR 3.16K +-1% .125W TF TC=0+-100	05524	CMF-553161FT-1
R20	0698-0083	1	RESISTOR 1.96K +-1% .125W TF TC=0+-100	06424	NK4H.125W1%+/-100PPM1961
R21	0698-6322	1	RESISTOR 4K +-0.1% .125W TF TC=0+-25	05524	CMF-554001BT-9
R22	0698-6322	1	RESISTOR 4K +-0.1% .125W TF TC=0+-25	05524	CMF-554001BT-9
R23	0698-3450	1	RESISTOR 42.2K +-1% .125W TF TC=0+-100	06424	NK4H.125W1%+/-100PPM4222
R24	0698-3460	1	RESISTOR 422K +-1% .125W TF TC=0+-100	05524	CMF-554223FT-1
R25	0757-0200	1	RESISTOR 5.62K +-1% .125W TF TC=0+-100	05524	CMF-555621FT-1
R26	0757-0420	1	RESISTOR 750 +-1% .125W TF TC=0+-100	05524	CMF-557500FT-1
R27	0757-0440	1	RESISTOR 7.5K +-1% .125W TF TC=0+-100	05524	CMF-557501FT-1
R28	0757-0465	1	RESISTOR 100K +-1% .125W TF TC=0+-100	05524	CMF-551003FT-1
R29	0698-8824	1	RESISTOR 562K +-1% .125W TF TC=0+-100	05524	CMF-555623FT-1
R30	0757-0459	1	RESISTOR 56.2K +-1% .125W TF TC=0+-100	06424	NK4H.125W1%+/-100PPM5622
R31	0757-0465	1	RESISTOR 100K +-1% .125W TF TC=0+-100	05524	CMF-551003FT-1
R32	0698-6619	1	RESISTOR 15K +-0.1% .125W TF TC=0+-25	05524	CMF-551502BT-9
R33	0698-6619	1	RESISTOR 15K +-0.1% .125W TF TC=0+-25	05524	CMF-551502BT-9
R34	0698-3150	1	RESISTOR 2.37K +-1% .125W TF TC=0+-100	06424	NK4H.125W1%+/-100PPM2371
R35	0698-6360	1	RESISTOR 10K +-0.1% .125W TF TC=0+-25	05524	CMF-551002BT-9
R36	0698-6360	1	RESISTOR 10K +-0.1% .125W TF TC=0+-25	05524	CMF-551002BT-9
R37	0699-0642	1	RESISTOR 10K +-0.1% .1W TF TC=0+-5	05524	PTF-5610K0BT-16
R39	0699-0642	1	RESISTOR 10K +-0.1% .1W TF TC=0+-5	05524	PTF-5610K0BT-16
R40	0699-0118	1	RESISTOR 20K +-0.1% .1W TF TC=0+-5	05524	PTF-5620K0BT-16
R41	0699-0118	1	RESISTOR 20K +-0.1% .1W TF TC=0+-5	05524	PTF-5620K0BT-16
R42	2100-3863	1	RESISTOR-TRMR 200 10% TKF TOP-ADJ 17-TRN	03744	3299W-DM3-201
R43	0698-8821	1	RESISTOR 5.62 +-1% .125W TF TC=0+-100	05524	CMF-555R62FT-1
R44	0699-0555	1	RESISTOR 100 +-0.1% .3W MF TC=0+-5	05524	VSR 100R .1%
R45	0757-0280	1	RESISTOR 1K +-1% .125W TF TC=0+-100	05524	CMF-551001FT-1
R46	0698-3155	1	RESISTOR 4.64K +-1% .125W TF TC=0+-100	06424	NK4H.125W1%+/-100PPM4641
R47	0698-7229	1	RESISTOR 511 +-1% .05W TF TC=0+-100	06424	NK3H.05W1%+/-100PPM511R0
R48	0757-0394	1	RESISTOR 51.1 +-1% .125W TF TC=0+-100	05524	CMF-5551R1FT-1
R49	0698-7222	1	RESISTOR 261 +-1% .05W TF TC=0+-100	06424	NK3H.05W1%+/-100PPM261R0
R50	0757-0442	1	RESISTOR 10K +-1% .125W TF TC=0+-100	05524	CMF-551002FT-1
R51	0698-7283	1	RESISTOR 90.9K +-1% .05W TF TC=0+-100	05524	CMF-509092FT-1
R52	0698-3457	1	RESISTOR 316K +-1% .125W TF TC=0+-100	05524	CMF-553163FT-1
R53	0698-6320	1	RESISTOR 5K +-0.1% .125W TF TC=0+-25	05524	CMF-555001BT-9
R54	0698-6320	1	RESISTOR 5K +-0.1% .125W TF TC=0+-25	05524	CMF-555001BT-9

HP Part Number 08563-60088
Frequency Control (continued)

Reference Designator	HP Part Number	Qty	Description	Mfr Code	Mfr Part Number
R55	0698-7255	1	RESISTOR 6.19K +-1% .05W TF TC=0+-100	05524	CMF-506191FT-1
R56	0698-7268	1	RESISTOR 21.5K +-1% .05W TF TC=0+-100	05524	CMF-502152FT-1
R57	0698-6967	1	RESISTOR 32.5K +-1% .125W TF TC=0+-25	05524	CMF-553252FT-9
R58	0698-6323	1	RESISTOR 100 +-0.1% .125W TF TC=0+-25	05524	CMF-551000BT-9
R59	0698-7212	1	RESISTOR 100 +-1% .05W TF TC=0+-100	06424	NK3H.05W1%+/-100PPM100R0
R60	0699-0555	1	RESISTOR 100 +-0.1% .3W MF TC=0+-5	05524	VSR 100R .1%
R61	0699-0555	1	RESISTOR 100 +-0.1% .3W MF TC=0+-5	05524	VSR 100R .1%
R62	0698-7198	1	RESISTOR 26.1 +-1% .05W TF TC=0+-100	06424	NK3H.05W1%+/-100PPM26R1
R63	0757-0438	1	RESISTOR 5.11K +-1% .125W TF TC=0+-100	06424	NK4H.125W1%+/-100PPM5111
R64	0757-0438	1	RESISTOR 5.11K +-1% .125W TF TC=0+-100	06424	NK4H.125W1%+/-100PPM5111
R65	0757-0280	1	RESISTOR 1K +-1% .125W TF TC=0+-100	05524	CMF-551001FT-1
R66	0757-0401	1	RESISTOR 100 +-1% .125W TF TC=0+-100	05524	CMF-551000FT-1
R67	0757-0401	1	RESISTOR 100 +-1% .125W TF TC=0+-100	05524	CMF-551000FT-1
R68	0757-0401	1	RESISTOR 100 +-1% .125W TF TC=0+-100	05524	CMF-551000FT-1
R69	0698-3152	1	RESISTOR 3.48K +-1% .125W TF TC=0+-100	05524	CMF-553481FT-1
R70	0698-6360	1	RESISTOR 10K +-0.1% .125W TF TC=0+-25	05524	CMF-551002BT-9
R71	0698-6322	1	RESISTOR 4K +-0.1% .125W TF TC=0+-25	05524	CMF-554001BT-9
R72	0698-6624	1	RESISTOR 2K +-0.1% .125W TF TC=0+-25	05524	CMF-552001BT-9
R73	0757-0003	1	RESISTOR 26.1 +-1% .5W TF TC=0+-100	01074	H226R1FZ
R74	0757-0003	1	RESISTOR 26.1 +-1% .5W TF TC=0+-100	01074	H226R1FZ
R75	0698-3439	1	RESISTOR 178 +-1% .125W TF TC=0+-100	05524	CMF-551780FT-1
R76	2100-1774	1	RESISTOR-TRMR 2K 5% WW TOP-ADJ 1-TRN	06026	CT-100-4-2K
R77	0757-0003	1	RESISTOR 26.1 +-1% .5W TF TC=0+-100	01074	H226R1FZ
R78	0698-3153	1	RESISTOR 3.83K +-1% .125W TF TC=0+-100	05524	CMF-553831FT-1
R79	0699-2107	1	RESISTOR 63.93K +-0.1% .125W TF TC=0+-5	33830	UXBA63K930B
R80	0699-2109	1	RESISTOR 25K +-0.1% .125W TF TC=0+-5	33830	UXBA25K000B
R81	0699-2108	1	RESISTOR 50K +-0.1% .125W TF TC=0+-5	33830	UXBA50K000B
R82	0699-2108	1	RESISTOR 50K +-0.1% .125W TF TC=0+-5	33830	UXBA50K000B
R83	0757-0280	1	RESISTOR 1K +-1% .125W TF TC=0+-100	05524	CMF-551001FT-1
R84	0698-7260	1	RESISTOR 10K +-1% .05W TF TC=0+-100	06424	NK3H.05W1%+/-100PPM1002
R85	0698-7253	1	RESISTOR 5.11K +-1% .05W TF TC=0+-100	06424	NK3H.05W1%+/-100PPM5111
R86	0698-7253	1	RESISTOR 5.11K +-1% .05W TF TC=0+-100	06424	NK3H.05W1%+/-100PPM5111
R87	0698-6353	1	RESISTOR 50K +-0.1% .125W TF TC=0+-25	05524	CMF-555002BT-9
R88	0699-2113	1	RESISTOR 2K +-0.1% .125W TF TC=0+-5	33830	UXBA2K0000B
R89	0699-2114	1	RESISTOR 1K +-0.1% .125W TF TC=0+-5	05524	PTF-561K000BT-16

*Indicates factory-selected value

**HP Part Number 08563-60088
Frequency Control (continued)**

Reference Designator	HP Part Number	Qty	Description	Mfr Code	Mfr Part Number
R90	0699-0118	1	RESISTOR 20K +-0.1% .1W TF TC=0+-5	05524	PTF-5620K0BT-16
R91	0699-1823	1	RESISTOR 30 +-1% .3W MF TC=0+-5	05524	S102K 30R 1.0%
R92	0698-6620	1	RESISTOR 150K +-0.1% .125W TF TC=0+-25	05524	CMF-551503BT-9
R93	2100-3876	1	RESISTOR-TRMR 1K 10% TKF TOP-ADJ 17-TRN	04568	68WR1K
R94	0757-0280	1	RESISTOR 1K +-1% .125W TF TC=0+-100	05524	CMF-551001FT-1
R95	0698-6360	1	RESISTOR 10K +-0.1% .125W TF TC=0+-25	05524	CMF-551002BT-9
R96	0698-6360	1	RESISTOR 10K +-0.1% .125W TF TC=0+-25	05524	CMF-551002BT-9
R97	0757-0438	1	RESISTOR 5.11K +-1% .125W TF TC=0+-100	06424	NK4H.125W1%+/-100PPM5111
R99	0757-0458	1	RESISTOR 51.1K +-1% .125W TF TC=0+-100	06424	NK4H.125W1%+/-100PPM5112
R100	0698-3152	1	RESISTOR 3.48K +-1% .125W TF TC=0+-100	05524	CMF-553481FT-1
R101	0698-7260	1	RESISTOR 10K +-1% .05W TF TC=0+-100	06424	NK3H.05W1%+/-100PPM1002
R102	0698-7260	1	RESISTOR 10K +-1% .05W TF TC=0+-100	06424	NK3H.05W1%+/-100PPM1002
R103	0698-7275	1	RESISTOR 42.2K +-1% .05W TF TC=0+-100	06424	NK3H.05W1%+/-100PPM4222
R104	0698-8827	1	RESISTOR 1M +-1% .125W TF TC=0+-100	05524	CMF-551004FT-1
R105	0699-0642	1	RESISTOR 10K +-0.1% .1W TF TC=0+-5	05524	PTF-5610K0BT-16
R106	0698-3440	1	RESISTOR 196 +-1% .125W TF TC=0+-100	05524	CMF-551960FT-1
R107	0757-0438	1	RESISTOR 5.11K +-1% .125W TF TC=0+-100	06424	NK4H.125W1%+/-100PPM5111
R108	0698-6320	1	RESISTOR 5K +-0.1% .125W TF TC=0+-25	05524	CMF-555001BT-9
R109	0698-3153	1	RESISTOR 3.83K +-1% .125W TF TC=0+-100	05524	CMF-553831FT-1
R110	0757-0442	1	RESISTOR 10K +-1% .125W TF TC=0+-100	05524	CMF-551002FT-1
R111	0757-0442	1	RESISTOR 10K +-1% .125W TF TC=0+-100	05524	CMF-551002FT-1
R112	0699-2125	1	RESISTOR 643.7K +-1% .125W TF TC=0+-100	05524	CMF-55643R7KFT-1
R113	0699-2111	1	RESISTOR 17.14K +-0.1% .125W TF TC=0+-5	33830	UXBA17K140B
R114	0699-2106	1	RESISTOR 100K +-0.1% .125W TF TC=0+-5	33830	UXBA100K00B
R115	0757-0465	1	RESISTOR 100K +-1% .125W TF TC=0+-100	05524	CMF-551003FT-1
R116	0757-0465	1	RESISTOR 100K +-1% .125W TF TC=0+-100	05524	CMF-551003FT-1
R120	0699-2104	1	RESISTOR 169.5K +-0.1% .125W TF TC=0+-5	33830	UXBA169K50B
R121	0699-0642	1	RESISTOR 10K +-0.1% .1W TF TC=0+-5	05524	PTF-5610K0BT-16
R122	0699-2122	1	RESISTOR 55.5K +-0.1% .125W TF TC=0+-25	05524	CMF-555552BT-9
R123	0698-6360	1	RESISTOR 10K +-0.1% .125W TF TC=0+-25	05524	CMF-551002BT-9
R124	0757-0442	1	RESISTOR 10K +-1% .125W TF TC=0+-100	05524	CMF-551002FT-1
R125	0757-0401	1	RESISTOR 100 +-1% .125W TF TC=0+-100	05524	CMF-551000FT-1
R126	0699-0555	1	RESISTOR 100 +-0.1% .3W MF TC=0+-5	05524	VSR 100R .1%
R127	0699-1823	1	RESISTOR 30 +-1% .3W MF TC=0+-5	05524	S102K 30R 1.0%
R128	0699-1823	1	RESISTOR 30 +-1% .3W MF TC=0+-5	05524	S102K 30R 1.0%

HP Part Number 08563-60088
Frequency Control (continued)

Reference Designator	HP Part Number	Qty	Description	Mfr Code	Mfr Part Number
R129	0757-0442	1	RESISTOR 10K +-1% .125W TF TC=0+-100	05524	CMF-551002FT-1
R132	0699-2105	1	RESISTOR 150K +-0.1% .125W TF TC=0+-5	33830	UXBA150K00B
R135	0757-0442	1	RESISTOR 10K +-1% .125W TF TC=0+-100	05524	CMF-551002FT-1
R137	0698-6360	1	RESISTOR 10K +-0.1% .125W TF TC=0+-25	05524	CMF-551002BT-9
R138	0698-6362	1	RESISTOR 1K +-0.1% .125W TF TC=0+-25	05524	CMF-551001BT-9
R139	0698-7912	1	RESISTOR 111.1 +-0.25% .125W TF	05524	CMF-55111R1CT-1
R142	0698-3161	1	RESISTOR 38.3K +-1% .125W TF TC=0+-100	06424	NK4H.125W1%+/-100PPM3832
R143	0698-3454	1	RESISTOR 215K +-1% .125W TF TC=0+-100	06424	NK4H.125W1%+/-100PPM2153
R144	0699-0118	1	RESISTOR 20K +-0.1% .1W TF TC=0+-5	05524	PTF-5620K0BT-16
R145	0699-0642	1	RESISTOR 10K +-0.1% .1W TF TC=0+-5	05524	PTF-5610K0BT-16
R146	0698-8530	1	RESISTOR 64.9K +-0.1% .125W TF TC=0+-25	05524	CMF-556492BT-9
R162	0698-3441	1	RESISTOR 215 +-1% .125W TF TC=0+-100	06424	NK4H.125W1%+/-100PPM215R0
R164	0698-7218	1	RESISTOR 178 +-1% .05W TF TC=0+-100	06424	NK3H.05W1%+/-100PPM178R0
R165	0698-7218	1	RESISTOR 178 +-1% .05W TF TC=0+-100	06424	NK3H.05W1%+/-100PPM178R0
R166	0698-8958	1	RESISTOR 511K +-1% .125W TF TC=0+-100	05524	CMF-555113FT-1
R167	0698-8958	1	RESISTOR 511K +-1% .125W TF TC=0+-100	05524	CMF-555113FT-1
R168	0811-3587	1	RESISTOR 0 CWM	03123	104
R169	0811-3587	1	RESISTOR 0 CWM	03123	104
R175	0698-7212	1	RESISTOR 100 +-1% .05W TF TC=0+-100	06424	NK3H.05W1%+/-100PPM100R0
R176	0698-7212	1	RESISTOR 100 +-1% .05W TF TC=0+-100	06424	NK3H.05W1%+/-100PPM100R0
R177	0698-7212	1	RESISTOR 100 +-1% .05W TF TC=0+-100	06424	NK3H.05W1%+/-100PPM100R0
R178	0698-7212	1	RESISTOR 100 +-1% .05W TF TC=0+-100	06424	NK3H.05W1%+/-100PPM100R0
R179	0698-7212	1	RESISTOR 100 +-1% .05W TF TC=0+-100	06424	NK3H.05W1%+/-100PPM100R0
R180	0698-7212	1	RESISTOR 100 +-1% .05W TF TC=0+-100	06424	NK3H.05W1%+/-100PPM100R0
R301	0698-7250	1	RESISTOR 3.83K +-1% .05W TF TC=0+-100	05524	CMF-503831FT-1
R302	0698-7284	1	RESISTOR 100K +-1% .05W TF TC=0+-100	05524	CMF-501003FT-1
R303	0698-7263	1	RESISTOR 13.3K +-1% .05W TF TC=0+-100	05524	CMF-501332FT-1
R304	0757-0289	1	RESISTOR 13.3K +-1% .125W TF TC=0+-100	06424	NK4H.125W1%+/-100PPM1332
R305	0757-0289	1	RESISTOR 13.3K +-1% .125W TF TC=0+-100	06424	NK4H.125W1%+/-100PPM1332
R306	0757-0289	1	RESISTOR 13.3K +-1% .125W TF TC=0+-100	06424	NK4H.125W1%+/-100PPM1332
R307	0698-7260	1	RESISTOR 10K +-1% .05W TF TC=0+-100	06424	NK3H.05W1%+/-100PPM1002
R308	0698-7253	1	RESISTOR 5.11K +-1% .05W TF TC=0+-100	06424	NK3H.05W1%+/-100PPM5111
R309	0698-7260	1	RESISTOR 10K +-1% .05W TF TC=0+-100	06424	NK3H.05W1%+/-100PPM1002
R311	0698-7284	1	RESISTOR 100K +-1% .05W TF TC=0+-100	05524	CMF-501003FT-1
R312	0698-7260	1	RESISTOR 10K +-1% .05W TF TC=0+-100	06424	NK3H.05W1%+/-100PPM1002

*Indicates factory-selected value

**HP Part Number 08563-60088
Frequency Control (continued)**

Reference Designator	HP Part Number	Qty	Description	Mfr Code	Mfr Part Number
R313	0698-7284	1	RESISTOR 100K +-1% .05W TF TC=0+-100	05524	CMF-501003FT-1
R315	0757-0442	1	RESISTOR 10K +-1% .125W TF TC=0+-100	05524	CMF-551002FT-1
R316	0757-0401	1	RESISTOR 100 +-1% .125W TF TC=0+-100	05524	CMF-551000FT-1
R317	0698-7229	1	RESISTOR 511 +-1% .05W TF TC=0+-100	06424	NK3H.05W1%+/-100PPM511R0
R321	0698-3446	1	RESISTOR 383 +-1% .125W TF TC=0+-100	05524	CMF-553830FT-1
R322	0757-0394	1	RESISTOR 51.1 +-1% .125W TF TC=0+-100	05524	CMF-5551R1FT-1
R323	0698-7248	1	RESISTOR 3.16K +-1% .05W TF TC=0+-100	05524	CMF-503161FT-1
R324	0698-7268	1	RESISTOR 21.5K +-1% .05W TF TC=0+-100	05524	CMF-502152FT-1
R325	0698-7260	1	RESISTOR 10K +-1% .05W TF TC=0+-100	06424	NK3H.05W1%+/-100PPM1002
R326	0757-0442	1	RESISTOR 10K +-1% .125W TF TC=0+-100	05524	CMF-551002FT-1
R327	0698-7236	1	RESISTOR 1K +-1% .05W TF TC=0+-100	06424	NK3H.05W1%+/-100PPM1001
R328	0698-7212	1	RESISTOR 100 +-1% .05W TF TC=0+-100	06424	NK3H.05W1%+/-100PPM100R0
R329	0757-0401	1	RESISTOR 100 +-1% .125W TF TC=0+-100	05524	CMF-551000FT-1
R330	0698-7229	1	RESISTOR 511 +-1% .05W TF TC=0+-100	06424	NK3H.05W1%+/-100PPM511R0
R331	0757-1094	1	RESISTOR 1.47K +-1% .125W TF TC=0+-100	05524	CMF-551471FT-1
R332	0699-0068	1	RESISTOR 1.47M +-1% .125W TF TC=0+-100	05524	CMF-551474FT-1
R333	0698-3449	1	RESISTOR 28.7K +-1% .125W TF TC=0+-100	05524	CMF-552872FT-1
R334	0757-0442	1	RESISTOR 10K +-1% .125W TF TC=0+-100	05524	CMF-551002FT-1
R335	0757-0202	1	RESISTOR 13.7K +-1% .125W TF TC=0+-50	05524	CMF-551372FT-2
R336	0698-3260	1	RESISTOR 464K +-1% .125W TF TC=0+-100	05524	CMF-554643FT-1
R337	0698-3155	1	RESISTOR 4.64K +-1% .125W TF TC=0+-100	06424	NK4H.125W1%+/-100PPM4641
R338	0698-3154	1	RESISTOR 4.22K +-1% .125W TF TC=0+-100	05524	CMF-554221FT-1
R340	0698-3156	1	RESISTOR 14.7K +-1% .125W TF TC=0+-100	05524	CMF-551472FT-1
R341	0698-7229	1	RESISTOR 511 +-1% .05W TF TC=0+-100	06424	NK3H.05W1%+/-100PPM511R0
R342	0757-0280	1	RESISTOR 1K +-1% .125W TF TC=0+-100	05524	CMF-551001FT-1
R345	0698-7236	1	RESISTOR 1K +-1% .05W TF TC=0+-100	06424	NK3H.05W1%+/-100PPM1001
R347	0757-0394	1	RESISTOR 51.1 +-1% .125W TF TC=0+-100	05524	CMF-5551R1FT-1
R348	0757-0394	1	RESISTOR 51.1 +-1% .125W TF TC=0+-100	05524	CMF-5551R1FT-1
R349	0757-0394	1	RESISTOR 51.1 +-1% .125W TF TC=0+-100	05524	CMF-5551R1FT-1
R350	0698-7189	1	RESISTOR 11 +-1% .05W TF TC=0+-100	06424	NK3H.05W1%+/-100PPM11R0
R351	0698-7189	1	RESISTOR 11 +-1% .05W TF TC=0+-100	06424	NK3H.05W1%+/-100PPM11R0
R352	0698-7213	1	RESISTOR 110 +-1% .05W TF TC=0+-100	05524	CMF-501100FT-1
R353	0698-7193	1	RESISTOR 16.2 +-1% .05W TF TC=0+-100	05524	CMF-5016R2FT-1
R354	0698-7193	1	RESISTOR 16.2 +-1% .05W TF TC=0+-100	05524	CMF-5016R2FT-1
R355	0698-7208	1	RESISTOR 68.1 +-1% .05W TF TC=0+-100	05524	CMF-5068R1FT-1

**HP Part Number 08563-60088
Frequency Control (continued)**

Reference Designator	HP Part Number	Qty	Description	Mfr Code	Mfr Part Number
R356	0698-7205	1	RESISTOR 51.1 +-1% .05W TF TC=0+-100	05524	CMF-5051R1FT-1'
R357	0698-7212	1	RESISTOR 100 +-1% .05W TF TC=0+-100	06424	NK3H.05W1%+/-100PPM100R0
R358	0698-7260	1	RESISTOR 10K +-1% .05W TF TC=0+-100	06424	NK3H.05W1%+/-100PPM1002
R359	0698-7220	1	RESISTOR 215 +-1% .05W TF TC=0+-100	06424	NK3H.05W1%+/-100PPM215R0
R360	0698-7246	1	RESISTOR 2.61K +-1% .05W TF TC=0+-100	06424	NK3H.05W1%+/-100PPM2611
R361	0698-7268	1	RESISTOR 21.5K +-1% .05W TF TC=0+-100	05524	CMF-502152FT-1
R362	0698-7284	1	RESISTOR 100K +-1% .05W TF TC=0+-100	05524	CMF-501003FT-1
R363	0698-7268	1	RESISTOR 21.5K +-1% .05W TF TC=0+-100	05524	CMF-502152FT-1
R364	0698-7284	1	RESISTOR 100K +-1% .05W TF TC=0+-100	05524	CMF-501003FT-1
R365	0698-7229	1	RESISTOR 511 +-1% .05W TF TC=0+-100	06424	NK3H.05W1%+/-100PPM511R0
R366	0698-7229	1	RESISTOR 511 +-1% .05W TF TC=0+-100	06424	NK3H.05W1%+/-100PPM511R0
R367	0698-7241	1	RESISTOR 1.62K +-1% .05W TF TC=0+-100	06424	NK3H.05W1%+/-100PPM1621
R368	0757-0346	1	RESISTOR 10 +-1% .125W TF TC=0+-100	06424	NK4H.125W1%+/-100PPM10R0
R369	0698-8615	1	RESISTOR 75K +-1% .05W TF TC=0+-100	06424	NK3H.05W1%+/-100PPM7502
R370	0698-7236	1	RESISTOR 1K +-1% .05W TF TC=0+-100	06424	NK3H.05W1%+/-100PPM1001
R371	0698-7260	1	RESISTOR 10K +-1% .05W TF TC=0+-100	06424	NK3H.05W1%+/-100PPM1002
R372	0698-7241	1	RESISTOR 1.62K +-1% .05W TF TC=0+-100	06424	NK3H.05W1%+/-100PPM1621
R373	0698-7246	1	RESISTOR 2.61K +-1% .05W TF TC=0+-100	06424	NK3H.05W1%+/-100PPM2611
R375	0698-7260	1	RESISTOR 10K +-1% .05W TF TC=0+-100	06424	NK3H.05W1%+/-100PPM1002
R376	0698-7260	1	RESISTOR 10K +-1% .05W TF TC=0+-100	06424	NK3H.05W1%+/-100PPM1002
R377	0698-7284	1	RESISTOR 100K +-1% .05W TF TC=0+-100	05524	CMF-501003FT-1
R379	0698-3444	1	RESISTOR 316 +-1% .125W TF TC=0+-100	06424	NK4H.125W1%+/-100PPM316R0
R380	0698-7260	1	RESISTOR 10K +-1% .05W TF TC=0+-100	06424	NK3H.05W1%+/-100PPM1002
R381	0757-0420	1	RESISTOR 750 +-1% .125W TF TC=0+-100	05524	CMF-557500FT-1
R382	0698-7260	1	RESISTOR 10K +-1% .05W TF TC=0+-100	06424	NK3H.05W1%+/-100PPM1002
R383	0698-7271	1	RESISTOR 28.7K +-1% .05W TF TC=0+-100	05524	CMF-502872FT-1
R384	0698-7248	1	RESISTOR 3.16K +-1% .05W TF TC=0+-100	05524	CMF-503161FT-1
R386	0698-7260	1	RESISTOR 10K +-1% .05W TF TC=0+-100	06424	NK3H.05W1%+/-100PPM1002
R387	0698-7260	1	RESISTOR 10K +-1% .05W TF TC=0+-100	06424	NK3H.05W1%+/-100PPM1002
R388	0698-7228	1	RESISTOR 464 +-1% .05W TF TC=0+-100	06424	NK3H.05W1%+/-100PPM464R0
R389	0757-0438	1	RESISTOR 5.11K +-1% .125W TF TC=0+-100	06424	NK4H.125W1%+/-100PPM5111
R390	0698-7284	1	RESISTOR 100K +-1% .05W TF TC=0+-100	05524	CMF-501003FT-1
R391	0698-7280	1	RESISTOR 68.1K +-1% .05W TF TC=0+-100	05524	CMF-506812FT-1
R392	0698-7236	1	RESISTOR 1K +-1% .05W TF TC=0+-100	06424	NK3H.05W1%+/-100PPM1001
R396	0757-0401	1	RESISTOR 100 +-1% .125W TF TC=0+-100	05524	CMF-551000FT-1

*Indicates factory-selected value

**HP Part Number 08563-60088
Frequency Control (continued)**

Reference Designator	HP Part Number	Qty	Description	Mfr Code	Mfr Part Number
R397	0698-7260	1	RESISTOR 10K +-1% .05W TF TC=0+-100	06424	NK3H.05W1%+/-100PPM1002
R398	0699-0073	1	RESISTOR 10M +-1% .125W TF TC=0+-100	05524	CMF-551005FT-1
R399	0699-0073	1	RESISTOR 10M +-1% .125W TF TC=0+-100	05524	CMF-551005FT-1
R400	LTB0699-0127KI	1	R 464K 1%.05W	28480	LTB0699-0127KI
R531	0698-7220	1	RESISTOR 215 +-1% .05W TF TC=0+-100	06424	NK3H.05W1%+/-100PPM215R0
R532	0698-7220	1	RESISTOR 215 +-1% .05W TF TC=0+-100	06424	NK3H.05W1%+/-100PPM215R0
R533	0698-7228	1	RESISTOR 464 +-1% .05W TF TC=0+-100	06424	NK3H.05W1%+/-100PPM464R0
R534	0698-7228	1	RESISTOR 464 +-1% .05W TF TC=0+-100	06424	NK3H.05W1%+/-100PPM464R0
R535	0698-7228	1	RESISTOR 464 +-1% .05W TF TC=0+-100	06424	NK3H.05W1%+/-100PPM464R0
R541	0698-7205	1	RESISTOR 51.1 +-1% .05W TF TC=0+-100	05524	CMF-5051R1FT-1'
R542	0698-7212	1	RESISTOR 100 +-1% .05W TF TC=0+-100	06424	NK3H.05W1%+/-100PPM100R0
R543	0698-7236	1	RESISTOR 1K +-1% .05W TF TC=0+-100	06424	NK3H.05W1%+/-100PPM1001
R544	0698-7205	1	RESISTOR 51.1 +-1% .05W TF TC=0+-100	05524	CMF-5051R1FT-1'
R545	0698-7220	1	RESISTOR 215 +-1% .05W TF TC=0+-100	06424	NK3H.05W1%+/-100PPM215R0
R548	0698-7220	1	RESISTOR 215 +-1% .05W TF TC=0+-100	06424	NK3H.05W1%+/-100PPM215R0
R551	0698-7284	1	RESISTOR 100K +-1% .05W TF TC=0+-100	05524	CMF-501003FT-1
R552	0698-7235	1	RESISTOR 909 +-1% .05W TF TC=0+-100	06424	NK3H.05W1%+/-100PPM909R0
R553	0698-7235	1	RESISTOR 909 +-1% .05W TF TC=0+-100	06424	NK3H.05W1%+/-100PPM909R0
R554	0698-7219	1	RESISTOR 196 +-1% .05W TF TC=0+-100	06424	NK3H.05W1%+/-100PPM196R0
R562	0698-7205	1	RESISTOR 51.1 +-1% .05W TF TC=0+-100	05524	CMF-5051R1FT-1'
R563	0698-7205	1	RESISTOR 51.1 +-1% .05W TF TC=0+-100	05524	CMF-5051R1FT-1'
R564	0698-7236	1	RESISTOR 1K +-1% .05W TF TC=0+-100	06424	NK3H.05W1%+/-100PPM1001
R570	0698-7236	1	RESISTOR 1K +-1% .05W TF TC=0+-100	06424	NK3H.05W1%+/-100PPM1001
R571	0698-7225	1	RESISTOR 348 +-1% .05W TF TC=0+-100	06424	NK3H.05W1%+/-100PPM348R0
R580	0698-7236	1	RESISTOR 1K +-1% .05W TF TC=0+-100	06424	NK3H.05W1%+/-100PPM1001
R581	0698-7234	1	RESISTOR 825 +-1% .05W TF TC=0+-100	06424	NK3H.05W1%+/-100PPM825R0
R583	0698-7193	1	RESISTOR 16.2 +-1% .05W TF TC=0+-100	05524	CMF-5016R2FT-1
R584	0698-7212	1	RESISTOR 100 +-1% .05W TF TC=0+-100	06424	NK3H.05W1%+/-100PPM100R0
R585	0698-7225	1	RESISTOR 348 +-1% .05W TF TC=0+-100	06424	NK3H.05W1%+/-100PPM348R0
R586	0698-7212	1	RESISTOR 100 +-1% .05W TF TC=0+-100	06424	NK3H.05W1%+/-100PPM100R0
R587	0698-7197	1	RESISTOR 23.7 +-1% .05W TF TC=0+-100	06424	NK3H.05W1%+/-100PPM23R7
R588	0698-7205	1	RESISTOR 51.1 +-1% .05W TF TC=0+-100	05524	CMF-5051R1FT-1'
R589	0698-7205	1	RESISTOR 51.1 +-1% .05W TF TC=0+-100	05524	CMF-5051R1FT-1'
R590	0698-7225	1	RESISTOR 348 +-1% .05W TF TC=0+-100	06424	NK3H.05W1%+/-100PPM348R0
R591	0698-7236	1	RESISTOR 1K +-1% .05W TF TC=0+-100	06424	NK3H.05W1%+/-100PPM1001

HP Part Number 08563-60088
Frequency Control (continued)

Reference Designator	HP Part Number	Qty	Description	Mfr Code	Mfr Part Number
R592	0698-7188	1	RESISTOR 10 +-1% .05W TF TC=0+-100	06424	NK3H.05W1%+/-100PPM10R0
R593	0698-7228	1	RESISTOR 464 +-1% .05W TF TC=0+-100	06424	NK3H.05W1%+/-100PPM464R0
R594	0698-7228	1	RESISTOR 464 +-1% .05W TF TC=0+-100	06424	NK3H.05W1%+/-100PPM464R0
R601	0698-7260	1	RESISTOR 10K +-1% .05W TF TC=0+-100	06424	NK3H.05W1%+/-100PPM1002
R602	0698-7260	1	RESISTOR 10K +-1% .05W TF TC=0+-100	06424	NK3H.05W1%+/-100PPM1002
R603	0698-7260	1	RESISTOR 10K +-1% .05W TF TC=0+-100	06424	NK3H.05W1%+/-100PPM1002
R604	0698-7260	1	RESISTOR 10K +-1% .05W TF TC=0+-100	06424	NK3H.05W1%+/-100PPM1002
R619	0757-0442	1	RESISTOR 10K +-1% .125W TF TC=0+-100	05524	CMF-551002FT-1
R620	0698-0084	1	RESISTOR 2.15K +-1% .125W TF TC=0+-100	06424	NK4H.125W1%+/-100PPM2151
R621	2100-4184	1	RESISTOR-TRMR 10K 10% TKF TOP-ADJ 1-TRN	03744	3329H-EG9-103
R623	0757-0416	1	RESISTOR 511 +-1% .125W TF TC=0+-100	06424	NK4H.125W1%+/-100PPM511R0
R624	0757-0280	1	RESISTOR 1K +-1% .125W TF TC=0+-100	05524	CMF-551001FT-1
R625	0757-0416	1	RESISTOR 511 +-1% .125W TF TC=0+-100	06424	NK4H.125W1%+/-100PPM511R0
R628	2100-4182	1	RESISTOR-TRMR 2K 10% TKF TOP-ADJ 1-TRN	03744	3329H-EG9-202
R629	0757-0289	1	RESISTOR 13.3K +-1% .125W TF TC=0+-100	06424	NK4H.125W1%+/-100PPM1332
R701	0698-7260	1	RESISTOR 10K +-1% .05W TF TC=0+-100	06424	NK3H.05W1%+/-100PPM1002
R703	0698-7260	1	RESISTOR 10K +-1% .05W TF TC=0+-100	06424	NK3H.05W1%+/-100PPM1002
R704	0698-7260	1	RESISTOR 10K +-1% .05W TF TC=0+-100	06424	NK3H.05W1%+/-100PPM1002
R705	0698-7260	1	RESISTOR 10K +-1% .05W TF TC=0+-100	06424	NK3H.05W1%+/-100PPM1002
R706	0698-7260	1	RESISTOR 10K +-1% .05W TF TC=0+-100	06424	NK3H.05W1%+/-100PPM1002
R707	0698-7260	1	RESISTOR 10K +-1% .05W TF TC=0+-100	06424	NK3H.05W1%+/-100PPM1002
R709	0698-7260	1	RESISTOR 10K +-1% .05W TF TC=0+-100	06424	NK3H.05W1%+/-100PPM1002
R710	0698-7260	1	RESISTOR 10K +-1% .05W TF TC=0+-100	06424	NK3H.05W1%+/-100PPM1002
R711	0698-7260	1	RESISTOR 10K +-1% .05W TF TC=0+-100	06424	NK3H.05W1%+/-100PPM1002
R712	0698-7260	1	RESISTOR 10K +-1% .05W TF TC=0+-100	06424	NK3H.05W1%+/-100PPM1002
R714	0698-7260	1	RESISTOR 10K +-1% .05W TF TC=0+-100	06424	NK3H.05W1%+/-100PPM1002
R716	0698-7260	1	RESISTOR 10K +-1% .05W TF TC=0+-100	06424	NK3H.05W1%+/-100PPM1002
R718	0698-7260	1	RESISTOR 10K +-1% .05W TF TC=0+-100	06424	NK3H.05W1%+/-100PPM1002
R727	0698-7260	1	RESISTOR 10K +-1% .05W TF TC=0+-100	06424	NK3H.05W1%+/-100PPM1002
R730	0698-7260	1	RESISTOR 10K +-1% .05W TF TC=0+-100	06424	NK3H.05W1%+/-100PPM1002
R731	0698-7260	1	RESISTOR 10K +-1% .05W TF TC=0+-100	06424	NK3H.05W1%+/-100PPM1002
R732	0698-7260	1	RESISTOR 10K +-1% .05W TF TC=0+-100	06424	NK3H.05W1%+/-100PPM1002
U101	1820-3964	1	IC PRESCR ECL	28480	1820-3964
U102	1813-0211	1	IC WIDEBAND AMPL TO-39	02688	MWA110
U103	LTB1820-1888KI	1		28480	LTB1820-1888KI

*Indicates factory-selected value

**HP Part Number 08563-60088
Frequency Control (continued)**

Reference Designator	HP Part Number	Qty	Description	Mfr Code	Mfr Part Number
U104	1820-1442	1	IC CNTR TTL/LS DECD ASYNCHRO	02237	DM74LS290N
U105	LTB1820-0630KI	1	ICMC4044 P DET	28480	LTB1820-0630KI
U106	1826-1640	1	IC COMPARATOR HS 8 PIN DIP-C	28480	1826-1640
U107	1826-0285	1	IC PWR MGT-V-REG-FXD-NEG -4.8/-5.2V 3	03406	LM79L05ACZ
U108	1826-0276	1	IC PWR MGT-V-REG-FXD-POS 4.8/5.2V TO-92	03406	LM78L05ACZ
U109	1826-1175	1	IC WIDEBAND AMPL VID-SPCL-FCTN 10 PIN	28480	1826-1175
U110	1820-3405	1	IC MISC CMOS 4-BIT	28480	1820-3405
U111	1826-0547	1	IC OP AMP LOW-BIAS-H-IMPED DUAL 8 PIN	01698	TL072ACP
U112	1826-0791	1	SAMPLE AND HOLD 8 -DIP-P	03406	LF398N
U113	1826-1231	1	D/A 8-DGT 20-PLASTIC CMOS	03285	AD7528KN
U114	1826-1231	1	D/A 8-DGT 20-PLASTIC CMOS	03285	AD7528KN
U115	1826-0547	1	IC OP AMP LOW-BIAS-H-IMPED DUAL 8 PIN	01698	TL072ACP
U116	1826-1361	1	ANALOG SWITCH 4 SPST 16 -DIP-P	02883	DG212CJ
U117	0955-0113	1	U-WAVE MIXER 1 GHZ MAX	02739	TFM-2-38
U118	LTB1813-0212KI	1		28480	LTB1813-0212KI
U119	1826-1231	1	D/A 8-DGT 20-PLASTIC CMOS	03285	AD7528KN
U120	1826-0890	1	IC OP AMP GP DUAL 8 PIN DIP-P	03406	LM358AN
U121	1826-0547	1	IC OP AMP LOW-BIAS-H-IMPED DUAL 8 PIN	01698	TL072ACP
U122	1826-0890	1	IC OP AMP GP DUAL 8 PIN DIP-P	03406	LM358AN
U123	1813-0211	1	IC WIDEBAND AMPL TO-39	02688	MWA110
U124	1820-3405	1	IC MISC CMOS 4-BIT	28480	1820-3405
U125	1826-0276	1	IC PWR MGT-V-REG-FXD-POS 4.8/5.2V TO-92	03406	LM78L05ACZ
U126	1826-0547	1	IC OP AMP LOW-BIAS-H-IMPED DUAL 8 PIN	01698	TL072ACP
U127	1820-3646	1	IC PRESCR ECL	02037	MC12015P
U128	1813-0211	1	IC WIDEBAND AMPL TO-39	02688	MWA110
U201	LTB1813-0212KI	1		28480	LTB1813-0212KI
U202	1820-0920	1	IC RCVR ECL LINE RCVR QUAD 2-INP	28480	1820-0920
U203	LTB1820-3485KI	1	IC34010 F 32GSP	28480	LTB1820-3485KI
U204	LTB1820-1344KI	1		28480	LTB1820-1344KI
U205	LTB1820-3485KI	1	IC34010 F 32GSP	28480	LTB1820-3485KI
U206	1810-0167	1	NET-RES 4 330.0 OHM 8-PIN	02483	750-83-R330
U207	1826-0371	1	IC OP AMP LOW-BIAS-H-IMPED 8 PIN TO-99	03406	LF256H
U301	1826-1231	1	D/A 8-DGT 20-PLASTIC CMOS	03285	AD7528KN
U302	1820-3079	1	IC DCDR-DEMUXR CMOS/HC BIN 3-TO-8-LINE	02237	MM74HC138N
U303	1820-3079	1	IC DCDR-DEMUXR CMOS/HC BIN 3-TO-8-LINE	02237	MM74HC138N

HP Part Number 08563-60088
Frequency Control (continued)

Reference Designator	HP Part Number	Qty	Description	Mfr Code	Mfr Part Number
U304	1820-3079	1	IC DCDR-DEMUXR CMOS/HC BIN 3-TO-8-LINE	02237	MM74HC138N
U305	1826-0605	1	ANALOG MULTIPLEXER 8 CHNL 16 -CERDIP	02883	DG508ABK
U306	1826-1012	1	ANALOG SWITCH 4 SPST 16 -CERDIP	37338	HI1-0201-4
U307	1820-1934	1	D/A 8-BIT 16-CERDIP BPLR	03285	DAC-08EQ
U308	1820-3848	1	IC FF CMOS/HCT D-TYPE POS-EDGE-TRIG COM	02910	74HCT374N
U309	1820-3848	1	IC FF CMOS/HCT D-TYPE POS-EDGE-TRIG COM	02910	74HCT374N
U310	1820-3848	1	IC FF CMOS/HCT D-TYPE POS-EDGE-TRIG COM	02910	74HCT374N
U311	1820-4586	1	IC DRVR CMOS/HCT LINE OCTL	01698	SN74HCT541N
U312	1826-1012	1	ANALOG SWITCH 4 SPST 16 -CERDIP	37338	HI1-0201-4
U313	1820-3848	1	IC FF CMOS/HCT D-TYPE POS-EDGE-TRIG COM	02910	74HCT374N
U314	1826-2239	1	D/A 12-BIT 16-PLASTIC CMOS	03285	AD7542KN
U315	1826-2239	1	D/A 12-BIT 16-PLASTIC CMOS	03285	AD7542KN
U316	1826-2239	1	D/A 12-BIT 16-PLASTIC CMOS	03285	AD7542KN
U317	1826-0811	1	ANALOG SWITCH 4 SPST 16 -CERDIP	03285	SW-01FQ
U318	1826-0811	1	ANALOG SWITCH 4 SPST 16 -CERDIP	03285	SW-01FQ
U319	1826-0547	1	IC OP AMP LOW-BIAS-H-IMPD DUAL 8 PIN	01698	TL072ACP
U320	1826-0547	1	IC OP AMP LOW-BIAS-H-IMPD DUAL 8 PIN	01698	TL072ACP
U321	1826-0367	1	IC PWR MGT-V-REG-FXD-POS 4.8/5.2V TO-39	03406	LM78M05CH
U322	1826-1049	1	IC OP AMP PRCN 8 PIN DIP-C	03285	OP-27GZ
U323	1826-1049	1	IC OP AMP PRCN 8 PIN DIP-C	03285	OP-27GZ
U324	1826-1361	1	ANALOG SWITCH 4 SPST 16 -DIP-P	02883	DG212CJ
U325	1826-0547	1	IC OP AMP LOW-BIAS-H-IMPD DUAL 8 PIN	01698	TL072ACP
U326	1826-1361	1	ANALOG SWITCH 4 SPST 16 -DIP-P	02883	DG212CJ
U327	1826-1049	1	IC OP AMP PRCN 8 PIN DIP-C	03285	OP-27GZ
U328	1826-1116	1	IC OP AMP GP QUAD 14 PIN DIP-P	02237	RC4156N
U329	1826-0547	1	IC OP AMP LOW-BIAS-H-IMPD DUAL 8 PIN	01698	TL072ACP
U330	1826-0932	1	IC OP AMP PRCN 8 PIN DIP-C	03285	OP-27FZ
U331	1826-0932	1	IC OP AMP PRCN 8 PIN DIP-C	03285	OP-27FZ
U332	1826-1049	1	IC OP AMP PRCN 8 PIN DIP-C	03285	OP-27GZ
U333	1826-0547	1	IC OP AMP LOW-BIAS-H-IMPD DUAL 8 PIN	01698	TL072ACP
U401	1820-3848	1	IC FF CMOS/HCT D-TYPE POS-EDGE-TRIG COM	02910	74HCT374N
U402	1826-1543	1	IC OP AMP HS DUAL 8 PIN DIP-P	36633	MC34072AP
U403	1826-0547	1	IC OP AMP LOW-BIAS-H-IMPD DUAL 8 PIN	01698	TL072ACP
U404	1826-0547	1	IC OP AMP LOW-BIAS-H-IMPD DUAL 8 PIN	01698	TL072ACP
U405	1826-1049	1	IC OP AMP PRCN 8 PIN DIP-C	03285	OP-27GZ

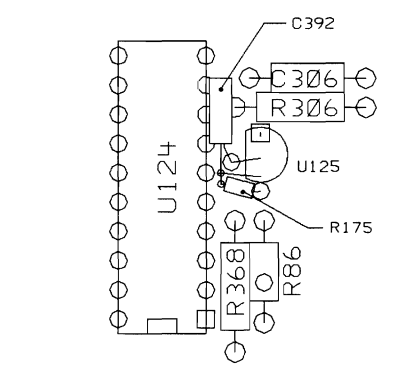
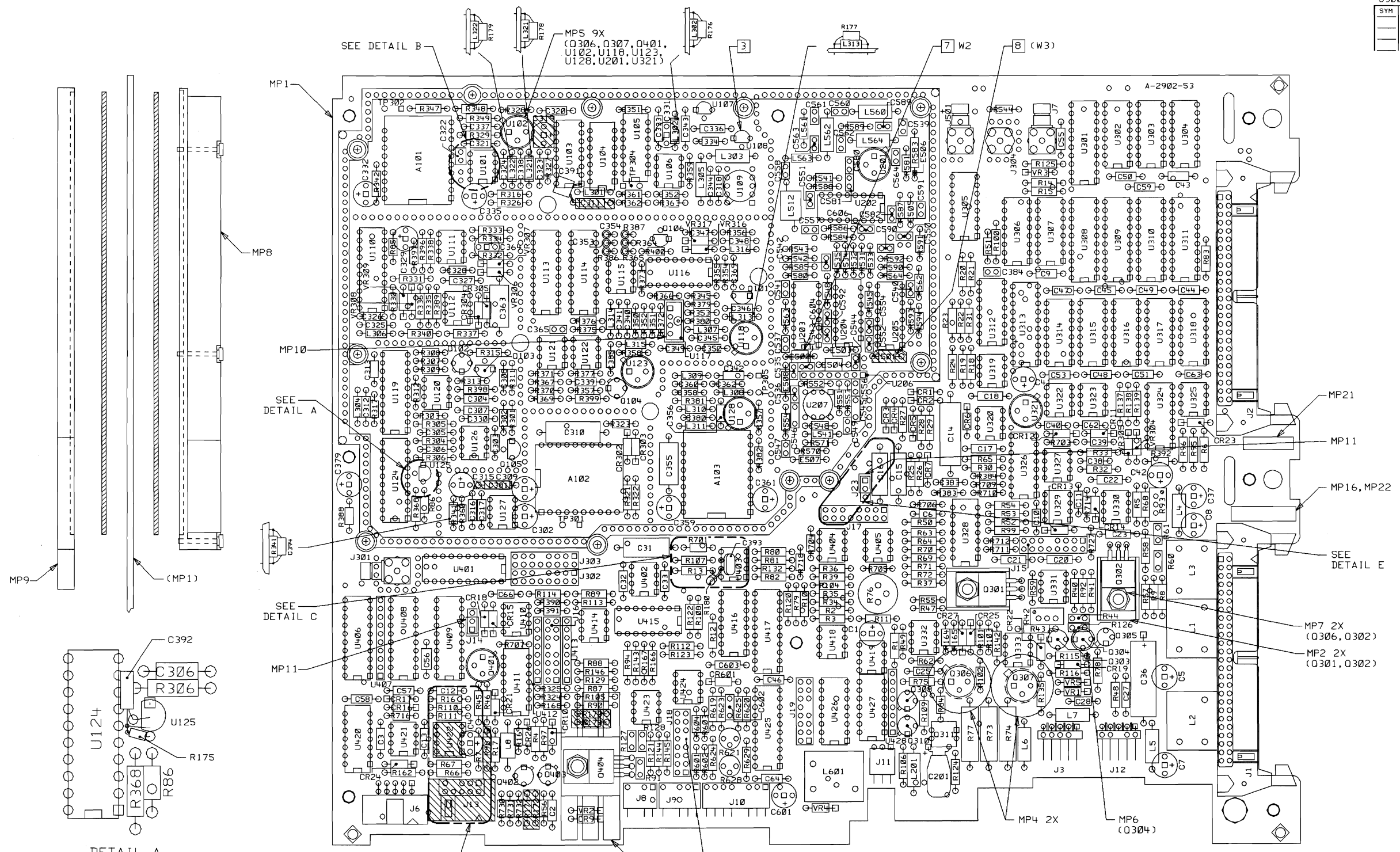
*Indicates factory-selected value

**HP Part Number 08563-60088
Frequency Control (continued)**

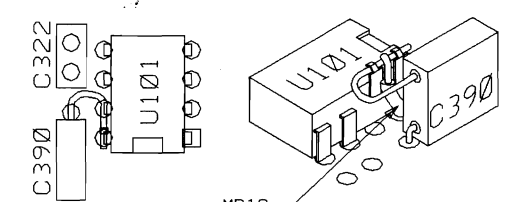
Reference Designator	HP Part Number	Qty	Description	Mfr Code	Mfr Part Number
U406	1820-3848	1	IC FF CMOS/HCT D-TYPE POS-EDGE-TRIG COM	02910	74HCT374N
U407	1810-0527	1	NET-RES 9 1.6K OHM 10-PIN	02483	750-101-R1.6K
U408	1826-1231	1	D/A 8-DGT 20-PLASTIC CMOS	03285	AD7528KN
U409	1826-1231	1	D/A 8-DGT 20-PLASTIC CMOS	03285	AD7528KN
U410	1826-0547	1	IC OP AMP LOW-BIAS-H-IMPED DUAL 8 PIN	01698	TL072ACP
U411	1826-0138	1	IC COMPARATOR GP QUAD 14 PIN DIP-P	03406	LM339N
U412	1810-1130	1	NET-RES 4 47.0K OHM 8-PIN	03744	4308R-OB9-473
U413	1810-0406	1	NET-RES 4 10.0K OHM 8-PIN	02483	750-83-R10K
U414	1826-1543	1	IC OP AMP HS DUAL 8 PIN DIP-P	36633	MC34072AP
U415	1826-0811	1	ANALOG SWITCH 4 SPST 16 -CERDIP	03285	SW-01FQ
U416	1826-0811	1	ANALOG SWITCH 4 SPST 16 -CERDIP	03285	SW-01FQ
U417	1820-3848	1	IC FF CMOS/HCT D-TYPE POS-EDGE-TRIG COM	02910	74HCT374N
U418	1826-1049	1	IC OP AMP PRCN 8 PIN DIP-C	03285	OP-27GZ
U419	1826-1514	1	IC PWR MGT-V-REF-FXD 9.95/10.05V 8 PINS	10858	LT1021BCN8-10
U420	1820-1200	1	IC INV TTL/LS HEX	01698	SN74LS05N
U421	1826-0547	1	IC OP AMP LOW-BIAS-H-IMPED DUAL 8 PIN	01698	TL072ACP
U422	1826-0547	1	IC OP AMP LOW-BIAS-H-IMPED DUAL 8 PIN	01698	TL072ACP
U423	1826-1149	1	IC OP AMP PRCN 8 PIN DIP-C	03285	OP-07EZ
U424	1826-0547	1	IC OP AMP LOW-BIAS-H-IMPED DUAL 8 PIN	01698	TL072ACP
U425	1820-3848	1	IC FF CMOS/HCT D-TYPE POS-EDGE-TRIG COM	02910	74HCT374N
U426	1810-0316	1	NET-RES 8 10.0K OHM 16-PIN	02483	761-3-R10K
U427	1826-0138	1	IC COMPARATOR GP QUAD 14 PIN DIP-P	03406	LM339N
U428	1810-0406	1	NET-RES 4 10.0K OHM 8-PIN	02483	750-83-R10K
U450	1810-0275	1	NET-RES 9 1.0K OHM 10-PIN	05524	MSP10A01-102G
VR1	1902-0579	1	DIODE-ZNR 5.1V 5% PD=1W IR=10UA	02688	DZ810725N
VR2	1902-0579	1	DIODE-ZNR 5.1V 5% PD=1W IR=10UA	02688	DZ810725N
VR3	1902-0202	1	DIODE-ZNR 15V 5% PD=1W IR=5UA	02688	1902-0202
VR4	1902-3104	1	DIODE-ZNR 5.62V 5% DO-35 PD=.4W	02688	DZ730813A
VR5	1902-0554	1	DIODE-ZNR 10V 5% PD=1W IR=10UA	02688	1N4740A
VR304	1902-3149	1	DIODE-ZNR 9.09V 5% DO-35 PD=.4W	02688	1N960C
VR305	1902-3149	1	DIODE-ZNR 9.09V 5% DO-35 PD=.4W	02688	1N960C
VR306	1902-3149	1	DIODE-ZNR 9.09V 5% DO-35 PD=.4W	02688	1N960C
VR307	1902-3149	1	DIODE-ZNR 9.09V 5% DO-35 PD=.4W	02688	1N960C
VR308	1902-3139	1	DIODE-ZNR 8.25V 5% DO-35 PD=.4W	02688	1N959B
VR309	1902-3139	1	DIODE-ZNR 8.25V 5% DO-35 PD=.4W	02688	1N959B

HP Part Number 08563-60088
Frequency Control (continued)

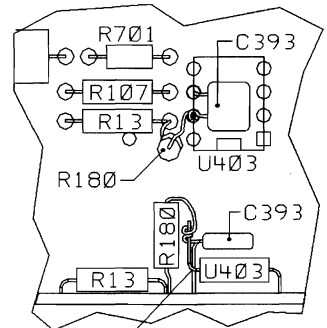
Reference Designator	HP Part Number	Qty	Description	Mfr Code	Mfr Part Number
VR316	1902-3149	1	DIODE-ZNR 9.09V 5% DO-35 PD=.4W	02688	1N960C
VR317	1902-3149	1	DIODE-ZNR 9.09V 5% DO-35 PD=.4W	02688	1N960C



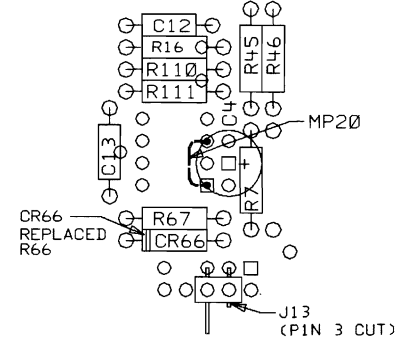
DETAIL A
LIFT INPUT LEAD (PIN 3) OF U125 PRIOR TO ADDING R175



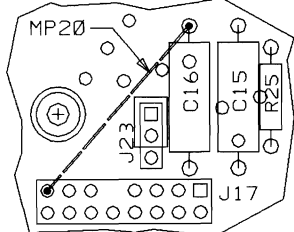
DETAIL B
LIFT PINS 7,8 FROM U101 PRIOR TO ADDING C390



DETAIL C
LIFT PIN #7 ON U403. PRIOR TO ADDING R180 AND C393



DETAIL D
INSTALL JUMPER MP20 ON BOTTOM SIDE OF BOARD.



DETAIL E
INSTALL JUMPER MP20 ON TOP SIDE OF BOARD.

- NOTES: UNLESS OTHERWISE SPECIFIED
- DIMENSIONS ARE IN INCHES.
 - REMOVE TABS AFTER WAVE SOLDER.
 - MAXIMUM COMPONENT HEIGHT .400
 - MAXIMUM LEAD TRIM LENGTH .118
 - ASSURE THAT PIN #9 HAS BEEN REMOVED FROM J15, J16, J17, J18, J19, J302, J303 PRIOR TO ASSEMBLY AND MACHINE SOLDER.
 - USE RAW BOARD PART NUMBER 08562-20055.
 - REMOVE E502, SHORT BY REPLACING WITH W2.
 - REMOVE E501 AND CONNECT (ON BACKSIDE) NEAREST HOLE OF REMOVED E501 TO U205-16 WITH W3.
 - HATCHED COMPONENTS ARE NOT LOADED FOR THIS ASSEMBLY.
 - C387, C388, C389, L323, R174 LOCATED ON THE BOTTOM SIDE OF THE BOARD. (SHEET 2)

- LIFT PINS 7,8 FROM U101 PRIOR TO ADDING C390
- INSERT MP18 THRU U101 PIN 8 HOLE IN BOARD
- SOLDER MP18 TO C390 LEAD AS SHOWN

- INSTALL JUMPER MP20 ON BOTTOM SIDE OF BOARD.

AGILENT TECHNOLOGIES
RESTRICTED
THIS DOCUMENT CONTAINS CONFIDENTIAL, PROPRIETARY INFORMATION THAT IS AGILENT TECHNOLOGIES PROPERTY. DO NOT DISCLOSE TO OR DUPLICATE FOR OTHERS EXCEPT AS AUTHORIZED BY AGILENT TECHNOLOGIES.

UNLESS OTHERWISE SPECIFIED, DIMENSIONS ARE IN INCHES.
TOLERANCES: XX.XXX ±.010
XX.XX ±.02
THIRD ANGLE PROJECTION
DO NOT SCALE THIS DRAWING

DRAWN BY	DATE
ENGINEER/CHECKER	DATE
RELEASE TO PROD.	DATE
SUPERSEDES DWG.	

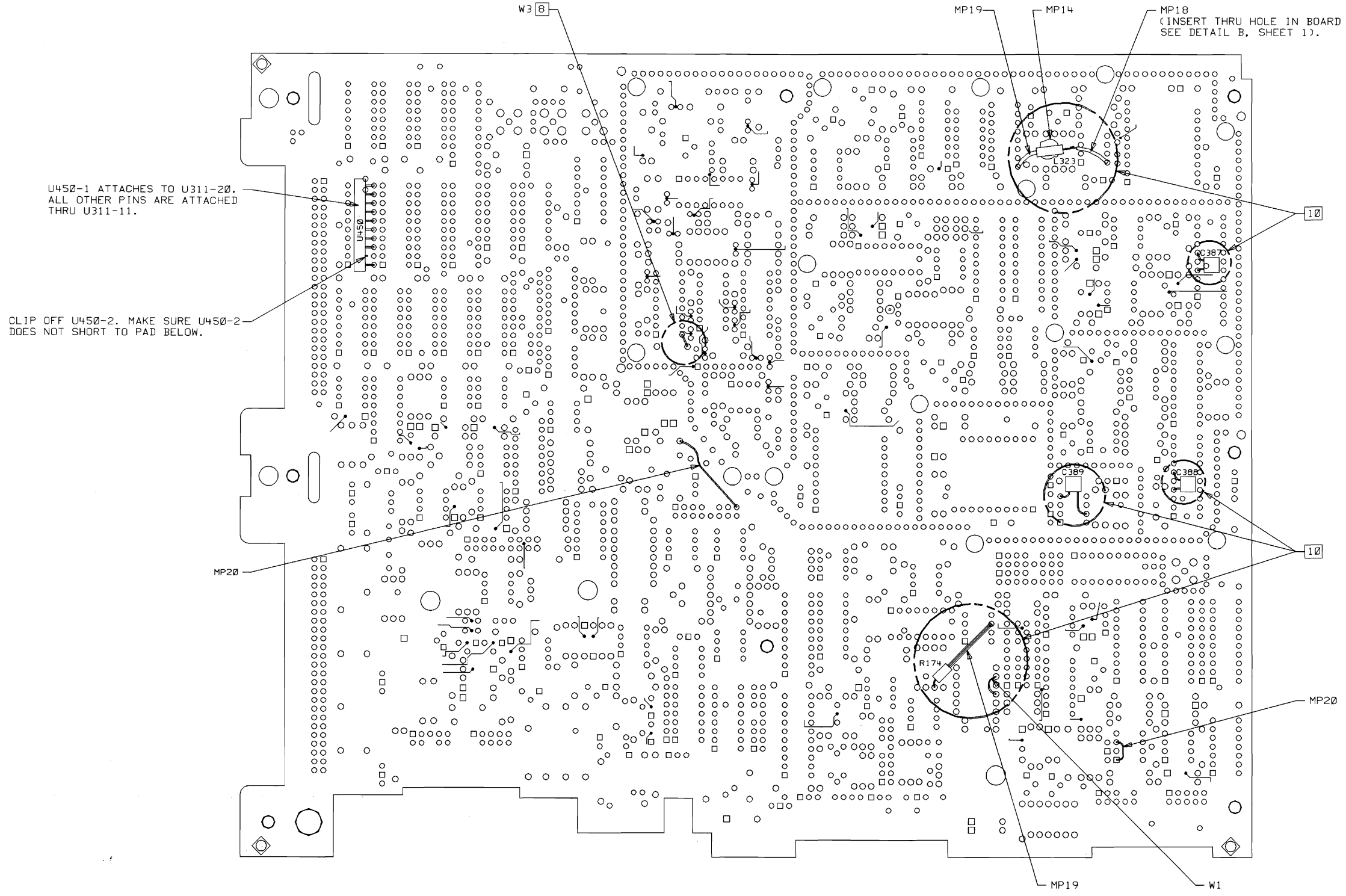
ASSEMBLY, PWB
FREQUENCY CONTROL

act088 FILENAME	Agilent
SCALE NONE	
SHEET 1 OF 2	08563-60088 PART NUMBER
	D-08563-60088-2

TOP SIDE

SEE MATERIAL LIST 08563-60088

5300		D-08563-60088-2	
SYM	REVISIONS	APPROVED	DATE



BOTTOM SIDE

AGILENT TECHNOLOGIES RESTRICTED THIS DOCUMENT CONTAINS CONFIDENTIAL, PROPRIETARY INFORMATION THAT IS AGILENT TECHNOLOGIES PROPERTY. DO NOT DISCLOSE TO OR DUPLICATE FOR OTHERS EXCEPT AS AUTHORIZED BY AGILENT TECHNOLOGIES.	UNLESS OTHERWISE SPECIFIED, DIMENSIONS ARE IN INCHES.	DRAWN BY _____ DATE _____	ASSEMBLY, PWB FREQUENCY CONTROL	a6act088 FILENAME	
	TOLERANCES: XX.XXX ±.010 XX.XX ±.02	ENGINEER/CHECKER _____ DATE _____		SCALE NONE	
	THIRD ANGLE PROJECTION	RELEASE TO PROD. _____ DATE _____		SHEET 2 OF 2	
	DO NOT SCALE THIS DRAWING	SUPERSEDES DWG.		PART NUMBER D-08563-60088-2	

J1

PIN	SIGNAL	TO/FROM	FUNCTION BLOCK
1	NC		
2	NC		
3	AGND		2 F
4	NC		
5	D2IN		1 K
6	AGND		2 F
7	NC		
8	D2IN		1 K
9	NC		
10	AGND		2 F
11	NC		
12	AGND		2 F
13	NC		
14	-15V		2 F
15	AGND		2 F
16	-15V		2 F
17	AGND		2 F
18	+15V		2 F
19	AGND		2 F
20	+25V		2 F
21	+25V		2 F
22	NC		
23	-15V		2 F
24	-15V		2 F
25	+15V		2 F
26	+15V		2 F
27	+5V		2 F
28	+5V		2 F
29	NC		
30	NC		
31	D2IN		1 K
32	AGND		2 F
33	AGND		2 F
34	AGND		2 F
35	AGND		2 F
36	AGND		2 F
37	AGND		2 F
38	NC		
39	NC		
40	NC		
41	NC		
42	NC		
43	NC		
44	NC		
45	NC		
46	NC		
47	NC		
48	NC		
49	NC		
50	NC		

J2

PIN	SIGNAL	TO/FROM	FUNCTION BLOCK
1	D2IN		1 K
2	D2IN		1 K
3	D2IN		1 K
4	D2IN		1 K
5	D2IN		1 K
6	D2IN		1 K
7	D2IN		1 K
8	D2IN		1 K
9	D2IN		1 K
10	D2IN		1 K
11	AGND		2 F
12	AGND		2 F
13	AGND		2 F
14	AGND		2 F
15	AGND		2 F
16	AGND		2 F
17	AGND		2 F
18	AGND		2 F
19	AGND		2 F
20	AGND		2 F
21	AGND		2 F
22	AGND		2 F
23	AGND		2 F
24	AGND		2 F
25	AGND		2 F
26	AGND		2 F
27	AGND		2 F
28	AGND		2 F
29	AGND		2 F
30	AGND		2 F
31	AGND		2 F
32	AGND		2 F
33	AGND		2 F
34	AGND		2 F
35	AGND		2 F
36	AGND		2 F
37	AGND		2 F
38	AGND		2 F
39	AGND		2 F
40	AGND		2 F
41	AGND		2 F
42	AGND		2 F
43	AGND		2 F
44	AGND		2 F
45	AGND		2 F
46	AGND		2 F
47	AGND		2 F
48	AGND		2 F
49	AGND		2 F
50	AGND		2 F

J3 EYO

PIN	SIGNAL	TO/FROM	FUNCTION BLOCK
1	-15V		2 N
2	NC		
3	NC		
4	NC		
5	MAINFOIL+		2 N
6	MAINFOIL-		2 N
7	NC		
8	D2IN		1 K
9	NC		
10	FN-		2 N

J6 ATTENUATOR

PIN	SIGNAL	TO/FROM	FUNCTION BLOCK
1	L 100B A		1 V
2	D2IN		1 K
3	L 100B B		1 V
4	L 100B C		1 V
5	L 100B D		1 V
6	L 100B E		1 V
7	L 100B F		1 V
8	L 100B G		1 V
9	L 100B H		1 V
10	L 100B I		1 V

J10 LODA

PIN	SIGNAL	TO/FROM	FUNCTION BLOCK
1	+5V		2 F
2	LODA_VBI		2 F
3	LODA_VBS		2 F
4	LODA_VBS		2 F
5	LODA_VBS		2 F
6	LODA_VBS		2 F
7	LODA_VBS		2 F
8	LODA_VBS		2 F
9	LODA_VBS		2 F
10	LODA_VBS		2 F
11	LODA_VBS		2 F
12	LODA_VBS		2 F
13	LODA_VBS		2 F
14	LODA_VBS		2 F
15	LODA_VBS		2 F
16	LODA_VBS		2 F
17	LODA_VBS		2 F
18	LODA_VBS		2 F
19	LODA_VBS		2 F
20	LODA_VBS		2 F
21	LODA_VBS		2 F
22	LODA_VBS		2 F
23	LODA_VBS		2 F
24	LODA_VBS		2 F
25	LODA_VBS		2 F
26	LODA_VBS		2 F
27	LODA_VBS		2 F
28	LODA_VBS		2 F
29	LODA_VBS		2 F
30	LODA_VBS		2 F
31	LODA_VBS		2 F
32	LODA_VBS		2 F
33	LODA_VBS		2 F
34	LODA_VBS		2 F
35	LODA_VBS		2 F
36	LODA_VBS		2 F
37	LODA_VBS		2 F
38	LODA_VBS		2 F
39	LODA_VBS		2 F
40	LODA_VBS		2 F
41	LODA_VBS		2 F
42	LODA_VBS		2 F
43	LODA_VBS		2 F
44	LODA_VBS		2 F
45	LODA_VBS		2 F
46	LODA_VBS		2 F
47	LODA_VBS		2 F
48	LODA_VBS		2 F
49	LODA_VBS		2 F
50	LODA_VBS		2 F

J11 DUAL MIXER (NOT USED)

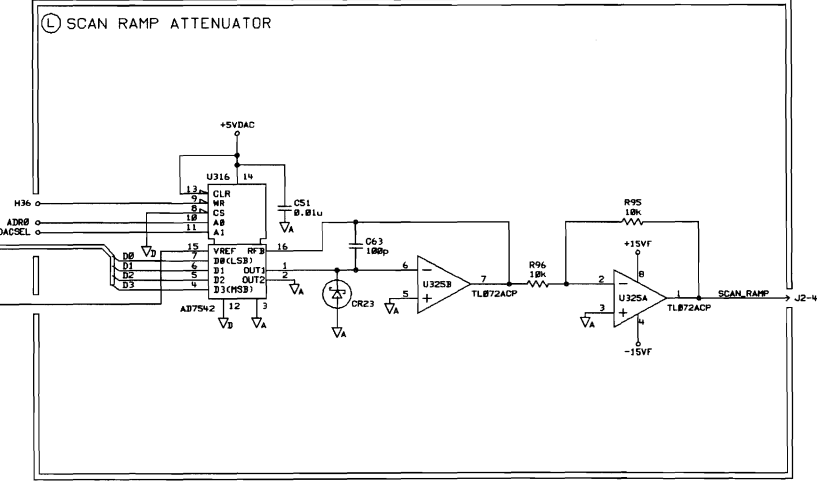
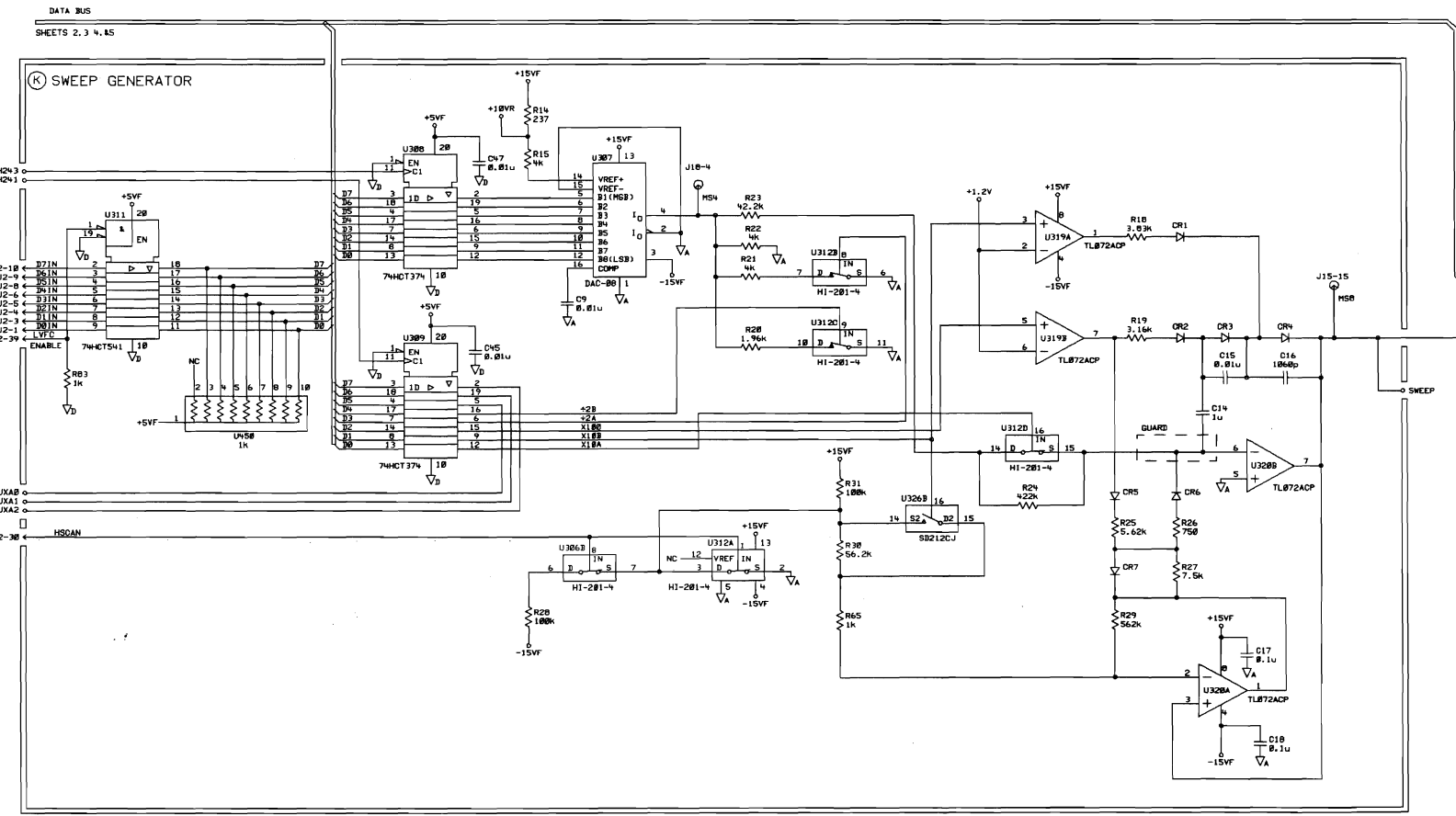
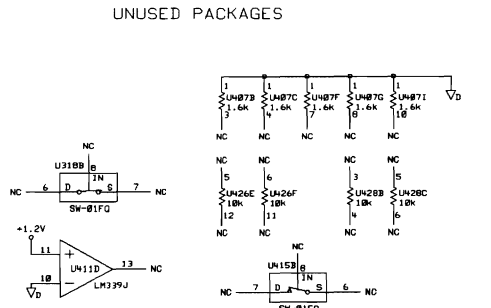
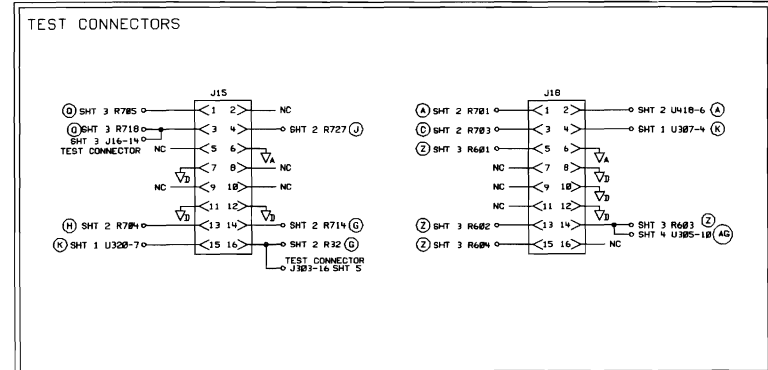
PIN	SIGNAL	TO/FROM	FUNCTION BLOCK
1	PIN SM		3 N
2	BIAS CURRENT		3 N

J12 2ND CONVERTER

PIN	SIGNAL	TO/FROM	FUNCTION BLOCK
1	MIXER BIAS		3 V
2	+15V		3 V
3	-15V		3 V
4	D2IN		3 V
5	TRK		3 V
6	KEY		3 V
7	BIAS CURRENT		3 V
8	SCAN RAMP		3 V
9	AGND		3 V
10	DRIVER BIAS		3 V

J13 OPTION DRIVE

PIN	SIGNAL	TO/FROM	FUNCTION BLOCK
1	+15V		3 V
2	AGND		3 V
3	-15V		3 V
4	D2IN		3 V
5	TRK		3 V
6	KEY		3 V
7	BIAS CURRENT		3 V
8	POWER LVL		3 V
9	SCAN VOLT		3 V
10	-15V		3 V
11	ALC EXT		3 V



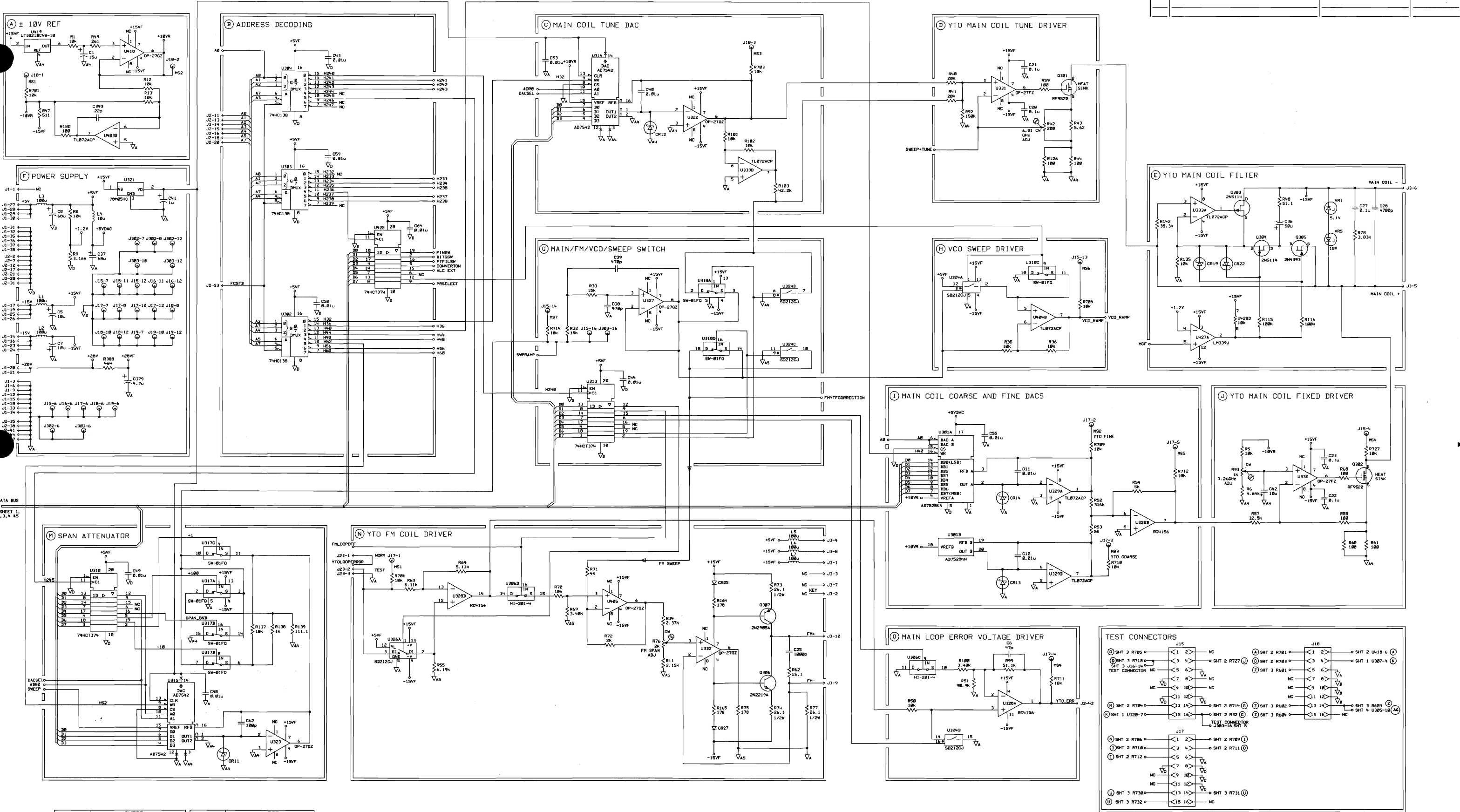
NOTES:

1. REFERENCE DESIGNATORS WITHIN THIS ASSEMBLY ARE ABBREVIATED. PREFIX ABBREVIATION WITH ASSEMBLY NUMBER FOR COMPLETE REFERENCE DESIGNATOR.
2. UNLESS OTHERWISE INDICATED: RESISTANCE IN OHMS (Ω); CAPACITANCE IN MICROFARADS (μF); INDUCTANCE IN MICROHENRIES (μH).

MNEMONIC	SHEET				
	1	2	3	4	5
ADRF					
DAISSEL	L	C, M	W		
H36	L	B			
HS01	K	B			
HS03	K	B			
MUXA8	K			AG	
MUXA1	K			AG	
MUXA2	K			AG	
SWEEP	K	H	X		

NOTE: HATCHED COMPONENTS ARE NOT LOADED FOR THIS ASSEMBLY
RAW BD = 08562-20855

AGILENT TECHNOLOGIES RESTRICTED THIS DOCUMENT CONTAINS CONFIDENTIAL, PROPRIETARY INFORMATION THAT IS AGILENT TECHNOLOGIES PROPERTY. DO NOT DISCLOSE TO OR DUPLICATE FOR OTHERS EXCEPT AS AUTHORIZED BY AGILENT TECHNOLOGIES.		DRAWN BY ENGINEER/CHECKER RELEASE TO PROD. SUPERSEDES DWG.	DATE DATE DATE	SCHEMATIC, PWA FREQUENCY CONTROL TITLE	slect088 FILENAME SCALE NONE SHEET 1 OF 5 08563-60088 PART NUMBER D-08563-60088-1
--	--	---	----------------------	---	---



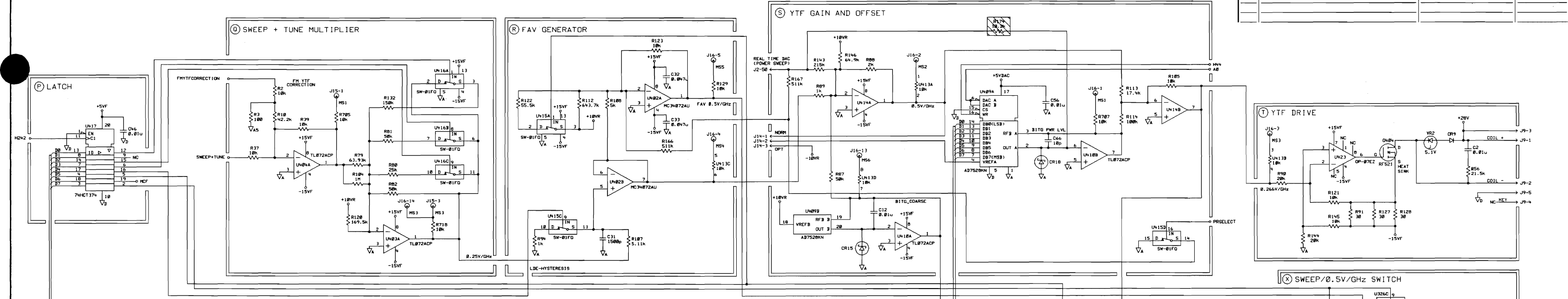
DATA BUS
SHEET 1, 2, 3, 4, 5

MNEMONIC	1	2	3	4	5	MNEMONIC	1	2	3	4	5
AB	L	B	S	W	AK, AP, AN	H237	B	B	B	B	AG
ADR8	B	C	H	U		H238	B	B	B	B	AG
ALD EXT	B	U	U			H241	K	B	B	B	AG
BITSW	B	U	U			H242	K	B	B	B	AG
CONVERSION	L	C	H	Y		H243	K	B	B	B	AG
DACS2L	L	N	G	AB		H244	K	B	B	B	AG
FILLOP/PT	L	N	G	AB		H245	K	B	B	B	AG
FHYTFCORR	L	N	G	AB		H246	K	B	B	B	AG
EXTION	L	N	G	AB		H247	K	B	B	B	AG
H36	B	B	B	B	AN	H248	K	B	B	B	AG
H44	B	B	B	B	AN	H249	K	B	B	B	AG
H48	B	B	B	B	AN	H250	K	B	B	B	AG
H56	B	B	B	B	AN	H251	K	B	B	B	AG
H68	B	B	B	B	AN	H252	K	B	B	B	AG
H233	B	B	B	B	AN	H253	K	B	B	B	AG
H234	B	B	B	B	AN	H254	K	B	B	B	AG
H235	B	B	B	B	AN	H255	K	B	B	B	AG

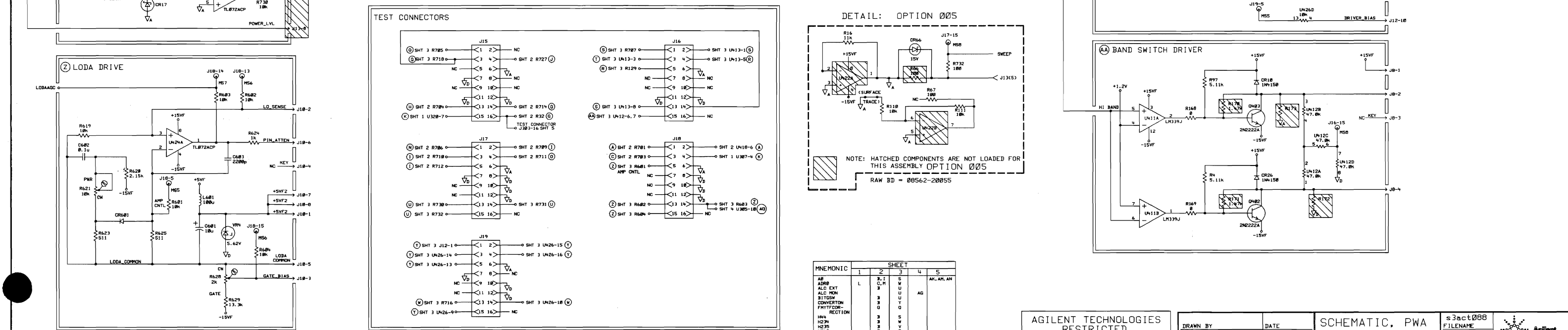
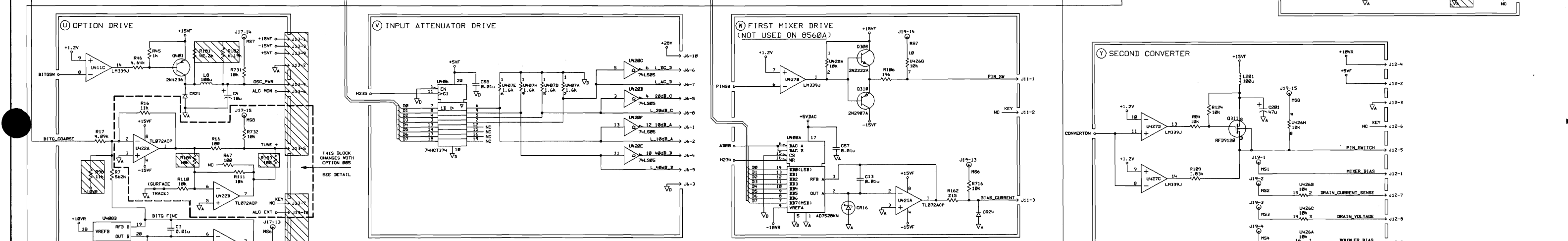
NOTE: HATCHED COMPONENTS ARE NOT LOADED FOR THIS ASSEMBLY
RAW BD = 08562-20055

AGILENT TECHNOLOGIES
RESTRICTED
THIS DOCUMENT CONTAINS CONFIDENTIAL, PROPRIETARY INFORMATION THAT IS AGILENT TECHNOLOGIES PROPERTY. DO NOT DISCLOSE TO OR DUPLICATE FOR OTHERS EXCEPT AS AUTHORIZED BY AGILENT TECHNOLOGIES.

DRAWN BY	DATE	SCHEMATIC, PWA	s2act088
ENGINEER/CHECKER	DATE	FREQUENCY CONTROL	FILENAME
RELEASE TO PROD.	DATE		SCALE NONE
SUPERSEDES DWG.		TITLE	SHEET 2 OF 5
			08563-60088
			PART NUMBER
			D-08563-60088-1



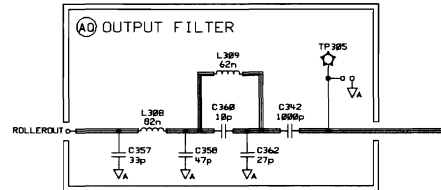
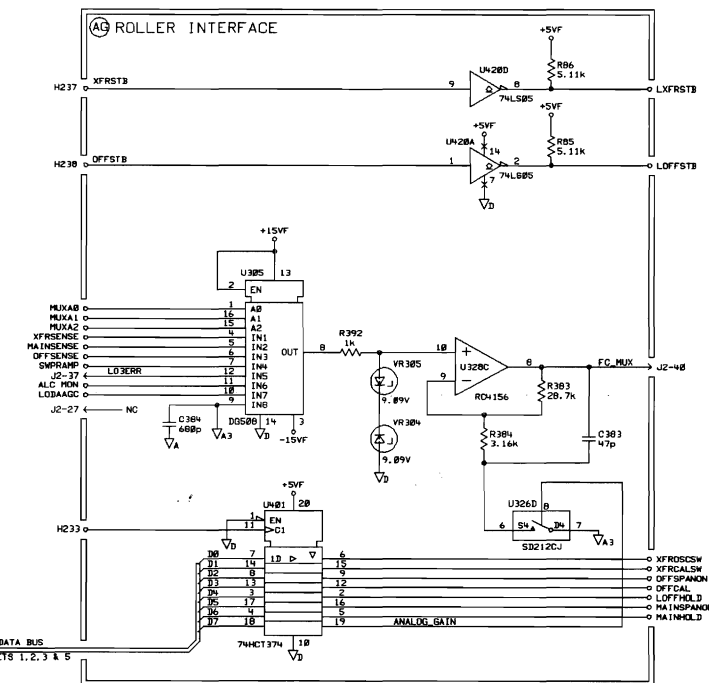
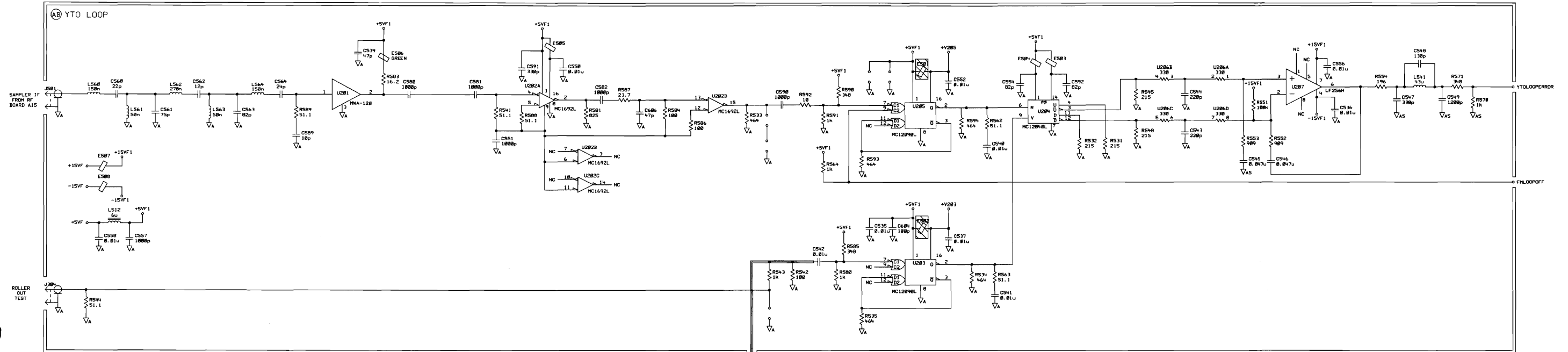
DATA BUS SHEETS 1, 2, 4, 5



MNEMONIC	1	2	3	4	5
AB					
ADR	L	B, I	S		
ALC EXT		O, R	U		
ALC MON			U		
BITSW			U		
CONVERSION			Y		
PHYTCOR-			O		
RECTION					
H23			S		
H235			V		
H236			V		
HCF			Z		
LODAAGC				AG	
PIN SW					
PRESELECT			S		
SWEEP			X		

AGILENT TECHNOLOGIES RESTRICTED
 THIS DOCUMENT CONTAINS CONFIDENTIAL, PROPRIETARY INFORMATION THAT IS AGILENT TECHNOLOGIES PROPERTY. DO NOT DISCLOSE TO OR DUPLICATE FOR OTHERS EXCEPT AS AUTHORIZED BY AGILENT TECHNOLOGIES.

DRAWN BY	DATE	SCHEMATIC, PWA FREQUENCY CONTROL	s3act088 FILENAME	Agilent
ENGINEER/CHECKER	DATE			
RELEASE TO PROD.	DATE		SCALE NONE	
SUPERSEDES DWG.			SHEET 3 OF 5	08563-60088 PART NUMBER
				D-08563-60088-1



MNEMONIC	SHEET				
	1	2	3	4	5
ALC MON				U	AG
FILDOPOFF				N	AB
H233				N	AG
H237				N	AG
H239				N	AG
LOBAAGC				Z	AG
LOFFHOLD					AB
LOFFSTB					AC
LXFSTB					AC
MAINHOLD					AM
MAINSPAN					AL
MAINSENSE					AG
MUXAB				K	AG
MUXA1				K	AG
MUXA2				K	AG
OFFCAL					AC
OFFSENSE					AC
OFFSPAN					AC
OFFSPANND					AB
ROLLEROUT					AD
SMRAMP				G	AG
XFRCALSW					AG
XFRSCSW					AG
XFRSENSE					A1
YTOLOOPERROR				N	AB

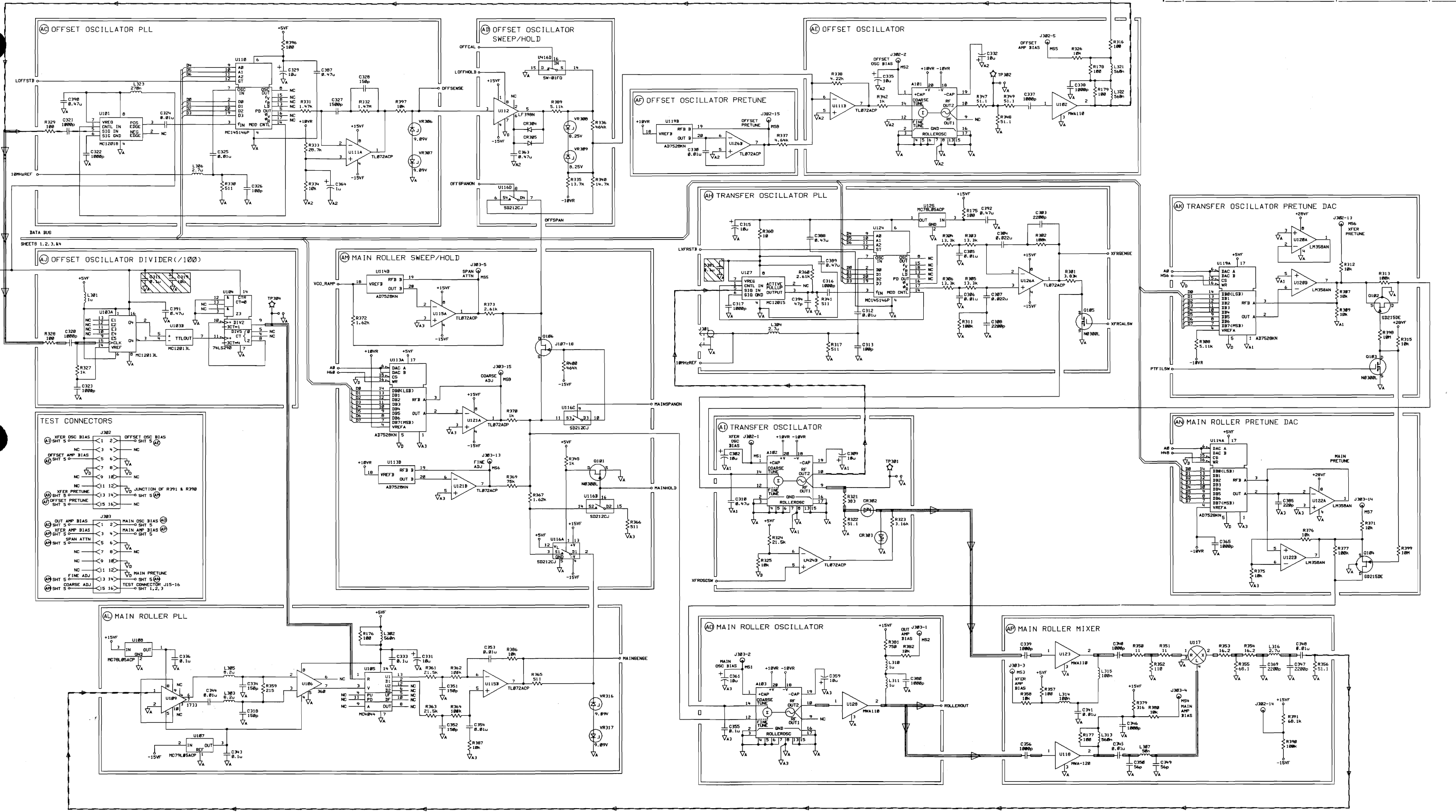
NOTE: HATCHED COMPONENTS ARE NOT LOADED FOR THIS ASSEMBLY
RAW BD = 08562-20055

AGILENT TECHNOLOGIES
RESTRICTED
THIS DOCUMENT CONTAINS CONFIDENTIAL,
PROPRIETARY INFORMATION THAT IS
AGILENT TECHNOLOGIES PROPERTY. DO NOT
DISCLOSE TO OR DUPLICATE FOR OTHERS EXCEPT
AS AUTHORIZED BY AGILENT TECHNOLOGIES.

DRAWN BY	DATE
ENGINEER/CHECKER	DATE
RELEASE TO PROD.	DATE
SUPERSEDES DWG.	

SCHEMATIC, PWA
FREQUENCY
CONTROL

s4act088	Agilent
FILENAME	
SCALE	NONE
SHEET 4 OF 5	08563-60088
PART NUMBER	
D-08563-60088-1	



SHEETS 1, 2, 3, 4

MNEMONIC	SHEET				
	1	2	3	4	5
18MHzREF					
AB	B.1	S			AC, AH, AN
HAB	B				AC, AD, AE
H56	B				AC, AD, AE
H68	B				AC, AD, AE
LOFFHOLD			AG	AD	
LOFFSTB			AG	AC	
LXFSTB			AG	AD	
MAINHOLD			AG	AD	
MAINSENSE			AG	AD	

NOTE: HATCHED COMPONENTS ARE NOT LOADED FOR THIS ASSEMBLY.
RAW BD = 08562-20055

AGILENT TECHNOLOGIES RESTRICTED
THIS DOCUMENT CONTAINS CONFIDENTIAL, PROPRIETARY INFORMATION THAT IS AGILENT TECHNOLOGIES PROPERTY. DO NOT DISCLOSE TO OR DUPLICATE FOR OTHERS EXCEPT AS AUTHORIZED BY AGILENT TECHNOLOGIES.

DRAWN BY	DATE
ENGINEER/CHECKER	DATE
RELEASE TO PROD.	DATE
SUPERSEDES DWG.	

SCHEMATIC, PWA
FREQUENCY CONTROL
TITLE

sSact088	Agilent
SCALE NONE	
SHEET 5 OF 5	08563-60088 PART NUMBER
D-08563-60088-1	

Component-Level Information Packet for 08563-60135

Frequency Control



**HP Part No. 08563-90202
Printed in USA June 2000**

Notice. The information contained in this document is subject to change without notice.

Hewlett-Packard makes no warranty of any kind with regard to this material, including, but not limited to, the implied warranties of merchantability and fitness for a particular purpose. Hewlett-Packard shall not be liable for errors contained herein or for incidental or consequential damages in connection with the furnishing, performance, or use of this material.

©Copyright Hewlett-Packard Company 1990, 1991, 1992, 1993, 1994, 1995, 1996
All Rights Reserved. Reproduction, adaptation, or translation without prior written permission is prohibited, except as allowed under the copyright laws.

HP Part Number 08563-60135
Frequency Control

Reference Designator	HP Part Number	Qty	Description	Mfr Code	Mfr Part Number
C1	0180-3922	1	CAP-FXD 15uF +-20% 20 V TA	00039	NRD156M20R12
C2	0160-6736	1	CAP-FXD 0.01uF +-10% 50 V CER X7R	02010	12065C103KAT A
C5	0180-4287	1	CAP-FXD 10uF +-20% 35 V TA	02010	TAJD106M035
C6	0160-5957	1	CAP-FXD 47pF +-5% 50 V CER C0G	02010	08055A470JAT A
C7	0180-4287	1	CAP-FXD 10uF +-20% 35 V TA	02010	TAJD106M035
C8	0180-4228	1	CAP-FXD 47uF +-20% 10 V TA	02010	TAJD476M010
C9	0160-5967	1	CAP-FXD 100pF +-5% 50 V CER C0G	06352	C2012COG1H101J
C10	0160-6736	1	CAP-FXD 0.01uF +-10% 50 V CER X7R	02010	12065C103KAT A
C11	0160-6736	1	CAP-FXD 0.01uF +-10% 50 V CER X7R	02010	12065C103KAT A
C12	0160-6736	1	CAP-FXD 0.01uF +-10% 50 V CER X7R	02010	12065C103KAT A
C14	0160-3402	1	CAP-FXD 1uF +-5% 50 V POLYC-MET	05176	HEW-249-1UF+/-5%50V
C16	0160-6100	1	CAP-FXD 1000pF +-5% 50 V CER C0G	02010	12065A102JAT A
C17	0160-6222	1	CAP-FXD 0.1uF +-10% 50 V CER X7R	02010	12105C104KAT A
C18	0160-6222	1	CAP-FXD 0.1uF +-10% 50 V CER X7R	02010	12105C104KAT A
C20	0160-6222	1	CAP-FXD 0.1uF +-10% 50 V CER X7R	02010	12105C104KAT A
C21	0160-6222	1	CAP-FXD 0.1uF +-10% 50 V CER X7R	02010	12105C104KAT A
C22	0160-6222	1	CAP-FXD 0.1uF +-10% 50 V CER X7R	02010	12105C104KAT A
C23	0160-6222	1	CAP-FXD 0.1uF +-10% 50 V CER X7R	02010	12105C104KAT A
C25	0160-6100	1	CAP-FXD 1000pF +-5% 50 V CER C0G	02010	12065A102JAT A
C27	0160-6222	1	CAP-FXD 0.1uF +-10% 50 V CER X7R	02010	12105C104KAT A
C28	0160-6735	1	CAP-FXD 4700pF +-10% 50 V CER X7R	02010	12065C472KAT A
C30	0180-4287	1	CAP-FXD 10uF +-20% 35 V TA	02010	TAJD106M035
C31	0160-6102	1	CAP-FXD 1500pF +-5% 50 V CER C0G	02010	12065A152JATRA
C32	0160-6734	1	CAP-FXD 0.047uF +-10% 50 V CER X7R	02010	12065C473KAT A
C33	0160-6734	1	CAP-FXD 0.047uF +-10% 50 V CER X7R	02010	12065C473KAT A
C34	0160-6103	1	CAP-FXD 1800pF +-5% 50 V CER C0G	02010	12065A182JATRA
C35	0180-3749	1	CAP-FXD 0.22uF +-20% 35 V TA	00039	NRA224M35R8
C37	0180-4228	1	CAP-FXD 47uF +-20% 10 V TA	02010	TAJD476M010
C38	0160-6096	1	CAP-FXD 470pF +-5% 50 V CER C0G	02010	12065A471JAT A
C39	0160-6096	1	CAP-FXD 470pF +-5% 50 V CER C0G	02010	12065A471JAT A
C40	0160-6736	1	CAP-FXD 0.01uF +-10% 50 V CER X7R	02010	12065C103KAT A
C41	0180-3751	1	CAP-FXD 1uF +-20% 35 V TA	02010	TAJB105M035
C42	0180-3831	1	CAP-FXD 10uF +-10% 35 V TA	12340	T398G106K035AS
C43	0160-6736	1	CAP-FXD 0.01uF +-10% 50 V CER X7R	02010	12065C103KAT A
C44	0160-6736	1	CAP-FXD 0.01uF +-10% 50 V CER X7R	02010	12065C103KAT A

*Indicates factory-selected value

CLIP 08563-90202 1

**HP Part Number 08563-60135
Frequency Control (continued)**

Reference Designator	HP Part Number	Qty	Description	Mfr Code	Mfr Part Number
C45	0160-6736	1	CAP-FXD 0.01uF +-10% 50 V CER X7R	02010	12065C103KAT A
C46	0160-6736	1	CAP-FXD 0.01uF +-10% 50 V CER X7R	02010	12065C103KAT A
C47	0160-6736	1	CAP-FXD 0.01uF +-10% 50 V CER X7R	02010	12065C103KAT A
C48	0160-6736	1	CAP-FXD 0.01uF +-10% 50 V CER X7R	02010	12065C103KAT A
C49	0160-6736	1	CAP-FXD 0.01uF +-10% 50 V CER X7R	02010	12065C103KAT A
C50	0160-6736	1	CAP-FXD 0.01uF +-10% 50 V CER X7R	02010	12065C103KAT A
C51	0160-6736	1	CAP-FXD 0.01uF +-10% 50 V CER X7R	02010	12065C103KAT A
C52	0160-6222	1	CAP-FXD 0.1uF +-10% 50 V CER X7R	02010	12105C104KAT A
C53	0160-6736	1	CAP-FXD 0.01uF +-10% 50 V CER X7R	02010	12065C103KAT A
C54	0160-6100	1	CAP-FXD 1000pF +-5% 50 V CER C0G	02010	12065A102JAT A
C55	0160-6736	1	CAP-FXD 0.01uF +-10% 50 V CER X7R	02010	12065C103KAT A
C56	0160-6736	1	CAP-FXD 0.01uF +-10% 50 V CER X7R	02010	12065C103KAT A
C57	0160-6736	1	CAP-FXD 0.01uF +-10% 50 V CER X7R	02010	12065C103KAT A
C58	0160-6736	1	CAP-FXD 0.01uF +-10% 50 V CER X7R	02010	12065C103KAT A
C59	0160-6736	1	CAP-FXD 0.01uF +-10% 50 V CER X7R	02010	12065C103KAT A
C62	0160-5967	1	CAP-FXD 100pF +-5% 50 V CER C0G	06352	C2012COG1H101J
C63	0160-5967	1	CAP-FXD 100pF +-5% 50 V CER C0G	06352	C2012COG1H101J
C64	0160-6736	1	CAP-FXD 0.01uF +-10% 50 V CER X7R	02010	12065C103KAT A
C66	0160-5975	1	CAP-FXD 10pF +-5% 50 V CER C0G	02010	08055A100JAT A
C70	0160-6736	1	CAP-FXD 0.01uF +-10% 50 V CER X7R	02010	12065C103KAT A
C71	0160-6736	1	CAP-FXD 0.01uF +-10% 50 V CER X7R	02010	12065C103KAT A
C80	0160-7333	1	CAP-FXD 0.068uF +-10% 50 V CER X7R	06352	C3216X7R1H683KT
C81	0180-4116	1	CAP-FXD 22uF +-20% 20 V TA	02010	TAJD226M020
C82	0180-4116	1	CAP-FXD 22uF +-20% 20 V TA	02010	TAJD226M020
C101	0160-6736	1	CAP-FXD 0.01uF +-10% 50 V CER X7R	02010	12065C103KAT A
C102	0160-6736	1	CAP-FXD 0.01uF +-10% 50 V CER X7R	02010	12065C103KAT A
C103	0160-6736	1	CAP-FXD 0.01uF +-10% 50 V CER X7R	02010	12065C103KAT A
C104	0160-5952	1	CAP-FXD 330pF +-5% 50 V CER C0G	02010	08055A331JAT A
C105	0160-6736	1	CAP-FXD 0.01uF +-10% 50 V CER X7R	02010	12065C103KAT A
C106	0160-6736	1	CAP-FXD 0.01uF +-10% 50 V CER X7R	02010	12065C103KAT A
C111	0180-4287	1	CAP-FXD 10uF +-20% 35 V TA	02010	TAJD106M035
C112	0160-6734	1	CAP-FXD 0.047uF +-10% 50 V CER X7R	02010	12065C473KAT A
C114	0160-6728	1	CAP-FXD 0.022uF +-10% 50 V CER X7R	02010	12065C223KAT A
C115	0160-6728	1	CAP-FXD 0.022uF +-10% 50 V CER X7R	02010	12065C223KAT A
C116	0160-6736	1	CAP-FXD 0.01uF +-10% 50 V CER X7R	02010	12065C103KAT A

**HP Part Number 08563-60135
Frequency Control (continued)**

Reference Designator	HP Part Number	Qty	Description	Mfr Code	Mfr Part Number
C117	0160-6736	1	CAP-FXD 0.01uF +-10% 50 V CER X7R	02010	12065C103KAT A
C118	0160-6734	1	CAP-FXD 0.047uF +-10% 50 V CER X7R	02010	12065C473KAT A
C119	0160-6734	1	CAP-FXD 0.047uF +-10% 50 V CER X7R	02010	12065C473KAT A
C120	0160-6222	1	CAP-FXD 0.1uF +-10% 50 V CER X7R	02010	12105C104KAT A
C121	0160-6734	1	CAP-FXD 0.047uF +-10% 50 V CER X7R	02010	12065C473KAT A
C131	0160-6222	1	CAP-FXD 0.1uF +-10% 50 V CER X7R	02010	12105C104KAT A
C132	0160-6734	1	CAP-FXD 0.047uF +-10% 50 V CER X7R	02010	12065C473KAT A
C133	0160-6734	1	CAP-FXD 0.047uF +-10% 50 V CER X7R	02010	12065C473KAT A
C134	0160-6727	1	CAP-FXD 0.033uF +-10% 50 V CER X7R	02010	12065C333KATRA
C135	0160-6222	1	CAP-FXD 0.1uF +-10% 50 V CER X7R	02010	12105C104KAT A
C136	0160-5967	1	CAP-FXD 100pF +-5% 50 V CER C0G	06352	C2012COG1H101J
C137	0160-6222	1	CAP-FXD 0.1uF +-10% 50 V CER X7R	02010	12105C104KAT A
C141	0180-3751	1	CAP-FXD 1uF +-20% 35 V TA	02010	TAJB105M035
C142	0160-5951	1	CAP-FXD 390pF +-5% 50 V CER C0G	02010	08055A391JAT A
C143	0160-5951	1	CAP-FXD 390pF +-5% 50 V CER C0G	02010	08055A391JAT A
C144	0160-6102	1	CAP-FXD 1500pF +-5% 50 V CER C0G	02010	12065A152JATRA
C145	0160-6102	1	CAP-FXD 1500pF +-5% 50 V CER C0G	02010	12065A152JATRA
C146	0160-5967	1	CAP-FXD 100pF +-5% 50 V CER C0G	06352	C2012COG1H101J
C147	0180-4287	1	CAP-FXD 10uF +-20% 35 V TA	02010	TAJD106M035
C148	0160-5951	1	CAP-FXD 390pF +-5% 50 V CER C0G	02010	08055A391JAT A
C149	0160-5967	1	CAP-FXD 100pF +-5% 50 V CER C0G	06352	C2012COG1H101J
C150	0180-4287	1	CAP-FXD 10uF +-20% 35 V TA	02010	TAJD106M035
C151	0160-5967	1	CAP-FXD 100pF +-5% 50 V CER C0G	06352	C2012COG1H101J
C152	0160-5967	1	CAP-FXD 100pF +-5% 50 V CER C0G	06352	C2012COG1H101J
C153	0180-4287	1	CAP-FXD 10uF +-20% 35 V TA	02010	TAJD106M035
C160	0160-5967	1	CAP-FXD 100pF +-5% 50 V CER C0G	06352	C2012COG1H101J
C161	0160-5951	1	CAP-FXD 390pF +-5% 50 V CER C0G	02010	08055A391JAT A
C170	0160-5967	1	CAP-FXD 100pF +-5% 50 V CER C0G	06352	C2012COG1H101J
C171	0180-3755	1	CAP-FXD 33uF +-20% 10 V TA	02010	TAJD336M010
C172	0160-5967	1	CAP-FXD 100pF +-5% 50 V CER C0G	06352	C2012COG1H101J
C173	0160-5952	1	CAP-FXD 330pF +-5% 50 V CER C0G	02010	08055A331JAT A
C174	0160-5952	1	CAP-FXD 330pF +-5% 50 V CER C0G	02010	08055A331JAT A
C175	0160-5952	1	CAP-FXD 330pF +-5% 50 V CER C0G	02010	08055A331JAT A
C176	0160-5952	1	CAP-FXD 330pF +-5% 50 V CER C0G	02010	08055A331JAT A
C177	0160-5952	1	CAP-FXD 330pF +-5% 50 V CER C0G	02010	08055A331JAT A

*Indicates factory-selected value

**HP Part Number 08563-60135
Frequency Control (continued)**

Reference Designator	HP Part Number	Qty	Description	Mfr Code	Mfr Part Number
C178	0160-6222	1	CAP-FXD 0.1uF +-10% 50 V CER X7R	02010	12105C104KAT A
C179	0160-5952	1	CAP-FXD 330pF +-5% 50 V CER C0G	02010	08055A331JAT A
C180	0160-6104	1	CAP-FXD 2200pF +-5% 50 V CER C0G	02010	12065A222JATRA
C181	0160-5952	1	CAP-FXD 330pF +-5% 50 V CER C0G	02010	08055A331JAT A
C182	0160-5952	1	CAP-FXD 330pF +-5% 50 V CER C0G	02010	08055A331JAT A
C183	0160-6222	1	CAP-FXD 0.1uF +-10% 50 V CER X7R	02010	12105C104KAT A
C193	0180-3755	1	CAP-FXD 33uF +-20% 10 V TA	02010	TAJD336M010
C194	0160-6222	1	CAP-FXD 0.1uF +-10% 50 V CER X7R	02010	12105C104KAT A
C195	0160-6222	1	CAP-FXD 0.1uF +-10% 50 V CER X7R	02010	12105C104KAT A
C197	0160-5952	1	CAP-FXD 330pF +-5% 50 V CER C0G	02010	08055A331JAT A
C198	0160-5952	1	CAP-FXD 330pF +-5% 50 V CER C0G	02010	08055A331JAT A
C202	0160-5959	1	CAP-FXD 33pF +-5% 50 V CER C0G	02010	08055A330JAT A
C203	0160-5959	1	CAP-FXD 33pF +-5% 50 V CER C0G	02010	08055A330JAT A
C204	0160-5959	1	CAP-FXD 33pF +-5% 50 V CER C0G	02010	08055A330JAT A
C206	0160-6222	1	CAP-FXD 0.1uF +-10% 50 V CER X7R	02010	12105C104KAT A
C207	0160-6104	1	CAP-FXD 2200pF +-5% 50 V CER C0G	02010	12065A222JATRA
C208	0160-5967	1	CAP-FXD 100pF +-5% 50 V CER C0G	06352	C2012COG1H101J
C210	0180-3755	1	CAP-FXD 33uF +-20% 10 V TA	02010	TAJD336M010
C211	0160-6222	1	CAP-FXD 0.1uF +-10% 50 V CER X7R	02010	12105C104KAT A
C212	0160-6222	1	CAP-FXD 0.1uF +-10% 50 V CER X7R	02010	12105C104KAT A
C213	0160-6222	1	CAP-FXD 0.1uF +-10% 50 V CER X7R	02010	12105C104KAT A
C214	0160-6222	1	CAP-FXD 0.1uF +-10% 50 V CER X7R	02010	12105C104KAT A
C221	0180-3755	1	CAP-FXD 33uF +-20% 10 V TA	02010	TAJD336M010
C222	0180-4287	1	CAP-FXD 10uF +-20% 35 V TA	02010	TAJD106M035
C223	0180-4287	1	CAP-FXD 10uF +-20% 35 V TA	02010	TAJD106M035
C231	0160-5954	1	CAP-FXD 220pF +-5% 50 V CER C0G	02010	08055A221JAT A
C232	0160-5954	1	CAP-FXD 220pF +-5% 50 V CER C0G	02010	08055A221JAT A
C233	0160-6222	1	CAP-FXD 0.1uF +-10% 50 V CER X7R	02010	12105C104KAT A
C234	0160-6734	1	CAP-FXD 0.047uF +-10% 50 V CER X7R	02010	12065C473KAT A
C237	0160-5967	1	CAP-FXD 100pF +-5% 50 V CER C0G	06352	C2012COG1H101J
C239	0160-5967	1	CAP-FXD 100pF +-5% 50 V CER C0G	06352	C2012COG1H101J
C240	0160-5967	1	CAP-FXD 100pF +-5% 50 V CER C0G	06352	C2012COG1H101J
C241	0160-5967	1	CAP-FXD 100pF +-5% 50 V CER C0G	06352	C2012COG1H101J
C244	0160-6736	1	CAP-FXD 0.01uF +-10% 50 V CER X7R	02010	12065C103KAT A
C245	0160-6736	1	CAP-FXD 0.01uF +-10% 50 V CER X7R	02010	12065C103KAT A

**HP Part Number 08563-60135
Frequency Control (continued)**

Reference Designator	HP Part Number	Qty	Description	Mfr Code	Mfr Part Number
C246	0160-5967	1	CAP-FXD 100pF +5% 50 V CER C0G	06352	C2012COG1H101J
C250	0160-5959	1	CAP-FXD 33pF +5% 50 V CER C0G	02010	08055A330JAT A
C251	0160-5959	1	CAP-FXD 33pF +5% 50 V CER C0G	02010	08055A330JAT A
C252	0160-5959	1	CAP-FXD 33pF +5% 50 V CER C0G	02010	08055A330JAT A
C253	0160-5959	1	CAP-FXD 33pF +5% 50 V CER C0G	02010	08055A330JAT A
C254	0160-5959	1	CAP-FXD 33pF +5% 50 V CER C0G	02010	08055A330JAT A
C255	0160-5959	1	CAP-FXD 33pF +5% 50 V CER C0G	02010	08055A330JAT A
C256	0160-5959	1	CAP-FXD 33pF +5% 50 V CER C0G	02010	08055A330JAT A
C257	0160-5959	1	CAP-FXD 33pF +5% 50 V CER C0G	02010	08055A330JAT A
C258	0160-5959	1	CAP-FXD 33pF +5% 50 V CER C0G	02010	08055A330JAT A
C259	0160-5959	1	CAP-FXD 33pF +5% 50 V CER C0G	02010	08055A330JAT A
C260	0160-5967	1	CAP-FXD 100pF +5% 50 V CER C0G	06352	C2012COG1H101J
C261	0160-5967	1	CAP-FXD 100pF +5% 50 V CER C0G	06352	C2012COG1H101J
C262	0160-5967	1	CAP-FXD 100pF +5% 50 V CER C0G	06352	C2012COG1H101J
C263	0160-5967	1	CAP-FXD 100pF +5% 50 V CER C0G	06352	C2012COG1H101J
C264	0160-5967	1	CAP-FXD 100pF +5% 50 V CER C0G	06352	C2012COG1H101J
C265	0160-5967	1	CAP-FXD 100pF +5% 50 V CER C0G	06352	C2012COG1H101J
C270	0160-5967	1	CAP-FXD 100pF +5% 50 V CER C0G	06352	C2012COG1H101J
C271	0160-6734	1	CAP-FXD 0.047uF +-10% 50 V CER X7R	02010	12065C473KAT A
C301	0180-4287	1	CAP-FXD 10uF +-20% 35 V TA	02010	TAJD106M035
C393	0160-5961	1	CAP-FXD 22pF +5% 50 V CER C0G	02010	08055A220JAT A
C401	0160-6104	1	CAP-FXD 2200pF +-5% 50 V CER C0G	02010	12065A222JATRA
C530	0160-6736	1	CAP-FXD 0.01uF +-10% 50 V CER X7R	02010	12065C103KAT A
C531	0160-6736	1	CAP-FXD 0.01uF +-10% 50 V CER X7R	02010	12065C103KAT A
C532	0160-6736	1	CAP-FXD 0.01uF +-10% 50 V CER X7R	02010	12065C103KAT A
C533	0160-6736	1	CAP-FXD 0.01uF +-10% 50 V CER X7R	02010	12065C103KAT A
C534	0160-6736	1	CAP-FXD 0.01uF +-10% 50 V CER X7R	02010	12065C103KAT A
C535	0160-6736	1	CAP-FXD 0.01uF +-10% 50 V CER X7R	02010	12065C103KAT A
C536	0160-6736	1	CAP-FXD 0.01uF +-10% 50 V CER X7R	02010	12065C103KAT A
C537	0160-6736	1	CAP-FXD 0.01uF +-10% 50 V CER X7R	02010	12065C103KAT A
C541	0160-6736	1	CAP-FXD 0.01uF +-10% 50 V CER X7R	02010	12065C103KAT A
C542	0160-6736	1	CAP-FXD 0.01uF +-10% 50 V CER X7R	02010	12065C103KAT A
C543	0160-6099	1	CAP-FXD 820pF +5% 50 V CER C0G	02010	12065A821JAT A
C544	0160-6099	1	CAP-FXD 820pF +5% 50 V CER C0G	02010	12065A821JAT A
C545	0160-6734	1	CAP-FXD 0.047uF +-10% 50 V CER X7R	02010	12065C473KAT A

*Indicates factory-selected value

**HP Part Number 08563-60135
Frequency Control (continued)**

Reference Designator	HP Part Number	Qty	Description	Mfr Code	Mfr Part Number
C546	0160-6734	1	CAP-FXD 0.047uF +-10% 50 V CER X7R	02010	12065C473KAT A
C547	0160-5952	1	CAP-FXD 330pF +-5% 50 V CER C0G	02010	08055A331JAT A
C548	0160-7384	1	CAP-FXD 110pF +-5% 50 V CER C0G	06352	C2012C0G1H111JT
C549	0160-6102	1	CAP-FXD 1500pF +-5% 50 V CER C0G	02010	12065A152JATRA
C550	0160-6736	1	CAP-FXD 0.01uF +-10% 50 V CER X7R	02010	12065C103KAT A
C551	0160-6736	1	CAP-FXD 0.01uF +-10% 50 V CER X7R	02010	12065C103KAT A
C552	0180-4116	1	CAP-FXD 22uF +-20% 20 V TA	02010	TAJD226M020
C554	0160-6736	1	CAP-FXD 0.01uF +-10% 50 V CER X7R	02010	12065C103KAT A
C556	0160-6736	1	CAP-FXD 0.01uF +-10% 50 V CER X7R	02010	12065C103KAT A
C558	0180-3755	1	CAP-FXD 33uF +-20% 10 V TA	02010	TAJD336M010
C560	0160-5959	1	CAP-FXD 33pF +-5% 50 V CER C0G	02010	08055A330JAT A
C561	0160-5956	1	CAP-FXD 56pF +-5% 50 V CER C0G	02010	08055A560JAT A
C562	0160-7381	1	CAP-FXD 36pF +-5% 50 V CER C0G	06352	C2012C0G1H360JT
C563	0160-5956	1	CAP-FXD 56pF +-5% 50 V CER C0G	02010	08055A560JAT A
C564	0160-7381	1	CAP-FXD 36pF +-5% 50 V CER C0G	06352	C2012C0G1H360JT
C601	0180-4287	1	CAP-FXD 10uF +-20% 35 V TA	02010	TAJD106M035
C602	0160-6736	1	CAP-FXD 0.01uF +-10% 50 V CER X7R	02010	12065C103KAT A
C603	0160-6104	1	CAP-FXD 2200pF +-5% 50 V CER C0G	02010	12065A222JATRA
C604	0160-6736	1	CAP-FXD 0.01uF +-10% 50 V CER X7R	02010	12065C103KAT A
C605	0160-6736	1	CAP-FXD 0.01uF +-10% 50 V CER X7R	02010	12065C103KAT A
CR5	1901-1227	1	DIODE-SWITCHING 75V 200MA 6NS TO-236	02910	BAS16
CR9	1901-1227	1	DIODE-SWITCHING 75V 200MA 6NS TO-236	02910	BAS16
CR11	1906-0335	1	DIODE-DUAL 50V 200MA TO-236AA	02910	BAV74
CR12	1901-1227	1	DIODE-SWITCHING 75V 200MA 6NS TO-236	02910	BAS16
CR13	1906-0290	1	DIODE-DUAL 70V 200MA TO-236AB (SOT-23)	00746	BAW56
CR19	1900-0074	1	DIODE-SCHOTTKY SM SIG	01542	1900-0074
CR22	1900-0074	1	DIODE-SCHOTTKY SM SIG	01542	1900-0074
CR25	1901-1227	1	DIODE-SWITCHING 75V 200MA 6NS TO-236	02910	BAS16
CR27	1901-1227	1	DIODE-SWITCHING 75V 200MA 6NS TO-236	02910	BAS16
CR131	1901-1227	1	DIODE-SWITCHING 75V 200MA 6NS TO-236	02910	BAS16
CR132	1901-1227	1	DIODE-SWITCHING 75V 200MA 6NS TO-236	02910	BAS16
CR143	5087-8050	1	D VVC13.5PF	28480	5087-8050
CR144	5087-8050	1	D VVC13.5PF	28480	5087-8050
CR145	5087-8050	1	D VVC13.5PF	28480	5087-8050
CR146	5087-8050	1	D VVC13.5PF	28480	5087-8050

HP Part Number 08563-60135
Frequency Control (continued)

Reference Designator	HP Part Number	Qty	Description	Mfr Code	Mfr Part Number
CR147	5087-8050	1	D VVC13.5PF	28480	5087-8050
CR148	5087-8050	1	D VVC13.5PF	28480	5087-8050
CR149	5087-8050	1	D VVC13.5PF	28480	5087-8050
CR150	5087-8050	1	D VVC13.5PF	28480	5087-8050
CR191	1901-1227	1	DIODE-SWITCHING 75V 200MA 6NS TO-236	02910	BAS16
CR192	1901-1227	1	DIODE-SWITCHING 75V 200MA 6NS TO-236	02910	BAS16
CR193	1901-1227	1	DIODE-SWITCHING 75V 200MA 6NS TO-236	02910	BAS16
CR194	1901-1227	1	DIODE-SWITCHING 75V 200MA 6NS TO-236	02910	BAS16
CR501	1901-1227	1	DIODE-SWITCHING 75V 200MA 6NS TO-236	02910	BAS16
CR601	1901-1227	1	DIODE-SWITCHING 75V 200MA 6NS TO-236	02910	BAS16
CR602	1901-1227	1	DIODE-SWITCHING 75V 200MA 6NS TO-236	02910	BAS16
DS131	1990-1267	1	LED-LAMP LUM-INT=400UCD IF=12.5MA-MAX	36393	LS S260-DO
DS132	1990-1267	1	LED-LAMP LUM-INT=400UCD IF=12.5MA-MAX	36393	LS S260-DO
E507	9170-1418	1	CORE-SHIELDING BEAD	06352	HF30ACB-453215
E508	9170-1418	1	CORE-SHIELDING BEAD	06352	HF30ACB-453215
J1	1252-1064	1	CONN-POST TYPE .100-PIN-SPCG-MTG-END	01380	1-746878-0
J2	1252-1064	1	CONN-POST TYPE .100-PIN-SPCG-MTG-END	01380	1-746878-0
J3	1252-2007	1	CONN-POST TYPE .100-PIN-SPCG-MTG-END	13369	68451-125
J6	1252-2221	1	CONN-POST TYPE .100-PIN-SPCG-MTG-END	13369	88874-110
J7	1250-0543	1	CONNECTOR-RF SMB MALE PC-W-STDFS 50-OHM	07247	59S213-40TD3
J9	1251-8473	1	CONN-POST TYPE .100-PIN-SPCG-MTG-END	04726	2520-5002UB
J10	1251-8714	1	CONN-POST TYPE .100-PIN-SPCG-MTG-END	01380	103166-5
J11	1252-0523	1	CONN-POST TYPE .100-PIN-SPCG-MTG-END	01380	641216-3
J12	1252-2008	1	CONN-POST TYPE .100-PIN-SPCG-MTG-END	13369	68451-124
J15	1252-1200	1	CONN-POST TYPE .100-PIN-SPCG-MTG-END	13369	68449-079
J16	1252-1200	1	CONN-POST TYPE .100-PIN-SPCG-MTG-END	13369	68449-079
J17	1252-1200	1	CONN-POST TYPE .100-PIN-SPCG-MTG-END	13369	68449-079
J18	1252-1200	1	CONN-POST TYPE .100-PIN-SPCG-MTG-END	13369	68449-079
J19	1252-1200	1	CONN-POST TYPE .100-PIN-SPCG-MTG-END	13369	68449-079
J20	1250-0543	1	CONNECTOR-RF SMB MALE PC-W-STDFS 50-OHM	07247	59S213-40TD3
J23	1251-5033	1	CONN-POST TYPE .100-PIN-SPCG-MTG-END	01380	103239-3
J301	1250-0543	1	CONNECTOR-RF SMB MALE PC-W-STDFS 50-OHM	07247	59S213-40TD3
J302	1252-1200	1	CONN-POST TYPE .100-PIN-SPCG-MTG-END	13369	68449-079
J304	1250-0257	1	CONNECTOR-RF SMB MALE PC-W-STDFS 50-OHM	01380	413990-3
J501	1250-0543	1	CONNECTOR-RF SMB MALE PC-W-STDFS 50-OHM	07247	59S213-40TD3

*Indicates factory-selected value

**HP Part Number 08563-60135
Frequency Control (continued)**

Reference Designator	HP Part Number	Qty	Description	Mfr Code	Mfr Part Number
L1	9140-0738	1	INDUCTOR 100uH .6W-INX.7LG-IN	01869	52405
L2	9140-0738	1	INDUCTOR 100uH .6W-INX.7LG-IN	01869	52405
L3	9140-0738	1	INDUCTOR 100uH .6W-INX.7LG-IN	01869	52405
L4	9140-1109	1	INDUCTOR 4.7uH +-5% 3.4W-mmX4.8LG-mm	06352	NL453232-4R7J
L5	9140-0210	1	INDUCTOR RF-CH-MLD 100uH +-5%	05524	IM-4 100UH 5%
L6	9140-0210	1	INDUCTOR RF-CH-MLD 100uH +-5%	05524	IM-4 100UH 5%
L7	9140-0210	1	INDUCTOR RF-CH-MLD 100uH +-5%	05524	IM-4 100UH 5%
L9	9140-0251	1	INDUCTOR 10uH +-15% .31D-INX1LG-IN	05524	IH-4 10UH+-15%
L41	9140-1206	1	INDUCTOR 100nH +-5% 2.8W-mmX3.4LG-mm	06352	NL322522T-R10J
L42	9140-1206	1	INDUCTOR 100nH +-5% 2.8W-mmX3.4LG-mm	06352	NL322522T-R10J
L44	9140-1206	1	INDUCTOR 100nH +-5% 2.8W-mmX3.4LG-mm	06352	NL322522T-R10J
L45	9140-1205	1	INDUCTOR 82nH +-5% 2.8W-mmX3.4LG-mm Q=27	09891	KL32TE082J
L46	9140-1206	1	INDUCTOR 100nH +-5% 2.8W-mmX3.4LG-mm	06352	NL322522T-R10J
L47	9135-0080	1	INDUCTOR 27nH +-5.556% 2.6D-mmX6.6LG-mm	03273	10M271X-1
L71	9140-1113	1	INDUCTOR 10uH +-5% 3.4W-mmX4.8LG-mm Q=50	06352	NL453232-100J-3
L72	9140-1194	1	INDUCTOR 10nH +-10% 2.8W-mmX3.4LG-mm	09891	KL32TE010K
L73	9140-1206	1	INDUCTOR 100nH +-5% 2.8W-mmX3.4LG-mm	06352	NL322522T-R10J
L74	9140-1206	1	INDUCTOR 100nH +-5% 2.8W-mmX3.4LG-mm	06352	NL322522T-R10J
L75	9140-1201	1	INDUCTOR 39nH +-5% 2.8W-mmX3.4LG-mm Q=25	06352	NL322522T-039J
L76	9140-1201	1	INDUCTOR 39nH +-5% 2.8W-mmX3.4LG-mm Q=25	06352	NL322522T-039J
L77	9140-1201	1	INDUCTOR 39nH +-5% 2.8W-mmX3.4LG-mm Q=25	06352	NL322522T-039J
L93	9140-1113	1	INDUCTOR 10uH +-5% 3.4W-mmX4.8LG-mm Q=50	06352	NL453232-100J-3
L101	9100-3922	1	INDUCTOR-FIXED Z > 1200 OHMS 120 TO 650	03273	51-088
L102	9140-1109	1	INDUCTOR 4.7uH +-5% 3.4W-mmX4.8LG-mm	06352	NL453232-4R7J
L103	9140-1109	1	INDUCTOR 4.7uH +-5% 3.4W-mmX4.8LG-mm	06352	NL453232-4R7J
L110	9140-1113	1	INDUCTOR 10uH +-5% 3.4W-mmX4.8LG-mm Q=50	06352	NL453232-100J-3
L201	9140-0210	1	INDUCTOR RF-CH-MLD 100uH +-5%	05524	IM-4 100UH 5%
L512	9100-1788	1	CORE-FERRITE CHOKE-WIDEBAND;IMP:>680	11212	LB2/2.5ZB
L541	9140-1421	1	INDUCTOR 27uH +-5% 3.4W-mmX4.8LG-mm Q=50	06352	NL453232-270J-3
L560	9140-1098	1	INDUCTOR 150nH +-5% 2.8W-mmX3.4LG-mm	09891	KL32TER15J
L561	9140-1205	1	INDUCTOR 82nH +-5% 2.8W-mmX3.4LG-mm Q=27	09891	KL32TE082J
L562	9140-1098	1	INDUCTOR 150nH +-5% 2.8W-mmX3.4LG-mm	09891	KL32TER15J
L563	9140-1204	1	INDUCTOR 68nH +-5% 2.8W-mmX3.4LG-mm Q=27	09891	KL32TE068J
L564	9140-1098	1	INDUCTOR 150nH +-5% 2.8W-mmX3.4LG-mm	09891	KL32TER15J
L601	9140-0738	1	INDUCTOR 100uH .6W-INX.7LG-IN	01869	52405

HP Part Number 08563-60135
Frequency Control (continued)

Reference Designator	HP Part Number	Qty	Description	Mfr Code	Mfr Part Number
MP4	1200-0173	1	INSULATOR-XSTR DAP-GL	14283	A-10001 DAP
MP5	1200-0173	1	INSULATOR-XSTR DAP-GL	14283	A-10001 DAP
MP6	1205-0011	1	HEAT SINK TO-5/TO-39-CS	05792	TXBF-032-025B
MP7	1205-1181	1	HEAT SINK SGL TO-220-CS	07179	577002B00500
MP8	5002-4029	1	HEAT SINK	09507	5002-4029
MP9	3030-0133	1	SCREW-SKT HD CAP 6-32 .25-IN-LG SST	04204	3030-0133
MP12	5063-0209	1	SHIELD AY-FC TOP	28480	5063-0209
MP13	5063-0210	1	SHIELD AY-FC BOT	28480	5063-0210
MP15	1205-0011	1	HEAT SINK TO-5/TO-39-CS	05792	TXBF-032-025B
MP16	1205-1181	1	HEAT SINK SGL TO-220-CS	07179	577002B00500
MP17	3030-0133	1	SCREW-SKT HD CAP 6-32 .25-IN-LG SST	04204	3030-0133
MP18	0515-0430	1	SCREW-MACHINE ASSEMBLY M3 X 0.5 6MM-LG	07606	0515-0430
P23	1258-0141	1	JUMPER-REMOVABLE FOR 0.025 IN SQ PINS	01380	530153-2
Q1	1853-0580	1	TRANSISTOR PNP SI SOT-23 (TO-236AB)	12125	KST4403
Q2	1854-1188	1	TRANSISTOR NPN SI SOT-23 (TO-236AB)	12125	KST4401
Q3	1854-1251	1	TRANSISTOR-DUAL NPN	03285	SSM-2210S
Q101	1854-1037	1	TRANSISTOR NPN SI TO-236AA PD=350MW	00746	SST3904T116
Q102	1853-0567	1	TRANSISTOR PNP SI SOT-23 (TO-236AB)	12125	KST3906
Q103	1853-0567	1	TRANSISTOR PNP SI SOT-23 (TO-236AB)	12125	KST3906
Q104	1854-1094	1	TRANSISTOR NPN SI SOT-89 (TO-243AB)	02910	PXT2222A
Q105	1853-0580	1	TRANSISTOR PNP SI SOT-23 (TO-236AB)	12125	KST4403
Q106	1854-1304	1	TRANSISTOR NPN SI CHIP PD=580MW	03074	NE85635
Q107	1853-0568	1	TRANSISTOR PNP SI TO-236AA PD=350MW	36633	MMBT5087LT1
Q131	1853-0580	1	TRANSISTOR PNP SI SOT-23 (TO-236AB)	12125	KST4403
Q132	1854-1188	1	TRANSISTOR NPN SI SOT-23 (TO-236AB)	12125	KST4401
Q301	1855-0509	1	TRANSISTOR MOSFET P-CHAN E-MODE TO-220	37338	IRF9520
Q302	1855-0509	1	TRANSISTOR MOSFET P-CHAN E-MODE TO-220	37338	IRF9520
Q303	1855-0856	1	TRANSISTOR J-FET P-CHAN SOT-23	02883	SST174
Q304	1855-0856	1	TRANSISTOR J-FET P-CHAN SOT-23	02883	SST174
Q305	1855-0715	1	TRANSISTOR J-FET N-CHAN D-MODE SOT-23	02910	PMBF4393
Q306	1854-0637	1	TRANSISTOR NPN 2N2219A SI TO-5 PD=800MW	11699	2N2219A
Q307	1853-0314	1	TRANSISTOR PNP 2N2905A SI TO-39 PD=400MW	11699	2N2905A
Q311	1855-0801	1	TRANSISTOR MOSFET P-CHAN E-MODE TO-252AA	36633	MTD2955V
Q313	1853-0724	1	TRANSISTOR PNP SI TO-261AA (SOT-223)	02910	PZT2907A
Q314	1854-1053	1	TRANSISTOR NPN SI SOT-23 (TO-236AB)	12125	KST2222A

*Indicates factory-selected value

**HP Part Number 08563-60135
Frequency Control (continued)**

Reference Designator	HP Part Number	Qty	Description	Mfr Code	Mfr Part Number
Q404	1855-0581	1	TRANSISTOR MOSFET N-CHAN E-MODE TO-220AB	03038	IRF520N
Q406	1854-1053	1	TRANSISTOR NPN SI SOT-23 (TO-236AB)	12125	KST2222A
Q432	1858-0112	1	TRANSISTOR ARRAY 16-PIN PLSTC SURFACE	02237	MMPQ2222A
Q433	1858-0113	1	TRANSISTOR ARRAY 16-PIN PLSTC SURFACE	02237	MMPQ2907A
R1	0699-1391	1	RESISTOR 10K +-1% .125W TKF TC=0+-100	05524	CRCW12061002F
R2	0699-1391	1	RESISTOR 10K +-1% .125W TKF TC=0+-100	05524	CRCW12061002F
R3	0699-1415	1	RESISTOR 100 +-1% .125W TKF TC=0+-100	05524	CRCW12061000F
R5	0699-2489	1	RESISTOR 10K +-0.1% .125W TF TC=0+-25	01172	BLU-1206 10K .1% 25PPM
R6	0699-2967	1	RESISTOR 4.64K +-0.1% .125W TF TC=0+-25	02499	W1206R034641B
R8	0699-1391	1	RESISTOR 10K +-1% .125W TKF TC=0+-100	05524	CRCW12061002F
R9	0699-1380	1	RESISTOR 3.16K +-1% .125W TKF TC=0+-100	05524	CRCW12063161F
R10	0699-1406	1	RESISTOR 42.2K +-1% .125W TKF TC=0+-100	00746	MCR18-F-4222
R11	0699-1369	1	RESISTOR 1.1K +-1% .125W TKF TC=0+-100	05524	CRCW12061101F
R12	0699-0642	1	RESISTOR 10K +-0.1% .1W TF TC=0+-5	05524	PTF-5610K0BT-16
R13	0699-0642	1	RESISTOR 10K +-0.1% .1W TF TC=0+-5	05524	PTF-5610K0BT-16
R14	0699-1438	1	RESISTOR 909 +-1% .125W TKF TC=0+-100	05524	CRCW12069090F
R15	0698-6630	1	RESISTOR 20K +-0.1% .125W TF TC=0+-25	05524	CMF-552002BT-9
R18	0699-1391	1	RESISTOR 10K +-1% .125W TKF TC=0+-100	05524	CRCW12061002F
R19	0699-1391	1	RESISTOR 10K +-1% .125W TKF TC=0+-100	05524	CRCW12061002F
R20	0698-6317	1	RESISTOR 500 +-0.1% .125W TF TC=0+-25	05524	CMF-555000BT-9
R21	0699-1407	1	RESISTOR 46.4K +-1% .125W TKF TC=0+-100	05524	CRCW12064642F
R22	0699-1443	1	RESISTOR 147K +-1% .125W TKF TC=0+-100	09891	RK73H2BT1473F
R25	0699-1375	1	RESISTOR 1.96K +-1% .125W TKF TC=0+-100	09891	RK73H2BT1961F
R26	0699-1407	1	RESISTOR 46.4K +-1% .125W TKF TC=0+-100	05524	CRCW12064642F
R28	0699-1422	1	RESISTOR 196 +-1% .125W TKF TC=0+-100	09891	RK73H2BT1960F
R29	0699-1383	1	RESISTOR 4.22K +-1% .125W TKF TC=0+-100	00746	MCR18-F-4221
R30	0699-1386	1	RESISTOR 5.62K +-1% .125W TKF TC=0+-100	09891	RK73H2BT5621F
R31	0699-1443	1	RESISTOR 147K +-1% .125W TKF TC=0+-100	09891	RK73H2BT1473F
R32	0699-2836	1	RESISTOR 15K +-0.1% .125W TF TC=0+-25	01172	BLU-1206 15K .1% 25PPM
R33	0699-2836	1	RESISTOR 15K +-0.1% .125W TF TC=0+-25	01172	BLU-1206 15K .1% 25PPM
R34	0699-1370	1	RESISTOR 1.21K +-1% .125W TKF TC=0+-100	05524	CRCW12061211F
R35	0699-1391	1	RESISTOR 10K +-1% .125W TKF TC=0+-100	05524	CRCW12061002F
R37	0699-0642	1	RESISTOR 10K +-0.1% .1W TF TC=0+-5	05524	PTF-5610K0BT-16
R38	0699-1327	1	RESISTOR 1M +-1% .125W TKF TC=0+-100	09891	RK73H2BT1004F
R39	0699-0642	1	RESISTOR 10K +-0.1% .1W TF TC=0+-5	05524	PTF-5610K0BT-16

HP Part Number 08563-60135
Frequency Control (continued)

Reference Designator	HP Part Number	Qty	Description	Mfr Code	Mfr Part Number
R40	0699-0118	1	RESISTOR 20K +-0.1% .1W TF TC=0+-5	05524	PTF-5620K0BT-16
R41	0699-0118	1	RESISTOR 20K +-0.1% .1W TF TC=0+-5	05524	PTF-5620K0BT-16
R42	2100-4159	1	RESISTOR-TRMR 20 10% TKF TOP-ADJ 25-TRN	04568	67 YR
R43	0699-1348	1	RESISTOR 14.7 +-1% .125W TKF TC=0+-100	05524	CRCW120614R7F
R44	0699-0555	1	RESISTOR 100 +-0.1% .3W MF TC=0+-5	05524	VSR 100R .1%
R47	0699-1391	1	RESISTOR 10K +-1% .125W TKF TC=0+-100	05524	CRCW12061002F
R48	0699-1361	1	RESISTOR 51.1 +-1% .125W TKF TC=0+-100	05524	CRCW120651R1F
R49	0699-1425	1	RESISTOR 261 +-1% .125W TKF TC=0+-100	00746	MCR18-F-2610
R50	0699-1391	1	RESISTOR 10K +-1% .125W TKF TC=0+-100	05524	CRCW12061002F
R51	0699-1414	1	RESISTOR 90.9K +-1% .125W TKF TC=0+-100	09891	RK73H2BT9092F
R52	0699-1448	1	RESISTOR 316K +-1% .125W TKF TC=0+-100	05524	CRCW12063163F
R53	0699-2846	1	RESISTOR 5K +-0.1% .125W TF TC=0+-25	02499	W1206R035001BT
R54	0699-2846	1	RESISTOR 5K +-0.1% .125W TF TC=0+-25	02499	W1206R035001BT
R55	0699-1329	1	RESISTOR 6.19K +-1% .125W TKF TC=0+-100	05524	CRCW12066191F
R56	0699-1383	1	RESISTOR 4.22K +-1% .125W TKF TC=0+-100	00746	MCR18-F-4221
R57	0698-6967	1	RESISTOR 32.5K +-1% .125W TF TC=0+-25	05524	CMF-553252FT-9
R58	0699-2488	1	RESISTOR 100 +-0.1% .125W TF TC=0+-25	02499	W1206R031000BT
R59	0699-1415	1	RESISTOR 100 +-1% .125W TKF TC=0+-100	05524	CRCW12061000F
R60	0699-0555	1	RESISTOR 100 +-0.1% .3W MF TC=0+-5	05524	VSR 100R .1%
R61	0699-0555	1	RESISTOR 100 +-0.1% .3W MF TC=0+-5	05524	VSR 100R .1%
R62	0699-1354	1	RESISTOR 26.1 +-1% .125W TKF TC=0+-100	09891	RK73H2BT26R1F
R63	0699-1385	1	RESISTOR 5.11K +-1% .125W TKF TC=0+-100	05524	CRCW12065111F
R64	0699-1385	1	RESISTOR 5.11K +-1% .125W TKF TC=0+-100	05524	CRCW12065111F
R68	0699-1415	1	RESISTOR 100 +-1% .125W TKF TC=0+-100	05524	CRCW12061000F
R69	0699-1429	1	RESISTOR 383 +-1% .125W TKF TC=0+-100	09891	RK73H2BT3830F
R70	0699-1318	1	RESISTOR 1K +-1% .125W TKF TC=0+-100	00746	MCR18-F-1001
R71	0699-2483	1	RESISTOR 4K +-0.1% .125W TF TC=0+-25	02499	W1206R034001BT
R72	0699-2847	1	RESISTOR 2K +-0.1% .125W TF TC=0+-25	01172	BLU-1206 2K .1% 25PPM
R73	0757-0003	1	RESISTOR 26.1 +-1% .5W TF TC=0+-100	01074	H226R1FZ
R74	0757-0003	1	RESISTOR 26.1 +-1% .5W TF TC=0+-100	01074	H226R1FZ
R75	0699-1421	1	RESISTOR 178 +-1% .125W TKF TC=0+-100	09891	RK73H2BT1780F
R76	2100-1773	1	RESISTOR-TRMR 1K 5% WW TOP-ADJ 1-TRN	06026	CT-100-4-1K
R77	0757-0003	1	RESISTOR 26.1 +-1% .5W TF TC=0+-100	01074	H226R1FZ
R78	0699-1382	1	RESISTOR 3.83K +-1% .125W TKF TC=0+-100	05524	CRCW12063831F
R79	0699-2107	1	RESISTOR 63.93K +-0.1% .125W TF TC=0+-5	33830	UXBA63K930B

*Indicates factory-selected value

**HP Part Number 08563-60135
Frequency Control (continued)**

Reference Designator	HP Part Number	Qty	Description	Mfr Code	Mfr Part Number
R80	0699-2109	1	RESISTOR 25K +0.1% .125W TF TC=0+-5	33830	UXBA25K000B
R81	0699-2108	1	RESISTOR 50K +0.1% .125W TF TC=0+-5	33830	UXBA50K000B
R82	0699-2108	1	RESISTOR 50K +0.1% .125W TF TC=0+-5	33830	UXBA50K000B
R83	0699-1318	1	RESISTOR 1K +-1% .125W TKF TC=0+-100	00746	MCR18-F-1001
R84	0699-1391	1	RESISTOR 10K +-1% .125W TKF TC=0+-100	05524	CRCW12061002F
R85	0699-1329	1	RESISTOR 6.19K +-1% .125W TKF TC=0+-100	05524	CRCW12066191F
R86	0699-2108	1	RESISTOR 50K +0.1% .125W TF TC=0+-5	33830	UXBA50K000B
R87	0699-2836	1	RESISTOR 15K +0.1% .125W TF TC=0+-25	01172	BLU-1206 15K .1% 25PPM
R88	0699-2114	1	RESISTOR 1K +-0.1% .125W TF TC=0+-5	05524	PTF-561K000BT-16
R89	0699-2114	1	RESISTOR 1K +-0.1% .125W TF TC=0+-5	05524	PTF-561K000BT-16
R90	0699-2114	1	RESISTOR 1K +-0.1% .125W TF TC=0+-5	05524	PTF-561K000BT-16
R91	0811-3852	1	RESISTOR 5 +-1% 3.5W PI TC=0+-5	05524	RS-5-1875R01%
R92	0699-2839	1	RESISTOR 150K +-0.1% .125W TF TC=0+-25	01172	BLU-1206 150K .1% 25PPM
R93	2100-3286	1	RESISTOR-TRMR 10K 10% TKF TOP-ADJ 17-TRN	04568	67WR
R94	0699-1425	1	RESISTOR 261 +-1% .125W TKF TC=0+-100	00746	MCR18-F-2610
R95	0699-2489	1	RESISTOR 10K +0.1% .125W TF TC=0+-25	01172	BLU-1206 10K .1% 25PPM
R96	0699-2489	1	RESISTOR 10K +0.1% .125W TF TC=0+-25	01172	BLU-1206 10K .1% 25PPM
R99	0699-1408	1	RESISTOR 51.1K +-1% .125W TKF TC=0+-100	05524	CRCW12065112F
R100	0699-1381	1	RESISTOR 3.48K +-1% .125W TKF TC=0+-100	05524	CRCW12063481F
R101	0699-1391	1	RESISTOR 10K +-1% .125W TKF TC=0+-100	05524	CRCW12061002F
R102	0699-1391	1	RESISTOR 10K +-1% .125W TKF TC=0+-100	05524	CRCW12061002F
R103	0699-1406	1	RESISTOR 42.2K +-1% .125W TKF TC=0+-100	00746	MCR18-F-4222
R104	0699-1327	1	RESISTOR 1M +-1% .125W TKF TC=0+-100	09891	RK73H2BT1004F
R105	0699-2113	1	RESISTOR 2K +-0.1% .125W TF TC=0+-5	33830	UXBA2K0000B
R107	0699-1385	1	RESISTOR 5.11K +-1% .125W TKF TC=0+-100	05524	CRCW12065111F
R108	0699-2846	1	RESISTOR 5K +-0.1% .125W TF TC=0+-25	02499	W1206R035001BT
R109	0699-1382	1	RESISTOR 3.83K +-1% .125W TKF TC=0+-100	05524	CRCW12063831F
R112	0699-2125	1	RESISTOR 643.7K +-1% .125W TF TC=0+-100	05524	CMF-55643R7KFT-1
R113	0699-2113	1	RESISTOR 2K +-0.1% .125W TF TC=0+-5	33830	UXBA2K0000B
R114	0699-2489	1	RESISTOR 10K +0.1% .125W TF TC=0+-25	01172	BLU-1206 10K .1% 25PPM
R115	0699-1330	1	RESISTOR 100K +-1% .125W TKF TC=0+-100	00746	MCR18-F-1003
R116	0699-1330	1	RESISTOR 100K +-1% .125W TKF TC=0+-100	00746	MCR18-F-1003
R117	0699-1399	1	RESISTOR 23.7K +-1% .125W TKF TC=0+-100	05524	CRCW12062372F
R119	0699-1361	1	RESISTOR 51.1 +-1% .125W TKF TC=0+-100	05524	CRCW120651R1F
R120	0699-2104	1	RESISTOR 169.5K +-0.1% .125W TF TC=0+-5	33830	UXBA169K50B

**HP Part Number 08563-60135
Frequency Control (continued)**

Reference Designator	HP Part Number	Qty	Description	Mfr Code	Mfr Part Number
R121	0699-3450	1	RESISTOR 487 +0.1% .1W TF TC=0+-5	33830	UXBA487R00B
R122	0699-2122	1	RESISTOR 55.5K +0.1% .125W TF TC=0+-25	05524	CMF-555552BT-9
R123	0699-2489	1	RESISTOR 10K +0.1% .125W TF TC=0+-25	01172	BLU-1206 10K .1% 25PPM
R124	0699-1391	1	RESISTOR 10K +-1% .125W TKF TC=0+-100	05524	CRCW12061002F
R125	0699-1415	1	RESISTOR 100 +-1% .125W TKF TC=0+-100	05524	CRCW12061000F
R126	0699-0555	1	RESISTOR 100 +-0.1% .3W MF TC=0+-5	05524	VSR 100R .1%
R128	0699-1416	1	RESISTOR 110 +-1% .125W TKF TC=0+-100	05524	CRCW12061100F
R129	0699-1391	1	RESISTOR 10K +-1% .125W TKF TC=0+-100	05524	CRCW12061002F
R130	0699-1415	1	RESISTOR 100 +-1% .125W TKF TC=0+-100	05524	CRCW12061000F
R131	0699-1369	1	RESISTOR 1.1K +-1% .125W TKF TC=0+-100	05524	CRCW12061101F
R132	0699-2105	1	RESISTOR 150K +-0.1% .125W TF TC=0+-5	33830	UXBA150K00B
R133	0699-1377	1	RESISTOR 2.37K +-1% .125W TKF TC=0+-100	09891	RK73H2BT2371F
R135	0699-1391	1	RESISTOR 10K +-1% .125W TKF TC=0+-100	05524	CRCW12061002F
R137	0699-2841	1	RESISTOR 9K +0.1% .125W TF TC=0+-25	02499	W1206R039001BT
R138	0699-2827	1	RESISTOR 900 +-0.1% .125W TF TC=0+-25	02499	W1206R039000BT
R139	0699-2488	1	RESISTOR 100 +-0.1% .125W TF TC=0+-25	02499	W1206R031000BT
R141	0699-1386	1	RESISTOR 5.62K +-1% .125W TKF TC=0+-100	09891	RK73H2BT5621F
R142	0699-1405	1	RESISTOR 38.3K +-1% .125W TKF TC=0+-100	05524	CRCW12063832F
R143	0699-1445	1	RESISTOR 215K +-1% .125W TKF TC=0+-100	05524	CRCW12062153F
R146	0699-2484	1	RESISTOR 50K +-0.1% .125W TF TC=0+-25	01172	BLU-1206 50K .1% 25PPM
R150	0699-1384	1	RESISTOR 4.64K +-1% .125W TKF TC=0+-100	09891	RK73H2BT4641F
R151	0699-1386	1	RESISTOR 5.62K +-1% .125W TKF TC=0+-100	09891	RK73H2BT5621F
R152	0699-1384	1	RESISTOR 4.64K +-1% .125W TKF TC=0+-100	09891	RK73H2BT4641F
R153	0699-1386	1	RESISTOR 5.62K +-1% .125W TKF TC=0+-100	09891	RK73H2BT5621F
R154	0699-1388	1	RESISTOR 7.5K +-1% .125W TKF TC=0+-100	05524	CRCW12067501F
R155	0699-1361	1	RESISTOR 51.1 +-1% .125W TKF TC=0+-100	05524	CRCW120651R1F
R164	0699-1421	1	RESISTOR 178 +-1% .125W TKF TC=0+-100	09891	RK73H2BT1780F
R165	0699-1421	1	RESISTOR 178 +-1% .125W TKF TC=0+-100	09891	RK73H2BT1780F
R166	0699-1453	1	RESISTOR 464K +-1% .125W TKF TC=0+-100	00746	MCR18-F-4643
R167	0699-1456	1	RESISTOR 562K +-1% .125W TKF TC=0+-100	09891	RK73H2BT5623F
R175	0699-1503	1	RESISTOR 0 CWM	05524	CRCW1206000
R180	0699-1415	1	RESISTOR 100 +-1% .125W TKF TC=0+-100	05524	CRCW12061000F
R181	0699-1435	1	RESISTOR 681 +-1% .125W TKF TC=0+-100	09891	RK73H2BT6810F
R182	0699-1391	1	RESISTOR 10K +-1% .125W TKF TC=0+-100	05524	CRCW12061002F
R186	0699-1396	1	RESISTOR 17.8K +-1% .125W TKF TC=0+-100	05524	CRCW12061782F

*Indicates factory-selected value

**HP Part Number 08563-60135
Frequency Control (continued)**

Reference Designator	HP Part Number	Qty	Description	Mfr Code	Mfr Part Number
R187	0699-1337	1	RESISTOR 383K +-1% .125W TKF TC=0+-100	09891	RK73H2BT3833F
R188	0699-1400	1	RESISTOR 26.1K +-1% .125W TKF TC=0+-100	05524	CRCW12062612F
R189	0699-1404	1	RESISTOR 34.8K +-1% .125W TKF TC=0+-100	09891	RK73H2BT3482F
R201	0699-1361	1	RESISTOR 51.1 +-1% .125W TKF TC=0+-100	05524	CRCW120651R1F
R202	0699-1432	1	RESISTOR 511 +-1% .125W TKF TC=0+-100	00746	MCR18-F-5110
R203	0699-1385	1	RESISTOR 5.11K +-1% .125W TKF TC=0+-100	05524	CRCW12065111F
R204	0699-1376	1	RESISTOR 2.15K +-1% .125W TKF TC=0+-100	09891	RK73H2BT2151F
R205	0699-1415	1	RESISTOR 100 +-1% .125W TKF TC=0+-100	05524	CRCW12061000F
R206	0699-1365	1	RESISTOR 75 +-1% .125W TKF TC=0+-100	05524	CRCW120675R0F
R207	0699-1361	1	RESISTOR 51.1 +-1% .125W TKF TC=0+-100	05524	CRCW120651R1F
R209	0699-1391	1	RESISTOR 10K +-1% .125W TKF TC=0+-100	05524	CRCW12061002F
R211	0699-1384	1	RESISTOR 4.64K +-1% .125W TKF TC=0+-100	09891	RK73H2BT4641F
R212	0699-1384	1	RESISTOR 4.64K +-1% .125W TKF TC=0+-100	09891	RK73H2BT4641F
R214	0699-1377	1	RESISTOR 2.37K +-1% .125W TKF TC=0+-100	09891	RK73H2BT2371F
R216	0699-1434	1	RESISTOR 619 +-1% .125W TKF TC=0+-100	05524	CRCW12061960F
R217	0699-1377	1	RESISTOR 2.37K +-1% .125W TKF TC=0+-100	09891	RK73H2BT2371F
R219	0699-1434	1	RESISTOR 619 +-1% .125W TKF TC=0+-100	05524	CRCW12061960F
R220	0699-1434	1	RESISTOR 619 +-1% .125W TKF TC=0+-100	05524	CRCW12061960F
R221	0699-1376	1	RESISTOR 2.15K +-1% .125W TKF TC=0+-100	09891	RK73H2BT2151F
R223	0699-1432	1	RESISTOR 511 +-1% .125W TKF TC=0+-100	00746	MCR18-F-5110
R224	0699-1369	1	RESISTOR 1.1K +-1% .125W TKF TC=0+-100	05524	CRCW12061101F
R225	0699-1376	1	RESISTOR 2.15K +-1% .125W TKF TC=0+-100	09891	RK73H2BT2151F
R226	0699-1384	1	RESISTOR 4.64K +-1% .125W TKF TC=0+-100	09891	RK73H2BT4641F
R230	0699-1434	1	RESISTOR 619 +-1% .125W TKF TC=0+-100	05524	CRCW12061960F
R231	0699-1392	1	RESISTOR 11K +-1% .125W TKF TC=0+-100	05524	CRCW12061102F
R232	0699-1362	1	RESISTOR 56.2 +-1% .125W TKF TC=0+-100	00746	MCR18-F-56R2
R233	0699-1385	1	RESISTOR 5.11K +-1% .125W TKF TC=0+-100	05524	CRCW12065111F
R234	0699-1361	1	RESISTOR 51.1 +-1% .125W TKF TC=0+-100	05524	CRCW120651R1F
R235	0699-1361	1	RESISTOR 51.1 +-1% .125W TKF TC=0+-100	05524	CRCW120651R1F
R236	0699-1391	1	RESISTOR 10K +-1% .125W TKF TC=0+-100	05524	CRCW12061002F
R237	0699-1396	1	RESISTOR 17.8K +-1% .125W TKF TC=0+-100	05524	CRCW12061782F
R238	0699-1378	1	RESISTOR 2.61K +-1% .125W TKF TC=0+-100	09891	RK73H2BT2611F
R239	0699-1387	1	RESISTOR 6.81K +-1% .125W TKF TC=0+-100	05524	CRCW12066811F
R240	0699-1503	1	RESISTOR 0 CWM	05524	CRCW1206000
R241	0699-1785	1	RESISTOR 13.3K +-1% .125W TKF TC=0+-100	05524	CRCW12061332F

HP Part Number 08563-60135
Frequency Control (continued)

Reference Designator	HP Part Number	Qty	Description	Mfr Code	Mfr Part Number
R242	0699-1377	1	RESISTOR 2.37K +-1% .125W TKF TC=0+-100	09891	RK73H2BT2371F
R243	0699-1444	1	RESISTOR 178K +-1% .125W TKF TC=0+-100	05524	CRCW12061783F
R244	0699-1319	1	RESISTOR 12.1K +-1% .125W TKF TC=0+-100	09891	RK73H2BT1212F
R245	0699-1372	1	RESISTOR 1.47K +-1% .125W TKF TC=0+-100	00746	MCR18-F-1471
R246	0699-1415	1	RESISTOR 100 +-1% .125W TKF TC=0+-100	05524	CRCW12061000F
R247	0699-1374	1	RESISTOR 1.78K +-1% .125W TKF TC=0+-100	09891	RK73H2BT1781F
R248	0699-1423	1	RESISTOR 215 +-1% .125W TKF TC=0+-100	05524	CRCW12062150F
R249	0699-1356	1	RESISTOR 31.6 +-1% .25W TKF TC=0+-100	09891	RK73H2BT31R6F
R250	0699-1351	1	RESISTOR 19.6 +-1% .125W TKF TC=0+-100	05524	CRCW120619R6F
R251	0699-1366	1	RESISTOR 82.5 +-1% .125W TKF TC=0+-100	05524	CRCW120682R5F
R253	0699-1366	1	RESISTOR 82.5 +-1% .125W TKF TC=0+-100	05524	CRCW120682R5F
R254	0699-1364	1	RESISTOR 68.1 +-1% .125W TKF TC=0+-100	05524	CRCW120668R1F
R255	0699-1364	1	RESISTOR 68.1 +-1% .125W TKF TC=0+-100	05524	CRCW120668R1F
R256	0699-1364	1	RESISTOR 68.1 +-1% .125W TKF TC=0+-100	05524	CRCW120668R1F
R257	0699-1364	1	RESISTOR 68.1 +-1% .125W TKF TC=0+-100	05524	CRCW120668R1F
R258	0699-1363	1	RESISTOR 61.9 +-1% .125W TKF TC=0+-100	05524	CRCW120661R9F
R259	0699-1363	1	RESISTOR 61.9 +-1% .125W TKF TC=0+-100	05524	CRCW120661R9F
R260	0699-1363	1	RESISTOR 61.9 +-1% .125W TKF TC=0+-100	05524	CRCW120661R9F
R261	0699-1363	1	RESISTOR 61.9 +-1% .125W TKF TC=0+-100	05524	CRCW120661R9F
R262	0699-1363	1	RESISTOR 61.9 +-1% .125W TKF TC=0+-100	05524	CRCW120661R9F
R263	0699-1351	1	RESISTOR 19.6 +-1% .125W TKF TC=0+-100	05524	CRCW120619R6F
R264	0699-1318	1	RESISTOR 1K +-1% .125W TKF TC=0+-100	00746	MCR18-F-1001
R265	0699-1418	1	RESISTOR 133 +-1% .125W TKF TC=0+-100	05524	CRCW12061330F
R266	0699-1359	1	RESISTOR 42.2 +-1% .125W TKF TC=0+-100	05524	CRCW120642R2F
R267	0699-1418	1	RESISTOR 133 +-1% .125W TKF TC=0+-100	05524	CRCW12061330F
R268	0699-1322	1	RESISTOR 68.1K +-1% .125W TKF TC=0+-100	09891	RK73H2BT6812F
R269	0699-1320	1	RESISTOR 19.6K +-1% .125W TKF TC=0+-100	09891	RK73H2BT1962F
R270	0699-1320	1	RESISTOR 19.6K +-1% .125W TKF TC=0+-100	09891	RK73H2BT1962F
R271	0699-1431	1	RESISTOR 464 +-1% .125W TKF TC=0+-100	05524	CRCW12064640F
R272	0699-1431	1	RESISTOR 464 +-1% .125W TKF TC=0+-100	05524	CRCW12064640F
R273	0699-1347	1	RESISTOR 13.3 +-1% .125W TKF TC=0+-100	09891	RK73H2BT13R3F
R274	0699-1391	1	RESISTOR 10K +-1% .125W TKF TC=0+-100	05524	CRCW12061002F
R275	0699-1366	1	RESISTOR 82.5 +-1% .125W TKF TC=0+-100	05524	CRCW120682R5F
R276	0699-1416	1	RESISTOR 110 +-1% .125W TKF TC=0+-100	05524	CRCW12061100F
R277	0699-1416	1	RESISTOR 110 +-1% .125W TKF TC=0+-100	05524	CRCW12061100F

*Indicates factory-selected value

**HP Part Number 08563-60135
Frequency Control (continued)**

Reference Designator	HP Part Number	Qty	Description	Mfr Code	Mfr Part Number
R278	0699-1366	1	RESISTOR 82.5 +-1% .125W TKF TC=0+-100	05524	CRCW120682R5F
R279	0699-1417	1	RESISTOR 121 +-1% .125W TKF TC=0+-100	09891	RK73H2BT1210F
R280	0699-1417	1	RESISTOR 121 +-1% .125W TKF TC=0+-100	09891	RK73H2BT1210F
R281	0699-1417	1	RESISTOR 121 +-1% .125W TKF TC=0+-100	09891	RK73H2BT1210F
R282	0699-1417	1	RESISTOR 121 +-1% .125W TKF TC=0+-100	09891	RK73H2BT1210F
R283	0699-1417	1	RESISTOR 121 +-1% .125W TKF TC=0+-100	09891	RK73H2BT1210F
R284	0699-1359	1	RESISTOR 42.2 +-1% .125W TKF TC=0+-100	05524	CRCW120642R2F
R285	0699-1417	1	RESISTOR 121 +-1% .125W TKF TC=0+-100	09891	RK73H2BT1210F
R286	0699-1417	1	RESISTOR 121 +-1% .125W TKF TC=0+-100	09891	RK73H2BT1210F
R287	0699-1417	1	RESISTOR 121 +-1% .125W TKF TC=0+-100	09891	RK73H2BT1210F
R288	0699-1417	1	RESISTOR 121 +-1% .125W TKF TC=0+-100	09891	RK73H2BT1210F
R289	0699-1417	1	RESISTOR 121 +-1% .125W TKF TC=0+-100	09891	RK73H2BT1210F
R293	0699-1355	1	RESISTOR 28.7 +-1% .125W TKF TC=0+-100	09891	RK73H2BT28R7F
R294	0699-1363	1	RESISTOR 61.9 +-1% .125W TKF TC=0+-100	05524	CRCW120661R9F
R295	0699-1425	1	RESISTOR 261 +-1% .125W TKF TC=0+-100	00746	MCR18-F-2610
R296	0699-1318	1	RESISTOR 1K +-1% .125W TKF TC=0+-100	00746	MCR18-F-1001
R297	0699-1318	1	RESISTOR 1K +-1% .125W TKF TC=0+-100	00746	MCR18-F-1001
R298	0699-1318	1	RESISTOR 1K +-1% .125W TKF TC=0+-100	00746	MCR18-F-1001
R313	0699-1327	1	RESISTOR 1M +-1% .125W TKF TC=0+-100	09891	RK73H2BT1004F
R314	0699-1444	1	RESISTOR 178K +-1% .125W TKF TC=0+-100	05524	CRCW12061783F
R321	0699-1391	1	RESISTOR 10K +-1% .125W TKF TC=0+-100	05524	CRCW12061002F
R322	0699-1391	1	RESISTOR 10K +-1% .125W TKF TC=0+-100	05524	CRCW12061002F
R323	0699-1391	1	RESISTOR 10K +-1% .125W TKF TC=0+-100	05524	CRCW12061002F
R324	0699-1391	1	RESISTOR 10K +-1% .125W TKF TC=0+-100	05524	CRCW12061002F
R331	0699-1327	1	RESISTOR 1M +-1% .125W TKF TC=0+-100	09891	RK73H2BT1004F
R332	0699-1327	1	RESISTOR 1M +-1% .125W TKF TC=0+-100	09891	RK73H2BT1004F
R333	0699-1387	1	RESISTOR 6.81K +-1% .125W TKF TC=0+-100	05524	CRCW12066811F
R334	0699-1385	1	RESISTOR 5.11K +-1% .125W TKF TC=0+-100	05524	CRCW12065111F
R335	0699-1406	1	RESISTOR 42.2K +-1% .125W TKF TC=0+-100	00746	MCR18-F-4222
R336	0699-1406	1	RESISTOR 42.2K +-1% .125W TKF TC=0+-100	00746	MCR18-F-4222
R337	0699-1398	1	RESISTOR 21.5K +-1% .125W TKF TC=0+-100	05524	CRCW12062152F
R338	0699-1327	1	RESISTOR 1M +-1% .125W TKF TC=0+-100	09891	RK73H2BT1004F
R339	0699-1444	1	RESISTOR 178K +-1% .125W TKF TC=0+-100	05524	CRCW12061783F
R400	0699-1391	1	RESISTOR 10K +-1% .125W TKF TC=0+-100	05524	CRCW12061002F
R401	0699-1391	1	RESISTOR 10K +-1% .125W TKF TC=0+-100	05524	CRCW12061002F

HP Part Number 08563-60135
Frequency Control (continued)

Reference Designator	HP Part Number	Qty	Description	Mfr Code	Mfr Part Number
R402	0699-1391	1	RESISTOR 10K +-1% .125W TKF TC=0+-100	05524	CRCW12061002F
R403	0699-1391	1	RESISTOR 10K +-1% .125W TKF TC=0+-100	05524	CRCW12061002F
R404	0699-1391	1	RESISTOR 10K +-1% .125W TKF TC=0+-100	05524	CRCW12061002F
R405	0699-1391	1	RESISTOR 10K +-1% .125W TKF TC=0+-100	05524	CRCW12061002F
R406	0699-1391	1	RESISTOR 10K +-1% .125W TKF TC=0+-100	05524	CRCW12061002F
R407	1810-1065	1	NET-RES 15 1.0K OHM 16-PIN	05524	SOMC-16-01-102G
R410	0699-1348	1	RESISTOR 14.7 +-1% .125W TKF TC=0+-100	05524	CRCW120614R7F
R411	0699-1904	1	RESISTOR 1.62K +-1% .125W TKF TC=0+-100	05524	CRCW12061621F
R413	1810-1360	1	NET-RES 8 10.0K OHM 16-PIN	05524	SOMC-1603-103G
R426	1810-1360	1	NET-RES 8 10.0K OHM 16-PIN	05524	SOMC-1603-103G
R428	1810-0406	1	NET-RES 4 10.0K OHM 8-PIN	02483	750-83-R10K
R450	0699-1419	1	RESISTOR 147 +-1% .125W TKF TC=0+-100	05524	CRCW12061470F
R530	0699-1416	1	RESISTOR 110 +-1% .125W TKF TC=0+-100	05524	CRCW12061100F
R531	0699-1416	1	RESISTOR 110 +-1% .125W TKF TC=0+-100	05524	CRCW12061100F
R532	0699-1416	1	RESISTOR 110 +-1% .125W TKF TC=0+-100	05524	CRCW12061100F
R533	0699-1416	1	RESISTOR 110 +-1% .125W TKF TC=0+-100	05524	CRCW12061100F
R534	0699-1361	1	RESISTOR 51.1 +-1% .125W TKF TC=0+-100	05524	CRCW120651R1F
R535	0699-1361	1	RESISTOR 51.1 +-1% .125W TKF TC=0+-100	05524	CRCW120651R1F
R536	0699-1416	1	RESISTOR 110 +-1% .125W TKF TC=0+-100	05524	CRCW12061100F
R537	0699-1416	1	RESISTOR 110 +-1% .125W TKF TC=0+-100	05524	CRCW12061100F
R538	0699-1361	1	RESISTOR 51.1 +-1% .125W TKF TC=0+-100	05524	CRCW120651R1F
R539	0699-1361	1	RESISTOR 51.1 +-1% .125W TKF TC=0+-100	05524	CRCW120651R1F
R540	0699-1361	1	RESISTOR 51.1 +-1% .125W TKF TC=0+-100	05524	CRCW120651R1F
R541	0699-1361	1	RESISTOR 51.1 +-1% .125W TKF TC=0+-100	05524	CRCW120651R1F
R542	0699-1415	1	RESISTOR 100 +-1% .125W TKF TC=0+-100	05524	CRCW12061000F
R543	0699-1415	1	RESISTOR 100 +-1% .125W TKF TC=0+-100	05524	CRCW12061000F
R544	0699-1361	1	RESISTOR 51.1 +-1% .125W TKF TC=0+-100	05524	CRCW120651R1F
R545	0699-1427	1	RESISTOR 316 +-1% .125W TKF TC=0+-100	09891	RK73H2BT3160F
R546	0699-1427	1	RESISTOR 316 +-1% .125W TKF TC=0+-100	09891	RK73H2BT3160F
R547	0699-1427	1	RESISTOR 316 +-1% .125W TKF TC=0+-100	09891	RK73H2BT3160F
R548	0699-1427	1	RESISTOR 316 +-1% .125W TKF TC=0+-100	09891	RK73H2BT3160F
R550	0699-1408	1	RESISTOR 51.1K +-1% .125W TKF TC=0+-100	05524	CRCW12065112F
R551	0699-1408	1	RESISTOR 51.1K +-1% .125W TKF TC=0+-100	05524	CRCW12065112F
R552	0699-1427	1	RESISTOR 316 +-1% .125W TKF TC=0+-100	09891	RK73H2BT3160F
R553	0699-1427	1	RESISTOR 316 +-1% .125W TKF TC=0+-100	09891	RK73H2BT3160F

*Indicates factory-selected value

CLIP 08563-90202 17

**HP Part Number 08563-60135
Frequency Control (continued)**

Reference Designator	HP Part Number	Qty	Description	Mfr Code	Mfr Part Number
R554	0699-1415	1	RESISTOR 100 +-1% .125W TKF TC=0+-100	05524	CRCW12061000F
R555	0699-1448	1	RESISTOR 316K +-1% .125W TKF TC=0+-100	05524	CRCW12063163F
R556	0699-1414	1	RESISTOR 90.9K +-1% .125W TKF TC=0+-100	09891	RK73H2BT9092F
R563	0699-1361	1	RESISTOR 51.1 +-1% .125W TKF TC=0+-100	05524	CRCW120651R1F
R564	0699-1361	1	RESISTOR 51.1 +-1% .125W TKF TC=0+-100	05524	CRCW120651R1F
R570	0699-1318	1	RESISTOR 1K +-1% .125W TKF TC=0+-100	00746	MCR18-F-1001
R571	0699-1503	1	RESISTOR 0 CWM	05524	CRCW1206000
R580	0699-1417	1	RESISTOR 121 +-1% .125W TKF TC=0+-100	09891	RK73H2BT1210F
R585	0699-1366	1	RESISTOR 82.5 +-1% .125W TKF TC=0+-100	05524	CRCW120682R5F
R586	0699-1361	1	RESISTOR 51.1 +-1% .125W TKF TC=0+-100	05524	CRCW120651R1F
R587	0699-1361	1	RESISTOR 51.1 +-1% .125W TKF TC=0+-100	05524	CRCW120651R1F
R588	0699-1361	1	RESISTOR 51.1 +-1% .125W TKF TC=0+-100	05524	CRCW120651R1F
R590	0699-1361	1	RESISTOR 51.1 +-1% .125W TKF TC=0+-100	05524	CRCW120651R1F
R591	0699-1361	1	RESISTOR 51.1 +-1% .125W TKF TC=0+-100	05524	CRCW120651R1F
R592	0699-1385	1	RESISTOR 5.11K +-1% .125W TKF TC=0+-100	05524	CRCW12065111F
R593	0699-1385	1	RESISTOR 5.11K +-1% .125W TKF TC=0+-100	05524	CRCW12065111F
R601	0699-1391	1	RESISTOR 10K +-1% .125W TKF TC=0+-100	05524	CRCW12061002F
R602	0699-1391	1	RESISTOR 10K +-1% .125W TKF TC=0+-100	05524	CRCW12061002F
R603	0699-1391	1	RESISTOR 10K +-1% .125W TKF TC=0+-100	05524	CRCW12061002F
R604	0699-1391	1	RESISTOR 10K +-1% .125W TKF TC=0+-100	05524	CRCW12061002F
R619	0699-1377	1	RESISTOR 2.37K +-1% .125W TKF TC=0+-100	09891	RK73H2BT2371F
R621	0699-1374	1	RESISTOR 1.78K +-1% .125W TKF TC=0+-100	09891	RK73H2BT1781F
R622	0699-1430	1	RESISTOR 422 +-1% .125W TKF TC=0+-100	05524	CRCW12064220F
R623	0699-1434	1	RESISTOR 619 +-1% .125W TKF TC=0+-100	05524	CRCW12061960F
R624	0699-1318	1	RESISTOR 1K +-1% .125W TKF TC=0+-100	00746	MCR18-F-1001
R625	0699-1434	1	RESISTOR 619 +-1% .125W TKF TC=0+-100	05524	CRCW12061960F
R626	0699-1391	1	RESISTOR 10K +-1% .125W TKF TC=0+-100	05524	CRCW12061002F
R627	0699-1391	1	RESISTOR 10K +-1% .125W TKF TC=0+-100	05524	CRCW12061002F
R628	0699-1371	1	RESISTOR 1.33K +-1% .125W TKF TC=0+-100	05524	CRCW12061331F
R629	0699-1371	1	RESISTOR 1.33K +-1% .125W TKF TC=0+-100	05524	CRCW12061331F
R630	0699-1391	1	RESISTOR 10K +-1% .125W TKF TC=0+-100	05524	CRCW12061002F
R631	0699-1447	1	RESISTOR 261K +-1% .125W TKF TC=0+-100	09891	RK73H2BT2613F
R632	0699-1391	1	RESISTOR 10K +-1% .125W TKF TC=0+-100	05524	CRCW12061002F
R633	0699-1391	1	RESISTOR 10K +-1% .125W TKF TC=0+-100	05524	CRCW12061002F
R634	0699-1385	1	RESISTOR 5.11K +-1% .125W TKF TC=0+-100	05524	CRCW12065111F

HP Part Number 08563-60135
Frequency Control (continued)

Reference Designator	HP Part Number	Qty	Description	Mfr Code	Mfr Part Number
R635	0699-1432	1	RESISTOR 511 +-1% .125W TKF TC=0+-100	00746	MCR18-F-5110
R636	0699-1385	1	RESISTOR 5.11K +-1% .125W TKF TC=0+-100	05524	CRCW12065111F
R639	0699-1371	1	RESISTOR 1.33K +-1% .125W TKF TC=0+-100	05524	CRCW12061331F
R640	0699-1371	1	RESISTOR 1.33K +-1% .125W TKF TC=0+-100	05524	CRCW12061331F
R641	0699-1371	1	RESISTOR 1.33K +-1% .125W TKF TC=0+-100	05524	CRCW12061331F
R642	0699-1371	1	RESISTOR 1.33K +-1% .125W TKF TC=0+-100	05524	CRCW12061331F
R700	0699-1405	1	RESISTOR 38.3K +-1% .125W TKF TC=0+-100	05524	CRCW12063832F
R701	0699-1391	1	RESISTOR 10K +-1% .125W TKF TC=0+-100	05524	CRCW12061002F
R702	0699-1330	1	RESISTOR 100K +-1% .125W TKF TC=0+-100	00746	MCR18-F-1003
R703	0699-1391	1	RESISTOR 10K +-1% .125W TKF TC=0+-100	05524	CRCW12061002F
R704	0699-1407	1	RESISTOR 46.4K +-1% .125W TKF TC=0+-100	05524	CRCW12064642F
R705	0699-1391	1	RESISTOR 10K +-1% .125W TKF TC=0+-100	05524	CRCW12061002F
R706	0699-1391	1	RESISTOR 10K +-1% .125W TKF TC=0+-100	05524	CRCW12061002F
R707	0699-1391	1	RESISTOR 10K +-1% .125W TKF TC=0+-100	05524	CRCW12061002F
R709	0699-1391	1	RESISTOR 10K +-1% .125W TKF TC=0+-100	05524	CRCW12061002F
R710	0699-1391	1	RESISTOR 10K +-1% .125W TKF TC=0+-100	05524	CRCW12061002F
R711	0699-1391	1	RESISTOR 10K +-1% .125W TKF TC=0+-100	05524	CRCW12061002F
R712	0699-1391	1	RESISTOR 10K +-1% .125W TKF TC=0+-100	05524	CRCW12061002F
R714	0699-1391	1	RESISTOR 10K +-1% .125W TKF TC=0+-100	05524	CRCW12061002F
R718	0699-1391	1	RESISTOR 10K +-1% .125W TKF TC=0+-100	05524	CRCW12061002F
R727	0699-1391	1	RESISTOR 10K +-1% .125W TKF TC=0+-100	05524	CRCW12061002F
R800	0698-8822	1	RESISTOR 6.81 +-1% .125W TF TC=0+-100	05524	CMF-556R81FT-1
TP11	1251-0600	1	CONNECTOR-SGL CONT PIN 1.14-MM-BSC-SZ SQ	03418	16-06-0034
TP12	1251-0600	1	CONNECTOR-SGL CONT PIN 1.14-MM-BSC-SZ SQ	03418	16-06-0034
TP13	1251-0600	1	CONNECTOR-SGL CONT PIN 1.14-MM-BSC-SZ SQ	03418	16-06-0034
TP21	1251-0600	1	CONNECTOR-SGL CONT PIN 1.14-MM-BSC-SZ SQ	03418	16-06-0034
U101	1820-7230	1	IC CNTR CMOS/HC BIN SYNCHRO	36633	MC74HC163ADR2
U102	1820-4966	1	IC FF CMOS/HC D-TYPE POS-EDGE-TRIG	01698	SN74HC74D
U103	1820-4692	1	IC GATE CMOS/HC NAND QUAD 2-INP	01698	SN74HC00D
U104	1826-1925	1	IC OP AMP LOW-NOISE SINGLE 8 PIN	03285	OP-27GS
U105	1826-1528	1	IC COMPARATOR LP QUAD 14 PIN PLSTC-SOIC	03406	LM339M
U106	1826-1925	1	IC OP AMP LOW-NOISE SINGLE 8 PIN	03285	OP-27GS
U107	1826-2175	1	IC RF/IF AMPL SINGLE 4 PIN U-WAVE-PILL	01542	MSA-0386-TR1
U108	5087-8040	1	IC 584P1DIVD	28480	5087-8040
U109	1826-2204	1	IC RF/IF AMPL SINGLE 4 PIN U-WAVE-PILL	01542	MSA-0686

*Indicates factory-selected value

CLIP 08563-90202 19

**HP Part Number 08563-60135
Frequency Control (continued)**

Reference Designator	HP Part Number	Qty	Description	Mfr Code	Mfr Part Number
U110	1826-2204	1	IC RF/IF AMPL SINGLE 4 PIN U-WAVE-PILL	01542	MSA-0686
U112	1821-4291	1	IC-ASIC CL-BSD CMOS 64046 PLCC	02037	SC64046FNR2
U113	1820-6472	1	IC-ASIC GT-ARY 18K GATES CMOS 140G18	06354	TC140G18AT-0001EZ
U114	1820-7310	1	IC CNTR ECL/10E BIN SYNCHRO	36633	MC10E016FN
U116	1826-0760	1	IC TEMP XDCR TO-92	03406	LM335AZ
U117	1826-1862	1	IC OP AMP LOW-BIAS-H-IMPED DUAL 8 PIN	04078	TL072CD
U118	1826-1528	1	IC COMPARATOR LP QUAD 14 PIN PLSTC-SOIC	03406	LM339M
U119	08563-80015	1	PAL-PRGM U119	28480	08563-80015
U120	1820-5804	1	IC SHF-RGTR CMOS/HC SYNC/ASYN	01698	SN74HC165D
U122	1826-1402	1	IC PWR MGT-V-REG-FXD-POS 4.8/5.2V 8 PINS	03406	LM78L05ACM
U123	1826-1402	1	IC PWR MGT-V-REG-FXD-POS 4.8/5.2V 8 PINS	03406	LM78L05ACM
U202	1820-5607	1	IC RCVR ECL/10KH LINE TPL	36633	MC10H116FN
U203	1820-6521	1	IC GATE ECL/10KH OR-NOR TPL 3-INP	36633	MC10H105FNR2
U204	1821-0616	1	IC DET 8 PIN PLSTC-SOIC	02037	MCK12140D
U207	1826-1925	1	IC OP AMP LOW-NOISE SINGLE 8 PIN	03285	OP-27GS
U301	1826-2405	1	D/A 8-BIT 20-PLCC CMOS	03285	AD7528KP
U302	1820-4215	1	IC DCDR-DEMURX CMOS/HC BIN 3-TO-8-LINE	02910	74HC138D
U303	1820-4215	1	IC DCDR-DEMURX CMOS/HC BIN 3-TO-8-LINE	02910	74HC138D
U304	1820-4215	1	IC DCDR-DEMURX CMOS/HC BIN 3-TO-8-LINE	02910	74HC138D
U305	1826-2147	1	ANALOG MULTIPLEXER 8 CHNL 16 -P-SOIC	02883	DG408DY
U306	1826-2149	1	ANALOG SWITCH 4 SPST 16 -P-SOIC	02883	DG444DY
U307	1826-1091	1	D/A 8-BIT 16-CERDIP BPLR	03285	DAC-08HQ
U308	1820-5752	1	IC FF CMOS/HC D-TYPE POS-EDGE-TRIG COM	02910	74HC574D
U309	1820-5752	1	IC FF CMOS/HC D-TYPE POS-EDGE-TRIG COM	02910	74HC574D
U310	1820-5752	1	IC FF CMOS/HC D-TYPE POS-EDGE-TRIG COM	02910	74HC574D
U311	1820-5476	1	IC DRVR CMOS/HCT LINE OCTL	02910	74HCT541D
U312	1826-2261	1	IC TEMP XDCR PRCN SINGLE 8 PIN	03406	LM35DM
U313	1820-5752	1	IC FF CMOS/HC D-TYPE POS-EDGE-TRIG COM	02910	74HC574D
U314	1826-2404	1	D/A 12-BIT 20-PLCC CMOS	03285	AD7542KP
U315	1826-2404	1	D/A 12-BIT 20-PLCC CMOS	03285	AD7542KP
U316	1826-2404	1	D/A 12-BIT 20-PLCC CMOS	03285	AD7542KP
U317	1826-0811	1	ANALOG SWITCH 4 SPST 16 -CERDIP	03285	SW-01FQ
U318	1826-2145	1	ANALOG SWITCH 4 SPST 16 -P-SOIC	02883	DG413DY
U319	1826-1572	1	IC COMPARATOR PRCN DUAL 8 PIN PLSTC-SOIC	02910	LM393D
U320	1826-2628	1	IC OP AMP PRCN SINGLE 8 PIN PLSTC-SOIC	03285	AD548JR

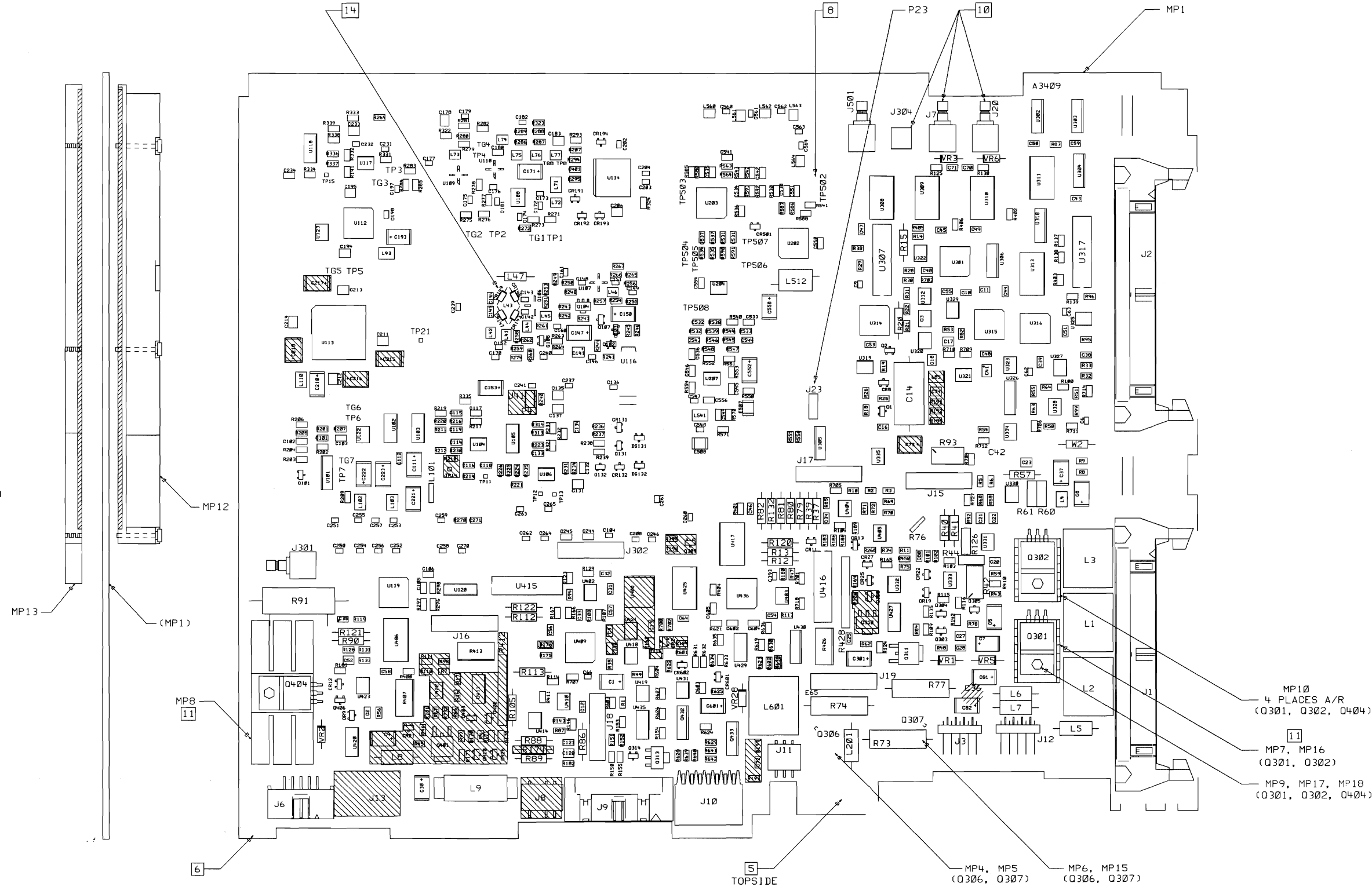
HP Part Number 08563-60135
Frequency Control (continued)

Reference Designator	HP Part Number	Qty	Description	Mfr Code	Mfr Part Number
U321	1826-1402	1	IC PWR MGT-V-REG-FXD-POS 4.8/5.2V 8 PINS	03406	LM78L05ACM
U322	1826-1925	1	IC OP AMP LOW-NOISE SINGLE 8 PIN	03285	OP-27GS
U323	1826-1925	1	IC OP AMP LOW-NOISE SINGLE 8 PIN	03285	OP-27GS
U325	1826-1862	1	IC OP AMP LOW-BIAS-H-IMPED DUAL 8 PIN	04078	TL072CD
U326	1826-1988	1	ANALOG SWITCH 4 SPST 16 -P-SOIC	02883	DG212DY
U327	1826-1925	1	IC OP AMP LOW-NOISE SINGLE 8 PIN	03285	OP-27GS
U328	1826-2403	1	IC OP AMP LP DUAL 8 PIN PLSTC-SOIC	36633	MC33178DR2
U329	1826-1862	1	IC OP AMP LOW-BIAS-H-IMPED DUAL 8 PIN	04078	TL072CD
U330	1826-1925	1	IC OP AMP LOW-NOISE SINGLE 8 PIN	03285	OP-27GS
U331	1826-1925	1	IC OP AMP LOW-NOISE SINGLE 8 PIN	03285	OP-27GS
U332	1826-1925	1	IC OP AMP LOW-NOISE SINGLE 8 PIN	03285	OP-27GS
U333	1826-1862	1	IC OP AMP LOW-BIAS-H-IMPED DUAL 8 PIN	04078	TL072CD
U334	1826-2420	1	IC OP AMP LP DUAL 8 PIN PLSTC-SOIC	03285	AD706JR
U335	1826-2403	1	IC OP AMP LP DUAL 8 PIN PLSTC-SOIC	36633	MC33178DR2
U402	1826-2403	1	IC OP AMP LP DUAL 8 PIN PLSTC-SOIC	36633	MC33178DR2
U403	1826-2403	1	IC OP AMP LP DUAL 8 PIN PLSTC-SOIC	36633	MC33178DR2
U404	1826-2403	1	IC OP AMP LP DUAL 8 PIN PLSTC-SOIC	36633	MC33178DR2
U405	1826-1925	1	IC OP AMP LOW-NOISE SINGLE 8 PIN	03285	OP-27GS
U406	1820-5752	1	IC FF CMOS/HC D-TYPE POS-EDGE-TRIG COM	02910	74HC574D
U409	1826-2405	1	D/A 8-BIT 20-PLCC CMOS	03285	AD7528KP
U410	1826-1862	1	IC OP AMP LOW-BIAS-H-IMPED DUAL 8 PIN	04078	TL072CD
U414	1826-2403	1	IC OP AMP LP DUAL 8 PIN PLSTC-SOIC	36633	MC33178DR2
U415	1826-0811	1	ANALOG SWITCH 4 SPST 16 -CERDIP	03285	SW-01FQ
U416	1826-0811	1	ANALOG SWITCH 4 SPST 16 -CERDIP	03285	SW-01FQ
U417	1820-5752	1	IC FF CMOS/HC D-TYPE POS-EDGE-TRIG COM	02910	74HC574D
U418	1826-1925	1	IC OP AMP LOW-NOISE SINGLE 8 PIN	03285	OP-27GS
U419	1826-1687	1	IC PWR MGT-V-REF-FXD 9.95/10.05V 8 PINS	10858	LT1021DCS8-10
U420	1820-5802	1	IC INV CMOS/HC HEX	01698	SN74HC05D
U423	1826-1925	1	IC OP AMP LOW-NOISE SINGLE 8 PIN	03285	OP-27GS
U425	1820-5752	1	IC FF CMOS/HC D-TYPE POS-EDGE-TRIG COM	02910	74HC574D
U427	1826-1528	1	IC COMPARATOR LP QUAD 14 PIN PLSTC-SOIC	03406	LM339M
U429	1826-1622	1	IC OP AMP LOW-BIAS-H-IMPED QUAD 14 PIN	01698	TL074CD
U430	1826-2145	1	ANALOG SWITCH 4 SPST 16 -P-SOIC	02883	DG413DY
U431	1826-1572	1	IC COMPARATOR PRCN DUAL 8 PIN PLSTC-SOIC	02910	LM393D
U435	1826-1528	1	IC COMPARATOR LP QUAD 14 PIN PLSTC-SOIC	03406	LM339M

*Indicates factory-selected value

**HP Part Number 08563-60135
Frequency Control (continued)**

Reference Designator	HP Part Number	Qty	Description	Mfr Code	Mfr Part Number
U436	1826-1619	1	D/A 8-BIT 20-PLCC CMOS	03285	AD7528JP
VR1	1902-0579	1	DIODE-ZNR 5.1V 5% PD=1W IR=10UA	02688	DZ810725N
VR2	1902-0951	1	DIODE-ZNR 5.1V 5% DO-35 PD=.4W TC=+.035%	36633	SZ30035-9RL
VR3	1902-0962	1	DIODE-ZNR 15V 5% DO-35 PD=.4W TC=+.087%	02688	1N965B
VR5	1902-0554	1	DIODE-ZNR 10V 5% PD=1W IR=10UA	02688	1N4740A
VR6	1902-0962	1	DIODE-ZNR 15V 5% DO-35 PD=.4W TC=+.087%	02688	1N965B
VR28	1902-0952	1	DIODE-ZNR 5.6V 5% DO-35 PD=.4W TC=+.046%	02688	1N752AD035
W2	8159-0005	1	RESISTOR 0 CWM	02499	YZO 1/4



NOTES: UNLESS OTHERWISE SPECIFIED

1. RAW BD=08563-20040
SEE MATERIAL LIST 08563-60135.
2. DIMENSIONS ARE IN INCHES
3. MAXIMUM COMPONENT HEIGHT .400 UNDER SHIELD (MP12)
.470 ELSEWHERE
4. MAXIMUM LEAD TRIM LENGTH .118
5. LABEL INDICATES THE FINAL ASSEMBLY NUMBER.
6. BARCODE LOCATION

7. PART SPACINGS IN SOME AREAS VIOLATE REWORK GUIDELINES. REWORK OF SOME PARTS MAY REQUIRE REMOVAL OF ADJACENT PARTS.
8. TPS02-TP508 ARE TEST POINT HOLE PAIRS. NO PART IS LOADED IN THE PAIR OF HOLES. HOLE PAIRS MUST BE FREE OF SOLDER.
9. SHIELD MATING SURFACES AND MOUNTING HOLES MUST BE FREE OF EXCESSIVE SOLDER.
10. MAXIMUM LEAD TRIM LENGTH .050 INCHES (J7, J20, J304).
11. .425 MAXIMUM HEIGHT ON HEATSINKS MP7, MP8 AND MP16.

12. HATCHED COMPONENTS ARE NOT LOADED FOR THIS ASSEMBLY.
13. MP12 AND MP13 ARE LOADED AT FINAL ASSEMBLY.
14. CR144, CR146, CR148 AND CR150 DIODES ARE MOUNTED ON THE BOTTOM SIDE OF THE PCB DIRECTLY UNDER CR143, CR145, CR147 AND CR149 RESPECTIVELY.

MP10
4 PLACES A/R
(Q301, Q302, Q404)

MP7, MP16
(Q301, Q302)

MP9, MP17, MP18
(Q301, Q302, Q404)

MP4, MP5
(Q306, Q307)

MP6, MP15
(Q306, Q307)

- 15 ASSEMBLY NOTES FOR W3: (SEE SHEET 2)
- A) ADD W3, 26AWG (MOD WIRE APPROXIMATELY 7
 - B) STRIP ONE END OF W3. WRAP AND SOLDER TO PIN 1 OF J11.
 - C) DRESS W3 AS SHOWN ON DRAWING, TO AVOID TEST POINTS.
 - D) CUT OTHER END OF W3 TO LENGTH (APPROX. 1/2") TO LAY FLAT TO BOARD AND REACH PINS 4 AND 5 OF J1.
 - E) STRIP END OF W3 LONG ENOUGH TO SOLDER YO PINS 4 AND 5 AS SHOWN IN DRAWING. INSURING WIRE DOES NOT SHORT TO OTHER PINS.
 - F) TACK W3 TO BOARD AT 1-2" INTERVALS, USING APPROVED ADHESIVE.
 - G) FORM R800 AS SHOWN ON SHEET 2. INSTALL TO J11, SOLDERING ONE LEAD TO J11 AND THE OTHER END TO J11, PIN 3.

TOP SIDE

AGILENT TECHNOLOGIES
RESTRICTED
THIS DOCUMENT CONTAINS CONFIDENTIAL,
PROPRIETARY INFORMATION THAT IS
AGILENT TECHNOLOGIES PROPERTY. DO NOT
DISCLOSE TO OR DUPLICATE FOR OTHERS EXCEPT
AS AUTHORIZED BY AGILENT TECHNOLOGIES.

UNLESS OTHERWISE SPECIFIED,
DIMENSIONS ARE IN INCHES.
TOLERANCES: XX.XXX ±.010
 XX.XX ±.02
THIRD ANGLE
PROJECTION
DO NOT SCALE THIS DRAWING

DRAWN BY	DATE
ENGINEER/CHECKER	DATE
RELEASE TO PROD.	DATE
SUPERSEDES DWG.	

ASSEMBLY, PWB
FREQ CONTROL
TITLE

a1act135 FILENAME	Agilent Technologies
SCALE	NONE
SHEET 1 of 2	08563-60135 PART NUMBER
D-08563-60135-2	

5300		D-08563-60135-2	
SYM	REVISIONS	APPROVED	DATE
A	AS ISSUED PER PCO#5300-11897		



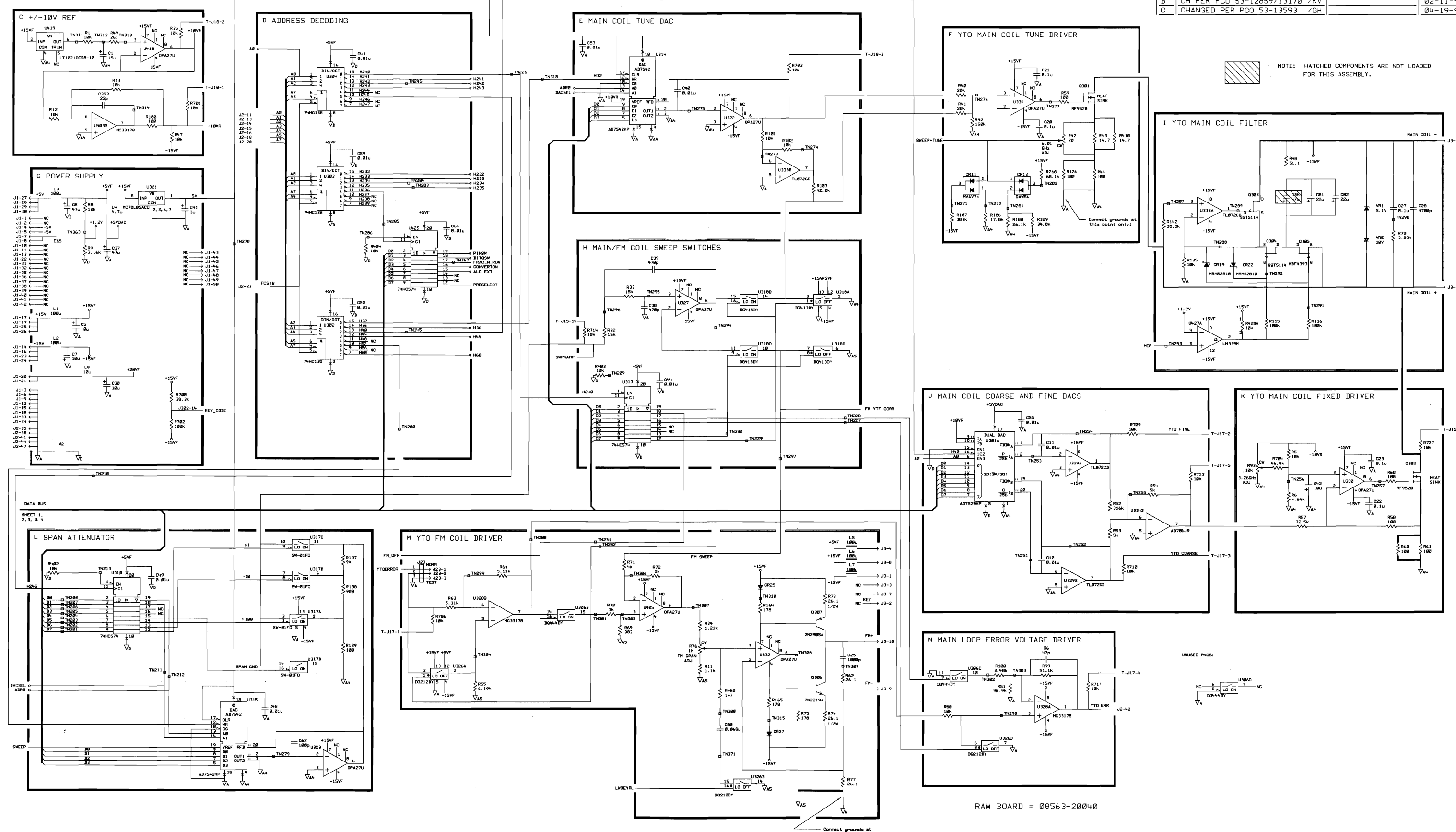
BOTTOM SIDE

AGILENT TECHNOLOGIES
RESTRICTED
THIS DOCUMENT CONTAINS CONFIDENTIAL,
PROPRIETARY INFORMATION THAT IS
AGILENT TECHNOLOGIES PROPERTY. DO NOT
DISCLOSE TO OR DUPLICATE FOR OTHERS EXCEPT
AS AUTHORIZED BY AGILENT TECHNOLOGIES.

Scans by ArtekMedia => 2009

UNLESS OTHERWISE SPECIFIED, DIMENSIONS ARE IN INCHES.	DRAWN BY	DATE	ASSEMBLY, PWB FREQ CONTROL	e6act135 FILENAME	
TOLERANCES: XX.XXX ±.010 XX.XX ±.02	ENGINEER/CHECKER	DATE		SCALE NONE	
THIRD ANGLE PROJECTION	RELEASE TO PROD.	DATE	TITLE	SHEET 2 OF 2	D-08563-60135-2
DO NOT SCALE THIS DRAWING	SUPERSEDES DWG.				

5300	CA 3409	08563-60135-1
SYN	REVISIONS	APPROVED
A	AS ISSUED PER PCO 53-11897	DATE
B	CH PER PCO 53-12859/13170 /KV	03-03-98
C	CHANGED PER PCO 53-13593 /GH	02-11-98
		04-19-99



NOTE: HATCHED COMPONENTS ARE NOT LOADED FOR THIS ASSEMBLY.

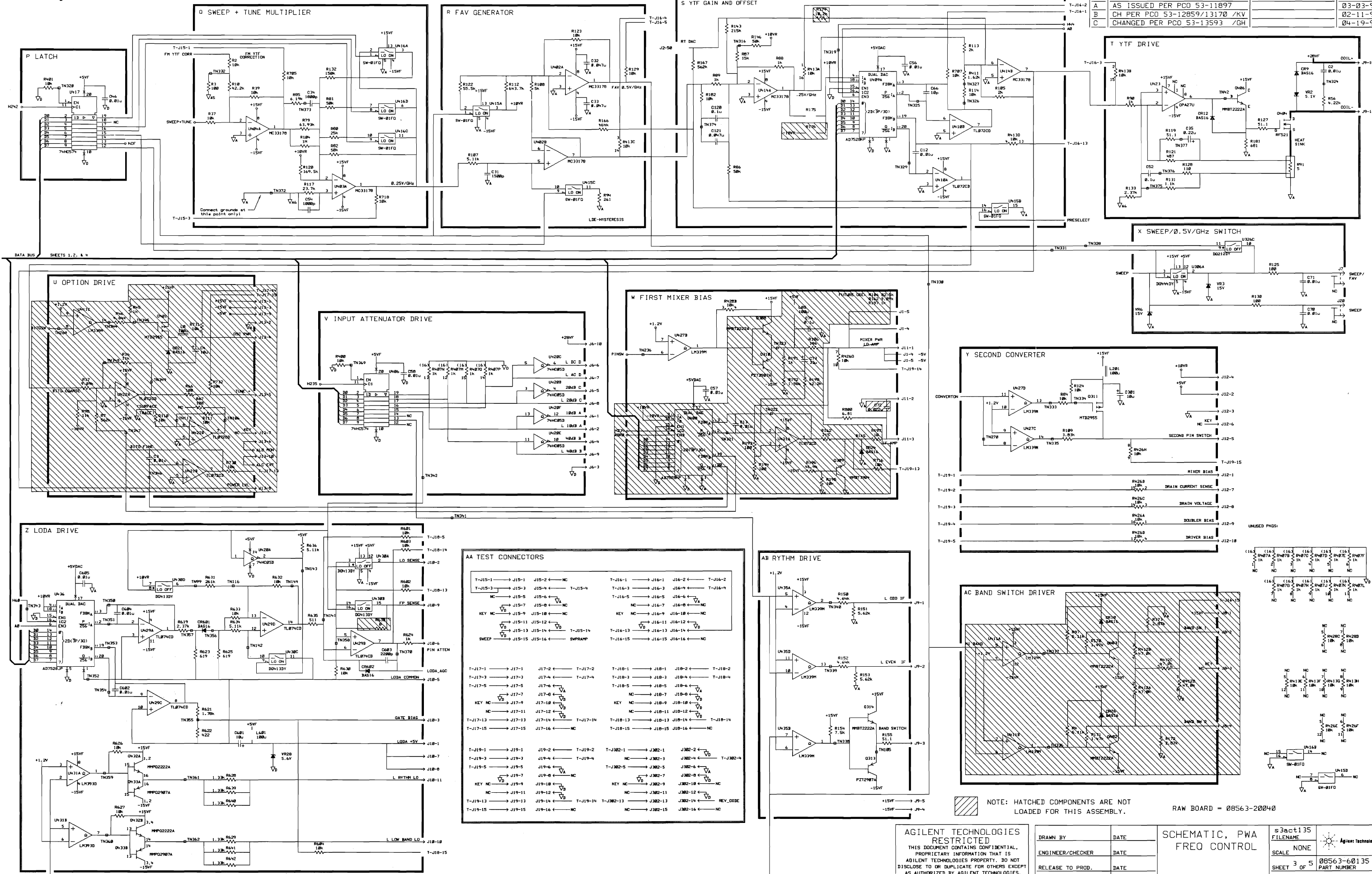
RAW BOARD = 08563-20040

Connect grounds at this point only!

AGILENT TECHNOLOGIES
RESTRICTED
THIS DOCUMENT CONTAINS CONFIDENTIAL, PROPRIETARY INFORMATION THAT IS AGILENT TECHNOLOGIES PROPERTY. DO NOT DISCLOSE TO OR DUPLICATE FOR OTHERS EXCEPT AS AUTHORIZED BY AGILENT TECHNOLOGIES.

DRAWN BY	DATE
ENGINEER/CHECKER	DATE
RELEASE TO PROD.	DATE
SUPERSEDES DWG.	

SHEET	2	OF	5
FILENAME	s2act135		
SCALE	NONE		
PART NUMBER	08563-60135		
TITLE	SCHEMATIC, PWA FREQ CONTROL		



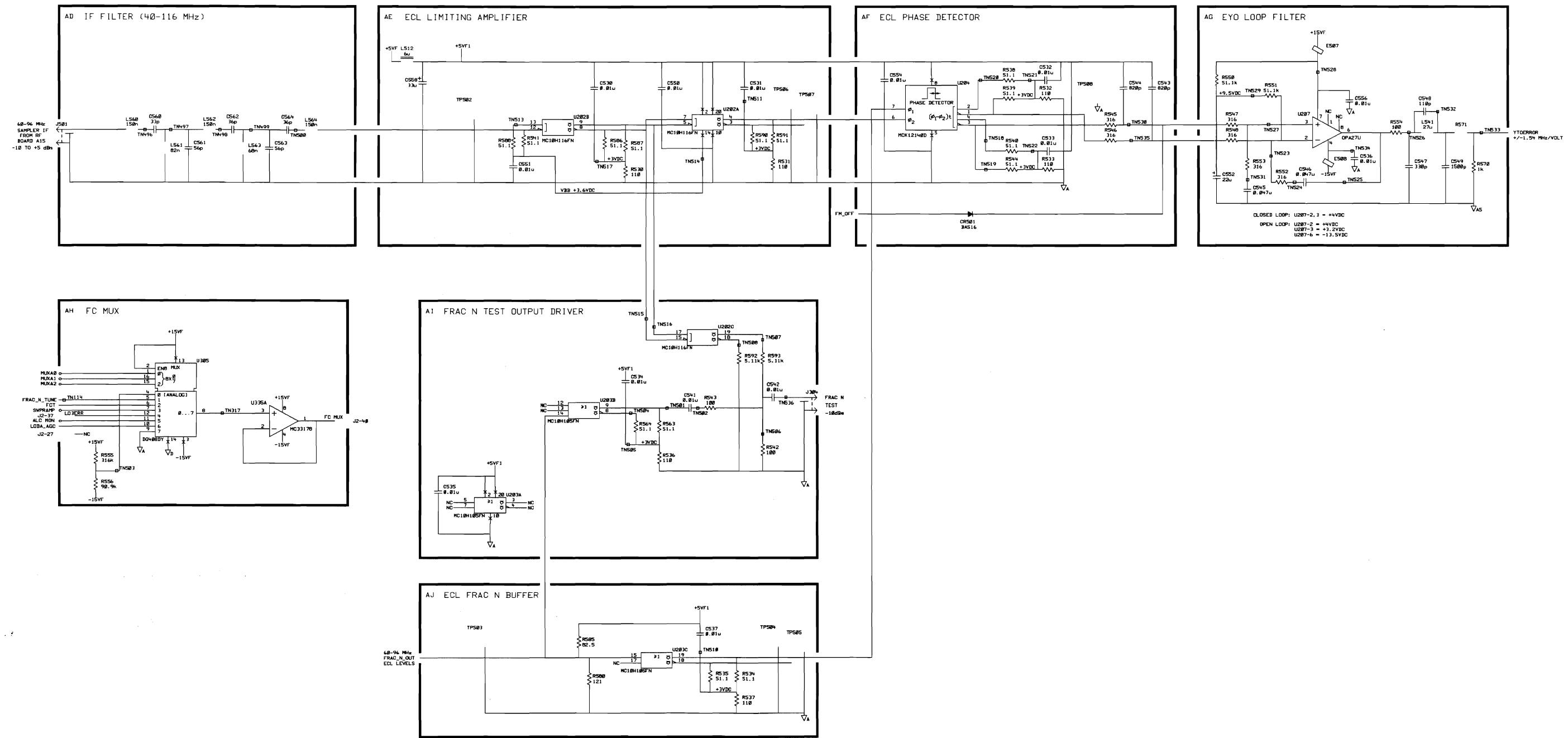
NOTE: HATCHED COMPONENTS ARE NOT LOADED FOR THIS ASSEMBLY. RAW BOARD = 08563-20040

AGILENT TECHNOLOGIES RESTRICTED
 THIS DOCUMENT CONTAINS CONFIDENTIAL, PROPRIETARY INFORMATION THAT IS AGILENT TECHNOLOGIES PROPERTY. DO NOT DISCLOSE TO OR DUPLICATE FOR OTHERS EXCEPT AS AUTHORIZED BY AGILENT TECHNOLOGIES.

DRAWN BY	DATE
ENGINEER/CHECKER	DATE
RELEASE TO PROD.	DATE
SUPERSEDES DNG.	

S3act135	Agilent Technologies
FILENAME	NONE
SCALE	3 OF 5
SHEET	08563-60135
PART NUMBER	08563-60135-1

5300	CA 3409	08563-60135-1	
SYM	REVISIONS	APPROVED	DATE
A	AS ISSUED PER PCO 53-11897		03-03-98
B	CH PER PCO 53-12859/13170 /KV		02-11-98
C	CHANGED PER PCO 53-13593 /GH		04-19-99



RAW BOARD = 08563-20040

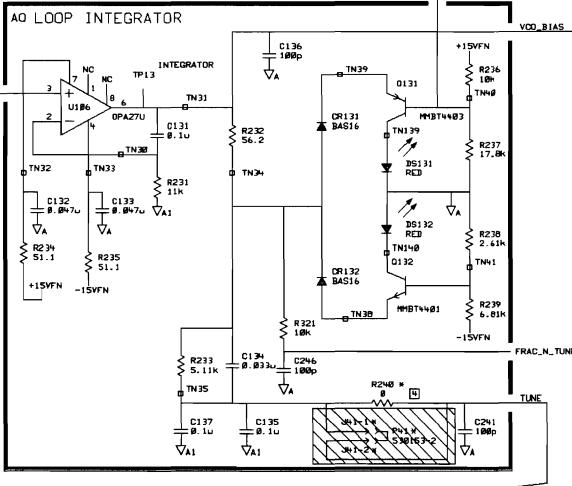
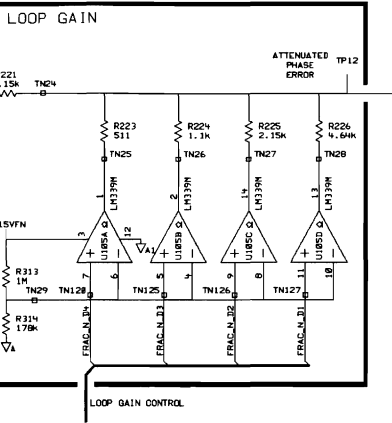
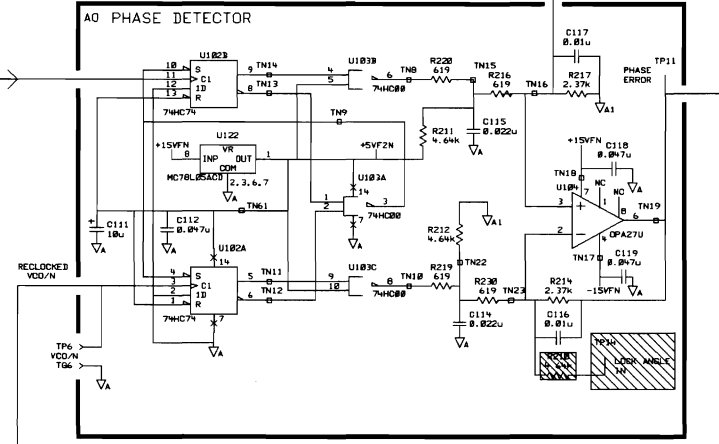
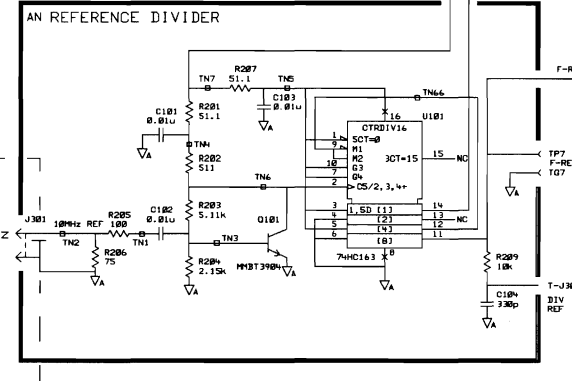
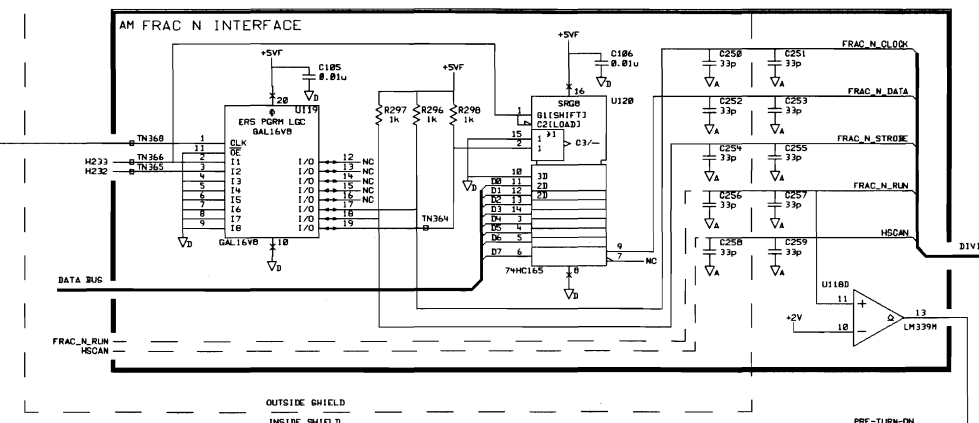
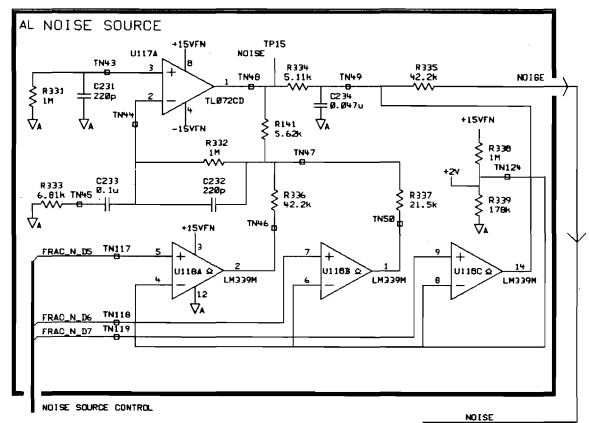
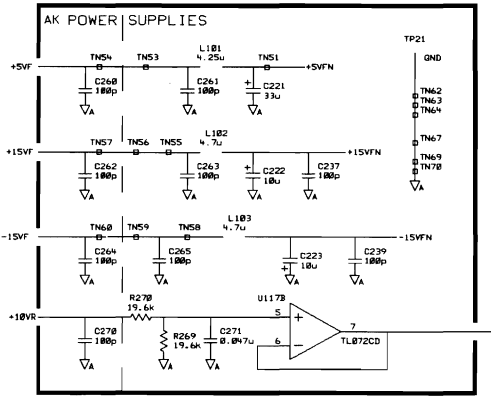
AGILENT TECHNOLOGIES
RESTRICTED
THIS DOCUMENT CONTAINS CONFIDENTIAL,
PROPRIETARY INFORMATION THAT IS
AGILENT TECHNOLOGIES PROPERTY. DO NOT
DISCLOSE TO OR DUPLICATE FOR OTHERS EXCEPT
AS AUTHORIZED BY AGILENT TECHNOLOGIES.

DRAWN BY	DATE
ENGINEER/CHECKER	DATE
RELEASE TO PROD.	DATE
SUPERSEDES DWG.	

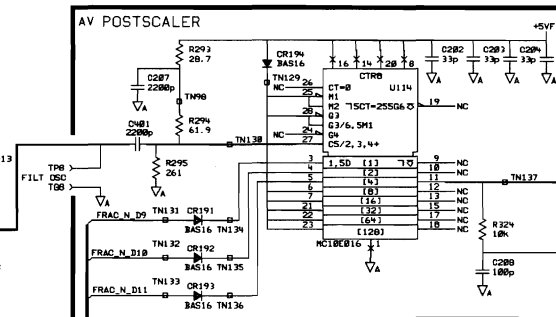
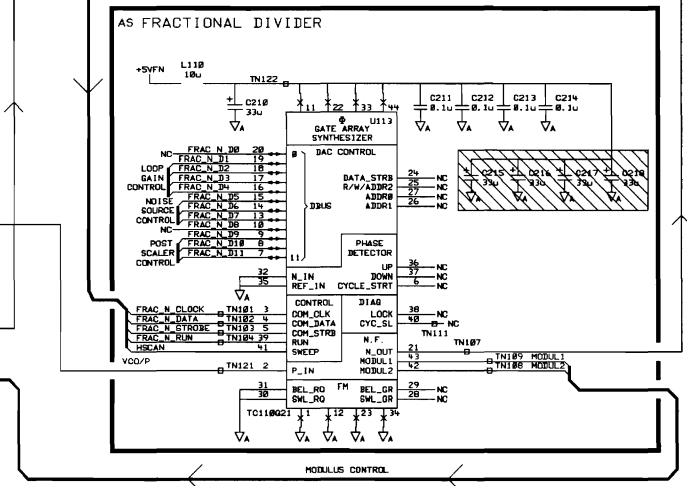
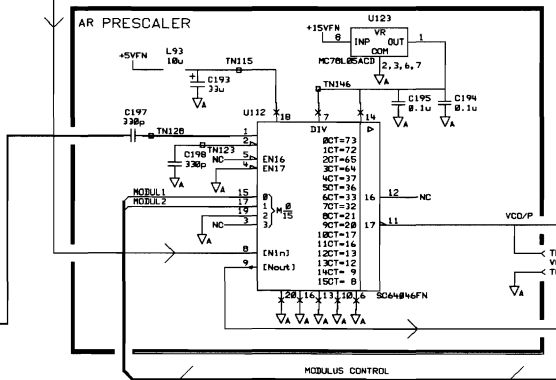
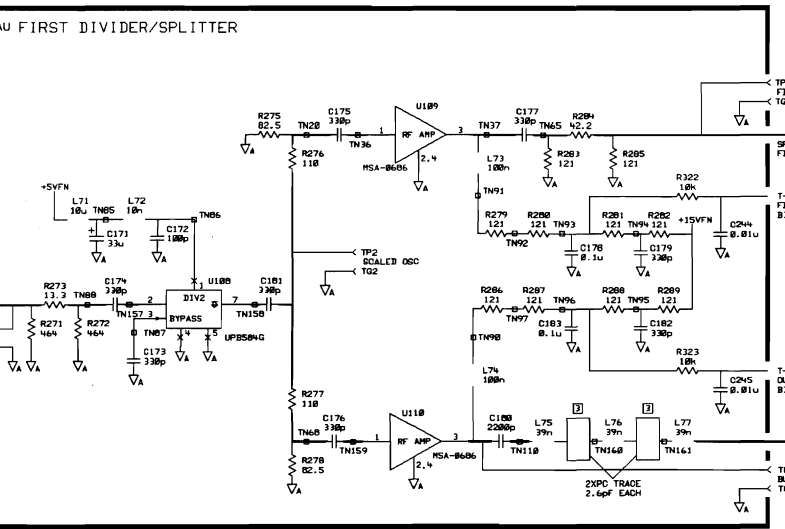
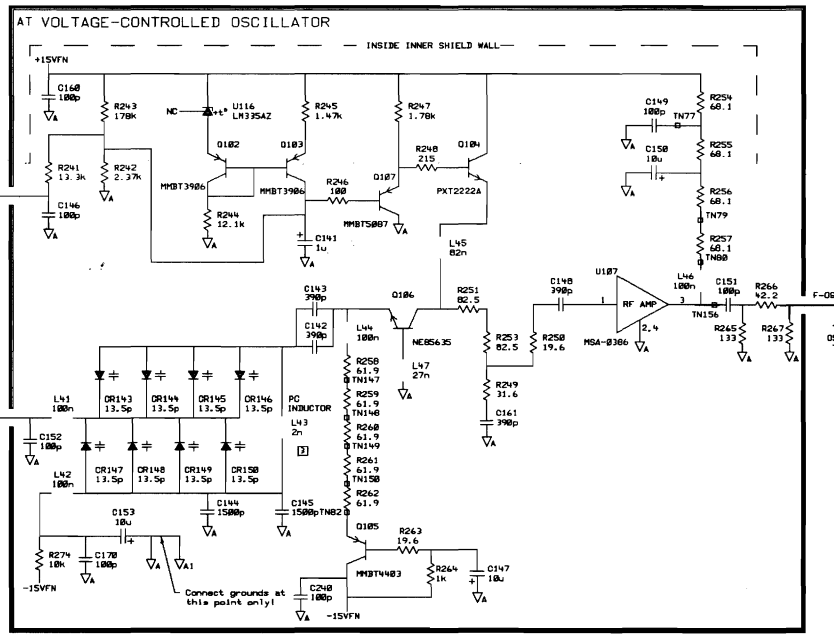
SCHEMATIC, PWA
FREQ CONTROL

s4act135	FILENAME
NONE	SCALE
4 OF 5	SHEET
08563-60135	PART NUMBER
08563-60135-1	

SYM	REVISIONS	APPROVED	DATE
A	AS ISSUED PER PCD 53-11897		03-03-98
B	CH PER PCD 53-12859/13170 /KV		02-11-98
C	CHANGED PER PCD 53-13593 /GH		04-19-99



NOTES:
 1. REFERENCE DESIGNATORS WITHIN THIS ASSEMBLY ARE ABBREVIATED. PREFIX ABBREVIATION WITH ASSEMBLY NUMBER FOR COMPLETE REFERENCE DESIGNATOR.
 2. UNLESS OTHERWISE INDICATED: RESISTANCE IN OHMS (Ω) CAPACITANCE IN FARADS (F) INDUCTANCE IN HENRIES (H)
 □ THESE ARE PCB TRACES
 □ * - FACTORY SELECTED. BOARD MAY BE LOADED WITH ONLY R504, OR BOTH J41 AND P41, OR ALL THREE
 ▨ NOTE: HATCHED COMPONENTS ARE NOT LOADED FOR THIS ASSEMBLY



AGILENT TECHNOLOGIES RESTRICTED
 THIS DOCUMENT CONTAINS CONFIDENTIAL, PROPRIETARY INFORMATION THAT IS AGILENT TECHNOLOGIES PROPERTY. DO NOT DISCLOSE TO OR DUPLICATE FOR OTHERS EXCEPT AS AUTHORIZED BY AGILENT TECHNOLOGIES.

DRAWN BY	DATE	SCHEMATIC, PWA FREQ CONTROL	sSact135 FILENAME
ENGINEER/CHECKER	DATE		
RELEASE TO PROD.	DATE	SCALE NONE	Agilent Technologies
SUPERSEDES DNG.	DATE		
TITLE		SHEET 5 OF 5 08563-60135 PART NUMBER	
		-08563-60135-1	

Component-Level Information Packet for 08564-60029

Frequency Control



**HP Part No. 08564-90033
Printed in USA June 2000**

Notice. The information contained in this document is subject to change without notice.

Hewlett-Packard makes no warranty of any kind with regard to this material, including, but not limited to, the implied warranties of merchantability and fitness for a particular purpose. Hewlett-Packard shall not be liable for errors contained herein or for incidental or consequential damages in connection with the furnishing, performance, or use of this material.

HP Part Number 08564-60029
Frequency Control

Reference Designator	HP Part Number	Qty	Description	Mfr Code	Mfr Part Number
C1	0180-3922	1	CAP-FXD 15uF +-20% 20 V TA	00039	NRD156M20R12
C2	0160-6736	1	CAP-FXD 0.01uF +-10% 50 V CER X7R	02010	12065C103KAT A
C3	0160-6736	1	CAP-FXD 0.01uF +-10% 50 V CER X7R	02010	12065C103KAT A
C5	0180-4287	1	CAP-FXD 10uF +-20% 35 V TA	02010	TAJD106M035
C6	0160-5957	1	CAP-FXD 47pF +-5% 50 V CER C0G	02010	08055A470JAT A
C7	0180-4287	1	CAP-FXD 10uF +-20% 35 V TA	02010	TAJD106M035
C8	0180-4228	1	CAP-FXD 47uF +-20% 10 V TA	02010	TAJD476M010
C9	0160-5967	1	CAP-FXD 100pF +-5% 50 V CER C0G	06352	C2012COG1H101J
C10	0160-6736	1	CAP-FXD 0.01uF +-10% 50 V CER X7R	02010	12065C103KAT A
C11	0160-6736	1	CAP-FXD 0.01uF +-10% 50 V CER X7R	02010	12065C103KAT A
C12	0160-6736	1	CAP-FXD 0.01uF +-10% 50 V CER X7R	02010	12065C103KAT A
C14	0160-3402	1	CAP-FXD 1uF +-5% 50 V POLYC-MET	05176	HEW-249-1UF+/-5%50V
C16	0160-6100	1	CAP-FXD 1000pF +-5% 50 V CER C0G	02010	12065A102JAT A
C17	0160-6222	1	CAP-FXD 0.1uF +-10% 50 V CER X7R	02010	12105C104KAT A
C18	0160-6222	1	CAP-FXD 0.1uF +-10% 50 V CER X7R	02010	12105C104KAT A
C20	0160-6222	1	CAP-FXD 0.1uF +-10% 50 V CER X7R	02010	12105C104KAT A
C21	0160-6222	1	CAP-FXD 0.1uF +-10% 50 V CER X7R	02010	12105C104KAT A
C22	0160-6222	1	CAP-FXD 0.1uF +-10% 50 V CER X7R	02010	12105C104KAT A
C23	0160-6222	1	CAP-FXD 0.1uF +-10% 50 V CER X7R	02010	12105C104KAT A
C25	0160-6100	1	CAP-FXD 1000pF +-5% 50 V CER C0G	02010	12065A102JAT A
C27	0160-6222	1	CAP-FXD 0.1uF +-10% 50 V CER X7R	02010	12105C104KAT A
C28	0160-6735	1	CAP-FXD 4700pF +-10% 50 V CER X7R	02010	12065C472KAT A
C30	0160-6222	1	CAP-FXD 0.1uF +-10% 50 V CER X7R	02010	12105C104KAT A
C31	0160-6102	1	CAP-FXD 1500pF +-5% 50 V CER C0G	02010	12065A152JATRA
C32	0160-6734	1	CAP-FXD 0.047uF +-10% 50 V CER X7R	02010	12065C473KAT A
C33	0160-6734	1	CAP-FXD 0.047uF +-10% 50 V CER X7R	02010	12065C473KAT A
C34	0160-6103	1	CAP-FXD 1800pF +-5% 50 V CER C0G	02010	12065A182JATRA
C35	0180-3749	1	CAP-FXD 0.22uF +-20% 35 V TA	00039	NRA224M35R8
C37	0180-4228	1	CAP-FXD 47uF +-20% 10 V TA	02010	TAJD476M010
C38	0160-6096	1	CAP-FXD 470pF +-5% 50 V CER C0G	02010	12065A471JAT A
C39	0160-6096	1	CAP-FXD 470pF +-5% 50 V CER C0G	02010	12065A471JAT A
C40	0160-6736	1	CAP-FXD 0.01uF +-10% 50 V CER X7R	02010	12065C103KAT A
C41	0180-3751	1	CAP-FXD 1uF +-20% 35 V TA	02010	TAJB105M035
C42	0180-3831	1	CAP-FXD 10uF +-10% 35 V TA	12340	T398G106K035AS
C43	0160-6736	1	CAP-FXD 0.01uF +-10% 50 V CER X7R	02010	12065C103KAT A

**Indicates factory-selected value*

CLIP 08564-90033 1

Scans by ArtekMedia => 2009

HP Part Number 08564-60029
Frequency Control (continued)

Reference Designator	HP Part Number	Qty	Description	Mfr Code	Mfr Part Number
C44	0160-6736	1	CAP-FXD 0.01uF +-10% 50 V CER X7R	02010	12065C103KAT A
C45	0160-6736	1	CAP-FXD 0.01uF +-10% 50 V CER X7R	02010	12065C103KAT A
C46	0160-6736	1	CAP-FXD 0.01uF +-10% 50 V CER X7R	02010	12065C103KAT A
C47	0160-6736	1	CAP-FXD 0.01uF +-10% 50 V CER X7R	02010	12065C103KAT A
C48	0160-6736	1	CAP-FXD 0.01uF +-10% 50 V CER X7R	02010	12065C103KAT A
C49	0160-6736	1	CAP-FXD 0.01uF +-10% 50 V CER X7R	02010	12065C103KAT A
C50	0160-6736	1	CAP-FXD 0.01uF +-10% 50 V CER X7R	02010	12065C103KAT A
C51	0160-6736	1	CAP-FXD 0.01uF +-10% 50 V CER X7R	02010	12065C103KAT A
C52	0160-6222	1	CAP-FXD 0.1uF +-10% 50 V CER X7R	02010	12105C104KAT A
C53	0160-6736	1	CAP-FXD 0.01uF +-10% 50 V CER X7R	02010	12065C103KAT A
C54	0160-6100	1	CAP-FXD 1000pF +-5% 50 V CER C0G	02010	12065A102JAT A
C55	0160-6736	1	CAP-FXD 0.01uF +-10% 50 V CER X7R	02010	12065C103KAT A
C56	0160-6736	1	CAP-FXD 0.01uF +-10% 50 V CER X7R	02010	12065C103KAT A
C58	0160-6736	1	CAP-FXD 0.01uF +-10% 50 V CER X7R	02010	12065C103KAT A
C59	0160-6736	1	CAP-FXD 0.01uF +-10% 50 V CER X7R	02010	12065C103KAT A
C60	0160-6736	1	CAP-FXD 0.01uF +-10% 50 V CER X7R	02010	12065C103KAT A
C62	0160-5967	1	CAP-FXD 100pF +-5% 50 V CER C0G	06352	C2012COG1H101J
C63	0160-5967	1	CAP-FXD 100pF +-5% 50 V CER C0G	06352	C2012COG1H101J
C64	0160-6736	1	CAP-FXD 0.01uF +-10% 50 V CER X7R	02010	12065C103KAT A
C66	0160-5975	1	CAP-FXD 10pF +-5% 50 V CER C0G	02010	08055A100JAT A
C70	0160-6736	1	CAP-FXD 0.01uF +-10% 50 V CER X7R	02010	12065C103KAT A
C71	0160-6736	1	CAP-FXD 0.01uF +-10% 50 V CER X7R	02010	12065C103KAT A
C72	0160-6222	1	CAP-FXD 0.1uF +-10% 50 V CER X7R	02010	12105C104KAT A
C80	0160-7333	1	CAP-FXD 0.068uF +-10% 50 V CER X7R	06352	C3216X7R1H683KT
C81	0180-4116	1	CAP-FXD 22uF +-20% 20 V TA	02010	TAJD226M020
C82	0180-4116	1	CAP-FXD 22uF +-20% 20 V TA	02010	TAJD226M020
C101	0160-6736	1	CAP-FXD 0.01uF +-10% 50 V CER X7R	02010	12065C103KAT A
C102	0160-6736	1	CAP-FXD 0.01uF +-10% 50 V CER X7R	02010	12065C103KAT A
C103	0160-6736	1	CAP-FXD 0.01uF +-10% 50 V CER X7R	02010	12065C103KAT A
C104	0160-5952	1	CAP-FXD 330pF +-5% 50 V CER C0G	02010	08055A331JAT A
C105	0160-6736	1	CAP-FXD 0.01uF +-10% 50 V CER X7R	02010	12065C103KAT A
C106	0160-6736	1	CAP-FXD 0.01uF +-10% 50 V CER X7R	02010	12065C103KAT A
C107	0160-6736	1	CAP-FXD 0.01uF +-10% 50 V CER X7R	02010	12065C103KAT A
C108	0160-6736	1	CAP-FXD 0.01uF +-10% 50 V CER X7R	02010	12065C103KAT A
C109	0160-6736	1	CAP-FXD 0.01uF +-10% 50 V CER X7R	02010	12065C103KAT A

**HP Part Number 08564-60029
Frequency Control (continued)**

Reference Designator	HP Part Number	Qty	Description	Mfr Code	Mfr Part Number
C110	0160-6736	1	CAP-FXD 0.01uF +-10% 50 V CER X7R	02010	12065C103KAT A
C111	0180-4287	1	CAP-FXD 10uF +-20% 35 V TA	02010	TAJD106M035
C112	0160-6734	1	CAP-FXD 0.047uF +-10% 50 V CER X7R	02010	12065C473KAT A
C113	0160-6736	1	CAP-FXD 0.01uF +-10% 50 V CER X7R	02010	12065C103KAT A
C114	0160-6728	1	CAP-FXD 0.022uF +-10% 50 V CER X7R	02010	12065C223KAT A
C115	0160-6728	1	CAP-FXD 0.022uF +-10% 50 V CER X7R	02010	12065C223KAT A
C116	0160-6736	1	CAP-FXD 0.01uF +-10% 50 V CER X7R	02010	12065C103KAT A
C117	0160-6736	1	CAP-FXD 0.01uF +-10% 50 V CER X7R	02010	12065C103KAT A
C118	0160-6734	1	CAP-FXD 0.047uF +-10% 50 V CER X7R	02010	12065C473KAT A
C119	0160-6734	1	CAP-FXD 0.047uF +-10% 50 V CER X7R	02010	12065C473KAT A
C120	0160-6727	1	CAP-FXD 0.033uF +-10% 50 V CER X7R	02010	12065C333KATRA
C121	0160-6670	1	CAP-FXD 3300pF +-5% 50 V CER C0G	02010	12105A332JATRA
C131	0160-6222	1	CAP-FXD 0.1uF +-10% 50 V CER X7R	02010	12105C104KAT A
C132	0160-6734	1	CAP-FXD 0.047uF +-10% 50 V CER X7R	02010	12065C473KAT A
C133	0160-6734	1	CAP-FXD 0.047uF +-10% 50 V CER X7R	02010	12065C473KAT A
C134	0160-6727	1	CAP-FXD 0.033uF +-10% 50 V CER X7R	02010	12065C333KATRA
C135	0160-6222	1	CAP-FXD 0.1uF +-10% 50 V CER X7R	02010	12105C104KAT A
C136	0160-5967	1	CAP-FXD 100pF +-5% 50 V CER C0G	06352	C2012COG1H101J
C137	0160-6222	1	CAP-FXD 0.1uF +-10% 50 V CER X7R	02010	12105C104KAT A
C141	0180-3751	1	CAP-FXD 1uF +-20% 35 V TA	02010	TAJB105M035
C142	0160-5951	1	CAP-FXD 390pF +-5% 50 V CER C0G	02010	08055A391JAT A
C143	0160-5951	1	CAP-FXD 390pF +-5% 50 V CER C0G	02010	08055A391JAT A
C144	0160-6102	1	CAP-FXD 1500pF +-5% 50 V CER C0G	02010	12065A152JATRA
C145	0160-6102	1	CAP-FXD 1500pF +-5% 50 V CER C0G	02010	12065A152JATRA
C146	0160-5967	1	CAP-FXD 100pF +-5% 50 V CER C0G	06352	C2012COG1H101J
C147	0180-4287	1	CAP-FXD 10uF +-20% 35 V TA	02010	TAJD106M035
C148	0160-5951	1	CAP-FXD 390pF +-5% 50 V CER C0G	02010	08055A391JAT A
C149	0160-5967	1	CAP-FXD 100pF +-5% 50 V CER C0G	06352	C2012COG1H101J
C150	0180-4287	1	CAP-FXD 10uF +-20% 35 V TA	02010	TAJD106M035
C151	0160-5967	1	CAP-FXD 100pF +-5% 50 V CER C0G	06352	C2012COG1H101J
C152	0160-5967	1	CAP-FXD 100pF +-5% 50 V CER C0G	06352	C2012COG1H101J
C153	0180-4287	1	CAP-FXD 10uF +-20% 35 V TA	02010	TAJD106M035
C160	0160-5967	1	CAP-FXD 100pF +-5% 50 V CER C0G	06352	C2012COG1H101J
C161	0160-5951	1	CAP-FXD 390pF +-5% 50 V CER C0G	02010	08055A391JAT A
C170	0160-5967	1	CAP-FXD 100pF +-5% 50 V CER C0G	06352	C2012COG1H101J

**Indicates factory-selected value*

CLIP 08564-90033 3

Scans by ArtekMedia => 2009

HP Part Number 08564-60029
Frequency Control (continued)

Reference Designator	HP Part Number	Qty	Description	Mfr Code	Mfr Part Number
C171	0180-3755	1	CAP-FXD 33uF +-20% 10 V TA	02010	TAJD336M010
C172	0160-5967	1	CAP-FXD 100pF +-5% 50 V CER C0G	06352	C2012COG1H101J
C173	0160-5952	1	CAP-FXD 330pF +-5% 50 V CER C0G	02010	08055A331JAT A
C174	0160-5952	1	CAP-FXD 330pF +-5% 50 V CER C0G	02010	08055A331JAT A
C175	0160-5952	1	CAP-FXD 330pF +-5% 50 V CER C0G	02010	08055A331JAT A
C176	0160-5952	1	CAP-FXD 330pF +-5% 50 V CER C0G	02010	08055A331JAT A
C177	0160-5952	1	CAP-FXD 330pF +-5% 50 V CER C0G	02010	08055A331JAT A
C178	0160-6222	1	CAP-FXD 0.1uF +-10% 50 V CER X7R	02010	12105C104KAT A
C179	0160-5952	1	CAP-FXD 330pF +-5% 50 V CER C0G	02010	08055A331JAT A
C180	0160-6104	1	CAP-FXD 2200pF +-5% 50 V CER C0G	02010	12065A222JATRA
C181	0160-5952	1	CAP-FXD 330pF +-5% 50 V CER C0G	02010	08055A331JAT A
C182	0160-5952	1	CAP-FXD 330pF +-5% 50 V CER C0G	02010	08055A331JAT A
C183	0160-6222	1	CAP-FXD 0.1uF +-10% 50 V CER X7R	02010	12105C104KAT A
C193	0180-3755	1	CAP-FXD 33uF +-20% 10 V TA	02010	TAJD336M010
C194	0160-6222	1	CAP-FXD 0.1uF +-10% 50 V CER X7R	02010	12105C104KAT A
C195	0160-6222	1	CAP-FXD 0.1uF +-10% 50 V CER X7R	02010	12105C104KAT A
C197	0160-5952	1	CAP-FXD 330pF +-5% 50 V CER C0G	02010	08055A331JAT A
C198	0160-5952	1	CAP-FXD 330pF +-5% 50 V CER C0G	02010	08055A331JAT A
C202	0160-5959	1	CAP-FXD 33pF +-5% 50 V CER C0G	02010	08055A330JAT A
C203	0160-5959	1	CAP-FXD 33pF +-5% 50 V CER C0G	02010	08055A330JAT A
C204	0160-5959	1	CAP-FXD 33pF +-5% 50 V CER C0G	02010	08055A330JAT A
C206	0160-6222	1	CAP-FXD 0.1uF +-10% 50 V CER X7R	02010	12105C104KAT A
C207	0160-6104	1	CAP-FXD 2200pF +-5% 50 V CER C0G	02010	12065A222JATRA
C208	0160-5967	1	CAP-FXD 100pF +-5% 50 V CER C0G	06352	C2012COG1H101J
C210	0180-3755	1	CAP-FXD 33uF +-20% 10 V TA	02010	TAJD336M010
C211	0160-6222	1	CAP-FXD 0.1uF +-10% 50 V CER X7R	02010	12105C104KAT A
C212	0160-6222	1	CAP-FXD 0.1uF +-10% 50 V CER X7R	02010	12105C104KAT A
C213	0160-6222	1	CAP-FXD 0.1uF +-10% 50 V CER X7R	02010	12105C104KAT A
C214	0160-6222	1	CAP-FXD 0.1uF +-10% 50 V CER X7R	02010	12105C104KAT A
C221	0180-3755	1	CAP-FXD 33uF +-20% 10 V TA	02010	TAJD336M010
C222	0180-4287	1	CAP-FXD 10uF +-20% 35 V TA	02010	TAJD106M035
C223	0180-4287	1	CAP-FXD 10uF +-20% 35 V TA	02010	TAJD106M035
C231	0160-5954	1	CAP-FXD 220pF +-5% 50 V CER C0G	02010	08055A221JAT A
C232	0160-5954	1	CAP-FXD 220pF +-5% 50 V CER C0G	02010	08055A221JAT A
C233	0160-6222	1	CAP-FXD 0.1uF +-10% 50 V CER X7R	02010	12105C104KAT A

**HP Part Number 08564-60029
Frequency Control (continued)**

Reference Designator	HP Part Number	Qty	Description	Mfr Code	Mfr Part Number
C234	0160-6734	1	CAP-FXD 0.047uF +-10% 50 V CER X7R	02010	12065C473KAT A
C237	0160-5967	1	CAP-FXD 100pF +-5% 50 V CER C0G	06352	C2012COG1H101J
C239	0160-5967	1	CAP-FXD 100pF +-5% 50 V CER C0G	06352	C2012COG1H101J
C240	0160-5967	1	CAP-FXD 100pF +-5% 50 V CER C0G	06352	C2012COG1H101J
C241	0160-5967	1	CAP-FXD 100pF +-5% 50 V CER C0G	06352	C2012COG1H101J
C244	0160-6736	1	CAP-FXD 0.01uF +-10% 50 V CER X7R	02010	12065C103KAT A
C245	0160-6736	1	CAP-FXD 0.01uF +-10% 50 V CER X7R	02010	12065C103KAT A
C246	0160-5967	1	CAP-FXD 100pF +-5% 50 V CER C0G	06352	C2012COG1H101J
C250	0160-5959	1	CAP-FXD 33pF +-5% 50 V CER C0G	02010	08055A330JAT A
C251	0160-5959	1	CAP-FXD 33pF +-5% 50 V CER C0G	02010	08055A330JAT A
C252	0160-5959	1	CAP-FXD 33pF +-5% 50 V CER C0G	02010	08055A330JAT A
C253	0160-5959	1	CAP-FXD 33pF +-5% 50 V CER C0G	02010	08055A330JAT A
C254	0160-5959	1	CAP-FXD 33pF +-5% 50 V CER C0G	02010	08055A330JAT A
C255	0160-5959	1	CAP-FXD 33pF +-5% 50 V CER C0G	02010	08055A330JAT A
C256	0160-5959	1	CAP-FXD 33pF +-5% 50 V CER C0G	02010	08055A330JAT A
C257	0160-5959	1	CAP-FXD 33pF +-5% 50 V CER C0G	02010	08055A330JAT A
C258	0160-5959	1	CAP-FXD 33pF +-5% 50 V CER C0G	02010	08055A330JAT A
C259	0160-5959	1	CAP-FXD 33pF +-5% 50 V CER C0G	02010	08055A330JAT A
C260	0160-5967	1	CAP-FXD 100pF +-5% 50 V CER C0G	06352	C2012COG1H101J
C261	0160-5967	1	CAP-FXD 100pF +-5% 50 V CER C0G	06352	C2012COG1H101J
C262	0160-5967	1	CAP-FXD 100pF +-5% 50 V CER C0G	06352	C2012COG1H101J
C263	0160-5967	1	CAP-FXD 100pF +-5% 50 V CER C0G	06352	C2012COG1H101J
C264	0160-5967	1	CAP-FXD 100pF +-5% 50 V CER C0G	06352	C2012COG1H101J
C265	0160-5967	1	CAP-FXD 100pF +-5% 50 V CER C0G	06352	C2012COG1H101J
C270	0160-5967	1	CAP-FXD 100pF +-5% 50 V CER C0G	06352	C2012COG1H101J
C271	0160-6734	1	CAP-FXD 0.047uF +-10% 50 V CER X7R	02010	12065C473KAT A
C301	0180-4287	1	CAP-FXD 10uF +-20% 35 V TA	02010	TAJD106M035
C393	0160-5961	1	CAP-FXD 22pF +-5% 50 V CER C0G	02010	08055A220JAT A
C401	0160-6104	1	CAP-FXD 2200pF +-5% 50 V CER C0G	02010	12065A222JATRA
C530	0160-6736	1	CAP-FXD 0.01uF +-10% 50 V CER X7R	02010	12065C103KAT A
C531	0160-6736	1	CAP-FXD 0.01uF +-10% 50 V CER X7R	02010	12065C103KAT A
C532	0160-6736	1	CAP-FXD 0.01uF +-10% 50 V CER X7R	02010	12065C103KAT A
C533	0160-6736	1	CAP-FXD 0.01uF +-10% 50 V CER X7R	02010	12065C103KAT A
C534	0160-6736	1	CAP-FXD 0.01uF +-10% 50 V CER X7R	02010	12065C103KAT A
C535	0160-6736	1	CAP-FXD 0.01uF +-10% 50 V CER X7R	02010	12065C103KAT A

**Indicates factory-selected value*

CLIP 08564-90033 5

Scans by ArtekMedia => 2009

HP Part Number 08564-60029
Frequency Control (continued)

Reference Designator	HP Part Number	Qty	Description	Mfr Code	Mfr Part Number
C536	0160-6736	1	CAP-FXD 0.01uF +-10% 50 V CER X7R	02010	12065C103KAT A
C537	0160-6736	1	CAP-FXD 0.01uF +-10% 50 V CER X7R	02010	12065C103KAT A
C541	0160-6736	1	CAP-FXD 0.01uF +-10% 50 V CER X7R	02010	12065C103KAT A
C542	0160-6736	1	CAP-FXD 0.01uF +-10% 50 V CER X7R	02010	12065C103KAT A
C543	0160-6099	1	CAP-FXD 820pF +-5% 50 V CER C0G	02010	12065A821JAT A
C544	0160-6099	1	CAP-FXD 820pF +-5% 50 V CER C0G	02010	12065A821JAT A
C545	0160-6734	1	CAP-FXD 0.047uF +-10% 50 V CER X7R	02010	12065C473KAT A
C546	0160-6734	1	CAP-FXD 0.047uF +-10% 50 V CER X7R	02010	12065C473KAT A
C547	0160-5952	1	CAP-FXD 330pF +-5% 50 V CER C0G	02010	08055A331JAT A
C548	0160-7384	1	CAP-FXD 110pF +-5% 50 V CER C0G	06352	C2012C0G1H111JT
C549	0160-6102	1	CAP-FXD 1500pF +-5% 50 V CER C0G	02010	12065A152JATRA
C550	0160-6736	1	CAP-FXD 0.01uF +-10% 50 V CER X7R	02010	12065C103KAT A
C551	0160-6736	1	CAP-FXD 0.01uF +-10% 50 V CER X7R	02010	12065C103KAT A
C552	0180-4116	1	CAP-FXD 22uF +-20% 20 V TA	02010	TAJD226M020
C554	0160-6736	1	CAP-FXD 0.01uF +-10% 50 V CER X7R	02010	12065C103KAT A
C556	0160-6736	1	CAP-FXD 0.01uF +-10% 50 V CER X7R	02010	12065C103KAT A
C558	0180-3755	1	CAP-FXD 33uF +-20% 10 V TA	02010	TAJD336M010
C560	0160-5959	1	CAP-FXD 33pF +-5% 50 V CER C0G	02010	08055A330JAT A
C561	0160-5956	1	CAP-FXD 56pF +-5% 50 V CER C0G	02010	08055A560JAT A
C562	0160-7381	1	CAP-FXD 36pF +-5% 50 V CER C0G	06352	C2012C0G1H360JT
C563	0160-5956	1	CAP-FXD 56pF +-5% 50 V CER C0G	02010	08055A560JAT A
C564	0160-7381	1	CAP-FXD 36pF +-5% 50 V CER C0G	06352	C2012C0G1H360JT
C606	0160-6104	1	CAP-FXD 2200pF +-5% 50 V CER C0G	02010	12065A222JATRA
C607	0160-6104	1	CAP-FXD 2200pF +-5% 50 V CER C0G	02010	12065A222JATRA
C608	0160-6104	1	CAP-FXD 2200pF +-5% 50 V CER C0G	02010	12065A222JATRA
C609	0160-6736	1	CAP-FXD 0.01uF +-10% 50 V CER X7R	02010	12065C103KAT A
C610	0180-4287	1	CAP-FXD 10uF +-20% 35 V TA	02010	TAJD106M035
C611	0180-4287	1	CAP-FXD 10uF +-20% 35 V TA	02010	TAJD106M035
C612	0180-4287	1	CAP-FXD 10uF +-20% 35 V TA	02010	TAJD106M035
C613	0160-6222	1	CAP-FXD 0.1uF +-10% 50 V CER X7R	02010	12105C104KAT A
C614	0160-6222	1	CAP-FXD 0.1uF +-10% 50 V CER X7R	02010	12105C104KAT A
C615	0160-6734	1	CAP-FXD 0.047uF +-10% 50 V CER X7R	02010	12065C473KAT A
C617	0160-6736	1	CAP-FXD 0.01uF +-10% 50 V CER X7R	02010	12065C103KAT A
C618	0160-6736	1	CAP-FXD 0.01uF +-10% 50 V CER X7R	02010	12065C103KAT A
C619	0160-6222	1	CAP-FXD 0.1uF +-10% 50 V CER X7R	02010	12105C104KAT A

**HP Part Number 08564-60029
Frequency Control (continued)**

Reference Designator	HP Part Number	Qty	Description	Mfr Code	Mfr Part Number
CR5	1901-1227	1	DIODE-SWITCHING 75V 200MA 6NS TO-236	02910	BAS16
CR9	1901-1227	1	DIODE-SWITCHING 75V 200MA 6NS TO-236	02910	BAS16
CR10	1901-1227	1	DIODE-SWITCHING 75V 200MA 6NS TO-236	02910	BAS16
CR11	1906-0335	1	DIODE-DUAL 50V 200MA TO-236AA	02910	BAV74
CR12	1901-1227	1	DIODE-SWITCHING 75V 200MA 6NS TO-236	02910	BAS16
CR13	1906-0290	1	DIODE-DUAL 70V 200MA TO-236AB (SOT-23)	00746	BAW56
CR19	1900-0074	1	DIODE-SCHOTTKY SM SIG	01542	1900-0074
CR22	1900-0074	1	DIODE-SCHOTTKY SM SIG	01542	1900-0074
CR25	1901-1227	1	DIODE-SWITCHING 75V 200MA 6NS TO-236	02910	BAS16
CR27	1901-1227	1	DIODE-SWITCHING 75V 200MA 6NS TO-236	02910	BAS16
CR131	1901-1227	1	DIODE-SWITCHING 75V 200MA 6NS TO-236	02910	BAS16
CR132	1901-1227	1	DIODE-SWITCHING 75V 200MA 6NS TO-236	02910	BAS16
CR143	5087-8050	1	D VVC13.5PF	28480	5087-8050
CR144	5087-8050	1	D VVC13.5PF	28480	5087-8050
CR145	5087-8050	1	D VVC13.5PF	28480	5087-8050
CR146	5087-8050	1	D VVC13.5PF	28480	5087-8050
CR147	5087-8050	1	D VVC13.5PF	28480	5087-8050
CR148	5087-8050	1	D VVC13.5PF	28480	5087-8050
CR149	5087-8050	1	D VVC13.5PF	28480	5087-8050
CR150	5087-8050	1	D VVC13.5PF	28480	5087-8050
CR191	1901-1227	1	DIODE-SWITCHING 75V 200MA 6NS TO-236	02910	BAS16
CR192	1901-1227	1	DIODE-SWITCHING 75V 200MA 6NS TO-236	02910	BAS16
CR193	1901-1227	1	DIODE-SWITCHING 75V 200MA 6NS TO-236	02910	BAS16
CR194	1901-1227	1	DIODE-SWITCHING 75V 200MA 6NS TO-236	02910	BAS16
CR401	1901-1227	1	DIODE-SWITCHING 75V 200MA 6NS TO-236	02910	BAS16
CR501	1901-1227	1	DIODE-SWITCHING 75V 200MA 6NS TO-236	02910	BAS16
CR604	1901-1227	1	DIODE-SWITCHING 75V 200MA 6NS TO-236	02910	BAS16
CR606	1901-1227	1	DIODE-SWITCHING 75V 200MA 6NS TO-236	02910	BAS16
CR608	1901-1227	1	DIODE-SWITCHING 75V 200MA 6NS TO-236	02910	BAS16
CR609	1901-1227	1	DIODE-SWITCHING 75V 200MA 6NS TO-236	02910	BAS16
CR610	1901-1227	1	DIODE-SWITCHING 75V 200MA 6NS TO-236	02910	BAS16
CR611	1901-1227	1	DIODE-SWITCHING 75V 200MA 6NS TO-236	02910	BAS16
DS131	1990-1267	1	LED-LAMP LUM-INT=400UCD IF=12.5MA-MAX	36393	LS S260-DO
DS132	1990-1267	1	LED-LAMP LUM-INT=400UCD IF=12.5MA-MAX	36393	LS S260-DO
E507	9170-1418	1	CORE-SHIELDING BEAD	06352	HF30ACB-453215

**Indicates factory-selected value*

CLIP 08564-90033 7

Scans by ArtekMedia => 2009

HP Part Number 08564-60029
Frequency Control (continued)

Reference Designator	HP Part Number	Qty	Description	Mfr Code	Mfr Part Number
E508	9170-1418	1	CORE-SHIELDING BEAD	06352	HF30ACB-453215
J1	1252-1064	1	CONN-POST TYPE .100-PIN-SPCG-MTG-END	01380	1-746878-0
J2	1252-1064	1	CONN-POST TYPE .100-PIN-SPCG-MTG-END	01380	1-746878-0
J3	1252-2007	1	CONN-POST TYPE .100-PIN-SPCG-MTG-END	13369	68451-125
J6	1252-2221	1	CONN-POST TYPE .100-PIN-SPCG-MTG-END	13369	88874-110
J7	1250-0543	1	CONNECTOR-RF SMB MALE PC-W-STDFS 50-OHM	07247	59S213-40TD3
J9	1251-8473	1	CONN-POST TYPE .100-PIN-SPCG-MTG-END	04726	2520-5002UB
J10	1252-2403	1	CONN-POST TYPE .100-PIN-SPCG-MTG-END	04726	2524-5002UB
J11	1252-0523	1	CONN-POST TYPE .100-PIN-SPCG-MTG-END	01380	641216-3
J12	1252-2008	1	CONN-POST TYPE .100-PIN-SPCG-MTG-END	13369	68451-124
J15	1252-1200	1	CONN-POST TYPE .100-PIN-SPCG-MTG-END	13369	68449-079
J16	1252-1200	1	CONN-POST TYPE .100-PIN-SPCG-MTG-END	13369	68449-079
J17	1252-1200	1	CONN-POST TYPE .100-PIN-SPCG-MTG-END	13369	68449-079
J18	1252-1200	1	CONN-POST TYPE .100-PIN-SPCG-MTG-END	13369	68449-079
J19	1252-1200	1	CONN-POST TYPE .100-PIN-SPCG-MTG-END	13369	68449-079
J20	1250-0543	1	CONNECTOR-RF SMB MALE PC-W-STDFS 50-OHM	07247	59S213-40TD3
J23	1251-5033	1	CONN-POST TYPE .100-PIN-SPCG-MTG-END	01380	103239-3
J301	1250-0543	1	CONNECTOR-RF SMB MALE PC-W-STDFS 50-OHM	07247	59S213-40TD3
J302	1252-1200	1	CONN-POST TYPE .100-PIN-SPCG-MTG-END	13369	68449-079
J304	1250-0257	1	CONNECTOR-RF SMB MALE PC-W-STDFS 50-OHM	01380	413990-3
J501	1250-0543	1	CONNECTOR-RF SMB MALE PC-W-STDFS 50-OHM	07247	59S213-40TD3
L1	9140-0738	1	INDUCTOR 100uH .6W-INX.7LG-IN	01869	52405
L2	9140-0738	1	INDUCTOR 100uH .6W-INX.7LG-IN	01869	52405
L3	9140-0738	1	INDUCTOR 100uH .6W-INX.7LG-IN	01869	52405
L4	9140-1109	1	INDUCTOR 4.7uH +-5% 3.4W-mmX4.8LG-mm	06352	NL453232-4R7J
L5	9140-0210	1	INDUCTOR RF-CH-MLD 100uH +-5%	05524	IM-4 100UH 5%
L6	9140-0210	1	INDUCTOR RF-CH-MLD 100uH +-5%	05524	IM-4 100UH 5%
L7	9140-0210	1	INDUCTOR RF-CH-MLD 100uH +-5%	05524	IM-4 100UH 5%
L9	9140-0251	1	INDUCTOR 10uH +-15% .31D-INX1LG-IN	05524	IH-4 10UH+-15%
L41	9140-1206	1	INDUCTOR 100nH +-5% 2.8W-mmX3.4LG-mm	06352	NL322522T-R10J
L42	9140-1206	1	INDUCTOR 100nH +-5% 2.8W-mmX3.4LG-mm	06352	NL322522T-R10J
L44	9140-1206	1	INDUCTOR 100nH +-5% 2.8W-mmX3.4LG-mm	06352	NL322522T-R10J
L45	9140-1205	1	INDUCTOR 82nH +-5% 2.8W-mmX3.4LG-mm Q=27	09891	KL32TE082J
L46	9140-1206	1	INDUCTOR 100nH +-5% 2.8W-mmX3.4LG-mm	06352	NL322522T-R10J
L47	9135-0080	1	INDUCTOR 27nH +-5.556% 2.6D-mmX6.6LG-mm	03273	10M271X-1

**HP Part Number 08564-60029
Frequency Control (continued)**

Reference Designator	HP Part Number	Qty	Description	Mfr Code	Mfr Part Number
L71	9140-1113	1	INDUCTOR 10uH +-5% 3.4W-mmX4.8LG-mm Q=50	06352	NL453232-100J-3
L72	9140-1194	1	INDUCTOR 10nH +-10% 2.8W-mmX3.4LG-mm	09891	KL32TE010K
L73	9140-1206	1	INDUCTOR 100nH +-5% 2.8W-mmX3.4LG-mm	06352	NL322522T-R10J
L74	9140-1206	1	INDUCTOR 100nH +-5% 2.8W-mmX3.4LG-mm	06352	NL322522T-R10J
L75	9140-1201	1	INDUCTOR 39nH +-5% 2.8W-mmX3.4LG-mm Q=25	06352	NL322522T-039J
L76	9140-1201	1	INDUCTOR 39nH +-5% 2.8W-mmX3.4LG-mm Q=25	06352	NL322522T-039J
L77	9140-1201	1	INDUCTOR 39nH +-5% 2.8W-mmX3.4LG-mm Q=25	06352	NL322522T-039J
L93	9140-1113	1	INDUCTOR 10uH +-5% 3.4W-mmX4.8LG-mm Q=50	06352	NL453232-100J-3
L101	9100-3922	1	INDUCTOR-FIXED Z > 1200 OHMS 120 TO 650	03273	51-088
L102	9140-1109	1	INDUCTOR 4.7uH +-5% 3.4W-mmX4.8LG-mm	06352	NL453232-4R7J
L103	9140-1109	1	INDUCTOR 4.7uH +-5% 3.4W-mmX4.8LG-mm	06352	NL453232-4R7J
L110	9140-1113	1	INDUCTOR 10uH +-5% 3.4W-mmX4.8LG-mm Q=50	06352	NL453232-100J-3
L201	9140-0210	1	INDUCTOR RF-CH-MLD 100uH +-5%	05524	IM-4 100UH 5%
L512	9100-1788	1	CORE-FERRITE CHOKE-WIDEBAND;IMP:>680	11212	LB2/2.5ZB
L541	9140-1421	1	INDUCTOR 27uH +-5% 3.4W-mmX4.8LG-mm Q=50	06352	NL453232-270J-3
L560	9140-1098	1	INDUCTOR 150nH +-5% 2.8W-mmX3.4LG-mm	09891	KL32TER15J
L561	9140-1205	1	INDUCTOR 82nH +-5% 2.8W-mmX3.4LG-mm Q=27	09891	KL32TE082J
L562	9140-1098	1	INDUCTOR 150nH +-5% 2.8W-mmX3.4LG-mm	09891	KL32TER15J
L563	9140-1204	1	INDUCTOR 68nH +-5% 2.8W-mmX3.4LG-mm Q=27	09891	KL32TE068J
L564	9140-1098	1	INDUCTOR 150nH +-5% 2.8W-mmX3.4LG-mm	09891	KL32TER15J
L602	9140-0738	1	INDUCTOR 100uH .6W-INX.7LG-IN	01869	52405
L603	9140-0738	1	INDUCTOR 100uH .6W-INX.7LG-IN	01869	52405
L604	9140-0738	1	INDUCTOR 100uH .6W-INX.7LG-IN	01869	52405
L605	9140-1121	1	INDUCTOR 100uH +-5% 3.4W-mmX4.8LG-mm	06352	NL453232-101J-3
MP4	1200-0173	1	INSULATOR-XSTR DAP-GL	14283	A-10001 DAP
MP5	1200-0173	1	INSULATOR-XSTR DAP-GL	14283	A-10001 DAP
MP6	1205-0011	1	HEAT SINK TO-5/TO-39-CS	05792	TXBF-032-025B
MP7	1205-0011	1	HEAT SINK TO-5/TO-39-CS	05792	TXBF-032-025B
MP8	1205-1181	1	HEAT SINK SGL TO-220-CS	07179	577002B00500
MP9	1205-1181	1	HEAT SINK SGL TO-220-CS	07179	577002B00500
MP10	3030-0133	1	SCREW-SKT HD CAP 6-32 .25-IN-LG SST	04204	3030-0133
MP11	3030-0133	1	SCREW-SKT HD CAP 6-32 .25-IN-LG SST	04204	3030-0133
MP12	5063-0209	1	SHIELD AY-FC TOP	28480	5063-0209
MP13	5063-0210	1	SHIELD AY-FC BOT	28480	5063-0210
MP14	5002-4029	1	HEAT SINK	09507	5002-4029

**Indicates factory-selected value*

CLIP 08564-90033 9

Scans by ArtekMedia => 2009

HP Part Number 08564-60029
Frequency Control (continued)

Reference Designator	HP Part Number	Qty	Description	Mfr Code	Mfr Part Number
MP15	0515-0430	1	SCREW-MACHINE ASSEMBLY M3 X 0.5 6MM-LG	07606	0515-0430
P23	1258-0141	1	JUMPER-REMOVABLE FOR 0.025 IN SQ PINS	01380	530153-2
Q1	1853-0580	1	TRANSISTOR PNP SI SOT-23 (TO-236AB)	12125	KST4403
Q2	1854-1188	1	TRANSISTOR NPN SI SOT-23 (TO-236AB)	12125	KST4401
Q3	1854-1251	1	TRANSISTOR-DUAL NPN	03285	SSM-2210S
Q101	1854-1037	1	TRANSISTOR NPN SI TO-236AA PD=350MW	00746	SST3904T116
Q102	1853-0567	1	TRANSISTOR PNP SI SOT-23 (TO-236AB)	12125	KST3906
Q103	1853-0567	1	TRANSISTOR PNP SI SOT-23 (TO-236AB)	12125	KST3906
Q104	1854-1094	1	TRANSISTOR NPN SI SOT-89 (TO-243AB)	02910	PXT2222A
Q105	1853-0580	1	TRANSISTOR PNP SI SOT-23 (TO-236AB)	12125	KST4403
Q106	1854-1304	1	TRANSISTOR NPN SI CHIP PD=580MW	03074	NE85635
Q107	1853-0568	1	TRANSISTOR PNP SI TO-236AA PD=350MW	36633	MMBT5087LT1
Q131	1853-0580	1	TRANSISTOR PNP SI SOT-23 (TO-236AB)	12125	KST4403
Q132	1854-1188	1	TRANSISTOR NPN SI SOT-23 (TO-236AB)	12125	KST4401
Q301	1855-0509	1	TRANSISTOR MOSFET P-CHAN E-MODE TO-220	37338	IRF9520
Q302	1855-0509	1	TRANSISTOR MOSFET P-CHAN E-MODE TO-220	37338	IRF9520
Q303	1855-0856	1	TRANSISTOR J-FET P-CHAN SOT-23	02883	SST174
Q304	1855-0856	1	TRANSISTOR J-FET P-CHAN SOT-23	02883	SST174
Q305	1855-0715	1	TRANSISTOR J-FET N-CHAN D-MODE SOT-23	02910	PMBF4393
Q306	1854-0637	1	TRANSISTOR NPN 2N2219A SI TO-5 PD=800MW	11699	2N2219A
Q307	1853-0314	1	TRANSISTOR PNP 2N2905A SI TO-39 PD=400MW	11699	2N2905A
Q311	1855-0801	1	TRANSISTOR MOSFET P-CHAN E-MODE TO-252AA	36633	MTD2955V
Q313	1853-0724	1	TRANSISTOR PNP SI TO-261AA (SOT-223)	02910	PZT2907A
Q314	1854-1053	1	TRANSISTOR NPN SI SOT-23 (TO-236AB)	12125	KST2222A
Q315	1855-0734	1	TRANSISTOR MOSFET 2N7002 N-CHAN E-MODE	02883	2N7002
Q404	1855-0581	1	TRANSISTOR MOSFET N-CHAN E-MODE TO-220AB	03038	IRF520N
Q406	1854-1053	1	TRANSISTOR NPN SI SOT-23 (TO-236AB)	12125	KST2222A
Q407	1855-0801	1	TRANSISTOR MOSFET P-CHAN E-MODE TO-252AA	36633	MTD2955V
Q408	1855-0801	1	TRANSISTOR MOSFET P-CHAN E-MODE TO-252AA	36633	MTD2955V
Q409	1854-1053	1	TRANSISTOR NPN SI SOT-23 (TO-236AB)	12125	KST2222A
Q601	1858-0112	1	TRANSISTOR ARRAY 16-PIN PLSTC SURFACE	02237	MMPQ2222A
Q602	1858-0113	1	TRANSISTOR ARRAY 16-PIN PLSTC SURFACE	02237	MMPQ2907A
Q603	1855-0801	1	TRANSISTOR MOSFET P-CHAN E-MODE TO-252AA	36633	MTD2955V
R1	0699-1391	1	RESISTOR 10K +-1% .125W TKF TC=0+-100	05524	CRCW12061002F
R2	0699-1391	1	RESISTOR 10K +-1% .125W TKF TC=0+-100	05524	CRCW12061002F

**HP Part Number 08564-60029
Frequency Control (continued)**

Reference Designator	HP Part Number	Qty	Description	Mfr Code	Mfr Part Number
R3	0699-1415	1	RESISTOR 100 +-1% .125W TKF TC=0+-100	05524	CRCW12061000F
R5	0699-2489	1	RESISTOR 10K +-0.1% .125W TF TC=0+-25	01172	BLU-1206 10K .1% 25PPM
R6	0699-2967	1	RESISTOR 4.64K +-0.1% .125W TF TC=0+-25	02499	W1206R034641B
R8	0699-1391	1	RESISTOR 10K +-1% .125W TKF TC=0+-100	05524	CRCW12061002F
R9	0699-1380	1	RESISTOR 3.16K +-1% .125W TKF TC=0+-100	05524	CRCW12063161F
R10	0699-1406	1	RESISTOR 42.2K +-1% .125W TKF TC=0+-100	00746	MCR18-F-4222
R11	0699-1369	1	RESISTOR 1.1K +-1% .125W TKF TC=0+-100	05524	CRCW12061101F
R12	0699-0642	1	RESISTOR 10K +-0.1% .1W TF TC=0+-5	05524	PTF-5610K0BT-16
R13	0699-0642	1	RESISTOR 10K +-0.1% .1W TF TC=0+-5	05524	PTF-5610K0BT-16
R14	0699-1438	1	RESISTOR 909 +-1% .125W TKF TC=0+-100	05524	CRCW12069090F
R15	0698-6630	1	RESISTOR 20K +-0.1% .125W TF TC=0+-25	05524	CMF-552002BT-9
R16	0699-2108	1	RESISTOR 50K +-0.1% .125W TF TC=0+-5	33830	UXBA50K000B
R18	0699-1391	1	RESISTOR 10K +-1% .125W TKF TC=0+-100	05524	CRCW12061002F
R19	0699-1391	1	RESISTOR 10K +-1% .125W TKF TC=0+-100	05524	CRCW12061002F
R20	0698-6317	1	RESISTOR 500 +-0.1% .125W TF TC=0+-25	05524	CMF-555000BT-9
R21	0699-1407	1	RESISTOR 46.4K +-1% .125W TKF TC=0+-100	05524	CRCW12064642F
R22	0699-1443	1	RESISTOR 147K +-1% .125W TKF TC=0+-100	09891	RK73H2BT1473F
R23	0699-1414	1	RESISTOR 90.9K +-1% .125W TKF TC=0+-100	09891	RK73H2BT9092F
R24	0699-1383	1	RESISTOR 4.22K +-1% .125W TKF TC=0+-100	00746	MCR18-F-4221
R25	0699-1375	1	RESISTOR 1.96K +-1% .125W TKF TC=0+-100	09891	RK73H2BT1961F
R26	0699-1407	1	RESISTOR 46.4K +-1% .125W TKF TC=0+-100	05524	CRCW12064642F
R28	0699-1422	1	RESISTOR 196 +-1% .125W TKF TC=0+-100	09891	RK73H2BT1960F
R29	0699-1383	1	RESISTOR 4.22K +-1% .125W TKF TC=0+-100	00746	MCR18-F-4221
R30	0699-1386	1	RESISTOR 5.62K +-1% .125W TKF TC=0+-100	09891	RK73H2BT5621F
R31	0699-1443	1	RESISTOR 147K +-1% .125W TKF TC=0+-100	09891	RK73H2BT1473F
R32	0699-2836	1	RESISTOR 15K +-0.1% .125W TF TC=0+-25	01172	BLU-1206 15K .1% 25PPM
R33	0699-2836	1	RESISTOR 15K +-0.1% .125W TF TC=0+-25	01172	BLU-1206 15K .1% 25PPM
R34	0699-1370	1	RESISTOR 1.21K +-1% .125W TKF TC=0+-100	05524	CRCW12061211F
R35	0699-1391	1	RESISTOR 10K +-1% .125W TKF TC=0+-100	05524	CRCW12061002F
R37	0699-0642	1	RESISTOR 10K +-0.1% .1W TF TC=0+-5	05524	PTF-5610K0BT-16
R39	0699-0642	1	RESISTOR 10K +-0.1% .1W TF TC=0+-5	05524	PTF-5610K0BT-16
R40	0699-0118	1	RESISTOR 20K +-0.1% .1W TF TC=0+-5	05524	PTF-5620K0BT-16
R41	0699-0118	1	RESISTOR 20K +-0.1% .1W TF TC=0+-5	05524	PTF-5620K0BT-16
R42	2100-4159	1	RESISTOR-TRMR 20 10% TKF TOP-ADJ 25-TRN	04568	67 YR
R43	0699-1348	1	RESISTOR 14.7 +-1% .125W TKF TC=0+-100	05524	CRCW120614R7F

**Indicates factory-selected value*

CLIP 08564-90033 11

Scans by ArtekMedia => 2009

HP Part Number 08564-60029
Frequency Control (continued)

Reference Designator	HP Part Number	Qty	Description	Mfr Code	Mfr Part Number
R44	0699-0555	1	RESISTOR 100 +0.1% .3W MF TC=0+-5	05524	VSR 100R .1%
R47	0699-1391	1	RESISTOR 10K +-1% .125W TKF TC=0+-100	05524	CRCW12061002F
R48	0699-1361	1	RESISTOR 51.1 +-1% .125W TKF TC=0+-100	05524	CRCW120651R1F
R49	0699-1425	1	RESISTOR 261 +-1% .125W TKF TC=0+-100	00746	MCR18-F-2610
R50	0699-1391	1	RESISTOR 10K +-1% .125W TKF TC=0+-100	05524	CRCW12061002F
R51	0699-1414	1	RESISTOR 90.9K +-1% .125W TKF TC=0+-100	09891	RK73H2BT9092F
R52	0699-1448	1	RESISTOR 316K +-1% .125W TKF TC=0+-100	05524	CRCW12063163F
R53	0699-2846	1	RESISTOR 5K +-0.1% .125W TF TC=0+-25	02499	W1206R035001BT
R54	0699-2846	1	RESISTOR 5K +-0.1% .125W TF TC=0+-25	02499	W1206R035001BT
R55	0699-1329	1	RESISTOR 6.19K +-1% .125W TKF TC=0+-100	05524	CRCW12066191F
R56	0699-1383	1	RESISTOR 4.22K +-1% .125W TKF TC=0+-100	00746	MCR18-F-4221
R57	0698-6967	1	RESISTOR 32.5K +-1% .125W TF TC=0+-25	05524	CMF-553252FT-9
R58	0699-2488	1	RESISTOR 100 +-0.1% .125W TF TC=0+-25	02499	W1206R031000BT
R59	0699-1415	1	RESISTOR 100 +-1% .125W TKF TC=0+-100	05524	CRCW12061000F
R60	0699-0555	1	RESISTOR 100 +0.1% .3W MF TC=0+-5	05524	VSR 100R .1%
R61	0699-0555	1	RESISTOR 100 +0.1% .3W MF TC=0+-5	05524	VSR 100R .1%
R62	0699-1354	1	RESISTOR 26.1 +-1% .125W TKF TC=0+-100	09891	RK73H2BT26R1F
R63	0699-1385	1	RESISTOR 5.11K +-1% .125W TKF TC=0+-100	05524	CRCW12065111F
R64	0699-1385	1	RESISTOR 5.11K +-1% .125W TKF TC=0+-100	05524	CRCW12065111F
R68	0699-1415	1	RESISTOR 100 +-1% .125W TKF TC=0+-100	05524	CRCW12061000F
R69	0699-1429	1	RESISTOR 383 +-1% .125W TKF TC=0+-100	09891	RK73H2BT3830F
R70	0699-1318	1	RESISTOR 1K +-1% .125W TKF TC=0+-100	00746	MCR18-F-1001
R71	0699-2483	1	RESISTOR 4K +-0.1% .125W TF TC=0+-25	02499	W1206R034001BT
R72	0699-2847	1	RESISTOR 2K +-0.1% .125W TF TC=0+-25	01172	BLU-1206 2K .1% 25PPM
R73	0757-0003	1	RESISTOR 26.1 +-1% .5W TF TC=0+-100	01074	H226R1FZ
R74	0757-0003	1	RESISTOR 26.1 +-1% .5W TF TC=0+-100	01074	H226R1FZ
R75	0699-1421	1	RESISTOR 178 +-1% .125W TKF TC=0+-100	09891	RK73H2BT1780F
R76	2100-1773	1	RESISTOR-TRMR 1K 5% WW TOP-ADJ 1-TRN	06026	CT-100-4-1K
R77	0757-0003	1	RESISTOR 26.1 +-1% .5W TF TC=0+-100	01074	H226R1FZ
R78	0699-1382	1	RESISTOR 3.83K +-1% .125W TKF TC=0+-100	05524	CRCW12063831F
R79	0699-2107	1	RESISTOR 63.93K +-0.1% .125W TF TC=0+-5	33830	UXBA63K930B
R80	0699-2109	1	RESISTOR 25K +-0.1% .125W TF TC=0+-5	33830	UXBA25K000B
R81	0699-2108	1	RESISTOR 50K +-0.1% .125W TF TC=0+-5	33830	UXBA50K000B
R82	0699-2108	1	RESISTOR 50K +-0.1% .125W TF TC=0+-5	33830	UXBA50K000B
R83	0699-1318	1	RESISTOR 1K +-1% .125W TKF TC=0+-100	00746	MCR18-F-1001

**HP Part Number 08564-60029
Frequency Control (continued)**

Reference Designator	HP Part Number	Qty	Description	Mfr Code	Mfr Part Number
R84	0699-1391	1	RESISTOR 10K +-1% .125W TKF TC=0+-100	05524	CRCW12061002F
R85	0699-1329	1	RESISTOR 6.19K +-1% .125W TKF TC=0+-100	05524	CRCW12066191F
R86	0699-2108	1	RESISTOR 50K +-0.1% .125W TF TC=0+-5	33830	UXBA50K000B
R88	0698-8547	1	RESISTOR 4K +-0.5% .1W TF TC=0+-5	09454	PR1/10T54K0.5%
R89	0698-8547	1	RESISTOR 4K +-0.5% .1W TF TC=0+-5	09454	PR1/10T54K0.5%
R90	0699-2114	1	RESISTOR 1K +-0.1% .125W TF TC=0+-5	05524	PTF-561K000BT-16
R91	0811-3852	1	RESISTOR 5 +-1% 3.5W PI TC=0+-5	05524	RS-5-1875R01%
R92	0699-2839	1	RESISTOR 150K +-0.1% .125W TF TC=0+-25	01172	BLU-1206 150K .1% 25PPM
R93	2100-3286	1	RESISTOR-TRMR 10K 10% TKF TOP-ADJ 17-TRN	04568	67WR
R94	0699-1382	1	RESISTOR 3.83K +-1% .125W TKF TC=0+-100	05524	CRCW12063831F
R95	0699-2489	1	RESISTOR 10K +-0.1% .125W TF TC=0+-25	01172	BLU-1206 10K .1% 25PPM
R96	0699-2489	1	RESISTOR 10K +-0.1% .125W TF TC=0+-25	01172	BLU-1206 10K .1% 25PPM
R97	0699-1327	1	RESISTOR 1M +-1% .125W TKF TC=0+-100	09891	RK73H2BT1004F
R99	0699-1408	1	RESISTOR 51.1K +-1% .125W TKF TC=0+-100	05524	CRCW12065112F
R100	0699-1381	1	RESISTOR 3.48K +-1% .125W TKF TC=0+-100	05524	CRCW12063481F
R101	0699-1391	1	RESISTOR 10K +-1% .125W TKF TC=0+-100	05524	CRCW12061002F
R102	0699-1391	1	RESISTOR 10K +-1% .125W TKF TC=0+-100	05524	CRCW12061002F
R103	0699-1406	1	RESISTOR 42.2K +-1% .125W TKF TC=0+-100	00746	MCR18-F-4222
R104	0699-1327	1	RESISTOR 1M +-1% .125W TKF TC=0+-100	09891	RK73H2BT1004F
R105	0699-0620	1	RESISTOR 2.222K +-0.1% .1W TF TC=0+-5	05524	PTF-562K222BT-16
R107	0699-1385	1	RESISTOR 5.11K +-1% .125W TKF TC=0+-100	05524	CRCW12065111F
R108	0699-2846	1	RESISTOR 5K +-0.1% .125W TF TC=0+-25	02499	W1206R035001BT
R109	0699-1382	1	RESISTOR 3.83K +-1% .125W TKF TC=0+-100	05524	CRCW12063831F
R110	0699-1330	1	RESISTOR 100K +-1% .125W TKF TC=0+-100	00746	MCR18-F-1003
R111	0699-1440	1	RESISTOR 121K +-1% .125W TKF TC=0+-100	05524	CRCW12061213F
R112	0699-2125	1	RESISTOR 643.7K +-1% .125W TF TC=0+-100	05524	CMF-55643R7KFT-1
R113	0699-2113	1	RESISTOR 2K +-0.1% .125W TF TC=0+-5	33830	UXBA2K0000B
R114	0699-2823	1	RESISTOR 8K +-0.1% .125W TF TC=0+-25	02499	W1206R038001BT
R115	0699-1330	1	RESISTOR 100K +-1% .125W TKF TC=0+-100	00746	MCR18-F-1003
R116	0699-1330	1	RESISTOR 100K +-1% .125W TKF TC=0+-100	00746	MCR18-F-1003
R117	0699-2839	1	RESISTOR 150K +-0.1% .125W TF TC=0+-25	01172	BLU-1206 150K .1% 25PPM
R118	0698-8547	1	RESISTOR 4K +-0.5% .1W TF TC=0+-5	09454	PR1/10T54K0.5%
R119	0699-1361	1	RESISTOR 51.1 +-1% .125W TKF TC=0+-100	05524	CRCW120651R1F
R120	0699-2104	1	RESISTOR 169.5K +-0.1% .125W TF TC=0+-5	33830	UXBA169K50B
R121	0699-3450	1	RESISTOR 487 +-0.1% .1W TF TC=0+-5	33830	UXBA487R00B

**Indicates factory-selected value*

CLIP 08564-90033 13

Scans by ArtekMedia => 2009

HP Part Number 08564-60029
Frequency Control (continued)

Reference Designator	HP Part Number	Qty	Description	Mfr Code	Mfr Part Number
R122	0699-2122	1	RESISTOR 55.5K +-0.1% .125W TF TC=0+-25	05524	CMF-555552BT-9
R123	0699-2489	1	RESISTOR 10K +-0.1% .125W TF TC=0+-25	01172	BLU-1206 10K .1% 25PPM
R124	0699-1391	1	RESISTOR 10K +-1% .125W TKF TC=0+-100	05524	CRCW12061002F
R125	0699-1415	1	RESISTOR 100 +-1% .125W TKF TC=0+-100	05524	CRCW12061000F
R126	0699-0555	1	RESISTOR 100 +-0.1% .3W MF TC=0+-5	05524	VSR 100R .1%
R127	0699-1396	1	RESISTOR 17.8K +-1% .125W TKF TC=0+-100	05524	CRCW12061782F
R128	0699-1416	1	RESISTOR 110 +-1% .125W TKF TC=0+-100	05524	CRCW12061100F
R129	0699-1391	1	RESISTOR 10K +-1% .125W TKF TC=0+-100	05524	CRCW12061002F
R130	0699-1415	1	RESISTOR 100 +-1% .125W TKF TC=0+-100	05524	CRCW12061000F
R131	0699-1369	1	RESISTOR 1.1K +-1% .125W TKF TC=0+-100	05524	CRCW12061101F
R132	0699-2105	1	RESISTOR 150K +-0.1% .125W TF TC=0+-5	33830	UXBA150K00B
R133	0699-1377	1	RESISTOR 2.37K +-1% .125W TKF TC=0+-100	09891	RK73H2BT2371F
R134	0699-1330	1	RESISTOR 100K +-1% .125W TKF TC=0+-100	00746	MCR18-F-1003
R135	0699-1391	1	RESISTOR 10K +-1% .125W TKF TC=0+-100	05524	CRCW12061002F
R136	0699-1112	1	RESISTOR 2K +-0.1% .1W TF TC=0+-5	05524	PTF-562K0BT-16
R137	0699-2841	1	RESISTOR 9K +-0.1% .125W TF TC=0+-25	02499	W1206R039001BT
R138	0699-2827	1	RESISTOR 900 +-0.1% .125W TF TC=0+-25	02499	W1206R039000BT
R139	0699-2488	1	RESISTOR 100 +-0.1% .125W TF TC=0+-25	02499	W1206R031000BT
R140	0699-0642	1	RESISTOR 10K +-0.1% .1W TF TC=0+-5	05524	PTF-5610K0BT-16
R141	0699-1386	1	RESISTOR 5.62K +-1% .125W TKF TC=0+-100	09891	RK73H2BT5621F
R142	0699-1405	1	RESISTOR 38.3K +-1% .125W TKF TC=0+-100	05524	CRCW12063832F
R143	0699-1440	1	RESISTOR 121K +-1% .125W TKF TC=0+-100	05524	CRCW12061213F
R144	0699-1414	1	RESISTOR 90.9K +-1% .125W TKF TC=0+-100	09891	RK73H2BT9092F
R145	0698-8472	1	RESISTOR 2.653K +-0.1% .1W TF TC=0+-5	05524	PTF-562K653BT-16
R146	0699-1447	1	RESISTOR 261K +-1% .125W TKF TC=0+-100	09891	RK73H2BT2613F
R147	0699-2484	1	RESISTOR 50K +-0.1% .125W TF TC=0+-25	01172	BLU-1206 50K .1% 25PPM
R148	0699-0073	1	RESISTOR 10M +-1% .125W TF TC=0+-100	05524	CMF-551005FT-1
R149	0699-0072	1	RESISTOR 6.81M +-1% .125W TF TC=0+-150	05524	MK2 6814 +/-1% .125W +/-150PPM
R150	0699-1384	1	RESISTOR 4.64K +-1% .125W TKF TC=0+-100	09891	RK73H2BT4641F
R151	0699-1386	1	RESISTOR 5.62K +-1% .125W TKF TC=0+-100	09891	RK73H2BT5621F
R152	0699-1384	1	RESISTOR 4.64K +-1% .125W TKF TC=0+-100	09891	RK73H2BT4641F
R153	0699-1386	1	RESISTOR 5.62K +-1% .125W TKF TC=0+-100	09891	RK73H2BT5621F
R154	0699-1388	1	RESISTOR 7.5K +-1% .125W TKF TC=0+-100	05524	CRCW12067501F
R155	0699-1361	1	RESISTOR 51.1 +-1% .125W TKF TC=0+-100	05524	CRCW120651R1F
R156	0699-2489	1	RESISTOR 10K +-0.1% .125W TF TC=0+-25	01172	BLU-1206 10K .1% 25PPM

**HP Part Number 08564-60029
Frequency Control (continued)**

Reference Designator	HP Part Number	Qty	Description	Mfr Code	Mfr Part Number
R157	0699-1503	1	RESISTOR 0 CWM	05524	CRCW1206000
R158	0698-6377	1	RESISTOR 200 +0.1% .125W TF TC=0+-25	05524	CMF-552000BT-9
R159	0699-1383	1	RESISTOR 4.22K +-1% .125W TKF TC=0+-100	00746	MCR18-F-4221
R160	0699-1785	1	RESISTOR 13.3K +-1% .125W TKF TC=0+-100	05524	CRCW12061332F
R161	0699-1391	1	RESISTOR 10K +-1% .125W TKF TC=0+-100	05524	CRCW12061002F
R162	0699-1785	1	RESISTOR 13.3K +-1% .125W TKF TC=0+-100	05524	CRCW12061332F
R163	0699-1391	1	RESISTOR 10K +-1% .125W TKF TC=0+-100	05524	CRCW12061002F
R164	0699-1421	1	RESISTOR 178 +-1% .125W TKF TC=0+-100	09891	RK73H2BT1780F
R165	0699-1421	1	RESISTOR 178 +-1% .125W TKF TC=0+-100	09891	RK73H2BT1780F
R166	0699-1453	1	RESISTOR 464K +-1% .125W TKF TC=0+-100	00746	MCR18-F-4643
R167	0699-1456	1	RESISTOR 562K +-1% .125W TKF TC=0+-100	09891	RK73H2BT5623F
R168	0699-1400	1	RESISTOR 26.1K +-1% .125W TKF TC=0+-100	05524	CRCW12062612F
R169	0699-1385	1	RESISTOR 5.11K +-1% .125W TKF TC=0+-100	05524	CRCW12065111F
R170	0699-1398	1	RESISTOR 21.5K +-1% .125W TKF TC=0+-100	05524	CRCW12062152F
R171	0699-1400	1	RESISTOR 26.1K +-1% .125W TKF TC=0+-100	05524	CRCW12062612F
R172	0699-1385	1	RESISTOR 5.11K +-1% .125W TKF TC=0+-100	05524	CRCW12065111F
R173	0699-1398	1	RESISTOR 21.5K +-1% .125W TKF TC=0+-100	05524	CRCW12062152F
R174	0699-1437	1	RESISTOR 825 +-1% .125W TKF TC=0+-100	00746	MCR18-F-8250
R175	0699-1391	1	RESISTOR 10K +-1% .125W TKF TC=0+-100	05524	CRCW12061002F
R176	0699-1391	1	RESISTOR 10K +-1% .125W TKF TC=0+-100	05524	CRCW12061002F
R177	0699-1399	1	RESISTOR 23.7K +-1% .125W TKF TC=0+-100	05524	CRCW12062372F
R178	0699-1318	1	RESISTOR 1K +-1% .125W TKF TC=0+-100	00746	MCR18-F-1001
R179	0699-1904	1	RESISTOR 1.62K +-1% .125W TKF TC=0+-100	05524	CRCW12061621F
R180	0699-1415	1	RESISTOR 100 +-1% .125W TKF TC=0+-100	05524	CRCW12061000F
R181	0699-1435	1	RESISTOR 681 +-1% .125W TKF TC=0+-100	09891	RK73H2BT6810F
R182	0699-1406	1	RESISTOR 42.2K +-1% .125W TKF TC=0+-100	00746	MCR18-F-4222
R183	0699-1329	1	RESISTOR 6.19K +-1% .125W TKF TC=0+-100	05524	CRCW12066191F
R184	0699-1380	1	RESISTOR 3.16K +-1% .125W TKF TC=0+-100	05524	CRCW12063161F
R186	0699-1396	1	RESISTOR 17.8K +-1% .125W TKF TC=0+-100	05524	CRCW12061782F
R187	0699-1337	1	RESISTOR 383K +-1% .125W TKF TC=0+-100	09891	RK73H2BT3833F
R188	0699-1400	1	RESISTOR 26.1K +-1% .125W TKF TC=0+-100	05524	CRCW12062612F
R189	0699-1404	1	RESISTOR 34.8K +-1% .125W TKF TC=0+-100	09891	RK73H2BT3482F
R190	0699-2109	1	RESISTOR 25K +-0.1% .125W TF TC=0+-5	33830	UXBA25K000B
R191	0699-1391	1	RESISTOR 10K +-1% .125W TKF TC=0+-100	05524	CRCW12061002F
R192	0699-1391	1	RESISTOR 10K +-1% .125W TKF TC=0+-100	05524	CRCW12061002F

**Indicates factory-selected value*

CLIP 08564-90033 15

Scans by ArtekMedia => 2009

HP Part Number 08564-60029
Frequency Control (continued)

Reference Designator	HP Part Number	Qty	Description	Mfr Code	Mfr Part Number
R193	0699-1391	1	RESISTOR 10K +-1% .125W TKF TC=0+-100	05524	CRCW12061002F
R194	0699-1391	1	RESISTOR 10K +-1% .125W TKF TC=0+-100	05524	CRCW12061002F
R195	0699-2889	1	RESISTOR 4.7 +-5% .125W TKF TC=0+-500	00746	MCR18-J-4R7
R196	0699-1327	1	RESISTOR 1M +-1% .125W TKF TC=0+-100	09891	RK73H2BT1004F
R199	0699-1318	1	RESISTOR 1K +-1% .125W TKF TC=0+-100	00746	MCR18-F-1001
R200	0699-1403	1	RESISTOR 31.6K +-1% .125W TKF TC=0+-100	00746	MCR18-F-3162
R201	0699-1361	1	RESISTOR 51.1 +-1% .125W TKF TC=0+-100	05524	CRCW120651R1F
R202	0699-1432	1	RESISTOR 511 +-1% .125W TKF TC=0+-100	00746	MCR18-F-5110
R203	0699-1385	1	RESISTOR 5.11K +-1% .125W TKF TC=0+-100	05524	CRCW12065111F
R204	0699-1376	1	RESISTOR 2.15K +-1% .125W TKF TC=0+-100	09891	RK73H2BT2151F
R205	0699-1415	1	RESISTOR 100 +-1% .125W TKF TC=0+-100	05524	CRCW12061000F
R206	0699-1365	1	RESISTOR 75 +-1% .125W TKF TC=0+-100	05524	CRCW120675R0F
R207	0699-1361	1	RESISTOR 51.1 +-1% .125W TKF TC=0+-100	05524	CRCW120651R1F
R209	0699-1391	1	RESISTOR 10K +-1% .125W TKF TC=0+-100	05524	CRCW12061002F
R211	0699-1384	1	RESISTOR 4.64K +-1% .125W TKF TC=0+-100	09891	RK73H2BT4641F
R212	0699-1384	1	RESISTOR 4.64K +-1% .125W TKF TC=0+-100	09891	RK73H2BT4641F
R213	0699-1408	1	RESISTOR 51.1K +-1% .125W TKF TC=0+-100	05524	CRCW12065112F
R214	0699-1377	1	RESISTOR 2.37K +-1% .125W TKF TC=0+-100	09891	RK73H2BT2371F
R215	0699-1391	1	RESISTOR 10K +-1% .125W TKF TC=0+-100	05524	CRCW12061002F
R216	0699-1434	1	RESISTOR 619 +-1% .125W TKF TC=0+-100	05524	CRCW12061960F
R217	0699-1377	1	RESISTOR 2.37K +-1% .125W TKF TC=0+-100	09891	RK73H2BT2371F
R218	0699-1408	1	RESISTOR 51.1K +-1% .125W TKF TC=0+-100	05524	CRCW12065112F
R219	0699-1434	1	RESISTOR 619 +-1% .125W TKF TC=0+-100	05524	CRCW12061960F
R220	0699-1434	1	RESISTOR 619 +-1% .125W TKF TC=0+-100	05524	CRCW12061960F
R221	0699-1376	1	RESISTOR 2.15K +-1% .125W TKF TC=0+-100	09891	RK73H2BT2151F
R223	0699-1432	1	RESISTOR 511 +-1% .125W TKF TC=0+-100	00746	MCR18-F-5110
R224	0699-1369	1	RESISTOR 1.1K +-1% .125W TKF TC=0+-100	05524	CRCW12061101F
R225	0699-1376	1	RESISTOR 2.15K +-1% .125W TKF TC=0+-100	09891	RK73H2BT2151F
R226	0699-1384	1	RESISTOR 4.64K +-1% .125W TKF TC=0+-100	09891	RK73H2BT4641F
R227	0699-1415	1	RESISTOR 100 +-1% .125W TKF TC=0+-100	05524	CRCW12061000F
R230	0699-1434	1	RESISTOR 619 +-1% .125W TKF TC=0+-100	05524	CRCW12061960F
R231	0699-1392	1	RESISTOR 11K +-1% .125W TKF TC=0+-100	05524	CRCW12061102F
R232	0699-1362	1	RESISTOR 56.2 +-1% .125W TKF TC=0+-100	00746	MCR18-F-56R2
R233	0699-1385	1	RESISTOR 5.11K +-1% .125W TKF TC=0+-100	05524	CRCW12065111F
R234	0699-1361	1	RESISTOR 51.1 +-1% .125W TKF TC=0+-100	05524	CRCW120651R1F

**HP Part Number 08564-60029
Frequency Control (continued)**

Reference Designator	HP Part Number	Qty	Description	Mfr Code	Mfr Part Number
R235	0699-1361	1	RESISTOR 51.1 +-1% .125W TKF TC=0+-100	05524	CRCW120651R1F
R236	0699-1391	1	RESISTOR 10K +-1% .125W TKF TC=0+-100	05524	CRCW12061002F
R237	0699-1396	1	RESISTOR 17.8K +-1% .125W TKF TC=0+-100	05524	CRCW12061782F
R238	0699-1378	1	RESISTOR 2.61K +-1% .125W TKF TC=0+-100	09891	RK73H2BT2611F
R239	0699-1387	1	RESISTOR 6.81K +-1% .125W TKF TC=0+-100	05524	CRCW12066811F
R240	0699-1503	1	RESISTOR 0 CWM	05524	CRCW1206000
R241	0699-1785	1	RESISTOR 13.3K +-1% .125W TKF TC=0+-100	05524	CRCW12061332F
R242	0699-1377	1	RESISTOR 2.37K +-1% .125W TKF TC=0+-100	09891	RK73H2BT2371F
R243	0699-1444	1	RESISTOR 178K +-1% .125W TKF TC=0+-100	05524	CRCW12061783F
R244	0699-1319	1	RESISTOR 12.1K +-1% .125W TKF TC=0+-100	09891	RK73H2BT1212F
R245	0699-1372	1	RESISTOR 1.47K +-1% .125W TKF TC=0+-100	00746	MCR18-F-1471
R246	0699-1415	1	RESISTOR 100 +-1% .125W TKF TC=0+-100	05524	CRCW12061000F
R247	0699-1374	1	RESISTOR 1.78K +-1% .125W TKF TC=0+-100	09891	RK73H2BT1781F
R248	0699-1423	1	RESISTOR 215 +-1% .125W TKF TC=0+-100	05524	CRCW12062150F
R249	0699-1356	1	RESISTOR 31.6 +-1% .25W TKF TC=0+-100	09891	RK73H2BT31R6F
R250	0699-1351	1	RESISTOR 19.6 +-1% .125W TKF TC=0+-100	05524	CRCW120619R6F
R251	0699-1366	1	RESISTOR 82.5 +-1% .125W TKF TC=0+-100	05524	CRCW120682R5F
R253	0699-1366	1	RESISTOR 82.5 +-1% .125W TKF TC=0+-100	05524	CRCW120682R5F
R254	0699-1364	1	RESISTOR 68.1 +-1% .125W TKF TC=0+-100	05524	CRCW120668R1F
R255	0699-1364	1	RESISTOR 68.1 +-1% .125W TKF TC=0+-100	05524	CRCW120668R1F
R256	0699-1364	1	RESISTOR 68.1 +-1% .125W TKF TC=0+-100	05524	CRCW120668R1F
R257	0699-1364	1	RESISTOR 68.1 +-1% .125W TKF TC=0+-100	05524	CRCW120668R1F
R258	0699-1363	1	RESISTOR 61.9 +-1% .125W TKF TC=0+-100	05524	CRCW120661R9F
R259	0699-1363	1	RESISTOR 61.9 +-1% .125W TKF TC=0+-100	05524	CRCW120661R9F
R260	0699-1363	1	RESISTOR 61.9 +-1% .125W TKF TC=0+-100	05524	CRCW120661R9F
R261	0699-1363	1	RESISTOR 61.9 +-1% .125W TKF TC=0+-100	05524	CRCW120661R9F
R262	0699-1363	1	RESISTOR 61.9 +-1% .125W TKF TC=0+-100	05524	CRCW120661R9F
R263	0699-1351	1	RESISTOR 19.6 +-1% .125W TKF TC=0+-100	05524	CRCW120619R6F
R264	0699-1318	1	RESISTOR 1K +-1% .125W TKF TC=0+-100	00746	MCR18-F-1001
R265	0699-1418	1	RESISTOR 133 +-1% .125W TKF TC=0+-100	05524	CRCW12061330F
R266	0699-1359	1	RESISTOR 42.2 +-1% .125W TKF TC=0+-100	05524	CRCW120642R2F
R267	0699-1418	1	RESISTOR 133 +-1% .125W TKF TC=0+-100	05524	CRCW12061330F
R268	0699-1322	1	RESISTOR 68.1K +-1% .125W TKF TC=0+-100	09891	RK73H2BT6812F
R269	0699-1320	1	RESISTOR 19.6K +-1% .125W TKF TC=0+-100	09891	RK73H2BT1962F
R270	0699-1320	1	RESISTOR 19.6K +-1% .125W TKF TC=0+-100	09891	RK73H2BT1962F

**Indicates factory-selected value*

CLIP 08564-90033 17

Scans by ArtekMedia => 2009

HP Part Number 08564-60029
Frequency Control (continued)

Reference Designator	HP Part Number	Qty	Description	Mfr Code	Mfr Part Number
R271	0699-1431	1	RESISTOR 464 +-1% .125W TKF TC=0+-100	05524	CRCW12064640F
R272	0699-1431	1	RESISTOR 464 +-1% .125W TKF TC=0+-100	05524	CRCW12064640F
R273	0699-1347	1	RESISTOR 13.3 +-1% .125W TKF TC=0+-100	09891	RK73H2BT13R3F
R274	0699-1391	1	RESISTOR 10K +-1% .125W TKF TC=0+-100	05524	CRCW12061002F
R275	0699-1366	1	RESISTOR 82.5 +-1% .125W TKF TC=0+-100	05524	CRCW120682R5F
R276	0699-1416	1	RESISTOR 110 +-1% .125W TKF TC=0+-100	05524	CRCW12061100F
R277	0699-1416	1	RESISTOR 110 +-1% .125W TKF TC=0+-100	05524	CRCW12061100F
R278	0699-1366	1	RESISTOR 82.5 +-1% .125W TKF TC=0+-100	05524	CRCW120682R5F
R279	0699-1417	1	RESISTOR 121 +-1% .125W TKF TC=0+-100	09891	RK73H2BT1210F
R280	0699-1417	1	RESISTOR 121 +-1% .125W TKF TC=0+-100	09891	RK73H2BT1210F
R281	0699-1417	1	RESISTOR 121 +-1% .125W TKF TC=0+-100	09891	RK73H2BT1210F
R282	0699-1417	1	RESISTOR 121 +-1% .125W TKF TC=0+-100	09891	RK73H2BT1210F
R283	0699-1417	1	RESISTOR 121 +-1% .125W TKF TC=0+-100	09891	RK73H2BT1210F
R284	0699-1359	1	RESISTOR 42.2 +-1% .125W TKF TC=0+-100	05524	CRCW120642R2F
R285	0699-1417	1	RESISTOR 121 +-1% .125W TKF TC=0+-100	09891	RK73H2BT1210F
R286	0699-1417	1	RESISTOR 121 +-1% .125W TKF TC=0+-100	09891	RK73H2BT1210F
R287	0699-1417	1	RESISTOR 121 +-1% .125W TKF TC=0+-100	09891	RK73H2BT1210F
R288	0699-1417	1	RESISTOR 121 +-1% .125W TKF TC=0+-100	09891	RK73H2BT1210F
R289	0699-1417	1	RESISTOR 121 +-1% .125W TKF TC=0+-100	09891	RK73H2BT1210F
R290	0699-1330	1	RESISTOR 100K +-1% .125W TKF TC=0+-100	00746	MCR18-F-1003
R291	0699-1437	1	RESISTOR 825 +-1% .125W TKF TC=0+-100	00746	MCR18-F-8250
R292	0699-1330	1	RESISTOR 100K +-1% .125W TKF TC=0+-100	00746	MCR18-F-1003
R293	0699-1355	1	RESISTOR 28.7 +-1% .125W TKF TC=0+-100	09891	RK73H2BT28R7F
R294	0699-1363	1	RESISTOR 61.9 +-1% .125W TKF TC=0+-100	05524	CRCW120661R9F
R295	0699-1425	1	RESISTOR 261 +-1% .125W TKF TC=0+-100	00746	MCR18-F-2610
R296	0699-1318	1	RESISTOR 1K +-1% .125W TKF TC=0+-100	00746	MCR18-F-1001
R297	0699-1318	1	RESISTOR 1K +-1% .125W TKF TC=0+-100	00746	MCR18-F-1001
R298	0699-1318	1	RESISTOR 1K +-1% .125W TKF TC=0+-100	00746	MCR18-F-1001
R313	0699-1327	1	RESISTOR 1M +-1% .125W TKF TC=0+-100	09891	RK73H2BT1004F
R314	0699-1444	1	RESISTOR 178K +-1% .125W TKF TC=0+-100	05524	CRCW12061783F
R321	0699-1391	1	RESISTOR 10K +-1% .125W TKF TC=0+-100	05524	CRCW12061002F
R322	0699-1391	1	RESISTOR 10K +-1% .125W TKF TC=0+-100	05524	CRCW12061002F
R323	0699-1391	1	RESISTOR 10K +-1% .125W TKF TC=0+-100	05524	CRCW12061002F
R324	0699-1391	1	RESISTOR 10K +-1% .125W TKF TC=0+-100	05524	CRCW12061002F
R331	0699-1327	1	RESISTOR 1M +-1% .125W TKF TC=0+-100	09891	RK73H2BT1004F

**HP Part Number 08564-60029
Frequency Control (continued)**

Reference Designator	HP Part Number	Qty	Description	Mfr Code	Mfr Part Number
R332	0699-1327	1	RESISTOR 1M +-1% .125W TKF TC=0+-100	09891	RK73H2BT1004F
R333	0699-1387	1	RESISTOR 6.81K +-1% .125W TKF TC=0+-100	05524	CRCW12066811F
R334	0699-1385	1	RESISTOR 5.11K +-1% .125W TKF TC=0+-100	05524	CRCW12065111F
R335	0699-1406	1	RESISTOR 42.2K +-1% .125W TKF TC=0+-100	00746	MCR18-F-4222
R336	0699-1406	1	RESISTOR 42.2K +-1% .125W TKF TC=0+-100	00746	MCR18-F-4222
R337	0699-1398	1	RESISTOR 21.5K +-1% .125W TKF TC=0+-100	05524	CRCW12062152F
R338	0699-1327	1	RESISTOR 1M +-1% .125W TKF TC=0+-100	09891	RK73H2BT1004F
R339	0699-1444	1	RESISTOR 178K +-1% .125W TKF TC=0+-100	05524	CRCW12061783F
R400	0699-1391	1	RESISTOR 10K +-1% .125W TKF TC=0+-100	05524	CRCW12061002F
R401	0699-1391	1	RESISTOR 10K +-1% .125W TKF TC=0+-100	05524	CRCW12061002F
R402	0699-1391	1	RESISTOR 10K +-1% .125W TKF TC=0+-100	05524	CRCW12061002F
R403	0699-1391	1	RESISTOR 10K +-1% .125W TKF TC=0+-100	05524	CRCW12061002F
R404	0699-1391	1	RESISTOR 10K +-1% .125W TKF TC=0+-100	05524	CRCW12061002F
R405	0699-1391	1	RESISTOR 10K +-1% .125W TKF TC=0+-100	05524	CRCW12061002F
R406	0699-1391	1	RESISTOR 10K +-1% .125W TKF TC=0+-100	05524	CRCW12061002F
R410	0699-1348	1	RESISTOR 14.7 +-1% .125W TKF TC=0+-100	05524	CRCW120614R7F
R411	0699-1370	1	RESISTOR 1.21K +-1% .125W TKF TC=0+-100	05524	CRCW12061211F
R426	1810-1360	1	NET-RES 8 10.0K OHM 16-PIN	05524	SOMC-1603-103G
R428	0699-1391	1	RESISTOR 10K +-1% .125W TKF TC=0+-100	05524	CRCW12061002F
R450	0699-1419	1	RESISTOR 147 +-1% .125W TKF TC=0+-100	05524	CRCW12061470F
R530	0699-1416	1	RESISTOR 110 +-1% .125W TKF TC=0+-100	05524	CRCW12061100F
R531	0699-1416	1	RESISTOR 110 +-1% .125W TKF TC=0+-100	05524	CRCW12061100F
R532	0699-1416	1	RESISTOR 110 +-1% .125W TKF TC=0+-100	05524	CRCW12061100F
R533	0699-1416	1	RESISTOR 110 +-1% .125W TKF TC=0+-100	05524	CRCW12061100F
R534	0699-1361	1	RESISTOR 51.1 +-1% .125W TKF TC=0+-100	05524	CRCW120651R1F
R535	0699-1361	1	RESISTOR 51.1 +-1% .125W TKF TC=0+-100	05524	CRCW120651R1F
R536	0699-1416	1	RESISTOR 110 +-1% .125W TKF TC=0+-100	05524	CRCW12061100F
R537	0699-1416	1	RESISTOR 110 +-1% .125W TKF TC=0+-100	05524	CRCW12061100F
R538	0699-1361	1	RESISTOR 51.1 +-1% .125W TKF TC=0+-100	05524	CRCW120651R1F
R539	0699-1361	1	RESISTOR 51.1 +-1% .125W TKF TC=0+-100	05524	CRCW120651R1F
R540	0699-1361	1	RESISTOR 51.1 +-1% .125W TKF TC=0+-100	05524	CRCW120651R1F
R541	0699-1361	1	RESISTOR 51.1 +-1% .125W TKF TC=0+-100	05524	CRCW120651R1F
R542	0699-1415	1	RESISTOR 100 +-1% .125W TKF TC=0+-100	05524	CRCW12061000F
R543	0699-1415	1	RESISTOR 100 +-1% .125W TKF TC=0+-100	05524	CRCW12061000F
R544	0699-1361	1	RESISTOR 51.1 +-1% .125W TKF TC=0+-100	05524	CRCW120651R1F

**Indicates factory-selected value*

CLIP 08564-90033 19

Scans by ArtekMedia => 2009

HP Part Number 08564-60029
Frequency Control (continued)

Reference Designator	HP Part Number	Qty	Description	Mfr Code	Mfr Part Number
R545	0699-1427	1	RESISTOR 316 +-1% .125W TKF TC=0+-100	09891	RK73H2BT3160F
R546	0699-1427	1	RESISTOR 316 +-1% .125W TKF TC=0+-100	09891	RK73H2BT3160F
R547	0699-1427	1	RESISTOR 316 +-1% .125W TKF TC=0+-100	09891	RK73H2BT3160F
R548	0699-1427	1	RESISTOR 316 +-1% .125W TKF TC=0+-100	09891	RK73H2BT3160F
R550	0699-1408	1	RESISTOR 51.1K +-1% .125W TKF TC=0+-100	05524	CRCW12065112F
R551	0699-1408	1	RESISTOR 51.1K +-1% .125W TKF TC=0+-100	05524	CRCW12065112F
R552	0699-1427	1	RESISTOR 316 +-1% .125W TKF TC=0+-100	09891	RK73H2BT3160F
R553	0699-1427	1	RESISTOR 316 +-1% .125W TKF TC=0+-100	09891	RK73H2BT3160F
R554	0699-1415	1	RESISTOR 100 +-1% .125W TKF TC=0+-100	05524	CRCW12061000F
R555	0699-1330	1	RESISTOR 100K +-1% .125W TKF TC=0+-100	00746	MCR18-F-1003
R556	0699-1443	1	RESISTOR 147K +-1% .125W TKF TC=0+-100	09891	RK73H2BT1473F
R563	0699-1361	1	RESISTOR 51.1 +-1% .125W TKF TC=0+-100	05524	CRCW120651R1F
R564	0699-1361	1	RESISTOR 51.1 +-1% .125W TKF TC=0+-100	05524	CRCW120651R1F
R570	0699-1318	1	RESISTOR 1K +-1% .125W TKF TC=0+-100	00746	MCR18-F-1001
R571	0699-1503	1	RESISTOR 0 CWM	05524	CRCW1206000
R580	0699-1417	1	RESISTOR 121 +-1% .125W TKF TC=0+-100	09891	RK73H2BT1210F
R585	0699-1366	1	RESISTOR 82.5 +-1% .125W TKF TC=0+-100	05524	CRCW120682R5F
R586	0699-1361	1	RESISTOR 51.1 +-1% .125W TKF TC=0+-100	05524	CRCW120651R1F
R587	0699-1361	1	RESISTOR 51.1 +-1% .125W TKF TC=0+-100	05524	CRCW120651R1F
R588	0699-1361	1	RESISTOR 51.1 +-1% .125W TKF TC=0+-100	05524	CRCW120651R1F
R590	0699-1361	1	RESISTOR 51.1 +-1% .125W TKF TC=0+-100	05524	CRCW120651R1F
R591	0699-1361	1	RESISTOR 51.1 +-1% .125W TKF TC=0+-100	05524	CRCW120651R1F
R592	0699-1385	1	RESISTOR 5.11K +-1% .125W TKF TC=0+-100	05524	CRCW12065111F
R593	0699-1385	1	RESISTOR 5.11K +-1% .125W TKF TC=0+-100	05524	CRCW12065111F
R643	0699-1408	1	RESISTOR 51.1K +-1% .125W TKF TC=0+-100	05524	CRCW12065112F
R644	0699-1391	1	RESISTOR 10K +-1% .125W TKF TC=0+-100	05524	CRCW12061002F
R645	0699-1432	1	RESISTOR 511 +-1% .125W TKF TC=0+-100	00746	MCR18-F-5110
R646	0699-1319	1	RESISTOR 12.1K +-1% .125W TKF TC=0+-100	09891	RK73H2BT1212F
R647	0699-1319	1	RESISTOR 12.1K +-1% .125W TKF TC=0+-100	09891	RK73H2BT1212F
R648	0699-1433	1	RESISTOR 562 +-1% .125W TKF TC=0+-100	05524	CRCW12065620F
R655	0699-1503	1	RESISTOR 0 CWM	05524	CRCW1206000
R656	0699-1391	1	RESISTOR 10K +-1% .125W TKF TC=0+-100	05524	CRCW12061002F
R657	0699-1319	1	RESISTOR 12.1K +-1% .125W TKF TC=0+-100	09891	RK73H2BT1212F
R658	0699-1319	1	RESISTOR 12.1K +-1% .125W TKF TC=0+-100	09891	RK73H2BT1212F
R659	0699-1433	1	RESISTOR 562 +-1% .125W TKF TC=0+-100	05524	CRCW12065620F

**HP Part Number 08564-60029
Frequency Control (continued)**

Reference Designator	HP Part Number	Qty	Description	Mfr Code	Mfr Part Number
R666	0699-1422	1	RESISTOR 196 +-1% .125W TKF TC=0+-100	09891	RK73H2BT1960F
R667	0699-1391	1	RESISTOR 10K +-1% .125W TKF TC=0+-100	05524	CRCW12061002F
R668	0699-1319	1	RESISTOR 12.1K +-1% .125W TKF TC=0+-100	09891	RK73H2BT1212F
R669	0699-1319	1	RESISTOR 12.1K +-1% .125W TKF TC=0+-100	09891	RK73H2BT1212F
R670	0699-1433	1	RESISTOR 562 +-1% .125W TKF TC=0+-100	05524	CRCW12065620F
R677	0699-1422	1	RESISTOR 196 +-1% .125W TKF TC=0+-100	09891	RK73H2BT1960F
R678	0699-1391	1	RESISTOR 10K +-1% .125W TKF TC=0+-100	05524	CRCW12061002F
R679	0699-1408	1	RESISTOR 51.1K +-1% .125W TKF TC=0+-100	05524	CRCW12065112F
R680	0699-1391	1	RESISTOR 10K +-1% .125W TKF TC=0+-100	05524	CRCW12061002F
R681	0699-1432	1	RESISTOR 511 +-1% .125W TKF TC=0+-100	00746	MCR18-F-5110
R686	0699-1366	1	RESISTOR 82.5 +-1% .125W TKF TC=0+-100	05524	CRCW120682R5F
R687	0699-1785	1	RESISTOR 13.3K +-1% .125W TKF TC=0+-100	05524	CRCW12061332F
R688	0699-1401	1	RESISTOR 28.7K +-1% .125W TKF TC=0+-100	09891	RK73H2BT2872F
R690	0699-1422	1	RESISTOR 196 +-1% .125W TKF TC=0+-100	09891	RK73H2BT1960F
R691	0699-1422	1	RESISTOR 196 +-1% .125W TKF TC=0+-100	09891	RK73H2BT1960F
R692	0699-1422	1	RESISTOR 196 +-1% .125W TKF TC=0+-100	09891	RK73H2BT1960F
R693	0699-1422	1	RESISTOR 196 +-1% .125W TKF TC=0+-100	09891	RK73H2BT1960F
R694	0699-1422	1	RESISTOR 196 +-1% .125W TKF TC=0+-100	09891	RK73H2BT1960F
R695	0699-1422	1	RESISTOR 196 +-1% .125W TKF TC=0+-100	09891	RK73H2BT1960F
R696	0699-1422	1	RESISTOR 196 +-1% .125W TKF TC=0+-100	09891	RK73H2BT1960F
R697	0699-1422	1	RESISTOR 196 +-1% .125W TKF TC=0+-100	09891	RK73H2BT1960F
R698	0699-1422	1	RESISTOR 196 +-1% .125W TKF TC=0+-100	09891	RK73H2BT1960F
R699	0699-1391	1	RESISTOR 10K +-1% .125W TKF TC=0+-100	05524	CRCW12061002F
R700	0699-1407	1	RESISTOR 46.4K +-1% .125W TKF TC=0+-100	05524	CRCW12064642F
R701	0699-1391	1	RESISTOR 10K +-1% .125W TKF TC=0+-100	05524	CRCW12061002F
R702	0699-1330	1	RESISTOR 100K +-1% .125W TKF TC=0+-100	00746	MCR18-F-1003
R703	0699-1391	1	RESISTOR 10K +-1% .125W TKF TC=0+-100	05524	CRCW12061002F
R704	0699-1407	1	RESISTOR 46.4K +-1% .125W TKF TC=0+-100	05524	CRCW12064642F
R705	0699-1391	1	RESISTOR 10K +-1% .125W TKF TC=0+-100	05524	CRCW12061002F
R706	0699-1391	1	RESISTOR 10K +-1% .125W TKF TC=0+-100	05524	CRCW12061002F
R707	0699-1391	1	RESISTOR 10K +-1% .125W TKF TC=0+-100	05524	CRCW12061002F
R709	0699-1391	1	RESISTOR 10K +-1% .125W TKF TC=0+-100	05524	CRCW12061002F
R710	0699-1391	1	RESISTOR 10K +-1% .125W TKF TC=0+-100	05524	CRCW12061002F
R711	0699-1391	1	RESISTOR 10K +-1% .125W TKF TC=0+-100	05524	CRCW12061002F
R712	0699-1391	1	RESISTOR 10K +-1% .125W TKF TC=0+-100	05524	CRCW12061002F

**Indicates factory-selected value*

CLIP 08564-90033 21

Scans by ArtekMedia => 2009

HP Part Number 08564-60029
Frequency Control (continued)

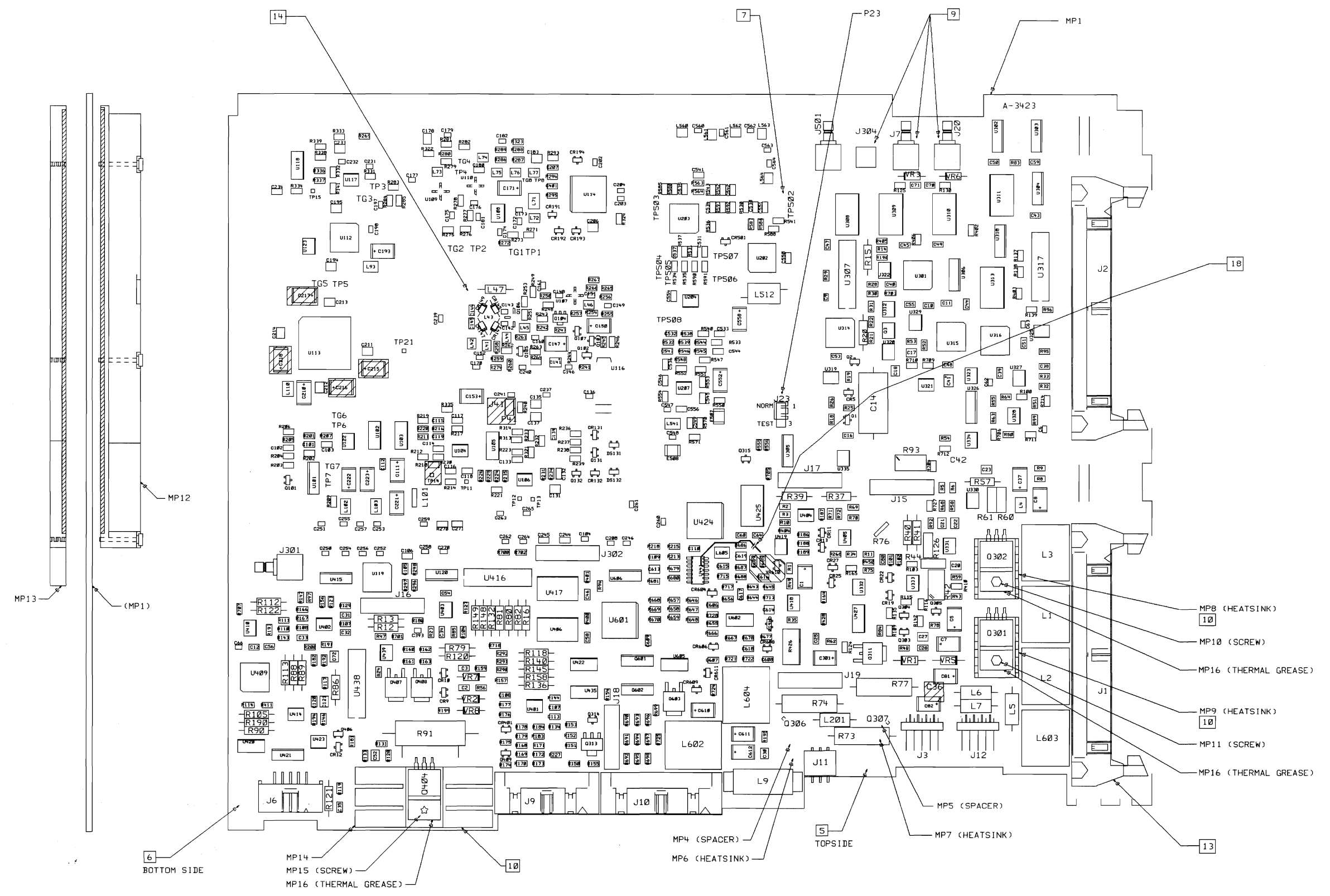
Reference Designator	HP Part Number	Qty	Description	Mfr Code	Mfr Part Number
R713	0699-1391	1	RESISTOR 10K +-1% .125W TKF TC=0+-100	05524	CRCW12061002F
R714	0699-1391	1	RESISTOR 10K +-1% .125W TKF TC=0+-100	05524	CRCW12061002F
R715	0699-1391	1	RESISTOR 10K +-1% .125W TKF TC=0+-100	05524	CRCW12061002F
R717	0699-1391	1	RESISTOR 10K +-1% .125W TKF TC=0+-100	05524	CRCW12061002F
R718	0699-1391	1	RESISTOR 10K +-1% .125W TKF TC=0+-100	05524	CRCW12061002F
R721	0699-1391	1	RESISTOR 10K +-1% .125W TKF TC=0+-100	05524	CRCW12061002F
R722	0699-1391	1	RESISTOR 10K +-1% .125W TKF TC=0+-100	05524	CRCW12061002F
R724	0699-1391	1	RESISTOR 10K +-1% .125W TKF TC=0+-100	05524	CRCW12061002F
R725	0699-1417	1	RESISTOR 121 +-1% .125W TKF TC=0+-100	09891	RK73H2BT1210F
R727	0699-1391	1	RESISTOR 10K +-1% .125W TKF TC=0+-100	05524	CRCW12061002F
R728	0699-1391	1	RESISTOR 10K +-1% .125W TKF TC=0+-100	05524	CRCW12061002F
R800	0698-8822	1	RESISTOR 6.81 +-1% .125W TF TC=0+-100	05524	CMF-556R81FT-1
U101	1820-7230	1	IC CNTR CMOS/HC BIN SYNCHRO	36633	MC74HC163ADR2
U102	1820-4966	1	IC FF CMOS/HC D-TYPE POS-EDGE-TRIG	01698	SN74HC74D
U103	1820-4692	1	IC GATE CMOS/HC NAND QUAD 2-INP	01698	SN74HC00D
U104	1826-1925	1	IC OP AMP LOW-NOISE SINGLE 8 PIN	03285	OP-27GS
U105	1826-1528	1	IC COMPARATOR LP QUAD 14 PIN PLSTC-SOIC	03406	LM339M
U106	1826-1925	1	IC OP AMP LOW-NOISE SINGLE 8 PIN	03285	OP-27GS
U107	1826-2175	1	IC RF/IF AMPL SINGLE 4 PIN U-WAVE-PILL	01542	MSA-0386-TR1
U108	5087-8040	1	IC 584P1DIVD	28480	5087-8040
U109	1826-2204	1	IC RF/IF AMPL SINGLE 4 PIN U-WAVE-PILL	01542	MSA-0686
U110	1826-2204	1	IC RF/IF AMPL SINGLE 4 PIN U-WAVE-PILL	01542	MSA-0686
U112	1821-4291	1	IC-ASIC CL-BSD CMOS 64046 PLCC	02037	SC64046FNR2
U113	1820-6472	1	IC-ASIC GT-ARY 18K GATES CMOS 140G18	06354	TC140G18AT-0001EZ
U114	1820-7310	1	IC CNTR ECL/10E BIN SYNCHRO	36633	MC10E016FN
U116	1826-0760	1	IC TEMP XDCR TO-92	03406	LM335AZ
U117	1826-1862	1	IC OP AMP LOW-BIAS-H-IMPED DUAL 8 PIN	04078	TL072CD
U118	1826-1528	1	IC COMPARATOR LP QUAD 14 PIN PLSTC-SOIC	03406	LM339M
U119	08563-80015	1	PAL-PRGM U119	28480	08563-80015
U120	1820-5804	1	IC SHF-RGTR CMOS/HC SYNC/ASYN	01698	SN74HC165D
U122	1826-1402	1	IC PWR MGT-V-REG-FXD-POS 4.8/5.2V 8 PINS	03406	LM78L05ACM
U123	1826-1402	1	IC PWR MGT-V-REG-FXD-POS 4.8/5.2V 8 PINS	03406	LM78L05ACM
U202	1820-5607	1	IC RCVR ECL/10KH LINE TPL	36633	MC10H116FN
U203	1820-6521	1	IC GATE ECL/10KH OR-NOR TPL 3-INP	36633	MC10H105FNR2
U204	1821-0616	1	IC DET 8 PIN PLSTC-SOIC	02037	MCK12140D

**HP Part Number 08564-60029
Frequency Control (continued)**

Reference Designator	HP Part Number	Qty	Description	Mfr Code	Mfr Part Number
U401	1826-2403	1	IC OP AMP LP DUAL 8 PIN PLSTC-SOIC	36633	MC33178DR2
U402	1826-2403	1	IC OP AMP LP DUAL 8 PIN PLSTC-SOIC	36633	MC33178DR2
U403	1826-2403	1	IC OP AMP LP DUAL 8 PIN PLSTC-SOIC	36633	MC33178DR2
U404	1826-2403	1	IC OP AMP LP DUAL 8 PIN PLSTC-SOIC	36633	MC33178DR2
U405	1826-1925	1	IC OP AMP LOW-NOISE SINGLE 8 PIN	03285	OP-27GS
U406	1820-5752	1	IC FF CMOS/HC D-TYPE POS-EDGE-TRIG COM	02910	74HC574D
U409	1826-2405	1	D/A 8-BIT 20-PLCC CMOS	03285	AD7528KP
U410	1826-1862	1	IC OP AMP LOW-BIAS-H-IMP DUAL 8 PIN	04078	TL072CD
U414	1826-2403	1	IC OP AMP LP DUAL 8 PIN PLSTC-SOIC	36633	MC33178DR2
U415	1826-1985	1	ANALOG SWITCH 4 SPST 16 -P-SOIC	02883	DG411DY
U416	1826-0811	1	ANALOG SWITCH 4 SPST 16 -CERDIP	03285	SW-01FQ
U417	1820-5752	1	IC FF CMOS/HC D-TYPE POS-EDGE-TRIG COM	02910	74HC574D
U418	1826-1925	1	IC OP AMP LOW-NOISE SINGLE 8 PIN	03285	OP-27GS
U419	1826-1687	1	IC PWR MGT-V-REF-FXD 9.95/10.05V 8 PINS	10858	LT1021DCS8-10
U420	1820-5220	1	IC INV CMOS/HC HEX	01698	SN74HC04D
U421	1858-0104	1	TRANSISTOR ARRAY 16-PIN PLSTC SURFACE	01698	ULN2003AD
U422	1826-1528	1	IC COMPARATOR LP QUAD 14 PIN PLSTC-SOIC	03406	LM339M
U423	1826-1925	1	IC OP AMP LOW-NOISE SINGLE 8 PIN	03285	OP-27GS
U424	1826-1700	1	D/A 8-BIT 28-PLCC CMOS	03285	AD7225LP
U425	1820-5752	1	IC FF CMOS/HC D-TYPE POS-EDGE-TRIG COM	02910	74HC574D
U427	1826-1528	1	IC COMPARATOR LP QUAD 14 PIN PLSTC-SOIC	03406	LM339M
U435	1826-1528	1	IC COMPARATOR LP QUAD 14 PIN PLSTC-SOIC	03406	LM339M
U438	1826-0811	1	ANALOG SWITCH 4 SPST 16 -CERDIP	03285	SW-01FQ
U439	1826-1572	1	IC COMPARATOR PRCN DUAL 8 PIN PLSTC-SOIC	02910	LM393D
U441	1826-1622	1	IC OP AMP LOW-BIAS-H-IMP D QUAD 14 PIN	01698	TL074CD
U601	1826-1700	1	D/A 8-BIT 28-PLCC CMOS	03285	AD7225LP
U602	1826-1622	1	IC OP AMP LOW-BIAS-H-IMP D QUAD 14 PIN	01698	TL074CD
U605	1826-1622	1	IC OP AMP LOW-BIAS-H-IMP D QUAD 14 PIN	01698	TL074CD
U606	1826-2145	1	ANALOG SWITCH 4 SPST 16 -P-SOIC	02883	DG413DY
VR1	1902-0579	1	DIODE-ZNR 5.1V 5% PD=1W IR=10UA	02688	DZ810725N
VR2	1902-0951	1	DIODE-ZNR 5.1V 5% DO-35 PD=.4W TC=+.035%	36633	SZ30035-9RL
VR3	1902-0962	1	DIODE-ZNR 15V 5% DO-35 PD=.4W TC=+.087%	02688	1N965B
VR5	1902-0554	1	DIODE-ZNR 10V 5% PD=1W IR=10UA	02688	1N4740A
VR6	1902-0962	1	DIODE-ZNR 15V 5% DO-35 PD=.4W TC=+.087%	02688	1N965B
VR7	1902-0951	1	DIODE-ZNR 5.1V 5% DO-35 PD=.4W TC=+.035%	36633	SZ30035-9RL

HP Part Number 08564-60029
Frequency Control (continued)

Reference Designator	HP Part Number	Qty	Description	Mfr Code	Mfr Part Number
VR8	1902-0958	1	DIODE-ZNR 10V 5% DO-35 PD=.4W TC=+.075%	02688	1N961B



- NOTES: UNLESS OTHERWISE SPECIFIED
- USE RAW BOARD PART NUMBER 08564-20014
 - DIMENSIONS ARE IN INCHES
 - MAXIMUM COMPONENT HEIGHT .400 UNDER SHIELD (MP12)
.470 ELSEWHERE
 - MAXIMUM LEAD TRIM LENGTH .118
 - LABEL INDICATES THE FINAL ASSEMBLY SERIAL NUMBER.
 - BARCODE LOCATION.
 - PART SPACING IN SOME AREAS VIOLATE REWORK GUIDELINES. REWORK OF SOME PARTS MAY REQUIRE REMOVAL OF ADJACENT PARTS.

- TP1-8, 11-13, TG1-8 AND TPS02-508 ARE TEST POINT HOLE PAIRS. NO PART IS LOADED IN THE PAIR OF HOLES. HOLES PAIRS MUST BE FREE OF SOLDER.
- SHIELD MATING SURFACES AND MOUNTING HOLES MUST BE FREE OF EXCESSIVE SOLDER.
- MAXIMUM LEAD TRIM LENGTH .050 INCHES (J7, J20, J304).
- .425 MAXIMUM HEIGHT ON HEATSINKS MP8, MP9 AND MP14.
- HATCHED COMPONENTS ARE NOT LOADED FOR THIS ASSEMBLY.

- MP12 AND 13 ARE LOADED AT FINAL ASSEMBLY.
- J1 TO BE FLUSH WITH PCB WITHIN .025.
- CR144, CR146, CR148, AND CR150 DIODES ARE MOUNTED ON THE BOTTOM SIDE OF THE PCB DIRECTLY UNDER CR143, CR145, CR147, AND CR149 RESPECTIVELY. SEE DETAIL A

- ASSEMBLY NOTES FOR W3(SEE SHEET 2 OF 2)
 - ADD W3, (26AWG) (MOD WIRE APPROXIMATELY 7in)
 - STRIP ONE END OF W3. WRAP AND SOLDER TO PIN 1 OF J11.
 - DRESS W3 AS SHOWN ON DRAWING TO AVOID TEST POINTS.
 - CUT OTHER END OF W3 TO LENGTH (APPROXIMATELY 1/2in) TO LAY FLAT TO BOARD AND REACH PINS 4 AND 5 OF J1.
 - STRIP END OF W3 LONG ENOUGH TO SOLDER TO PINS 4 AND 5 AS SHOWN IN DRAWING. INSURING WIRE DOES NOT SHORT TO OTHER PINS.
 - TACK W3 TO BOARD AT 1-2in INTERVALS. USING APPROVED ADHESIVE.
 - FORM R800 AS SHOWN ON SHEET 2 OF 2. INSTALL TO J11. SOLDERING ONE LEAD OF J11. PIN 1 AND THE OTHER END TO J11 PIN3.
- ASSEMBLY NOTES FOR W4(SEE SHEET 2 OF 2)
 - ADD W4, (26AWG) FROM J11 PIN 2 TO J19 PIN 7.
 - TACK W4 TO BOARD USING APPROVED ADHESIVE.
- CUT TRACE THAT EXTENDS FROM THE END OF R686 TO VIA NEAR R685. USE APPROVED ADHESIVE TO COVER CUT TRACE.

TOP SIDE
SEE 08564-60029 MATERIAL LIST

AGILENT TECHNOLOGIES
RESTRICTED
THIS DOCUMENT CONTAINS CONFIDENTIAL, PROPRIETARY INFORMATION THAT IS AGILENT TECHNOLOGIES PROPERTY. DO NOT DISCLOSE TO OR DUPLICATE FOR OTHERS EXCEPT AS AUTHORIZED BY AGILENT TECHNOLOGIES.

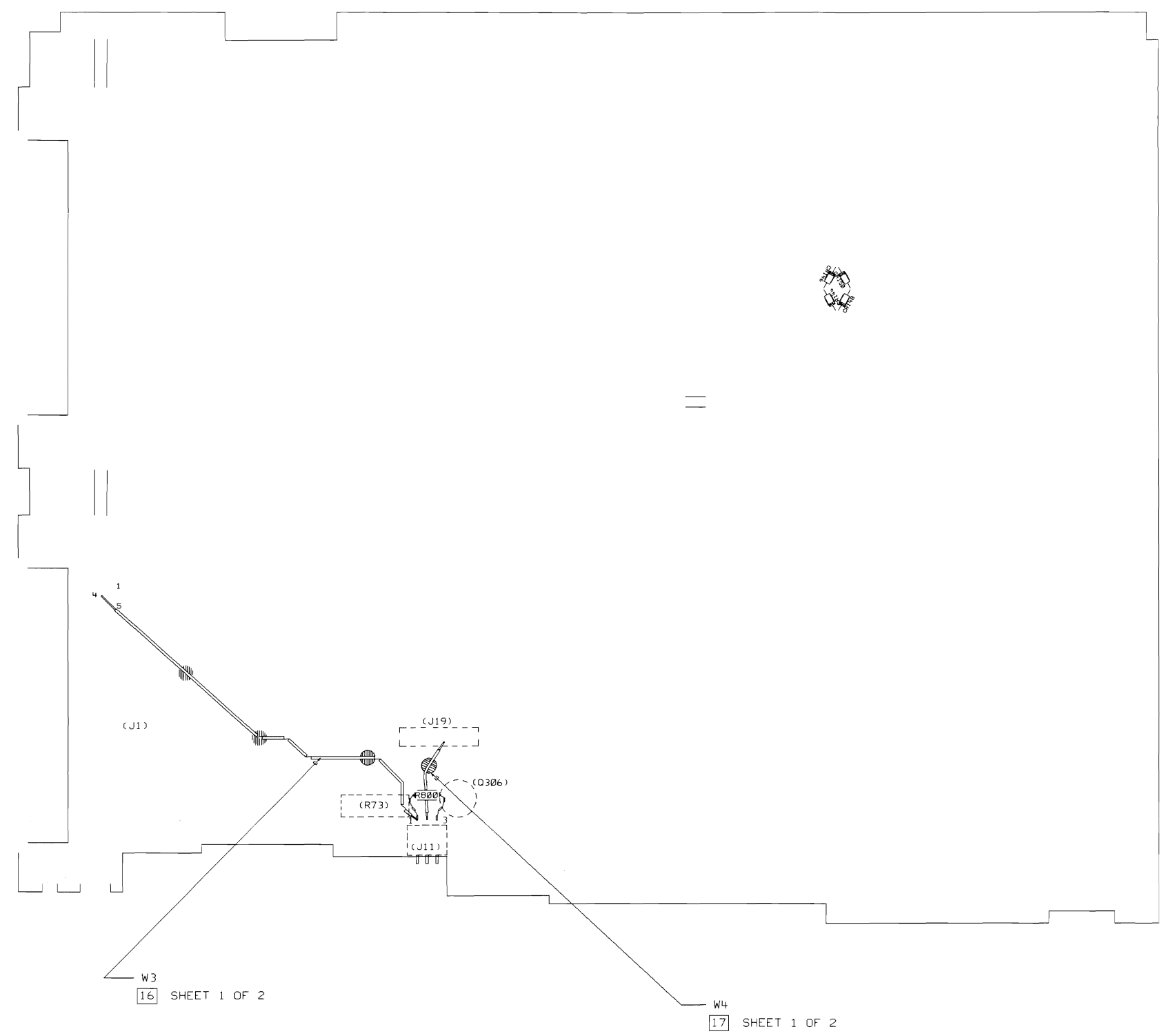
UNLESS OTHERWISE SPECIFIED, DIMENSIONS ARE IN INCHES.
TOLERANCES: XX.XXX ±.010
 XX.XX ±.02
THIRD ANGLE PROJECTION
DO NOT SCALE THIS DRAWING

DRAWN BY	DATE
ENGINEER/CHECKER	DATE
RELEASE TO PROD.	DATE
SUPERSEDES DWG.	

ASSEMBLY, PWB
FREQ CONTROL
TITLE

FILENAME	a1aby029
SCALE	NONE
SHEET	1 OF 2
PART NUMBER	08564-60029
	D-08564-60029-2

5300		D-08564-60029-2	
SYM	REVISIONS	APPROVED	DATE
A	AS ISSUED PER PCO#5300-11097		



16 SHEET 1 OF 2

17 SHEET 1 OF 2

BOTTOM SIDE

<p>AGILENT TECHNOLOGIES RESTRICTED</p> <p>THIS DOCUMENT CONTAINS CONFIDENTIAL, PROPRIETARY INFORMATION THAT IS AGILENT TECHNOLOGIES PROPERTY. DO NOT DISCLOSE TO OR DUPLICATE FOR OTHERS EXCEPT AS AUTHORIZED BY AGILENT TECHNOLOGIES.</p>	<p>UNLESS OTHERWISE SPECIFIED, DIMENSIONS ARE IN INCHES.</p> <p>TOLERANCES: XX.XXX ±.010 XX.XX ±.02</p> <p>THIRD ANGLE PROJECTION</p> <p>DO NOT SCALE THIS DRAWING</p>	<p>DRAWN BY</p> <p>ENGINEER/CHECKER</p> <p>RELEASE TO PROD.</p> <p>SUPERSEDES DWG.</p>	<p>DATE</p> <p>DATE</p> <p>DATE</p>	<p>ASSEMBLY, PWB</p> <p>FREQ CONTROL</p>	<p>agaby029</p> <p>FILENAME</p> <p>SCALE NONE</p> <p>SHEET 2 OF 2</p> <p>08564-60029</p> <p>PART NUMBER</p> <p>D-08564-60029-2</p>
	<p>AGILENT TECHNOLOGIES</p>				
	<p>THIS DOCUMENT CONTAINS CONFIDENTIAL, PROPRIETARY INFORMATION THAT IS AGILENT TECHNOLOGIES PROPERTY. DO NOT DISCLOSE TO OR DUPLICATE FOR OTHERS EXCEPT AS AUTHORIZED BY AGILENT TECHNOLOGIES.</p>				
	<p>AGILENT TECHNOLOGIES</p>				

Table with columns: SYM, REVISIONS, APPROVED, DATE. Row 1: AS ISSUED PER PCO#5300-11897, 3-3-98. Row 2: CH PER PCO 53-12859/13170 /KV, 02-11-99. Row 3: CHANGED PER PCO 53-13593 /GH, 04-19-99.

Table with columns: MNEMONIC, J-PIN, SHEET (1-5), and a grid of alphanumeric characters representing pin connections.

Table with columns: MNEMONIC, J-PIN, SHEET (1-5), and a grid of alphanumeric characters representing pin connections.

Table with columns: MNEMONIC, J-PIN, SHEET (1-5), and a grid of alphanumeric characters representing pin connections.

- J7 SWEEP/FAV OUTPUT
J11 FIRST MIXER BIAS AMP
J20 SWEEP OUTPUT
J23 YTO ERROR TEST
J41 FRAC N TUNE
J301 10MHZ REF INPUT
J304 FRAC N TEST OUTPUT
J501 SAMPLER IF INPUT

J15 TEST CONNECTOR table with columns: PIN, SIGNAL, SHEET/BLOCK.

J16 TEST CONNECTOR table with columns: PIN, SIGNAL, SHEET/BLOCK.

J17 TEST CONNECTOR table with columns: PIN, SIGNAL, SHEET/BLOCK.

J18 TEST CONNECTOR table with columns: PIN, SIGNAL, SHEET/BLOCK.

J19 TEST CONNECTOR table with columns: PIN, SIGNAL, SHEET/BLOCK.

J302 TEST CONNECTOR table with columns: PIN, SIGNAL, SHEET/BLOCK.

J3 YTO DRIVE table with columns: PIN, SIGNAL, SHEET/BLOCK.

J6 Y-CONTACT ATTEN DRIVE table with columns: PIN, SIGNAL, SHEET/BLOCK.

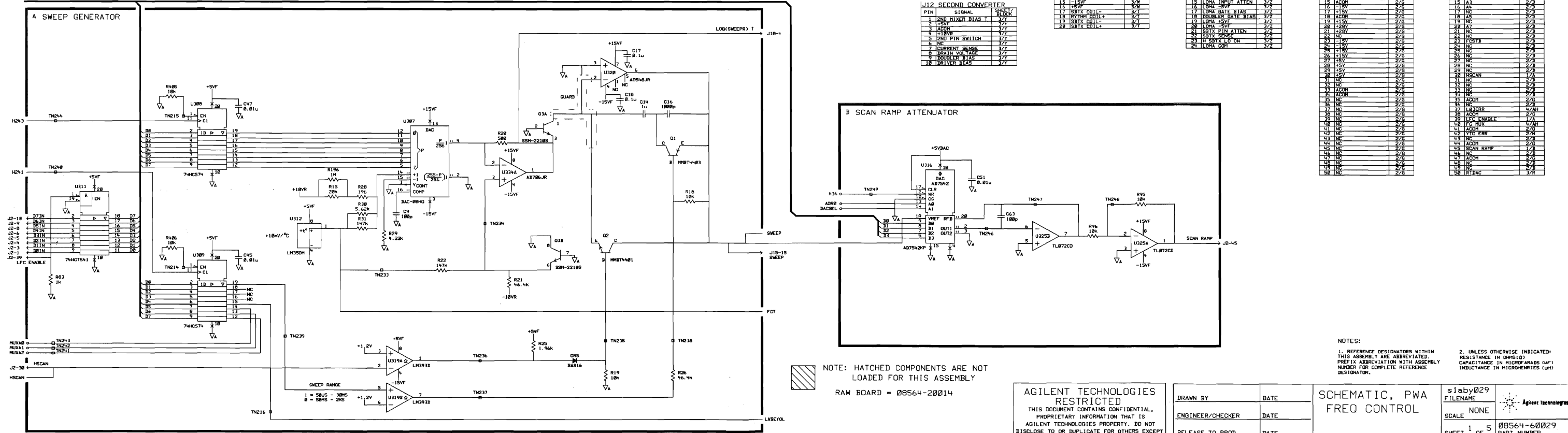
J9 RYTHM DRIVE table with columns: PIN, SIGNAL, SHEET/BLOCK.

J10 LOMA DRIVE table with columns: PIN, SIGNAL, SHEET/BLOCK.

J1 POWER CONNECTOR table with columns: PIN, SIGNAL, SHEET/BLOCK.

J2 CONTROL CONNECTOR table with columns: PIN, SIGNAL, SHEET/BLOCK.

DATA BUS SHEETS 2,3 & 4



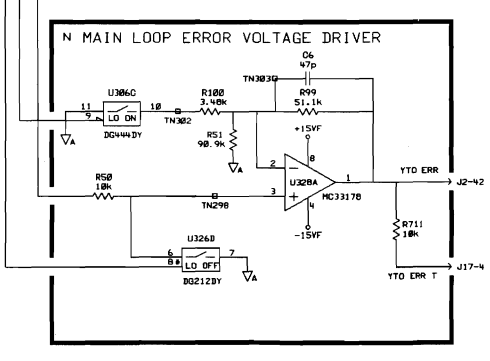
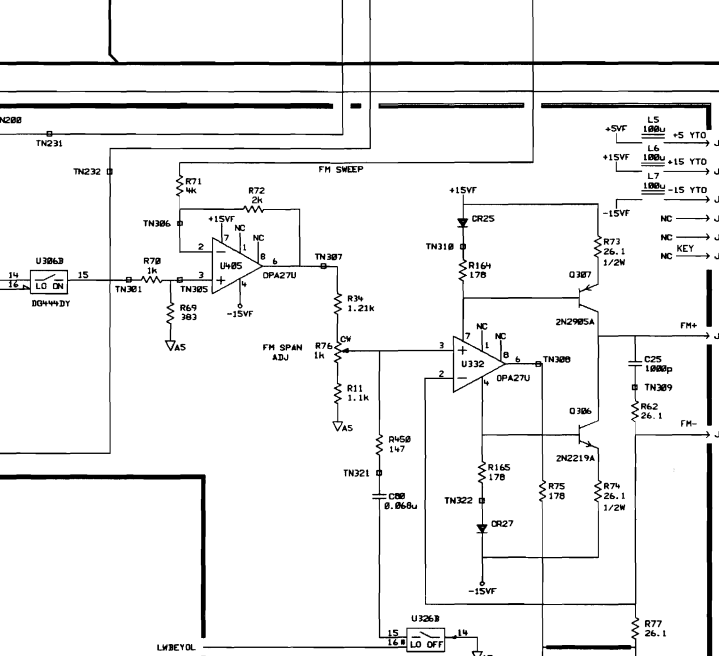
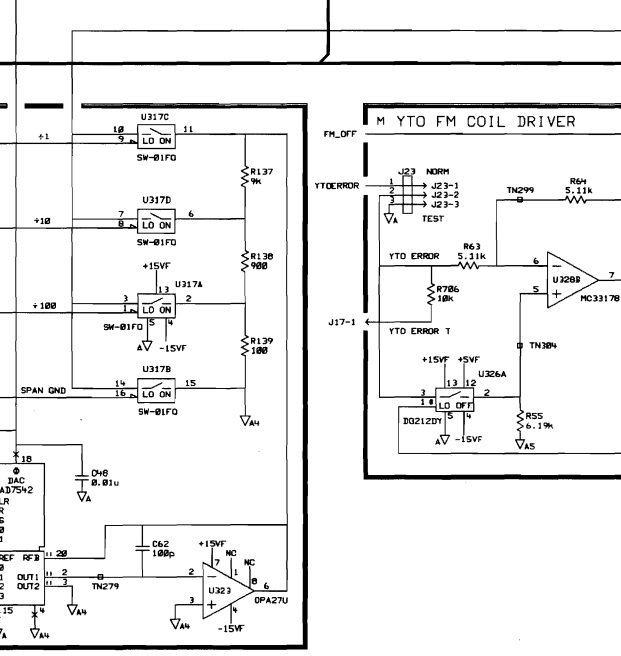
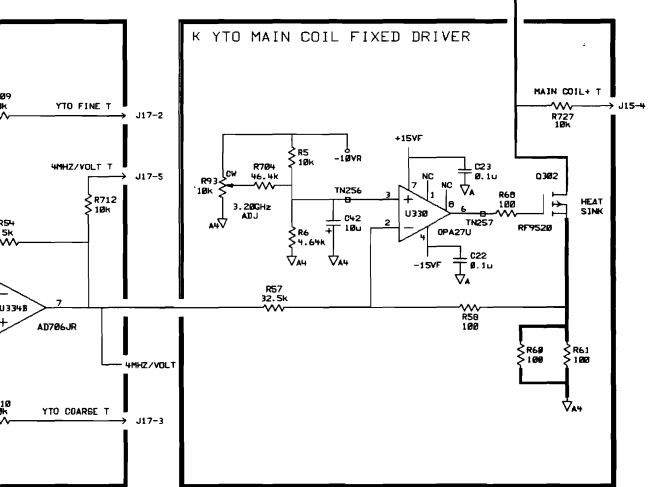
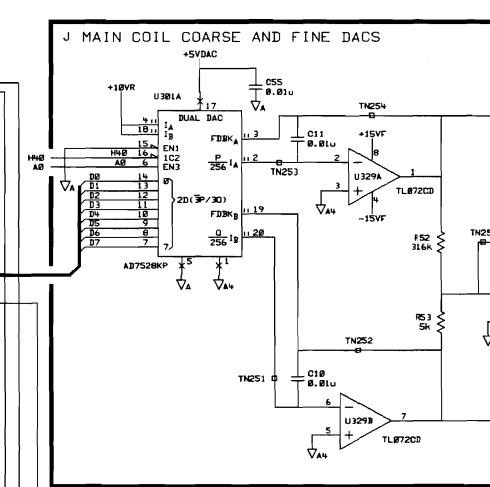
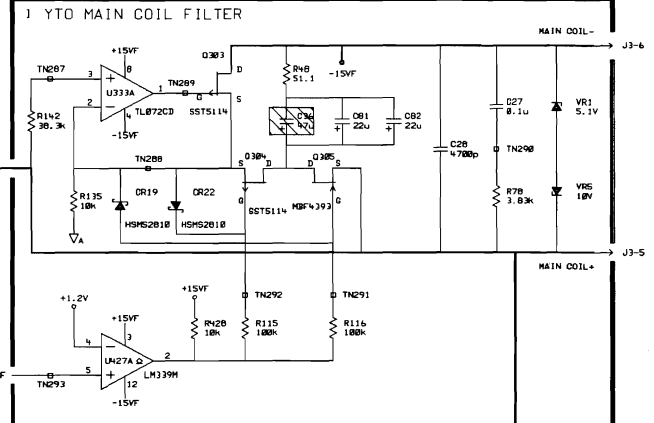
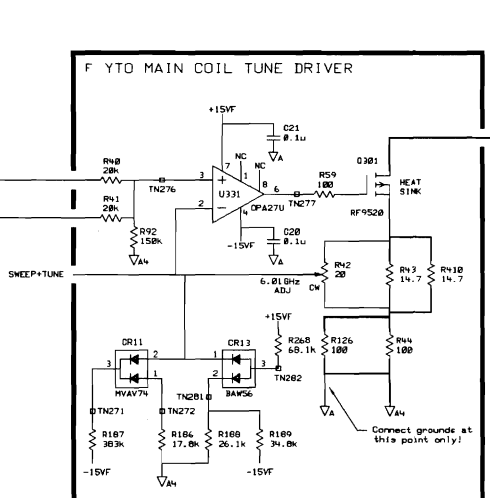
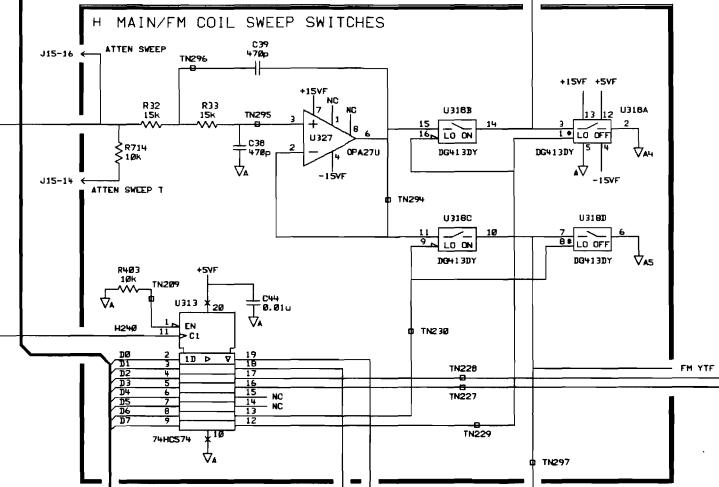
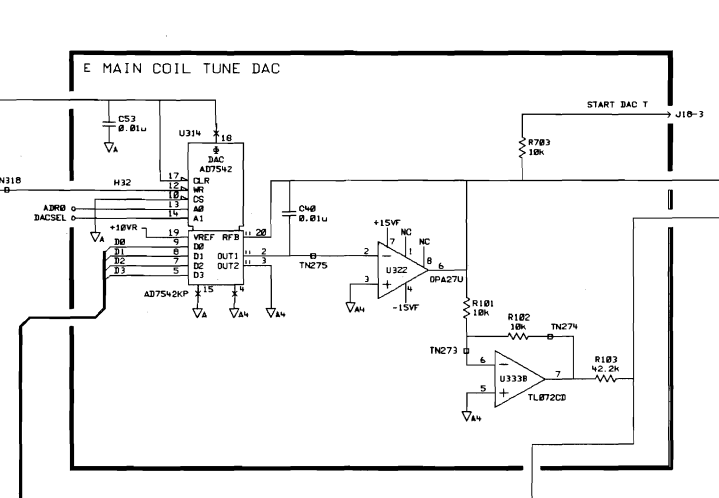
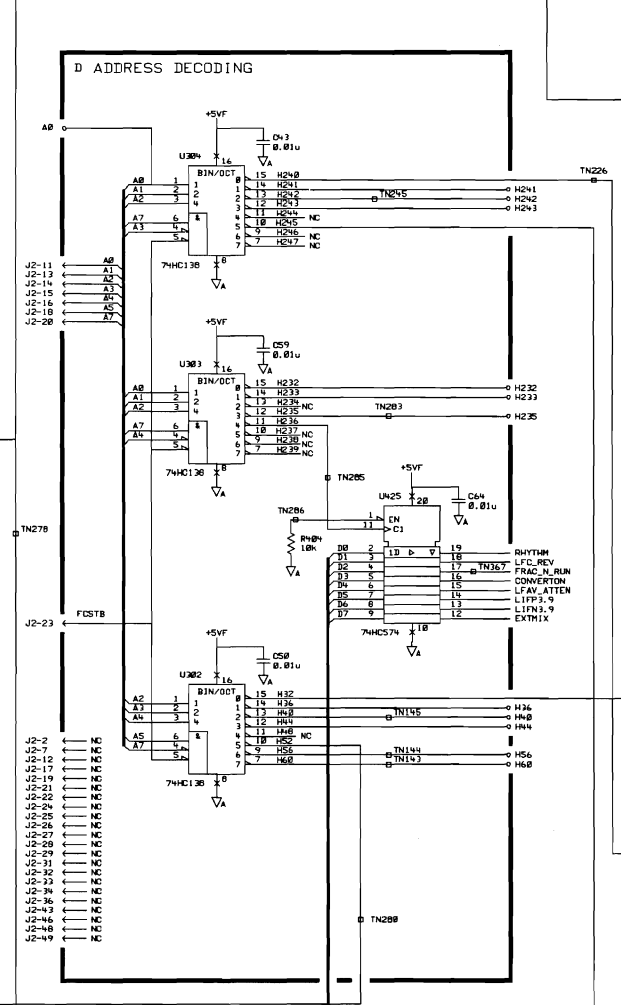
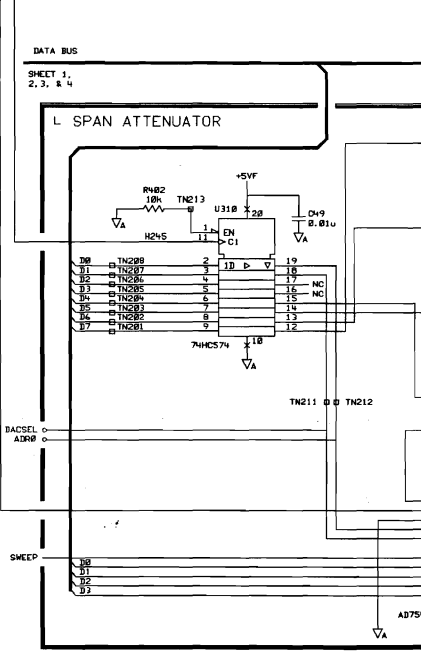
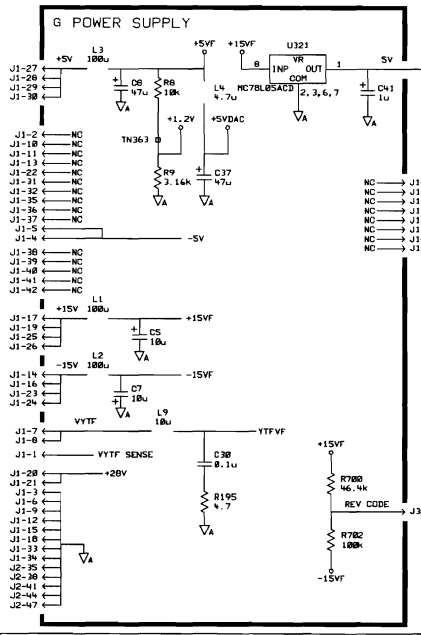
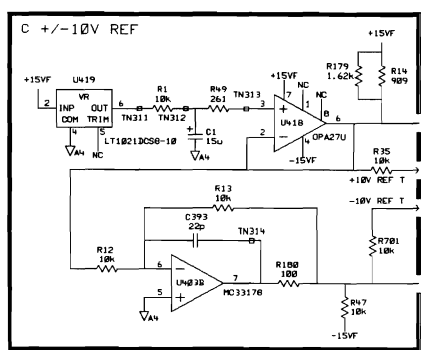
NOTE: HATCHED COMPONENTS ARE NOT LOADED FOR THIS ASSEMBLY. RAW BOARD = 08564-20014

AGILENT TECHNOLOGIES RESTRICTED. THIS DOCUMENT CONTAINS CONFIDENTIAL, PROPRIETARY INFORMATION THAT IS AGILENT TECHNOLOGIES PROPERTY. DO NOT DISCLOSE TO OR DUPLICATE FOR OTHERS EXCEPT AS AUTHORIZED BY AGILENT TECHNOLOGIES.

Table with columns: DRAWN BY, DATE, ENGINEER/CHECKER, DATE, RELEASE TO PROD., DATE, SUPERSEDES DWG.

Table with columns: Schematic, PWA, FREQ CONTROL, FILENAME, SCALE, SHEET 1 OF 5, PART NUMBER, TITLE.

S300	CA 3423	08564-60029-1
SYM	REVISIONS	APPROVED
A	AS ISSUED PER PCO#5300-11897	DATE
B	CH PER PCO 53-12859/13170 /KV	3-3-98
C	CHANGED PER PCO 53-13593 /GH	02-11-99
		04-19-99

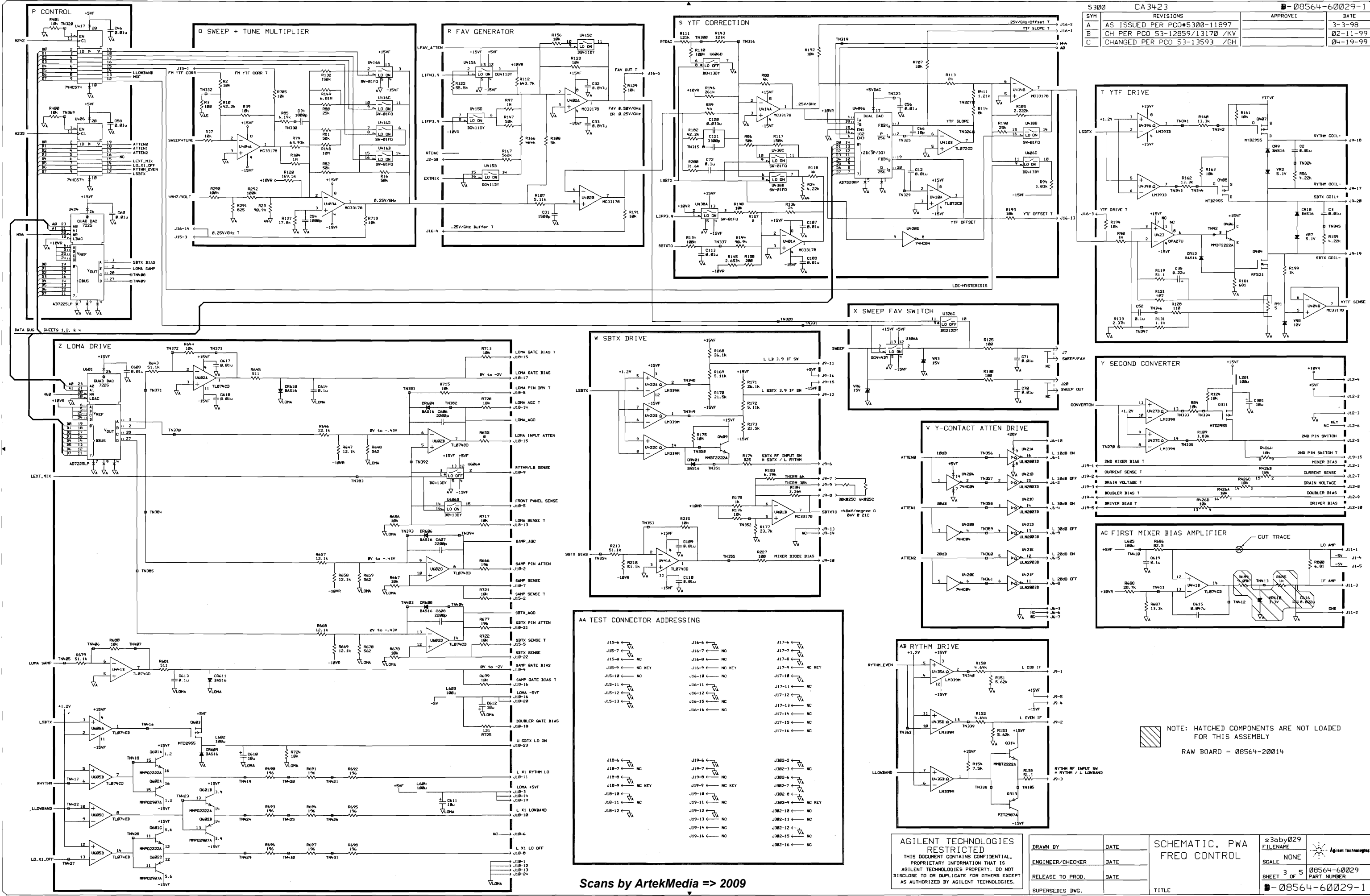


NOTE: HATCHED COMPONENTS ARE NOT LOADED FOR THIS ASSEMBLY.
RAW BOARD = 08564-20014

AGILENT TECHNOLOGIES
RESTRICTED
THIS DOCUMENT CONTAINS CONFIDENTIAL,
PROPRIETARY INFORMATION THAT IS
AGILENT TECHNOLOGIES PROPERTY. DO NOT
DISCLOSE TO OR DUPLICATE FOR OTHERS EXCEPT
AS AUTHORIZED BY AGILENT TECHNOLOGIES.

DRAWN BY	DATE
ENGINEER/CHECKER	DATE
RELEASE TO PROD.	DATE
SUPERSEDES DWG.	

SCHEMATIC, PWA FREQ CONTROL	s2aby029 FILENAME
	SCALE NONE
	SHEET 2 OF 5
	08564-60029 PART NUMBER
	08564-60029-1



AA TEST CONNECTOR ADDRESSING

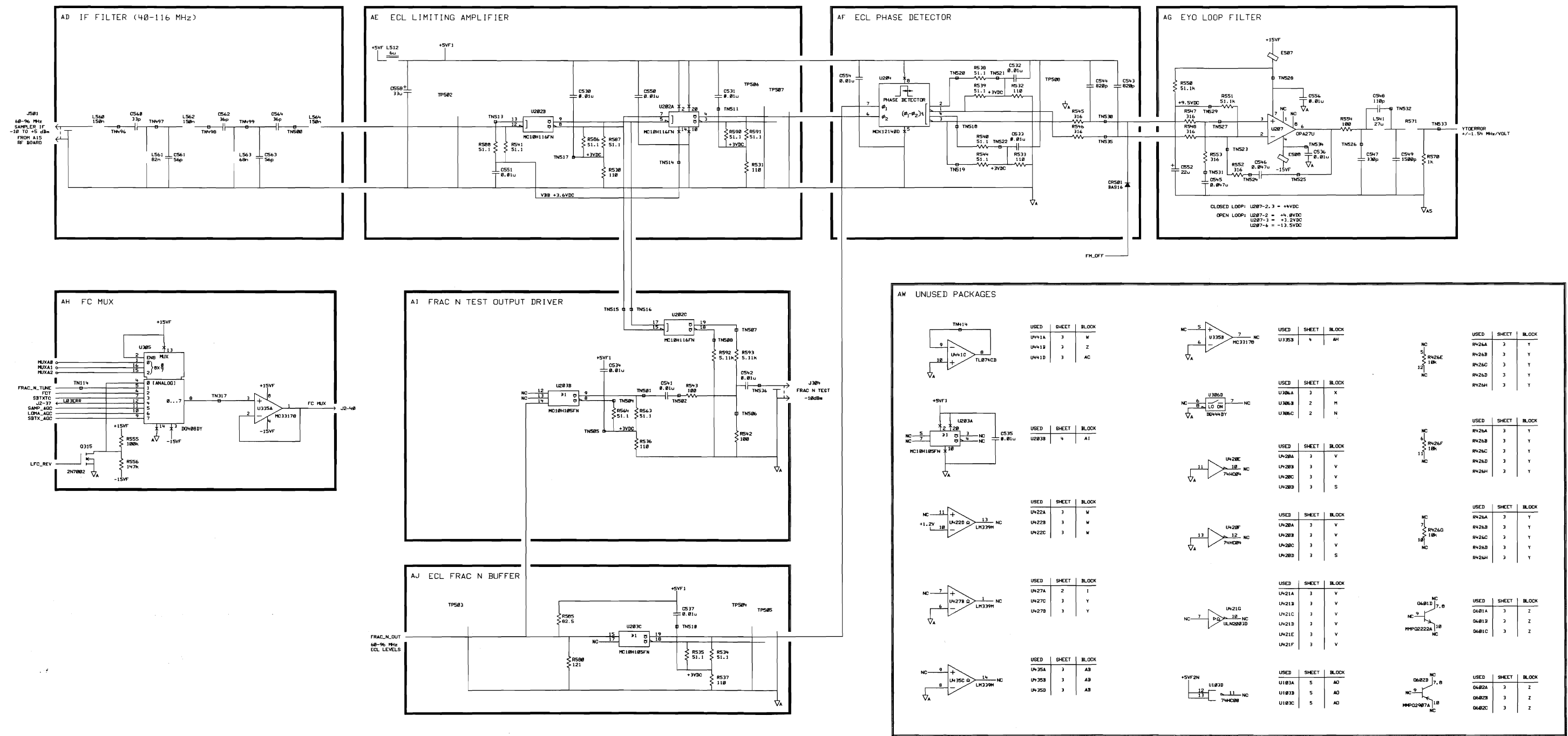
J15-4	VA	J16-4	VA	J17-4	VA
J15-7	NC	J16-7	NC	J17-7	VA
J15-8	NC	J16-8	NC	J17-8	VA
J15-9	NC KEY	J16-9	NC KEY	J17-9	NC KEY
J15-10	NC	J16-10	NC	J17-10	NC
J15-11	VA	J16-11	VA	J17-11	NC
J15-12	VA	J16-12	VA	J17-12	VA
J15-13	VA	J16-13	VA	J17-13	NC
J15-14	NC	J16-14	NC	J17-14	NC
J15-15	NC	J16-15	NC	J17-15	NC
J15-16	NC	J16-16	NC	J17-16	NC
J18-4	VA	J19-4	VA	J20-2	VA
J18-7	NC	J19-7	NC	J20-3	NC
J18-8	NC	J19-8	NC	J20-4	VA
J18-9	NC KEY	J19-9	NC KEY	J20-5	VA
J18-10	NC	J19-10	NC	J20-6	VA
J18-11	NC	J19-11	NC	J20-7	NC KEY
J18-12	NC	J19-12	NC	J20-8	VA
J18-13	NC	J19-13	NC	J20-9	NC KEY
J18-14	NC	J19-14	NC	J20-10	VA
J18-15	NC	J19-15	NC	J20-11	NC
J18-16	NC	J19-16	NC	J20-12	VA
J18-17	NC	J19-17	NC	J20-13	NC
J18-18	NC	J19-18	NC	J20-14	VA
J18-19	NC	J19-19	NC	J20-15	NC
J18-20	NC	J19-20	NC	J20-16	VA

AGILENT TECHNOLOGIES
RESTRICTED
THIS DOCUMENT CONTAINS CONFIDENTIAL,
PROPRIETARY INFORMATION THAT IS
AGILENT TECHNOLOGIES PROPERTY. DO NOT
DISCLOSE TO OR DUPLICATE FOR OTHERS EXCEPT
AS AUTHORIZED BY AGILENT TECHNOLOGIES.

DRAWN BY: _____ DATE: _____
ENGINEER/CHECKER: _____ DATE: _____
RELEASE TO PROD. DATE: _____
SUPERSEDES DNG.

SCHEMATIC, PWA
FREQ CONTROL
s3aby029
FILENAME
SCALE NONE
SHEET 3 OF 5
08564-60029
PART NUMBER
08564-60029-1

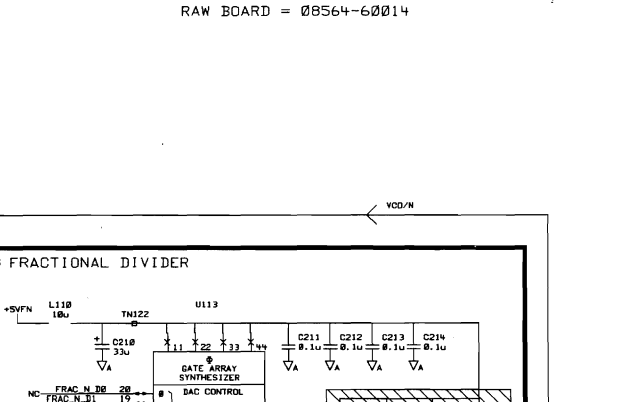
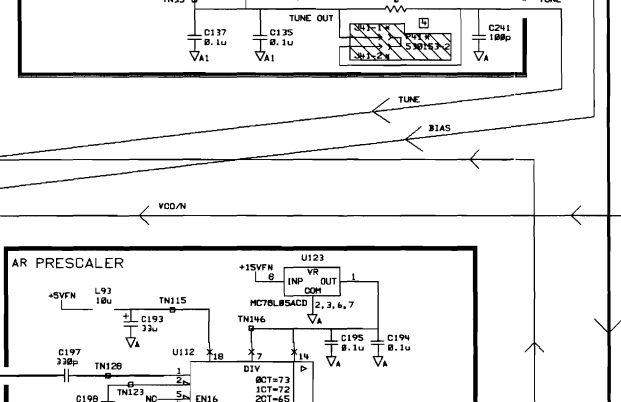
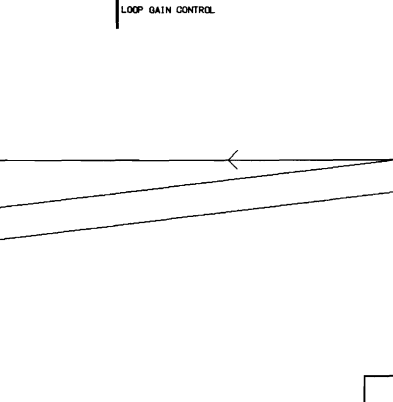
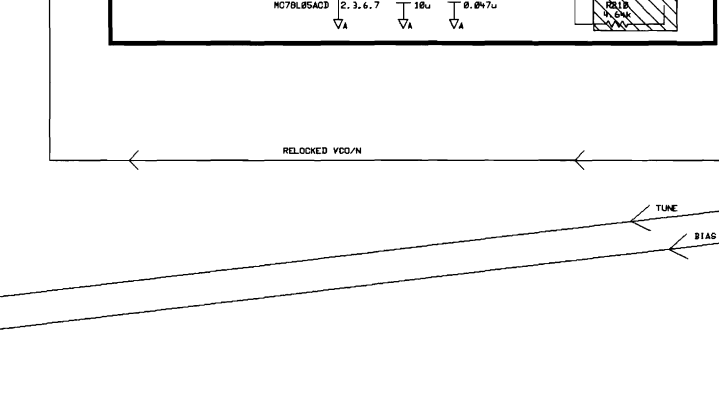
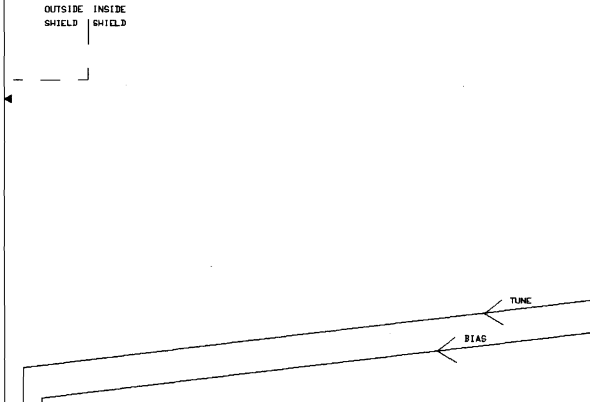
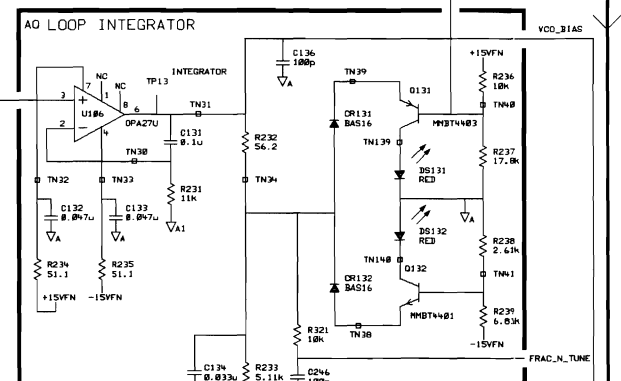
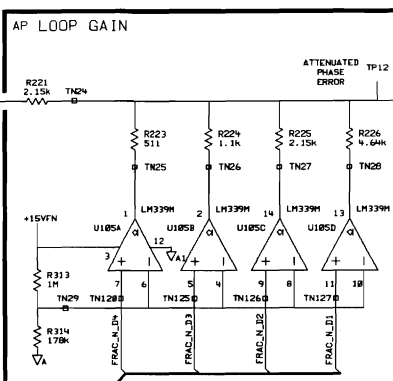
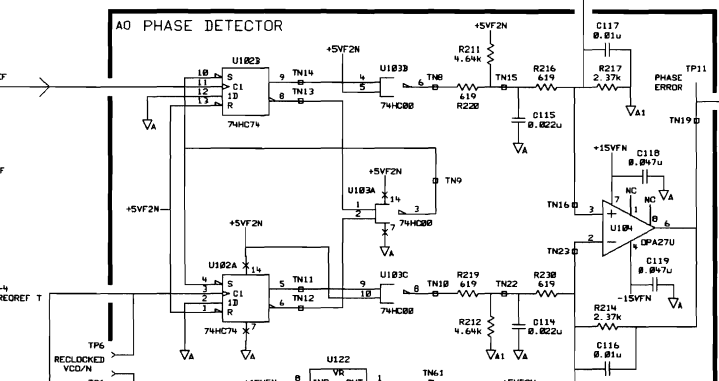
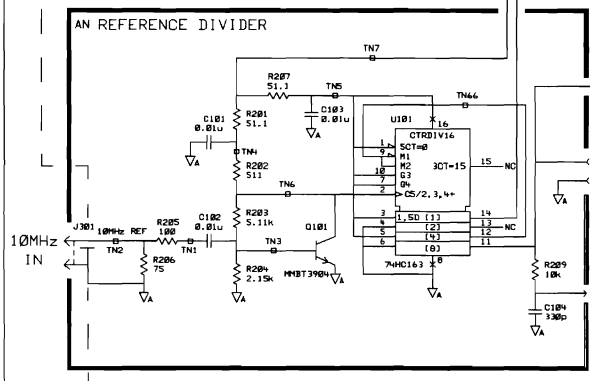
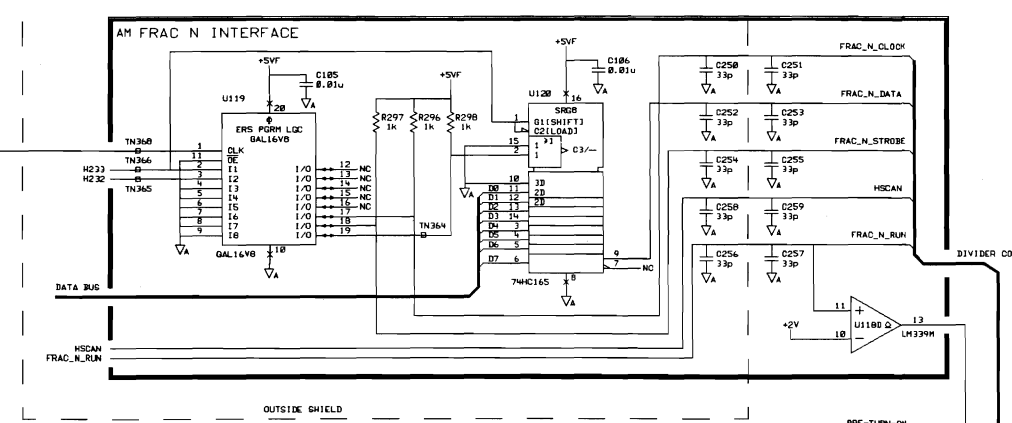
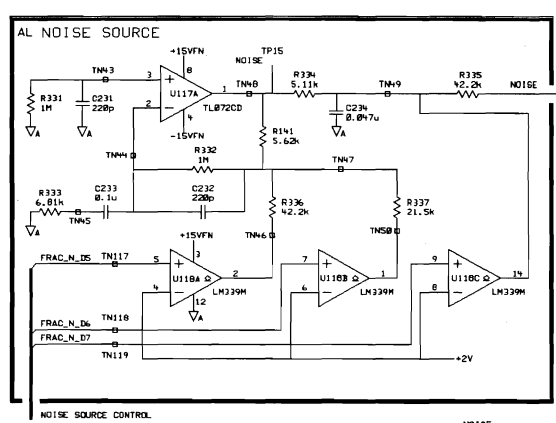
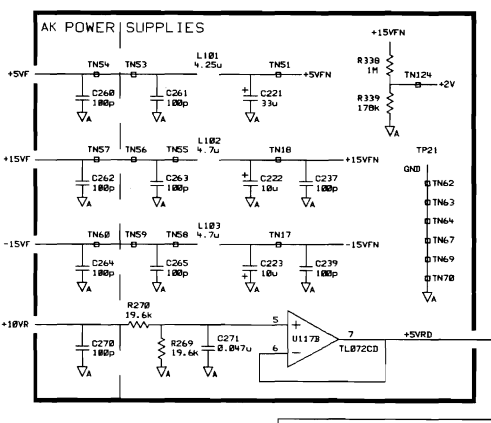
NOTE: HATCHED COMPONENTS ARE NOT LOADED FOR THIS ASSEMBLY
RAW BOARD = 08564-20014



NOTE: HATCHED COMPONENTS ARE NOT LOADED FOR THIS ASSEMBLY
 RAW BOARD = 08564-20014

AGILENT TECHNOLOGIES
 RESTRICTED
 THIS DOCUMENT CONTAINS CONFIDENTIAL, PROPRIETARY INFORMATION THAT IS AGILENT TECHNOLOGIES PROPERTY. DO NOT DISCLOSE TO OR DUPLICATE FOR OTHERS EXCEPT AS AUTHORIZED BY AGILENT TECHNOLOGIES.

DRAWN BY	DATE	SCHEMATIC, PWA FREQ CONTROL	s4aby029 FILENAME	Agilent Technologies
ENGINEER/CHECKER	DATE			
RELEASE TO PROD.	DATE			
SUPERSEDES DWG.				
TITLE		SCALE	NONE	
		SHEET	4	08564-60029
		OF	5	PART NUMBER
		08564-60029-1		

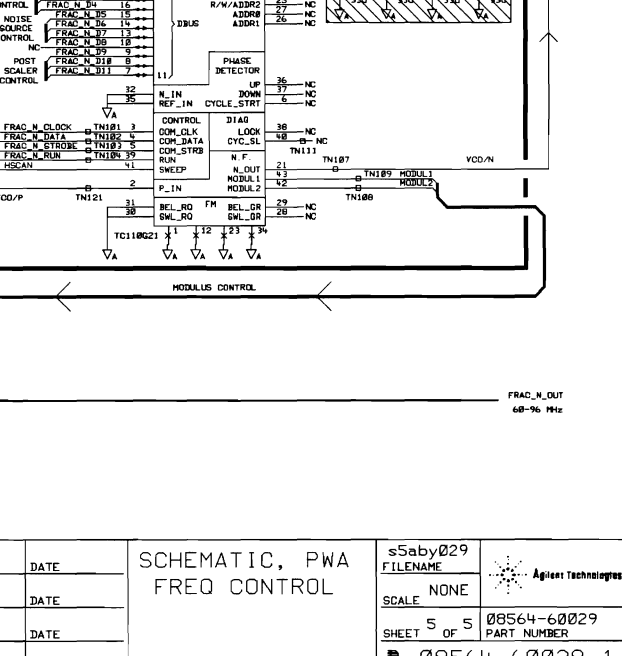
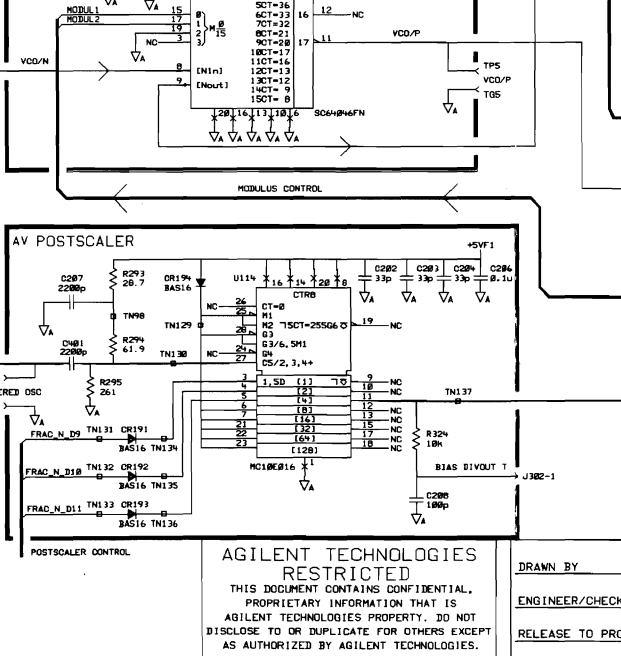
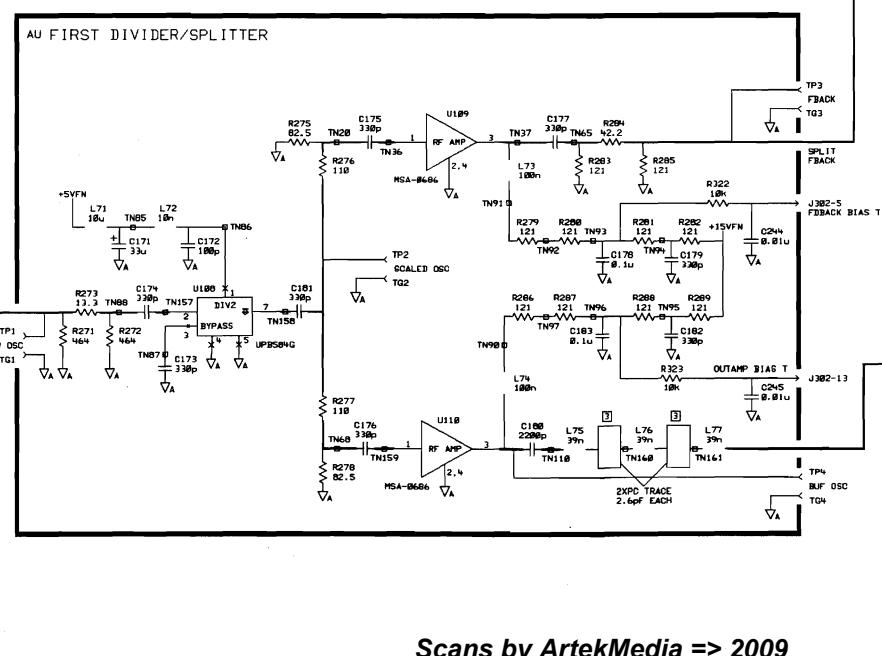
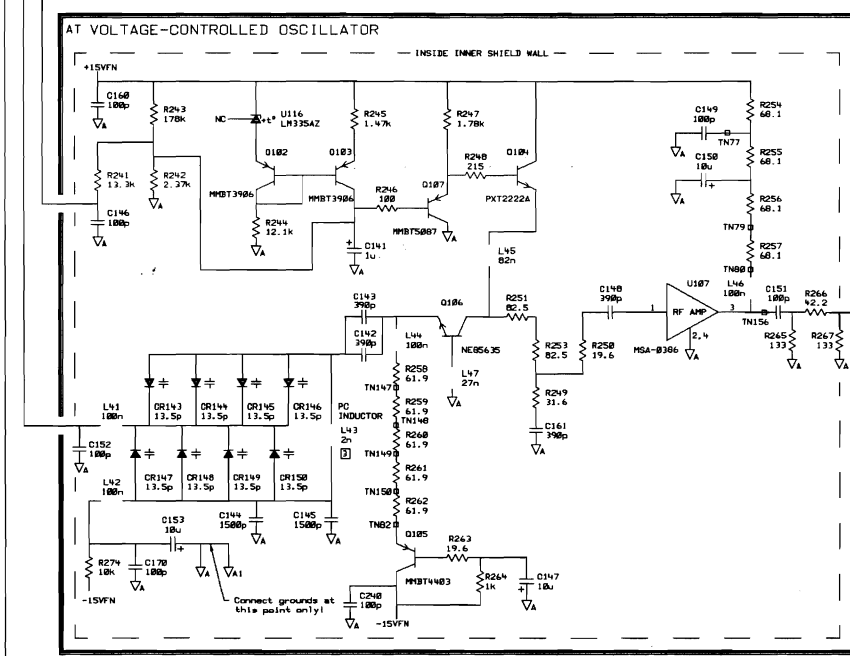


NOTES:

- REFERENCE DESIGNATORS WITHIN THIS ASSEMBLY ARE ABBREVIATED. PREFIX ABBREVIATION WITH ASSEMBLY NUMBER FOR COMPLETE REFERENCE DESIGNATOR.
- UNLESS OTHERWISE INDICATED: RESISTANCE IN OHMS (Ω) CAPACITANCE IN FARADS (F) INDUCTANCE IN HENRIES (H)
- THESE ARE PCB TRACES
- = FACTORY SELECT. BOARD MAY BE LOADED WITH ONLY R246, OR BOTH J1 AND P11, OR ALL THREE

NOTE: HATCHED COMPONENTS ARE NOT LOADED FOR THIS ASSEMBLY

RAW BOARD = 08564-60014



Component-Level Information Packet for 08563-60132

Radio Frequency



**HP Part No. 08563-90199
Printed in USA June 2000**

Notice. The information contained in this document is subject to change without notice.

Hewlett-Packard makes no warranty of any kind with regard to this material, including, but not limited to, the implied warranties of merchantability and fitness for a particular purpose. Hewlett-Packard shall not be liable for errors contained herein or for incidental or consequential damages in connection with the furnishing, performance, or use of this material.

©Copyright Hewlett-Packard Company 1990, 1991, 1992, 1993, 1994, 1995, 1996
All Rights Reserved. Reproduction, adaptation, or translation without prior written permission is prohibited, except as allowed under the copyright laws.

HP Part Number 08563-60132
Radio Frequency

Reference Designator	HP Part Number	Qty	Description	Mfr Code	Mfr Part Number
C100	0121-0061	1	CAP-VAR 18pF 5.5pF 350 V CER	09538	538-016 A 5.5-18
C101	0160-4383	1	CAP-FXD 6.8pF +7.35% 200 V CER C0G	06352	FD12C0G2D6R8D
C102	0180-4287	1	CAP-FXD 10uF +20% 35 V TA	02010	TAJD106M035
C103	0180-4287	1	CAP-FXD 10uF +20% 35 V TA	02010	TAJD106M035
C104	0160-3879	1	CAP-FXD 0.01uF +20% 100 V CER X7R	06352	FD12X7R2A103M
C105	0160-3879	1	CAP-FXD 0.01uF +20% 100 V CER X7R	06352	FD12X7R2A103M
C106	0160-3879	1	CAP-FXD 0.01uF +20% 100 V CER X7R	06352	FD12X7R2A103M
C107	0160-4040	1	CAP-FXD 1000pF +5% 100 V CER C0G	06352	FD12C0G2A102J
C108	0160-4040	1	CAP-FXD 1000pF +5% 100 V CER C0G	06352	FD12C0G2A102J
C109	0160-4832	1	CAP-FXD 0.01uF +10% 100 V CER X7R	02010	SA101C103KAAH
C110	0160-4832	1	CAP-FXD 0.01uF +10% 100 V CER X7R	02010	SA101C103KAAH
C111	0160-4399	1	CAP-FXD 0.66pF +50% 50 V CER C0G	06352	FD12C0G1HR66C
C112	0160-4832	1	CAP-FXD 0.01uF +10% 100 V CER X7R	02010	SA101C103KAAH
C113	0160-3879	1	CAP-FXD 0.01uF +20% 100 V CER X7R	06352	FD12X7R2A103M
C114	0180-3632	1	CAP-FXD 22uF +20% 50 V AL-ELCTLT	06360	KMC50VB22RM6X11RPX
C115	0160-4040	1	CAP-FXD 1000pF +5% 100 V CER C0G	06352	FD12C0G2A102J
C116	0160-4040	1	CAP-FXD 1000pF +5% 100 V CER C0G	06352	FD12C0G2A102J
C117	0160-4040	1	CAP-FXD 1000pF +5% 100 V CER C0G	06352	FD12C0G2A102J
C119	0160-3879	1	CAP-FXD 0.01uF +20% 100 V CER X7R	06352	FD12X7R2A103M
C121	0160-4383	1	CAP-FXD 6.8pF +7.35% 200 V CER C0G	06352	FD12C0G2D6R8D
C122	0160-4084	1	CAP-FXD 0.1uF +20% 50 V CER X7R	02010	SR215C104MAAH
C123	0160-4084	1	CAP-FXD 0.1uF +20% 50 V CER X7R	02010	SR215C104MAAH
C124	0160-5945	1	CAP-FXD 0.01uF +10% 50 V CER X7R	02010	08055C103KAT A
C125	0160-5945	1	CAP-FXD 0.01uF +10% 50 V CER X7R	02010	08055C103KAT A
C150	0160-4386	1	CAP-FXD 33pF +5% 200 V CER C0G	06352	FD12COG2D330J
C151	0160-4574	1	CAP-FXD 1000pF +10% 100 V CER X7R	02010	SA101C102KAAH
C152	0160-4795	1	CAP-FXD 4.7pF +10.64% 100 V CER C0G	02010	SA102A4R7DAAH
C153	0160-4387	1	CAP-FXD 47pF +5% 200 V CER C0G	06352	FD12C0G2D470J
C154	0160-4040	1	CAP-FXD 1000pF +5% 100 V CER C0G	06352	FD12C0G2A102J
C155	0160-4524	1	CAP-FXD 24pF +5% 200 V CER C0G	06352	FD12C0G2D240J
C156	0160-4788	1	CAP-FXD 18pF +5% 100 V CER C0G	02010	SA101A180JAA
C157	0160-4526	1	CAP-FXD 42pF +5% 200 V CER C0G	06352	FD12C0G2D426J
C158	0160-4492	1	CAP-FXD 18pF +5% 200 V CER C0G	06352	FD12C0G2D180J
C159	0160-4040	1	CAP-FXD 1000pF +5% 100 V CER C0G	06352	FD12C0G2A102J
C160	0160-4766	1	CAP-FXD 30pF +5% 200 V CER C0G	06352	FD12C0G2D300J

*Indicates factory-selected value

CLIP 08563-90199 1

**HP Part Number 08563-60132
Radio Frequency (continued)**

Reference Designator	HP Part Number	Qty	Description	Mfr Code	Mfr Part Number
C161	0160-3879	1	CAP-FXD 0.01uF +-20% 100 V CER X7R	06352	FD12X7R2A103M
C170	0160-4040	1	CAP-FXD 1000pF +-5% 100 V CER C0G	06352	FD12C0G2A102J
C200	0180-3838	1	CAP-FXD 33uF +-20% 25 V AL-ELCTLT	06360	SRG25VB33RM5X7RPX
C201	0160-4835	1	CAP-FXD 0.1uF +-10% 50 V CER X7R	02010	SA105C104KAAH
C202	0160-4084	1	CAP-FXD 0.1uF +-20% 50 V CER X7R	02010	SR215C104MAAH
C203	0160-4832	1	CAP-FXD 0.01uF +-10% 100 V CER X7R	02010	SA101C103KAAH
C204	0160-4835	1	CAP-FXD 0.1uF +-10% 50 V CER X7R	02010	SA105C104KAAH
C205	0180-4003	1	CAP-FXD 10uF +-10% 25 V TA	12340	T398E106K025AS
C206	0160-4380	1	CAP-FXD 1pF +-25% 200 V CER C0G	06352	FD11C0G2D010C
C207	0160-4796	1	CAP-FXD 3.9pF +-6.4% 100 V CER C0G	02010	SA101A3R9CAAH
C208	0160-5963	1	CAP-FXD 18pF +-5% 50 V CER C0G	02010	08055A180JAT A
C209	0160-4799	1	CAP-FXD 2.2PF 100 V CER C0G	02010	MA101A2R2CAAH
C210	0121-0452	1	CAP-VAR 5.4pF 1.3pF 125 V AIR	04670	187-0103-028
C211	0160-4795	1	CAP-FXD 4.7pF +-10.64% 100 V CER C0G	02010	SA102A4R7DAAH
C212	0160-4835	1	CAP-FXD 0.1uF +-10% 50 V CER X7R	02010	SA105C104KAAH
C213	0160-3874	1	CAP-FXD 10pF +-5% 200 V CER C0G	06352	FD12C0G2D100D
C214	0160-3874	1	CAP-FXD 10pF +-5% 200 V CER C0G	06352	FD12C0G2D100D
C215	0160-4791	1	CAP-FXD 10pF +-5% 100 V CER C0G	02010	SA101A100JAA
C216	0160-4794	1	CAP-FXD 5.6pF +-8.92% 100 V CER C0G	02010	SA101A5R6DAA
C217	0160-3879	1	CAP-FXD 0.01uF +-20% 100 V CER X7R	06352	FD12X7R2A103M
C218	0160-4832	1	CAP-FXD 0.01uF +-10% 100 V CER X7R	02010	SA101C103KAAH
C219	0180-4003	1	CAP-FXD 10uF +-10% 25 V TA	12340	T398E106K025AS
C220	0160-0575	1	CAP-FXD 0.047uF +-20% 50 V CER X7R	06121	B37987-M5473-M51
C221	0160-4832	1	CAP-FXD 0.01uF +-10% 100 V CER X7R	02010	SA101C103KAAH
C222	0160-4832	1	CAP-FXD 0.01uF +-10% 100 V CER X7R	02010	SA101C103KAAH
C223	0160-4832	1	CAP-FXD 0.01uF +-10% 100 V CER X7R	02010	SA101C103KAAH
C224	0160-4835	1	CAP-FXD 0.1uF +-10% 50 V CER X7R	02010	SA105C104KAAH
C225	0180-3754	1	CAP-FXD 10uF +-20% 25 V TA	02010	TAJD106M025
C226	0160-4832	1	CAP-FXD 0.01uF +-10% 100 V CER X7R	02010	SA101C103KAAH
C227	0160-4832	1	CAP-FXD 0.01uF +-10% 100 V CER X7R	02010	SA101C103KAAH
C228	0160-4835	1	CAP-FXD 0.1uF +-10% 50 V CER X7R	02010	SA105C104KAAH
C229	0180-4003	1	CAP-FXD 10uF +-10% 25 V TA	12340	T398E106K025AS
C230	0180-4287	1	CAP-FXD 10uF +-20% 35 V TA	02010	TAJD106M035
C231	0180-4287	1	CAP-FXD 10uF +-20% 35 V TA	02010	TAJD106M035
C232	0180-3754	1	CAP-FXD 10uF +-20% 25 V TA	02010	TAJD106M025

HP Part Number 08563-60132
Radio Frequency (continued)

Reference Designator	HP Part Number	Qty	Description	Mfr Code	Mfr Part Number
C233	0160-4801	1	CAP-FXD 100pF +-5% 100 V CER C0G	02010	SA102A101JAAH
C234	0160-3879	1	CAP-FXD 0.01uF +-20% 100 V CER X7R	06352	FD12X7R2A103M
C235	0160-4793	1	CAP-FXD 6.8pF +-7.35% 100 V CER C0G	02010	SA101A6R8DAA
C236	0160-4832	1	CAP-FXD 0.01uF +-10% 100 V CER X7R	02010	SA101C103KAAH
C237	0160-4832	1	CAP-FXD 0.01uF +-10% 100 V CER X7R	02010	SA101C103KAAH
C238	0160-4521	1	CAP-FXD 12pF +-5% 200 V CER C0G	06352	FD12C0G2D120J
C239	0160-4793	1	CAP-FXD 6.8pF +-7.35% 100 V CER C0G	02010	SA101A6R8DAA
C240	0180-3838	1	CAP-FXD 33uF +-20% 25 V AL-ELCTLT	06360	SRG25VB33RM5X7RPX
C241	0160-4832	1	CAP-FXD 0.01uF +-10% 100 V CER X7R	02010	SA101C103KAAH
C242	0160-4822	1	CAP-FXD 1000pF +-5% 100 V CER C0G	02010	SA201A102JAAH
C243	0160-4040	1	CAP-FXD 1000pF +-5% 100 V CER C0G	06352	FD12C0G2A102J
C244	0160-4040	1	CAP-FXD 1000pF +-5% 100 V CER C0G	06352	FD12C0G2A102J
C245	0160-4040	1	CAP-FXD 1000pF +-5% 100 V CER C0G	06352	FD12C0G2A102J
C246	0160-4040	1	CAP-FXD 1000pF +-5% 100 V CER C0G	06352	FD12C0G2A102J
C247	0160-4822	1	CAP-FXD 1000pF +-5% 100 V CER C0G	02010	SA201A102JAAH
C248	0160-4389	1	CAP-FXD 100pF +-5% 200 V CER C0G	06352	FD12C0G2D101J
C301	0180-4287	1	CAP-FXD 10uF +-20% 35 V TA	02010	TAJD106M035
C303	0160-4832	1	CAP-FXD 0.01uF +-10% 100 V CER X7R	02010	SA101C103KAAH
C304	0160-4535	1	CAP-FXD 1uF +-10% 50 V CER X7R	02010	SR305C105KAAH
C305	0160-7736	1	CAP-FXD 1uF +-10% 16 V CER X7R	06352	C3216X7R1C105K
C307	0160-4832	1	CAP-FXD 0.01uF +-10% 100 V CER X7R	02010	SA101C103KAAH
C308	0160-4832	1	CAP-FXD 0.01uF +-10% 100 V CER X7R	02010	SA101C103KAAH
C309	0160-4535	1	CAP-FXD 1uF +-10% 50 V CER X7R	02010	SR305C105KAAH
C310	0160-7736	1	CAP-FXD 1uF +-10% 16 V CER X7R	06352	C3216X7R1C105K
C311	0160-6736	1	CAP-FXD 0.01uF +-10% 50 V CER X7R	02010	12065C103KAT A
C312	0160-6736	1	CAP-FXD 0.01uF +-10% 50 V CER X7R	02010	12065C103KAT A
C313	0160-6736	1	CAP-FXD 0.01uF +-10% 50 V CER X7R	02010	12065C103KAT A
C314	0160-6734	1	CAP-FXD 0.047uF +-10% 50 V CER X7R	02010	12065C473KAT A
C400	0160-4801	1	CAP-FXD 100pF +-5% 100 V CER C0G	02010	SA102A101JAAH
C401	0160-3879	1	CAP-FXD 0.01uF +-20% 100 V CER X7R	06352	FD12X7R2A103M
C402	0160-4832	1	CAP-FXD 0.01uF +-10% 100 V CER X7R	02010	SA101C103KAAH
C403	0160-4832	1	CAP-FXD 0.01uF +-10% 100 V CER X7R	02010	SA101C103KAAH
C404	0160-4793	1	CAP-FXD 6.8pF +-7.35% 100 V CER C0G	02010	SA101A6R8DAA
C405	0160-4801	1	CAP-FXD 100pF +-5% 100 V CER C0G	02010	SA102A101JAAH
C406	0160-4832	1	CAP-FXD 0.01uF +-10% 100 V CER X7R	02010	SA101C103KAAH

*Indicates factory-selected value

CLIP 08563-90199 3

**HP Part Number 08563-60132
Radio Frequency (continued)**

Reference Designator	HP Part Number	Qty	Description	Mfr Code	Mfr Part Number
C407	0160-4832	1	CAP-FXD 0.01uF +-10% 100 V CER X7R	02010	SA101C103KAAH
C408	0160-4801	1	CAP-FXD 100pF +-5% 100 V CER C0G	02010	SA102A101JAAH
C409	0180-4287	1	CAP-FXD 10uF +-20% 35 V TA	02010	TAJD106M035
C410	0160-7798	1	CAP-FXD 0.1uF +-10% 50 V CER X7R	06352	C2012X7R1H104K
C412	0160-7736	1	CAP-FXD 1uF +-10% 16 V CER X7R	06352	C3216X7R1C105K
C413	0160-4535	1	CAP-FXD 1uF +-10% 50 V CER X7R	02010	SR305C105KAAH
C414	0160-7736	1	CAP-FXD 1uF +-10% 16 V CER X7R	06352	C3216X7R1C105K
C415	0160-4889	1	CAP-FXD 1800pF +-10% 100 V CER C0G	02010	SR201A182KAA
C416	0160-4535	1	CAP-FXD 1uF +-10% 50 V CER X7R	02010	SR305C105KAAH
C418	0160-4535	1	CAP-FXD 1uF +-10% 50 V CER X7R	02010	SR305C105KAAH
C422	0160-4535	1	CAP-FXD 1uF +-10% 50 V CER X7R	02010	SR305C105KAAH
C424	0160-4084	1	CAP-FXD 0.1uF +-20% 50 V CER X7R	02010	SR215C104MAAH
C425	0160-4084	1	CAP-FXD 0.1uF +-20% 50 V CER X7R	02010	SR215C104MAAH
C426	0160-4084	1	CAP-FXD 0.1uF +-20% 50 V CER X7R	02010	SR215C104MAAH
C427	0160-4084	1	CAP-FXD 0.1uF +-20% 50 V CER X7R	02010	SR215C104MAAH
C428	0160-4535	1	CAP-FXD 1uF +-10% 50 V CER X7R	02010	SR305C105KAAH
C429	0160-4535	1	CAP-FXD 1uF +-10% 50 V CER X7R	02010	SR305C105KAAH
C431	0160-4084	1	CAP-FXD 0.1uF +-20% 50 V CER X7R	02010	SR215C104MAAH
C433	0160-4492	1	CAP-FXD 18pF +-5% 200 V CER C0G	06352	FD12C0G2D180J
C435	0160-4535	1	CAP-FXD 1uF +-10% 50 V CER X7R	02010	SR305C105KAAH
C436	0160-5350	1	CAP-FXD 300pF +-5% 100 V CER C0G	02010	SA101A301JAAH
C437	0160-4808	1	CAP-FXD 470pF +-5% 100 V CER C0G	02010	SA101A471JAAH
C439	0160-4084	1	CAP-FXD 0.1uF +-20% 50 V CER X7R	02010	SR215C104MAAH
C441	0160-0574	1	CAP-FXD 0.022uF +-20% 100 V CER X7R	06352	FD12X7R2A223M
C443	0160-3879	1	CAP-FXD 0.01uF +-20% 100 V CER X7R	06352	FD12X7R2A103M
C444	0160-4084	1	CAP-FXD 0.1uF +-20% 50 V CER X7R	02010	SR215C104MAAH
C445	0160-5098	1	CAP-FXD 0.22uF +-10% 50 V CER X7R	02010	SA405C224KAAH
C446	0160-6585	1	CAP-FXD 1600pF +-5% 100 V CER C0G	02010	SA301A162JAA
C448	0160-6414	1	CAP-FXD 2400pF +-5% 100 V CER C0G	02010	SA301A242JAA
C451	0180-4274	1	CAP-FXD 4.7uF +-20% 50 V TA	12340	T491D475M050AS
C452	0180-4287	1	CAP-FXD 10uF +-20% 35 V TA	02010	TAJD106M035
C453	0180-4287	1	CAP-FXD 10uF +-20% 35 V TA	02010	TAJD106M035
C454	0180-3920	1	CAP-FXD 330uF +-20% 10 V AL-ELCTLT	00779	TVX1A331MAA1LS
C455	0180-3920	1	CAP-FXD 330uF +-20% 10 V AL-ELCTLT	00779	TVX1A331MAA1LS
C459	0160-4832	1	CAP-FXD 0.01uF +-10% 100 V CER X7R	02010	SA101C103KAAH

HP Part Number 08563-60132
Radio Frequency (continued)

Reference Designator	HP Part Number	Qty	Description	Mfr Code	Mfr Part Number
C460	0160-3878	1	CAP-FXD 1000pF +-20% 100 V CER X7R	06352	FD12X7R2A102M
C462	0160-4524	1	CAP-FXD 24pF +-5% 200 V CER C0G	06352	FD12C0G2D240J
C463	0160-0574	1	CAP-FXD 0.022uF +-20% 100 V CER X7R	06352	FD12X7R2A223M
C464	0160-4822	1	CAP-FXD 1000pF +-5% 100 V CER C0G	02010	SA201A102JAAH
C465	0160-4084	1	CAP-FXD 0.1uF +-20% 50 V CER X7R	02010	SR215C104MAAH
C466	0160-0574	1	CAP-FXD 0.022uF +-20% 100 V CER X7R	06352	FD12X7R2A223M
C467	0160-0574	1	CAP-FXD 0.022uF +-20% 100 V CER X7R	06352	FD12X7R2A223M
C468	0160-4084	1	CAP-FXD 0.1uF +-20% 50 V CER X7R	02010	SR215C104MAAH
C469	0160-5414	1	CAP-FXD 430pF +-5% 100 V CER C0G	02010	SA101A431JAAH
C470	0160-4084	1	CAP-FXD 0.1uF +-20% 50 V CER X7R	02010	SR215C104MAAH
C471	0160-0574	1	CAP-FXD 0.022uF +-20% 100 V CER X7R	06352	FD12X7R2A223M
C472	0160-4797	1	CAP-FXD 3.3pF +-7.58% 100 V CER C0G	02010	MA101A3R3CAA
C473	0160-4790	1	CAP-FXD 12pF +-5% 100 V CER C0G	02010	SA101A120JAA
C474	0160-4803	1	CAP-FXD 68pF +-5% 100 V CER C0G	02010	SA101A680JAA
C475	0160-4350	1	CAP-FXD 68pF +-5% 200 V CER C0G	06352	FD12C0G2D680J
C476	0160-5952	1	CAP-FXD 330pF +-5% 50 V CER C0G	02010	08055A331JAT A
C477	0160-0574	1	CAP-FXD 0.022uF +-20% 100 V CER X7R	06352	FD12X7R2A223M
C478	0160-4031	1	CAP-FXD 330pF +-5% 100 V CER C0G	06352	FD12C0G2A331J
C479	0160-4084	1	CAP-FXD 0.1uF +-20% 50 V CER X7R	02010	SR215C104MAAH
C480	0160-3879	1	CAP-FXD 0.01uF +-20% 100 V CER X7R	06352	FD12X7R2A103M
C481	0160-7798	1	CAP-FXD 0.1uF +-10% 50 V CER X7R	06352	C2012X7R1H104K
C483	0160-4040	1	CAP-FXD 1000pF +-5% 100 V CER C0G	06352	FD12C0G2A102J
C484	0160-4806	1	CAP-FXD 39pF +-5% 100 V CER C0G	02010	SA102A390JAAH
C485	0160-0575	1	CAP-FXD 0.047uF +-20% 50 V CER X7R	06121	B37987-M5473-M51
C486	0160-7736	1	CAP-FXD 1uF +-10% 16 V CER X7R	06352	C3216X7R1C105K
C487	0160-4535	1	CAP-FXD 1uF +-10% 50 V CER X7R	02010	SR305C105KAAH
C488	0160-4535	1	CAP-FXD 1uF +-10% 50 V CER X7R	02010	SR305C105KAAH
C489	0160-4535	1	CAP-FXD 1uF +-10% 50 V CER X7R	02010	SR305C105KAAH
C490	0160-4822	1	CAP-FXD 1000pF +-5% 100 V CER C0G	02010	SA201A102JAAH
C491	0180-4135	1	CAP-FXD 33uF +-10% 10 V TA	02010	TARW336K010
C492	0160-4365	1	CAP-FXD 470pF +-5% 100 V CER C0G	06352	FD12C0G2A471J
C493	0160-4535	1	CAP-FXD 1uF +-10% 50 V CER X7R	02010	SR305C105KAAH
C495	0160-4365	1	CAP-FXD 470pF +-5% 100 V CER C0G	06352	FD12C0G2A471J
C496	0160-4365	1	CAP-FXD 470pF +-5% 100 V CER C0G	06352	FD12C0G2A471J
C497	0160-4365	1	CAP-FXD 470pF +-5% 100 V CER C0G	06352	FD12C0G2A471J

*Indicates factory-selected value

**HP Part Number 08563-60132
Radio Frequency (continued)**

Reference Designator	HP Part Number	Qty	Description	Mfr Code	Mfr Part Number
C498	0180-4136	1	CAP-FXD 10uF +-10% 20 V TA	02010	TAR2106K020
C499	0160-4365	1	CAP-FXD 470pF +-5% 100 V CER C0G	06352	FD12C0G2A471J
C501	0160-7867	1	CAP-FXD 6.8pF +-3.68% 50 V CER C0G	02010	06035A6R8CAT
C502	0180-3754	1	CAP-FXD 10uF +-20% 25 V TA	02010	TAJD106M025
C503	0160-7751	1	CAP-FXD 0.01uF +-10% 50 V CER X7R	02010	06035C103KAT
C504	0160-7751	1	CAP-FXD 0.01uF +-10% 50 V CER X7R	02010	06035C103KAT
C505	0160-5967	1	CAP-FXD 100pF +-5% 50 V CER C0G	06352	C2012COG1H101J
C508	0160-5967	1	CAP-FXD 100pF +-5% 50 V CER C0G	06352	C2012COG1H101J
C509	0160-7861	1	CAP-FXD 47pF +-5% 50 V CER C0G	02010	06035A470JAT
C510	0160-4832	1	CAP-FXD 0.01uF +-10% 100 V CER X7R	02010	SA101C103KAAH
C511	0160-7841	1	CAP-FXD 15pF +-5% 50 V CER C0G	02010	06035A150JAT
C512	0160-7751	1	CAP-FXD 0.01uF +-10% 50 V CER X7R	02010	06035C103KAT
C513	0160-4832	1	CAP-FXD 0.01uF +-10% 100 V CER X7R	02010	SA101C103KAAH
C514	0160-4791	1	CAP-FXD 10pF +-5% 100 V CER C0G	02010	SA101A100JAA
C515	0160-7405	1	CAP-FXD 560pF +-5% 50 V CER C0G	06352	C2012C0G1H561J
C516	0160-4832	1	CAP-FXD 0.01uF +-10% 100 V CER X7R	02010	SA101C103KAAH
C517	0160-4832	1	CAP-FXD 0.01uF +-10% 100 V CER X7R	02010	SA101C103KAAH
C518	0160-4789	1	CAP-FXD 15pF +-5% 100 V CER C0G	02010	SA101A150JAA
C520	0160-4789	1	CAP-FXD 15pF +-5% 100 V CER C0G	02010	SA101A150JAA
C521	0160-4789	1	CAP-FXD 15pF +-5% 100 V CER C0G	02010	SA101A150JAA
C522	0160-4791	1	CAP-FXD 10pF +-5% 100 V CER C0G	02010	SA101A100JAA
C523	0160-4791	1	CAP-FXD 10pF +-5% 100 V CER C0G	02010	SA101A100JAA
C524	0160-4803	1	CAP-FXD 68pF +-5% 100 V CER C0G	02010	SA101A680JAA
C525	0160-4790	1	CAP-FXD 12pF +-5% 100 V CER C0G	02010	SA101A120JAA
C526	0160-4789	1	CAP-FXD 15pF +-5% 100 V CER C0G	02010	SA101A150JAA
C527	0160-4792	1	CAP-FXD 8.2pF +-6.1% 100 V CER C0G	02010	SA101A8R2DAA
C528	0160-4810	1	CAP-FXD 330pF +-5% 100 V CER C0G	02010	SA101A331JAAH
C529	0160-4811	1	CAP-FXD 270pF +-5% 100 V CER C0G	02010	SA101A271JAAH
C530	0160-4832	1	CAP-FXD 0.01uF +-10% 100 V CER X7R	02010	SA101C103KAAH
C531	0160-4835	1	CAP-FXD 0.1uF +-10% 50 V CER X7R	02010	SA105C104KAAH
C532	0160-4832	1	CAP-FXD 0.01uF +-10% 100 V CER X7R	02010	SA101C103KAAH
C534	0160-4835	1	CAP-FXD 0.1uF +-10% 50 V CER X7R	02010	SA105C104KAAH
C541	0160-6222	1	CAP-FXD 0.1uF +-10% 50 V CER X7R	02010	12105C104KAT A
C542	0160-6222	1	CAP-FXD 0.1uF +-10% 50 V CER X7R	02010	12105C104KAT A
C543	0160-6222	1	CAP-FXD 0.1uF +-10% 50 V CER X7R	02010	12105C104KAT A

HP Part Number 08563-60132
Radio Frequency (continued)

Reference Designator	HP Part Number	Qty	Description	Mfr Code	Mfr Part Number
C544	0160-6222	1	CAP-FXD 0.1uF +-10% 50 V CER X7R	02010	12105C104KAT A
C545	0160-6222	1	CAP-FXD 0.1uF +-10% 50 V CER X7R	02010	12105C104KAT A
C546	0160-6222	1	CAP-FXD 0.1uF +-10% 50 V CER X7R	02010	12105C104KAT A
C547	0160-6222	1	CAP-FXD 0.1uF +-10% 50 V CER X7R	02010	12105C104KAT A
C548	0160-6222	1	CAP-FXD 0.1uF +-10% 50 V CER X7R	02010	12105C104KAT A
C549	0160-6222	1	CAP-FXD 0.1uF +-10% 50 V CER X7R	02010	12105C104KAT A
C550	0180-4287	1	CAP-FXD 10uF +-20% 35 V TA	02010	TAJD106M035
C553	0180-4287	1	CAP-FXD 10uF +-20% 35 V TA	02010	TAJD106M035
C555	0160-4790	1	CAP-FXD 12pF +-5% 100 V CER C0G	02010	SA101A120JAA
C556	0160-4793	1	CAP-FXD 6.8pF +-7.35% 100 V CER C0G	02010	SA101A6R8DAA
C560	0160-6734	1	CAP-FXD 0.047uF +-10% 50 V CER X7R	02010	12065C473KAT A
C561	0160-6734	1	CAP-FXD 0.047uF +-10% 50 V CER X7R	02010	12065C473KAT A
C562	0160-6734	1	CAP-FXD 0.047uF +-10% 50 V CER X7R	02010	12065C473KAT A
C563	0160-6734	1	CAP-FXD 0.047uF +-10% 50 V CER X7R	02010	12065C473KAT A
C564	0160-6734	1	CAP-FXD 0.047uF +-10% 50 V CER X7R	02010	12065C473KAT A
C565	0160-6734	1	CAP-FXD 0.047uF +-10% 50 V CER X7R	02010	12065C473KAT A
C566	0160-6100	1	CAP-FXD 1000pF +-5% 50 V CER C0G	02010	12065A102JAT A
C567	0160-5968	1	CAP-FXD 82pF +-5% 50 V CER C0G	02010	08051A820JAT A
C568	0160-5952	1	CAP-FXD 330pF +-5% 50 V CER C0G	02010	08055A331JAT A
C569	0160-5942	1	CAP-FXD 1pF +-25% 50 V CER C0G	02010	08051A1R0CAT A
C570	0160-7256	1	CAP-FXD 9pF +-2.78% 50 V CER C0G	02010	08055A9ROCAT-A
C571	0160-7377	1	CAP-FXD 30pF +-5% 50 V CER C0G	06352	C2012C0G1H300JT
C572	0160-5952	1	CAP-FXD 330pF +-5% 50 V CER C0G	02010	08055A331JAT A
C573	0160-6222	1	CAP-FXD 0.1uF +-10% 50 V CER X7R	02010	12105C104KAT A
C574	0160-6222	1	CAP-FXD 0.1uF +-10% 50 V CER X7R	02010	12105C104KAT A
C575	0160-6222	1	CAP-FXD 0.1uF +-10% 50 V CER X7R	02010	12105C104KAT A
C580	0160-6222	1	CAP-FXD 0.1uF +-10% 50 V CER X7R	02010	12105C104KAT A
C581	0160-6222	1	CAP-FXD 0.1uF +-10% 50 V CER X7R	02010	12105C104KAT A
C582	0160-6222	1	CAP-FXD 0.1uF +-10% 50 V CER X7R	02010	12105C104KAT A
C590	0160-5963	1	CAP-FXD 18pF +-5% 50 V CER C0G	02010	08055A180JAT A
C591	0160-5967	1	CAP-FXD 100pF +-5% 50 V CER C0G	06352	C2012COG1H101J
C592	0160-7333	1	CAP-FXD 0.068uF +-10% 50 V CER X7R	06352	C3216X7R1H683KT
C600	0160-7217	1	CAP-FXD 20pF +-5% 50 V CER C0G	06352	C2012C0G1H200JT
C615	0160-5952	1	CAP-FXD 330pF +-5% 50 V CER C0G	02010	08055A331JAT A
C616	0160-5952	1	CAP-FXD 330pF +-5% 50 V CER C0G	02010	08055A331JAT A

*Indicates factory-selected value

**HP Part Number 08563-60132
Radio Frequency (continued)**

Reference Designator	HP Part Number	Qty	Description	Mfr Code	Mfr Part Number
C623	0160-7333	1	CAP-FXD 0.068uF +-10% 50 V CER X7R	06352	C3216X7R1H683KT
C624	0160-5952	1	CAP-FXD 330pF +-5% 50 V CER C0G	02010	08055A331JAT A
C625	0180-4287	1	CAP-FXD 10uF +-20% 35 V TA	02010	TAJD106M035
C632	0160-6736	1	CAP-FXD 0.01uF +-10% 50 V CER X7R	02010	12065C103KAT A
C633	0160-6736	1	CAP-FXD 0.01uF +-10% 50 V CER X7R	02010	12065C103KAT A
C634	0160-5952	1	CAP-FXD 330pF +-5% 50 V CER C0G	02010	08055A331JAT A
C635	0160-7217	1	CAP-FXD 20pF +-5% 50 V CER C0G	06352	C2012C0G1H200JT
C636	0160-5959	1	CAP-FXD 33pF +-5% 50 V CER C0G	02010	08055A330JAT A
C637	0160-5952	1	CAP-FXD 330pF +-5% 50 V CER C0G	02010	08055A331JAT A
C638	0160-5979	1	CAP-FXD 1.5pF +-16.67% 50 V CER C0G	00939	GRM40-001COG1R5C050
C640	0160-7389	1	CAP-FXD 300pF +-5% 50 V CER C0G	06352	C2012C0G1H301JT
C641	0160-7385	1	CAP-FXD 130pF +-5% 50 V CER C0G	06352	C2012C0G1H131JT
C642	0160-6099	1	CAP-FXD 820pF +-5% 50 V CER C0G	02010	12065A821JAT A
C643	0160-7385	1	CAP-FXD 130pF +-5% 50 V CER C0G	06352	C2012C0G1H131JT
C644	0160-7389	1	CAP-FXD 300pF +-5% 50 V CER C0G	06352	C2012C0G1H301JT
C645	0160-6736	1	CAP-FXD 0.01uF +-10% 50 V CER X7R	02010	12065C103KAT A
C646	0160-6736	1	CAP-FXD 0.01uF +-10% 50 V CER X7R	02010	12065C103KAT A
C647	0160-6736	1	CAP-FXD 0.01uF +-10% 50 V CER X7R	02010	12065C103KAT A
C648	0160-6736	1	CAP-FXD 0.01uF +-10% 50 V CER X7R	02010	12065C103KAT A
C649	0160-6736	1	CAP-FXD 0.01uF +-10% 50 V CER X7R	02010	12065C103KAT A
C650	0160-6100	1	CAP-FXD 1000pF +-5% 50 V CER C0G	02010	12065A102JAT A
C651	0160-6100	1	CAP-FXD 1000pF +-5% 50 V CER C0G	02010	12065A102JAT A
C653	0160-6736	1	CAP-FXD 0.01uF +-10% 50 V CER X7R	02010	12065C103KAT A
C654	0160-6100	1	CAP-FXD 1000pF +-5% 50 V CER C0G	02010	12065A102JAT A
C656	0160-6100	1	CAP-FXD 1000pF +-5% 50 V CER C0G	02010	12065A102JAT A
C657	0160-6736	1	CAP-FXD 0.01uF +-10% 50 V CER X7R	02010	12065C103KAT A
C658	0160-6736	1	CAP-FXD 0.01uF +-10% 50 V CER X7R	02010	12065C103KAT A
C659	0160-6736	1	CAP-FXD 0.01uF +-10% 50 V CER X7R	02010	12065C103KAT A
C662	0160-5942	1	CAP-FXD 1pF +-25% 50 V CER C0G	02010	08051A1R0CAT A
C663	0160-6736	1	CAP-FXD 0.01uF +-10% 50 V CER X7R	02010	12065C103KAT A
C664	0160-5974	1	CAP-FXD 8.2pF +-6.1% 50 V CER C0G	02010	08051A8R2DAT A
C665	0160-5973	1	CAP-FXD 6.8pF 50 V CER C0G	06352	C2012COG1H6R8D
C700	0160-6734	1	CAP-FXD 0.047uF +-10% 50 V CER X7R	02010	12065C473KAT A
C701	0180-4116	1	CAP-FXD 22uF +-20% 20 V TA	02010	TAJD226M020
C702	0160-8204	1	CAP-FXD 1uF +-10% 50 V CER X7R	02010	18125C105KAT

HP Part Number 08563-60132
Radio Frequency (continued)

Reference Designator	HP Part Number	Qty	Description	Mfr Code	Mfr Part Number
C703	0160-6734	1	CAP-FXD 0.047uF +-10% 50 V CER X7R	02010	12065C473KAT A
C704	0160-6222	1	CAP-FXD 0.1uF +-10% 50 V CER X7R	02010	12105C104KAT A
C705	0160-7333	1	CAP-FXD 0.068uF +-10% 50 V CER X7R	06352	C3216X7R1H683KT
C706	0160-6734	1	CAP-FXD 0.047uF +-10% 50 V CER X7R	02010	12065C473KAT A
C707	0180-4228	1	CAP-FXD 47uF +-20% 10 V TA	02010	TAJD476M010
C708	0160-7217	1	CAP-FXD 20pF +-5% 50 V CER C0G	06352	C2012C0G1H200JT
C709	0160-7371	1	CAP-FXD 5pF +-5% 50 V CER C0G	02010	08055AR0CAT_A
C710	0160-5960	1	CAP-FXD 27pF +-5% 50 V CER C0G	02010	08055A270JAT A
C711	0160-6100	1	CAP-FXD 1000pF +-5% 50 V CER C0G	02010	12065A102JAT A
C712	0160-5952	1	CAP-FXD 330pF +-5% 50 V CER C0G	02010	08055A331JAT A
C713	0180-4116	1	CAP-FXD 22uF +-20% 20 V TA	02010	TAJD226M020
C714	0160-5952	1	CAP-FXD 330pF +-5% 50 V CER C0G	02010	08055A331JAT A
C715	0160-5974	1	CAP-FXD 8.2pF +-6.1% 50 V CER C0G	02010	08051A8R2DAT A
C716	0180-3754	1	CAP-FXD 10uF +-20% 25 V TA	02010	TAJD106M025
C717	0160-6734	1	CAP-FXD 0.047uF +-10% 50 V CER X7R	02010	12065C473KAT A
C719	0160-5960	1	CAP-FXD 27pF +-5% 50 V CER C0G	02010	08055A270JAT A
C720	0160-6734	1	CAP-FXD 0.047uF +-10% 50 V CER X7R	02010	12065C473KAT A
C721	0160-6736	1	CAP-FXD 0.01uF +-10% 50 V CER X7R	02010	12065C103KAT A
C722	0160-5942	1	CAP-FXD 1pF +-25% 50 V CER C0G	02010	08051A1R0CAT A
C723	0160-5980	1	CAP-FXD 1.8pF +-27.78% 50 V CER C0G	02010	08051A1R8DAT A
C724	0160-7374	1	CAP-FXD 13pF +-5% 50 V CER C0G	06352	C2012C0G1H130JT
C725	0160-5967	1	CAP-FXD 100pF +-5% 50 V CER C0G	06352	C2012COG1H101J
C726	0160-6734	1	CAP-FXD 0.047uF +-10% 50 V CER X7R	02010	12065C473KAT A
C727	0160-5957	1	CAP-FXD 47pF +-5% 50 V CER C0G	02010	08055A470JAT A
C728	0160-6734	1	CAP-FXD 0.047uF +-10% 50 V CER X7R	02010	12065C473KAT A
C729	0180-4116	1	CAP-FXD 22uF +-20% 20 V TA	02010	TAJD226M020
C730	0160-6734	1	CAP-FXD 0.047uF +-10% 50 V CER X7R	02010	12065C473KAT A
C731	0160-5967	1	CAP-FXD 100pF +-5% 50 V CER C0G	06352	C2012COG1H101J
C732	0180-4116	1	CAP-FXD 22uF +-20% 20 V TA	02010	TAJD226M020
C733	0160-7333	1	CAP-FXD 0.068uF +-10% 50 V CER X7R	06352	C3216X7R1H683KT
C734	0160-5967	1	CAP-FXD 100pF +-5% 50 V CER C0G	06352	C2012COG1H101J
C735	0160-5967	1	CAP-FXD 100pF +-5% 50 V CER C0G	06352	C2012COG1H101J
C736	0160-5955	1	CAP-FXD 68pF +-5% 50 V CER C0G	02010	08055A680JATRA
C737	0160-5980	1	CAP-FXD 1.8pF +-27.78% 50 V CER C0G	02010	08051A1R8DAT A
C738	0160-5967	1	CAP-FXD 100pF +-5% 50 V CER C0G	06352	C2012COG1H101J

*Indicates factory-selected value

CLIP 08563-90199 9

**HP Part Number 08563-60132
Radio Frequency (continued)**

Reference Designator	HP Part Number	Qty	Description	Mfr Code	Mfr Part Number
C740	0180-4287	1	CAP-FXD 10uF +-20% 35 V TA	02010	TAJD106M035
C741	0160-6734	1	CAP-FXD 0.047uF +-10% 50 V CER X7R	02010	12065C473KAT A
C742	0160-6734	1	CAP-FXD 0.047uF +-10% 50 V CER X7R	02010	12065C473KAT A
C743	0160-5980	1	CAP-FXD 1.8pF +-27.78% 50 V CER C0G	02010	08051A1R8DAT A
C744	0160-5942	1	CAP-FXD 1pF +-25% 50 V CER C0G	02010	08051A1R0CAT A
C745	0160-5943	1	CAP-FXD 2.7pF 50 V CER C0G	02010	08051A2R7CAT A
C746	0160-5942	1	CAP-FXD 1pF +-25% 50 V CER C0G	02010	08051A1R0CAT A
C747	0160-5980	1	CAP-FXD 1.8pF +-27.78% 50 V CER C0G	02010	08051A1R8DAT A
C748	0160-5980	1	CAP-FXD 1.8pF +-27.78% 50 V CER C0G	02010	08051A1R8DAT A
C750	0121-0452	1	CAP-VAR 5.4pF 1.3pF 125 V AIR	04670	187-0103-028
C751	0121-0452	1	CAP-VAR 5.4pF 1.3pF 125 V AIR	04670	187-0103-028
C801	0160-4574	1	CAP-FXD 1000pF +-10% 100 V CER X7R	02010	SA101C102KAAH
C802	0160-4574	1	CAP-FXD 1000pF +-10% 100 V CER X7R	02010	SA101C102KAAH
C803	0160-4574	1	CAP-FXD 1000pF +-10% 100 V CER X7R	02010	SA101C102KAAH
C804	0160-4574	1	CAP-FXD 1000pF +-10% 100 V CER X7R	02010	SA101C102KAAH
C805	0160-4835	1	CAP-FXD 0.1uF +-10% 50 V CER X7R	02010	SA105C104KAAH
C806	0160-4835	1	CAP-FXD 0.1uF +-10% 50 V CER X7R	02010	SA105C104KAAH
C807	0160-4574	1	CAP-FXD 1000pF +-10% 100 V CER X7R	02010	SA101C102KAAH
C808	0180-4287	1	CAP-FXD 10uF +-20% 35 V TA	02010	TAJD106M035
C809	0160-7381	1	CAP-FXD 36pF +-5% 50 V CER C0G	06352	C2012C0G1H360JT
C810	0160-4387	1	CAP-FXD 47pF +-5% 200 V CER C0G	06352	FD12C0G2D470J
C811	0160-6100	1	CAP-FXD 1000pF +-5% 50 V CER C0G	02010	12065A102JAT A
C813	0160-6100	1	CAP-FXD 1000pF +-5% 50 V CER C0G	02010	12065A102JAT A
C814	0160-5947	1	CAP-FXD 1000pF +-10% 50 V CER X7R	02010	08055C102KAT A
C815	0160-5973	1	CAP-FXD 6.8pF 50 V CER C0G	06352	C2012COG1H6R8D
C816	0160-5952	1	CAP-FXD 330pF +-5% 50 V CER C0G	02010	08055A331JAT A
C817	0160-5947	1	CAP-FXD 1000pF +-10% 50 V CER X7R	02010	08055C102KAT A
C818	0160-5975	1	CAP-FXD 10pF +-5% 50 V CER C0G	02010	08055A100JAT A
C819	0160-5975	1	CAP-FXD 10pF +-5% 50 V CER C0G	02010	08055A100JAT A
C820	0160-5952	1	CAP-FXD 330pF +-5% 50 V CER C0G	02010	08055A331JAT A
C821	0160-5959	1	CAP-FXD 33pF +-5% 50 V CER C0G	02010	08055A330JAT A
C822	0160-6100	1	CAP-FXD 1000pF +-5% 50 V CER C0G	02010	12065A102JAT A
C823	0160-6100	1	CAP-FXD 1000pF +-5% 50 V CER C0G	02010	12065A102JAT A
C824	0160-6100	1	CAP-FXD 1000pF +-5% 50 V CER C0G	02010	12065A102JAT A
C825	0160-5962	1	CAP-FXD 15pF +-5% 50 V CER C0G	09939	GRM40C0G150J050

HP Part Number 08563-60132
Radio Frequency (continued)

Reference Designator	HP Part Number	Qty	Description	Mfr Code	Mfr Part Number
C826	0160-6100	1	CAP-FXD 1000pF +-5% 50 V CER C0G	02010	12065A102JAT A
C827	0160-5963	1	CAP-FXD 18pF +-5% 50 V CER C0G	02010	08055A180JAT A
C828	0160-5971	1	CAP-FXD 4.7pF +-10.64% 50 V CER C0G	02010	08055A4R7DAT A
C829	0160-6100	1	CAP-FXD 1000pF +-5% 50 V CER C0G	02010	12065A102JAT A
C830	0160-5952	1	CAP-FXD 330pF +-5% 50 V CER C0G	02010	08055A331JAT A
C831	0160-5963	1	CAP-FXD 18pF +-5% 50 V CER C0G	02010	08055A180JAT A
C832	0160-5971	1	CAP-FXD 4.7pF +-10.64% 50 V CER C0G	02010	08055A4R7DAT A
C833	0160-6100	1	CAP-FXD 1000pF +-5% 50 V CER C0G	02010	12065A102JAT A
C834	0160-6100	1	CAP-FXD 1000pF +-5% 50 V CER C0G	02010	12065A102JAT A
C835	0160-6100	1	CAP-FXD 1000pF +-5% 50 V CER C0G	02010	12065A102JAT A
C836	0160-5952	1	CAP-FXD 330pF +-5% 50 V CER C0G	02010	08055A331JAT A
C837	0160-5952	1	CAP-FXD 330pF +-5% 50 V CER C0G	02010	08055A331JAT A
C838	0160-6100	1	CAP-FXD 1000pF +-5% 50 V CER C0G	02010	12065A102JAT A
C903	0160-4835	1	CAP-FXD 0.1uF +-10% 50 V CER X7R	02010	SA105C104KAAH
C904	0160-4835	1	CAP-FXD 0.1uF +-10% 50 V CER X7R	02010	SA105C104KAAH
C905	0160-4835	1	CAP-FXD 0.1uF +-10% 50 V CER X7R	02010	SA105C104KAAH
C906	0160-4835	1	CAP-FXD 0.1uF +-10% 50 V CER X7R	02010	SA105C104KAAH
C907	0160-4835	1	CAP-FXD 0.1uF +-10% 50 V CER X7R	02010	SA105C104KAAH
C908	0160-4787	1	CAP-FXD 22pF +-5% 100 V CER C0G	02010	SA101A220JAA
C909	0160-4835	1	CAP-FXD 0.1uF +-10% 50 V CER X7R	02010	SA105C104KAAH
C910	0180-4287	1	CAP-FXD 10uF +-20% 35 V TA	02010	TAJD106M035
C911	0180-4287	1	CAP-FXD 10uF +-20% 35 V TA	02010	TAJD106M035
C912	0180-3632	1	CAP-FXD 22uF +-20% 50 V AL-ELCTLT	06360	KMC50VB22RM6X11RPX
C913	0180-4274	1	CAP-FXD 4.7uF +-20% 50 V TA	12340	T491D475M050AS
C914	0160-4835	1	CAP-FXD 0.1uF +-10% 50 V CER X7R	02010	SA105C104KAAH
C915	0160-4835	1	CAP-FXD 0.1uF +-10% 50 V CER X7R	02010	SA105C104KAAH
C916	0160-6736	1	CAP-FXD 0.01uF +-10% 50 V CER X7R	02010	12065C103KAT A
C917	0160-6736	1	CAP-FXD 0.01uF +-10% 50 V CER X7R	02010	12065C103KAT A
C920	0180-3751	1	CAP-FXD 1uF +-20% 35 V TA	02010	TAJB105M035
C921	0160-4808	1	CAP-FXD 470pF +-5% 100 V CER C0G	02010	SA101A471JAAH
C922	0160-4808	1	CAP-FXD 470pF +-5% 100 V CER C0G	02010	SA101A471JAAH
C923	0160-4808	1	CAP-FXD 470pF +-5% 100 V CER C0G	02010	SA101A471JAAH
C924	0180-4274	1	CAP-FXD 4.7uF +-20% 50 V TA	12340	T491D475M050AS
C925	0160-7736	1	CAP-FXD 1uF +-10% 16 V CER X7R	06352	C3216X7R1C105K
C926	0160-7798	1	CAP-FXD 0.1uF +-10% 50 V CER X7R	06352	C2012X7R1H104K

*Indicates factory-selected value

**HP Part Number 08563-60132
Radio Frequency (continued)**

Reference Designator	HP Part Number	Qty	Description	Mfr Code	Mfr Part Number
C927	0180-4287	1	CAP-FXD 10uF +-20% 35 V TA	02010	TAJD106M035
C928	0180-4274	1	CAP-FXD 4.7uF +-20% 50 V TA	12340	T491D475M050AS
CR101	1901-1097	1	DIODE-PIN	08852	M5X-3472
CR102	1901-1097	1	DIODE-PIN	08852	M5X-3472
CR103	1901-1097	1	DIODE-PIN	08852	M5X-3472
CR200	LTB0122-0161KI	1	D VVC 2.2PF4.5CR	28480	LTB0122-0161KI
CR301	1901-1279	1	DIODE-SCHOTTKY 60V 1NS DO-34	02910	BAT83
CR302	1901-1279	1	DIODE-SCHOTTKY 60V 1NS DO-34	02910	BAT83
CR303	1901-0050	1	DIODE-SWITCHING 80V 200MA 2NS DO-35	02910	OF678
CR304	1901-0050	1	DIODE-SWITCHING 80V 200MA 2NS DO-35	02910	OF678
CR305	1901-0050	1	DIODE-SWITCHING 80V 200MA 2NS DO-35	02910	OF678
CR401	1901-1279	1	DIODE-SCHOTTKY 60V 1NS DO-34	02910	BAT83
CR402	1901-1279	1	DIODE-SCHOTTKY 60V 1NS DO-34	02910	BAT83
CR403	1901-1279	1	DIODE-SCHOTTKY 60V 1NS DO-34	02910	BAT83
CR404	1901-1279	1	DIODE-SCHOTTKY 60V 1NS DO-34	02910	BAT83
CR405	1901-1098	1	DIODE-SWITCHING 1N4150 50V 200MA 4NS	00746	1901-1098
CR406	1901-1279	1	DIODE-SCHOTTKY 60V 1NS DO-34	02910	BAT83
CR407	1901-1279	1	DIODE-SCHOTTKY 60V 1NS DO-34	02910	BAT83
CR408	1901-1117	1	DIODE-SWITCHING 30V	00746	1SS135
CR409	1901-1117	1	DIODE-SWITCHING 30V	00746	1SS135
CR410	1901-0033	1	DIODE-GEN PRP 180V 200MA DO-35	02237	1MD2
CR411	1901-0033	1	DIODE-GEN PRP 180V 200MA DO-35	02237	1MD2
CR412	1901-0033	1	DIODE-GEN PRP 180V 200MA DO-35	02237	1MD2
CR413	1901-0033	1	DIODE-GEN PRP 180V 200MA DO-35	02237	1MD2
CR414	1901-0033	1	DIODE-GEN PRP 180V 200MA DO-35	02237	1MD2
CR416	1901-0033	1	DIODE-GEN PRP 180V 200MA DO-35	02237	1MD2
CR417	1901-1279	1	DIODE-SCHOTTKY 60V 1NS DO-34	02910	BAT83
CR418	1901-1279	1	DIODE-SCHOTTKY 60V 1NS DO-34	02910	BAT83
CR419	1901-1117	1	DIODE-SWITCHING 30V	00746	1SS135
CR420	1901-1117	1	DIODE-SWITCHING 30V	00746	1SS135
CR425	1901-1098	1	DIODE-SWITCHING 1N4150 50V 200MA 4NS	00746	1901-1098
CR426	1901-1098	1	DIODE-SWITCHING 1N4150 50V 200MA 4NS	00746	1901-1098
CR501	1901-1227	1	DIODE-SWITCHING 75V 200MA 6NS TO-236	02910	BAS16
CR502	1901-1227	1	DIODE-SWITCHING 75V 200MA 6NS TO-236	02910	BAS16
CR503	1901-1070	1	DIODE-PIN 110V	01542	1901-1070

HP Part Number 08563-60132
Radio Frequency (continued)

Reference Designator	HP Part Number	Qty	Description	Mfr Code	Mfr Part Number
CR504	1901-1068	1	DIODE-SCHOTTKY SM SIG	01542	5082-2835
CR505	1901-1068	1	DIODE-SCHOTTKY SM SIG	01542	5082-2835
CR603	1901-1192	1	DIODE-PIN 35V 100MA TO-236 (SOT-23)	01542	1901-1192
CR604	1901-1192	1	DIODE-PIN 35V 100MA TO-236 (SOT-23)	01542	1901-1192
CR605	1901-1192	1	DIODE-PIN 35V 100MA TO-236 (SOT-23)	01542	1901-1192
CR607	1900-0322	1	DIODE-PIN	28480	1900-0322
CR608	1900-0322	1	DIODE-PIN	28480	1900-0322
CR609	1900-0322	1	DIODE-PIN	28480	1900-0322
CR610	1900-0322	1	DIODE-PIN	28480	1900-0322
CR611	1900-0322	1	DIODE-PIN	28480	1900-0322
CR612	1900-0322	1	DIODE-PIN	28480	1900-0322
CR613	1901-1117	1	DIODE-SWITCHING 30V	00746	1SS135
CR614	1901-1227	1	DIODE-SWITCHING 75V 200MA 6NS TO-236	02910	BAS16
CR700	0122-0175	1	DIODE-VVC 1.8PF 10% C 1/C28-TYP=9.7	02910	BBY31
CR701	1900-0220	1	DIODE-SCHOTTKY SM SIG	01542	HSMS-2813
CR702	1900-0078	1	DIODE-SCHOTTKY SM SIG	01542	HSMS-2800
CR801	1901-1097	1	DIODE-PIN	08852	M5X-3472
CR802	1901-1097	1	DIODE-PIN	08852	M5X-3472
E201	9170-1366	1	CORE-SHIELDING BEAD	03827	2743001112
E204	9170-1366	1	CORE-SHIELDING BEAD	03827	2743001112
E206	9170-1366	1	CORE-SHIELDING BEAD	03827	2743001112
E208	9170-1366	1	CORE-SHIELDING BEAD	03827	2743001112
E209	9170-1366	1	CORE-SHIELDING BEAD	03827	2743001112
E213	9170-1366	1	CORE-SHIELDING BEAD	03827	2743001112
E601	9170-1208	1	CORE-SHIELDING BEAD AL=380-NH/TT	03745	21-425-J
E602	9170-1208	1	CORE-SHIELDING BEAD AL=380-NH/TT	03745	21-425-J
E603	9170-1208	1	CORE-SHIELDING BEAD AL=380-NH/TT	03745	21-425-J
E604	9170-1208	1	CORE-SHIELDING BEAD AL=380-NH/TT	03745	21-425-J
E701	9170-1421	1	CORE-SHIELDING BEAD	06352	HF50ACB-322513
E702	9170-1421	1	CORE-SHIELDING BEAD	06352	HF50ACB-322513
E703	9170-1421	1	CORE-SHIELDING BEAD	06352	HF50ACB-322513
J1	1252-1064	1	CONN-POST TYPE .100-PIN-SPCG-MTG-END	01380	1-746878-0
J2	1252-1064	1	CONN-POST TYPE .100-PIN-SPCG-MTG-END	01380	1-746878-0
J101	1250-2471	1	CONNECTOR-RF MCX,SM-SNP-ON FEMALE	01380	829558-3
J200	1252-1200	1	CONN-POST TYPE .100-PIN-SPCG-MTG-END	13369	68449-079

*Indicates factory-selected value

**HP Part Number 08563-60132
Radio Frequency (continued)**

Reference Designator	HP Part Number	Qty	Description	Mfr Code	Mfr Part Number
J301	1250-0543	1	CONNECTOR-RF SMB MALE PC-W-STDFS 50-OHM	07247	59S213-40TD3
J302	1250-0543	1	CONNECTOR-RF SMB MALE PC-W-STDFS 50-OHM	07247	59S213-40TD3
J303	1250-0543	1	CONNECTOR-RF SMB MALE PC-W-STDFS 50-OHM	07247	59S213-40TD3
J304	1250-0543	1	CONNECTOR-RF SMB MALE PC-W-STDFS 50-OHM	07247	59S213-40TD3
J305	1250-0543	1	CONNECTOR-RF SMB MALE PC-W-STDFS 50-OHM	07247	59S213-40TD3
J306	1252-0099	1	CONN-POST TYPE .100-PIN-SPCG-MTG-END	01380	641216-4
J400	1252-1200	1	CONN-POST TYPE .100-PIN-SPCG-MTG-END	13369	68449-079
J501	1250-0543	1	CONNECTOR-RF SMB MALE PC-W-STDFS 50-OHM	07247	59S213-40TD3
J502	1252-1200	1	CONN-POST TYPE .100-PIN-SPCG-MTG-END	13369	68449-079
J601	1250-0543	1	CONNECTOR-RF SMB MALE PC-W-STDFS 50-OHM	07247	59S213-40TD3
J602	1252-1200	1	CONN-POST TYPE .100-PIN-SPCG-MTG-END	13369	68449-079
J700	1251-5033	1	CONN-POST TYPE .100-PIN-SPCG-MTG-END	01380	103239-3
J701	1250-0543	1	CONNECTOR-RF SMB MALE PC-W-STDFS 50-OHM	07247	59S213-40TD3
J702	1250-0543	1	CONNECTOR-RF SMB MALE PC-W-STDFS 50-OHM	07247	59S213-40TD3
J801	1250-0257	1	CONNECTOR-RF SMB MALE PC-W-STDFS 50-OHM	01380	413990-3
J802	1250-0543	1	CONNECTOR-RF SMB MALE PC-W-STDFS 50-OHM	07247	59S213-40TD3
J803	1250-0543	1	CONNECTOR-RF SMB MALE PC-W-STDFS 50-OHM	07247	59S213-40TD3
J901	1252-1200	1	CONN-POST TYPE .100-PIN-SPCG-MTG-END	13369	68449-079
L101	9100-0539	1	INDUCTOR RF-CH-MLD 10uH +-5%	03273	15M102J
L102	9100-2256	1	INDUCTOR RF-CH-MLD 560nH +-10%	03273	10M560K
L103	9100-0539	1	INDUCTOR RF-CH-MLD 10uH +-5%	03273	15M102J
L104	9100-2256	1	INDUCTOR RF-CH-MLD 560nH +-10%	03273	10M560K
L105	9100-2252	1	INDUCTOR RF-CH-MLD 270nH +-10%	05524	IM-2 .27UH 10%
L106	9100-2262	1	INDUCTOR RF-CH-MLD 3.9uH +-10%	05524	IM-2 3.9UH 10%
L110	9100-2265	1	INDUCTOR RF-CH-MLD 10uH +-10%	03273	10M102K
L111	9100-2262	1	INDUCTOR RF-CH-MLD 3.9uH +-10%	05524	IM-2 3.9UH 10%
L150	9100-2247	1	INDUCTOR RF-CH-MLD 100nH +-10%	03273	10M100K
L151	9135-0078	1	INDUCTOR RF-CH-MLD 82nH +-5.61%	05524	9135-0078
L153	9100-2247	1	INDUCTOR RF-CH-MLD 100nH +-10%	03273	10M100K
L155	9135-0078	1	INDUCTOR RF-CH-MLD 82nH +-5.61%	05524	9135-0078
L200	9140-0158	1	INDUCTOR RF-CH-MLD 1uH +-10%	05826	1025-20
L202	9100-2256	1	INDUCTOR RF-CH-MLD 560nH +-10%	03273	10M560K
L203	9100-2891	1	INDUCTOR RF-CH-MLD 50nH +-10%	03273	10M050K-1
L205	9100-2891	1	INDUCTOR RF-CH-MLD 50nH +-10%	03273	10M050K-1
L207	9100-2247	1	INDUCTOR RF-CH-MLD 100nH +-10%	03273	10M100K

HP Part Number 08563-60132
Radio Frequency (continued)

Reference Designator	HP Part Number	Qty	Description	Mfr Code	Mfr Part Number
L210	9100-0539	1	INDUCTOR RF-CH-MLD 10uH +-5%	03273	15M102J
L211	9100-0539	1	INDUCTOR RF-CH-MLD 10uH +-5%	03273	15M102J
L212	9100-2891	1	INDUCTOR RF-CH-MLD 50nH +-10%	03273	10M050K-1
L214	9100-2891	1	INDUCTOR RF-CH-MLD 50nH +-10%	03273	10M050K-1
L301	9100-1788	1	CORE-FERRITE CHOKE-WIDEBAND;IMP:>680	11212	LB2/2.5ZB
L302	9100-0539	1	INDUCTOR RF-CH-MLD 10uH +-5%	03273	15M102J
L400	9100-2891	1	INDUCTOR RF-CH-MLD 50nH +-10%	03273	10M050K-1
L401	9100-2256	1	INDUCTOR RF-CH-MLD 560nH +-10%	03273	10M560K
L402	9100-2256	1	INDUCTOR RF-CH-MLD 560nH +-10%	03273	10M560K
L403	9100-2256	1	INDUCTOR RF-CH-MLD 560nH +-10%	03273	10M560K
L407	9100-2251	1	INDUCTOR RF-CH-MLD 220nH +-10%	03273	10M220K
L409	9100-1630	1	INDUCTOR RF-CH-MLD 51uH +-5%	05524	IM-4 51UH 5%
L410	9100-1630	1	INDUCTOR RF-CH-MLD 51uH +-5%	05524	IM-4 51UH 5%
L411	9100-2260	1	INDUCTOR RF-CH-MLD 1.8uH +-10%	03273	10M181K
L412	9100-2260	1	INDUCTOR RF-CH-MLD 1.8uH +-10%	03273	10M181K
L413	9100-1630	1	INDUCTOR RF-CH-MLD 51uH +-5%	05524	IM-4 51UH 5%
L414	9100-1630	1	INDUCTOR RF-CH-MLD 51uH +-5%	05524	IM-4 51UH 5%
L415	9140-0158	1	INDUCTOR RF-CH-MLD 1uH +-10%	05826	1025-20
L416	9140-0158	1	INDUCTOR RF-CH-MLD 1uH +-10%	05826	1025-20
L417	9100-1636	1	INDUCTOR RF-CH-MLD 110uH +-5%	05826	1537-78
L418	9100-3560	1	INDUCTOR RF-CH-MLD 5.6uH +-5%	05524	IM-4 5.6UH 5%
L420	9100-0539	1	INDUCTOR RF-CH-MLD 10uH +-5%	03273	15M102J
L421	9100-0539	1	INDUCTOR RF-CH-MLD 10uH +-5%	03273	15M102J
L422	9100-0539	1	INDUCTOR RF-CH-MLD 10uH +-5%	03273	15M102J
L423	9100-0539	1	INDUCTOR RF-CH-MLD 10uH +-5%	03273	15M102J
L424	9100-0539	1	INDUCTOR RF-CH-MLD 10uH +-5%	03273	15M102J
L427	9140-0141	1	INDUCTOR RF-CH-MLD 680nH +-10%	05826	1025-16
L428	9140-0141	1	INDUCTOR RF-CH-MLD 680nH +-10%	05826	1025-16
L430	9100-1788	1	CORE-FERRITE CHOKE-WIDEBAND;IMP:>680	11212	LB2/2.5ZB
L438	9135-0077	1	INDUCTOR 36nH +-6.389% 2.6D-mmX6.6LG-mm	03273	10M036X-1
L439	9100-2247	1	INDUCTOR RF-CH-MLD 100nH +-10%	03273	10M100K
L501	9140-1565	1	INDUCTOR 47nH +5% -5% 2.8W-mmX3.4LG-mm	03273	SM3-047J-1
L502	9100-2891	1	INDUCTOR RF-CH-MLD 50nH +-10%	03273	10M050K-1
L503	9135-0077	1	INDUCTOR 36nH +-6.389% 2.6D-mmX6.6LG-mm	03273	10M036X-1
L504	9140-0141	1	INDUCTOR RF-CH-MLD 680nH +-10%	05826	1025-16

*Indicates factory-selected value

**HP Part Number 08563-60132
Radio Frequency (continued)**

Reference Designator	HP Part Number	Qty	Description	Mfr Code	Mfr Part Number
L505	9135-0075	1	INDUCTOR RF-CH-MLD 43nH +-6.047%	03273	10M043X-1
L506	9100-2256	1	INDUCTOR RF-CH-MLD 560nH +-10%	03273	10M560K
L507	9100-2256	1	INDUCTOR RF-CH-MLD 560nH +-10%	03273	10M560K
L508	9100-0539	1	INDUCTOR RF-CH-MLD 10uH +-5%	03273	15M102J
L511	9100-0539	1	INDUCTOR RF-CH-MLD 10uH +-5%	03273	15M102J
L517	9140-1201	1	INDUCTOR 39nH +-5% 2.8W-mmX3.4LG-mm Q=25	06352	NL322522T-039J
L518	9140-1099	1	INDUCTOR 220nH +-5% 2.8W-mmX3.4LG-mm	09891	KL32TER22J
L519	9140-1436	1	INDUCTOR 390nH +-5% 2.8W-mmX3.4LG-mm	06352	NL322522T-R39J
L520	9140-1101	1	INDUCTOR 470nH +-5% 2.8W-mmX3.4LG-mm	09891	KL32TER47J
L521	9140-1200	1	INDUCTOR 33nH +-5% 2.8W-mmX3.4LG-mm Q=25	09891	KL32TE033J
L600	9100-2891	1	INDUCTOR RF-CH-MLD 50nH +-10%	03273	10M050K-1
L605	9140-1103	1	INDUCTOR 680nH +-5% 2.8W-mmX3.4LG-mm	06352	NL322522T-R68J
L608	9140-1103	1	INDUCTOR 680nH +-5% 2.8W-mmX3.4LG-mm	06352	NL322522T-R68J
L609	9100-0539	1	INDUCTOR RF-CH-MLD 10uH +-5%	03273	15M102J
L613	9140-1536	1	INDUCTOR 18nH +-10% 2.8W-mmX3.4LG-mm	06352	NL322522T-018K
L614	9140-1195	1	INDUCTOR 15nH +-10% 2.8W-mmX3.4LG-mm	06352	NL322522T-015K
L615	9140-1194	1	INDUCTOR 10nH +-10% 2.8W-mmX3.4LG-mm	09891	KL32TE010K
L616	9140-1204	1	INDUCTOR 68nH +-5% 2.8W-mmX3.4LG-mm Q=27	09891	KL32TE068J
L617	9140-1104	1	INDUCTOR 820nH +-5% 2.8W-mmX3.4LG-mm	09891	KL32TER82J
L618	9140-1422	1	INDUCTOR 1.8uH +-5% 3.4W-mmX4.8LG-mm	06352	NL453232-1R8J-3
L619	9140-1425	1	INDUCTOR 270nH +-5% 2.8W-mmX3.4LG-mm	06352	NL322522T-R27J
L620	9140-1422	1	INDUCTOR 1.8uH +-5% 3.4W-mmX4.8LG-mm	06352	NL453232-1R8J-3
L621	9140-1104	1	INDUCTOR 820nH +-5% 2.8W-mmX3.4LG-mm	09891	KL32TER82J
L622	9140-1109	1	INDUCTOR 4.7uH +-5% 3.4W-mmX4.8LG-mm	06352	NL453232-4R7J
L623	9140-1109	1	INDUCTOR 4.7uH +-5% 3.4W-mmX4.8LG-mm	06352	NL453232-4R7J
L625	9140-1116	1	INDUCTOR 33uH +-5% 3.4W-mmX4.8LG-mm Q=50	06352	NL453232-330J-3
L626	9140-1113	1	INDUCTOR 10uH +-5% 3.4W-mmX4.8LG-mm Q=50	06352	NL453232-100J-3
L628	9140-1116	1	INDUCTOR 33uH +-5% 3.4W-mmX4.8LG-mm Q=50	06352	NL453232-330J-3
L629	08562-80075	1	XFMR RF TORO1D	28480	08562-80075
L630	9140-1202	1	INDUCTOR 47nH +-5% 2.8W-mmX3.4LG-mm Q=26	06352	NL322522T-047J
L631	9140-1537	1	INDUCTOR 22nH +-10% 2.8W-mmX3.4LG-mm	06352	NL322522T-022K
L632	9140-1116	1	INDUCTOR 33uH +-5% 3.4W-mmX4.8LG-mm Q=50	06352	NL453232-330J-3
L700	9140-1107	1	INDUCTOR 2.2uH +-5% 3.4W-mmX4.8LG-mm	06352	NL453232-2R2J-3
L701	9140-1050	1	INDUCTOR 70.5nH +-5% .23W-INX.38LG-IN	01886	BUGS/132-6.5T
L702	9140-1204	1	INDUCTOR 68nH +-5% 2.8W-mmX3.4LG-mm Q=27	09891	KL32TE068J

HP Part Number 08563-60132
Radio Frequency (continued)

Reference Designator	HP Part Number	Qty	Description	Mfr Code	Mfr Part Number
L703	9140-1105	1	INDUCTOR 1uH +5% 3.4W-mmX4.8LG-mm Q=50	06352	NL453232-1R0J-3
L704	9140-1102	1	INDUCTOR 560nH +5% 2.8W-mmX3.4LG-mm	06352	NL322522T-R56J
L705	9140-1103	1	INDUCTOR 680nH +5% 2.8W-mmX3.4LG-mm	06352	NL322522T-R68J
L706	9140-1105	1	INDUCTOR 1uH +5% 3.4W-mmX4.8LG-mm Q=50	06352	NL453232-1R0J-3
L707	9140-1204	1	INDUCTOR 68nH +5% 2.8W-mmX3.4LG-mm Q=27	09891	KL32TE068J
L708	9140-1537	1	INDUCTOR 22nH +10% 2.8W-mmX3.4LG-mm	06352	NL322522T-022K
L709	9140-1561	1	INDUCTOR 22nH +5% -5% 2.8W-mmX3.4LG-mm	03273	SM3-022J-1
L710	9140-1099	1	INDUCTOR 220nH +5% 2.8W-mmX3.4LG-mm	09891	KL32TER22J
L711	9140-1436	1	INDUCTOR 390nH +5% 2.8W-mmX3.4LG-mm	06352	NL322522T-R39J
L712	9140-1194	1	INDUCTOR 10nH +10% 2.8W-mmX3.4LG-mm	09891	KL32TE010K
L713	9140-1194	1	INDUCTOR 10nH +10% 2.8W-mmX3.4LG-mm	09891	KL32TE010K
L714	9140-1194	1	INDUCTOR 10nH +10% 2.8W-mmX3.4LG-mm	09891	KL32TE010K
L723	9100-0539	1	INDUCTOR RF-CH-MLD 10uH +5%	03273	15M102J
L801	9100-2252	1	INDUCTOR RF-CH-MLD 270nH +10%	05524	IM-2 .27UH 10%
L802	9100-2252	1	INDUCTOR RF-CH-MLD 270nH +10%	05524	IM-2 .27UH 10%
L803	9100-2256	1	INDUCTOR RF-CH-MLD 560nH +10%	03273	10M560K
L804	9100-2256	1	INDUCTOR RF-CH-MLD 560nH +10%	03273	10M560K
L805	9100-2256	1	INDUCTOR RF-CH-MLD 560nH +10%	03273	10M560K
L806	9100-0539	1	INDUCTOR RF-CH-MLD 10uH +5%	03273	15M102J
L807	9140-1195	1	INDUCTOR 15nH +10% 2.8W-mmX3.4LG-mm	06352	NL322522T-015K
L808	9140-1201	1	INDUCTOR 39nH +5% 2.8W-mmX3.4LG-mm Q=25	06352	NL322522T-039J
L809	9100-4982	1	TRANSFORMER-SMALL SIGNAL SMT; PRIMARY	01886	M1590-B
L810	9140-1199	1	INDUCTOR 27nH +10% 2.8W-mmX3.4LG-mm	09891	KL32TE027K
L811	9140-1194	1	INDUCTOR 10nH +10% 2.8W-mmX3.4LG-mm	09891	KL32TE010K
L812	9140-1203	1	INDUCTOR 56nH +5% 2.8W-mmX3.4LG-mm Q=26	06352	NL322522T-056J
L813	9140-1199	1	INDUCTOR 27nH +10% 2.8W-mmX3.4LG-mm	09891	KL32TE027K
L814	9140-1195	1	INDUCTOR 15nH +10% 2.8W-mmX3.4LG-mm	06352	NL322522T-015K
L815	9140-1100	1	INDUCTOR 330nH +5% 2.8W-mmX3.4LG-mm	09891	KL32TER33J
L816	9140-1100	1	INDUCTOR 330nH +5% 2.8W-mmX3.4LG-mm	09891	KL32TER33J
L817	9140-1194	1	INDUCTOR 10nH +10% 2.8W-mmX3.4LG-mm	09891	KL32TE010K
L818	9140-1203	1	INDUCTOR 56nH +5% 2.8W-mmX3.4LG-mm Q=26	06352	NL322522T-056J
L819	9140-1199	1	INDUCTOR 27nH +10% 2.8W-inmX3.4LG-mm	09891	KL32TE027K
L901	9140-0738	1	INDUCTOR 100uH .6W-INX.7LG-IN	01869	52405
L902	9140-0738	1	INDUCTOR 100uH .6W-INX.7LG-IN	01869	52405
L903	9140-0738	1	INDUCTOR 100uH .6W-INX.7LG-IN	01869	52405

*Indicates factory-selected value

CLIP 08563-90199 17

**HP Part Number 08563-60132
Radio Frequency (continued)**

Reference Designator	HP Part Number	Qty	Description	Mfr Code	Mfr Part Number
L904	9140-0738	1	INDUCTOR 100uH .6W-INX.7LG-IN	01869	52405
MP3	5002-0631	1	BRACE-RF BD	28480	5002-0631
MP4	5021-6735	1	SHIELD-TOP REF	28480	5021-6735
MP5	5021-6736	1	SHIELD-BOT REF	28480	5021-6736
MP6	5021-6739	1	SHLD-TOP SIGPATH	28480	5021-6739
MP7	5022-3681	1	SHLD-BOT SIGPATH	28480	5022-3681
MP8	5022-0047	1	SHLD-TOP SYNTHZR	28480	5022-0047
MP9	5022-0046	1	SHLD-BOT SYNTHZR	28480	5022-0046
MP10	1200-0173	1	INSULATOR-XSTR DAP-GL	14283	A-10001 DAP
MP12	1200-0173	1	INSULATOR-XSTR DAP-GL	14283	A-10001 DAP
MP13	1200-0173	1	INSULATOR-XSTR DAP-GL	14283	A-10001 DAP
MP14	1200-0173	1	INSULATOR-XSTR DAP-GL	14283	A-10001 DAP
MP15	1200-0173	1	INSULATOR-XSTR DAP-GL	14283	A-10001 DAP
MP16	1200-0173	1	INSULATOR-XSTR DAP-GL	14283	A-10001 DAP
MP21	8160-0768	1	SHIELD PHOSHER BRONZE; SATIN-TIN FINISH	03647	0097-860-08 (FORMED)
MP22	0515-0367	1	SCREW-MACHINE ASSEMBLY M2.5 X 0.45	05610	0515-0367
MP23	0515-0367	1	SCREW-MACHINE ASSEMBLY M2.5 X 0.45	05610	0515-0367
MP24	0515-0367	1	SCREW-MACHINE ASSEMBLY M2.5 X 0.45	05610	0515-0367
MP31	5041-7283	1	CLIP-LONG	28480	5041-7283
MP32	0624-0099	1	SCREW-TPG 4-40 .375-IN-LG PAN-HD-POZI	04525	0624-0099
MP33	1400-0866	1	CLAMP-CABLE .187-DIA .25-WD NYL	07158	C61332AA
MP35	0515-1934	1	SCREW-MACHINE ASSEMBLY M2.5 X 0.45	05610	0515-1934
MP36	0515-1934	1	SCREW-MACHINE ASSEMBLY M2.5 X 0.45	05610	0515-1934
P700	1258-0209	1	JUMPER-REMOVABLE 2 POSITION; .250 IN	01380	382811-6
Q200	BB1854-1175KI	1		28480	BB1854-1175KI
Q201	1854-1278	1	TRANSISTOR NPN SI TO-261AA (SOT-223)	02910	BFG97
Q202	LTB1854-0345KI	1		28480	LTB1854-0345KI
Q203	1854-1354	1	TRANSISTOR NPN SI PD=300MW FT=4.5GHZ	02910	BFG93A
Q302	1854-1028	1	TRANSISTOR NPN SI TO-92 PD=625MW	02237	2N3904
Q303	1854-1028	1	TRANSISTOR NPN SI TO-92 PD=625MW	02237	2N3904
Q304	1854-1426	1	TRANSISTOR NPN 2N5109 SI TO-39 PD=1000MW	11699	2N5109
Q305	1854-1426	1	TRANSISTOR NPN 2N5109 SI TO-39 PD=1000MW	11699	2N5109
Q400	1854-1278	1	TRANSISTOR NPN SI TO-261AA (SOT-223)	02910	BFG97
Q401	1854-1354	1	TRANSISTOR NPN SI PD=300MW FT=4.5GHZ	02910	BFG93A
Q402	BB1854-0477KI	1		28480	BB1854-0477KI

HP Part Number 08563-60132
Radio Frequency (continued)

Reference Designator	HP Part Number	Qty	Description	Mfr Code	Mfr Part Number
Q403	08563-50001	1		28480	08563-50001
Q404	08563-50001	1		28480	08563-50001
Q405	1853-0612	1	TRANSISTOR PNP SI SOT-23 (TO-236AB)	02910	BFT93
Q406	1853-0612	1	TRANSISTOR PNP SI SOT-23 (TO-236AB)	02910	BFT93
Q407	1854-1354	1	TRANSISTOR NPN SI PD=300MW FT=4.5GHZ	02910	BFG93A
Q408	1854-1354	1	TRANSISTOR NPN SI PD=300MW FT=4.5GHZ	02910	BFG93A
Q501	1854-1278	1	TRANSISTOR NPN SI TO-261AA (SOT-223)	02910	BFG97
Q502	1854-1278	1	TRANSISTOR NPN SI TO-261AA (SOT-223)	02910	BFG97
Q503	1854-1278	1	TRANSISTOR NPN SI TO-261AA (SOT-223)	02910	BFG97
Q504	1854-1354	1	TRANSISTOR NPN SI PD=300MW FT=4.5GHZ	02910	BFG93A
Q505	1854-1354	1	TRANSISTOR NPN SI PD=300MW FT=4.5GHZ	02910	BFG93A
Q506	1854-1201	1	TRANSISTOR NPN SI SOT-23 (TO-236AB)	02037	MMBR5031LT1
Q507	1854-1054	1	TRANSISTOR NPN SI SOT-89 (TO-243AB)	02910	BFQ19
Q605	1854-1426	1	TRANSISTOR NPN 2N5109 SI TO-39 PD=1000MW	11699	2N5109
Q606	1854-1426	1	TRANSISTOR NPN 2N5109 SI TO-39 PD=1000MW	11699	2N5109
Q607	1854-1426	1	TRANSISTOR NPN 2N5109 SI TO-39 PD=1000MW	11699	2N5109
Q608	1854-1426	1	TRANSISTOR NPN 2N5109 SI TO-39 PD=1000MW	11699	2N5109
Q609	1853-0567	1	TRANSISTOR PNP SI SOT-23 (TO-236AB)	12125	KST3906
Q610	1854-1032	1	TRANSISTOR NPN SI PD=1.25W	02688	MRF581
Q700	1854-1094	1	TRANSISTOR NPN SI SOT-89 (TO-243AB)	02910	PXT2222A
Q701	1854-1304	1	TRANSISTOR NPN SI CHIP PD=580MW	03074	NE85635
Q702	1853-0609	1	TRANSISTOR PNP SI SOT-89 (TO-243AB)	02910	PXT2907A
Q703	1854-1304	1	TRANSISTOR NPN SI CHIP PD=580MW	03074	NE85635
Q801	1855-0945	1	TRANSISTOR GAAS FET N/S GALLIUM ARSENIDE	01542	ATF-10136
Q802	1854-1054	1	TRANSISTOR NPN SI SOT-89 (TO-243AB)	02910	BFQ19
Q803	1854-1054	1	TRANSISTOR NPN SI SOT-89 (TO-243AB)	02910	BFQ19
Q804	1854-1054	1	TRANSISTOR NPN SI SOT-89 (TO-243AB)	02910	BFQ19
Q805	1854-1054	1	TRANSISTOR NPN SI SOT-89 (TO-243AB)	02910	BFQ19
R100	0698-7242	1	RESISTOR 1.78K +-1% .05W TF TC=0+-100	06424	NK3H.05W1%+/-100PPM1781
R101	0698-7282	1	RESISTOR 82.5K +-1% .05W TF TC=0+-100	06424	NK3H.05W1%+/-100PPM8252
R102	0698-7282	1	RESISTOR 82.5K +-1% .05W TF TC=0+-100	06424	NK3H.05W1%+/-100PPM8252
R103	0698-7284	1	RESISTOR 100K +-1% .05W TF TC=0+-100	05524	CMF-501003FT-1
R104	0698-7284	1	RESISTOR 100K +-1% .05W TF TC=0+-100	05524	CMF-501003FT-1
R105	0698-7282	1	RESISTOR 82.5K +-1% .05W TF TC=0+-100	06424	NK3H.05W1%+/-100PPM8252
R106	0698-7282	1	RESISTOR 82.5K +-1% .05W TF TC=0+-100	06424	NK3H.05W1%+/-100PPM8252

*Indicates factory-selected value

CLIP 08563-90199 19

**HP Part Number 08563-60132
Radio Frequency (continued)**

Reference Designator	HP Part Number	Qty	Description	Mfr Code	Mfr Part Number
R108	0698-7243	1	RESISTOR 1.96K +-1% .05W TF TC=0+-100	06424	NK3H.05W1%+/-100PPM1961
R109	0698-7201	1	RESISTOR 34.8 +-1% .05W TF TC=0+-100	06424	NK3H.05W1%+/-100PPM34R8
R110	0698-7201	1	RESISTOR 34.8 +-1% .05W TF TC=0+-100	06424	NK3H.05W1%+/-100PPM34R8
R111	0698-7236	1	RESISTOR 1K +-1% .05W TF TC=0+-100	06424	NK3H.05W1%+/-100PPM1001
R112	0698-7188	1	RESISTOR 10 +-1% .05W TF TC=0+-100	06424	NK3H.05W1%+/-100PPM10R0
R113	0698-7243	1	RESISTOR 1.96K +-1% .05W TF TC=0+-100	06424	NK3H.05W1%+/-100PPM1961
R114	0698-7188	1	RESISTOR 10 +-1% .05W TF TC=0+-100	06424	NK3H.05W1%+/-100PPM10R0
R115	0698-7214	1	RESISTOR 121 +-1% .05W TF TC=0+-100	06424	NK3H.05W1%+/-100PPM121R0
R150	0698-7229	1	RESISTOR 511 +-1% .05W TF TC=0+-100	06424	NK3H.05W1%+/-100PPM511R0
R151	0698-7229	1	RESISTOR 511 +-1% .05W TF TC=0+-100	06424	NK3H.05W1%+/-100PPM511R0
R152	0698-7221	1	RESISTOR 237 +-1% .05W TF TC=0+-100	05524	CMF-502370FT-1
R153	0698-7261	1	RESISTOR 11K +-1% .05W TF TC=0+-100	05524	CMF-501102FT-1
R154	0698-7236	1	RESISTOR 1K +-1% .05W TF TC=0+-100	06424	NK3H.05W1%+/-100PPM1001
R155	0698-7229	1	RESISTOR 511 +-1% .05W TF TC=0+-100	06424	NK3H.05W1%+/-100PPM511R0
R156	0698-7228	1	RESISTOR 464 +-1% .05W TF TC=0+-100	06424	NK3H.05W1%+/-100PPM464R0
R157	0698-7212	1	RESISTOR 100 +-1% .05W TF TC=0+-100	06424	NK3H.05W1%+/-100PPM100R0
R170	0698-7260	1	RESISTOR 10K +-1% .05W TF TC=0+-100	06424	NK3H.05W1%+/-100PPM1002
R200	0698-3405	1	RESISTOR 422 +-1% .5W TF TC=0+-100	05524	CMF-654220FT-1
R201	0757-0405	1	RESISTOR 162 +-1% .125W TF TC=0+-100	06424	NK4H.125W1%+/-100PPM162R0
R202	0757-0394	1	RESISTOR 51.1 +-1% .125W TF TC=0+-100	05524	CMF-5551R1FT-1
R203	0698-7236	1	RESISTOR 1K +-1% .05W TF TC=0+-100	06424	NK3H.05W1%+/-100PPM1001
R204	0757-0398	1	RESISTOR 75 +-1% .125W TF TC=0+-100	05524	CMF-5575R0FT-1
R205	0757-0394	1	RESISTOR 51.1 +-1% .125W TF TC=0+-100	05524	CMF-5551R1FT-1
R206	0757-0180	1	RESISTOR 31.6 +-1% .125W TF TC=0+-100	06424	NK4H.125W1%+/-100PPM31R6
R207	0757-0442	1	RESISTOR 10K +-1% .125W TF TC=0+-100	05524	CMF-551002FT-1
R208	0757-0442	1	RESISTOR 10K +-1% .125W TF TC=0+-100	05524	CMF-551002FT-1
R209	0757-0280	1	RESISTOR 1K +-1% .125W TF TC=0+-100	05524	CMF-551001FT-1
R210	0757-0274	1	RESISTOR 1.21K +-1% .125W TF TC=0+-100	06424	NK4H.125W1%+/-100PPM1211
R211	0698-3429	1	RESISTOR 19.6 +-1% .125W TF TC=0+-100	05524	CMF-5519R6FT-1
R212	0757-0276	1	RESISTOR 61.9 +-1% .125W TF TC=0+-100	05524	CMF-5561R9FT-1
R213	0757-0276	1	RESISTOR 61.9 +-1% .125W TF TC=0+-100	05524	CMF-5561R9FT-1
R214	0757-0442	1	RESISTOR 10K +-1% .125W TF TC=0+-100	05524	CMF-551002FT-1
R215	0698-7195	1	RESISTOR 19.6 +-1% .05W TF TC=0+-100	06424	NK3H.05W1%+/-100PPM19R6
R216	0757-0416	1	RESISTOR 511 +-1% .125W TF TC=0+-100	06424	NK4H.125W1%+/-100PPM511R0
R217	0757-0317	1	RESISTOR 1.33K +-1% .125W TF TC=0+-100	05524	CMF-551331FT-1

HP Part Number 08563-60132
Radio Frequency (continued)

Reference Designator	HP Part Number	Qty	Description	Mfr Code	Mfr Part Number
R218	0757-0394	1	RESISTOR 51.1 +-1% .125W TF TC=0+-100	05524	CMF-5551R1FT-1
R219	0757-0401	1	RESISTOR 100 +-1% .125W TF TC=0+-100	05524	CMF-551000FT-1
R220	0757-0442	1	RESISTOR 10K +-1% .125W TF TC=0+-100	05524	CMF-551002FT-1
R221	0757-0401	1	RESISTOR 100 +-1% .125W TF TC=0+-100	05524	CMF-551000FT-1
R222	0698-7224	1	RESISTOR 316 +-1% .05W TF TC=0+-100	06424	NK3H.05W1%+/-100PPM316R0
R223	0757-0401	1	RESISTOR 100 +-1% .125W TF TC=0+-100	05524	CMF-551000FT-1
R224	0757-0401	1	RESISTOR 100 +-1% .125W TF TC=0+-100	05524	CMF-551000FT-1
R225	0757-0397	1	RESISTOR 68.1 +-1% .125W TF TC=0+-100	06424	NK4H.125W1%+/-100PPM68R1
R226	0757-0428	1	RESISTOR 1.62K +-1% .125W TF TC=0+-100	05524	CMF-551621FT-1
R227	0757-0428	1	RESISTOR 1.62K +-1% .125W TF TC=0+-100	05524	CMF-551621FT-1
R228	0698-3132	1	RESISTOR 261 +-1% .125W TF TC=0+-100	06424	NK4H.125W1%+/-100PPM261R0
R229	0698-3434	1	RESISTOR 34.8 +-1% .125W TF TC=0+-100	06424	NK4H.125W1%+/-100PPM34R8
R230	0757-0442	1	RESISTOR 10K +-1% .125W TF TC=0+-100	05524	CMF-551002FT-1
R231	0698-3440	1	RESISTOR 196 +-1% .125W TF TC=0+-100	05524	CMF-551960FT-1
R232	0757-0401	1	RESISTOR 100 +-1% .125W TF TC=0+-100	05524	CMF-551000FT-1
R233	0757-0401	1	RESISTOR 100 +-1% .125W TF TC=0+-100	05524	CMF-551000FT-1
R234	0757-0397	1	RESISTOR 68.1 +-1% .125W TF TC=0+-100	06424	NK4H.125W1%+/-100PPM68R1
R235	0757-0442	1	RESISTOR 10K +-1% .125W TF TC=0+-100	05524	CMF-551002FT-1
R236	0757-0276	1	RESISTOR 61.9 +-1% .125W TF TC=0+-100	05524	CMF-5561R9FT-1
R238	0698-7196	1	RESISTOR 21.5 +-1% .05W TF TC=0+-100	05524	CMF-5021R5FT-1
R301	0698-3442	1	RESISTOR 237 +-1% .125W TF TC=0+-100	05524	CMF-552370FT-1
R302	0757-0398	1	RESISTOR 75 +-1% .125W TF TC=0+-100	05524	CMF-5575R0FT-1
R303	0698-7209	1	RESISTOR 75 +-1% .05W TF TC=0+-100	06424	NK3H.05W1%+/-100PPM75R0
R304	0698-0084	1	RESISTOR 2.15K +-1% .125W TF TC=0+-100	06424	NK4H.125W1%+/-100PPM2151
R305	0698-7244	1	RESISTOR 2.15K +-1% .05W TF TC=0+-100	05524	CMF-502151FT-1
R306	0757-0394	1	RESISTOR 51.1 +-1% .125W TF TC=0+-100	05524	CMF-5551R1FT-1
R307	0698-3442	1	RESISTOR 237 +-1% .125W TF TC=0+-100	05524	CMF-552370FT-1
R310	0698-3439	1	RESISTOR 178 +-1% .125W TF TC=0+-100	05524	CMF-551780FT-1
R311	0698-3439	1	RESISTOR 178 +-1% .125W TF TC=0+-100	05524	CMF-551780FT-1
R312	0698-0084	1	RESISTOR 2.15K +-1% .125W TF TC=0+-100	06424	NK4H.125W1%+/-100PPM2151
R313	0698-0084	1	RESISTOR 2.15K +-1% .125W TF TC=0+-100	06424	NK4H.125W1%+/-100PPM2151
R315	0698-0084	1	RESISTOR 2.15K +-1% .125W TF TC=0+-100	06424	NK4H.125W1%+/-100PPM2151
R316	0757-0401	1	RESISTOR 100 +-1% .125W TF TC=0+-100	05524	CMF-551000FT-1
R317	0698-3442	1	RESISTOR 237 +-1% .125W TF TC=0+-100	05524	CMF-552370FT-1
R318	0757-0394	1	RESISTOR 51.1 +-1% .125W TF TC=0+-100	05524	CMF-5551R1FT-1

*Indicates factory-selected value

CLIP 08563-90199 21

**HP Part Number 08563-60132
Radio Frequency (continued)**

Reference Designator	HP Part Number	Qty	Description	Mfr Code	Mfr Part Number
R319	0698-0084	1	RESISTOR 2.15K +-1% .125W TF TC=0+-100	06424	NK4H.125W1%+/-100PPM2151
R320	0699-1421	1	RESISTOR 178 +-1% .125W TKF TC=0+-100	09891	RK73H2BT1780F
R321	0699-1364	1	RESISTOR 68.1 +-1% .125W TKF TC=0+-100	05524	CRCW120668R1F
R322	0699-1421	1	RESISTOR 178 +-1% .125W TKF TC=0+-100	09891	RK73H2BT1780F
R323	0699-1364	1	RESISTOR 68.1 +-1% .125W TKF TC=0+-100	05524	CRCW120668R1F
R324	0699-1421	1	RESISTOR 178 +-1% .125W TKF TC=0+-100	09891	RK73H2BT1780F
R325	0699-1364	1	RESISTOR 68.1 +-1% .125W TKF TC=0+-100	05524	CRCW120668R1F
R400	0757-0401	1	RESISTOR 100 +-1% .125W TF TC=0+-100	05524	CMF-551000FT-1
R401	0757-0401	1	RESISTOR 100 +-1% .125W TF TC=0+-100	05524	CMF-551000FT-1
R402	0757-0397	1	RESISTOR 68.1 +-1% .125W TF TC=0+-100	06424	NK4H.125W1%+/-100PPM68R1
R403	0757-0428	1	RESISTOR 1.62K +-1% .125W TF TC=0+-100	05524	CMF-551621FT-1
R404	0698-3440	1	RESISTOR 196 +-1% .125W TF TC=0+-100	05524	CMF-551960FT-1
R405	0757-0428	1	RESISTOR 1.62K +-1% .125W TF TC=0+-100	05524	CMF-551621FT-1
R406	0698-3132	1	RESISTOR 261 +-1% .125W TF TC=0+-100	06424	NK4H.125W1%+/-100PPM261R0
R407	0698-3434	1	RESISTOR 34.8 +-1% .125W TF TC=0+-100	06424	NK4H.125W1%+/-100PPM34R8
R408	0757-0401	1	RESISTOR 100 +-1% .125W TF TC=0+-100	05524	CMF-551000FT-1
R409	0757-0401	1	RESISTOR 100 +-1% .125W TF TC=0+-100	05524	CMF-551000FT-1
R410	0757-0397	1	RESISTOR 68.1 +-1% .125W TF TC=0+-100	06424	NK4H.125W1%+/-100PPM68R1
R411	0698-3438	1	RESISTOR 147 +-1% .125W TF TC=0+-100	05524	CMF-551470FT-1
R412	0757-0419	1	RESISTOR 681 +-1% .25W TF TC=0+-100	06424	NK4H.25W1%+/-100PPM681
R413	0757-0400	1	RESISTOR 90.9 +-1% .125W TF TC=0+-100	05524	CMF-5590R9FT-1
R414	0757-0400	1	RESISTOR 90.9 +-1% .125W TF TC=0+-100	05524	CMF-5590R9FT-1
R415	0698-3437	1	RESISTOR 133 +-1% .125W TF TC=0+-100	05524	CMF-551330FT-1
R416	0698-3437	1	RESISTOR 133 +-1% .125W TF TC=0+-100	05524	CMF-551330FT-1
R417	0698-4037	1	RESISTOR 46.4 +-1% .125W TF TC=0+-100	06424	NK4H.125W1%+/-100PPM46R4
R420	0698-7220	1	RESISTOR 215 +-1% .05W TF TC=0+-100	06424	NK3H.05W1%+/-100PPM215R0
R421	0698-3443	1	RESISTOR 287 +-1% .125W TF TC=0+-100	06424	NK4H.125W1%+/-100PPM287R0
R422	0698-3443	1	RESISTOR 287 +-1% .125W TF TC=0+-100	06424	NK4H.125W1%+/-100PPM287R0
R423	0698-3443	1	RESISTOR 287 +-1% .125W TF TC=0+-100	06424	NK4H.125W1%+/-100PPM287R0
R424	0698-7222	1	RESISTOR 261 +-1% .05W TF TC=0+-100	06424	NK3H.05W1%+/-100PPM261R0
R425	0698-7230	1	RESISTOR 562 +-1% .05W TF TC=0+-100	05524	CMF-555620FT-1
R426	0698-3442	1	RESISTOR 237 +-1% .125W TF TC=0+-100	05524	CMF-552370FT-1
R427	0698-3445	1	RESISTOR 348 +-1% .125W TF TC=0+-100	06424	NK4H.125W1%+/-100PPM348R0
R428	0698-3445	1	RESISTOR 348 +-1% .125W TF TC=0+-100	06424	NK4H.125W1%+/-100PPM348R0
R429	0698-7196	1	RESISTOR 21.5 +-1% .05W TF TC=0+-100	05524	CMF-5021R5FT-1

HP Part Number 08563-60132
Radio Frequency (continued)

Reference Designator	HP Part Number	Qty	Description	Mfr Code	Mfr Part Number
R430	0698-7260	1	RESISTOR 10K +-1% .05W TF TC=0+-100	06424	NK3H.05W1%+/-100PPM1002
R431	0698-7260	1	RESISTOR 10K +-1% .05W TF TC=0+-100	06424	NK3H.05W1%+/-100PPM1002
R432	0698-7260	1	RESISTOR 10K +-1% .05W TF TC=0+-100	06424	NK3H.05W1%+/-100PPM1002
R433	0698-7260	1	RESISTOR 10K +-1% .05W TF TC=0+-100	06424	NK3H.05W1%+/-100PPM1002
R434	0698-7260	1	RESISTOR 10K +-1% .05W TF TC=0+-100	06424	NK3H.05W1%+/-100PPM1002
R435	0698-7218	1	RESISTOR 178 +-1% .05W TF TC=0+-100	06424	NK3H.05W1%+/-100PPM178R0
R436	0757-1094	1	RESISTOR 1.47K +-1% .125W TF TC=0+-100	05524	CMF-551471FT-1
R437	0698-7218	1	RESISTOR 178 +-1% .05W TF TC=0+-100	06424	NK3H.05W1%+/-100PPM178R0
R438	0757-1094	1	RESISTOR 1.47K +-1% .125W TF TC=0+-100	05524	CMF-551471FT-1
R439	0698-7260	1	RESISTOR 10K +-1% .05W TF TC=0+-100	06424	NK3H.05W1%+/-100PPM1002
R440	0698-7260	1	RESISTOR 10K +-1% .05W TF TC=0+-100	06424	NK3H.05W1%+/-100PPM1002
R441	0698-8547	1	RESISTOR 4K +-0.5% .1W TF TC=0+-5	09454	PR1/10T54K0.5%
R442	0698-7403	1	RESISTOR 1.285K +-0.1% .125W TF TC=0+-50	05524	CMF-551R285KBT-2
R446	0698-7236	1	RESISTOR 1K +-1% .05W TF TC=0+-100	06424	NK3H.05W1%+/-100PPM1001
R447	0757-0346	1	RESISTOR 10 +-1% .125W TF TC=0+-100	06424	NK4H.125W1%+/-100PPM10R0
R448	0698-7188	1	RESISTOR 10 +-1% .05W TF TC=0+-100	06424	NK3H.05W1%+/-100PPM10R0
R449	0698-7220	1	RESISTOR 215 +-1% .05W TF TC=0+-100	06424	NK3H.05W1%+/-100PPM215R0
R450	0698-7188	1	RESISTOR 10 +-1% .05W TF TC=0+-100	06424	NK3H.05W1%+/-100PPM10R0
R451	0698-7212	1	RESISTOR 100 +-1% .05W TF TC=0+-100	06424	NK3H.05W1%+/-100PPM100R0
R452	1810-0708	1	NET-RES 5 1.5K OHM 6-PIN	05524	MSP06A01-152G
R456	0698-7260	1	RESISTOR 10K +-1% .05W TF TC=0+-100	06424	NK3H.05W1%+/-100PPM1002
R457	0698-7229	1	RESISTOR 511 +-1% .05W TF TC=0+-100	06424	NK3H.05W1%+/-100PPM511R0
R458	0698-7261	1	RESISTOR 11K +-1% .05W TF TC=0+-100	05524	CMF-501102FT-1
R459	0698-7261	1	RESISTOR 11K +-1% .05W TF TC=0+-100	05524	CMF-501102FT-1
R460	0698-7230	1	RESISTOR 562 +-1% .05W TF TC=0+-100	05524	CMF-555620FT-1
R462	0698-7260	1	RESISTOR 10K +-1% .05W TF TC=0+-100	06424	NK3H.05W1%+/-100PPM1002
R463	0698-7260	1	RESISTOR 10K +-1% .05W TF TC=0+-100	06424	NK3H.05W1%+/-100PPM1002
R464	0757-0443	1	RESISTOR 11K +-1% .125W TF TC=0+-100	05524	CMF-551102FT-1
R465	0698-3440	1	RESISTOR 196 +-1% .125W TF TC=0+-100	05524	CMF-551960FT-1
R466	0757-0394	1	RESISTOR 51.1 +-1% .125W TF TC=0+-100	05524	CMF-5551R1FT-1
R467	0698-7260	1	RESISTOR 10K +-1% .05W TF TC=0+-100	06424	NK3H.05W1%+/-100PPM1002
R468	0698-7260	1	RESISTOR 10K +-1% .05W TF TC=0+-100	06424	NK3H.05W1%+/-100PPM1002
R469	0757-0276	1	RESISTOR 61.9 +-1% .125W TF TC=0+-100	05524	CMF-5561R9FT-1
R470	0757-0416	1	RESISTOR 511 +-1% .125W TF TC=0+-100	06424	NK4H.125W1%+/-100PPM511R0
R471	0698-7210	1	RESISTOR 82.5 +-1% .05W TF TC=0+-100	06424	NK3H.05W1%+/-100PPM82R5

*Indicates factory-selected value

**HP Part Number 08563-60132
Radio Frequency (continued)**

Reference Designator	HP Part Number	Qty	Description	Mfr Code	Mfr Part Number
R472	0698-7214	1	RESISTOR 121 +-1% .05W TF TC=0+-100	06424	NK3H.05W1%+/-100PPM121R0
R473	0698-3132	1	RESISTOR 261 +-1% .125W TF TC=0+-100	06424	NK4H.125W1%+/-100PPM261R0
R474	0698-7212	1	RESISTOR 100 +-1% .05W TF TC=0+-100	06424	NK3H.05W1%+/-100PPM100R0
R475	0698-7207	1	RESISTOR 61.9 +-1% .05W TF TC=0+-100	06424	NK3H.05W1%+/-100PPM61R9
R476	0698-7222	1	RESISTOR 261 +-1% .05W TF TC=0+-100	06424	NK3H.05W1%+/-100PPM261R0
R477	0698-7207	1	RESISTOR 61.9 +-1% .05W TF TC=0+-100	06424	NK3H.05W1%+/-100PPM61R9
R478	0698-7233	1	RESISTOR 750 +-1% .05W TF TC=0+-100	06424	NK3H.05W1%+/-100PPM750R0
R479	0698-7221	1	RESISTOR 237 +-1% .05W TF TC=0+-100	05524	CMF-502370FT-1
R480	0698-3445	1	RESISTOR 348 +-1% .125W TF TC=0+-100	06424	NK4H.125W1%+/-100PPM348R0
R481	0698-7240	1	RESISTOR 1.47K +-1% .05W TF TC=0+-100	06424	NK3H.05W1%+/-100PPM1471
R482	0698-7225	1	RESISTOR 348 +-1% .05W TF TC=0+-100	06424	NK3H.05W1%+/-100PPM348R0
R483	0698-7188	1	RESISTOR 10 +-1% .05W TF TC=0+-100	06424	NK3H.05W1%+/-100PPM10R0
R484	0698-7236	1	RESISTOR 1K +-1% .05W TF TC=0+-100	06424	NK3H.05W1%+/-100PPM1001
R486	0757-0442	1	RESISTOR 10K +-1% .125W TF TC=0+-100	05524	CMF-551002FT-1
R487	0757-0442	1	RESISTOR 10K +-1% .125W TF TC=0+-100	05524	CMF-551002FT-1
R488	0757-0442	1	RESISTOR 10K +-1% .125W TF TC=0+-100	05524	CMF-551002FT-1
R489	0757-0400	1	RESISTOR 90.9 +-1% .125W TF TC=0+-100	05524	CMF-5590R9FT-1
R490	0757-0276	1	RESISTOR 61.9 +-1% .125W TF TC=0+-100	05524	CMF-5561R9FT-1
R491	0698-7207	1	RESISTOR 61.9 +-1% .05W TF TC=0+-100	06424	NK3H.05W1%+/-100PPM61R9
R492	0698-7208	1	RESISTOR 68.1 +-1% .05W TF TC=0+-100	05524	CMF-5068R1FT-1
R493	0698-3445	1	RESISTOR 348 +-1% .125W TF TC=0+-100	06424	NK4H.125W1%+/-100PPM348R0
R494	0698-7260	1	RESISTOR 10K +-1% .05W TF TC=0+-100	06424	NK3H.05W1%+/-100PPM1002
R495	0698-7260	1	RESISTOR 10K +-1% .05W TF TC=0+-100	06424	NK3H.05W1%+/-100PPM1002
R496	0698-7221	1	RESISTOR 237 +-1% .05W TF TC=0+-100	05524	CMF-502370FT-1
R501	0699-1421	1	RESISTOR 178 +-1% .125W TKF TC=0+-100	09891	RK73H2BT1780F
R502	0699-1421	1	RESISTOR 178 +-1% .125W TKF TC=0+-100	09891	RK73H2BT1780F
R503	0699-1356	1	RESISTOR 31.6 +-1% .25W TKF TC=0+-100	09891	RK73H2BT31R6F
R504	0699-1391	1	RESISTOR 10K +-1% .125W TKF TC=0+-100	05524	CRCW12061002F
R505	0699-1429	1	RESISTOR 383 +-1% .125W TKF TC=0+-100	09891	RK73H2BT3830F
R506	0699-1376	1	RESISTOR 2.15K +-1% .125W TKF TC=0+-100	09891	RK73H2BT2151F
R507	0699-1425	1	RESISTOR 261 +-1% .125W TKF TC=0+-100	00746	MCR18-F-2610
R509	0699-1361	1	RESISTOR 51.1 +-1% .125W TKF TC=0+-100	05524	CRCW120651R1F
R510	0699-1391	1	RESISTOR 10K +-1% .125W TKF TC=0+-100	05524	CRCW12061002F
R511	0699-1383	1	RESISTOR 4.22K +-1% .125W TKF TC=0+-100	00746	MCR18-F-4221
R512	0699-1432	1	RESISTOR 511 +-1% .125W TKF TC=0+-100	00746	MCR18-F-5110

HP Part Number 08563-60132
Radio Frequency (continued)

Reference Designator	HP Part Number	Qty	Description	Mfr Code	Mfr Part Number
R513	0699-1361	1	RESISTOR 51.1 +-1% .125W TKF TC=0+-100	05524	CRCW120651R1F
R514	0699-1361	1	RESISTOR 51.1 +-1% .125W TKF TC=0+-100	05524	CRCW120651R1F
R515	0699-1422	1	RESISTOR 196 +-1% .125W TKF TC=0+-100	09891	RK73H2BT1960F
R516	0699-1370	1	RESISTOR 1.21K +-1% .125W TKF TC=0+-100	05524	CRCW12061211F
R517	0699-1427	1	RESISTOR 316 +-1% .125W TKF TC=0+-100	09891	RK73H2BT3160F
R518	0699-1344	1	RESISTOR 10 +-1% .125W TKF TC=0+-100	09891	RK73H2BT10R0F
R519	0699-1391	1	RESISTOR 10K +-1% .125W TKF TC=0+-100	05524	CRCW12061002F
R520	0699-2776	1	RESISTOR 1 +-10% .125W TKF TC=0+-500	00746	MCR18-K-010
R521	0699-1344	1	RESISTOR 10 +-1% .125W TKF TC=0+-100	09891	RK73H2BT10R0F
R522	0699-1365	1	RESISTOR 75 +-1% .125W TKF TC=0+-100	05524	CRCW120675R0F
R523	0699-1377	1	RESISTOR 2.37K +-1% .125W TKF TC=0+-100	09891	RK73H2BT2371F
R524	0699-1418	1	RESISTOR 133 +-1% .125W TKF TC=0+-100	05524	CRCW12061330F
R525	0699-1318	1	RESISTOR 1K +-1% .125W TKF TC=0+-100	00746	MCR18-F-1001
R526	0757-0424	1	RESISTOR 1.1K +-1% .125W TF TC=0+-100	06424	NK4H.125W1%+/-100PPM1101
R527	0757-0418	1	RESISTOR 619 +-1% .125W TF TC=0+-100	05524	CMF-556190FT-1
R528	0699-1422	1	RESISTOR 196 +-1% .125W TKF TC=0+-100	09891	RK73H2BT1960F
R529	0699-1391	1	RESISTOR 10K +-1% .125W TKF TC=0+-100	05524	CRCW12061002F
R530	0757-0180	1	RESISTOR 31.6 +-1% .125W TF TC=0+-100	06424	NK4H.125W1%+/-100PPM31R6
R531	0757-0405	1	RESISTOR 162 +-1% .125W TF TC=0+-100	06424	NK4H.125W1%+/-100PPM162R0
R532	0757-0405	1	RESISTOR 162 +-1% .125W TF TC=0+-100	06424	NK4H.125W1%+/-100PPM162R0
R533	0699-1344	1	RESISTOR 10 +-1% .125W TKF TC=0+-100	09891	RK73H2BT10R0F
R534	0757-0442	1	RESISTOR 10K +-1% .125W TF TC=0+-100	05524	CMF-551002FT-1
R535	0698-3447	1	RESISTOR 422 +-1% .125W TF TC=0+-100	05524	CMF-554220FT-1
R536	0698-3438	1	RESISTOR 147 +-1% .125W TF TC=0+-100	05524	CMF-551470FT-1
R537	0698-0084	1	RESISTOR 2.15K +-1% .125W TF TC=0+-100	06424	NK4H.125W1%+/-100PPM2151
R538	0698-3132	1	RESISTOR 261 +-1% .125W TF TC=0+-100	06424	NK4H.125W1%+/-100PPM261R0
R539	0699-1415	1	RESISTOR 100 +-1% .125W TKF TC=0+-100	05524	CRCW12061000F
R540	0698-3443	1	RESISTOR 287 +-1% .125W TF TC=0+-100	06424	NK4H.125W1%+/-100PPM287R0
R541	0698-7188	1	RESISTOR 10 +-1% .05W TF TC=0+-100	06424	NK3H.05W1%+/-100PPM10R0
R543	0698-3443	1	RESISTOR 287 +-1% .125W TF TC=0+-100	06424	NK4H.125W1%+/-100PPM287R0
R544	0757-0294	1	RESISTOR 17.8 +-1% .125W TF TC=0+-100	05524	CMF-5517R8FT-1
R545	0698-3444	1	RESISTOR 316 +-1% .125W TF TC=0+-100	06424	NK4H.125W1%+/-100PPM316R0
R546	0698-0085	1	RESISTOR 2.61K +-1% .25W TF TC=0+-100	05524	CMF-552611FT-1
R547	0757-0416	1	RESISTOR 511 +-1% .125W TF TC=0+-100	06424	NK4H.125W1%+/-100PPM511R0
R548	0757-0442	1	RESISTOR 10K +-1% .125W TF TC=0+-100	05524	CMF-551002FT-1

*Indicates factory-selected value

CLIP 08563-90199 25

**HP Part Number 08563-60132
Radio Frequency (continued)**

Reference Designator	HP Part Number	Qty	Description	Mfr Code	Mfr Part Number
R549	0757-0398	1	RESISTOR 75 +-1% .125W TF TC=0+-100	05524	CMF-5575R0FT-1
R550	0757-0401	1	RESISTOR 100 +-1% .125W TF TC=0+-100	05524	CMF-551000FT-1
R551	0757-0403	1	RESISTOR 121 +-1% .125W TF TC=0+-100	05524	CMF-551210FT-1
R552	0757-0394	1	RESISTOR 51.1 +-1% .125W TF TC=0+-100	05524	CMF-5551R1FT-1
R553	0757-0416	1	RESISTOR 511 +-1% .125W TF TC=0+-100	06424	NK4H.125W1%+/-100PPM511R0
R554	0757-0280	1	RESISTOR 1K +-1% .125W TF TC=0+-100	05524	CMF-551001FT-1
R555	0757-0465	1	RESISTOR 100K +-1% .125W TF TC=0+-100	05524	CMF-551003FT-1
R556	0757-0442	1	RESISTOR 10K +-1% .125W TF TC=0+-100	05524	CMF-551002FT-1
R557	0757-0416	1	RESISTOR 511 +-1% .125W TF TC=0+-100	06424	NK4H.125W1%+/-100PPM511R0
R558	0757-0401	1	RESISTOR 100 +-1% .125W TF TC=0+-100	05524	CMF-551000FT-1
R561	2100-3091	1	RESISTOR-TRMR 2K 10% TKF TOP-ADJ 17-TRN	04568	67WR
R562	0698-3154	1	RESISTOR 4.22K +-1% .125W TF TC=0+-100	05524	CMF-554221FT-1
R563	0698-6360	1	RESISTOR 10K +-0.1% .125W TF TC=0+-25	05524	CMF-551002BT-9
R564	0698-3454	1	RESISTOR 215K +-1% .125W TF TC=0+-100	06424	NK4H.125W1%+/-100PPM2153
R565	0757-0405	1	RESISTOR 162 +-1% .125W TF TC=0+-100	06424	NK4H.125W1%+/-100PPM162R0
R566	0698-0082	1	RESISTOR 464 +-1% .125W TF TC=0+-100	06424	NK4H.125W1%+/-100PPM464R0
R567	0699-1365	1	RESISTOR 75 +-1% .125W TKF TC=0+-100	05524	CRCW120675R0F
R568	0699-1417	1	RESISTOR 121 +-1% .125W TKF TC=0+-100	09891	RK73H2BT1210F
R569	0699-1365	1	RESISTOR 75 +-1% .125W TKF TC=0+-100	05524	CRCW120675R0F
R570	0699-1382	1	RESISTOR 3.83K +-1% .125W TKF TC=0+-100	05524	CRCW12063831F
R571	0699-1358	1	RESISTOR 38.3 +-1% .125W TKF TC=0+-100	09891	RK73H2BT38R3F
R572	0699-1434	1	RESISTOR 619 +-1% .125W TKF TC=0+-100	05524	CRCW12061960F
R573	0699-1389	1	RESISTOR 8.25K +-1% .125W TKF TC=0+-100	05524	CRCW12068251F
R574	0699-1388	1	RESISTOR 7.5K +-1% .125W TKF TC=0+-100	05524	CRCW12067501F
R576	0699-1371	1	RESISTOR 1.33K +-1% .125W TKF TC=0+-100	05524	CRCW12061331F
R577	0699-1371	1	RESISTOR 1.33K +-1% .125W TKF TC=0+-100	05524	CRCW12061331F
R578	0699-1371	1	RESISTOR 1.33K +-1% .125W TKF TC=0+-100	05524	CRCW12061331F
R579	0699-1371	1	RESISTOR 1.33K +-1% .125W TKF TC=0+-100	05524	CRCW12061331F
R580	0699-1320	1	RESISTOR 19.6K +-1% .125W TKF TC=0+-100	09891	RK73H2BT1962F
R581	0699-1320	1	RESISTOR 19.6K +-1% .125W TKF TC=0+-100	09891	RK73H2BT1962F
R582	0699-1391	1	RESISTOR 10K +-1% .125W TKF TC=0+-100	05524	CRCW12061002F
R583	0699-1380	1	RESISTOR 3.16K +-1% .125W TKF TC=0+-100	05524	CRCW12063161F
R584	0699-1391	1	RESISTOR 10K +-1% .125W TKF TC=0+-100	05524	CRCW12061002F
R585	0699-1370	1	RESISTOR 1.21K +-1% .125W TKF TC=0+-100	05524	CRCW12061211F
R586	0698-3394	1	RESISTOR 31.6 +-1% .5W TF TC=0+-100	05524	CMF-6531R6FT-1

HP Part Number 08563-60132
Radio Frequency (continued)

Reference Designator	HP Part Number	Qty	Description	Mfr Code	Mfr Part Number
R587	0699-1421	1	RESISTOR 178 +-1% .125W TKF TC=0+-100	09891	RK73H2BT1780F
R588	0699-1356	1	RESISTOR 31.6 +-1% .25W TKF TC=0+-100	09891	RK73H2BT31R6F
R589	0699-1421	1	RESISTOR 178 +-1% .125W TKF TC=0+-100	09891	RK73H2BT1780F
R590	0699-1437	1	RESISTOR 825 +-1% .125W TKF TC=0+-100	00746	MCR18-F-8250
R591	0699-1419	1	RESISTOR 147 +-1% .125W TKF TC=0+-100	05524	CRCW12061470F
R592	0699-1348	1	RESISTOR 14.7 +-1% .125W TKF TC=0+-100	05524	CRCW120614R7F
R593	0699-2064	1	RESISTOR 6.8 +-5% .125W TKF TC=0+-500	00746	MCR18-J-6R8
R595	0699-1425	1	RESISTOR 261 +-1% .125W TKF TC=0+-100	00746	MCR18-F-2610
R596	0699-1429	1	RESISTOR 383 +-1% .125W TKF TC=0+-100	09891	RK73H2BT3830F
R597	0699-1361	1	RESISTOR 51.1 +-1% .125W TKF TC=0+-100	05524	CRCW120651R1F
R621	0699-1369	1	RESISTOR 1.1K +-1% .125W TKF TC=0+-100	05524	CRCW12061101F
R622	0699-1432	1	RESISTOR 511 +-1% .125W TKF TC=0+-100	00746	MCR18-F-5110
R637	0699-1422	1	RESISTOR 196 +-1% .125W TKF TC=0+-100	09891	RK73H2BT1960F
R638	0699-1436	1	RESISTOR 750 +-1% .125W TKF TC=0+-100	09891	RK73H2BT7500F
R644	0699-1418	1	RESISTOR 133 +-1% .125W TKF TC=0+-100	05524	CRCW12061330F
R645	0699-1418	1	RESISTOR 133 +-1% .125W TKF TC=0+-100	05524	CRCW12061330F
R646	0699-1418	1	RESISTOR 133 +-1% .125W TKF TC=0+-100	05524	CRCW12061330F
R647	0699-1418	1	RESISTOR 133 +-1% .125W TKF TC=0+-100	05524	CRCW12061330F
R648	0699-1318	1	RESISTOR 1K +-1% .125W TKF TC=0+-100	00746	MCR18-F-1001
R649	0699-1318	1	RESISTOR 1K +-1% .125W TKF TC=0+-100	00746	MCR18-F-1001
R650	0699-1318	1	RESISTOR 1K +-1% .125W TKF TC=0+-100	00746	MCR18-F-1001
R652	0699-1415	1	RESISTOR 100 +-1% .125W TKF TC=0+-100	05524	CRCW12061000F
R653	0699-1432	1	RESISTOR 511 +-1% .125W TKF TC=0+-100	00746	MCR18-F-5110
R654	0699-1344	1	RESISTOR 10 +-1% .125W TKF TC=0+-100	09891	RK73H2BT10R0F
R655	0699-1376	1	RESISTOR 2.15K +-1% .125W TKF TC=0+-100	09891	RK73H2BT2151F
R656	0699-1354	1	RESISTOR 26.1 +-1% .125W TKF TC=0+-100	09891	RK73H2BT26R1F
R657	0699-1344	1	RESISTOR 10 +-1% .125W TKF TC=0+-100	09891	RK73H2BT10R0F
R658	0699-1391	1	RESISTOR 10K +-1% .125W TKF TC=0+-100	05524	CRCW12061002F
R659	0699-1383	1	RESISTOR 4.22K +-1% .125W TKF TC=0+-100	00746	MCR18-F-4221
R661	0699-1391	1	RESISTOR 10K +-1% .125W TKF TC=0+-100	05524	CRCW12061002F
R662	0699-1419	1	RESISTOR 147 +-1% .125W TKF TC=0+-100	05524	CRCW12061470F
R663	0699-1437	1	RESISTOR 825 +-1% .125W TKF TC=0+-100	00746	MCR18-F-8250
R664	0699-1361	1	RESISTOR 51.1 +-1% .125W TKF TC=0+-100	05524	CRCW120651R1F
R665	0699-1330	1	RESISTOR 100K +-1% .125W TKF TC=0+-100	00746	MCR18-F-1003
R666	0699-1385	1	RESISTOR 5.11K +-1% .125W TKF TC=0+-100	05524	CRCW12065111F

*Indicates factory-selected value

**HP Part Number 08563-60132
Radio Frequency (continued)**

Reference Designator	HP Part Number	Qty	Description	Mfr Code	Mfr Part Number
R667	0699-1391	1	RESISTOR 10K +-1% .125W TKF TC=0+-100	05524	CRCW12061002F
R668	0699-1391	1	RESISTOR 10K +-1% .125W TKF TC=0+-100	05524	CRCW12061002F
R669	0699-1379	1	RESISTOR 2.87K +-1% .125W TKF TC=0+-100	00746	MCR18-F-2871
R670	0699-1329	1	RESISTOR 6.19K +-1% .125W TKF TC=0+-100	05524	CRCW12066191F
R671	0699-1391	1	RESISTOR 10K +-1% .125W TKF TC=0+-100	05524	CRCW12061002F
R672	0699-1365	1	RESISTOR 75 +-1% .125W TKF TC=0+-100	05524	CRCW120675R0F
R673	0699-1361	1	RESISTOR 51.1 +-1% .125W TKF TC=0+-100	05524	CRCW120651R1F
R674	0699-1391	1	RESISTOR 10K +-1% .125W TKF TC=0+-100	05524	CRCW12061002F
R675	0699-1361	1	RESISTOR 51.1 +-1% .125W TKF TC=0+-100	05524	CRCW120651R1F
R676	0699-1344	1	RESISTOR 10 +-1% .125W TKF TC=0+-100	09891	RK73H2BT10R0F
R677	0699-1415	1	RESISTOR 100 +-1% .125W TKF TC=0+-100	05524	CRCW12061000F
R678	0699-1415	1	RESISTOR 100 +-1% .125W TKF TC=0+-100	05524	CRCW12061000F
R679	0699-1381	1	RESISTOR 3.48K +-1% .125W TKF TC=0+-100	05524	CRCW12063481F
R680	0699-1420	1	RESISTOR 162 +-1% .125W TKF TC=0+-100	00746	MCR18-F-1620
R681	0699-1420	1	RESISTOR 162 +-1% .125W TKF TC=0+-100	00746	MCR18-F-1620
R682	0699-1420	1	RESISTOR 162 +-1% .125W TKF TC=0+-100	00746	MCR18-F-1620
R683	0699-1391	1	RESISTOR 10K +-1% .125W TKF TC=0+-100	05524	CRCW12061002F
R684	0699-1399	1	RESISTOR 23.7K +-1% .125W TKF TC=0+-100	05524	CRCW12062372F
R700	0699-1374	1	RESISTOR 1.78K +-1% .125W TKF TC=0+-100	09891	RK73H2BT1781F
R701	0699-1349	1	RESISTOR 16.2 +-1% .125W TKF TC=0+-100	09891	RK73H2BT16R2F
R702	0699-1349	1	RESISTOR 16.2 +-1% .125W TKF TC=0+-100	09891	RK73H2BT16R2F
R703	0699-1349	1	RESISTOR 16.2 +-1% .125W TKF TC=0+-100	09891	RK73H2BT16R2F
R704	0699-1349	1	RESISTOR 16.2 +-1% .125W TKF TC=0+-100	09891	RK73H2BT16R2F
R705	0699-1438	1	RESISTOR 909 +-1% .125W TKF TC=0+-100	05524	CRCW12069090F
R706	0699-1369	1	RESISTOR 1.1K +-1% .125W TKF TC=0+-100	05524	CRCW12061101F
R707	0699-1429	1	RESISTOR 383 +-1% .125W TKF TC=0+-100	09891	RK73H2BT3830F
R708	0699-1423	1	RESISTOR 215 +-1% .125W TKF TC=0+-100	05524	CRCW12062150F
R709	0699-1353	1	RESISTOR 23.7 +-1% .125W TKF TC=0+-100	00746	MCR18-F-23R7
R710	0699-1423	1	RESISTOR 215 +-1% .125W TKF TC=0+-100	05524	CRCW12062150F
R711	0699-1422	1	RESISTOR 196 +-1% .125W TKF TC=0+-100	09891	RK73H2BT1960F
R712	0699-1320	1	RESISTOR 19.6K +-1% .125W TKF TC=0+-100	09891	RK73H2BT1962F
R713	0699-1370	1	RESISTOR 1.21K +-1% .125W TKF TC=0+-100	05524	CRCW12061211F
R714	0699-1422	1	RESISTOR 196 +-1% .125W TKF TC=0+-100	09891	RK73H2BT1960F
R715	0699-1421	1	RESISTOR 178 +-1% .125W TKF TC=0+-100	09891	RK73H2BT1780F
R716	0699-1363	1	RESISTOR 61.9 +-1% .125W TKF TC=0+-100	05524	CRCW120661R9F

HP Part Number 08563-60132
Radio Frequency (continued)

Reference Designator	HP Part Number	Qty	Description	Mfr Code	Mfr Part Number
R717	0699-1354	1	RESISTOR 26.1 +-1% .125W TKF TC=0+-100	09891	RK73H2BT26R1F
R718	0699-1416	1	RESISTOR 110 +-1% .125W TKF TC=0+-100	05524	CRCW12061100F
R719	0699-1423	1	RESISTOR 215 +-1% .125W TKF TC=0+-100	05524	CRCW12062150F
R720	0699-1423	1	RESISTOR 215 +-1% .125W TKF TC=0+-100	05524	CRCW12062150F
R721	0699-1415	1	RESISTOR 100 +-1% .125W TKF TC=0+-100	05524	CRCW12061000F
R722	0699-1362	1	RESISTOR 56.2 +-1% .125W TKF TC=0+-100	00746	MCR18-F-56R2
R723	0699-1361	1	RESISTOR 51.1 +-1% .125W TKF TC=0+-100	05524	CRCW120651R1F
R724	0699-1416	1	RESISTOR 110 +-1% .125W TKF TC=0+-100	05524	CRCW12061100F
R725	0699-1416	1	RESISTOR 110 +-1% .125W TKF TC=0+-100	05524	CRCW12061100F
R726	0699-1416	1	RESISTOR 110 +-1% .125W TKF TC=0+-100	05524	CRCW12061100F
R727	0699-1416	1	RESISTOR 110 +-1% .125W TKF TC=0+-100	05524	CRCW12061100F
R728	0699-1361	1	RESISTOR 51.1 +-1% .125W TKF TC=0+-100	05524	CRCW120651R1F
R729	0699-1416	1	RESISTOR 110 +-1% .125W TKF TC=0+-100	05524	CRCW12061100F
R730	0699-1416	1	RESISTOR 110 +-1% .125W TKF TC=0+-100	05524	CRCW12061100F
R731	0699-1416	1	RESISTOR 110 +-1% .125W TKF TC=0+-100	05524	CRCW12061100F
R732	0699-1416	1	RESISTOR 110 +-1% .125W TKF TC=0+-100	05524	CRCW12061100F
R733	0699-1364	1	RESISTOR 68.1 +-1% .125W TKF TC=0+-100	05524	CRCW120668R1F
R734	0699-1359	1	RESISTOR 42.2 +-1% .125W TKF TC=0+-100	05524	CRCW120642R2F
R735	0699-1418	1	RESISTOR 133 +-1% .125W TKF TC=0+-100	05524	CRCW12061330F
R736	0699-1359	1	RESISTOR 42.2 +-1% .125W TKF TC=0+-100	05524	CRCW120642R2F
R737	0699-1418	1	RESISTOR 133 +-1% .125W TKF TC=0+-100	05524	CRCW12061330F
R738	0699-1419	1	RESISTOR 147 +-1% .125W TKF TC=0+-100	05524	CRCW12061470F
R739	0699-1344	1	RESISTOR 10 +-1% .125W TKF TC=0+-100	09891	RK73H2BT10R0F
R740	0699-1419	1	RESISTOR 147 +-1% .125W TKF TC=0+-100	05524	CRCW12061470F
R741	0699-1415	1	RESISTOR 100 +-1% .125W TKF TC=0+-100	05524	CRCW12061000F
R801	0757-0280	1	RESISTOR 1K +-1% .125W TF TC=0+-100	05524	CMF-551001FT-1
R802	0757-0280	1	RESISTOR 1K +-1% .125W TF TC=0+-100	05524	CMF-551001FT-1
R803	0698-3439	1	RESISTOR 178 +-1% .125W TF TC=0+-100	05524	CMF-551780FT-1
R804	0698-3442	1	RESISTOR 237 +-1% .125W TF TC=0+-100	05524	CMF-552370FT-1
R805	0698-3442	1	RESISTOR 237 +-1% .125W TF TC=0+-100	05524	CMF-552370FT-1
R806	0699-1391	1	RESISTOR 10K +-1% .125W TKF TC=0+-100	05524	CRCW12061002F
R807	0699-1385	1	RESISTOR 5.11K +-1% .125W TKF TC=0+-100	05524	CRCW12065111F
R808	0699-1361	1	RESISTOR 51.1 +-1% .125W TKF TC=0+-100	05524	CRCW120651R1F
R809	0699-1361	1	RESISTOR 51.1 +-1% .125W TKF TC=0+-100	05524	CRCW120651R1F
R811	0699-1366	1	RESISTOR 82.5 +-1% .125W TKF TC=0+-100	05524	CRCW120682R5F

*Indicates factory-selected value

**HP Part Number 08563-60132
Radio Frequency (continued)**

Reference Designator	HP Part Number	Qty	Description	Mfr Code	Mfr Part Number
R812	0699-1366	1	RESISTOR 82.5 +-1% .125W TKF TC=0+-100	05524	CRCW120682R5F
R813	0699-1367	1	RESISTOR 90.9 +-1% .125W TKF TC=0+-100	05524	CRCW120690R9F
R814	0699-1367	1	RESISTOR 90.9 +-1% .125W TKF TC=0+-100	05524	CRCW120690R9F
R815	0699-1361	1	RESISTOR 51.1 +-1% .125W TKF TC=0+-100	05524	CRCW120651R1F
R816	0699-1361	1	RESISTOR 51.1 +-1% .125W TKF TC=0+-100	05524	CRCW120651R1F
R817	0699-1344	1	RESISTOR 10 +-1% .125W TKF TC=0+-100	09891	RK73H2BT10R0F
R818	0699-1318	1	RESISTOR 1K +-1% .125W TKF TC=0+-100	00746	MCR18-F-1001
R819	0699-1378	1	RESISTOR 2.61K +-1% .125W TKF TC=0+-100	09891	RK73H2BT2611F
R820	0699-1425	1	RESISTOR 261 +-1% .125W TKF TC=0+-100	00746	MCR18-F-2610
R821	0699-1318	1	RESISTOR 1K +-1% .125W TKF TC=0+-100	00746	MCR18-F-1001
R822	0699-1370	1	RESISTOR 1.21K +-1% .125W TKF TC=0+-100	05524	CRCW12061211F
R823	0699-1422	1	RESISTOR 196 +-1% .125W TKF TC=0+-100	09891	RK73H2BT1960F
R824	0699-1361	1	RESISTOR 51.1 +-1% .125W TKF TC=0+-100	05524	CRCW120651R1F
R825	0699-1361	1	RESISTOR 51.1 +-1% .125W TKF TC=0+-100	05524	CRCW120651R1F
R826	0699-1422	1	RESISTOR 196 +-1% .125W TKF TC=0+-100	09891	RK73H2BT1960F
R827	0699-1422	1	RESISTOR 196 +-1% .125W TKF TC=0+-100	09891	RK73H2BT1960F
R828	0699-1415	1	RESISTOR 100 +-1% .125W TKF TC=0+-100	05524	CRCW12061000F
R829	0699-1435	1	RESISTOR 681 +-1% .125W TKF TC=0+-100	09891	RK73H2BT6810F
R830	0699-1378	1	RESISTOR 2.61K +-1% .125W TKF TC=0+-100	09891	RK73H2BT2611F
R831	0699-1427	1	RESISTOR 316 +-1% .125W TKF TC=0+-100	09891	RK73H2BT3160F
R832	0699-1349	1	RESISTOR 16.2 +-1% .125W TKF TC=0+-100	09891	RK73H2BT16R2F
R833	0699-1427	1	RESISTOR 316 +-1% .125W TKF TC=0+-100	09891	RK73H2BT3160F
R834	0699-1344	1	RESISTOR 10 +-1% .125W TKF TC=0+-100	09891	RK73H2BT10R0F
R835	0699-1357	1	RESISTOR 34.8 +-1% .125W TKF TC=0+-100	09891	RK73H2BT34R8F
R836	0699-1357	1	RESISTOR 34.8 +-1% .125W TKF TC=0+-100	09891	RK73H2BT34R8F
R837	0699-1357	1	RESISTOR 34.8 +-1% .125W TKF TC=0+-100	09891	RK73H2BT34R8F
R838	0699-1371	1	RESISTOR 1.33K +-1% .125W TKF TC=0+-100	05524	CRCW12061331F
R839	0699-1378	1	RESISTOR 2.61K +-1% .125W TKF TC=0+-100	09891	RK73H2BT2611F
R840	0699-1361	1	RESISTOR 51.1 +-1% .125W TKF TC=0+-100	05524	CRCW120651R1F
R909	0698-7236	1	RESISTOR 1K +-1% .05W TF TC=0+-100	06424	NK3H.05W1%+/-100PPM1001
R910	0698-7236	1	RESISTOR 1K +-1% .05W TF TC=0+-100	06424	NK3H.05W1%+/-100PPM1001
R911	0698-7236	1	RESISTOR 1K +-1% .05W TF TC=0+-100	06424	NK3H.05W1%+/-100PPM1001
R912	0698-3159	1	RESISTOR 26.1K +-1% .25W TF TC=0+-100	05524	CMF-552612FT-1
R913	0757-0442	1	RESISTOR 10K +-1% .125W TF TC=0+-100	05524	CMF-551002FT-1
R914	0757-0442	1	RESISTOR 10K +-1% .125W TF TC=0+-100	05524	CMF-551002FT-1

HP Part Number 08563-60132
Radio Frequency (continued)

Reference Designator	HP Part Number	Qty	Description	Mfr Code	Mfr Part Number
R915	0757-0442	1	RESISTOR 10K +-1% .125W TF TC=0+-100	05524	CMF-551002FT-1
R916	0698-3440	1	RESISTOR 196 +-1% .125W TF TC=0+-100	05524	CMF-551960FT-1
R917	0698-3440	1	RESISTOR 196 +-1% .125W TF TC=0+-100	05524	CMF-551960FT-1
R918	0757-0465	1	RESISTOR 100K +-1% .125W TF TC=0+-100	05524	CMF-551003FT-1
R919	0757-0458	1	RESISTOR 51.1K +-1% .125W TF TC=0+-100	06424	NK4H.125W1%+/-100PPM5112
R920	0757-0280	1	RESISTOR 1K +-1% .125W TF TC=0+-100	05524	CMF-551001FT-1
R921	0757-0276	1	RESISTOR 61.9 +-1% .125W TF TC=0+-100	05524	CMF-5561R9FT-1
R922	0698-6360	1	RESISTOR 10K +-0.1% .125W TF TC=0+-25	05524	CMF-551002BT-9
R923	0698-6360	1	RESISTOR 10K +-0.1% .125W TF TC=0+-25	05524	CMF-551002BT-9
R924	0698-6630	1	RESISTOR 20K +-0.1% .125W TF TC=0+-25	05524	CMF-552002BT-9
R925	0757-0442	1	RESISTOR 10K +-1% .125W TF TC=0+-100	05524	CMF-551002FT-1
R926	2100-3863	1	RESISTOR-TRMR 200 10% TKF TOP-ADJ 17-TRN	03744	3299W-DM3-201
R927	0757-0442	1	RESISTOR 10K +-1% .125W TF TC=0+-100	05524	CMF-551002FT-1
R929	0757-0442	1	RESISTOR 10K +-1% .125W TF TC=0+-100	05524	CMF-551002FT-1
R930	0757-0442	1	RESISTOR 10K +-1% .125W TF TC=0+-100	05524	CMF-551002FT-1
R931	0757-0442	1	RESISTOR 10K +-1% .125W TF TC=0+-100	05524	CMF-551002FT-1
R932	0757-0442	1	RESISTOR 10K +-1% .125W TF TC=0+-100	05524	CMF-551002FT-1
R934	0698-7272	1	RESISTOR 31.6K +-1% .05W TF TC=0+-100	05524	CMF-503162FT-1
R935	0757-0465	1	RESISTOR 100K +-1% .125W TF TC=0+-100	05524	CMF-551003FT-1
R936	0699-1391	1	RESISTOR 10K +-1% .125W TKF TC=0+-100	05524	CRCW12061002F
R937	0699-1398	1	RESISTOR 21.5K +-1% .125W TKF TC=0+-100	05524	CRCW12062152F
R938	0699-1318	1	RESISTOR 1K +-1% .125W TKF TC=0+-100	00746	MCR18-F-1001
R939	0699-1437	1	RESISTOR 825 +-1% .125W TKF TC=0+-100	00746	MCR18-F-8250
R940	0699-1444	1	RESISTOR 178K +-1% .125W TKF TC=0+-100	05524	CRCW12061783F
R942	0699-1344	1	RESISTOR 10 +-1% .125W TKF TC=0+-100	09891	RK73H2BT10R0F
R943	0699-1318	1	RESISTOR 1K +-1% .125W TKF TC=0+-100	00746	MCR18-F-1001
R944	0699-2847	1	RESISTOR 2K +-0.1% .125W TF TC=0+-25	01172	BLU-1206 2K .1% 25PPM
R945	0699-2847	1	RESISTOR 2K +-0.1% .125W TF TC=0+-25	01172	BLU-1206 2K .1% 25PPM
R946	0699-2847	1	RESISTOR 2K +-0.1% .125W TF TC=0+-25	01172	BLU-1206 2K .1% 25PPM
R947	0699-2847	1	RESISTOR 2K +-0.1% .125W TF TC=0+-25	01172	BLU-1206 2K .1% 25PPM
R948	0699-2489	1	RESISTOR 10K +-0.1% .125W TF TC=0+-25	01172	BLU-1206 10K .1% 25PPM
R949	0699-2489	1	RESISTOR 10K +-0.1% .125W TF TC=0+-25	01172	BLU-1206 10K .1% 25PPM
R950	0699-2490	1	RESISTOR 1K +-0.1% .125W TF TC=0+-25	01172	BLU-1206 1K .1% 25PPM
R951	0699-2490	1	RESISTOR 1K +-0.1% .125W TF TC=0+-25	01172	BLU-1206 1K .1% 25PPM
R952	0699-1380	1	RESISTOR 3.16K +-1% .125W TKF TC=0+-100	05524	CRCW12063161F

*Indicates factory-selected value

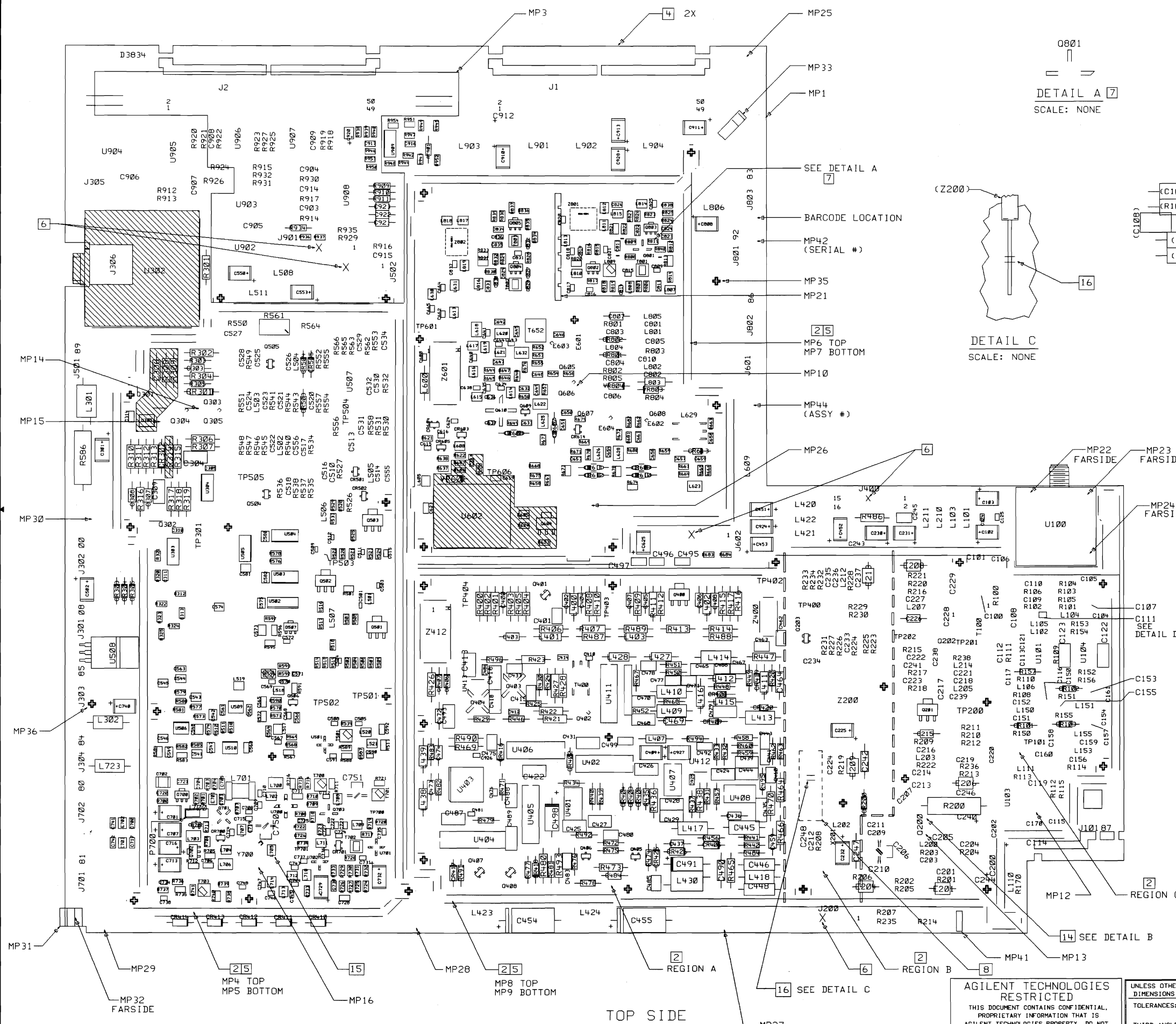
**HP Part Number 08563-60132
Radio Frequency (continued)**

Reference Designator	HP Part Number	Qty	Description	Mfr Code	Mfr Part Number
R953	0699-2841	1	RESISTOR 9K +-0.1% .125W TF TC=0+-25	02499	W1206R039001BT
R954	0699-2841	1	RESISTOR 9K +-0.1% .125W TF TC=0+-25	02499	W1206R039001BT
RT901	0837-0269	1	THERMISTOR TUB WITH AXL LEADS 10K-OHM	10015	P1H103G
T100	9100-4772	1	TRANSFORMER-RF FREQ RANGE;2 TO 600 MHz	02739	TM04-2
T400	9100-4941	1	TRANSFORMER-RF OPERATING FREQUENCY	02391	9100-4941
T501	9100-4982	1	TRANSFORMER-SMALL SIGNAL SMT; PRIMARY	01886	M1590-B
T652	9100-4444	1	TRANSFORMER-RF INPUT IMP.:50 OHMS	02739	T1-1T-X65
T700	9100-5140	1	TRANSFORMER-SMALL SIGNAL SMT, PRIMARY	01886	R4488-A
T701	9100-4982	1	TRANSFORMER-SMALL SIGNAL SMT; PRIMARY	01886	M1590-B
T702	9100-4763	1	TRANSFORMER-SMALL SIGNAL	01886	J9140-A
T703	9100-4982	1	TRANSFORMER-SMALL SIGNAL SMT; PRIMARY	01886	M1590-B
T801	9100-4981	1	TRANSFORMER-SMALL SIGNAL	01886	M1589-B
T802	9100-4983	1	TRANSFORMER-SMALL SIGNAL SMT; PRI	01886	M1591-B
T803	9100-4983	1	TRANSFORMER-SMALL SIGNAL SMT; PRI	01886	M1591-B
U100	5086-7806	1	SAMPLER AY	09507	5086-7806
U101	5087-3036	1		28480	5087-3036
U103	1813-0213	1	IC WIDEBAND AMPL 3-TO-39	02688	MWA130
U104	1826-1461	1	IC OP AMP LOW-BIAS-H-IMPD 8 PIN DIP-P	01698	TL071ACP
U303	1820-5945	1	IC GATE CMOS/AC NAND QUAD 2-INP	36633	MC74AC00D
U304	1820-5945	1	IC GATE CMOS/AC NAND QUAD 2-INP	36633	MC74AC00D
U401	1826-2307	1	D/A 12-BIT 8-PLASTIC CMOS	03285	DAC-8043-HP
U402	1826-2555	1	IC OP AMP LOW-NOISE QUAD 14 PIN DIP-P	36633	MC33179P
U403	1820-7310	1	IC CNTR ECL/10E BIN SYNCHRO	36633	MC10E016FN
U404	1820-6072	1	IC CNTR CMOS/AC BIN SYNC/ASYN 16-PDIP	02237	74AC161PC
U405	1820-5655	1	IC GATE CMOS/AC OR QUAD 2-INP 14-PDIP	02237	74AC32PC
U406	1820-3081	1	IC FF CMOS/HC D-TYPE POS-EDGE-TRIG	01698	SN74HC74N
U407	1826-1369	1	IC PWR MGT-V-REF-FXD 9.95/10.05V 8 PINS	10858	LT1021DCN8-10
U408	1826-1049	1	IC OP AMP PRCN 8 PIN DIP-C	03285	OP-27GZ
U411	1826-0138	1	IC COMPARATOR GP QUAD 14 PIN DIP-P	03406	LM339N
U412	1826-0276	1	IC PWR MGT-V-REG-FXD-POS 4.8/5.2V TO-92	03406	LM78L05ACZ
U413	1826-0275	1	IC PWR MGT-V-REG-FXD-POS 11.5/12.5V	03406	LM78L12ACZ
U501	1826-2168	1	IC RF/IF AMPL HIGH-GAIN SINGLE 4 PIN	01542	HPMA-0486T15
U502	5087-8048	1	IC AC160 S COUNT	28480	5087-8048
U503	1820-5937	1	IC FF CMOS/AC D-TYPE POS-EDGE-TRIG	02237	74AC74SC.
U504	1820-5937	1	IC FF CMOS/AC D-TYPE POS-EDGE-TRIG	02237	74AC74SC.

**HP Part Number 08563-60132
Radio Frequency (continued)**

Reference Designator	HP Part Number	Qty	Description	Mfr Code	Mfr Part Number
U505	1820-5936	1	IC GATE CMOS/AC OR QUAD 2-INP	36633	MC74AC32DR2
U506	1826-1925	1	IC OP AMP LOW-NOISE SINGLE 8 PIN	03285	OP-27GS
U507	1826-0890	1	IC OP AMP GP DUAL 8 PIN DIP-P	03406	LM358AN
U508	1826-0122	1	IC PWR MGT-V-REG-FXD-POS 4.8/5.2V TO-220	03406	LM340T-5
U509	1826-1925	1	IC OP AMP LOW-NOISE SINGLE 8 PIN	03285	OP-27GS
U510	1826-1687	1	IC PWR MGT-V-REF-FXD 9.95/10.05V 8 PINS	10858	LT1021DCS8-10
U700	1826-2421	1	IC RF/IF AMPL 4 PIN U-WAVE-PILL	01542	MSA0505
U701	1826-2168	1	IC RF/IF AMPL HIGH-GAIN SINGLE 4 PIN	01542	HPMA-0486T15
U702	1826-2175	1	IC RF/IF AMPL SINGLE 4 PIN U-WAVE-PILL	01542	MSA-0386-TR1
U902	1826-1289	1	IC COMPARATOR LP QUAD 14 PIN DIP-P	03406	LP339N
U903	1820-4465	1	IC FF CMOS/HCT D-TYPE POS-EDGE-TRIG COM	02910	74HCT377N
U904	1820-4465	1	IC FF CMOS/HCT D-TYPE POS-EDGE-TRIG COM	02910	74HCT377N
U905	1826-2239	1	D/A 12-BIT 16-PLASTIC CMOS	03285	AD7542KN
U906	1826-1165	1	IC OP AMP GP DUAL 8 PIN DIP-C	03285	OP-14EZ
U907	1826-0635	1	IC OP AMP LOW-OFS 8 PIN DIP-P	10858	OP-07CN8
U908	LTB1858-0008KI	1		28480	LTB1858-0008KI
U909	1826-2171	1	IC OP AMP LOW-BIAS-H-IMPQ QUAD 14 PIN	36633	MC33284D
VR803	1902-0943	1	DIODE-ZNR 2.4V 5% DO-35 PD=.4W TC=-.037%	36633	SZ30035-1RL
VR804	1902-0943	1	DIODE-ZNR 2.4V 5% DO-35 PD=.4W TC=-.037%	36633	SZ30035-1RL
Y700	0410-4065	1	PRECISION BULK MODE-AT	01409	0410-4065
Z200	5021-6707	1	CABLE-RESONANT	28480	5021-6707
Z400	0955-0113	1	U-WAVE MIXER 1 GHZ MAX	02739	TFM-2-38
Z412	0955-0250	1	U-WAVE POWER SPLITTER 650 MHZ MAX	02739	PSC-2-1W
Z601	0955-0604	1	U-WAVE MIXER 1 GHZ MAX	02739	SAY-2-3
Z801	0410-2527	1	RESONATOR-CERAMIC 310.7 MHZ	10743	1GA1-8011
Z802	0410-2527	1	RESONATOR-CERAMIC 310.7 MHZ	10743	1GA1-8011

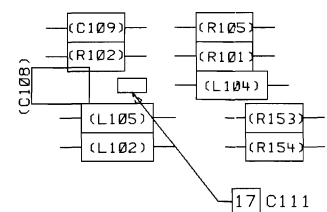
*Indicates factory-selected value



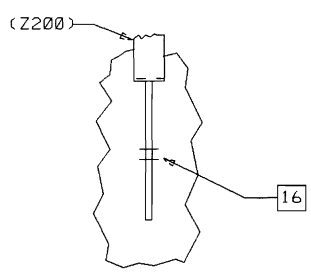
TORQUE MATRIX

REF. DES.	TORQUE VALUE
MP22-24	5.0 IN-LBS
MP35, 36	5.0 IN-LBS
MP32	7.0 IN-LBS

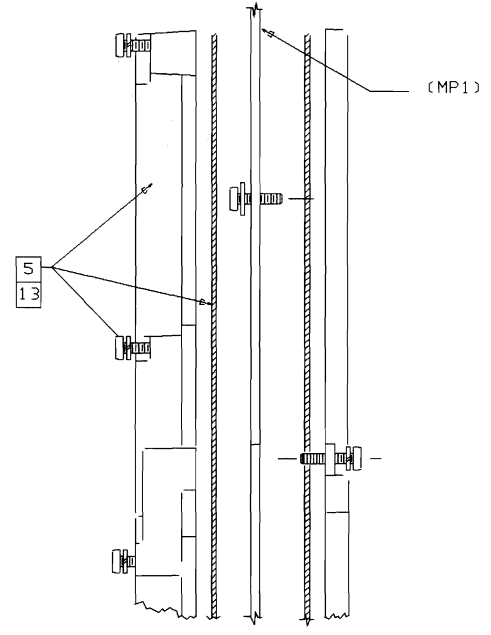
DETAIL A
SCALE: NONE



DETAIL D



DETAIL C
SCALE: NONE



- NOTES:** UNLESS OTHERWISE SPECIFIED.
- ALL DIMENSIONS ARE IN INCHES.
 - MAXIMUM COMPONENT HEIGHT UNDER MP4 IS .385
* EXCEPT R561 = .430
MAXIMUM COMPONENT HEIGHT UNDER MP6 IS .385
* EXCEPT Z601 = .415
MAXIMUM COMPONENT HEIGHT UNDER MP8 IS AS FOLLOWS:
REGION A = .385
* EXCEPT FOR Z412 = .415
REGION B = .306
REGION C = .345
* EXCEPT FOR Q200, C200, C240, C210 = .385
(C210 TUNING SCREW PROTRUDES THROUGH SHIELD)
MAXIMUM HEIGHT OF J2 = .375
 - MAXIMUM LEAD TRIM LENGTH .118
 - REMOVE BREAKOFF TABS AFTER MACHINE SOLDER.
 - SCREWS FOR SHIELD AND SPIRO-GASKETS, ARE ON MATERIAL LIST FOR SHIELDS. MAKE SURE ALL PARTS ARE INTACT.
 - ASSURE THAT PIN #9 HAS BEEN REMOVED FROM J200, J400, J502, J602 AND J901.
 - CLIP LEAD ON Q801 AS SHOWN IN DETAIL A.
 - HOLES (EXCEPT WHERE Z200 IS SOLDERED) ARE TO BE FREE OF SOLDER.
 - THE OUTER CONDUCTOR OF Z200 MUST BE SOLDERED TO THE BOARD AT EACH END AND IN THE CENTER. THE ENDS OF THE CABLE MUST BE FLUSH ON THE BOARD AND THE CENTER OF THE CABLE MUST BE A MAXIMUM OF .020 OFF THE BOARD.
 - SHIELD MATING SURFACES AND MOUNTING HOLES MUST BE FREE OF EXCESSIVE SOLDER.
 - USE RAW BOARD 08563-20132.
 - HATCHED COMPONENTS ARE NOT LOADED FOR THIS ASSEMBLY.
 - SHIELD ASSEMBLY WILL BE DONE BY INSTRUMENT ASSEMBLY.
 - SEE SHEET 2 OF ASSEMBLY FOR DETAIL B, ON LOADING OF C208.
 - LOAD L705 WITH THE FOLLOWING ALTERNATE PARTS AT THE LINE TECHNICIANS DISCRETION. 9140-1103 .68UH OR 9140-1101 .47UH
 - SOLDER MP45 INTO HOLE UNDER LEAD OF Z200 AND WRAP MP45 AROUND AND SOLDER TO Z200 LEAD.
 - SOLDER C111 TO PADS AS SHOWN IN DETAIL D.

SEE MATERIAL LIST 08563-60132

AGILENT TECHNOLOGIES RESTRICTED
THIS DOCUMENT CONTAINS CONFIDENTIAL, PROPRIETARY INFORMATION THAT IS AGILENT TECHNOLOGIES PROPERTY. DO NOT DISCLOSE TO OR DUPLICATE FOR OTHERS EXCEPT AS AUTHORIZED BY AGILENT TECHNOLOGIES.

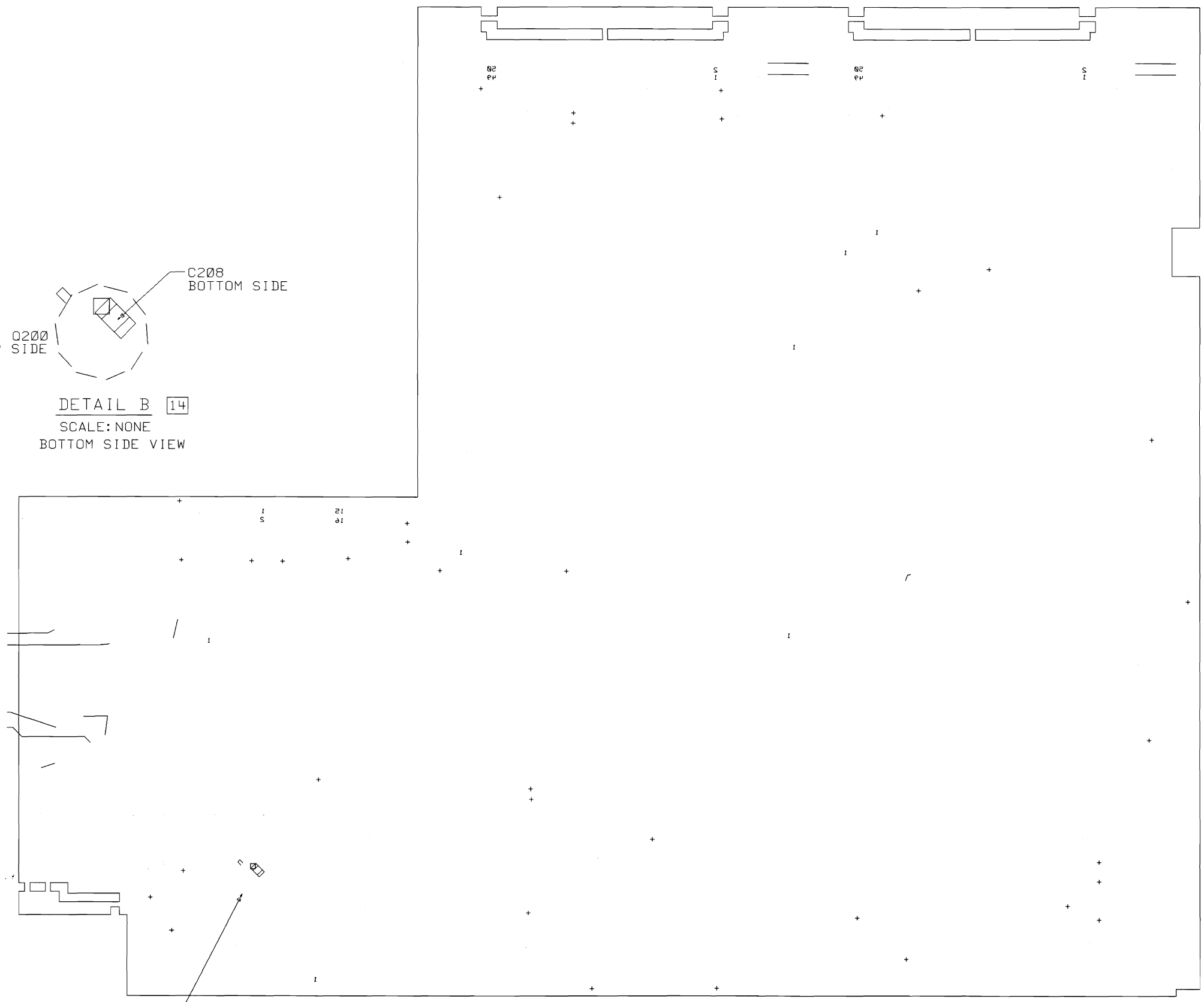
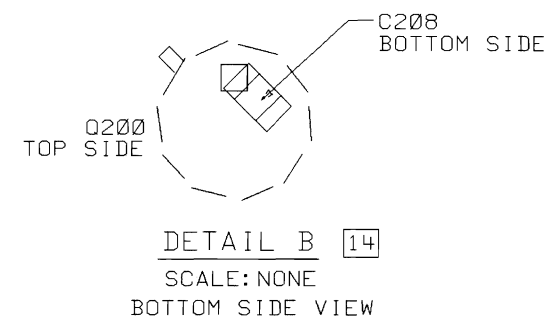
UNLESS OTHERWISE SPECIFIED, DIMENSIONS ARE IN INCHES.
TOLERANCES: XX.XXX ±.010
 XX.XX ±.02
THIRD ANGLE PROJECTION
DO NOT SCALE THIS DRAWING

DRAWN BY	DATE
ENGINEER/CHECKER	DATE
RELEASE TO PROD.	DATE
SUPERSEDES DWG.	

ASSEMBLY, PWB RADIO FREQUENCY BOARD

FILENAME	act132
SCALE	NONE
SHEET	1 of 2
PART NUMBER	08563-60132
TITLE	D-08563-60132-2

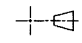
5300		D-08563-60132-2	
SYM	REVISIONS	APPROVED	DATE
E	CHANGED PER PCO 53-13664 SL		
F	CHANGED PER ECO 53-14971 /LN		



SEE DETAIL B
14


BOTTOM SIDE

**AGILENT TECHNOLOGIES
RESTRICTED**
THIS DOCUMENT CONTAINS CONFIDENTIAL,
PROPRIETARY INFORMATION THAT IS
AGILENT TECHNOLOGIES PROPERTY. DO NOT
DISCLOSE TO OR DUPLICATE FOR OTHERS EXCEPT
AS AUTHORIZED BY AGILENT TECHNOLOGIES.

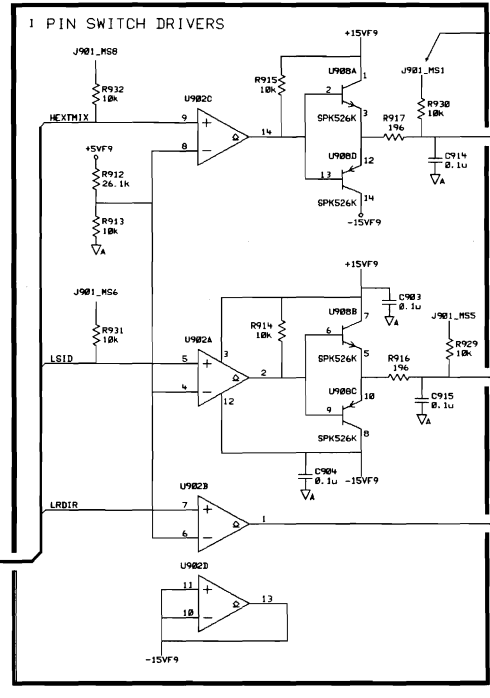
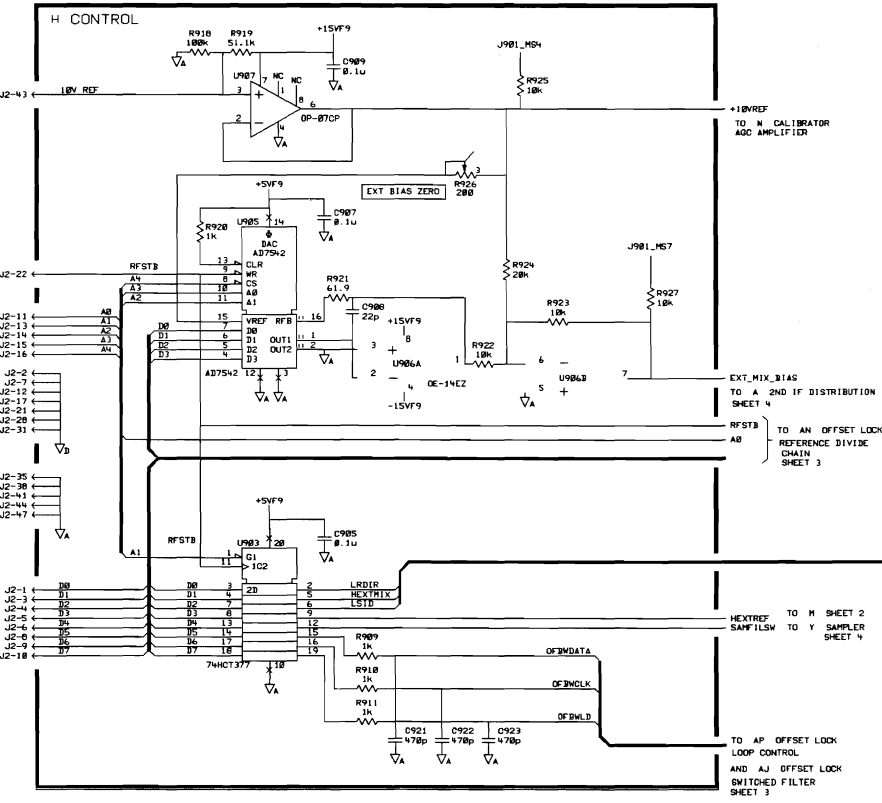
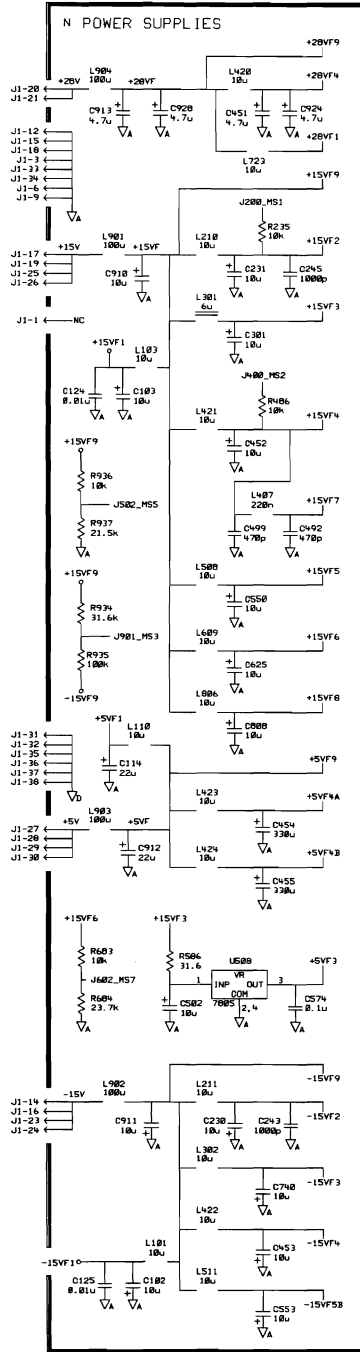
UNLESS OTHERWISE SPECIFIED,
DIMENSIONS ARE IN INCHES.
TOLERANCES: XX.XXX ±.010
 XX.XX ±.02
THIRD ANGLE
PROJECTION 
DO NOT SCALE THIS DRAWING

DRAWN BY	DATE
ENGINEER/CHECKER	DATE
RELEASE TO PROD.	DATE
SUPERSEDES DWG.	

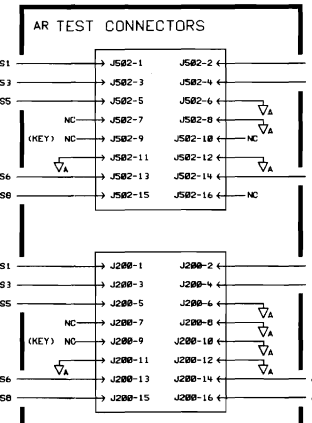
ASSEMBLY, PWB
RADIO FREQUENCY
BOARD

agact132 FILENAME	
SCALE NONE	
SHEET 2 OF 2	08563-60132 PART NUMBER
D-08563-60132-2	

TITLE



12 Volts for EXT 2nd IF
 or
 -12 Volts for INT 2nd IF



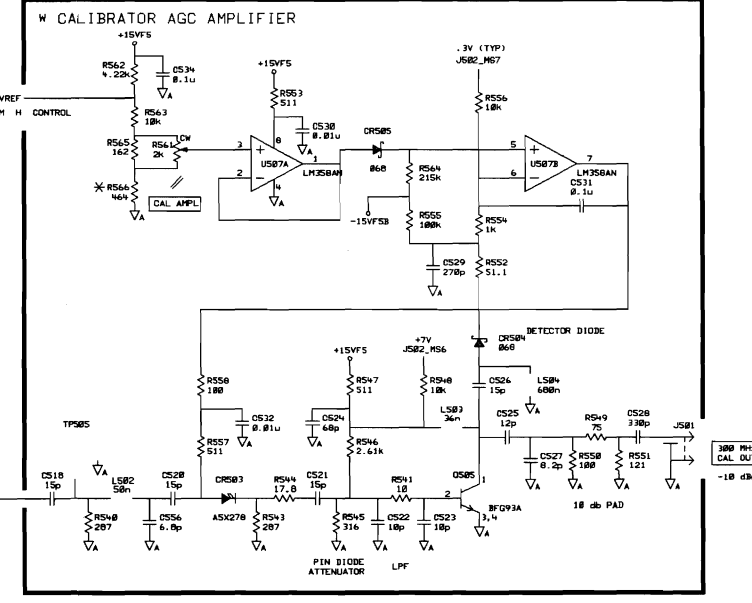
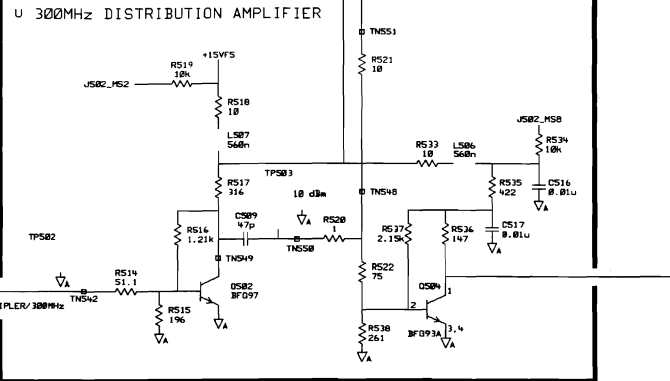
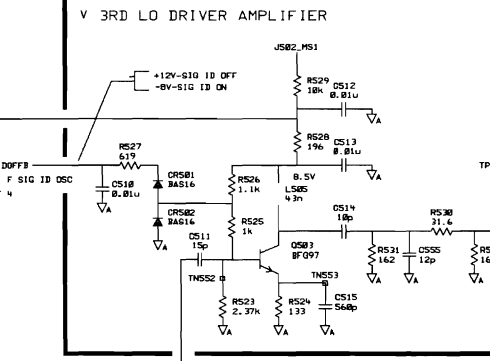
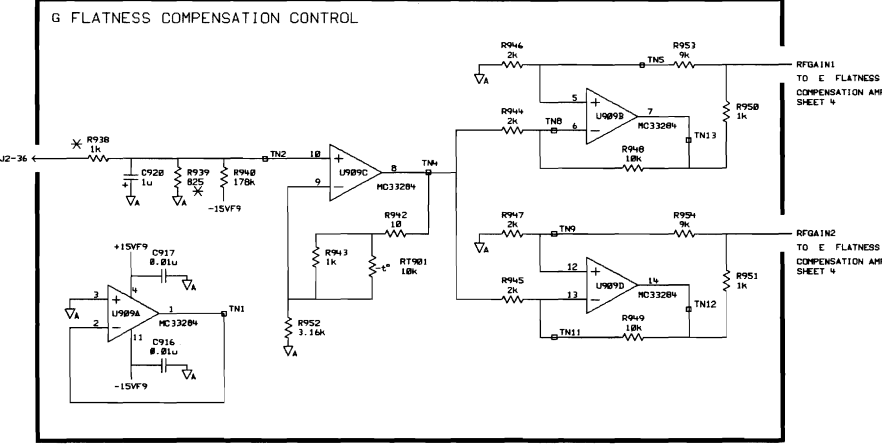
PIN	SIGNAL	TO/FROM	FUNCTION SHY/BLOCK
1	RES1	IN	IN
2	RES2	IN	IN
3	RES3	IN	IN
4	RES4	IN	IN
5	RES5	IN	IN
6	RES6	IN	IN
7	TAP AB	IN	IN
8	TAP AC	IN	IN
9	NC	NC	NC
10	TAP AD	IN	IN
11	TAP AE	IN	IN
12	TAP AF	IN	IN
13	RES7	IN	IN
14	RES8	IN	IN
15	RES9	IN	IN
16	NC	NC	NC

PIN	SIGNAL	TO/FROM	FUNCTION SHY/BLOCK
1	RES1	IN	IN
2	RES2	IN	IN
3	RES3	IN	IN
4	RES4	IN	IN
5	RES5	IN	IN
6	RES6	IN	IN
7	TAP AB	IN	IN
8	TAP AC	IN	IN
9	NC	NC	NC
10	TAP AD	IN	IN
11	TAP AE	IN	IN
12	TAP AF	IN	IN
13	RES7	IN	IN
14	RES8	IN	IN
15	RES9	IN	IN
16	NC	NC	NC

PIN	SIGNAL	TO/FROM	FUNCTION SHY/BLOCK
1	RES1	IN	IN
2	RES2	IN	IN
3	RES3	IN	IN
4	RES4	IN	IN
5	RES5	IN	IN
6	RES6	IN	IN
7	TAP AB	IN	IN
8	TAP AC	IN	IN
9	NC	NC	NC
10	TAP AD	IN	IN
11	TAP AE	IN	IN
12	TAP AF	IN	IN
13	RES7	IN	IN
14	RES8	IN	IN
15	RES9	IN	IN
16	NC	NC	NC

PIN	SIGNAL	TO/FROM	FUNCTION SHY/BLOCK
1	RES1	IN	IN
2	RES2	IN	IN
3	RES3	IN	IN
4	RES4	IN	IN
5	RES5	IN	IN
6	RES6	IN	IN
7	TAP AB	IN	IN
8	TAP AC	IN	IN
9	NC	NC	NC
10	TAP AD	IN	IN
11	TAP AE	IN	IN
12	TAP AF	IN	IN
13	RES7	IN	IN
14	RES8	IN	IN
15	RES9	IN	IN
16	NC	NC	NC

PIN	SIGNAL	TO/FROM	FUNCTION SHY/BLOCK
1	RES1	IN	IN
2	RES2	IN	IN
3	RES3	IN	IN
4	RES4	IN	IN
5	RES5	IN	IN
6	RES6	IN	IN
7	TAP AB	IN	IN
8	TAP AC	IN	IN
9	NC	NC	NC
10	TAP AD	IN	IN
11	TAP AE	IN	IN
12	TAP AF	IN	IN
13	RES7	IN	IN
14	RES8	IN	IN
15	RES9	IN	IN
16	NC	NC	NC



NOTES: UNLESS OTHERWISE SPECIFIED
 1. HATCHED COMPONENTS ARE NOT LOADED FOR THIS ASSEMBLY.
 2. RAW BD = 08563-20132
 3. * COMPONENTS ARE FACTORY SELECT

PART NUMBER	VALUE
0699-1437	825
0699-1438	908
0699-1318	1.00K
0699-1369	1.10K
0699-1378	1.21K
0699-1371	1.33K
0699-1372	1.47K
0699-1984	1.62K
0699-1374	1.78K
0699-1375	1.96K

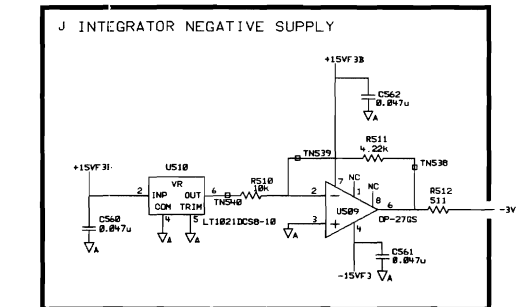
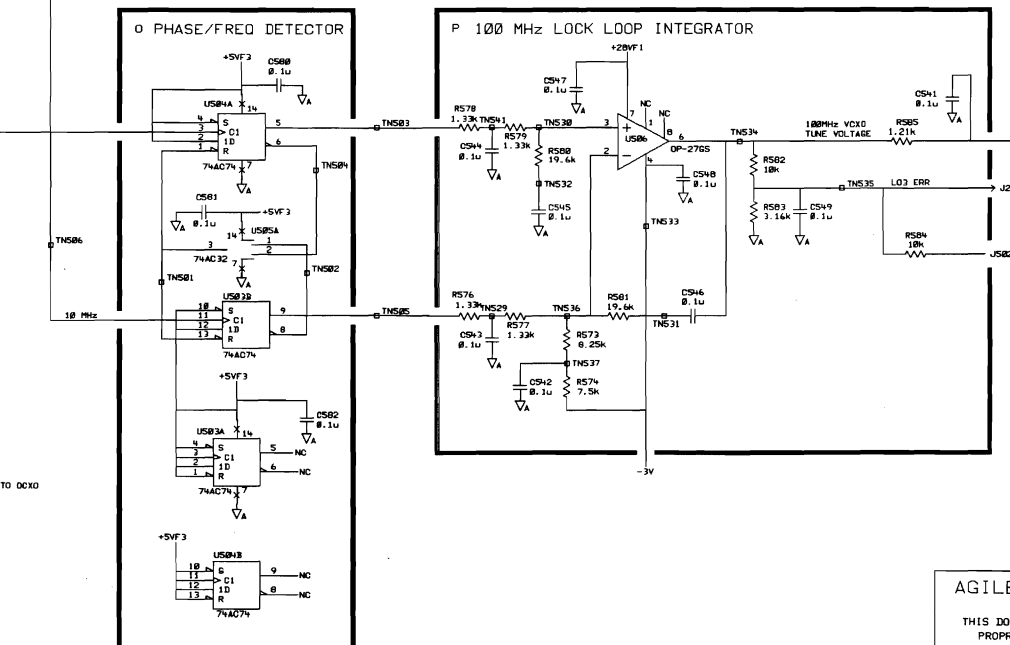
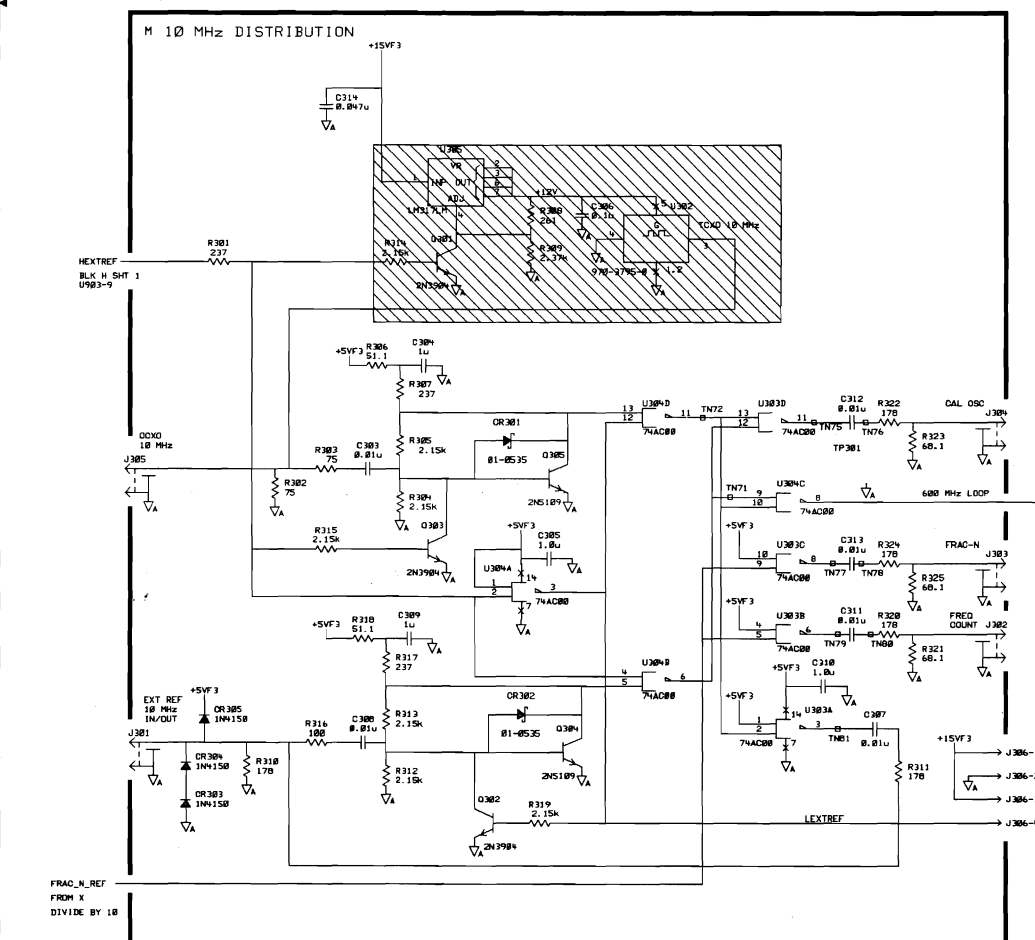
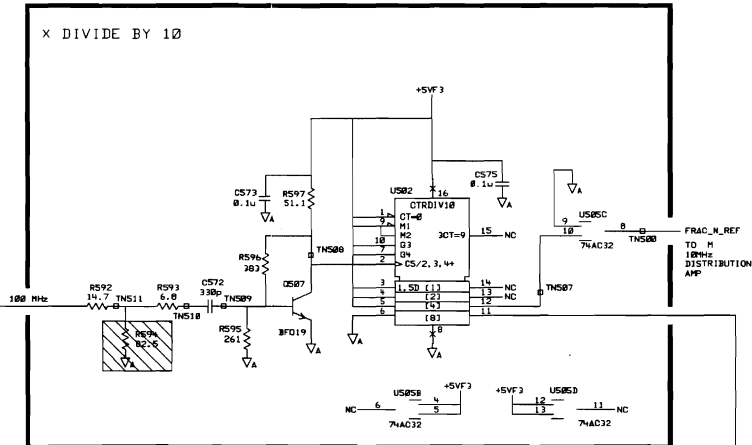
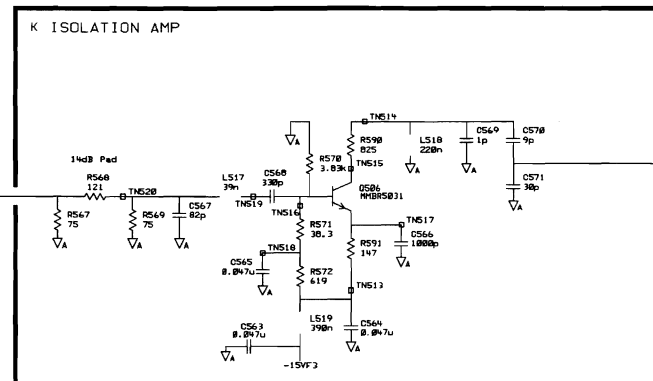
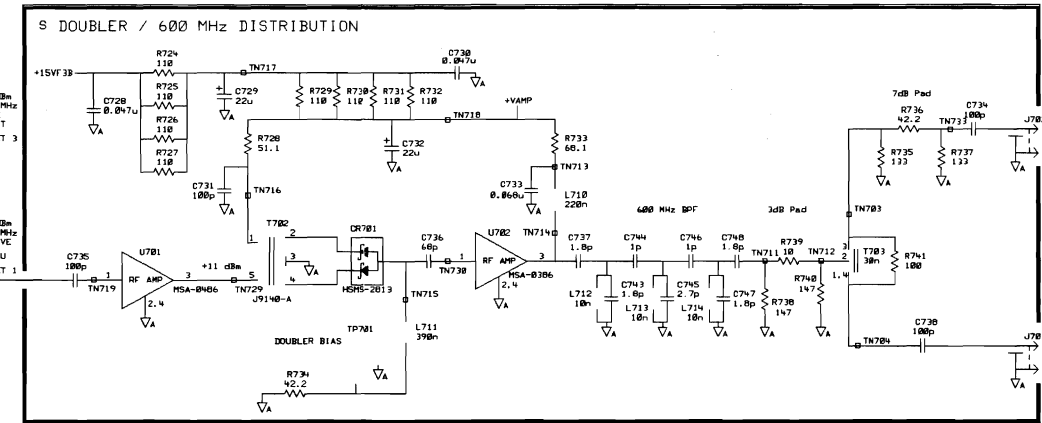
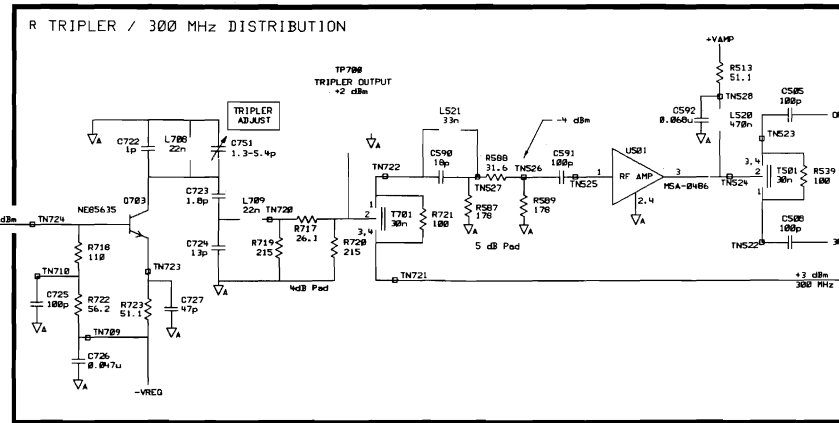
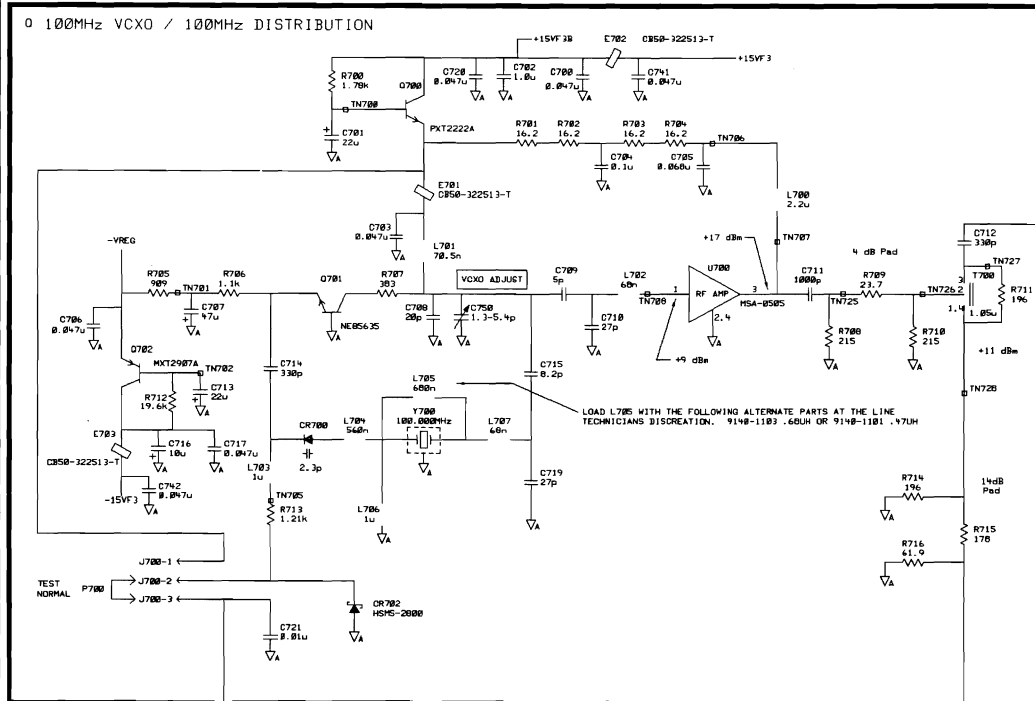
PART NUMBER	VALUE
0699-1423	215
0699-1424	237
0699-1425	261
0699-1426	287
0699-1427	316
0699-1428	348
0699-1429	383
0699-1430	422
0699-1431	464
0699-1432	511
0699-1433	562
0699-1434	619
0699-1435	681
0699-1436	750
0699-1437	825

PART NUMBER	VALUE
0160-4383	6.8 pF
0160-4385	15 pF
0160-3875	22 pF
0160-4493	27 pF
0160-4386	33 pF
0160-4494	39 pF
0160-4387	47 pF

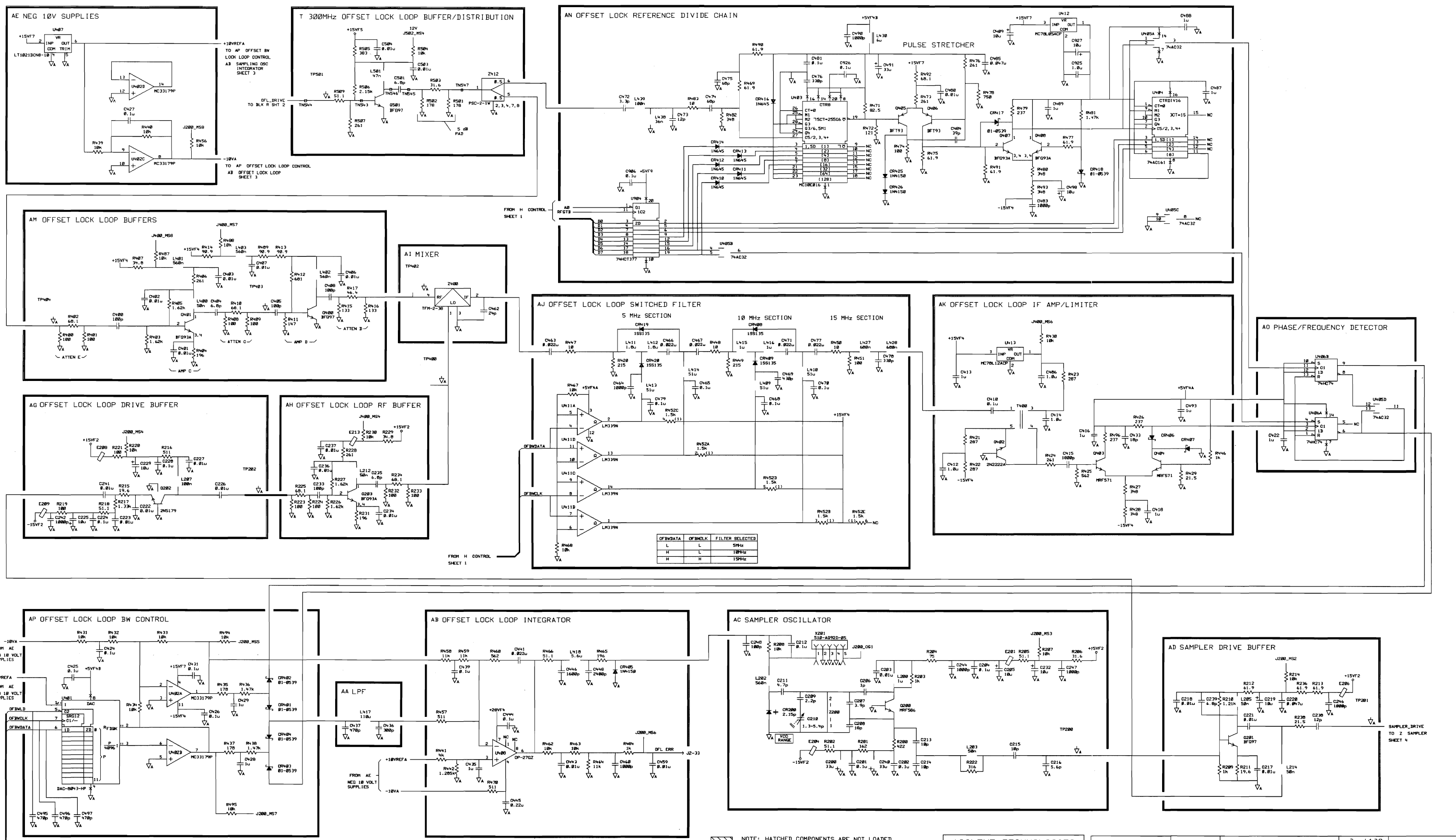
PART NUMBER	VALUE
0698-6355	400
0698-3447	422
0698-3488	442
0698-0082	464
0699-3450	487
0698-6317	500
0757-0416	511

PIN	SIGNAL	TO/FROM	FUNCTION SHY/BLOCK
1	NC	NC	NC
2	NC	NC	NC
3	AGND	IN	IN
4	NC	NC	NC
5	NC	NC	NC
6	AGND	IN	IN
7	NC	NC	NC
8	NC	NC	NC
9	NC	NC	NC
10	AGND	IN	IN
11	NC	NC	NC
12	AGND	IN	IN
13	NC	NC	NC
14	15V	IN	IN
15	AGND	IN	IN
16	-15V	IN	IN
17	AGND	IN	IN
18	15V	IN	IN
19	-15V	IN	IN
20	AGND	IN	IN
21	NC	NC	NC
22	NC	NC	NC
23	15V	IN	IN
24	AGND	IN	IN
25	-15V	IN	IN
26	AGND	IN	IN
27	15V	IN	IN
28	-15V	IN	IN
29	AGND	IN	IN
30	15V	IN	IN
31	NC	NC	NC
32	AGND	IN	IN
33	NC	NC	NC
34	AGND	IN	IN
35	NC	NC	NC
36	NC	NC	NC
37	AGND	IN	IN
38	AGND	IN	IN
39	NC	NC	NC
40	NC	NC	NC
41	NC	NC	NC
42	NC	NC	NC
43	NC	NC	NC
44	NC	NC	NC
45	NC	NC	NC
46	NC	NC	NC
47	NC	NC	NC
48	NC	NC	NC
49	NC	NC	NC
50	NC	NC	NC

PIN	SIGNAL	TO/FROM	FUNCTION SHY/BLOCK
1	30	IN	IN
2	20NS	IN	NOT USED
3	0	IN	IN
4	0	IN	IN
5	0	IN	IN
6	0	IN	IN
7	0	IN	IN
8	0	IN	IN
9	0	IN	IN
10	0	IN	IN
11	0	IN	IN
12	0	IN	IN
13	A1	IN	IN
14	15V	IN	IN
15	A1	IN	IN
16	0	IN	IN
17	0	IN	IN
18	NC	NC	NC
19	NC	NC	NC
20	NC	NC	NC
21	NC	NC	NC
22	NC	NC	NC
23	NC	NC	NC
24	NC	NC	NC
25	NC	NC	NC
26	NC	NC	NC
27	NC	NC	NC
28	NC	NC	NC
29	NC	NC	NC
30	NC	NC	NC
31	NC	NC	NC
32	NC	NC	NC
33	NC	NC	NC
34	NC	NC	NC
35	NC	NC	NC
36	NC	NC	NC
37	NC	NC	NC
38	NC	NC	NC
39	NC	NC	NC
40	NC	NC	NC
41	AGND	IN	IN
42	NC	NC	NC
43	+15V REF	IN	IN
44	NC	NC	NC
45	NC	NC	NC
46	NC	NC	NC
47	NC	NC	NC
48	NC	NC	NC
49	NC	NC	NC
50	NC	NC	NC



NOTE: HATCHED COMPONENTS ARE NOT LOADED FOR THIS ASSEMBLY.



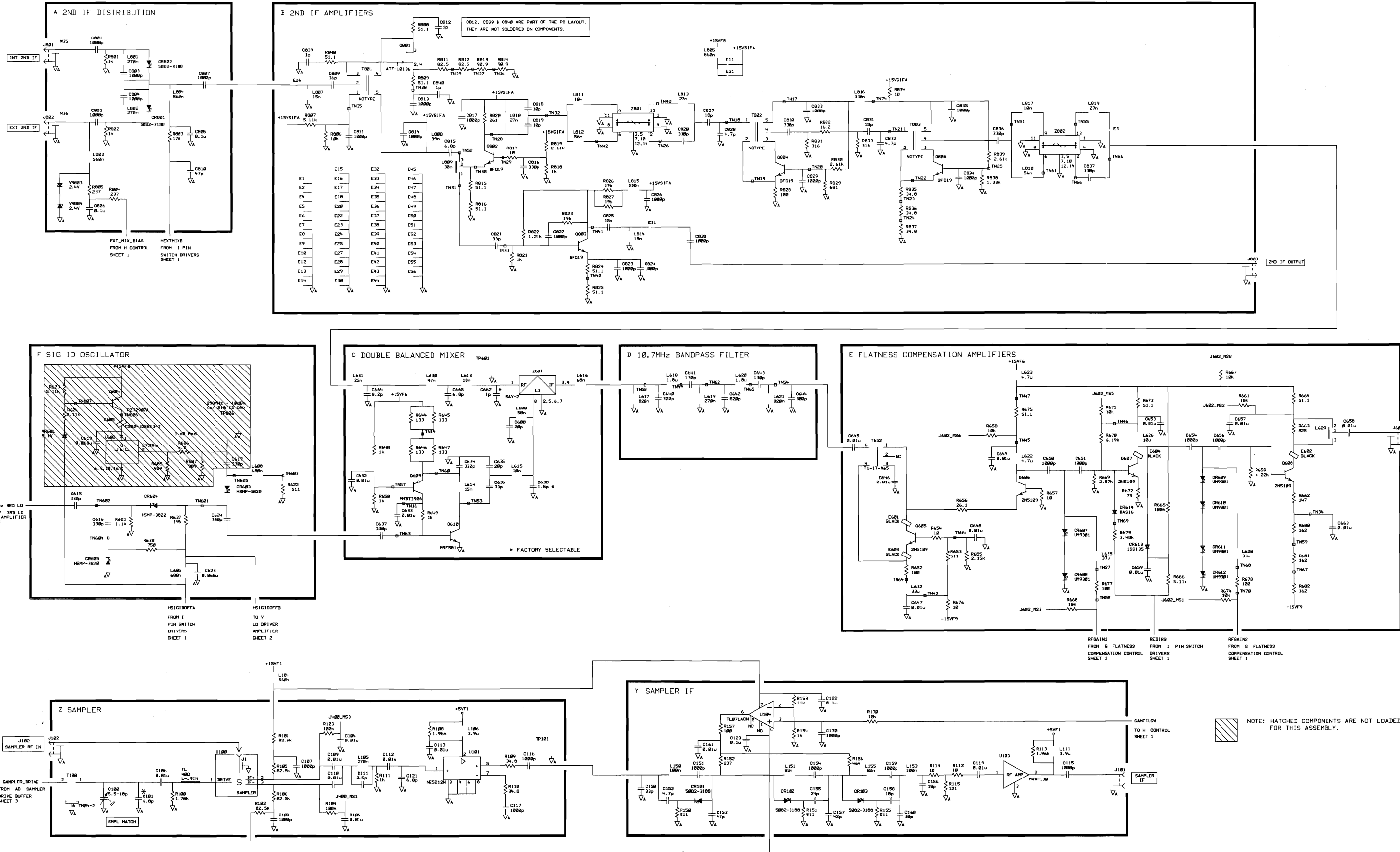
FROM H CONTROL SHEET 1

OFBWDATA	OFBMLK	FILTER SELECTED
L	L	5MHz
H	L	10MHz
H	H	15MHz

NOTE: HATCHED COMPONENTS ARE NOT LOADED FOR THIS ASSEMBLY.

AGILENT TECHNOLOGIES
RESTRICTED
THIS DOCUMENT CONTAINS CONFIDENTIAL, PROPRIETARY INFORMATION THAT IS AGILENT TECHNOLOGIES PROPERTY. DO NOT DISCLOSE TO OR DUPLICATE FOR OTHERS EXCEPT AS AUTHORIZED BY AGILENT TECHNOLOGIES.

DRWN BY	DATE	SCHEMATIC, PWA RADIO FREQUENCY	s3act132 FILENAME	Agilent Technologies
ENGINEER/CHECKER	DATE			
RELEASE TO PROD.	DATE	TITLE	SCALE NONE	SHEET 3 OF 4
SUPERSEDES DWG.				



AGILENT TECHNOLOGIES
 RESTRICTED
 THIS DOCUMENT CONTAINS CONFIDENTIAL,
 PROPRIETARY INFORMATION THAT IS
 AGILENT TECHNOLOGIES PROPERTY. DO NOT
 DISCLOSE TO OR DUPLICATE FOR OTHERS EXCEPT
 AS AUTHORIZED BY AGILENT TECHNOLOGIES.

DRAWN BY	DATE
ENGINEER/CHECKER	DATE
RELEASE TO PROD.	DATE
SUPERSEDES DWG.	

SCHEMATIC, PWA
 RADIO FREQUENCY

s4act132	Agilent Technologies
FILENAME	NONE
SCALE	4 OF 4
SHEET	08563-60132
	PART NUMBER
	08563-60132-1

Component-Level Information Packet for 08563-60133

Radio Frequency



**HP Part No. 08563-90200
Printed in USA June 2000**

Notice. The information contained in this document is subject to change without notice.

Hewlett-Packard makes no warranty of any kind with regard to this material, including, but not limited to, the implied warranties of merchantability and fitness for a particular purpose. Hewlett-Packard shall not be liable for errors contained herein or for incidental or consequential damages in connection with the furnishing, performance, or use of this material.

**HP Part Number 08563-60133
Radio Frequency**

Reference Designator	HP Part Number	Qty	Description	Mfr Code	Mfr Part Number
C100	0121-0061	1	CAP-VAR 18pF 5.5pF 350 V CER	09538	538-016 A 5.5-18
C101	0160-4383	1	CAP-FXD 6.8pF +-7.35% 200 V CER C0G	06352	FD12C0G2D6R8D
C102	0180-4287	1	CAP-FXD 10uF +-20% 35 V TA	02010	TAJD106M035
C103	0180-4287	1	CAP-FXD 10uF +-20% 35 V TA	02010	TAJD106M035
C104	0160-3879	1	CAP-FXD 0.01uF +-20% 100 V CER X7R	06352	FD12X7R2A103M
C105	0160-3879	1	CAP-FXD 0.01uF +-20% 100 V CER X7R	06352	FD12X7R2A103M
C106	0160-3879	1	CAP-FXD 0.01uF +-20% 100 V CER X7R	06352	FD12X7R2A103M
C107	0160-4040	1	CAP-FXD 1000pF +-5% 100 V CER C0G	06352	FD12C0G2A102J
C108	0160-4040	1	CAP-FXD 1000pF +-5% 100 V CER C0G	06352	FD12C0G2A102J
C109	0160-4832	1	CAP-FXD 0.01uF +-10% 100 V CER X7R	02010	SA101C103KAAH
C110	0160-4832	1	CAP-FXD 0.01uF +-10% 100 V CER X7R	02010	SA101C103KAAH
C111	0160-4399	1	CAP-FXD 0.66pF +-50% 50 V CER C0G	06352	FD12C0G1HR66C
C112	0160-4832	1	CAP-FXD 0.01uF +-10% 100 V CER X7R	02010	SA101C103KAAH
C113	0160-3879	1	CAP-FXD 0.01uF +-20% 100 V CER X7R	06352	FD12X7R2A103M
C114	0180-3632	1	CAP-FXD 22uF +-20% 50 V AL-ELCTLT	06360	KMC50VB22R2M6X11RPX
C115	0160-4040	1	CAP-FXD 1000pF +-5% 100 V CER C0G	06352	FD12C0G2A102J
C116	0160-4040	1	CAP-FXD 1000pF +-5% 100 V CER C0G	06352	FD12C0G2A102J
C117	0160-4040	1	CAP-FXD 1000pF +-5% 100 V CER C0G	06352	FD12C0G2A102J
C119	0160-3879	1	CAP-FXD 0.01uF +-20% 100 V CER X7R	06352	FD12X7R2A103M
C121	0160-4383	1	CAP-FXD 6.8pF +-7.35% 200 V CER C0G	06352	FD12C0G2D6R8D
C122	0160-4084	1	CAP-FXD 0.1uF +-20% 50 V CER X7R	02010	SR215C104MAAH
C123	0160-4084	1	CAP-FXD 0.1uF +-20% 50 V CER X7R	02010	SR215C104MAAH
C124	0160-5945	1	CAP-FXD 0.01uF +-10% 50 V CER X7R	02010	08055C103KAT A
C125	0160-5945	1	CAP-FXD 0.01uF +-10% 50 V CER X7R	02010	08055C103KAT A
C150	0160-4386	1	CAP-FXD 33pF +-5% 200 V CER C0G	06352	FD12COG2D330J
C151	0160-4574	1	CAP-FXD 1000pF +-10% 100 V CER X7R	02010	SA101C102KAAH
C152	0160-4795	1	CAP-FXD 4.7pF +-10.64% 100 V CER C0G	02010	SA102A4R7DAAH
C153	0160-4387	1	CAP-FXD 47pF +-5% 200 V CER C0G	06352	FD12C0G2D470J
C154	0160-4040	1	CAP-FXD 1000pF +-5% 100 V CER C0G	06352	FD12C0G2A102J
C155	0160-4524	1	CAP-FXD 24pF +-5% 200 V CER C0G	06352	FD12C0G2D240J
C156	0160-4788	1	CAP-FXD 18pF +-5% 100 V CER C0G	02010	SA101A180JAA
C157	0160-4526	1	CAP-FXD 42pF +-5% 200 V CER C0G	06352	FD12C0G2D426J
C158	0160-4492	1	CAP-FXD 18pF +-5% 200 V CER C0G	06352	FD12C0G2D180J
C159	0160-4040	1	CAP-FXD 1000pF +-5% 100 V CER C0G	06352	FD12C0G2A102J
C160	0160-4766	1	CAP-FXD 30pF +-5% 200 V CER C0G	06352	FD12C0G2D300J

**Indicates factory-selected value*

CLIP 08563-90200 1

Scans by ArtekMedia => 2009

HP Part Number 08563-60133
Radio Frequency (continued)

Reference Designator	HP Part Number	Qty	Description	Mfr Code	Mfr Part Number
C161	0160-3879	1	CAP-FXD 0.01uF +-20% 100 V CER X7R	06352	FD12X7R2A103M
C170	0160-4040	1	CAP-FXD 1000pF +-5% 100 V CER C0G	06352	FD12C0G2A102J
C200	0180-3838	1	CAP-FXD 33uF +-20% 25 V AL-ELCTLT	06360	SRG25VB33RM5X7RPX
C201	0160-4835	1	CAP-FXD 0.1uF +-10% 50 V CER X7R	02010	SA105C104KAAH
C202	0160-4084	1	CAP-FXD 0.1uF +-20% 50 V CER X7R	02010	SR215C104MAAH
C203	0160-4832	1	CAP-FXD 0.01uF +-10% 100 V CER X7R	02010	SA101C103KAAH
C204	0160-4835	1	CAP-FXD 0.1uF +-10% 50 V CER X7R	02010	SA105C104KAAH
C205	0180-4003	1	CAP-FXD 10uF +-10% 25 V TA	12340	T398E106K025AS
C206	0160-4380	1	CAP-FXD 1pF +-25% 200 V CER C0G	06352	FD11C0G2D010C
C207	0160-4796	1	CAP-FXD 3.9pF +-6.4% 100 V CER C0G	02010	SA101A3R9CAAH
C208	0160-5963	1	CAP-FXD 18pF +-5% 50 V CER C0G	02010	08055A180JAT A
C209	0160-4799	1	CAP-FXD 2.2PF 100 V CER C0G	02010	MA101A2R2CAAH
C210	0121-0452	1	CAP-VAR 5.4pF 1.3pF 125 V AIR	04670	187-0103-028
C211	0160-4795	1	CAP-FXD 4.7pF +-10.64% 100 V CER C0G	02010	SA102A4R7DAAH
C212	0160-4835	1	CAP-FXD 0.1uF +-10% 50 V CER X7R	02010	SA105C104KAAH
C213	0160-3874	1	CAP-FXD 10pF +-5% 200 V CER C0G	06352	FD12C0G2D100D
C214	0160-3874	1	CAP-FXD 10pF +-5% 200 V CER C0G	06352	FD12C0G2D100D
C215	0160-4791	1	CAP-FXD 10pF +-5% 100 V CER C0G	02010	SA101A100JAA
C216	0160-4794	1	CAP-FXD 5.6pF +-8.92% 100 V CER C0G	02010	SA101A5R6DAA
C217	0160-3879	1	CAP-FXD 0.01uF +-20% 100 V CER X7R	06352	FD12X7R2A103M
C218	0160-4832	1	CAP-FXD 0.01uF +-10% 100 V CER X7R	02010	SA101C103KAAH
C219	0180-4003	1	CAP-FXD 10uF +-10% 25 V TA	12340	T398E106K025AS
C220	0160-0575	1	CAP-FXD 0.047uF +-20% 50 V CER X7R	06121	B37987-M5473-M51
C221	0160-4832	1	CAP-FXD 0.01uF +-10% 100 V CER X7R	02010	SA101C103KAAH
C222	0160-4832	1	CAP-FXD 0.01uF +-10% 100 V CER X7R	02010	SA101C103KAAH
C223	0160-4832	1	CAP-FXD 0.01uF +-10% 100 V CER X7R	02010	SA101C103KAAH
C224	0160-4835	1	CAP-FXD 0.1uF +-10% 50 V CER X7R	02010	SA105C104KAAH
C225	0180-3754	1	CAP-FXD 10uF +-20% 25 V TA	02010	TAJD106M025
C226	0160-4832	1	CAP-FXD 0.01uF +-10% 100 V CER X7R	02010	SA101C103KAAH
C227	0160-4832	1	CAP-FXD 0.01uF +-10% 100 V CER X7R	02010	SA101C103KAAH
C228	0160-4835	1	CAP-FXD 0.1uF +-10% 50 V CER X7R	02010	SA105C104KAAH
C229	0180-4003	1	CAP-FXD 10uF +-10% 25 V TA	12340	T398E106K025AS
C230	0180-4287	1	CAP-FXD 10uF +-20% 35 V TA	02010	TAJD106M035
C231	0180-4287	1	CAP-FXD 10uF +-20% 35 V TA	02010	TAJD106M035
C232	0180-3754	1	CAP-FXD 10uF +-20% 25 V TA	02010	TAJD106M025

**HP Part Number 08563-60133
Radio Frequency (continued)**

Reference Designator	HP Part Number	Qty	Description	Mfr Code	Mfr Part Number
C233	0160-4801	1	CAP-FXD 100pF +-5% 100 V CER C0G	02010	SA102A101JAAH
C234	0160-3879	1	CAP-FXD 0.01uF +-20% 100 V CER X7R	06352	FD12X7R2A103M
C235	0160-4793	1	CAP-FXD 6.8pF +-7.35% 100 V CER C0G	02010	SA101A6R8DAA
C236	0160-4832	1	CAP-FXD 0.01uF +-10% 100 V CER X7R	02010	SA101C103KAAH
C237	0160-4832	1	CAP-FXD 0.01uF +-10% 100 V CER X7R	02010	SA101C103KAAH
C238	0160-4521	1	CAP-FXD 12pF +-5% 200 V CER C0G	06352	FD12C0G2D120J
C239	0160-4793	1	CAP-FXD 6.8pF +-7.35% 100 V CER C0G	02010	SA101A6R8DAA
C240	0180-3838	1	CAP-FXD 33uF +-20% 25 V AL-ELCTLT	06360	SRG25VB33RM5X7RPX
C241	0160-4832	1	CAP-FXD 0.01uF +-10% 100 V CER X7R	02010	SA101C103KAAH
C242	0160-4822	1	CAP-FXD 1000pF +-5% 100 V CER C0G	02010	SA201A102JAAH
C243	0160-4040	1	CAP-FXD 1000pF +-5% 100 V CER C0G	06352	FD12C0G2A102J
C244	0160-4040	1	CAP-FXD 1000pF +-5% 100 V CER C0G	06352	FD12C0G2A102J
C245	0160-4040	1	CAP-FXD 1000pF +-5% 100 V CER C0G	06352	FD12C0G2A102J
C246	0160-4040	1	CAP-FXD 1000pF +-5% 100 V CER C0G	06352	FD12C0G2A102J
C247	0160-4822	1	CAP-FXD 1000pF +-5% 100 V CER C0G	02010	SA201A102JAAH
C248	0160-4389	1	CAP-FXD 100pF +-5% 200 V CER C0G	06352	FD12C0G2D101J
C301	0180-4287	1	CAP-FXD 10uF +-20% 35 V TA	02010	TAJD106M035
C304	0160-4535	1	CAP-FXD 1uF +-10% 50 V CER X7R	02010	SR305C105KAAH
C305	0160-7736	1	CAP-FXD 1uF +-10% 16 V CER X7R	06352	C3216X7R1C105K
C306	0160-4835	1	CAP-FXD 0.1uF +-10% 50 V CER X7R	02010	SA105C104KAAH
C307	0160-4832	1	CAP-FXD 0.01uF +-10% 100 V CER X7R	02010	SA101C103KAAH
C308	0160-4832	1	CAP-FXD 0.01uF +-10% 100 V CER X7R	02010	SA101C103KAAH
C309	0160-4535	1	CAP-FXD 1uF +-10% 50 V CER X7R	02010	SR305C105KAAH
C310	0160-7736	1	CAP-FXD 1uF +-10% 16 V CER X7R	06352	C3216X7R1C105K
C311	0160-6736	1	CAP-FXD 0.01uF +-10% 50 V CER X7R	02010	12065C103KAT A
C312	0160-6736	1	CAP-FXD 0.01uF +-10% 50 V CER X7R	02010	12065C103KAT A
C313	0160-6736	1	CAP-FXD 0.01uF +-10% 50 V CER X7R	02010	12065C103KAT A
C314	0160-6734	1	CAP-FXD 0.047uF +-10% 50 V CER X7R	02010	12065C473KAT A
C400	0160-4801	1	CAP-FXD 100pF +-5% 100 V CER C0G	02010	SA102A101JAAH
C401	0160-3879	1	CAP-FXD 0.01uF +-20% 100 V CER X7R	06352	FD12X7R2A103M
C402	0160-4832	1	CAP-FXD 0.01uF +-10% 100 V CER X7R	02010	SA101C103KAAH
C403	0160-4832	1	CAP-FXD 0.01uF +-10% 100 V CER X7R	02010	SA101C103KAAH
C404	0160-4793	1	CAP-FXD 6.8pF +-7.35% 100 V CER C0G	02010	SA101A6R8DAA
C405	0160-4801	1	CAP-FXD 100pF +-5% 100 V CER C0G	02010	SA102A101JAAH
C406	0160-4832	1	CAP-FXD 0.01uF +-10% 100 V CER X7R	02010	SA101C103KAAH

**Indicates factory-selected value*

CLIP 08563-90200 3

Scans by ArtekMedia => 2009

HP Part Number 08563-60133
Radio Frequency (continued)

Reference Designator	HP Part Number	Qty	Description	Mfr Code	Mfr Part Number
C407	0160-4832	1	CAP-FXD 0.01uF +-10% 100 V CER X7R	02010	SA101C103KAAH
C408	0160-4801	1	CAP-FXD 100pF +-5% 100 V CER C0G	02010	SA102A101JAAH
C409	0180-4287	1	CAP-FXD 10uF +-20% 35 V TA	02010	TAJD106M035
C410	0160-7798	1	CAP-FXD 0.1uF +-10% 50 V CER X7R	06352	C2012X7R1H104K
C412	0160-7736	1	CAP-FXD 1uF +-10% 16 V CER X7R	06352	C3216X7R1C105K
C413	0160-4535	1	CAP-FXD 1uF +-10% 50 V CER X7R	02010	SR305C105KAAH
C414	0160-7736	1	CAP-FXD 1uF +-10% 16 V CER X7R	06352	C3216X7R1C105K
C415	0160-4889	1	CAP-FXD 1800pF +-10% 100 V CER C0G	02010	SR201A182KAA
C416	0160-4535	1	CAP-FXD 1uF +-10% 50 V CER X7R	02010	SR305C105KAAH
C418	0160-4535	1	CAP-FXD 1uF +-10% 50 V CER X7R	02010	SR305C105KAAH
C422	0160-4535	1	CAP-FXD 1uF +-10% 50 V CER X7R	02010	SR305C105KAAH
C424	0160-4084	1	CAP-FXD 0.1uF +-20% 50 V CER X7R	02010	SR215C104MAAH
C425	0160-4084	1	CAP-FXD 0.1uF +-20% 50 V CER X7R	02010	SR215C104MAAH
C426	0160-4084	1	CAP-FXD 0.1uF +-20% 50 V CER X7R	02010	SR215C104MAAH
C427	0160-4084	1	CAP-FXD 0.1uF +-20% 50 V CER X7R	02010	SR215C104MAAH
C428	0160-4535	1	CAP-FXD 1uF +-10% 50 V CER X7R	02010	SR305C105KAAH
C429	0160-4535	1	CAP-FXD 1uF +-10% 50 V CER X7R	02010	SR305C105KAAH
C431	0160-4084	1	CAP-FXD 0.1uF +-20% 50 V CER X7R	02010	SR215C104MAAH
C433	0160-4492	1	CAP-FXD 18pF +-5% 200 V CER C0G	06352	FD12C0G2D180J
C435	0160-4535	1	CAP-FXD 1uF +-10% 50 V CER X7R	02010	SR305C105KAAH
C436	0160-5350	1	CAP-FXD 300pF +-5% 100 V CER C0G	02010	SA101A301JAAH
C437	0160-4808	1	CAP-FXD 470pF +-5% 100 V CER C0G	02010	SA101A471JAAH
C439	0160-4084	1	CAP-FXD 0.1uF +-20% 50 V CER X7R	02010	SR215C104MAAH
C441	0160-0574	1	CAP-FXD 0.022uF +-20% 100 V CER X7R	06352	FD12X7R2A223M
C443	0160-3879	1	CAP-FXD 0.01uF +-20% 100 V CER X7R	06352	FD12X7R2A103M
C444	0160-4084	1	CAP-FXD 0.1uF +-20% 50 V CER X7R	02010	SR215C104MAAH
C445	0160-5098	1	CAP-FXD 0.22uF +-10% 50 V CER X7R	02010	SA405C224KAAH
C446	0160-6585	1	CAP-FXD 1600pF +-5% 100 V CER C0G	02010	SA301A162JAA
C448	0160-6414	1	CAP-FXD 2400pF +-5% 100 V CER C0G	02010	SA301A242JAA
C451	0180-4274	1	CAP-FXD 4.7uF +-20% 50 V TA	12340	T491D475M050AS
C452	0180-4287	1	CAP-FXD 10uF +-20% 35 V TA	02010	TAJD106M035
C453	0180-4287	1	CAP-FXD 10uF +-20% 35 V TA	02010	TAJD106M035
C454	0180-3920	1	CAP-FXD 330uF +-20% 10 V AL-ELCTLT	00779	TVX1A331MAA1LS
C455	0180-3920	1	CAP-FXD 330uF +-20% 10 V AL-ELCTLT	00779	TVX1A331MAA1LS
C459	0160-4832	1	CAP-FXD 0.01uF +-10% 100 V CER X7R	02010	SA101C103KAAH

**HP Part Number 08563-60133
Radio Frequency (continued)**

Reference Designator	HP Part Number	Qty	Description	Mfr Code	Mfr Part Number
C460	0160-3878	1	CAP-FXD 1000pF +-20% 100 V CER X7R	06352	FD12X7R2A102M
C462	0160-4524	1	CAP-FXD 24pF +-5% 200 V CER C0G	06352	FD12C0G2D240J
C463	0160-0574	1	CAP-FXD 0.022uF +-20% 100 V CER X7R	06352	FD12X7R2A223M
C464	0160-4822	1	CAP-FXD 1000pF +-5% 100 V CER C0G	02010	SA201A102JAAH
C465	0160-4084	1	CAP-FXD 0.1uF +-20% 50 V CER X7R	02010	SR215C104MAAH
C466	0160-0574	1	CAP-FXD 0.022uF +-20% 100 V CER X7R	06352	FD12X7R2A223M
C467	0160-0574	1	CAP-FXD 0.022uF +-20% 100 V CER X7R	06352	FD12X7R2A223M
C468	0160-4084	1	CAP-FXD 0.1uF +-20% 50 V CER X7R	02010	SR215C104MAAH
C469	0160-5414	1	CAP-FXD 430pF +-5% 100 V CER C0G	02010	SA101A431JAAH
C470	0160-4084	1	CAP-FXD 0.1uF +-20% 50 V CER X7R	02010	SR215C104MAAH
C471	0160-0574	1	CAP-FXD 0.022uF +-20% 100 V CER X7R	06352	FD12X7R2A223M
C472	0160-4797	1	CAP-FXD 3.3pF +-7.58% 100 V CER C0G	02010	MA101A3R3CAA
C473	0160-4790	1	CAP-FXD 12pF +-5% 100 V CER C0G	02010	SA101A120JAA
C474	0160-4803	1	CAP-FXD 68pF +-5% 100 V CER C0G	02010	SA101A680JAA
C475	0160-4350	1	CAP-FXD 68pF +-5% 200 V CER C0G	06352	FD12C0G2D680J
C476	0160-5952	1	CAP-FXD 330pF +-5% 50 V CER C0G	02010	08055A331JAT A
C477	0160-0574	1	CAP-FXD 0.022uF +-20% 100 V CER X7R	06352	FD12X7R2A223M
C478	0160-4031	1	CAP-FXD 330pF +-5% 100 V CER C0G	06352	FD12C0G2A331J
C479	0160-4084	1	CAP-FXD 0.1uF +-20% 50 V CER X7R	02010	SR215C104MAAH
C480	0160-3879	1	CAP-FXD 0.01uF +-20% 100 V CER X7R	06352	FD12X7R2A103M
C481	0160-7798	1	CAP-FXD 0.1uF +-10% 50 V CER X7R	06352	C2012X7R1H104K
C483	0160-4040	1	CAP-FXD 1000pF +-5% 100 V CER C0G	06352	FD12C0G2A102J
C484	0160-4806	1	CAP-FXD 39pF +-5% 100 V CER C0G	02010	SA102A390JAAH
C485	0160-0575	1	CAP-FXD 0.047uF +-20% 50 V CER X7R	06121	B37987-M5473-M51
C486	0160-7736	1	CAP-FXD 1uF +-10% 16 V CER X7R	06352	C3216X7R1C105K
C487	0160-4535	1	CAP-FXD 1uF +-10% 50 V CER X7R	02010	SR305C105KAAH
C488	0160-4535	1	CAP-FXD 1uF +-10% 50 V CER X7R	02010	SR305C105KAAH
C489	0160-4535	1	CAP-FXD 1uF +-10% 50 V CER X7R	02010	SR305C105KAAH
C490	0160-4822	1	CAP-FXD 1000pF +-5% 100 V CER C0G	02010	SA201A102JAAH
C491	0180-4135	1	CAP-FXD 33uF +-10% 10 V TA	02010	TARW336K010
C492	0160-4365	1	CAP-FXD 470pF +-5% 100 V CER C0G	06352	FD12C0G2A471J
C493	0160-4535	1	CAP-FXD 1uF +-10% 50 V CER X7R	02010	SR305C105KAAH
C495	0160-4365	1	CAP-FXD 470pF +-5% 100 V CER C0G	06352	FD12C0G2A471J
C496	0160-4365	1	CAP-FXD 470pF +-5% 100 V CER C0G	06352	FD12C0G2A471J
C497	0160-4365	1	CAP-FXD 470pF +-5% 100 V CER C0G	06352	FD12C0G2A471J

**Indicates factory-selected value*

CLIP 08563-90200 5

Scans by ArtekMedia => 2009

HP Part Number 08563-60133
Radio Frequency (continued)

Reference Designator	HP Part Number	Qty	Description	Mfr Code	Mfr Part Number
C498	0180-4136	1	CAP-FXD 10uF +-10% 20 V TA	02010	TAR2106K020
C499	0160-4365	1	CAP-FXD 470pF +-5% 100 V CER C0G	06352	FD12C0G2A471J
C501	0160-7867	1	CAP-FXD 6.8pF +-3.68% 50 V CER C0G	02010	06035A6R8CAT
C502	0180-3754	1	CAP-FXD 10uF +-20% 25 V TA	02010	TAJD106M025
C503	0160-7751	1	CAP-FXD 0.01uF +-10% 50 V CER X7R	02010	06035C103KAT
C504	0160-7751	1	CAP-FXD 0.01uF +-10% 50 V CER X7R	02010	06035C103KAT
C505	0160-5967	1	CAP-FXD 100pF +-5% 50 V CER C0G	06352	C2012COG1H101J
C508	0160-5967	1	CAP-FXD 100pF +-5% 50 V CER C0G	06352	C2012COG1H101J
C509	0160-7861	1	CAP-FXD 47pF +-5% 50 V CER C0G	02010	06035A470JAT
C510	0160-4832	1	CAP-FXD 0.01uF +-10% 100 V CER X7R	02010	SA101C103KAAH
C511	0160-7841	1	CAP-FXD 15pF +-5% 50 V CER C0G	02010	06035A150JAT
C512	0160-7751	1	CAP-FXD 0.01uF +-10% 50 V CER X7R	02010	06035C103KAT
C513	0160-4832	1	CAP-FXD 0.01uF +-10% 100 V CER X7R	02010	SA101C103KAAH
C514	0160-4791	1	CAP-FXD 10pF +-5% 100 V CER C0G	02010	SA101A100JAA
C515	0160-7405	1	CAP-FXD 560pF +-5% 50 V CER C0G	06352	C2012C0G1H561J
C516	0160-4832	1	CAP-FXD 0.01uF +-10% 100 V CER X7R	02010	SA101C103KAAH
C517	0160-4832	1	CAP-FXD 0.01uF +-10% 100 V CER X7R	02010	SA101C103KAAH
C518	0160-4789	1	CAP-FXD 15pF +-5% 100 V CER C0G	02010	SA101A150JAA
C520	0160-4789	1	CAP-FXD 15pF +-5% 100 V CER C0G	02010	SA101A150JAA
C521	0160-4789	1	CAP-FXD 15pF +-5% 100 V CER C0G	02010	SA101A150JAA
C522	0160-4791	1	CAP-FXD 10pF +-5% 100 V CER C0G	02010	SA101A100JAA
C523	0160-4791	1	CAP-FXD 10pF +-5% 100 V CER C0G	02010	SA101A100JAA
C524	0160-4803	1	CAP-FXD 68pF +-5% 100 V CER C0G	02010	SA101A680JAA
C525	0160-4790	1	CAP-FXD 12pF +-5% 100 V CER C0G	02010	SA101A120JAA
C526	0160-4789	1	CAP-FXD 15pF +-5% 100 V CER C0G	02010	SA101A150JAA
C527	0160-4792	1	CAP-FXD 8.2pF +-6.1% 100 V CER C0G	02010	SA101A8R2DAA
C528	0160-4810	1	CAP-FXD 330pF +-5% 100 V CER C0G	02010	SA101A331JAAH
C529	0160-4811	1	CAP-FXD 270pF +-5% 100 V CER C0G	02010	SA101A271JAAH
C530	0160-4832	1	CAP-FXD 0.01uF +-10% 100 V CER X7R	02010	SA101C103KAAH
C531	0160-4835	1	CAP-FXD 0.1uF +-10% 50 V CER X7R	02010	SA105C104KAAH
C532	0160-4832	1	CAP-FXD 0.01uF +-10% 100 V CER X7R	02010	SA101C103KAAH
C534	0160-4835	1	CAP-FXD 0.1uF +-10% 50 V CER X7R	02010	SA105C104KAAH
C541	0160-6222	1	CAP-FXD 0.1uF +-10% 50 V CER X7R	02010	12105C104KAT A
C542	0160-6222	1	CAP-FXD 0.1uF +-10% 50 V CER X7R	02010	12105C104KAT A
C543	0160-6734	1	CAP-FXD 0.047uF +-10% 50 V CER X7R	02010	12065C473KAT A

**HP Part Number 08563-60133
Radio Frequency (continued)**

Reference Designator	HP Part Number	Qty	Description	Mfr Code	Mfr Part Number
C544	0160-6734	1	CAP-FXD 0.047uF +-10% 50 V CER X7R	02010	12065C473KAT A
C545	0160-6222	1	CAP-FXD 0.1uF +-10% 50 V CER X7R	02010	12105C104KAT A
C546	0160-6222	1	CAP-FXD 0.1uF +-10% 50 V CER X7R	02010	12105C104KAT A
C547	0160-6222	1	CAP-FXD 0.1uF +-10% 50 V CER X7R	02010	12105C104KAT A
C548	0160-6222	1	CAP-FXD 0.1uF +-10% 50 V CER X7R	02010	12105C104KAT A
C549	0160-6222	1	CAP-FXD 0.1uF +-10% 50 V CER X7R	02010	12105C104KAT A
C550	0180-4287	1	CAP-FXD 10uF +-20% 35 V TA	02010	TAJD106M035
C553	0180-4287	1	CAP-FXD 10uF +-20% 35 V TA	02010	TAJD106M035
C555	0160-4790	1	CAP-FXD 12pF +-5% 100 V CER C0G	02010	SA101A120JAA
C556	0160-4793	1	CAP-FXD 6.8pF +-7.35% 100 V CER C0G	02010	SA101A6R8DAA
C560	0160-6734	1	CAP-FXD 0.047uF +-10% 50 V CER X7R	02010	12065C473KAT A
C561	0160-6734	1	CAP-FXD 0.047uF +-10% 50 V CER X7R	02010	12065C473KAT A
C562	0160-6734	1	CAP-FXD 0.047uF +-10% 50 V CER X7R	02010	12065C473KAT A
C563	0160-6734	1	CAP-FXD 0.047uF +-10% 50 V CER X7R	02010	12065C473KAT A
C564	0160-6734	1	CAP-FXD 0.047uF +-10% 50 V CER X7R	02010	12065C473KAT A
C565	0160-6734	1	CAP-FXD 0.047uF +-10% 50 V CER X7R	02010	12065C473KAT A
C566	0160-6100	1	CAP-FXD 1000pF +-5% 50 V CER C0G	02010	12065A102JAT A
C567	0160-5968	1	CAP-FXD 82pF +-5% 50 V CER C0G	02010	08051A820JAT A
C568	0160-5952	1	CAP-FXD 330pF +-5% 50 V CER C0G	02010	08055A331JAT A
C569	0160-5942	1	CAP-FXD 1pF +-25% 50 V CER C0G	02010	08051A1R0CAT A
C570	0160-7256	1	CAP-FXD 9pF +-2.78% 50 V CER C0G	02010	08055A9ROCAT-A
C571	0160-7377	1	CAP-FXD 30pF +-5% 50 V CER C0G	06352	C2012C0G1H300JT
C572	0160-5952	1	CAP-FXD 330pF +-5% 50 V CER C0G	02010	08055A331JAT A
C573	0160-6222	1	CAP-FXD 0.1uF +-10% 50 V CER X7R	02010	12105C104KAT A
C574	0160-6222	1	CAP-FXD 0.1uF +-10% 50 V CER X7R	02010	12105C104KAT A
C575	0160-6222	1	CAP-FXD 0.1uF +-10% 50 V CER X7R	02010	12105C104KAT A
C580	0160-6222	1	CAP-FXD 0.1uF +-10% 50 V CER X7R	02010	12105C104KAT A
C581	0160-6222	1	CAP-FXD 0.1uF +-10% 50 V CER X7R	02010	12105C104KAT A
C582	0160-6222	1	CAP-FXD 0.1uF +-10% 50 V CER X7R	02010	12105C104KAT A
C590	0160-5963	1	CAP-FXD 18pF +-5% 50 V CER C0G	02010	08055A180JAT A
C591	0160-5967	1	CAP-FXD 100pF +-5% 50 V CER C0G	06352	C2012COG1H101J
C592	0160-7333	1	CAP-FXD 0.068uF +-10% 50 V CER X7R	06352	C3216X7R1H683KT
C600	0160-7217	1	CAP-FXD 20pF +-5% 50 V CER C0G	06352	C2012C0G1H200JT
C615	0160-5952	1	CAP-FXD 330pF +-5% 50 V CER C0G	02010	08055A331JAT A
C616	0160-5952	1	CAP-FXD 330pF +-5% 50 V CER C0G	02010	08055A331JAT A

**Indicates factory-selected value*

CLIP 08563-90200 7

Scans by ArtekMedia => 2009

**HP Part Number 08563-60133
Radio Frequency (continued)**

Reference Designator	HP Part Number	Qty	Description	Mfr Code	Mfr Part Number
C617	0160-5952	1	CAP-FXD 330pF +-5% 50 V CER C0G	02010	08055A331JAT A
C619	0160-7333	1	CAP-FXD 0.068uF +-10% 50 V CER X7R	06352	C3216X7R1H683KT
C623	0160-7333	1	CAP-FXD 0.068uF +-10% 50 V CER X7R	06352	C3216X7R1H683KT
C624	0160-5952	1	CAP-FXD 330pF +-5% 50 V CER C0G	02010	08055A331JAT A
C625	0180-4287	1	CAP-FXD 10uF +-20% 35 V TA	02010	TAJD106M035
C632	0160-6736	1	CAP-FXD 0.01uF +-10% 50 V CER X7R	02010	12065C103KAT A
C633	0160-6736	1	CAP-FXD 0.01uF +-10% 50 V CER X7R	02010	12065C103KAT A
C634	0160-5952	1	CAP-FXD 330pF +-5% 50 V CER C0G	02010	08055A331JAT A
C635	0160-7217	1	CAP-FXD 20pF +-5% 50 V CER C0G	06352	C2012C0G1H200JT
C636	0160-5959	1	CAP-FXD 33pF +-5% 50 V CER C0G	02010	08055A330JAT A
C637	0160-5952	1	CAP-FXD 330pF +-5% 50 V CER C0G	02010	08055A331JAT A
C638	0160-5979	1	CAP-FXD 1.5pF +-16.67% 50 V CER C0G	00939	GRM40-001COG1R5C050
C640	0160-7389	1	CAP-FXD 300pF +-5% 50 V CER C0G	06352	C2012C0G1H301JT
C641	0160-7385	1	CAP-FXD 130pF +-5% 50 V CER C0G	06352	C2012C0G1H131JT
C642	0160-6099	1	CAP-FXD 820pF +-5% 50 V CER C0G	02010	12065A821JAT A
C643	0160-7385	1	CAP-FXD 130pF +-5% 50 V CER C0G	06352	C2012C0G1H131JT
C644	0160-7389	1	CAP-FXD 300pF +-5% 50 V CER C0G	06352	C2012C0G1H301JT
C645	0160-6736	1	CAP-FXD 0.01uF +-10% 50 V CER X7R	02010	12065C103KAT A
C646	0160-6736	1	CAP-FXD 0.01uF +-10% 50 V CER X7R	02010	12065C103KAT A
C647	0160-6736	1	CAP-FXD 0.01uF +-10% 50 V CER X7R	02010	12065C103KAT A
C648	0160-6736	1	CAP-FXD 0.01uF +-10% 50 V CER X7R	02010	12065C103KAT A
C649	0160-6736	1	CAP-FXD 0.01uF +-10% 50 V CER X7R	02010	12065C103KAT A
C650	0160-6100	1	CAP-FXD 1000pF +-5% 50 V CER C0G	02010	12065A102JAT A
C651	0160-6100	1	CAP-FXD 1000pF +-5% 50 V CER C0G	02010	12065A102JAT A
C653	0160-6736	1	CAP-FXD 0.01uF +-10% 50 V CER X7R	02010	12065C103KAT A
C654	0160-6100	1	CAP-FXD 1000pF +-5% 50 V CER C0G	02010	12065A102JAT A
C656	0160-6100	1	CAP-FXD 1000pF +-5% 50 V CER C0G	02010	12065A102JAT A
C657	0160-6736	1	CAP-FXD 0.01uF +-10% 50 V CER X7R	02010	12065C103KAT A
C658	0160-6736	1	CAP-FXD 0.01uF +-10% 50 V CER X7R	02010	12065C103KAT A
C659	0160-6736	1	CAP-FXD 0.01uF +-10% 50 V CER X7R	02010	12065C103KAT A
C662	0160-5942	1	CAP-FXD 1pF +-25% 50 V CER C0G	02010	08051A1R0CAT A
C663	0160-6736	1	CAP-FXD 0.01uF +-10% 50 V CER X7R	02010	12065C103KAT A
C664	0160-5974	1	CAP-FXD 8.2pF +-6.1% 50 V CER C0G	02010	08051A8R2DAT A
C665	0160-5973	1	CAP-FXD 6.8pF 50 V CER C0G	06352	C2012COG1H6R8D
C700	0160-6734	1	CAP-FXD 0.047uF +-10% 50 V CER X7R	02010	12065C473KAT A

**HP Part Number 08563-60133
Radio Frequency (continued)**

Reference Designator	HP Part Number	Qty	Description	Mfr Code	Mfr Part Number
C701	0180-4116	1	CAP-FXD 22uF +-20% 20 V TA	02010	TAJD226M020
C702	0160-8204	1	CAP-FXD 1uF +-10% 50 V CER X7R	02010	18125C105KAT
C703	0160-6734	1	CAP-FXD 0.047uF +-10% 50 V CER X7R	02010	12065C473KAT A
C704	0160-6222	1	CAP-FXD 0.1uF +-10% 50 V CER X7R	02010	12105C104KAT A
C705	0160-7333	1	CAP-FXD 0.068uF +-10% 50 V CER X7R	06352	C3216X7R1H683KT
C706	0160-6734	1	CAP-FXD 0.047uF +-10% 50 V CER X7R	02010	12065C473KAT A
C707	0180-4228	1	CAP-FXD 47uF +-20% 10 V TA	02010	TAJD476M010
C708	0160-7217	1	CAP-FXD 20pF +-5% 50 V CER C0G	06352	C2012C0G1H200JT
C709	0160-7371	1	CAP-FXD 5pF +-5% 50 V CER C0G	02010	08055AR0CAT_A
C710	0160-5960	1	CAP-FXD 27pF +-5% 50 V CER C0G	02010	08055A270JAT A
C711	0160-6100	1	CAP-FXD 1000pF +-5% 50 V CER C0G	02010	12065A102JAT A
C712	0160-5952	1	CAP-FXD 330pF +-5% 50 V CER C0G	02010	08055A331JAT A
C713	0180-4116	1	CAP-FXD 22uF +-20% 20 V TA	02010	TAJD226M020
C714	0160-5952	1	CAP-FXD 330pF +-5% 50 V CER C0G	02010	08055A331JAT A
C715	0160-5974	1	CAP-FXD 8.2pF +-6.1% 50 V CER C0G	02010	08051A8R2DAT A
C716	0180-3754	1	CAP-FXD 10uF +-20% 25 V TA	02010	TAJD106M025
C717	0160-6734	1	CAP-FXD 0.047uF +-10% 50 V CER X7R	02010	12065C473KAT A
C719	0160-5960	1	CAP-FXD 27pF +-5% 50 V CER C0G	02010	08055A270JAT A
C720	0160-6734	1	CAP-FXD 0.047uF +-10% 50 V CER X7R	02010	12065C473KAT A
C721	0160-6736	1	CAP-FXD 0.01uF +-10% 50 V CER X7R	02010	12065C103KAT A
C722	0160-5942	1	CAP-FXD 1pF +-25% 50 V CER C0G	02010	08051A1R0CAT A
C723	0160-5980	1	CAP-FXD 1.8pF +-27.78% 50 V CER C0G	02010	08051A1R8DAT A
C724	0160-7374	1	CAP-FXD 13pF +-5% 50 V CER C0G	06352	C2012C0G1H130JT
C725	0160-5967	1	CAP-FXD 100pF +-5% 50 V CER C0G	06352	C2012COG1H101J
C726	0160-6734	1	CAP-FXD 0.047uF +-10% 50 V CER X7R	02010	12065C473KAT A
C727	0160-5957	1	CAP-FXD 47pF +-5% 50 V CER C0G	02010	08055A470JAT A
C728	0160-6734	1	CAP-FXD 0.047uF +-10% 50 V CER X7R	02010	12065C473KAT A
C729	0180-4116	1	CAP-FXD 22uF +-20% 20 V TA	02010	TAJD226M020
C730	0160-6734	1	CAP-FXD 0.047uF +-10% 50 V CER X7R	02010	12065C473KAT A
C731	0160-5967	1	CAP-FXD 100pF +-5% 50 V CER C0G	06352	C2012COG1H101J
C732	0180-4116	1	CAP-FXD 22uF +-20% 20 V TA	02010	TAJD226M020
C733	0160-7333	1	CAP-FXD 0.068uF +-10% 50 V CER X7R	06352	C3216X7R1H683KT
C734	0160-5967	1	CAP-FXD 100pF +-5% 50 V CER C0G	06352	C2012COG1H101J
C735	0160-5967	1	CAP-FXD 100pF +-5% 50 V CER C0G	06352	C2012COG1H101J
C736	0160-5955	1	CAP-FXD 68pF +-5% 50 V CER C0G	02010	08055A680JATRA

**Indicates factory-selected value*

CLIP 08563-90200 9

Scans by ArtekMedia => 2009

HP Part Number 08563-60133
Radio Frequency (continued)

Reference Designator	HP Part Number	Qty	Description	Mfr Code	Mfr Part Number
C737	0160-5980	1	CAP-FXD 1.8pF +-27.78% 50 V CER C0G	02010	08051A1R8DAT A
C738	0160-5967	1	CAP-FXD 100pF +-5% 50 V CER C0G	06352	C2012COG1H101J
C740	0180-4287	1	CAP-FXD 10uF +-20% 35 V TA	02010	TAJD106M035
C741	0160-6734	1	CAP-FXD 0.047uF +-10% 50 V CER X7R	02010	12065C473KAT A
C742	0160-6734	1	CAP-FXD 0.047uF +-10% 50 V CER X7R	02010	12065C473KAT A
C743	0160-5980	1	CAP-FXD 1.8pF +-27.78% 50 V CER C0G	02010	08051A1R8DAT A
C744	0160-5942	1	CAP-FXD 1pF +-25% 50 V CER C0G	02010	08051A1R0CAT A
C745	0160-5943	1	CAP-FXD 2.7pF 50 V CER C0G	02010	08051A2R7CAT A
C746	0160-5942	1	CAP-FXD 1pF +-25% 50 V CER C0G	02010	08051A1R0CAT A
C747	0160-5980	1	CAP-FXD 1.8pF +-27.78% 50 V CER C0G	02010	08051A1R8DAT A
C748	0160-5980	1	CAP-FXD 1.8pF +-27.78% 50 V CER C0G	02010	08051A1R8DAT A
C750	0121-0452	1	CAP-VAR 5.4pF 1.3pF 125 V AIR	04670	187-0103-028
C751	0121-0452	1	CAP-VAR 5.4pF 1.3pF 125 V AIR	04670	187-0103-028
C801	0160-4574	1	CAP-FXD 1000pF +-10% 100 V CER X7R	02010	SA101C102KAAH
C802	0160-4574	1	CAP-FXD 1000pF +-10% 100 V CER X7R	02010	SA101C102KAAH
C803	0160-4574	1	CAP-FXD 1000pF +-10% 100 V CER X7R	02010	SA101C102KAAH
C804	0160-4574	1	CAP-FXD 1000pF +-10% 100 V CER X7R	02010	SA101C102KAAH
C805	0160-4835	1	CAP-FXD 0.1uF +-10% 50 V CER X7R	02010	SA105C104KAAH
C806	0160-4835	1	CAP-FXD 0.1uF +-10% 50 V CER X7R	02010	SA105C104KAAH
C807	0160-4574	1	CAP-FXD 1000pF +-10% 100 V CER X7R	02010	SA101C102KAAH
C808	0180-4287	1	CAP-FXD 10uF +-20% 35 V TA	02010	TAJD106M035
C809	0160-7381	1	CAP-FXD 36pF +-5% 50 V CER C0G	06352	C2012C0G1H360JT
C810	0160-4387	1	CAP-FXD 47pF +-5% 200 V CER C0G	06352	FD12C0G2D470J
C811	0160-6100	1	CAP-FXD 1000pF +-5% 50 V CER C0G	02010	12065A102JAT A
C813	0160-6100	1	CAP-FXD 1000pF +-5% 50 V CER C0G	02010	12065A102JAT A
C814	0160-5947	1	CAP-FXD 1000pF +-10% 50 V CER X7R	02010	08055C102KAT A
C815	0160-5973	1	CAP-FXD 6.8pF 50 V CER C0G	06352	C2012COG1H6R8D
C816	0160-5952	1	CAP-FXD 330pF +-5% 50 V CER C0G	02010	08055A331JAT A
C817	0160-5947	1	CAP-FXD 1000pF +-10% 50 V CER X7R	02010	08055C102KAT A
C818	0160-5975	1	CAP-FXD 10pF +-5% 50 V CER C0G	02010	08055A100JAT A
C819	0160-5975	1	CAP-FXD 10pF +-5% 50 V CER C0G	02010	08055A100JAT A
C820	0160-5952	1	CAP-FXD 330pF +-5% 50 V CER C0G	02010	08055A331JAT A
C821	0160-5959	1	CAP-FXD 33pF +-5% 50 V CER C0G	02010	08055A330JAT A
C822	0160-6100	1	CAP-FXD 1000pF +-5% 50 V CER C0G	02010	12065A102JAT A
C823	0160-6100	1	CAP-FXD 1000pF +-5% 50 V CER C0G	02010	12065A102JAT A

**HP Part Number 08563-60133
Radio Frequency (continued)**

Reference Designator	HP Part Number	Qty	Description	Mfr Code	Mfr Part Number
C824	0160-6100	1	CAP-FXD 1000pF +-5% 50 V CER C0G	02010	12065A102JAT A
C825	0160-5962	1	CAP-FXD 15pF +-5% 50 V CER C0G	09939	GRM40C0G150J050
C826	0160-6100	1	CAP-FXD 1000pF +-5% 50 V CER C0G	02010	12065A102JAT A
C827	0160-5963	1	CAP-FXD 18pF +-5% 50 V CER C0G	02010	08055A180JAT A
C828	0160-5971	1	CAP-FXD 4.7pF +-10.64% 50 V CER C0G	02010	08055A4R7DAT A
C829	0160-6100	1	CAP-FXD 1000pF +-5% 50 V CER C0G	02010	12065A102JAT A
C830	0160-5952	1	CAP-FXD 330pF +-5% 50 V CER C0G	02010	08055A331JAT A
C831	0160-5963	1	CAP-FXD 18pF +-5% 50 V CER C0G	02010	08055A180JAT A
C832	0160-5971	1	CAP-FXD 4.7pF +-10.64% 50 V CER C0G	02010	08055A4R7DAT A
C833	0160-6100	1	CAP-FXD 1000pF +-5% 50 V CER C0G	02010	12065A102JAT A
C834	0160-6100	1	CAP-FXD 1000pF +-5% 50 V CER C0G	02010	12065A102JAT A
C835	0160-6100	1	CAP-FXD 1000pF +-5% 50 V CER C0G	02010	12065A102JAT A
C836	0160-5952	1	CAP-FXD 330pF +-5% 50 V CER C0G	02010	08055A331JAT A
C837	0160-5952	1	CAP-FXD 330pF +-5% 50 V CER C0G	02010	08055A331JAT A
C838	0160-6100	1	CAP-FXD 1000pF +-5% 50 V CER C0G	02010	12065A102JAT A
C903	0160-4835	1	CAP-FXD 0.1uF +-10% 50 V CER X7R	02010	SA105C104KAAH
C904	0160-4835	1	CAP-FXD 0.1uF +-10% 50 V CER X7R	02010	SA105C104KAAH
C905	0160-4835	1	CAP-FXD 0.1uF +-10% 50 V CER X7R	02010	SA105C104KAAH
C906	0160-4835	1	CAP-FXD 0.1uF +-10% 50 V CER X7R	02010	SA105C104KAAH
C907	0160-4835	1	CAP-FXD 0.1uF +-10% 50 V CER X7R	02010	SA105C104KAAH
C908	0160-4787	1	CAP-FXD 22pF +-5% 100 V CER C0G	02010	SA101A220JAA
C909	0160-4835	1	CAP-FXD 0.1uF +-10% 50 V CER X7R	02010	SA105C104KAAH
C910	0180-4287	1	CAP-FXD 10uF +-20% 35 V TA	02010	TAJD106M035
C911	0180-4287	1	CAP-FXD 10uF +-20% 35 V TA	02010	TAJD106M035
C912	0180-3632	1	CAP-FXD 22uF +-20% 50 V AL-ELCTLT	06360	KMC50VB22RM6X11RPX
C913	0180-4274	1	CAP-FXD 4.7uF +-20% 50 V TA	12340	T491D475M050AS
C914	0160-4835	1	CAP-FXD 0.1uF +-10% 50 V CER X7R	02010	SA105C104KAAH
C915	0160-4835	1	CAP-FXD 0.1uF +-10% 50 V CER X7R	02010	SA105C104KAAH
C916	0160-6736	1	CAP-FXD 0.01uF +-10% 50 V CER X7R	02010	12065C103KAT A
C917	0160-6736	1	CAP-FXD 0.01uF +-10% 50 V CER X7R	02010	12065C103KAT A
C920	0180-3751	1	CAP-FXD 1uF +-20% 35 V TA	02010	TAJB105M035
C921	0160-4808	1	CAP-FXD 470pF +-5% 100 V CER C0G	02010	SA101A471JAAH
C922	0160-4808	1	CAP-FXD 470pF +-5% 100 V CER C0G	02010	SA101A471JAAH
C923	0160-4808	1	CAP-FXD 470pF +-5% 100 V CER C0G	02010	SA101A471JAAH
C924	0180-4274	1	CAP-FXD 4.7uF +-20% 50 V TA	12340	T491D475M050AS

**Indicates factory-selected value*

CLIP 08563-90200 11

Scans by ArtekMedia => 2009

HP Part Number 08563-60133
Radio Frequency (continued)

Reference Designator	HP Part Number	Qty	Description	Mfr Code	Mfr Part Number
C925	0160-7736	1	CAP-FXD 1uF +-10% 16 V CER X7R	06352	C3216X7R1C105K
C926	0160-7798	1	CAP-FXD 0.1uF +-10% 50 V CER X7R	06352	C2012X7R1H104K
C927	0180-4287	1	CAP-FXD 10uF +-20% 35 V TA	02010	TAJD106M035
C928	0180-4274	1	CAP-FXD 4.7uF +-20% 50 V TA	12340	T491D475M050AS
CR101	1901-1097	1	DIODE-PIN	08852	M5X-3472
CR102	1901-1097	1	DIODE-PIN	08852	M5X-3472
CR103	1901-1097	1	DIODE-PIN	08852	M5X-3472
CR200	LTB0122-0161KI	1	D VVC 2.2PF4.5CR	28480	LTB0122-0161KI
CR302	1901-1279	1	DIODE-SCHOTTKY 60V 1NS DO-34	02910	BAT83
CR303	1901-0050	1	DIODE-SWITCHING 80V 200MA 2NS DO-35	02910	OF678
CR304	1901-0050	1	DIODE-SWITCHING 80V 200MA 2NS DO-35	02910	OF678
CR305	1901-0050	1	DIODE-SWITCHING 80V 200MA 2NS DO-35	02910	OF678
CR401	1901-1279	1	DIODE-SCHOTTKY 60V 1NS DO-34	02910	BAT83
CR402	1901-1279	1	DIODE-SCHOTTKY 60V 1NS DO-34	02910	BAT83
CR403	1901-1279	1	DIODE-SCHOTTKY 60V 1NS DO-34	02910	BAT83
CR404	1901-1279	1	DIODE-SCHOTTKY 60V 1NS DO-34	02910	BAT83
CR405	1901-1098	1	DIODE-SWITCHING 1N4150 50V 200MA 4NS	00746	1901-1098
CR406	1901-1279	1	DIODE-SCHOTTKY 60V 1NS DO-34	02910	BAT83
CR407	1901-1279	1	DIODE-SCHOTTKY 60V 1NS DO-34	02910	BAT83
CR408	1901-1117	1	DIODE-SWITCHING 30V	00746	1SS135
CR409	1901-1117	1	DIODE-SWITCHING 30V	00746	1SS135
CR410	1901-0033	1	DIODE-GEN PRP 180V 200MA DO-35	02237	1MD2
CR411	1901-0033	1	DIODE-GEN PRP 180V 200MA DO-35	02237	1MD2
CR412	1901-0033	1	DIODE-GEN PRP 180V 200MA DO-35	02237	1MD2
CR413	1901-0033	1	DIODE-GEN PRP 180V 200MA DO-35	02237	1MD2
CR414	1901-0033	1	DIODE-GEN PRP 180V 200MA DO-35	02237	1MD2
CR416	1901-0033	1	DIODE-GEN PRP 180V 200MA DO-35	02237	1MD2
CR417	1901-1279	1	DIODE-SCHOTTKY 60V 1NS DO-34	02910	BAT83
CR418	1901-1279	1	DIODE-SCHOTTKY 60V 1NS DO-34	02910	BAT83
CR419	1901-1117	1	DIODE-SWITCHING 30V	00746	1SS135
CR420	1901-1117	1	DIODE-SWITCHING 30V	00746	1SS135
CR425	1901-1098	1	DIODE-SWITCHING 1N4150 50V 200MA 4NS	00746	1901-1098
CR426	1901-1098	1	DIODE-SWITCHING 1N4150 50V 200MA 4NS	00746	1901-1098
CR501	1901-1227	1	DIODE-SWITCHING 75V 200MA 6NS TO-236	02910	BAS16
CR502	1901-1227	1	DIODE-SWITCHING 75V 200MA 6NS TO-236	02910	BAS16

**HP Part Number 08563-60133
Radio Frequency (continued)**

Reference Designator	HP Part Number	Qty	Description	Mfr Code	Mfr Part Number
CR503	1901-1070	1	DIODE-PIN 110V	01542	1901-1070
CR504	1901-1068	1	DIODE-SCHOTTKY SM SIG	01542	5082-2835
CR505	1901-1068	1	DIODE-SCHOTTKY SM SIG	01542	5082-2835
CR603	1901-1192	1	DIODE-PIN 35V 100MA TO-236 (SOT-23)	01542	1901-1192
CR604	1901-1192	1	DIODE-PIN 35V 100MA TO-236 (SOT-23)	01542	1901-1192
CR605	1901-1192	1	DIODE-PIN 35V 100MA TO-236 (SOT-23)	01542	1901-1192
CR607	1900-0322	1	DIODE-PIN	28480	1900-0322
CR608	1900-0322	1	DIODE-PIN	28480	1900-0322
CR609	1900-0322	1	DIODE-PIN	28480	1900-0322
CR610	1900-0322	1	DIODE-PIN	28480	1900-0322
CR611	1900-0322	1	DIODE-PIN	28480	1900-0322
CR612	1900-0322	1	DIODE-PIN	28480	1900-0322
CR613	1901-1117	1	DIODE-SWITCHING 30V	00746	1SS135
CR614	1901-1227	1	DIODE-SWITCHING 75V 200MA 6NS TO-236	02910	BAS16
CR700	0122-0175	1	DIODE-VVC 1.8PF 10% C 1/C28-TYP=9.7	02910	BBY31
CR701	1900-0220	1	DIODE-SCHOTTKY SM SIG	01542	HSMS-2813
CR702	1900-0078	1	DIODE-SCHOTTKY SM SIG	01542	HSMS-2800
CR801	1901-1097	1	DIODE-PIN	08852	M5X-3472
CR802	1901-1097	1	DIODE-PIN	08852	M5X-3472
E201	9170-1366	1	CORE-SHIELDING BEAD	03827	2743001112
E204	9170-1366	1	CORE-SHIELDING BEAD	03827	2743001112
E206	9170-1366	1	CORE-SHIELDING BEAD	03827	2743001112
E208	9170-1366	1	CORE-SHIELDING BEAD	03827	2743001112
E209	9170-1366	1	CORE-SHIELDING BEAD	03827	2743001112
E213	9170-1366	1	CORE-SHIELDING BEAD	03827	2743001112
E601	9170-1208	1	CORE-SHIELDING BEAD AL=380-NH/TT	03745	21-425-J
E602	9170-1208	1	CORE-SHIELDING BEAD AL=380-NH/TT	03745	21-425-J
E603	9170-1208	1	CORE-SHIELDING BEAD AL=380-NH/TT	03745	21-425-J
E604	9170-1208	1	CORE-SHIELDING BEAD AL=380-NH/TT	03745	21-425-J
E605	9170-1421	1	CORE-SHIELDING BEAD	06352	HF50ACB-322513
E701	9170-1421	1	CORE-SHIELDING BEAD	06352	HF50ACB-322513
E702	9170-1421	1	CORE-SHIELDING BEAD	06352	HF50ACB-322513
E703	9170-1421	1	CORE-SHIELDING BEAD	06352	HF50ACB-322513
J1	1252-1064	1	CONN-POST TYPE .100-PIN-SPCG-MTG-END	01380	1-746878-0
J2	1252-1064	1	CONN-POST TYPE .100-PIN-SPCG-MTG-END	01380	1-746878-0

**Indicates factory-selected value*

CLIP 08563-90200 13

Scans by ArtekMedia => 2009

HP Part Number 08563-60133
Radio Frequency (continued)

Reference Designator	HP Part Number	Qty	Description	Mfr Code	Mfr Part Number
J101	1250-2471	1	CONNECTOR-RF MCX,SM-SNP-ON FEMALE	01380	829558-3
J200	1252-1200	1	CONN-POST TYPE .100-PIN-SPCG-MTG-END	13369	68449-079
J301	1250-0543	1	CONNECTOR-RF SMB MALE PC-W-STDFS 50-OHM	07247	59S213-40TD3
J302	1250-0543	1	CONNECTOR-RF SMB MALE PC-W-STDFS 50-OHM	07247	59S213-40TD3
J303	1250-0543	1	CONNECTOR-RF SMB MALE PC-W-STDFS 50-OHM	07247	59S213-40TD3
J304	1250-0543	1	CONNECTOR-RF SMB MALE PC-W-STDFS 50-OHM	07247	59S213-40TD3
J400	1252-1200	1	CONN-POST TYPE .100-PIN-SPCG-MTG-END	13369	68449-079
J501	1250-0543	1	CONNECTOR-RF SMB MALE PC-W-STDFS 50-OHM	07247	59S213-40TD3
J502	1252-1200	1	CONN-POST TYPE .100-PIN-SPCG-MTG-END	13369	68449-079
J601	1250-0543	1	CONNECTOR-RF SMB MALE PC-W-STDFS 50-OHM	07247	59S213-40TD3
J602	1252-1200	1	CONN-POST TYPE .100-PIN-SPCG-MTG-END	13369	68449-079
J700	1251-5033	1	CONN-POST TYPE .100-PIN-SPCG-MTG-END	01380	103239-3
J701	1250-0543	1	CONNECTOR-RF SMB MALE PC-W-STDFS 50-OHM	07247	59S213-40TD3
J702	1250-0543	1	CONNECTOR-RF SMB MALE PC-W-STDFS 50-OHM	07247	59S213-40TD3
J801	1250-0257	1	CONNECTOR-RF SMB MALE PC-W-STDFS 50-OHM	01380	413990-3
J802	1250-0543	1	CONNECTOR-RF SMB MALE PC-W-STDFS 50-OHM	07247	59S213-40TD3
J803	1250-0543	1	CONNECTOR-RF SMB MALE PC-W-STDFS 50-OHM	07247	59S213-40TD3
J901	1252-1200	1	CONN-POST TYPE .100-PIN-SPCG-MTG-END	13369	68449-079
L101	9100-0539	1	INDUCTOR RF-CH-MLD 10uH +-5%	03273	15M102J
L102	9100-2256	1	INDUCTOR RF-CH-MLD 560nH +-10%	03273	10M560K
L103	9100-0539	1	INDUCTOR RF-CH-MLD 10uH +-5%	03273	15M102J
L104	9100-2256	1	INDUCTOR RF-CH-MLD 560nH +-10%	03273	10M560K
L105	9100-2252	1	INDUCTOR RF-CH-MLD 270nH +-10%	05524	IM-2 .27UH 10%
L106	9100-2262	1	INDUCTOR RF-CH-MLD 3.9uH +-10%	05524	IM-2 3.9UH 10%
L110	9100-2265	1	INDUCTOR RF-CH-MLD 10uH +-10%	03273	10M102K
L111	9100-2262	1	INDUCTOR RF-CH-MLD 3.9uH +-10%	05524	IM-2 3.9UH 10%
L150	9100-2247	1	INDUCTOR RF-CH-MLD 100nH +-10%	03273	10M100K
L151	9135-0078	1	INDUCTOR RF-CH-MLD 82nH +-5.61%	05524	9135-0078
L153	9100-2247	1	INDUCTOR RF-CH-MLD 100nH +-10%	03273	10M100K
L155	9135-0078	1	INDUCTOR RF-CH-MLD 82nH +-5.61%	05524	9135-0078
L200	9140-0158	1	INDUCTOR RF-CH-MLD 1uH +-10%	05826	1025-20
L202	9100-2256	1	INDUCTOR RF-CH-MLD 560nH +-10%	03273	10M560K
L203	9100-2891	1	INDUCTOR RF-CH-MLD 50nH +-10%	03273	10M050K-1
L205	9100-2891	1	INDUCTOR RF-CH-MLD 50nH +-10%	03273	10M050K-1
L207	9100-2247	1	INDUCTOR RF-CH-MLD 100nH +-10%	03273	10M100K

**HP Part Number 08563-60133
Radio Frequency (continued)**

Reference Designator	HP Part Number	Qty	Description	Mfr Code	Mfr Part Number
L210	9100-0539	1	INDUCTOR RF-CH-MLD 10uH +-5%	03273	15M102J
L211	9100-0539	1	INDUCTOR RF-CH-MLD 10uH +-5%	03273	15M102J
L212	9100-2891	1	INDUCTOR RF-CH-MLD 50nH +-10%	03273	10M050K-1
L214	9100-2891	1	INDUCTOR RF-CH-MLD 50nH +-10%	03273	10M050K-1
L301	9100-1788	1	CORE-FERRITE CHOKE-WIDEBAND;IMP:>680	11212	LB2/2.5ZB
L302	9100-0539	1	INDUCTOR RF-CH-MLD 10uH +-5%	03273	15M102J
L400	9100-2891	1	INDUCTOR RF-CH-MLD 50nH +-10%	03273	10M050K-1
L401	9100-2256	1	INDUCTOR RF-CH-MLD 560nH +-10%	03273	10M560K
L402	9100-2256	1	INDUCTOR RF-CH-MLD 560nH +-10%	03273	10M560K
L403	9100-2256	1	INDUCTOR RF-CH-MLD 560nH +-10%	03273	10M560K
L407	9100-2251	1	INDUCTOR RF-CH-MLD 220nH +-10%	03273	10M220K
L409	9100-1630	1	INDUCTOR RF-CH-MLD 51uH +-5%	05524	IM-4 51UH 5%
L410	9100-1630	1	INDUCTOR RF-CH-MLD 51uH +-5%	05524	IM-4 51UH 5%
L411	9100-2260	1	INDUCTOR RF-CH-MLD 1.8uH +-10%	03273	10M181K
L412	9100-2260	1	INDUCTOR RF-CH-MLD 1.8uH +-10%	03273	10M181K
L413	9100-1630	1	INDUCTOR RF-CH-MLD 51uH +-5%	05524	IM-4 51UH 5%
L414	9100-1630	1	INDUCTOR RF-CH-MLD 51uH +-5%	05524	IM-4 51UH 5%
L415	9140-0158	1	INDUCTOR RF-CH-MLD 1uH +-10%	05826	1025-20
L416	9140-0158	1	INDUCTOR RF-CH-MLD 1uH +-10%	05826	1025-20
L417	9100-1636	1	INDUCTOR RF-CH-MLD 110uH +-5%	05826	1537-78
L418	9100-3560	1	INDUCTOR RF-CH-MLD 5.6uH +-5%	05524	IM-4 5.6UH 5%
L420	9100-0539	1	INDUCTOR RF-CH-MLD 10uH +-5%	03273	15M102J
L421	9100-0539	1	INDUCTOR RF-CH-MLD 10uH +-5%	03273	15M102J
L422	9100-0539	1	INDUCTOR RF-CH-MLD 10uH +-5%	03273	15M102J
L423	9100-0539	1	INDUCTOR RF-CH-MLD 10uH +-5%	03273	15M102J
L424	9100-0539	1	INDUCTOR RF-CH-MLD 10uH +-5%	03273	15M102J
L427	9140-0141	1	INDUCTOR RF-CH-MLD 680nH +-10%	05826	1025-16
L428	9140-0141	1	INDUCTOR RF-CH-MLD 680nH +-10%	05826	1025-16
L430	9100-1788	1	CORE-FERRITE CHOKE-WIDEBAND;IMP:>680	11212	LB2/2.5ZB
L438	9135-0077	1	INDUCTOR 36nH +-6.389% 2.6D-mmX6.6LG-mm	03273	10M036X-1
L439	9100-2247	1	INDUCTOR RF-CH-MLD 100nH +-10%	03273	10M100K
L501	9140-1565	1	INDUCTOR 47nH +5% -5% 2.8W-mmX3.4LG-mm	03273	SM3-047J-1
L502	9100-2891	1	INDUCTOR RF-CH-MLD 50nH +-10%	03273	10M050K-1
L503	9135-0077	1	INDUCTOR 36nH +-6.389% 2.6D-mmX6.6LG-mm	03273	10M036X-1
L504	9140-0141	1	INDUCTOR RF-CH-MLD 680nH +-10%	05826	1025-16

**Indicates factory-selected value*

CLIP 08563-90200 15

Scans by ArtekMedia => 2009

HP Part Number 08563-60133
Radio Frequency (continued)

Reference Designator	HP Part Number	Qty	Description	Mfr Code	Mfr Part Number
L505	9135-0075	1	INDUCTOR RF-CH-MLD 43nH +-6.047%	03273	10M043X-1
L506	9100-2256	1	INDUCTOR RF-CH-MLD 560nH +-10%	03273	10M560K
L507	9100-2256	1	INDUCTOR RF-CH-MLD 560nH +-10%	03273	10M560K
L508	9100-0539	1	INDUCTOR RF-CH-MLD 10uH +-5%	03273	15M102J
L511	9100-0539	1	INDUCTOR RF-CH-MLD 10uH +-5%	03273	15M102J
L517	9140-1201	1	INDUCTOR 39nH +-5% 2.8W-mmX3.4LG-mm Q=25	06352	NL322522T-039J
L518	9140-1099	1	INDUCTOR 220nH +-5% 2.8W-mmX3.4LG-mm	09891	KL32TER22J
L519	9140-1436	1	INDUCTOR 390nH +-5% 2.8W-mmX3.4LG-mm	06352	NL322522T-R39J
L520	9140-1101	1	INDUCTOR 470nH +-5% 2.8W-mmX3.4LG-mm	09891	KL32TER47J
L521	9140-1200	1	INDUCTOR 33nH +-5% 2.8W-mmX3.4LG-mm Q=25	09891	KL32TE033J
L600	9100-2891	1	INDUCTOR RF-CH-MLD 50nH +-10%	03273	10M050K-1
L605	9140-1103	1	INDUCTOR 680nH +-5% 2.8W-mmX3.4LG-mm	06352	NL322522T-R68J
L608	9140-1103	1	INDUCTOR 680nH +-5% 2.8W-mmX3.4LG-mm	06352	NL322522T-R68J
L609	9100-0539	1	INDUCTOR RF-CH-MLD 10uH +-5%	03273	15M102J
L613	9140-1536	1	INDUCTOR 18nH +-10% 2.8W-mmX3.4LG-mm	06352	NL322522T-018K
L614	9140-1195	1	INDUCTOR 15nH +-10% 2.8W-mmX3.4LG-mm	06352	NL322522T-015K
L615	9140-1194	1	INDUCTOR 10nH +-10% 2.8W-mmX3.4LG-mm	09891	KL32TE010K
L616	9140-1204	1	INDUCTOR 68nH +-5% 2.8W-mmX3.4LG-mm Q=27	09891	KL32TE068J
L617	9140-1104	1	INDUCTOR 820nH +-5% 2.8W-mmX3.4LG-mm	09891	KL32TER82J
L618	9140-1422	1	INDUCTOR 1.8uH +-5% 3.4W-mmX4.8LG-mm	06352	NL453232-1R8J-3
L619	9140-1425	1	INDUCTOR 270nH +-5% 2.8W-mmX3.4LG-mm	06352	NL322522T-R27J
L620	9140-1422	1	INDUCTOR 1.8uH +-5% 3.4W-mmX4.8LG-mm	06352	NL453232-1R8J-3
L621	9140-1104	1	INDUCTOR 820nH +-5% 2.8W-mmX3.4LG-mm	09891	KL32TER82J
L622	9140-1109	1	INDUCTOR 4.7uH +-5% 3.4W-mmX4.8LG-mm	06352	NL453232-4R7J
L623	9140-1109	1	INDUCTOR 4.7uH +-5% 3.4W-mmX4.8LG-mm	06352	NL453232-4R7J
L625	9140-1116	1	INDUCTOR 33uH +-5% 3.4W-mmX4.8LG-mm Q=50	06352	NL453232-330J-3
L626	9140-1113	1	INDUCTOR 10uH +-5% 3.4W-mmX4.8LG-mm Q=50	06352	NL453232-100J-3
L628	9140-1116	1	INDUCTOR 33uH +-5% 3.4W-mmX4.8LG-mm Q=50	06352	NL453232-330J-3
L629	08562-80075	1	XFMR RF TORO1D	28480	08562-80075
L630	9140-1202	1	INDUCTOR 47nH +-5% 2.8W-mmX3.4LG-mm Q=26	06352	NL322522T-047J
L631	9140-1537	1	INDUCTOR 22nH +-10% 2.8W-mmX3.4LG-mm	06352	NL322522T-022K
L632	9140-1116	1	INDUCTOR 33uH +-5% 3.4W-mmX4.8LG-mm Q=50	06352	NL453232-330J-3
L700	9140-1107	1	INDUCTOR 2.2uH +-5% 3.4W-mmX4.8LG-mm	06352	NL453232-2R2J-3
L701	9140-1050	1	INDUCTOR 70.5nH +-5% .23W-INX.38LG-IN	01886	BUGS/132-6.5T
L702	9140-1204	1	INDUCTOR 68nH +-5% 2.8W-mmX3.4LG-mm Q=27	09891	KL32TE068J

**HP Part Number 08563-60133
Radio Frequency (continued)**

Reference Designator	HP Part Number	Qty	Description	Mfr Code	Mfr Part Number
L703	9140-1105	1	INDUCTOR 1uH +-5% 3.4W-mmX4.8LG-mm Q=50	06352	NL453232-1R0J-3
L704	9140-1102	1	INDUCTOR 560nH +-5% 2.8W-mmX3.4LG-mm	06352	NL322522T-R56J
L705	9140-1103	1	INDUCTOR 680nH +-5% 2.8W-mmX3.4LG-mm	06352	NL322522T-R68J
L706	9140-1105	1	INDUCTOR 1uH +-5% 3.4W-mmX4.8LG-mm Q=50	06352	NL453232-1R0J-3
L707	9140-1204	1	INDUCTOR 68nH +-5% 2.8W-mmX3.4LG-mm Q=27	09891	KL32TE068J
L708	9140-1537	1	INDUCTOR 22nH +-10% 2.8W-mmX3.4LG-mm	06352	NL322522T-022K
L709	9140-1561	1	INDUCTOR 22nH +-5% -5% 2.8W-mmX3.4LG-mm	03273	SM3-022J-1
L710	9140-1099	1	INDUCTOR 220nH +-5% 2.8W-mmX3.4LG-mm	09891	KL32TER22J
L711	9140-1436	1	INDUCTOR 390nH +-5% 2.8W-mmX3.4LG-mm	06352	NL322522T-R39J
L712	9140-1194	1	INDUCTOR 10nH +-10% 2.8W-mmX3.4LG-mm	09891	KL32TE010K
L713	9140-1194	1	INDUCTOR 10nH +-10% 2.8W-mmX3.4LG-mm	09891	KL32TE010K
L714	9140-1194	1	INDUCTOR 10nH +-10% 2.8W-mmX3.4LG-mm	09891	KL32TE010K
L723	9100-0539	1	INDUCTOR RF-CH-MLD 10uH +-5%	03273	15M102J
L801	9100-2252	1	INDUCTOR RF-CH-MLD 270nH +-10%	05524	IM-2 .27UH 10%
L802	9100-2252	1	INDUCTOR RF-CH-MLD 270nH +-10%	05524	IM-2 .27UH 10%
L803	9100-2256	1	INDUCTOR RF-CH-MLD 560nH +-10%	03273	10M560K
L804	9100-2256	1	INDUCTOR RF-CH-MLD 560nH +-10%	03273	10M560K
L805	9100-2256	1	INDUCTOR RF-CH-MLD 560nH +-10%	03273	10M560K
L806	9100-0539	1	INDUCTOR RF-CH-MLD 10uH +-5%	03273	15M102J
L807	9140-1195	1	INDUCTOR 15nH +-10% 2.8W-mmX3.4LG-mm	06352	NL322522T-015K
L808	9140-1201	1	INDUCTOR 39nH +-5% 2.8W-mmX3.4LG-mm Q=25	06352	NL322522T-039J
L809	9100-4982	1	TRANSFORMER-SMALL SIGNAL SMT; PRIMARY	01886	M1590-B
L810	9140-1199	1	INDUCTOR 27nH +-10% 2.8W-mmX3.4LG-mm	09891	KL32TE027K
L811	9140-1194	1	INDUCTOR 10nH +-10% 2.8W-mmX3.4LG-mm	09891	KL32TE010K
L812	9140-1203	1	INDUCTOR 56nH +-5% 2.8W-mmX3.4LG-mm Q=26	06352	NL322522T-056J
L813	9140-1199	1	INDUCTOR 27nH +-10% 2.8W-mmX3.4LG-mm	09891	KL32TE027K
L814	9140-1195	1	INDUCTOR 15nH +-10% 2.8W-mmX3.4LG-mm	06352	NL322522T-015K
L815	9140-1100	1	INDUCTOR 330nH +-5% 2.8W-mmX3.4LG-mm	09891	KL32TER33J
L816	9140-1100	1	INDUCTOR 330nH +-5% 2.8W-mmX3.4LG-mm	09891	KL32TER33J
L817	9140-1194	1	INDUCTOR 10nH +-10% 2.8W-mmX3.4LG-mm	09891	KL32TE010K
L818	9140-1203	1	INDUCTOR 56nH +-5% 2.8W-mmX3.4LG-mm Q=26	06352	NL322522T-056J
L819	9140-1199	1	INDUCTOR 27nH +-10% 2.8W-mmX3.4LG-mm	09891	KL32TE027K
L901	9140-0738	1	INDUCTOR 100uH .6W-INX.7LG-IN	01869	52405
L902	9140-0738	1	INDUCTOR 100uH .6W-INX.7LG-IN	01869	52405
L903	9140-0738	1	INDUCTOR 100uH .6W-INX.7LG-IN	01869	52405

**Indicates factory-selected value*

CLIP 08563-90200 17

Scans by ArtekMedia => 2009

HP Part Number 08563-60133
Radio Frequency (continued)

Reference Designator	HP Part Number	Qty	Description	Mfr Code	Mfr Part Number
L904	9140-0738	1	INDUCTOR 100uH .6W-INX.7LG-IN	01869	52405
MP3	5002-0631	1	BRACE-RF BD	28480	5002-0631
MP4	5021-6735	1	SHIELD-TOP REF	28480	5021-6735
MP5	5021-6736	1	SHIELD-BOT REF	28480	5021-6736
MP6	5021-6739	1	SHLD-TOP SIGPATH	28480	5021-6739
MP7	5022-3681	1	SHLD-BOT SIGPATH	28480	5022-3681
MP8	5022-0047	1	SHLD-TOP SYNTHZR	28480	5022-0047
MP9	5022-0046	1	SHLD-BOT SYNTHZR	28480	5022-0046
MP10	1200-0173	1	INSULATOR-XSTR DAP-GL	14283	A-10001 DAP
MP12	1200-0173	1	INSULATOR-XSTR DAP-GL	14283	A-10001 DAP
MP13	1200-0173	1	INSULATOR-XSTR DAP-GL	14283	A-10001 DAP
MP15	1200-0173	1	INSULATOR-XSTR DAP-GL	14283	A-10001 DAP
MP16	1200-0173	1	INSULATOR-XSTR DAP-GL	14283	A-10001 DAP
MP21	8160-0768	1	SHIELD PHOSHER BRONZE; SATIN-TIN FINISH	03647	0097-860-08 (FORMED)
MP22	0515-0367	1	SCREW-MACHINE ASSEMBLY M2.5 X 0.45	05610	0515-0367
MP23	0515-0367	1	SCREW-MACHINE ASSEMBLY M2.5 X 0.45	05610	0515-0367
MP24	0515-0367	1	SCREW-MACHINE ASSEMBLY M2.5 X 0.45	05610	0515-0367
MP31	5041-7283	1	CLIP-LONG	28480	5041-7283
MP32	0624-0099	1	SCREW-TPG 4-40 .375-IN-LG PAN-HD-POZI	04525	0624-0099
MP33	1400-0866	1	CLAMP-CABLE .187-DIA .25-WD NYL	07158	C61332AA
MP35	0515-1934	1	SCREW-MACHINE ASSEMBLY M2.5 X 0.45	05610	0515-1934
MP36	0515-1934	1	SCREW-MACHINE ASSEMBLY M2.5 X 0.45	05610	0515-1934
P700	1258-0209	1	JUMPER-REMOVABLE 2 POSITION; .250 IN	01380	382811-6
Q200	BB1854-1175KI	1		28480	BB1854-1175KI
Q201	1854-1278	1	TRANSISTOR NPN SI TO-261AA (SOT-223)	02910	BFG97
Q202	LTB1854-0345KI	1		28480	LTB1854-0345KI
Q203	1854-1354	1	TRANSISTOR NPN SI PD=300MW FT=4.5GHZ	02910	BFG93A
Q301	1854-1028	1	TRANSISTOR NPN SI TO-92 PD=625MW	02237	2N3904
Q302	1854-1028	1	TRANSISTOR NPN SI TO-92 PD=625MW	02237	2N3904
Q304	1854-1426	1	TRANSISTOR NPN 2N5109 SI TO-39 PD=1000MW	11699	2N5109
Q400	1854-1278	1	TRANSISTOR NPN SI TO-261AA (SOT-223)	02910	BFG97
Q401	1854-1354	1	TRANSISTOR NPN SI PD=300MW FT=4.5GHZ	02910	BFG93A
Q402	BB1854-0477KI	1		28480	BB1854-0477KI
Q403	08563-50001	1		28480	08563-50001
Q404	08563-50001	1		28480	08563-50001

**HP Part Number 08563-60133
Radio Frequency (continued)**

Reference Designator	HP Part Number	Qty	Description	Mfr Code	Mfr Part Number
Q405	1853-0612	1	TRANSISTOR PNP SI SOT-23 (TO-236AB)	02910	BFT93
Q406	1853-0612	1	TRANSISTOR PNP SI SOT-23 (TO-236AB)	02910	BFT93
Q407	1854-1354	1	TRANSISTOR NPN SI PD=300MW FT=4.5GHZ	02910	BFG93A
Q408	1854-1354	1	TRANSISTOR NPN SI PD=300MW FT=4.5GHZ	02910	BFG93A
Q501	1854-1278	1	TRANSISTOR NPN SI TO-261AA (SOT-223)	02910	BFG97
Q502	1854-1278	1	TRANSISTOR NPN SI TO-261AA (SOT-223)	02910	BFG97
Q503	1854-1278	1	TRANSISTOR NPN SI TO-261AA (SOT-223)	02910	BFG97
Q504	1854-1354	1	TRANSISTOR NPN SI PD=300MW FT=4.5GHZ	02910	BFG93A
Q505	1854-1354	1	TRANSISTOR NPN SI PD=300MW FT=4.5GHZ	02910	BFG93A
Q506	1854-1201	1	TRANSISTOR NPN SI SOT-23 (TO-236AB)	02037	MMBR5031LT1
Q507	1854-1054	1	TRANSISTOR NPN SI SOT-89 (TO-243AB)	02910	BFQ19
Q604	1853-0724	1	TRANSISTOR PNP SI TO-261AA (SOT-223)	02910	PZT2907A
Q605	1854-1426	1	TRANSISTOR NPN 2N5109 SI TO-39 PD=1000MW	11699	2N5109
Q606	1854-1426	1	TRANSISTOR NPN 2N5109 SI TO-39 PD=1000MW	11699	2N5109
Q607	1854-1426	1	TRANSISTOR NPN 2N5109 SI TO-39 PD=1000MW	11699	2N5109
Q608	1854-1426	1	TRANSISTOR NPN 2N5109 SI TO-39 PD=1000MW	11699	2N5109
Q609	1853-0567	1	TRANSISTOR PNP SI SOT-23 (TO-236AB)	12125	KST3906
Q610	1854-1032	1	TRANSISTOR NPN SI PD=1.25W	02688	MRF581
Q700	1854-1094	1	TRANSISTOR NPN SI SOT-89 (TO-243AB)	02910	PXT2222A
Q701	1854-1304	1	TRANSISTOR NPN SI CHIP PD=580MW	03074	NE85635
Q702	1853-0609	1	TRANSISTOR PNP SI SOT-89 (TO-243AB)	02910	PXT2907A
Q703	1854-1304	1	TRANSISTOR NPN SI CHIP PD=580MW	03074	NE85635
Q801	1855-0945	1	TRANSISTOR GAAS FET N/S GALLIUM ARSENIDE	01542	ATF-10136
Q802	1854-1054	1	TRANSISTOR NPN SI SOT-89 (TO-243AB)	02910	BFQ19
Q803	1854-1054	1	TRANSISTOR NPN SI SOT-89 (TO-243AB)	02910	BFQ19
Q804	1854-1054	1	TRANSISTOR NPN SI SOT-89 (TO-243AB)	02910	BFQ19
Q805	1854-1054	1	TRANSISTOR NPN SI SOT-89 (TO-243AB)	02910	BFQ19
R100	0698-7242	1	RESISTOR 1.78K +-1% .05W TF TC=0+-100	06424	NK3H.05W1%+/-100PPM1781
R101	0698-7282	1	RESISTOR 82.5K +-1% .05W TF TC=0+-100	06424	NK3H.05W1%+/-100PPM8252
R102	0698-7282	1	RESISTOR 82.5K +-1% .05W TF TC=0+-100	06424	NK3H.05W1%+/-100PPM8252
R103	0698-7284	1	RESISTOR 100K +-1% .05W TF TC=0+-100	05524	CMF-501003FT-1
R104	0698-7284	1	RESISTOR 100K +-1% .05W TF TC=0+-100	05524	CMF-501003FT-1
R105	0698-7282	1	RESISTOR 82.5K +-1% .05W TF TC=0+-100	06424	NK3H.05W1%+/-100PPM8252
R106	0698-7282	1	RESISTOR 82.5K +-1% .05W TF TC=0+-100	06424	NK3H.05W1%+/-100PPM8252
R108	0698-7243	1	RESISTOR 1.96K +-1% .05W TF TC=0+-100	06424	NK3H.05W1%+/-100PPM1961

**Indicates factory-selected value*

CLIP 08563-90200 19

Scans by ArtekMedia => 2009

HP Part Number 08563-60133
Radio Frequency (continued)

Reference Designator	HP Part Number	Qty	Description	Mfr Code	Mfr Part Number
R109	0698-7201	1	RESISTOR 34.8 +-1% .05W TF TC=0+-100	06424	NK3H.05W1%+/-100PPM34R8
R110	0698-7201	1	RESISTOR 34.8 +-1% .05W TF TC=0+-100	06424	NK3H.05W1%+/-100PPM34R8
R111	0698-7236	1	RESISTOR 1K +-1% .05W TF TC=0+-100	06424	NK3H.05W1%+/-100PPM1001
R112	0698-7188	1	RESISTOR 10 +-1% .05W TF TC=0+-100	06424	NK3H.05W1%+/-100PPM10R0
R113	0698-7243	1	RESISTOR 1.96K +-1% .05W TF TC=0+-100	06424	NK3H.05W1%+/-100PPM1961
R114	0698-7188	1	RESISTOR 10 +-1% .05W TF TC=0+-100	06424	NK3H.05W1%+/-100PPM10R0
R115	0698-7214	1	RESISTOR 121 +-1% .05W TF TC=0+-100	06424	NK3H.05W1%+/-100PPM121R0
R150	0698-7229	1	RESISTOR 511 +-1% .05W TF TC=0+-100	06424	NK3H.05W1%+/-100PPM511R0
R151	0698-7229	1	RESISTOR 511 +-1% .05W TF TC=0+-100	06424	NK3H.05W1%+/-100PPM511R0
R152	0698-7221	1	RESISTOR 237 +-1% .05W TF TC=0+-100	05524	CMF-502370FT-1
R153	0698-7261	1	RESISTOR 11K +-1% .05W TF TC=0+-100	05524	CMF-501102FT-1
R154	0698-7236	1	RESISTOR 1K +-1% .05W TF TC=0+-100	06424	NK3H.05W1%+/-100PPM1001
R155	0698-7229	1	RESISTOR 511 +-1% .05W TF TC=0+-100	06424	NK3H.05W1%+/-100PPM511R0
R156	0698-7228	1	RESISTOR 464 +-1% .05W TF TC=0+-100	06424	NK3H.05W1%+/-100PPM464R0
R157	0698-7212	1	RESISTOR 100 +-1% .05W TF TC=0+-100	06424	NK3H.05W1%+/-100PPM100R0
R170	0698-7260	1	RESISTOR 10K +-1% .05W TF TC=0+-100	06424	NK3H.05W1%+/-100PPM1002
R200	0698-3405	1	RESISTOR 422 +-1% .5W TF TC=0+-100	05524	CMF-654220FT-1
R201	0757-0405	1	RESISTOR 162 +-1% .125W TF TC=0+-100	06424	NK4H.125W1%+/-100PPM162R0
R202	0757-0394	1	RESISTOR 51.1 +-1% .125W TF TC=0+-100	05524	CMF-5551R1FT-1
R203	0698-7236	1	RESISTOR 1K +-1% .05W TF TC=0+-100	06424	NK3H.05W1%+/-100PPM1001
R204	0757-0398	1	RESISTOR 75 +-1% .125W TF TC=0+-100	05524	CMF-5575R0FT-1
R205	0757-0394	1	RESISTOR 51.1 +-1% .125W TF TC=0+-100	05524	CMF-5551R1FT-1
R206	0757-0180	1	RESISTOR 31.6 +-1% .125W TF TC=0+-100	06424	NK4H.125W1%+/-100PPM31R6
R207	0757-0442	1	RESISTOR 10K +-1% .125W TF TC=0+-100	05524	CMF-551002FT-1
R208	0757-0442	1	RESISTOR 10K +-1% .125W TF TC=0+-100	05524	CMF-551002FT-1
R209	0757-0280	1	RESISTOR 1K +-1% .125W TF TC=0+-100	05524	CMF-551001FT-1
R210	0757-0274	1	RESISTOR 1.21K +-1% .125W TF TC=0+-100	06424	NK4H.125W1%+/-100PPM1211
R211	0698-3429	1	RESISTOR 19.6 +-1% .125W TF TC=0+-100	05524	CMF-5519R6FT-1
R212	0757-0276	1	RESISTOR 61.9 +-1% .125W TF TC=0+-100	05524	CMF-5561R9FT-1
R213	0757-0276	1	RESISTOR 61.9 +-1% .125W TF TC=0+-100	05524	CMF-5561R9FT-1
R214	0757-0442	1	RESISTOR 10K +-1% .125W TF TC=0+-100	05524	CMF-551002FT-1
R215	0698-7195	1	RESISTOR 19.6 +-1% .05W TF TC=0+-100	06424	NK3H.05W1%+/-100PPM19R6
R216	0757-0416	1	RESISTOR 511 +-1% .125W TF TC=0+-100	06424	NK4H.125W1%+/-100PPM511R0
R217	0757-0317	1	RESISTOR 1.33K +-1% .125W TF TC=0+-100	05524	CMF-551331FT-1
R218	0757-0394	1	RESISTOR 51.1 +-1% .125W TF TC=0+-100	05524	CMF-5551R1FT-1

**HP Part Number 08563-60133
Radio Frequency (continued)**

Reference Designator	HP Part Number	Qty	Description	Mfr Code	Mfr Part Number
R219	0757-0401	1	RESISTOR 100 +-1% .125W TF TC=0+-100	05524	CMF-551000FT-1
R220	0757-0442	1	RESISTOR 10K +-1% .125W TF TC=0+-100	05524	CMF-551002FT-1
R221	0757-0401	1	RESISTOR 100 +-1% .125W TF TC=0+-100	05524	CMF-551000FT-1
R222	0698-7224	1	RESISTOR 316 +-1% .05W TF TC=0+-100	06424	NK3H.05W1%+/-100PPM316R0
R223	0757-0401	1	RESISTOR 100 +-1% .125W TF TC=0+-100	05524	CMF-551000FT-1
R224	0757-0401	1	RESISTOR 100 +-1% .125W TF TC=0+-100	05524	CMF-551000FT-1
R225	0757-0397	1	RESISTOR 68.1 +-1% .125W TF TC=0+-100	06424	NK4H.125W1%+/-100PPM68R1
R226	0757-0428	1	RESISTOR 1.62K +-1% .125W TF TC=0+-100	05524	CMF-551621FT-1
R227	0757-0428	1	RESISTOR 1.62K +-1% .125W TF TC=0+-100	05524	CMF-551621FT-1
R228	0698-3132	1	RESISTOR 261 +-1% .125W TF TC=0+-100	06424	NK4H.125W1%+/-100PPM261R0
R229	0698-3434	1	RESISTOR 34.8 +-1% .125W TF TC=0+-100	06424	NK4H.125W1%+/-100PPM34R8
R230	0757-0442	1	RESISTOR 10K +-1% .125W TF TC=0+-100	05524	CMF-551002FT-1
R231	0698-3440	1	RESISTOR 196 +-1% .125W TF TC=0+-100	05524	CMF-551960FT-1
R232	0757-0401	1	RESISTOR 100 +-1% .125W TF TC=0+-100	05524	CMF-551000FT-1
R233	0757-0401	1	RESISTOR 100 +-1% .125W TF TC=0+-100	05524	CMF-551000FT-1
R234	0757-0397	1	RESISTOR 68.1 +-1% .125W TF TC=0+-100	06424	NK4H.125W1%+/-100PPM68R1
R235	0757-0442	1	RESISTOR 10K +-1% .125W TF TC=0+-100	05524	CMF-551002FT-1
R236	0757-0276	1	RESISTOR 61.9 +-1% .125W TF TC=0+-100	05524	CMF-5561R9FT-1
R238	0698-7196	1	RESISTOR 21.5 +-1% .05W TF TC=0+-100	05524	CMF-5021R5FT-1
R300	0811-3587	1	RESISTOR 0 CWM	03123	104
R301	0698-3442	1	RESISTOR 237 +-1% .125W TF TC=0+-100	05524	CMF-552370FT-1
R303	0811-3587	1	RESISTOR 0 CWM	03123	104
R305	0811-3587	1	RESISTOR 0 CWM	03123	104
R306	0757-0394	1	RESISTOR 51.1 +-1% .125W TF TC=0+-100	05524	CMF-5551R1FT-1
R307	0757-0280	1	RESISTOR 1K +-1% .125W TF TC=0+-100	05524	CMF-551001FT-1
R308	0698-3132	1	RESISTOR 261 +-1% .125W TF TC=0+-100	06424	NK4H.125W1%+/-100PPM261R0
R309	0698-3150	1	RESISTOR 2.37K +-1% .125W TF TC=0+-100	06424	NK4H.125W1%+/-100PPM2371
R310	0698-3439	1	RESISTOR 178 +-1% .125W TF TC=0+-100	05524	CMF-551780FT-1
R311	0698-3439	1	RESISTOR 178 +-1% .125W TF TC=0+-100	05524	CMF-551780FT-1
R312	0698-0084	1	RESISTOR 2.15K +-1% .125W TF TC=0+-100	06424	NK4H.125W1%+/-100PPM2151
R313	0698-0084	1	RESISTOR 2.15K +-1% .125W TF TC=0+-100	06424	NK4H.125W1%+/-100PPM2151
R314	0698-0084	1	RESISTOR 2.15K +-1% .125W TF TC=0+-100	06424	NK4H.125W1%+/-100PPM2151
R316	0757-0401	1	RESISTOR 100 +-1% .125W TF TC=0+-100	05524	CMF-551000FT-1
R317	0698-3442	1	RESISTOR 237 +-1% .125W TF TC=0+-100	05524	CMF-552370FT-1
R318	0757-0394	1	RESISTOR 51.1 +-1% .125W TF TC=0+-100	05524	CMF-5551R1FT-1

**Indicates factory-selected value*

CLIP 08563-90200 21

Scans by ArtekMedia => 2009

HP Part Number 08563-60133
Radio Frequency (continued)

Reference Designator	HP Part Number	Qty	Description	Mfr Code	Mfr Part Number
R319	0698-0084	1	RESISTOR 2.15K +-1% .125W TF TC=0+-100	06424	NK4H.125W1%+/-100PPM2151
R320	0699-1421	1	RESISTOR 178 +-1% .125W TKF TC=0+-100	09891	RK73H2BT1780F
R321	0699-1364	1	RESISTOR 68.1 +-1% .125W TKF TC=0+-100	05524	CRCW120668R1F
R322	0699-1421	1	RESISTOR 178 +-1% .125W TKF TC=0+-100	09891	RK73H2BT1780F
R323	0699-1364	1	RESISTOR 68.1 +-1% .125W TKF TC=0+-100	05524	CRCW120668R1F
R324	0699-1421	1	RESISTOR 178 +-1% .125W TKF TC=0+-100	09891	RK73H2BT1780F
R325	0699-1364	1	RESISTOR 68.1 +-1% .125W TKF TC=0+-100	05524	CRCW120668R1F
R400	0757-0401	1	RESISTOR 100 +-1% .125W TF TC=0+-100	05524	CMF-551000FT-1
R401	0757-0401	1	RESISTOR 100 +-1% .125W TF TC=0+-100	05524	CMF-551000FT-1
R402	0757-0397	1	RESISTOR 68.1 +-1% .125W TF TC=0+-100	06424	NK4H.125W1%+/-100PPM68R1
R403	0757-0428	1	RESISTOR 1.62K +-1% .125W TF TC=0+-100	05524	CMF-551621FT-1
R404	0698-3440	1	RESISTOR 196 +-1% .125W TF TC=0+-100	05524	CMF-551960FT-1
R405	0757-0428	1	RESISTOR 1.62K +-1% .125W TF TC=0+-100	05524	CMF-551621FT-1
R406	0698-3132	1	RESISTOR 261 +-1% .125W TF TC=0+-100	06424	NK4H.125W1%+/-100PPM261R0
R407	0698-3434	1	RESISTOR 34.8 +-1% .125W TF TC=0+-100	06424	NK4H.125W1%+/-100PPM34R8
R408	0757-0401	1	RESISTOR 100 +-1% .125W TF TC=0+-100	05524	CMF-551000FT-1
R409	0757-0401	1	RESISTOR 100 +-1% .125W TF TC=0+-100	05524	CMF-551000FT-1
R410	0757-0397	1	RESISTOR 68.1 +-1% .125W TF TC=0+-100	06424	NK4H.125W1%+/-100PPM68R1
R411	0698-3438	1	RESISTOR 147 +-1% .125W TF TC=0+-100	05524	CMF-551470FT-1
R412	0757-0419	1	RESISTOR 681 +-1% .25W TF TC=0+-100	06424	NK4H.25W1%+/-100PPM681
R413	0757-0400	1	RESISTOR 90.9 +-1% .125W TF TC=0+-100	05524	CMF-5590R9FT-1
R414	0757-0400	1	RESISTOR 90.9 +-1% .125W TF TC=0+-100	05524	CMF-5590R9FT-1
R415	0698-3437	1	RESISTOR 133 +-1% .125W TF TC=0+-100	05524	CMF-551330FT-1
R416	0698-3437	1	RESISTOR 133 +-1% .125W TF TC=0+-100	05524	CMF-551330FT-1
R417	0698-4037	1	RESISTOR 46.4 +-1% .125W TF TC=0+-100	06424	NK4H.125W1%+/-100PPM46R4
R420	0698-7220	1	RESISTOR 215 +-1% .05W TF TC=0+-100	06424	NK3H.05W1%+/-100PPM215R0
R421	0698-3443	1	RESISTOR 287 +-1% .125W TF TC=0+-100	06424	NK4H.125W1%+/-100PPM287R0
R422	0698-3443	1	RESISTOR 287 +-1% .125W TF TC=0+-100	06424	NK4H.125W1%+/-100PPM287R0
R423	0698-3443	1	RESISTOR 287 +-1% .125W TF TC=0+-100	06424	NK4H.125W1%+/-100PPM287R0
R424	0698-7222	1	RESISTOR 261 +-1% .05W TF TC=0+-100	06424	NK3H.05W1%+/-100PPM261R0
R425	0698-7230	1	RESISTOR 562 +-1% .05W TF TC=0+-100	05524	CMF-555620FT-1
R426	0698-3442	1	RESISTOR 237 +-1% .125W TF TC=0+-100	05524	CMF-552370FT-1
R427	0698-3445	1	RESISTOR 348 +-1% .125W TF TC=0+-100	06424	NK4H.125W1%+/-100PPM348R0
R428	0698-3445	1	RESISTOR 348 +-1% .125W TF TC=0+-100	06424	NK4H.125W1%+/-100PPM348R0
R429	0698-7196	1	RESISTOR 21.5 +-1% .05W TF TC=0+-100	05524	CMF-5021R5FT-1

**HP Part Number 08563-60133
Radio Frequency (continued)**

Reference Designator	HP Part Number	Qty	Description	Mfr Code	Mfr Part Number
R430	0698-7260	1	RESISTOR 10K +-1% .05W TF TC=0+-100	06424	NK3H.05W1%+/-100PPM1002
R431	0698-7260	1	RESISTOR 10K +-1% .05W TF TC=0+-100	06424	NK3H.05W1%+/-100PPM1002
R432	0698-7260	1	RESISTOR 10K +-1% .05W TF TC=0+-100	06424	NK3H.05W1%+/-100PPM1002
R433	0698-7260	1	RESISTOR 10K +-1% .05W TF TC=0+-100	06424	NK3H.05W1%+/-100PPM1002
R434	0698-7260	1	RESISTOR 10K +-1% .05W TF TC=0+-100	06424	NK3H.05W1%+/-100PPM1002
R435	0698-7218	1	RESISTOR 178 +-1% .05W TF TC=0+-100	06424	NK3H.05W1%+/-100PPM178R0
R436	0757-1094	1	RESISTOR 1.47K +-1% .125W TF TC=0+-100	05524	CMF-551471FT-1
R437	0698-7218	1	RESISTOR 178 +-1% .05W TF TC=0+-100	06424	NK3H.05W1%+/-100PPM178R0
R438	0757-1094	1	RESISTOR 1.47K +-1% .125W TF TC=0+-100	05524	CMF-551471FT-1
R439	0698-7260	1	RESISTOR 10K +-1% .05W TF TC=0+-100	06424	NK3H.05W1%+/-100PPM1002
R440	0698-7260	1	RESISTOR 10K +-1% .05W TF TC=0+-100	06424	NK3H.05W1%+/-100PPM1002
R441	0698-8547	1	RESISTOR 4K +-0.5% .1W TF TC=0+-5	09454	PR1/10T54K0.5%
R442	0698-7403	1	RESISTOR 1.285K +-0.1% .125W TF TC=0+-50	05524	CMF-551R285KBT-2
R446	0698-7236	1	RESISTOR 1K +-1% .05W TF TC=0+-100	06424	NK3H.05W1%+/-100PPM1001
R447	0757-0346	1	RESISTOR 10 +-1% .125W TF TC=0+-100	06424	NK4H.125W1%+/-100PPM10R0
R448	0698-7188	1	RESISTOR 10 +-1% .05W TF TC=0+-100	06424	NK3H.05W1%+/-100PPM10R0
R449	0698-7220	1	RESISTOR 215 +-1% .05W TF TC=0+-100	06424	NK3H.05W1%+/-100PPM215R0
R450	0698-7188	1	RESISTOR 10 +-1% .05W TF TC=0+-100	06424	NK3H.05W1%+/-100PPM10R0
R451	0698-7212	1	RESISTOR 100 +-1% .05W TF TC=0+-100	06424	NK3H.05W1%+/-100PPM100R0
R452	1810-0708	1	NET-RES 5 1.5K OHM 6-PIN	05524	MSP06A01-152G
R456	0698-7260	1	RESISTOR 10K +-1% .05W TF TC=0+-100	06424	NK3H.05W1%+/-100PPM1002
R457	0698-7229	1	RESISTOR 511 +-1% .05W TF TC=0+-100	06424	NK3H.05W1%+/-100PPM511R0
R458	0698-7261	1	RESISTOR 11K +-1% .05W TF TC=0+-100	05524	CMF-501102FT-1
R459	0698-7261	1	RESISTOR 11K +-1% .05W TF TC=0+-100	05524	CMF-501102FT-1
R460	0698-7230	1	RESISTOR 562 +-1% .05W TF TC=0+-100	05524	CMF-555620FT-1
R462	0698-7260	1	RESISTOR 10K +-1% .05W TF TC=0+-100	06424	NK3H.05W1%+/-100PPM1002
R463	0698-7260	1	RESISTOR 10K +-1% .05W TF TC=0+-100	06424	NK3H.05W1%+/-100PPM1002
R464	0757-0443	1	RESISTOR 11K +-1% .125W TF TC=0+-100	05524	CMF-551102FT-1
R465	0698-3440	1	RESISTOR 196 +-1% .125W TF TC=0+-100	05524	CMF-551960FT-1
R466	0757-0394	1	RESISTOR 51.1 +-1% .125W TF TC=0+-100	05524	CMF-5551R1FT-1
R467	0698-7260	1	RESISTOR 10K +-1% .05W TF TC=0+-100	06424	NK3H.05W1%+/-100PPM1002
R468	0698-7260	1	RESISTOR 10K +-1% .05W TF TC=0+-100	06424	NK3H.05W1%+/-100PPM1002
R469	0757-0276	1	RESISTOR 61.9 +-1% .125W TF TC=0+-100	05524	CMF-5561R9FT-1
R470	0757-0416	1	RESISTOR 511 +-1% .125W TF TC=0+-100	06424	NK4H.125W1%+/-100PPM511R0
R471	0698-7210	1	RESISTOR 82.5 +-1% .05W TF TC=0+-100	06424	NK3H.05W1%+/-100PPM82R5

**Indicates factory-selected value*

CLIP 08563-90200 23

Scans by ArtekMedia => 2009

HP Part Number 08563-60133
Radio Frequency (continued)

Reference Designator	HP Part Number	Qty	Description	Mfr Code	Mfr Part Number
R472	0698-7214	1	RESISTOR 121 +-1% .05W TF TC=0+-100	06424	NK3H.05W1%+/-100PPM121R0
R473	0698-3132	1	RESISTOR 261 +-1% .125W TF TC=0+-100	06424	NK4H.125W1%+/-100PPM261R0
R474	0698-7212	1	RESISTOR 100 +-1% .05W TF TC=0+-100	06424	NK3H.05W1%+/-100PPM100R0
R475	0698-7207	1	RESISTOR 61.9 +-1% .05W TF TC=0+-100	06424	NK3H.05W1%+/-100PPM61R9
R476	0698-7222	1	RESISTOR 261 +-1% .05W TF TC=0+-100	06424	NK3H.05W1%+/-100PPM261R0
R477	0698-7207	1	RESISTOR 61.9 +-1% .05W TF TC=0+-100	06424	NK3H.05W1%+/-100PPM61R9
R478	0698-7233	1	RESISTOR 750 +-1% .05W TF TC=0+-100	06424	NK3H.05W1%+/-100PPM750R0
R479	0698-7221	1	RESISTOR 237 +-1% .05W TF TC=0+-100	05524	CMF-502370FT-1
R480	0698-3445	1	RESISTOR 348 +-1% .125W TF TC=0+-100	06424	NK4H.125W1%+/-100PPM348R0
R481	0698-7240	1	RESISTOR 1.47K +-1% .05W TF TC=0+-100	06424	NK3H.05W1%+/-100PPM1471
R482	0698-7225	1	RESISTOR 348 +-1% .05W TF TC=0+-100	06424	NK3H.05W1%+/-100PPM348R0
R483	0698-7188	1	RESISTOR 10 +-1% .05W TF TC=0+-100	06424	NK3H.05W1%+/-100PPM10R0
R484	0698-7236	1	RESISTOR 1K +-1% .05W TF TC=0+-100	06424	NK3H.05W1%+/-100PPM1001
R486	0757-0442	1	RESISTOR 10K +-1% .125W TF TC=0+-100	05524	CMF-551002FT-1
R487	0757-0442	1	RESISTOR 10K +-1% .125W TF TC=0+-100	05524	CMF-551002FT-1
R488	0757-0442	1	RESISTOR 10K +-1% .125W TF TC=0+-100	05524	CMF-551002FT-1
R489	0757-0400	1	RESISTOR 90.9 +-1% .125W TF TC=0+-100	05524	CMF-5590R9FT-1
R490	0757-0276	1	RESISTOR 61.9 +-1% .125W TF TC=0+-100	05524	CMF-5561R9FT-1
R491	0698-7207	1	RESISTOR 61.9 +-1% .05W TF TC=0+-100	06424	NK3H.05W1%+/-100PPM61R9
R492	0698-7208	1	RESISTOR 68.1 +-1% .05W TF TC=0+-100	05524	CMF-5068R1FT-1
R493	0698-3445	1	RESISTOR 348 +-1% .125W TF TC=0+-100	06424	NK4H.125W1%+/-100PPM348R0
R494	0698-7260	1	RESISTOR 10K +-1% .05W TF TC=0+-100	06424	NK3H.05W1%+/-100PPM1002
R495	0698-7260	1	RESISTOR 10K +-1% .05W TF TC=0+-100	06424	NK3H.05W1%+/-100PPM1002
R496	0698-7221	1	RESISTOR 237 +-1% .05W TF TC=0+-100	05524	CMF-502370FT-1
R501	0699-1421	1	RESISTOR 178 +-1% .125W TKF TC=0+-100	09891	RK73H2BT1780F
R502	0699-1421	1	RESISTOR 178 +-1% .125W TKF TC=0+-100	09891	RK73H2BT1780F
R503	0699-1356	1	RESISTOR 31.6 +-1% .25W TKF TC=0+-100	09891	RK73H2BT31R6F
R504	0699-1391	1	RESISTOR 10K +-1% .125W TKF TC=0+-100	05524	CRCW12061002F
R505	0699-1429	1	RESISTOR 383 +-1% .125W TKF TC=0+-100	09891	RK73H2BT3830F
R506	0699-1376	1	RESISTOR 2.15K +-1% .125W TKF TC=0+-100	09891	RK73H2BT2151F
R507	0699-1425	1	RESISTOR 261 +-1% .125W TKF TC=0+-100	00746	MCR18-F-2610
R509	0699-1361	1	RESISTOR 51.1 +-1% .125W TKF TC=0+-100	05524	CRCW120651R1F
R510	0699-1391	1	RESISTOR 10K +-1% .125W TKF TC=0+-100	05524	CRCW12061002F
R511	0699-1383	1	RESISTOR 4.22K +-1% .125W TKF TC=0+-100	00746	MCR18-F-4221
R512	0699-1432	1	RESISTOR 511 +-1% .125W TKF TC=0+-100	00746	MCR18-F-5110

**HP Part Number 08563-60133
Radio Frequency (continued)**

Reference Designator	HP Part Number	Qty	Description	Mfr Code	Mfr Part Number
R513	0699-1361	1	RESISTOR 51.1 +-1% .125W TKF TC=0+-100	05524	CRCW120651R1F
R514	0699-1361	1	RESISTOR 51.1 +-1% .125W TKF TC=0+-100	05524	CRCW120651R1F
R515	0699-1422	1	RESISTOR 196 +-1% .125W TKF TC=0+-100	09891	RK73H2BT1960F
R516	0699-1370	1	RESISTOR 1.21K +-1% .125W TKF TC=0+-100	05524	CRCW12061211F
R517	0699-1427	1	RESISTOR 316 +-1% .125W TKF TC=0+-100	09891	RK73H2BT3160F
R518	0699-1344	1	RESISTOR 10 +-1% .125W TKF TC=0+-100	09891	RK73H2BT10R0F
R519	0699-1391	1	RESISTOR 10K +-1% .125W TKF TC=0+-100	05524	CRCW12061002F
R520	0699-2776	1	RESISTOR 1 +-10% .125W TKF TC=0+-500	00746	MCR18-K-010
R521	0699-1344	1	RESISTOR 10 +-1% .125W TKF TC=0+-100	09891	RK73H2BT10R0F
R522	0699-1365	1	RESISTOR 75 +-1% .125W TKF TC=0+-100	05524	CRCW120675R0F
R523	0699-1377	1	RESISTOR 2.37K +-1% .125W TKF TC=0+-100	09891	RK73H2BT2371F
R524	0699-1418	1	RESISTOR 133 +-1% .125W TKF TC=0+-100	05524	CRCW12061330F
R525	0699-1318	1	RESISTOR 1K +-1% .125W TKF TC=0+-100	00746	MCR18-F-1001
R526	0757-0424	1	RESISTOR 1.1K +-1% .125W TF TC=0+-100	06424	NK4H.125W1%+/-100PPM1101
R527	0757-0418	1	RESISTOR 619 +-1% .125W TF TC=0+-100	05524	CMF-556190FT-1
R528	0699-1422	1	RESISTOR 196 +-1% .125W TKF TC=0+-100	09891	RK73H2BT1960F
R529	0699-1391	1	RESISTOR 10K +-1% .125W TKF TC=0+-100	05524	CRCW12061002F
R530	0757-0180	1	RESISTOR 31.6 +-1% .125W TF TC=0+-100	06424	NK4H.125W1%+/-100PPM31R6
R531	0757-0405	1	RESISTOR 162 +-1% .125W TF TC=0+-100	06424	NK4H.125W1%+/-100PPM162R0
R532	0757-0405	1	RESISTOR 162 +-1% .125W TF TC=0+-100	06424	NK4H.125W1%+/-100PPM162R0
R533	0699-1344	1	RESISTOR 10 +-1% .125W TKF TC=0+-100	09891	RK73H2BT10R0F
R534	0757-0442	1	RESISTOR 10K +-1% .125W TF TC=0+-100	05524	CMF-551002FT-1
R535	0698-3447	1	RESISTOR 422 +-1% .125W TF TC=0+-100	05524	CMF-554220FT-1
R536	0698-3438	1	RESISTOR 147 +-1% .125W TF TC=0+-100	05524	CMF-551470FT-1
R537	0698-0084	1	RESISTOR 2.15K +-1% .125W TF TC=0+-100	06424	NK4H.125W1%+/-100PPM2151
R538	0698-3132	1	RESISTOR 261 +-1% .125W TF TC=0+-100	06424	NK4H.125W1%+/-100PPM261R0
R539	0699-1415	1	RESISTOR 100 +-1% .125W TKF TC=0+-100	05524	CRCW12061000F
R540	0698-3443	1	RESISTOR 287 +-1% .125W TF TC=0+-100	06424	NK4H.125W1%+/-100PPM287R0
R541	0698-7188	1	RESISTOR 10 +-1% .05W TF TC=0+-100	06424	NK3H.05W1%+/-100PPM10R0
R543	0698-3443	1	RESISTOR 287 +-1% .125W TF TC=0+-100	06424	NK4H.125W1%+/-100PPM287R0
R544	0757-0294	1	RESISTOR 17.8 +-1% .125W TF TC=0+-100	05524	CMF-5517R8FT-1
R545	0698-3444	1	RESISTOR 316 +-1% .125W TF TC=0+-100	06424	NK4H.125W1%+/-100PPM316R0
R546	0698-0085	1	RESISTOR 2.61K +-1% .25W TF TC=0+-100	05524	CMF-552611FT-1
R547	0757-0416	1	RESISTOR 511 +-1% .125W TF TC=0+-100	06424	NK4H.125W1%+/-100PPM511R0
R548	0757-0442	1	RESISTOR 10K +-1% .125W TF TC=0+-100	05524	CMF-551002FT-1

*Indicates factory-selected value

CLIP 08563-90200 25

Scans by ArtekMedia => 2009

HP Part Number 08563-60133
Radio Frequency (continued)

Reference Designator	HP Part Number	Qty	Description	Mfr Code	Mfr Part Number
R549	0757-0398	1	RESISTOR 75 +-1% .125W TF TC=0+-100	05524	CMF-5575R0FT-1
R550	0757-0401	1	RESISTOR 100 +-1% .125W TF TC=0+-100	05524	CMF-551000FT-1
R551	0757-0403	1	RESISTOR 121 +-1% .125W TF TC=0+-100	05524	CMF-551210FT-1
R552	0757-0394	1	RESISTOR 51.1 +-1% .125W TF TC=0+-100	05524	CMF-5551R1FT-1
R553	0757-0416	1	RESISTOR 511 +-1% .125W TF TC=0+-100	06424	NK4H.125W1%+/-100PPM511R0
R554	0757-0280	1	RESISTOR 1K +-1% .125W TF TC=0+-100	05524	CMF-551001FT-1
R555	0757-0465	1	RESISTOR 100K +-1% .125W TF TC=0+-100	05524	CMF-551003FT-1
R556	0757-0442	1	RESISTOR 10K +-1% .125W TF TC=0+-100	05524	CMF-551002FT-1
R557	0757-0416	1	RESISTOR 511 +-1% .125W TF TC=0+-100	06424	NK4H.125W1%+/-100PPM511R0
R558	0757-0401	1	RESISTOR 100 +-1% .125W TF TC=0+-100	05524	CMF-551000FT-1
R561	2100-3091	1	RESISTOR-TRMR 2K 10% TKF TOP-ADJ 17-TRN	04568	67WR
R562	0698-3154	1	RESISTOR 4.22K +-1% .125W TF TC=0+-100	05524	CMF-554221FT-1
R563	0698-6360	1	RESISTOR 10K +-0.1% .125W TF TC=0+-25	05524	CMF-551002BT-9
R564	0698-3454	1	RESISTOR 215K +-1% .125W TF TC=0+-100	06424	NK4H.125W1%+/-100PPM2153
R565	0757-0405	1	RESISTOR 162 +-1% .125W TF TC=0+-100	06424	NK4H.125W1%+/-100PPM162R0
R566	0698-0082	1	RESISTOR 464 +-1% .125W TF TC=0+-100	06424	NK4H.125W1%+/-100PPM464R0
R567	0699-1365	1	RESISTOR 75 +-1% .125W TKF TC=0+-100	05524	CRCW120675R0F
R568	0699-1417	1	RESISTOR 121 +-1% .125W TKF TC=0+-100	09891	RK73H2BT1210F
R569	0699-1365	1	RESISTOR 75 +-1% .125W TKF TC=0+-100	05524	CRCW120675R0F
R570	0699-1382	1	RESISTOR 3.83K +-1% .125W TKF TC=0+-100	05524	CRCW12063831F
R571	0699-1358	1	RESISTOR 38.3 +-1% .125W TKF TC=0+-100	09891	RK73H2BT38R3F
R572	0699-1434	1	RESISTOR 619 +-1% .125W TKF TC=0+-100	05524	CRCW12061960F
R573	0699-1444	1	RESISTOR 178K +-1% .125W TKF TC=0+-100	05524	CRCW12061783F
R574	0699-1444	1	RESISTOR 178K +-1% .125W TKF TC=0+-100	05524	CRCW12061783F
R576	0699-1403	1	RESISTOR 31.6K +-1% .125W TKF TC=0+-100	00746	MCR18-F-3162
R577	0699-1403	1	RESISTOR 31.6K +-1% .125W TKF TC=0+-100	00746	MCR18-F-3162
R578	0699-1403	1	RESISTOR 31.6K +-1% .125W TKF TC=0+-100	00746	MCR18-F-3162
R579	0699-1403	1	RESISTOR 31.6K +-1% .125W TKF TC=0+-100	00746	MCR18-F-3162
R580	0699-1330	1	RESISTOR 100K +-1% .125W TKF TC=0+-100	00746	MCR18-F-1003
R581	0699-1330	1	RESISTOR 100K +-1% .125W TKF TC=0+-100	00746	MCR18-F-1003
R582	0699-1391	1	RESISTOR 10K +-1% .125W TKF TC=0+-100	05524	CRCW12061002F
R583	0699-1380	1	RESISTOR 3.16K +-1% .125W TKF TC=0+-100	05524	CRCW12063161F
R584	0699-1391	1	RESISTOR 10K +-1% .125W TKF TC=0+-100	05524	CRCW12061002F
R585	0699-1370	1	RESISTOR 1.21K +-1% .125W TKF TC=0+-100	05524	CRCW12061211F
R586	0698-3394	1	RESISTOR 31.6 +-1% .5W TF TC=0+-100	05524	CMF-6531R6FT-1

**HP Part Number 08563-60133
Radio Frequency (continued)**

Reference Designator	HP Part Number	Qty	Description	Mfr Code	Mfr Part Number
R587	0699-1421	1	RESISTOR 178 +-1% .125W TKF TC=0+-100	09891	RK73H2BT1780F
R588	0699-1356	1	RESISTOR 31.6 +-1% .25W TKF TC=0+-100	09891	RK73H2BT31R6F
R589	0699-1421	1	RESISTOR 178 +-1% .125W TKF TC=0+-100	09891	RK73H2BT1780F
R590	0699-1437	1	RESISTOR 825 +-1% .125W TKF TC=0+-100	00746	MCR18-F-8250
R591	0699-1419	1	RESISTOR 147 +-1% .125W TKF TC=0+-100	05524	CRCW12061470F
R592	0699-1348	1	RESISTOR 14.7 +-1% .125W TKF TC=0+-100	05524	CRCW120614R7F
R593	0699-2064	1	RESISTOR 6.8 +-5% .125W TKF TC=0+-500	00746	MCR18-J-6R8
R595	0699-1425	1	RESISTOR 261 +-1% .125W TKF TC=0+-100	00746	MCR18-F-2610
R596	0699-1429	1	RESISTOR 383 +-1% .125W TKF TC=0+-100	09891	RK73H2BT3830F
R597	0699-1361	1	RESISTOR 51.1 +-1% .125W TKF TC=0+-100	05524	CRCW120651R1F
R621	0699-1369	1	RESISTOR 1.1K +-1% .125W TKF TC=0+-100	05524	CRCW12061101F
R622	0699-1318	1	RESISTOR 1K +-1% .125W TKF TC=0+-100	00746	MCR18-F-1001
R623	0699-1385	1	RESISTOR 5.11K +-1% .125W TKF TC=0+-100	05524	CRCW12065111F
R624	0699-1385	1	RESISTOR 5.11K +-1% .125W TKF TC=0+-100	05524	CRCW12065111F
R637	0699-1422	1	RESISTOR 196 +-1% .125W TKF TC=0+-100	09891	RK73H2BT1960F
R638	0699-1436	1	RESISTOR 750 +-1% .125W TKF TC=0+-100	09891	RK73H2BT7500F
R644	0699-1418	1	RESISTOR 133 +-1% .125W TKF TC=0+-100	05524	CRCW12061330F
R645	0699-1418	1	RESISTOR 133 +-1% .125W TKF TC=0+-100	05524	CRCW12061330F
R646	0699-1418	1	RESISTOR 133 +-1% .125W TKF TC=0+-100	05524	CRCW12061330F
R647	0699-1418	1	RESISTOR 133 +-1% .125W TKF TC=0+-100	05524	CRCW12061330F
R648	0699-1318	1	RESISTOR 1K +-1% .125W TKF TC=0+-100	00746	MCR18-F-1001
R649	0699-1318	1	RESISTOR 1K +-1% .125W TKF TC=0+-100	00746	MCR18-F-1001
R650	0699-1318	1	RESISTOR 1K +-1% .125W TKF TC=0+-100	00746	MCR18-F-1001
R652	0699-1415	1	RESISTOR 100 +-1% .125W TKF TC=0+-100	05524	CRCW12061000F
R653	0699-1432	1	RESISTOR 511 +-1% .125W TKF TC=0+-100	00746	MCR18-F-5110
R654	0699-1344	1	RESISTOR 10 +-1% .125W TKF TC=0+-100	09891	RK73H2BT10R0F
R655	0699-1376	1	RESISTOR 2.15K +-1% .125W TKF TC=0+-100	09891	RK73H2BT2151F
R656	0699-1354	1	RESISTOR 26.1 +-1% .125W TKF TC=0+-100	09891	RK73H2BT26R1F
R657	0699-1344	1	RESISTOR 10 +-1% .125W TKF TC=0+-100	09891	RK73H2BT10R0F
R658	0699-1391	1	RESISTOR 10K +-1% .125W TKF TC=0+-100	05524	CRCW12061002F
R659	0699-1383	1	RESISTOR 4.22K +-1% .125W TKF TC=0+-100	00746	MCR18-F-4221
R661	0699-1391	1	RESISTOR 10K +-1% .125W TKF TC=0+-100	05524	CRCW12061002F
R662	0699-1419	1	RESISTOR 147 +-1% .125W TKF TC=0+-100	05524	CRCW12061470F
R663	0699-1437	1	RESISTOR 825 +-1% .125W TKF TC=0+-100	00746	MCR18-F-8250
R664	0699-1361	1	RESISTOR 51.1 +-1% .125W TKF TC=0+-100	05524	CRCW120651R1F

**Indicates factory-selected value*

CLIP 08563-90200 27

Scans by ArtekMedia => 2009

HP Part Number 08563-60133
Radio Frequency (continued)

Reference Designator	HP Part Number	Qty	Description	Mfr Code	Mfr Part Number
R665	0699-1330	1	RESISTOR 100K +-1% .125W TKF TC=0+-100	00746	MCR18-F-1003
R666	0699-1385	1	RESISTOR 5.11K +-1% .125W TKF TC=0+-100	05524	CRCW12065111F
R667	0699-1391	1	RESISTOR 10K +-1% .125W TKF TC=0+-100	05524	CRCW12061002F
R668	0699-1391	1	RESISTOR 10K +-1% .125W TKF TC=0+-100	05524	CRCW12061002F
R669	0699-1379	1	RESISTOR 2.87K +-1% .125W TKF TC=0+-100	00746	MCR18-F-2871
R670	0699-1329	1	RESISTOR 6.19K +-1% .125W TKF TC=0+-100	05524	CRCW12066191F
R671	0699-1391	1	RESISTOR 10K +-1% .125W TKF TC=0+-100	05524	CRCW12061002F
R672	0699-1365	1	RESISTOR 75 +-1% .125W TKF TC=0+-100	05524	CRCW120675R0F
R673	0699-1361	1	RESISTOR 51.1 +-1% .125W TKF TC=0+-100	05524	CRCW120651R1F
R674	0699-1391	1	RESISTOR 10K +-1% .125W TKF TC=0+-100	05524	CRCW12061002F
R675	0699-1361	1	RESISTOR 51.1 +-1% .125W TKF TC=0+-100	05524	CRCW120651R1F
R676	0699-1344	1	RESISTOR 10 +-1% .125W TKF TC=0+-100	09891	RK73H2BT10R0F
R677	0699-1415	1	RESISTOR 100 +-1% .125W TKF TC=0+-100	05524	CRCW12061000F
R678	0699-1415	1	RESISTOR 100 +-1% .125W TKF TC=0+-100	05524	CRCW12061000F
R679	0699-1381	1	RESISTOR 3.48K +-1% .125W TKF TC=0+-100	05524	CRCW12063481F
R680	0699-1420	1	RESISTOR 162 +-1% .125W TKF TC=0+-100	00746	MCR18-F-1620
R681	0699-1420	1	RESISTOR 162 +-1% .125W TKF TC=0+-100	00746	MCR18-F-1620
R682	0699-1420	1	RESISTOR 162 +-1% .125W TKF TC=0+-100	00746	MCR18-F-1620
R683	0699-1391	1	RESISTOR 10K +-1% .125W TKF TC=0+-100	05524	CRCW12061002F
R684	0699-1399	1	RESISTOR 23.7K +-1% .125W TKF TC=0+-100	05524	CRCW12062372F
R685	0699-1438	1	RESISTOR 909 +-1% .125W TKF TC=0+-100	05524	CRCW12069090F
R686	0699-2064	1	RESISTOR 6.8 +-5% .125W TKF TC=0+-500	00746	MCR18-J-6R8
R687	0699-1438	1	RESISTOR 909 +-1% .125W TKF TC=0+-100	05524	CRCW12069090F
R700	0699-1374	1	RESISTOR 1.78K +-1% .125W TKF TC=0+-100	09891	RK73H2BT1781F
R701	0699-1349	1	RESISTOR 16.2 +-1% .125W TKF TC=0+-100	09891	RK73H2BT16R2F
R702	0699-1349	1	RESISTOR 16.2 +-1% .125W TKF TC=0+-100	09891	RK73H2BT16R2F
R703	0699-1349	1	RESISTOR 16.2 +-1% .125W TKF TC=0+-100	09891	RK73H2BT16R2F
R704	0699-1349	1	RESISTOR 16.2 +-1% .125W TKF TC=0+-100	09891	RK73H2BT16R2F
R705	0699-1438	1	RESISTOR 909 +-1% .125W TKF TC=0+-100	05524	CRCW12069090F
R706	0699-1369	1	RESISTOR 1.1K +-1% .125W TKF TC=0+-100	05524	CRCW12061101F
R707	0699-1429	1	RESISTOR 383 +-1% .125W TKF TC=0+-100	09891	RK73H2BT3830F
R708	0699-1423	1	RESISTOR 215 +-1% .125W TKF TC=0+-100	05524	CRCW12062150F
R709	0699-1353	1	RESISTOR 23.7 +-1% .125W TKF TC=0+-100	00746	MCR18-F-23R7
R710	0699-1423	1	RESISTOR 215 +-1% .125W TKF TC=0+-100	05524	CRCW12062150F
R711	0699-1422	1	RESISTOR 196 +-1% .125W TKF TC=0+-100	09891	RK73H2BT1960F

HP Part Number 08563-60133
Radio Frequency (continued)

Reference Designator	HP Part Number	Qty	Description	Mfr Code	Mfr Part Number
R712	0699-1320	1	RESISTOR 19.6K +-1% .125W TKF TC=0+-100	09891	RK73H2BT1962F
R713	0699-1370	1	RESISTOR 1.21K +-1% .125W TKF TC=0+-100	05524	CRCW12061211F
R714	0699-1422	1	RESISTOR 196 +-1% .125W TKF TC=0+-100	09891	RK73H2BT1960F
R715	0699-1421	1	RESISTOR 178 +-1% .125W TKF TC=0+-100	09891	RK73H2BT1780F
R716	0699-1363	1	RESISTOR 61.9 +-1% .125W TKF TC=0+-100	05524	CRCW120661R9F
R717	0699-1354	1	RESISTOR 26.1 +-1% .125W TKF TC=0+-100	09891	RK73H2BT26R1F
R718	0699-1416	1	RESISTOR 110 +-1% .125W TKF TC=0+-100	05524	CRCW12061100F
R719	0699-1423	1	RESISTOR 215 +-1% .125W TKF TC=0+-100	05524	CRCW12062150F
R720	0699-1423	1	RESISTOR 215 +-1% .125W TKF TC=0+-100	05524	CRCW12062150F
R721	0699-1415	1	RESISTOR 100 +-1% .125W TKF TC=0+-100	05524	CRCW12061000F
R722	0699-1362	1	RESISTOR 56.2 +-1% .125W TKF TC=0+-100	00746	MCR18-F-56R2
R723	0699-1361	1	RESISTOR 51.1 +-1% .125W TKF TC=0+-100	05524	CRCW120651R1F
R724	0699-1416	1	RESISTOR 110 +-1% .125W TKF TC=0+-100	05524	CRCW12061100F
R725	0699-1416	1	RESISTOR 110 +-1% .125W TKF TC=0+-100	05524	CRCW12061100F
R726	0699-1416	1	RESISTOR 110 +-1% .125W TKF TC=0+-100	05524	CRCW12061100F
R727	0699-1416	1	RESISTOR 110 +-1% .125W TKF TC=0+-100	05524	CRCW12061100F
R728	0699-1361	1	RESISTOR 51.1 +-1% .125W TKF TC=0+-100	05524	CRCW120651R1F
R729	0699-1416	1	RESISTOR 110 +-1% .125W TKF TC=0+-100	05524	CRCW12061100F
R730	0699-1416	1	RESISTOR 110 +-1% .125W TKF TC=0+-100	05524	CRCW12061100F
R731	0699-1416	1	RESISTOR 110 +-1% .125W TKF TC=0+-100	05524	CRCW12061100F
R732	0699-1416	1	RESISTOR 110 +-1% .125W TKF TC=0+-100	05524	CRCW12061100F
R733	0699-1364	1	RESISTOR 68.1 +-1% .125W TKF TC=0+-100	05524	CRCW120668R1F
R734	0699-1359	1	RESISTOR 42.2 +-1% .125W TKF TC=0+-100	05524	CRCW120642R2F
R735	0699-1418	1	RESISTOR 133 +-1% .125W TKF TC=0+-100	05524	CRCW12061330F
R736	0699-1359	1	RESISTOR 42.2 +-1% .125W TKF TC=0+-100	05524	CRCW120642R2F
R737	0699-1418	1	RESISTOR 133 +-1% .125W TKF TC=0+-100	05524	CRCW12061330F
R738	0699-1419	1	RESISTOR 147 +-1% .125W TKF TC=0+-100	05524	CRCW12061470F
R739	0699-1344	1	RESISTOR 10 +-1% .125W TKF TC=0+-100	09891	RK73H2BT10R0F
R740	0699-1419	1	RESISTOR 147 +-1% .125W TKF TC=0+-100	05524	CRCW12061470F
R741	0699-1415	1	RESISTOR 100 +-1% .125W TKF TC=0+-100	05524	CRCW12061000F
R801	0757-0280	1	RESISTOR 1K +-1% .125W TF TC=0+-100	05524	CMF-551001FT-1
R802	0757-0280	1	RESISTOR 1K +-1% .125W TF TC=0+-100	05524	CMF-551001FT-1
R803	0698-3439	1	RESISTOR 178 +-1% .125W TF TC=0+-100	05524	CMF-551780FT-1
R804	0698-3442	1	RESISTOR 237 +-1% .125W TF TC=0+-100	05524	CMF-552370FT-1
R805	0698-3442	1	RESISTOR 237 +-1% .125W TF TC=0+-100	05524	CMF-552370FT-1

**Indicates factory-selected value*

CLIP 08563-90200 29

Scans by ArtekMedia => 2009

HP Part Number 08563-60133
Radio Frequency (continued)

Reference Designator	HP Part Number	Qty	Description	Mfr Code	Mfr Part Number
R806	0699-1391	1	RESISTOR 10K +-1% .125W TKF TC=0+-100	05524	CRCW12061002F
R807	0699-1385	1	RESISTOR 5.11K +-1% .125W TKF TC=0+-100	05524	CRCW12065111F
R808	0699-1361	1	RESISTOR 51.1 +-1% .125W TKF TC=0+-100	05524	CRCW120651R1F
R809	0699-1361	1	RESISTOR 51.1 +-1% .125W TKF TC=0+-100	05524	CRCW120651R1F
R811	0699-1366	1	RESISTOR 82.5 +-1% .125W TKF TC=0+-100	05524	CRCW120682R5F
R812	0699-1366	1	RESISTOR 82.5 +-1% .125W TKF TC=0+-100	05524	CRCW120682R5F
R813	0699-1367	1	RESISTOR 90.9 +-1% .125W TKF TC=0+-100	05524	CRCW120690R9F
R814	0699-1367	1	RESISTOR 90.9 +-1% .125W TKF TC=0+-100	05524	CRCW120690R9F
R815	0699-1361	1	RESISTOR 51.1 +-1% .125W TKF TC=0+-100	05524	CRCW120651R1F
R816	0699-1361	1	RESISTOR 51.1 +-1% .125W TKF TC=0+-100	05524	CRCW120651R1F
R817	0699-1344	1	RESISTOR 10 +-1% .125W TKF TC=0+-100	09891	RK73H2BT10R0F
R818	0699-1318	1	RESISTOR 1K +-1% .125W TKF TC=0+-100	00746	MCR18-F-1001
R819	0699-1378	1	RESISTOR 2.61K +-1% .125W TKF TC=0+-100	09891	RK73H2BT2611F
R820	0699-1425	1	RESISTOR 261 +-1% .125W TKF TC=0+-100	00746	MCR18-F-2610
R821	0699-1318	1	RESISTOR 1K +-1% .125W TKF TC=0+-100	00746	MCR18-F-1001
R822	0699-1370	1	RESISTOR 1.21K +-1% .125W TKF TC=0+-100	05524	CRCW12061211F
R823	0699-1422	1	RESISTOR 196 +-1% .125W TKF TC=0+-100	09891	RK73H2BT1960F
R824	0699-1361	1	RESISTOR 51.1 +-1% .125W TKF TC=0+-100	05524	CRCW120651R1F
R825	0699-1361	1	RESISTOR 51.1 +-1% .125W TKF TC=0+-100	05524	CRCW120651R1F
R826	0699-1422	1	RESISTOR 196 +-1% .125W TKF TC=0+-100	09891	RK73H2BT1960F
R827	0699-1422	1	RESISTOR 196 +-1% .125W TKF TC=0+-100	09891	RK73H2BT1960F
R828	0699-1415	1	RESISTOR 100 +-1% .125W TKF TC=0+-100	05524	CRCW12061000F
R829	0699-1435	1	RESISTOR 681 +-1% .125W TKF TC=0+-100	09891	RK73H2BT6810F
R830	0699-1378	1	RESISTOR 2.61K +-1% .125W TKF TC=0+-100	09891	RK73H2BT2611F
R831	0699-1427	1	RESISTOR 316 +-1% .125W TKF TC=0+-100	09891	RK73H2BT3160F
R832	0699-1349	1	RESISTOR 16.2 +-1% .125W TKF TC=0+-100	09891	RK73H2BT16R2F
R833	0699-1427	1	RESISTOR 316 +-1% .125W TKF TC=0+-100	09891	RK73H2BT3160F
R834	0699-1344	1	RESISTOR 10 +-1% .125W TKF TC=0+-100	09891	RK73H2BT10R0F
R835	0699-1357	1	RESISTOR 34.8 +-1% .125W TKF TC=0+-100	09891	RK73H2BT34R8F
R836	0699-1357	1	RESISTOR 34.8 +-1% .125W TKF TC=0+-100	09891	RK73H2BT34R8F
R837	0699-1357	1	RESISTOR 34.8 +-1% .125W TKF TC=0+-100	09891	RK73H2BT34R8F
R838	0699-1371	1	RESISTOR 1.33K +-1% .125W TKF TC=0+-100	05524	CRCW12061331F
R839	0699-1378	1	RESISTOR 2.61K +-1% .125W TKF TC=0+-100	09891	RK73H2BT2611F
R840	0699-1361	1	RESISTOR 51.1 +-1% .125W TKF TC=0+-100	05524	CRCW120651R1F
R909	0698-7236	1	RESISTOR 1K +-1% .05W TF TC=0+-100	06424	NK3H.05W1%+/-100PPM1001

**HP Part Number 08563-60133
Radio Frequency (continued)**

Reference Designator	HP Part Number	Qty	Description	Mfr Code	Mfr Part Number
R910	0698-7236	1	RESISTOR 1K +-1% .05W TF TC=0+-100	06424	NK3H.05W1%+/-100PPM1001
R911	0698-7236	1	RESISTOR 1K +-1% .05W TF TC=0+-100	06424	NK3H.05W1%+/-100PPM1001
R912	0698-3159	1	RESISTOR 26.1K +-1% .25W TF TC=0+-100	05524	CMF-552612FT-1
R913	0757-0442	1	RESISTOR 10K +-1% .125W TF TC=0+-100	05524	CMF-551002FT-1
R914	0757-0442	1	RESISTOR 10K +-1% .125W TF TC=0+-100	05524	CMF-551002FT-1
R915	0757-0442	1	RESISTOR 10K +-1% .125W TF TC=0+-100	05524	CMF-551002FT-1
R916	0698-3440	1	RESISTOR 196 +-1% .125W TF TC=0+-100	05524	CMF-551960FT-1
R917	0698-3440	1	RESISTOR 196 +-1% .125W TF TC=0+-100	05524	CMF-551960FT-1
R918	0757-0465	1	RESISTOR 100K +-1% .125W TF TC=0+-100	05524	CMF-551003FT-1
R919	0757-0458	1	RESISTOR 51.1K +-1% .125W TF TC=0+-100	06424	NK4H.125W1%+/-100PPM5112
R920	0757-0280	1	RESISTOR 1K +-1% .125W TF TC=0+-100	05524	CMF-551001FT-1
R921	0757-0276	1	RESISTOR 61.9 +-1% .125W TF TC=0+-100	05524	CMF-5561R9FT-1
R922	0698-6360	1	RESISTOR 10K +-0.1% .125W TF TC=0+-25	05524	CMF-551002BT-9
R923	0698-6360	1	RESISTOR 10K +-0.1% .125W TF TC=0+-25	05524	CMF-551002BT-9
R924	0698-6630	1	RESISTOR 20K +-0.1% .125W TF TC=0+-25	05524	CMF-552002BT-9
R925	0757-0442	1	RESISTOR 10K +-1% .125W TF TC=0+-100	05524	CMF-551002FT-1
R926	2100-3863	1	RESISTOR-TRMR 200 10% TKF TOP-ADJ 17-TRN	03744	3299W-DM3-201
R927	0757-0442	1	RESISTOR 10K +-1% .125W TF TC=0+-100	05524	CMF-551002FT-1
R929	0757-0442	1	RESISTOR 10K +-1% .125W TF TC=0+-100	05524	CMF-551002FT-1
R930	0757-0442	1	RESISTOR 10K +-1% .125W TF TC=0+-100	05524	CMF-551002FT-1
R931	0757-0442	1	RESISTOR 10K +-1% .125W TF TC=0+-100	05524	CMF-551002FT-1
R932	0757-0442	1	RESISTOR 10K +-1% .125W TF TC=0+-100	05524	CMF-551002FT-1
R934	0698-7272	1	RESISTOR 31.6K +-1% .05W TF TC=0+-100	05524	CMF-503162FT-1
R935	0757-0465	1	RESISTOR 100K +-1% .125W TF TC=0+-100	05524	CMF-551003FT-1
R936	0699-1391	1	RESISTOR 10K +-1% .125W TKF TC=0+-100	05524	CRCW12061002F
R937	0699-1398	1	RESISTOR 21.5K +-1% .125W TKF TC=0+-100	05524	CRCW12062152F
R938	0699-1318	1	RESISTOR 1K +-1% .125W TKF TC=0+-100	00746	MCR18-F-1001
R939	0699-1437	1	RESISTOR 825 +-1% .125W TKF TC=0+-100	00746	MCR18-F-8250
R940	0699-1444	1	RESISTOR 178K +-1% .125W TKF TC=0+-100	05524	CRCW12061783F
R942	0699-1344	1	RESISTOR 10 +-1% .125W TKF TC=0+-100	09891	RK73H2BT10R0F
R943	0699-1318	1	RESISTOR 1K +-1% .125W TKF TC=0+-100	00746	MCR18-F-1001
R944	0699-2847	1	RESISTOR 2K +-0.1% .125W TF TC=0+-25	01172	BLU-1206 2K .1% 25PPM
R945	0699-2847	1	RESISTOR 2K +-0.1% .125W TF TC=0+-25	01172	BLU-1206 2K .1% 25PPM
R946	0699-2847	1	RESISTOR 2K +-0.1% .125W TF TC=0+-25	01172	BLU-1206 2K .1% 25PPM
R947	0699-2847	1	RESISTOR 2K +-0.1% .125W TF TC=0+-25	01172	BLU-1206 2K .1% 25PPM

**Indicates factory-selected value*

CLIP 08563-90200 31

Scans by ArtekMedia => 2009

HP Part Number 08563-60133
Radio Frequency (continued)

Reference Designator	HP Part Number	Qty	Description	Mfr Code	Mfr Part Number
R948	0699-2489	1	RESISTOR 10K +-0.1% .125W TF TC=0+-25	01172	BLU-1206 10K .1% 25PPM
R949	0699-2489	1	RESISTOR 10K +-0.1% .125W TF TC=0+-25	01172	BLU-1206 10K .1% 25PPM
R950	0699-2490	1	RESISTOR 1K +-0.1% .125W TF TC=0+-25	01172	BLU-1206 1K .1% 25PPM
R951	0699-2490	1	RESISTOR 1K +-0.1% .125W TF TC=0+-25	01172	BLU-1206 1K .1% 25PPM
R952	0699-1380	1	RESISTOR 3.16K +-1% .125W TKF TC=0+-100	05524	CRCW12063161F
R953	0699-2841	1	RESISTOR 9K +-0.1% .125W TF TC=0+-25	02499	W1206R039001BT
R954	0699-2841	1	RESISTOR 9K +-0.1% .125W TF TC=0+-25	02499	W1206R039001BT
RT901	0837-0269	1	THERMISTOR TUB WITH AXL LEADS 10K-OHM	10015	P1H103G
T100	9100-4772	1	TRANSFORMER-RF FREQ RANGE,;2 TO 600 MHz	02739	TM04-2
T400	9100-4941	1	TRANSFORMER-RF OPERATING FREQUENCY	02391	9100-4941
T501	9100-4982	1	TRANSFORMER-SMALL SIGNAL SMT; PRIMARY	01886	M1590-B
T652	9100-4444	1	TRANSFORMER-RF INPUT IMP.:50 OHMS	02739	T1-1T-X65
T700	9100-5140	1	TRANSFORMER-SMALL SIGNAL SMT, PRIMARY	01886	R4488-A
T701	9100-4982	1	TRANSFORMER-SMALL SIGNAL SMT; PRIMARY	01886	M1590-B
T702	9100-4763	1	TRANSFORMER-SMALL SIGNAL	01886	J9140-A
T703	9100-4982	1	TRANSFORMER-SMALL SIGNAL SMT; PRIMARY	01886	M1590-B
T801	9100-4981	1	TRANSFORMER-SMALL SIGNAL	01886	M1589-B
T802	9100-4983	1	TRANSFORMER-SMALL SIGNAL SMT; PRI	01886	M1591-B
T803	9100-4983	1	TRANSFORMER-SMALL SIGNAL SMT; PRI	01886	M1591-B
U100	5086-7806	1	SAMPLER AY	09507	5086-7806
U101	5087-3036	1		28480	5087-3036
U103	1813-0213	1	IC WIDEBAND AMPL 3-TO-39	02688	MWA130
U104	1826-1461	1	IC OP AMP LOW-BIAS-H-IMPD 8 PIN DIP-P	01698	TL071ACP
U302	1813-0458	1	PRECISION TCVCXOPRECISION TCVCXO	02483	970-3795-1
U303	1820-5945	1	IC GATE CMOS/AC NAND QUAD 2-INP	36633	MC74AC00D
U304	1820-5945	1	IC GATE CMOS/AC NAND QUAD 2-INP	36633	MC74AC00D
U305	1826-1826	1	IC PWR MGT-V-REG-ADJ-POS 1.2/37V 8 PINS	03406	LM317LM
U401	1826-2307	1	D/A 12-BIT 8-PLASTIC CMOS	03285	DAC-8043-HP
U402	1826-2555	1	IC OP AMP LOW-NOISE QUAD 14 PIN DIP-P	36633	MC33179P
U403	1820-7310	1	IC CNTR ECL/10E BIN SYNCHRO	36633	MC10E016FN
U404	1820-6072	1	IC CNTR CMOS/AC BIN SYNC/ASYN 16-PDIP	02237	74AC161PC
U405	1820-5655	1	IC GATE CMOS/AC OR QUAD 2-INP 14-PDIP	02237	74AC32PC
U406	1820-3081	1	IC FF CMOS/HC D-TYPE POS-EDGE-TRIG	01698	SN74HC74N
U407	1826-1369	1	IC PWR MGT-V-REF-FXD 9.95/10.05V 8 PINS	10858	LT1021DCN8-10
U408	1826-1049	1	IC OP AMP PRCN 8 PIN DIP-C	03285	OP-27GZ

HP Part Number 08563-60133
Radio Frequency (continued)

Reference Designator	HP Part Number	Qty	Description	Mfr Code	Mfr Part Number
U411	1826-0138	1	IC COMPARATOR GP QUAD 14 PIN DIP-P	03406	LM339N
U412	1826-0276	1	IC PWR MGT-V-REG-FXD-POS 4.8/5.2V TO-92	03406	LM78L05ACZ
U413	1826-0275	1	IC PWR MGT-V-REG-FXD-POS 11.5/12.5V	03406	LM78L12ACZ
U501	1826-2168	1	IC RF/IF AMPL HIGH-GAIN SINGLE 4 PIN	01542	HPMA-0486T15
U502	5087-8048	1	IC AC160 S COUNT	28480	5087-8048
U503	1820-5937	1	IC FF CMOS/AC D-TYPE POS-EDGE-TRIG	02237	74AC74SC.
U504	1820-5937	1	IC FF CMOS/AC D-TYPE POS-EDGE-TRIG	02237	74AC74SC.
U505	1820-5936	1	IC GATE CMOS/AC OR QUAD 2-INP	36633	MC74AC32DR2
U506	1826-1925	1	IC OP AMP LOW-NOISE SINGLE 8 PIN	03285	OP-27GS
U507	1826-0890	1	IC OP AMP GP DUAL 8 PIN DIP-P	03406	LM358AN
U508	1826-0122	1	IC PWR MGT-V-REG-FXD-POS 4.8/5.2V TO-220	03406	LM340T-5
U509	1826-1925	1	IC OP AMP LOW-NOISE SINGLE 8 PIN	03285	OP-27GS
U510	1826-1687	1	IC PWR MGT-V-REF-FXD 9.95/10.05V 8 PINS	10858	LT1021DCS8-10
U602	1813-1067	1	CLK-OSC-XTAL STD 298.000-MHZ 0.01%	02483	970-4451-0
U700	1826-2421	1	IC RF/IF AMPL 4 PIN U-WAVE-PILL	01542	MSA0505
U701	1826-2168	1	IC RF/IF AMPL HIGH-GAIN SINGLE 4 PIN	01542	HPMA-0486T15
U702	1826-2175	1	IC RF/IF AMPL SINGLE 4 PIN U-WAVE-PILL	01542	MSA-0386-TR1
U902	1826-1289	1	IC COMPARATOR LP QUAD 14 PIN DIP-P	03406	LP339N
U903	1820-4465	1	IC FF CMOS/HCT D-TYPE POS-EDGE-TRIG COM	02910	74HCT377N
U904	1820-4465	1	IC FF CMOS/HCT D-TYPE POS-EDGE-TRIG COM	02910	74HCT377N
U905	1826-2239	1	D/A 12-BIT 16-PLASTIC CMOS	03285	AD7542KN
U906	1826-1165	1	IC OP AMP GP DUAL 8 PIN DIP-C	03285	OP-14EZ
U907	1826-0635	1	IC OP AMP LOW-OFS 8 PIN DIP-P	10858	OP-07CN8
U908	LTB1858-0008KI	1		28480	LTB1858-0008KI
U909	1826-2171	1	IC OP AMP LOW-BIAS-H-IMPED QUAD 14 PIN	36633	MC33284D
VR601	1902-0951	1	DIODE-ZNR 5.1V 5% DO-35 PD=.4W TC=+.035%	36633	SZ30035-9RL
VR803	1902-0943	1	DIODE-ZNR 2.4V 5% DO-35 PD=.4W TC=-.037%	36633	SZ30035-1RL
VR804	1902-0943	1	DIODE-ZNR 2.4V 5% DO-35 PD=.4W TC=-.037%	36633	SZ30035-1RL
Y700	0410-4065	1	PRECISION BULK MODE-AT	01409	0410-4065
Z200	5021-6707	1	CABLE-RESONANT	28480	5021-6707
Z400	0955-0113	1	U-WAVE MIXER 1 GHZ MAX	02739	TFM-2-38
Z412	0955-0250	1	U-WAVE POWER SPLITTER 650 MHZ MAX	02739	PSC-2-1W
Z601	0955-0604	1	U-WAVE MIXER 1 GHZ MAX	02739	SAY-2-3
Z801	0410-2527	1	RESONATOR-CERAMIC 310.7 MHZ	10743	1GA1-8011
Z802	0410-2527	1	RESONATOR-CERAMIC 310.7 MHZ	10743	1GA1-8011

**Indicates factory-selected value*

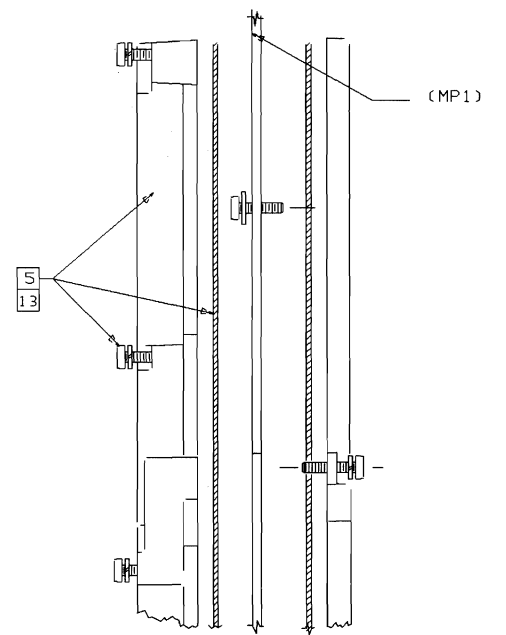
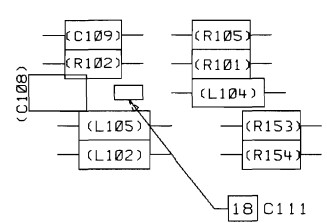
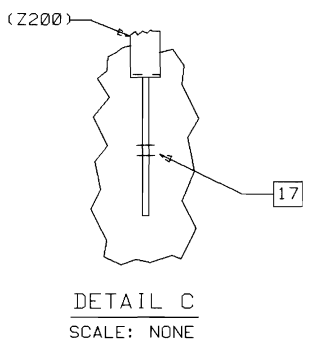
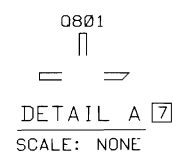
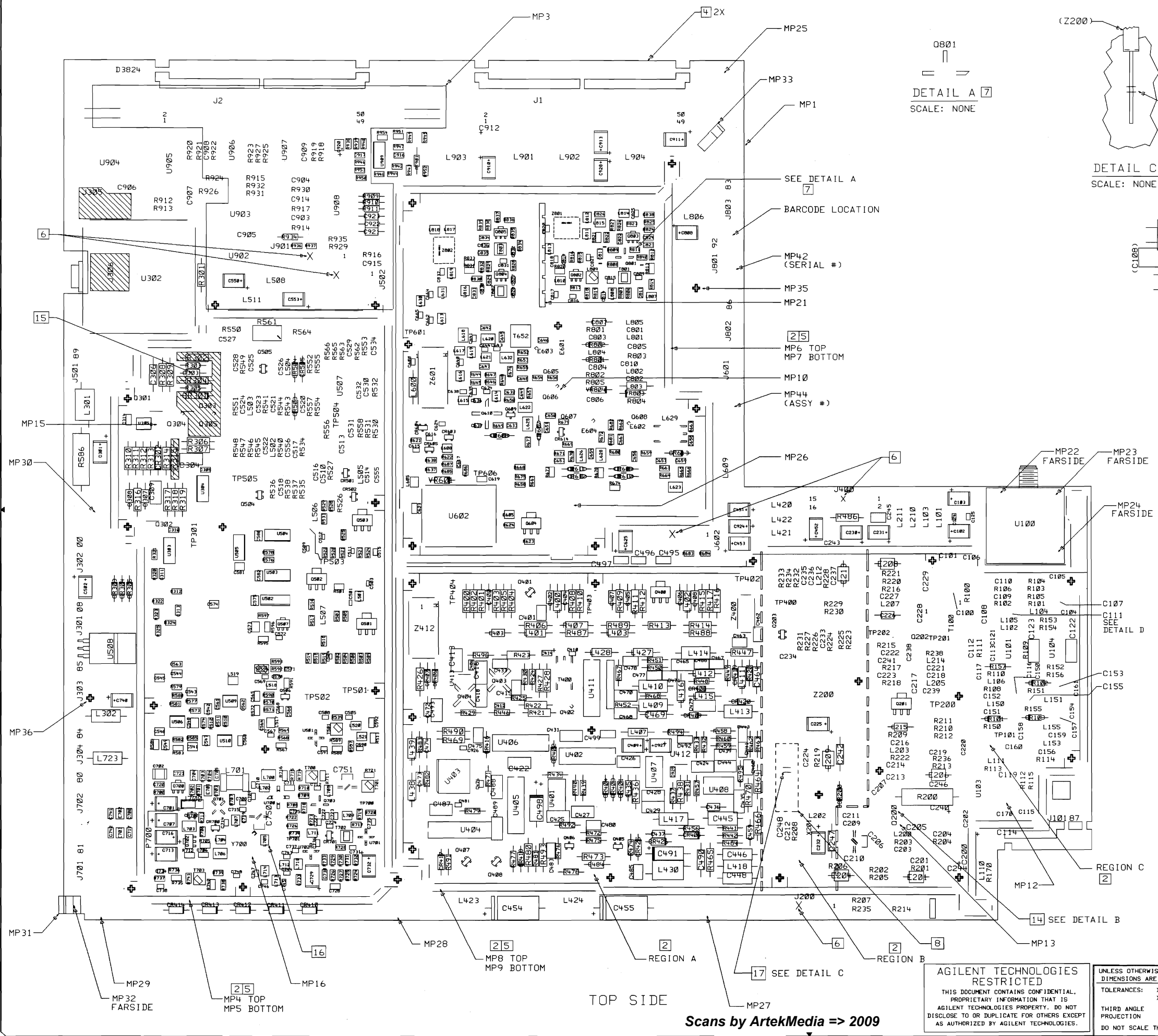
CLIP 08563-90200 33

Scans by ArtekMedia => 2009

HP Part Number 08563-60133
Radio Frequency (continued)

Reference Designator	HP Part Number	Qty	Description	Mfr Code	Mfr Part Number

5300		D-08563-60133-2	
SYM	REVISIONS	APPROVED	DATE
E	CHANGED PER PCO 53-13664 SL		
F	CHANGED PER ECO 53-14971 /LN		



- NOTES: UNLESS OTHERWISE SPECIFIED.
- ALL DIMENSIONS ARE IN INCHES.
 - MAXIMUM COMPONENT HEIGHT UNDER MP4 IS .385
* EXCEPT R561 = .430
MAXIMUM COMPONENT HEIGHT UNDER MP6 IS .385
* EXCEPT Z601 = .415
MAXIMUM COMPONENT HEIGHT UNDER MP8 IS AS FOLLOWS:
REGION A = .385
* EXCEPT FOR Z412 = .415
REGION B = .306
REGION C = .345
* EXCEPT FOR Q200, C240, C210 = .385
(C210 TUNING SCREW PROTRUDES THROUGH SHIELD)
MAXIMUM HEIGHT OF J2 = .375
 - MAXIMUM LEAD TRIM LENGTH .118
 - REMOVE BREAKOFF TABS AFTER MACHINE SOLDER.
 - SCREWS FOR SHIELD AND SPIRO-GASKETS, ARE ON MATERIAL LIST FOR SHIELDS. MAKE SURE ALL PARTS ARE INTACT.
 - ASSURE THAT PIN #9 HAS BEEN REMOVED FROM J200, J400, J502, J602 AND J901.
 - CLIP LEAD ON Q801 AS SHOWN IN DETAIL A.
 - HOLES (EXCEPT WHERE Z200 IS SOLDERED) ARE TO BE FREE OF SOLDER.
 - THE OUTER CONDUCTOR OF Z200 MUST BE SOLDERED TO THE BOARD AT EACH END AND IN THE CENTER. THE ENDS OF THE CABLE MUST BE FLUSH ON THE BOARD AND THE CENTER OF THE CABLE MUST BE A MAXIMUM OF .020 OFF THE BOARD.
 - SHIELD MATING SURFACES AND MOUNTING HOLES MUST BE FREE OF EXCESSIVE SOLDER.
 - USE RAW BOARD 08563-20132.
 - HATCHED COMPONENTS ARE NOT LOADED FOR THIS ASSEMBLY.
 - SHIELD ASSEMBLY WILL BE DONE BY INSTRUMENT ASSEMBLY.
 - SEE SHEET 2 OF ASSEMBLY FOR DETAIL B, ON LOADING OF C208.
 - LOAD R300 IN PLACE OF C303.
 - LOAD L705 WITH THE FOLLOWING ALTERNATE PARTS AT THE LINE TECHNICIANS DISCRETION. 9140-1103 .68UH OR 9140-1101 .47UH
 - SOLDER MP45 INTO HOLE UNDER LEAD OF Z200 AND WRAP MP45 AROUND AND SOLDER TO Z200 LEAD.
 - SOLDER C111 TO PADS AS SHOWN ON DETAIL D.

SEE MATERIAL LIST 08563-60133

AGILENT TECHNOLOGIES
RESTRICTED
THIS DOCUMENT CONTAINS CONFIDENTIAL,
PROPRIETARY INFORMATION THAT IS
AGILENT TECHNOLOGIES PROPERTY. DO NOT
DISCLOSE TO OR DUPLICATE FOR OTHERS EXCEPT
AS AUTHORIZED BY AGILENT TECHNOLOGIES.

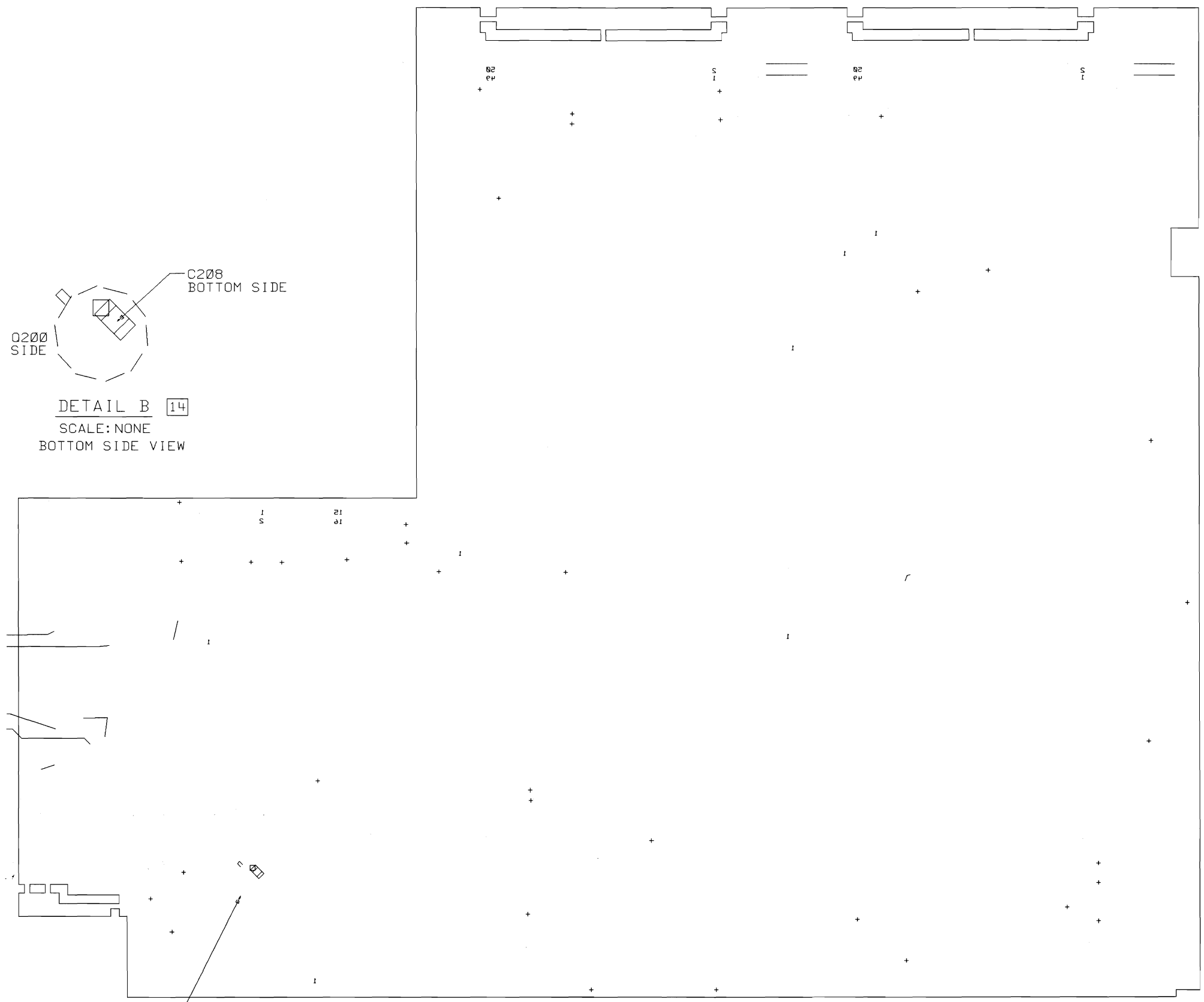
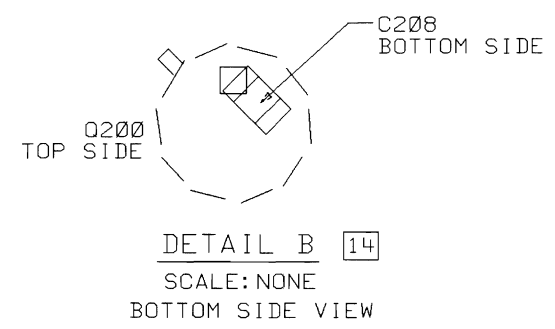
UNLESS OTHERWISE SPECIFIED,
DIMENSIONS ARE IN INCHES.
TOLERANCES: XX.XXX ±.010
 XX.XX ±.02
THIRD ANGLE
PROJECTION

DRAWN BY	DATE
ENGINEER/CHECKER	DATE
RELEASE TO PROD.	DATE
SUPERSEDES DWG.	

ASSEMBLY, PWB
RADIO FREQUENCY
BOARD

act133 FILENAME	Agilent Technologies
SCALE	NONE
SHEET 1 OF 2	08563-60133 PART NUMBER
TITLE	D-08563-60133-2

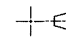
5300		D-08563-60133-2	
SYM	REVISIONS	APPROVED	DATE
E	CHANGED PER PC 53-13664 SL		
F	CHANGED PER ECO 53-14971 /LN		



SEE DETAIL B
14


BOTTOM SIDE

**AGILENT TECHNOLOGIES
RESTRICTED**
THIS DOCUMENT CONTAINS CONFIDENTIAL,
PROPRIETARY INFORMATION THAT IS
AGILENT TECHNOLOGIES PROPERTY. DO NOT
DISCLOSE TO OR DUPLICATE FOR OTHERS EXCEPT
AS AUTHORIZED BY AGILENT TECHNOLOGIES.

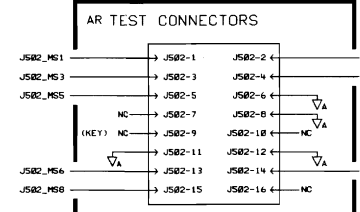
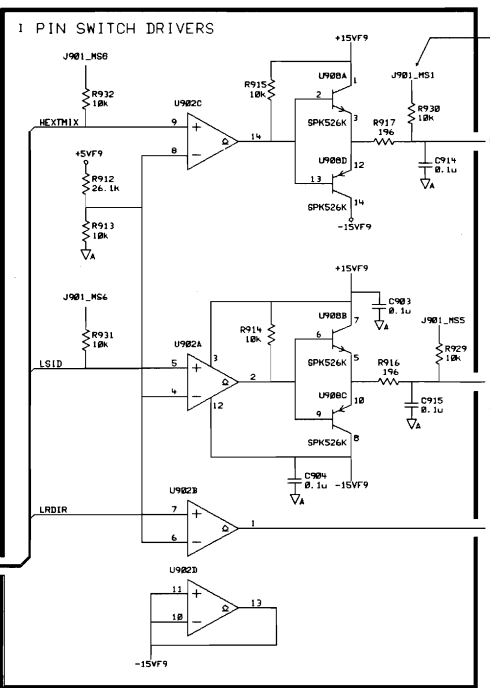
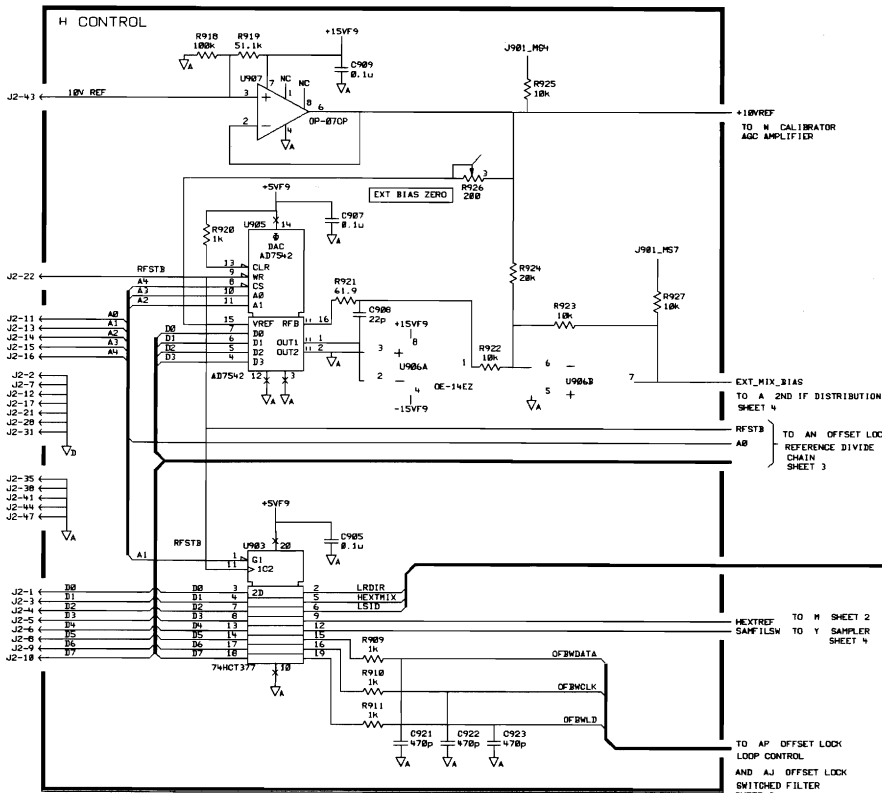
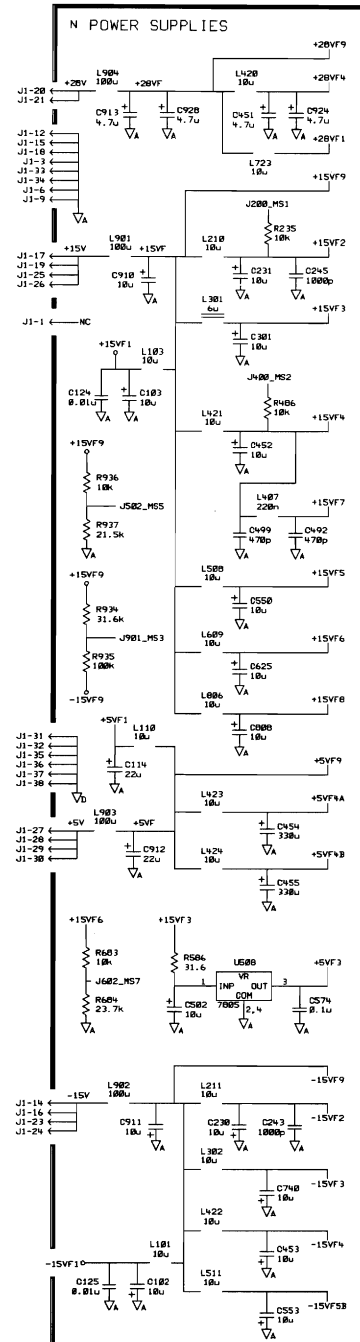
UNLESS OTHERWISE SPECIFIED,
DIMENSIONS ARE IN INCHES.
TOLERANCES: XX.XXX ±.010
 XX.XX ±.02
THIRD ANGLE
PROJECTION 
DO NOT SCALE THIS DRAWING

DRAWN BY	DATE
ENGINEER/CHECKER	DATE
RELEASE TO PROD.	DATE
SUPERSEDES DWG.	

ASSEMBLY, PWB
RADIO FREQUENCY
BOARD

06act133 FILENAME	
SCALE NONE	
SHEET 2 OF 2	08563-60133 PART NUMBER
D-08563-60133-2	

TITLE



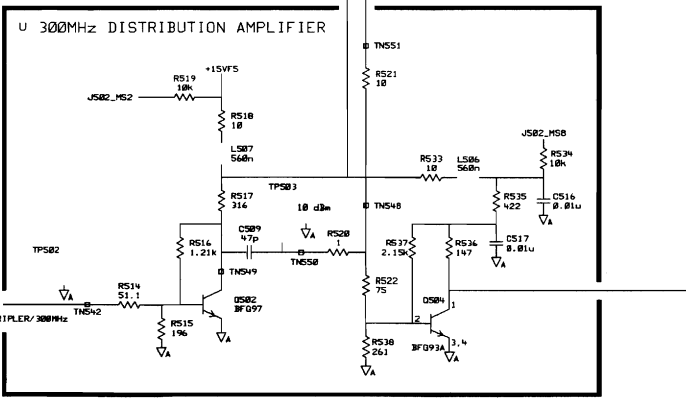
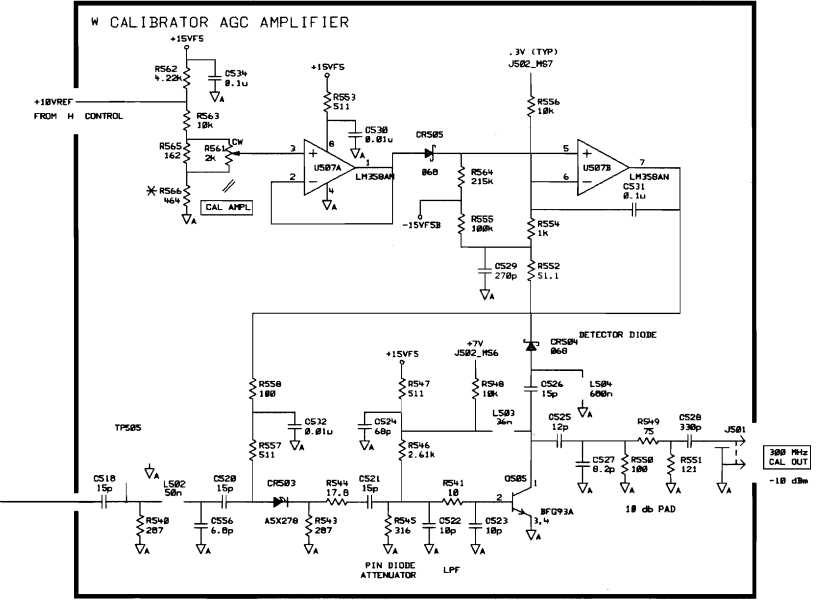
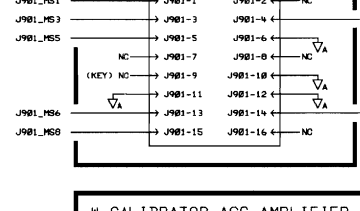
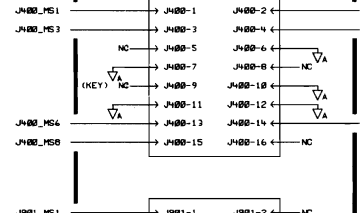
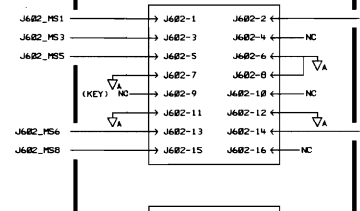
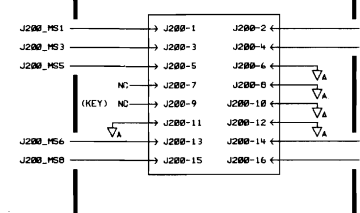
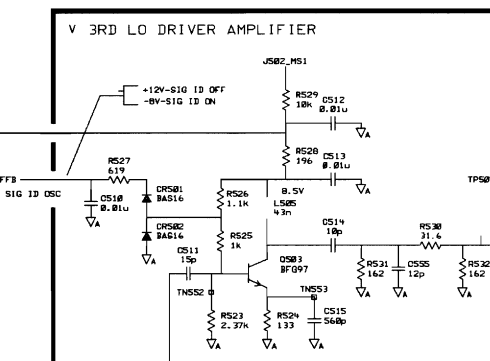
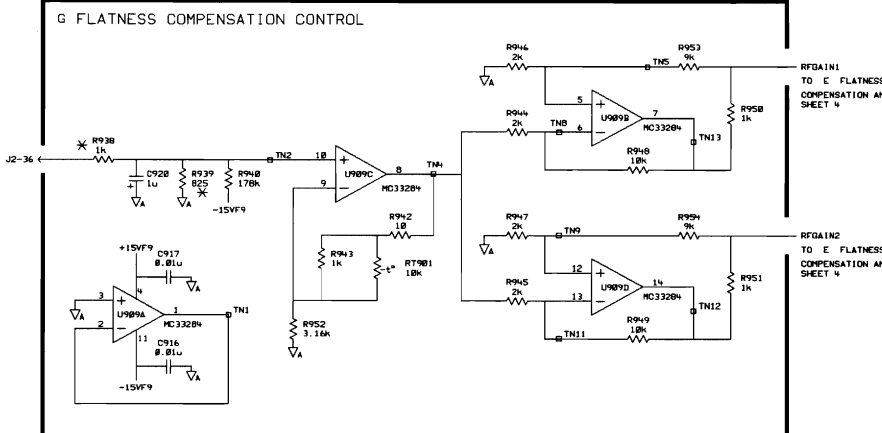
PIN	SIGNAL	TO/FROM	FUNCTION SHFT/BLOCK
1	MS1	TO	SHFT
2	MS2	TO	SHFT
3	MS3	TO	SHFT
4	MS4	TO	SHFT
5	MS5	TO	SHFT
6	MS6	TO	SHFT
7	MS7	TO	SHFT
8	MS8	TO	SHFT
9	NC	TO	SHFT
10	NC	TO	SHFT
11	MS1	TO	SHFT
12	MS2	TO	SHFT
13	MS3	TO	SHFT
14	MS4	TO	SHFT
15	MS5	TO	SHFT
16	MS6	TO	SHFT

PIN	SIGNAL	TO/FROM	FUNCTION SHFT/BLOCK
1	MS1	TO	SHFT
2	MS2	TO	SHFT
3	MS3	TO	SHFT
4	MS4	TO	SHFT
5	MS5	TO	SHFT
6	MS6	TO	SHFT
7	MS7	TO	SHFT
8	MS8	TO	SHFT
9	NC	TO	SHFT
10	NC	TO	SHFT
11	MS1	TO	SHFT
12	MS2	TO	SHFT
13	MS3	TO	SHFT
14	MS4	TO	SHFT
15	MS5	TO	SHFT
16	MS6	TO	SHFT

PIN	SIGNAL	TO/FROM	FUNCTION SHFT/BLOCK
1	MS1	TO	SHFT
2	MS2	TO	SHFT
3	MS3	TO	SHFT
4	MS4	TO	SHFT
5	MS5	TO	SHFT
6	MS6	TO	SHFT
7	MS7	TO	SHFT
8	MS8	TO	SHFT
9	NC	TO	SHFT
10	NC	TO	SHFT
11	MS1	TO	SHFT
12	MS2	TO	SHFT
13	MS3	TO	SHFT
14	MS4	TO	SHFT
15	MS5	TO	SHFT
16	MS6	TO	SHFT

PIN	SIGNAL	TO/FROM	FUNCTION SHFT/BLOCK
1	MS1	TO	SHFT
2	MS2	TO	SHFT
3	MS3	TO	SHFT
4	MS4	TO	SHFT
5	MS5	TO	SHFT
6	MS6	TO	SHFT
7	MS7	TO	SHFT
8	MS8	TO	SHFT
9	NC	TO	SHFT
10	NC	TO	SHFT
11	MS1	TO	SHFT
12	MS2	TO	SHFT
13	MS3	TO	SHFT
14	MS4	TO	SHFT
15	MS5	TO	SHFT
16	MS6	TO	SHFT

PIN	SIGNAL	TO/FROM	FUNCTION SHFT/BLOCK
1	MS1	TO	SHFT
2	MS2	TO	SHFT
3	MS3	TO	SHFT
4	MS4	TO	SHFT
5	MS5	TO	SHFT
6	MS6	TO	SHFT
7	MS7	TO	SHFT
8	MS8	TO	SHFT
9	NC	TO	SHFT
10	NC	TO	SHFT
11	MS1	TO	SHFT
12	MS2	TO	SHFT
13	MS3	TO	SHFT
14	MS4	TO	SHFT
15	MS5	TO	SHFT
16	MS6	TO	SHFT



NOTES: UNLESS OTHERWISE SPECIFIED
 1. HATCHED COMPONENTS ARE NOT LOADED FOR THIS ASSEMBLY.
 2. RAW BD = 08563-20132
 3. * COMPONENTS ARE FACTORY SELECT

PART NUMBER	VALUE
0699-1437	825
0699-1438	909
0699-1318	1.100K
0699-1369	1.10K
0699-1370	1.21K
0699-1371	1.33K
0699-1372	1.47K
0699-1904	1.62K
0699-1374	1.78K
0699-1375	1.96K

PART NUMBER	VALUE
0699-1423	215
0699-1424	237
0699-1425	261
0699-1426	287
0699-1427	316
0699-1428	348
0699-1429	383
0699-1430	422
0699-1431	464
0699-1432	511
0699-1433	562
0699-1434	619
0699-1435	681
0699-1436	750
0699-1437	825

PART NUMBER	VALUE
0160-4383	6.8 pF
0160-4385	15 pF
0160-3875	22 pF
0160-4493	27 pF
0160-4386	33 pF
0160-4494	39 pF
0160-4387	47 pF

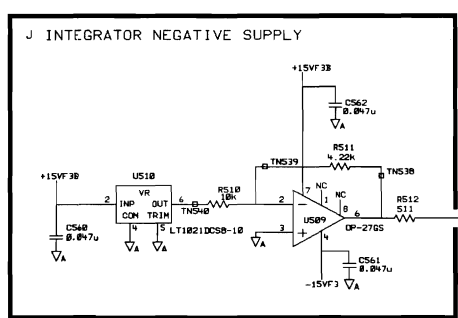
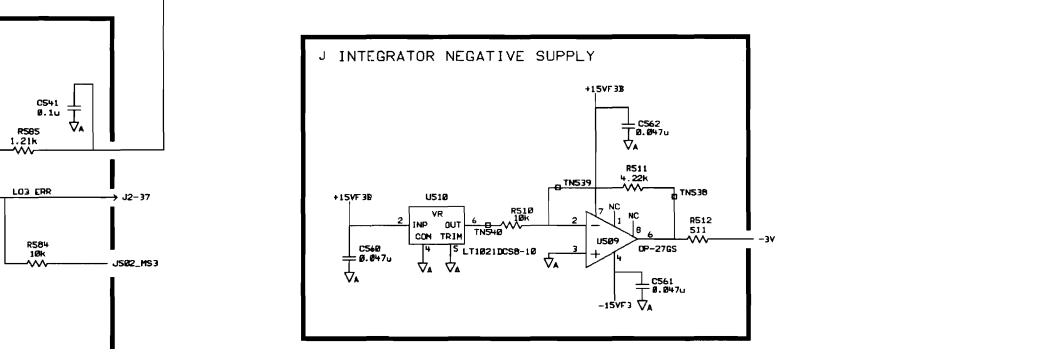
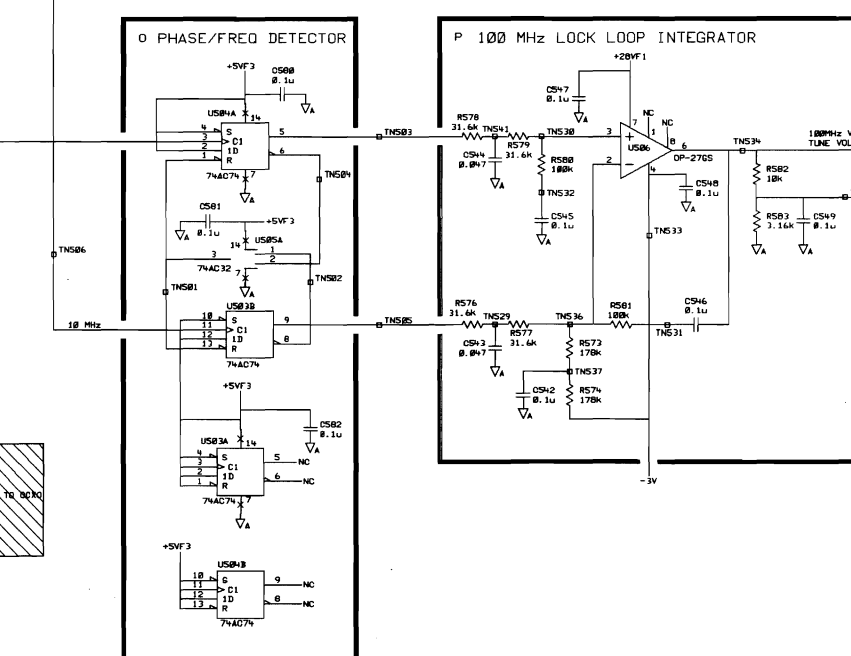
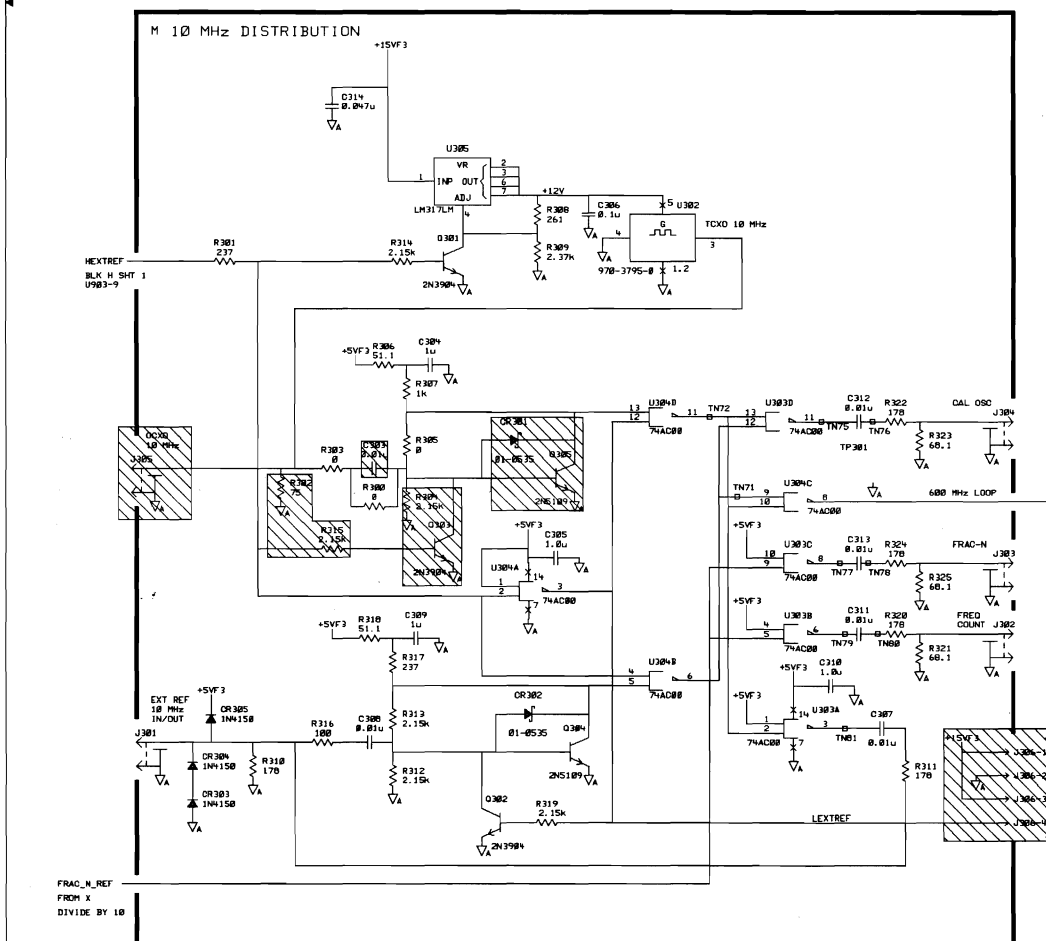
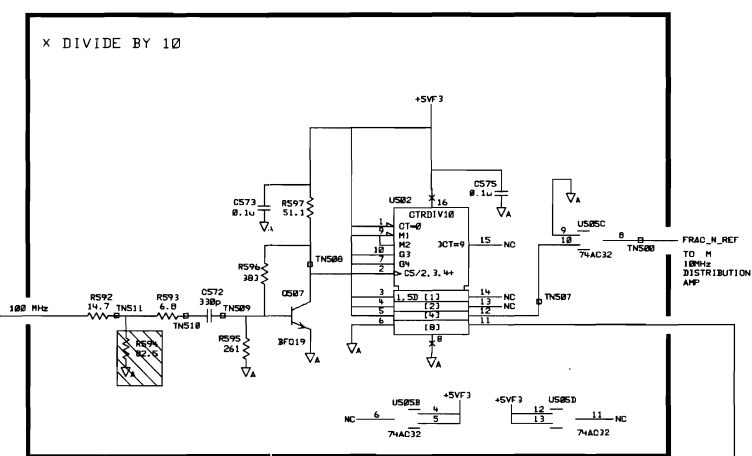
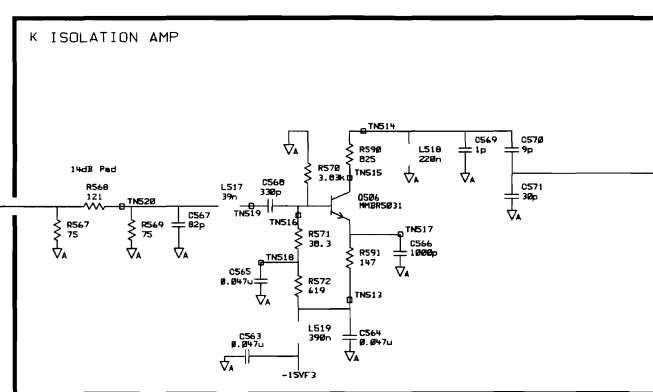
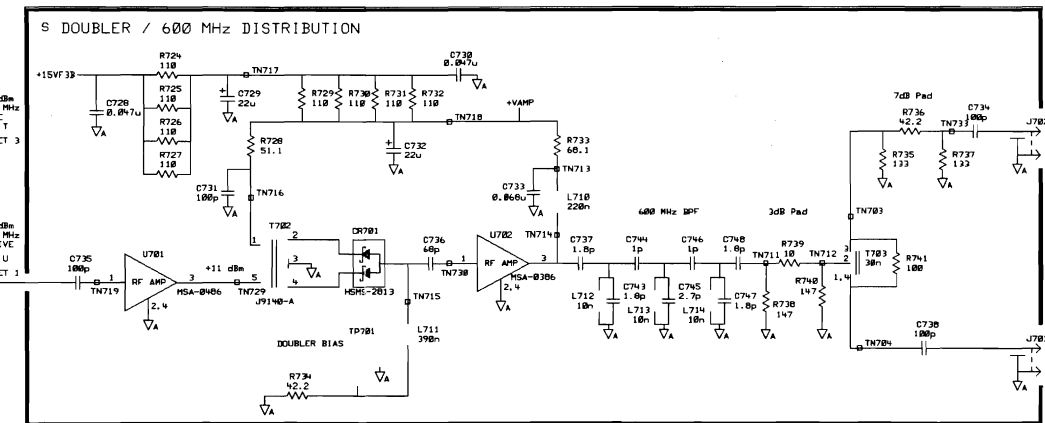
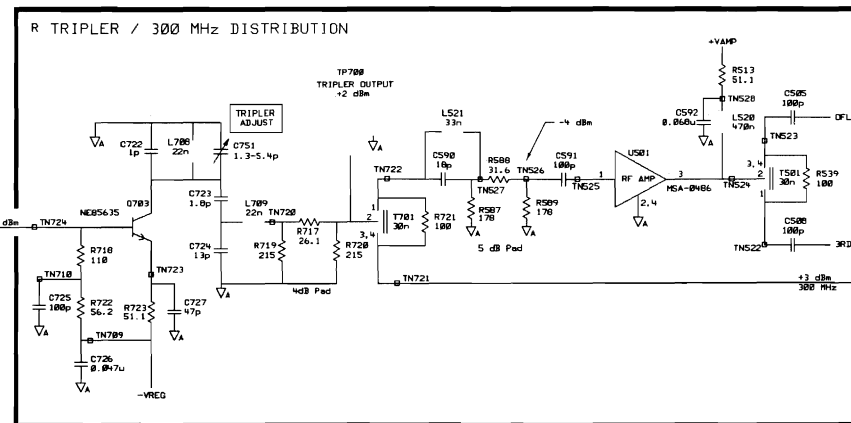
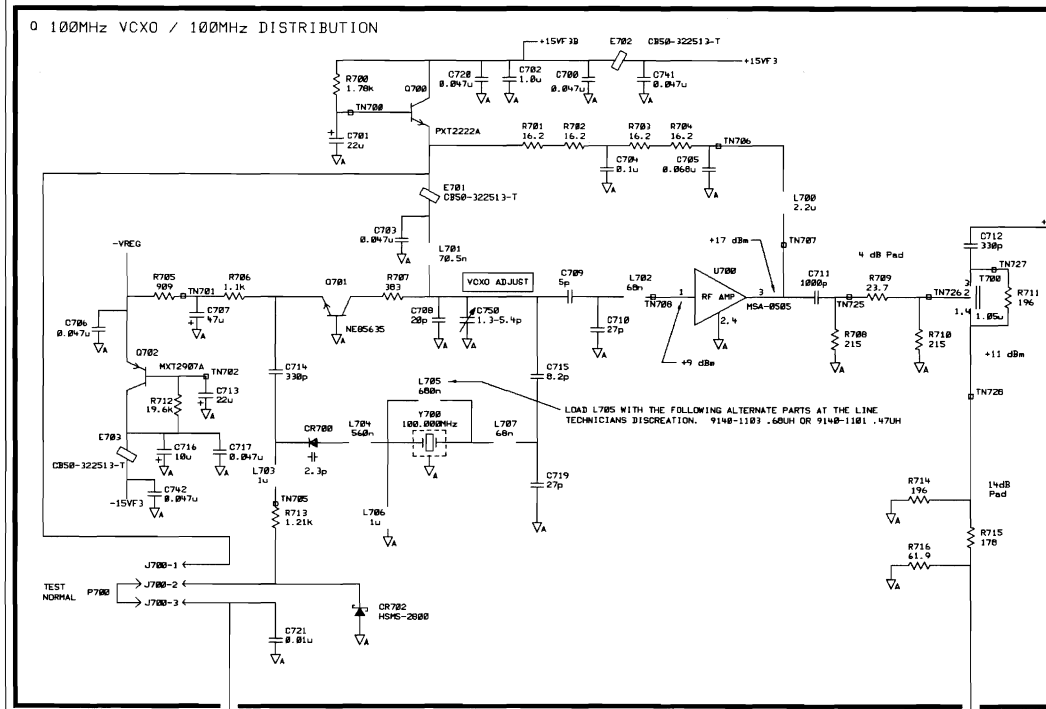
PART NUMBER	VALUE
0698-6355	400
0698-3447	422
0698-3488	442
0698-0082	464
0699-3450	487
0698-6317	500
0757-0416	511

J1	J2						
PIN	SIGNAL	TO/FROM	FUNCTION SHFT/BLOCK	PIN	SIGNAL	TO/FROM	FUNCTION SHFT/BLOCK
1	NC	TO	SHFT	1	MS	TO	SHFT
2	NC	TO	SHFT	2	MS2	TO	SHFT
3	AGND	IN	NOT USED	3	MS3	TO	SHFT
4	NC	TO	SHFT	4	MS4	TO	SHFT
5	NC	TO	SHFT	5	MS5	TO	SHFT
6	AGND	IN	NOT USED	6	MS6	TO	SHFT
7	MS1	TO	SHFT	7	MS7	TO	SHFT
8	NC	TO	SHFT	8	MS8	TO	SHFT
9	MS2	TO	SHFT	9	NC	TO	SHFT
10	NC	TO	SHFT	10	NC	TO	SHFT
11	MS3	TO	SHFT	11	MS1	TO	SHFT
12	AGND	IN	NOT USED	12	MS2	TO	SHFT
13	MS4	TO	SHFT	13	MS3	TO	SHFT
14	MS5	TO	SHFT	14	MS4	TO	SHFT
15	AGND	IN	NOT USED	15	MS5	TO	SHFT
16	MS6	TO	SHFT	16	MS6	TO	SHFT
17	MS7	TO	SHFT	17	MS7	TO	SHFT
18	AGND	IN	NOT USED	18	MS8	TO	SHFT
19	MS8	TO	SHFT	19	NC	TO	SHFT
20	NC	TO	SHFT	20	NC	TO	SHFT
21	MS1	TO	SHFT	21	MS1	TO	SHFT
22	MS2	TO	SHFT	22	MS2	TO	SHFT
23	MS3	TO	SHFT	23	MS3	TO	SHFT
24	MS4	TO	SHFT	24	MS4	TO	SHFT
25	MS5	TO	SHFT	25	MS5	TO	SHFT
26	MS6	TO	SHFT	26	MS6	TO	SHFT
27	MS7	TO	SHFT	27	MS7	TO	SHFT
28	MS8	TO	SHFT	28	MS8	TO	SHFT
29	NC	TO	SHFT	29	NC	TO	SHFT
30	NC	TO	SHFT	30	NC	TO	SHFT
31	NC	TO	SHFT	31	NC	TO	SHFT
32	NC	TO	SHFT	32	NC	TO	SHFT
33	AGND	IN	NOT USED	33	MS1	TO	SHFT
34	AGND	IN	NOT USED	34	MS2	TO	SHFT
35	AGND	IN	NOT USED	35	MS3	TO	SHFT
36	AGND	IN	NOT USED	36	MS4	TO	SHFT
37	AGND	IN	NOT USED	37	MS5	TO	SHFT
38	AGND	IN	NOT USED	38	MS6	TO	SHFT
39	AGND	IN	NOT USED	39	MS7	TO	SHFT
40	AGND	IN	NOT USED	40	MS8	TO	SHFT
41	AGND	IN	NOT USED	41	NC	TO	SHFT
42	AGND	IN	NOT USED	42	NC	TO	SHFT
43	AGND	IN	NOT USED	43	NC	TO	SHFT
44	AGND	IN	NOT USED	44	NC	TO	SHFT
45	AGND	IN	NOT USED	45	NC	TO	SHFT
46	AGND	IN	NOT USED	46	NC	TO	SHFT
47	AGND	IN	NOT USED	47	NC	TO	SHFT
48	AGND	IN	NOT USED	48	NC	TO	SHFT
49	AGND	IN	NOT USED	49	NC	TO	SHFT
50	AGND	IN	NOT USED	50	NC	TO	SHFT

AGILENT TECHNOLOGIES RESTRICTED
 THIS DOCUMENT CONTAINS CONFIDENTIAL, PROPRIETARY INFORMATION THAT IS ABLENT TECHNOLOGIES' PROPERTY. DO NOT DISCLOSE TO OR DUPLICATE FOR OTHERS EXCEPT AS AUTHORIZED BY AGILENT TECHNOLOGIES.

DRAWN BY: _____ DATE: _____
 ENGINEER/CHECKER: _____ DATE: _____
 RELEASE TO PROD.: _____ DATE: _____
 SUPERSEDES DWG. _____

SCHMATIC, PWA RADIO FREQUENCY BOARD
 FILENAME: slect133
 SCALE: NONE
 SHEET 1 OF 4
 PART NUMBER: 08563-60133
 DATE: 06-12-00



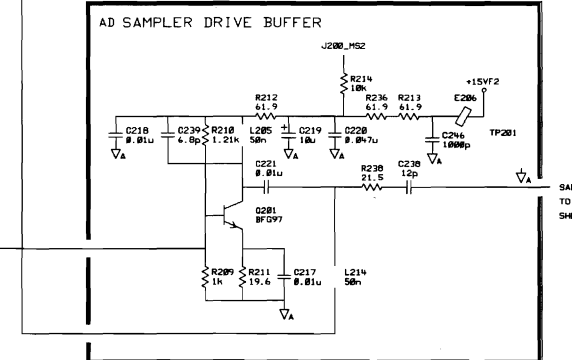
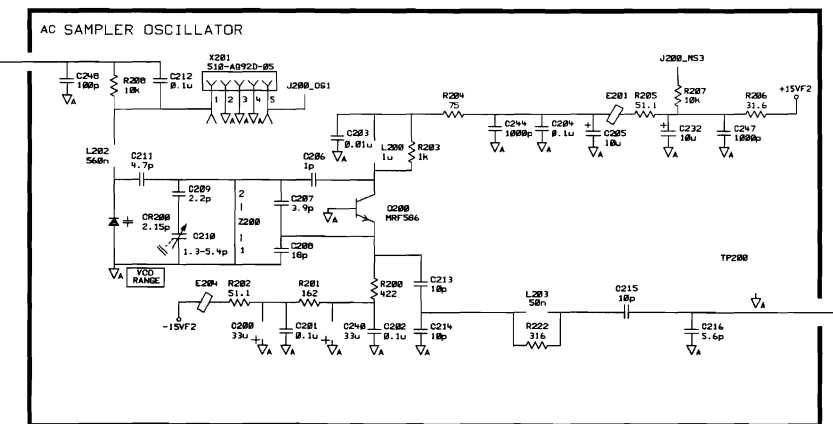
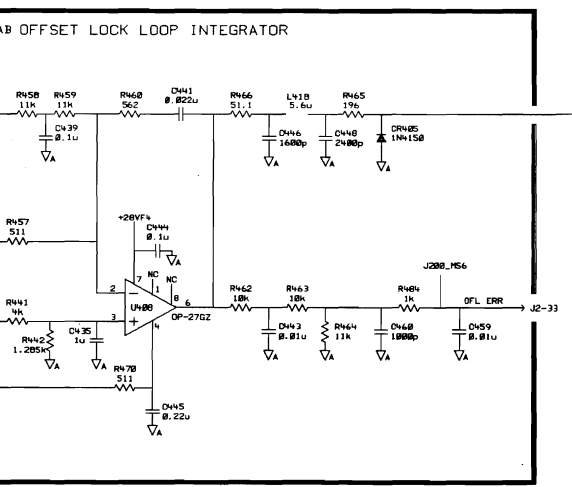
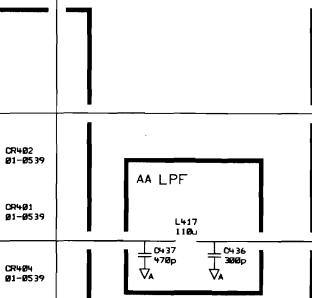
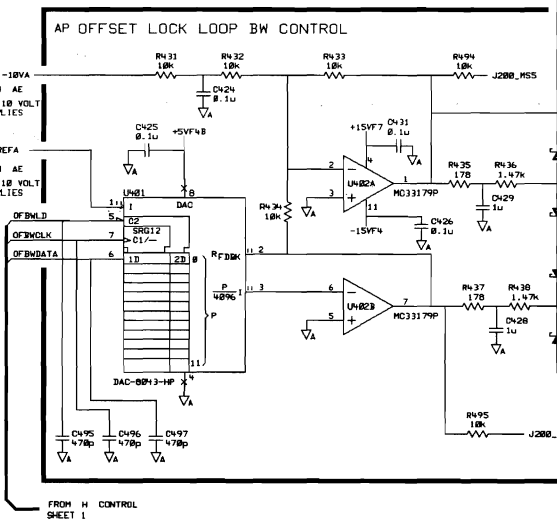
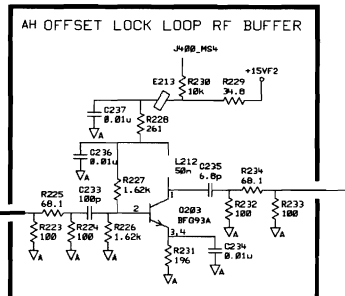
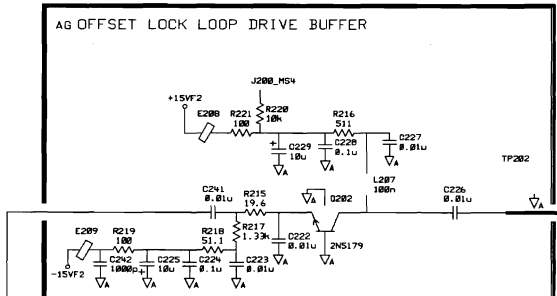
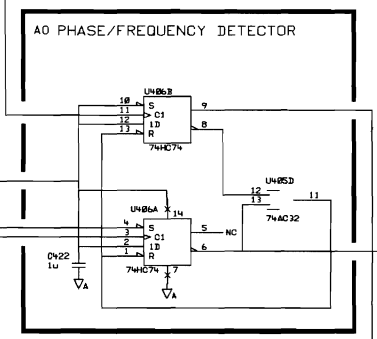
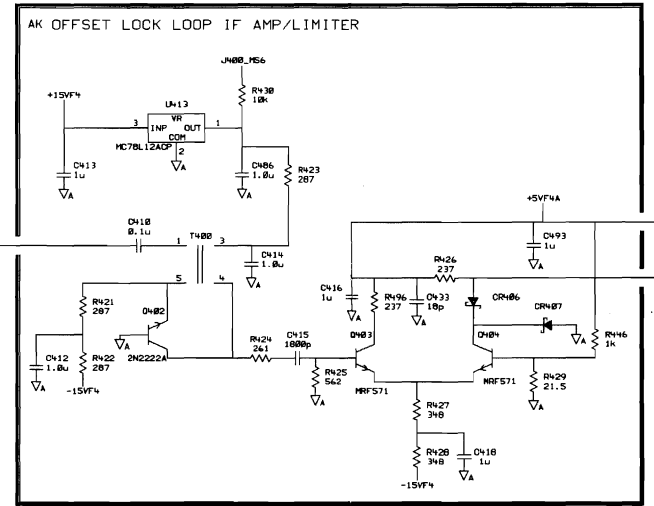
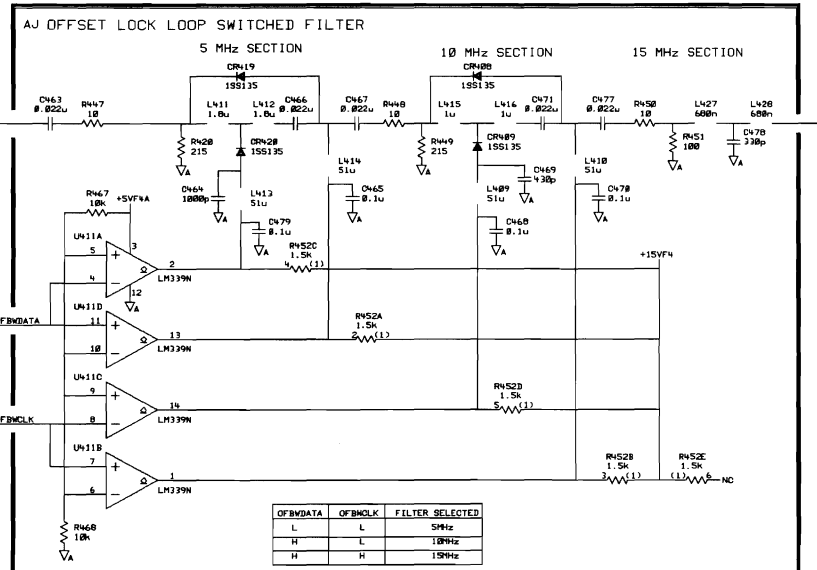
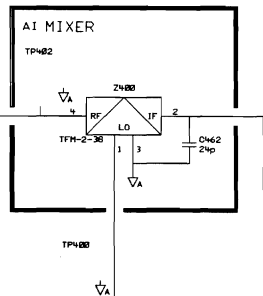
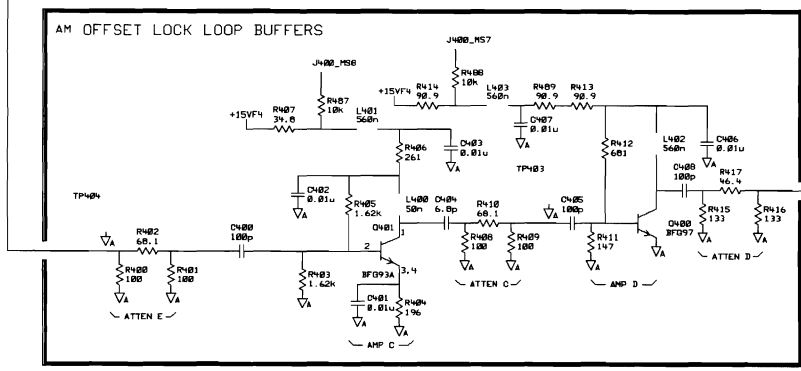
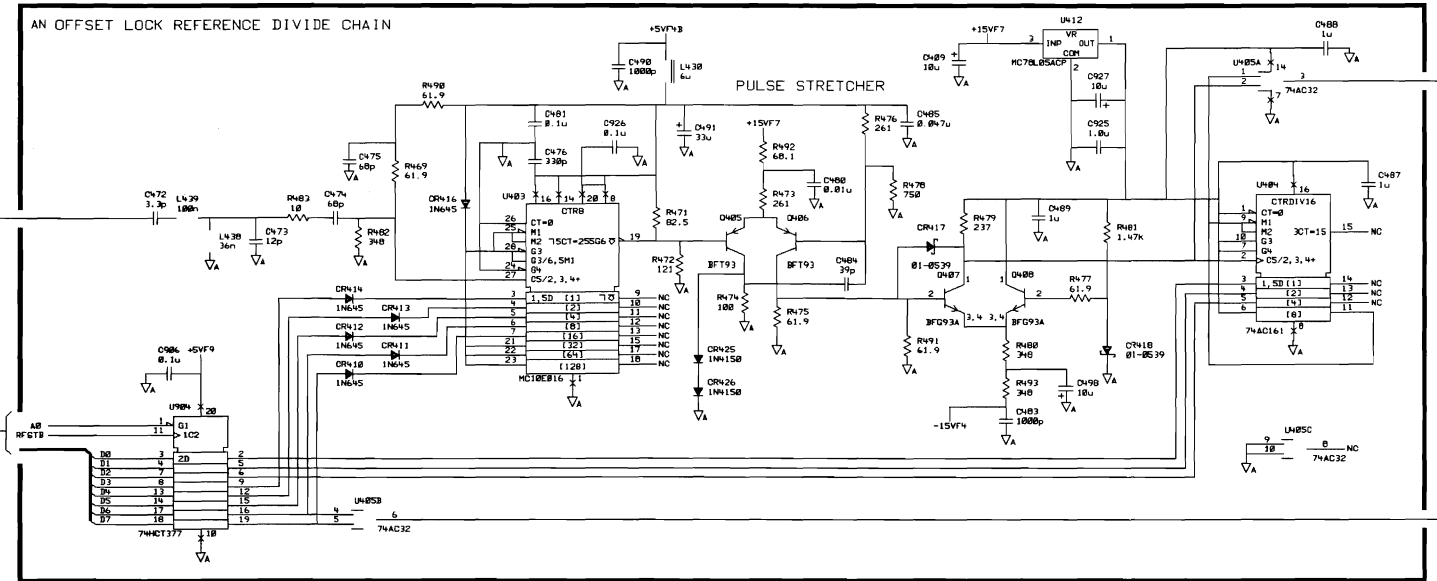
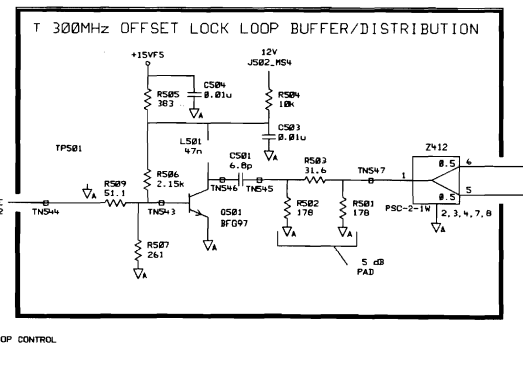
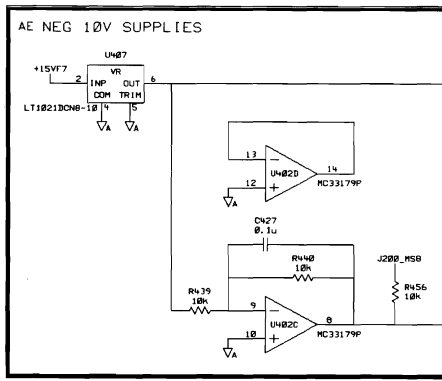
NOTE: HATCHED COMPONENTS ARE NOT LOADED FOR THIS ASSEMBLY.

AGILENT TECHNOLOGIES
RESTRICTED
THIS DOCUMENT CONTAINS CONFIDENTIAL,
PROPRIETARY INFORMATION THAT IS
AGILENT TECHNOLOGIES PROPERTY. DO NOT
DISCLOSE TO OR DUPLICATE FOR OTHERS EXCEPT
AS AUTHORIZED BY AGILENT TECHNOLOGIES.

DRAWN BY	DATE
ENGINEER/CHECKER	DATE
RELEASE TO PROD.	DATE
SUPERSEDES DWG.	

SCHEMATIC, PWA
RADIO FREQUENCY
BOARD

s2act133	Agilent Technologies
FILENAME	NONE
SCALE	2 OF 4
SHEET	08563-60133
PART NUMBER	B-08563-60133-1



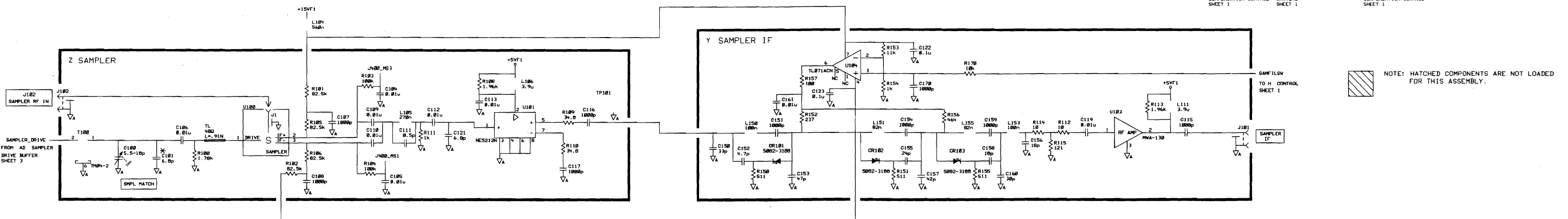
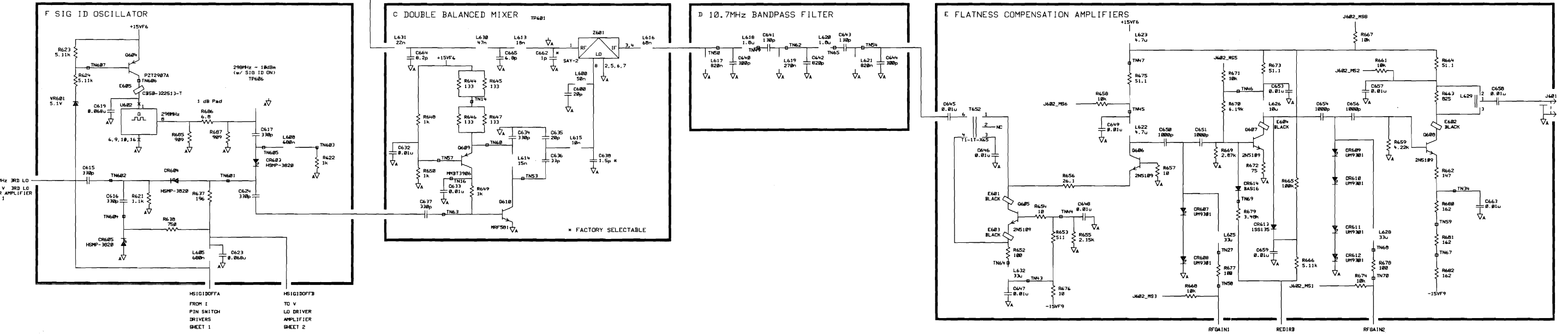
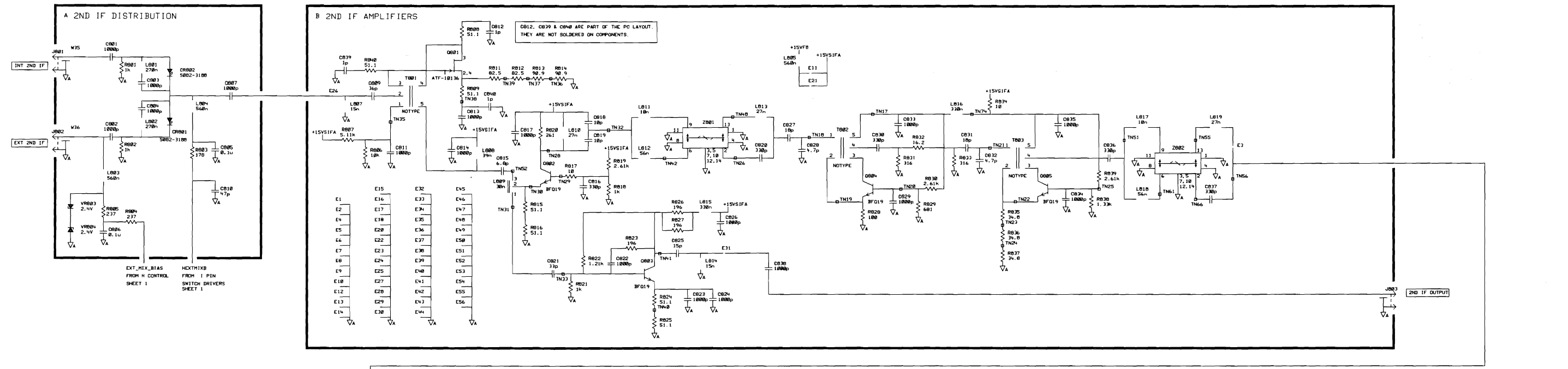
NOTE: HATCHED COMPONENTS ARE NOT LOADED FOR THIS ASSEMBLY.

AGILENT TECHNOLOGIES RESTRICTED
 THIS DOCUMENT CONTAINS CONFIDENTIAL, PROPRIETARY INFORMATION THAT IS AGILENT TECHNOLOGIES PROPERTY. DO NOT DISCLOSE TO OR DUPLICATE FOR OTHERS EXCEPT AS AUTHORIZED BY AGILENT TECHNOLOGIES.

DRAWN BY DATE
 ENGINEER/CHECKER DATE
 RELEASE TO PROD. DATE
 SUPERSEDES DWG.

SCHEMATIC, PWA RADIO FREQUENCY BOARD
 TITLE

s3act133 FILENAME
 SCALE NONE
 SHEET 3 of 4
 08563-60133 PART NUMBER
 B-08563-60133-1



Component-Level Information Packet for 08563-60134

Radio Frequency



**HP Part No. 08563-60134
Printed in USA May 2000**

Notice. The information contained in this document is subject to change without notice.

Hewlett-Packard makes no warranty of any kind with regard to this material, including, but not limited to, the implied warranties of merchantability and fitness for a particular purpose. Hewlett-Packard shall not be liable for errors contained herein or for incidental or consequential damages in connection with the furnishing, performance, or use of this material.

HP Part Number 08563-60134
Radio Frequency

Reference Designator	HP Part Number	Qty	Description	Mfr Code	Mfr Part Number
C100	0121-0061	1	CAP-VAR 18pF 5.5pF 350 V CER	09538	538-016 A 5.5-18
C101	0160-4383	1	CAP-FXD 6.8pF +-7.35% 200 V CER C0G	06352	FD12C0G2D6R8D
C102	0180-4287	1	CAP-FXD 10uF +-20% 35 V TA	02010	TAJD106M035
C103	0180-4287	1	CAP-FXD 10uF +-20% 35 V TA	02010	TAJD106M035
C104	0160-3879	1	CAP-FXD 0.01uF +-20% 100 V CER X7R	06352	FD12X7R2A103M
C105	0160-3879	1	CAP-FXD 0.01uF +-20% 100 V CER X7R	06352	FD12X7R2A103M
C106	0160-3879	1	CAP-FXD 0.01uF +-20% 100 V CER X7R	06352	FD12X7R2A103M
C107	0160-4040	1	CAP-FXD 1000pF +-5% 100 V CER C0G	06352	FD12C0G2A102J
C108	0160-4040	1	CAP-FXD 1000pF +-5% 100 V CER C0G	06352	FD12C0G2A102J
C109	0160-4832	1	CAP-FXD 0.01uF +-10% 100 V CER X7R	02010	SA101C103KAAH
C110	0160-4832	1	CAP-FXD 0.01uF +-10% 100 V CER X7R	02010	SA101C103KAAH
C111	0160-4399	1	CAP-FXD 0.66pF +-50% 50 V CER C0G	06352	FD12C0G1HR66C
C112	0160-4832	1	CAP-FXD 0.01uF +-10% 100 V CER X7R	02010	SA101C103KAAH
C113	0160-3879	1	CAP-FXD 0.01uF +-20% 100 V CER X7R	06352	FD12X7R2A103M
C114	0180-3632	1	CAP-FXD 22uF +-20% 50 V AL-ELCTLT	06360	KMC50VB22RM6X11RPX
C115	0160-4040	1	CAP-FXD 1000pF +-5% 100 V CER C0G	06352	FD12C0G2A102J
C116	0160-4040	1	CAP-FXD 1000pF +-5% 100 V CER C0G	06352	FD12C0G2A102J
C117	0160-4040	1	CAP-FXD 1000pF +-5% 100 V CER C0G	06352	FD12C0G2A102J
C119	0160-3879	1	CAP-FXD 0.01uF +-20% 100 V CER X7R	06352	FD12X7R2A103M
C121	0160-4383	1	CAP-FXD 6.8pF +-7.35% 200 V CER C0G	06352	FD12C0G2D6R8D
C122	0160-4084	1	CAP-FXD 0.1uF +-20% 50 V CER X7R	02010	SR215C104MAAH
C123	0160-4084	1	CAP-FXD 0.1uF +-20% 50 V CER X7R	02010	SR215C104MAAH
C124	0160-5945	1	CAP-FXD 0.01uF +-10% 50 V CER X7R	02010	08055C103KAT A
C125	0160-5945	1	CAP-FXD 0.01uF +-10% 50 V CER X7R	02010	08055C103KAT A
C150	0160-4386	1	CAP-FXD 33pF +-5% 200 V CER C0G	06352	FD12COG2D330J
C151	0160-4574	1	CAP-FXD 1000pF +-10% 100 V CER X7R	02010	SA101C102KAAH
C152	0160-4795	1	CAP-FXD 4.7pF +-10.64% 100 V CER C0G	02010	SA102A4R7DAAH
C153	0160-4387	1	CAP-FXD 47pF +-5% 200 V CER C0G	06352	FD12C0G2D470J
C154	0160-4040	1	CAP-FXD 1000pF +-5% 100 V CER C0G	06352	FD12C0G2A102J
C155	0160-4524	1	CAP-FXD 24pF +-5% 200 V CER C0G	06352	FD12C0G2D240J
C156	0160-4788	1	CAP-FXD 18pF +-5% 100 V CER C0G	02010	SA101A180JAA
C157	0160-4526	1	CAP-FXD 42pF +-5% 200 V CER C0G	06352	FD12C0G2D426J
C158	0160-4492	1	CAP-FXD 18pF +-5% 200 V CER C0G	06352	FD12C0G2D180J
C159	0160-4040	1	CAP-FXD 1000pF +-5% 100 V CER C0G	06352	FD12C0G2A102J
C160	0160-4766	1	CAP-FXD 30pF +-5% 200 V CER C0G	06352	FD12C0G2D300J

**Indicates factory-selected value*

CLIP 08563-60134 1

Scans by ArtekMedia => 2009

**HP Part Number 08563-60134
Radio Frequency (continued)**

Reference Designator	HP Part Number	Qty	Description	Mfr Code	Mfr Part Number
C161	0160-3879	1	CAP-FXD 0.01uF +-20% 100 V CER X7R	06352	FD12X7R2A103M
C170	0160-4040	1	CAP-FXD 1000pF +-5% 100 V CER C0G	06352	FD12C0G2A102J
C200	0180-3838	1	CAP-FXD 33uF +-20% 25 V AL-ELCTLT	06360	SRG25VB33RM5X7RPX
C201	0160-4835	1	CAP-FXD 0.1uF +-10% 50 V CER X7R	02010	SA105C104KAAH
C202	0160-4084	1	CAP-FXD 0.1uF +-20% 50 V CER X7R	02010	SR215C104MAAH
C203	0160-4832	1	CAP-FXD 0.01uF +-10% 100 V CER X7R	02010	SA101C103KAAH
C204	0160-4835	1	CAP-FXD 0.1uF +-10% 50 V CER X7R	02010	SA105C104KAAH
C205	0180-4003	1	CAP-FXD 10uF +-10% 25 V TA	12340	T398E106K025AS
C206	0160-4380	1	CAP-FXD 1pF +-25% 200 V CER C0G	06352	FD11C0G2D010C
C207	0160-4796	1	CAP-FXD 3.9pF +-6.4% 100 V CER C0G	02010	SA101A3R9CAAH
C208	0160-5963	1	CAP-FXD 18pF +-5% 50 V CER C0G	02010	08055A180JAT A
C209	0160-4799	1	CAP-FXD 2.2PF 100 V CER C0G	02010	MA101A2R2CAAH
C210	0121-0452	1	CAP-VAR 5.4pF 1.3pF 125 V AIR	04670	187-0103-028
C211	0160-4795	1	CAP-FXD 4.7pF +-10.64% 100 V CER C0G	02010	SA102A4R7DAAH
C212	0160-4835	1	CAP-FXD 0.1uF +-10% 50 V CER X7R	02010	SA105C104KAAH
C213	0160-3874	1	CAP-FXD 10pF +-5% 200 V CER C0G	06352	FD12C0G2D100D
C214	0160-3874	1	CAP-FXD 10pF +-5% 200 V CER C0G	06352	FD12C0G2D100D
C215	0160-4791	1	CAP-FXD 10pF +-5% 100 V CER C0G	02010	SA101A100JAA
C216	0160-4794	1	CAP-FXD 5.6pF +-8.92% 100 V CER C0G	02010	SA101A5R6DAA
C217	0160-3879	1	CAP-FXD 0.01uF +-20% 100 V CER X7R	06352	FD12X7R2A103M
C218	0160-4832	1	CAP-FXD 0.01uF +-10% 100 V CER X7R	02010	SA101C103KAAH
C219	0180-4003	1	CAP-FXD 10uF +-10% 25 V TA	12340	T398E106K025AS
C220	0160-0575	1	CAP-FXD 0.047uF +-20% 50 V CER X7R	06121	B37987-M5473-M51
C221	0160-4832	1	CAP-FXD 0.01uF +-10% 100 V CER X7R	02010	SA101C103KAAH
C222	0160-4832	1	CAP-FXD 0.01uF +-10% 100 V CER X7R	02010	SA101C103KAAH
C223	0160-4832	1	CAP-FXD 0.01uF +-10% 100 V CER X7R	02010	SA101C103KAAH
C224	0160-4835	1	CAP-FXD 0.1uF +-10% 50 V CER X7R	02010	SA105C104KAAH
C225	0180-3754	1	CAP-FXD 10uF +-20% 25 V TA	02010	TAJD106M025
C226	0160-4832	1	CAP-FXD 0.01uF +-10% 100 V CER X7R	02010	SA101C103KAAH
C227	0160-4832	1	CAP-FXD 0.01uF +-10% 100 V CER X7R	02010	SA101C103KAAH
C228	0160-4835	1	CAP-FXD 0.1uF +-10% 50 V CER X7R	02010	SA105C104KAAH
C229	0180-4003	1	CAP-FXD 10uF +-10% 25 V TA	12340	T398E106K025AS
C230	0180-4287	1	CAP-FXD 10uF +-20% 35 V TA	02010	TAJD106M035
C231	0180-4287	1	CAP-FXD 10uF +-20% 35 V TA	02010	TAJD106M035
C232	0180-3754	1	CAP-FXD 10uF +-20% 25 V TA	02010	TAJD106M025

**HP Part Number 08563-60134
Radio Frequency (continued)**

Reference Designator	HP Part Number	Qty	Description	Mfr Code	Mfr Part Number
C233	0160-4801	1	CAP-FXD 100pF +-5% 100 V CER C0G	02010	SA102A101JAAH
C234	0160-3879	1	CAP-FXD 0.01uF +-20% 100 V CER X7R	06352	FD12X7R2A103M
C235	0160-4793	1	CAP-FXD 6.8pF +-7.35% 100 V CER C0G	02010	SA101A6R8DAA
C236	0160-4832	1	CAP-FXD 0.01uF +-10% 100 V CER X7R	02010	SA101C103KAAH
C237	0160-4832	1	CAP-FXD 0.01uF +-10% 100 V CER X7R	02010	SA101C103KAAH
C238	0160-4521	1	CAP-FXD 12pF +-5% 200 V CER C0G	06352	FD12C0G2D120J
C239	0160-4793	1	CAP-FXD 6.8pF +-7.35% 100 V CER C0G	02010	SA101A6R8DAA
C240	0180-3838	1	CAP-FXD 33uF +-20% 25 V AL-ELCTLT	06360	SRG25VB33RM5X7RPX
C241	0160-4832	1	CAP-FXD 0.01uF +-10% 100 V CER X7R	02010	SA101C103KAAH
C242	0160-4822	1	CAP-FXD 1000pF +-5% 100 V CER C0G	02010	SA201A102JAAH
C243	0160-4040	1	CAP-FXD 1000pF +-5% 100 V CER C0G	06352	FD12C0G2A102J
C244	0160-4040	1	CAP-FXD 1000pF +-5% 100 V CER C0G	06352	FD12C0G2A102J
C245	0160-4040	1	CAP-FXD 1000pF +-5% 100 V CER C0G	06352	FD12C0G2A102J
C246	0160-4040	1	CAP-FXD 1000pF +-5% 100 V CER C0G	06352	FD12C0G2A102J
C247	0160-4822	1	CAP-FXD 1000pF +-5% 100 V CER C0G	02010	SA201A102JAAH
C248	0160-4389	1	CAP-FXD 100pF +-5% 200 V CER C0G	06352	FD12C0G2D101J
C301	0180-4287	1	CAP-FXD 10uF +-20% 35 V TA	02010	TAJD106M035
C303	0160-4832	1	CAP-FXD 0.01uF +-10% 100 V CER X7R	02010	SA101C103KAAH
C304	0160-4535	1	CAP-FXD 1uF +-10% 50 V CER X7R	02010	SR305C105KAAH
C305	0160-7736	1	CAP-FXD 1uF +-10% 16 V CER X7R	06352	C3216X7R1C105K
C307	0160-4832	1	CAP-FXD 0.01uF +-10% 100 V CER X7R	02010	SA101C103KAAH
C308	0160-4832	1	CAP-FXD 0.01uF +-10% 100 V CER X7R	02010	SA101C103KAAH
C309	0160-4535	1	CAP-FXD 1uF +-10% 50 V CER X7R	02010	SR305C105KAAH
C310	0160-7736	1	CAP-FXD 1uF +-10% 16 V CER X7R	06352	C3216X7R1C105K
C311	0160-6736	1	CAP-FXD 0.01uF +-10% 50 V CER X7R	02010	12065C103KAT A
C312	0160-6736	1	CAP-FXD 0.01uF +-10% 50 V CER X7R	02010	12065C103KAT A
C313	0160-6736	1	CAP-FXD 0.01uF +-10% 50 V CER X7R	02010	12065C103KAT A
C314	0160-6734	1	CAP-FXD 0.047uF +-10% 50 V CER X7R	02010	12065C473KAT A
C400	0160-4801	1	CAP-FXD 100pF +-5% 100 V CER C0G	02010	SA102A101JAAH
C401	0160-3879	1	CAP-FXD 0.01uF +-20% 100 V CER X7R	06352	FD12X7R2A103M
C402	0160-4832	1	CAP-FXD 0.01uF +-10% 100 V CER X7R	02010	SA101C103KAAH
C403	0160-4832	1	CAP-FXD 0.01uF +-10% 100 V CER X7R	02010	SA101C103KAAH
C404	0160-4793	1	CAP-FXD 6.8pF +-7.35% 100 V CER C0G	02010	SA101A6R8DAA
C405	0160-4801	1	CAP-FXD 100pF +-5% 100 V CER C0G	02010	SA102A101JAAH
C406	0160-4832	1	CAP-FXD 0.01uF +-10% 100 V CER X7R	02010	SA101C103KAAH

**Indicates factory-selected value*

CLIP 08563-60134 3

Scans by ArtekMedia => 2009

HP Part Number 08563-60134
Radio Frequency (continued)

Reference Designator	HP Part Number	Qty	Description	Mfr Code	Mfr Part Number
C407	0160-4832	1	CAP-FXD 0.01uF +-10% 100 V CER X7R	02010	SA101C103KAAH
C408	0160-4801	1	CAP-FXD 100pF +-5% 100 V CER C0G	02010	SA102A101JAAH
C409	0180-4287	1	CAP-FXD 10uF +-20% 35 V TA	02010	TAJD106M035
C410	0160-7798	1	CAP-FXD 0.1uF +-10% 50 V CER X7R	06352	C2012X7R1H104K
C412	0160-7736	1	CAP-FXD 1uF +-10% 16 V CER X7R	06352	C3216X7R1C105K
C413	0160-4535	1	CAP-FXD 1uF +-10% 50 V CER X7R	02010	SR305C105KAAH
C414	0160-7736	1	CAP-FXD 1uF +-10% 16 V CER X7R	06352	C3216X7R1C105K
C415	0160-4889	1	CAP-FXD 1800pF +-10% 100 V CER C0G	02010	SR201A182KAA
C416	0160-4535	1	CAP-FXD 1uF +-10% 50 V CER X7R	02010	SR305C105KAAH
C418	0160-4535	1	CAP-FXD 1uF +-10% 50 V CER X7R	02010	SR305C105KAAH
C422	0160-4535	1	CAP-FXD 1uF +-10% 50 V CER X7R	02010	SR305C105KAAH
C424	0160-4084	1	CAP-FXD 0.1uF +-20% 50 V CER X7R	02010	SR215C104MAAH
C425	0160-4084	1	CAP-FXD 0.1uF +-20% 50 V CER X7R	02010	SR215C104MAAH
C426	0160-4084	1	CAP-FXD 0.1uF +-20% 50 V CER X7R	02010	SR215C104MAAH
C427	0160-4084	1	CAP-FXD 0.1uF +-20% 50 V CER X7R	02010	SR215C104MAAH
C428	0160-4535	1	CAP-FXD 1uF +-10% 50 V CER X7R	02010	SR305C105KAAH
C429	0160-4535	1	CAP-FXD 1uF +-10% 50 V CER X7R	02010	SR305C105KAAH
C431	0160-4084	1	CAP-FXD 0.1uF +-20% 50 V CER X7R	02010	SR215C104MAAH
C433	0160-4492	1	CAP-FXD 18pF +-5% 200 V CER C0G	06352	FD12C0G2D180J
C435	0160-4535	1	CAP-FXD 1uF +-10% 50 V CER X7R	02010	SR305C105KAAH
C436	0160-5350	1	CAP-FXD 300pF +-5% 100 V CER C0G	02010	SA101A301JAAH
C437	0160-4808	1	CAP-FXD 470pF +-5% 100 V CER C0G	02010	SA101A471JAAH
C439	0160-4084	1	CAP-FXD 0.1uF +-20% 50 V CER X7R	02010	SR215C104MAAH
C441	0160-0574	1	CAP-FXD 0.022uF +-20% 100 V CER X7R	06352	FD12X7R2A223M
C443	0160-3879	1	CAP-FXD 0.01uF +-20% 100 V CER X7R	06352	FD12X7R2A103M
C444	0160-4084	1	CAP-FXD 0.1uF +-20% 50 V CER X7R	02010	SR215C104MAAH
C445	0160-5098	1	CAP-FXD 0.22uF +-10% 50 V CER X7R	02010	SA405C224KAAH
C446	0160-6585	1	CAP-FXD 1600pF +-5% 100 V CER C0G	02010	SA301A162JAA
C448	0160-6414	1	CAP-FXD 2400pF +-5% 100 V CER C0G	02010	SA301A242JAA
C451	0180-4274	1	CAP-FXD 4.7uF +-20% 50 V TA	12340	T491D475M050AS
C452	0180-4287	1	CAP-FXD 10uF +-20% 35 V TA	02010	TAJD106M035
C453	0180-4287	1	CAP-FXD 10uF +-20% 35 V TA	02010	TAJD106M035
C454	0180-3920	1	CAP-FXD 330uF +-20% 10 V AL-ELCTLT	00779	TVX1A331MAA1LS
C455	0180-3920	1	CAP-FXD 330uF +-20% 10 V AL-ELCTLT	00779	TVX1A331MAA1LS
C459	0160-4832	1	CAP-FXD 0.01uF +-10% 100 V CER X7R	02010	SA101C103KAAH

**HP Part Number 08563-60134
Radio Frequency (continued)**

Reference Designator	HP Part Number	Qty	Description	Mfr Code	Mfr Part Number
C460	0160-3878	1	CAP-FXD 1000pF +-20% 100 V CER X7R	06352	FD12X7R2A102M
C462	0160-4524	1	CAP-FXD 24pF +-5% 200 V CER C0G	06352	FD12C0G2D240J
C463	0160-0574	1	CAP-FXD 0.022uF +-20% 100 V CER X7R	06352	FD12X7R2A223M
C464	0160-4822	1	CAP-FXD 1000pF +-5% 100 V CER C0G	02010	SA201A102JAAH
C465	0160-4084	1	CAP-FXD 0.1uF +-20% 50 V CER X7R	02010	SR215C104MAAH
C466	0160-0574	1	CAP-FXD 0.022uF +-20% 100 V CER X7R	06352	FD12X7R2A223M
C467	0160-0574	1	CAP-FXD 0.022uF +-20% 100 V CER X7R	06352	FD12X7R2A223M
C468	0160-4084	1	CAP-FXD 0.1uF +-20% 50 V CER X7R	02010	SR215C104MAAH
C469	0160-5414	1	CAP-FXD 430pF +-5% 100 V CER C0G	02010	SA101A431JAAH
C470	0160-4084	1	CAP-FXD 0.1uF +-20% 50 V CER X7R	02010	SR215C104MAAH
C471	0160-0574	1	CAP-FXD 0.022uF +-20% 100 V CER X7R	06352	FD12X7R2A223M
C472	0160-4797	1	CAP-FXD 3.3pF +-7.58% 100 V CER C0G	02010	MA101A3R3CAA
C473	0160-4790	1	CAP-FXD 12pF +-5% 100 V CER C0G	02010	SA101A120JAA
C474	0160-4803	1	CAP-FXD 68pF +-5% 100 V CER C0G	02010	SA101A680JAA
C475	0160-4350	1	CAP-FXD 68pF +-5% 200 V CER C0G	06352	FD12C0G2D680J
C476	0160-5952	1	CAP-FXD 330pF +-5% 50 V CER C0G	02010	08055A331JAT A
C477	0160-0574	1	CAP-FXD 0.022uF +-20% 100 V CER X7R	06352	FD12X7R2A223M
C478	0160-4031	1	CAP-FXD 330pF +-5% 100 V CER C0G	06352	FD12C0G2A331J
C479	0160-4084	1	CAP-FXD 0.1uF +-20% 50 V CER X7R	02010	SR215C104MAAH
C480	0160-3879	1	CAP-FXD 0.01uF +-20% 100 V CER X7R	06352	FD12X7R2A103M
C481	0160-7798	1	CAP-FXD 0.1uF +-10% 50 V CER X7R	06352	C2012X7R1H104K
C483	0160-4040	1	CAP-FXD 1000pF +-5% 100 V CER C0G	06352	FD12C0G2A102J
C484	0160-4806	1	CAP-FXD 39pF +-5% 100 V CER C0G	02010	SA102A390JAAH
C485	0160-0575	1	CAP-FXD 0.047uF +-20% 50 V CER X7R	06121	B37987-M5473-M51
C486	0160-7736	1	CAP-FXD 1uF +-10% 16 V CER X7R	06352	C3216X7R1C105K
C487	0160-4535	1	CAP-FXD 1uF +-10% 50 V CER X7R	02010	SR305C105KAAH
C488	0160-4535	1	CAP-FXD 1uF +-10% 50 V CER X7R	02010	SR305C105KAAH
C489	0160-4535	1	CAP-FXD 1uF +-10% 50 V CER X7R	02010	SR305C105KAAH
C490	0160-4822	1	CAP-FXD 1000pF +-5% 100 V CER C0G	02010	SA201A102JAAH
C491	0180-4135	1	CAP-FXD 33uF +-10% 10 V TA	02010	TARW336K010
C492	0160-4365	1	CAP-FXD 470pF +-5% 100 V CER C0G	06352	FD12C0G2A471J
C493	0160-4535	1	CAP-FXD 1uF +-10% 50 V CER X7R	02010	SR305C105KAAH
C495	0160-4365	1	CAP-FXD 470pF +-5% 100 V CER C0G	06352	FD12C0G2A471J
C496	0160-4365	1	CAP-FXD 470pF +-5% 100 V CER C0G	06352	FD12C0G2A471J
C497	0160-4365	1	CAP-FXD 470pF +-5% 100 V CER C0G	06352	FD12C0G2A471J

**Indicates factory-selected value*

CLIP 08563-60134 5

Scans by ArtekMedia => 2009

HP Part Number 08563-60134
Radio Frequency (continued)

Reference Designator	HP Part Number	Qty	Description	Mfr Code	Mfr Part Number
C498	0180-4136	1	CAP-FXD 10uF +-10% 20 V TA	02010	TAR2106K020
C499	0160-4365	1	CAP-FXD 470pF +-5% 100 V CER C0G	06352	FD12C0G2A471J
C501	0160-7867	1	CAP-FXD 6.8pF +-3.68% 50 V CER C0G	02010	06035A6R8CAT
C502	0180-3754	1	CAP-FXD 10uF +-20% 25 V TA	02010	TAJD106M025
C503	0160-7751	1	CAP-FXD 0.01uF +-10% 50 V CER X7R	02010	06035C103KAT
C504	0160-7751	1	CAP-FXD 0.01uF +-10% 50 V CER X7R	02010	06035C103KAT
C505	0160-5967	1	CAP-FXD 100pF +-5% 50 V CER C0G	06352	C2012COG1H101J
C508	0160-5967	1	CAP-FXD 100pF +-5% 50 V CER C0G	06352	C2012COG1H101J
C509	0160-7861	1	CAP-FXD 47pF +-5% 50 V CER C0G	02010	06035A470JAT
C510	0160-4832	1	CAP-FXD 0.01uF +-10% 100 V CER X7R	02010	SA101C103KAAH
C511	0160-7841	1	CAP-FXD 15pF +-5% 50 V CER C0G	02010	06035A150JAT
C512	0160-7751	1	CAP-FXD 0.01uF +-10% 50 V CER X7R	02010	06035C103KAT
C513	0160-4832	1	CAP-FXD 0.01uF +-10% 100 V CER X7R	02010	SA101C103KAAH
C514	0160-4791	1	CAP-FXD 10pF +-5% 100 V CER C0G	02010	SA101A100JAA
C515	0160-7405	1	CAP-FXD 560pF +-5% 50 V CER C0G	06352	C2012C0G1H561J
C516	0160-4832	1	CAP-FXD 0.01uF +-10% 100 V CER X7R	02010	SA101C103KAAH
C517	0160-4832	1	CAP-FXD 0.01uF +-10% 100 V CER X7R	02010	SA101C103KAAH
C518	0160-4789	1	CAP-FXD 15pF +-5% 100 V CER C0G	02010	SA101A150JAA
C520	0160-4789	1	CAP-FXD 15pF +-5% 100 V CER C0G	02010	SA101A150JAA
C521	0160-4789	1	CAP-FXD 15pF +-5% 100 V CER C0G	02010	SA101A150JAA
C522	0160-4791	1	CAP-FXD 10pF +-5% 100 V CER C0G	02010	SA101A100JAA
C523	0160-4791	1	CAP-FXD 10pF +-5% 100 V CER C0G	02010	SA101A100JAA
C524	0160-4803	1	CAP-FXD 68pF +-5% 100 V CER C0G	02010	SA101A680JAA
C525	0160-4790	1	CAP-FXD 12pF +-5% 100 V CER C0G	02010	SA101A120JAA
C526	0160-4789	1	CAP-FXD 15pF +-5% 100 V CER C0G	02010	SA101A150JAA
C527	0160-4792	1	CAP-FXD 8.2pF +-6.1% 100 V CER C0G	02010	SA101A8R2DAA
C528	0160-4810	1	CAP-FXD 330pF +-5% 100 V CER C0G	02010	SA101A331JAAH
C529	0160-4811	1	CAP-FXD 270pF +-5% 100 V CER C0G	02010	SA101A271JAAH
C530	0160-4832	1	CAP-FXD 0.01uF +-10% 100 V CER X7R	02010	SA101C103KAAH
C531	0160-4835	1	CAP-FXD 0.1uF +-10% 50 V CER X7R	02010	SA105C104KAAH
C532	0160-4832	1	CAP-FXD 0.01uF +-10% 100 V CER X7R	02010	SA101C103KAAH
C534	0160-4835	1	CAP-FXD 0.1uF +-10% 50 V CER X7R	02010	SA105C104KAAH
C541	0160-6222	1	CAP-FXD 0.1uF +-10% 50 V CER X7R	02010	12105C104KAT A
C542	0160-6222	1	CAP-FXD 0.1uF +-10% 50 V CER X7R	02010	12105C104KAT A
C543	0160-6222	1	CAP-FXD 0.1uF +-10% 50 V CER X7R	02010	12105C104KAT A

**HP Part Number 08563-60134
Radio Frequency (continued)**

Reference Designator	HP Part Number	Qty	Description	Mfr Code	Mfr Part Number
C544	0160-6222	1	CAP-FXD 0.1uF +-10% 50 V CER X7R	02010	12105C104KAT A
C545	0160-6222	1	CAP-FXD 0.1uF +-10% 50 V CER X7R	02010	12105C104KAT A
C546	0160-6222	1	CAP-FXD 0.1uF +-10% 50 V CER X7R	02010	12105C104KAT A
C547	0160-6222	1	CAP-FXD 0.1uF +-10% 50 V CER X7R	02010	12105C104KAT A
C548	0160-6222	1	CAP-FXD 0.1uF +-10% 50 V CER X7R	02010	12105C104KAT A
C549	0160-6222	1	CAP-FXD 0.1uF +-10% 50 V CER X7R	02010	12105C104KAT A
C550	0180-4287	1	CAP-FXD 10uF +-20% 35 V TA	02010	TAJD106M035
C553	0180-4287	1	CAP-FXD 10uF +-20% 35 V TA	02010	TAJD106M035
C555	0160-4790	1	CAP-FXD 12pF +-5% 100 V CER C0G	02010	SA101A120JAA
C556	0160-4793	1	CAP-FXD 6.8pF +-7.35% 100 V CER C0G	02010	SA101A6R8DAA
C560	0160-6734	1	CAP-FXD 0.047uF +-10% 50 V CER X7R	02010	12065C473KAT A
C561	0160-6734	1	CAP-FXD 0.047uF +-10% 50 V CER X7R	02010	12065C473KAT A
C562	0160-6734	1	CAP-FXD 0.047uF +-10% 50 V CER X7R	02010	12065C473KAT A
C563	0160-6734	1	CAP-FXD 0.047uF +-10% 50 V CER X7R	02010	12065C473KAT A
C564	0160-6734	1	CAP-FXD 0.047uF +-10% 50 V CER X7R	02010	12065C473KAT A
C565	0160-6734	1	CAP-FXD 0.047uF +-10% 50 V CER X7R	02010	12065C473KAT A
C566	0160-6100	1	CAP-FXD 1000pF +-5% 50 V CER C0G	02010	12065A102JAT A
C567	0160-5968	1	CAP-FXD 82pF +-5% 50 V CER C0G	02010	08051A820JAT A
C568	0160-5952	1	CAP-FXD 330pF +-5% 50 V CER C0G	02010	08055A331JAT A
C569	0160-5942	1	CAP-FXD 1pF +-25% 50 V CER C0G	02010	08051A1R0CAT A
C570	0160-7256	1	CAP-FXD 9pF +-2.78% 50 V CER C0G	02010	08055A9ROCAT-A
C571	0160-7377	1	CAP-FXD 30pF +-5% 50 V CER C0G	06352	C2012C0G1H300JT
C572	0160-5952	1	CAP-FXD 330pF +-5% 50 V CER C0G	02010	08055A331JAT A
C573	0160-6222	1	CAP-FXD 0.1uF +-10% 50 V CER X7R	02010	12105C104KAT A
C574	0160-6222	1	CAP-FXD 0.1uF +-10% 50 V CER X7R	02010	12105C104KAT A
C575	0160-6222	1	CAP-FXD 0.1uF +-10% 50 V CER X7R	02010	12105C104KAT A
C580	0160-6222	1	CAP-FXD 0.1uF +-10% 50 V CER X7R	02010	12105C104KAT A
C581	0160-6222	1	CAP-FXD 0.1uF +-10% 50 V CER X7R	02010	12105C104KAT A
C582	0160-6222	1	CAP-FXD 0.1uF +-10% 50 V CER X7R	02010	12105C104KAT A
C590	0160-5963	1	CAP-FXD 18pF +-5% 50 V CER C0G	02010	08055A180JAT A
C591	0160-5967	1	CAP-FXD 100pF +-5% 50 V CER C0G	06352	C2012COG1H101J
C592	0160-7333	1	CAP-FXD 0.068uF +-10% 50 V CER X7R	06352	C3216X7R1H683KT
C600	0160-7217	1	CAP-FXD 20pF +-5% 50 V CER C0G	06352	C2012C0G1H200JT
C615	0160-5952	1	CAP-FXD 330pF +-5% 50 V CER C0G	02010	08055A331JAT A
C616	0160-5952	1	CAP-FXD 330pF +-5% 50 V CER C0G	02010	08055A331JAT A

**Indicates factory-selected value*

CLIP 08563-60134 7

Scans by ArtekMedia => 2009

HP Part Number 08563-60134
Radio Frequency (continued)

Reference Designator	HP Part Number	Qty	Description	Mfr Code	Mfr Part Number
C617	0160-5952	1	CAP-FXD 330pF +-5% 50 V CER C0G	02010	08055A331JAT A
C619	0160-7333	1	CAP-FXD 0.068uF +-10% 50 V CER X7R	06352	C3216X7R1H683KT
C623	0160-7333	1	CAP-FXD 0.068uF +-10% 50 V CER X7R	06352	C3216X7R1H683KT
C624	0160-5952	1	CAP-FXD 330pF +-5% 50 V CER C0G	02010	08055A331JAT A
C625	0180-4287	1	CAP-FXD 10uF +-20% 35 V TA	02010	TAJD106M035
C632	0160-6736	1	CAP-FXD 0.01uF +-10% 50 V CER X7R	02010	12065C103KAT A
C633	0160-6736	1	CAP-FXD 0.01uF +-10% 50 V CER X7R	02010	12065C103KAT A
C634	0160-5952	1	CAP-FXD 330pF +-5% 50 V CER C0G	02010	08055A331JAT A
C635	0160-7217	1	CAP-FXD 20pF +-5% 50 V CER C0G	06352	C2012C0G1H200JT
C636	0160-5959	1	CAP-FXD 33pF +-5% 50 V CER C0G	02010	08055A330JAT A
C637	0160-5952	1	CAP-FXD 330pF +-5% 50 V CER C0G	02010	08055A331JAT A
C638	0160-5979	1	CAP-FXD 1.5pF +-16.67% 50 V CER C0G	00939	GRM40-001COG1R5C050
C640	0160-7389	1	CAP-FXD 300pF +-5% 50 V CER C0G	06352	C2012C0G1H301JT
C641	0160-7385	1	CAP-FXD 130pF +-5% 50 V CER C0G	06352	C2012C0G1H131JT
C642	0160-6099	1	CAP-FXD 820pF +-5% 50 V CER C0G	02010	12065A821JAT A
C643	0160-7385	1	CAP-FXD 130pF +-5% 50 V CER C0G	06352	C2012C0G1H131JT
C644	0160-7389	1	CAP-FXD 300pF +-5% 50 V CER C0G	06352	C2012C0G1H301JT
C645	0160-6736	1	CAP-FXD 0.01uF +-10% 50 V CER X7R	02010	12065C103KAT A
C646	0160-6736	1	CAP-FXD 0.01uF +-10% 50 V CER X7R	02010	12065C103KAT A
C647	0160-6736	1	CAP-FXD 0.01uF +-10% 50 V CER X7R	02010	12065C103KAT A
C648	0160-6736	1	CAP-FXD 0.01uF +-10% 50 V CER X7R	02010	12065C103KAT A
C649	0160-6736	1	CAP-FXD 0.01uF +-10% 50 V CER X7R	02010	12065C103KAT A
C650	0160-6100	1	CAP-FXD 1000pF +-5% 50 V CER C0G	02010	12065A102JAT A
C651	0160-6100	1	CAP-FXD 1000pF +-5% 50 V CER C0G	02010	12065A102JAT A
C653	0160-6736	1	CAP-FXD 0.01uF +-10% 50 V CER X7R	02010	12065C103KAT A
C654	0160-6100	1	CAP-FXD 1000pF +-5% 50 V CER C0G	02010	12065A102JAT A
C656	0160-6100	1	CAP-FXD 1000pF +-5% 50 V CER C0G	02010	12065A102JAT A
C657	0160-6736	1	CAP-FXD 0.01uF +-10% 50 V CER X7R	02010	12065C103KAT A
C658	0160-6736	1	CAP-FXD 0.01uF +-10% 50 V CER X7R	02010	12065C103KAT A
C659	0160-6736	1	CAP-FXD 0.01uF +-10% 50 V CER X7R	02010	12065C103KAT A
C662	0160-5942	1	CAP-FXD 1pF +-25% 50 V CER C0G	02010	08051A1R0CAT A
C663	0160-6736	1	CAP-FXD 0.01uF +-10% 50 V CER X7R	02010	12065C103KAT A
C664	0160-5974	1	CAP-FXD 8.2pF +-6.1% 50 V CER C0G	02010	08051A8R2DAT A
C665	0160-5973	1	CAP-FXD 6.8pF 50 V CER C0G	06352	C2012COG1H6R8D
C700	0160-6734	1	CAP-FXD 0.047uF +-10% 50 V CER X7R	02010	12065C473KAT A

**HP Part Number 08563-60134
Radio Frequency (continued)**

Reference Designator	HP Part Number	Qty	Description	Mfr Code	Mfr Part Number
C701	0180-4116	1	CAP-FXD 22uF +-20% 20 V TA	02010	TAJD226M020
C702	0160-8204	1	CAP-FXD 1uF +-10% 50 V CER X7R	02010	18125C105KAT
C703	0160-6734	1	CAP-FXD 0.047uF +-10% 50 V CER X7R	02010	12065C473KAT A
C704	0160-6222	1	CAP-FXD 0.1uF +-10% 50 V CER X7R	02010	12105C104KAT A
C705	0160-7333	1	CAP-FXD 0.068uF +-10% 50 V CER X7R	06352	C3216X7R1H683KT
C706	0160-6734	1	CAP-FXD 0.047uF +-10% 50 V CER X7R	02010	12065C473KAT A
C707	0180-4228	1	CAP-FXD 47uF +-20% 10 V TA	02010	TAJD476M010
C708	0160-7217	1	CAP-FXD 20pF +-5% 50 V CER C0G	06352	C2012C0G1H200JT
C709	0160-7371	1	CAP-FXD 5pF +-5% 50 V CER C0G	02010	08055AR0CAT_A
C710	0160-5960	1	CAP-FXD 27pF +-5% 50 V CER C0G	02010	08055A270JAT A
C711	0160-6100	1	CAP-FXD 1000pF +-5% 50 V CER C0G	02010	12065A102JAT A
C712	0160-5952	1	CAP-FXD 330pF +-5% 50 V CER C0G	02010	08055A331JAT A
C713	0180-4116	1	CAP-FXD 22uF +-20% 20 V TA	02010	TAJD226M020
C714	0160-5952	1	CAP-FXD 330pF +-5% 50 V CER C0G	02010	08055A331JAT A
C715	0160-5974	1	CAP-FXD 8.2pF +-6.1% 50 V CER C0G	02010	08051A8R2DAT A
C716	0180-3754	1	CAP-FXD 10uF +-20% 25 V TA	02010	TAJD106M025
C717	0160-6734	1	CAP-FXD 0.047uF +-10% 50 V CER X7R	02010	12065C473KAT A
C719	0160-5960	1	CAP-FXD 27pF +-5% 50 V CER C0G	02010	08055A270JAT A
C720	0160-6734	1	CAP-FXD 0.047uF +-10% 50 V CER X7R	02010	12065C473KAT A
C721	0160-6736	1	CAP-FXD 0.01uF +-10% 50 V CER X7R	02010	12065C103KAT A
C722	0160-5942	1	CAP-FXD 1pF +-25% 50 V CER C0G	02010	08051A1R0CAT A
C723	0160-5980	1	CAP-FXD 1.8pF +-27.78% 50 V CER C0G	02010	08051A1R8DAT A
C724	0160-7374	1	CAP-FXD 13pF +-5% 50 V CER C0G	06352	C2012C0G1H130JT
C725	0160-5967	1	CAP-FXD 100pF +-5% 50 V CER C0G	06352	C2012COG1H101J
C726	0160-6734	1	CAP-FXD 0.047uF +-10% 50 V CER X7R	02010	12065C473KAT A
C727	0160-5957	1	CAP-FXD 47pF +-5% 50 V CER C0G	02010	08055A470JAT A
C728	0160-6734	1	CAP-FXD 0.047uF +-10% 50 V CER X7R	02010	12065C473KAT A
C729	0180-4116	1	CAP-FXD 22uF +-20% 20 V TA	02010	TAJD226M020
C730	0160-6734	1	CAP-FXD 0.047uF +-10% 50 V CER X7R	02010	12065C473KAT A
C731	0160-5967	1	CAP-FXD 100pF +-5% 50 V CER C0G	06352	C2012COG1H101J
C732	0180-4116	1	CAP-FXD 22uF +-20% 20 V TA	02010	TAJD226M020
C733	0160-7333	1	CAP-FXD 0.068uF +-10% 50 V CER X7R	06352	C3216X7R1H683KT
C734	0160-5967	1	CAP-FXD 100pF +-5% 50 V CER C0G	06352	C2012COG1H101J
C735	0160-5967	1	CAP-FXD 100pF +-5% 50 V CER C0G	06352	C2012COG1H101J
C736	0160-5955	1	CAP-FXD 68pF +-5% 50 V CER C0G	02010	08055A680JATRA

**Indicates factory-selected value*

CLIP 08563-60134 9

Scans by ArtekMedia => 2009

HP Part Number 08563-60134
Radio Frequency (continued)

Reference Designator	HP Part Number	Qty	Description	Mfr Code	Mfr Part Number
C737	0160-5980	1	CAP-FXD 1.8pF +-27.78% 50 V CER C0G	02010	08051A1R8DAT A
C738	0160-5967	1	CAP-FXD 100pF +-5% 50 V CER C0G	06352	C2012COG1H101J
C740	0180-4287	1	CAP-FXD 10uF +-20% 35 V TA	02010	TAJD106M035
C741	0160-6734	1	CAP-FXD 0.047uF +-10% 50 V CER X7R	02010	12065C473KAT A
C742	0160-6734	1	CAP-FXD 0.047uF +-10% 50 V CER X7R	02010	12065C473KAT A
C743	0160-5980	1	CAP-FXD 1.8pF +-27.78% 50 V CER C0G	02010	08051A1R8DAT A
C744	0160-5942	1	CAP-FXD 1pF +-25% 50 V CER C0G	02010	08051A1R0CAT A
C745	0160-5943	1	CAP-FXD 2.7pF 50 V CER C0G	02010	08051A2R7CAT A
C746	0160-5942	1	CAP-FXD 1pF +-25% 50 V CER C0G	02010	08051A1R0CAT A
C747	0160-5980	1	CAP-FXD 1.8pF +-27.78% 50 V CER C0G	02010	08051A1R8DAT A
C748	0160-5980	1	CAP-FXD 1.8pF +-27.78% 50 V CER C0G	02010	08051A1R8DAT A
C750	0121-0452	1	CAP-VAR 5.4pF 1.3pF 125 V AIR	04670	187-0103-028
C751	0121-0452	1	CAP-VAR 5.4pF 1.3pF 125 V AIR	04670	187-0103-028
C801	0160-4574	1	CAP-FXD 1000pF +-10% 100 V CER X7R	02010	SA101C102KAAH
C802	0160-4574	1	CAP-FXD 1000pF +-10% 100 V CER X7R	02010	SA101C102KAAH
C803	0160-4574	1	CAP-FXD 1000pF +-10% 100 V CER X7R	02010	SA101C102KAAH
C804	0160-4574	1	CAP-FXD 1000pF +-10% 100 V CER X7R	02010	SA101C102KAAH
C805	0160-4835	1	CAP-FXD 0.1uF +-10% 50 V CER X7R	02010	SA105C104KAAH
C806	0160-4835	1	CAP-FXD 0.1uF +-10% 50 V CER X7R	02010	SA105C104KAAH
C807	0160-4574	1	CAP-FXD 1000pF +-10% 100 V CER X7R	02010	SA101C102KAAH
C808	0180-4287	1	CAP-FXD 10uF +-20% 35 V TA	02010	TAJD106M035
C809	0160-7381	1	CAP-FXD 36pF +-5% 50 V CER C0G	06352	C2012C0G1H360JT
C810	0160-4387	1	CAP-FXD 47pF +-5% 200 V CER C0G	06352	FD12C0G2D470J
C811	0160-6100	1	CAP-FXD 1000pF +-5% 50 V CER C0G	02010	12065A102JAT A
C813	0160-6100	1	CAP-FXD 1000pF +-5% 50 V CER C0G	02010	12065A102JAT A
C814	0160-5947	1	CAP-FXD 1000pF +-10% 50 V CER X7R	02010	08055C102KAT A
C815	0160-5973	1	CAP-FXD 6.8pF 50 V CER C0G	06352	C2012COG1H6R8D
C816	0160-5952	1	CAP-FXD 330pF +-5% 50 V CER C0G	02010	08055A331JAT A
C817	0160-5947	1	CAP-FXD 1000pF +-10% 50 V CER X7R	02010	08055C102KAT A
C818	0160-5975	1	CAP-FXD 10pF +-5% 50 V CER C0G	02010	08055A100JAT A
C819	0160-5975	1	CAP-FXD 10pF +-5% 50 V CER C0G	02010	08055A100JAT A
C820	0160-5952	1	CAP-FXD 330pF +-5% 50 V CER C0G	02010	08055A331JAT A
C821	0160-5959	1	CAP-FXD 33pF +-5% 50 V CER C0G	02010	08055A330JAT A
C822	0160-6100	1	CAP-FXD 1000pF +-5% 50 V CER C0G	02010	12065A102JAT A
C823	0160-6100	1	CAP-FXD 1000pF +-5% 50 V CER C0G	02010	12065A102JAT A

**HP Part Number 08563-60134
Radio Frequency (continued)**

Reference Designator	HP Part Number	Qty	Description	Mfr Code	Mfr Part Number
C824	0160-6100	1	CAP-FXD 1000pF +-5% 50 V CER C0G	02010	12065A102JAT A
C825	0160-5962	1	CAP-FXD 15pF +-5% 50 V CER C0G	09939	GRM40C0G150J050
C826	0160-6100	1	CAP-FXD 1000pF +-5% 50 V CER C0G	02010	12065A102JAT A
C827	0160-5963	1	CAP-FXD 18pF +-5% 50 V CER C0G	02010	08055A180JAT A
C828	0160-5971	1	CAP-FXD 4.7pF +-10.64% 50 V CER C0G	02010	08055A4R7DAT A
C829	0160-6100	1	CAP-FXD 1000pF +-5% 50 V CER C0G	02010	12065A102JAT A
C830	0160-5952	1	CAP-FXD 330pF +-5% 50 V CER C0G	02010	08055A331JAT A
C831	0160-5963	1	CAP-FXD 18pF +-5% 50 V CER C0G	02010	08055A180JAT A
C832	0160-5971	1	CAP-FXD 4.7pF +-10.64% 50 V CER C0G	02010	08055A4R7DAT A
C833	0160-6100	1	CAP-FXD 1000pF +-5% 50 V CER C0G	02010	12065A102JAT A
C834	0160-6100	1	CAP-FXD 1000pF +-5% 50 V CER C0G	02010	12065A102JAT A
C835	0160-6100	1	CAP-FXD 1000pF +-5% 50 V CER C0G	02010	12065A102JAT A
C836	0160-5952	1	CAP-FXD 330pF +-5% 50 V CER C0G	02010	08055A331JAT A
C837	0160-5952	1	CAP-FXD 330pF +-5% 50 V CER C0G	02010	08055A331JAT A
C838	0160-6100	1	CAP-FXD 1000pF +-5% 50 V CER C0G	02010	12065A102JAT A
C903	0160-4835	1	CAP-FXD 0.1uF +-10% 50 V CER X7R	02010	SA105C104KAAH
C904	0160-4835	1	CAP-FXD 0.1uF +-10% 50 V CER X7R	02010	SA105C104KAAH
C905	0160-4835	1	CAP-FXD 0.1uF +-10% 50 V CER X7R	02010	SA105C104KAAH
C906	0160-4835	1	CAP-FXD 0.1uF +-10% 50 V CER X7R	02010	SA105C104KAAH
C907	0160-4835	1	CAP-FXD 0.1uF +-10% 50 V CER X7R	02010	SA105C104KAAH
C908	0160-4787	1	CAP-FXD 22pF +-5% 100 V CER C0G	02010	SA101A220JAA
C909	0160-4835	1	CAP-FXD 0.1uF +-10% 50 V CER X7R	02010	SA105C104KAAH
C910	0180-4287	1	CAP-FXD 10uF +-20% 35 V TA	02010	TAJD106M035
C911	0180-4287	1	CAP-FXD 10uF +-20% 35 V TA	02010	TAJD106M035
C912	0180-3632	1	CAP-FXD 22uF +-20% 50 V AL-ELCTLT	06360	KMC50VB22RM6X11RPX
C913	0180-4274	1	CAP-FXD 4.7uF +-20% 50 V TA	12340	T491D475M050AS
C914	0160-4835	1	CAP-FXD 0.1uF +-10% 50 V CER X7R	02010	SA105C104KAAH
C915	0160-4835	1	CAP-FXD 0.1uF +-10% 50 V CER X7R	02010	SA105C104KAAH
C916	0160-6736	1	CAP-FXD 0.01uF +-10% 50 V CER X7R	02010	12065C103KAT A
C917	0160-6736	1	CAP-FXD 0.01uF +-10% 50 V CER X7R	02010	12065C103KAT A
C920	0180-3751	1	CAP-FXD 1uF +-20% 35 V TA	02010	TAJB105M035
C921	0160-4808	1	CAP-FXD 470pF +-5% 100 V CER C0G	02010	SA101A471JAAH
C922	0160-4808	1	CAP-FXD 470pF +-5% 100 V CER C0G	02010	SA101A471JAAH
C923	0160-4808	1	CAP-FXD 470pF +-5% 100 V CER C0G	02010	SA101A471JAAH
C924	0180-4274	1	CAP-FXD 4.7uF +-20% 50 V TA	12340	T491D475M050AS

**Indicates factory-selected value*

CLIP 08563-60134 11

Scans by ArtekMedia => 2009

HP Part Number 08563-60134
Radio Frequency (continued)

Reference Designator	HP Part Number	Qty	Description	Mfr Code	Mfr Part Number
C925	0160-7736	1	CAP-FXD 1uF +-10% 16 V CER X7R	06352	C3216X7R1C105K
C926	0160-7798	1	CAP-FXD 0.1uF +-10% 50 V CER X7R	06352	C2012X7R1H104K
C927	0180-4287	1	CAP-FXD 10uF +-20% 35 V TA	02010	TAJD106M035
C928	0180-4274	1	CAP-FXD 4.7uF +-20% 50 V TA	12340	T491D475M050AS
CR101	1901-1097	1	DIODE-PIN	08852	M5X-3472
CR102	1901-1097	1	DIODE-PIN	08852	M5X-3472
CR103	1901-1097	1	DIODE-PIN	08852	M5X-3472
CR200	LTB0122-0161KI	1	D VVC 2.2PF4.5CR	28480	LTB0122-0161KI
CR301	1901-1279	1	DIODE-SCHOTTKY 60V 1NS DO-34	02910	BAT83
CR302	1901-1279	1	DIODE-SCHOTTKY 60V 1NS DO-34	02910	BAT83
CR303	1901-0050	1	DIODE-SWITCHING 80V 200MA 2NS DO-35	02910	OF678
CR304	1901-0050	1	DIODE-SWITCHING 80V 200MA 2NS DO-35	02910	OF678
CR305	1901-0050	1	DIODE-SWITCHING 80V 200MA 2NS DO-35	02910	OF678
CR401	1901-1279	1	DIODE-SCHOTTKY 60V 1NS DO-34	02910	BAT83
CR402	1901-1279	1	DIODE-SCHOTTKY 60V 1NS DO-34	02910	BAT83
CR403	1901-1279	1	DIODE-SCHOTTKY 60V 1NS DO-34	02910	BAT83
CR404	1901-1279	1	DIODE-SCHOTTKY 60V 1NS DO-34	02910	BAT83
CR405	1901-1098	1	DIODE-SWITCHING 1N4150 50V 200MA 4NS	00746	1901-1098
CR406	1901-1279	1	DIODE-SCHOTTKY 60V 1NS DO-34	02910	BAT83
CR407	1901-1279	1	DIODE-SCHOTTKY 60V 1NS DO-34	02910	BAT83
CR408	1901-1117	1	DIODE-SWITCHING 30V	00746	1SS135
CR409	1901-1117	1	DIODE-SWITCHING 30V	00746	1SS135
CR410	1901-0033	1	DIODE-GEN PRP 180V 200MA DO-35	02237	1MD2
CR411	1901-0033	1	DIODE-GEN PRP 180V 200MA DO-35	02237	1MD2
CR412	1901-0033	1	DIODE-GEN PRP 180V 200MA DO-35	02237	1MD2
CR413	1901-0033	1	DIODE-GEN PRP 180V 200MA DO-35	02237	1MD2
CR414	1901-0033	1	DIODE-GEN PRP 180V 200MA DO-35	02237	1MD2
CR416	1901-0033	1	DIODE-GEN PRP 180V 200MA DO-35	02237	1MD2
CR417	1901-1279	1	DIODE-SCHOTTKY 60V 1NS DO-34	02910	BAT83
CR418	1901-1279	1	DIODE-SCHOTTKY 60V 1NS DO-34	02910	BAT83
CR419	1901-1117	1	DIODE-SWITCHING 30V	00746	1SS135
CR420	1901-1117	1	DIODE-SWITCHING 30V	00746	1SS135
CR425	1901-1098	1	DIODE-SWITCHING 1N4150 50V 200MA 4NS	00746	1901-1098
CR426	1901-1098	1	DIODE-SWITCHING 1N4150 50V 200MA 4NS	00746	1901-1098
CR501	1901-1227	1	DIODE-SWITCHING 75V 200MA 6NS TO-236	02910	BAS16

**HP Part Number 08563-60134
Radio Frequency (continued)**

Reference Designator	HP Part Number	Qty	Description	Mfr Code	Mfr Part Number
CR502	1901-1227	1	DIODE-SWITCHING 75V 200MA 6NS TO-236	02910	BAS16
CR503	1901-1070	1	DIODE-PIN 110V	01542	1901-1070
CR504	1901-1231	1	DIODE-BT-MTCHD VF DIFF=10MV	01542	1901-1231
CR505	1901-1231	1	DIODE-BT-MTCHD VF DIFF=10MV	01542	1901-1231
CR603	1901-1192	1	DIODE-PIN 35V 100MA TO-236 (SOT-23)	01542	1901-1192
CR604	1901-1192	1	DIODE-PIN 35V 100MA TO-236 (SOT-23)	01542	1901-1192
CR605	1901-1192	1	DIODE-PIN 35V 100MA TO-236 (SOT-23)	01542	1901-1192
CR607	1900-0322	1	DIODE-PIN	28480	1900-0322
CR608	1900-0322	1	DIODE-PIN	28480	1900-0322
CR609	1900-0322	1	DIODE-PIN	28480	1900-0322
CR610	1900-0322	1	DIODE-PIN	28480	1900-0322
CR611	1900-0322	1	DIODE-PIN	28480	1900-0322
CR612	1900-0322	1	DIODE-PIN	28480	1900-0322
CR613	1901-1117	1	DIODE-SWITCHING 30V	00746	1SS135
CR614	1901-1227	1	DIODE-SWITCHING 75V 200MA 6NS TO-236	02910	BAS16
CR700	0122-0175	1	DIODE-VVC 1.8PF 10% C 1/C28-TYP=9.7	02910	BBY31
CR701	1900-0220	1	DIODE-SCHOTTKY SM SIG	01542	HSMS-2813
CR702	1900-0078	1	DIODE-SCHOTTKY SM SIG	01542	HSMS-2800
CR801	1901-1097	1	DIODE-PIN	08852	M5X-3472
CR802	1901-1097	1	DIODE-PIN	08852	M5X-3472
E201	9170-1366	1	CORE-SHIELDING BEAD	03827	2743001112
E204	9170-1366	1	CORE-SHIELDING BEAD	03827	2743001112
E206	9170-1366	1	CORE-SHIELDING BEAD	03827	2743001112
E208	9170-1366	1	CORE-SHIELDING BEAD	03827	2743001112
E209	9170-1366	1	CORE-SHIELDING BEAD	03827	2743001112
E213	9170-1366	1	CORE-SHIELDING BEAD	03827	2743001112
E601	9170-1208	1	CORE-SHIELDING BEAD AL=380-NH/TT	03745	21-425-J
E602	9170-1208	1	CORE-SHIELDING BEAD AL=380-NH/TT	03745	21-425-J
E603	9170-1208	1	CORE-SHIELDING BEAD AL=380-NH/TT	03745	21-425-J
E604	9170-1208	1	CORE-SHIELDING BEAD AL=380-NH/TT	03745	21-425-J
E605	9170-1421	1	CORE-SHIELDING BEAD	06352	HF50ACB-322513
E701	9170-1421	1	CORE-SHIELDING BEAD	06352	HF50ACB-322513
E702	9170-1421	1	CORE-SHIELDING BEAD	06352	HF50ACB-322513
E703	9170-1421	1	CORE-SHIELDING BEAD	06352	HF50ACB-322513
J1	1252-1064	1	CONN-POST TYPE .100-PIN-SPCG-MTG-END	01380	1-746878-0

**Indicates factory-selected value*

CLIP 08563-60134 13

Scans by ArtekMedia => 2009

HP Part Number 08563-60134
Radio Frequency (continued)

Reference Designator	HP Part Number	Qty	Description	Mfr Code	Mfr Part Number
J2	1252-1064	1	CONN-POST TYPE .100-PIN-SPCG-MTG-END	01380	1-746878-0
J101	1250-2471	1	CONNECTOR-RF MCX,SM-SNP-ON FEMALE	01380	829558-3
J200	1252-1200	1	CONN-POST TYPE .100-PIN-SPCG-MTG-END	13369	68449-079
J301	1250-0543	1	CONNECTOR-RF SMB MALE PC-W-STDFS 50-OHM	07247	59S213-40TD3
J302	1250-0543	1	CONNECTOR-RF SMB MALE PC-W-STDFS 50-OHM	07247	59S213-40TD3
J303	1250-0543	1	CONNECTOR-RF SMB MALE PC-W-STDFS 50-OHM	07247	59S213-40TD3
J304	1250-0543	1	CONNECTOR-RF SMB MALE PC-W-STDFS 50-OHM	07247	59S213-40TD3
J305	1250-0543	1	CONNECTOR-RF SMB MALE PC-W-STDFS 50-OHM	07247	59S213-40TD3
J306	1252-0099	1	CONN-POST TYPE .100-PIN-SPCG-MTG-END	01380	641216-4
J400	1252-1200	1	CONN-POST TYPE .100-PIN-SPCG-MTG-END	13369	68449-079
J501	1250-0543	1	CONNECTOR-RF SMB MALE PC-W-STDFS 50-OHM	07247	59S213-40TD3
J502	1252-1200	1	CONN-POST TYPE .100-PIN-SPCG-MTG-END	13369	68449-079
J601	1250-0543	1	CONNECTOR-RF SMB MALE PC-W-STDFS 50-OHM	07247	59S213-40TD3
J602	1252-1200	1	CONN-POST TYPE .100-PIN-SPCG-MTG-END	13369	68449-079
J700	1251-5033	1	CONN-POST TYPE .100-PIN-SPCG-MTG-END	01380	103239-3
J701	1250-0543	1	CONNECTOR-RF SMB MALE PC-W-STDFS 50-OHM	07247	59S213-40TD3
J702	1250-0543	1	CONNECTOR-RF SMB MALE PC-W-STDFS 50-OHM	07247	59S213-40TD3
J801	1250-0257	1	CONNECTOR-RF SMB MALE PC-W-STDFS 50-OHM	01380	413990-3
J802	1250-0543	1	CONNECTOR-RF SMB MALE PC-W-STDFS 50-OHM	07247	59S213-40TD3
J803	1250-0543	1	CONNECTOR-RF SMB MALE PC-W-STDFS 50-OHM	07247	59S213-40TD3
J901	1252-1200	1	CONN-POST TYPE .100-PIN-SPCG-MTG-END	13369	68449-079
L101	9100-0539	1	INDUCTOR RF-CH-MLD 10uH +-5%	03273	15M102J
L102	9100-2256	1	INDUCTOR RF-CH-MLD 560nH +-10%	03273	10M560K
L103	9100-0539	1	INDUCTOR RF-CH-MLD 10uH +-5%	03273	15M102J
L104	9100-2256	1	INDUCTOR RF-CH-MLD 560nH +-10%	03273	10M560K
L105	9100-2252	1	INDUCTOR RF-CH-MLD 270nH +-10%	05524	IM-2 .27UH 10%
L106	9100-2262	1	INDUCTOR RF-CH-MLD 3.9uH +-10%	05524	IM-2 3.9UH 10%
L110	9100-2265	1	INDUCTOR RF-CH-MLD 10uH +-10%	03273	10M102K
L111	9100-2262	1	INDUCTOR RF-CH-MLD 3.9uH +-10%	05524	IM-2 3.9UH 10%
L150	9100-2247	1	INDUCTOR RF-CH-MLD 100nH +-10%	03273	10M100K
L151	9135-0078	1	INDUCTOR RF-CH-MLD 82nH +-5.61%	05524	9135-0078
L153	9100-2247	1	INDUCTOR RF-CH-MLD 100nH +-10%	03273	10M100K
L155	9135-0078	1	INDUCTOR RF-CH-MLD 82nH +-5.61%	05524	9135-0078
L200	9140-0158	1	INDUCTOR RF-CH-MLD 1uH +-10%	05826	1025-20
L202	9100-2256	1	INDUCTOR RF-CH-MLD 560nH +-10%	03273	10M560K

**HP Part Number 08563-60134
Radio Frequency (continued)**

Reference Designator	HP Part Number	Qty	Description	Mfr Code	Mfr Part Number
L203	9100-2891	1	INDUCTOR RF-CH-MLD 50nH +-10%	03273	10M050K-1
L205	9100-2891	1	INDUCTOR RF-CH-MLD 50nH +-10%	03273	10M050K-1
L207	9100-2247	1	INDUCTOR RF-CH-MLD 100nH +-10%	03273	10M100K
L210	9100-0539	1	INDUCTOR RF-CH-MLD 10uH +-5%	03273	15M102J
L211	9100-0539	1	INDUCTOR RF-CH-MLD 10uH +-5%	03273	15M102J
L212	9100-2891	1	INDUCTOR RF-CH-MLD 50nH +-10%	03273	10M050K-1
L214	9100-2891	1	INDUCTOR RF-CH-MLD 50nH +-10%	03273	10M050K-1
L301	9100-1788	1	CORE-FERRITE CHOKE-WIDEBAND;IMP:>680	11212	LB2/2.5ZB
L302	9100-0539	1	INDUCTOR RF-CH-MLD 10uH +-5%	03273	15M102J
L400	9100-2891	1	INDUCTOR RF-CH-MLD 50nH +-10%	03273	10M050K-1
L401	9100-2256	1	INDUCTOR RF-CH-MLD 560nH +-10%	03273	10M560K
L402	9100-2256	1	INDUCTOR RF-CH-MLD 560nH +-10%	03273	10M560K
L403	9100-2256	1	INDUCTOR RF-CH-MLD 560nH +-10%	03273	10M560K
L407	9100-2251	1	INDUCTOR RF-CH-MLD 220nH +-10%	03273	10M220K
L409	9100-1630	1	INDUCTOR RF-CH-MLD 51uH +-5%	05524	IM-4 51UH 5%
L410	9100-1630	1	INDUCTOR RF-CH-MLD 51uH +-5%	05524	IM-4 51UH 5%
L411	9100-2260	1	INDUCTOR RF-CH-MLD 1.8uH +-10%	03273	10M181K
L412	9100-2260	1	INDUCTOR RF-CH-MLD 1.8uH +-10%	03273	10M181K
L413	9100-1630	1	INDUCTOR RF-CH-MLD 51uH +-5%	05524	IM-4 51UH 5%
L414	9100-1630	1	INDUCTOR RF-CH-MLD 51uH +-5%	05524	IM-4 51UH 5%
L415	9140-0158	1	INDUCTOR RF-CH-MLD 1uH +-10%	05826	1025-20
L416	9140-0158	1	INDUCTOR RF-CH-MLD 1uH +-10%	05826	1025-20
L417	9100-1636	1	INDUCTOR RF-CH-MLD 110uH +-5%	05826	1537-78
L418	9100-3560	1	INDUCTOR RF-CH-MLD 5.6uH +-5%	05524	IM-4 5.6UH 5%
L420	9100-0539	1	INDUCTOR RF-CH-MLD 10uH +-5%	03273	15M102J
L421	9100-0539	1	INDUCTOR RF-CH-MLD 10uH +-5%	03273	15M102J
L422	9100-0539	1	INDUCTOR RF-CH-MLD 10uH +-5%	03273	15M102J
L423	9100-0539	1	INDUCTOR RF-CH-MLD 10uH +-5%	03273	15M102J
L424	9100-0539	1	INDUCTOR RF-CH-MLD 10uH +-5%	03273	15M102J
L427	9140-0141	1	INDUCTOR RF-CH-MLD 680nH +-10%	05826	1025-16
L428	9140-0141	1	INDUCTOR RF-CH-MLD 680nH +-10%	05826	1025-16
L430	9100-1788	1	CORE-FERRITE CHOKE-WIDEBAND;IMP:>680	11212	LB2/2.5ZB
L438	9135-0077	1	INDUCTOR 36nH +-6.389% 2.6D-mmX6.6LG-mm	03273	10M036X-1
L439	9100-2247	1	INDUCTOR RF-CH-MLD 100nH +-10%	03273	10M100K
L501	9140-1565	1	INDUCTOR 47nH +5% -5% 2.8W-mmX3.4LG-mm	03273	SM3-047J-1

**Indicates factory-selected value*

CLIP 08563-60134 15

Scans by ArtekMedia => 2009

HP Part Number 08563-60134
Radio Frequency (continued)

Reference Designator	HP Part Number	Qty	Description	Mfr Code	Mfr Part Number
L502	9100-2891	1	INDUCTOR RF-CH-MLD 50nH +-10%	03273	10M050K-1
L503	9135-0077	1	INDUCTOR 36nH +-6.389% 2.6D-mmX6.6LG-mm	03273	10M036X-1
L504	9140-0141	1	INDUCTOR RF-CH-MLD 680nH +-10%	05826	1025-16
L505	9135-0075	1	INDUCTOR RF-CH-MLD 43nH +-6.047%	03273	10M043X-1
L506	9100-2256	1	INDUCTOR RF-CH-MLD 560nH +-10%	03273	10M560K
L507	9100-2256	1	INDUCTOR RF-CH-MLD 560nH +-10%	03273	10M560K
L508	9100-0539	1	INDUCTOR RF-CH-MLD 10uH +-5%	03273	15M102J
L511	9100-0539	1	INDUCTOR RF-CH-MLD 10uH +-5%	03273	15M102J
L517	9140-1201	1	INDUCTOR 39nH +-5% 2.8W-mmX3.4LG-mm Q=25	06352	NL322522T-039J
L518	9140-1099	1	INDUCTOR 220nH +-5% 2.8W-mmX3.4LG-mm	09891	KL32TER22J
L519	9140-1436	1	INDUCTOR 390nH +-5% 2.8W-mmX3.4LG-mm	06352	NL322522T-R39J
L520	9140-1101	1	INDUCTOR 470nH +-5% 2.8W-mmX3.4LG-mm	09891	KL32TER47J
L521	9140-1200	1	INDUCTOR 33nH +-5% 2.8W-mmX3.4LG-mm Q=25	09891	KL32TE033J
L600	9100-2891	1	INDUCTOR RF-CH-MLD 50nH +-10%	03273	10M050K-1
L605	9140-1103	1	INDUCTOR 680nH +-5% 2.8W-mmX3.4LG-mm	06352	NL322522T-R68J
L608	9140-1103	1	INDUCTOR 680nH +-5% 2.8W-mmX3.4LG-mm	06352	NL322522T-R68J
L609	9100-0539	1	INDUCTOR RF-CH-MLD 10uH +-5%	03273	15M102J
L613	9140-1536	1	INDUCTOR 18nH +-10% 2.8W-mmX3.4LG-mm	06352	NL322522T-018K
L614	9140-1195	1	INDUCTOR 15nH +-10% 2.8W-mmX3.4LG-mm	06352	NL322522T-015K
L615	9140-1194	1	INDUCTOR 10nH +-10% 2.8W-mmX3.4LG-mm	09891	KL32TE010K
L616	9140-1204	1	INDUCTOR 68nH +-5% 2.8W-mmX3.4LG-mm Q=27	09891	KL32TE068J
L617	9140-1104	1	INDUCTOR 820nH +-5% 2.8W-mmX3.4LG-mm	09891	KL32TER82J
L618	9140-1422	1	INDUCTOR 1.8uH +-5% 3.4W-mmX4.8LG-mm	06352	NL453232-1R8J-3
L619	9140-1425	1	INDUCTOR 270nH +-5% 2.8W-mmX3.4LG-mm	06352	NL322522T-R27J
L620	9140-1422	1	INDUCTOR 1.8uH +-5% 3.4W-mmX4.8LG-mm	06352	NL453232-1R8J-3
L621	9140-1104	1	INDUCTOR 820nH +-5% 2.8W-mmX3.4LG-mm	09891	KL32TER82J
L622	9140-1109	1	INDUCTOR 4.7uH +-5% 3.4W-mmX4.8LG-mm	06352	NL453232-4R7J-3
L623	9140-1109	1	INDUCTOR 4.7uH +-5% 3.4W-mmX4.8LG-mm	06352	NL453232-4R7J-3
L625	9140-1116	1	INDUCTOR 33uH +-5% 3.4W-mmX4.8LG-mm Q=50	06352	NL453232-330J-3
L626	9140-1113	1	INDUCTOR 10uH +-5% 3.4W-mmX4.8LG-mm Q=50	06352	NL453232-100J-3
L628	9140-1116	1	INDUCTOR 33uH +-5% 3.4W-mmX4.8LG-mm Q=50	06352	NL453232-330J-3
L629	08562-80075	1	XFMR RF TORO1D	28480	08562-80075
L630	9140-1202	1	INDUCTOR 47nH +-5% 2.8W-mmX3.4LG-mm Q=26	06352	NL322522T-047J
L631	9140-1537	1	INDUCTOR 22nH +-10% 2.8W-mmX3.4LG-mm	06352	NL322522T-022K
L632	9140-1116	1	INDUCTOR 33uH +-5% 3.4W-mmX4.8LG-mm Q=50	06352	NL453232-330J-3

**HP Part Number 08563-60134
Radio Frequency (continued)**

Reference Designator	HP Part Number	Qty	Description	Mfr Code	Mfr Part Number
L700	9140-1107	1	INDUCTOR 2.2uH +-5% 3.4W-mmX4.8LG-mm	06352	NL453232-2R2J-3
L701	9140-1050	1	INDUCTOR 70.5nH +-5% .23W-INX.38LG-IN	01886	BUGS/132-6.5T
L702	9140-1204	1	INDUCTOR 68nH +-5% 2.8W-mmX3.4LG-mm Q=27	09891	KL32TE068J
L703	9140-1105	1	INDUCTOR 1uH +-5% 3.4W-mmX4.8LG-mm Q=50	06352	NL453232-1R0J-3
L704	9140-1102	1	INDUCTOR 560nH +-5% 2.8W-mmX3.4LG-mm	06352	NL322522T-R56J
L705	9140-1103	1	INDUCTOR 680nH +-5% 2.8W-mmX3.4LG-mm	06352	NL322522T-R68J
L706	9140-1105	1	INDUCTOR 1uH +-5% 3.4W-mmX4.8LG-mm Q=50	06352	NL453232-1R0J-3
L707	9140-1204	1	INDUCTOR 68nH +-5% 2.8W-mmX3.4LG-mm Q=27	09891	KL32TE068J
L708	9140-1537	1	INDUCTOR 22nH +-10% 2.8W-mmX3.4LG-mm	06352	NL322522T-022K
L709	9140-1561	1	INDUCTOR 22nH +-5% -5% 2.8W-mmX3.4LG-mm	03273	SM3-022J-1
L710	9140-1099	1	INDUCTOR 220nH +-5% 2.8W-mmX3.4LG-mm	09891	KL32TER22J
L711	9140-1436	1	INDUCTOR 390nH +-5% 2.8W-mmX3.4LG-mm	06352	NL322522T-R39J
L712	9140-1194	1	INDUCTOR 10nH +-10% 2.8W-mmX3.4LG-mm	09891	KL32TE010K
L713	9140-1194	1	INDUCTOR 10nH +-10% 2.8W-mmX3.4LG-mm	09891	KL32TE010K
L714	9140-1194	1	INDUCTOR 10nH +-10% 2.8W-mmX3.4LG-mm	09891	KL32TE010K
L723	9100-0539	1	INDUCTOR RF-CH-MLD 10uH +-5%	03273	15M102J
L801	9100-2252	1	INDUCTOR RF-CH-MLD 270nH +-10%	05524	IM-2 .27UH 10%
L802	9100-2252	1	INDUCTOR RF-CH-MLD 270nH +-10%	05524	IM-2 .27UH 10%
L803	9100-2256	1	INDUCTOR RF-CH-MLD 560nH +-10%	03273	10M560K
L804	9100-2256	1	INDUCTOR RF-CH-MLD 560nH +-10%	03273	10M560K
L805	9100-2256	1	INDUCTOR RF-CH-MLD 560nH +-10%	03273	10M560K
L806	9100-0539	1	INDUCTOR RF-CH-MLD 10uH +-5%	03273	15M102J
L807	9140-1195	1	INDUCTOR 15nH +-10% 2.8W-mmX3.4LG-mm	06352	NL322522T-015K
L808	9140-1201	1	INDUCTOR 39nH +-5% 2.8W-mmX3.4LG-mm Q=25	06352	NL322522T-039J
L809	9100-4982	1	TRANSFORMER-SMALL SIGNAL SMT; PRIMARY	01886	M1590-B
L810	9140-1199	1	INDUCTOR 27nH +-10% 2.8W-mmX3.4LG-mm	09891	KL32TE027K
L811	9140-1194	1	INDUCTOR 10nH +-10% 2.8W-mmX3.4LG-mm	09891	KL32TE010K
L812	9140-1203	1	INDUCTOR 56nH +-5% 2.8W-mmX3.4LG-mm Q=26	06352	NL322522T-056J
L813	9140-1199	1	INDUCTOR 27nH +-10% 2.8W-mmX3.4LG-mm	09891	KL32TE027K
L814	9140-1195	1	INDUCTOR 15nH +-10% 2.8W-mmX3.4LG-mm	06352	NL322522T-015K
L815	9140-1100	1	INDUCTOR 330nH +-5% 2.8W-mmX3.4LG-mm	09891	KL32TER33J
L816	9140-1100	1	INDUCTOR 330nH +-5% 2.8W-mmX3.4LG-mm	09891	KL32TER33J
L817	9140-1194	1	INDUCTOR 10nH +-10% 2.8W-mmX3.4LG-mm	09891	KL32TE010K
L818	9140-1203	1	INDUCTOR 56nH +-5% 2.8W-mmX3.4LG-mm Q=26	06352	NL322522T-056J
L819	9140-1199	1	INDUCTOR 27nH +-10% 2.8W-mmX3.4LG-mm	09891	KL32TE027K

**Indicates factory-selected value*

CLIP 08563-60134 17

Scans by ArtekMedia => 2009

HP Part Number 08563-60134
Radio Frequency (continued)

Reference Designator	HP Part Number	Qty	Description	Mfr Code	Mfr Part Number
L901	9140-0738	1	INDUCTOR 100uH .6W-INX.7LG-IN	01869	52405
L902	9140-0738	1	INDUCTOR 100uH .6W-INX.7LG-IN	01869	52405
L903	9140-0738	1	INDUCTOR 100uH .6W-INX.7LG-IN	01869	52405
L904	9140-0738	1	INDUCTOR 100uH .6W-INX.7LG-IN	01869	52405
MP3	5002-0631	1	BRACE-RF BD	28480	5002-0631
MP4	5021-6735	1	SHIELD-TOP REF	28480	5021-6735
MP5	5021-6736	1	SHIELD-BOT REF	28480	5021-6736
MP6	5021-6739	1	SHLD-TOP SIGPATH	28480	5021-6739
MP7	5022-3681	1	SHLD-BOT SIGPATH	28480	5022-3681
MP8	5022-0047	1	SHLD-TOP SYNTHZR	28480	5022-0047
MP9	5022-0046	1	SHLD-BOT SYNTHZR	28480	5022-0046
MP10	1200-0173	1	INSULATOR-XSTR DAP-GL	14283	A-10001 DAP
MP12	1200-0173	1	INSULATOR-XSTR DAP-GL	14283	A-10001 DAP
MP13	1200-0173	1	INSULATOR-XSTR DAP-GL	14283	A-10001 DAP
MP14	1200-0173	1	INSULATOR-XSTR DAP-GL	14283	A-10001 DAP
MP15	1200-0173	1	INSULATOR-XSTR DAP-GL	14283	A-10001 DAP
MP16	1200-0173	1	INSULATOR-XSTR DAP-GL	14283	A-10001 DAP
MP21	8160-0768	1	SHIELD PHOSHER BRONZE; SATIN-TIN FINISH	03647	0097-860-08 (FORMED)
MP22	0515-0367	1	SCREW-MACHINE ASSEMBLY M2.5 X 0.45	05610	0515-0367
MP23	0515-0367	1	SCREW-MACHINE ASSEMBLY M2.5 X 0.45	05610	0515-0367
MP24	0515-0367	1	SCREW-MACHINE ASSEMBLY M2.5 X 0.45	05610	0515-0367
MP31	5041-7283	1	CLIP-LONG	28480	5041-7283
MP32	0624-0099	1	SCREW-TPG 4-40 .375-IN-LG PAN-HD-POZI	04525	0624-0099
MP33	1400-0866	1	CLAMP-CABLE .187-DIA .25-WD NYL	07158	C61332AA
MP35	0515-1934	1	SCREW-MACHINE ASSEMBLY M2.5 X 0.45	05610	0515-1934
MP36	0515-1934	1	SCREW-MACHINE ASSEMBLY M2.5 X 0.45	05610	0515-1934
P700	1258-0209	1	JUMPER-REMOVABLE 2 POSITION; .250 IN	01380	382811-6
Q200	BB1854-1175KI	1		28480	BB1854-1175KI
Q201	1854-1278	1	TRANSISTOR NPN SI TO-261AA (SOT-223)	02910	BFG97
Q202	LTB1854-0345KI	1		28480	LTB1854-0345KI
Q203	1854-1354	1	TRANSISTOR NPN SI PD=300MW FT=4.5GHZ	02910	BFG93A
Q302	1854-1028	1	TRANSISTOR NPN SI TO-92 PD=625MW	02237	2N3904
Q303	1854-1028	1	TRANSISTOR NPN SI TO-92 PD=625MW	02237	2N3904
Q304	1854-0378	1	TRANSISTOR NPN 2N5109 SI TO-39 PD=1 WATT	02688	2N5109
Q305	1854-1426	1	TRANSISTOR NPN 2N5109 SI TO-39 PD=1000MW	11699	2N5109

**HP Part Number 08563-60134
Radio Frequency (continued)**

Reference Designator	HP Part Number	Qty	Description	Mfr Code	Mfr Part Number
Q400	1854-1278	1	TRANSISTOR NPN SI TO-261AA (SOT-223)	02910	BFG97
Q401	1854-1354	1	TRANSISTOR NPN SI PD=300MW FT=4.5GHZ	02910	BFG93A
Q402	BB1854-0477KI	1		28480	BB1854-0477KI
Q403	08563-50001	1		28480	08563-50001
Q404	08563-50001	1		28480	08563-50001
Q405	1853-0612	1	TRANSISTOR PNP SI SOT-23 (TO-236AB)	02910	BFT93
Q406	1853-0612	1	TRANSISTOR PNP SI SOT-23 (TO-236AB)	02910	BFT93
Q407	1854-1354	1	TRANSISTOR NPN SI PD=300MW FT=4.5GHZ	02910	BFG93A
Q408	1854-1354	1	TRANSISTOR NPN SI PD=300MW FT=4.5GHZ	02910	BFG93A
Q501	1854-1278	1	TRANSISTOR NPN SI TO-261AA (SOT-223)	02910	BFG97
Q502	1854-1278	1	TRANSISTOR NPN SI TO-261AA (SOT-223)	02910	BFG97
Q503	1854-1278	1	TRANSISTOR NPN SI TO-261AA (SOT-223)	02910	BFG97
Q504	1854-1354	1	TRANSISTOR NPN SI PD=300MW FT=4.5GHZ	02910	BFG93A
Q505	1854-1354	1	TRANSISTOR NPN SI PD=300MW FT=4.5GHZ	02910	BFG93A
Q506	1854-1201	1	TRANSISTOR NPN SI SOT-23 (TO-236AB)	02037	MMBR5031LT1
Q507	1854-1054	1	TRANSISTOR NPN SI SOT-89 (TO-243AB)	02910	BFQ19
Q604	1853-0724	1	TRANSISTOR PNP SI TO-261AA (SOT-223)	02910	PZT2907A
Q605	1854-0378	1	TRANSISTOR NPN 2N5109 SI TO-39 PD=1 WATT	02688	2N5109
Q606	1854-0378	1	TRANSISTOR NPN 2N5109 SI TO-39 PD=1 WATT	02688	2N5109
Q607	1854-0378	1	TRANSISTOR NPN 2N5109 SI TO-39 PD=1 WATT	02688	2N5109
Q608	1854-0378	1	TRANSISTOR NPN 2N5109 SI TO-39 PD=1 WATT	02688	2N5109
Q609	1853-0567	1	TRANSISTOR PNP SI SOT-23 (TO-236AB)	12125	KST3906
Q610	1854-1032	1	TRANSISTOR NPN SI PD=1.25W	02688	MRF581
Q700	1854-1094	1	TRANSISTOR NPN SI SOT-89 (TO-243AB)	02910	PXT2222A
Q701	1854-1304	1	TRANSISTOR NPN SI CHIP PD=580MW	03074	NE85635
Q702	1853-0609	1	TRANSISTOR PNP SI SOT-89 (TO-243AB)	02910	PXT2907A
Q703	1854-1304	1	TRANSISTOR NPN SI CHIP PD=580MW	03074	NE85635
Q801	1855-0974	1	TRANSISTOR GAAS FET GALLIUM ARSENIDE	01542	ATF-10236
Q802	1854-1054	1	TRANSISTOR NPN SI SOT-89 (TO-243AB)	02910	BFQ19
Q803	1854-1054	1	TRANSISTOR NPN SI SOT-89 (TO-243AB)	02910	BFQ19
Q804	1854-1054	1	TRANSISTOR NPN SI SOT-89 (TO-243AB)	02910	BFQ19
Q805	1854-1054	1	TRANSISTOR NPN SI SOT-89 (TO-243AB)	02910	BFQ19
R100	0698-7242	1	RESISTOR 1.78K +-1% .05W TF TC=0+-100	06424	NK3H.05W1%+/-100PPM1781
R101	0698-7282	1	RESISTOR 82.5K +-1% .05W TF TC=0+-100	06424	NK3H.05W1%+/-100PPM8252
R102	0698-7282	1	RESISTOR 82.5K +-1% .05W TF TC=0+-100	06424	NK3H.05W1%+/-100PPM8252

**Indicates factory-selected value*

CLIP 08563-60134 19

Scans by ArtekMedia => 2009

HP Part Number 08563-60134
Radio Frequency (continued)

Reference Designator	HP Part Number	Qty	Description	Mfr Code	Mfr Part Number
R103	0698-7284	1	RESISTOR 100K +-1% .05W TF TC=0+-100	05524	CMF-501003FT-1
R104	0698-7284	1	RESISTOR 100K +-1% .05W TF TC=0+-100	05524	CMF-501003FT-1
R105	0698-7282	1	RESISTOR 82.5K +-1% .05W TF TC=0+-100	06424	NK3H.05W1%+/-100PPM8252
R106	0698-7282	1	RESISTOR 82.5K +-1% .05W TF TC=0+-100	06424	NK3H.05W1%+/-100PPM8252
R108	0698-7243	1	RESISTOR 1.96K +-1% .05W TF TC=0+-100	06424	NK3H.05W1%+/-100PPM1961
R109	0698-7201	1	RESISTOR 34.8 +-1% .05W TF TC=0+-100	06424	NK3H.05W1%+/-100PPM34R8
R110	0698-7201	1	RESISTOR 34.8 +-1% .05W TF TC=0+-100	06424	NK3H.05W1%+/-100PPM34R8
R111	0698-7236	1	RESISTOR 1K +-1% .05W TF TC=0+-100	06424	NK3H.05W1%+/-100PPM1001
R112	0698-7188	1	RESISTOR 10 +-1% .05W TF TC=0+-100	06424	NK3H.05W1%+/-100PPM10R0
R113	0698-7243	1	RESISTOR 1.96K +-1% .05W TF TC=0+-100	06424	NK3H.05W1%+/-100PPM1961
R114	0698-7188	1	RESISTOR 10 +-1% .05W TF TC=0+-100	06424	NK3H.05W1%+/-100PPM10R0
R115	0698-7214	1	RESISTOR 121 +-1% .05W TF TC=0+-100	06424	NK3H.05W1%+/-100PPM121R0
R150	0698-7229	1	RESISTOR 511 +-1% .05W TF TC=0+-100	06424	NK3H.05W1%+/-100PPM511R0
R151	0698-7229	1	RESISTOR 511 +-1% .05W TF TC=0+-100	06424	NK3H.05W1%+/-100PPM511R0
R152	0698-7221	1	RESISTOR 237 +-1% .05W TF TC=0+-100	05524	CMF-502370FT-1
R153	0698-7261	1	RESISTOR 11K +-1% .05W TF TC=0+-100	05524	CMF-501102FT-1
R154	0698-7236	1	RESISTOR 1K +-1% .05W TF TC=0+-100	06424	NK3H.05W1%+/-100PPM1001
R155	0698-7229	1	RESISTOR 511 +-1% .05W TF TC=0+-100	06424	NK3H.05W1%+/-100PPM511R0
R156	0698-7228	1	RESISTOR 464 +-1% .05W TF TC=0+-100	06424	NK3H.05W1%+/-100PPM464R0
R157	0698-7212	1	RESISTOR 100 +-1% .05W TF TC=0+-100	06424	NK3H.05W1%+/-100PPM100R0
R170	0698-7260	1	RESISTOR 10K +-1% .05W TF TC=0+-100	06424	NK3H.05W1%+/-100PPM1002
R200	0698-3405	1	RESISTOR 422 +-1% .5W TF TC=0+-100	05524	CMF-654220FT-1
R201	0757-0405	1	RESISTOR 162 +-1% .125W TF TC=0+-100	06424	NK4H.125W1%+/-100PPM162R0
R202	0757-0394	1	RESISTOR 51.1 +-1% .125W TF TC=0+-100	05524	CMF-5551R1FT-1
R203	0698-7236	1	RESISTOR 1K +-1% .05W TF TC=0+-100	06424	NK3H.05W1%+/-100PPM1001
R204	0757-0398	1	RESISTOR 75 +-1% .125W TF TC=0+-100	05524	CMF-5575R0FT-1
R205	0757-0394	1	RESISTOR 51.1 +-1% .125W TF TC=0+-100	05524	CMF-5551R1FT-1
R206	0757-0180	1	RESISTOR 31.6 +-1% .125W TF TC=0+-100	06424	NK4H.125W1%+/-100PPM31R6
R207	0757-0442	1	RESISTOR 10K +-1% .125W TF TC=0+-100	05524	CMF-551002FT-1
R208	0757-0442	1	RESISTOR 10K +-1% .125W TF TC=0+-100	05524	CMF-551002FT-1
R209	0757-0280	1	RESISTOR 1K +-1% .125W TF TC=0+-100	05524	CMF-551001FT-1
R210	0757-0274	1	RESISTOR 1.21K +-1% .125W TF TC=0+-100	06424	NK4H.125W1%+/-100PPM1211
R211	0698-3429	1	RESISTOR 19.6 +-1% .125W TF TC=0+-100	05524	CMF-5519R6FT-1
R212	0757-0276	1	RESISTOR 61.9 +-1% .125W TF TC=0+-100	05524	CMF-5561R9FT-1
R213	0757-0276	1	RESISTOR 61.9 +-1% .125W TF TC=0+-100	05524	CMF-5561R9FT-1

**HP Part Number 08563-60134
Radio Frequency (continued)**

Reference Designator	HP Part Number	Qty	Description	Mfr Code	Mfr Part Number
R214	0757-0442	1	RESISTOR 10K +-1% .125W TF TC=0+-100	05524	CMF-551002FT-1
R215	0698-7195	1	RESISTOR 19.6 +-1% .05W TF TC=0+-100	06424	NK3H.05W1%+/-100PPM19R6
R216	0757-0416	1	RESISTOR 511 +-1% .125W TF TC=0+-100	06424	NK4H.125W1%+/-100PPM511R0
R217	0757-0317	1	RESISTOR 1.33K +-1% .125W TF TC=0+-100	05524	CMF-551331FT-1
R218	0757-0394	1	RESISTOR 51.1 +-1% .125W TF TC=0+-100	05524	CMF-5551R1FT-1
R219	0757-0401	1	RESISTOR 100 +-1% .125W TF TC=0+-100	05524	CMF-551000FT-1
R220	0757-0442	1	RESISTOR 10K +-1% .125W TF TC=0+-100	05524	CMF-551002FT-1
R221	0757-0401	1	RESISTOR 100 +-1% .125W TF TC=0+-100	05524	CMF-551000FT-1
R222	0698-7224	1	RESISTOR 316 +-1% .05W TF TC=0+-100	06424	NK3H.05W1%+/-100PPM316R0
R223	0757-0401	1	RESISTOR 100 +-1% .125W TF TC=0+-100	05524	CMF-551000FT-1
R224	0757-0401	1	RESISTOR 100 +-1% .125W TF TC=0+-100	05524	CMF-551000FT-1
R225	0757-0397	1	RESISTOR 68.1 +-1% .125W TF TC=0+-100	06424	NK4H.125W1%+/-100PPM68R1
R226	0757-0428	1	RESISTOR 1.62K +-1% .125W TF TC=0+-100	05524	CMF-551621FT-1
R227	0757-0428	1	RESISTOR 1.62K +-1% .125W TF TC=0+-100	05524	CMF-551621FT-1
R228	0698-3132	1	RESISTOR 261 +-1% .125W TF TC=0+-100	06424	NK4H.125W1%+/-100PPM261R0
R229	0698-3434	1	RESISTOR 34.8 +-1% .125W TF TC=0+-100	06424	NK4H.125W1%+/-100PPM34R8
R230	0757-0442	1	RESISTOR 10K +-1% .125W TF TC=0+-100	05524	CMF-551002FT-1
R231	0698-3440	1	RESISTOR 196 +-1% .125W TF TC=0+-100	05524	CMF-551960FT-1
R232	0757-0401	1	RESISTOR 100 +-1% .125W TF TC=0+-100	05524	CMF-551000FT-1
R233	0757-0401	1	RESISTOR 100 +-1% .125W TF TC=0+-100	05524	CMF-551000FT-1
R234	0757-0397	1	RESISTOR 68.1 +-1% .125W TF TC=0+-100	06424	NK4H.125W1%+/-100PPM68R1
R235	0757-0442	1	RESISTOR 10K +-1% .125W TF TC=0+-100	05524	CMF-551002FT-1
R236	0757-0276	1	RESISTOR 61.9 +-1% .125W TF TC=0+-100	05524	CMF-5561R9FT-1
R238	0698-7196	1	RESISTOR 21.5 +-1% .05W TF TC=0+-100	05524	CMF-5021R5FT-1
R301	0698-3442	1	RESISTOR 237 +-1% .125W TF TC=0+-100	05524	CMF-552370FT-1
R302	0757-0398	1	RESISTOR 75 +-1% .125W TF TC=0+-100	05524	CMF-5575R0FT-1
R303	0698-7209	1	RESISTOR 75 +-1% .05W TF TC=0+-100	06424	NK3H.05W1%+/-100PPM75R0
R304	0698-0084	1	RESISTOR 2.15K +-1% .125W TF TC=0+-100	06424	NK4H.125W1%+/-100PPM2151
R305	0698-7244	1	RESISTOR 2.15K +-1% .05W TF TC=0+-100	05524	CMF-502151FT-1
R306	0757-0394	1	RESISTOR 51.1 +-1% .125W TF TC=0+-100	05524	CMF-5551R1FT-1
R307	0698-3442	1	RESISTOR 237 +-1% .125W TF TC=0+-100	05524	CMF-552370FT-1
R310	0698-3439	1	RESISTOR 178 +-1% .125W TF TC=0+-100	05524	CMF-551780FT-1
R311	0698-3439	1	RESISTOR 178 +-1% .125W TF TC=0+-100	05524	CMF-551780FT-1
R312	0698-0084	1	RESISTOR 2.15K +-1% .125W TF TC=0+-100	06424	NK4H.125W1%+/-100PPM2151
R313	0698-0084	1	RESISTOR 2.15K +-1% .125W TF TC=0+-100	06424	NK4H.125W1%+/-100PPM2151

**Indicates factory-selected value*

CLIP 08563-60134 21

Scans by ArtekMedia => 2009

HP Part Number 08563-60134
Radio Frequency (continued)

Reference Designator	HP Part Number	Qty	Description	Mfr Code	Mfr Part Number
R315	0698-0084	1	RESISTOR 2.15K +-1% .125W TF TC=0+-100	06424	NK4H.125W1%+/-100PPM2151
R316	0757-0401	1	RESISTOR 100 +-1% .125W TF TC=0+-100	05524	CMF-551000FT-1
R317	0698-3442	1	RESISTOR 237 +-1% .125W TF TC=0+-100	05524	CMF-552370FT-1
R318	0757-0394	1	RESISTOR 51.1 +-1% .125W TF TC=0+-100	05524	CMF-5551R1FT-1
R319	0698-0084	1	RESISTOR 2.15K +-1% .125W TF TC=0+-100	06424	NK4H.125W1%+/-100PPM2151
R320	0699-1421	1	RESISTOR 178 +-1% .125W TKF TC=0+-100	09891	RK73H2BT1780F
R321	0699-1364	1	RESISTOR 68.1 +-1% .125W TKF TC=0+-100	05524	CRCW120668R1F
R322	0699-1421	1	RESISTOR 178 +-1% .125W TKF TC=0+-100	09891	RK73H2BT1780F
R323	0699-1364	1	RESISTOR 68.1 +-1% .125W TKF TC=0+-100	05524	CRCW120668R1F
R324	0699-1421	1	RESISTOR 178 +-1% .125W TKF TC=0+-100	09891	RK73H2BT1780F
R325	0699-1364	1	RESISTOR 68.1 +-1% .125W TKF TC=0+-100	05524	CRCW120668R1F
R400	0757-0401	1	RESISTOR 100 +-1% .125W TF TC=0+-100	05524	CMF-551000FT-1
R401	0757-0401	1	RESISTOR 100 +-1% .125W TF TC=0+-100	05524	CMF-551000FT-1
R402	0757-0397	1	RESISTOR 68.1 +-1% .125W TF TC=0+-100	06424	NK4H.125W1%+/-100PPM68R1
R403	0757-0428	1	RESISTOR 1.62K +-1% .125W TF TC=0+-100	05524	CMF-551621FT-1
R404	0698-3440	1	RESISTOR 196 +-1% .125W TF TC=0+-100	05524	CMF-551960FT-1
R405	0757-0428	1	RESISTOR 1.62K +-1% .125W TF TC=0+-100	05524	CMF-551621FT-1
R406	0698-3132	1	RESISTOR 261 +-1% .125W TF TC=0+-100	06424	NK4H.125W1%+/-100PPM261R0
R407	0698-3434	1	RESISTOR 34.8 +-1% .125W TF TC=0+-100	06424	NK4H.125W1%+/-100PPM34R8
R408	0757-0401	1	RESISTOR 100 +-1% .125W TF TC=0+-100	05524	CMF-551000FT-1
R409	0757-0401	1	RESISTOR 100 +-1% .125W TF TC=0+-100	05524	CMF-551000FT-1
R410	0757-0397	1	RESISTOR 68.1 +-1% .125W TF TC=0+-100	06424	NK4H.125W1%+/-100PPM68R1
R411	0698-3438	1	RESISTOR 147 +-1% .125W TF TC=0+-100	05524	CMF-551470FT-1
R412	0757-0419	1	RESISTOR 681 +-1% .25W TF TC=0+-100	06424	NK4H.25W1%+/-100PPM681
R413	0757-0400	1	RESISTOR 90.9 +-1% .125W TF TC=0+-100	05524	CMF-5590R9FT-1
R414	0757-0400	1	RESISTOR 90.9 +-1% .125W TF TC=0+-100	05524	CMF-5590R9FT-1
R415	0698-3437	1	RESISTOR 133 +-1% .125W TF TC=0+-100	05524	CMF-551330FT-1
R416	0698-3437	1	RESISTOR 133 +-1% .125W TF TC=0+-100	05524	CMF-551330FT-1
R417	0698-4037	1	RESISTOR 46.4 +-1% .125W TF TC=0+-100	06424	NK4H.125W1%+/-100PPM46R4
R420	0698-7220	1	RESISTOR 215 +-1% .05W TF TC=0+-100	06424	NK3H.05W1%+/-100PPM215R0
R421	0698-3443	1	RESISTOR 287 +-1% .125W TF TC=0+-100	06424	NK4H.125W1%+/-100PPM287R0
R422	0698-3443	1	RESISTOR 287 +-1% .125W TF TC=0+-100	06424	NK4H.125W1%+/-100PPM287R0
R423	0698-3443	1	RESISTOR 287 +-1% .125W TF TC=0+-100	06424	NK4H.125W1%+/-100PPM287R0
R424	0698-7222	1	RESISTOR 261 +-1% .05W TF TC=0+-100	06424	NK3H.05W1%+/-100PPM261R0
R425	0698-7230	1	RESISTOR 562 +-1% .05W TF TC=0+-100	05524	CMF-555620FT-1

**HP Part Number 08563-60134
Radio Frequency (continued)**

Reference Designator	HP Part Number	Qty	Description	Mfr Code	Mfr Part Number
R426	0698-3442	1	RESISTOR 237 +-1% .125W TF TC=0+-100	05524	CMF-552370FT-1
R427	0698-3445	1	RESISTOR 348 +-1% .125W TF TC=0+-100	06424	NK4H.125W1%+/-100PPM348R0
R428	0698-3445	1	RESISTOR 348 +-1% .125W TF TC=0+-100	06424	NK4H.125W1%+/-100PPM348R0
R429	0698-7196	1	RESISTOR 21.5 +-1% .05W TF TC=0+-100	05524	CMF-5021R5FT-1
R430	0698-7260	1	RESISTOR 10K +-1% .05W TF TC=0+-100	06424	NK3H.05W1%+/-100PPM1002
R431	0698-7260	1	RESISTOR 10K +-1% .05W TF TC=0+-100	06424	NK3H.05W1%+/-100PPM1002
R432	0698-7260	1	RESISTOR 10K +-1% .05W TF TC=0+-100	06424	NK3H.05W1%+/-100PPM1002
R433	0698-7260	1	RESISTOR 10K +-1% .05W TF TC=0+-100	06424	NK3H.05W1%+/-100PPM1002
R434	0698-7260	1	RESISTOR 10K +-1% .05W TF TC=0+-100	06424	NK3H.05W1%+/-100PPM1002
R435	0698-7218	1	RESISTOR 178 +-1% .05W TF TC=0+-100	06424	NK3H.05W1%+/-100PPM178R0
R436	0757-1094	1	RESISTOR 1.47K +-1% .125W TF TC=0+-100	05524	CMF-551471FT-1
R437	0698-7218	1	RESISTOR 178 +-1% .05W TF TC=0+-100	06424	NK3H.05W1%+/-100PPM178R0
R438	0757-1094	1	RESISTOR 1.47K +-1% .125W TF TC=0+-100	05524	CMF-551471FT-1
R439	0698-7260	1	RESISTOR 10K +-1% .05W TF TC=0+-100	06424	NK3H.05W1%+/-100PPM1002
R440	0698-7260	1	RESISTOR 10K +-1% .05W TF TC=0+-100	06424	NK3H.05W1%+/-100PPM1002
R441	0698-8547	1	RESISTOR 4K +-0.5% .1W TF TC=0+-5	09454	PR1/10T54K0.5%
R442	0698-7403	1	RESISTOR 1.285K +-0.1% .125W TF TC=0+-50	05524	CMF-551R285KBT-2
R446	0698-7236	1	RESISTOR 1K +-1% .05W TF TC=0+-100	06424	NK3H.05W1%+/-100PPM1001
R447	0757-0346	1	RESISTOR 10 +-1% .125W TF TC=0+-100	06424	NK4H.125W1%+/-100PPM10R0
R448	0698-7188	1	RESISTOR 10 +-1% .05W TF TC=0+-100	06424	NK3H.05W1%+/-100PPM10R0
R449	0698-7220	1	RESISTOR 215 +-1% .05W TF TC=0+-100	06424	NK3H.05W1%+/-100PPM215R0
R450	0698-7188	1	RESISTOR 10 +-1% .05W TF TC=0+-100	06424	NK3H.05W1%+/-100PPM10R0
R451	0698-7212	1	RESISTOR 100 +-1% .05W TF TC=0+-100	06424	NK3H.05W1%+/-100PPM100R0
R452	1810-0708	1	NET-RES 5 1.5K OHM 6-PIN	05524	MSP06A01-152G
R456	0698-7260	1	RESISTOR 10K +-1% .05W TF TC=0+-100	06424	NK3H.05W1%+/-100PPM1002
R457	0698-7229	1	RESISTOR 511 +-1% .05W TF TC=0+-100	06424	NK3H.05W1%+/-100PPM511R0
R458	0698-7261	1	RESISTOR 11K +-1% .05W TF TC=0+-100	05524	CMF-501102FT-1
R459	0698-7261	1	RESISTOR 11K +-1% .05W TF TC=0+-100	05524	CMF-501102FT-1
R460	0698-7230	1	RESISTOR 562 +-1% .05W TF TC=0+-100	05524	CMF-555620FT-1
R462	0698-7260	1	RESISTOR 10K +-1% .05W TF TC=0+-100	06424	NK3H.05W1%+/-100PPM1002
R463	0698-7260	1	RESISTOR 10K +-1% .05W TF TC=0+-100	06424	NK3H.05W1%+/-100PPM1002
R464	0757-0443	1	RESISTOR 11K +-1% .125W TF TC=0+-100	05524	CMF-551102FT-1
R465	0698-3440	1	RESISTOR 196 +-1% .125W TF TC=0+-100	05524	CMF-551960FT-1
R466	0757-0394	1	RESISTOR 51.1 +-1% .125W TF TC=0+-100	05524	CMF-5551R1FT-1
R467	0698-7260	1	RESISTOR 10K +-1% .05W TF TC=0+-100	06424	NK3H.05W1%+/-100PPM1002

**Indicates factory-selected value*

CLIP 08563-60134 23

Scans by ArtekMedia => 2009

HP Part Number 08563-60134
Radio Frequency (continued)

Reference Designator	HP Part Number	Qty	Description	Mfr Code	Mfr Part Number
R468	0698-7260	1	RESISTOR 10K +-1% .05W TF TC=0+-100	06424	NK3H.05W1%+/-100PPM1002
R469	0757-0276	1	RESISTOR 61.9 +-1% .125W TF TC=0+-100	05524	CMF-5561R9FT-1
R470	0757-0416	1	RESISTOR 511 +-1% .125W TF TC=0+-100	06424	NK4H.125W1%+/-100PPM511R0
R471	0698-7210	1	RESISTOR 82.5 +-1% .05W TF TC=0+-100	06424	NK3H.05W1%+/-100PPM82R5
R472	0698-7214	1	RESISTOR 121 +-1% .05W TF TC=0+-100	06424	NK3H.05W1%+/-100PPM121R0
R473	0698-3132	1	RESISTOR 261 +-1% .125W TF TC=0+-100	06424	NK4H.125W1%+/-100PPM261R0
R474	0698-7212	1	RESISTOR 100 +-1% .05W TF TC=0+-100	06424	NK3H.05W1%+/-100PPM100R0
R475	0698-7207	1	RESISTOR 61.9 +-1% .05W TF TC=0+-100	06424	NK3H.05W1%+/-100PPM61R9
R476	0698-7222	1	RESISTOR 261 +-1% .05W TF TC=0+-100	06424	NK3H.05W1%+/-100PPM261R0
R477	0698-7207	1	RESISTOR 61.9 +-1% .05W TF TC=0+-100	06424	NK3H.05W1%+/-100PPM61R9
R478	0698-7233	1	RESISTOR 750 +-1% .05W TF TC=0+-100	06424	NK3H.05W1%+/-100PPM750R0
R479	0698-7221	1	RESISTOR 237 +-1% .05W TF TC=0+-100	05524	CMF-502370FT-1
R480	0698-3445	1	RESISTOR 348 +-1% .125W TF TC=0+-100	06424	NK4H.125W1%+/-100PPM348R0
R481	0698-7240	1	RESISTOR 1.47K +-1% .05W TF TC=0+-100	06424	NK3H.05W1%+/-100PPM1471
R482	0698-7225	1	RESISTOR 348 +-1% .05W TF TC=0+-100	06424	NK3H.05W1%+/-100PPM348R0
R483	0698-7188	1	RESISTOR 10 +-1% .05W TF TC=0+-100	06424	NK3H.05W1%+/-100PPM10R0
R484	0698-7236	1	RESISTOR 1K +-1% .05W TF TC=0+-100	06424	NK3H.05W1%+/-100PPM1001
R486	0757-0442	1	RESISTOR 10K +-1% .125W TF TC=0+-100	05524	CMF-551002FT-1
R487	0757-0442	1	RESISTOR 10K +-1% .125W TF TC=0+-100	05524	CMF-551002FT-1
R488	0757-0442	1	RESISTOR 10K +-1% .125W TF TC=0+-100	05524	CMF-551002FT-1
R489	0757-0400	1	RESISTOR 90.9 +-1% .125W TF TC=0+-100	05524	CMF-5590R9FT-1
R490	0757-0276	1	RESISTOR 61.9 +-1% .125W TF TC=0+-100	05524	CMF-5561R9FT-1
R491	0698-7207	1	RESISTOR 61.9 +-1% .05W TF TC=0+-100	06424	NK3H.05W1%+/-100PPM61R9
R492	0698-7208	1	RESISTOR 68.1 +-1% .05W TF TC=0+-100	05524	CMF-5068R1FT-1
R493	0698-3445	1	RESISTOR 348 +-1% .125W TF TC=0+-100	06424	NK4H.125W1%+/-100PPM348R0
R494	0698-7260	1	RESISTOR 10K +-1% .05W TF TC=0+-100	06424	NK3H.05W1%+/-100PPM1002
R495	0698-7260	1	RESISTOR 10K +-1% .05W TF TC=0+-100	06424	NK3H.05W1%+/-100PPM1002
R496	0698-7221	1	RESISTOR 237 +-1% .05W TF TC=0+-100	05524	CMF-502370FT-1
R501	0699-1421	1	RESISTOR 178 +-1% .125W TKF TC=0+-100	09891	RK73H2BT1780F
R502	0699-1421	1	RESISTOR 178 +-1% .125W TKF TC=0+-100	09891	RK73H2BT1780F
R503	0699-1356	1	RESISTOR 31.6 +-1% .25W TKF TC=0+-100	09891	RK73H2BT31R6F
R504	0699-1391	1	RESISTOR 10K +-1% .125W TKF TC=0+-100	05524	CRCW12061002F
R505	0699-1429	1	RESISTOR 383 +-1% .125W TKF TC=0+-100	09891	RK73H2BT3830F
R506	0699-1376	1	RESISTOR 2.15K +-1% .125W TKF TC=0+-100	09891	RK73H2BT2151F
R507	0699-1425	1	RESISTOR 261 +-1% .125W TKF TC=0+-100	00746	MCR18-F-2610

**HP Part Number 08563-60134
Radio Frequency (continued)**

Reference Designator	HP Part Number	Qty	Description	Mfr Code	Mfr Part Number
R509	0699-1361	1	RESISTOR 51.1 +-1% .125W TKF TC=0+-100	05524	CRCW120651R1F
R510	0699-1391	1	RESISTOR 10K +-1% .125W TKF TC=0+-100	05524	CRCW12061002F
R511	0699-1383	1	RESISTOR 4.22K +-1% .125W TKF TC=0+-100	00746	MCR18-F-4221
R512	0699-1432	1	RESISTOR 511 +-1% .125W TKF TC=0+-100	00746	MCR18-F-5110
R513	0699-1361	1	RESISTOR 51.1 +-1% .125W TKF TC=0+-100	05524	CRCW120651R1F
R514	0699-1361	1	RESISTOR 51.1 +-1% .125W TKF TC=0+-100	05524	CRCW120651R1F
R515	0699-1422	1	RESISTOR 196 +-1% .125W TKF TC=0+-100	09891	RK73H2BT1960F
R516	0699-1370	1	RESISTOR 1.21K +-1% .125W TKF TC=0+-100	05524	CRCW12061211F
R517	0699-1427	1	RESISTOR 316 +-1% .125W TKF TC=0+-100	09891	RK73H2BT3160F
R518	0699-1344	1	RESISTOR 10 +-1% .125W TKF TC=0+-100	09891	RK73H2BT10R0F
R519	0699-1391	1	RESISTOR 10K +-1% .125W TKF TC=0+-100	05524	CRCW12061002F
R520	0699-2776	1	RESISTOR 1 +-10% .125W TKF TC=0+-500	00746	MCR18-K-010
R521	0699-1344	1	RESISTOR 10 +-1% .125W TKF TC=0+-100	09891	RK73H2BT10R0F
R522	0699-1365	1	RESISTOR 75 +-1% .125W TKF TC=0+-100	05524	CRCW120675R0F
R523	0699-1377	1	RESISTOR 2.37K +-1% .125W TKF TC=0+-100	09891	RK73H2BT2371F
R524	0699-1418	1	RESISTOR 133 +-1% .125W TKF TC=0+-100	05524	CRCW12061330F
R525	0699-1318	1	RESISTOR 1K +-1% .125W TKF TC=0+-100	00746	MCR18-F-1001
R526	0757-0424	1	RESISTOR 1.1K +-1% .125W TF TC=0+-100	06424	NK4H.125W1%+/-100PPM1101
R527	0757-0418	1	RESISTOR 619 +-1% .125W TF TC=0+-100	05524	CMF-556190FT-1
R528	0699-1422	1	RESISTOR 196 +-1% .125W TKF TC=0+-100	09891	RK73H2BT1960F
R529	0699-1391	1	RESISTOR 10K +-1% .125W TKF TC=0+-100	05524	CRCW12061002F
R530	0757-0180	1	RESISTOR 31.6 +-1% .125W TF TC=0+-100	06424	NK4H.125W1%+/-100PPM31R6
R531	0757-0405	1	RESISTOR 162 +-1% .125W TF TC=0+-100	06424	NK4H.125W1%+/-100PPM162R0
R532	0757-0405	1	RESISTOR 162 +-1% .125W TF TC=0+-100	06424	NK4H.125W1%+/-100PPM162R0
R533	0699-1344	1	RESISTOR 10 +-1% .125W TKF TC=0+-100	09891	RK73H2BT10R0F
R534	0757-0442	1	RESISTOR 10K +-1% .125W TF TC=0+-100	05524	CMF-551002FT-1
R535	0698-3447	1	RESISTOR 422 +-1% .125W TF TC=0+-100	05524	CMF-554220FT-1
R536	0698-3438	1	RESISTOR 147 +-1% .125W TF TC=0+-100	05524	CMF-551470FT-1
R537	0698-0084	1	RESISTOR 2.15K +-1% .125W TF TC=0+-100	06424	NK4H.125W1%+/-100PPM2151
R538	0698-3132	1	RESISTOR 261 +-1% .125W TF TC=0+-100	06424	NK4H.125W1%+/-100PPM261R0
R539	0699-1415	1	RESISTOR 100 +-1% .125W TKF TC=0+-100	05524	CRCW12061000F
R540	0698-3443	1	RESISTOR 287 +-1% .125W TF TC=0+-100	06424	NK4H.125W1%+/-100PPM287R0
R541	0698-7188	1	RESISTOR 10 +-1% .05W TF TC=0+-100	06424	NK3H.05W1%+/-100PPM10R0
R543	0698-3443	1	RESISTOR 287 +-1% .125W TF TC=0+-100	06424	NK4H.125W1%+/-100PPM287R0
R544	0757-0294	1	RESISTOR 17.8 +-1% .125W TF TC=0+-100	05524	CMF-5517R8FT-1

**Indicates factory-selected value*

CLIP 08563-60134 25

Scans by ArtekMedia => 2009

HP Part Number 08563-60134
Radio Frequency (continued)

Reference Designator	HP Part Number	Qty	Description	Mfr Code	Mfr Part Number
R545	0698-3444	1	RESISTOR 316 +-1% .125W TF TC=0+-100	06424	NK4H.125W1%+/-100PPM316R0
R546	0698-0085	1	RESISTOR 2.61K +-1% .25W TF TC=0+-100	05524	CMF-552611FT-1
R547	0757-0416	1	RESISTOR 511 +-1% .125W TF TC=0+-100	06424	NK4H.125W1%+/-100PPM511R0
R548	0757-0442	1	RESISTOR 10K +-1% .125W TF TC=0+-100	05524	CMF-551002FT-1
R549	0757-0398	1	RESISTOR 75 +-1% .125W TF TC=0+-100	05524	CMF-5575R0FT-1
R550	0757-0401	1	RESISTOR 100 +-1% .125W TF TC=0+-100	05524	CMF-551000FT-1
R551	0757-0403	1	RESISTOR 121 +-1% .125W TF TC=0+-100	05524	CMF-551210FT-1
R552	0757-0394	1	RESISTOR 51.1 +-1% .125W TF TC=0+-100	05524	CMF-5551R1FT-1
R553	0757-0416	1	RESISTOR 511 +-1% .125W TF TC=0+-100	06424	NK4H.125W1%+/-100PPM511R0
R554	0757-0280	1	RESISTOR 1K +-1% .125W TF TC=0+-100	05524	CMF-551001FT-1
R555	0757-0465	1	RESISTOR 100K +-1% .125W TF TC=0+-100	05524	CMF-551003FT-1
R556	0757-0442	1	RESISTOR 10K +-1% .125W TF TC=0+-100	05524	CMF-551002FT-1
R557	0757-0416	1	RESISTOR 511 +-1% .125W TF TC=0+-100	06424	NK4H.125W1%+/-100PPM511R0
R558	0757-0401	1	RESISTOR 100 +-1% .125W TF TC=0+-100	05524	CMF-551000FT-1
R561	2100-3091	1	RESISTOR-TRMR 2K 10% TKF TOP-ADJ 17-TRN	04568	67WR
R562	0698-3154	1	RESISTOR 4.22K +-1% .125W TF TC=0+-100	05524	CMF-554221FT-1
R563	0698-6360	1	RESISTOR 10K +-0.1% .125W TF TC=0+-25	05524	CMF-551002BT-9
R564	0698-3454	1	RESISTOR 215K +-1% .125W TF TC=0+-100	06424	NK4H.125W1%+/-100PPM2153
R565	0757-0405	1	RESISTOR 162 +-1% .125W TF TC=0+-100	06424	NK4H.125W1%+/-100PPM162R0
R566	0698-0082	1	RESISTOR 464 +-1% .125W TF TC=0+-100	06424	NK4H.125W1%+/-100PPM464R0
R567	0699-1365	1	RESISTOR 75 +-1% .125W TKF TC=0+-100	05524	CRCW120675R0F
R568	0699-1417	1	RESISTOR 121 +-1% .125W TKF TC=0+-100	09891	RK73H2BT1210F
R569	0699-1365	1	RESISTOR 75 +-1% .125W TKF TC=0+-100	05524	CRCW120675R0F
R570	0699-1382	1	RESISTOR 3.83K +-1% .125W TKF TC=0+-100	05524	CRCW12063831F
R571	0699-1358	1	RESISTOR 38.3 +-1% .125W TKF TC=0+-100	09891	RK73H2BT38R3F
R572	0699-1434	1	RESISTOR 619 +-1% .125W TKF TC=0+-100	05524	CRCW12061960F
R573	0699-1389	1	RESISTOR 8.25K +-1% .125W TKF TC=0+-100	05524	CRCW12068251F
R574	0699-1388	1	RESISTOR 7.5K +-1% .125W TKF TC=0+-100	05524	CRCW12067501F
R576	0699-1371	1	RESISTOR 1.33K +-1% .125W TKF TC=0+-100	05524	CRCW12061331F
R577	0699-1371	1	RESISTOR 1.33K +-1% .125W TKF TC=0+-100	05524	CRCW12061331F
R578	0699-1371	1	RESISTOR 1.33K +-1% .125W TKF TC=0+-100	05524	CRCW12061331F
R579	0699-1371	1	RESISTOR 1.33K +-1% .125W TKF TC=0+-100	05524	CRCW12061331F
R580	0699-1320	1	RESISTOR 19.6K +-1% .125W TKF TC=0+-100	09891	RK73H2BT1962F
R581	0699-1320	1	RESISTOR 19.6K +-1% .125W TKF TC=0+-100	09891	RK73H2BT1962F
R582	0699-1391	1	RESISTOR 10K +-1% .125W TKF TC=0+-100	05524	CRCW12061002F

**HP Part Number 08563-60134
Radio Frequency (continued)**

Reference Designator	HP Part Number	Qty	Description	Mfr Code	Mfr Part Number
R583	0699-1380	1	RESISTOR 3.16K +-1% .125W TKF TC=0+-100	05524	CRCW12063161F
R584	0699-1391	1	RESISTOR 10K +-1% .125W TKF TC=0+-100	05524	CRCW12061002F
R585	0699-1370	1	RESISTOR 1.21K +-1% .125W TKF TC=0+-100	05524	CRCW12061211F
R586	0698-3394	1	RESISTOR 31.6 +-1% .5W TF TC=0+-100	05524	CMF-6531R6FT-1
R587	0699-1421	1	RESISTOR 178 +-1% .125W TKF TC=0+-100	09891	RK73H2BT1780F
R588	0699-1356	1	RESISTOR 31.6 +-1% .25W TKF TC=0+-100	09891	RK73H2BT31R6F
R589	0699-1421	1	RESISTOR 178 +-1% .125W TKF TC=0+-100	09891	RK73H2BT1780F
R590	0699-1437	1	RESISTOR 825 +-1% .125W TKF TC=0+-100	00746	MCR18-F-8250
R591	0699-1419	1	RESISTOR 147 +-1% .125W TKF TC=0+-100	05524	CRCW12061470F
R592	0699-1348	1	RESISTOR 14.7 +-1% .125W TKF TC=0+-100	05524	CRCW120614R7F
R593	0699-2064	1	RESISTOR 6.8 +-5% .125W TKF TC=0+-500	00746	MCR18-J-6R8
R595	0699-1425	1	RESISTOR 261 +-1% .125W TKF TC=0+-100	00746	MCR18-F-2610
R596	0699-1429	1	RESISTOR 383 +-1% .125W TKF TC=0+-100	09891	RK73H2BT3830F
R597	0699-1361	1	RESISTOR 51.1 +-1% .125W TKF TC=0+-100	05524	CRCW120651R1F
R621	0699-1369	1	RESISTOR 1.1K +-1% .125W TKF TC=0+-100	05524	CRCW12061101F
R622	0699-1432	1	RESISTOR 511 +-1% .125W TKF TC=0+-100	00746	MCR18-F-5110
R623	0699-1385	1	RESISTOR 5.11K +-1% .125W TKF TC=0+-100	05524	CRCW12065111F
R624	0699-1385	1	RESISTOR 5.11K +-1% .125W TKF TC=0+-100	05524	CRCW12065111F
R637	0699-1422	1	RESISTOR 196 +-1% .125W TKF TC=0+-100	09891	RK73H2BT1960F
R638	0699-1436	1	RESISTOR 750 +-1% .125W TKF TC=0+-100	09891	RK73H2BT7500F
R644	0699-1418	1	RESISTOR 133 +-1% .125W TKF TC=0+-100	05524	CRCW12061330F
R645	0699-1418	1	RESISTOR 133 +-1% .125W TKF TC=0+-100	05524	CRCW12061330F
R646	0699-1418	1	RESISTOR 133 +-1% .125W TKF TC=0+-100	05524	CRCW12061330F
R647	0699-1418	1	RESISTOR 133 +-1% .125W TKF TC=0+-100	05524	CRCW12061330F
R648	0699-1318	1	RESISTOR 1K +-1% .125W TKF TC=0+-100	00746	MCR18-F-1001
R649	0699-1318	1	RESISTOR 1K +-1% .125W TKF TC=0+-100	00746	MCR18-F-1001
R650	0699-1318	1	RESISTOR 1K +-1% .125W TKF TC=0+-100	00746	MCR18-F-1001
R652	0699-1415	1	RESISTOR 100 +-1% .125W TKF TC=0+-100	05524	CRCW12061000F
R653	0699-1432	1	RESISTOR 511 +-1% .125W TKF TC=0+-100	00746	MCR18-F-5110
R654	0699-1344	1	RESISTOR 10 +-1% .125W TKF TC=0+-100	09891	RK73H2BT10R0F
R655	0699-1376	1	RESISTOR 2.15K +-1% .125W TKF TC=0+-100	09891	RK73H2BT2151F
R656	0699-1354	1	RESISTOR 26.1 +-1% .125W TKF TC=0+-100	09891	RK73H2BT26R1F
R657	0699-1344	1	RESISTOR 10 +-1% .125W TKF TC=0+-100	09891	RK73H2BT10R0F
R658	0699-1391	1	RESISTOR 10K +-1% .125W TKF TC=0+-100	05524	CRCW12061002F
R659	0699-1383	1	RESISTOR 4.22K +-1% .125W TKF TC=0+-100	00746	MCR18-F-4221

**Indicates factory-selected value*

CLIP 08563-60134 27

Scans by ArtekMedia => 2009

HP Part Number 08563-60134
Radio Frequency (continued)

Reference Designator	HP Part Number	Qty	Description	Mfr Code	Mfr Part Number
R661	0699-1391	1	RESISTOR 10K +-1% .125W TKF TC=0+-100	05524	CRCW12061002F
R662	0699-1419	1	RESISTOR 147 +-1% .125W TKF TC=0+-100	05524	CRCW12061470F
R663	0699-1437	1	RESISTOR 825 +-1% .125W TKF TC=0+-100	00746	MCR18-F-8250
R664	0699-1361	1	RESISTOR 51.1 +-1% .125W TKF TC=0+-100	05524	CRCW120651R1F
R665	0699-1330	1	RESISTOR 100K +-1% .125W TKF TC=0+-100	00746	MCR18-F-1003
R666	0699-1385	1	RESISTOR 5.11K +-1% .125W TKF TC=0+-100	05524	CRCW12065111F
R667	0699-1391	1	RESISTOR 10K +-1% .125W TKF TC=0+-100	05524	CRCW12061002F
R668	0699-1391	1	RESISTOR 10K +-1% .125W TKF TC=0+-100	05524	CRCW12061002F
R669	0699-1379	1	RESISTOR 2.87K +-1% .125W TKF TC=0+-100	00746	MCR18-F-2871
R670	0699-1329	1	RESISTOR 6.19K +-1% .125W TKF TC=0+-100	05524	CRCW12066191F
R671	0699-1391	1	RESISTOR 10K +-1% .125W TKF TC=0+-100	05524	CRCW12061002F
R672	0699-1365	1	RESISTOR 75 +-1% .125W TKF TC=0+-100	05524	CRCW120675R0F
R673	0699-1361	1	RESISTOR 51.1 +-1% .125W TKF TC=0+-100	05524	CRCW120651R1F
R674	0699-1391	1	RESISTOR 10K +-1% .125W TKF TC=0+-100	05524	CRCW12061002F
R675	0699-1361	1	RESISTOR 51.1 +-1% .125W TKF TC=0+-100	05524	CRCW120651R1F
R676	0699-1344	1	RESISTOR 10 +-1% .125W TKF TC=0+-100	09891	RK73H2BT10R0F
R677	0699-1415	1	RESISTOR 100 +-1% .125W TKF TC=0+-100	05524	CRCW12061000F
R678	0699-1415	1	RESISTOR 100 +-1% .125W TKF TC=0+-100	05524	CRCW12061000F
R679	0699-1381	1	RESISTOR 3.48K +-1% .125W TKF TC=0+-100	05524	CRCW12063481F
R680	0699-1420	1	RESISTOR 162 +-1% .125W TKF TC=0+-100	00746	MCR18-F-1620
R681	0699-1420	1	RESISTOR 162 +-1% .125W TKF TC=0+-100	00746	MCR18-F-1620
R682	0699-1420	1	RESISTOR 162 +-1% .125W TKF TC=0+-100	00746	MCR18-F-1620
R683	0699-1391	1	RESISTOR 10K +-1% .125W TKF TC=0+-100	05524	CRCW12061002F
R684	0699-1399	1	RESISTOR 23.7K +-1% .125W TKF TC=0+-100	05524	CRCW12062372F
R685	0699-1438	1	RESISTOR 909 +-1% .125W TKF TC=0+-100	05524	CRCW12069090F
R686	0699-2064	1	RESISTOR 6.8 +-5% .125W TKF TC=0+-500	00746	MCR18-J-6R8
R687	0699-1438	1	RESISTOR 909 +-1% .125W TKF TC=0+-100	05524	CRCW12069090F
R700	0699-1374	1	RESISTOR 1.78K +-1% .125W TKF TC=0+-100	09891	RK73H2BT1781F
R701	0699-1349	1	RESISTOR 16.2 +-1% .125W TKF TC=0+-100	09891	RK73H2BT16R2F
R702	0699-1349	1	RESISTOR 16.2 +-1% .125W TKF TC=0+-100	09891	RK73H2BT16R2F
R703	0699-1349	1	RESISTOR 16.2 +-1% .125W TKF TC=0+-100	09891	RK73H2BT16R2F
R704	0699-1349	1	RESISTOR 16.2 +-1% .125W TKF TC=0+-100	09891	RK73H2BT16R2F
R705	0699-1438	1	RESISTOR 909 +-1% .125W TKF TC=0+-100	05524	CRCW12069090F
R706	0699-1369	1	RESISTOR 1.1K +-1% .125W TKF TC=0+-100	05524	CRCW12061101F
R707	0699-1429	1	RESISTOR 383 +-1% .125W TKF TC=0+-100	09891	RK73H2BT3830F

**HP Part Number 08563-60134
Radio Frequency (continued)**

Reference Designator	HP Part Number	Qty	Description	Mfr Code	Mfr Part Number
R708	0699-1423	1	RESISTOR 215 +-1% .125W TKF TC=0+-100	05524	CRCW12062150F
R709	0699-1353	1	RESISTOR 23.7 +-1% .125W TKF TC=0+-100	00746	MCR18-F-23R7
R710	0699-1423	1	RESISTOR 215 +-1% .125W TKF TC=0+-100	05524	CRCW12062150F
R711	0699-1422	1	RESISTOR 196 +-1% .125W TKF TC=0+-100	09891	RK73H2BT1960F
R712	0699-1320	1	RESISTOR 19.6K +-1% .125W TKF TC=0+-100	09891	RK73H2BT1962F
R713	0699-1370	1	RESISTOR 1.21K +-1% .125W TKF TC=0+-100	05524	CRCW12061211F
R714	0699-1422	1	RESISTOR 196 +-1% .125W TKF TC=0+-100	09891	RK73H2BT1960F
R715	0699-1421	1	RESISTOR 178 +-1% .125W TKF TC=0+-100	09891	RK73H2BT1780F
R716	0699-1363	1	RESISTOR 61.9 +-1% .125W TKF TC=0+-100	05524	CRCW120661R9F
R717	0699-1354	1	RESISTOR 26.1 +-1% .125W TKF TC=0+-100	09891	RK73H2BT26R1F
R718	0699-1416	1	RESISTOR 110 +-1% .125W TKF TC=0+-100	05524	CRCW12061100F
R719	0699-1423	1	RESISTOR 215 +-1% .125W TKF TC=0+-100	05524	CRCW12062150F
R720	0699-1423	1	RESISTOR 215 +-1% .125W TKF TC=0+-100	05524	CRCW12062150F
R721	0699-1415	1	RESISTOR 100 +-1% .125W TKF TC=0+-100	05524	CRCW12061000F
R722	0699-1362	1	RESISTOR 56.2 +-1% .125W TKF TC=0+-100	00746	MCR18-F-56R2
R723	0699-1361	1	RESISTOR 51.1 +-1% .125W TKF TC=0+-100	05524	CRCW120651R1F
R724	0699-1416	1	RESISTOR 110 +-1% .125W TKF TC=0+-100	05524	CRCW12061100F
R725	0699-1416	1	RESISTOR 110 +-1% .125W TKF TC=0+-100	05524	CRCW12061100F
R726	0699-1416	1	RESISTOR 110 +-1% .125W TKF TC=0+-100	05524	CRCW12061100F
R727	0699-1416	1	RESISTOR 110 +-1% .125W TKF TC=0+-100	05524	CRCW12061100F
R728	0699-1361	1	RESISTOR 51.1 +-1% .125W TKF TC=0+-100	05524	CRCW120651R1F
R729	0699-1416	1	RESISTOR 110 +-1% .125W TKF TC=0+-100	05524	CRCW12061100F
R730	0699-1416	1	RESISTOR 110 +-1% .125W TKF TC=0+-100	05524	CRCW12061100F
R731	0699-1416	1	RESISTOR 110 +-1% .125W TKF TC=0+-100	05524	CRCW12061100F
R732	0699-1416	1	RESISTOR 110 +-1% .125W TKF TC=0+-100	05524	CRCW12061100F
R733	0699-1364	1	RESISTOR 68.1 +-1% .125W TKF TC=0+-100	05524	CRCW120668R1F
R734	0699-1359	1	RESISTOR 42.2 +-1% .125W TKF TC=0+-100	05524	CRCW120642R2F
R735	0699-1418	1	RESISTOR 133 +-1% .125W TKF TC=0+-100	05524	CRCW12061330F
R736	0699-1359	1	RESISTOR 42.2 +-1% .125W TKF TC=0+-100	05524	CRCW120642R2F
R737	0699-1418	1	RESISTOR 133 +-1% .125W TKF TC=0+-100	05524	CRCW12061330F
R738	0699-1419	1	RESISTOR 147 +-1% .125W TKF TC=0+-100	05524	CRCW12061470F
R739	0699-1344	1	RESISTOR 10 +-1% .125W TKF TC=0+-100	09891	RK73H2BT10R0F
R740	0699-1419	1	RESISTOR 147 +-1% .125W TKF TC=0+-100	05524	CRCW12061470F
R741	0699-1415	1	RESISTOR 100 +-1% .125W TKF TC=0+-100	05524	CRCW12061000F
R801	0757-0280	1	RESISTOR 1K +-1% .125W TF TC=0+-100	05524	CMF-551001FT-1

**Indicates factory-selected value*

CLIP 08563-60134 29

Scans by ArtekMedia => 2009

HP Part Number 08563-60134
Radio Frequency (continued)

Reference Designator	HP Part Number	Qty	Description	Mfr Code	Mfr Part Number
R802	0757-0280	1	RESISTOR 1K +-1% .125W TF TC=0+-100	05524	CMF-551001FT-1
R803	0698-3439	1	RESISTOR 178 +-1% .125W TF TC=0+-100	05524	CMF-551780FT-1
R804	0698-3442	1	RESISTOR 237 +-1% .125W TF TC=0+-100	05524	CMF-552370FT-1
R805	0698-3442	1	RESISTOR 237 +-1% .125W TF TC=0+-100	05524	CMF-552370FT-1
R806	0699-1391	1	RESISTOR 10K +-1% .125W TKF TC=0+-100	05524	CRCW12061002F
R807	0699-1385	1	RESISTOR 5.11K +-1% .125W TKF TC=0+-100	05524	CRCW12065111F
R808	0699-1361	1	RESISTOR 51.1 +-1% .125W TKF TC=0+-100	05524	CRCW120651R1F
R809	0699-1361	1	RESISTOR 51.1 +-1% .125W TKF TC=0+-100	05524	CRCW120651R1F
R811	0699-1366	1	RESISTOR 82.5 +-1% .125W TKF TC=0+-100	05524	CRCW120682R5F
R812	0699-1366	1	RESISTOR 82.5 +-1% .125W TKF TC=0+-100	05524	CRCW120682R5F
R813	0699-1367	1	RESISTOR 90.9 +-1% .125W TKF TC=0+-100	05524	CRCW120690R9F
R814	0699-1367	1	RESISTOR 90.9 +-1% .125W TKF TC=0+-100	05524	CRCW120690R9F
R815	0699-1361	1	RESISTOR 51.1 +-1% .125W TKF TC=0+-100	05524	CRCW120651R1F
R816	0699-1361	1	RESISTOR 51.1 +-1% .125W TKF TC=0+-100	05524	CRCW120651R1F
R817	0699-1344	1	RESISTOR 10 +-1% .125W TKF TC=0+-100	09891	RK73H2BT10R0F
R818	0699-1318	1	RESISTOR 1K +-1% .125W TKF TC=0+-100	00746	MCR18-F-1001
R819	0699-1378	1	RESISTOR 2.61K +-1% .125W TKF TC=0+-100	09891	RK73H2BT2611F
R820	0699-1425	1	RESISTOR 261 +-1% .125W TKF TC=0+-100	00746	MCR18-F-2610
R821	0699-1318	1	RESISTOR 1K +-1% .125W TKF TC=0+-100	00746	MCR18-F-1001
R822	0699-1370	1	RESISTOR 1.21K +-1% .125W TKF TC=0+-100	05524	CRCW12061211F
R823	0699-1422	1	RESISTOR 196 +-1% .125W TKF TC=0+-100	09891	RK73H2BT1960F
R824	0699-1361	1	RESISTOR 51.1 +-1% .125W TKF TC=0+-100	05524	CRCW120651R1F
R825	0699-1361	1	RESISTOR 51.1 +-1% .125W TKF TC=0+-100	05524	CRCW120651R1F
R826	0699-1422	1	RESISTOR 196 +-1% .125W TKF TC=0+-100	09891	RK73H2BT1960F
R827	0699-1422	1	RESISTOR 196 +-1% .125W TKF TC=0+-100	09891	RK73H2BT1960F
R828	0699-1415	1	RESISTOR 100 +-1% .125W TKF TC=0+-100	05524	CRCW12061000F
R829	0699-1435	1	RESISTOR 681 +-1% .125W TKF TC=0+-100	09891	RK73H2BT6810F
R830	0699-1378	1	RESISTOR 2.61K +-1% .125W TKF TC=0+-100	09891	RK73H2BT2611F
R831	0699-1427	1	RESISTOR 316 +-1% .125W TKF TC=0+-100	09891	RK73H2BT3160F
R832	0699-1349	1	RESISTOR 16.2 +-1% .125W TKF TC=0+-100	09891	RK73H2BT16R2F
R833	0699-1427	1	RESISTOR 316 +-1% .125W TKF TC=0+-100	09891	RK73H2BT3160F
R834	0699-1344	1	RESISTOR 10 +-1% .125W TKF TC=0+-100	09891	RK73H2BT10R0F
R835	0699-1357	1	RESISTOR 34.8 +-1% .125W TKF TC=0+-100	09891	RK73H2BT34R8F
R836	0699-1357	1	RESISTOR 34.8 +-1% .125W TKF TC=0+-100	09891	RK73H2BT34R8F
R837	0699-1357	1	RESISTOR 34.8 +-1% .125W TKF TC=0+-100	09891	RK73H2BT34R8F

**HP Part Number 08563-60134
Radio Frequency (continued)**

Reference Designator	HP Part Number	Qty	Description	Mfr Code	Mfr Part Number
R838	0699-1371	1	RESISTOR 1.33K +-1% .125W TKF TC=0+-100	05524	CRCW12061331F
R839	0699-1378	1	RESISTOR 2.61K +-1% .125W TKF TC=0+-100	09891	RK73H2BT2611F
R840	0699-1361	1	RESISTOR 51.1 +-1% .125W TKF TC=0+-100	05524	CRCW120651R1F
R909	0698-7236	1	RESISTOR 1K +-1% .05W TF TC=0+-100	06424	NK3H.05W1%+/-100PPM1001
R910	0698-7236	1	RESISTOR 1K +-1% .05W TF TC=0+-100	06424	NK3H.05W1%+/-100PPM1001
R911	0698-7236	1	RESISTOR 1K +-1% .05W TF TC=0+-100	06424	NK3H.05W1%+/-100PPM1001
R912	0698-3159	1	RESISTOR 26.1K +-1% .25W TF TC=0+-100	05524	CMF-552612FT-1
R913	0757-0442	1	RESISTOR 10K +-1% .125W TF TC=0+-100	05524	CMF-551002FT-1
R914	0757-0442	1	RESISTOR 10K +-1% .125W TF TC=0+-100	05524	CMF-551002FT-1
R915	0757-0442	1	RESISTOR 10K +-1% .125W TF TC=0+-100	05524	CMF-551002FT-1
R916	0698-3440	1	RESISTOR 196 +-1% .125W TF TC=0+-100	05524	CMF-551960FT-1
R917	0698-3440	1	RESISTOR 196 +-1% .125W TF TC=0+-100	05524	CMF-551960FT-1
R918	0757-0465	1	RESISTOR 100K +-1% .125W TF TC=0+-100	05524	CMF-551003FT-1
R919	0757-0458	1	RESISTOR 51.1K +-1% .125W TF TC=0+-100	06424	NK4H.125W1%+/-100PPM5112
R920	0757-0280	1	RESISTOR 1K +-1% .125W TF TC=0+-100	05524	CMF-551001FT-1
R921	0757-0276	1	RESISTOR 61.9 +-1% .125W TF TC=0+-100	05524	CMF-5561R9FT-1
R922	0698-6360	1	RESISTOR 10K +-0.1% .125W TF TC=0+-25	05524	CMF-551002BT-9
R923	0698-6360	1	RESISTOR 10K +-0.1% .125W TF TC=0+-25	05524	CMF-551002BT-9
R924	0698-6630	1	RESISTOR 20K +-0.1% .125W TF TC=0+-25	05524	CMF-552002BT-9
R925	0757-0442	1	RESISTOR 10K +-1% .125W TF TC=0+-100	05524	CMF-551002FT-1
R926	2100-3863	1	RESISTOR-TRMR 200 10% TKF TOP-ADJ 17-TRN	03744	3299W-DM3-201
R927	0757-0442	1	RESISTOR 10K +-1% .125W TF TC=0+-100	05524	CMF-551002FT-1
R929	0757-0442	1	RESISTOR 10K +-1% .125W TF TC=0+-100	05524	CMF-551002FT-1
R930	0757-0442	1	RESISTOR 10K +-1% .125W TF TC=0+-100	05524	CMF-551002FT-1
R931	0757-0442	1	RESISTOR 10K +-1% .125W TF TC=0+-100	05524	CMF-551002FT-1
R932	0757-0442	1	RESISTOR 10K +-1% .125W TF TC=0+-100	05524	CMF-551002FT-1
R934	0698-7272	1	RESISTOR 31.6K +-1% .05W TF TC=0+-100	05524	CMF-503162FT-1
R935	0757-0465	1	RESISTOR 100K +-1% .125W TF TC=0+-100	05524	CMF-551003FT-1
R936	0699-1391	1	RESISTOR 10K +-1% .125W TKF TC=0+-100	05524	CRCW12061002F
R937	0699-1398	1	RESISTOR 21.5K +-1% .125W TKF TC=0+-100	05524	CRCW12062152F
R938	0699-1318	1	RESISTOR 1K +-1% .125W TKF TC=0+-100	00746	MCR18-F-1001
R939	0699-1437	1	RESISTOR 825 +-1% .125W TKF TC=0+-100	00746	MCR18-F-8250
R940	0699-1444	1	RESISTOR 178K +-1% .125W TKF TC=0+-100	05524	CRCW12061783F
R942	0699-1344	1	RESISTOR 10 +-1% .125W TKF TC=0+-100	09891	RK73H2BT10R0F
R943	0699-1318	1	RESISTOR 1K +-1% .125W TKF TC=0+-100	00746	MCR18-F-1001

**Indicates factory-selected value*

CLIP 08563-60134 31

Scans by ArtekMedia => 2009

HP Part Number 08563-60134
Radio Frequency (continued)

Reference Designator	HP Part Number	Qty	Description	Mfr Code	Mfr Part Number
R944	0699-2847	1	RESISTOR 2K +0.1% .125W TF TC=0+-25	01172	BLU-1206 2K .1% 25PPM
R945	0699-2847	1	RESISTOR 2K +0.1% .125W TF TC=0+-25	01172	BLU-1206 2K .1% 25PPM
R946	0699-2847	1	RESISTOR 2K +0.1% .125W TF TC=0+-25	01172	BLU-1206 2K .1% 25PPM
R947	0699-2847	1	RESISTOR 2K +0.1% .125W TF TC=0+-25	01172	BLU-1206 2K .1% 25PPM
R948	0699-2489	1	RESISTOR 10K +0.1% .125W TF TC=0+-25	01172	BLU-1206 10K .1% 25PPM
R949	0699-2489	1	RESISTOR 10K +0.1% .125W TF TC=0+-25	01172	BLU-1206 10K .1% 25PPM
R950	0699-2490	1	RESISTOR 1K +0.1% .125W TF TC=0+-25	01172	BLU-1206 1K .1% 25PPM
R951	0699-2490	1	RESISTOR 1K +0.1% .125W TF TC=0+-25	01172	BLU-1206 1K .1% 25PPM
R952	0699-1380	1	RESISTOR 3.16K +-1% .125W TKF TC=0+-100	05524	CRCW12063161F
R953	0699-2841	1	RESISTOR 9K +0.1% .125W TF TC=0+-25	02499	W1206R039001BT
R954	0699-2841	1	RESISTOR 9K +0.1% .125W TF TC=0+-25	02499	W1206R039001BT
RT901	0837-0269	1	THERMISTOR TUB WITH AXL LEADS 10K-OHM	10015	P1H103G
T100	9100-4772	1	TRANSFORMER-RF FREQ RANGE;.2 TO 600 MHz	02739	TM04-2
T400	9100-4941	1	TRANSFORMER-RF OPERATING FREQUENCY	02391	9100-4941
T501	9100-4982	1	TRANSFORMER-SMALL SIGNAL SMT; PRIMARY	01886	M1590-B
T652	9100-4444	1	TRANSFORMER-RF INPUT IMP.:50 OHMS	02739	T1-1T-X65
T700	9100-5140	1	TRANSFORMER-SMALL SIGNAL SMT, PRIMARY	01886	R4488-A
T701	9100-4982	1	TRANSFORMER-SMALL SIGNAL SMT; PRIMARY	01886	M1590-B
T702	9100-4763	1	TRANSFORMER-SMALL SIGNAL	01886	J9140-A
T703	9100-4982	1	TRANSFORMER-SMALL SIGNAL SMT; PRIMARY	01886	M1590-B
T801	9100-4981	1	TRANSFORMER-SMALL SIGNAL	01886	M1589-B
T802	9100-4983	1	TRANSFORMER-SMALL SIGNAL SMT; PRI	01886	M1591-B
T803	9100-4983	1	TRANSFORMER-SMALL SIGNAL SMT; PRI	01886	M1591-B
U100	5086-7806	1	SAMPLER AY	09507	5086-7806
U101	1826-1945	1	IC DIFF AMPL 8 PIN DIP-P	28480	1826-1945
U103	1813-0213	1	IC WIDEBAND AMPL 3-TO-39	18566	CZ8130
U104	1826-1461	1	IC OP AMP LOW-BIAS-H-IMPD 8 PIN DIP-P	01698	TL071ACP
U303	1820-5945	1	IC GATE CMOS/AC NAND QUAD 2-INP	36633	MC74AC00D
U304	1820-5945	1	IC GATE CMOS/AC NAND QUAD 2-INP	36633	MC74AC00D
U401	1826-2307	1	D/A 12-BIT 8-PLASTIC CMOS	03285	DAC-8043-HP
U402	1826-2555	1	IC OP AMP LOW-NOISE QUAD 14 PIN DIP-P	36633	MC33179P
U403	1820-7310	1	IC CNTR ECL/10E BIN SYNCHRO	36633	MC10E016FN
U404	1820-6072	1	IC CNTR CMOS/AC BIN SYNC/ASYN 16-PDIP	02237	74AC161PC
U405	1820-5655	1	IC GATE CMOS/AC OR QUAD 2-INP 14-PDIP	02237	74AC32PC
U406	1820-3081	1	IC FF CMOS/HC D-TYPE POS-EDGE-TRIG	01698	SN74HC74N

**HP Part Number 08563-60134
Radio Frequency (continued)**

Reference Designator	HP Part Number	Qty	Description	Mfr Code	Mfr Part Number
U407	1826-1369	1	IC PWR MGT-V-REF-FXD 9.95/10.05V 8 PINS	10858	LT1021DCN8-10
U408	1826-1049	1	IC OP AMP PRCN 8 PIN DIP-C	03285	OP-27GZ
U411	1826-0138	1	IC COMPARATOR GP QUAD 14 PIN DIP-P	03406	LM339N
U412	1826-0276	1	IC PWR MGT-V-REG-FXD-POS 4.8/5.2V TO-92	03406	LM78L05ACZ
U413	1826-0275	1	IC PWR MGT-V-REG-FXD-POS 11.5/12.5V	03406	LM78L12ACZ
U501	1826-2168	1	IC RF/IF AMPL HIGH-GAIN SINGLE 4 PIN	01542	HPMA-0486T15
U502	5087-8048	1	IC AC160 S COUNT	28480	5087-8048
U503	1820-5937	1	IC FF CMOS/AC D-TYPE POS-EDGE-TRIG	02237	74AC74SC.
U504	1820-5937	1	IC FF CMOS/AC D-TYPE POS-EDGE-TRIG	02237	74AC74SC.
U505	1820-5936	1	IC GATE CMOS/AC OR QUAD 2-INP	36633	MC74AC32DR2
U506	1826-1925	1	IC OP AMP LOW-NOISE SINGLE 8 PIN	03285	OP-27GS
U507	1826-0890	1	IC OP AMP GP DUAL 8 PIN DIP-P	03406	LM358AN
U508	1826-0122	1	IC PWR MGT-V-REG-FXD-POS 4.8/5.2V TO-220	03406	LM340T-5
U509	1826-1925	1	IC OP AMP LOW-NOISE SINGLE 8 PIN	03285	OP-27GS
U510	1826-1687	1	IC PWR MGT-V-REF-FXD 9.95/10.05V 8 PINS	10858	LT1021DCS8-10
U602	1813-1067	1	CLK-OSC-XTAL STD 298.000-MHZ 0.01%	02483	970-4451-0
U700	1826-2421	1	IC RF/IF AMPL 4 PIN U-WAVE-PILL	01542	MSA0505
U701	1826-2168	1	IC RF/IF AMPL HIGH-GAIN SINGLE 4 PIN	01542	HPMA-0486T15
U702	1826-2175	1	IC RF/IF AMPL SINGLE 4 PIN U-WAVE-PILL	01542	HPMA-0386T15
U902	1826-1289	1	IC COMPARATOR LP QUAD 14 PIN DIP-P	03406	LP339N
U903	1820-4465	1	IC FF CMOS/HCT D-TYPE POS-EDGE-TRIG COM	02910	74HCT377N
U904	1820-4465	1	IC FF CMOS/HCT D-TYPE POS-EDGE-TRIG COM	02910	74HCT377N
U905	1826-2239	1	D/A 12-BIT 16-PLASTIC CMOS	03285	AD7542KN
U906	1826-1165	1	IC OP AMP GP DUAL 8 PIN DIP-C	03285	OP-14EZ
U907	1826-0635	1	IC OP AMP LOW-OFS 8 PIN DIP-P	10858	OP-07CN8
U908	LTB1858-0008KI	1		28480	LTB1858-0008KI
U909	1826-2171	1	IC OP AMP LOW-BIAS-H-IMPQ QUAD 14 PIN	36633	MC33284D
VR601	1902-0951	1	DIODE-ZNR 5.1V 5% DO-35 PD=.4W TC=+.035%	36633	SZ30035-9RL
VR803	1902-0943	1	DIODE-ZNR 2.4V 5% DO-35 PD=.4W TC=-.037%	36633	SZ30035-1RL
VR804	1902-0943	1	DIODE-ZNR 2.4V 5% DO-35 PD=.4W TC=-.037%	36633	SZ30035-1RL
Y700	0410-4065	1	PRECISION BULK MODE-AT	01409	0410-4065
Z200	5021-6707	1	CABLE-RESONANT	28480	5021-6707
Z400	0955-0113	1	U-WAVE MIXER 1 GHZ MAX	02739	TFM-2-38
Z412	0955-0250	1	U-WAVE POWER SPLITTER 650 MHZ MAX	02739	PSC-2-1W
Z601	0955-0604	1	U-WAVE MIXER 1 GHZ MAX	02739	SAY-2-3

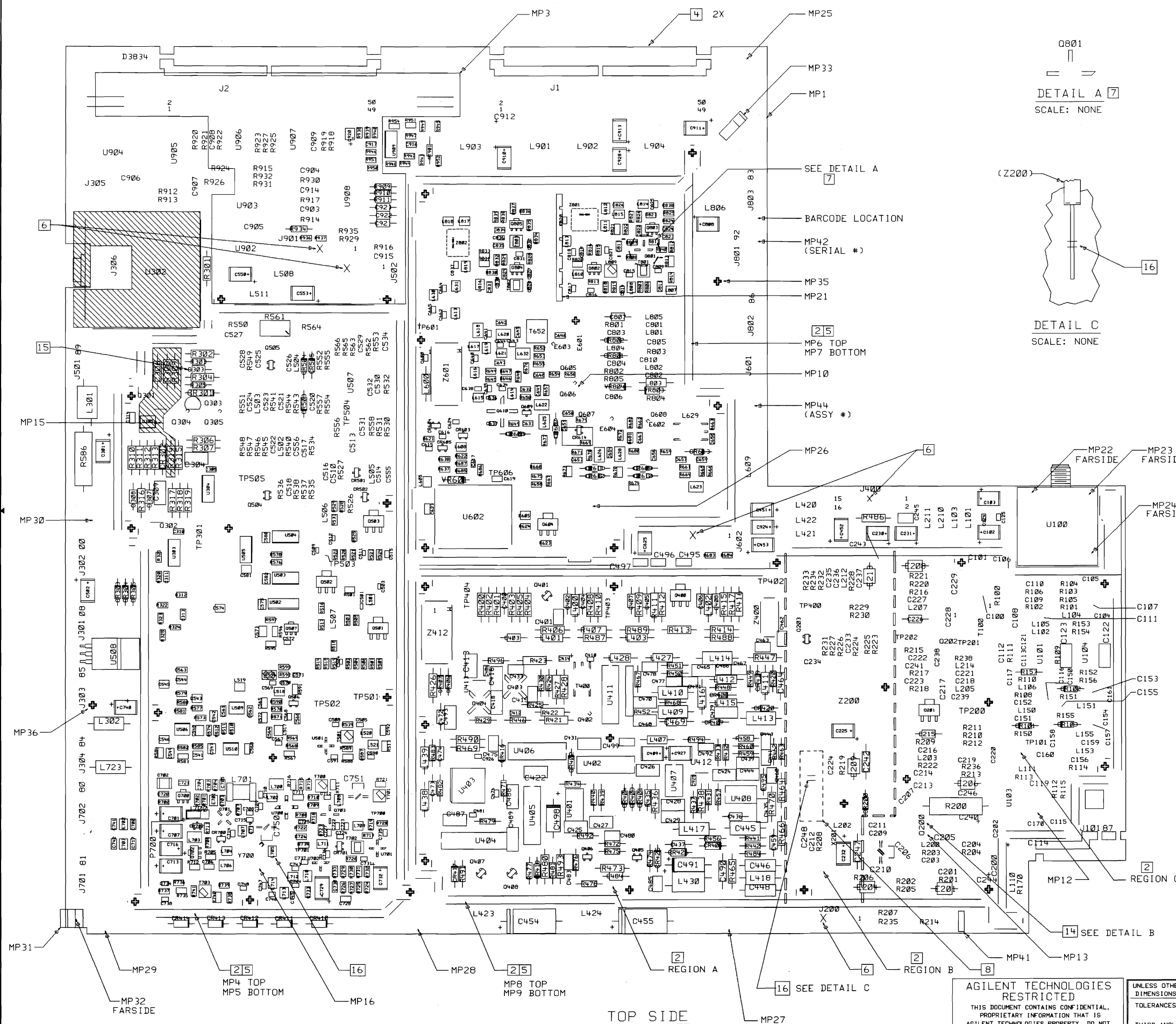
**Indicates factory-selected value*

CLIP 08563-60134 33

Scans by ArtekMedia => 2009

HP Part Number 08563-60134
Radio Frequency (continued)

Reference Designator	HP Part Number	Qty	Description	Mfr Code	Mfr Part Number
Z801	0410-2527	1	RESONATOR-CERAMIC 310.7 MHZ	10743	1GA1-8011
Z802	0410-2527	1	RESONATOR-CERAMIC 310.7 MHZ	10743	1GA1-8011

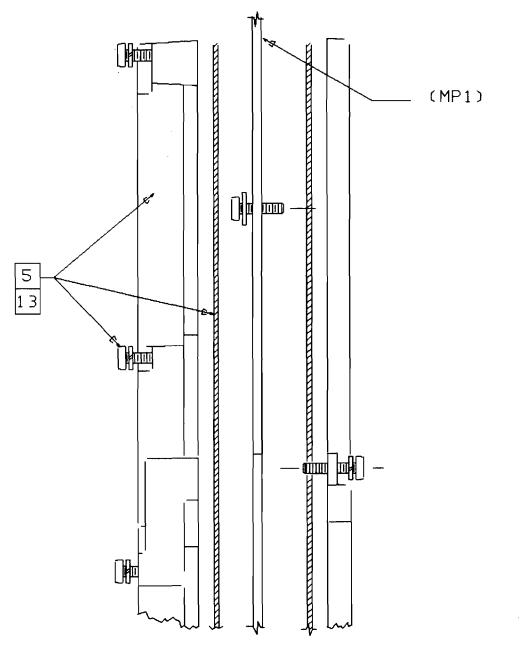


TORQUE MATRIX

REF. DES.	TORQUE VALUE
MP22-24	5.0 IN-LBS
MP35, 36	5.0 IN-LBS
MP32	7.0 IN-LBS

DETAIL A [7]
SCALE: NONE

DETAIL C
SCALE: NONE



- NOTES:** UNLESS OTHERWISE SPECIFIED.
- ALL DIMENSIONS ARE IN INCHES.
 - MAXIMUM COMPONENT HEIGHT UNDER MP4 IS .385 * EXCEPT R561 = .430
MAXIMUM COMPONENT HEIGHT UNDER MP6 IS .385 * EXCEPT Z601 = .415
MAXIMUM COMPONENT HEIGHT UNDER MP8 IS AS FOLLOWS:
REGION A = .385 * EXCEPT FOR Z412 = .415
REGION B = .306
REGION C = .345 * EXCEPT FOR Q200, C240, C210 = .385 (C210 TUNING SCREW PROTRUDES THROUGH SHIELD)
MAXIMUM HEIGHT OF J2 = .375
 - MAXIMUM LEAD TRIM LENGTH .118
 - REMOVE BREAKOFF TABS AFTER MACHINE SOLDER.
 - SCREWS FOR SHIELD AND SPIRO-GASKETS, ARE ON MATERIAL LIST FOR SHIELDS. MAKE SURE ALL PARTS ARE INTACT.
 - ASSURE THAT PIN #9 HAS BEEN REMOVED FROM J200, J400, J502, J602 AND J901.
 - CLIP LEAD ON Q801 AS SHOWN IN DETAIL A.
 - HOLES (EXCEPT WHERE Z200 IS SOLDERED) ARE TO BE FREE OF SOLDER.
 - THE OUTER CONDUCTOR OF Z200 MUST BE SOLDERED TO THE BOARD AT EACH END AND IN THE CENTER. THE ENDS OF THE CABLE MUST BE FLUSH ON THE BOARD AND THE CENTER OF THE CABLE MUST BE A MAXIMUM OF .020 OFF THE BOARD.
 - SHIELD MATING SURFACES AND MOUNTING HOLES MUST BE FREE OF EXCESSIVE SOLDER.
 - USE RAW BOARD 08563-20132.
 - HATCHED COMPONENTS ARE NOT LOADED FOR THIS ASSEMBLY.
 - SHIELD ASSEMBLY WILL BE DONE BY INSTRUMENT ASSEMBLY.
 - SEE SHEET 2 OF ASSEMBLY FOR DETAIL B, ON LOADING OF C208.
 - LOAD L705 WITH THE FOLLOWING ALTERNATE PARTS AT THE LINE TECHNICIANS DISCRETION. 9140-1103 .68UH OR 9140-1101 .47UH
 - SOLDER MP45 INTO HOLE UNDER LEAD OF Z200 AND WRAP MP45 AROUND AND SOLDER TO Z200 LEAD.

SEE MATERIAL LIST 08563-60134

AGILENT TECHNOLOGIES RESTRICTED
THIS DOCUMENT CONTAINS CONFIDENTIAL, PROPRIETARY INFORMATION THAT IS AGILENT TECHNOLOGIES PROPERTY. DO NOT DISCLOSE TO OR DUPLICATE FOR OTHERS EXCEPT AS AUTHORIZED BY AGILENT TECHNOLOGIES.

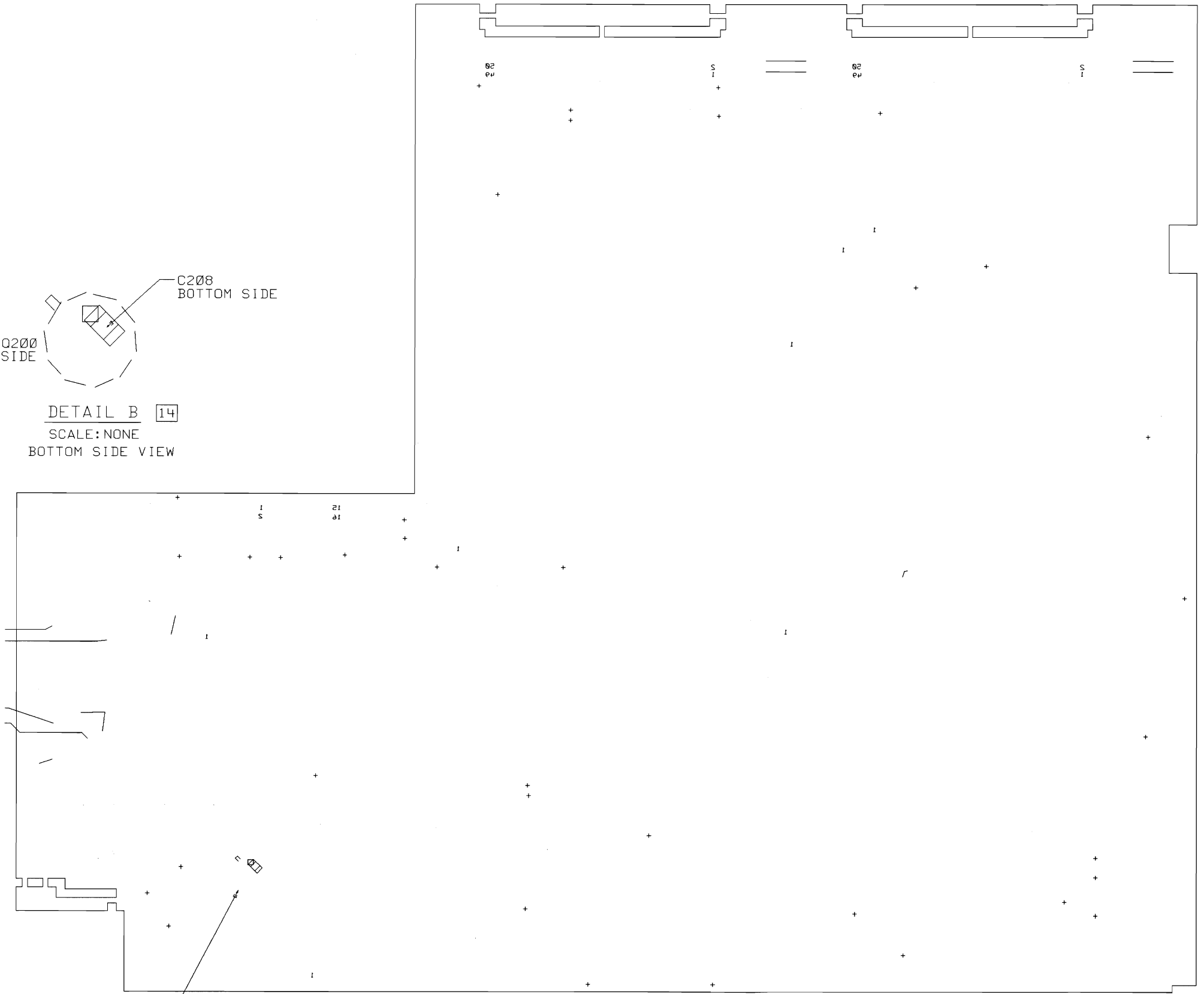
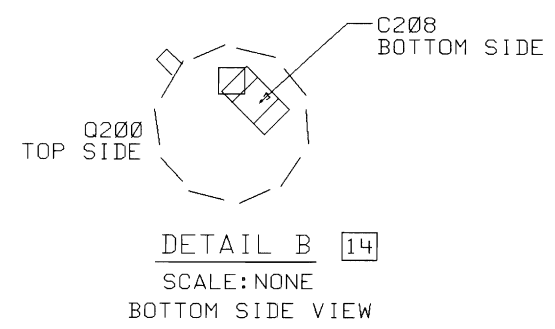
UNLESS OTHERWISE SPECIFIED, DIMENSIONS ARE IN INCHES.
TOLERANCES: XX.XXX ±.010
XX.XX ±.02
THIRD ANGLE PROJECTION
DO NOT SCALE THIS DRAWING

DRAWN BY	DATE
ENGINEER/CHECKER	DATE
RELEASE TO PROD.	DATE
SUPERSEDES DWG.	

ASSEMBLY, PWB RADIO FREQUENCY BOARD
TITLE

a:\act134	FILENAME
SCALE NONE	
1 OF 2	SHEET
08563-60134	PART NUMBER
D-08563-60134-2	

5300		D-08563-60134-2	
SYM	REVISIONS	APPROVED	DATE
E	CHANGED PER PCO 53-13664 SL		



SEE DETAIL B
14

BOTTOM SIDE

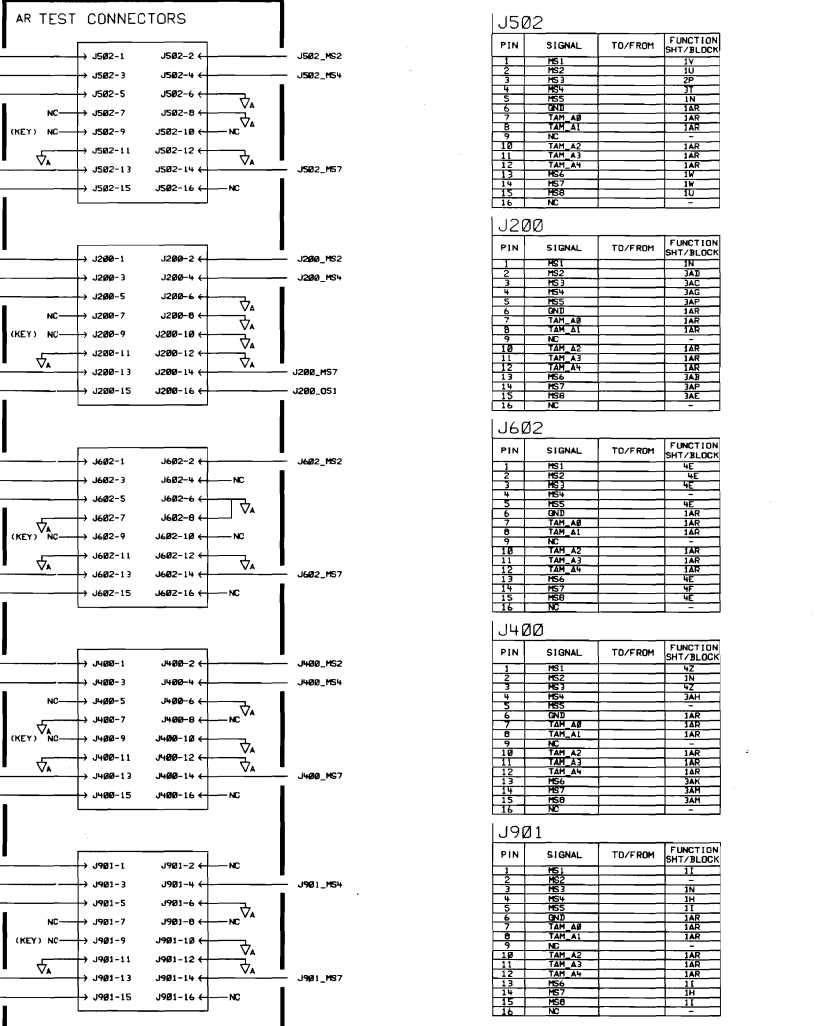
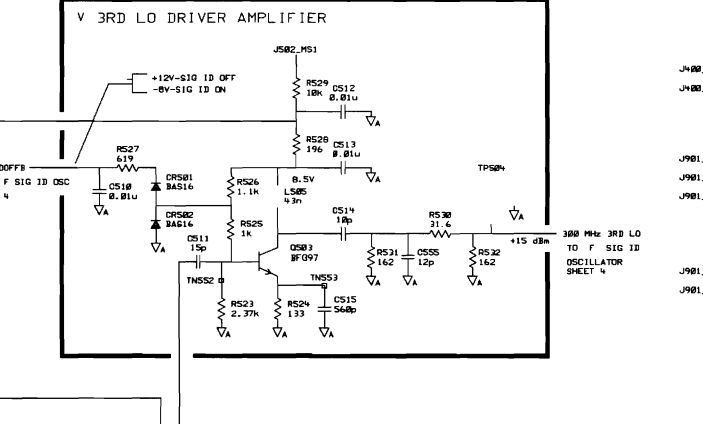
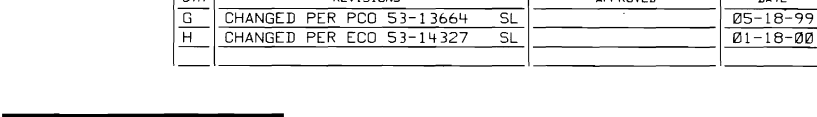
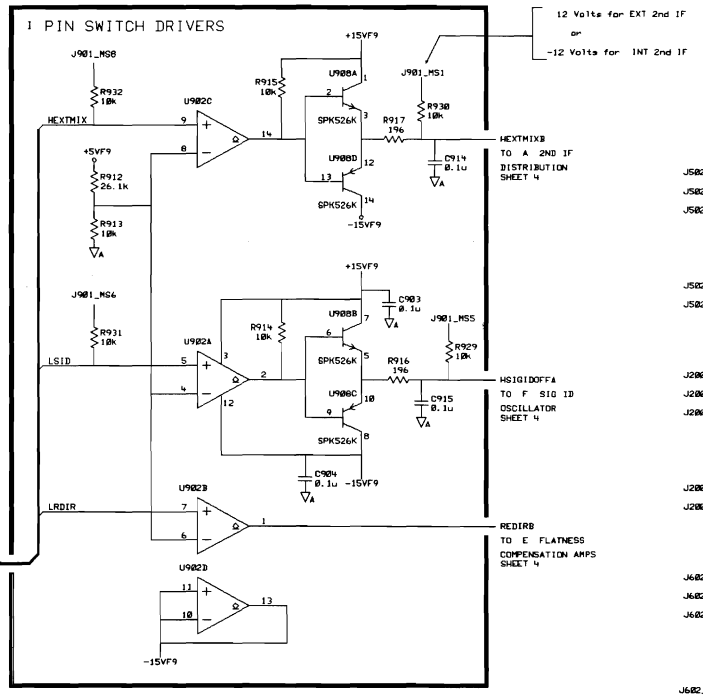
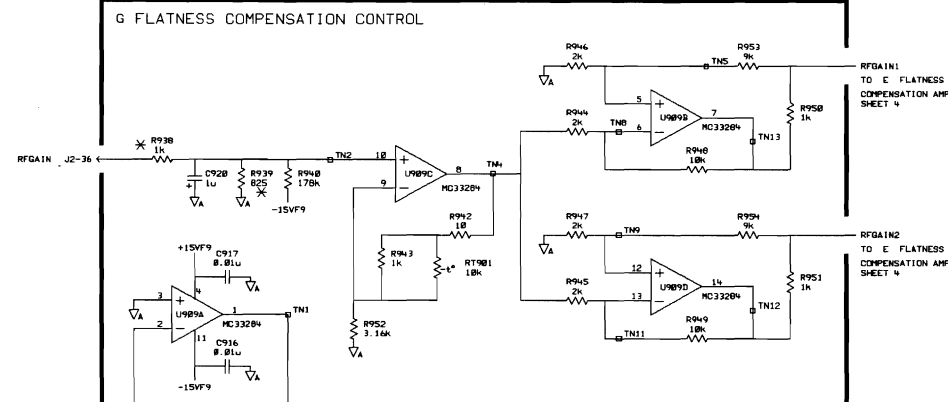
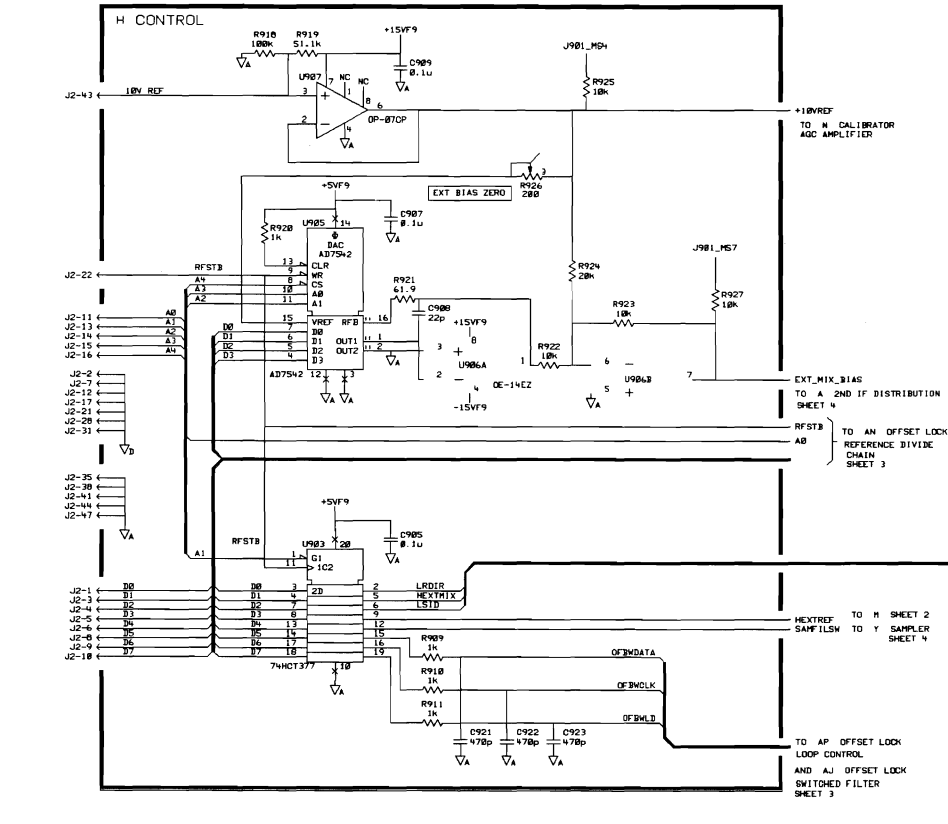
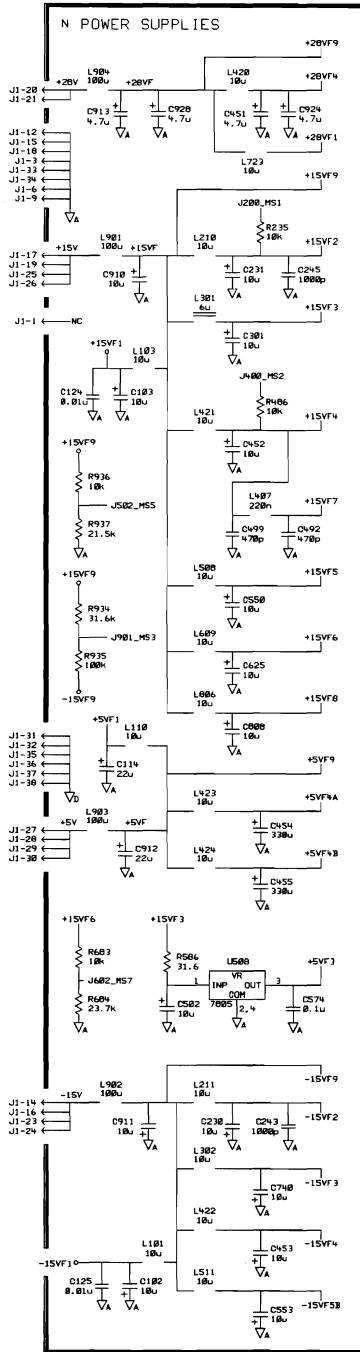
AGILENT TECHNOLOGIES
RESTRICTED
THIS DOCUMENT CONTAINS CONFIDENTIAL,
PROPRIETARY INFORMATION THAT IS
AGILENT TECHNOLOGIES PROPERTY. DO NOT
DISCLOSE TO OR DUPLICATE FOR OTHERS EXCEPT
AS AUTHORIZED BY AGILENT TECHNOLOGIES.

UNLESS OTHERWISE SPECIFIED,
DIMENSIONS ARE IN INCHES.
TOLERANCES: XX.XXX ±.010
 XX.XX ±.02
THIRD ANGLE
PROJECTION
DO NOT SCALE THIS DRAWING

DRAWN BY	DATE
ENGINEER/CHECKER	DATE
RELEASE TO PROD.	DATE
SUPERSEDES DWG.	

ASSEMBLY, PWB
RADIO FREQUENCY
BOARD
TITLE

26oct134 FILENAME	Agilent Technologies
SCALE NONE	
SHEET 2 OF 2	08563-60134 PART NUMBER
D-08563-60134-2	

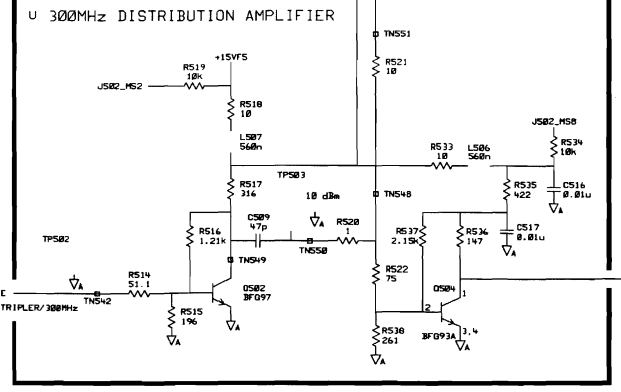


NOTES: UNLESS OTHERWISE SPECIFIED
 1. HATCHED COMPONENTS ARE NOT LOADED FOR THIS ASSEMBLY.
 2. RAW BD = 08563-20132
 3. * COMPONENTS ARE FACTORY SELECT

R938		R939	
PART NUMBER	VALUE	PART NUMBER	VALUE
0699-1437	825	0699-1423	215
0699-1438	909	0699-1424	237
0699-1318	1.00k	0699-1425	261
0699-1369	1.10k	0699-1426	287
0699-1370	1.21k	0699-1427	316
0699-1371	1.33k	0699-1428	348
0699-1372	1.47k	0699-1429	383
0699-1904	1.62k	0699-1430	422
0699-1374	1.78k	0699-1431	464
0699-1375	1.96k	0699-1432	511
		0699-1433	562
		0699-1434	619
		0699-1435	681
		0699-1436	750
		0699-1437	825

C101	
PART NUMBER	VALUE
0160-4303	6.8 pF
0160-4305	15 pF
0160-3875	22 pF
0160-4493	27 pF
0160-4306	33 pF
0160-4494	39 pF
0160-4307	47 pF

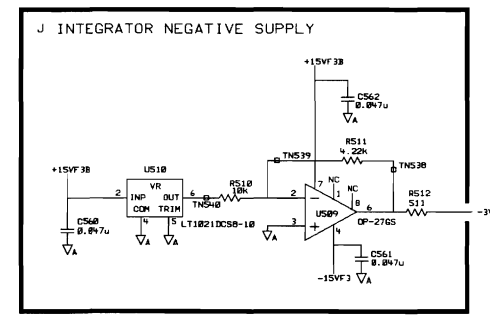
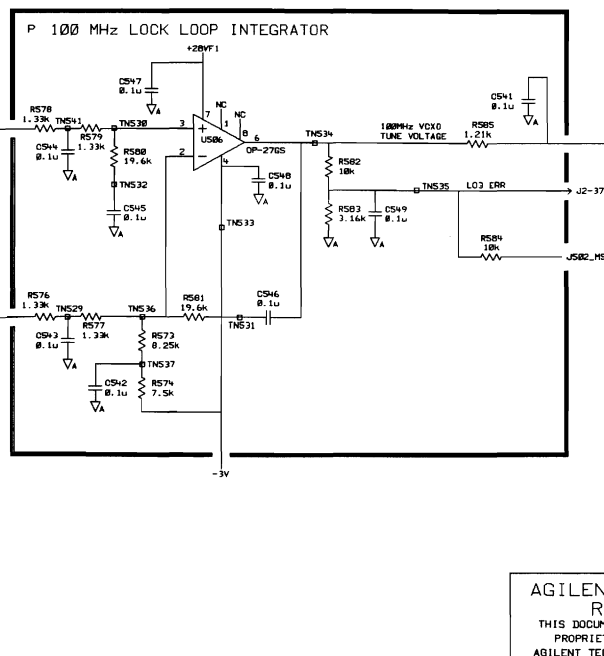
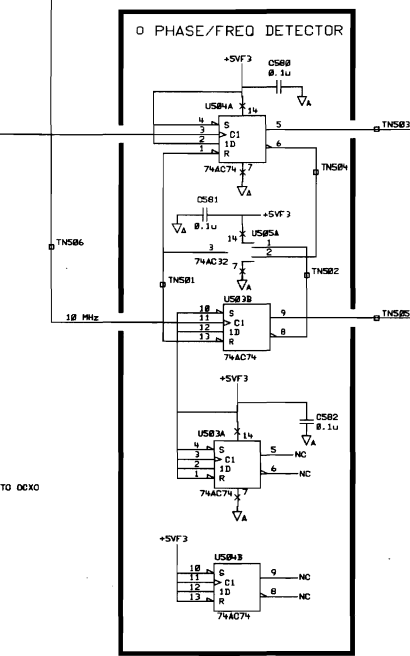
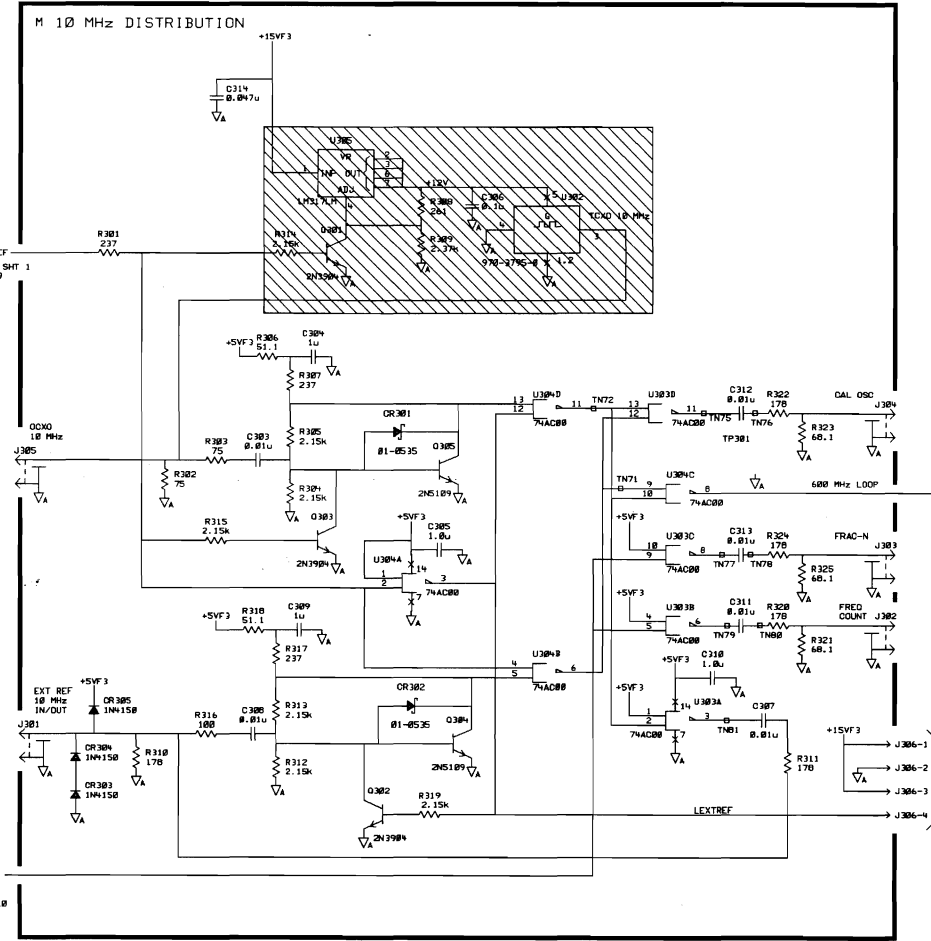
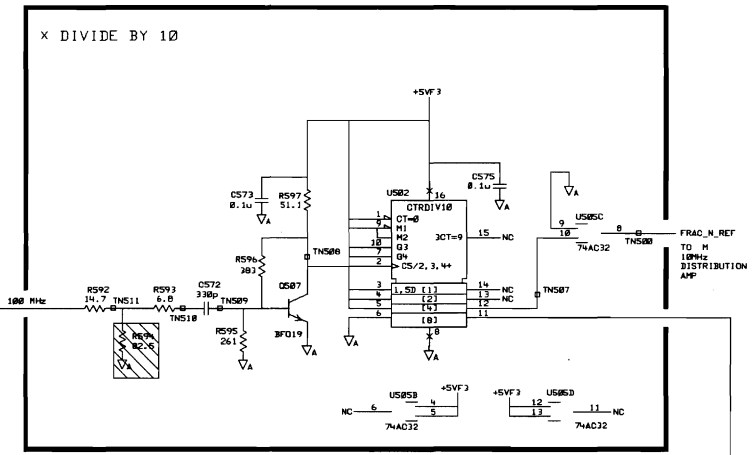
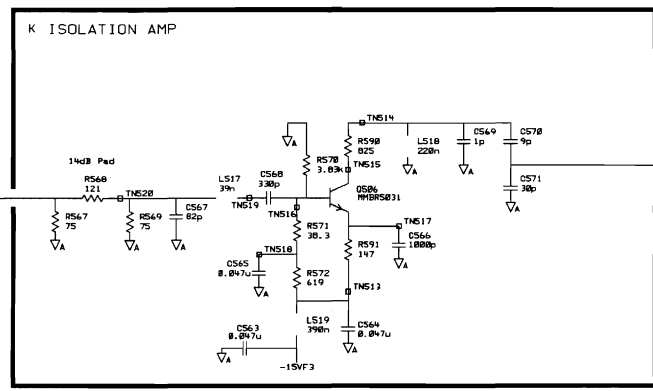
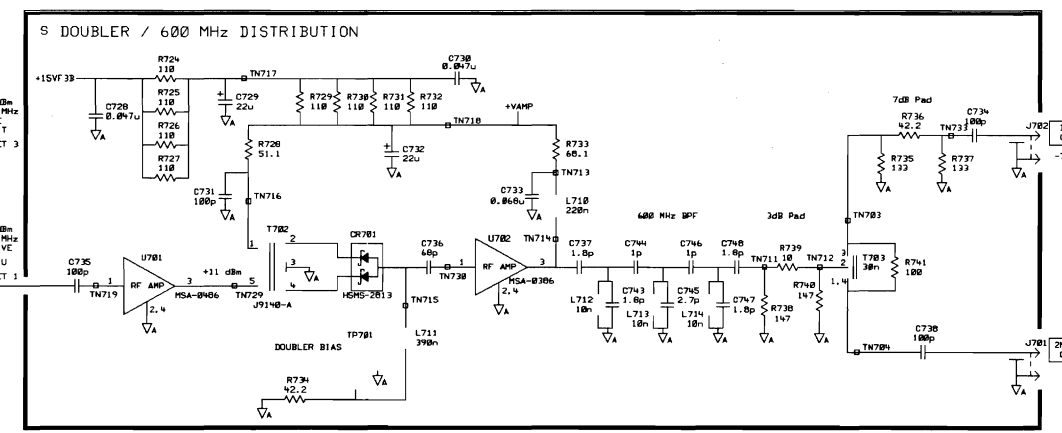
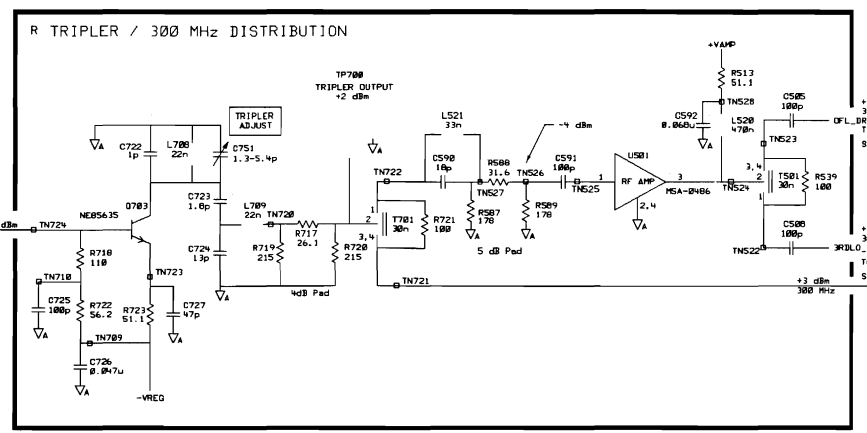
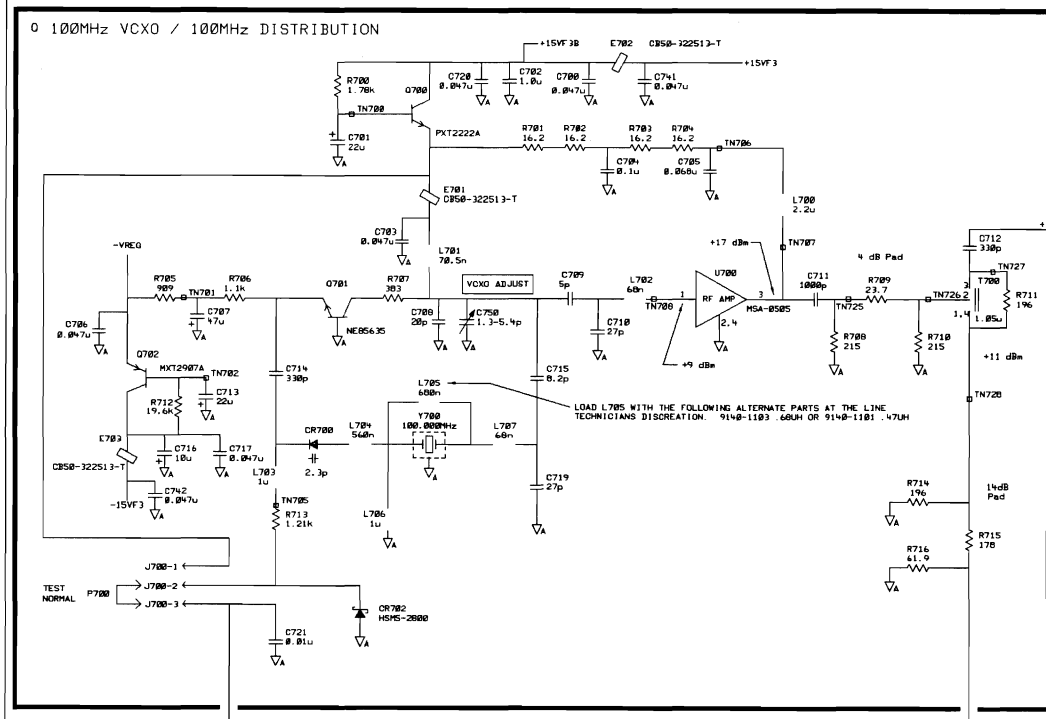
J1				J2			
PIN	SIGNAL	TO/FROM	FUNCTION	PIN	SIGNAL	TO/FROM	FUNCTION
1	NC			1	DB		NOT USED
2	NC			2	30925		NOT USED
3	AGND	IN	IN	3	CS		IN
4	NC			4	CS		IN
5	NC			5	CS		IN
6	AGND	IN	IN	6	DB		NOT USED
7	NC			7	DB		IN
8	NC			8	DB		IN
9	AGND	IN	IN	9	DB		IN
10	NC			10	DB		IN
11	NC			11	DB		IN
12	AGND	IN	IN	12	30925		NOT USED
13	NC			13	A1		IN
14	NC			14	A2		IN
15	AGND	IN	IN	15	A3		IN
16	-15V	IN	IN	16	30925		NOT USED
17	-15V	IN	IN	17	30925		NOT USED
18	AGND	IN	IN	18	NC		NOT USED
19	-15V	IN	IN	19	NC		NOT USED
20	-20V	IN	IN	20	NC		NOT USED
21	NC			21	30925		NOT USED
22	NC			22	NC		NOT USED
23	-15V	IN	IN	23	NC		NOT USED
24	-15V	IN	IN	24	NC		NOT USED
25	-15V	IN	IN	25	NC		NOT USED
26	-15V	IN	IN	26	NC		NOT USED
27	-15V	IN	IN	27	NC		NOT USED
28	-20V	IN	IN	28	NC		NOT USED
29	-20V	IN	IN	29	NC		NOT USED
30	-20V	IN	IN	30	NC		NOT USED
31	NC			31	NC		NOT USED
32	AGND	NOT USED		32	AGND		NOT USED
33	AGND	NOT USED		33	AGND		NOT USED
34	AGND	IN	IN	34	DB		3A3
35	AGND	IN	IN	35	NC		
36	NC	NOT USED		36	NC		LG
37	NC	NOT USED		37	NC		LG
38	NC	NOT USED		38	NC		LG
39	NC			39	NC		
40	NC			40	NC		
41	NC			41	AGND		2k
42	NC			42	NC		
43	NC			43	+18V REF		1k
44	NC			44	NC		
45	NC			45	NC		
46	NC			46	NC		
47	AGND			47	NC		
48	NC			48	NC		
49	NC			49	NC		
50	NC			50	NC		



AGILENT TECHNOLOGIES RESTRICTED
 THIS DOCUMENT CONTAINS CONFIDENTIAL PROPRIETARY INFORMATION THAT IS AGILENT TECHNOLOGIES PROPERTY. DO NOT DISCLOSE TO OR DUPLICATE FOR OTHERS EXCEPT AS AUTHORIZED BY AGILENT TECHNOLOGIES.

DRAWN BY: DATE: ENGINEER/CHECKER: DATE: RELEASE TO PROD.: DATE: SUPERSEDES DMG.

SCHMATIC, PWA RADIO FREQUENCY BOARD
 s1act134 FILENAME: Agilent Technologies
 SCALE: NONE
 SHEET 1 OF 4 08563-60134 PART NUMBER
 08563-60134-1



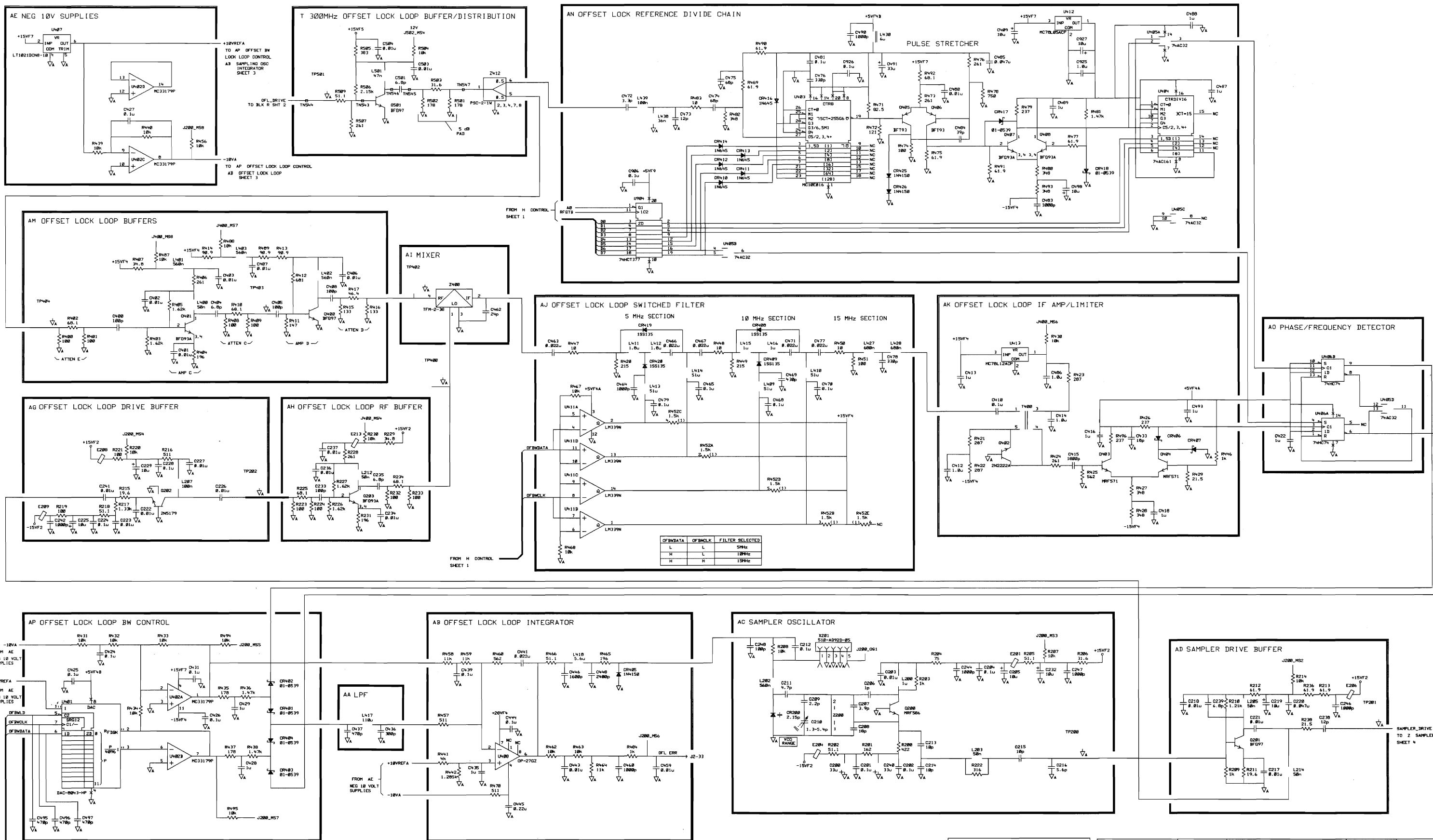
NOTE: HATCHED COMPONENTS ARE NOT LOADED FOR THIS ASSEMBLY.

AGILENT TECHNOLOGIES RESTRICTED
THIS DOCUMENT CONTAINS CONFIDENTIAL, PROPRIETARY INFORMATION THAT IS AGILENT TECHNOLOGIES PROPERTY. DO NOT DISCLOSE TO OR DUPLICATE FOR OTHERS EXCEPT AS AUTHORIZED BY AGILENT TECHNOLOGIES.

DRAWN BY	DATE
ENGINEER/CHECKER	DATE
RELEASE TO PROD.	DATE
SUPERSEDES DWG.	

SCHMATIC, PWA RADIO FREQUENCY BOARD

s2act134	Agilent Technologies
FILENAME	
SCALE NONE	
SHEET 2 of 4	08563-60134 PART NUMBER
	08563-60134-1

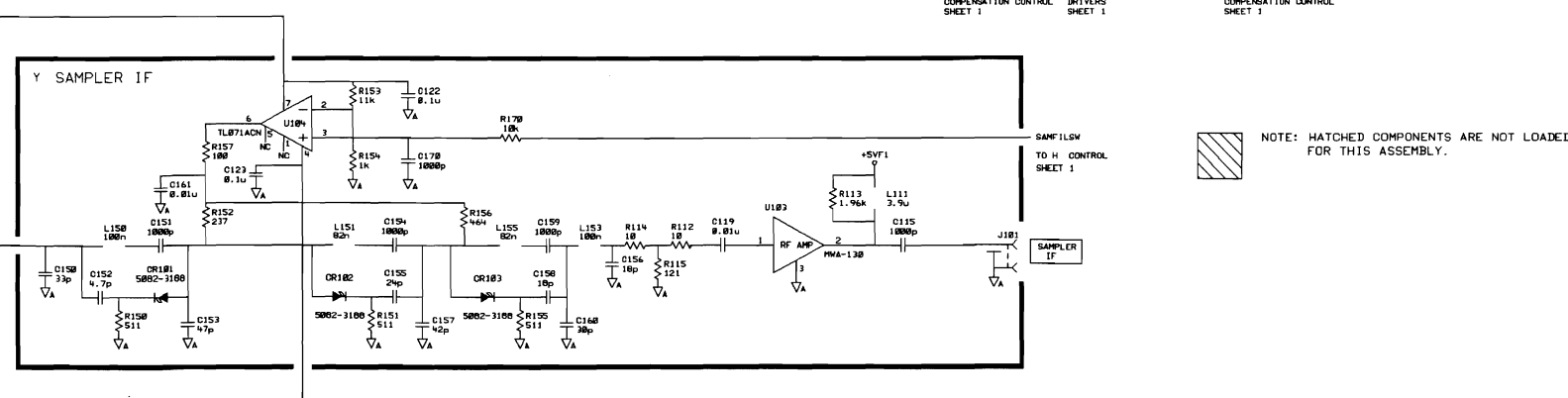
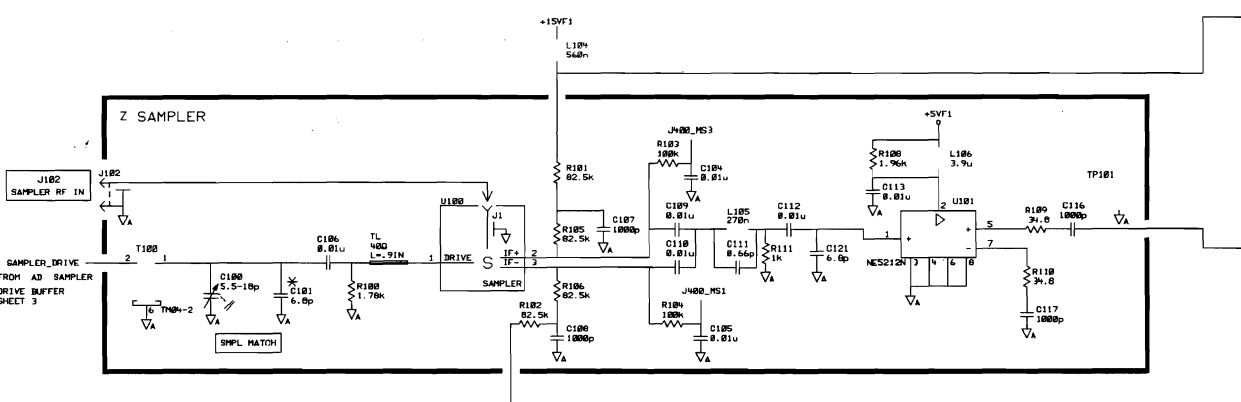
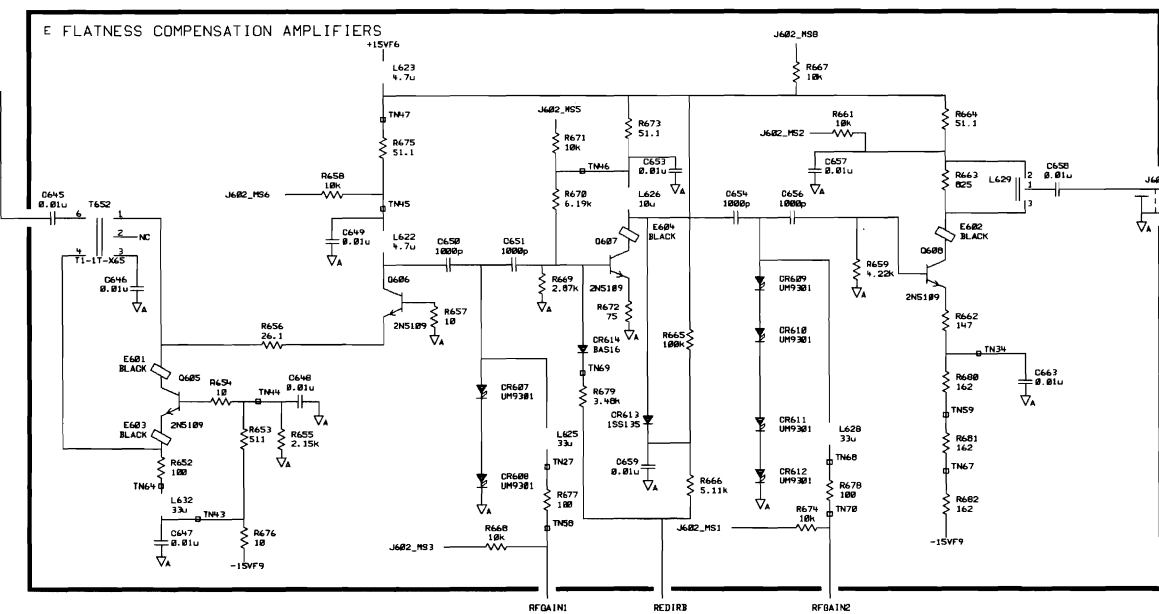
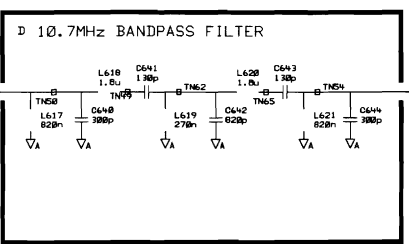
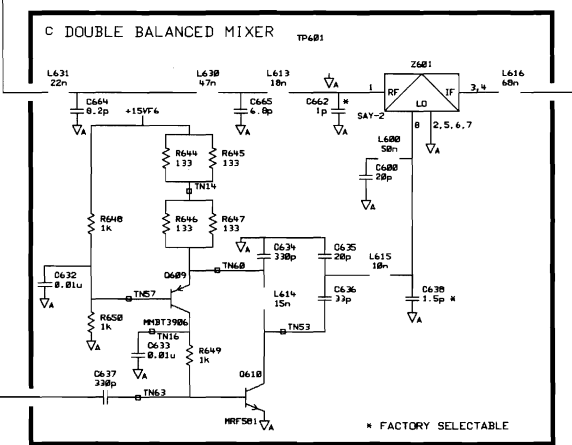
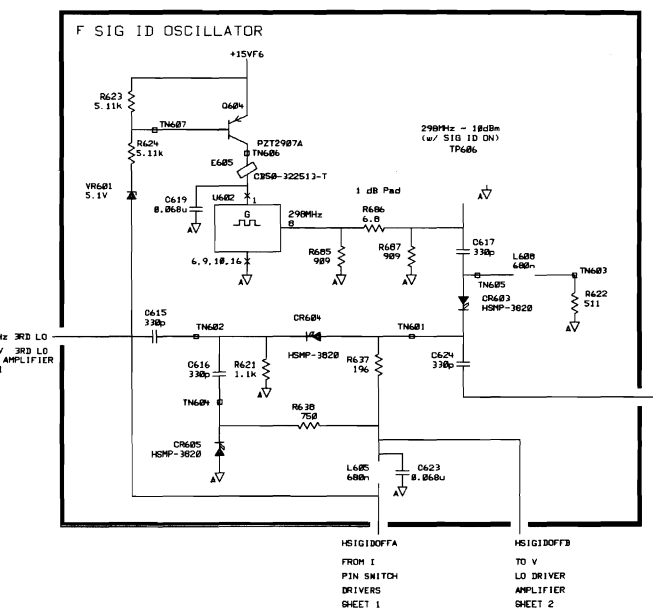
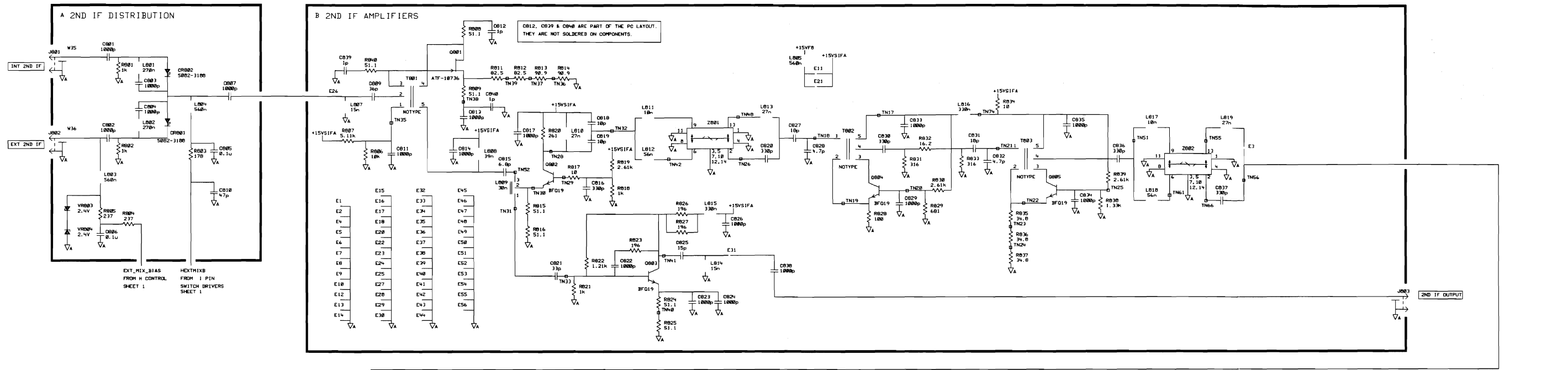


OFBWDATA	OFBMLK	FILTER SELECTED
L	L	15MHz
H	L	10MHz
H	H	5MHz

NOTE: HATCHED COMPONENTS ARE NOT LOADED FOR THIS ASSEMBLY.

AGILENT TECHNOLOGIES
RESTRICTED
THIS DOCUMENT CONTAINS CONFIDENTIAL, PROPRIETARY INFORMATION THAT IS AGILENT TECHNOLOGIES PROPERTY. DO NOT DISCLOSE TO OR DUPLICATE FOR OTHERS EXCEPT AS AUTHORIZED BY AGILENT TECHNOLOGIES.

DRAWN BY	DATE	S3act134 FILENAME	Agilent Technologies
ENGINEER/CHECKER	DATE		
RELEASE TO PROD.	DATE		
SUPERSEDES DWG.	DATE		
TITLE		SCHEMATIC, PWA RADIO FREQUENCY BOARD	
SCALE		NONE	
SHEET 3 OF 4		08563-60134 PART NUMBER	
		B-08563-60134-1	



Component-Level Information Packet for 08563-60030

FADC



**HP Part No. 08563-90076
Printed in USA June 2000**

Notice. The information contained in this document is subject to change without notice.

Hewlett-Packard makes no warranty of any kind with regard to this material, including, but not limited to, the implied warranties of merchantability and fitness for a particular purpose. Hewlett-Packard shall not be liable for errors contained herein or for incidental or consequential damages in connection with the furnishing, performance, or use of this material.

**HP Part Number 08563-60030
FADC**

Reference Designator	HP Part Number	Qty	Description	Mfr Code	Mfr Part Number
C1	0160-6222	1	CAP-FXD 0.1uF +-10% 50 V CER X7R	02010	12105C104KAT A
C2	0160-6222	1	CAP-FXD 0.1uF +-10% 50 V CER X7R	02010	12105C104KAT A
C3	0160-6222	1	CAP-FXD 0.1uF +-10% 50 V CER X7R	02010	12105C104KAT A
C4	0160-6222	1	CAP-FXD 0.1uF +-10% 50 V CER X7R	02010	12105C104KAT A
C5	0160-6222	1	CAP-FXD 0.1uF +-10% 50 V CER X7R	02010	12105C104KAT A
C6	0160-6734	1	CAP-FXD 0.047uF +-10% 50 V CER X7R	02010	12065C473KAT A
C7	0160-6222	1	CAP-FXD 0.1uF +-10% 50 V CER X7R	02010	12105C104KAT A
C8	0160-5954	1	CAP-FXD 220pF +-5% 50 V CER C0G	02010	08055A221JAT A
C9	0160-5953	1	CAP-FXD 270pF +-5% 50 V CER C0G	02010	08055C271JAT A
C10	0160-5956	1	CAP-FXD 56pF +-5% 50 V CER C0G	02010	08055A560JAT A
C11	0160-7389	1	CAP-FXD 300pF +-5% 50 V CER C0G	06352	C2012C0G1H301JT
C12	0160-5963	1	CAP-FXD 18pF +-5% 50 V CER C0G	02010	08055A180JAT A
C13	0160-5952	1	CAP-FXD 330pF +-5% 50 V CER C0G	02010	08055A331JAT A
C14	0160-5955	1	CAP-FXD 68pF +-5% 50 V CER C0G	02010	08055A680JATRA
C15	0160-6734	1	CAP-FXD 0.047uF +-10% 50 V CER X7R	02010	12065C473KAT A
C16	0160-6222	1	CAP-FXD 0.1uF +-10% 50 V CER X7R	02010	12105C104KAT A
C17	0160-6222	1	CAP-FXD 0.1uF +-10% 50 V CER X7R	02010	12105C104KAT A
C19	0160-6222	1	CAP-FXD 0.1uF +-10% 50 V CER X7R	02010	12105C104KAT A
C20	0160-6222	1	CAP-FXD 0.1uF +-10% 50 V CER X7R	02010	12105C104KAT A
C22	0160-6222	1	CAP-FXD 0.1uF +-10% 50 V CER X7R	02010	12105C104KAT A
C23	0160-6222	1	CAP-FXD 0.1uF +-10% 50 V CER X7R	02010	12105C104KAT A
C24	0160-6222	1	CAP-FXD 0.1uF +-10% 50 V CER X7R	02010	12105C104KAT A
C25	0160-6222	1	CAP-FXD 0.1uF +-10% 50 V CER X7R	02010	12105C104KAT A
C26	0160-6222	1	CAP-FXD 0.1uF +-10% 50 V CER X7R	02010	12105C104KAT A
C27	0160-6222	1	CAP-FXD 0.1uF +-10% 50 V CER X7R	02010	12105C104KAT A
C28	0160-6222	1	CAP-FXD 0.1uF +-10% 50 V CER X7R	02010	12105C104KAT A
C29	0160-6222	1	CAP-FXD 0.1uF +-10% 50 V CER X7R	02010	12105C104KAT A
C30	0160-6222	1	CAP-FXD 0.1uF +-10% 50 V CER X7R	02010	12105C104KAT A
C31	0160-6222	1	CAP-FXD 0.1uF +-10% 50 V CER X7R	02010	12105C104KAT A
C32	0160-6222	1	CAP-FXD 0.1uF +-10% 50 V CER X7R	02010	12105C104KAT A
C33	0160-6222	1	CAP-FXD 0.1uF +-10% 50 V CER X7R	02010	12105C104KAT A
C34	0160-6222	1	CAP-FXD 0.1uF +-10% 50 V CER X7R	02010	12105C104KAT A
C35	0160-6222	1	CAP-FXD 0.1uF +-10% 50 V CER X7R	02010	12105C104KAT A
C36	0160-6222	1	CAP-FXD 0.1uF +-10% 50 V CER X7R	02010	12105C104KAT A
C37	0160-6222	1	CAP-FXD 0.1uF +-10% 50 V CER X7R	02010	12105C104KAT A

**Indicates factory-selected value*

CLIP 08563-90076 1

Scans by ArtekMedia => 2009

**HP Part Number 08563-60030
FADC (continued)**

Reference Designator	HP Part Number	Qty	Description	Mfr Code	Mfr Part Number
C38	0160-6222	1	CAP-FXD 0.1uF +-10% 50 V CER X7R	02010	12105C104KAT A
C39	0160-6222	1	CAP-FXD 0.1uF +-10% 50 V CER X7R	02010	12105C104KAT A
C40	0160-6222	1	CAP-FXD 0.1uF +-10% 50 V CER X7R	02010	12105C104KAT A
C41	0160-6222	1	CAP-FXD 0.1uF +-10% 50 V CER X7R	02010	12105C104KAT A
C42	0160-6222	1	CAP-FXD 0.1uF +-10% 50 V CER X7R	02010	12105C104KAT A
C43	0160-6222	1	CAP-FXD 0.1uF +-10% 50 V CER X7R	02010	12105C104KAT A
C44	0160-6222	1	CAP-FXD 0.1uF +-10% 50 V CER X7R	02010	12105C104KAT A
C45	0180-3755	1	CAP-FXD 33uF +-20% 10 V TA	02010	TAJD336M010
C46	0180-4287	1	CAP-FXD 10uF +-20% 35 V TA	02010	TAJD106M035
C47	0180-4287	1	CAP-FXD 10uF +-20% 35 V TA	02010	TAJD106M035
C48	0180-3755	1	CAP-FXD 33uF +-20% 10 V TA	02010	TAJD336M010
C49	0180-3751	1	CAP-FXD 1uF +-20% 35 V TA	02010	TAJB105M035
C50	0180-3751	1	CAP-FXD 1uF +-20% 35 V TA	02010	TAJB105M035
C51	0180-3751	1	CAP-FXD 1uF +-20% 35 V TA	02010	TAJB105M035
C52	0180-3751	1	CAP-FXD 1uF +-20% 35 V TA	02010	TAJB105M035
C53	0180-3751	1	CAP-FXD 1uF +-20% 35 V TA	02010	TAJB105M035
C54	0160-6222	1	CAP-FXD 0.1uF +-10% 50 V CER X7R	02010	12105C104KAT A
C55	0160-6222	1	CAP-FXD 0.1uF +-10% 50 V CER X7R	02010	12105C104KAT A
C56	0160-6222	1	CAP-FXD 0.1uF +-10% 50 V CER X7R	02010	12105C104KAT A
C57	0160-6222	1	CAP-FXD 0.1uF +-10% 50 V CER X7R	02010	12105C104KAT A
C58	0160-6222	1	CAP-FXD 0.1uF +-10% 50 V CER X7R	02010	12105C104KAT A
C59	0160-6222	1	CAP-FXD 0.1uF +-10% 50 V CER X7R	02010	12105C104KAT A
C60	0180-4287	1	CAP-FXD 10uF +-20% 35 V TA	02010	TAJD106M035
C61	0160-6222	1	CAP-FXD 0.1uF +-10% 50 V CER X7R	02010	12105C104KAT A
C62	0160-6222	1	CAP-FXD 0.1uF +-10% 50 V CER X7R	02010	12105C104KAT A
C63	0180-4287	1	CAP-FXD 10uF +-20% 35 V TA	02010	TAJD106M035
C64	0160-6222	1	CAP-FXD 0.1uF +-10% 50 V CER X7R	02010	12105C104KAT A
C65	0160-6222	1	CAP-FXD 0.1uF +-10% 50 V CER X7R	02010	12105C104KAT A
C66	0180-4287	1	CAP-FXD 10uF +-20% 35 V TA	02010	TAJD106M035
C67	0160-6222	1	CAP-FXD 0.1uF +-10% 50 V CER X7R	02010	12105C104KAT A
C68	0180-3753	1	CAP-FXD 6.8uF +-20% 35 V TA	00039	NRD685M35R12
C69	0160-6736	1	CAP-FXD 0.01uF +-10% 50 V CER X7R	02010	12065C103KAT A
C70	0160-6222	1	CAP-FXD 0.1uF +-10% 50 V CER X7R	02010	12105C104KAT A
C71	0180-3753	1	CAP-FXD 6.8uF +-20% 35 V TA	00039	NRD685M35R12
C72	0160-6222	1	CAP-FXD 0.1uF +-10% 50 V CER X7R	02010	12105C104KAT A

**HP Part Number 08563-60030
FADC (continued)**

Reference Designator	HP Part Number	Qty	Description	Mfr Code	Mfr Part Number
C73	0160-6222	1	CAP-FXD 0.1uF +-10% 50 V CER X7R	02010	12105C104KAT A
C74	0160-6222	1	CAP-FXD 0.1uF +-10% 50 V CER X7R	02010	12105C104KAT A
C75	0180-3753	1	CAP-FXD 6.8uF +-20% 35 V TA	00039	NRD685M35R12
C76	0160-6222	1	CAP-FXD 0.1uF +-10% 50 V CER X7R	02010	12105C104KAT A
C77	0180-3753	1	CAP-FXD 6.8uF +-20% 35 V TA	00039	NRD685M35R12
C78	0160-6736	1	CAP-FXD 0.01uF +-10% 50 V CER X7R	02010	12065C103KAT A
C79	0160-5967	1	CAP-FXD 100pF +-5% 50 V CER C0G	06352	C2012COG1H101J
C80	0160-6222	1	CAP-FXD 0.1uF +-10% 50 V CER X7R	02010	12105C104KAT A
C81	0160-6222	1	CAP-FXD 0.1uF +-10% 50 V CER X7R	02010	12105C104KAT A
C82	0160-6222	1	CAP-FXD 0.1uF +-10% 50 V CER X7R	02010	12105C104KAT A
C83	0160-6736	1	CAP-FXD 0.01uF +-10% 50 V CER X7R	02010	12065C103KAT A
C84	0160-6222	1	CAP-FXD 0.1uF +-10% 50 V CER X7R	02010	12105C104KAT A
CR1	1901-1227	1	DIODE-SWITCHING 75V 200MA 6NS TO-236	02910	BAS16
CR2	1901-1227	1	DIODE-SWITCHING 75V 200MA 6NS TO-236	02910	BAS16
CR3	1906-0320	1	DIODE-DUAL 40V 40MA TO-236AA	36393	BAS 40-04
CR4	1906-0320	1	DIODE-DUAL 40V 40MA TO-236AA	36393	BAS 40-04
E1	9170-1421	1	CORE-SHIELDING BEAD	06352	HF50ACB-322513
J1	1252-1325	1	CONN-POST TYPE .100-PIN-SPCG-MTG-END	04726	N2510-6002UB
J2	1252-1325	1	CONN-POST TYPE .100-PIN-SPCG-MTG-END	04726	N2510-6002UB
J3	1250-0257	1	CONNECTOR-RF SMB MALE PC-W-STDFS 50-OHM	01380	413990-3
J4	1250-0257	1	CONNECTOR-RF SMB MALE PC-W-STDFS 50-OHM	01380	413990-3
L1	9140-1098	1	INDUCTOR 150nH +-5% 2.8W-mmX3.4LG-mm	09891	KL32TER15J
L2	9140-1098	1	INDUCTOR 150nH +-5% 2.8W-mmX3.4LG-mm	09891	KL32TER15J
L3	9140-1104	1	INDUCTOR 820nH +-5% 2.8W-mmX3.4LG-mm	09891	KL32TER82J
L4	9140-1098	1	INDUCTOR 150nH +-5% 2.8W-mmX3.4LG-mm	09891	KL32TER15J
L5	9140-1105	1	INDUCTOR 1uH +-5% 3.4W-mmX4.8LG-mm Q=50	06352	NL453232-1R0J-3
L6	9100-3922	1	INDUCTOR-FIXED Z > 1200 OHMS 120 TO 650	03273	51-088
L7	9100-3922	1	INDUCTOR-FIXED Z > 1200 OHMS 120 TO 650	03273	51-088
L8	9140-1109	1	INDUCTOR 4.7uH +-5% 3.4W-mmX4.8LG-mm	06352	NL453232-4R7J
L9	9140-1109	1	INDUCTOR 4.7uH +-5% 3.4W-mmX4.8LG-mm	06352	NL453232-4R7J
MP3	0380-2048	1	STANDOFF-RVT-ON 13-MM-LG M3.0 X 0.5-THD	02121	0380-2048
MP4	0380-2048	1	STANDOFF-RVT-ON 13-MM-LG M3.0 X 0.5-THD	02121	0380-2048
MP5	0380-2049	1	SPACER-RND 4.5-MM-LG 4.9-MM-ID	02121	0380-2049
MP6	0380-2049	1	SPACER-RND 4.5-MM-LG 4.9-MM-ID	02121	0380-2049
Q1	1854-1037	1	TRANSISTOR NPN SI TO-236AA PD=350MW	00746	SST3904T116

**Indicates factory-selected value*

CLIP 08563-90076 3

Scans by ArtekMedia => 2009

**HP Part Number 08563-60030
FADC (continued)**

Reference Designator	HP Part Number	Qty	Description	Mfr Code	Mfr Part Number
Q2	1854-1037	1	TRANSISTOR NPN SI TO-236AA PD=350MW	00746	SST3904T116
R1	1810-1093	1	NET-RES 8 470.0 OHM 16-PIN	05524	SOMC-1603-471G
R2	1810-1090	1	NET-RES 8 51.0 OHM 16-PIN	05524	SOMC16-03-510G
R3	0699-1391	1	RESISTOR 10K +-1% .125W TKF TC=0+-100	05524	CRCW12061002F
R4	0699-1398	1	RESISTOR 21.5K +-1% .125W TKF TC=0+-100	05524	CRCW12062152F
R5	0699-1415	1	RESISTOR 100 +-1% .125W TKF TC=0+-100	05524	CRCW12061000F
R6	0699-1415	1	RESISTOR 100 +-1% .125W TKF TC=0+-100	05524	CRCW12061000F
R7	0699-1344	1	RESISTOR 10 +-1% .125W TKF TC=0+-100	09891	RK73H2BT10R0F
R8	0699-1398	1	RESISTOR 21.5K +-1% .125W TKF TC=0+-100	05524	CRCW12062152F
R9	0699-1318	1	RESISTOR 1K +-1% .125W TKF TC=0+-100	00746	MCR18-F-1001
R10	0699-1391	1	RESISTOR 10K +-1% .125W TKF TC=0+-100	05524	CRCW12061002F
R11	0699-1391	1	RESISTOR 10K +-1% .125W TKF TC=0+-100	05524	CRCW12061002F
R12	0699-1430	1	RESISTOR 422 +-1% .125W TKF TC=0+-100	05524	CRCW12064220F
R13	0699-1415	1	RESISTOR 100 +-1% .125W TKF TC=0+-100	05524	CRCW12061000F
R14	0699-1415	1	RESISTOR 100 +-1% .125W TKF TC=0+-100	05524	CRCW12061000F
R15	0699-1415	1	RESISTOR 100 +-1% .125W TKF TC=0+-100	05524	CRCW12061000F
R16	0699-1415	1	RESISTOR 100 +-1% .125W TKF TC=0+-100	05524	CRCW12061000F
R17	0699-1415	1	RESISTOR 100 +-1% .125W TKF TC=0+-100	05524	CRCW12061000F
R18	0699-1415	1	RESISTOR 100 +-1% .125W TKF TC=0+-100	05524	CRCW12061000F
R19	0699-1415	1	RESISTOR 100 +-1% .125W TKF TC=0+-100	05524	CRCW12061000F
R20	0699-1415	1	RESISTOR 100 +-1% .125W TKF TC=0+-100	05524	CRCW12061000F
R21	0699-2837	1	RESISTOR 30K +-0.1% .125W TF TC=0+-25	02499	W1206R033002BT
R22	0699-2491	1	RESISTOR 20K +-0.1% .125W TF TC=0+-25	02499	W1206R032002BT
R23	0699-1319	1	RESISTOR 12.1K +-1% .125W TKF TC=0+-100	09891	RK73H2BT1212F
R24	0699-1415	1	RESISTOR 100 +-1% .125W TKF TC=0+-100	05524	CRCW12061000F
R25	0699-1391	1	RESISTOR 10K +-1% .125W TKF TC=0+-100	05524	CRCW12061002F
R26	0699-2835	1	RESISTOR 500 +-0.1% .125W TF TC=0+-25	02499	W1206R035000BT
R27	0699-2847	1	RESISTOR 2K +-0.1% .125W TF TC=0+-25	01172	BLU-1206 2K .1% 25PPM
R28	0699-2835	1	RESISTOR 500 +-0.1% .125W TF TC=0+-25	02499	W1206R035000BT
R29	0699-2834	1	RESISTOR 400 +-0.1% .125W TF TC=0+-25	02499	W1206R034000BT
R30	0699-1354	1	RESISTOR 26.1 +-1% .125W TKF TC=0+-100	09891	RK73H2BT26R1F
R31	0699-2835	1	RESISTOR 500 +-0.1% .125W TF TC=0+-25	02499	W1206R035000BT
R32	0699-2826	1	RESISTOR 3K +-0.1% .125W TF TC=0+-25	02499	W1206R033001BT
R33	0699-2833	1	RESISTOR 300 +-0.1% .125W TF TC=0+-25	01172	BLU-1206 300R .1% 25PPM
R34	0699-1354	1	RESISTOR 26.1 +-1% .125W TKF TC=0+-100	09891	RK73H2BT26R1F

**HP Part Number 08563-60030
FADC (continued)**

Reference Designator	HP Part Number	Qty	Description	Mfr Code	Mfr Part Number
R35	0699-1361	1	RESISTOR 51.1 +-1% .125W TKF TC=0+-100	05524	CRCW120651R1F
R36	0699-1415	1	RESISTOR 100 +-1% .125W TKF TC=0+-100	05524	CRCW12061000F
R37	0699-1361	1	RESISTOR 51.1 +-1% .125W TKF TC=0+-100	05524	CRCW120651R1F
R38	0699-1361	1	RESISTOR 51.1 +-1% .125W TKF TC=0+-100	05524	CRCW120651R1F
R39	0699-1361	1	RESISTOR 51.1 +-1% .125W TKF TC=0+-100	05524	CRCW120651R1F
R40	0699-1391	1	RESISTOR 10K +-1% .125W TKF TC=0+-100	05524	CRCW12061002F
R41	0699-1432	1	RESISTOR 511 +-1% .125W TKF TC=0+-100	00746	MCR18-F-5110
R42	0699-1415	1	RESISTOR 100 +-1% .125W TKF TC=0+-100	05524	CRCW12061000F
R43	0699-1438	1	RESISTOR 909 +-1% .125W TKF TC=0+-100	05524	CRCW12069090F
R44	0699-1391	1	RESISTOR 10K +-1% .125W TKF TC=0+-100	05524	CRCW12061002F
R45	0699-2836	1	RESISTOR 15K +-0.1% .125W TF TC=0+-25	01172	BLU-1206 15K .1% 25PPM
R46	0699-2846	1	RESISTOR 5K +-0.1% .125W TF TC=0+-25	02499	W1206R035001BT
R47	0699-1344	1	RESISTOR 10 +-1% .125W TKF TC=0+-100	09891	RK73H2BT10R0F
R48	0699-1391	1	RESISTOR 10K +-1% .125W TKF TC=0+-100	05524	CRCW12061002F
R49	0699-1391	1	RESISTOR 10K +-1% .125W TKF TC=0+-100	05524	CRCW12061002F
U1	08563-80065	1	PAL-PRGMD U1	28480	08563-80065
U2	1820-5947	1	IC FF CMOS/ACT D-TYPE POS-EDGE-TRIG COM	36633	MC74ACT574DWR2
U3	1820-5947	1	IC FF CMOS/ACT D-TYPE POS-EDGE-TRIG COM	36633	MC74ACT574DWR2
U4	1821-0401	1	IC FF CMOS/ACT D-TYPE POS-EDGE-TRIG COM	02237	74ACT821SC.
U5	1820-5950	1	IC INV CMOS/AC HEX 14-SOIC	01698	SN74AC04AD
U6	1820-5950	1	IC INV CMOS/AC HEX 14-SOIC	01698	SN74AC04AD
U7	1820-5937	1	IC FF CMOS/AC D-TYPE POS-EDGE-TRIG	02237	74AC74SC.
U9	1820-5937	1	IC FF CMOS/AC D-TYPE POS-EDGE-TRIG	02237	74AC74SC.
U10	1820-7250	1	IC MUXR/DATA-SEL CMOS/AC 4-TO-1-LINE	02237	74AC253SCX.
U11	1820-5945	1	IC GATE CMOS/AC NAND QUAD 2-INP	36633	MC74AC00D
U12	1820-5936	1	IC GATE CMOS/AC OR QUAD 2-INP	36633	MC74AC32DR2
U13	1820-6988	1	IC GATE CMOS/AC NOR QUAD	02237	74AC02SCX.
U14	1820-5935	1	IC CNTR CMOS/AC BIN UP/DOWN SYNCHR 16-SO	02237	74AC169SC
U15	1821-0401	1	IC FF CMOS/ACT D-TYPE POS-EDGE-TRIG COM	02237	74ACT821SC.
U16	1820-5935	1	IC CNTR CMOS/AC BIN UP/DOWN SYNCHR 16-SO	02237	74AC169SC
U17	1820-6473	1	IC FF CMOS/ACT D-TYPE POS-EDGE-TRIG	02237	74ACT74SCX.
U18	1820-5937	1	IC FF CMOS/AC D-TYPE POS-EDGE-TRIG	02237	74AC74SC.
U19	1820-5935	1	IC CNTR CMOS/AC BIN UP/DOWN SYNCHR 16-SO	02237	74AC169SC
U20	1820-5935	1	IC CNTR CMOS/AC BIN UP/DOWN SYNCHR 16-SO	02237	74AC169SC
U21	1820-5935	1	IC CNTR CMOS/AC BIN UP/DOWN SYNCHR 16-SO	02237	74AC169SC

**Indicates factory-selected value*

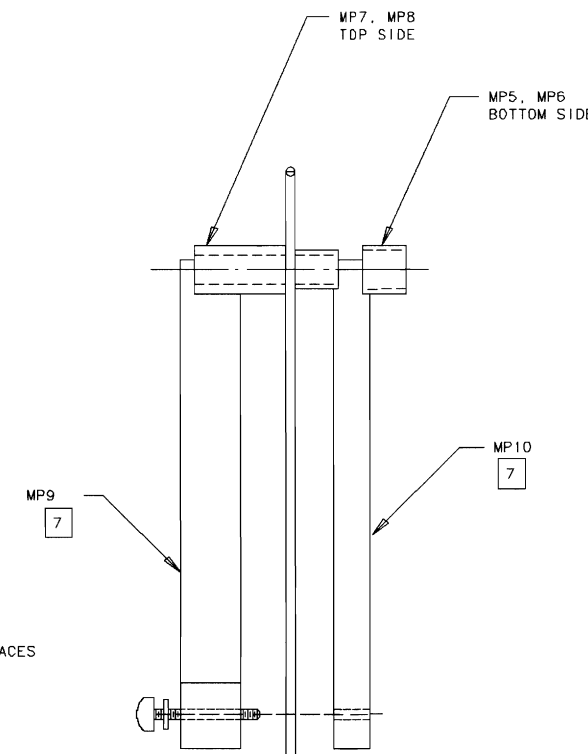
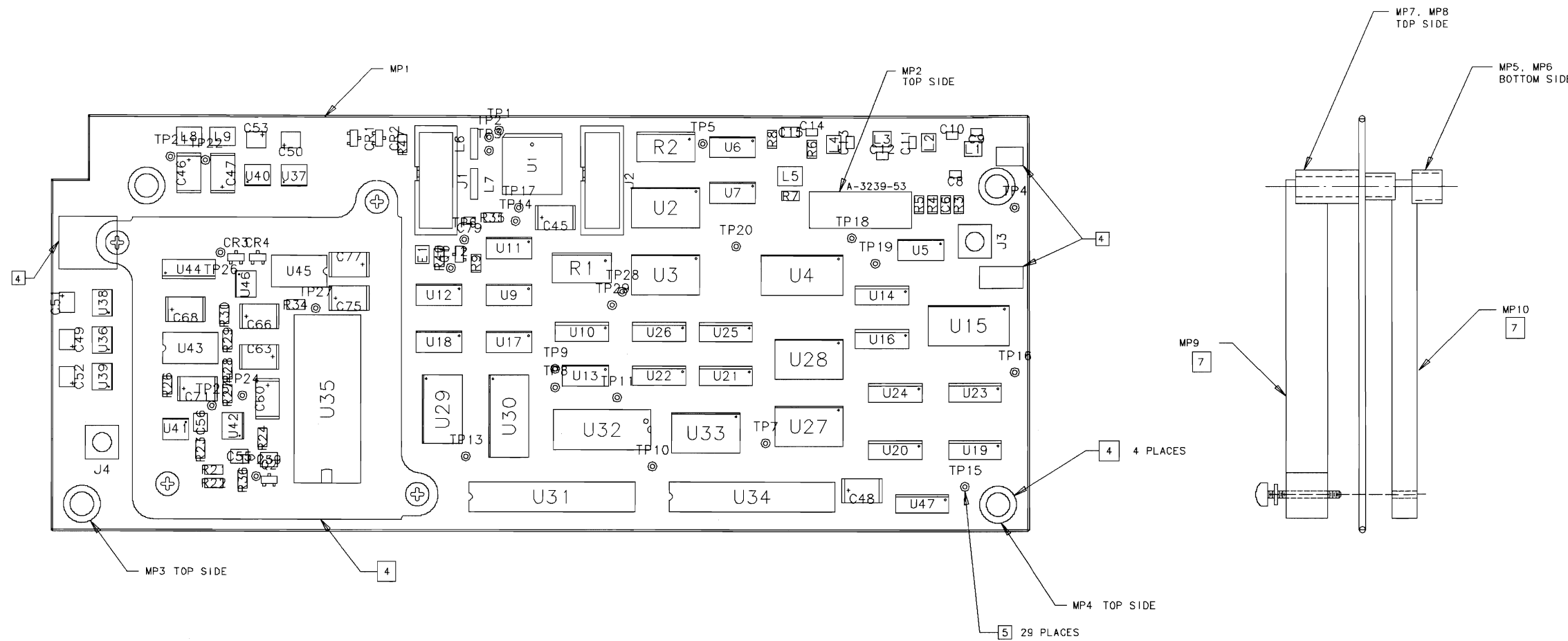
CLIP 08563-90076 5

Scans by ArtekMedia => 2009

HP Part Number 08563-60030
FADC (continued)

Reference Designator	HP Part Number	Qty	Description	Mfr Code	Mfr Part Number
U22	1820-5935	1	IC CNTR CMOS/AC BIN UP/DOWN SYNCHR 16-SO	02237	74AC169SC
U23	1820-7218	1	IC CNTR CMOS/AC BIN SYNCHRO	02237	74AC163SCX.
U24	1820-7218	1	IC CNTR CMOS/AC BIN SYNCHRO	02237	74AC163SCX.
U25	1820-7218	1	IC CNTR CMOS/AC BIN SYNCHRO	02237	74AC163SCX.
U26	1820-7218	1	IC CNTR CMOS/AC BIN SYNCHRO	02237	74AC163SCX.
U27	1820-5947	1	IC FF CMOS/ACT D-TYPE POS-EDGE-TRIG COM	36633	MC74ACT574DWR2
U28	1820-5947	1	IC FF CMOS/ACT D-TYPE POS-EDGE-TRIG COM	36633	MC74ACT574DWR2
U29	1820-5947	1	IC FF CMOS/ACT D-TYPE POS-EDGE-TRIG COM	36633	MC74ACT574DWR2
U30	1821-0402	1	IC FF CMOS/ACT D-TYPE POS-EDGE-TRIG COM	02237	74ACT823SCX.
U31	1820-2899	1	IC COMPTR TTL/AS MAGTD 8-BIT	01698	SN74AS885NT
U32	1818-4807	1	IC 256K-BIT SRAM 35-NS CMOS	14553	AS7C256-20JC OR -25JC, OR -35
U33	1820-6156	1	IC DRVR CMOS/ACT BUS OCTL	01698	SN74ACT244DW
U34	1820-2899	1	IC COMPTR TTL/AS MAGTD 8-BIT	01698	SN74AS885NT
U35	5087-8041	1	IC 10319 C1ADC08	28480	5087-8041
U36	1826-1402	1	IC PWR MGT-V-REG-FXD-POS 4.8/5.2V 8 PINS	03406	LM78L05ACM
U37	1826-1402	1	IC PWR MGT-V-REG-FXD-POS 4.8/5.2V 8 PINS	03406	LM78L05ACM
U38	1826-1783	1	IC PWR MGT-V-REG-FXD-NEG -4.8/-5.2V 8	03406	79L05ACM
U39	1826-1783	1	IC PWR MGT-V-REG-FXD-NEG -4.8/-5.2V 8	03406	79L05ACM
U40	1826-1783	1	IC PWR MGT-V-REG-FXD-NEG -4.8/-5.2V 8	03406	79L05ACM
U41	1826-1838	1	IC PWR MGT-V-REF-FXD 4.95/5.05V 8 PINS	10858	LT1021DCS8-5
U42	1826-2403	1	IC OP AMP LP DUAL 8 PIN PLSTC-SOIC	36633	MC33178DR2
U43	1826-2011	1	IC OP AMP WB 8 PIN DIP-P	03406	CLC400AJP
U44	1826-2145	1	ANALOG SWITCH 4 SPST 16 -P-SOIC	02883	DG413DY
U45	1826-2011	1	IC OP AMP WB 8 PIN DIP-P	03406	CLC400AJP
U46	1826-2403	1	IC OP AMP LP DUAL 8 PIN PLSTC-SOIC	36633	MC33178DR2
U47	1820-5935	1	IC CNTR CMOS/AC BIN UP/DOWN SYNCHR 16-SO	02237	74AC169SC

SYM	REVISIONS	APPROVED	DATE
A	AS ISSUED PER PCD 7466	IS	



NOTES: UNLESS OTHERWISE SPECIFIED

- USE RAW BOARD PART NUMBER 08563-20030.
- MAXIMUM HEIGHT FOR TOP SIDE COMPONENTS OUTSIDE SHIELD .390.
- MAXIMUM HEIGHT FOR TOP SIDE COMPONENTS UNDER SHIELD .230.
- MOUNTING HOLES, SHIELD MOUNTING SURFACES AND PROBE GROUND CLIP AREAS MUST BE FREE OF EXCESSIVE SOLDER.
- TP1-TP29 ARE NOT LOADED AND THE HOLES MUST BE FREE OF SOLDER. TP6, 12, 14 and 25 DO NOT HAVE A *TP* PREFIX.
- REWORK SPACING GUIDE LINES HAVE BEEN VIOLATED IN SOME AREAS. ADJACENT PARTS MAY NEED TO BE REMOVED TO REWORK SOME PARTS.
- DO NOT LOAD MP9 AND MP10.

TOP SIDE
SEE 08563-60030 FOR MATERIAL LIST

Scans by ArtekMedia => 2009

HP PROPRIETARY
THIS DOCUMENT CONTAINS CONFIDENTIAL
PROPRIETARY INFORMATION THAT IS
HEWLETT-PACKARD (HP) PROPERTY.
DO NOT DISCLOSE TO OR DUPLICATE FOR
OTHERS EXCEPT AS AUTHORIZED BY HP.

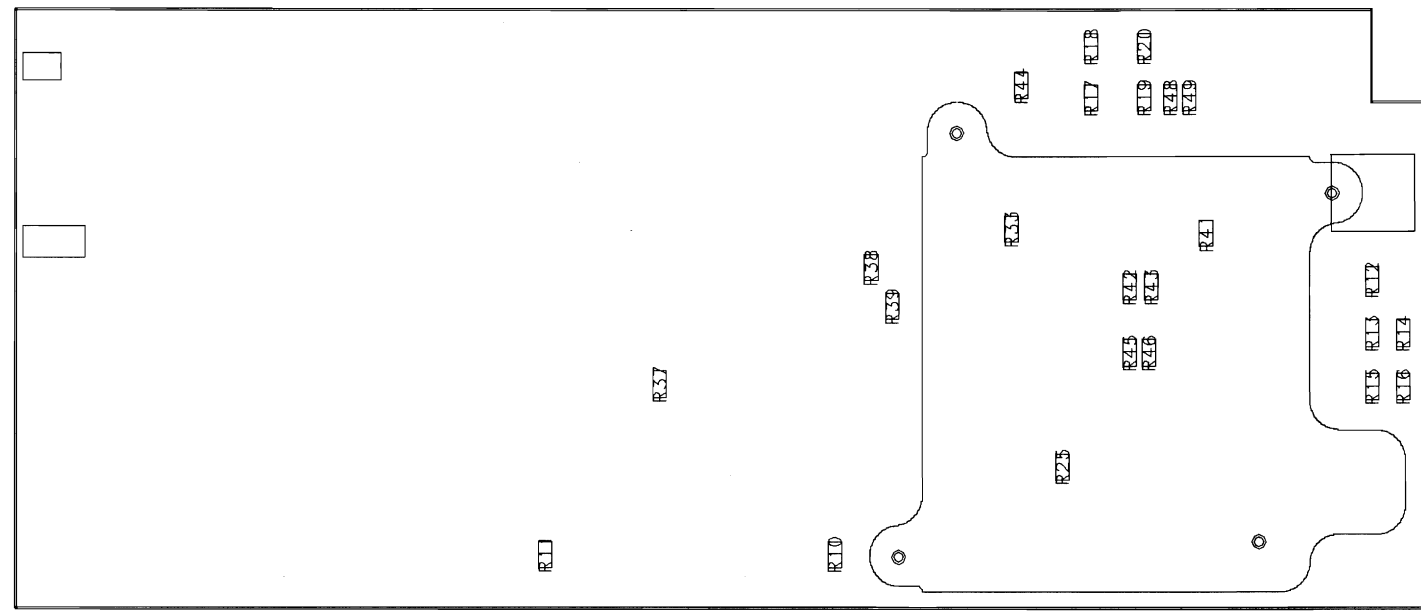
UNLESS OTHERWISE SPECIFIED,
DIMENSIONS ARE IN INCHES.
TOLERANCES: XX.XXX .010
 XX.XX .02
THIRD ANGLE
PROJECTION
DO NOT SCALE THIS DRAWING

DRAWN BY	DATE
ENGINEER/CHECKER	DATE
RELEASE TO PROD.	DATE
SUPSEDES DWG.	

ASSEMBLY, PWB
FAST ADC

FILENAME	HEWLETT PACKARD
SCALE NONE	
SHEET 1 OF 2	08563-60030 PART NUMBER
	D-08563-60030-2

SYM	REVISIONS	APPROVED	DATE
A	AS ISSUED PER PCD 7466	IS	



BOTTOM SIDE

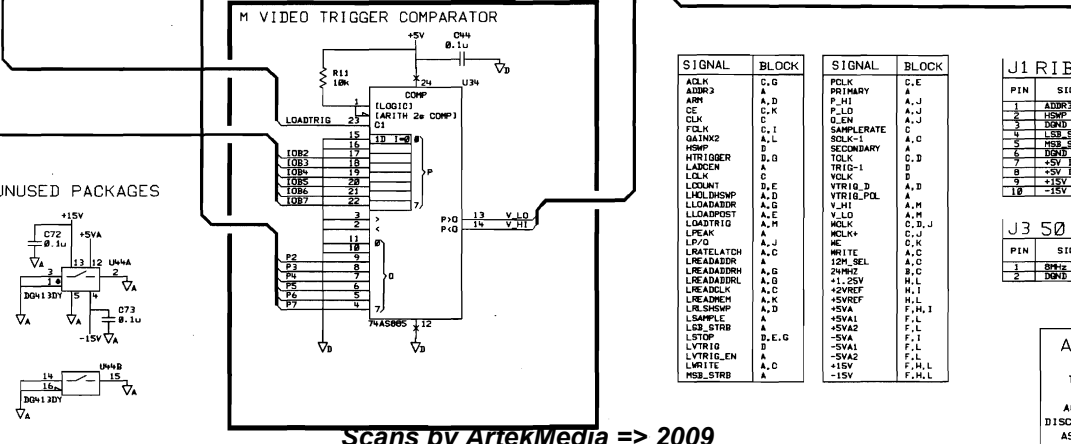
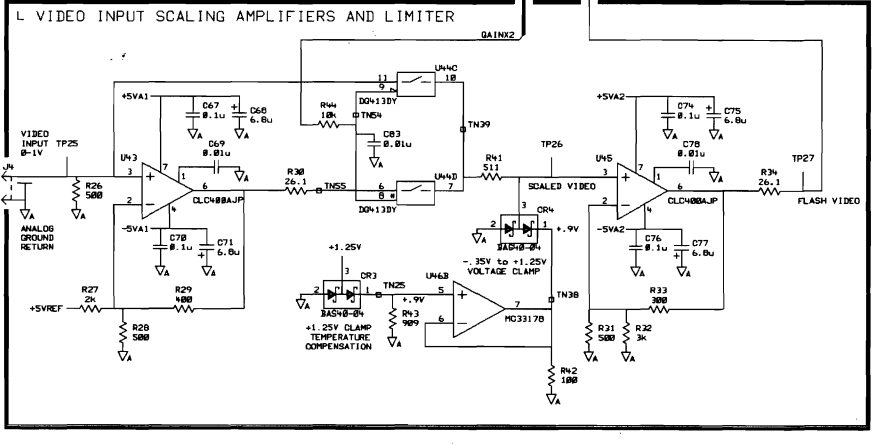
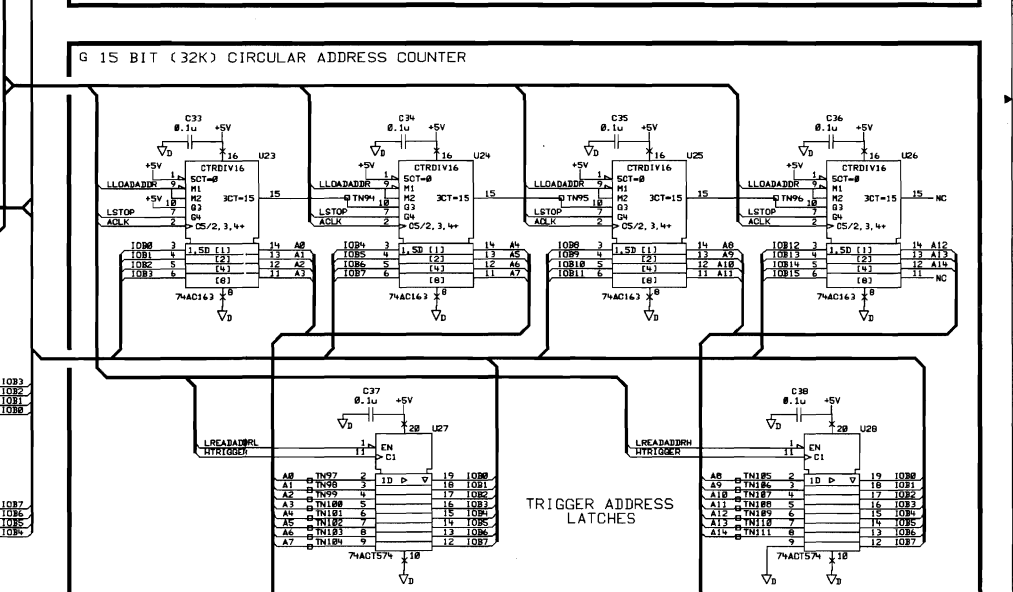
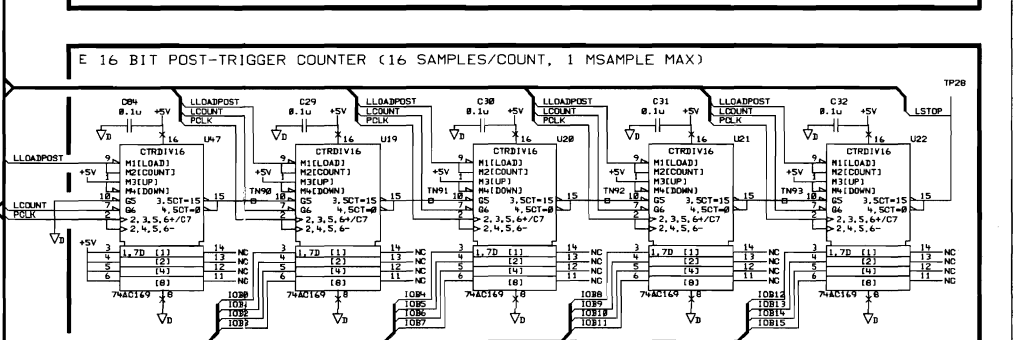
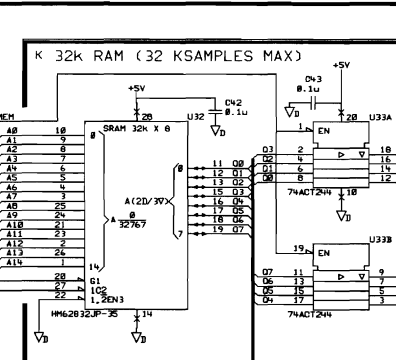
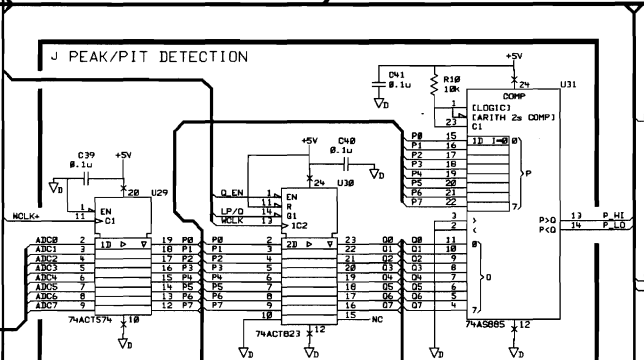
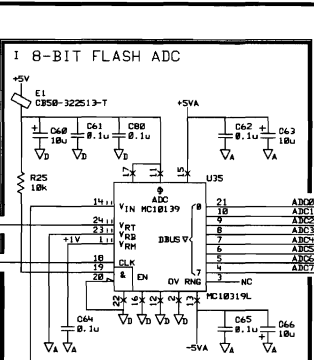
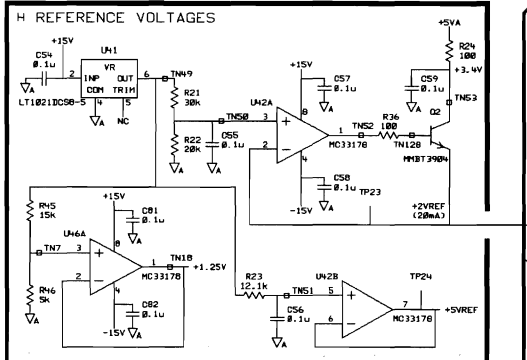
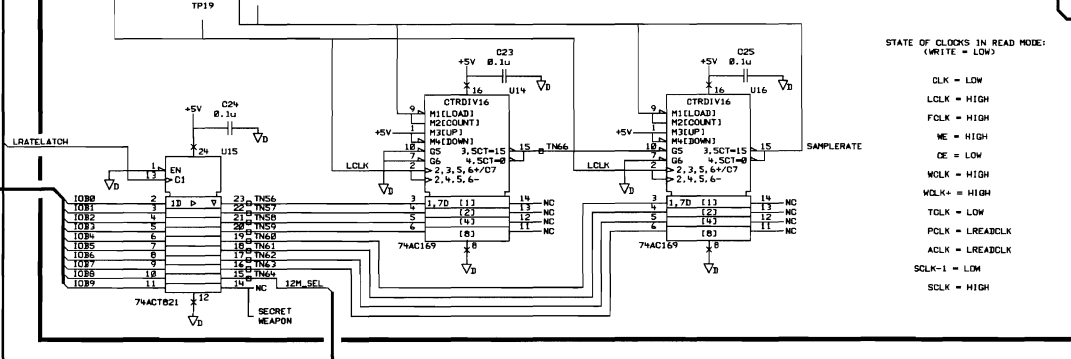
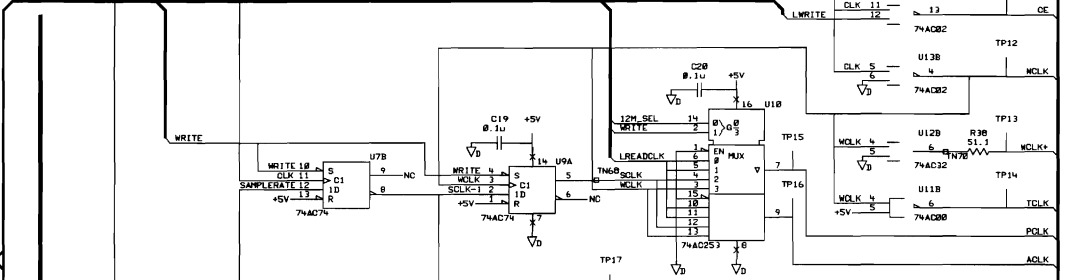
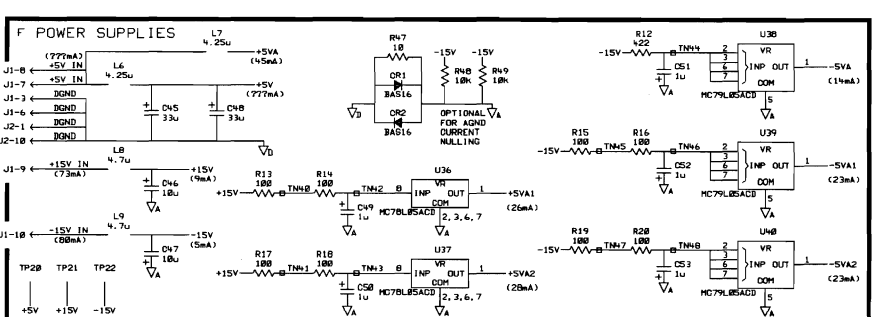
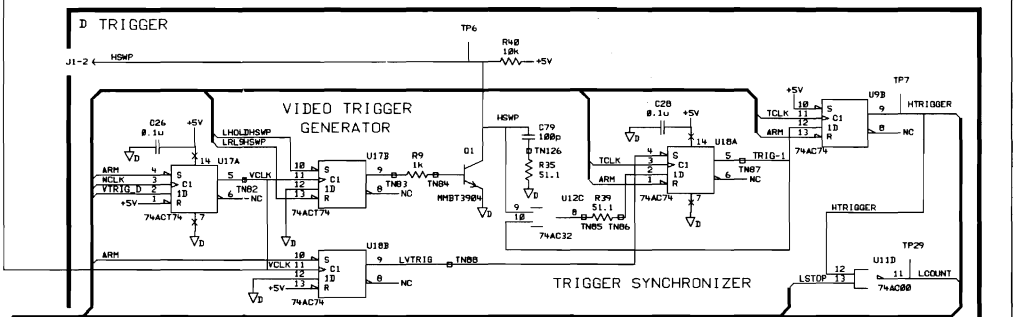
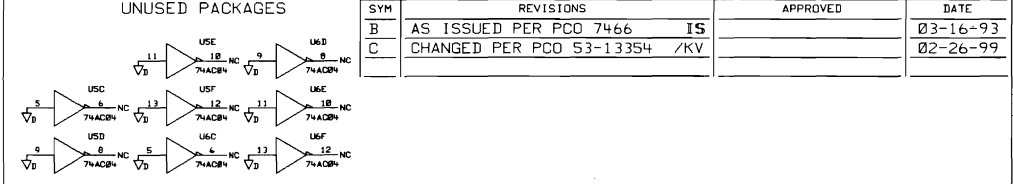
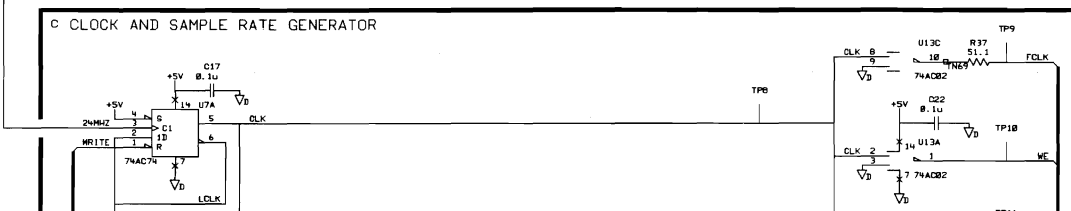
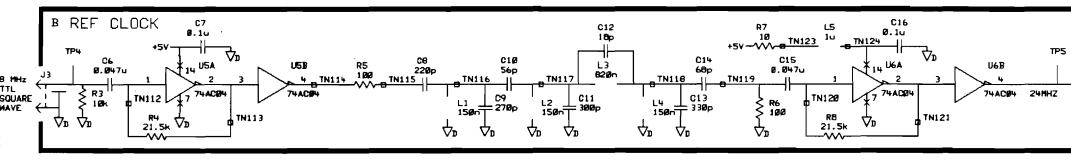
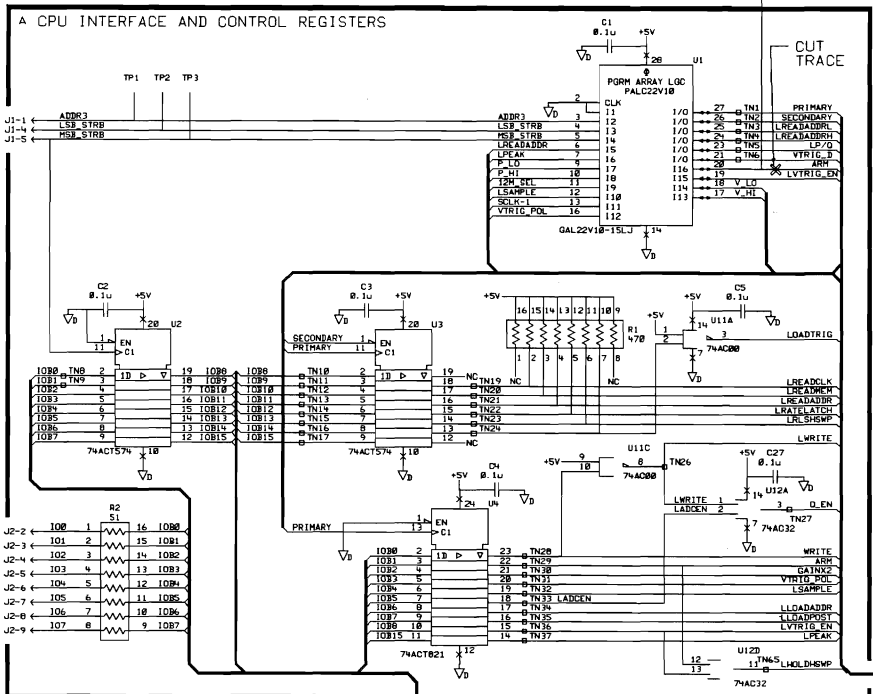
HP PROPRIETARY
 THIS DOCUMENT CONTAINS CONFIDENTIAL,
 PROPRIETARY INFORMATION THAT IS
 HEWLETT-PACKARD (HP) PROPERTY.
 DO NOT DISCLOSE TO OR DUPLICATE FOR
 OTHERS EXCEPT AS AUTHORIZED BY HP.

UNLESS OTHERWISE SPECIFIED,
 DIMENSIONS ARE IN INCHES.
 TOLERANCES: XX.XXX .010
 XX.XX .02
 THIRD ANGLE
 PROJECTION
 DO NOT SCALE THIS DRAWING

DRAWN BY	DATE
ENGINEER/CHECKER	DATE
RELEASE TO PROD.	DATE
SUPERSEDES DWG.	

ASSEMBLY, PWB
 FAST ADC
 TITLE

FILENAME	HEWLETT PACKARD
SCALE NONE	
SHEET 2 OF 2	08563-60030 PART NUMBER
	D-08563-60030-2



NOTES:

- REFERENCE DESIGNATORS WITHIN THIS ASSEMBLY ARE ABBREVIATED. PREFIX ABBREVIATION WITH ASSEMBLY NUMBER FOR COMPLETE REFERENCE DESIGNATOR.
- UNLESS OTHERWISE INDICATED: CAPACITANCE IN OHMS (Ω) INDICATED IN MICROSECONDS (μS).
- PHONETIC TABLE

J1 RIBBON CABLE #1	J2 RIBBON CABLE #2	TEST POINT	TEST POINT
PIN SIGNAL TO/FROM FUNCTION BLOCK	PIN SIGNAL TO/FROM FUNCTION BLOCK	TEST POINT	TEST POINT
1 ADDRESS CONTROLLER A	1 ADDR CONTROLLER A	1 ADDR	21 +15V
2 LSP_STRB CONTROLLER F	2 LSP_STRB CONTROLLER F	2 LSP_STRB	22 -15V
3 HSP_STRB CONTROLLER A	3 HSP_STRB CONTROLLER A	3 HSP_STRB	23 +5VREF
4 GND CONTROLLER A	4 GND CONTROLLER A	4 GND	24 +5VREF
5 LSP_STRB CONTROLLER A	5 LSP_STRB CONTROLLER A	5 LSP_STRB	25 DMIC
6 HSP_STRB CONTROLLER A	6 HSP_STRB CONTROLLER A	6 HSP_STRB	26 SCALED VIDEO
7 LSP_STRB CONTROLLER A	7 LSP_STRB CONTROLLER A	7 LSP_STRB	27 FLASH VIDEO
8 -15V IN CONTROLLER F	8 -15V IN CONTROLLER F	8 CLK	28 LSTOP
9 GND CONTROLLER A	9 GND CONTROLLER A	9 LSTOP	29 LSTOP
10 -15V IN CONTROLLER F	10 -15V IN CONTROLLER F	10 LSTOP	30 LSTOP
11 -15V IN CONTROLLER F	11 -15V IN CONTROLLER F	11 DE	31 DE
12 -15V IN CONTROLLER F	12 -15V IN CONTROLLER F	12 MCLK	32 MCLK
13 -15V IN CONTROLLER F	13 -15V IN CONTROLLER F	13 MCLK	33 MCLK
14 -15V IN CONTROLLER F	14 -15V IN CONTROLLER F	14 MCLK	34 MCLK
15 -15V IN CONTROLLER F	15 -15V IN CONTROLLER F	15 MCLK	35 MCLK
16 -15V IN CONTROLLER F	16 -15V IN CONTROLLER F	16 MCLK	36 MCLK
17 -15V IN CONTROLLER F	17 -15V IN CONTROLLER F	17 MCLK	37 MCLK
18 -15V IN CONTROLLER F	18 -15V IN CONTROLLER F	18 MCLK	38 MCLK
19 -15V IN CONTROLLER F	19 -15V IN CONTROLLER F	19 MCLK	39 MCLK
20 -15V IN CONTROLLER F	20 -15V IN CONTROLLER F	20 MCLK	40 MCLK

AGILENT TECHNOLOGIES RESTRICTED

THIS DOCUMENT CONTAINS CONFIDENTIAL, PROPRIETARY INFORMATION THAT IS AGILENT TECHNOLOGIES PROPERTY. DO NOT DISCLOSE TO OR DUPLICATE FOR OTHERS EXCEPT AS AUTHORIZED BY AGILENT TECHNOLOGIES.

DRAWN BY	DATE	SCHMATIC, PWA	FILENAME
ENGINEER/CHECKER	DATE	FAST ADC	SCALE NONE
RELEASE TO PROD.	DATE	TITLE	SHEET 1 OF 1
SUPERSEDES DWG.	DATE		8563-60030 PART NUMBER

Agilent Technologies
 B-08563-60030-1

Component-Level Information Packet for 08563-60122

CRT Driver



**HP Part No. 08563-90182
Printed in USA June 2000**

Notice. The information contained in this document is subject to change without notice.

Hewlett-Packard makes no warranty of any kind with regard to this material, including, but not limited to, the implied warranties of merchantability and fitness for a particular purpose. Hewlett-Packard shall not be liable for errors contained herein or for incidental or consequential damages in connection with the furnishing, performance, or use of this material.

©Copyright Hewlett-Packard Company 1990, 1991, 1992, 1993, 1994, 1995, 1996
All Rights Reserved. Reproduction, adaptation, or translation without prior written permission is prohibited, except as allowed under the copyright laws.

**HP Part Number 08563-60122
CRT Driver**

Reference Designator	HP Part Number	Qty	Description	Mfr Code	Mfr Part Number
C1	0160-3670	1	CAP-FXD 0.1uF +-20% 200 V CER Y5V	02010	SR302E104MAAH
C2	0160-4380	1	CAP-FXD 1pF +-25% 200 V CER C0G	06352	FD11C0G2D010C
C11	0160-7565	1	CAP-FXD 4700pF +-20% 6 kV CER Z5U	09538	828-597-Z5UO-472M
C12	0160-3670	1	CAP-FXD 0.1uF +-20% 200 V CER Y5V	02010	SR302E104MAAH
C13	0160-4051	1	CAP-FXD 0.01uF +-20% 4 kV POLYE-MET	01864	430PA59
C14	0160-4051	1	CAP-FXD 0.01uF +-20% 4 kV POLYE-MET	01864	430PA59
C20	0160-4380	1	CAP-FXD 1pF +-25% 200 V CER C0G	06352	FD11C0G2D010C
C30	0160-6420	1	CAP-FXD 4700pF +-20% 4 kV POLYE-MET	05524	0160-6420
C31	0160-4051	1	CAP-FXD 0.01uF +-20% 4 kV POLYE-MET	01864	430PA59
C50	0160-3670	1	CAP-FXD 0.1uF +-20% 200 V CER Y5V	02010	SR302E104MAAH
C51	0160-5899	1	CAP-FXD 7.5pF +-6.67% 200 V CER C0G	06352	DA12C0G2D7R5D
C52	0160-5899	1	CAP-FXD 7.5pF +-6.67% 200 V CER C0G	06352	DA12C0G2D7R5D
C70	0160-3670	1	CAP-FXD 0.1uF +-20% 200 V CER Y5V	02010	SR302E104MAAH
C71	0160-5899	1	CAP-FXD 7.5pF +-6.67% 200 V CER C0G	06352	DA12C0G2D7R5D
C72	0160-5899	1	CAP-FXD 7.5pF +-6.67% 200 V CER C0G	06352	DA12C0G2D7R5D
C90	0160-3670	1	CAP-FXD 0.1uF +-20% 200 V CER Y5V	02010	SR302E104MAAH
C91	0160-3670	1	CAP-FXD 0.1uF +-20% 200 V CER Y5V	02010	SR302E104MAAH
C92	0160-3670	1	CAP-FXD 0.1uF +-20% 200 V CER Y5V	02010	SR302E104MAAH
C101	0180-3831	1	CAP-FXD 10uF +-10% 35 V TA	12340	T398G106K035AS
C102	0180-3831	1	CAP-FXD 10uF +-10% 35 V TA	12340	T398G106K035AS
CR1	1901-1098	1	DIODE-SWITCHING 1N4150 50V 200MA 4NS	00746	1901-1098
CR2	1901-1098	1	DIODE-SWITCHING 1N4150 50V 200MA 4NS	00746	1901-1098
CR4	1901-0050	1	DIODE-SWITCHING 80V 200MA 2NS DO-35	02910	OF678
CR5	1901-1065	1	DIODE-PWR RECT 1N4936 400V 1A 200NS	12268	1N4936
CR10	1901-1214	1	DIODE-PWR RECT 600V 1A 50NS	36633	MUR160RL
CR21	1901-1098	1	DIODE-SWITCHING 1N4150 50V 200MA 4NS	00746	1901-1098
CR22	1901-1098	1	DIODE-SWITCHING 1N4150 50V 200MA 4NS	00746	1901-1098
CR24	1901-0050	1	DIODE-SWITCHING 80V 200MA 2NS DO-35	02910	OF678
CR25	1901-1065	1	DIODE-PWR RECT 1N4936 400V 1A 200NS	12268	1N4936
CR30	1901-1214	1	DIODE-PWR RECT 600V 1A 50NS	36633	MUR160RL
CR40	1901-1279	1	DIODE-SCHOTTKY 60V 1NS DO-34	02910	BAT83
CR41	1901-1279	1	DIODE-SCHOTTKY 60V 1NS DO-34	02910	BAT83
CR45	1901-1279	1	DIODE-SCHOTTKY 60V 1NS DO-34	02910	BAT83
CR46	1901-1279	1	DIODE-SCHOTTKY 60V 1NS DO-34	02910	BAT83
CR51	1901-1065	1	DIODE-PWR RECT 1N4936 400V 1A 200NS	12268	1N4936

*Indicates factory-selected value

CLIP 08563-90182 1

**HP Part Number 08563-60122
CRT Driver (continued)**

Reference Designator	HP Part Number	Qty	Description	Mfr Code	Mfr Part Number
CR52	1901-1065	1	DIODE-PWR RECT 1N4936 400V 1A 200NS	12268	1N4936
CR53	1901-1065	1	DIODE-PWR RECT 1N4936 400V 1A 200NS	12268	1N4936
CR54	1901-1065	1	DIODE-PWR RECT 1N4936 400V 1A 200NS	12268	1N4936
CR71	1901-1065	1	DIODE-PWR RECT 1N4936 400V 1A 200NS	12268	1N4936
CR72	1901-1065	1	DIODE-PWR RECT 1N4936 400V 1A 200NS	12268	1N4936
CR73	1901-1065	1	DIODE-PWR RECT 1N4936 400V 1A 200NS	12268	1N4936
CR74	1901-1065	1	DIODE-PWR RECT 1N4936 400V 1A 200NS	12268	1N4936
F13	2110-0669	1	FUSE-SUBMINIATURE .25A 125V NTD AX	04703	R251.250T1
F14	2110-0669	1	FUSE-SUBMINIATURE .25A 125V NTD AX	04703	R251.250T1
J1	1252-1325	1	CONN-POST TYPE .100-PIN-SPCG-MTG-END	04726	N2510-6002UB
J2	1252-2045	1	CONN-POST TYPE .100-PIN-SPCG-MTG-END	01380	644093-2
J3	1252-2046	1	CONN-POST TYPE .100-PIN-SPCG-MTG-END	01380	644223-1
J4	1252-1200	1	CONN-POST TYPE .100-PIN-SPCG-MTG-END	13369	68449-079
J5	1252-2044	1	CONN-POST TYPE .100-PIN-SPCG-MTG-END	01380	644222-1
J6	1252-1644	1	CONN-POST TYPE .156-PIN-SPCG-MTG-END	01380	644087-2
J7	1252-1645	1	CONN-POST TYPE .156-PIN-SPCG-MTG-END	01380	643734-2
L101	9140-0210	1	INDUCTOR RF-CH-MLD 100uH +-5%	05524	IM-4 100UH 5%
L102	9140-0210	1	INDUCTOR RF-CH-MLD 100uH +-5%	05524	IM-4 100UH 5%
MP5	1251-8616	1	CONN-POST TYPE .150-PIN-SPCG-MTG-END	01380	87221-3
MP6	1251-8616	1	CONN-POST TYPE .150-PIN-SPCG-MTG-END	01380	87221-3
MP7	5041-7248	1	TRAY-BOARD	28480	5041-7248
MP8	5041-8961	1	CRT DRIVER COVER	28480	5041-8961
MP9	0380-1513	1	STANDOFF-RVT-ON 5-MM-LG M3.0 X 0.5-THD	02121	0380-1513
MP10	0380-1513	1	STANDOFF-RVT-ON 5-MM-LG M3.0 X 0.5-THD	02121	0380-1513
MP11	0380-1513	1	STANDOFF-RVT-ON 5-MM-LG M3.0 X 0.5-THD	02121	0380-1513
MP12	0380-1513	1	STANDOFF-RVT-ON 5-MM-LG M3.0 X 0.5-THD	02121	0380-1513
Q1	1854-0523	1	TRANSISTOR NPN SI TO-39 PD=1W FT=150MHZ	11699	CEN837
Q2	1854-0523	1	TRANSISTOR NPN SI TO-39 PD=1W FT=150MHZ	11699	CEN837
Q20	1854-0523	1	TRANSISTOR NPN SI TO-39 PD=1W FT=150MHZ	11699	CEN837
Q21	1854-0523	1	TRANSISTOR NPN SI TO-39 PD=1W FT=150MHZ	11699	CEN837
Q50	1854-0215	1	TRANSISTOR NPN SI TO-92 PD=625MW	00746	2N3904
Q51	1854-0523	1	TRANSISTOR NPN SI TO-39 PD=1W FT=150MHZ	11699	CEN837
Q52	1854-0523	1	TRANSISTOR NPN SI TO-39 PD=1W FT=150MHZ	11699	CEN837
Q53	1854-0523	1	TRANSISTOR NPN SI TO-39 PD=1W FT=150MHZ	11699	CEN837
Q54	1854-0523	1	TRANSISTOR NPN SI TO-39 PD=1W FT=150MHZ	11699	CEN837

**HP Part Number 08563-60122
CRT Driver (continued)**

Reference Designator	HP Part Number	Qty	Description	Mfr Code	Mfr Part Number
Q55	1854-0215	1	TRANSISTOR NPN SI TO-92 PD=625MW	00746	2N3904
Q70	1854-0215	1	TRANSISTOR NPN SI TO-92 PD=625MW	00746	2N3904
Q71	1854-0523	1	TRANSISTOR NPN SI TO-39 PD=1W FT=150MHZ	11699	CEN837
Q72	1854-0523	1	TRANSISTOR NPN SI TO-39 PD=1W FT=150MHZ	11699	CEN837
Q73	1854-0523	1	TRANSISTOR NPN SI TO-39 PD=1W FT=150MHZ	11699	CEN837
Q74	1854-0523	1	TRANSISTOR NPN SI TO-39 PD=1W FT=150MHZ	11699	CEN837
Q75	1854-0215	1	TRANSISTOR NPN SI TO-92 PD=625MW	00746	2N3904
Q101	1854-0215	1	TRANSISTOR NPN SI TO-92 PD=625MW	00746	2N3904
Q102	1854-0215	1	TRANSISTOR NPN SI TO-92 PD=625MW	00746	2N3904
Q103	1854-0215	1	TRANSISTOR NPN SI TO-92 PD=625MW	00746	2N3904
R1	0757-0290	1	RESISTOR 6.19K +-1% .125W TF TC=0+-100	05524	CMF-556191FT-1
R2	0757-0470	1	RESISTOR 162K +-1% .125W TF TC=0+-100	06424	NK4H.125W1%+/-100PPM1623
R3	0698-3154	1	RESISTOR 4.22K +-1% .125W TF TC=0+-100	05524	CMF-554221FT-1
R4	2100-3207	1	RESISTOR-TRMR 5K 10% TKF SIDE-ADJ 1-TRN	03744	3386X-Y46-502
R5	0698-0083	1	RESISTOR 1.96K +-1% .125W TF TC=0+-100	06424	NK4H.125W1%+/-100PPM1961
R6	0757-0290	1	RESISTOR 6.19K +-1% .125W TF TC=0+-100	05524	CMF-556191FT-1
R7	0698-3156	1	RESISTOR 14.7K +-1% .125W TF TC=0+-100	05524	CMF-551472FT-1
R8	0698-3156	1	RESISTOR 14.7K +-1% .125W TF TC=0+-100	05524	CMF-551472FT-1
R9	0698-3156	1	RESISTOR 14.7K +-1% .125W TF TC=0+-100	05524	CMF-551472FT-1
R10	0757-0280	1	RESISTOR 1K +-1% .125W TF TC=0+-100	05524	CMF-551001FT-1
R11	2100-3355	1	RESISTOR-TRMR 100K 10% TKF SIDE-ADJ	03744	3386X-Y46-104
R12	0698-8827	1	RESISTOR 1M +-1% .125W TF TC=0+-100	05524	CMF-551004FT-1
R13	0757-0461	1	RESISTOR 68.1K +-1% .125W TF TC=0+-100	05524	CMF-556812FT-1
R14	0757-0442	1	RESISTOR 10K +-1% .125W TF TC=0+-100	05524	CMF-551002FT-1
R15	0757-0442	1	RESISTOR 10K +-1% .125W TF TC=0+-100	05524	CMF-551002FT-1
R18	0757-0417	1	RESISTOR 562 +-1% .125W TF TC=0+-100	05524	CMF-555620FT-1
R20	0757-0428	1	RESISTOR 1.62K +-1% .125W TF TC=0+-100	05524	CMF-551621FT-1
R21	2100-3352	1	RESISTOR-TRMR 1K 10% TKF SIDE-ADJ 1-TRN	03744	3386X-Y46-102
R23	0757-0438	1	RESISTOR 5.11K +-1% .125W TF TC=0+-100	06424	NK4H.125W1%+/-100PPM5111
R24	0757-0439	1	RESISTOR 6.81K +-1% .125W TF TC=0+-100	05524	CMF-556811FT-1
R26	2100-3352	1	RESISTOR-TRMR 1K 10% TKF SIDE-ADJ 1-TRN	03744	3386X-Y46-102
R27	0698-3151	1	RESISTOR 2.87K +-1% .125W TF TC=0+-100	05524	CMF-552871FT-1
R28	0757-0290	1	RESISTOR 6.19K +-1% .125W TF TC=0+-100	05524	CMF-556191FT-1
R29	0698-3156	1	RESISTOR 14.7K +-1% .125W TF TC=0+-100	05524	CMF-551472FT-1
R30	0698-3156	1	RESISTOR 14.7K +-1% .125W TF TC=0+-100	05524	CMF-551472FT-1

*Indicates factory-selected value

**HP Part Number 08563-60122
CRT Driver (continued)**

Reference Designator	HP Part Number	Qty	Description	Mfr Code	Mfr Part Number
R31	0757-0280	1	RESISTOR 1K +-1% .125W TF TC=0+-100	05524	CMF-551001FT-1
R32	0698-8959	1	RESISTOR 619K +-1% .125W TF TC=0+-100	05524	CMF-556193FT-1
R33	0699-0172	1	RESISTOR 3M +-5% 1W TF TC=0+-200	04314	104
R34	2100-3626	1	RESISTOR-TRMR 2M 20% TKF SIDE-ADJ 1-TRN	03744	3386X-Y46-205
R35	0699-0171	1	RESISTOR 6.5M +-5% 1W TF TC=0+-250	04314	104
R36	0698-8827	1	RESISTOR 1M +-1% .125W TF TC=0+-100	05524	CMF-551004FT-1
R40	0757-0465	1	RESISTOR 100K +-1% .125W TF TC=0+-100	05524	CMF-551003FT-1
R41	0757-0465	1	RESISTOR 100K +-1% .125W TF TC=0+-100	05524	CMF-551003FT-1
R42	0757-0465	1	RESISTOR 100K +-1% .125W TF TC=0+-100	05524	CMF-551003FT-1
R43	0757-0465	1	RESISTOR 100K +-1% .125W TF TC=0+-100	05524	CMF-551003FT-1
R44	0757-0447	1	RESISTOR 16.2K +-1% .125W TF TC=0+-100	05524	CMF-551622FT-1
R45	0757-0447	1	RESISTOR 16.2K +-1% .125W TF TC=0+-100	05524	CMF-551622FT-1
R46	0757-0199	1	RESISTOR 21.5K +-1% .125W TF TC=0+-100	06424	NK4H.125W1%+/-100PPM2152
R51	0757-0280	1	RESISTOR 1K +-1% .125W TF TC=0+-100	05524	CMF-551001FT-1
R52	0698-3156	1	RESISTOR 14.7K +-1% .125W TF TC=0+-100	05524	CMF-551472FT-1
R53	0698-3156	1	RESISTOR 14.7K +-1% .125W TF TC=0+-100	05524	CMF-551472FT-1
R54	0757-0280	1	RESISTOR 1K +-1% .125W TF TC=0+-100	05524	CMF-551001FT-1
R55	2100-3207	1	RESISTOR-TRMR 5K 10% TKF SIDE-ADJ 1-TRN	03744	3386X-Y46-502
R56	0757-0280	1	RESISTOR 1K +-1% .125W TF TC=0+-100	05524	CMF-551001FT-1
R57	2100-3351	1	RESISTOR-TRMR 500 10% TKF SIDE-ADJ 1-TRN	03744	3386X-Y46-501
R58	0757-0280	1	RESISTOR 1K +-1% .125W TF TC=0+-100	05524	CMF-551001FT-1
R60	0698-3156	1	RESISTOR 14.7K +-1% .125W TF TC=0+-100	05524	CMF-551472FT-1
R61	0698-3156	1	RESISTOR 14.7K +-1% .125W TF TC=0+-100	05524	CMF-551472FT-1
R62	0698-3444	1	RESISTOR 316 +-1% .125W TF TC=0+-100	06424	NK4H.125W1%+/-100PPM316R0
R63	0757-0280	1	RESISTOR 1K +-1% .125W TF TC=0+-100	05524	CMF-551001FT-1
R64	0757-0280	1	RESISTOR 1K +-1% .125W TF TC=0+-100	05524	CMF-551001FT-1
R71	0757-0280	1	RESISTOR 1K +-1% .125W TF TC=0+-100	05524	CMF-551001FT-1
R72	0698-3156	1	RESISTOR 14.7K +-1% .125W TF TC=0+-100	05524	CMF-551472FT-1
R73	0698-3156	1	RESISTOR 14.7K +-1% .125W TF TC=0+-100	05524	CMF-551472FT-1
R74	0757-0419	1	RESISTOR 681 +-1% .25W TF TC=0+-100	06424	NK4H.25W1%+/-100PPM681
R75	2100-3207	1	RESISTOR-TRMR 2K 10% TKF SIDE-ADJ 1-TRN	03744	3386X-Y46-202
R76	0757-0280	1	RESISTOR 1K +-1% .125W TF TC=0+-100	05524	CMF-551001FT-1
R77	2100-3351	1	RESISTOR-TRMR 500 10% TKF SIDE-ADJ 1-TRN	03744	3386X-Y46-501
R78	0757-0280	1	RESISTOR 1K +-1% .125W TF TC=0+-100	05524	CMF-551001FT-1
R80	0698-3156	1	RESISTOR 14.7K +-1% .125W TF TC=0+-100	05524	CMF-551472FT-1

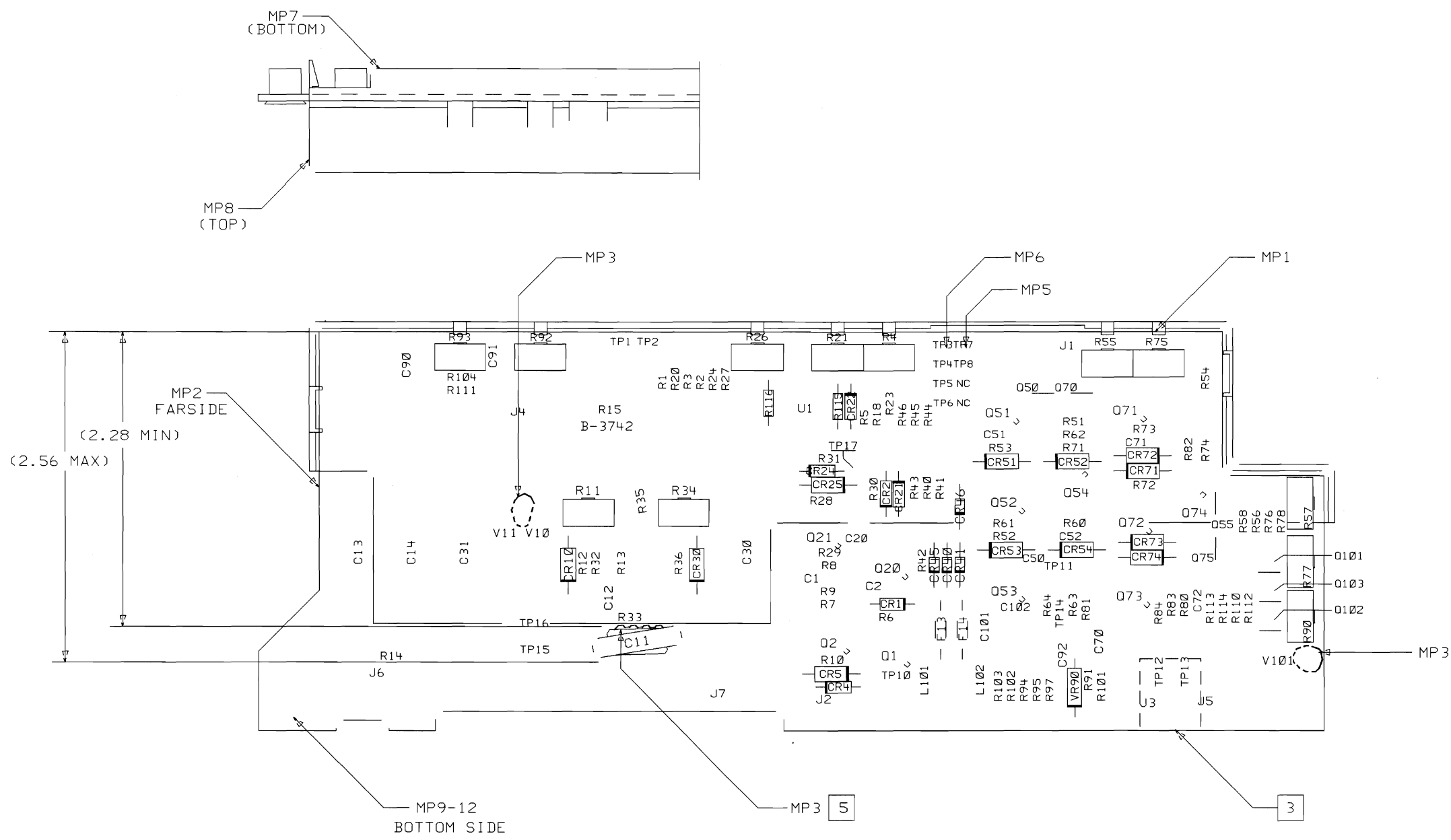
**HP Part Number 08563-60122
CRT Driver (continued)**

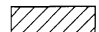
Reference Designator	HP Part Number	Qty	Description	Mfr Code	Mfr Part Number
R81	0698-3156	1	RESISTOR 14.7K +-1% .125W TF TC=0+-100	05524	CMF-551472FT-1
R82	0698-3444	1	RESISTOR 316 +-1% .125W TF TC=0+-100	06424	NK4H.125W1%+/-100PPM316R0
R83	0757-0280	1	RESISTOR 1K +-1% .125W TF TC=0+-100	05524	CMF-551001FT-1
R84	0757-0280	1	RESISTOR 1K +-1% .125W TF TC=0+-100	05524	CMF-551001FT-1
R90	2100-3274	1	RESISTOR-TRMR 10K 10% TKF SIDE-ADJ 1-TRN	03744	3386X-Y46-103
R91	0698-3160	1	RESISTOR 31.6K +-1% .125W TF TC=0+-100	06424	NK4H.125W1%+/-100PPM3162
R92	2100-3357	1	RESISTOR-TRMR 500K 10% TKF SIDE-ADJ	09939	2100-3357
R93	2100-3357	1	RESISTOR-TRMR 500K 10% TKF SIDE-ADJ	09939	2100-3357
R94	0757-0280	1	RESISTOR 1K +-1% .125W TF TC=0+-100	05524	CMF-551001FT-1
R95	0757-0280	1	RESISTOR 1K +-1% .125W TF TC=0+-100	05524	CMF-551001FT-1
R97	0699-3546	1	RESISTOR 1K +-0.1% .6W TF TC=0+-10	33830	B0207B1K000B
R101	0757-0465	1	RESISTOR 100K +-1% .125W TF TC=0+-100	05524	CMF-551003FT-1
R102	0757-0463	1	RESISTOR 82.5K +-1% .125W TF TC=0+-100	05524	CMF-558252FT-1
R103	0757-0465	1	RESISTOR 100K +-1% .125W TF TC=0+-100	05524	CMF-551003FT-1
R104	0757-0346	1	RESISTOR 10 +-1% .125W TF TC=0+-100	06424	NK4H.125W1%+/-100PPM10R0
R110	0698-3446	1	RESISTOR 383 +-1% .125W TF TC=0+-100	05524	CMF-553830FT-1
R111	0757-0442	1	RESISTOR 10K +-1% .125W TF TC=0+-100	05524	CMF-551002FT-1
R112	0757-0428	1	RESISTOR 1.62K +-1% .125W TF TC=0+-100	05524	CMF-551621FT-1
R113	0698-3446	1	RESISTOR 383 +-1% .125W TF TC=0+-100	05524	CMF-553830FT-1
R114	0698-3446	1	RESISTOR 383 +-1% .125W TF TC=0+-100	05524	CMF-553830FT-1
R115	0698-7226	1	RESISTOR 383 +-1% .05W TF TC=0+-100	05524	CMF-503830FT-1
R116	0698-7226	1	RESISTOR 383 +-1% .05W TF TC=0+-100	05524	CMF-503830FT-1
U1	1826-0547	1	IC OP AMP LOW-BIAS-H-IMPED DUAL 8 PIN	01698	TL072ACP
V10	2140-0586	1	LAMP-GLOW A9A-CT 83/62VDC 700MA T-2-BULB	09448	NE2U-1
V11	2140-0586	1	LAMP-GLOW A9A-CT 83/62VDC 700MA T-2-BULB	09448	NE2U-1
V101	2140-0586	1	LAMP-GLOW A9A-CT 83/62VDC 700MA T-2-BULB	09448	NE2U-1
VR90	1902-3357	1	DIODE-ZNR 56.2V 5% DO-7 PD=.4W TC=+.081%	02688	DZ730826F

*Indicates factory-selected value

CLIP 08563-90182 5

S300		D-08563-60122-2	
SYM	REVISIONS	APPROVED	DATE
A	AS ISSUED PER PCO 53-10734		
B	CHANGED PER PCO 53-11504 /GH		
C	CHANGED PER PCO 53-12103 /KV		

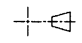


- NOTES: UNLESS OTHERWISE SPECIFIED.
1. MAXIMUM COMPONENT HEIGHT .433
 2. MAXIMUM LEAD TRIM LENGTH .118
 3. NO COMPONENTS ARE TO BE LOADED IN THIS AREA.
 4. TEST POINTS ON MATERIAL LIST ARE SHOWN FOR REFERENCE ONLY.
 5. C11 IS ADHERED TO R33 USING MP3 AS SHOWN.
 6.  HATCHED COMPONENTS ARE NOT LOADED ON THIS ASSEMBLY.
 7. RAW BOARD NUMBER = 08563-20122


SEE 08563-60122 MATERIAL LIST

Scans by ArtekMedia => 2009

AGILENT TECHNOLOGIES
RESTRICTED
THIS DOCUMENT CONTAINS CONFIDENTIAL,
PROPRIETARY INFORMATION THAT IS
AGILENT TECHNOLOGIES PROPERTY. DO NOT
DISCLOSE TO OR DUPLICATE FOR OTHERS EXCEPT
AS AUTHORIZED BY AGILENT TECHNOLOGIES.

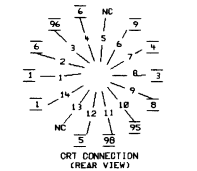
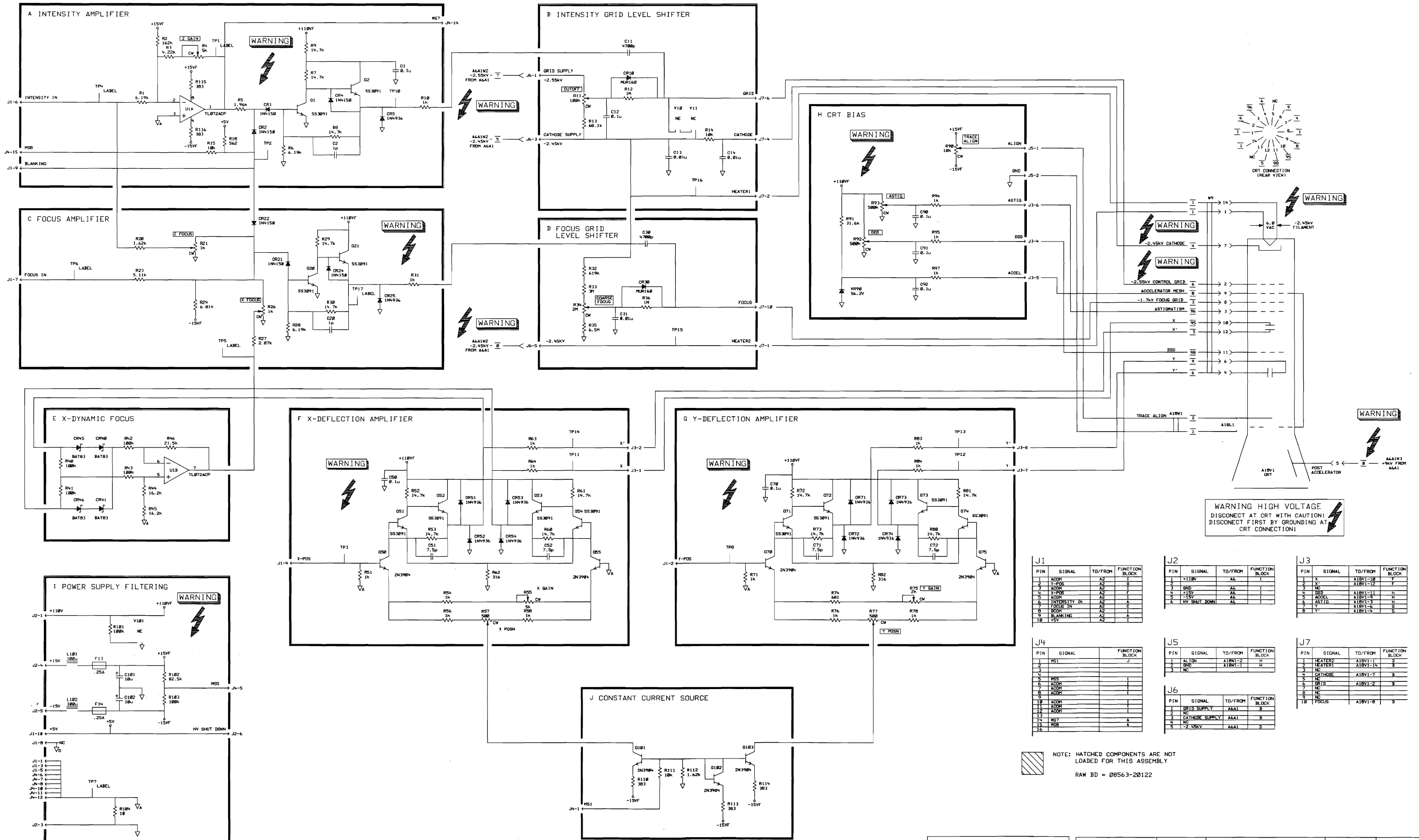
UNLESS OTHERWISE SPECIFIED, DIMENSIONS ARE IN INCHES.	DRAWN BY	DATE
TOLERANCES: XX.XXX ±.010 XX.XX ±.02	ENGINEER/CHECKER	DATE
THIRD ANGLE PROJECTION 	RELEASE TO PROD.	DATE
DO NOT SCALE THIS DRAWING	SUPSEDES DWG.	

ASSEMBLY, PWB
CRT DRIVER

FILENAME elect122	
SCALE NONE	
SHEET 1 OF 1	08563-60122 PART NUMBER
D-08563-60122-2	

TITLE

5300	BB3742	08563-60122-1
REVISIONS		APPROVED
DATE		DATE
A	AS ISSUED PER PCO 10734	08-18-97
B	CHNG PER PCO 53-11504/11611	10-14-97
C	CHANGED PER PCO 53-12103 /KV	03-13-98



J1	PIN	SIGNAL	TO/FROM	FUNCTION BLOCK
	1	ADOFF	AS	0
	2	X-POS	AS	0
	3	ADOFF	AS	0
	4	X-POS	AS	0
	5	ADOFF	AS	0
	6	INTENSITY IN	AS	1
	7	FOCUS IN	AS	0
	8	ADOFF	AS	0
	9	BLANKING	AS	0
	10	Y-POS	AS	0

J2	PIN	SIGNAL	TO/FROM	FUNCTION BLOCK
	1	+118V	AS	1
	2	X	A1B1-10	F
	3	Y	A1B1-12	F
	4	ADOFF	AS	1
	5	-15V	AS	1
	6	INTENSITY IN	AS	1
	7	Y	A1B1-11	H
	8	ADOFF	AS	1
	9	Y	A1B1-13	H
	10	Y	A1B1-14	G
	11	Y	A1B1-15	G

J3	PIN	SIGNAL	TO/FROM	FUNCTION BLOCK
	1	X	A1B1-10	F
	2	X	A1B1-12	F
	3	NC		
	4	ADOFF	A1B1-11	H
	5	ADOFF	A1B1-13	H
	6	ADOFF	A1B1-14	G
	7	Y	A1B1-15	G
	8	Y	A1B1-16	G
	9	Y	A1B1-17	G
	10	Y	A1B1-18	G

J4	PIN	SIGNAL	FUNCTION BLOCK
	1	MS1	J
	2	MS1	J
	3	MS1	J
	4	MS1	J
	5	MS1	J
	6	MS1	J
	7	MS1	J
	8	MS1	J
	9	MS1	J
	10	MS1	J
	11	MS1	J
	12	MS1	J
	13	MS1	J
	14	MS1	J
	15	MS1	J
	16	MS1	J

J5	PIN	SIGNAL	TO/FROM	FUNCTION BLOCK
	1	ALIGN	A1B1-2	H
	2	NC	A1B1-1	H
	3	NC	A1B1-3	H
	4	NC		
	5	NC		
	6	CATHODE	A1B1-7	B
	7	NC		
	8	NC	A1B1-2	B
	9	NC		
	10	NC		
	11	NC		
	12	NC		
	13	NC		
	14	NC		
	15	NC		
	16	NC		

J6	PIN	SIGNAL	TO/FROM	FUNCTION BLOCK
	1	GRID SUPPLY	AA1	B
	2	NC		
	3	CATHODE SUPPLY	AA1	B
	4	NC		
	5	-2.5KV	AA1	D

J7	PIN	SIGNAL	TO/FROM	FUNCTION BLOCK
	1	HEATER1	A1B1-1	B
	2	HEATER2	A1B1-14	B
	3	NC		
	4	NC		
	5	NC		
	6	NC		
	7	NC		
	8	NC		
	9	NC		
	10	FOCUS	A1B1-8	B

WARNING HIGH VOLTAGE
DISCONNECT AT CRT WITH CAUTION!
DISCONNECT FIRST BY GROUNDING AT
CRT CONNECTION!

NOTE: HATCHED COMPONENTS ARE NOT LOADED FOR THIS ASSEMBLY
RAW BD = 08563-20122

AGILENT TECHNOLOGIES
RESTRICTED
THIS DOCUMENT CONTAINS CONFIDENTIAL,
PROPRIETARY INFORMATION THAT IS
AGILENT TECHNOLOGIES PROPERTY. DO NOT
DISCLOSE TO OR DUPLICATE FOR OTHERS EXCEPT
AS AUTHORIZED BY AGILENT TECHNOLOGIES.

DRAWN BY	DATE
ENGINEER/CHECKER	DATE
RELEASE TO PROD.	DATE
SUPERSEDES DWG.	

SCHMATIC, PWA
CRT DRIVER

slact122	Agilent Technologies
FILENAME	
SCALE	NONE
SHEET 1 OF 1	08563-60122
PART NUMBER	
08563-60122-1	

Component-Level Information Packet for 08563-60161

LCD Driver



**HP Part No. 08563-90221
Printed in USA June 2000**

Notice. The information contained in this document is subject to change without notice.

Hewlett-Packard makes no warranty of any kind with regard to this material, including, but not limited to, the implied warranties of merchantability and fitness for a particular purpose. Hewlett-Packard shall not be liable for errors contained herein or for incidental or consequential damages in connection with the furnishing, performance, or use of this material.

**HP Part Number 08563-60161
LCD Driver**

Reference Designator	HP Part Number	Qty	Description	Mfr Code	Mfr Part Number
C1	0180-3755	1	CAP-FXD 33uF +-20% 10 V TA	02010	TAJD336M010
C2	0160-7798	1	CAP-FXD 0.1uF +-10% 50 V CER X7R	06352	C2012X7R1H104K
C3	0160-7798	1	CAP-FXD 0.1uF +-10% 50 V CER X7R	06352	C2012X7R1H104K
C4	0160-7798	1	CAP-FXD 0.1uF +-10% 50 V CER X7R	06352	C2012X7R1H104K
C5	0160-7798	1	CAP-FXD 0.1uF +-10% 50 V CER X7R	06352	C2012X7R1H104K
C6	0160-7798	1	CAP-FXD 0.1uF +-10% 50 V CER X7R	06352	C2012X7R1H104K
C7	0180-4287	1	CAP-FXD 10uF +-20% 35 V TA	02010	TAJD106M035
C8	0160-5953	1	CAP-FXD 270pF +-5% 50 V CER C0G	02010	08055C271JAT A
C9	0160-5953	1	CAP-FXD 270pF +-5% 50 V CER C0G	02010	08055C271JAT A
C10	0180-3755	1	CAP-FXD 33uF +-20% 10 V TA	02010	TAJD336M010
C11	0180-3755	1	CAP-FXD 33uF +-20% 10 V TA	02010	TAJD336M010
C12	0160-7862	1	CAP-FXD 470pF +-10% 50 V CER X7R	02010	06035C471KAT
C13	0160-7798	1	CAP-FXD 0.1uF +-10% 50 V CER X7R	06352	C2012X7R1H104K
C14	0160-7798	1	CAP-FXD 0.1uF +-10% 50 V CER X7R	06352	C2012X7R1H104K
C15	0160-7862	1	CAP-FXD 470pF +-10% 50 V CER X7R	02010	06035C471KAT
C16	0160-7798	1	CAP-FXD 0.1uF +-10% 50 V CER X7R	06352	C2012X7R1H104K
C17	0160-7798	1	CAP-FXD 0.1uF +-10% 50 V CER X7R	06352	C2012X7R1H104K
C18	0160-7798	1	CAP-FXD 0.1uF +-10% 50 V CER X7R	06352	C2012X7R1H104K
C19	0180-4287	1	CAP-FXD 10uF +-20% 35 V TA	02010	TAJD106M035
C20	0160-7256	1	CAP-FXD 9pF +-2.78% 50 V CER C0G	02010	08055A9ROCAT-A
C21	0160-7373	1	CAP-FXD 11pF +-5% 50 V CER C0G	06352	C2012C0G1H110JT
C22	0160-5968	1	CAP-FXD 82pF +-5% 50 V CER C0G	02010	08051A820JAT A
C23	0160-7798	1	CAP-FXD 0.1uF +-10% 50 V CER X7R	06352	C2012X7R1H104K
C24	0160-7862	1	CAP-FXD 470pF +-10% 50 V CER X7R	02010	06035C471KAT
C25	0160-7798	1	CAP-FXD 0.1uF +-10% 50 V CER X7R	06352	C2012X7R1H104K
C26	0160-7798	1	CAP-FXD 0.1uF +-10% 50 V CER X7R	06352	C2012X7R1H104K
C27	0160-7798	1	CAP-FXD 0.1uF +-10% 50 V CER X7R	06352	C2012X7R1H104K
C28	0160-5968	1	CAP-FXD 82pF +-5% 50 V CER C0G	02010	08051A820JAT A
C29	0160-7798	1	CAP-FXD 0.1uF +-10% 50 V CER X7R	06352	C2012X7R1H104K
C30	0160-7798	1	CAP-FXD 0.1uF +-10% 50 V CER X7R	06352	C2012X7R1H104K
C31	0160-7798	1	CAP-FXD 0.1uF +-10% 50 V CER X7R	06352	C2012X7R1H104K
C32	0160-7798	1	CAP-FXD 0.1uF +-10% 50 V CER X7R	06352	C2012X7R1H104K
C33	0160-7798	1	CAP-FXD 0.1uF +-10% 50 V CER X7R	06352	C2012X7R1H104K
C34	0160-7798	1	CAP-FXD 0.1uF +-10% 50 V CER X7R	06352	C2012X7R1H104K
C35	0160-7798	1	CAP-FXD 0.1uF +-10% 50 V CER X7R	06352	C2012X7R1H104K

**Indicates factory-selected value*

CLIP 08563-90221 1

Scans by ArtekMedia => 2009

**HP Part Number 08563-60161
LCD Driver (continued)**

Reference Designator	HP Part Number	Qty	Description	Mfr Code	Mfr Part Number
C36	0160-7798	1	CAP-FXD 0.1uF +-10% 50 V CER X7R	06352	C2012X7R1H104K
C37	0160-7798	1	CAP-FXD 0.1uF +-10% 50 V CER X7R	06352	C2012X7R1H104K
C38	0160-7798	1	CAP-FXD 0.1uF +-10% 50 V CER X7R	06352	C2012X7R1H104K
C39	0160-7798	1	CAP-FXD 0.1uF +-10% 50 V CER X7R	06352	C2012X7R1H104K
C40	0160-7798	1	CAP-FXD 0.1uF +-10% 50 V CER X7R	06352	C2012X7R1H104K
C41	0160-7798	1	CAP-FXD 0.1uF +-10% 50 V CER X7R	06352	C2012X7R1H104K
C42	0180-4287	1	CAP-FXD 10uF +-20% 35 V TA	02010	TAJD106M035
C43	0160-7798	1	CAP-FXD 0.1uF +-10% 50 V CER X7R	06352	C2012X7R1H104K
C44	0160-7798	1	CAP-FXD 0.1uF +-10% 50 V CER X7R	06352	C2012X7R1H104K
C45	0160-7798	1	CAP-FXD 0.1uF +-10% 50 V CER X7R	06352	C2012X7R1H104K
C46	0160-7798	1	CAP-FXD 0.1uF +-10% 50 V CER X7R	06352	C2012X7R1H104K
C47	0160-7798	1	CAP-FXD 0.1uF +-10% 50 V CER X7R	06352	C2012X7R1H104K
C48	0160-7798	1	CAP-FXD 0.1uF +-10% 50 V CER X7R	06352	C2012X7R1H104K
J1	1252-5582	1	CONN-RECT MICRORBN 80-CKT 80-CONT	01380	2-557102-1
J2	1251-8105	1	CONN-POST TYPE .100-PIN-SPCG-MTG-END	04726	2516-6002UB
J3	1252-0501	1	CONN-POST TYPE .100-PIN-SPCG-MTG-END	01380	103361-2
J4	1252-1325	1	CONN-POST TYPE .100-PIN-SPCG-MTG-END	04726	N2510-6002UB
J5	1252-6028	1	CONN-RECT MICRORBN 31-CKT 31-CONT	06369	DF9B-31P-1V
J6	1252-3841	1	CONN-POST TYPE .100-PIN-SPCG-MTG-END	01380	103361-3
J7	1250-1611	1	CONNECTOR-RF SMB MALE SGL-HOLE-RR 50-OHM	04486	51-051-0289
L1	9140-1206	1	INDUCTOR 100nH +-5% 2.8W-mmX3.4LG-mm	06352	NL322522T-R10J
L2	9140-1206	1	INDUCTOR 100nH +-5% 2.8W-mmX3.4LG-mm	06352	NL322522T-R10J
L3	9140-1236	1	INDUCTOR 1uH +-5% 2.8W-mmX3.4LG-mm Q=30	06352	NL322522T-1R0J
L4	9140-1206	1	INDUCTOR 100nH +-5% 2.8W-mmX3.4LG-mm	06352	NL322522T-R10J
L5	9140-1509	1	INDUCTOR 2.2uH +-5% 2.8W-mmX3.4LG-mm	06352	NL322522T-2R2J
L6	9140-1206	1	INDUCTOR 100nH +-5% 2.8W-mmX3.4LG-mm	06352	NL322522T-R10J
L7	9140-1206	1	INDUCTOR 100nH +-5% 2.8W-mmX3.4LG-mm	06352	NL322522T-R10J
MP2	0380-1513	1	STANDOFF-RVT-ON 5-MM-LG M3.0 X 0.5-THD	02121	0380-1513
MP3	0380-1513	1	STANDOFF-RVT-ON 5-MM-LG M3.0 X 0.5-THD	02121	0380-1513
R1	0699-3970	1	RESISTOR 10K +-1% .063W TKF TC=0+-200	09891	RK73H1J1002F
R2	0699-3970	1	RESISTOR 10K +-1% .063W TKF TC=0+-200	09891	RK73H1J1002F
R3	0699-3970	1	RESISTOR 10K +-1% .063W TKF TC=0+-200	09891	RK73H1J1002F
R4	0699-3970	1	RESISTOR 10K +-1% .063W TKF TC=0+-200	09891	RK73H1J1002F
R5	0699-3970	1	RESISTOR 10K +-1% .063W TKF TC=0+-200	09891	RK73H1J1002F
R6	0699-3970	1	RESISTOR 10K +-1% .063W TKF TC=0+-200	09891	RK73H1J1002F

**HP Part Number 08563-60161
LCD Driver (continued)**

Reference Designator	HP Part Number	Qty	Description	Mfr Code	Mfr Part Number
R7	0699-3970	1	RESISTOR 10K +-1% .063W TKF TC=0+-200	09891	RK73H1J1002F
R8	0699-3970	1	RESISTOR 10K +-1% .063W TKF TC=0+-200	09891	RK73H1J1002F
R9	0699-3963	1	RESISTOR 4.64K +-1% .063W TKF TC=0+-200	09891	RK73H1J4641F
R10	0699-3959	1	RESISTOR 3.16K +-1% .063W TKF TC=0+-200	00746	MCR03-F-3161
R11	0699-3959	1	RESISTOR 3.16K +-1% .063W TKF TC=0+-200	00746	MCR03-F-3161
R12	0699-3959	1	RESISTOR 3.16K +-1% .063W TKF TC=0+-200	00746	MCR03-F-3161
R13	0699-3924	1	RESISTOR 100 +-1% .063W TKF TC=0+-200	00746	MCR03-F-1000
R14	0699-3924	1	RESISTOR 100 +-1% .063W TKF TC=0+-200	00746	MCR03-F-1000
R15	0699-3970	1	RESISTOR 10K +-1% .063W TKF TC=0+-200	09891	RK73H1J1002F
R16	0699-3970	1	RESISTOR 10K +-1% .063W TKF TC=0+-200	09891	RK73H1J1002F
R17	0699-3970	1	RESISTOR 10K +-1% .063W TKF TC=0+-200	09891	RK73H1J1002F
R18	0699-3970	1	RESISTOR 10K +-1% .063W TKF TC=0+-200	09891	RK73H1J1002F
R19	0699-3968	1	RESISTOR 8.25K +-1% .063W TKF TC=0+-200	09891	RK73H1J8251F
R20	0699-3959	1	RESISTOR 3.16K +-1% .063W TKF TC=0+-200	00746	MCR03-F-3161
R21	0699-3959	1	RESISTOR 3.16K +-1% .063W TKF TC=0+-200	00746	MCR03-F-3161
R22	0699-3924	1	RESISTOR 100 +-1% .063W TKF TC=0+-200	00746	MCR03-F-1000
R23	0699-3970	1	RESISTOR 10K +-1% .063W TKF TC=0+-200	09891	RK73H1J1002F
R24	0699-3970	1	RESISTOR 10K +-1% .063W TKF TC=0+-200	09891	RK73H1J1002F
R25	0699-3970	1	RESISTOR 10K +-1% .063W TKF TC=0+-200	09891	RK73H1J1002F
R26	0699-3970	1	RESISTOR 10K +-1% .063W TKF TC=0+-200	09891	RK73H1J1002F
R27	0699-3959	1	RESISTOR 3.16K +-1% .063W TKF TC=0+-200	00746	MCR03-F-3161
R28	0699-3970	1	RESISTOR 10K +-1% .063W TKF TC=0+-200	09891	RK73H1J1002F
R29	0699-3921	1	RESISTOR 75 +-1% .063W TKF TC=0+-200	00746	MCR03-F-75R0
R30	0699-3921	1	RESISTOR 75 +-1% .063W TKF TC=0+-200	00746	MCR03-F-75R0
R31	0699-3921	1	RESISTOR 75 +-1% .063W TKF TC=0+-200	00746	MCR03-F-75R0
R32	0699-3366	1	RESISTOR 562 +-1% .065W TKF TC=0+-200	09891	RK73H1J5620F
U1	1826-3282	1	IC PWR MGT-V-REG-L-DRPOUT 3.235/3.365V 3	10858	LT1587CM-3.3
U2	1821-3601	1	IC-ASIC FL-CSTM CMOS 6417707	06347	HD6417707RS60
U3	08563-80098	1		28480	08563-80098
U4	1826-4383	1	IC COMPARATOR DUAL 8-SOIC (uMAX)	11302	MAX962EUA
U5	1826-4383	1	IC COMPARATOR DUAL 8-SOIC (uMAX)	11302	MAX962EUA
U6	08563-80100	1		28480	08563-80100
U7	1818-6729	1	DRAM 1MX16 60 NS SOJ EDO 42-SOJ 3.3V	06347	HM51W18165CJ-6
U8	1818-6729	1	DRAM 1MX16 60 NS SOJ EDO 42-SOJ 3.3V	06347	HM51W18165CJ-6
U9	1818-6848	1	IC 1M-BIT SRAM 15-NS CMOS	06354	TC55V1664J-15

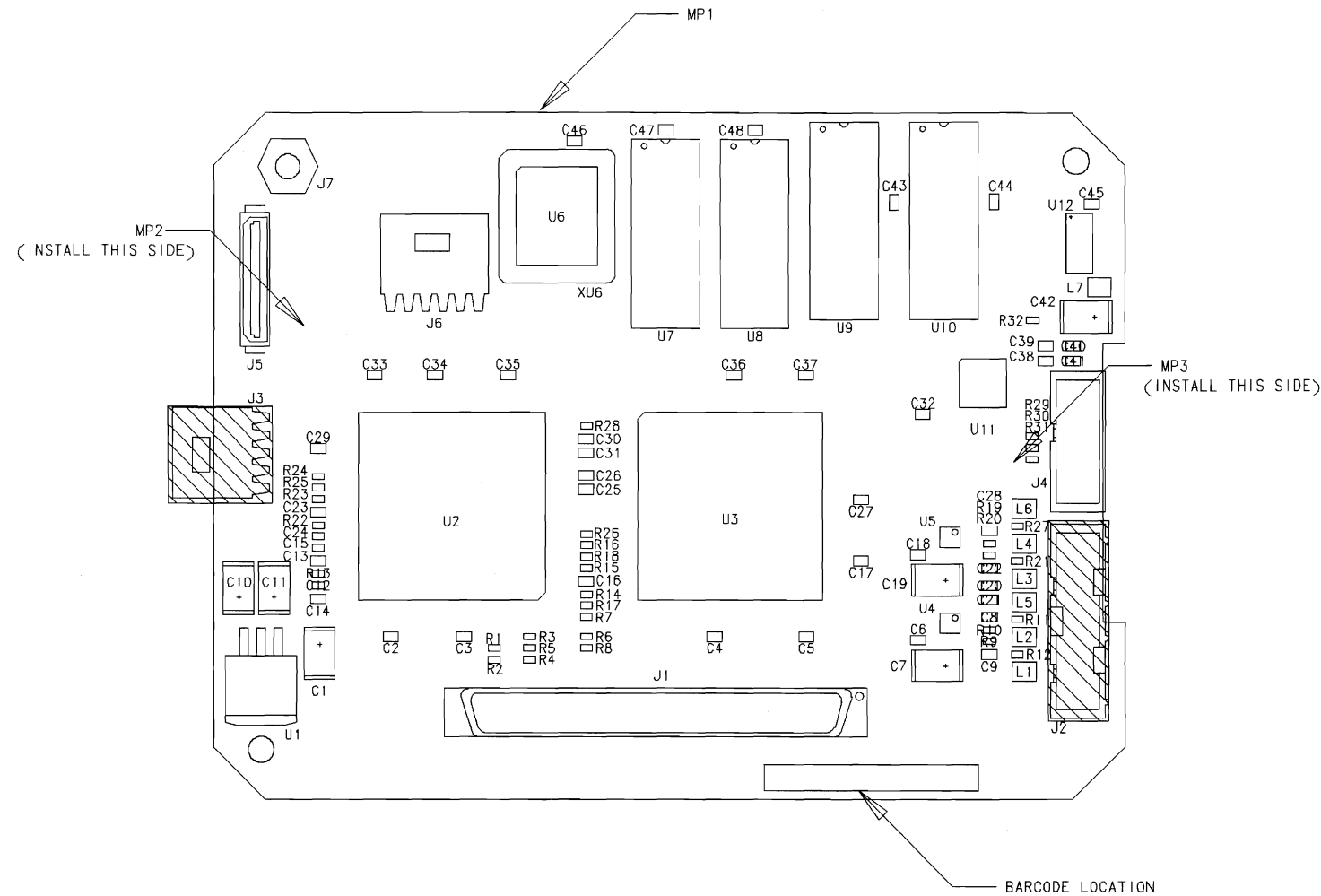
**Indicates factory-selected value*

CLIP 08563-90221 3

Scans by ArtekMedia => 2009

**HP Part Number 08563-60161
LCD Driver (continued)**

Reference Designator	HP Part Number	Qty	Description	Mfr Code	Mfr Part Number
U10	1818-6848	1	IC 1M-BIT SRAM 15-NS CMOS	06354	TC55V1664J-15
U11	1826-4384	1	VIDEODAC 10-BIT TRIPLE 48-PQFP	03285	ADV7123KST50
U12	1820-5939	1	IC INV CMOS/ACT HEX	02237	74ACT04SCX.
XU6	1200-1593	1	SOCKET-IC-PLCC 32-CONT RECTGLR J-LEAD	13369	PLCC-32P-T-SMT-TR



NOTES: UNLESS OTHERWISE SPECIFIED

- 1 SEE MATERIAL LIST: 08563-60161
- 2 THIS ASSEMBLY USES RAW BOARD NUMBER: 08563-20161
- 3 THIS BOARD CONTAINS .010" VIAS IN PADS: YES NO
- 4 THIS ASSEMBLY CONTAINS CROSSHATCHED COMPONENTS WHICH ARE NOT LOADED: YES NO

TOPSIDE

Scans by ArtekMedia => 2009

HP RESTRICTED
THIS DOCUMENT CONTAINS CONFIDENTIAL,
PROPRIETARY INFORMATION THAT IS
HEWLETT-PACKARD (HP) PROPERTY.
DO NOT DISCLOSE TO OR DUPLICATE FOR
OTHERS EXCEPT AS AUTHORIZED BY HP.

UNLESS OTHERWISE SPECIFIED,
DIMENSIONS ARE IN INCHES.

TOLERANCES: XX.XXX .010
 XX.XX .02

THIRD ANGLE
PROJECTION

DO NOT SCALE THIS DRAWING

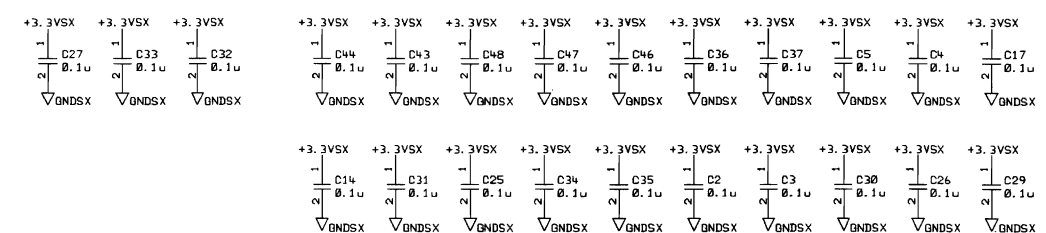
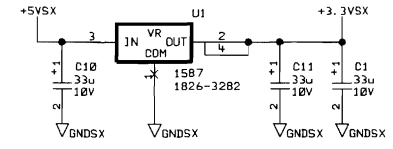
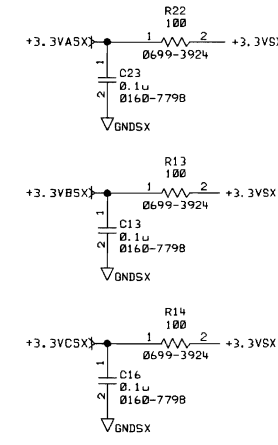
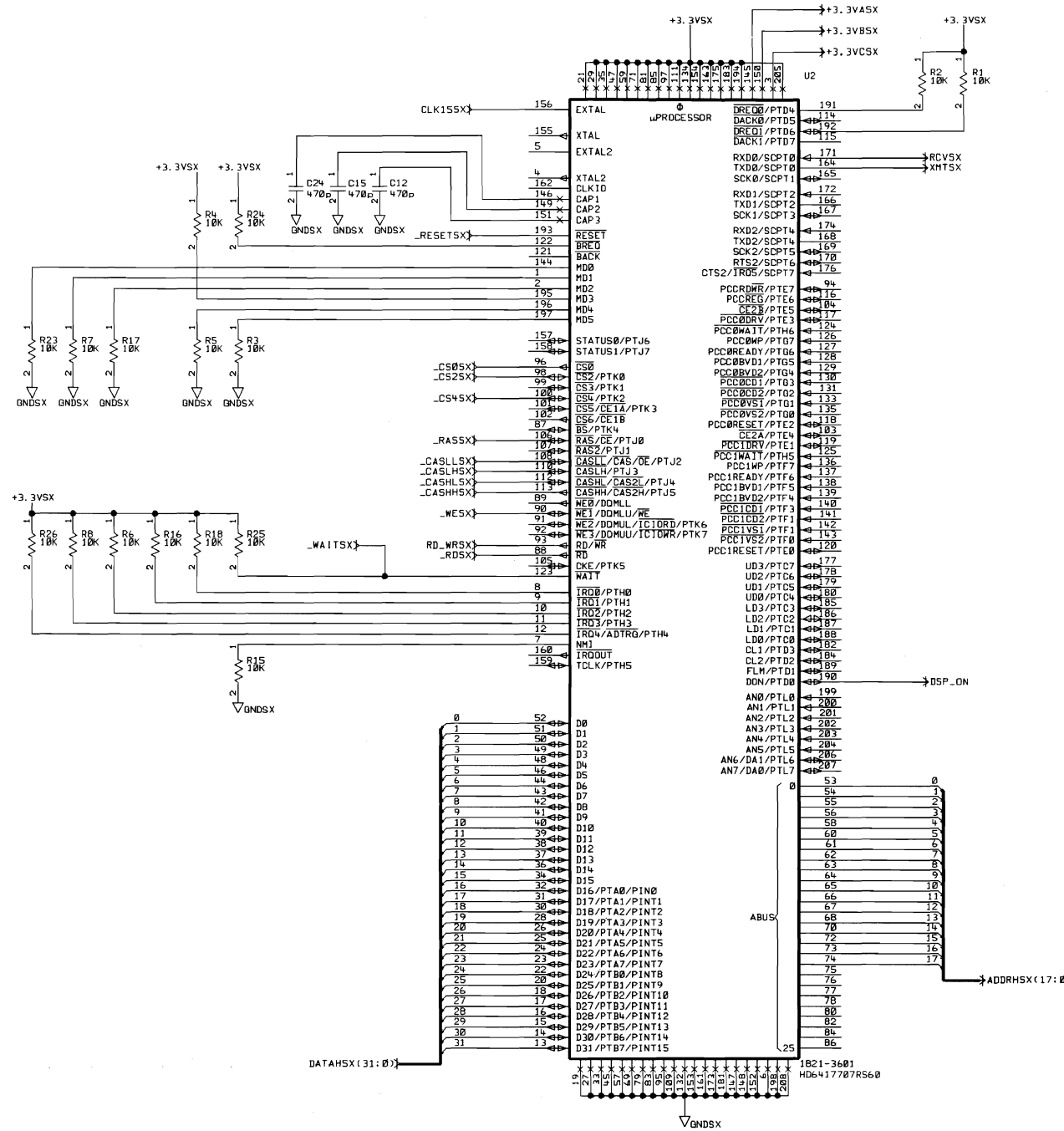
DRAWN BY	DATE
ENGINEER/CHECKER	DATE
RELEASE TO PROD.	DATE
SUPERSEDES DWG.	

ASSEMBLY, PWB
FIREFLY
LCD DRIVER BOARD

TITLE

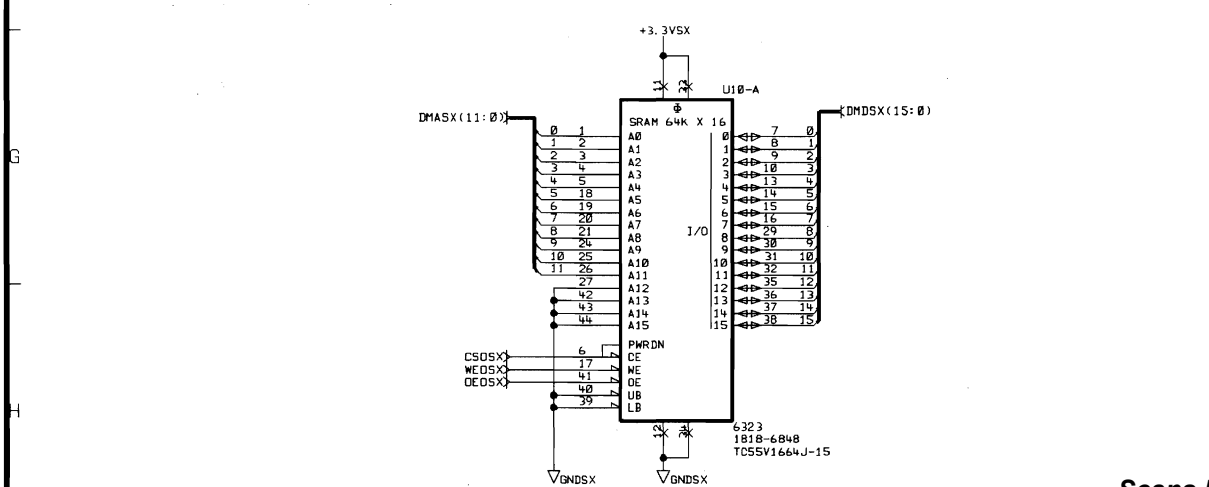
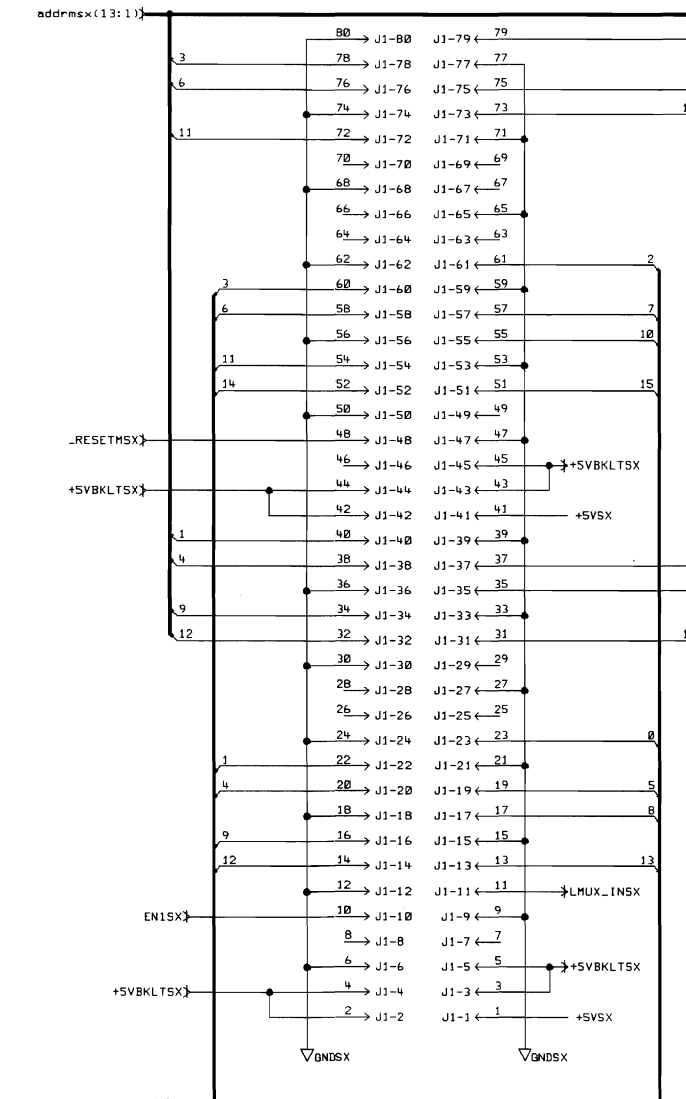
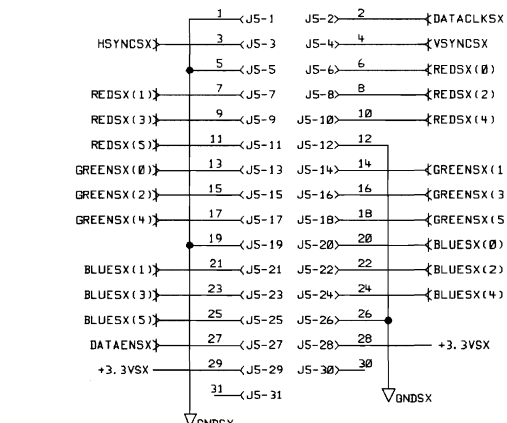
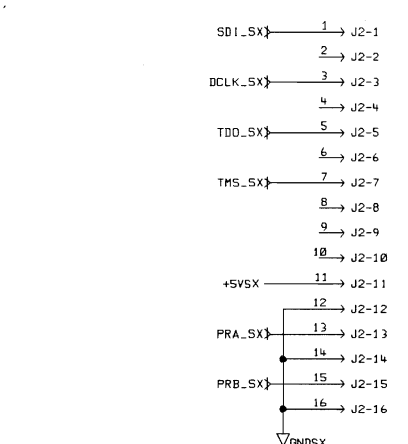
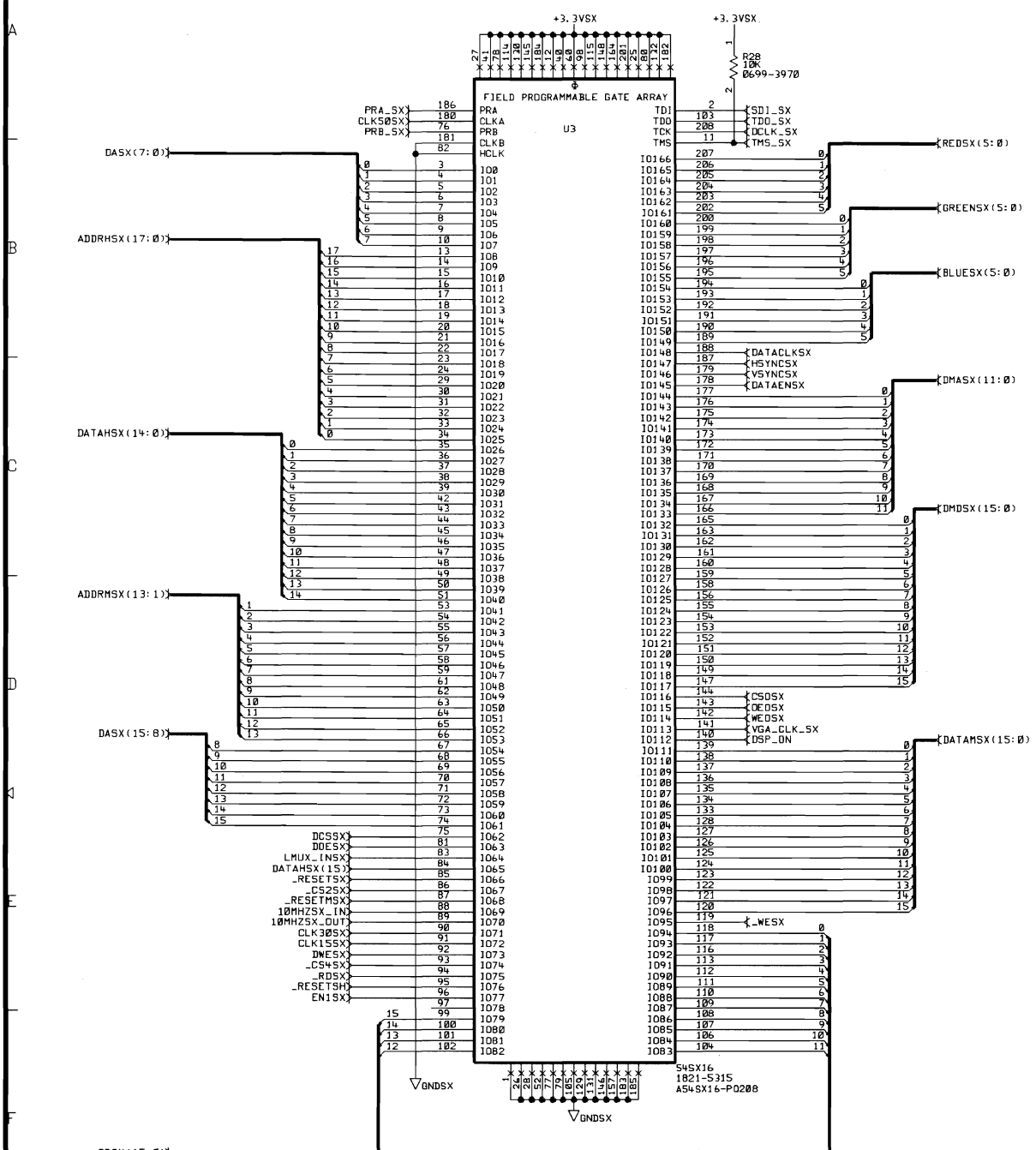
MENTOR FILENAME	HEWLETT PACKARD
SCALE NONE	08563-60161
SHEET 1 OF 1	PART NUMBER
D-08563-60161-2	

REV	INFORMATION	APPROVED	DATE
A	AS ISSUED PER ECO#53-856XEC-4		
B	PER ECO 53-856XEC-9 /BC		
C	PER ECO 53-856XEC-10 /TM		
D	PER ECO 53-12640 /PJW	S.WALKER/	12-06-99



AGILENT TECHNOLOGIES
 RESTRICTED
 THIS DOCUMENT CONTAINS CONFIDENTIAL,
 PROPRIETARY INFORMATION THAT IS
 AGILENT TECHNOLOGIES PROPERTY. DO NOT
 DISCLOSE TO OR DUPLICATE FOR OTHERS EXCEPT
 AS AUTHORIZED BY AGILENT TECHNOLOGIES.

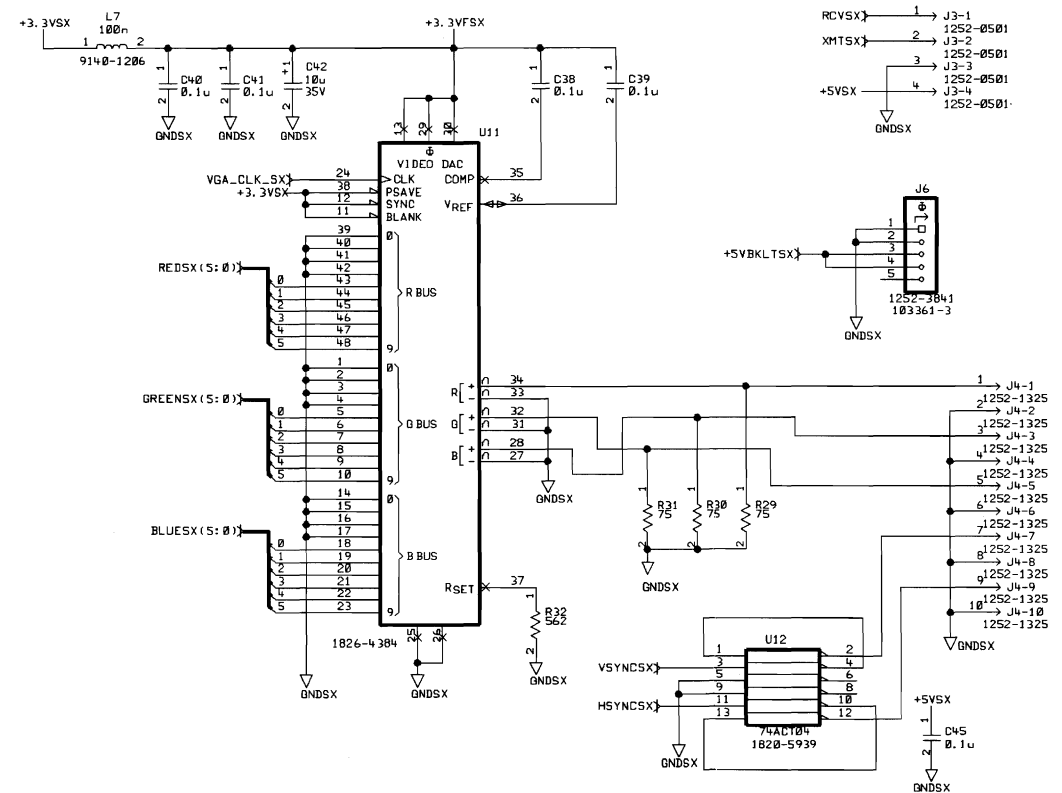
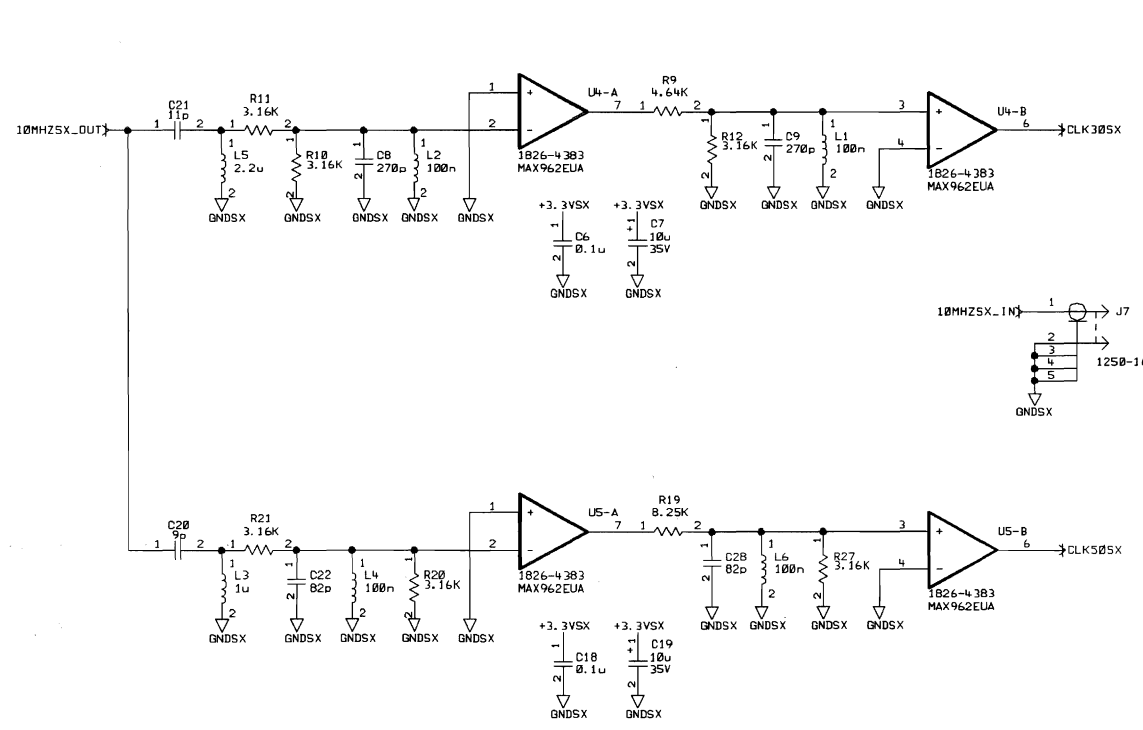
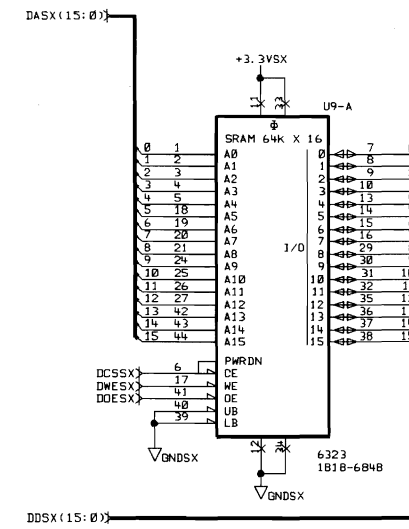
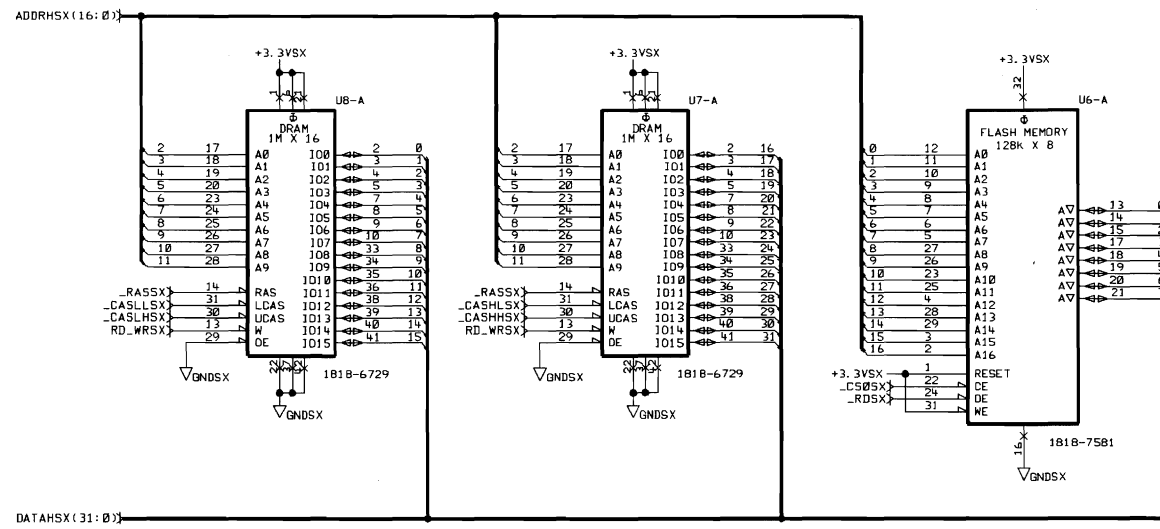
LAST CHECKED	DATE	SCHEMATIC, PWA LCD DRIVER BOARD		
ENGINEER	SHEET 1 OF 3	TITLE		
DRAWN BY	SIZE C	PATHNAME		08563-60161
DA 3935	A 3935	1 3		PART NUMBER
ASSY. REV	BRD. REV	PAGE	OF	DWG. NO. C-08563-60161-1



Scans by ArtekMedia => 2009

AGILENT TECHNOLOGIES RESTRICTED
THIS DOCUMENT CONTAINS CONFIDENTIAL, PROPRIETARY INFORMATION THAT IS AGILENT TECHNOLOGIES PROPERTY. DO NOT REPRODUCE OR DUPLICATE FOR OTHERS EXCEPT AS AUTHORIZED BY AGILENT TECHNOLOGIES.

LAST CHECKED	DATE	SCHEMATIC, PWA		PART NUMBER
ENGINEER	SHEET 2 OF 3	LCD DRIVER BOARD		
DRAWN BY	SIZE C	TITLE	08563-60161	
DA 3935	A 3935	SHR_08563/60161/DA3935 sheet2	08563-60161	
ASSY. REV	BRD. REV	PAGE 2 OF 3	C-08563-60161-1	
			DWG. NO.	



AGILENT TECHNOLOGIES
RESTRICTED
THIS DOCUMENT CONTAINS CONFIDENTIAL,
PROPRIETARY INFORMATION THAT IS AGILENT
TECHNOLOGIES PROPERTY. DO NOT DISCLOSE
TO OR DUPLICATE FOR OTHERS EXCEPT AS
AUTHORIZED BY AGILENT TECHNOLOGIES.

LAST CHECKED	DATE	SCHEMATIC, PWA LCD DRIVER BOARD		
ENGINEER	SHEET 3 OF 3	TITLE		
DRAWN BY	SIZE C	DA 3935	A 3935	08563-60161
ASSY. REV	REV. REV	PAGE 3	OF 3	PART NUMBER
				C-08563-60161-1

Component-Level Information Packet for 08562-60042

HP-IB



**HP Part No. 08562-90115
Printed in USA December 1995**

Notice. The information contained in this document is subject to change without notice.

Hewlett-Packard makes no warranty of any kind with regard to this material, including, but not limited to, the implied warranties of merchantability and fitness for a particular purpose. Hewlett-Packard shall not be liable for errors contained herein or for incidental or consequential damages in connection with the furnishing, performance, or use of this material.

HP Part Number 08562-60042
HP-IB

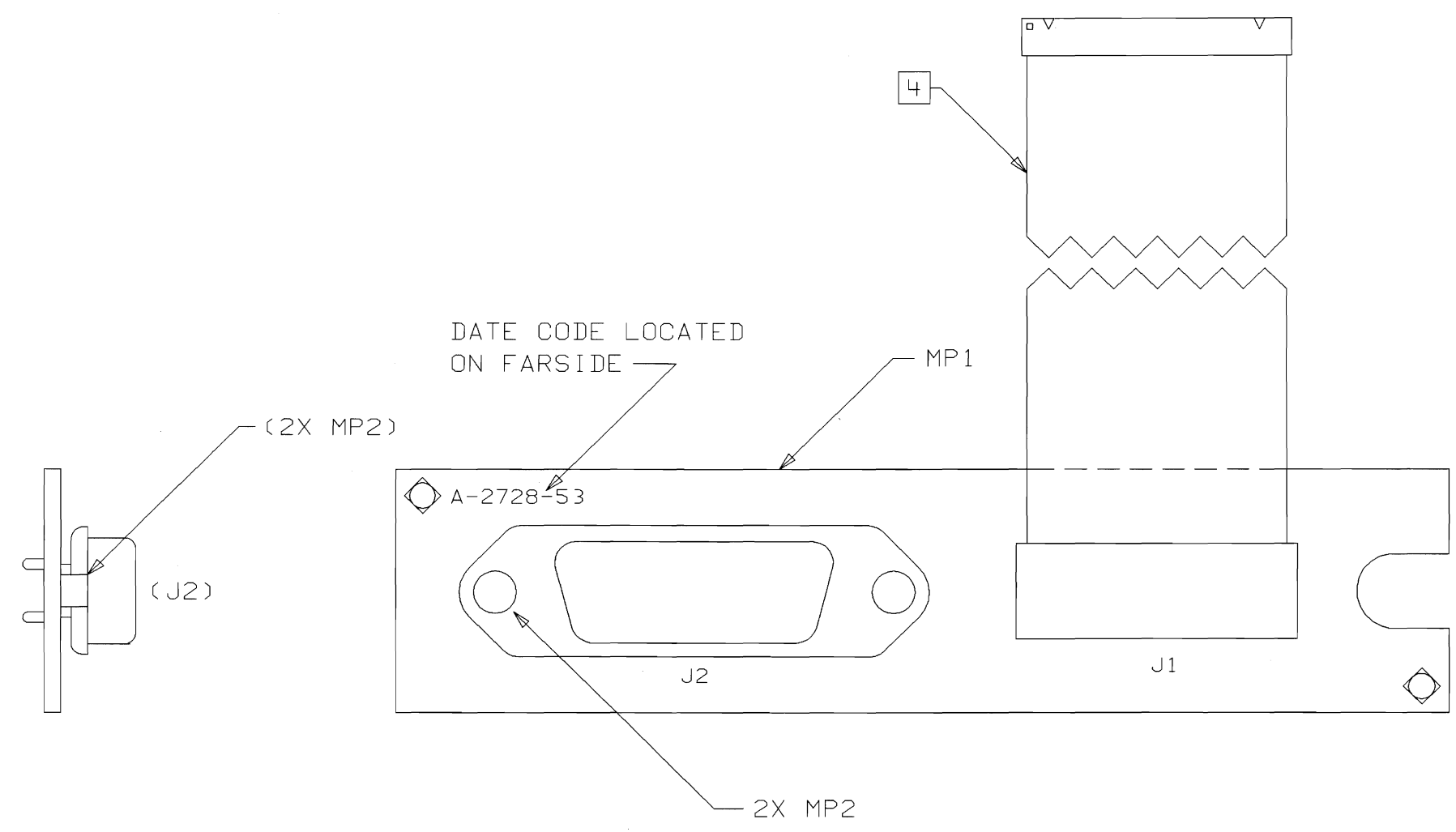
Reference Designator	HP Part Number	Qty	Description	Mfr Code	Mfr Part Number
J1	5061-9031	1	CBL ASSY HP-IB	28480	5061-9031
J2	1251-8061	1	CONN-RECT MICRORBN 24-CKT 24-CONT	28480	1251-8061

**Indicates factory-selected value*

CLIP 08562-90115 1

Scans by ArtekMedia => 2009

5300		C-08562-60042-2	
SYM	REVISIONS	APPROVED	DATE
A			



NOTES: UNLESS OTHERWISE SPECIFIED

1. DIMENSIONS ARE IN INCHES
 2. MAXIMUM COMPONENT HEIGHT .551
 3. MAXIMUM LEAD TRIM LENGTH .118
- 4 BLUE LINE ON CABLE INDICATES PIN 1 ON CONNECTORS.

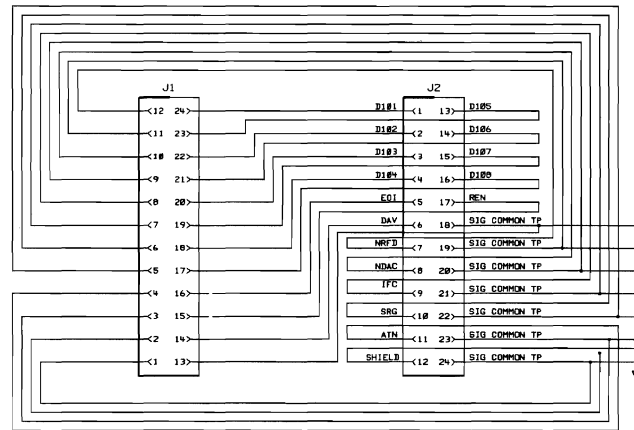
SEE 08562-60042 MATERIAL LIST

HP PROPRIETARY
 THIS DOCUMENT CONTAINS CONFIDENTIAL,
 PROPRIETARY INFORMATION THAT IS
 HEWLETT-PACKARD (HP) PROPERTY.
 DO NOT DISCLOSE TO OR DUPLICATE FOR
 OTHERS EXCEPT AS AUTHORIZED BY HP.

UNLESS OTHERWISE SPECIFIED, DIMENSIONS ARE IN INCHES.	DRAWN BY	DATE	BOARD ASSEMBLY- HP-IB TITLE	a1aaw042 FILENAME	HEWLETT PACKARD	
TOLERANCES: XX.XXX ±.010 XX.XX ±.02	ENGINEER/CHECKER	DATE		SCALE 2X		
THIRD ANGLE PROJECTION	RELEASE TO PROD.	DATE		SHEET 1 OF 1		08562-60042 PART NUMBER
DO NOT SCALE THIS DRAWING	SUPERSEDES DWG.			C-08562-60042-2		

5300		D-08562-60042-1	
SYM	REVISIONS	APPROVED	DATE
A			

A1 HP-IB BOARD ASSEMBLY
08562-60042



NOTES:
1. REFERENCE DESIGNATORS WITHIN THIS ASSEMBLY ARE ABBREVIATED. PREFIX ABBREVIATION WITH ASSEMBLY NUMBER FOR COMPLETE REFERENCE DESIGNATOR.
2. UNLESS OTHERWISE INDICATED: RESISTANCE IN OHMS (Ω) CAPACITANCE IN FARADS (F) INDUCTANCE IN HENRIES (H)

3. PNEUMONIC TABLE

PNEUMONIC	DESCRIPTION

HP PROPRIETARY
THIS DOCUMENT CONTAINS CONFIDENTIAL, PROPRIETARY INFORMATION THAT IS HEWLETT-PACKARD (HP) PROPERTY. DO NOT DISCLOSE TO OR DUPLICATE FOR OTHERS EXCEPT AS AUTHORIZED BY HP.

DRAWN BY	DATE
ENGINEER/CHECKER	DATE
RELEASE TO PROD.	DATE
SUPERSEDES DWG.	

SCHMATIC, PWA
HP-IB
(SCHEMATIC)
TITLE

slaw042	HP	HEWLETT PACKARD
FILENAME		
SCALE	NDNE	
SHEET 1 of 1	08562-60042	PART NUMBER
	D-08562-60042-1	