

Errata

Title & Document Type: 8591A Portable Spectrum Analyzer Service Manual

Manual Part Number: 08591-90018

Revision Date: April 1990

HP References in this Manual

This manual may contain references to HP or Hewlett-Packard. Please note that Hewlett-Packard's former test and measurement, semiconductor products and chemical analysis businesses are now part of Agilent Technologies. We have made no changes to this manual copy. The HP XXXX referred to in this document is now the Agilent XXXX. For example, model number HP8648A is now model number Agilent 8648A.

About this Manual

We've added this manual to the Agilent website in an effort to help you support your product. This manual provides the best information we could find. It may be incomplete or contain dated information, and the scan quality may not be ideal. If we find a better copy in the future, we will add it to the Agilent website.

Support for Your Product

Agilent no longer sells or supports this product. You will find any other available product information on the Agilent Test & Measurement website:

www.tm.agilent.com

Search for the model number of this product, and the resulting product page will guide you to any available information. Our service centers may be able to perform calibration if no repair parts are needed, but no other support from Agilent is available.

Service Manual

HP 8591A Portable Spectrum Analyzer

SERIAL NUMBERS

This manual applies to HP *8591A* with serial numbers prefixed 3009A and below.
This manual applies to HP 8591A Spectrum Analyzers with firmware versions 3.1.90.



HP Part No. 08591-90018 Microfiche Part No. 08591-90019
Printed in USA April 1990

HP 8591A Spectrum Analyzer Documentation Description

Manuals Shipped with Your HP 8591A

HP 8591A/8593A Spectrum Analyzer Installation, Verification, and Operation Manual

- Describes how to install the HP 8591A or HP 8593A Spectrum Analyzer.
- Tells how to make measurements with your HP 8591A or HP 8593A Spectrum Analyzer.
- Describes analyzer features.
- Details what to do in case of a failure.

HP 8591A/8593A Spectrum Analyzer Quick Reference Guide

- Describes how to make a simple measurement with the HP 8591A or HP 8593A.
- Briefly describes the analyzer functions.
- Lists all the programming commands.

Options

Option 910: Installation, Verification, and Operation Manual and Quick Reference Guide

- Provides an additional copy of the *HP 8591A/8593A Spectrum Analyzer Installation, Verification, and Operation Manual* and the *HP 8591A/8593A Spectrum Analyzer Quick Reference Guide*.

Option 915: Service Manual and Component-Level Information

- Describes troubleshooting and repair of the HP 8591A.
- Option 915 consists of two manuals:
 - *HP 8591A Portable Spectrum Analyzer Service Manual* describes assembly-level repair of the analyzer.
 - *HP 8590B/91A/92B/93A Portable Spectrum Analyzers, Component-Level Information* provides information for the component-level repair of the analyzer.

Options 021 and 023: Programming Manual

- The *HP 8590 Series Spectrum Analyzer Programming Manual* describes analyzer operation via a remote controller (computer) for Options 021 and 023.
- This manual is provided when ordering either Option 021 and 023.

How to Order Manuals

Each of the manuals listed above can be ordered individually. To order, contact your local HP Sales and Service Office.

Contents

| | |
|---|------|
| 1. General Information | |
| Introduction | 1-1 |
| Manual Organization | 1-2 |
| Spectrum Analyzer Description | 1-3 |
| Instruments Covered by This Manual | 1-4 |
| Serial-Number Label | 1-4 |
| Serial Number Description | 1-4 |
| Option Number | 1-5 |
| Manual Updating Supplement | 1-5 |
| Firmware Revision Date | 1-6 |
| Firmware Upgrade Kit Ordering Information | 1-6 |
| Safety Considerations | 1-7 |
| Reliability Considerations | 1-8 |
| Analyzer Input Protection | 1-8 |
| Protection from Electrostatic Discharge | 1-8 |
| Handling of Electronic Components and ESD | 1-9 |
| Test Equipment Usage and ESD | 1-9 |
| For Additional Information about ESD | 1-10 |
| Returning Instruments for Service | 1-11 |
| Packaging | 1-11 |
| Instrument Shipping Preparation Procedure | 1-11 |
| Sales and Service Offices | 1-14 |
| Recommended Test Equipment | 1-14 |
| Recommended Service Tools | 1-14 |
| 2. Adjustment Procedures | |
| Before You Start | 2-1 |
| Contents | 2-2 |
| Recommended Test Equipment | 2-3 |
| Abnormal Indications During Adjustment | 2-3 |
| Periodically Verifying Calibration | 2-3 |
| Standard-Value Replacement Components | 2-3 |
| 1. Power Supply | 2-9 |
| 2. Display | 2-11 |
| 3. Sampler Match | 2-16 |
| 4. 10 MHz Reference (Standard) | 2-18 |
| 5. 10 MHz Reference (Option 004) | 2-20 |
| 6. Crystal and LC Bandwidth Filter | 2-23 |
| 7. Cal Attenuator Error Correction | 2-32 |
| 8. Log and Linear Amplifier | 2-36 |
| 9. CAL FREQ Adjustment Routine | 2-40 |
| 10. CAL AMPTD Adjustment Routine | 2-42 |

| | |
|---|------|
| 11. Second Converter Alignment | 2-44 |
| 12. Third Converter and Second IF Bandpass | 2-49 |
| 13. Frequency Response | 2-55 |
| 14. Time and Date | 2-64 |
| 15. Modulator Offset and Gain Adjustment (Option 010 and 011) | 2-65 |
| 16. Entering External ALC Correction Constants | 2-68 |
| 17. External ALC Verification (Option 010 and 011) | 2-69 |
| 18. External ALC Error Correction (Option 010 and 011) | 2-72 |
| | |
| 3. Replacement Procedures | |
| Introduction | 3-1 |
| Before You Start | 3-1 |
| Instrument Cover | 3-2 |
| A1 Front-Frame Assembly | 3-3 |
| A1A1 Keyboard/Front-Panel Keys | 3-6 |
| A2 Display | 3-8 |
| Front-End Assembly | 3-12 |
| A8 Power Supply | 3-15 |
| A15 Motherboard and IF Extrusion | 3-17 |
| A16 Processor/Video Board Assembly | 3-27 |
| A16 Processor/Video Board Firmware ROMs | 3-32 |
| A17 Memory Card Reader Assembly | 3-35 |
| B1 Fan | 3-37 |
| BT101 Battery | 3-39 |
| A24 Tracking Generator (Option 010 and 011) | 3-41 |
| | |
| 4. Replaceable Parts | |
| Introduction | 4-1 |
| Assembly-Level Replaceable Parts Table Format | 4-1 |
| Parts Identification Format | 4-2 |
| Ordering Information | 4-2 |
| Direct Mail-Order System | 4-2 |
| Direct Phone-Order System | 4-3 |
| Regular Orders | 4-3 |
| Hotline Orders | 4-3 |
| | |
| 5. Major Assembly and Cable Locations | |
| Introduction | 5-1 |
| Contents | 5-1 |
| | |
| 6. General Troubleshooting | |
| Introduction | 6-1 |
| Before You Start Troubleshooting | 6-1 |
| Chapter Organization | 6-2 |
| Chapter 6, "General Troubleshooting." | 6-2 |
| Chapter 7, "RF/LO Section Troubleshooting." | 6-3 |
| Chapter 8, "IF Section Troubleshooting." | 6-3 |
| Chapter 9, "Control/Display Section Troubleshooting." | 6-3 |
| Chapter 10, "Softkey Descriptions." | 6-3 |
| Chapter 11, "Analyzer Messages." | 6-4 |
| Service Equipment | 6-4 |

| | |
|---|------|
| Replacement Assemblies | 6-4 |
| After an Instrument Repair | 6-4 |
| RF and LO Section Overview | 6-10 |
| RF Section Description | 6-10 |
| J1 Input Connector | 6-10 |
| A3 Input Attenuator | 6-10 |
| A4 First Converter | 6-10 |
| FL1 Low-Pass Filter and AT1 Isolator | 6-10 |
| A5 Second Converter | 6-10 |
| A9 Third Converter | 6-11 |
| LO Section Description | 6-11 |
| 10 MHz Frequency Reference | 6-11 |
| A25 Counter Lock | 6-12 |
| A25A1 Sampler | 6-12 |
| A6 YIG Tuned Oscillator | 6-12 |
| A7 Analog Interface | 6-13 |
| Instrument Settings for RF Power-Level Measurements | 6-14 |
| IF, Video, and Instrument Control Overview | 6-17 |
| IF Section Assembly Descriptions | 6-17 |
| A11 Bandwidth Filter | 6-17 |
| A12 Amplitude Control | 6-17 |
| A13 Bandwidth Filter | 6-18 |
| A14 Log Amplifier | 6-18 |
| A16 Processor/Video | 6-18 |
| A7 Analog Interface | 6-19 |
| A8 Power Supply | 6-20 |
| IF Power-Level Measurement | 6-21 |
| Instrument Settings for IF Power-Level Measurement | 6-21 |
| Typical Gains for the IF Assemblies | 6-21 |
| Measurement of the IF Signal from the A9 Third Converter | 6-22 |
| Signal Injection at the Output of the A11 Bandwidth Filter Assembly | 6-22 |
| Signal Injection at the Output of the A13 Bandwidth Filter Assembly | 6-23 |
| Tracking Generator Information | 6-27 |
| Problems at Instrument Power-Up | 6-31 |
| Symptoms at Power-Up | 6-31 |
| Troubleshooting an Inoperative Analyzer | 6-33 |
| Check Instrument Setup | 6-33 |
| Instrument Failure Symptoms | 6-33 |
| The Line Fuse Has Blown | 6-34 |
| The Fan Is Not Operating | 6-34 |
| A8 Power Supply LEDs Are Off | 6-35 |
| If All the A8 LEDs are Off | 6-35 |
| If Individual A8 LEDs are Off | 6-36 |
| A16 Processor/Video Assembly Failure Symptoms | 6-37 |
| Blank A2 Display | 6-37 |
| A2 Display Troubleshooting | 6-38 |
| If the Display has an Intensity Problem | 6-38 |
| Check the A16 Display-Drive Circuitry | 6-38 |
| Check High-Power-Up Signal from the A8 Power Supply | 6-39 |
| Check for a Defective A2 Display | 6-41 |
| Symptoms of a Dead Battery | 6-42 |

| | |
|---|------|
| If a Random Display Periodically Flashes on Screen | 6-42 |
| If the Error Message FAIL: 0330 0000000000 Appears | 6-42 |
| Verify that the Correction Data is Missing | 6-43 |
| After Replacing the Battery | 6-43 |
| Instrument Recalibration after a Battery-Backed RAM Memory Loss | 6-44 |
| Locating an RF/LO/IF or Video Problem | 6-45 |
| Techniques for Isolating an RF/LO/IF or Video Failure | 6-45 |
| RF/LO/IF and Video Failure Symptoms | 6-46 |
| | |
| 7. RF/LO Section Troubleshooting | |
| Introduction | 7-1 |
| Before You Start Troubleshooting | 7-1 |
| RF Section Information | 7-2 |
| Control of the A3 Input Attenuator | 7-4 |
| LO Section Information | 7-5 |
| A9 Third Converter Assembly | 7-9 |
| A25 Counter Lock Assembly | 7-13 |
| | |
| 8. IF Section Troubleshooting | |
| Introduction | 8-1 |
| Before You Start Troubleshooting | 8-1 |
| IF Section Information | 8-2 |
| Bandwidth Control Lines for the A11/A13 Bandwidth Filter Assemblies | 8-2 |
| IF Section Gain Control | 8-3 |
| Control Lines for the A12 Amplitude Control Assembly | 8-5 |
| Linear Gain Control Lines for A14 Log Amplifier | 8-6 |
| A15 Motherboard Assembly | 8-7 |
| | |
| 9. Control/Display Section Troubleshooting | |
| Introduction | 9-1 |
| Before You Start Troubleshooting | 9-1 |
| Backing Up Analyzer Correction Constants | 9-2 |
| Retrieving the Timebase and Flatness-Correction Constants | 9-2 |
| Retrieving the A12 Step-Gain and CALTGX Correction Constants | 9-3 |
| A16 Memory Reset | 9-7 |
| Performing an A16 Memory Reset | 9-7 |
| Instrument Response after Memory Reset | 9-8 |
| Analyzer Recovery after a A16 Memory Loss | 9-10 |
| Resetting the Analyzer Power-On Units | 9-10 |
| Reloading the Timebase and Flatness Correction Constants | 9-11 |
| Reloading the A12 Step Gain and CALTGX Correction Constants | 9-13 |
| Instrument Recalibration after Reloading the Correction Constants | 9-13 |
| A7 Analog Interface Assembly | 9-15 |

10. Softkey Descriptions

| | |
|---|-------|
| Introduction | 10-1 |
| Calibration, Service, and Diagnostic Softkey Functions | 10-1 |
| CAL Softkey Organization | 10-1 |
| Passcodes | 10-3 |
| Entering A Passcode | 10-3 |
| Understanding Instrument Correction Data | 10-4 |
| Self-Calibration Correction Factors | 10-4 |
| Service-Calibration Correction Constants | 10-4 |
| +10 V REF DETECTOR +10 V Reference Detector | 10-6 |
| -10 V REF DETECTOR -10 V Reference Detector | 10-6 |
| 2v REF DETECTOR 2 V Reference Detector | 10-6 |
| ALC TEST Automatic Level Control TEST | 10-7 |
| AUXA Auxiliary A | 10-7 |
| AUXB Auxiliary B | 10-7 |
| BINARY SPAN Binary Span | 10-7 |
| CAL Calibration Key | 10-8 |
| CAL AMPTD Calibrate Amplitude | 10-8 |
| CAL FETCH Calibration Fetch | 10-10 |
| CAL FREQ Calibrate Frequency | 10-11 |
| CAL FREQ & AMPTD Calibrate Frequency and Amplitude | 10-13 |
| CAL STORE Calibration Store | 10-13 |
| CAL TIMEBASE Calibrate Timebase | 10-14 |
| CAL TRK GEN Calibrate Tracking Generator | 10-14 |
| COARSE TUNE DAC Coarse Tune DAC | 10-16 |
| CONF TEST Confidence Test | 10-16 |
| CORRECT ON OFF Correction On/Off | 10-18 |
| CRT HORZ POSITION CRT Horizontal Position | 10-19 |
| CRT VERT POSITION CRT Vertical Position | 10-20 |
| DACS DACs | 10-20 |
| DEFAULT CAL DATA Default Calibration Data | 10-21 |
| DISPLAY CAL DATA Display Calibration Data | 10-24 |
| DROOP Droop | 10-26 |
| EDIT FLATNESS Edit Flatness | 10-27 |
| EXECUTE TITLE Execute Title | 10-28 |
| EXIT Exit | 10-28 |
| FINE TUNE DAC Fine Tune DAC | 10-28 |
| FLATNESS DATA Flatness Data | 10-29 |
| FM COIL DRIVE FM Coil Drive | 10-29 |
| FM GAIN FM Gain | 10-30 |
| FM OFFSET FM Offset | 10-31 |
| FM SPAN FM Span | 10-32 |

| | |
|---|-------|
| FREQ DIAG Frequency Diagnostics | 10-33 |
| FRQ DISC NORM OFF Frequency Discriminator Normal/Off | 10-34 |
| GND REF DETECTOR Ground-Reference Detector | 10-34 |
| INIT FLT Initialize Flatness | 10-34 |
| MAIN COIL DR Main-Coil Drive | 10-35 |
| MAIN SPAN Main Span | 10-36 |
| SERVICE CAL Service Calibration | 10-36 |
| SERVICE DIAG Service Diagnostics | 10-36 |
| SET ATTN ERROR Set Attenuator Error | 10-37 |
| SETPLL OUTDAC Set PLL Out DAC | 10-38 |
| STOR PWR ON UNITS Store Power-On Units | 10-38 |
| STORE FLATNESS Store Flatness | 10-39 |
| STP GAIN ZERO Step-Gain Zero | 10-40 |
| SWEEP RAMP Sweep Ramp | 10-40 |
| SWEEP TIME DAC Sweep-Time DAC | 10-40 |
| VERIFY TIMEBASE Verify Timebase | 10-41 |
| X FINE TUNE DAC Extra-Fine Tune DAC | 10-41 |

11. Analyzer Messages

| | |
|---|-------|
| Introduction | 11-1 |
| Interpreting Analyzer Messages | 11-1 |
| Chapter Organization | 11-1 |
| ADC-GND FAIL (H) | 11-2 |
| ADC-TIME FAIL (H) | 11-4 |
| ADC-2V FAIL (H) | 11-4 |
| CAL: _ _ _ (M) | 11-6 |
| CAL: DATA NOT STORED CAL AMP NEEDED (U)(H) | 11-6 |
| CAL: cannot execute CALAMP enter: 0 dB PREAMP GAIN (U)(H) | 11-7 |
| CAL: FM SPAN SENS FAIL (H) | 11-7 |
| CAL: GAIN FAIL (H) | 11-8 |
| CAL: PASSCODE NEEDED (M) | 11-9 |
| CAL: RES BW AMPL FAIL (H) | 11-9 |
| CAL SIGNAL NOT FOUND (U)(H) | 11-9 |
| CAL: SPAN SENS FAIL (H) | 11-10 |
| CAL: USING DEFAULT DATA (M) | 11-11 |
| CONF TEST FAIL (H) | 11-11 |
| FAIL: XXXX XXXXXXXXXXXX (H) | 11-11 |
| The Four-Digit Failure Code | 11-11 |
| The 10-Digit Failure Code | 11-12 |
| FREQ UNCAL (U) (H) | 11-15 |
| INVALID FLATNESS DATA (U) | 11-15 |
| OVEN COLD (M) | 11-16 |
| POS-PK FAIL (H) | 11-16 |
| RES-BW SHAPE FAIL (H) | 11-17 |
| RES-BW NOISE FAIL (H) | 11-18 |
| REF UNLOCK (M)(H) | 11-18 |

| | |
|------------------------------------|-------|
| SAMPLE FAIL (H) | 11-19 |
| STEP GAIN/ATTEN FAIL (H) | 11-20 |
| SRQ --- (M) | 11-20 |
| TG SIGNAL NOT FOUND (U) | 11-20 |
| VID-BW FAIL (H) | 11-21 |

A. Component-Level Information Packets

Figures

| | |
|---|------|
| 1-1. HP 8591A Spectrum Analyzer | 1-1 |
| 1-2. Typical Serial-Number Label | 1-4 |
| 1-3. Example of a Static-Safe Work Station | 1-9 |
| 1-4. Instrument Packaging Material | 1-13 |
| 1-5. Service Accessories | 1-21 |
| 2-1. A16 Power Supply Test Point Location | 2-9 |
| 2-2. Power Supply Adjustment Location | 2-10 |
| 2-3. Fine Focus Adjustment Location | 2-12 |
| 2-4. Coarse Focus Adjustment Location | 2-14 |
| 2-5. Coarse Focus Adjustment Location (Rear View of Display Assembly) | 2-15 |
| 2-6. A25 Counter Lock Assembly Test Points | 2-17 |
| 2-7. 10 MHz Reference Adjustment Setup | 2-18 |
| 2-8. Precision Frequency Reference Setup | 2-21 |
| 2-9. Oven Reference Adjustment Location | 2-22 |
| 2-10. Crystal Symmetry and Centering | 2-25 |
| 2-11. LC Dip Location | 2-27 |
| 2-12. Displayed Calibration Data | 2-30 |
| 2-13. Cal Attenuator Error Correction Setup | 2-33 |
| 2-14. Log and Linear Amplifier Adjustment Setup | 2-37 |
| 2-15. Log and Linear Amplifier Adjustment Location | 2-38 |
| 2-16. CAL FREQ Adjustment Routine Setup | 2-40 |
| 2-17. CAL AMPTD Adjustment Routine Setup | 2-43 |
| 2-18. Tripler Adjustment Setup | 2-45 |
| 2-19. Second Converter Adjustment Location | 2-45 |
| 2-20. Second Converter Bandpass Adjustment Setup | 2-46 |
| 2-21. Second Mixer Match Adjustment Setup | 2-47 |
| 2-22. Second Converter Bandpass Ripple Measurement | 2-48 |
| 2-23. Second IF Bandpass Filter Adjustment Setup | 2-50 |
| 2-24. LPF Characterization | 2-52 |
| 2-25. 300 MHz Calibrator Amplitude Accuracy Test Setup | 2-53 |
| 2-26. System Characterization Test Setup (<i>Option 001</i>) | 2-56 |
| 2-27. Frequency Response Setup | 2-57 |
| 2-28. Frequency Response for 4 MHz Setup | 2-58 |
| 2-29. External ALC Verification Adjustment | 2-70 |
| 2-30. External ALC Error Correction Adjustment | 2-73 |
| 3-1. A1 Front-Frame Replacement | 3-4 |
| 3-2. A1A1 Front-Panel Key Positions | 3-7 |
| 3-3. A2 Display Replacement | 3-9 |
| 3-4. A2 Display, Rear View | 3-10 |
| 3-5. Front-End Assembly Replacement | 3-14 |
| 3-6. A8 Power Supply Replacement | 3-16 |
| 3-7. A15 Motherboard Replacement | 3-18 |

| | |
|---|------|
| 3-8. A15 Motherboard with IF Section | 3-20 |
| 3-9. IF Extrusion Assembly Replacement | 3-22 |
| 3-10. IF Extrusion Section Replacement | 3-24 |
| 3-11. A16 Processor/Video Board Replacement | 3-29 |
| 3-12. A16 Processor/Video Board Firmware ROM Replacement | 3-33 |
| 3-13. A17 Memory Card Reader Replacement | 3-36 |
| 3-14. B1 Fan Replacement | 3-37 |
| 3-15. BT101 Battery Replacement | 3-39 |
| 3-16. Instrument Cover Screws | 3-41 |
| 3-17. Screws Securing A25 Counter-Lock assembly | 3-42 |
| 3-18. Removing the Memory Card Reader | 3-43 |
| 3-19. Speaker Guard | 3-44 |
| 3-20. Removing the A7 Assembly | 3-45 |
| 3-21. RF section Cables and Screw | 3-46 |
| 3-22. Front Panel CAL OUT Connector | 3-47 |
| 3-23. Removing the Front Frame Screws | 3-48 |
| 3-24. Removing the Semi-Rigid Cable W10 | 3-49 |
| 3-25. Attaching RF OUT Cable W31 | 3-50 |
| 3-26. Joining the Tracking Generator and RF Assemblies | 3-51 |
| 3-27. Front-End Assembly (Front View) | 3-52 |
| 3-28. Front-End Assembly (Rear View) | 3-52 |
| 3-29. Screws Securing Sides of Assemblies | 3-53 |
| 3-30. Screws Securing Bottoms of Assemblies | 3-53 |
| 3-31. Connecting the Counter Lock Cable | 3-54 |
| 3-32. Placing the Front-End Assembly in the Analyzer | 3-55 |
| 3-33. Securing the Front-End Assembly in the Analyzer | 3-56 |
| 3-34. Position of W31 (Inside Front Cover) | 3-57 |
| 3-35. A17 Memory Card Reader | 3-58 |
| 3-36. Connecting Cables to A9 Third Converter | 3-59 |
| 3-37. Connecting Cables to A7A1 Assembly | 3-60 |
| 3-38. Installing the A7 Assembly | 3-61 |
| 4-1. Spectrum Analyzer Parts Identification, Handle Assembly | 4-12 |
| 4-2. Spectrum Analyzer Parts Identification, Cover Assembly | 4-13 |
| 4-3. Spectrum Analyzer Parts Identification, Front Frame Assy | 4-14 |
| 4-4. Spectrum Analyzer Parts Identification, Front Frame Assy | 4-16 |
| 4-5. Spectrum Analyzer Parts Identification, Rear Frame Assembly | 4-18 |
| 4-6. Spectrum Analyzer Parts Identification, IF Assembly | 4-19 |
| 4-7. Spectrum Analyzer Parts Identification, Miscellaneous Chassis | 4-21 |
| 4-8. Spectrum Analyzer Parts Identification, Miscellaneous Chassis | 4-22 |
| 4-9. Spectrum Analyzer Parts Identification, Miscellaneous Chassis | 4-23 |
| 4-10. Spectrum Analyzer Parts Identification, Front End | 4-24 |
| 4-11. Spectrum Analyzer Parts Identification, Miscellaneous Front End | 4-25 |
| 4-12. Spectrum Analyzer Parts Identification, Impact Cover | 4-26 |
| 4-13. A24 Tracking Generator Parts Identification | 4-27 |
| 5-1. HP 8591A A1 Front-Frame Assembly, Front and Rear Views | 5-3 |
| 5-2. HP 8591A Top View | 5-4 |
| 5-3. HP 8591A Top View, Option 010 and 011 | 5-5 |
| 5-4. HP 8591A Left-Side View of A7A1 | 5-6 |
| 5-5. HP 8591A Card-Cage Options, Top View | 5-7 |
| 5-6. HP 8591A Bottom View | 5-8 |
| 5-7. HP 8591A Options, Bottom View | 5-9 |

| | |
|--|-------|
| 5-8. HP 8591A Front-End Assembly, Top View | 5-10 |
| 5-9. HP 8591A Front-End Assembly, Left-Side View | 5-11 |
| 5-10. HP 8591A YTO Assembly | 5-12 |
| 5-11. HP 8591A A24 Tracking Generator, Option 010 and 011 | 5-13 |
| 6-1. Graphics Symbols Used on Schematic and Block Diagrams | 6-8 |
| 6-2. A15J13 Connector-pin Designation | 6-36 |
| 6-3. A16J8 Display Signal Output Pins | 6-39 |
| 6-4. A16J1 Connector-Pin Orientation | 6-40 |
| 6-5. Card-Cage Connector-Pin Orientation | 6-41 |
| 7-1. A7J2 Connector Pin Designation (Top-Side View) | 7-3 |
| 8-1. A15 Motherboard Connector Designation | 8-8 |
| 8-2. A15 Connectors with Additional Associated Circuitry | 8-9 |
| 8-3. A15J13 Connector-Pin Designation | 8-11 |
| 8-4. Card-Cage Connector Pin Designation | 8-12 |
| 9-1. Location of U104 on the A16 Assembly | 9-8 |
| 10-1. Calibration, Service, and Diagnostic Softkey Tree | 10-2 |
| 10-2. Default Calibration Data | 10-22 |
| 10-3. Calibration Data Map | 10-24 |
| 10-4. LO Frequency Diagnostic Data Display | 10-33 |
| 11-1. A16J1 Connector-Pin Orientation | 11-3 |
| 11-2. A16J1 Connector-Pin Orientation | 11-5 |

Tables

| | |
|--|-------|
| 1-1. HP 8591A Maximum Safe Input Level | 1-8 |
| 1-2. Static-Safe Accessories | 1-10 |
| 1-3. Hewlett-Packard Sales and Service Offices | 1-15 |
| 1-4. Recommended Test Equipment | 1-16 |
| 1-5. Special Service Tools | 1-20 |
| 1-6. Common Hand Tools | 1-22 |
| 2-1. HP 8591A Spectrum Analyzer Adjustments | 2-2 |
| 2-2. Standard Value Replacement Capacitors | 2-4 |
| 2-3. Standard Value Replacement Resistors, 0.125 W | 2-5 |
| 2-4. Standard Value Replacement Resistors, 0.5 W | 2-7 |
| 2-5. Power Supply Tolerances | 2-10 |
| 2-6. Bandwidth Amplitude-Correction Map | 2-30 |
| 2-7. A12 Amplitude Control Assembly Attenuator Errors | 2-35 |
| 2-8. Log Fidelity Check | 2-39 |
| 2-9. Linear Gain Check | 2-39 |
| 2-10. Frequency Response Errors. | 2-62 |
| 4-1. Reference Designations, Abbreviations and Multipliers | 4-4 |
| 4-2. HP 8591A Assembly-Level Replaceable Parts | 4-8 |
| 4-3. Firmware History | 4-11 |
| 6-1. Assembly-to-Functional-Block Matrix | 6-5 |
| 6-2. Adjustments and Tests for Replaced or Repaired Assemblies | 6-6 |
| 6-3. Power Levels at Measurement Points | 6-14 |
| 6-4. Tracking Generator Control Signals at A7A1J7 | 6-27 |
| 6-5. Instrument Failure Symptoms at Power-On | 6-32 |
| 7-1. Input Attenuator Control Output at A7J2 | 7-4 |
| 8-1. Nominal Resolution Bandwidth Control Line Voltages | 8-2 |
| 8-2. IF Section Gain Table in dB | 8-4 |
| 8-3. 10 dB Step-Gain Control Lines | 8-5 |
| 8-4. Calibration-Attenuator Control Lines | 8-5 |
| 8-5. Linear Gain Control Lines on the A14 Assembly | 8-6 |
| 8-6. A15 Motherboard Mnemonic Descriptions | 8-13 |
| 8-7. A15 Motherboard Pin Designations | 8-17 |
| 9-1. RTXO Timebase Correction Constant (Instruments without Option 004) | 9-5 |
| 9-2. Frequency Response Correction Constants | 9-5 |
| 9-3. A12 Step-Attenuator Correction Constants | 9-6 |
| 9-4. CALTGX Correction Constants (Option 010 and 011) | 9-6 |
| 11-1. Possible Cause of the Error Message "ADC-GND FAIL" | 11-3 |
| 11-2. Possible Cause of the Error Message "ADC-2V FAIL" | 11-5 |
| 11-3. Four-Digit Failure Code Interpretation | 11-12 |
| 11-4. I/O Bus Address Failure-Code Interpretation | 11-13 |
| 11-5. I/O Data Bus Failure Code Interpretation | 11-13 |
| 11-6. A16 Video Ram Address Failure Code Interpretation | 11-14 |
| A-1. Board Assembly, Serial Number, and CLIP Part Number Cross-Reference | A-2 |



General Information

Introduction

The *HP 8591A Portable Spectrum Analyzer Service Manual* provides the information needed to adjust and repair the HP 8591A Spectrum Analyzer to the assembly level.

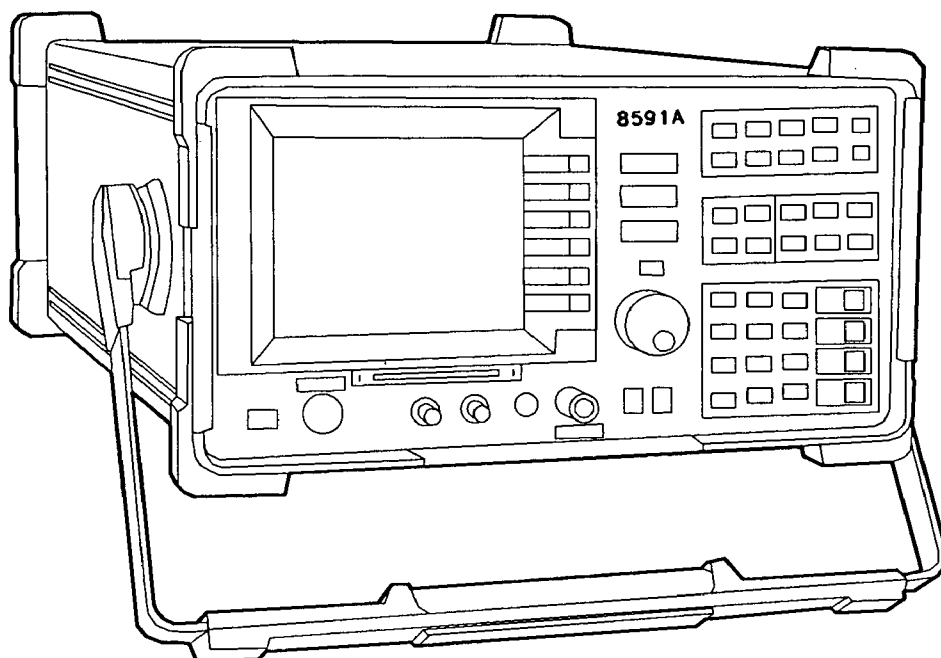


Figure 1-1. HP 8591A Spectrum Analyzer

This manual provides accurate information for all serial prefixes up to and including that listed on the title page. When changes to the design of the instrument occur, the instrument prefix will also change; therefore, some of the information provided in this manual may apply only to a specific version of the HP 8591A. The serial-number prefix that a section of this manual applies to will be noted in the title of the section. If there is no reference to a serial-number prefix in the title of a section, it applies to all instruments.

The *HP 8590B/91A/92B/93A Component-Level Information* binder provides component-level information for the repair of individual instrument assemblies. The binder contains Component-Level Information Packets (CLIPs) for selected assemblies. Each CLIP contains component-level schematics, a component parts list, and illustrations for component location by reference designator. Each CLIP has its own HP part number which is changed whenever the HP part number for its related instrument assembly is changed. A list of all CLIP part numbers for the HP 8591A is provided in the appendix of this service manual.

Manual Organization

The manual is divided into the following chapters:

- Chapter 1, “General Information,” contains information on spectrum-analyzer identification, safety considerations, manual updating, return of an instrument for service, and recommended test equipment.
- Chapter 2, “Adjustments,” contains the adjustment procedures needed to adjust the spectrum analyzer to meet its specifications.
- Chapter 3, “Replacement Procedures,” contains instructions for the removal and replacement of all major assemblies.
- Chapter 4, “Replaceable Parts,” contains information needed to order assemblies for the spectrum analyzer.
- Chapter 5, “Major Assembly and Cable Locations,” contains figures identifying all major assemblies and cables.
- Chapter 6, “General Troubleshooting,” contains a description of overall spectrum-analyzer operation and troubleshooting procedures that are useful when first troubleshooting an analyzer failure.
- Chapter 7, “RF/LO Section Troubleshooting,” contains specific troubleshooting information for selected assemblies within the RF and LO sections.
- Chapter 8, “IF Section Troubleshooting,” contains specific troubleshooting information for selected assemblies in the IF section and the A15 Motherboard assembly.
- Chapter 9, “Control/Display Section Troubleshooting,” contains troubleshooting information for the A7 Analog Interface and A16 Processor/Video assemblies. Procedures for resetting analyzer memory are also provided.
- Chapter 10, “Softkey Descriptions,” contains a description of the calibration, service, and diagnostic softkeys.
- Chapter 11, “Analyzer Messages,” contains a description of the analyzer messages that are displayed when there is a problem with the analyzer.
- Appendixes, “Appendix A,” contains a list of the HP part numbers for all the Component-Level Information packets (CLIPs) that are available for the 8591A.

Spectrum Analyzer Description

The HP 8590 series of portable spectrum analyzers provide measurement capabilities over the RF and Microwave frequency ranges.

The standard HP 8591A covers a frequency range of 9 kHz to 1.8 GHz with synthesizer-like frequency accuracy. A memory card reader allows the analyzer to use downloadable software programs. The functional “personality” of the HP 8591A can also be altered using the memory card reader. This feature provides the user with one instrument that can perform the function of other types of microwave test equipment.

The following options may be installed in the HP 8591A:

Option 001, 75 Ω Input Impedance, provides a 75 Ω RF input and a analyzer frequency range of 1 MHz to 1.8 GHz.

Option 004, Precision Frequency Reference, provides a precision 10 MHz reference output at the rear frame.

Option 010, 50 Ω Output Tracking Generator, provides a HP 8591A with a 50 Ω RF input and a built-in tracking generator.

Option 011, 75 Ω Output Tracking Generator, provides a HP 8591A with a 75 Ω RF input and a built-in tracking generator.

Option 021, HP-IB, allows the HP 8591A to be controlled by a computer via HP-IB. An input connector for an external keyboard is also provided.

Option 023, RS-232, allows the HP 8591A to be controlled by a computer via an RS-232 interface bus. An input connector for an external keyboard is also provided.

Option 101, Fast Time Domain Sweeps, provides fast analog-to-digital conversion of data for sweep times to 20 μ s in zero span.

Option 102, AM/FM Speaker and TV Synch Trigger, enables the user to listen to a demodulated signal using either amplitude or frequency demodulation. It also allows the user to trigger on a selected line of a video picture frame.

Further information about the HP 8591A, and all its available options and accessories, is provided in “Introducing the Spectrum Analyzer,” Chapter 1, of the *HP 8591A/8593A Spectrum Analyzer Installation, Verification, and Operation Manual*.

Instruments Covered by This Manual

This manual applies to instruments with serial-number prefixes up to and including the serial-number prefixes listed on the title page. The title page also lists the instrument options which are covered in this manual.

Serial-Number Label

Hewlett-Packard makes frequent improvements to its products to enhance their performance and reliability. HP service personnel have access to the records of design changes for each instrument, based on the instrument's serial number and option designation.

Whenever you contact Hewlett-Packard about your analyzer, have the complete serial number, firmware revision date, and option designation available. This will ensure that you obtain accurate service information.

A Mylar serial-number label is attached to the rear of the analyzer. This label has two instrument identification entries: the first provides the instrument's serial number and the second provides the identification number for each option built into the analyzer.

Serial Number Description

The serial number is divided into three parts. The first four digits are the serial-number prefix; the letter indicates the country of origin; the last five digits are the suffix. See Figure 1-2.

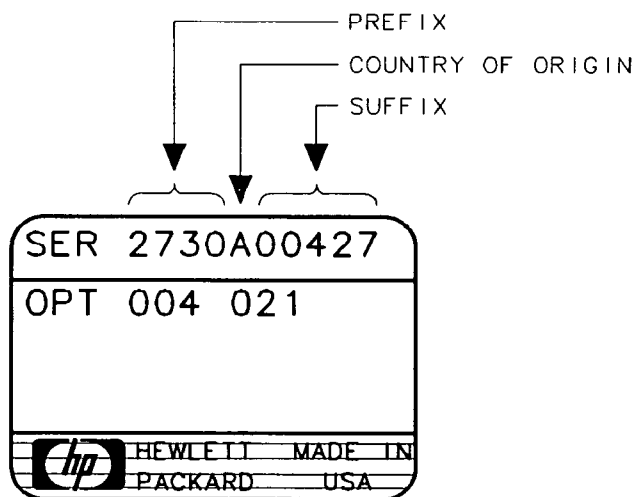


Figure 1-2. Typical Serial-Number Label

The serial-number prefix is a code that identifies the date of the last major design change that is built into the HP 8591A. The letter identifies the country where the unit was manufactured. The five-digit suffix is a sequential number and is different for each instrument.

Option Number

The Mylar serial-number label contains a three-digit option number for each option built into the analyzer. Each option number is entered sequentially below the serial number. See Figure 1-2.

Manual Updating Supplement

Manual Updating Supplement packets are periodically produced by the Signal Analysis Division to maintain manual accuracy. The updating supplement provides service information that has not yet been incorporated into a revised *HP 8591A Portable Spectrum Analyzer Service Manual*. If a Manual Updating Supplement has been produced for a specific version of the *HP 8591A Portable Spectrum Analyzer Service Manual*, it will be shipped with the manual. Any changes that affect information in this manual are documented in the Manual Updating Supplement for this manual. This may include information for instruments manufactured after this manual was printed and which have serial-number prefixes higher than that listed on the manual title page. The Manual Updating Supplement may also contain information for correcting errors in the manual.

To keep your manual as accurate as possible, periodically request the latest Manual Updating Supplement from your nearest Hewlett-Packard Sales and Service Office.

Firmware Revision Date

When the analyzer is first turned on, a display appears that contains the copyright date and firmware revision date. (If the analyzer has either Option 021, HP-IB I/O, or Option 023, RS-232 I/O, the display will also contain the entries shown on the first line of the example below.)

The version of firmware installed in the analyzer is identified by the day, month, and year in the following format:

```
(HP-IB: nn) or (RS232: nnnn)
COPYRIGHT HP 1986
rev dd.mm.yy
```

Whenever you contact Hewlett-Packard about your analyzer, be sure to provide the firmware date along with the complete serial number and option designation. This will ensure that you obtain accurate service information.

A history of firmware modification since the introduction of the HP 8591A is provided in Table 5-3, "Firmware History," located in Chapter 4. Each entry in the table contains the firmware revision date, part numbers for the four firmware ROMs, the instrument serial-number break corresponding to the firmware change, and a brief description of the major firmware changes.

Firmware Upgrade Kit Ordering Information

There are occasions when the factory revises the instrument firmware to correct defects or make performance improvements. When a firmware revision is needed a service note is distributed by the factory to all HP Service Centers. The service note identifies, by serial-number prefix, the instruments that require the latest firmware upgrade kit.

If your instrument requires a firmware upgrade kit it can be obtained by ordering a FRMWR KT 90B/91A, HP part number 5062-7719. Refer to "Ordering Information" in Chapter 4 for instructions on ordering parts.

Instructions for the replacement of the firmware ROMs is located under "A16 Processor/Video Board Firmware ROM" in Chapter 3.

Safety Considerations

Before servicing this analyzer, familiarize yourself with the safety markings on the instrument and the safety instructions in this manual. This instrument has been manufactured and tested according to international safety standards. To ensure safe operation of the instrument and the personal safety of the user and service personnel, the cautions and warnings in this manual must be heeded.

Refer to the summary of safety considerations at the front of this manual. Individual chapters also contain detailed safety notation.

Warning



Failure to ground the analyzer properly can result in personal injury, as well as instrument damage.

Before turning on the analyzer, connect a three-wire power cable with a standard IEC 320-C13 (CEE 22-V) inlet plug to the analyzer

power receptacle. The power cable outlet plug must be inserted into a power-line outlet socket that has a protective earth-contact. DO NOT defeat the earth-grounding protection by using an extension cable, power cable, or autotransformer without a protective ground conductor.

If you are using an autotransformer, make sure its common terminal is connected to the protective ground conductor of its power-source outlet socket.

Reliability Considerations

Analyzer Input Protection

The spectrum-analyzer input circuitry can be damaged by power levels that exceed the maximum safe input-level specifications. Table 1-1 provides the input specifications. To prevent input damage, these specified levels must not be exceeded.

Table 1-1. HP 8591A Maximum Safe Input Level

| | INPUT 50Ω (Input Attenuation ≥ 10 dB) | INPUT 75Ω (Input Attenuation ≥ 10 dB) |
|--------------------------|--|--|
| Average Continuous Power | +30 dBm (1 W) | +75 dBmV (0.4 W) |
| Peak Pulse Power | +30 dBm (1 W) | +75 dBmV (0.4 W) |
| DC | 25V | 100V |

The analyzer input can also be damaged by large transients. If it is likely that your HP 8591A will be exposed to potentially damaging transients, take whatever precautions are necessary to protect its input circuitry.

The analyzer input can easily be protected by disconnecting it from the signal source whenever it is likely that large transients will be present. When it is impractical to disconnect the analyzer, a transient-limiting device should be used.

The HP 11947A Transient Limiter is an instrument accessory that protects the input circuitry from transients and accidental overloads. Contact your local Hewlett-Packard Sales or Service office for more information about the HP 11947A.

Caution



Transients are often produced during electromagnetic interference (EMI) conducted emissions testing. One type of device, the line impedance stabilization network (LISN), can produce large transients when its switch position or voltage input is changed.

Protection from Electrostatic Discharge

Electrostatic discharge (ESD) can damage or destroy electronic components. All work on electronic assemblies should be performed at a static-safe work station. Figure 1-3 shows an example of a static-safe work station using two types of ESD protection:

- Conductive table-mat and wrist-strap combination.
- Conductive floor-mat and heel-strap combination.

Both types, when used together, provide a significant level of ESD protection. Of the two, only the table-mat and wrist-strap combination provides adequate ESD protection when used alone. To ensure user safety, the static-safe accessories must provide at least 1 M Ω of isolation from ground. Refer to Table 1-2 for information on ordering static-safe accessories.

Warning

These techniques for a static-safe work station should not be used when working on circuitry with a voltage potential greater than 500 volts.

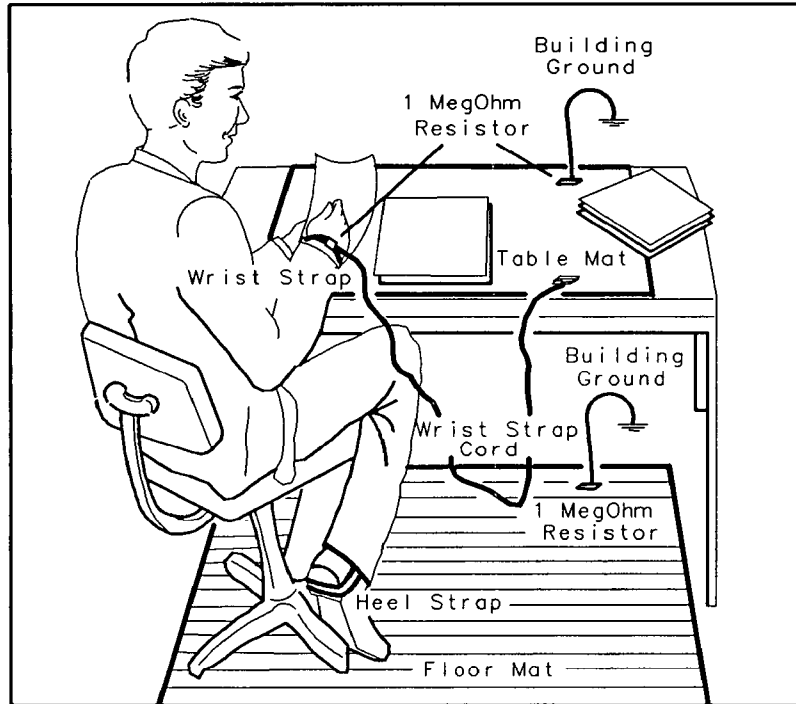


Figure 1-3. Example of a Static-Safe Work Station

Handling of Electronic Components and ESD

The possibility of unseen damage caused by ESD, is present whenever components are transported, stored, or used. The risk of ESD damage can be greatly reduced by close attention to how all components are handled.

- Perform work on all components at a static-safe work station.
- Keep static-generating materials at least one meter away from all components.
- Store or transport components in static-shielding containers.

Caution

Always handle printed circuit board assemblies by the edges. This will reduce the possibility of ESD damage to components and prevent contamination of exposed plating.

Test Equipment Usage and ESD

- Before connecting any coaxial cable to an instrument connector for the first time each day, momentarily short the center and outer conductors of the cable together.

- Personnel should be grounded with a 1 MΩ resistor-isolated wrist-strap before touching the center pin of any connector and before removing any assembly from the instrument.
- Be sure that all instruments are properly earth-grounded to prevent build-up of static charge.

For Additional Information about ESD

For more information about preventing ESD damage, contact the Electrical Overstress/Electrostatic Discharge (EOS/ESD) Association, Inc. The ESD standards developed by this agency are sanctioned by the American National Standards Institute (ANSI).

Table 1-2. Static-Safe Accessories

| HP Part Number | Description |
|--|---|
| 9300-0797* | set includes: 3M static control mat 0.6 m × 1.2 m (2 ft × 4 ft) and 4.6 cm (15 ft) ground wire. (The wrist-strap and wrist-strap cord are not included. They must be ordered separately.) |
| 9300-0980* | Wrist-strap cord 1.5 m (5 ft) |
| 9300-1383* | Wrist-strap, color black, stainless steel, without cord, has four adjustable links and a 7 mm post-type connection. |
| 9300-1169* | ESD heel-strap (reusable 6 to 12 months). |
| *Order through any Hewlett-Packard Sales and Service Office. | |
| 92175A ** | Black, hard-surface, static control mat, 1.2 m × 1.5 m (4 ft × 5 ft) |
| 92175B ** | Brown, soft-surface, static control mat, 2.4 m × 1.2 m (8 ft × 4 ft) |
| 92175C ** | Small, black, hard-surface, static control mat, 1.2 m × 0.9 m (4 ft × 3 ft) |
| 92175T ** | Tabletop static control mat, 58 cm × 76 cm (23 in × 30 in) |
| 92176A ** | Natural color anti-static carpet, 1.8 m × 1.2 m (6 ft × 4 ft) |
| 92176C ** | Russet color anti-static carpet, 1.8 m × 1.2 m (6 ft × 4 ft) |
| 92176B ** | Natural color anti-static carpet, 2.4 m × 1.2 m (8 ft × 4 ft) |
| 92176D ** | Russet color anti-static carpet, 2.4 m × 1.2 m (8 ft × 4 ft) |
| **Order by calling HP DIRECT Phone (800) 538-8787 or through any Hewlett-Packard Sales and Service Office. | |

Returning Instruments for Service

When an instrument is returned to a Hewlett-Packard service office for servicing, it must be adequately packaged and have a blue repair tag attached. Repair tags are provided at the end of this chapter. When filling out the blue repair tag, please be as specific as possible about the nature of the problem. Include copies of additional failure information (such as instrument failure settings, data related to instrument failure, and error messages) along with the instrument being returned.

Please notify the service office before returning your instrument for service. Any special arrangements for the instrument can be discussed at this time. This will help the service office to service and return your instrument as quickly as possible.

Packaging

The original shipping containers should be used. If the original materials were not retained, identical packaging materials are available through any Hewlett-Packard office. Figure 1-4 illustrates the factory packaging material and provides their corresponding part numbers.

Caution



Instrument damage can result from using packaging materials other than those specified. Never use styrene pellets as packaging material. They do not adequately cushion the instrument or prevent it from shifting in the carton. They may also cause instrument damage by generating static electricity.

Instrument Shipping Preparation Procedure

1. Fill out a blue repair tag (located at the end of this chapter) and attach it to the instrument. Include any specific performance details related to the problem.

If a blue repair tag is not available, the following information should be returned with the instrument.

- a. Type of service required.
 - b. Description of the problem:
 - Whether problem is constant or intermittent.
 - Whether instrument is temperature-sensitive.
 - Whether instrument is vibration-sensitive.
 - Instrument failure settings.
 - Error codes.
 - Performance data.
 - c. Company name and return address.
 - d. Name and phone number of technical contact person.
 - e. Model number of returned instrument.
 - f. Full serial number of returned instrument.
 - g. List of any accessories returned with instrument.
2. Pack the instrument in the appropriate packaging material. See Figure 1-4.

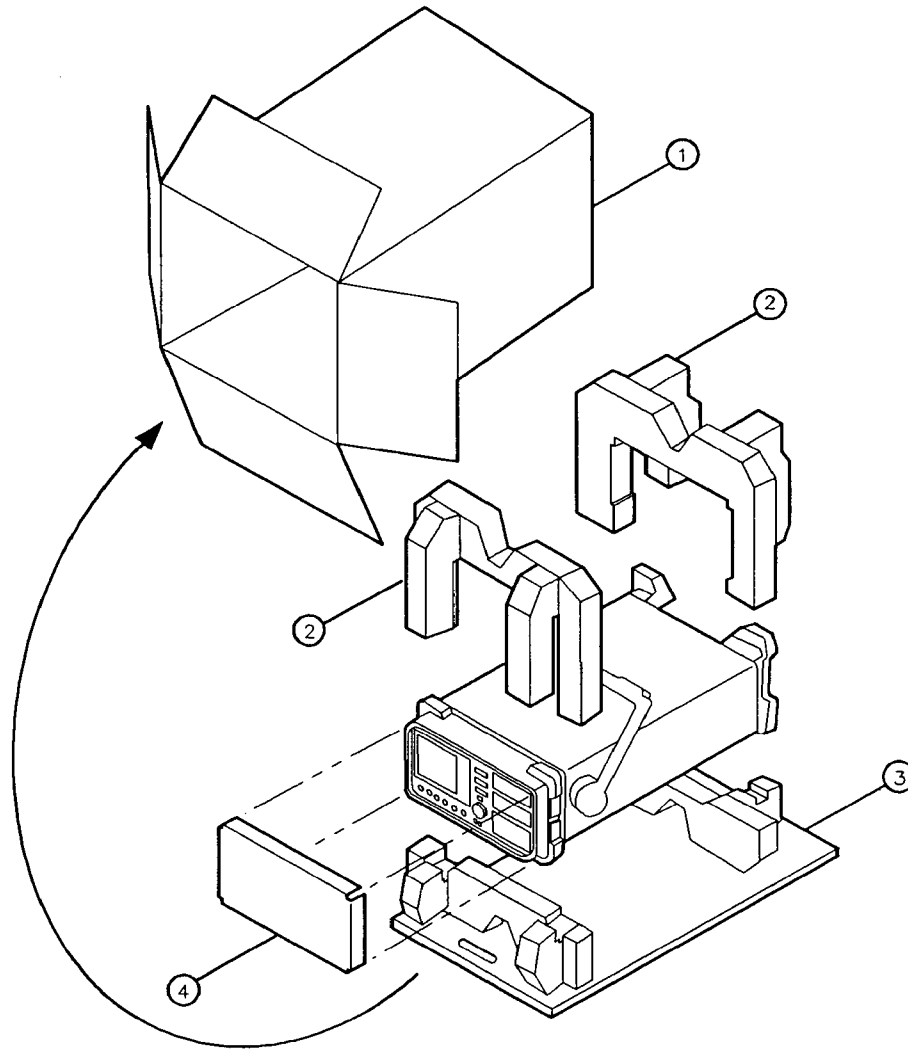
If the original or equivalent packaging materials cannot be obtained, instruments can be packaged using the following instructions.

Caution



Inappropriate packaging of instruments may result in damage to the instrument during transit.

- a. Wrap the instrument in antistatic plastic to reduce the possibility of damage caused by ESD.
 - b. For instruments that weigh less than 54 kg (120 lb), use a double-walled, corrugated cardboard carton of 159 kg (350 lb) test strength.
 - c. The carton must be large enough to allow three to four inches on all sides of the instrument for packing material, and strong enough to accommodate the weight of the instrument.
 - d. Surround the equipment with three to four inches of packing material, to protect the instrument and prevent it from moving in the carton. If packing foam is not available, the best alternative is S.D-240 Air Cap™ from Sealed Air Corporation (Commerce, California 90001). Air Cap looks like a plastic sheet filled with air bubbles. Use the pink (antistatic) Air Cap™ to reduce static electricity. Wrapping the instrument several times in this material will protect the instrument and prevent it from moving in the carton.
3. Seal the carton with strong nylon adhesive tape.
 4. Mark the carton “FRAGILE, HANDLE WITH CARE”.
 5. Retain copies of all shipping papers.



| Item | HP Part Number | Description |
|------|----------------|--------------------|
| 1 | 9211-5636 | Outer Carton |
| 2 | 08590-80013 | Foam Pad Set |
| 3 | 08590-80014 | Bottom Tray |
| 4 | 9220-4488 | Front Frame Insert |

Figure 1-4. Instrument Packaging Material

Sales and Service Offices

Hewlett-Packard has sales and service offices located around the world to provide complete support for Hewlett-Packard products. To obtain servicing information or to order replacement parts, contact the nearest Hewlett-Packard Sales and Service Office listed in Table 1-3. In any correspondence or telephone conversation, refer to the instrument by its model number, serial number, firmware revision, and option designation.

Recommended Test Equipment

Equipment required for the adjustment, troubleshooting, and performance testing of the analyzer is listed in Table 1-4. Other equipment may be substituted for the recommended models, if it meets or exceeds the critical specifications listed in Table 1-4.

Recommended Service Tools

Table 1-5 and Figure 1-5 provide descriptions and HP part numbers for special service tools that are used throughout this manual.

Table 1-6 provides an additional list of common hand tools that are also recommended for repairing the HP 8591A.

Refer to “Ordering Information” in Chapter 4 when ordering service tools and accessories.

Table 1-3. Hewlett-Packard Sales and Service Offices

| | | |
|---|---|---|
| <p>IN THE UNITED STATES</p> <p>California Hewlett-Packard Co. 1421 South Manhattan Ave. P.O. Box 4230 Fullerton, CA 92631 (714) 999-6700</p> <p>Hewlett-Packard Co. 301 E. Evelyn Mountain View, CA 94039 (415) 694-2000</p> <p>Colorado Hewlett-Packard Co. 24 Inverness Place, East Englewood, CO 80112 (303) 649-5000</p> <p>Georgia Hewlett-Packard Co. 2000 South Park Place P.O. Box 105005 Atlanta, GA 30339 (404) 955-1500</p> <p>Illinois Hewlett-Packard Co. 5201 Tollview Drive Rolling Meadows, IL 60008 (312) 255-9800</p> <p>New Jersey Hewlett-Packard Co. 120 W. Century Road Paramus, NJ 07653 (201) 265-5000</p> <p>Texas Hewlett-Packard Co. 930 E. Campbell Rd. Richardson, TX 75081 (214) 231-6101</p> | <p>IN AUSTRALIA Hewlett-Packard Australia Ltd. 31-41 Joseph Street Blackburn, Victoria 3130 895-2895</p> <p>IN CANADA Hewlett-Packard (Canada) Ltd. 17500 South Service Road Trans-Canada Highway Kirkland, Quebec H9J 2X8 (514) 697-4232</p> <p>IN FRANCE Hewlett-Packard France F-91947 Les Ulis Cedex Orsay (6) 907-78-25</p> <p>IN GERMAN FEDERAL REPUBLIC Hewlett-Packard GmbH Vertriebszentrale Frankfurt Berner Strasse 117 Postfach 560 140 D-6000 Frankfurt 56 (0611) 50-04-1</p> <p>IN GREAT BRITAIN Hewlett-Packard Ltd. King Street Lane Winnersh, Wokingham Berkshire RG11 5AR 0734 784774</p> <p>IN OTHER EUROPEAN COUNTRIES Hewlett-Packard (Schweiz) AG Allmend 2 CH-8967 Widen (Zurich) (0041) 57 31 21 11</p> | <p>IN JAPAN Yokogawa-Hewlett-Packard Ltd. 29-21 Takaido-Higashi, 3 Chome Suginami-ku Tokyo 168 (03) 331-6111</p> <p>IN PEOPLE'S REPUBLIC OF CHINA China Hewlett-Packard, Ltd. P.O. Box 9610, Beijing 4th Floor, 2nd Watch Factory Main Bldg. Shuang Yu Shu, Bei San Huan Rd. Beijing, PRC 256-6888</p> <p>IN SINGAPORE Hewlett-Packard Singapore Pte. Ltd. 1150 Depot Road Singapore 0410 273 7388 Telex HPSGSO RS34209 Fax (65) 2788990</p> <p>IN TAIWAN Hewlett-Packard Taiwan 8th Floor, Hewlett-Packard Building 337 Fu Hsing North Road Taipei (02) 712-0404</p> <p>IN ALL OTHER LOCATIONS Hewlett-Packard Inter-Americas 3495 Deer Creek Rd. Palo Alto, California 94304</p> |
|---|---|---|

Table 1-4. Recommended Test Equipment (1 of 4)

| Instrument | Critical Specifications for Equipment Substitution | Recommended Model | Use* |
|---|---|----------------------|-------|
| Synthesized Sweeper | Frequency Range: 10 MHz to 1.8 GHz Frequency Accuracy (CW): $\pm 0.02\%$ Leveling Modes: Internal and External Modulation Modes: AM Power Level Range: -35 to $+16$ dBm | HP 8340A/B | P,A,T |
| Synthesizer Function Generator | Frequency Range: 0.1 Hz to 500 Hz Frequency Accuracy: $\pm 0.02\%$ Waveform: Triangle | HP 3325B | P |
| Synthesizer/Level Generator | Frequency Range: 500 Hz to 80 MHz Amplitude Range: $+12$ to -85 dBm Flatness: ± 0.15 dB Attenuator Accuracy: ± 0.09 dB | HP 3335A | P,A,T |
| AM/FM Signal Generator | Frequency Range: 1 MHz to 1000 MHz Amplitude Range: -35 to $+16$ dBm SSB Noise: < -120 dBc/Hz at 20 kHz offset | HP 8640B, Option 002 | P,A,T |
| Measuring Receiver | Compatible with Power Sensors dB Relative Mode Resolution: 0.01 dB Reference Accuracy: $\pm 1.2\%$ | HP 8902A | P,A,T |
| Power Meter | Power Range: Calibrated in dBm and dB relative to reference power -70 dBm to $+44$ dBm, sensor dependent | HP 436A | P,A,T |
| Power Sensor | Frequency Range: 1 MHz to 1800 MHz Maximum SWR: 1.1 (1 MHz to 2.0 GHz) 1.30 (2.0 to 2.9 GHz) | HP 8482A | P,A,T |
| Power † Sensor | Frequency Range: 100 kHz to 2 GHz Maximum SWR: 1.18 (600 kHz to 2.0 GHz) 75Ω | HP 8483A | P,A,T |
| Low Power Sensor | Frequency Range: 300 MHz Amplitude Range: -20 dBm to -70 dBm Maximum SWR: 1.1 (300 MHz) | HP 8484A | P,A,T |
| Microwave Frequency Counter | Frequency Range: 9 MHz to 7 GHz Timebase Accy (Aging): $< 5 \times 10^{-10}$ /day | HP 5343A | P,A,T |
| * P = Performance Test, A = Adjustment, T = Troubleshooting | | | |
| † Option 001 Only | | | |

Table 1-4. Recommended Test Equipment (2 of 4)

| Instrument | Critical Specifications for Equipment Substitution | Recommended Model | Use* |
|---|---|------------------------|-------|
| Frequency Standard | Frequency: 10 MHz Timebase Accy (Aging): $<1 \times 10^{-9}$ /day | HP 5061B | P,A |
| Oscilloscope | Bandwidth: dc to 100 MHz Vertical Scale Factor of 5 V/Div | HP 1741A | T |
| Universal ‡ Frequency Counter | Frequency: 10 MHz Resolution: ± 0.002 Hz External Timebase | HP 5334A/B | P,A,T |
| Digital Voltmeter | Input Resistance: ≥ 10 megohms Accuracy: ± 10 mV on 100 V range | HP 3456A | P,A,T |
| DVM Test Leads | For use with HP 3456A | HP 34118 | A,T |
| Spectrum Analyzer | Frequency Range: 10 MHz to 7 GHz | HP 8566A/B | A,T |
| Minimum † Loss Adapter | 50 to 75 ohm, matching Frequency Range: dc to 2 GHz Insertion Loss: 5.7 dB | HP 11852B | P,A,T |
| Power Splitter | Frequency Range: 50 kHz to 1.8 GHz Insertion Loss: 6 dB (nominal) Output Tracking: <0.25 dB Equivalent Output SWR: $<1.22:1$ | HP 11667A | P,A |
| Directional Bridge | Frequency Range: 0.1 to 110 MHz Directivity: >40 dB Maximum VSWR: 1.1:1 Transmission Arm Loss: 6 dB (nominal) Coupling Arm Loss: 6 dB (nominal) | HP 8721A | P,T |
| 10 dB Attenuator | Type N (m to f) Frequency: 300 MHz | HP 8491A Option 010 | P,A,T |
| 1 dB Step Attenuator | Attenuation Range: 0 to 12 dB Frequency Range: 50 MHz Connectors: BNC female | HP 355C | P,A |
| 10 dB Step Attenuator | Attenuation Range: 0 to 30 dB Frequency Range: 50 MHz Connectors: BNC female | HP 355D | P,A |
| * P = Performance Test, A = Adjustment, T=Troubleshooting | | | |
| † Option 001 Only | | | |
| ‡ Option 004 Only | | | |

Table 1-4. Recommended Test Equipment (3 of 4)

| Instrument | Critical Specifications for Equipment Substitution | Recommended Model | Use* |
|------------------------|---|-----------------------|-------|
| Low Pass Filter | Cutoff Frequency: 50 MHz Rejection at 80 MHz: >50 dB | 0955-0306 | P,T |
| Low Pass Filter | Cutoff Frequency: 300 MHz Bandpass Insertion Loss: <0.9 dB at 300 MHz Stopband Insertion Loss: >40 dB at 435 MHz | 0955-0455 | P,A,T |
| Termination | Impedance: 50Ω (nominal) | HP 908A | P,T |
| Termination † | Impedance: 75Ω (nominal) | HP 909E Option 201 | P,T |
| Logic Pulser | TTL voltage and current drive levels | HP 546A | T |
| Digital Current Tracer | Sensitivity: 1 mA to 500 mA Frequency Response: Pulse trains to 10 MHz Minimum Pulse Width: 50 ns Pulse Rise Time: <200 ns | HP 547A | T |
| Logic Clip | TTL voltage and current drive levels | HP 548A | T |
| Cable | Type N, 163 cm (72 in) | HP 11500A | P,A,T |
| Cable | Frequency Range: dc to 1 GHz Length: ≥91 cm (36 in) Connectors: BNC (m) both ends (4 required) | HP 10503A | P,A,T |
| Cable | Frequency Range: dc to 310 MHz Length: 20 cm (9 in) Connectors: BNC (m) both ends | HP 10502A | P,A,T |
| Cable † ‡ | BNC, 75Ω, 30 cm (12 in) | HP 5062-6452 | P,A,T |
| Cable § | BNC, 50Ω, 23 cm (9 in) | 8120-2682 | P,A,T |
| Cable | 50Ω, BNC (m) to dual banana plug | 11001-60001 | P,A,T |
| Cable † | BNC, 75Ω, 120 cm (48 in) | 15525-80010 | P,A,T |

* P = Performance Test, A = Adjustment, T=Troubleshooting

† Option 001 Only

‡ Calibration (CAL) cable for analyzers equipped with 75Ω RF input.

§ Calibration (CAL) cable for analyzers equipped with 50Ω RF input.

Table 1-4. Recommended Test Equipment (4 of 4)

| Instrument | Critical Specifications for Equipment Substitution | Recommended Model | Use* |
|--------------|--|------------------------|-------|
| Test Cable | Length: ≥ 91 cm (36 in) Connectors: SMB (f) to BNC (m) (2 required) | 85680-60093 | A,T |
| Adapter † | Type N (f), 75 Ω , to Type N (m), 50 Ω | 1250-0597 | P,A,T |
| Adapter | Type N (f) to BNC (f) | 1250-1474 | P,A,T |
| Adapter | Type N (m) to BNC (f) (4 required) | 1250-1476 | P,A,T |
| Adapter | Type N (m) to BNC (m) (2 required) | 1250-1473 | P,A,T |
| Adapter | Type N (f) to BNC (m) | 1250-1477 | P,A,T |
| Adapter | Type N (m) to APC 3.5 (m) | 1250-1743 | P,A,T |
| Adapter | Type N (f) to APC 3.5 (f) | 1250-1745 | P,A,T |
| Adapter | APC 3.5 (f) to APC 3.5 (f) | 5061-5311 | P,A,T |
| Adapter † | Type N (f) to BNC (m), 75 Ω | 1250-1534 | P,A,T |
| Adapter † | BNC (m) to BNC (m), 75 Ω | 1250-1288 | P,A,T |
| Adapter | Type N (f) to APC 3.5 (m) | 1250-1750 | P,A,T |
| Adapter | BNC (f) to dual banana plug | 1251-1277 | P,A,T |
| Adapter | SMB (f) to SMB (f) | 1250-0692 | A,T |
| Adapter | SMB (m) to SMB (m) | 1250-0813 | A,T |
| Adapter | BNC (m) to BNC (m) | 1250-0216 | P,A,T |
| Adapter | BNC tee (m)(f)(f) | 1250-0781 | T |
| Adapter | BNC (f) to SMB (m) | 1250-1237 | A,T |
| Adapter † | 75 Ω , Type N (f) to BNC (m) | 1259-1534 | P,A,T |
| Active Probe | 5 Hz to 500 MHz 300 kHz to 3 GHz | HP 41800A HP 85024A | T |

* P = Performance Test, A = Adjustment, T=Troubleshooting

† Option 001 Only

Table 1-5. Special Service Tools

| Item | Description | HP Part Number | Use* |
|------|--|----------------|-------|
| 1 | Board Puller, two prongs to lift PC boards | 03950-4001 | A,T |
| 2 | Extender Board, pin and socket, 20 contacts (2 required) | 5062-1999 | T |
| 3 | Extender Board, pin and socket, 60 contacts | 5062-2000 | T |
| 4 | Extender Board, 22 pin edge connector, 44 contacts | 08565-60107 | T |
| 5 | IF Test Board | 5062-6421 | A,T |
| 6 | Crystal Bandwidth Shorts (set of 3) | 5062-4855 | A,T |
| | <i>Components Needed to Build One Crystal Short</i> | | |
| 6a | 0.01 μ F capacitor | 0160-4832 | |
| 6b | 90.0 Ω resistor | 0757-0400 | |
| 6c | Square, single-connector terminal (2 required) | 1251-4182 | |
| 6d | Two terminal connector body | 1251-0689 | |
| 6e | 3/16 inch dia. shrink tubing, 1 1/8 inches long | 0890-0029 | |
| 7 | Wrench, 5/16 inch, combination, with slotted box end (two required) | 08555-20097 | A,R |
| 8 | Wrench, 1/4 inch, combination | 8720-0014 | R |
| 9 | Wrench, 15/64 inch, open end | 8710-0946 | R |
| 10 | Torque Wrench, break-away, 10 inch-pounds, 5/16 inch, open end | 40-60271† | R |
| 11 | Cable Puller, pry-bar style | 5021-6773 | A,T,R |
| 12 | Alignment Tool, metal tip in plastic body | 8710-0630 | A,T |
| 13 | Alignment Tool, nonmetallic tip, fiber body | 8710-0033 | A,T |
| 14 | Tuning Tool, modified 5/16 inch nut driver with modified No. 10 Allen driver | 08555-60107 | A |
| 15 | TORX Hand Driver with required T8 and T10 bits, included in TORX driver kit with multiple bits (See tool-tip illustration) | 8710-1426 | A,R |

*A = Adjustment, T = Troubleshooting, R = Replacement Procedure

† The part number provided is a non-HP part number. This tool can be ordered from:

Assembly Systems Inc.
16595 Englewood Avenue
Los Gatos, California 95032
(408) 395-5315

If you order a similar tool from your local supplier, it is important that the outside dimension of the wrench be no wider than 0.518 inches. This allows the wrench to be used on semirigid cable connectors in confined areas.

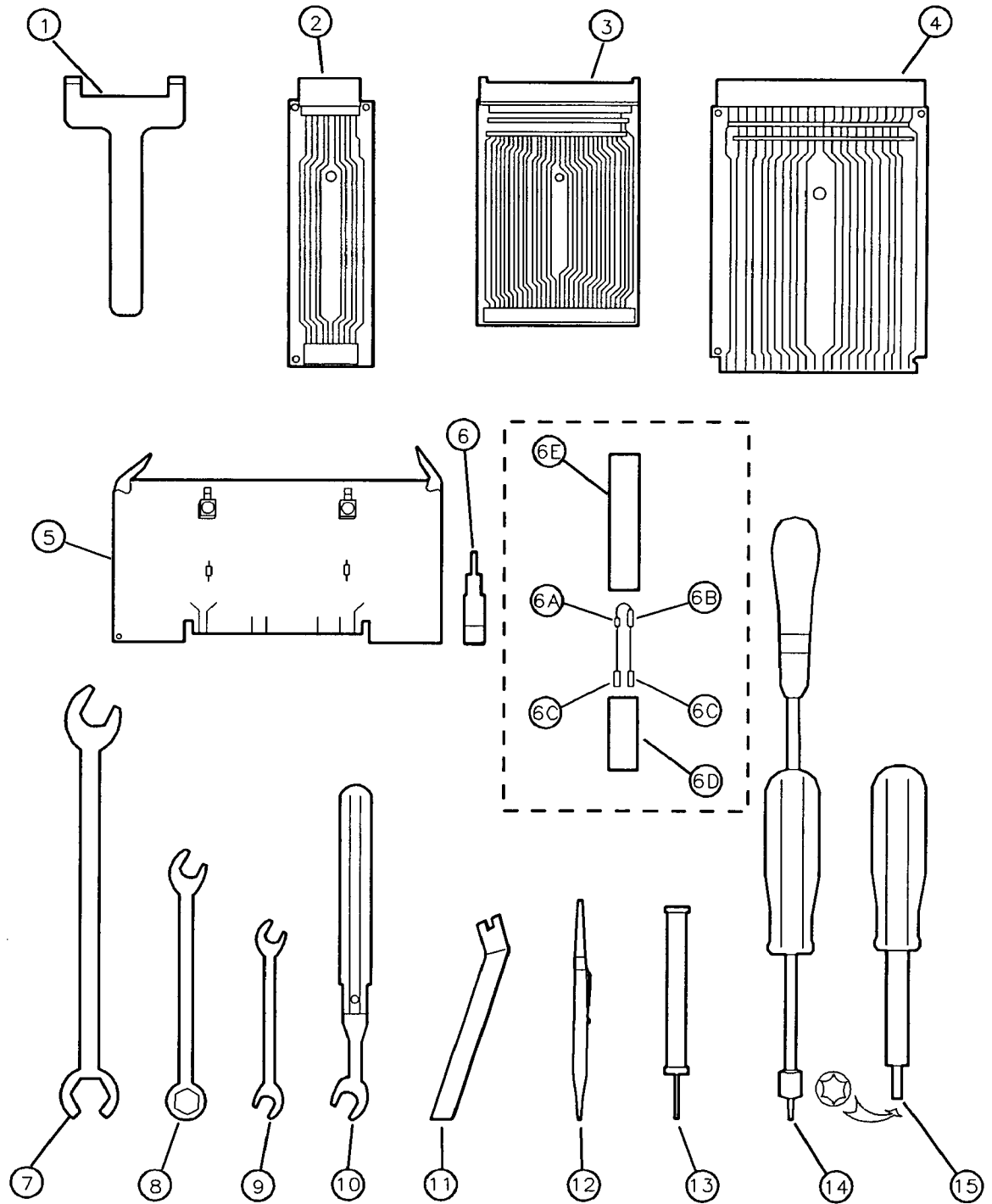


Figure 1-5. Service Accessories

Table 1-6. Common Hand Tools

| Description | HP Part Number | Use* |
|---|----------------|------|
| <i>Additional Required Hand Tools(not illustrated)</i> | | |
| 3mm hex (Allen) wrench | 8710-1392 | R |
| 4mm hex (Allen) wrench | 8710-1755 | A,R |
| No. 4 hex (Allen) wrench | 5020-0288 | R |
| No. 6 hex (Allen) wrench | 5020-0289 | R |
| 7mm nut driver | 8710-1217 | R |
| 3/8 inch nut driver | 8720-0005 | R |
| 5/16 inch nut driver | 8720-0003 | R |
| 7/16 inch nut driver | 8720-0006 | R |
| 9/16 inch nut driver, drilled out, end covered with heatshrink tubing to protect front/rear-panel surface | 8720-0008 | R |
| Small #0 Phillips Screwdriver | 8710-0978 | R |
| Small #1 Posidrive screwdriver | 8710-0899 | A,R |
| Large #2 Posidrive screwdriver | 8710-0900 | A,R |
| Long-nose pliers | 8710-0003 | R |
| Wire cutters | 8710-0012 | R |
| Wire strippers | 8710-0058 | R |
| * A = Adjustment, T = Troubleshooting, R = Replacement Procedure | | |



Should one of your HP instruments need repair, the HP service organization is ready to serve you. However, you can help us serve you more effectively. When sending an instrument to HP for repair, please fill out this card and attach it to the product. Increased repair efficiency and reduced turn-around time should result.

COMPANY _____

ADDRESS _____

TECHNICAL CONTACT PERSON _____

PHONE NO. _____ EXT. _____

MODEL NO. _____ SERIAL NO. _____

MODEL NO. _____ SERIAL NO. _____

P.O. NO. _____ DATE _____

Accessories returned with unit

NONE CABLE(S)

POWER CABLE ADAPTER(S)

OTHER _____
over



Should one of your HP instruments need repair, the HP service organization is ready to serve you. However, you can help us serve you more effectively. When sending an instrument to HP for repair, please fill out this card and attach it to the product. Increased repair efficiency and reduced turn-around time should result.

COMPANY _____

ADDRESS _____

TECHNICAL CONTACT PERSON _____

PHONE NO. _____ EXT. _____

MODEL NO. _____ SERIAL NO. _____

MODEL NO. _____ SERIAL NO. _____

P.O. NO. _____ DATE _____

Accessories returned with unit

NONE CABLE(S)

POWER CABLE ADAPTER(S)

OTHER _____
over



Should one of your HP instruments need repair, the HP service organization is ready to serve you. However, you can help us serve you more effectively. When sending an instrument to HP for repair, please fill out this card and attach it to the product. Increased repair efficiency and reduced turn-around time should result.

COMPANY _____

ADDRESS _____

TECHNICAL CONTACT PERSON _____

PHONE NO. _____ EXT. _____

MODEL NO. _____ SERIAL NO. _____

MODEL NO. _____ SERIAL NO. _____

P.O. NO. _____ DATE _____

Accessories returned with unit

NONE CABLE(S)

POWER CABLE ADAPTER(S)

OTHER _____
over



Should one of your HP instruments need repair, the HP service organization is ready to serve you. However, you can help us serve you more effectively. When sending an instrument to HP for repair, please fill out this card and attach it to the product. Increased repair efficiency and reduced turn-around time should result.

COMPANY _____

ADDRESS _____

TECHNICAL CONTACT PERSON _____

PHONE NO. _____ EXT. _____

MODEL NO. _____ SERIAL NO. _____

MODEL NO. _____ SERIAL NO. _____

P.O. NO. _____ DATE _____

Accessories returned with unit

NONE CABLE(S)

POWER CABLE ADAPTER(S)

OTHER _____
over



Should one of your HP instruments need repair, the HP service organization is ready to serve you. However, you can help us serve you more effectively. When sending an instrument to HP for repair, please fill out this card and attach it to the product. Increased repair efficiency and reduced turn-around time should result.

COMPANY _____

ADDRESS _____

TECHNICAL CONTACT PERSON _____

PHONE NO. _____ EXT. _____

MODEL NO. _____ SERIAL NO. _____

MODEL NO. _____ SERIAL NO. _____

P.O. NO. _____ DATE _____

Accessories returned with unit

NONE CABLE(S)

POWER CABLE ADAPTER(S)

OTHER _____
over



Should one of your HP instruments need repair, the HP service organization is ready to serve you. However, you can help us serve you more effectively. When sending an instrument to HP for repair, please fill out this card and attach it to the product. Increased repair efficiency and reduced turn-around time should result.

COMPANY _____

ADDRESS _____

TECHNICAL CONTACT PERSON _____

PHONE NO. _____ EXT. _____

MODEL NO. _____ SERIAL NO. _____

MODEL NO. _____ SERIAL NO. _____

P.O. NO. _____ DATE _____

Accessories returned with unit

NONE CABLE(S)

POWER CABLE ADAPTER(S)

OTHER _____
over

Service needed

- CALIBRATION ONLY
- REPAIR REPAIR & CAL

OTHER _____

Observed symptoms/problems

FAILURE MODE IS:

- CONSTANT INTERMITTENT

SENSITIVE TO:

- COLD HEAT VIBRATION

FAILURE SYMPTOMS/SPECIAL CONTROL SETTINGS _____

If unit is part of system list model number(s) of other interconnected instruments. _____

Service needed

- CALIBRATION ONLY
- REPAIR REPAIR & CAL

OTHER _____

Observed symptoms/problems

FAILURE MODE IS:

- CONSTANT INTERMITTENT

SENSITIVE TO:

- COLD HEAT VIBRATION

FAILURE SYMPTOMS/SPECIAL CONTROL SETTINGS _____

If unit is part of system list model number(s) of other interconnected instruments. _____

Service needed

- CALIBRATION ONLY
- REPAIR REPAIR & CAL

OTHER _____

Observed symptoms/problems

FAILURE MODE IS:

- CONSTANT INTERMITTENT

SENSITIVE TO:

- COLD HEAT VIBRATION

FAILURE SYMPTOMS/SPECIAL CONTROL SETTINGS _____

If unit is part of system list model number(s) of other interconnected instruments. _____

Service needed

- CALIBRATION ONLY
- REPAIR REPAIR & CAL

OTHER _____

Observed symptoms/problems

FAILURE MODE IS:

- CONSTANT INTERMITTENT

SENSITIVE TO:

- COLD HEAT VIBRATION

FAILURE SYMPTOMS/SPECIAL CONTROL SETTINGS _____

If unit is part of system list model number(s) of other interconnected instruments. _____

Service needed

- CALIBRATION ONLY
- REPAIR REPAIR & CAL

OTHER _____

Observed symptoms/problems

FAILURE MODE IS:

- CONSTANT INTERMITTENT

SENSITIVE TO:

- COLD HEAT VIBRATION

FAILURE SYMPTOMS/SPECIAL CONTROL SETTINGS _____

If unit is part of system list model number(s) of other interconnected instruments. _____

Service needed

- CALIBRATION ONLY
- REPAIR REPAIR & CAL

OTHER _____

Observed symptoms/problems

FAILURE MODE IS:

- CONSTANT INTERMITTENT

SENSITIVE TO:

- COLD HEAT VIBRATION

FAILURE SYMPTOMS/SPECIAL CONTROL SETTINGS _____

If unit is part of system list model number(s) of other interconnected instruments. _____

Adjustment Procedures

The procedures in this chapter adjust the analyzer's electrical performance to the specifications described in Table 1-1 of the *HP 8591A/8593A Spectrum Analyzer Installation, Verification, and Operation Manual*.

If one or more analyzer assemblies has been replaced or repaired, related adjustment procedures should be done prior to performing the operation verification. Refer to the "Adjustments and Tests for Replaced or Repaired Assemblies" table in Chapter 6 when an assembly is replaced or repaired for a list of the required adjustments. It is important that adjustments are performed in the order indicated to ensure that the instrument meets all of its specifications.

Most adjustments require access to the interior of the analyzer.

Warning



The analyzer contains potentially hazardous voltages. Refer to the safety symbols provided on the analyzer, and in the general safety instructions in this manual, before operating the unit with the cover removed. Ensure that safety instructions are strictly followed. Failure to do so can result in severe or fatal injury.

Before You Start

There are three things you must do *before* attempting the adjustment procedures in this chapter:

1. Familiarize yourself with the safety symbols marked on the analyzer, the general safety instructions, and the symbol definitions given in the front of this manual.
2. Allow the spectrum analyzer to warm up at least 30 minutes at room temperature.

Note



The spectrum analyzer must be allowed to stand at room temperature at least 2 hours prior to the 30 minute warm-up.

3. Read the rest of this section before you start any of the adjustment procedures.

Contents

The adjustments contained in this chapter are listed below in Table 2-1.

Table 2-1. HP 8591A Spectrum Analyzer Adjustments

| Adjustment Number | Adjustment Name |
|--------------------------|---|
| 1 | Power Supply |
| 2 | Display |
| 3 | Sampler Match |
| 4 | 10 MHz Reference (Standard) |
| 5 | 10 MHz Reference (Option 004) |
| 6 | Crystal and LC Bandwidth Filter |
| 7 | Cal Attenuator Error Correction |
| 8 | Log and Linear Amplifier |
| 9 | CAL FREQ Adjustment Routine |
| 10 | CAL AMPTD Adjustment Routine |
| 11 | Second Converter |
| 12 | Third Converter and Second IF Bandpass |
| 13 | Frequency Response |
| 14 | Time and Date |
| 15 | Modulator Offset and Gain Adjustment (Option 010 and 011) |
| 16 | Entering External ALC Correction Constants (Option 010 and 011) |
| 17 | External ALC Verification (Option 010 and 011) |
| 18 | External ALC Error Correction (Option 010 and 011) |

Recommended Test Equipment

Each adjustment procedure includes a list of the equipment and accessories required for that adjustment. Table 1-4 lists the recommended test equipment needed to maintain and adjust the analyzer. Although Hewlett-Packard equipment is recommended, equivalent equipment may be used, provided it meets the critical specifications shown in Table 1-4.

Abnormal Indications During Adjustment

If the indications received during an adjustment do not agree with the normal conditions given in the adjustment procedures, a fault exists in your analyzer. The fault should be repaired *before* proceeding with any further adjustments. Refer to the troubleshooting and repair information in Chapter 6.

Periodically Verifying Calibration

The analyzer requires periodic verification of operation. Under most conditions of use, you should test the analyzer at least once a year. To verify analyzer operation and calibration completely, you should run the entire set of performance tests indicated in the *HP 8591A/8593A Spectrum Analyzer Installation, Verification, and Operation Manual*. When test results show proper operation and calibration, no adjustments are needed. However, if test results indicate that the instrument does not meet specifications, the cause should be determined and rectified. Refer to the troubleshooting information in Chapter 6 before attempting recalibration.

Standard-Value Replacement Components

The following tables provide part numbers for standard-value replacement components used in the adjustment procedures.

- Table 2-2 lists standard value replacement capacitors.
- Table 2-3 lists standard value replacement resistors, 0.125 W.
- Table 2-4 lists standard value replacement resistors, 0.5 W.

Table 2-2. Standard Value Replacement Capacitors

| Capacitors | | | | | |
|---|----------------|----|--|----------------|----|
| Type: Tubular Range: 1 to 24 pF Tolerance: 1 to 9.1 pF = ± 0.25 pF 10 to 24 pF = $\pm 5\%$ | | | Type: Dipped Mica Range: 27 to 470 pF Tolerance: $\pm 5\%$ | | |
| Value (pF) | HP Part Number | CD | Value (pF) | HP Part Number | CD |
| 1.0 | 0160-2236 | 8 | 27 | 0160-2306 | 3 |
| 1.2 | 0160-2237 | 9 | 30 | 0160-2199 | 2 |
| 1.5 | 0150-0091 | 8 | 33 | 0160-2150 | 5 |
| 1.8 | 0160-2239 | 1 | 36 | 0160-2308 | 5 |
| 2.0 | 0160-2240 | 4 | 39 | 0140-0190 | 7 |
| 2.2 | 0160-2241 | 5 | 43 | 0160-2200 | 6 |
| 2.4 | 0160-2242 | 6 | 47 | 0160-2307 | 4 |
| 2.7 | 0160-2243 | 7 | 51 | 0160-2201 | 7 |
| 3.0 | 0160-2244 | 8 | 56 | 0140-0191 | 8 |
| 3.3 | 0150-0059 | 8 | 62 | 0140-0205 | 5 |
| 3.6 | 0160-2246 | 0 | 68 | 0140-0192 | 9 |
| 3.9 | 0160-2247 | 1 | 75 | 0160-2202 | 8 |
| 4.3 | 0160-2248 | 2 | 82 | 0140-0193 | 0 |
| 4.7 | 0160-2249 | 3 | 91 | 0160-2203 | 9 |
| 5.1 | 0160-2250 | 6 | 100 | 0160-2204 | 0 |
| 5.6 | 0160-2251 | 7 | 110 | 0140-0194 | 1 |
| 6.2 | 0160-2252 | 8 | 120 | 0160-2205 | 1 |
| 6.8 | 0160-2253 | 9 | 130 | 0140-0195 | 2 |
| 7.5 | 0160-2254 | 0 | 150 | 0140-0196 | 3 |
| 8.2 | 0160-2255 | 1 | 160 | 0160-2206 | 2 |
| 9.1 | 0160-2256 | 2 | 180 | 0140-0197 | 4 |
| 10.0 | 0160-2257 | 3 | 200 | 0140-0198 | 5 |
| 11.0 | 0160-2258 | 4 | 220 | 0160-0134 | 1 |
| 12.0 | 0160-2259 | 5 | 240 | 0140-0199 | 6 |
| 13.0 | 0160-2260 | 8 | 270 | 0140-0210 | 2 |
| 15.0 | 0160-2261 | 9 | 300 | 0160-2207 | 3 |
| 16.0 | 0160-2262 | 0 | 330 | 0160-2208 | 4 |
| 18.0 | 0160-2263 | 1 | 360 | 0160-2209 | 5 |
| 20.0 | 0160-2264 | 2 | 390 | 0140-0200 | 0 |
| 22.0 | 0160-2265 | 3 | 430 | 0160-0939 | 4 |
| 24.0 | 0160-2266 | 4 | 470 | 0160-3533 | 0 |

Table 2-3. Standard Value Replacement Resistors, 0.125 W

| Resistors | | | | | |
|--------------------------------------|----------------|----|--------------------|----------------|----|
| Type: Fixed-Film | | | | | |
| Range: 10 Ω to 464 K Ω | | | | | |
| Wattage: 0.125 at 125°C | | | | | |
| Tolerance: $\pm 1.0\%$ | | | | | |
| Value (Ω) | HP Part Number | CD | Value (Ω) | HP Part Number | CD |
| 10.0 | 0757-0346 | 2 | 422 | 0698-3447 | 4 |
| 11.0 | 0757-0378 | 0 | 464 | 0698-0082 | 7 |
| 12.1 | 0757-0379 | 1 | 511 | 0757-0416 | 7 |
| 13.3 | 0698-3427 | 0 | 562 | 0757-0417 | 8 |
| 14.7 | 0698-3428 | 1 | 619 | 0757-0418 | 9 |
| 16.2 | 0757-0382 | 6 | 681 | 0757-0419 | 0 |
| 17.8 | 0757-0294 | 9 | 750 | 0757-0420 | 3 |
| 19.6 | 0698-3429 | 2 | 825 | 0757-0421 | 4 |
| 21.5 | 0698-3430 | 5 | 909 | 0757-0422 | 5 |
| 23.7 | 0698-3431 | 6 | 1.0K | 0757-0280 | 3 |
| 26.1 | 0698-3432 | 7 | 1.1K | 0757-0424 | 7 |
| 28.7 | 0698-3433 | 8 | 1.21K | 0757-0274 | 5 |
| 31.6 | 0757-0180 | 2 | 1.33K | 0757-0317 | 7 |
| 34.8 | 0698-3434 | 9 | 1.47K | 0757-1094 | 9 |
| 38.3 | 0698-3435 | 0 | 1.62K | 0757-0428 | 1 |
| 42.2 | 0757-0316 | 6 | 1.78K | 0757-0278 | 9 |
| 46.4 | 0698-4037 | 0 | 1.96K | 0698-0083 | 8 |
| 51.1 | 0757-0394 | 0 | 2.15K | 0698-0084 | 9 |
| 56.2 | 0757-0395 | 1 | 2.37K | 0698-3150 | 6 |
| 61.9 | 0757-0276 | 7 | 2.61K | 0698-0085 | 0 |
| 68.1 | 0757-0397 | 3 | 2.87K | 0698-3151 | 7 |
| 75.0 | 0757-0398 | 4 | 3.16K | 0757-0279 | 0 |
| 82.5 | 0757-0399 | 5 | 3.48K | 0698-3152 | 8 |
| 90.9 | 0757-0400 | 9 | 3.83K | 0698-3153 | 9 |
| 100 | 0757-0401 | 0 | 4.22K | 0698-3154 | 0 |
| 110 | 0757-0402 | 1 | 4.64K | 0698-3155 | 1 |
| 121 | 0757-0403 | 2 | 5.11K | 0757-0438 | 3 |
| 133 | 0698-3437 | 2 | 5.62K | 0757-0200 | 7 |
| 147 | 0698-3438 | 3 | 6.19K | 0757-0290 | 5 |
| 162 | 0757-0405 | 4 | 6.81K | 0757-0439 | 4 |
| 178 | 0698-3439 | 4 | 7.50K | 0757-0440 | 7 |
| 196 | 0698-3440 | 7 | 8.25K | 0757-0441 | 8 |
| 215 | 0698-3441 | 8 | 9.09K | 0757-0288 | 1 |
| 237 | 0698-3442 | 9 | 10.0K | 0757-0442 | 9 |
| 261 | 0698-3132 | 4 | 11.0K | 0757-0443 | 0 |
| 287 | 0698-3443 | 0 | 12.1K | 0757-0444 | 1 |
| 316 | 0698-3444 | 1 | 13.3K | 0757-0289 | 2 |
| 348 | 0698-3445 | 2 | 14.7K | 0698-3156 | 2 |
| 383 | 0698-3446 | 3 | 16.2K | 0757-0447 | 4 |

Table 2-3. Standard Value Replacement Resistors, 0.125 W (continued)

| Resistors | | | | | |
|--------------------------------------|----------------|----|--------------------|----------------|----|
| Type: Fixed-Film | | | | | |
| Range: 10 Ω to 464 K Ω | | | | | |
| Wattage: 0.125 at 125°C | | | | | |
| Tolerance: $\pm 1.0\%$ | | | | | |
| Value (Ω) | HP Part Number | CD | Value (Ω) | HP Part Number | CD |
| 17.8K | 0698-3136 | 8 | 100K | 0757-0465 | 6 |
| 19.6K | 0698-3157 | 3 | 110K | 0757-0466 | 7 |
| 21.5K | 0757-0199 | 3 | 121K | 0757-0467 | 8 |
| 23.7K | 0698-3158 | 4 | 133K | 0698-3451 | 0 |
| 26.1K | 0698-3159 | 5 | 147K | 0698-3452 | 1 |
| 28.7K | 0698-3449 | 6 | 162K | 0757-0470 | 3 |
| 31.6K | 0698-3160 | 8 | 178K | 0698-3243 | 8 |
| 34.8K | 0757-0123 | 3 | 196K | 0698-3453 | 2 |
| 38.3K | 0698-3161 | 9 | 215K | 0698-3454 | 3 |
| 42.2K | 0698-3450 | 9 | 237K | 0698-3266 | 5 |
| 46.4K | 0698-3162 | 0 | 261K | 0698-3455 | 4 |
| 51.1K | 0757-0458 | 7 | 287K | 0698-3456 | 5 |
| 56.2K | 0757-0459 | 8 | 316K | 0698-3457 | 6 |
| 61.9K | 0757-0460 | 1 | 348K | 0698-3458 | 7 |
| 68.1K | 0757-0461 | 2 | 383K | 0698-3459 | 8 |
| 75.0K | 0757-0462 | 3 | 422K | 0698-3460 | 1 |
| 82.5K | 0757-0463 | 4 | 464K | 0698-3260 | 9 |
| 90.9K | 0757-0464 | 5 | | | |

Table 2-4. Standard Value Replacement Resistors, 0.5 W

| Resistors | | | | | |
|---------------------------------------|----------------|----|--------------------|----------------|----|
| Type: Fixed-Film | | | | | |
| Range: 10 Ω to 1.47 M Ω | | | | | |
| Wattage: 0.5 at 125°C | | | | | |
| Tolerance: $\pm 1.0\%$ | | | | | |
| Value (Ω) | HP Part Number | CD | Value (Ω) | HP Part Number | CD |
| 10.0 | 0757-0984 | 4 | 383 | 0698-3404 | 3 |
| 11.0 | 0575-0985 | 5 | 422 | 0698-3405 | 4 |
| 12.1 | 0757-0986 | 6 | 464 | 0698-0090 | 7 |
| 13.3 | 0757-0001 | 6 | 511 | 0757-0814 | 9 |
| 14.7 | 0698-3388 | 2 | 562 | 0757-0815 | 0 |
| 16.2 | 0757-0989 | 9 | 619 | 0757-0158 | 4 |
| 17.8 | 0698-3389 | 3 | 681 | 0757-0816 | 1 |
| 19.6 | 0698-3390 | 6 | 750 | 0757-0817 | 2 |
| 21.5 | 0698-3391 | 7 | 825 | 0757-0818 | 3 |
| 23.7 | 0698-3392 | 8 | 909 | 0757-0819 | 4 |
| 26.1 | 0757-0003 | 8 | 1.00K | 0757-0159 | 5 |
| 28.7 | 0698-3393 | 9 | 1.10K | 0757-0820 | 7 |
| 31.6 | 0698-3394 | 0 | 1.21K | 0757-0821 | 8 |
| 34.8 | 0698-3395 | 1 | 1.33K | 0698-3406 | 5 |
| 38.3 | 0698-3396 | 2 | 1.47K | 0757-1078 | 9 |
| 42.2 | 0698-3397 | 3 | 1.62K | 0757-0873 | 0 |
| 46.4 | 0698-3398 | 4 | 1.78K | 0698-0089 | 4 |
| 51.1 | 0757-1000 | 7 | 1.96K | 0698-3407 | 6 |
| 56.2 | 0757-1001 | 8 | 2.15K | 0698-3408 | 7 |
| 61.9 | 0757-1002 | 9 | 2.37K | 0698-3409 | 8 |
| 68.1 | 0757-0794 | 4 | 2.61K | 0698-0024 | 7 |
| 75.0 | 0757-0795 | 5 | 2.87K | 0698-3101 | 7 |
| 82.5 | 0757-0796 | 6 | 3.16K | 0698-3410 | 1 |
| 90.0 | 0757-0797 | 7 | 3.48K | 0698-3411 | 2 |
| 100 | 0757-0198 | 2 | 3.83K | 0698-3412 | 3 |
| 110 | 0757-0798 | 8 | 4.22K | 0698-3346 | 2 |
| 121 | 0757-0799 | 9 | 4.64K | 0698-3348 | 4 |
| 133 | 0698-3399 | 5 | 5.11K | 0757-0833 | 2 |
| 147 | 0698-3400 | 9 | 5.62K | 0757-0834 | 3 |
| 162 | 0757-0802 | 5 | 6.19K | 0757-0196 | 0 |
| 178 | 0698-3334 | 8 | 6.81K | 0757-0835 | 4 |
| 196 | 0757-1060 | 9 | 7.50K | 0757-0836 | 5 |
| 215 | 0698-3401 | 0 | 8.25K | 0757-0837 | 6 |
| 237 | 0698-3102 | 8 | 9.09K | 0757-0838 | 7 |
| 261 | 0757-1090 | 5 | 10.0K | 0757-0839 | 8 |
| 287 | 0757-1092 | 7 | 12.1K | 0757-0841 | 2 |
| 316 | 0698-3402 | 1 | 13.3K | 0698-3413 | 4 |
| 348 | 0698-3403 | 2 | 14.7K | 0698-3414 | 5 |

Table 2-4. Standard Value Replacement Resistors, 0.5 W (continued)

| Resistors | | | | | |
|---------------------------------------|----------------|----|--------------------|----------------|----|
| Type: Fixed-Film | | | | | |
| Range: 10 Ω to 1.47 M Ω | | | | | |
| Wattage: 0.5 at 125°C | | | | | |
| Tolerance: $\pm 1.0\%$ | | | | | |
| Value (Ω) | HP Part Number | CD | Value (Ω) | HP Part Number | CD |
| 16.2K | 0757-0844 | 5 | 162K | 0757-0130 | 2 |
| 17.8K | 0698-0025 | 8 | 178K | 0757-0129 | 9 |
| 19.6K | 0698-3415 | 6 | 196K | 0757-0063 | 0 |
| 21.5K | 0698-3416 | 7 | 215K | 0757-0127 | 7 |
| 23.7K | 0698-3417 | 8 | 237K | 0698-3424 | 7 |
| 26.1K | 0698-3418 | 9 | 261K | 0757-0064 | 1 |
| 28.7K | 0698-3103 | 9 | 287K | 0757-0154 | 0 |
| 31.6K | 0698-3419 | 0 | 316K | 0698-3425 | 8 |
| 34.8K | 0698-3420 | 3 | 348K | 0757-0195 | 9 |
| 38.3K | 0698-3421 | 4 | 383K | 0757-0133 | 5 |
| 42.2K | 0698-3422 | 5 | 422K | 0757-0134 | 6 |
| 46.4K | 0698-3423 | 6 | 464K | 0698-3426 | 9 |
| 51.1K | 0757-0853 | 6 | 511K | 0757-0135 | 7 |
| 56.2K | 0757-0854 | 7 | 562K | 0757-0868 | 3 |
| 61.9K | 0757-0309 | 7 | 619K | 0757-0136 | 8 |
| 68.1K | 0757-0855 | 8 | 681K | 0757-0869 | 4 |
| 75.0K | 0757-0856 | 9 | 750K | 0757-0137 | 9 |
| 82.5K | 0757-0857 | 0 | 825K | 0757-0870 | 7 |
| 90.9K | 0757-0858 | 1 | 909K | 0757-0138 | 0 |
| 100K | 0757-0367 | 7 | 1M | 0757-0059 | 4 |
| 110K | 0757-0859 | 2 | 1.1M | 0757-0139 | 1 |
| 121K | 0757-0860 | 5 | 1.21M | 0757-0871 | 8 |
| 133K | 0757-0310 | 0 | 1.33M | 0757-0194 | 8 |
| 147K | 0698-3175 | 5 | 1.47M | 0698-3464 | 5 |

1. Power Supply

Description

The +5.1 V power supply is adjusted for $+5.1 \text{ V} \pm 0.05 \text{ V}$ using a digital voltmeter.

Equipment

Test Equipment

| | |
|--------------------------|-----------|
| Digital Multimeter | HP 3456A |
| DMM Test Leads | HP 34118A |

Adjustment Procedure

1. Turn the analyzer **LINE** switch to OFF. Remove the instrument cover assembly. Refer to the "Instrument Cover" removal procedure in Chapter 3.
2. Connect the DMM test leads from the chassis (ground) to A16TP403. See Figure 2-1.

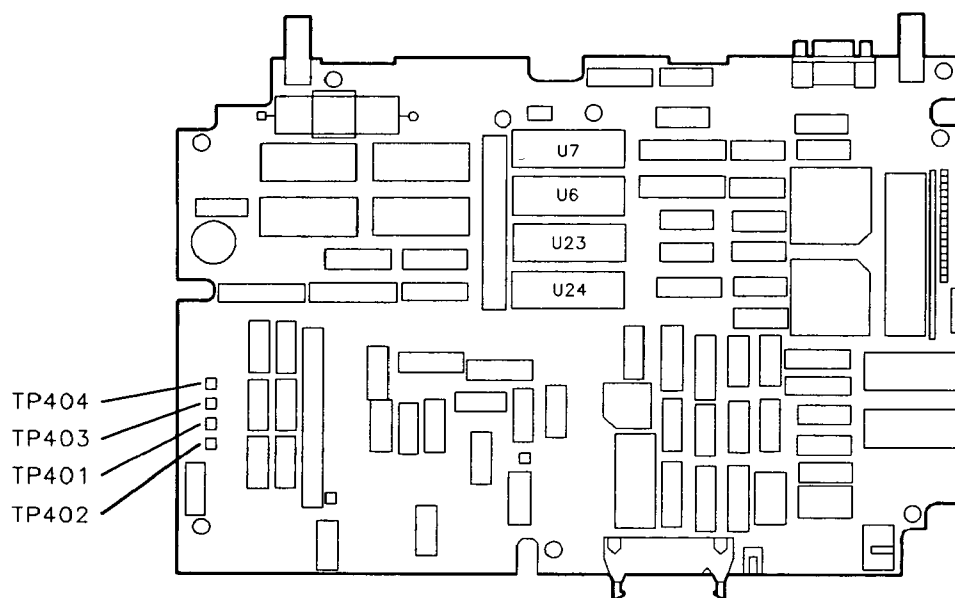


Figure 2-1. A16 Power Supply Test Point Location

3. Turn the analyzer **LINE** switch to ON. Adjust the +5.1 V adjustment (earlier units are labeled +5.2 V), for a voltage reading of $+5.1 \text{ V} \pm 0.05 \text{ V}$ (see Figure 2-2).

1. Power Supply

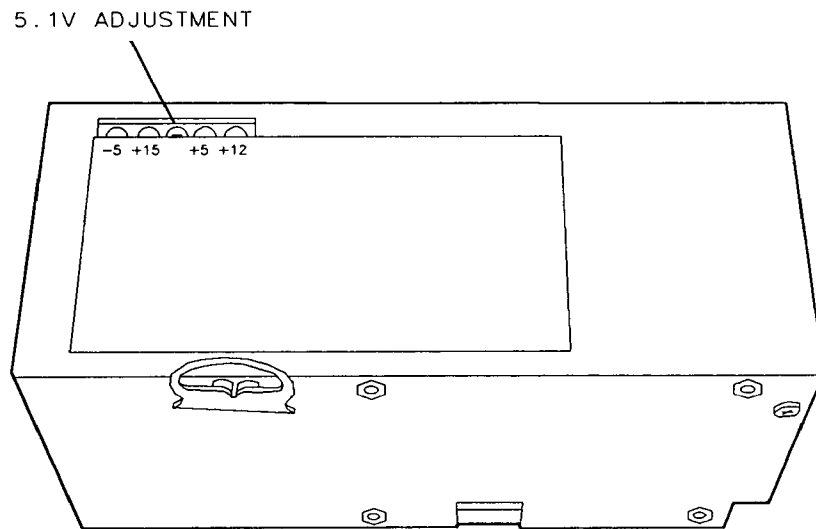


Figure 2-2. Power Supply Adjustment Location

4. The +15 V, -15 V, +12 V power supplies may be checked for proper operation. Refer to Table 2-5.

Table 2-5. Power Supply Tolerances

| Power Supply | Test Point | Specification |
|--|------------|----------------------|
| +5.1 V | A16TP403 | +5.1 V \pm 0.05 V |
| +12.0 V* | A16TP404 | +12.0 V \pm 0.60 V |
| +15.0 V* | A16TP401 | +15.0 V \pm 0.30 V |
| -15.0 V* | A16TP402 | -15.0 V \pm 0.75 V |
| * These power supplies cannot be adjusted. | | |

2. Display

Description

The horizontal and vertical display positions are adjusted using **CRT HORZ POSITION** and **CRT VERT POSITION**. These positions are then stored in nonvolatile memory.

There are two focus adjustments, fine and coarse. The fine adjustment is located on the left side of the display assembly and can be accessed with the instrument cover on or off. The coarse adjustment is located on the rear of the display assembly and can only be adjusted with the instrument cover off.

Adjustment Procedure

Display Position

1. Press the following analyzer keys to adjust the horizontal position:

PRESET
CAL MORE 1 of 3
CRT HORZ POSITION

2. Rotate the knob until the display is centered horizontally.
3. Press the following analyzer softkey to adjust the vertical position: **CRT VERT POSITION**
4. Rotate the knob until the display is centered vertically.
5. Press the following analyzer keys to store the horizontal and vertical position values into nonvolatile analyzer memory:

CAL
CAL STORE

Fine Focus Adjustment

6. Adjust the front panel **INTENSITY** control for a comfortable viewing intensity.
7. Use an adjustment tool to access the fine focus adjustment. See Figure 2-3. Adjust as necessary for a focused display. If one of the end-stops of the fine focus adjustment is reached, proceed with the "Coarse Focus Adjustment" section.

2. Display

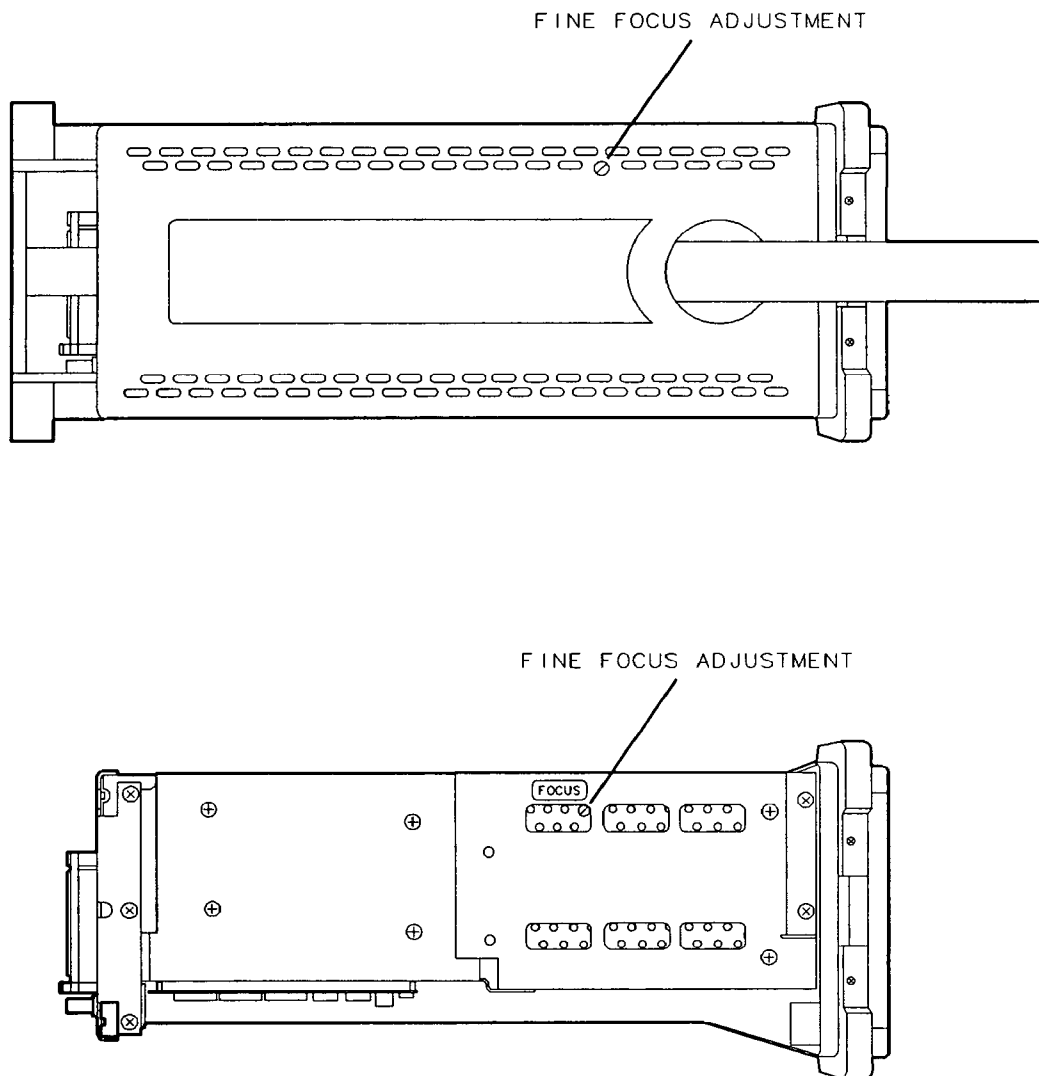


Figure 2-3. Fine Focus Adjustment Location

Coarse Focus Adjustment

8. Turn the analyzer **LINE** switch to OFF. Remove the instrument cover assembly. Refer to the “Instrument Cover” removal procedure in Chapter 3.
9. Turn the analyzer **LINE** switch to ON.
10. Center the fine focus adjustment. Refer to Figure 2-3 for the adjustment location.
11. Adjust the coarse focus adjustment for the best possible focus.

Note

There are two ways to access the coarse focus adjustment without removing the display. Both may require a concentrated light source, such as a flashlight.

1. Bend an adjustment tool at a 90° angle. Looking at the top of the spectrum analyzer, locate the coarse focus adjustment through the back access hole of the display assembly. Refer to Figure 2-4 and Figure 2-5. Engage the adjustment tool and rotate the adjustment in small increments until the desired focus is obtained.
 2. Using a thin, narrow, insulated adjustment tool, approach the adjustment at a 90° angle through the oval access hole on the top of the display assembly. See Figure 2-4.
-

2. Display

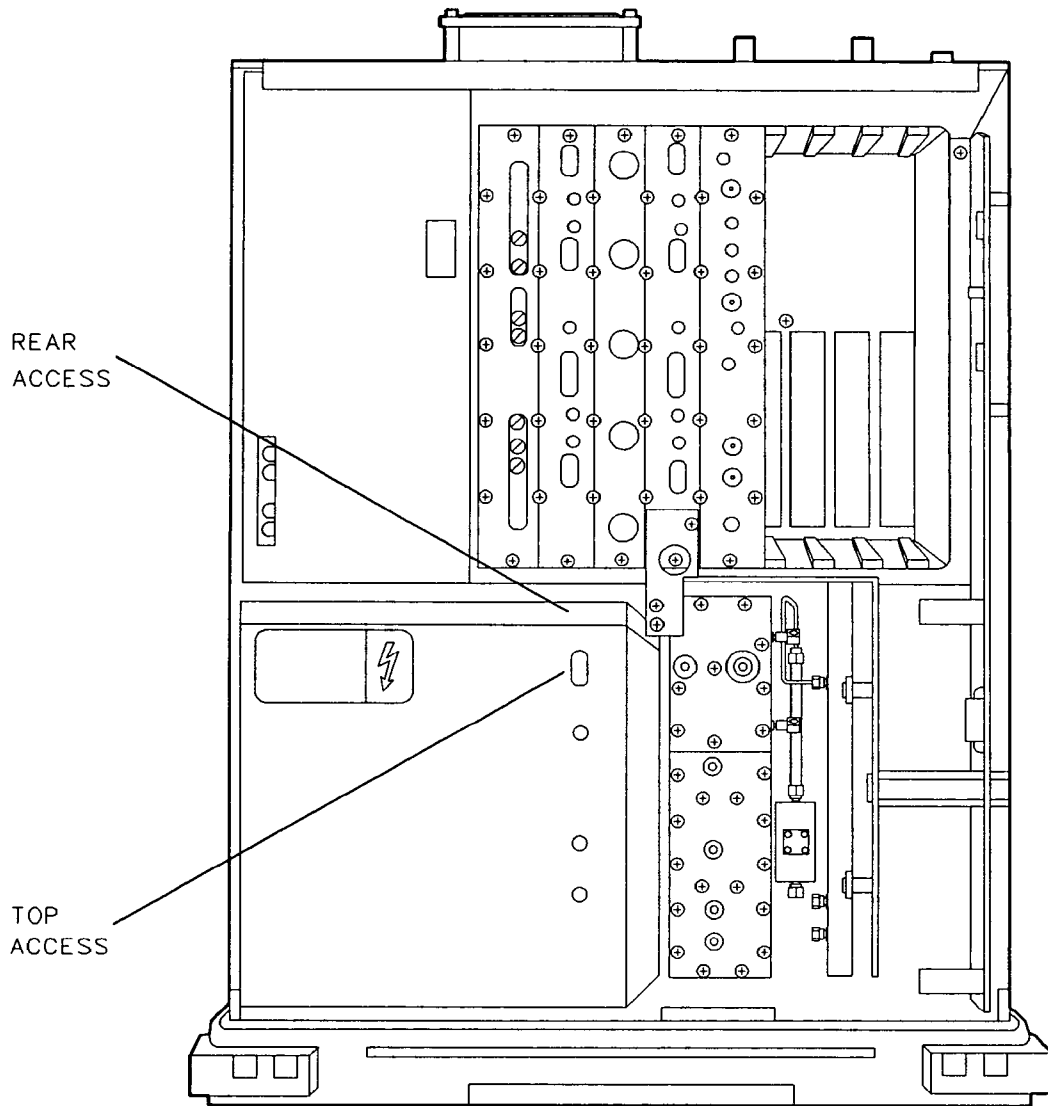


Figure 2-4. Coarse Focus Adjustment Location

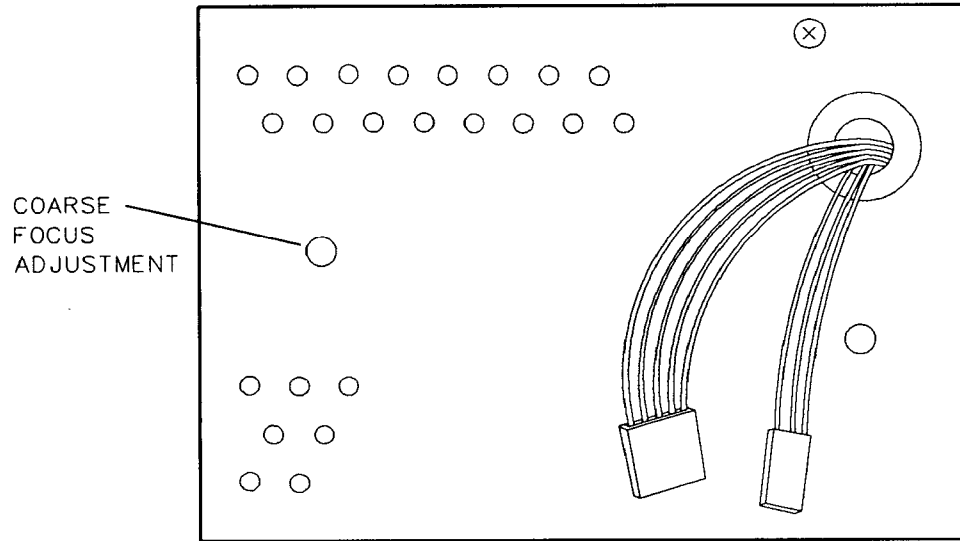


Figure 2-5. Coarse Focus Adjustment Location (Rear View of Display Assembly)

3. Sampler Match

Description

The match between the sampling oscillator and the sampler is optimized by first setting the sampling oscillator frequency for midrange, then adjusting the Sampler Match Adjustment for maximum dc volts as read on a digital multimeter.

Equipment

Test Equipment

| | |
|--------------------------|-----------|
| Digital Multimeter | HP 3456A |
| DMM Test Leads | HP 34118A |

Adjustment Procedure

1. Turn the analyzer **LINE** switch to OFF. Remove the instrument cover assembly. Refer to the "Instrument Cover Removal" procedure in Chapter 3.
2. Turn the analyzer **LINE** switch to ON.
3. Set the center frequency of the analyzer to 194 MHz. This forces the sampling oscillator to 288 MHz which is approximately the center of its range.
4. Connect the DMM from chassis ground to A25TP1. Refer to Figure 2-6.
5. Adjust A25C107 for maximum voltage as read on the DMM. This voltage must be between $+1.5\text{ V} \pm 1.0\text{ V}$.
6. Measure the voltage at A26TP2. It should be $-1.5\text{V} \pm 1.0\text{V}$. If it is not, readjust A25C107 until a compromise is established between the two test points, such that the voltage specifications of steps 5 and 6 are met. The absolute value of the final voltages in steps 5 and 6 should not be greater than 0.75 V.

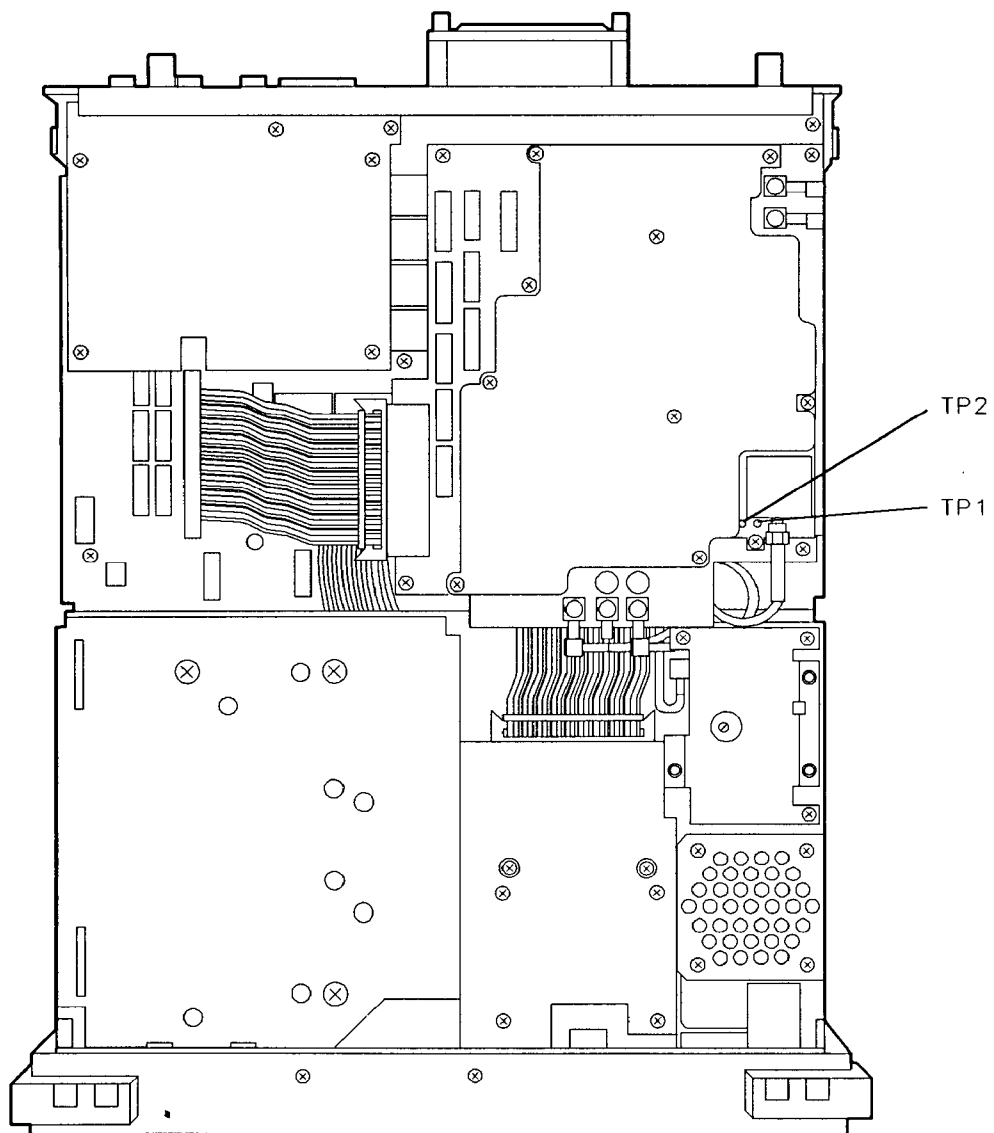


Figure 2-6. A25 Counter Lock Assembly Test Points

4. 10 MHz Reference (Standard)

Description

The internal 10 MHz time base is adjusted for frequency accuracy.

This procedure does not adjust for long-term drift or aging rate.

Only short-term accuracy is adjusted.

A frequency counter is connected to the CAL OUT, which is locked to the 10 MHz reference. This yields better effective resolution.

The time base is adjusted for a frequency of 300 MHz as read by the frequency counter.

Equipment

Test Equipment

| | |
|-----------------------------------|----------|
| Microwave Frequency Counter | HP 5343A |
| Frequency Standard | HP 5061A |

Adjustment Procedure

1. Connect the equipment as shown in Figure 2-7.

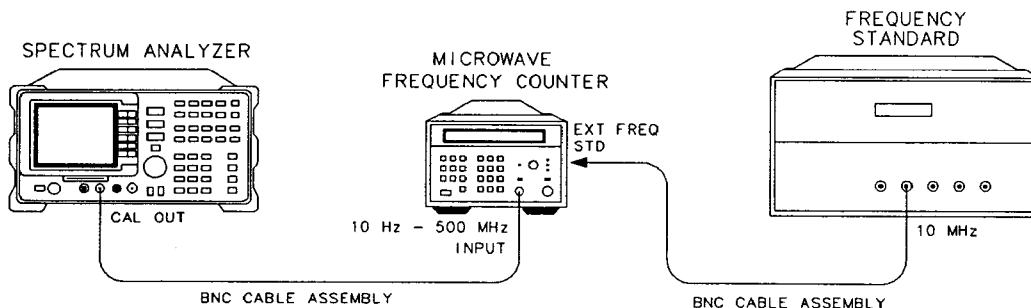


Figure 2-7. 10 MHz Reference Adjustment Setup

Note



To properly adjust the time base, a frequency standard with a better time base accuracy than that of the spectrum analyzer is required.

2. Set the HP 5343A controls as follows:

| | |
|------------------------------------|---------------|
| 50Ω/1 MΩ | 50Ω Impedance |
| 10 Hz-500 MHz/500 MHz-18 GHz | 10 Hz-500 MHz |
| SAMPLE RATE | Midrange |
| FREQUENCY STANDARD | EXTERNAL |

4. 10 MHz Reference (Standard)

3. Press the following spectrum analyzer keys:

FREQUENCY -2001 **MHz**

CAL **MORE 1 of 3** **MORE 2 of 3** **SERVICE CAL** **CAL TIMEBASE**

(ENTER)

MHz → Hz 1: 33 = 30

4. A number will be displayed in the active function block of the spectrum analyzer display. This is the setting of the DAC (0 to 255) which controls the frequency of the internal time base. Use the knob or keyboard to change the DAC setting until the frequency counter reads 300 MHz \pm 75 Hz (\pm 0.25 ppm).
5. Once the time base has been adjusted for minimum sideways movement press **CAL** **CAL STORE**. The new DAC number is now stored in nonvolatile memory.

5. 10 MHz Reference (Option 004)

Note



Replacement oscillators are factory adjusted after a complete warmup and after the specified aging rate has been achieved. Readjustment should not be necessary after oscillator replacement, and is not recommended.

Description

The frequency of the internal 10 MHz frequency reference is compared to a known frequency standard and adjusted for minimum frequency error. This procedure does not adjust the short-term stability or long-term stability of the 10 MHz Ovenized Crystal Oscillator (OCXO), which are determined by characteristics of the particular oscillator and the environmental and warmup conditions to which it has been recently exposed. The spectrum analyzer must be ON continuously for at least 24 hours immediately prior to oscillator adjustment to allow both the temperature and frequency of the oscillator to stabilize.

Equipment

Test Equipment

| | |
|--------------------|---|
| Frequency Standard | any 10 MHz frequency standard with the accuracy of $\pm 10^{-10}$, such as the HP 5061B Cesium Beam Standard |
| Frequency Counter | HP 5334A/B |

Cable

| | |
|--|-----------------|
| BNC cable, 122 cm (48 in) (2 required) | HP 10503A |
|--|-----------------|

Adjustment Procedure

Note



The spectrum analyzer must be ON continuously for at least 24 hours immediately prior to oscillator adjustment to allow both the temperature and frequency of the oscillator to stabilize. Failure to allow sufficient stabilization time could result in oscillator misadjustment.

1. Place the analyzer on its side as shown in Figure 2-8 and set the **LINE** switch of the spectrum analyzer to ON.
2. Allow the spectrum analyzer to remain powered ON and undisturbed for at least 24 hours, so that both the temperature and frequency of the OCXO can stabilize.
3. Connect the frequency standard to the frequency counter rear-panel TIMEBASE IN/OUT connector. Refer to Figure 2-8.
4. Disconnect the jumper between the 10 MHz REF OUTPUT and EXT REF IN jacks on the spectrum analyzer rear panel. Connect a BNC cable between the 10 MHz REF OUTPUT jack and INPUT A on the frequency counter.

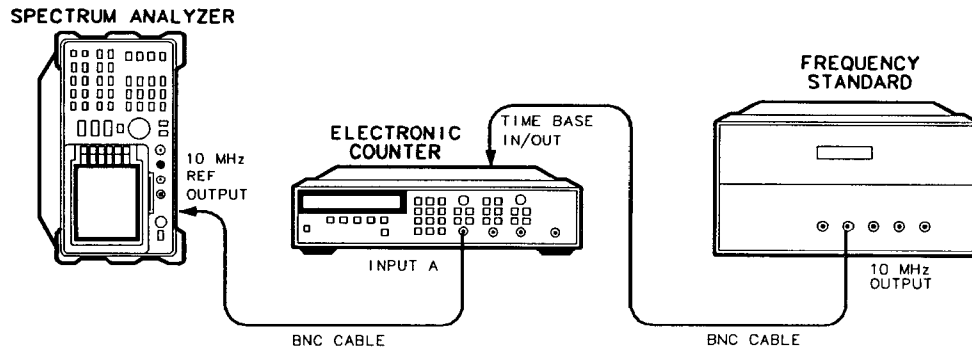


Figure 2-8. Precision Frequency Reference Setup

5. Set the frequency counter controls as follows:

FUNCTION/DATA FREQ A
 INPUT A:
 x10 ATTN OFF
 AC OFF (DC coupled)
 50Ω Z OFF (1 MΩ input impedance)
 AUTO TRIG ON
 100 kHz FILTER A OFF
 INT/EXT switch (rear panel) EXT

6. On the frequency counter,

Select a 1 second gate time by pressing:

GATE TIME 1 **GATE TIME**.

Offset the displayed frequency by -10.0 MHz by pressing:

MATH **SELECT/ENTER** **CHS/EEX** 10 **CHS/EEX** 6 **SELECT/ENTER** **SELECT/ENTER**.

The frequency counter should now display the difference between the frequency of the INPUT A signal and 10.0 MHz with a displayed resolution of 10 MHz (0.010 Hz).

7. Locate the FREQ ADJ control. See Figure 2-9. Remove the dust cap screw.

8. Use a nonconductive adjustment tool to adjust the FREQ ADJ control on the OCXO for a frequency counter indication of 0.00 Hz.

9. On the frequency counter, select a 10 second gate time by pressing **GATE TIME** 10 **GATE TIME**. The frequency counter should now display the difference between the frequency of the INPUT A signal and 10.0 MHz with a resolution of 0.001 Hz (1 MHz).

10. Wait at least 2 gate periods for the frequency counter to settle, and then adjust the FREQ ADJ control on the OCXO for a stable frequency counter indication of 0.000 ±0.010 Hz.

11. Replace the dust cap screw on the OCXO.

5. 10 MHz Reference (Option 004)

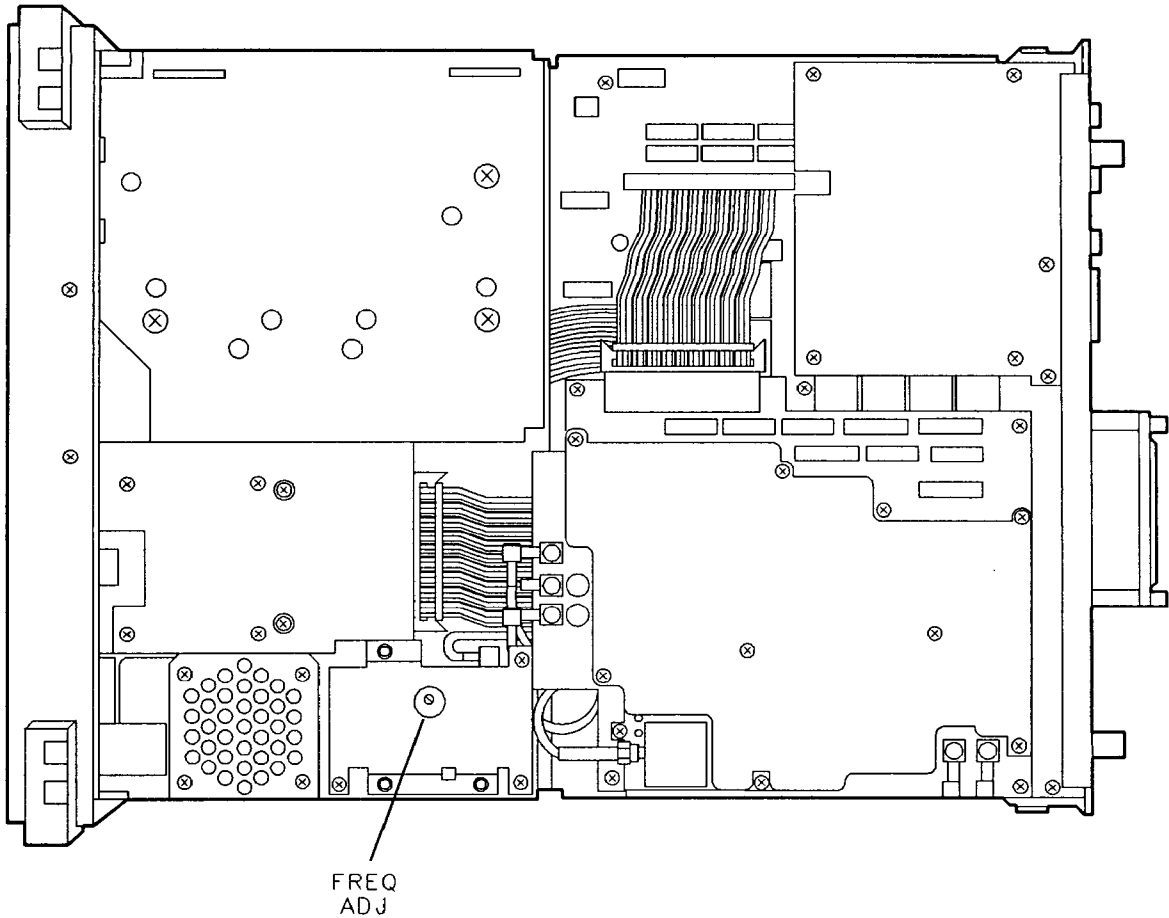


Figure 2-9. Oven Reference Adjustment Location

6. Crystal and LC Bandwidth Filter

Description

The crystal and LC bandwidth filter circuits are adjusted for symmetry, center frequency, and peak amplitude.

First, correction constants are turned off. This allows for uncorrected 3 dB resolution bandwidth centering and amplitude adjustments.

New corrections are then generated by running the CAL FREQ and CAL AMPTD adjustment routines.

Equipment

Test Equipment

Crystal Shorts (set of 3) HP 5062-4855

Cable

BNC Cable, 23 cm (9 in) HP 10503A

Additional Equipment for Option 001

BNC Cable, 30 cm (12 in), 75 Ω HP 5062-6452

Adjustment Procedure

1. Turn the analyzer **LINE** switch to OFF. Remove the instrument cover assembly. Refer to the "Instrument Cover" removal procedure in Chapter 3.
2. Turn the analyzer **LINE** switch to ON.
3. Press the following analyzer keys:

PRESET **CAL** **MORE 1 of 3**
CORRECT ON OFF (OFF)

Crystal Alignment

4. Connect the CAL OUT to the INPUT 50 Ω (*Option 001*: INPUT 75 Ω) with the CAL cable.

6. Crystal and LC Bandwidth Filter

5. Press the following analyzer keys:

FREQUENCY 300 **MHz**
SPAN 10 **MHz**
PEAK SEARCH
SIGNAL TRACK (ON)
SPAN 200 **kHz**
(Option 001: **AMPLITUDE** MORE 1 of 2 **AMPTD UNITS** **dBm**)
AMPLITUDE 30 **-dBm**
SCALE LOG **LIN** (LIN)
MORE 1 of 2 **AMPTD UNITS** **dBm**
BW 3 **kHz**

6. Press **AMPLITUDE**, then use the knob to place the signal at the sixth graticule line from the bottom.

7. Press the following analyzer keys:

SIGNAL TRACK (OFF)
BW 30 **kHz**

Caution



Shorting the crystal test points to ground may permanently damage the bandwidth board assembly. If you make your own shorts it is advisable to insulate the bare wires and connectors.

8. Connect the crystal shorts (through the access holes on the cover) across the following pairs of test points:

A13TP1 and A13TP2
A11TP1 and A11TP2
A11TP4 and A11TP5

9. Adjust A13C54 CTR for minimum signal amplitude. Then adjust A13C38 SYM and A13C54 CTR for a centered and symmetrical bandpass response as shown in Figure 2-10.

6. Crystal and LC Bandwidth Filter

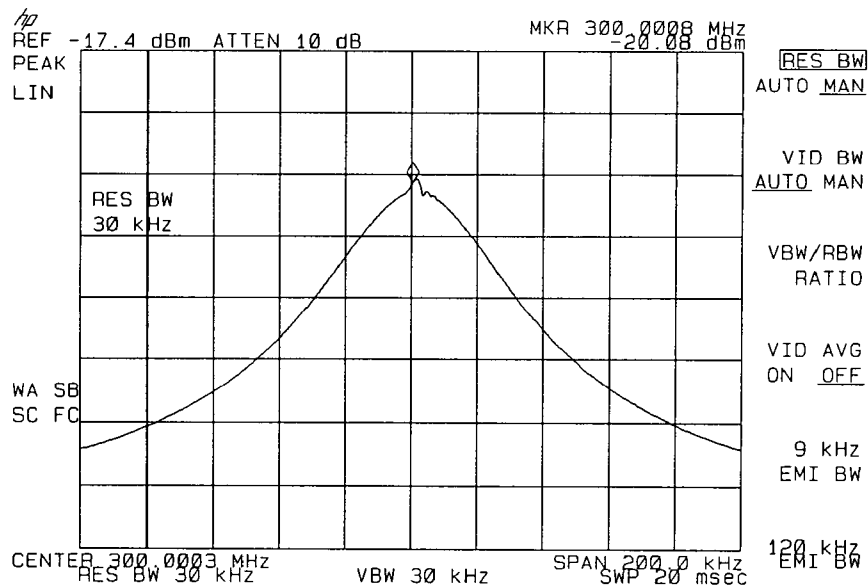


Figure 2-10. Crystal Symmetry and Centering

10. Remove the crystal short from A13TP1 and A13TP2 and connect it across A13TP4 and A13TP5.
11. Adjust A13C25 CTR for minimum signal amplitude. Then adjust A13C15 SYM and A13C25 CTR for a centered and symmetrical bandpass response.
12. Remove the crystal short from A11TP4 and A11TP5. Connect the short across A13TP1 and A13TP2.
13. Adjust A11C54 CTR for minimum signal amplitude. Then adjust A11C38 SYM and A11C54 CTR for a centered and symmetrical bandpass response.
14. Remove the crystal short from A11TP1 and A11TP2. Connect the short across A11TP4 and A11TP5.
15. Adjust A11C25 CTR for minimum signal amplitude. Then adjust A11C15 SYM and A11C25 CTR for a centered and symmetrical bandpass response.
16. Remove the crystal shorts and press the following analyzer keys:

```

PEAK SEARCH
SIGNAL TRACK (ON)
SPAN 50 kHz
SIGNAL TRACK (OFF)
BW 3 kHz
PEAK SEARCH MARKER DELTA
BW 30 kHz
PEAK SEARCH
    
```

6. Crystal and LC Bandwidth Filter

17. Verify that the MARKER Δ frequency does not exceed 3 kHz. If the signal shift is out of tolerance, repeat steps 4 through 17.
18. Press the following analyzer keys:

MKR

MARKERS OFF

LC Alignment Procedure

19. To access the LC dip capacitors C73 and C74, remove the covers from the A11 and A13 assemblies. See Figure 2-11.
20. Press the following analyzer keys:

BW 100 **kHz**

SPAN 5 **MHz**

21. Short A11TP3, A11TP6, and A13TP3 to ground to widen all but one of the LC filter poles.

Caution

Use a tool with a nonmetallic body to make the LC dip adjustment.



Shorting components to ground may result in permanent damage to the bandwidth board assembly.

22. Center the signal on the spectrum analyzer display by pressing **PEAK SEARCH** and **SIGNAL TRACK** (ON). Then adjust A13C47 LC dip for a minimum signal amplitude.
23. Move the short from A13TP3 to A13TP6 and adjust A13C17 LC dip for a minimum signal amplitude.
24. Move the short from A11TP3 to A13TP3 and adjust A11C17 LC dip for a minimum signal amplitude.
25. Move the short from A11TP6 to A11TP3 and adjust A11C47 LC dip for a minimum signal amplitude.

6. Crystal and LC Bandwidth Filter

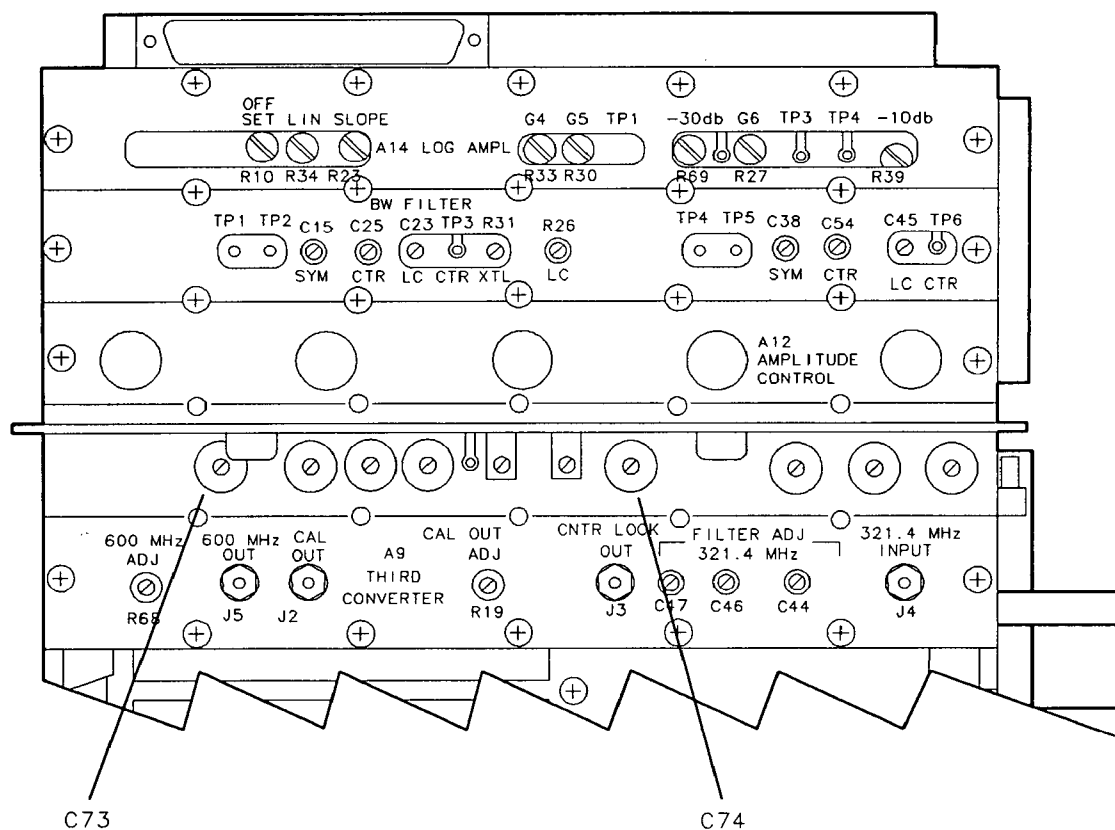


Figure 2-11. LC Dip Location

LC Centering Adjustment

- Reinstall the covers on the A11 and A13 assemblies. Short A11TP3, A13TP6, and A13TP3 to ground. Press the following analyzer keys:

(OFF)

Note



The center frequency of the 100 kHz bandwidth is referenced to the 30 kHz bandwidth. During this procedure it is advisable to switch to the 30 kHz bandwidth occasionally and recenter it using .

- Adjust A11C45 LC CTR for maximum signal at center-screen.
- Move the short from A11TP3 to A11TP6 and adjust A11C23 LC CTR for maximum signal at center-screen.
- Move the short from A13TP6 to A11TP3 and adjust A13C45 LC CTR for maximum signal at center-screen.

6. Crystal and LC Bandwidth Filter

30. Move the short from A13TP3 to A13TP6 and adjust A13C23 LC CTR for maximum signal at center-screen.
31. Disconnect all the shorts from A11 and A13 bandwidth board assemblies.

LC Amplitude Adjustment

32. Press the following analyzer keys:

BW 3 **MHz**
SPAN 2 **MHz**

33. Press **AMPLITUDE** and adjust the signal level one division down from the top graticule using the knob.
34. Press the following analyzer keys:

PEAK SEARCH
MARKER DELTA **MARKER DELTA**
SIGNAL TRACK (ON)
BW 100 **kHz**

35. Adjust A11R26 LC and A13R26 LC equally for a **MARKER Δ** amplitude of 0 dB.

Note



Each potentiometer should be adjusted to accomplish one-half of the necessary increase in signal amplitude. If A11R26 or A13R26 reaches its limit, recenter both potentiometers and repeat steps 32 through 35.

Final LC Centering Adjustment

36. Press the following analyzer keys:

BW 30 **kHz**
SPAN 100 **kHz**
PEAK SEARCH **MARKER ▶ CF**
BW 100 **kHz**

37. Make final adjustments by adjusting A11C23, A11C45, A13C23, and A13C45 in succession to peak the amplitude of the marker at center-screen.
38. Repeat steps 36 and 37 until the 30 kHz and 100 kHz bandwidths are centered in relation to each other.

39. Press the following analyzer keys:

BW 30 **kHz**
PEAK SEARCH
MARKER DELTA **MARKER DELTA**
BW 100 **kHz**
PEAK SEARCH

40. Verify that the MARKER Δ frequency does not exceed 10 kHz.
 If the signal shift is out of tolerance, repeat steps 26 through 39.

Crystal Amplitude Adjustment

41. Press the following analyzer keys:

BW 30 **kHz**
SPAN 10 **kHz**
PEAK SEARCH
MARKER DELTA **MARKER DELTA**
SIGNAL TRACK (ON)
BW 1 **kHz**

42. Adjust A11R31 XTL and A13R31 XTL equally for a MARKER Δ amplitude reading of 0 dB.

Note



Each potentiometer should be adjusted to accomplish one-half of the necessary increase in signal amplitude. If A11R31 or A13R31 reaches its limit, recenter both potentiometers and repeat steps 41 and 42.

Final BW Amplitude Check

43. Run the "CAL FREQ Adjustment Routine" and the "CAL AMPTD Adjustment Routine".

44. Remember to press **CAL STORE** after the completion of the routines to store data in nonvolatile memory.

45. Press the following analyzer keys to verify that the bandwidth amplitude corrections are within specifications:

CAL **MORE 1 of 3** **MORE 2 of 3**
SERVICE DIAG
DISPLAY CAL DATA

46. Refer to the BW-AMP column of the analyzer display to locate the XTAL and LC bandwidth amplitude-correction numbers of the analyzer. All LC and XTAL bandwidth readings should be between -0.8 dB to +0.5 dB. Refer to Figure 2-12 for an example of the analyzer display. Table 2-6 shows the XTAL and LC bandwidth amplitude-correction numbers, using the readings of Figure 2-12 as an example.

6. Crystal and LC Bandwidth Filter

| MISC-FREQ | RL-VENR | ERR | BW-AMP | LC-XTAL | SGAIN | RFATN | CAL FREQ & AMPTD |
|-------------|---------|-------|--------|---------|-------|-------------|---------------------|
| 300000000 | 200 | -0.08 | 0.00 | 0 | 255 | 0.06 | 0.07 |
| 126659000 | 200 | -0.06 | 0.00 | 0 | 255 | 0.00 | 0.00 |
| 54820328 | 200 | 0.10 | 0.00 | 0 | 255 | 0.34 | 0.11 |
| 21641733 | 200 | 0.03 | 0.00 | 0 | 255 | 0.27 | 0.07 |
| 0.000203847 | 200 | 0.07 | 0.00 | 0 | 130 | 0.41 | 0.12 |
| 0.000001009 | 161 | 0.18 | 0.46 | 0 | 255 | 0.33 | 0.01 |
| 1079753938 | 161 | 0.18 | 0.06 | 0 | 221 | 0.31 | 0.15 |
| 2 | 161 | 0.18 | -0.02 | 0 | 165 | 0.24 | 0.16 |
| 0 | 161 | 0.18 | 0.00 | 0 | 102 | 0.19 | |
| 0 | 161 | 0.18 | 0.00 | 0 | 32 | 0.20 | |
| 0.059218585 | 200 | 0.00 | -0.27 | 47 | 255 | 1.785329103 | |
| 0 | 200 | 0.00 | -0.40 | 103 | 255 | 1.812912941 | |
| -9 | 200 | 0.00 | -0.43 | 166 | 255 | 1.869230986 | CAL STORE |
| 1 | 200 | 0.00 | -0.47 | 225 | 255 | 1.602058887 | |
| 1 | 200 | 0.00 | -0.54 | 240 | 255 | 1.681241035 | |
| 65 | 200 | 0.00 | -0.17 | 35 | 255 | 1.924278021 | |

MORE
1 OF 3

Figure 2-12. Displayed Calibration Data

Table 2-6. Bandwidth Amplitude-Correction Map

| Resolution Bandwidths | BW-AMP Correction Numbers |
|--------------------------|------------------------------|
| not used | 0.00 |
| not used | 0.00 |
| not used | 0.00 |
| not used | 0.00 |
| XTAL: | |
| 9 kHz | 0.00 |
| 300 Hz | 0.46 |
| 1 kHz | 0.06 |
| 3 kHz | -0.02 |
| 10 kHz | 0.00 |
| 30 kHz | 0.00 |
| LC: | |
| 100 kHz | -0.27 |
| 300 kHz | -0.40 |
| 1 MHz | -0.43 |
| 3 MHz | -0.47 |
| 5 MHz | -0.54 |
| 120 kHz | -0.17 |

6. Crystal and LC Bandwidth Filter

47. If the difference between the bandwidth amplitude-correction numbers of the 30 kHz XTAL and 3 MHz LC is greater than 0.8 dB, pad A11R8 or A13R8 and repeat the Final BW Amplitude Check. Refer to Component Level Information Package for the location of A11R8 and A13R8.

Note

If the 30 kHz XTAL bandwidth amplitude correction is greater than the 3 MHz LC bandwidth correction, increase the value of A11R8 or A13R8.

If the 3 MHz LC bandwidth amplitude correction is greater than the 30 kHz XTAL bandwidth correction, decrease the value of A11R8 or A13R8.

48. If just the 100 kHz LC amplitude is out of range, repeat steps 23 through 38 and steps 43 through 46.
49. If the 1 kHz XTAL amplitude is out of the above range, repeat steps 41 through 46.

7. Cal Attenuator Error Correction

Description

The A12 Amplitude Control assembly has one 10 dB and two 20 dB nonadjustable amplifiers. It also has 1 dB, 2 dB, 4 dB, 8 dB, and 16 dB attenuators which are correctable. The 16 dB step is not used at this time.

The attenuator error correction procedure involves disabling the attenuator correction constants, determining the attenuator step errors, and entering the new correction constants into the analyzer memory.

Note



The accuracy of the amplitude control attenuator is critical to the proper calibration of the instrument; therefore, this procedure must be carefully and accurately performed.

Equipment

Test Equipment

Synthesizer/Level Generator HP 3335A

Cable

BNC cable, 120 cm (48 in) HP 10503A

Adapter

Adapter, Type N (m) to BNC (f) HP 1250-1476

Additional Equipment for Option 001

BNC Cable, 120 cm (48 in) 75 Ω HP 5062-6452

Adjustment Procedure

1. Turn the analyzer **LINE** switch to OFF. Remove the instrument cover assembly. Refer to the "Instrument Cover" removal procedure in Chapter 3.
2. Turn the analyzer **LINE** switch to ON.
3. Connect the 50 Ω output of the HP 3335A to the analyzer INPUT 50 Ω . See Figure 2-13.

(*Option 001:* Perform this procedure using the 75 Ω output of the HP 3335A and a 75 Ω BNC cable from HP 3335A to the analyzer INPUT 75 Ω .) See Figure 2-13.

7. Cal Attenuator Error Correction

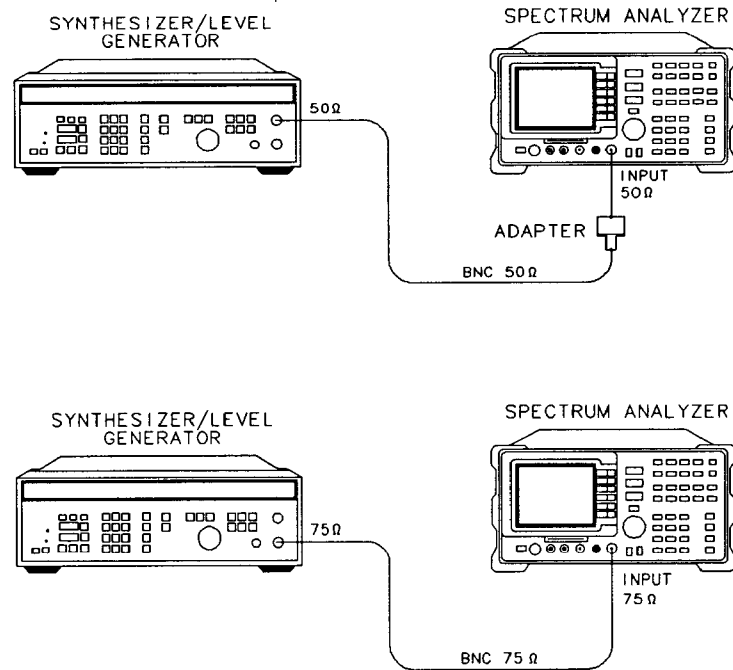


Figure 2-13. Cal Attenuator Error Correction Setup

4. Set the frequency of the HP 3335A to 25 MHz and the output to -19 dBm.
5. To turn the amplitude attenuator correction constants off, press the following analyzer keys:

```

PRESET
CAL MORE 1 of 3
CORRECT ON OFF (OFF)
  
```

1 dB Step Check

6. To measure the 1 dB step correction press the following analyzer keys:

```

FREQUENCY 25 MHz
SPAN 10 MHz
(Option 001: Press AMPLITUDE MORE 1 of 2 AMPTD UNITS dBm)
AMPLITUDE 18 -dBm
SCALE LOG LIN (LIN) MORE 1 of 2
AMPTD UNITS dBm
PEAK SEARCH
SIGNAL TRACK (ON)
SPAN 50 kHz
BW 3 kHz
VID BW AUTO MAN (MAN) 300 Hz
  
```

7. Cal Attenuator Error Correction

7. Press the analyzer keys:

PEAK SEARCH **MARKER DELTA**
SIGNAL TRACK (ON)

8. The MKR Δ amplitude reading should be 0.0 dB \pm 0.01 dB. If it is not, repeat step 7.

9. Press **AMPLITUDE** 17 **-dBm**.

10. Set the amplitude of the HP 3335A Synthesizer to -18 dBm.

11. Press **MKR** on the spectrum analyzer.

12. Record the MKR Δ amplitude reading in Table 2-7. This is the 1 dB attenuator step error of the A12 Amplitude Control assembly.

2 dB Step Check

13. Press the following analyzer keys:

AMPLITUDE 16 **-dBm**.

14. Set the amplitude of the HP 3335A Synthesizer to -17 dBm.

15. Press the following analyzer keys:

PEAK SEARCH
MARKER DELTA **MARKER DELTA**
SIGNAL TRACK (ON)

16. MKR Δ amplitude reading should be 0.0 \pm 0.01. If it is not, repeat step 15.

17. Press **AMPLITUDE** 14 **-dBm**.

18. Set the amplitude of the HP 3335A Synthesizer to -15 dBm.

19. Press **MKR** on the spectrum analyzer.

20. Record the MKR Δ amplitude reading in Table 2-7. This is the 2 dB attenuator step error of the A12 Amplitude Control assembly.

4 and 8 dB Step Error

21. Repeat steps 13 through 20 for attenuator steps 4 dB and 8 dB. Use Table 2-7 for synthesizer values and analyzer reference-level values.

Table 2-7. A12 Amplitude Control Assembly Attenuator Errors

| Synthesizer Settings (dBm) | | Reference Level Settings (dBm) | | Attenuator Step (dB) | Error |
|----------------------------|---------------|--------------------------------|---------------|----------------------|-------|
| Attenuator OFF | Attenuator ON | Attenuator OFF | Attenuator ON | | |
| -19 | -18 | -18 | -17 | 1 | _____ |
| -17 | -15 | -16 | -14 | 2 | _____ |
| -18 | -14 | -17 | -13 | 4 | _____ |
| -19 | -11 | -18 | -10 | 8 | _____ |

Enter Attenuator Error Correction Data

22. Press the following analyzer keys:

PRESET

(Option 001: Press **AMPLITUDE** MORE 1 of 2 AMPTD UNITS dBm)

FREQUENCY -2001 Hz

CAL MORE 1 of 3 MORE 2 of 3

SERVICE CAL SET ATTN ERROR

Note

The frequency of -2001 Hz is necessary to access the **SERVICE CAL** routines.



23. When the analyzer prompts you with the message ENTER CAL ATTN ERROR, enter the data from Table 2-7. Terminate the entry with either the **dBm** or **-dBm** key. When the analyzer prompts you to enter the 16 dB step, enter 0 dBm. At the completion of entering the 16 dB error, the analyzer will reset.

24. To confirm that the correct data is stored, access the cal attenuator corrections by pressing the following analyzer keys:

CAL MORE 1 of 3 MORE 2 of 3

SERVICE DIAG

DISPLAY CAL DATA

Note that the cal attenuator correction data are the first five corrections located in the ERR column.

8. Log and Linear Amplifier

Description

A 21.4 MHz signal is injected into an IF test board that has been inserted in place of the first resolution bandwidth assembly, A11. The gain of the A14 Log Amplifier Assembly is adjusted by observing the voltage at the AUX VIDEO OUT on the rear panel with a digital multimeter.

Equipment

Test Equipment

Synthesizer/Level Generator HP 3335A
Digital Multimeter HP 3456A
IF Test Board HP 5062-6421

Cables

BNC Cable, 120 cm (48 in) HP 10503A
BNC (f) to dual banana plug HP 1251-2277
Test Cable HP 85680-60093

Adjustment Procedure

1. Turn the analyzer **LINE** switch to OFF. Remove the instrument cover assembly. Refer to the "Instrument Cover" removal procedure in Chapter 3.
2. Remove the first IF Bandwidth Filter assembly, A11. Install the IF test board into the A11 slot. Turn the analyzer **LINE** switch to ON.
3. Set the DMM to read dc volts.
4. Press the following analyzer keys:

PRESET

CAL MORE 1 of 3

CORRECT ON OFF (OFF) MORE 2 of 3

SERVICE DIAG

STP GAIN ZERO

SPAN 0 **Hz**

BW 10 **kHz**

VID BW AUTO MAN (MAN) 300 **Hz**

AMPLITUDE 10 **-dBm**

SCALE LOG LIN (LIN)

8. Log and Linear Amplifier

5. Set the synthesizer as follows:

FREQUENCY 21.4 MHz
MANUAL TUNE ON
AMPTD INCR 0.01 dBm
AMPLITUDE -6 dBm

6. Connect equipment as shown in Figure 2-14. Connect the output of the synthesizer to J2 of the IF test board. Connect the DMM to AUX VIDEO OUT (located on the rear panel).

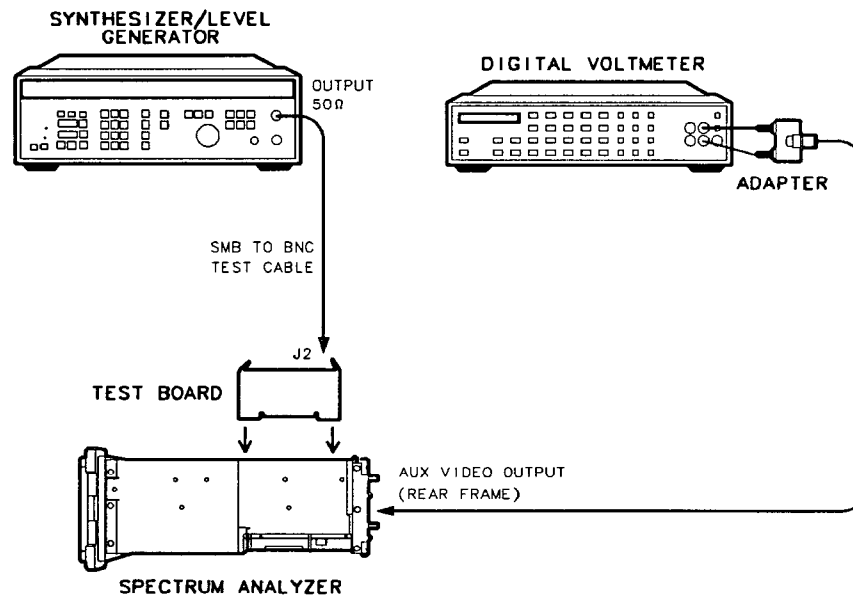


Figure 2-14. Log and Linear Amplifier Adjustment Setup

Log Fidelity Adjustment

7. Adjust the synthesizer knob for maximum signal amplitude on the display. Adjust the synthesizer amplitude as necessary to keep the signal on the display.
8. Adjust the synthesizer output level for a DMM reading of $1000 \text{ mV} \pm 1.0 \text{ mV}$. Record the synthesizer amplitude readout for later reference:
_____ dBm
9. Press AMPTD INCR 10 dB on the synthesizer.
10. Press **SCALE** (LOG) on the analyzer.
11. Set the synthesizer to the level recorded in step 8 and adjust A14R23 SLOPE (refer to Figure 2-15) for a DMM reading of $1000 \text{ mV} \pm 1 \text{ mV}$.

8. Log and Linear Amplifier

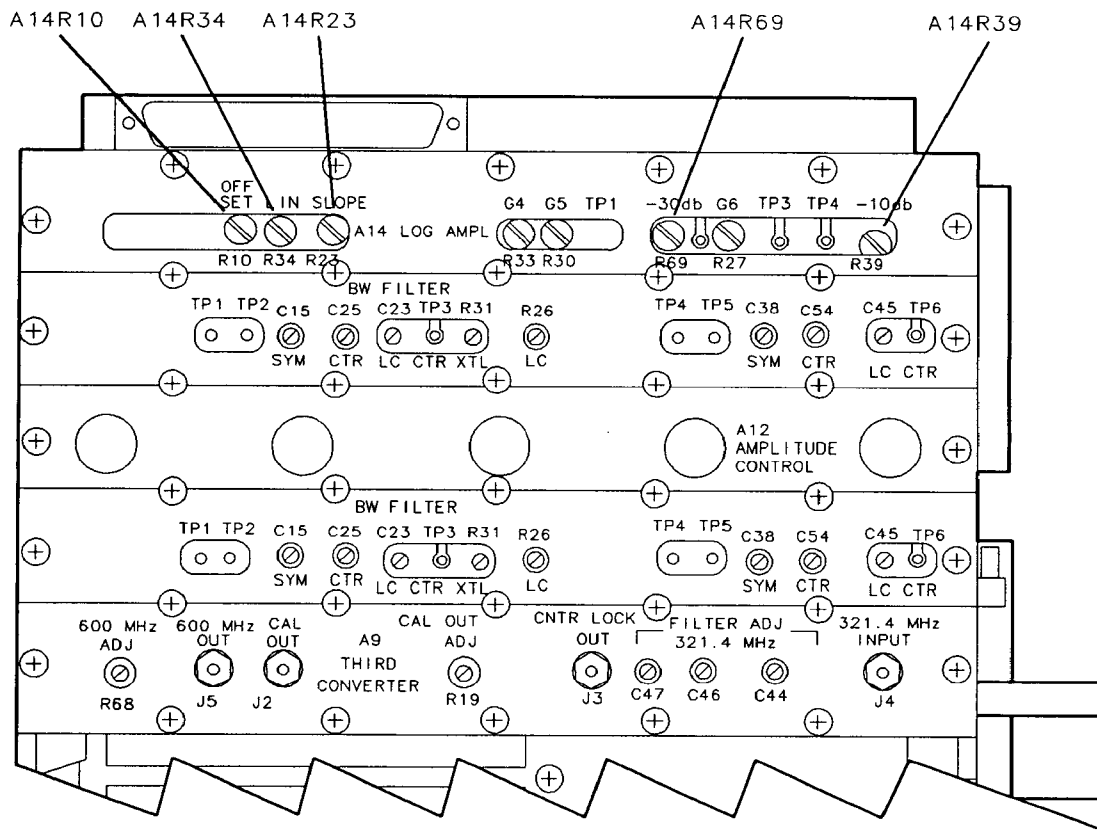


Figure 2-15. Log and Linear Amplifier Adjustment Location

12. Set the synthesizer amplitude 60 dB below that recorded in step 8 by pressing AMPLITUDE and then pressing STEP DOWN six times. Adjust A14R10 OFFSET for the DMM reading of $250 \text{ mV} \pm 1 \text{ mV}$.
13. Repeat steps 11 and 12 until no further adjustment is necessary.
14. Set the synthesizer amplitude 30 dB below that recorded in step 8 and adjust the A14R23 SLOPE for a DMM reading of $625 \text{ mV} \pm 1 \text{ mV}$.
15. Set the synthesizer amplitude to the level recorded in step 8 and adjust the A14R69 -30 dB for a DMM reading of $1000 \text{ mV} \pm 1 \text{ mV}$.
16. Repeat steps 14 and 15 until no further adjustment is necessary.
17. Set the synthesizer amplitude 10 dB below that recorded in step 8 and adjust the A14R23 SLOPE for a DMM reading of $875 \text{ mV} \pm 1 \text{ mV}$.
18. Set the synthesizer amplitude to the level recorded in step 8 and adjust the A14R39 -10 dB for a DMM reading of $1000 \text{ mV} \pm 1 \text{ mV}$.
19. Repeat steps 17 and 18 until no further adjustment is necessary.
20. Repeat steps 11 through 18 until the limits in Table 2-8 are met.

Table 2-8. Log Fidelity Check

| Synthesizer Level | DMM Reading |
|-----------------------|--------------------|
| Reference from step 8 | 1000 mV \pm 1 mV |
| Reference - 10 dB | 875 mV \pm 3 mV |
| Reference - 20 dB | 750 mV \pm 4 mV |
| Reference - 30 dB | 625 mV \pm 4 mV |
| Reference - 40 dB | 500 mV \pm 5 mV |
| Reference - 50 dB | 375 mV \pm 6 mV |
| Reference - 60 dB | 250 mV \pm 7 mV |
| Reference - 70 dB | 125 mV \pm 8 mV |

Linear Output and Step Gain Adjustments

21. Press the following analyzer keys:

AMPLITUDE 50 -dBm
 SCALE LOG LIN (LIN) MORE 1 of 2
 AMPTD UNITS dBm

22. Set the synthesizer amplitude to the level recorded in step 8 and adjust A14R34 LIN for a DMM reading of 1000 mV \pm 1 mV.

23. Make the adjustments indicated in Table 2-9.

Table 2-9. Linear Gain Check

| Adjust | Synthesizer Level | Reference Level (dBm) | DMM Reading |
|--------|-----------------------|-----------------------|---------------------|
| A14R34 | Reference from step 8 | -50 | 1000 mV \pm 1 mV |
| A14R33 | Reference - 10 dB | -60 | 1000 mV \pm 5 mV |
| A14R30 | Reference - 20 dB | -70 | 1000 mV \pm 5 mV |
| A14R27 | Reference - 30 dB | -80 | 1000 mV \pm 5 mV |
| N/A | Reference - 40 dB | -90 | 1000 mV \pm 30 mV |

9. CAL FREQ Adjustment Routine

Description

The **CAL FREQ** softkey accesses an internal self-adjustment routine. The CAL FREQ adjustment routine adjusts the analyzer to obtain frequency accuracy using CAL OUT signal. The following adjustments are automatically performed by **CAL FREQ** routine:

- Sweep time calibration.
- YTO offset and slope.
- FM coil timing constants.
- Span attenuator.
- FM detector sensitivity.

Equipment

Cable

BNC Cable, 20 cm (9 in) HP 10502A

Adapter

Adapter, Type N (m) to BNC (f) HP 1250-0780

Additional Equipment for Option 001

BNC Cable, 30 cm (12 in), 75Ω HP 5062-6452

Adjustment Procedure

1. Connect the CAL OUT to the INPUT 50Ω (*Option 001*: INPUT 75Ω) with the CAL cable. See Figure 2-16.

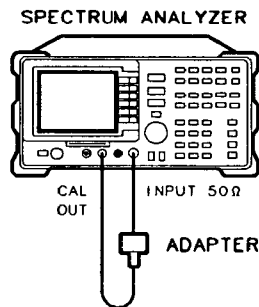


Figure 2-16. CAL FREQ Adjustment Routine Setup

2. Press the following analyzer keys:

CAL **CAL FREQ**

The **CAL FREQ** adjustment routine will take a few minutes to run.

9. CAL FREQ Adjustment Routine

The internal adjustment data will be stored in working RAM. To store this data in nonvolatile memory, press **CAL STORE**.

Note

Interrupting this routine may result in corrupt data being stored in RAM. If this occurs, rerun the **CAL FREQ** routine.

10. CAL AMPTD Adjustment Routine

Description

The **CAL AMPTD** softkey accesses an internal self-adjustment routine. The following adjustments are automatically performed by **CAL AMPTD**:

- The reference level is calibrated by adjusting the gain of the IF section.
- The 3 dB resolution bandwidths are adjusted.
- Bandwidth amplitude errors are determined. Errors are corrected with video offsets.
- Step-gain and input-attenuator errors are determined. Errors are corrected with video offsets.
- Log fidelity is checked in 1 dB steps. Errors are corrected with video offsets.
- Frequency accuracy is tested and adjusted by using frequency offsets.

Equipment

Cable

BNC Cable, 20 cm (9 in) HP 10502A

Adapter

Adapter, Type N (m) to BNC (f) HP 1250-1476

Additional Equipment for Option 001

BNC Cable, 120 cm (48 in), 75 Ω HP 5062-6452

Adjustment Procedure

Note



It is recommended to complete the “CAL FREQ Adjustment Routine” prior to running the “CAL AMPTD Adjustment Routine”.

1. Connect the CAL OUT to the INPUT 50 Ω (*Option 001*: INPUT 75 Ω) using a CAL cable. See Figure 2-17.

10. CAL AMPTD Adjustment Routine

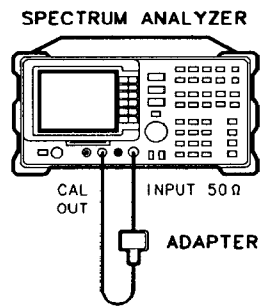


Figure 2-17. CAL AMPTD Adjustment Routine Setup

2. Press the following analyzer keys: **CAL** **CAL AMPTD**. The **CAL AMPTD** routine takes approximately 5 to 7 minutes to run. The internal adjustment data will be stored in working RAM. To store this data in nonvolatile memory, press **CAL STORE**.

11. Second Converter Alignment

Description

The RF output of the tripler is adjusted by observing a spectrum analyzer connected to the 321.4 MHz second converter output, and adjusting the slug-tuned cavity for maximum signal.

The second IF bandpass filter is adjusted for a 2.1214 GHz bandpass using the Dishal method. The second mixer match is adjusted for maximum output.

The LO is swept through the range of the 2.1214 GHz bandpass while the output is observed with a spectrum analyzer and the characteristics are evaluated.

Equipment

Test Equipment

Spectrum Analyzer HP 8566A/B
Tuning tool HP 08555-60107

Cable

Test Cable, SMB (f) to BNC (m) IIP 85680-60093

Adapters

SMB (f) to SMB (f) HP 1250-0672
SMB (m) to SMB (m) HP 1250-0669
N (m) to BNC (f) HP 1250-1476

Adjustment Procedure

Tripler Adjustment

1. Turn the analyzer **LINE** switch to OFF. Remove the instrument cover assembly. Refer to the "Instrument Cover" removal procedure in Chapter 3.
2. Turn the analyzer **LINE** switch to ON.
3. Press INSTRUMENT PRESET on the HP 8566A/B and set the controls as follows:
CENTER FREQUENCY 1.8 GHz
FREQUENCY SPAN 10 MHz
REFERENCE LEVEL -20 dBm
dB/DIV 2 dB/DIV
4. Connect the HP 8566A/B to the 2ND LO 1.8 GHz port on the A5 Second Converter using SMB adapters and the test cable. See Figure 2-18.

11. Second Converter Alignment

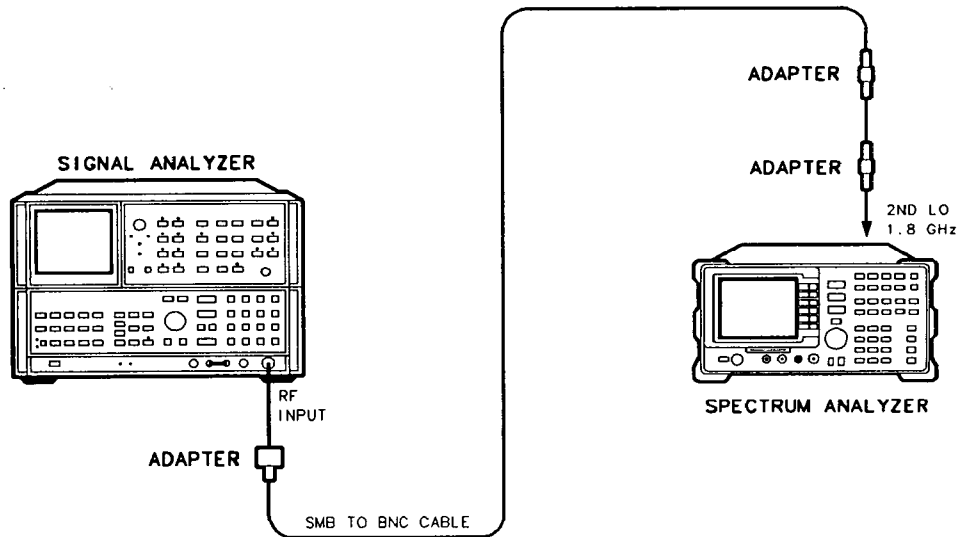


Figure 2-18. Tripler Adjustment Setup

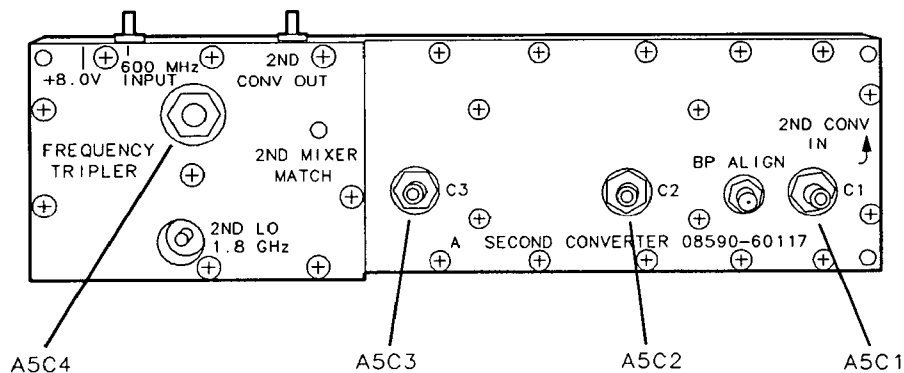


Figure 2-19. Second Converter Adjustment Location

- Use the tuning tool to adjust A5C4 FREQUENCY TRIPLER (see Figure 2-19) for maximum signal amplitude as observed on the spectrum analyzer. Readjust the reference level of the HP 8566A/B as necessary to keep the signal on screen. The 1.8 GHz signal should be -19 dBm to -24 dBm.

Note



When adjusting with the tuning tool, the signal amplitude will change as the lock nuts are tightened. Optimum signal amplitude should be maintained while tightening these lock nuts.

11. Second Converter Alignment

Second Converter Bandpass

6. Set the HP 8566A/B controls as follows:

CENTER FREQUENCY 2.1214 GHz
FREQUENCY SPAN 5 MHz
REFERENCE LEVEL -30 dBm

7. Connect the HP 8566A/B to the BP ALIGN port on the A5 Second Converter of the analyzer using the test cable. See Figure 2-20.

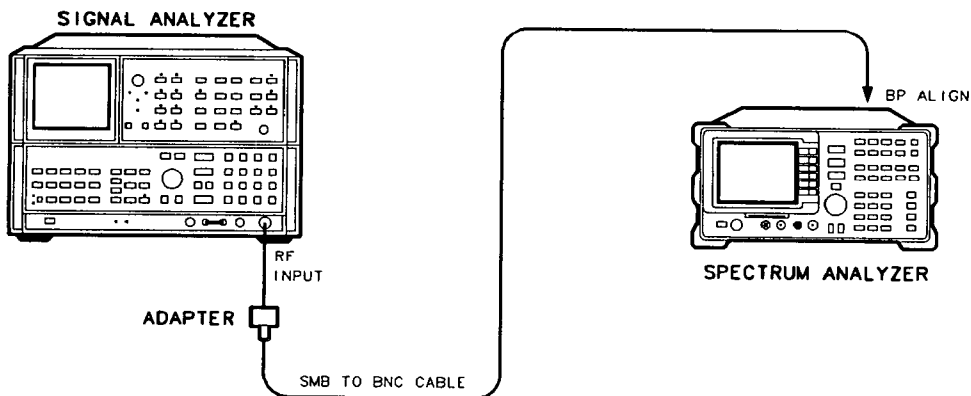


Figure 2-20. Second Converter Bandpass Adjustment Setup

8. With nothing connected to the analyzer INPUT 50 Ω (*Option 001*: INPUT 75 Ω), press the following keys:

PRESET
PEAK SEARCH
SIGNAL TRACK (ON)
SPAN 10 **MHz**

Wait for AUTO ZOOM message to disappear.

9. Set the HP 8591A as follows:
- SIGNAL TRACK** (OFF)
SPAN 0 **Hz**
10. Loosen the lock nut on A5C1, A5C2, and A5C3. Carefully turn tuning screws clockwise until they reach the bottom of the cavity. *Do not force the tuning screws down.*
11. Turn A5C1 counterclockwise for a peaked signal on the HP 8566A/B. Lightly tighten the lock nut.
12. Turn A5C2 counterclockwise for a minimum signal on the analyzer. Lightly tighten the lock nut.
13. Turn A5C3 counterclockwise for peak signal on the analyzer. Lightly tighten the lock nut.
14. Repeat steps 11 through 13 until no further improvement is noticeable. Tighten the lock nuts without changing the amplitude on the display.

Second Mixer Match

15. After removing W10, connect the HP 8566A/B to the 2ND CONV OUT port (see Figure 2-19) using the test cable. See Figure 2-21.

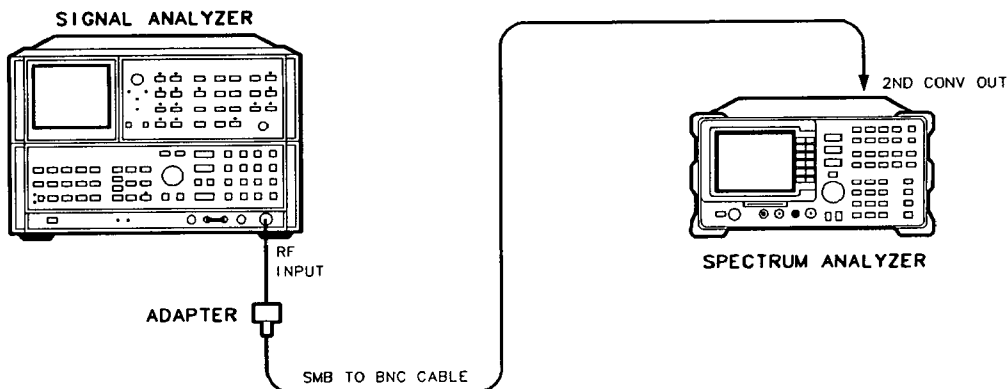


Figure 2-21. Second Mixer Match Adjustment Setup

16. Set the HP 8566A/B controls as follows:

CENTER FREQUENCY 321.4 MHz
 REFERENCE LEVEL -40 dBm
 SPAN 20 MHz
 dB/DIV 1 dB/DIV

17. Adjust A5 2ND MIXER MATCH (refer to Figure 2-19) for maximum amplitude as displayed on the HP 8566A/B. Adjust the reference level as necessary to keep the signal near top-screen.

Swept Bandpass Check

18. Set the HP 8591A spectrum analyzer controls as follows:

SPAN 20 MHz
 SWEEP 20 SEC

19. On the HP 8566A/B, press trace B and MAX HOLD. Wait for at least one complete sweep. Then press the following keys to measure the 3 dB bandwidth:

TRACE B VIEW
 A ◀ ▶ B
 PEAK SEARCH
 MARKER MODE (Δ)

20. Rotate the knob counterclockwise so that the marker delta amplitude reads -3 dB.
21. Press MARKER MODE (Δ) and rotate the knob clockwise so that the marker delta amplitude reads 0 dB and is on the right-hand side of the response. Read the marker delta frequency. It should be 15 MHz ±2.5 MHz. See Figure 2-22.

11. Second Converter Alignment

22. The maximum ripple should be less than 1 dB for a bandwidth of 6 MHz.

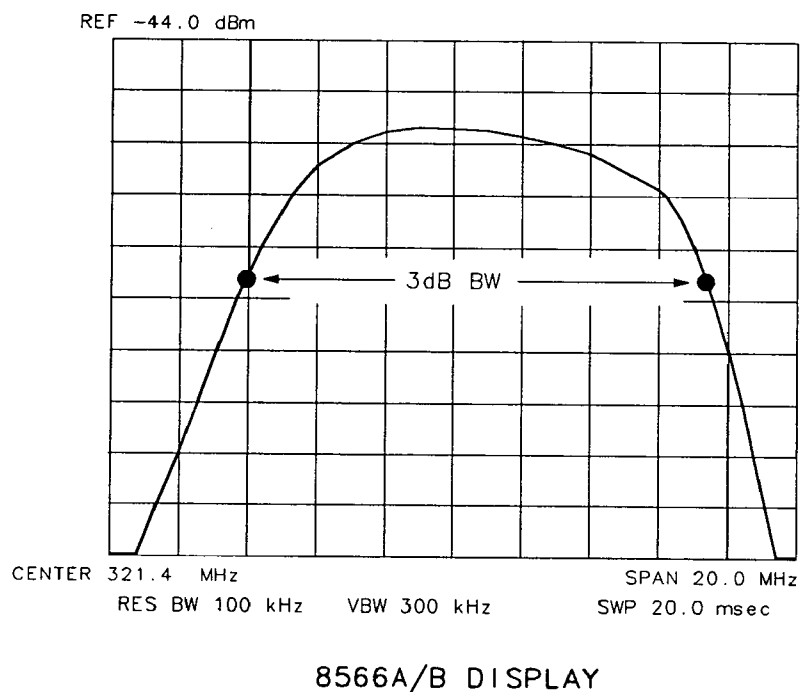


Figure 2-22. Second Converter Bandpass Ripple Measurement

12. Third Converter and Second IF Bandpass

Description

The 321.4 MHz, second IF bandpass filter is adjusted for maximum signal amplitude.

The CAL OUT amplitude is measured and adjusted for $-20 \text{ dBm} \pm 0.4 \text{ dB}$. The insertion loss of a Low Pass Filter (LPF) and 10 dB attenuator are characterized. The harmonics of the CAL OUT signal are suppressed with the LPF before the amplitude accuracy is measured using a power meter.

Equipment

Test Equipment

| | |
|--|--------------|
| Synthesized Sweeper | HP 8340A/B |
| Spectrum Analyzer | HP 8566A/B |
| Measuring Receiver (used as a power meter) | HP 8902A |
| Power Meter | HP 436A |
| Low Power Sensor with a 50 MHz reference attenuator | HP 8484A |
| Power Sensor | HP 8482A |
| Power Splitter | HP 11667A |
| 10 dB Attenuator, Type N (m to f), dc-12.4 GHz Opt 010 | HP 8491A |
| Low Pass Filter | HP 0955-0455 |
| IF Test Board | HP 5062-6421 |

Cables

| | |
|---|----------------|
| Type N, 152 cm (60 in) | HP 11500D |
| BNC Cable, 120 cm (48 in) | HP 10503A |
| Test Cable, SMB (f) to BNC (m) (2 required) | HP 85680-60093 |

Adapters

| | |
|--|--------------|
| APC 3.5(f) to Type N(f) | HP 1250-1745 |
| Type N(f) to BNC(m) (2 required) | HP 1250-1477 |
| Type N(m) to BNC(f) | HP 1250-1476 |

Additional Equipment for Option 001

| | |
|--|--------------|
| Minimum Loss Adapter | HP 11852B |
| Mechanical Adapter, 75Ω to 50Ω | HP 1250-0597 |
| Adapter, Type N(f) 75Ω to BNC(m) 75Ω | HP 1250-1534 |
| BNC Cable, 30 cm (12 in), 75Ω | HP 5062-6452 |

12. Third Converter and Second IF Bandpass

Adjustment Procedure

Second IF Bandpass Filter Adjustment

1. Press INSTRUMENT PRESET on the HP 8566A/B and set the controls as follows:

CENTER FREQUENCY 21.4 MHz
FREQUENCY SPAN 50 MHz
REFERENCE LEVEL -30 dBm
dB/DIV 1 dB/DIV

2. Set the synthesized sweeper controls as follows:

CW 321.4 MHz
POWER LEVEL -26 dBm

3. Turn the analyzer **(LINE)** switch to OFF. Remove the instrument cover assembly. Refer to the "Instrument Cover" removal procedure in Chapter 3.
4. Remove the first IF bandwidth filter assembly, A11.
5. Install the IF test board into the A11 slot.
6. Remove the W9 cable from A9J4, 321.4 MHz IF INPUT.
7. Connect the synthesized sweeper output to A9J4. Refer to Figure 2-23.

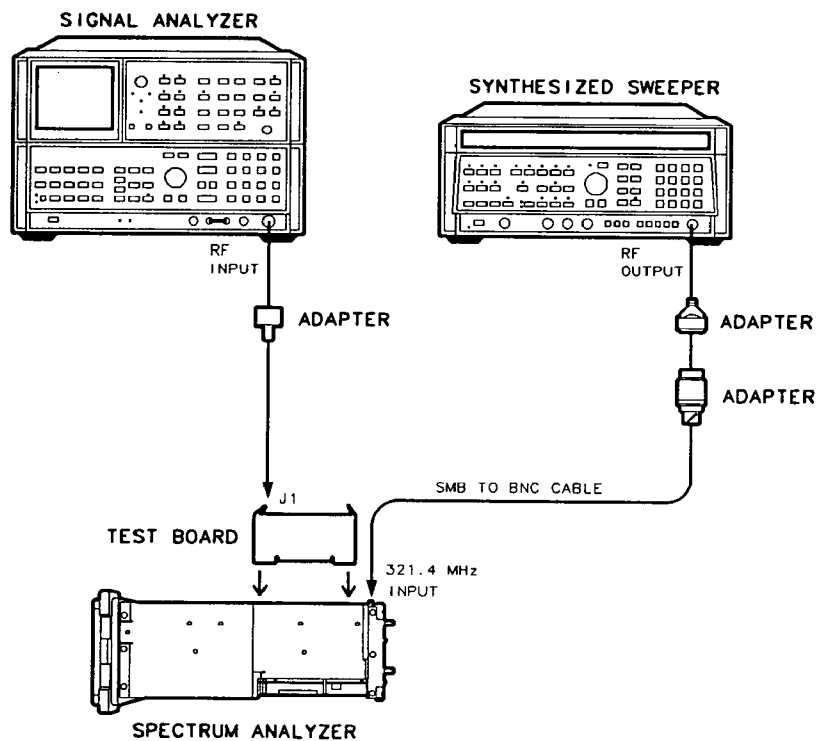


Figure 2-23. Second IF Bandpass Filter Adjustment Setup

12. Third Converter and Second IF Bandpass

8. Press the spectrum analyzer **LINE** switch to ON.

9. Press the following spectrum analyzer keys:

PRESET
SPAN 0 **Hz**

10. Connect the HP 8566A/B RF INPUT to J1 of the IF test board. Refer to Figure 2-23.
11. Adjust A9C44, A9C46, and A9C47 for maximum signal amplitude as observed on the HP 8566A/B. Adjust the reference level of the HP 8566A/B, as necessary, to display the signal below the top graticule.
12. Remove the test board from the A11 slot and install the A11 Bandwidth Filter assembly.
13. Reconnect W9 to A9J4, 321.4 MHz INPUT.

LPF, Attenuator and Adapter Insertion Loss Characterization

14. Zero and calibrate the HP 8902A and HP 8482A in LOG mode as described in the *HP 8902A Operation Manual*.

Caution



Do not attempt to calibrate the HP 8484A without the reference attenuator or damage to the HP 8484A will occur.

15. Zero and calibrate the HP 436A and HP 8484A, as described in the *HP 436A Operation Manual*.
16. Connect the equipment as shown in Figure 2-24. Connect the HP 8484A directly to the Power Splitter (bypass the LPF, Attenuator and Adapters).

12. Third Converter and Second IF Bandpass

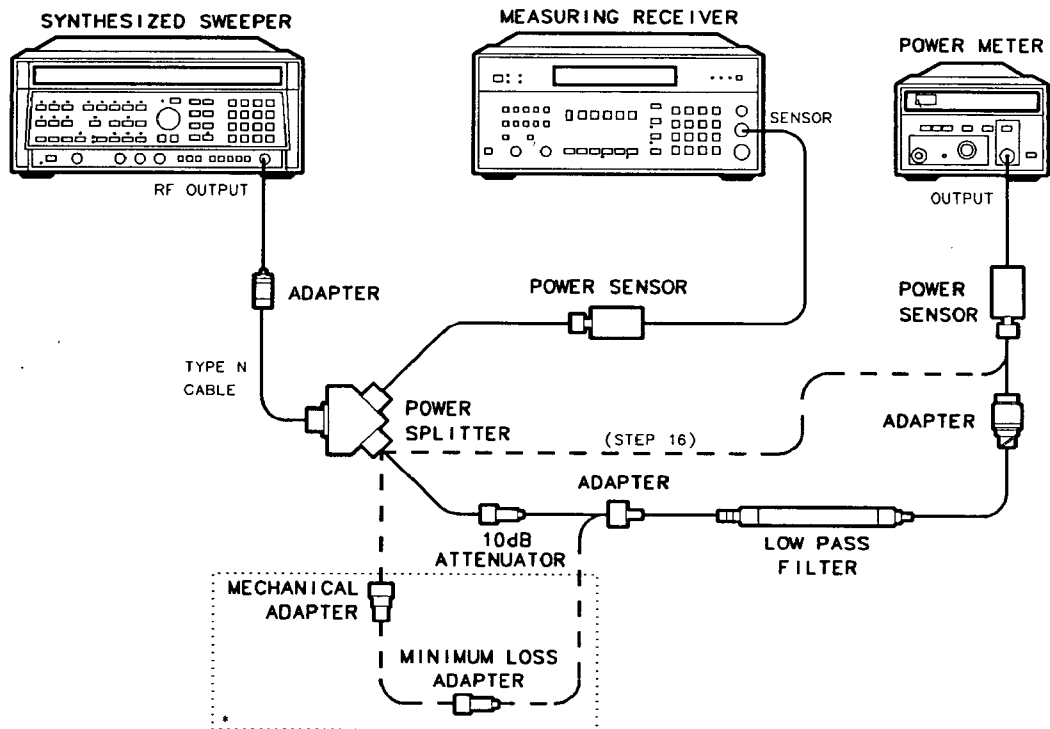


Figure 2-24. LPF Characterization

17. Press INSTRUMENT PRESET on the HP 8340A/B. Set the controls as follows:

CW 300 MHz
 POWER LEVEL -15 dBm

Note Allow the power sensors to settle before proceeding.



18. On the HP 8902A, press RATIO mode. Power indication should be 0 dB.

19. On the HP 436A, press the dB REF mode key. Power indication should be 0 dB.

20. Connect the LPF, Attenuator and adapters as shown in Figure 2-24.

21. Record the HP 8902A reading in dB. This is the relative error due to mismatch.

Mismatch Error _____ dB

22. Record the HP 436A reading in dB. This is the relative uncorrected insertion loss of the LPF, Attenuator and Adapters. Uncorrected Insertion Loss _____ dB

23. Subtract the Mismatch Error (Step 21) from the Uncorrected Insertion Loss (Step 22). This is the corrected insertion loss.

12. Third Converter and Second IF Bandpass

Corrected Insertion Loss _____ dB

Example: If the Mismatch Error is +0.3 dB and the uncorrected Insertion Loss is -10.2 dB, subtracting the mismatch error from the insertion loss produces a corrected reading of -10.5 dB.

300 MHz Calibrator Amplitude Adjustment

24. Connect the equipment as shown in Figure 2-25. The analyzer should be positioned so that the setup of the adapters, LPF and attenuator do not bind. It may be necessary to support the center of gravity of the devices.

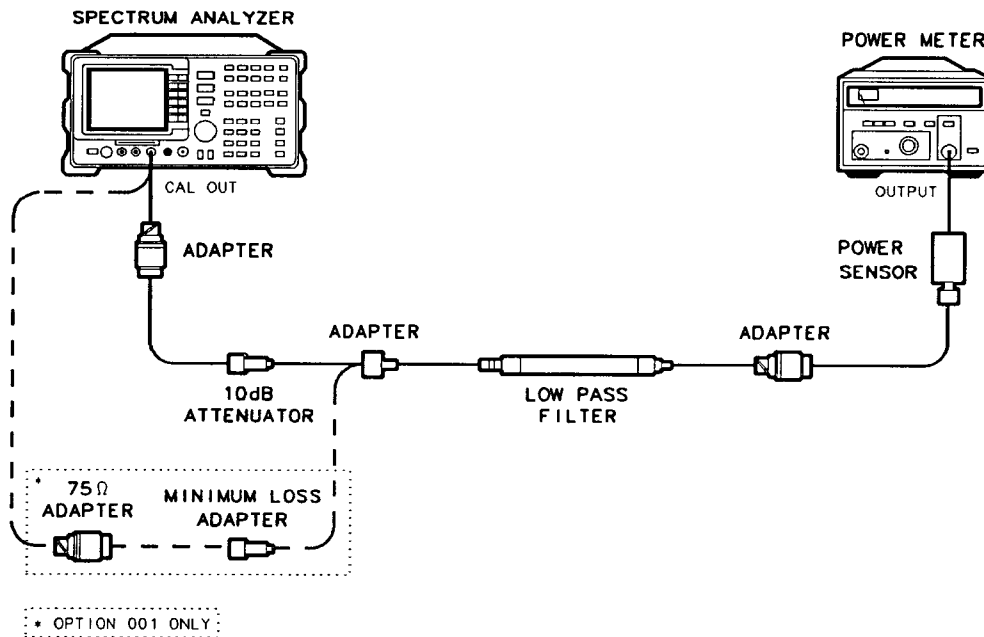


Figure 2-25. 300 MHz Calibrator Amplitude Accuracy Test Setup

12. Third Converter and Second IF Bandpass

25. On the HP 436A, press the dBm mode key. Record the HP 436A reading in dBm.

HP 436A Reading _____ dBm

26. Subtract the Corrected Insertion Loss (Step 23) from the HP 436A reading (Step 25) and record as the CAL OUT power. The CAL OUT should be $-20 \text{ dBm} \pm 0.4 \text{ dB}$.

$$\text{CALOUT Power} = \text{HP 436A Reading} - \text{Corrected Insertion Loss}$$

Example: If the Corrected Insertion Loss is -10.0 dB , and the HP 8902A reading is -30 dB , then $-30 \text{ dB} - (-10.0) \text{ dB} = -20 \text{ dB}$

CAL OUT Power _____ dBm

Option 001 only: The CAL OUT power measured on 75Ω instruments will be the same as 50Ω instruments. To convert from dBm to dBmV use the following equation.

$$\text{dBmV} = \text{dBm} + 48.75 \text{ dB}$$

Example: $-20 + 48.75 = 28.75$

CAL OUT Power _____ dBmV

27. Adjust A9R19 accordingly if the CAL OUT is not $-20 \text{ dBm} \pm 0.4 \text{ dB}$ as calculated in step 26.

13. Frequency Response

Description

The frequency response (flatness) of the spectrum analyzer is measured with the corrections off. The source is adjusted to place the displayed signal at the analyzer center horizontal graticule line.

The flatness data is then entered into the spectrum analyzer using the **SERVICE CAL** functions. The error corrections are stored in battery backed RAM on the A16 Processor/Video Assembly.

Option 001: The 50 Ω system is characterized before starting the "Frequency Response" adjustment procedure.

Equipment

Test Equipment

| | |
|--|------------|
| Synthesized Sweeper | HP 8340A/B |
| Measuring Receiver (used as a power meter) | HP 8902A |
| Frequency Synthesizer | HP 3335A |
| Power Sensor | HP 8482A |
| Power Splitter | HP 11667A |

Adapters

| | |
|-------------------------------|--------------|
| Type N(f) to APC 3.5(m) | HP 1250-1745 |
| Type N(m) to Type N(m) | HP 1250-1475 |

Cables

| | |
|-------------------------------|-----------|
| BNC, 122 cm (48 in.) | HP 10503A |
| Type N, 183 cm (72 in.) | HP 11500A |

Additional equipment for Option 001

| | |
|---|--------------|
| Power Meter | HP 436A |
| Power Sensor | HP 8483A |
| Cable, BNC, 120 cm (48 in) 75 Ω | HP 5062-6452 |
| Adapter, Type N(f) 75 Ω to Type N(m) 50 Ω | HP 1250-0597 |
| Adapter, Type N(m) to BNC(m), 75 Ω | HP 1250-1533 |

Procedure for System Characterization (*Option 001 only*)

1. Zero and calibrate the HP 8902A and HP 8482A as described in the *HP 8902A Operation Manual*.
2. Zero and calibrate the HP 436A and the HP 8483A as described in the *HP 436A Operation Manual*.
3. Press INSTRUMENT PRESET on the HP 8340A/B. Set the HP 8340A/B controls as follows:

| | |
|-------------------|--------|
| CW | 41 MHz |
| FREQ STEP | 37 MHz |
| POWER LEVEL | 5 dBm |

13. Frequency Response

4. Connect the equipment as shown in Figure 2-26.

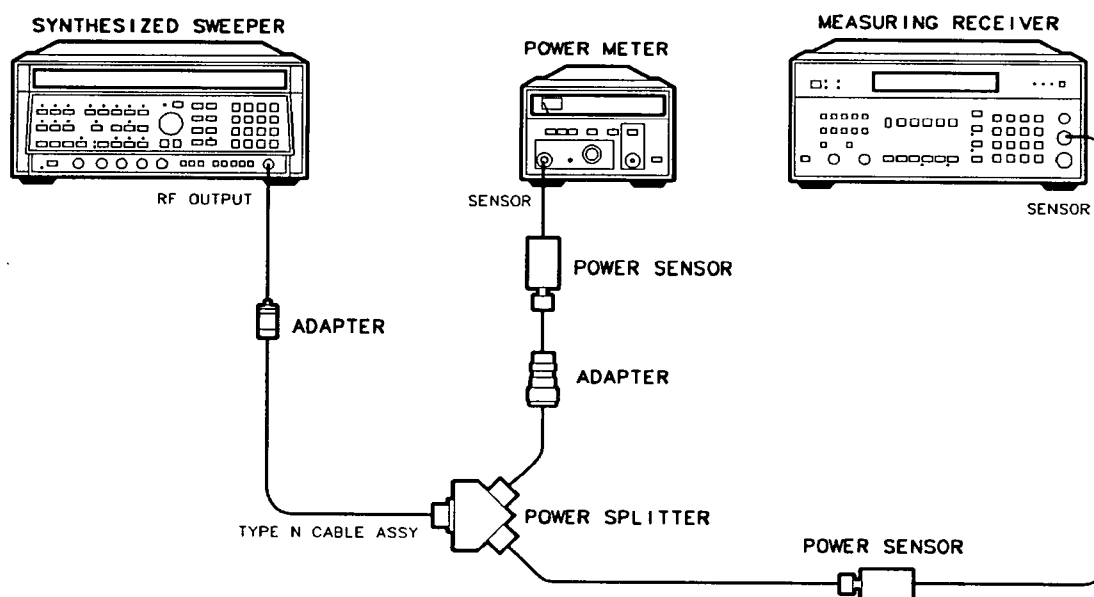


Figure 2-26. System Characterization Test Setup (Option 001)

5. Adjust the HP 8340A/B POWER LEVEL for a 0 dBm reading on the HP 8902A.
6. Record the HP 436A reading in Column 4 of Table 2-10, taking into account the cal factors of both the HP 8482A and the HP 8483A.
7. On the HP 8340A/B, press CW and STEP UP, to step through the remaining frequencies listed in Table 2-10.

At each new frequency repeat steps 5 and 6 and enter each power sensor cal factor into the respective power meter.

Adjustment Procedure

1. Zero and calibrate the HP 8902A and HP 8482A in log mode as described in the *HP 8902A Operation Manual*.
2. Connect the equipment as shown in Figure 2-27.

13. Frequency Response

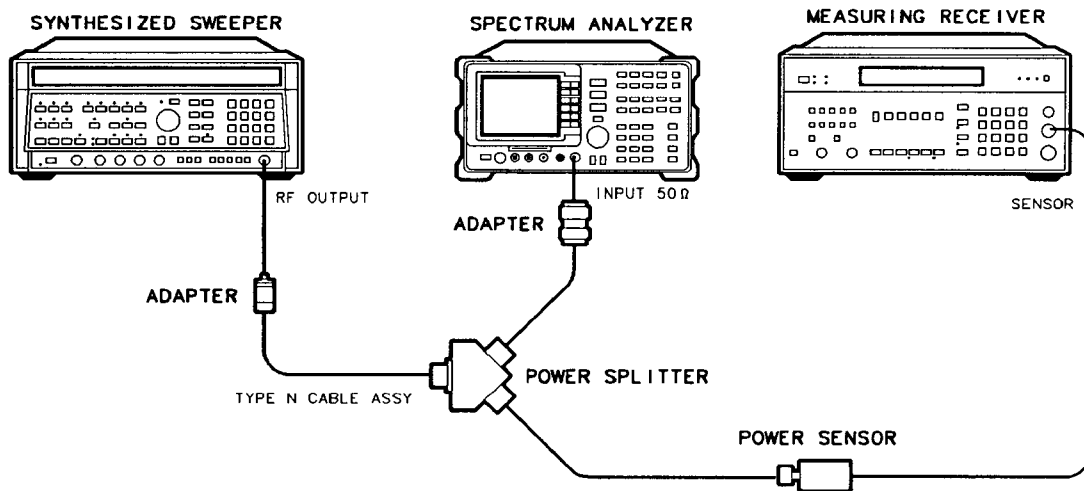


Figure 2-27. Frequency Response Setup

3. Press INSTRUMENT PRESET on the HP 8340A/B. Set the HP 8340A/B controls as follows:

CW300 MHz
 FREQ STEP37 MHz
 POWER LEVEL -9 dBm

4. On the analyzer, press the following keys:

PRESET
CAL MORE 1 of 3
 CORRECT ON OFF (OFF)
FREQUENCY 300 **MHz**
 CF STEP AUTO MAN (MAN) 37 **MHz**
SPAN 5 **MHz**
 (Option 001: press **AMPLITUDE** MORE 1 of 2 **AMPTD UNITS** dBm.)
AMPLITUDE 10 **-dBm**
SCALE LOG LIN (LOG) 1 **dB**
BW 1 **MHz**
PEAK SEARCH
SIGNAL TRACK (ON)

5. Adjust the HP 8340A/B POWER LEVEL for a MKR-TRK amplitude reading of $-14 \text{ dBm} \pm 0.1 \text{ dB}$.
6. Press RATIO mode on the HP 8902A.
7. Set the HP 8340A/B CW to 41 MHz.
8. Press the following analyzer keys:

FREQUENCY 41 **MHz**

13. Frequency Response

- Adjust the HP 8340A POWER LEVEL for an analyzer MKR-TRK amplitude reading of $-14 \text{ dBm} \pm 0.1 \text{ dB}$.
- Record the power ratio here and in Column 2 of Table 2-10 for 41 MHz.

HP 8902A Reading at 41 MHz _____ dB

- Set the HP 8340A/B CW to 78 MHz.
- Press the following analyzer keys:

FREQUENCY 78 **MHz**

- Adjust the HP 8340A/B POWER LEVEL for an analyzer MKR-TRK amplitude reading of $-14 \text{ dBm} \pm 0.1 \text{ dB}$.
- Record the power ratio displayed on the HP 8902A in Column 2 of Table 2-10 for 78 MHz.
- On the HP 8340A/B, press CW and STEP UP.
- On the analyzer, press **FREQUENCY** and **▲** (step up), to step through the remaining frequencies listed in Column 1 of Table 2-10. At each new frequency repeat steps 13 through 15,

entering the power sensor Cal Factor into the HP 8902A as indicated in Column 3 of Table 2-10.

Frequency Response Error At 4 MHz

- Using a cable, connect the HP 3335A directly to the INPUT 50 Ω . See Figure 2-28.

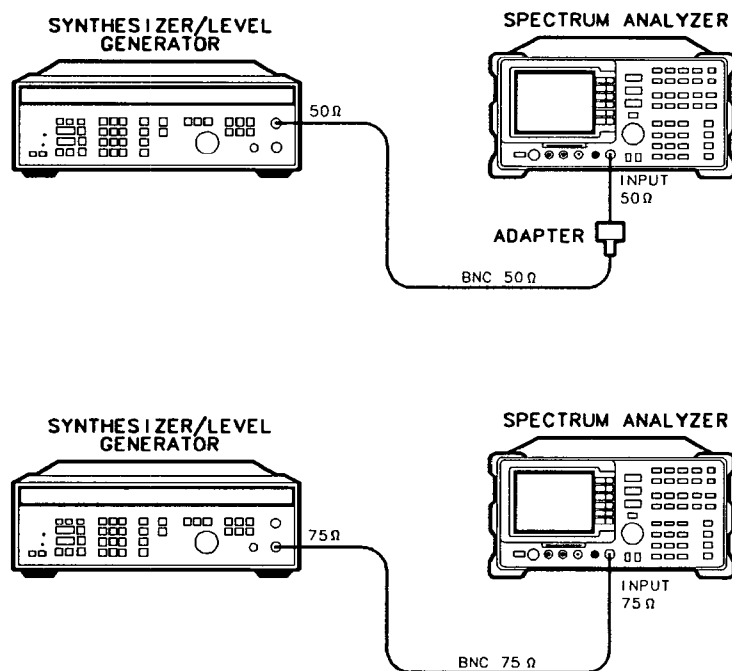


Figure 2-28. Frequency Response for 4 MHz Setup

13. Frequency Response

(Option 001: Using a 75Ω cable, connect the HP 3335A from the 75Ω OUTPUT to the INPUT 75Ω. Set the HP 3335A 50–75Ω switch to the 75Ω position. See Figure 2-28.)

Set the HP 3335A controls as follows:

FREQUENCY 41 MHz
AMPLITUDE -15 dBm
AMPTD INCR 0.05 dB

18. Press the following analyzer keys:

SPAN 10 **MHz**
FREQUENCY 41 **MHz**
BW 10 **kHz**
SPAN 100 **kHz**

Wait for AUTO ZOOM message to disappear.

19. Adjust the HP 3335A AMPLITUDE until the MKR-TRK reads -14 dBm. This corresponds to the amplitude at 41 MHz recorded in step 10. Record the HP 3335A amplitude here.

HP 3335A AMPLITUDE setting (41 MHz) _____ dBm

20. Set the HP 3335A FREQUENCY to 4 MHz.

21. AUTO ZOOM on the 4 MHz signal by pressing the following analyzer keys:

FREQUENCY 4 **MHz**
MKR **MARKERS OFF**
SPAN 20 **MHz**
PEAK SEARCH **NEXT PK RIGHT**
SIGNAL TRACK (ON)
SPAN 100 **kHz**

Wait for AUTO ZOOM message to disappear.

22. Adjust the HP 3335A AMPLITUDE for a MKR amplitude reading of -14.00 dBm ±.05 dB. Record the HP 3335A AMPLITUDE setting here.

HP 3335A AMPLITUDE setting (4 MHz) _____ dBm

23. Subtract the HP 3335A AMPLITUDE setting (4 MHz) recorded in Step 22 from the HP 3335A AMPLITUDE setting (41 MHz) recorded in Step 19. Record the result as the Amplitude Relative to 41 MHz here.

4 MHz Amplitude Relative to 41 MHz _____ dB

24. Add the result from Step 23 to the reading from Step 10 and enter that result in Column 2 of Table 2-10 (Option 001: Column 5) as the 4 MHz error (relative to 300 MHz).

Note

For Option 001 only:



Starting with the error at 41 MHz, add Column 3 (System Error) to Column 2 (Error Relative to 300 MHz) and record the result in Column 5 (Corrected Error Relative to 300 MHz).

13. Frequency Response

Entering Flatness Correction Data

25. Enter the pass code by pressing the following analyzer keys:

PRESET
FREQUENCY --2001 **Hz**

26. To access the flatness correction menu, press the following analyzer keys:

(*Option 001 Only:* **AMPLITUDE** MORE 1 of 2 **AMPTD UNITS** dBm)
CAL MORE 1 of 3 MORE 2 of 3
SERVICE CAL
FLATNESS DATA

Note



Perform the next step *only if* all the flatness correction data must be replaced in memory due to the repair or replacement of the A16 Processor/Video assembly.

27. To initialize the area of memory where the flatness correction data is stored, press the following keys:

INIT FLT
PRESET
FREQUENCY --2001 **Hz**
(*Option 001 Only:* **AMPLITUDE** MORE 1 of 2 **AMPTD UNITS** dBm)
CAL MORE 1 of 3 MORE 2 of 3
SERVICE CAL
FLATNESS DATA

28. To enter flatness corrections, press **EDIT FLATNESS**.

29. The frequency of the first data point, 4.00 MHz, will be displayed in the active function block of the analyzer display.

30. Use the data keys on the analyzer to enter the amplitude value for 4 MHz from Column 2 of Table 2-10 (*Option 001:* Column 5), Frequency Response Errors. Terminate the entry with the **dB** key. When entering negative amplitude values, precede the numeric entry with the **-** and **dB** keys or the **-dB** key.

The **BK SP** (backspace) key may be used to correct any entry if the terminator, **dB** or **-dB** key has *not* been pressed. Re-enter the data if the terminator has been pressed.

Note





Later versions of firmware automatically step to the next frequency point after a flatness correction value has been entered.



31. Press **▲** (step up) and enter the data from Table 2-10, Column 2 (*Option 001:* Column 5) for the next data point as described in step 29.

32. Repeat step 30 for the remaining flatness correction data points listed in Table 2-10.

Note



At each point, verify that the frequency listed in the active function block corresponds to the frequency at which the data was taken. If these two frequencies do not correspond, press  (step up) or  (step down) until the proper frequency is displayed in the active function block.

If some data is incorrect after entering all of the data from Table 2-10, select the incorrect data point using  (step up) or  (step down) and re-enter the proper data.

-
33. After all corrections have been input, press the **STORE FLATNESS** softkey to store the correction data in nonvolatile memory. The instrument will automatically preset and display **CAL: DONE** in the active function block of the analyzer.

13. Frequency Response

Table 2-10. Frequency Response Errors.

| Column 1 Frequency (MHz) | Column 2 Error Relative to 300 MHz (dB) | Column 3 Sensor CAL FACTOR (GHz) | Column 4 (Opt 001) System Error (dB) | Column 5 (Opt 001) Corrected Error Relative to 300 MHz (dB) |
|--------------------------------|--|---|---|---|
| 4 | _____ | N/A | N/A | _____ |
| 41 | _____ | 0.03 | _____ | _____ |
| 78 | _____ | 0.1 | _____ | _____ |
| 115 | _____ | 0.1 | _____ | _____ |
| 152 | _____ | 0.1 | _____ | _____ |
| 189 | _____ | 0.3 | _____ | _____ |
| 226 | _____ | 0.3 | _____ | _____ |
| 263 | _____ | 0.3 | _____ | _____ |
| 300 | _____ | 0.3 | _____ | _____ |
| 337 | _____ | 0.3 | _____ | _____ |
| 374 | _____ | 0.3 | _____ | _____ |
| 411 | _____ | 0.3 | _____ | _____ |
| 448 | _____ | 0.3 | _____ | _____ |
| 485 | _____ | 0.3 | _____ | _____ |
| 522 | _____ | 0.3 | _____ | _____ |
| 559 | _____ | 1.0 | _____ | _____ |
| 596 | _____ | 1.0 | _____ | _____ |
| 633 | _____ | 1.0 | _____ | _____ |
| 670 | _____ | 1.0 | _____ | _____ |
| 707 | _____ | 1.0 | _____ | _____ |
| 744 | _____ | 1.0 | _____ | _____ |
| 781 | _____ | 1.0 | _____ | _____ |
| 818 | _____ | 1.0 | _____ | _____ |
| 855 | _____ | 1.0 | _____ | _____ |
| 892 | _____ | 1.0 | _____ | _____ |

13. Frequency Response

Table 2-10. Frequency Response Errors. (continued)

| Column 1 Frequency (MHz) | Column 2 Error Relative to 300 MHz (dB) | Column 3 Sensor CAL FACTOR (GHz) | Column 4 (Opt 001) System Error (dB) | Column 5 (Opt 001) Corrected Error Relative to 300 MHz (dB) |
|--------------------------------|--|---|---|---|
| 929 | _____ | 1.0 | _____ | _____ |
| 966 | _____ | 1.0 | _____ | _____ |
| 1003 | _____ | 1.0 | _____ | _____ |
| 1040 | _____ | 1.0 | _____ | _____ |
| 1077 | _____ | 1.0 | _____ | _____ |
| 1114 | _____ | 1.0 | _____ | _____ |
| 1151 | _____ | 1.0 | _____ | _____ |
| 1188 | _____ | 1.0 | _____ | _____ |
| 1225 | _____ | 1.0 | _____ | _____ |
| 1262 | _____ | 1.0 | _____ | _____ |
| 1299 | _____ | 1.0 | _____ | _____ |
| 1336 | _____ | 1.0 | _____ | _____ |
| 1373 | _____ | 1.0 | _____ | _____ |
| 1410 | _____ | 1.0 | _____ | _____ |
| 1447 | _____ | 1.0 | _____ | _____ |
| 1484 | _____ | 1.0 | _____ | _____ |
| 1521 | _____ | 1.0 | _____ | _____ |
| 1558 | _____ | 2.0 | _____ | _____ |
| 1595 | _____ | 2.0 | _____ | _____ |
| 1632 | _____ | 2.0 | _____ | _____ |
| 1669 | _____ | 2.0 | _____ | _____ |
| 1706 | _____ | 2.0 | _____ | _____ |
| 1743 | _____ | 2.0 | _____ | _____ |
| 1780 | _____ | 2.0 | _____ | _____ |
| 1817 | _____ | 2.0 | _____ | _____ |

14. Time and Date

Description

The time and date are displayed in the top left corner of the display when the timedate mode is activated. The time and date are changed using the front-panel keys.

Adjustment Procedure

1. To turn the time and date ON or OFF, press the following analyzer keys:

CONFIG

TIMEDATE

TIMEDATE ON OFF (ON) or (OFF) as desired

The time and date will be displayed in the top-left corner with ON underlined.

2. The time and date may be displayed as month, day, and year (MDY) or as day, month, and year (DMY). To change the display, press the following analyzer keys:

CONFIG

TIMEDATE

DATEMODE MDY DMY (MDY) or (DMY) as desired

3. To change the date, press the following analyzer keys:

CONFIG

TIMEDATE

SET DATE

The active function block of the analyzer will display YYYYMMDD (year, month, and day). Use the data keys on the analyzer to enter the correct date as YYYYMMDD. Terminate the entry with one of the **ENTER** data keys.

4. To change the time, press the following analyzer keys:

CONFIG

TIMEDATE

SET TIME

The active function block of the analyzer will display HHMMSS (hours, minutes, and seconds). Use the data keys on the analyzer to enter the correct time as HHMMSS. Terminate the entry with one of the **ENTER** data keys.

15. Modulator Offset and Gain Adjustment (Option 010 and 011)

Description

The gain and offset of the modulator is adjusted with the internal Automatic Level Control disabled. The modulator test point on the A7A1 Tracking Generator Control assembly is multiplexed onto test point A7TP2 located on the A7 Analog Interface assembly. This is done by executing the command MOD_TP in screen title mode.

Equipment

| | |
|---|-----------|
| Digital Multimeter (DMM) | HP 3456A |
| DVM Test Leads | HP 34118A |
| Adapter, Type N (m) to BNC (f) (2 required) | 1250-1476 |
| BNC Cable | 8120-2682 |
| Additional Equipment for Option 011 | |
| BNC Cable, 75 ohm | 5062-6452 |

Procedure

1. Switch the analyzer on and let it warm up 30 minutes.
2. Use a cable to connect the analyzer's front panel CAL OUT connector to the RF INPUT connector.

Caution

Use only 75Ω cables, connectors, or adapters on the 75Ω input of an Option 001 or damage to the input connector will occur.



3. Press **PRESET** and then **CAL**. Run the **CAL AMPTD** and **CAL FREQ** routines. It is normal for **FREQ UNCAL** to appear on the display. This will disappear after the CAL routines are finished.

Note

If the display shows **CAL SIGNAL NOT FOUND** the routines default settings are not sufficient to find the signal. Press **FREQ** **-37** **Hz** before running the CAL routines. This causes the routines to bypass the CAL signal check.



4. Press **CAL STORE** on the analyzer.
5. Connect the front-panel RF OUT to the RF INPUT using a BNC cable and adapters.
6. Perform the tracking generator self-cal routine, CAL TRK GEN, by pressing **CAL** **MORE 1 of 3** **MORE 2 of 3** **CAL TRK GEN**. Wait for the completion of the routine (less than 1 minute).
7. Press **CAL STORE**.
8. Press **PRESET**, and wait for instrument preset to be completed.

15. Modulator Offset and Gain Adjustment (Option 010 and 011)

9. Set the analyzer to the following settings:

FREQUENCY 300 MHz
SPAN ZERO SPAN

10. If the instrument only has Option 001 and Option 011, press **AMPLITUDE** **MORE 1 of 2** **AMPTD UNITS** **dBm**. Set the analyzer's reference level to +12 dBm.
11. Press **AUX CTRL**, **TRACK GEN**, and **SRC PWR ON OFF**. The word ON in **SRC PWR ON OFF** should be underlined.
12. Press **CAL** **MORE 1 of 3** **MORE 2 of 3** **SERVICE DIAG** **MORE 1** **MORE 2** **MORE 3** **MORE 4** **MORE 5** and **ALC TEST**. This breaks the ALC loop, causing TG UNLVL to appear on the screen; this is normal.
13. Connect the ground (-) lead of the DMM to A7TP1. Connect the positive (+) lead to A7TP2.
14. Adjust A7A1R49 fully clockwise.

Note



It will be necessary to give the analyzer a command via screen title mode that will connect the MOD_TP test point, located on the A7A1 Tracking Generator Control Assembly, to A7TP2.

15. Press **DISPLAY** **CHANGE TITLE** and then type in:

DET TGMOD;

16. Press **HOLD**.
17. Press the following keys to execute the screen title command: **CAL** **MORE 1 of 3** **MORE 2 of 3** **SERVICE CAL** **EXECUTE TITLE**.

Note



TGMOD should appear in the upper left screen annotation below REF.

18. Press **AUX CTRL** **TRACK GEN** **SRC PWR**.
19. Adjust the front-panel knob for 0.0 V \pm 0.01 V on the DMM.
20. Press **TRACE** **CLEAR WRITE A** **MORE 1 of 3** **DETECTOR SAMPLE PK** (PK is underlined).
21. Press **MKR** **MARKER DELTA**.
22. Adjust A7A1R49 so that the MKR reading drops approximately 0.15 to 0.1 dB.
23. Press **MKR** **MARKER DELTA** **MARKER DELTA**.
24. Press **CAL** **MORE 1 of 3** **MORE 2 of 3** **SERVICE CAL** **EXECUTE TITLE**.
25. Press **AUX CTRL** **TRACK GEN** **SRC PWR ON**.
26. Adjust the front-panel knob for -1.0 V \pm 0.01 V measured with the DMM.

15. Modulator Offset and Gain Adjustment (Option 010 and 011)

27. Press **TRACE** **CLEAR WRITE A** **MORE 1 OF 3** **DETECTOR SAMPLE PK** (PK in underlined).
28. Adjust A7A1R43 so that the MARKER DELTA reading is $-33 \text{ dB} \pm 0.5 \text{ dB}$.
29. Press **PRESET**. Wait for the routine to finish.
30. Perform the tracking generator self-cal routine, CAL TRK GEN, by pressing **CAL** **MORE 1 of 3** **MORE 2 of 3** **CAL TRK GEN**. Wait for the completion of the routine (less than 1 minute).
31. Press **CAL STORE**.

16. Entering External ALC Correction Constants

(Option 010 and 011)

Description

External automatic level control (ALC) operation is corrected by entering the correction Constants (CALTGX slope and offset) into the analyzer's memory using the EXECUTE TITLE function.

Correction constants that pertain to each tracking generator are developed at the factory. The two constants are recorded on a label which is located on the A7A1 Tracking Generator Control Board Assembly.

Equipment

No equipment is required for this procedure.

Procedure

1. Record the CAL TGX slope and offset numbers (located on the A7A1 assembly) below:

Slope = _____
Offset = _____

2. Press the following analyzer keys: **DISPLAY** **CHANGE TITLE** **MORE 1 of 2** and **RPG TITLE**.
3. Use the front-panel knob and **ENTER** key to enter the CALTGX slope and offset correction constants in the format **CALTGX slope,offset**; . For example, a slope of 0.3079 and an offset of 3095 would be entered as:

CALTGX 0.3079,3095;
4. Press **HOLD** **CAL** **MORE 1 of 3** **MORE 2 of 3** **SERVICE CAL** and **EXECUTE TITLE**.
5. Perform the "External ALC Verification" procedure.

17. External ALC Verification (Option 010 and 011)

Description

External automatic level control (ALC) operation is verified by measuring the power necessary to level the tracking generator at a source power of 0 dBV and -34 dBV. There are no specifications in Table 1-1 of the *HP 8591A/8593A Spectrum Analyzer Installation, Verification, and Operation Manual* for this adjustment. The limit set for verification is ± 0.75 dBV.

Note



If the External ALC Verification test does not pass, or if the factory correction constants are not available, perform the "External ALC Error Correction" procedure in this chapter.

Equipment

| | |
|---|-------------|
| Digital Multimeter | HP 3456A |
| Power Meter | HP 436A |
| Power Sensor | HP 8482A |
| Cable, BNC(m) to dual banana plug | 11001-60001 |
| BNC Tee | 1250-0781 |
| Adapter, Type N(m) to BNC(f) (2 required) | 1250-1476 |
| BNC Cable, 122 cm (48 in) | HP 10503A |
| BNC Cable | 8120-2682 |
| Additional Equipment for Option 011 | |
| Power Sensor, 75 ohm | HP 8483A |
| BNC Cable, 75 ohm | 5062-6452 |
| Adapter, 75 ohm, Type N(f) to BNC(m) | 1259-1534 |

Procedure

1. Switch the analyzer on and let it warm up 30 minutes.
2. Use the CAL cable to connect the analyzer's front panel CAL OUT connector to the RF INPUT connector.

Caution



Use only 75 Ω cables, connectors, or adapters on the 75 Ω input of an Option 001 or damage to the input connector will occur.

3. Press **PRESET** and then **CAL**. Run the **CAL AMPTD** and **CAL FREQ** routines. It is normal for **FREQ UNCAL** to appear on the display. This will disappear after the CAL routines are finished.

Note



If the display shows **CAL SIGNAL NOT FOUND** the routines default settings are not sufficient to find the signal. Press **FREQ** -37 **Hz** before running the CAL routines. This causes the routines to bypass the CAL signal check.

17. External ALC Verification (Option 010 and 011)

4. Press **CAL STORE** on the analyzer.
5. Connect a BNC cable from the RF INPUT to the RF OUTPUT.
6. Press **PRESET**, and wait for instrument preset to be completed.
7. Press **CAL MORE 1 OF 3 MORE 2 OF 3 CAL TRK GEN**. Wait for the completion of the self-calibration routine (less than 1 minute).
8. Press **CAL STORE**.
9. Zero and calibrate the power meter and sensor as described in the power meter operation manual.
10. Connect the equipment as shown in Figure 2-29. *For Option 011 only:* Use the HP 8483A, with an adapter, instead of the HP 8482A.
11. If the instrument only has Option 001 and Option 011, press **AMPLITUDE MORE 1 of 2 AMPTD UNITS dBm**.

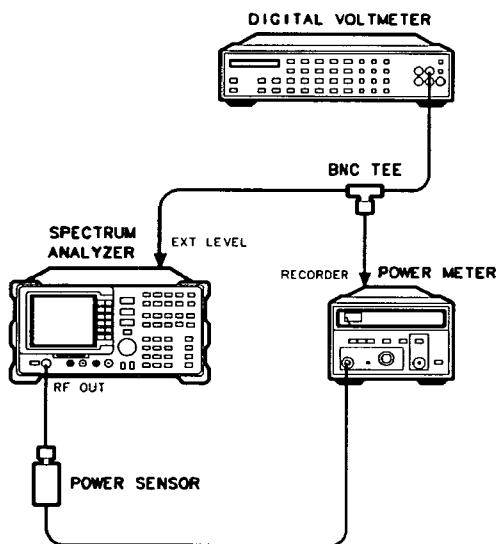


Figure 2-29. External ALC Verification Adjustment

12. Set the HP 3456A Digital Multimeter to measure dc volts.
13. Set the analyzer to the following settings:

| | |
|-----------------|-----------|
| FREQUENCY | 300 MHz |
| SPAN | ZERO SPAN |
14. Press **AUX CTRL TRACK GEN SRC PWR ON OFF** (until ON is underlined) 2 **-dBm**.
15. Ensure that the power meter reads -2 ± 2 dB, and press **RANGE HOLD** on the power meter.
16. On the analyzer, press **MORE 1 OF 2 ALC MTR INT XTAL** (until MTR is underlined).
17. Adjust the SRC PWR for 0 dBV.

17. External ALC Verification (Option 010 and 011)

Note



Once the tracking generator is externally leveled, the source power units changes from dBm to dBV. The analyzer will continue to display power in dBm.

18. Note the voltage on the HP 3456A Digital Multimeter. This is the error at source power 0 dBV. Record the automatic leveling control (ALC) voltage in the space provided.

ALC voltage at 0 dBV = _____volts dc

19. Convert the ALC voltage recorded in the previous step to dBv using the following equation.

$$ALC \text{ Voltage in dBv} = 20 \log (V)$$

The calculated ALC voltage, in dBV, should be ≥ -0.75 dBV and $\leq +0.75$ dBV.

20. Adjust the SRC PWR to -34 dBV. (Screen reads -34 dBm.)

21. Note the voltage on the HP 3456A Digital Multimeter. Wait until the reading stabilizes before recording it in the space provided. This is the error at a source power of -34 dBV.

ALC voltage at -34 dBV = _____volts dc

22. Convert the ALC voltage recorded in the previous step using the following equation.

$$ALC \text{ voltage in dBV} = 20 \log (V)$$

The calculated ALC voltage, in dBV, should be greater than or equal to -34.75 dBV and less than or equal to -33.25 dBV.

18. External ALC Error Correction (Option 010 and 011)

Description

External automatic level control (ALC) operation is corrected by developing two correction constants (CALTGX Slope and Offset).

Note



This procedure is only necessary if the External ALC Verification test does not pass, or if the factory correction constants are not available.

Equipment

| | |
|---|-------------|
| Digital Multimeter | HP 3456A |
| Power Meter | HP 436A |
| Power Sensor | HP 8482A |
| Cable, BNC (m) to dual banana plug | 11001-60001 |
| BNC Tee | 1250-0781 |
| Adapter, Type N (m) to BNC (f) (2 required) | 1250-1476 |
| BNC Cable, 122 cm (48 in) | HP 10503A |
| BNC Cable | 8120-2682 |
| Additional Equipment for Option 011 | |
| Power Sensor, 75 ohm | HP 8483A |
| BNC Cable, 75 ohm | 5062-6452 |
| Adapter, 75 ohm, Type N (f) to BNC (m) | 1259-1534 |

Procedure

1. Connect a BNC cable from the RF INPUT to the RF OUTPUT.
2. Press **PRESET**, and wait for instrument preset to be completed.
3. Press **CAL** **MORE 1 OF 3** **MORE 2 OF 3** **CAL TRK GEN**. Wait for the completion of the self-calibration routine (less than 1 minute).
4. Press **CAL STORE**.
5. Zero and calibrate the power meter and sensor as described in the power meter operation manual.
6. Connect the equipment as shown in Figure 2-30.
7. If the instrument only has Option 001 and Option 011, press **AMPLITUDE** **MORE 1 of 2** **AMPTD UNITS** **dBm**.

18. External ALC Error Correction (Option 010 and 011)

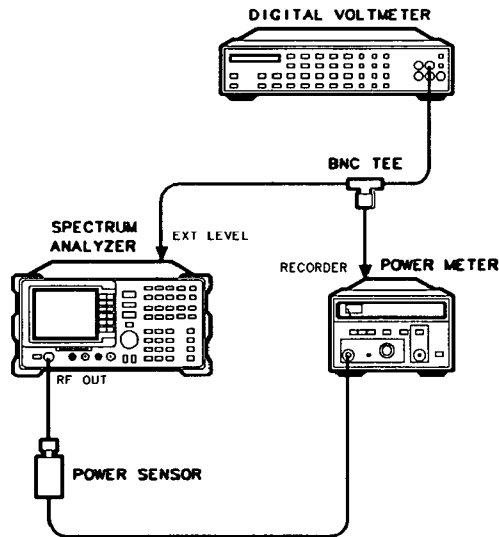


Figure 2-30. External ALC Error Correction Adjustment

8. Set the HP 3456A Digital Multimeter to measure dc volts.
9. *For Option 011 only:* Use the HP 8483A, with the adapter, instead of the HP 8482A.

Note



It is necessary to enter data into the analyzer's nonvolatile memory by first entering the command into screen TITLE, and then using EXECUTE TITLE.

10. Load the default correction constants for Slope and Offset by pressing **DISPLAY** **CHANGE TITLE** **MORE 1 OF 2** **RPG TITLE**.
11. Use the front-panel knob and the **ENTER** key to enter the following screen title: CALTGX 0.3079,3095;
12. Press **HOLD** **CAL** **MORE 1 OF 3** **MORE 2 OF 3** **SERVICE CAL** **EXECUTE TITLE**.

Note



This correction procedure will work only if the given default numbers are entered first.

13. Set the analyzer to the following settings:

FREQUENCY 300 MHz
SPAN ZERO SPAN

14. Press **AUX CTRL** **TRACK GEN** **SRC PWR ON OFF** (until ON is underlined) 2 **-dBm**.
15. Ensure that the power meter reads -2 ± 2 dBm. Press **RANGE HOLD** on the HP 436A Power Meter.
16. On the analyzer, press **MORE 1 OF 2** **ALC MTR INT XTAL** (until MTR is underlined).

18. External ALC Error Correction (Option 010 and 011)

17. Adjust the SRC PWR for 0 dBV as read on the analyzer display.

Note



Once the tracking generator is externally leveled, the source power units changes from dBm to dBV. The analyzer will continue to display power in dBm.

18. Note the voltage on the HP 3456A Digital Multimeter. Wait until the reading stabilizes before recording it in the space provided. This is the ALC voltage at a source power of 0 dBV (V_{High}).

$V_{High} =$ _____ volts dc

19. Adjust the SRC PWR for -34 dBV as read on the analyzer display.

20. Note the voltage on the HP 3456A Digital Multimeter. Wait until the reading stabilizes before recording it in the space provided. This is the ALC voltage at a source power of -34 dBV (V_{Low}).

$V_{Low} =$ _____ volts dc

21. Calculate the actual slope from the two voltage measurements using the following equation.

$$Slope = \frac{10.47}{20 \times \log \frac{V_{High}}{V_{Low}}}$$

Slope = _____

For example, if V_{High} is 0.949V and V_{Low} is 0.019V, then the slope is 10.47 divided by 33.97, or 0.3082.

22. Calculate the offset from the calculated slope value (step 20) and the measured V_{High} (step 17) using the following equation.

$$Offset = 3095 - (Slope \times 2000 \times \log (V_{High}))$$

Offset = _____

For example, given the same V_{High} and V_{Low} values as listed in the slope example:

$$Offset = 3095 - 0.3082 \times -45.47$$

$$Offset = 3095 - (-14.01)$$

$$Offset = 3109$$

18. External ALC Error Correction (Option 010 and 011)

23. Enter the calculated Slope and Offset correction constants into nonvolatile memory using the TITLE mode as previously described in step 10.
24. Perform the External Leveling Verification procedure to ensure correct operation.

Replacement Procedures

Introduction

The procedures in this chapter describe the removal and replacement of major assemblies in the HP 8591A Spectrum Analyzer.

| | |
|--------------------------------|---|
| Instrument Cover | A15 Motherboard and IF Extrusion |
| A1 Front-Frame Assembly | A16 Processor/Video Board Assembly |
| A1A1 Keyboard/Front Panel Keys | A16 Processor/Video Board Firmware ROMs |
| A2 Display | A17 Memory Card Reader |
| Front-End Assembly | B1 Fan |
| A8 Power Supply | BT101 Battery |

A24 Tracking Generator (Option 010 and 011)

The words right and left are used throughout these procedures to indicate the sides of the analyzer as normally viewed from the operating position. Numbers in parentheses indicate numerical callouts on the figures.

If one or more analyzer assemblies have been replaced, related adjustments and performance verification tests should be done. Refer to the “Adjustments and Tests for Replaced or Repaired Assemblies” table in Chapter 6 of this manual for the related adjustments and performance verification tests required for each assembly.

Before You Start

There are three things you must do *before* you begin the replacement procedures in this chapter:

1. Familiarize yourself with the safety symbols marked on the analyzer, the general safety instructions, and the symbol definitions given in the front of this manual.
2. Read the section entitled, “Protection From Electrostatic Discharge” in Chapter 1 of this manual. The spectrum analyzer contains static sensitive components that must be protected.
3. Refer to Tables 1-5 and 1-6 in Chapter 1 for a list of the service tools required to complete these replacement procedures.

Instrument Cover

Removal

1. Disconnect the analyzer from ac power.

Caution



To prevent damage to the front frame, use a soft cloth or towel between the work surface and the front frame.

2. Carefully place the analyzer on the work surface with the front frame facing down.
3. Remove the four screws and washers attaching the instrument cover to the rear frame.
4. Unscrew, but do not remove, the four rear-feet screws, using a 4 mm hex wrench.
5. Pull the instrument cover off towards the rear of the instrument.

Replacement

1. Disconnect the analyzer from ac power.

Caution



To prevent damage when replacing the instrument cover, remember the following:

- Use a soft cloth or towel between the work surface and the front frame.
 - Ensure that cables do not bind between the instrument cover and its internal assemblies.
-

2. Carefully place the analyzer on the work surface with the front frame facing down.
3. Replace the instrument cover assembly by matching the seam on the cover with the bottom of the instrument.
4. Fit the leading edge of the cover completely into the slot on the back of the front-frame assembly. The cover should fit snugly against the EMI gasket in the slot.
5. Tighten the four rear-feet screws with a 4 mm hex wrench.
6. Replace the four screws and washers attaching the instrument cover assembly to the rear frame.

A1 Front-Frame Assembly

Caution Use ESD precautions when performing this replacement procedure.



Removal

1. Remove the instrument cover assembly. Refer to the “Instrument Cover” removal procedure.
2. Place the analyzer with the bottom side facing up on the work surface.
3. Remove the A17 Memory Card Reader. Refer to the “A17 Memory Card Reader” removal procedure.
4. Remove the two screws (1) securing the front frame to the main chassis. See Figure 3-1.
5. Disconnect the W10 semirigid cable (2) from the INPUT 50Ω (*Option 001*: INPUT 75Ω).
6. Disconnect W3 (3) from A1R1, the front-frame INTEN control.

Note



If the instrument came equipped with an A102 AM/FM Speaker and TV Synch Trigger (*Option 102*), disconnect W102 from the VOL control wiring connector at A1R1.

-
7. Disconnect W1 (4) from A16J9.
 8. Place the analyzer with the front frame forward and the top side facing up on the work surface.
 9. Disconnect W7 from A9J2.
 10. Remove the five screws (5) securing the front frame to the main chassis sides; three screws on the right and two screws on the left.

Caution To prevent damage to W10, make sure it is completely disconnected from the input connector *before* removing the front frame.



-
11. Separate the front frame from the main chassis and disconnect the W4 ribbon cable from the A1A1 Keyboard assembly.
 12. Remove the front-frame assembly.

A1 Front-Frame Assembly

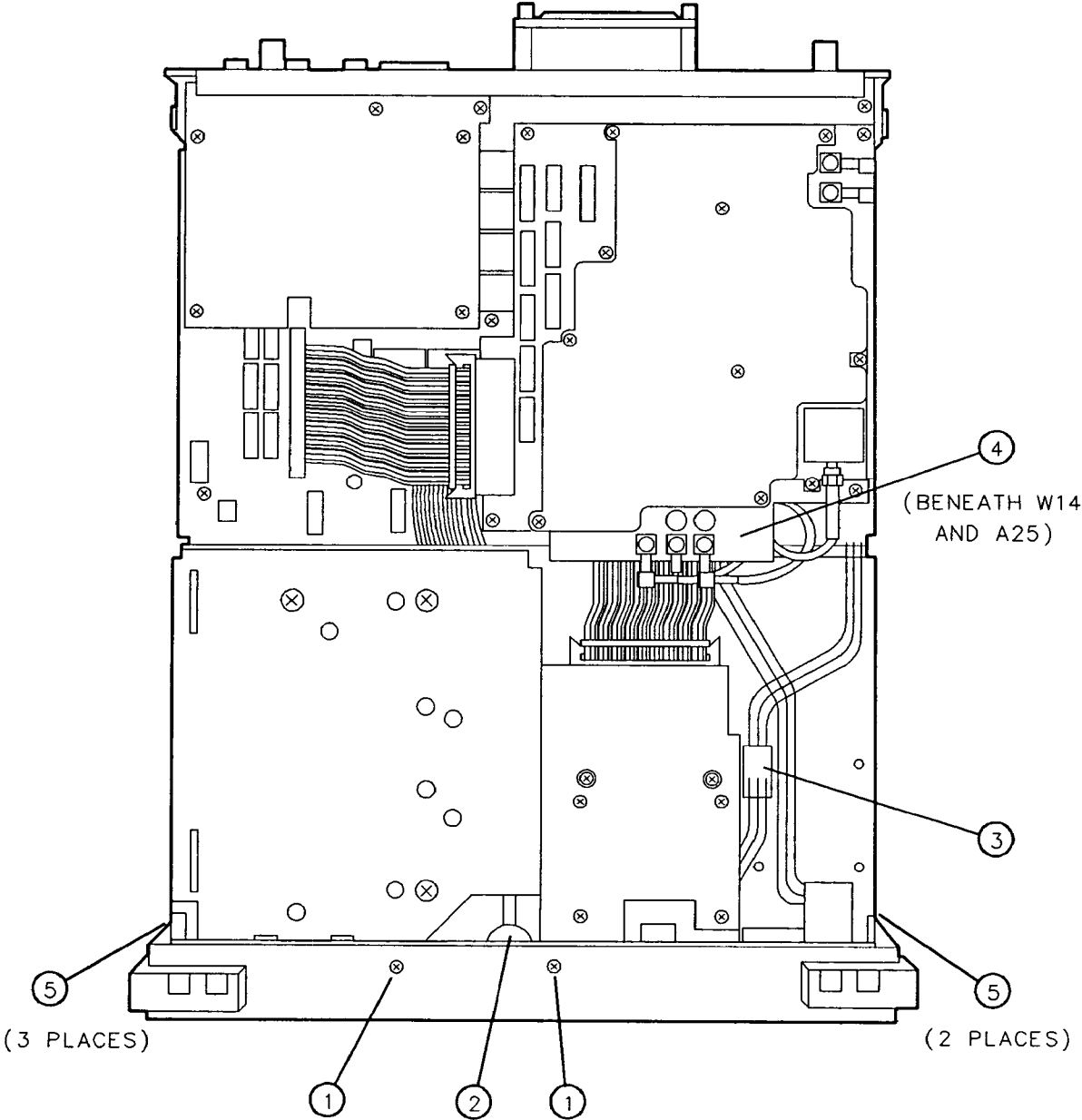


Figure 3-1. A1 Front-Frame Replacement

Replacement

1. Connect W7 to A9J2 and route the cable down between the A2 Display and the Front-End Assembly.
2. Connect the W4 ribbon cable to the A1A1 Keyboard.
3. Align the W10 semirigid cable (2) with the INPUT 50 Ω (*Option 001: INPUT 75 Ω*) while replacing the front frame on the main chassis. Make sure that the cables attached to the front-frame are not pinched between adjacent assemblies.
4. Replace the five screws (5) securing the front frame to the main chassis sides, three screws on the right and two screws on the left.
5. Place the analyzer with the front frame forward and the bottom side facing up on the work surface.
6. Connect W1 (4) to A16J9.
7. Connect W3 (3) to the connector from the front-frame INTEN control.

Note



If the instrument came equipped with an A102 AM/FM Speaker and TV Synch Trigger (Option 102), connect W102 to the VOL control wiring connector at A1R1.

8. Tighten the W10 semirigid cable (2) at the INPUT 50 Ω (*Option 001: INPUT 75 Ω*) to 10 inch-pounds.
9. Replace the two screws (1) securing the front frame to the main chassis.
10. Replace the A17 Memory Card Reader. Refer to the "A17 Memory Card Reader" replacement procedure.
11. Replace the instrument cover assembly. Refer to the "Instrument Cover" replacement procedure.

A1A1 Keyboard/Front-Panel Keys

Removal

1. Remove the front frame from the analyzer as described in the “A1 Front-Frame Assembly” removal procedure.
2. Place the front frame face down on the work surface.
3. Disconnect W5 from A1A1J3 and the A1A2 wiring connector from A1A1J2.
4. Remove the nine screws holding the A1A1 Keyboard assembly to the front frame and remove the assembly. Be careful to keep the front frame level. All front-panel keys will now be loose and held in place only by gravity.
5. Remove the rubber keypad.

Note



The front-panel softkey actuators are part of the display bezel assembly and are not replaceable. If the softkeys are damaged, replace the bezel assembly.

Replacement

1. Check that all front-panel keys are correctly placed in the front-frame assembly. Figure 3-2 illustrates the positions of all keys as viewed from the back side of the front panel. Make sure that the indented orientation mark located on the back of each key is next to the raised marks located on the front-frame casting next to each key.
2. Place the rubber keypad over the keys, ensuring that the screw holes are visible through the pad.
3. Place the A1A1 Keyboard assembly over the rubber keypad. Secure with nine panhead screws.
4. Connect the A1A2 wiring connector to A1A1J2 and W5 to A1A1J3.
5. Install the front frame to the analyzer as described in the “A1 Front Frame” replacement procedure.

A1A1 Keyboard/Front-Panel Keys

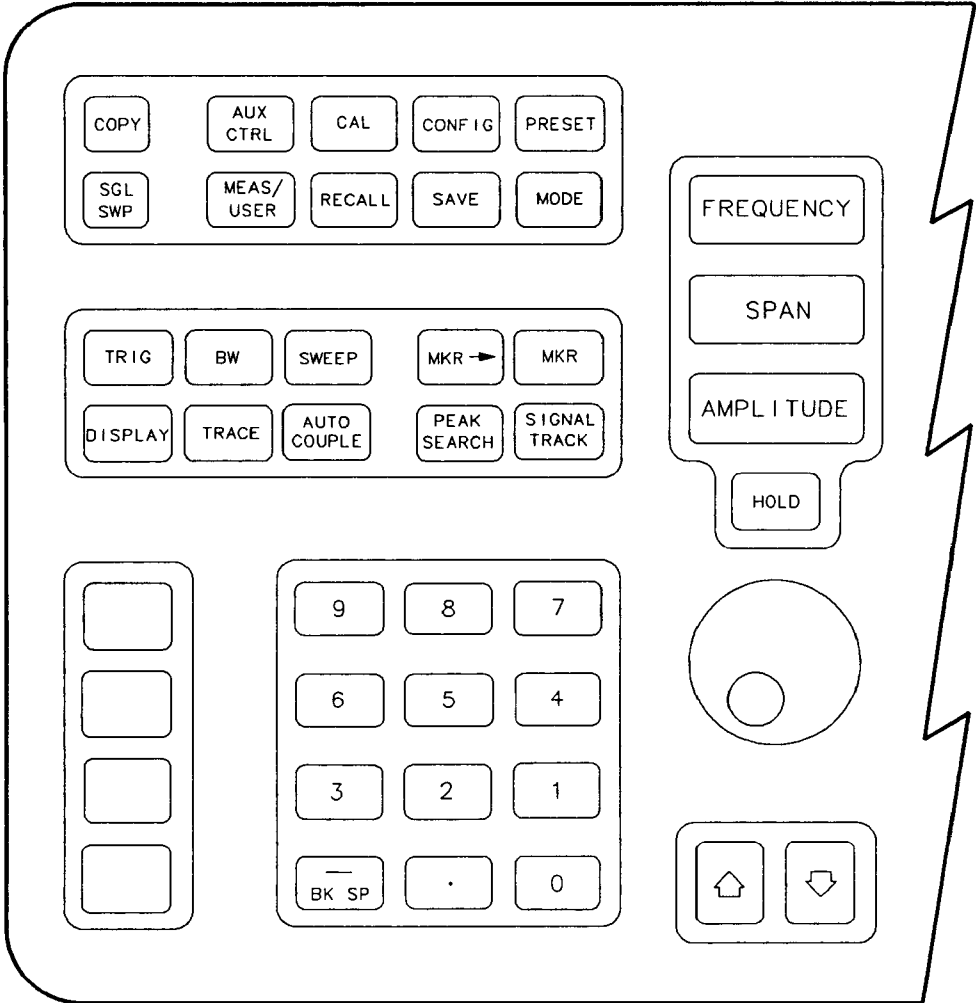


Figure 3-2. A1A1 Front-Panel Key Positions

A2 Display

Caution Use ESD precautions when performing this replacement procedure.



Removal

1. Remove the instrument cover assembly. Refer to the “Instrument Cover” removal procedure.
2. Remove the A17 Memory Card Reader. Refer to the “A17 Memory Card Reader” removal procedure.
3. Remove the A1 Front-Frame assembly. Refer to the “A1 Front-Frame Assembly” removal procedure.
4. Place the instrument on the work surface with the bottom side facing up.
5. Remove the three screws (1) that secure the A2 Display to the chassis. See Figure 3-3.
6. Disconnect the W2 wire harness (2) from A16J8 on the A16 Processor/Video Board Assembly.
7. Place the instrument on its right side.

Caution The plastic locking clip on the W3 connector (3) is fragile. Protect the connector by wrapping it with a piece of tape before pushing it down into the slot (4) on the instrument chassis.



8. Push the W2 wire harness (2) and the W3 wire harness (3) down into the slot (4) on the instrument chassis.
9. Hold the display in position and remove the two screws (5) that secure the display to the left side of the instrument chassis.

Caution A corner of the A8 Power Supply partially blocks the slot (4) in the instrument chassis. Make sure that the display’s wiring harness and connectors do not jam between the power supply and the chassis.



10. Slowly remove the display assembly from the front of the instrument. Continue to route W2 and W3 through the slot (4) as the display is removed.

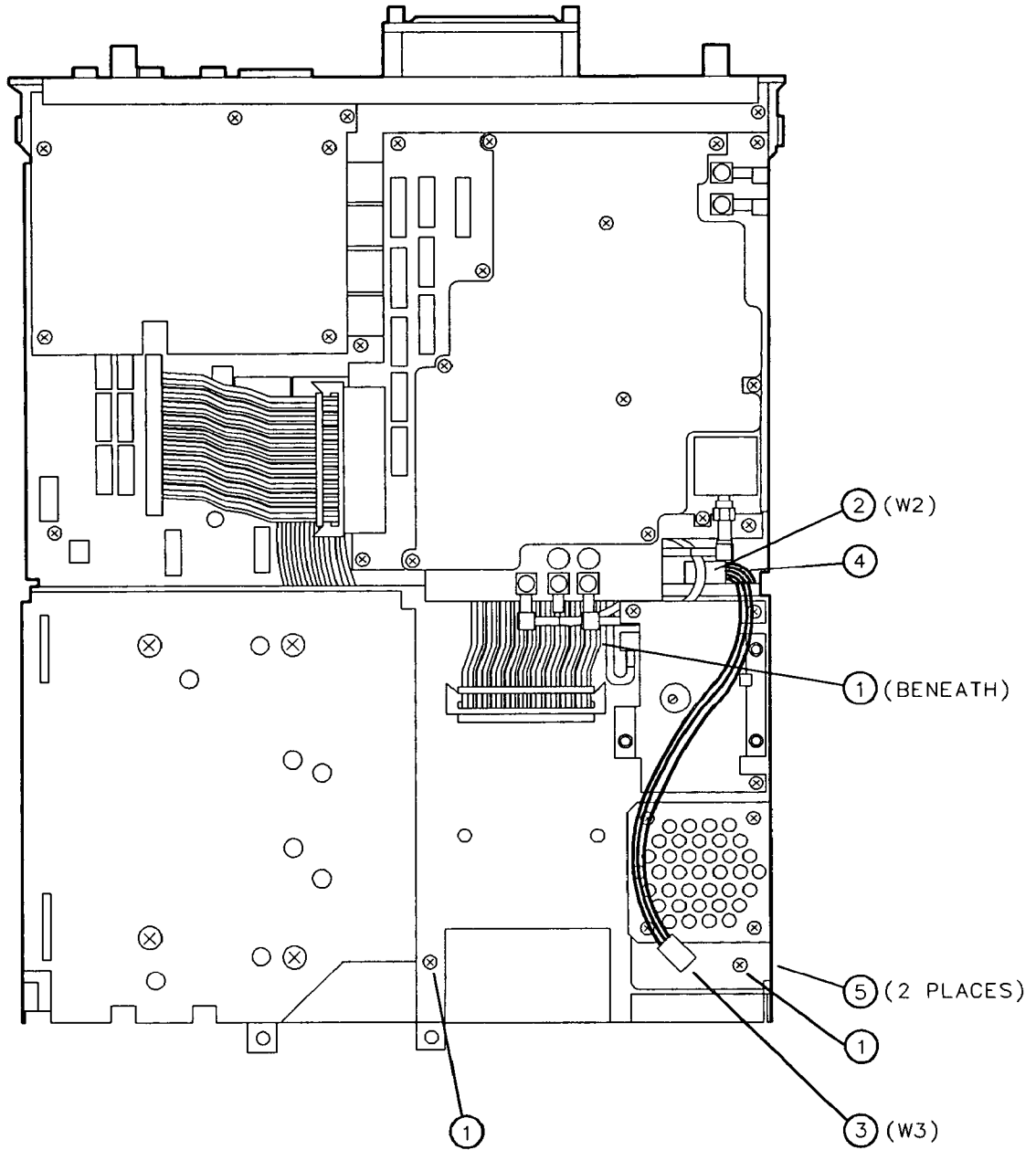


Figure 3-3. A2 Display Replacement

A2 Display

11. Remove the screw and flat washer (6) that secure the A2 Display to its enclosure (7). See Figure 3-4.
12. Slowly pull the display out of its enclosure while routing W2 and W3 through the opening in the enclosure (8).

Warning



A high-voltage potential may remain within the A2 Display assembly for some time after it has been removed from the instrument. Do not attempt to remove the post-accelerator lead from the cathode-ray tube.

13. Disconnect W2 (9) and W3 (10) from the display.

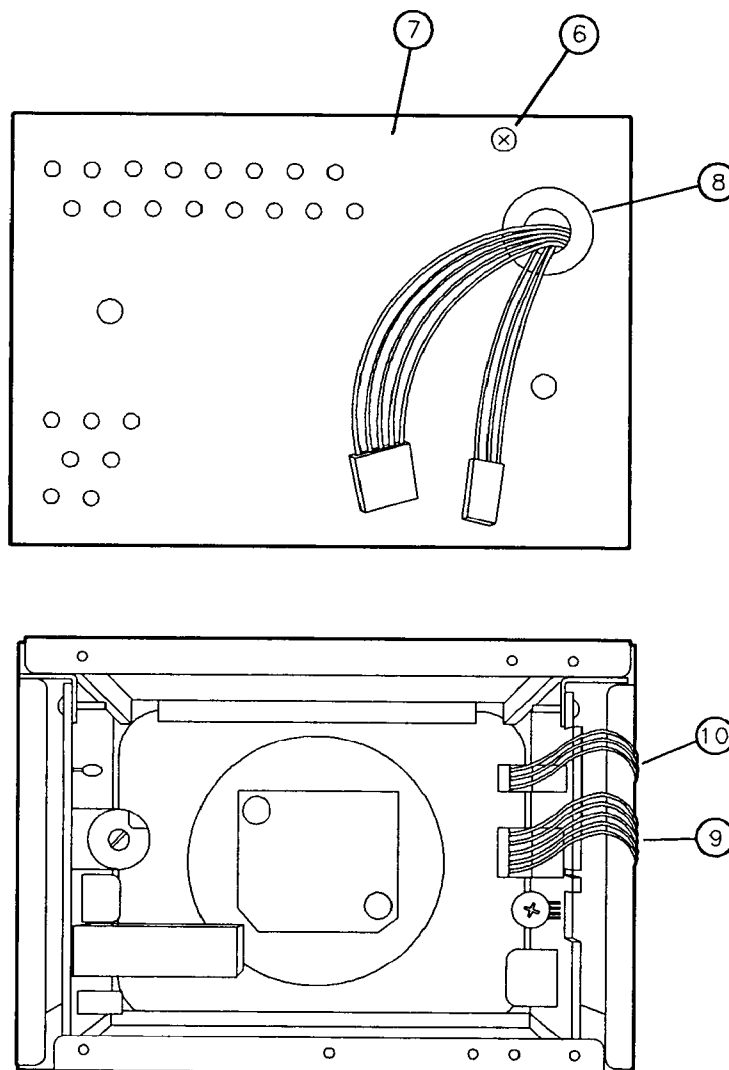


Figure 3-4. A2 Display, Rear View

Replacement

1. Connect W2 (9) and W3 (10) to the A2 Display. See Figure 3-4.

Caution



The plastic locking clip on the W3 connector (10) is fragile. Protect the connector by wrapping it with a piece of tape before pushing it through the opening (8) on the enclosure.

2. Place the display close to the front of the enclosure and route W2 and W3 out through the opening (8).
3. Slowly push the display into the enclosure while pulling W2 and W3 through the opening (8).
4. Replace the screw and flat washer (6) that secure the display to the enclosure.
5. Place the instrument on the work surface so that it is resting on its right side.
6. Position the display assembly part of the way into the front of the instrument.
7. Begin to push W2 and W3 out through the slot (4) in the instrument chassis. See Figure 3-3.

Caution



A corner of the A8 Power Supply partially blocks the slot (4) in the instrument chassis. Make sure that the display's wiring harness and connectors do not jam between the power supply and the chassis.

8. Replace the display in the instrument while carefully pulling W2 and W3 through the slot (4) in the instrument chassis.
9. Hold the display in position and replace the two screws (5) that secure the display to the left side of the instrument chassis.
10. Place the instrument on the work surface with the bottom side facing up.
11. Remove the tape protecting the plastic clip on W3 (3).
12. Connect W2 (2) to A16J8 on the A16 Processor/Video Board Assembly.
13. Replace the three screws (1) that secure the display to the chassis.
14. Replace the A1 Front-Frame assembly. Refer to the "A1 Front-Frame Assembly" replacement procedure.
15. Replace the A17 Memory Card Reader. Refer to the "A17 Memory Card Reader" replacement procedure.
16. Replace the instrument cover assembly. Refer to the "Instrument Cover" replacement procedure.

Front-End Assembly

Caution Use ESD precautions when performing this replacement procedure.



Removal

Note Use the “A24 Tracking Generator (Option 010 and 011)” replacement procedures when replacing the front-end assembly in analyzers that are equipped with A24 Tracking Generator (Option 010 or Option 011).



1. Remove the instrument cover assembly. Refer to the “Instrument Cover” removal procedure.
2. Remove the A7 Analog Interface Board Assembly (1) by disconnecting W12 and W13. See Figure 3-5.
3. Turn the analyzer over on its right side.
4. Disconnect the W10 semirigid cable (2) from the INPUT 50 Ω (*Option 001*: INPUT 75 Ω).
5. Remove the four screws (3) securing the front-end assembly to the chassis.
6. Disconnect the W9 cable (4) from A9J4, the 321.4 MHz INPUT.
7. Disconnect the W8 cable (5) from A9J5, the 600 MHz OUT.
8. Disconnect the W21 cable (6) from A9J3, the CNTR LOCK OUT.

Caution To prevent cable damage, make sure that W10 is completely disconnected *before* removing the front-end assembly.



9. Remove the front-end assembly from the analyzer.

Replacement

1. Place the analyzer on its right side.
2. Align the W10 semirigid cable (2) with the INPUT 50 Ω (*Option 001*: INPUT 75 Ω) as the front-end assembly is placed into the analyzer. Make sure that W4, the keyboard ribbon cable, is not pinched while installing the front-end assembly.
3. Hold the front-end assembly in the analyzer while replacing the four screws (3) that secure the front-end assembly to the analyzer.
4. Connect W9 (4) to A9J4, W8 (5) to A9J5, and W21 (6) to A9J3, the CNTR LOCK OUT.
5. Tighten the W10 semirigid cable (2) on the INPUT 50 Ω (*Option 001*: INPUT 75 Ω) to 10 inch-pounds.
6. Place the instrument on the work surface with the top side facing up.

7. Replace the A7 Analog Interface Board Assembly (1), reconnecting W12 and W13.
8. Replace the instrument cover assembly. Refer to the “Instrument Cover” replacement procedure.

Front-End Assembly

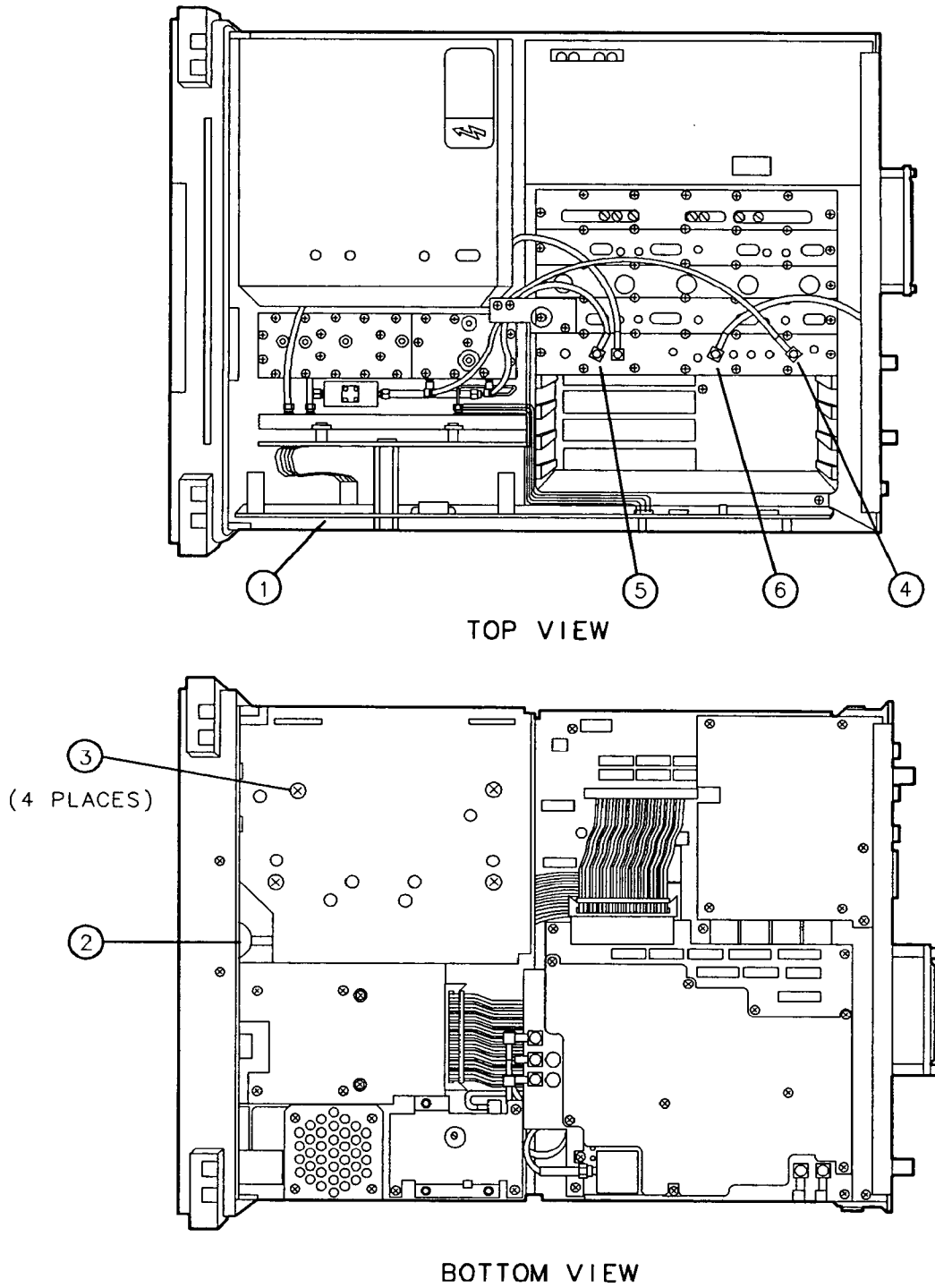


Figure 3-5. Front-End Assembly Replacement

A8 Power Supply

Removal

1. Remove the instrument cover assembly. Refer to the “Instrument Cover” removal procedure.
2. Detach the instrument rear frame from the chassis. Pull the rear frame back so that the rear section of the A8 Power Supply is completely exposed.

Note The next step requires a Torx screwdriver with a T8 bit.



-
3. Remove the four Torx screws and washers on the left side of the chassis adjacent to the A8 Power Supply.
 4. Grasp the power supply pull-tab (1), pull straight up, and remove the A8 assembly from the instrument chassis. See Figure 3-6.

Replacement

1. Lower the A8 assembly into the instrument chassis. The two alignment pins (2) on the power-supply connector provide the proper mating with the A15 Motherboard connector. Reposition the A8 assembly back or forward until it drops into place.
2. With the connectors properly aligned, push down on top of the A8 assembly close to the pull tab (3). The assembly is correctly installed when the four mounting holes on the left side of the chassis are aligned with the tapped holes on the A8 assembly.

Note The next step requires a Torx screwdriver with a T8 bit.



-
3. Replace the four Torx screws and washers on the left side of the chassis.
 4. Replace the rear frame.

Caution Wiring can be pinched between the rear frame and the edge of the A15 Motherboard. Make sure that all wiring is routed to one side of the SMB connector, A15J18, and through the notch located on the rear edge of the motherboard.



-
5. Replace the instrument cover assembly. Refer to the “Instrument Cover” replacement procedure.

A8 Power Supply

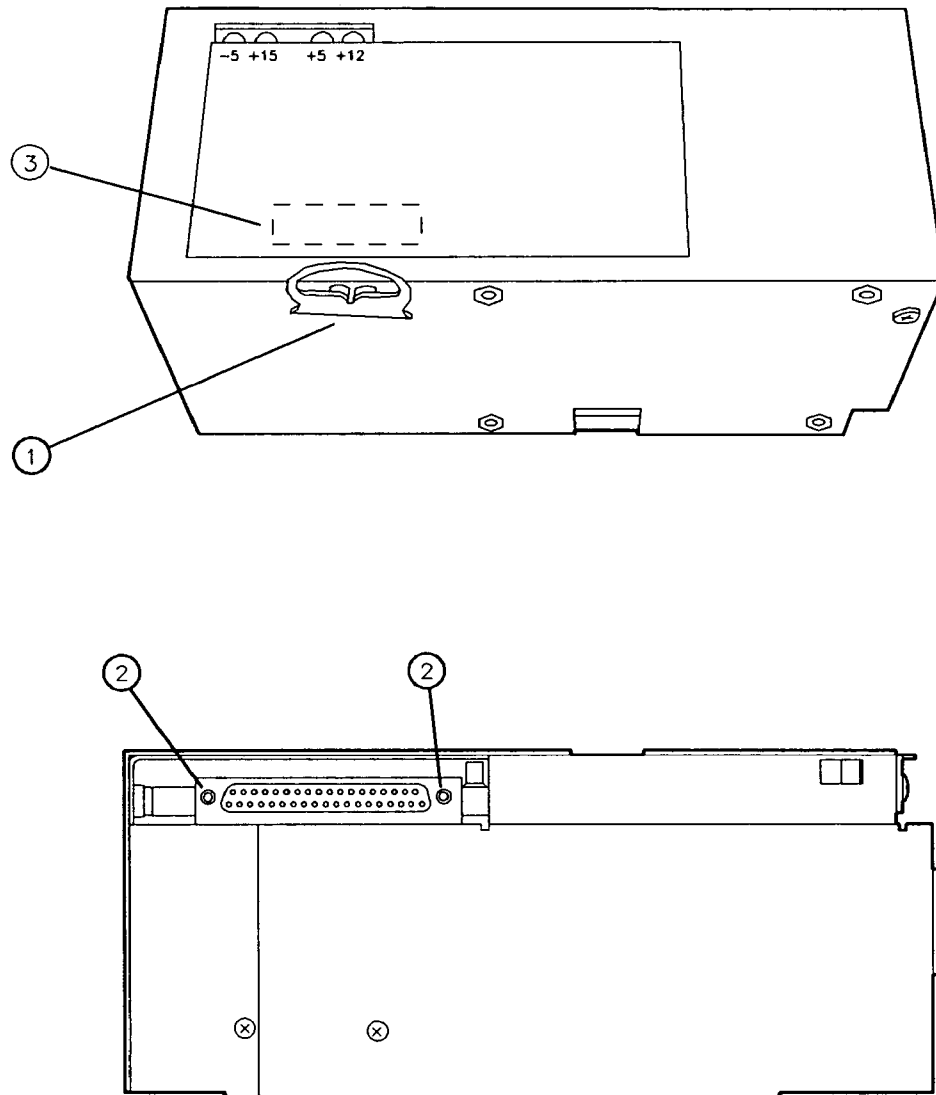


Figure 3-6. A8 Power Supply Replacement

A15 Motherboard and IF Extrusion

Caution Use ESD precautions when performing this replacement procedure.



Removal of the A15 Motherboard

1. Remove the instrument cover assembly. Refer to the “Instrument Cover” removal procedure.
2. Remove the A8 Power Supply. Refer to the “A8 Power Supply” removal procedure.

Note If there are options installed in the card cage, perform the following:



- Note how the wiring and cables to each option are dressed.
- Remove all cable ties.
- Disconnect all cables and wire harnesses attached to each option.
- Remove the option assemblies from the card cage.

-
3. Remove W7, W8, W9 and W21 (1) from the A9 Third Converter. See Figure 3-7.

Note The next step requires a Torx screwdriver with a T8 bit.



-
4. Remove the four screws and flat washers (2) that secure the A7 Analog Interface assembly to the right side of the instrument chassis.
 5. Note how the wiring attached to the A7 assembly is dressed. (This information will be used later during the A15 Motherboard assembly replacement procedure.)
 6. Pull the A7 assembly partially out of its slot and disconnect W12 and W13 (3) from the A7 assembly.
 7. Remove the A7 assembly and place it in a static-safe container.
 8. Remove the two screws and flat washers (4) on the front-end-to-IF support bracket.

A15 Motherboard and IF Extrusion

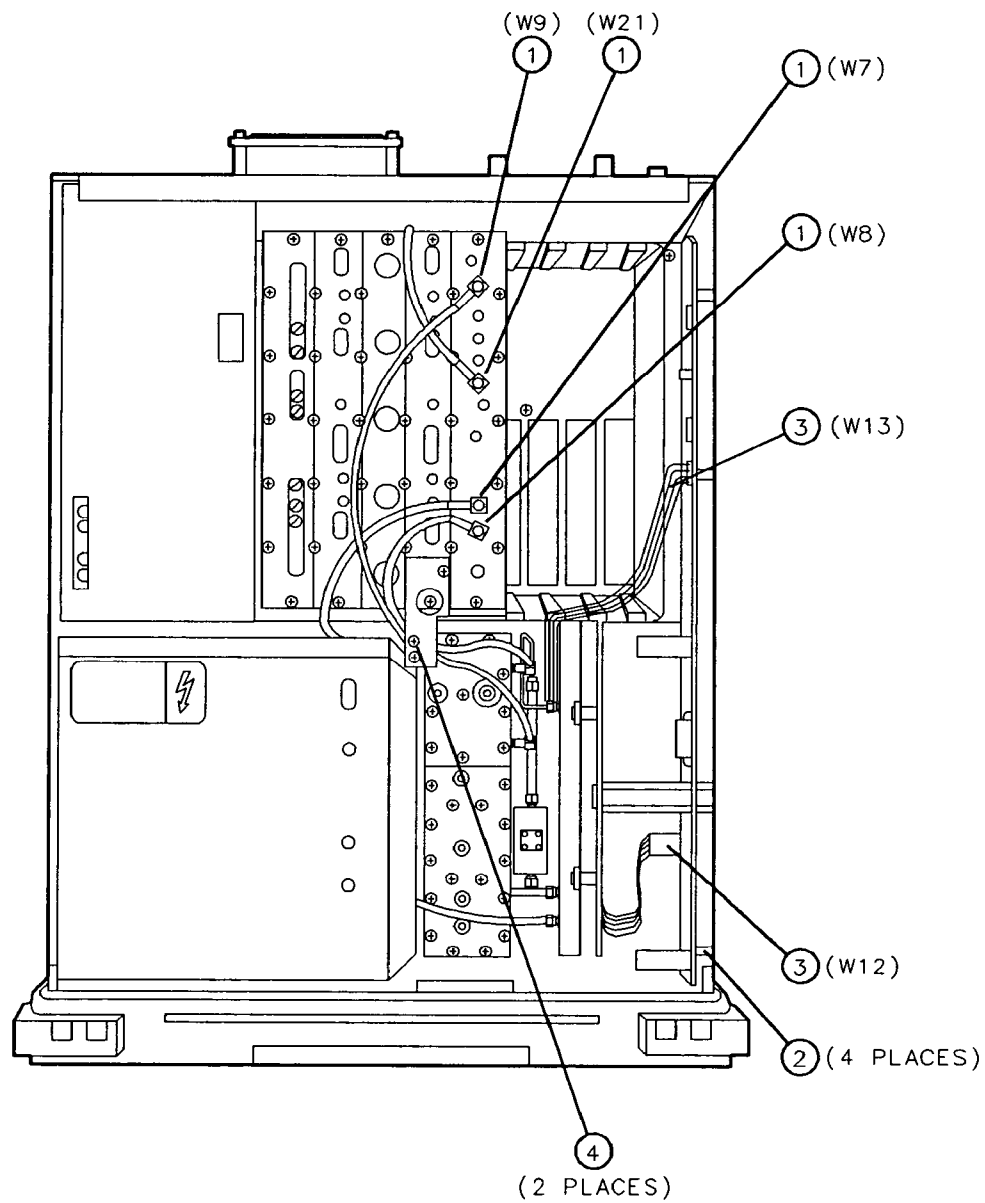


Figure 3-7. A15 Motherboard Replacement

A15 Motherboard and IF Extrusion

9. Disconnect the W19 coaxial cable (5) from A15J18 at the rear of the instrument. See Figure 3-8.
10. Disconnect the B1 Fan wire harness (6) from A15J19 at the rear of the instrument.
11. Remove the 40 screws (7) that secure the five IF board assemblies in the IF extrusion assembly.

Caution

Use the two-prong board-puller tool to remove the IF board assemblies that do not have attached covers. Traces on the printed circuit boards can be damaged if tools with sharp edges are used to remove the IF board assemblies.

12. Remove the five IF board assemblies (8) from the IF extrusion and place them in a static-safe container.
13. Remove the five screws (9) that secure the A15 Motherboard to the instrument chassis.

Caution

Do not twist the motherboard sideways while removing it from the instrument. This avoids damaging the connector on the A16 Processor/Video Board Assembly that is mated with the connector on the back side of the A15 Motherboard.

14. Pull the motherboard straight up and out of the instrument chassis. If the motherboard is difficult to remove, a slight rocking action, from front to rear, will help it disconnect from the connector on the processor/video board assembly.
15. Remove the four screws (10) that secure the card-cage bracket to the sides of the IF extrusion.
16. Turn the motherboard assembly upside down on the work surface and remove the two screws (11) that secure the card-cage bracket to the motherboard. Remove the bracket.
17. Remove the 40 screws (12) that secure the IF extrusion assembly to the motherboard.

Note

If you are replacing a defective A15 Motherboard, continue at the "Replacement of the A15 Motherboard" procedure.

18. Remove the motherboard and place it in a static-safe container.

A15 Motherboard and IF Extrusion

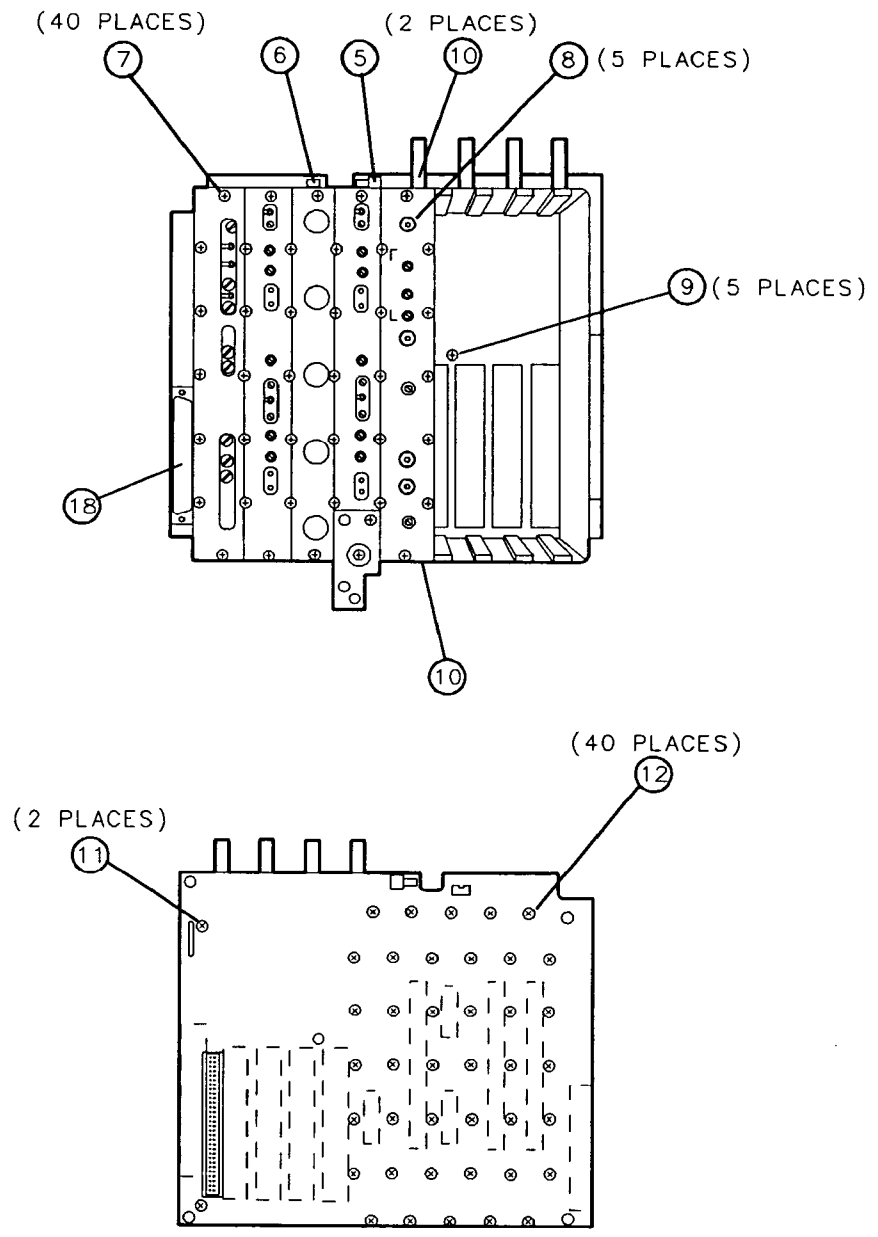


Figure 3-8. A15 Motherboard with IF Section

Removal of Individual Sections on the IF Extrusion Assembly

Caution

While separating sections of the IF extrusion, protect the top and bottom finished surfaces of each extrusion section (13) from damage. See Figure 3-9.

19. Separate individual sections of the IF extrusion, as required, by sliding them apart, one at a time. The sections fit together tightly and must be forced apart.
 20. Place the extrusion assembly on a solid, level work surface with the slots facing up.
 21. Position the assembly so that the joints (14) of the extrusion section to be removed extend out over the edge of the work surface.
-

Caution

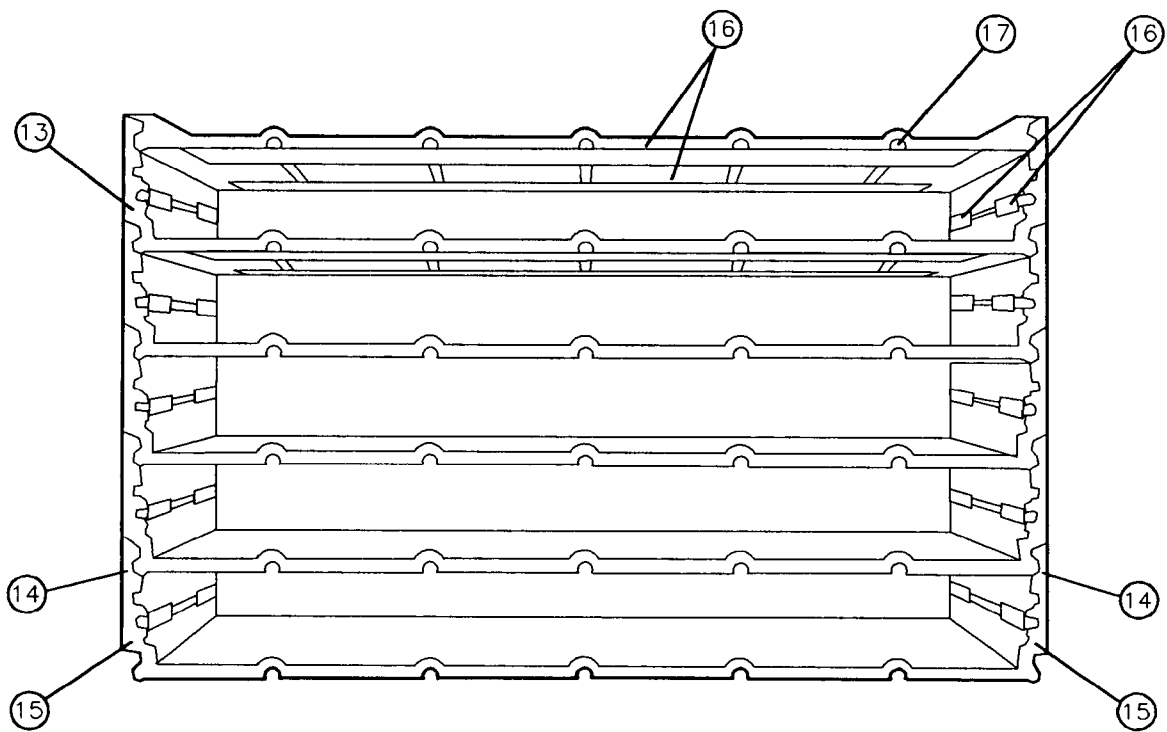
When sliding extrusion sections apart, use a soft-faced hammer to protect the surface of the extrusion assembly. If only a hard-faced hammer is available, use blocks, made of plastic or wood, to protect the extrusion surface.

22. Make sure that the portion of the extrusion assembly resting on the table is held firmly in place.
 23. Alternately strike each corner (15) of the extrusion section with a soft-faced hammer, until the extrusion sections slide apart. Strike directly on the corners with light to moderate force.
 24. Repeat the previous three steps for each extrusion section that must be removed.
-

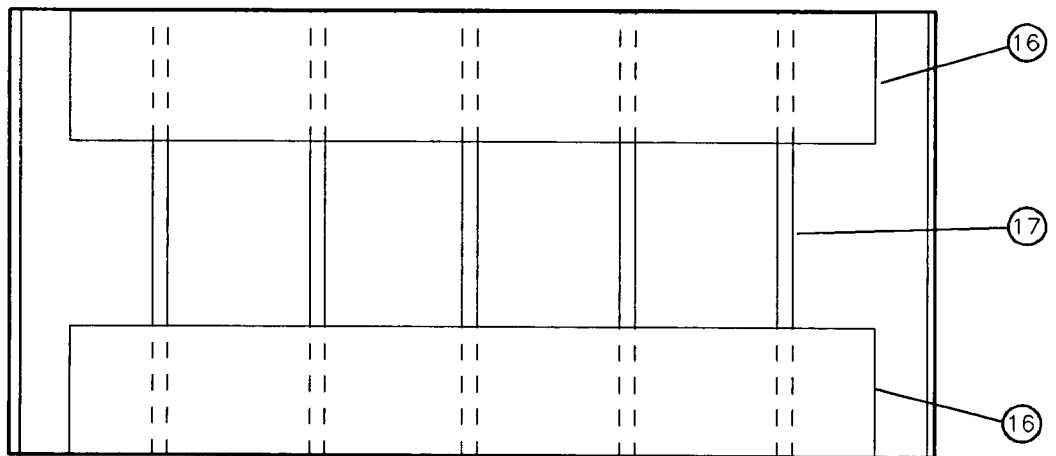
Note

Extrusion sections in early model analyzers have strips (16) of special tape, covering the top and bottom of each screw slot (17). The tape traps metal filings produced when the self-tapping screws are inserted into the screw holes in the IF extrusion assembly. Do not remove the tape.

A15 Motherboard and IF Extrusion



TOP VIEW



SIDE VIEW

Figure 3-9. IF Extrusion Assembly Replacement

Replacement of Individual Sections of the IF Extrusion Assembly

Caution

When replacing sections of the IF extrusion, protect the top and bottom finished surfaces (13) of the extrusion sections from damage. See Figure 3-9.

1. Place the incomplete extrusion assembly on a solid, level work surface with its IF board assembly slots facing up. Make sure the work surface is clean so that it will not damage the bottom surface of the extrusion assembly.

Caution

For Extrusions Used with A15 Motherboard, HP Part Number 08591-60001, Only:

New extrusion sections used with the first version of the A15 Motherboard are not supplied with the special tape (16) installed over the top and bottom portions of each open screw slot (17). The metal filings normally caught by the tape must be eliminated. Therefore, perform the following on each new extrusion section:

- Fully screw in, and then remove, a self-tapping screw for each hole on the new extrusion section.
- Carefully remove the metal filings from each slot (17) on the extrusion section with a wire brush.

2. Place a single extrusion section next to the incomplete extrusion as shown in Figure 3-10.
3. Interlock the joint (1) of the single extrusion section with the joint on the incomplete extrusion assembly.
4. Position the other joint (2) of the single extrusion section against the joint on the extrusion assembly.
5. Squeeze the two adjoining extrusion sections together at the center of each section (3). Press with both hands, using moderate force, until the joint (2) of the single extrusion section snaps into place on the extrusion assembly.
6. Repeat the previous four steps, replacing the extrusion sections one at a time, until the extrusion assembly is complete.
7. All extrusion sections must be level with each other. Place a metal straight-edge across the finished surface of the extrusion assembly and check the level of each extrusion section. Use a soft-faced hammer to reposition extrusion sections, as needed.

A15 Motherboard and IF Extrusion

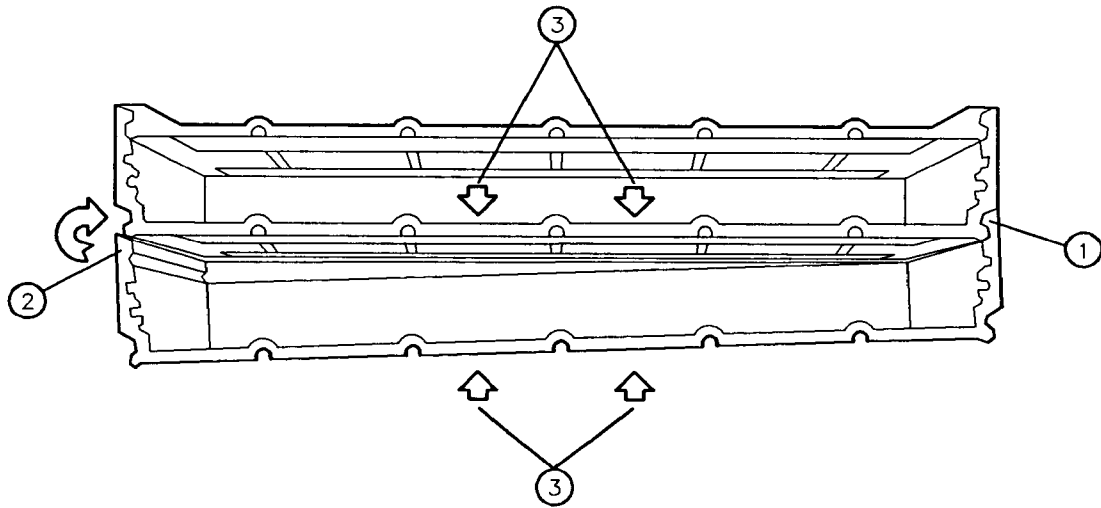


Figure 3-10. IF Extrusion Section Replacement

Replacement of the A15 Motherboard

8. Position the IF extrusion assembly on the work surface with its IF board assembly slots facing up. There is no “top” or “bottom” to the IF extrusion; it can be installed with either finished surface mated to the A15 Motherboard.
9. Make sure that the mating surfaces of the extrusion assembly and the motherboard are free of debris.

Note



The IF extrusion assembly contains one flat extrusion section. Make sure that the extrusion assembly is positioned with the flat extrusion end-section next to the A8 Power Supply connector (18). See Figure 3-8.

10. Turn the A15 Motherboard upside down and align it with the IF extrusion assembly.

Caution



The screws used on the IF extrusion produce metal filings as they are screwed into the extrusion. Make sure that the motherboard is held tightly to the IF extrusion so that no metal filings will be caught between the two mating surfaces.

11. Replace the 40 screws (12) that secure the IF extrusion assembly to the motherboard.
12. While the extrusion assembly remains upside down, remove any metal filings from the IF board assembly slots using compressed air or a long-handled brush.
13. Replace the card-cage bracket and align it with the two holes in the motherboard.
14. Replace the two screws (11) that secure the card-cage bracket to the motherboard without tightening.
15. Turn the motherboard assembly right-side up and replace the four screws (10) that secure the card-cage bracket to the sides of the IF extrusion assembly.
16. Tighten the two screws (11) on the bottom side of the motherboard.

3-24 Replacement Procedures

Caution



Do not twist the motherboard sideways while inserting its connector into the connector on the processor/video board assembly. This prevents damage to either connector.

17. Lower the motherboard assembly into the instrument chassis and align it with the connector on the processor/video board assembly.
18. If it is difficult to insert the motherboard connector into the processor/video connector, a slight rocking action, from front to rear, will help it drop into place.
19. Make sure that the holes in the motherboard assembly line up with the holes in the instrument chassis.

Note



If the holes do not line up, loosen the screws that secure the A16 Processor/Video Board Assembly to the instrument chassis. Refer to the "A16 Processor/Video Board Assembly" replacement procedure.

20. Replace the five screws (9) that secure the A15 Motherboard to the instrument chassis.
21. Replace the five IF board assemblies (8) in the IF extrusion.
22. Place each IF cover over its corresponding IF board assembly.
23. Replace the 40 screws (7) that secure the IF board assemblies in the IF extrusion.
24. Connect the B1 Fan wire harness (6) to A15J19 at the rear of the motherboard.
25. Connect the W19 coaxial cable (5) on A15J18 at the rear of the motherboard.
26. Replace the two screws and flat washers (4) on the front-end-to-IF support bracket. See Figure 3-7.
27. Lower the A7 Analog Interface Assembly part way into the A7 slot.
28. Connect W12 and W13 to the A7 assembly (3).

Note



Be sure to perform the following to ensure proper installation of the A7 assembly.

- Arrange all wiring so that it does not press against the A7 assembly.
 - Correctly align the two tabs on the bottom of the A7 assembly with the slots on the instrument chassis.
 - Take care to avoid bending the pins on the A15 Motherboard connector while positioning the A7 assembly.
 - Correctly align the A7 assembly connector with the connector on the A15 Motherboard.
-

29. Install the A7 assembly and position the W12 and W13 wiring as noted in the removal procedure.

A15 Motherboard and IF Extrusion

Note

The next step requires a Torx screwdriver with a T8 bit.



30. Install the four screws and flat washers (2) that secure the A7 assembly to the right side of the instrument chassis.
 31. Replace W7, W8, W9, and W21 (1) on the A9 Third Converter.
-

Note

If the instrument is equipped with card-cage options, perform the following:



- Replace the option assemblies in the card-cage slot that they were removed from.
 - Connect all option cables and wire harnesses as noted in the removal procedure.
 - Replace all cable ties as noted in the removal procedure.
 - Position all wiring and cables so that they do not interfere with the installation of the instrument cover.
-

32. Replace the A8 Power Supply. Refer to the “A8 Power Supply” replacement procedure.
33. Replace the instrument cover assembly. Refer to the “Instrument Cover” replacement procedure.

A16 Processor/Video Board Assembly

Before Replacing the A16 Processor/Video Board Assembly

Frequency response and cal attenuator correction constants (for the A12 Amplitude Control Board Assembly) are stored in battery-backed RAM on the A16 Processor/Video Board Assembly. Prior to removing the A16 assembly, record these correction constants using the following procedure.

Note

If you are unable to perform the following steps or the current correction constants are invalid, new correction constants must be generated *after* replacing the board assembly.

Refer to the following adjustment procedures in Chapter 2:

- “10 MHz Reference (Standard).”
- “Frequency Response.”
- “Cal Attenuator Error Correction.”
- “External ALC Error Correction (Option 010 and 011).”

If valid correction constants can be removed from analyzer memory before replacing the A16 assembly, record the correction values using the following procedures from “Backing Up Correction Constants” in Chapter 9.

1. Use the “Retrieving the Timebase and Flatness-Correction Constants” procedure to record the timebase and flatness correction constants.
2. Use the “Retrieving the A12 Step-Gain Correction Constants” procedure to record the step gain correction constants.
3. Return to this chapter and perform the removal procedure for the A16 assembly.

A16 Processor/Video Board Assembly

Caution

Use ESD precautions when performing this replacement procedure.



Removal

1. Remove the instrument cover assembly. Refer to the “Instrument Cover” removal procedure.
2. Place the analyzer on the work surface with the bottom side facing up.
3. Detach the instrument rear frame from the chassis. Pull the rear frame back so that the A16 Processor/Video Board Assembly is completely exposed.
4. Disconnect the W14 ribbon cable (1) from A16J2 and A25J4. See Figure 3-11.
5. Remove the four screws (2) securing the A25 Counter-Lock assembly.
6. Remove the A25 assembly (3).

Note

For Option 021 or 023 only:



- Remove the four screws (4) securing the A20 or A21 IO Board Assembly.
- Remove the A20 or A21 IO Board Assembly (5).

-
7. Remove the nine screws (6) securing the A16 assembly.

Caution

The A16 assembly may be damaged if it is placed on a conductive surface. Use a static-safe work station. Ensure that the assembly is not placed on any conductive material.



-
8. Remove the A16 assembly and place it in a static-safe container.

A16 Processor/Video Board Assembly

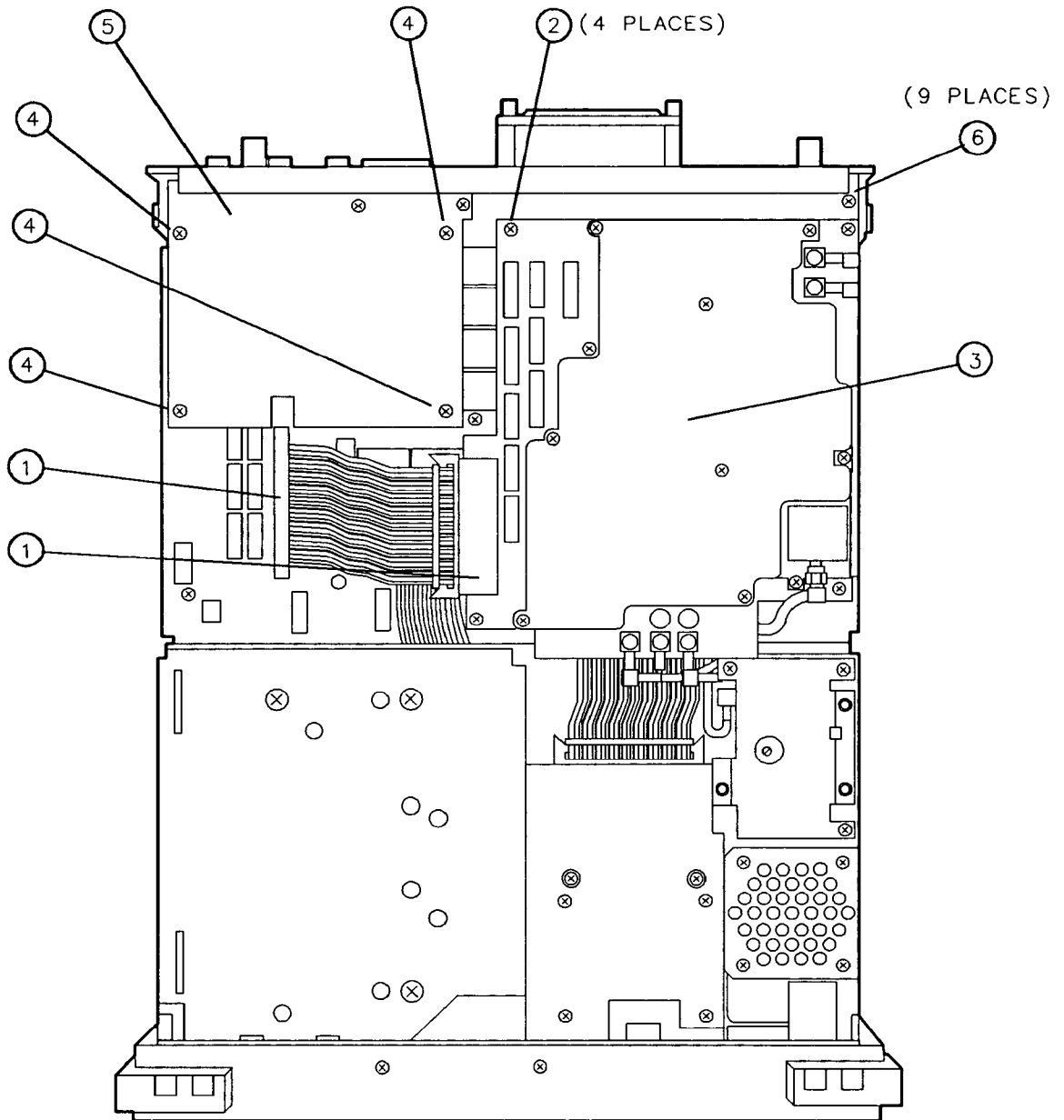


Figure 3-11. A16 Processor/Video Board Replacement

A16 Processor/Video Board Assembly

Replacement

Caution

To prevent damage to connectors A16J1 and A15J2, make sure that they are mated correctly before pushing the A16 assembly into place. Avoid twisting the A16 assembly from side to side during installation.

1. Replace the A16 Processor/Video Board Assembly.
 2. Replace the nine screws (6) securing the A16 assembly. See Figure 3-11.
-

Note

For Option 021 or 023 only:

- Replace the A20 or A21 IO Board Assembly (5).
 - Replace the four screws (4) securing the A20 or A21 IO Board Assembly.
-

3. Replace the A25 Counter-Lock Assembly (3).
 4. Replace the four screws (2) securing the A25 assembly.
 5. Connect the W14 ribbon cable (1) to A16J2 and A25J4.
-

Caution

To prevent cable and wire damage, ensure that all wiring is routed to one side of the SMB connector, A15J18, and through the notch located on the rear edge of the A15 Motherboard.

6. Replace the rear-frame assembly.
 7. Replace the instrument cover assembly. Refer to the “Instrument Cover” replacement procedure.
-

After Replacing the A16 Processor/Video Board Assembly

Note

If no valid correction constants were saved before removal of the A16 assembly, new correction constants must be generated.

- Perform the “Resetting the Analyzer Power-On Units” procedure in Chapter 9.
 - Perform the following adjustment procedures in Chapter 2 to generate new correction constants:
 - “10 MHz Reference (Standard).”
 - “Frequency Response.”
 - “Cal Attenuator Error Correction.”
 - “External ALC Error Correction (Option 010 and 011).”
 - Perform the “Instrument Recalibration after Reloading the Correction Constants” in Chapter 9.
-

A16 Processor/Video Board Assembly

If valid correction constants were saved before replacing the A16 assembly, restore the corrections to RAM memory and recalibrate the analyzer using the following procedures from “Analyzer Recovery after a A16 Memory Loss” in Chapter 9.

1. Use the “Resetting the Analyzer Power-On Units” procedure to reset the display units that appear when the analyzer is first powered on.
2. Use the “Reloading the Timebase and Flatness-Correction Constants” procedure to restore the timebase and flatness correction constants in RAM memory.
3. Use the “Reloading the A12 Step-Gain and CALTGX Correction Constants” procedure to restore the step gain correction constants in RAM memory.
4. Use the “Instrument Recalibration after Reloading the Correction Constants” procedure to recalibrate the analyzer and set it to the original default configuration settings.

A16 Processor/Video Board Firmware ROMs

Caution Use ESD precautions when performing this replacement procedure.



Removal

1. Remove the instrument cover assembly. Refer to the “Instrument Cover” removal procedure.
2. Disconnect the W14 ribbon cable from A25J4 (1). See Figure 3-11.
3. Remove the four screws (2) securing the A25 Counter-Lock assembly.
4. Remove the A25 assembly (3).
5. Note the location of the four firmware ROMs: A16U6, A16U7, A16U23, and A16U24. Refer to Figure 3-12.
6. Carefully pry the ROMs upwards using a small-blade screwdriver. Pull the ROMs from their sockets evenly so that the IC pins (1) at the rear of each ROM are not bent.

Replacement

Caution



To prevent damage to the ROMs, make sure that the ROMs are oriented correctly with the sockets on the A16 assembly. Match the notch (2) at the end of each ROM with the notch at the end of its socket. Align each ROM IC pin with the opening of its pin receptacle on the socket.

1. Position each ROM on the A16 assembly as illustrated in Figure 3-12.
2. Install each ROM by carefully pushing down on both ends of the ROM with equal pressure.
3. Replace the A25 Counter-Lock assembly (3). See Figure 3-11.
4. Replace the four screws (2) securing the A25 assembly.
5. Connect the W14 ribbon cable to A25J4 (1).
6. Replace the instrument cover assembly. Refer to the “Instrument Cover” replacement procedure.
7. Continue at the “Adjustments Required after ROM Replacement” procedure.

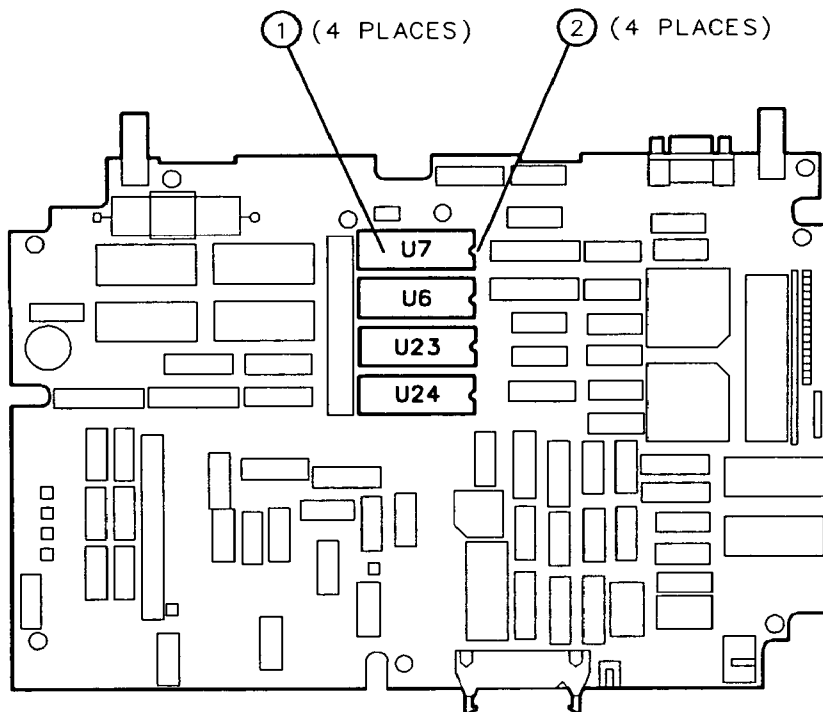


Figure 3-12. A16 Processor/Video Board Firmware ROM Replacement

Adjustments Required after ROM Replacement

1. Connect the analyzer to ac power, set the LINE switch to on, and allow the analyzer to warm up for 30 minutes.

Note Before pressing **PRESET**, the display may be blank or show other irregularities. This is normal.



2. Press **PRESET**.

Note The 3.1.90 version of firmware causes **DEFAULT CAL DATA** to be set automatically. A **FREQ UNCAL** message may appear on screen but will disappear after successful completion of the self-calibration routines.



3. Connect the CAL OUT to the RF INPUT using the CAL cable.
4. Press **CAL** and **CAL AMPTD & FREQ**. Wait for the completion of the self-calibration routines.

A16 Processor/Video Board Firmware ROMs

Note



If the error message CAL SIGNAL NOT FOUND is displayed, verify the CAL OUT is properly connected to the RF INPUT. If the cable is connected properly, press **FREQUENCY** **-37 (Hz)**, and repeat the previous step. Enabling the passcode bypasses the CAL OUT setup check performed during the self-calibration routines.

5. Press **MORE 1 of 3** **CRT HORZ POSITION** and use the front-panel knob to adjust the horizontal display position, if necessary.
6. Press **CRT VERT POSITION** and adjust the vertical display position, if necessary.
7. Press **CAL** **CAL STORE** to store the display position in nonvolatile memory.

Note



The 3.1.90 version of firmware has added a new feature, POWERON. The command, POWERON, allows the analyzer power-on state to be set to one of the following:

- **POWERON IP**. This selection performs an instrument preset at power-on.
- **POWERON LAST**. This selection recalls the last state of the analyzer before it was powered off.

After installing new firmware ROMs or enabling **DEFAULT CONFIG**, the analyzer defaults to **POWERON LAST** at power-on.

The **POWERON IP** power-on state is set at the factory and it is recommended that **POWERON IP** be used as the standard power-on state.

The **EXECUTE TITLE** function is used to select the power-on state.

8. Perform the following steps to set the power-on state to **POWERON IP**.
 1. Press **DISPLAY** **CHANGE TITLE**. If necessary, clear the current screen title by pressing the **YZ_# SPC CLEAR** and **CLEAR** softkeys.
 2. Enter **POWERON IP**; in the screen title using the front-panel keys.
 3. Press the following keys to execute the **POWERON IP**; command:

CAL
MORE 1 of 3
MORE 2 of 3
SERVICE CAL
EXECUTE TITLE

A17 Memory Card Reader Assembly

Removal

1. Remove the instrument cover assembly. Refer to the “Instrument Cover” removal procedure.
2. Place the analyzer on the work surface with the bottom side facing up.
3. Disconnect the W14 ribbon cable (1) from the A17 Memory Card Reader assembly. See Figure 3-13.
4. Remove the two screws (2) securing the A17 assembly to the chassis.

Caution



When removing the A17 assembly, be sure to slide the assembly straight backward to prevent damage to the two alignment tabs on the front of the memory-card base.

5. Remove the A17 assembly (3), gently sliding the assembly towards the rear of the analyzer and up.
6. Remove the four screws (4) securing the A17 assembly to the memory-card base and remove the A17 assembly.

Replacement

1. Place the analyzer on the work surface with the bottom side facing up.
2. Place the A17 Memory Card Reader assembly on the memory-card base.
3. Replace the four screws (4) securing the A17 assembly to the memory-card base.

Caution



The two alignment tabs on the memory-card base beneath the A17 Memory Card Reader Assembly can be easily damaged. When replacing the A17 Memory Card Reader Assembly, carefully mate the two alignment tabs with the memory-card bezel on the front-frame assembly.

4. Replace the A17 assembly (3), gently sliding the assembly along the chassis toward the memory-card reader bezel on the front-frame assembly.
5. Replace the two screws (2) securing the A17 assembly to the chassis.
6. Connect the W14 ribbon cable (1) to the A17 assembly.
7. Replace the instrument cover assembly. Refer to the “Instrument Cover” replacement procedure.

A17 Memory Card Reader Assembly

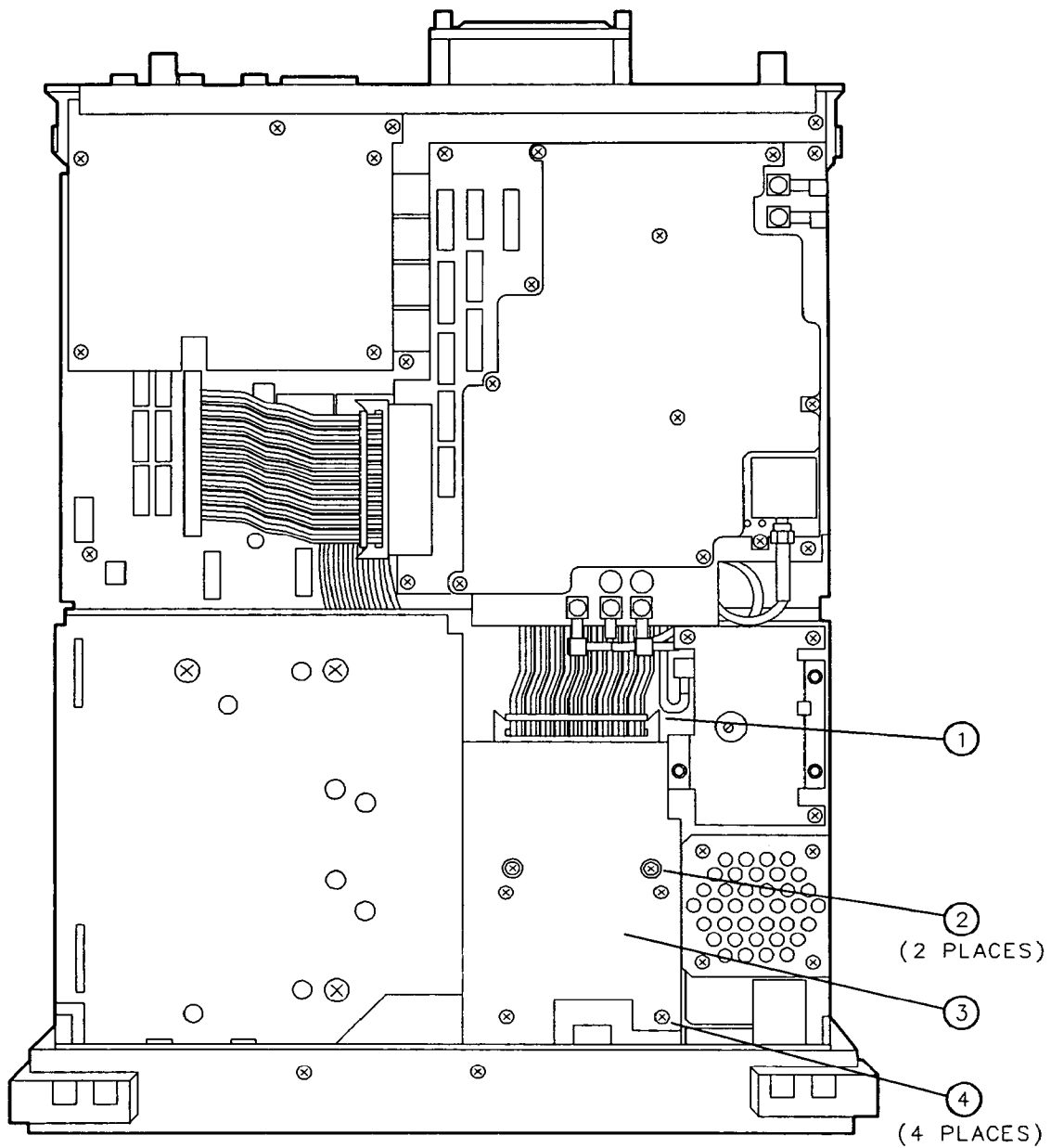


Figure 3-13. A17 Memory Card Reader Replacement

B1 Fan

Removal

1. Disconnect the analyzer from ac power.
2. Place the instrument on the work surface with the back end facing out.
3. Hold the B1 Fan Assembly in position and loosen the four screws (1) that secure the fan assembly to the rear-frame assembly. See Figure 3-14.
4. Pull the fan 2 inches away from the instrument, reach into the opening in the rear frame, and disconnect the fan wiring from A15J19 (2).
5. Remove the four screws, washers, and spacers from the fan (1).
6. Remove the fan grill (3).

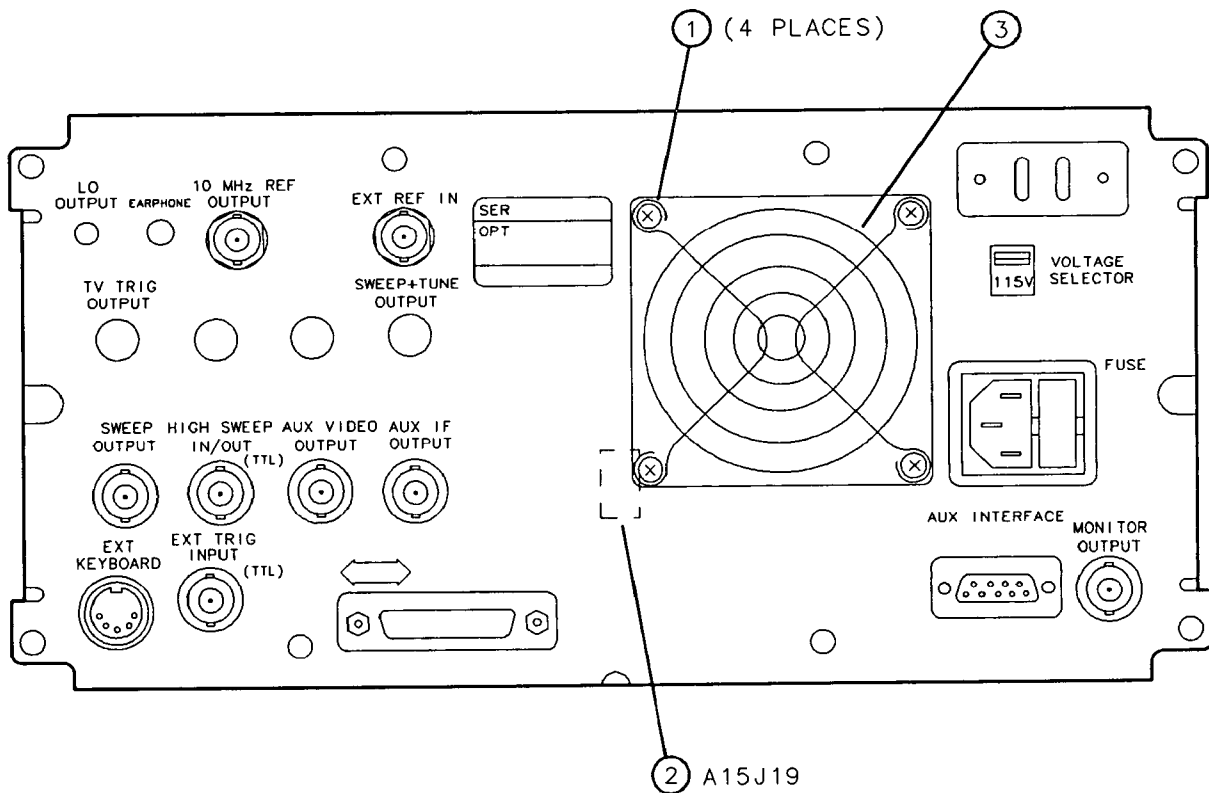


Figure 3-14. B1 Fan Replacement

B1 Fan

Replacement

Note



The direction of airflow through the instrument is important for proper cooling. The HP 8591A fan pulls air from inside the instrument and exhausts it to the outside. This is a change in airflow from that of the HP 8590A and HP 8592A.

1. Position the fan grill on the B1 Fan **(3)**. The fan label must be visible through the fan grill to make sure that the fan provides the correct airflow. See Figure 3-14.
2. Position the four spacers on the fan and replace the screws and washers **(1)**.
3. Hold the fan 2 inches away from the instrument and connect the fan wiring to A15J19 **(2)**.
4. Position the fan assembly on the instrument and tighten the four screws **(1)** that secure it to the rear frame.

BT101 Battery

Caution Use ESD precautions when performing this replacement procedure.



Warning Battery BT101 contains lithium iodide. Do not incinerate or puncture this battery. Dispose of the discharged battery in a safe manner.



Removal/Replacement

Caution The A16 Processor/Video Board Assembly may be damaged if it is placed on a conductive surface. Use a static-safe work station. Ensure that the processor/video board assembly is not placed on any conductive material.



1. Remove the A16 Processor/Video Board Assembly. Refer to the “A16 Processor/Video Board Assembly” removal procedure.
2. Remove the center pin (1) from the fastener (2) securing the nylon insulator to the A16 assembly. See Figure 3-15.

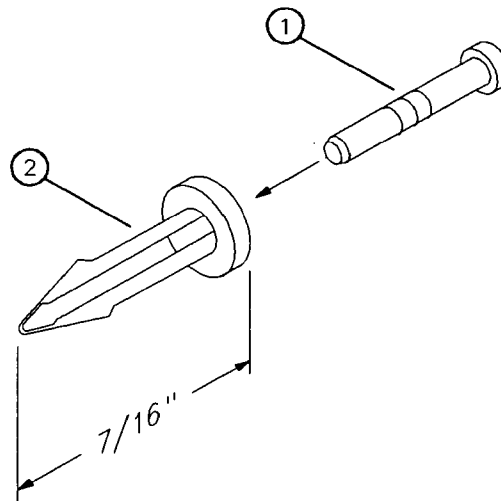


Figure 3-15. BT101 Battery Replacement

Caution Placing the bottom side of the A16 assembly on a conductive work surface without the nylon insulator can result in loss of correction data stored in RAM. Protect the A16 assembly from contact with any conductive surface.



3. Remove the nylon insulator from the bottom of the A16 board assembly.

BT101 Battery

4. Locate the battery leads on the A16 assembly, desolder them, and remove the old battery.

Note

A16C106 maintains the voltage required to back up RAM for a maximum of 8 hours. A16C106 is the large capacitor next to A16C101.



-
5. Remove the insulating tubing from the positive (+) lead of the old battery and place it on the positive (+) lead of the new battery.

Note

If the battery is installed backwards, LED DS101 comes on. DS101 is located to the right of the battery on the A16 printed circuit board.



-
6. Replace and solder the leads on the new battery, ensuring proper polarity as silkscreened on the A16 board assembly.
 7. Replace the nylon insulator on the bottom of the A16 board assembly. Insert the fastener (2) through the insulator and A16 board assembly. Then insert the center pin (1) to secure the nylon insulator.
 8. Record the battery-replacement date on the battery label located on the analyzer rear frame.
 9. Replace the A16 Processor/Video Board assembly. Refer to the “A16 Processor/Video Board Assembly” replacement procedure.

A24 Tracking Generator (Option 010 and 011)

Removal

Removing the Instrument Cover

1. Disconnect the analyzer from the ac power.

Warning



Always disconnect the power cord from the instrument before beginning this procedure. Failure to follow this precaution can represent a shock hazard which may result in personal injury.

2. Carefully place the analyzer on the work surface with the front frame facing down.
3. Remove the four screws (1) and washers attaching the instrument cover to the rear frame. See Figure 3-16.
4. Unscrew, but do not remove, the four rear-foot screws (2), using a 4 mm hex wrench.
5. Pull the instrument cover off towards the rear of the instrument.

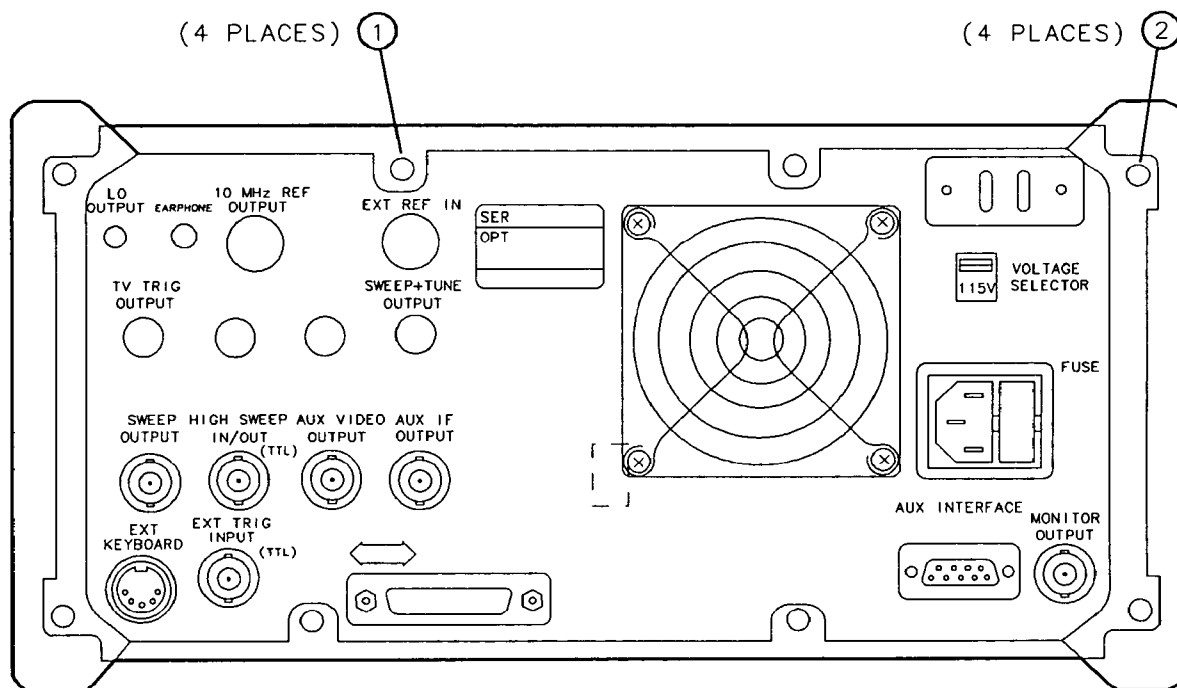


Figure 3-16. Instrument Cover Screws

Removing Memory Card Reader

6. Remove the four screws (1) securing the A25 Counter-Lock assembly. See Figure 3-17.
7. Fold out the A25 assembly so the A16 board assembly beneath it is visible.

A24 Tracking Generator (Option 010 and 011)

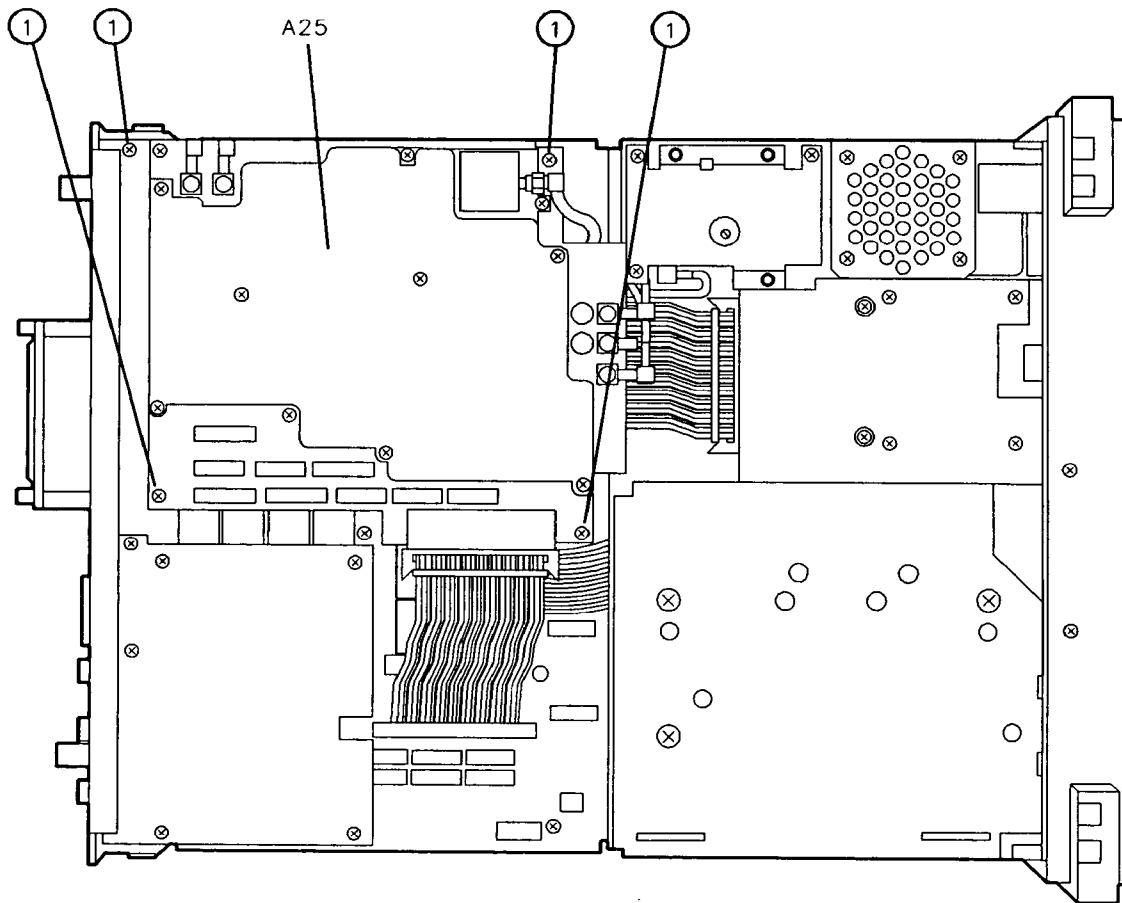


Figure 3-17. Screws Securing A25 Counter-Lock assembly

8. Disconnect ribbon cable W14 (1) from the A17 Memory Card Reader assembly. See Figure 3-18.
9. Disconnect W1 at A16J9 (2). (A16J9 is next to the ribbon cable connector that you disconnected in the last step.)
10. Fold the A25 Counter-Lock assembly back into its normal operating position. Do not pinch any cables under the assembly.
11. Replace the four screws securing the A25 assembly.

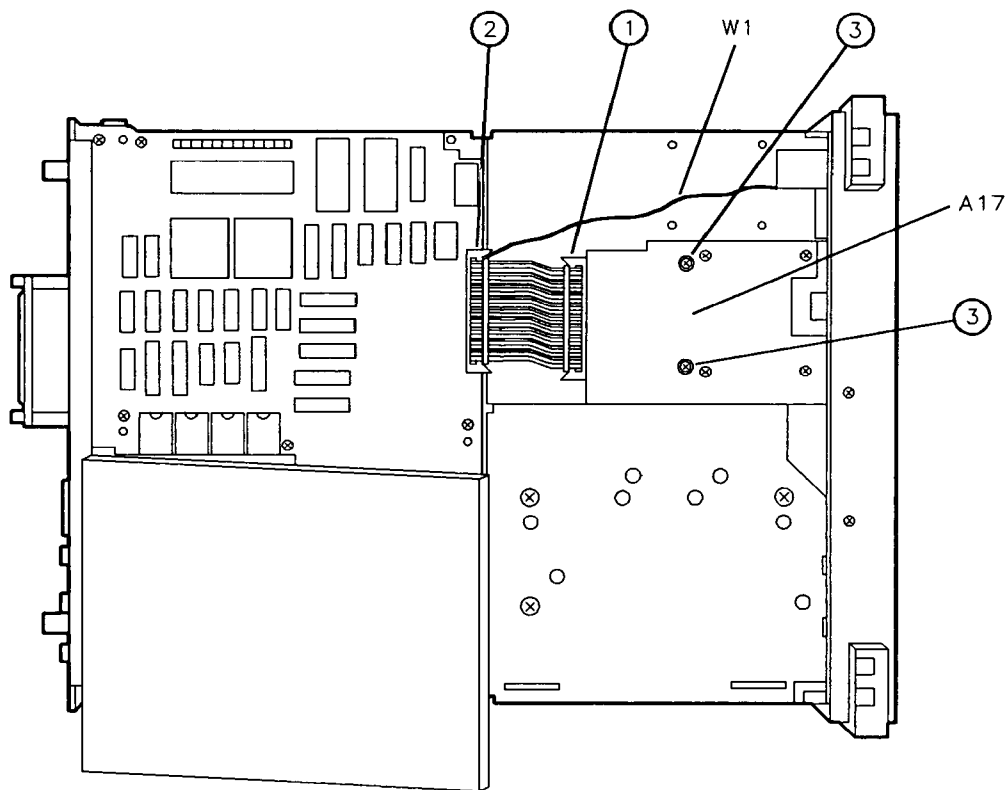


Figure 3-18. Removing the Memory Card Reader

12. Remove the two screws (3) securing the A17 assembly to the chassis.
13. Remove the A17 assembly by gently sliding the assembly towards the rear of the analyzer and up.

Caution



When removing the A17 assembly, be sure to slide the assembly straight backward to prevent damage to the two alignment tabs on the front of the memory-card base.

Moving Option Cables

14. On option instruments, remove the four screws (1) securing the speaker guard (2), and remove the speaker guard. See Figure 3-19.
15. Move the wires so that they are free from the speaker standoffs, and replace the speaker guard.

A24 Tracking Generator (Option 010 and 011)

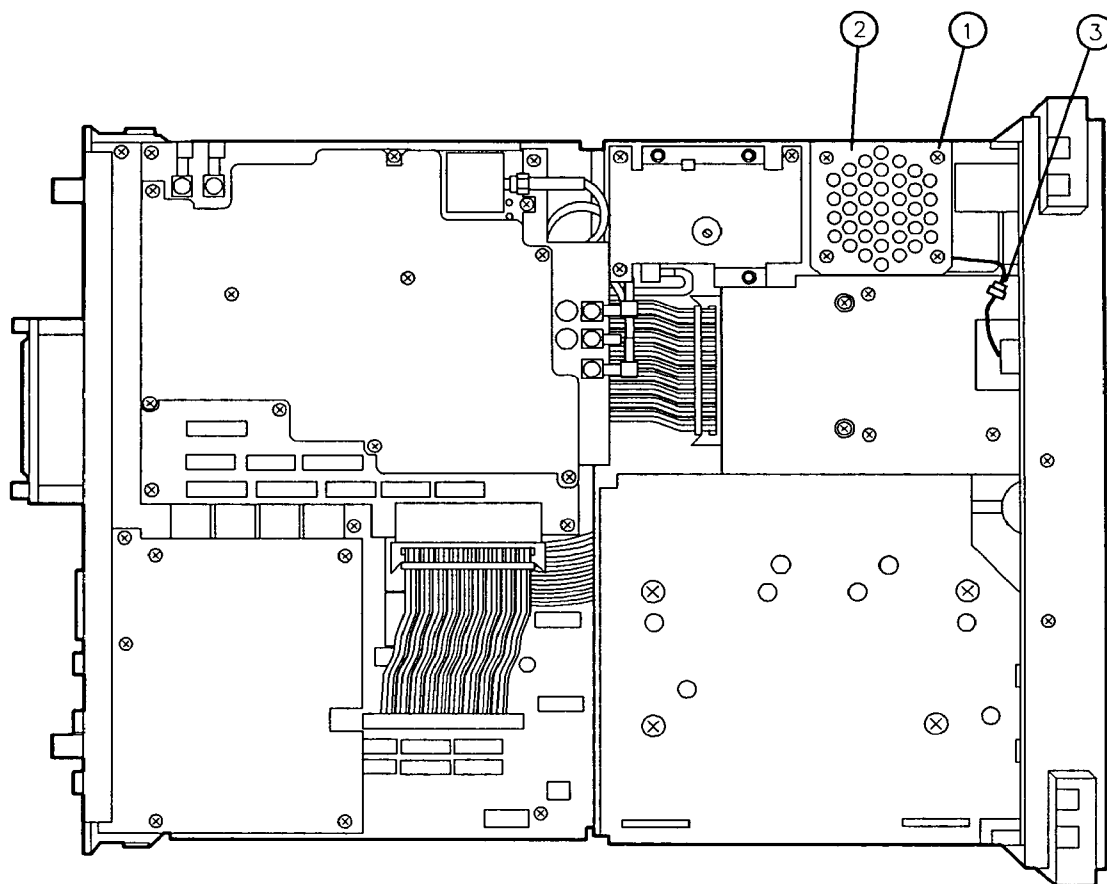


Figure 3-19. Speaker Guard

16. Disconnect the wire connector for the front panel VOL control W102 and INTEN controls W3 (3).

Removing A7 Analog Interface

17. Position the analyzer in its normal operating position.
18. Disconnect W13 (1) located at the top of the A7 assembly. See Figure 3-20.
19. Remove the three TORX screws (2) and one pozidrive screw (3) securing the A7 assembly to the analyzer's right side panel. Use a TORX #8 driver bit.
20. Remove the A7 assembly and disconnect cable harness W12 located at the bottom of the assembly.
21. Remove the SMA cables connected to the A7A1 Tracking Generator Control Board assembly.

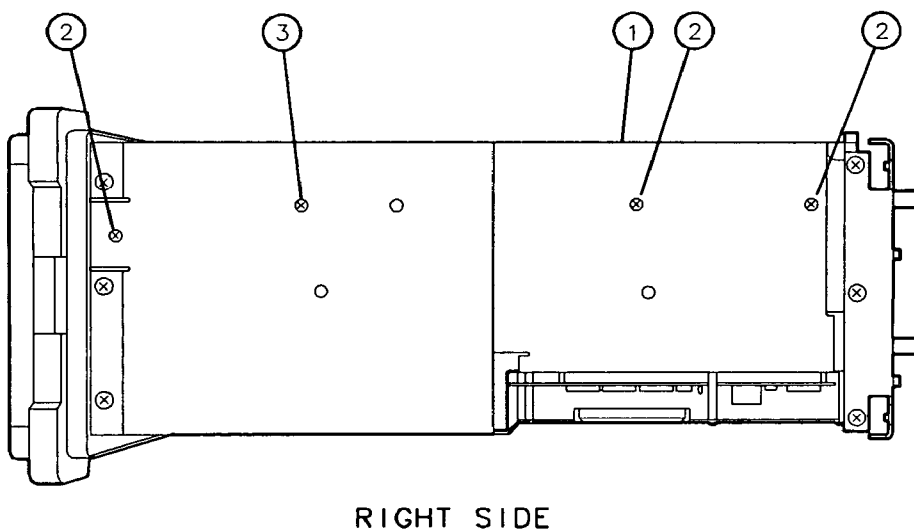


Figure 3-20. Removing the A7 Assembly

Removing RF Section

22. Disconnect the cables listed below from the IF section's A9 Third Converter assembly. See Figure 3-21. Use a piece of tape to label the cables so that you can properly reconnect them during reassembly.

- W8 A9J5 600 MHz OUT
- W9 A9J4 321.4 MHz INPUT

- 23. Use a pair of wire cutters to remove the cable tie (1) that joins the cables.
- 24. Remove the screw (2) securing the RF section to the IF section.

A24 Tracking Generator (Option 010 and 011)

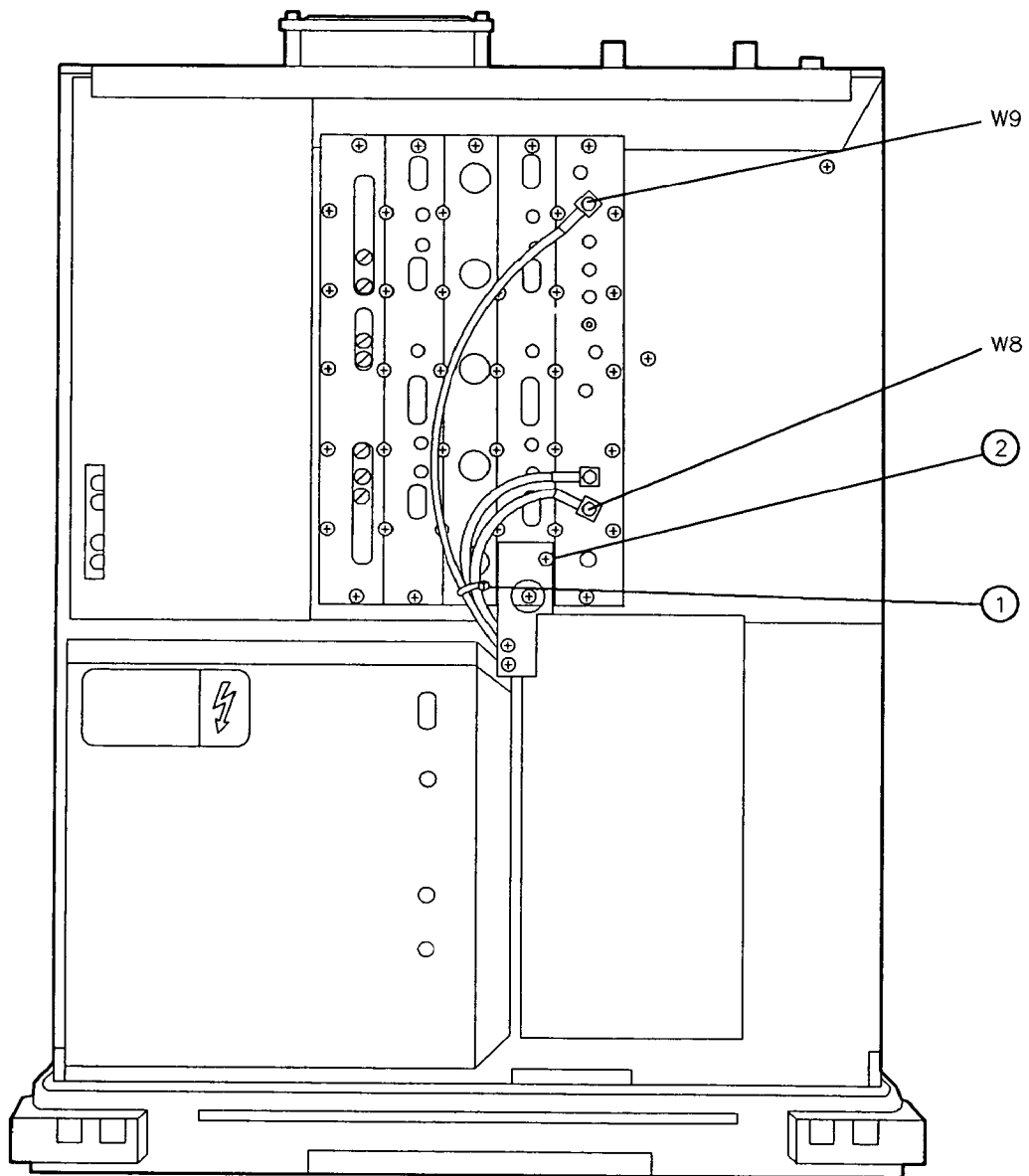


Figure 3-21. RF section Cables and Screw

25. Place the analyzer on its left side, and position the analyzer so that the front frame extends beyond the table's edge.
26. Use a 9/16-inch nut driver to remove the nut (1) securing the front-panel's CAL OUT cable. See Figure 3-22. (Use caution to avoid damaging the front panel.)

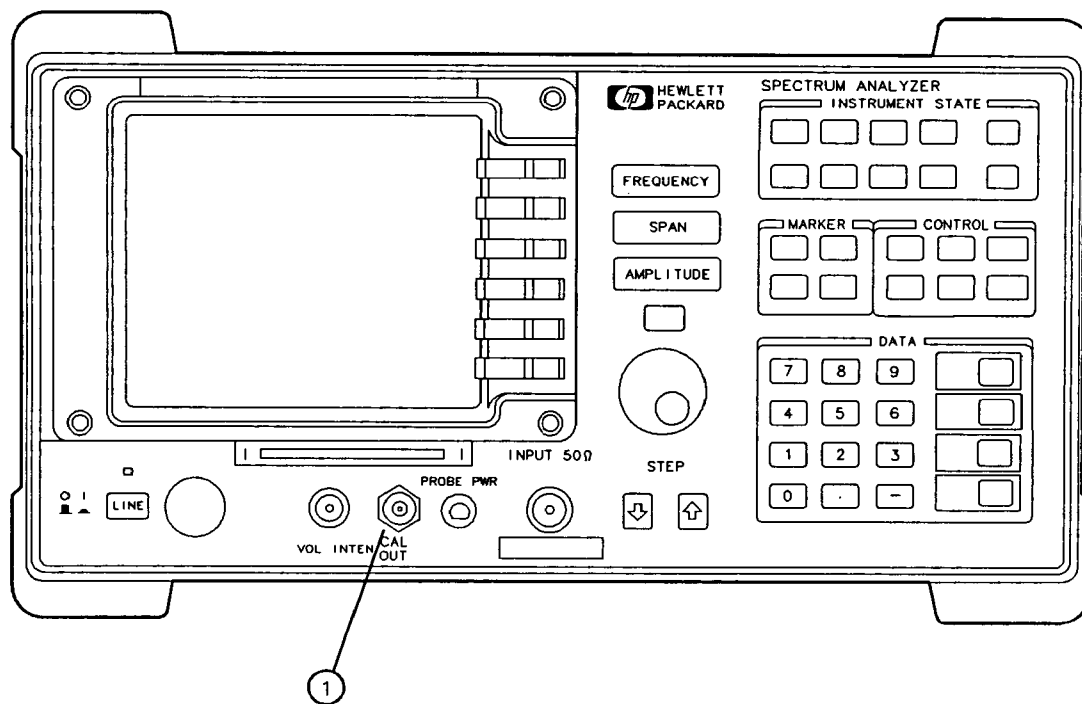


Figure 3-22. Front Panel CAL OUT Connector

27. Loosen the SMA connection of W10 (1) at the front panel RF INPUT 50Ω connector. See Figure 3-23. (*Option 001: INPUT 75Ω connector.*) Do not remove or bend the cable.
28. Remove the two screws (2) securing the bottom of the front frame to the main chassis.
29. Remove the five screws securing the front frame to the main chassis sides: two screws on the left side and three screws on the right side.

A24 Tracking Generator (Option 010 and 011)

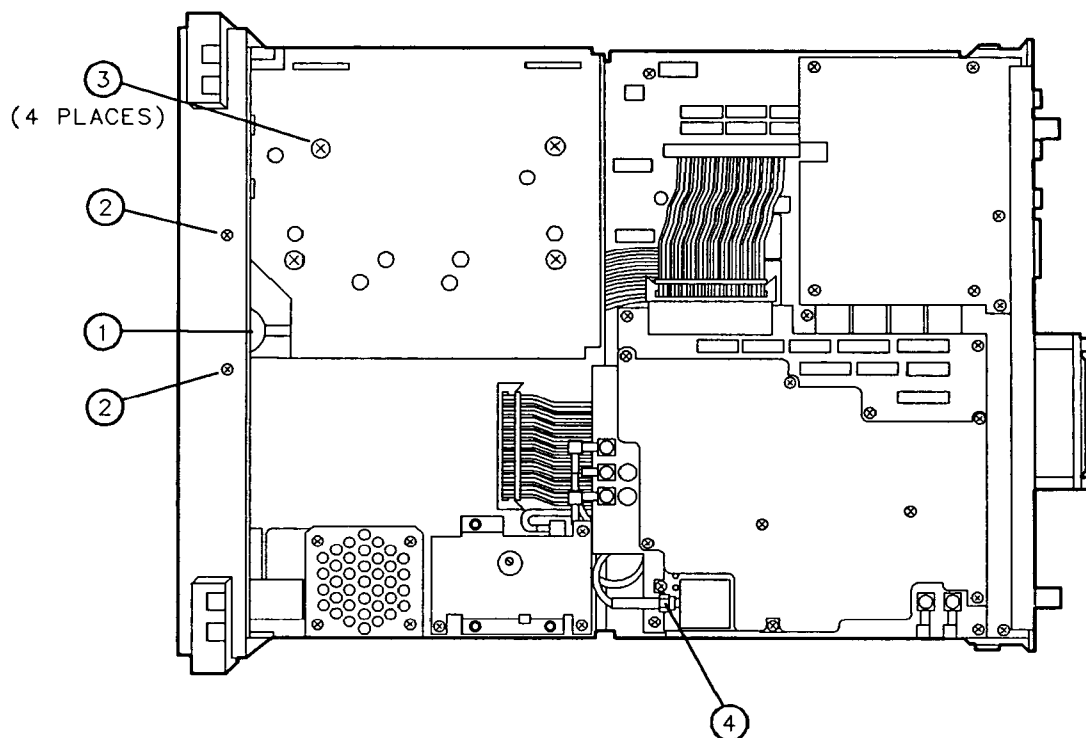


Figure 3-23. Removing the Front Frame Screws

30. Separate the front frame from the main chassis and disconnect ribbon cable W4 from the A1A1 Keyboard assembly. Use caution to avoid damaging RF INPUT cable W10 or the wires from the front panel **LINE** switch.

Caution Avoid soiling or damaging the display glass or cathode ray tube.



-
31. Remove the four screws (3) securing the RF assembly to the chassis. See Figure 3-23.
32. Disconnect the COUNT LOCK LO OUT cable (4) from the A25 board assembly. Remove the RF section from the analyzer. The COUNT LOCK LO OUT cable will be pulled through a hole in the sheet metal. Disconnect the COUNT LOCK LO OUT cable from the RF section.

Caution To prevent cable damage, make sure that W10 is completely disconnected *before* removing the RF section.



Replacement

Joining the RF and TG Assemblies

1. Remove the semirigid RF INPUT cable W10 (1) from the RF section. See Figure 3-24.

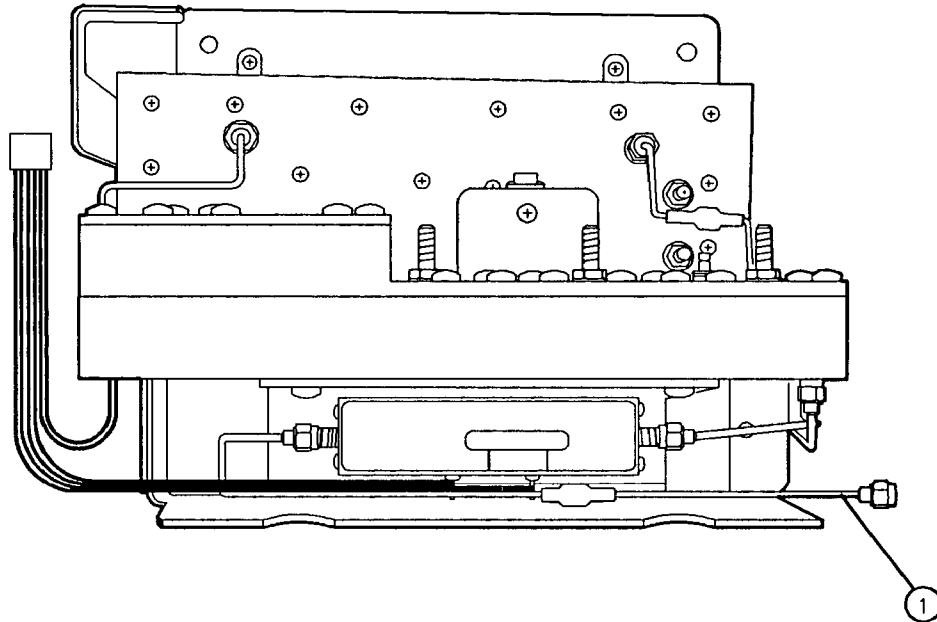


Figure 3-24. Removing the Semi-Rigid Cable W10

2. Connect the black RF OUT cable W31 to the COUPLED AC connector on the TG assembly's attenuator. See Figure 3-25. Connect the end of the cable that does not bend 90°.
3. Make sure the gray SMA cables are routed as shown in the figure.

A24 Tracking Generator (Option 010 and 011)

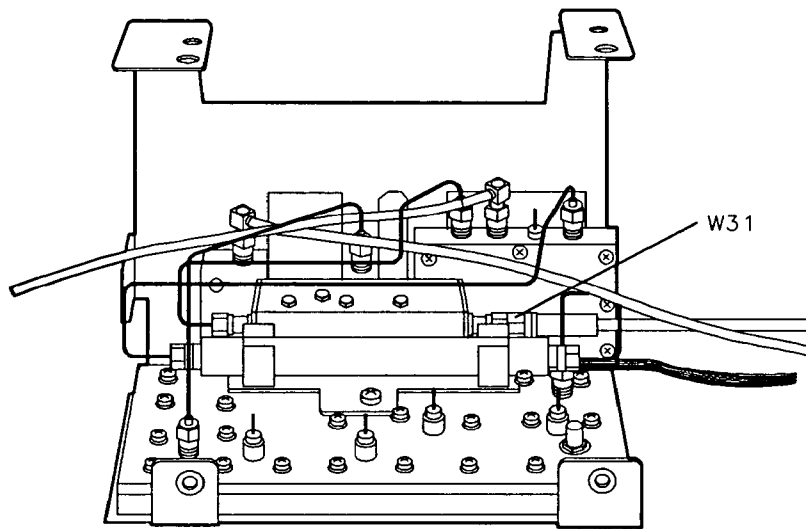


Figure 3-25. Attaching RF OUT Cable W31

4. Place the analyzer's RF assembly next to the TG assembly as shown in Figure 3-26.
5. Locate two cables from the rear of the RF assembly and one cable (identified by yellow tape near its connector) from the rear of the TG assembly. Route these cables over the top brace (1) on the RF assembly. Location (2) on the TG assembly should rest on top of location (3) on the RF assembly.

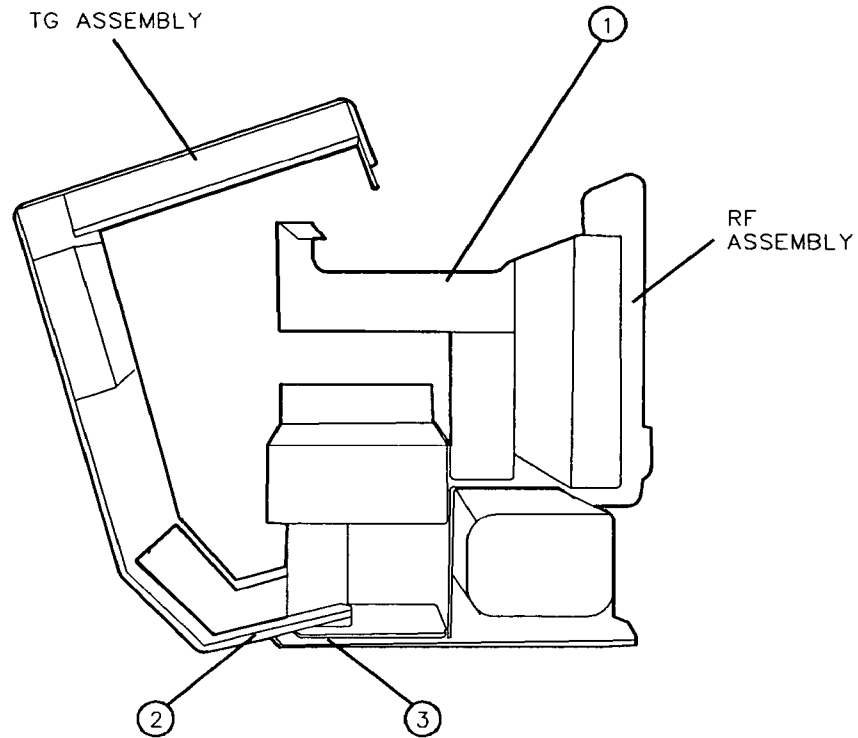


Figure 3-26. Joining the Tracking Generator and RF Assemblies

6. Bring the tops of the two assemblies together. See Figure 3-27. Do not pinch any cables.
7. While holding the two assemblies together, install semirigid cable W27 (1). The cable connects the tracking generator's LO INPUT CONNECTOR J2 to the RF assembly's TRACK GEN LO OUT connector.
8. Route all cables as shown in Figure 3-28.

Caution



Use caution to avoid bending the cable or damaging the connector's pins or threads.

A24 Tracking Generator (Option 010 and 011)

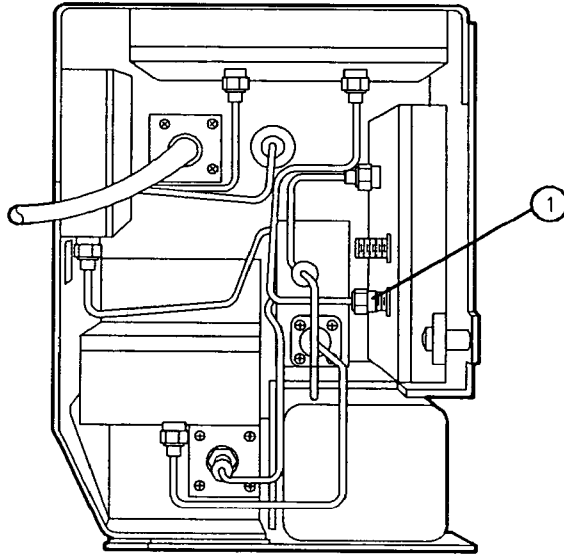


Figure 3-27. Front-End Assembly (Front View)

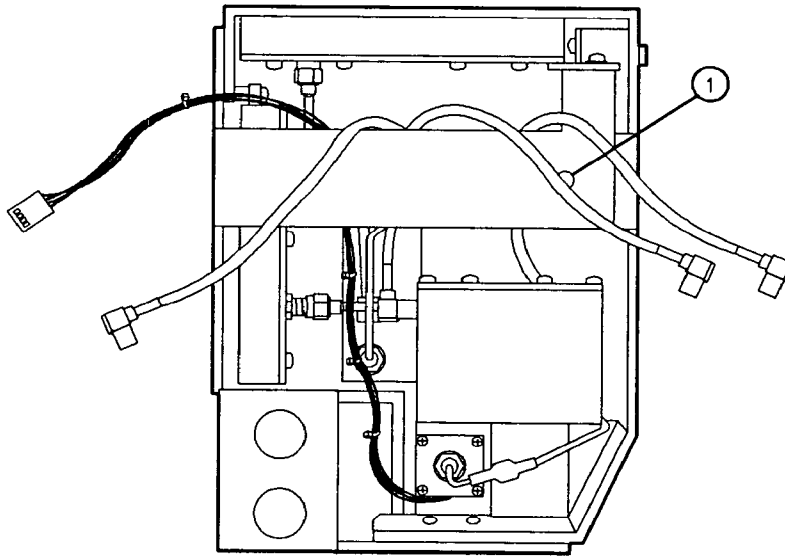


Figure 3-28. Front-End Assembly (Rear View)

9. Secure the TG assembly to the RF assembly using one screw (1) shown in Figure 3-28. Secure the assemblies using two screws (1) shown in Figure 3-29.

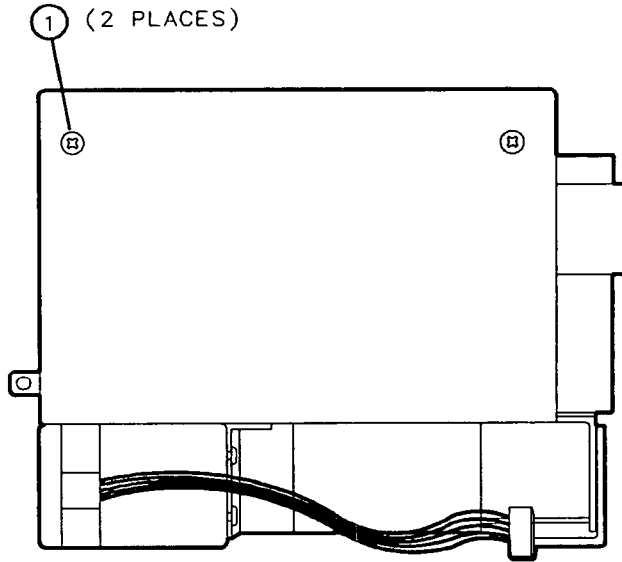


Figure 3-29. Screws Securing Sides of Assemblies

10. Secure the bottoms (1) of the TG and RF Assemblies using two screws. See Figure 3-30.

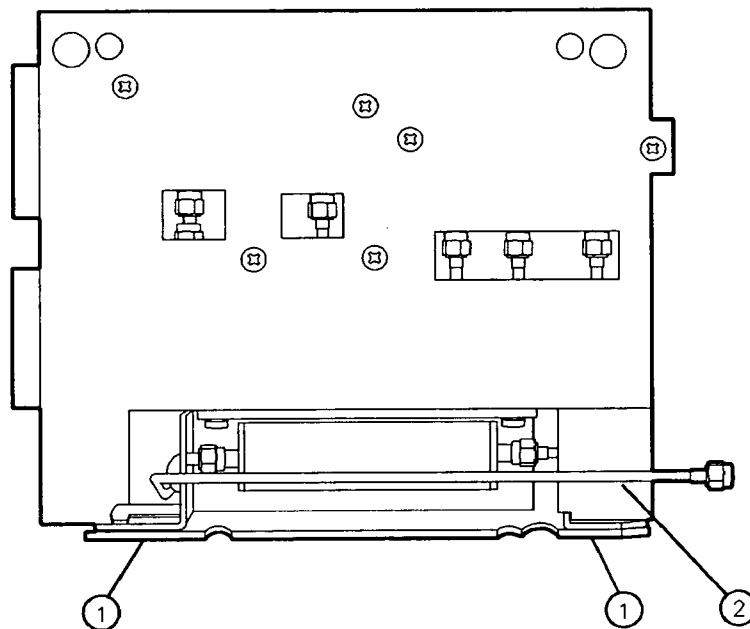


Figure 3-30. Screws Securing Bottoms of Assemblies

11. Install the semirigid RF INPUT cable W10 (2) to the Front-End assembly as shown in Figure 3-30.

A24 Tracking Generator (Option 010 and 011)

12. Connect the counter lock cable to the RF section's COUNT LOCK LO OUT connector (1). See Figure 3-31. Be sure to route the cable as illustrated in the figure.

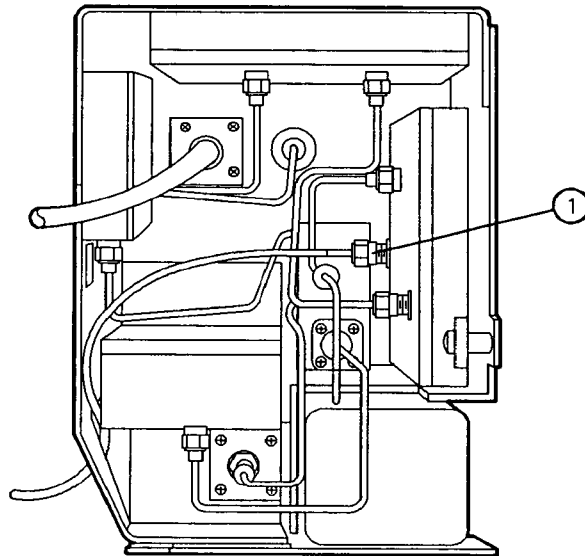


Figure 3-31. Connecting the Counter Lock Cable

Positioning the Front-End assembly

1. Place the new Front-End assembly in the analyzer as illustrated in Figure 3-32.

Caution



When placing the Front-End assembly in the analyzer, avoid damaging any cables. Slide the assembly into position from the front of the analyzer. Do not lower the assembly into its position.

2. Secure the Front-End assembly to the IF section with a screw (1).

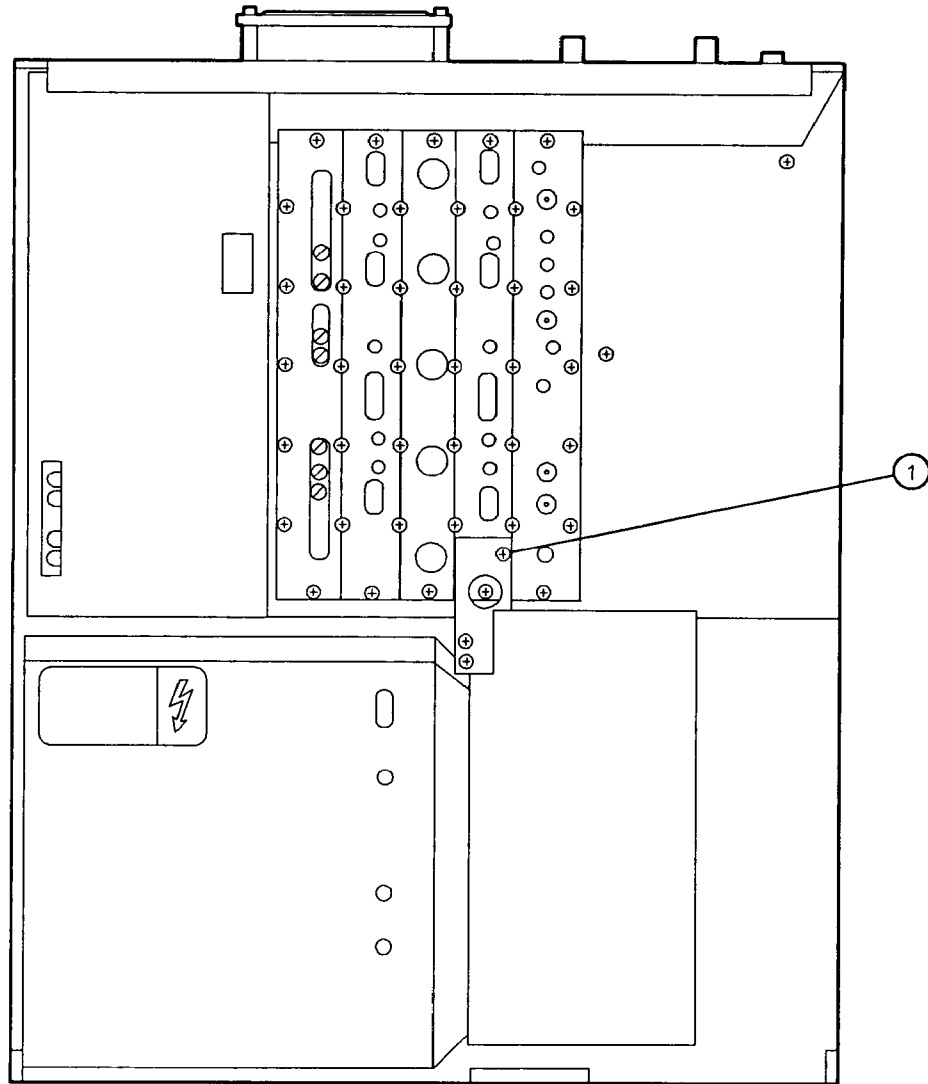


Figure 3-32. Placing the Front-End Assembly in the Analyzer

3. Secure the Front-End assembly to the analyzer using four screws (1). See Figure 3-33.

A24 Tracking Generator (Option 010 and 011)

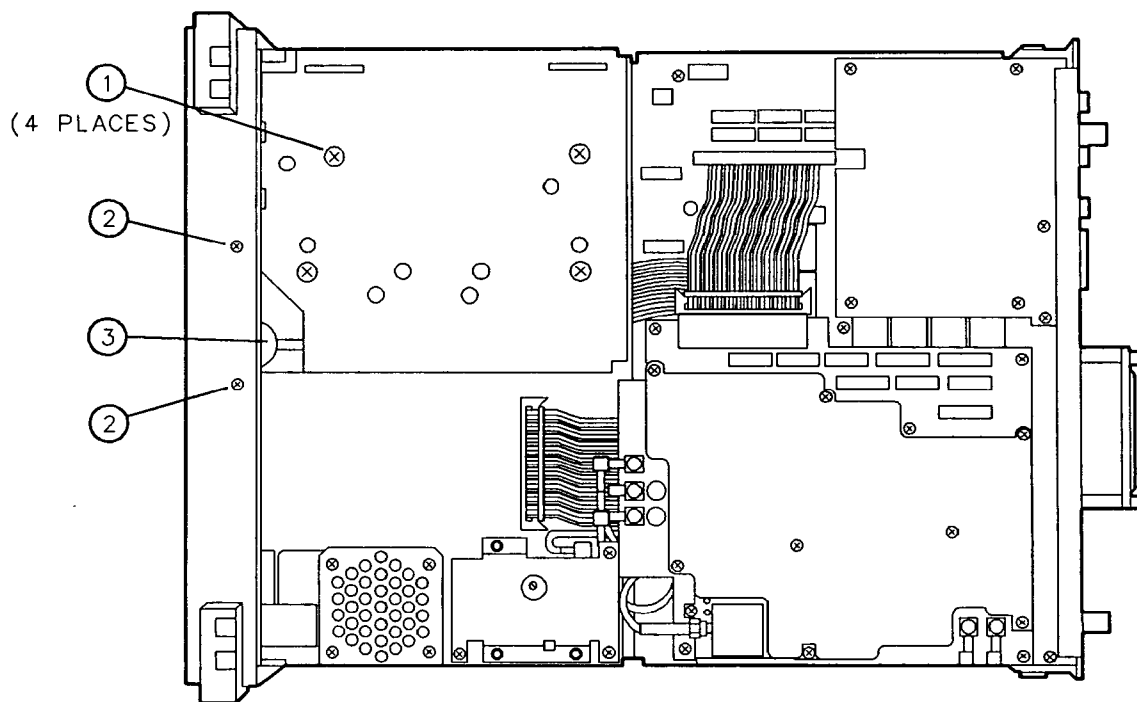


Figure 3-33. Securing the Front-End Assembly in the Analyzer

Replacing A1 Front-Frame

4. Lay the wire harness and SMA cables coming out of the front of the Front-End assembly along the right side of the assembly.
5. Connect ribbon cable W4 to the front-frame assembly.
6. Carefully place the front-frame assembly onto the analyzer while guiding the RF INPUT cable W10 onto its front-panel connector. The black RF OUT cable W31 should be routed as shown in Figure 3-34.

Caution



Use caution to avoid bending semirigid cable W10. Make sure that the cables attached to the front frame are not pinched between adjacent assemblies.

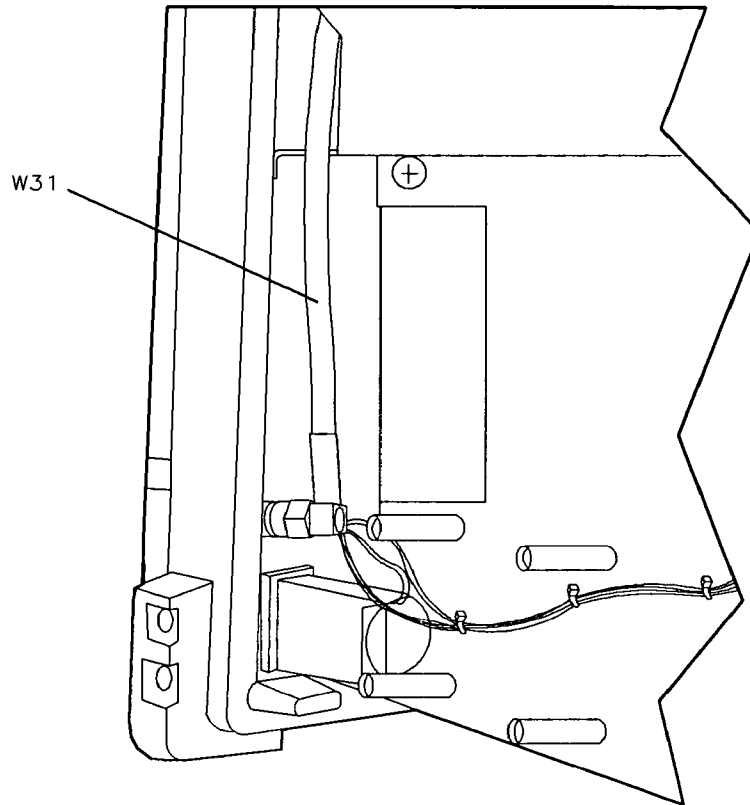


Figure 3-34. Position of W31 (Inside Front Cover)

7. Replace the five screws securing the front frame to the main chassis sides; three screws attach on the right and two screws attach on the left.
8. Replace the two screws (2) securing the bottom of the front frame to the main chassis. See Figure 3-33.
9. Tighten cable W10's connector (3) on the front-panel INPUT 50Ω connector.
10. Use a 9/16-inch nut driver to secure the CAL OUT cable to the front panel. (Use caution to avoid damaging the front panel.)
11. Connect the black RF OUT cable W31 to the new front panel RF OUT connector. Route W31 along the bottom edge of the frame as shown in Figure 3-32.

Replacing A17 Memory Card Reader (Option 003)

12. Place the analyzer on its right side frame.
13. Route and connect the wires as shown in Figure 3-35. Connect the front-panel **LINE** switch wire harness to A16J9 (1).
14. Install the A17 assembly by gently sliding the assembly along the chassis toward the memory-card reader bezel on the front-frame assembly. Make sure that no wires are pinched under the A17 assembly.

A24 Tracking Generator (Option 010 and 011)

Caution



The two alignment tabs on the memory-card base beneath the A17 Memory Card Reader assembly can be easily damaged. When replacing the A17 Memory Card Reader assembly, carefully mate the two alignment tabs with the memory-card bezel on the front-frame assembly.

15. Secure the A17 assembly using two screws (2).
16. Connect the ribbon cable W14 (3) to the A17 assembly.
17. Connect the COUNT LOCK LO OUT cable (4) to the A25 board assembly.

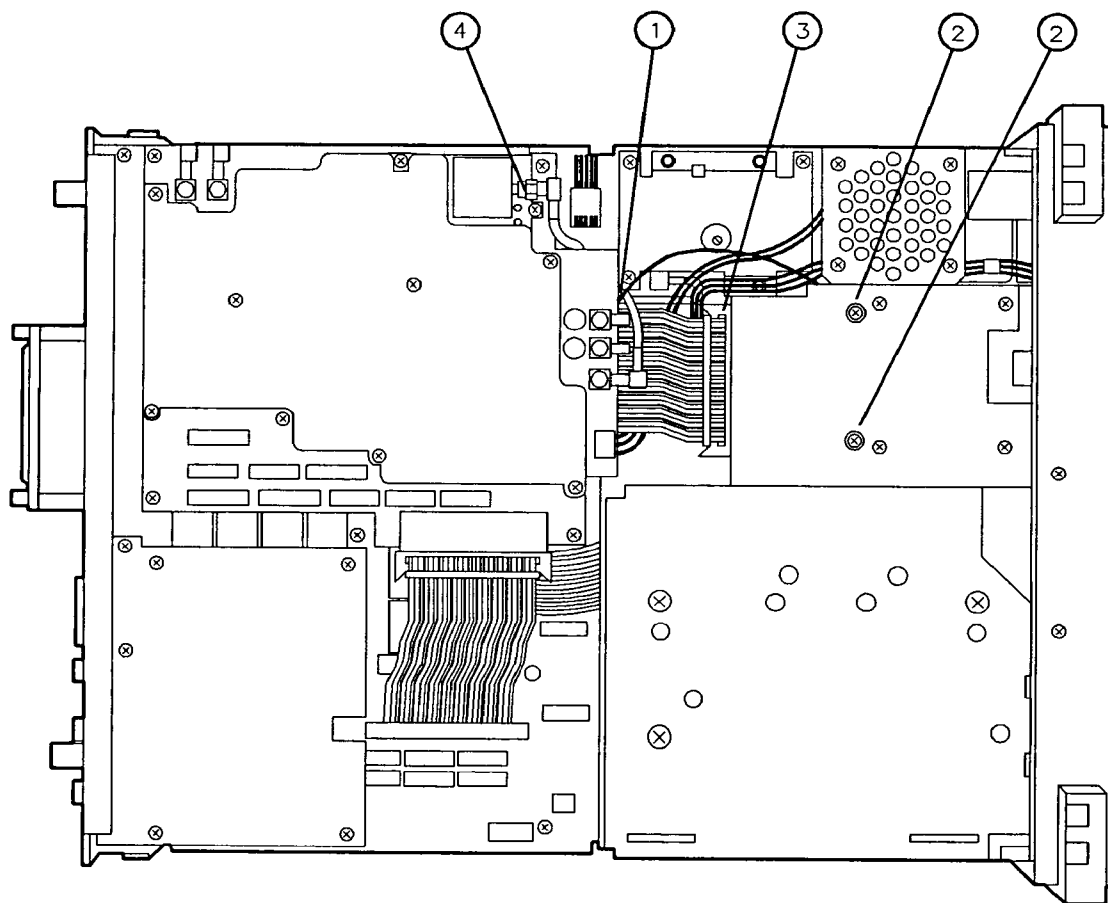


Figure 3-35. A17 Memory Card Reader

Reconnecting Cables and Wires

18. Place the analyzer in its normal operating position. Connect the cables listed below to the IF section's A9 Third Converter assembly. See Figure 3-36.

W8 A9J5 600 MHz OUT
W9 A9J4 321.4 MHz INPUT

19. Use a cable tie (1) to bind the cables connecting to the A9 assembly.

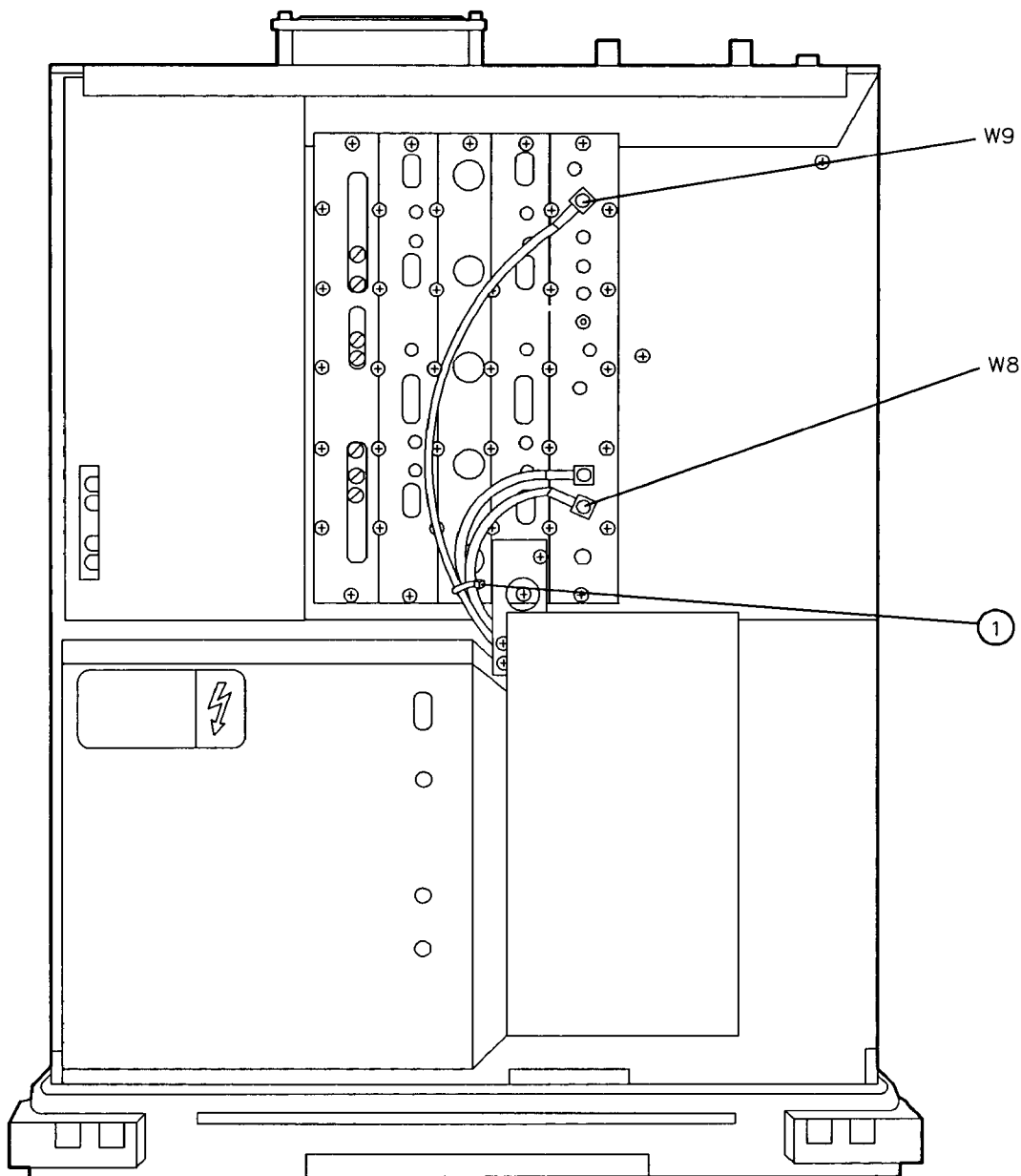


Figure 3-36. Connecting Cables to A9 Third Converter

Replacing the A7 Analog Interface

20. Connect cable harness W12 to the bottom of the A7 assembly.
21. Locate the cable harness and SMA cable coming from the front of the Front-End assembly. The SMA cable has black tape near its connector. Connect the cable harness to A7A1J1 (1). See Figure 3-37. Connect the SMA cable to A7A1J6 (2) and route the cable as illustrated in the figure. Do not route the SMA cable over the A7 or A7A1 board assemblies. This could result in a pinched cable when the instrument cover is replaced.

A24 Tracking Generator (Option 010 and 011)

22. Secure the A7A1 Tracking Generator Control assembly to the A7 assembly using four screws (3).
23. Locate the SMB snap-on cable coming from the back of the Front-End assembly that has yellow tape near its connector. Connect this cable to A7A1J2 (4).
24. Connect rear-panel External Leveling cable W34 to A7A1J3 (5). No cables are connected to A7A1J4 or A7A1J5 (6).

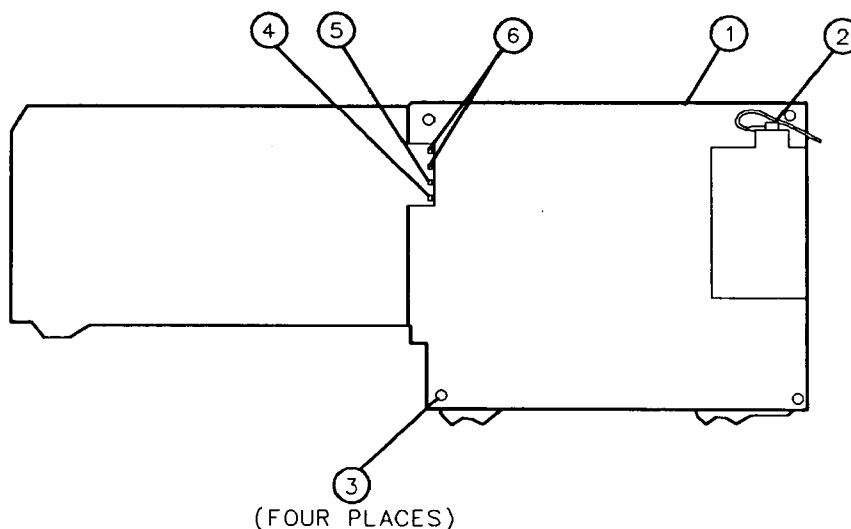


Figure 3-37. Connecting Cables to A7A1 Assembly

25. Place the A7 assembly in the analyzer, and connect wire harness W13 to A7J2 (1). See Figure 3-38.
26. Secure the A7 assembly to the analyzer's right side panel using three TORX screws (2) and one pozidrive screw (3). Use a TORX #8 driver bit.

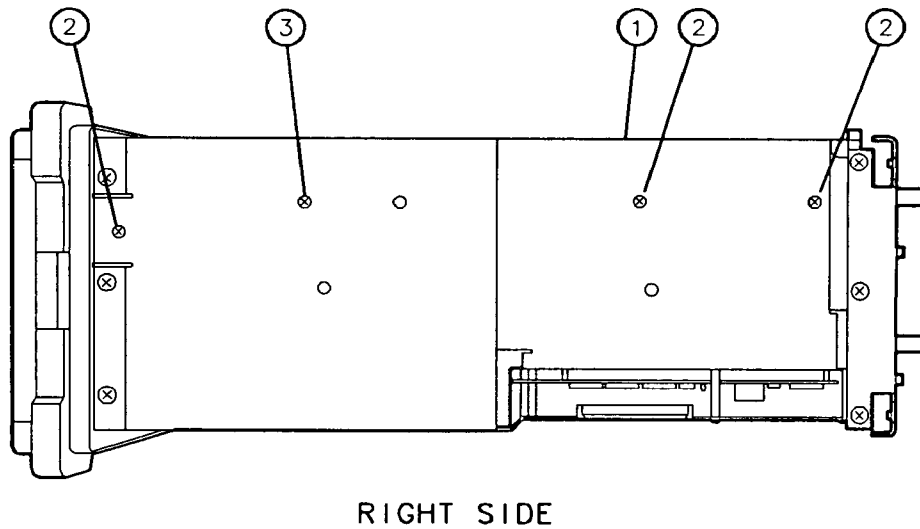


Figure 3-38. Installing the A7 Assembly

Replace the Instrument Cover

Caution



Ensure that cables do not bind between the instrument cover and its internal assemblies. Make sure the fan remains plugged in.

27. Carefully place the analyzer on the work surface with the front frame facing down.
28. Replace the instrument cover assembly by matching the seam on the cover with the bottom of the instrument.
29. Fit the leading edge of the cover completely into the slot on the back of the front-frame assembly. The cover should fit snugly against the EMI gasket in the slot.
30. Tighten the four rear-feet screws with a 4 mm hex wrench. As the screws are tightened, continue to make sure that the leading edge of the cover is properly seated in the front frame slot.
31. Replace the four screws and washers attaching the instrument cover assembly to the rear frame.

Replaceable Parts

Introduction

This chapter contains information for identifying and ordering replacement assemblies and mechanical parts for the HP 8591A Spectrum Analyzer. Major assembly and cable location information is given in Chapter 5.

The following tables and figures are also included in this chapter:

- Table 4-1 lists reference designations, abbreviations, and value multipliers used in the parts lists.
- Table 4-2 lists all major assemblies, and all major mechanical and electrical parts that are not part of a major assembly.
- Table 4-3 lists the history of the firmware. This includes the revision dates, part numbers of the ROMs, serial number breaks, and firmware major changes.
- Figures 4-1 through 4-13 give the spectrum analyzer parts identification information.

Note



The parts lists, schematics, and component-location diagrams for the HP 8591A Spectrum Analyzer's board assemblies are available separately in HP 8591A Component-Level Information Packets.

Assembly-Level Replaceable Parts Table Format

Table 4-2 lists the following information for each major assembly and for each major mechanical and electrical part that is not part of a major assembly:

1. Assembly reference designation.
2. Hewlett-Packard part number.
3. Part number check digit (CD).
4. Description of the assembly.

Parts Identification Format

Figures 4-1 through 4-13 contain illustrations of the spectrum analyzer with a listing of the parts that are identified in each figure. The following information is listed for each part:

1. Item number of callout in figure.
2. Hewlett-Packard part number.
3. Part number check digit (CD).
4. Description of the part.

Ordering Information

To order an assembly or mechanical part listed in this chapter, quote the Hewlett-Packard part number and the check digit, and indicate the quantity required. The check digit is used to verify the correct part number. The check digit will ensure accurate processing of your order.

To order a part that is *not* listed, include the following information with the order:

- Spectrum analyzer model number.
- Spectrum analyzer serial number.
- Description of where the part is located, what it looks like, and its function (if known).
- Quantity needed.

Parts can be ordered by addressing the order to the nearest Hewlett-Packard office. Customers within the USA can also use either the direct mail-order system, or the direct phone-order system described below. The direct phone-order system has a toll-free phone number available.

Direct Mail-Order System

Within the USA, Hewlett-Packard can supply parts through a direct mail-order system. Advantages of using the system are as follows:

- Direct ordering and shipment from Hewlett-Packard.
- No maximum or minimum on any mail order. (There is a minimum order amount for parts ordered through a local HP office when the orders require billing and invoicing.)
- Prepaid transportation. (There is a small handling charge for each order.)
- No invoices.

To provide these advantages, a check or money order must accompany each order. Mail-order forms and specific ordering information are available through your local HP office.

Direct Phone-Order System

Within the USA, a phone order system is available for regular and hotline replacement parts service. A toll-free phone number is available, and Mastercard and Visa are accepted.

Regular Orders

The toll-free phone number, (800) 227-8164, is available Monday through Friday, 6 AM to 5 PM (Pacific time). Regular orders have a four-day delivery time.

Hotline Orders

Hotline service is available 24 hours a day, 365 days a year, for emergency parts ordering. The toll-free phone number, (800) 227-8164, is available Monday through Friday, 6 AM to 5 PM (Pacific time). After-hours and on holidays, call (415) 968-2347.

To cover the cost of freight and special handling, there is an additional hotline charge on each order (three line items maximum per order). Hotline orders are normally delivered the next business day after they are ordered.

Table 4-1. Reference Designations, Abbreviations and Multipliers (1 of 4)

| REFERENCE DESIGNATIONS | | |
|--|---|---|
| A Assembly | F Fuse | RT Thermistor |
| AT Attenuator, Isolator, Limiter, Termination | FL Filter | S Switch |
| B Fan, Motor | HY Circulator | T Transformer |
| BT Battery | J Electrical Connector (Stationary Portion), Jack | TB Terminal Board |
| C Capacitor | K Relay | TC Thermocouple |
| CP Coupler | L Coil, Inductor | TP Test Point |
| CR Diode, Diode Thyristor, Step Recovery Diode, Varactor | M Meter | U Integrated Circuit, Microcircuit |
| DC Directional Coupler | MP Miscellaneous Mechanical Part | V Electron Tube |
| DL Delay Line | P Electrical Connector (Movable Portion), Plug | VR Breakdown Diode (Zener), Voltage Regulator |
| DS Annunciator, Lamp, Light Emitting Diode (LED), Signaling Device (Visible) | Q Silicon Controlled Rectifier (SCR), Transistor, Triode Thyristor | W Cable, Wire, Jumper |
| E Miscellaneous Electrical Part | R Resistor | X Socket |
| | | Y Crystal Unit (Piezoelectric, Quartz) |
| | | Z Tuned Cavity, Tuned Circuit |

| ABBREVIATIONS | | |
|--|--|--|
| A | BSC Basic | CNDCT Conducting, Conductive, Conductivity, Conductor |
| A Across Flats, Acrylic, Air (Dry Method), Ampere | BTN Button | |
| ADJ Adjust, Adjustment | C | CONT Contact, Continuous, Control, Controller |
| ANSI American National Standards Institute (formerly USASI-ASA) | C Capacitance, Capacitor, Center Tapped, Cermet, Cold, Compression | CONV Converter |
| ASSY Assembly | CCP Carbon Composition Plastic | CPRSN Compression |
| AWG American Wire Gage | CD Cadmium, Card, Cord | CUP-PT Cup Point |
| B | CER Ceramic | CW Clockwise, Continuous Wave |
| BCD Binary Coded Decimal | CHAM Chamfer | |
| BD Board, Bundle | CHAR Character, Characteristic, Charcoal | D |
| BE-CU Beryllium Copper | CMOS Complementary Metal Oxide Semiconductor | D Deep, Depletion, Depth, Diameter, Direct Current |
| BNC Type of Connector | | DA Darlington |
| BRG Bearing, Boring | | |
| BRS Brass | | |

Table 4-1. Reference Designations, Abbreviations, and Multipliers (2 of 4)

| ABBREVIATIONS | | | | | |
|---------------|--|----------|---|----------|---------------------------------------|
| DAP-GL | Diallyl Phthalate Glass | FT | Current Gain Bandwidth Product (Transition Frequency), Feet, Foot | JFET | Junction Field Effect Transistor |
| DBL | Double | | | K | |
| DCDR | Decoder | | | | |
| DEG | Degree | | | | |
| D-HOLE | D-Shaped Hole | FXD | Fixed | K | Kelvin, Key, Kilo, Potassium |
| DIA | Diameter | | | | |
| DIP | Dual In-Line Package | | | G | |
| DIP-SLDR | Dip Solder | | | KNRLD | Knurled |
| D-MODE | Depletion Mode | GEN | General, Generator | KVDC | Kilovolts Direct Current |
| DO | Package Type Designation | GND | Ground | | |
| DP | Deep, Depth, Diametric Pitch, Dip | GP | General Purpose, Group | L | |
| DP3T | Double Pole Three Throw | | | LED | Light Emitting Diode |
| DPDT | Double Pole Double Throw | H | | LG | Length, Long |
| DWL | Dowell | H | Henry, High | LIN | Linear, Linearity |
| | E | HDW | Hardware | LK | Link, Lock |
| E-R | E-Ring | HEX | Hexadecimal, Hexagon, Hexagonal | LKG | Leakage, Locking |
| EXT | Extended, Extension, External, Extinguish | HLCL | Helical | LUM | Luminous |
| | F | HP | Hewlett-Packard Company, High Pass | | |
| F | Fahrenheit, Farad, Female, Film (Resistor), Fixed, Flange, Frequency | | | M | |
| FC | Carbon Film/Composition, Edge of Cutoff Frequency, Face | I | | M | Male, Maximum, Mega, Mil, Milli, Mode |
| FDTHRU | Feedthrough | IC | Collector Current, Integrated Circuit | MA | Milliampere |
| FEM | Female | ID | Identification, Inside Diameter | MACH | Machined |
| FIL-HD | Fillister Head | IF | Forward Current, Intermediate Frequency | MAX | Maximum |
| FL | Flash, Flat, Fluid | IN | Inch | MC | Molded Carbon Composition |
| FLAT-PT | Flat Point | INCL | Including | MET | Metal, Metallized |
| FR | Front | INT | Integral, Intensity, Internal | MHZ | Megahertz |
| FREQ | Frequency | | | MINTR | Miniature |
| | | J | | MIT | Miter |
| | | J-FET | Junction Field Effect Transistor | MLD | Mold, Molded |
| | | | | MM | Magnetized Material, Millimeter |
| | | | | MOM | Momentary |
| | | | | MTG | Mounting |
| | | | | MTLC | Metallic |
| | | | | MW | Milliwatt |

Table 4-1. Reference Designations, Abbreviations, and Multipliers (3 of 4)

| ABBREVIATIONS | | | | | |
|---------------|--|-------|---|--------|--|
| | N | PLSTC | Plastic | SMA | Subminiature, A Type (Threaded Connector) |
| N | Nano, None | PNL | Panel | | |
| N-CHAN | N-Channel | PNP | Positive Negative Positive (Transistor) | SMB | Subminiature, B Type (Slip-on Connector) |
| NH | Nanohenry | POLYC | Polycarbonate | | |
| NM | Nanometer, Nonmetallic | POLYE | Polyester | SMC | Subminiature, C-Type (Threaded Connector) |
| NO | Normally Open, Number | POT | Potentiometer | | |
| NOM | Nominal | POZI | Pozidriv Recess | SPCG | Spacing |
| NPN | Negative Positive Negative (Transistor) | PREC | Precision | SPDT | Single Pole Double Throw |
| NS | Nanosecond, Non-Shorting, Nose | PRP | Purple, Purpose | SPST | Single Pole Single Throw |
| NUM | Numeric | PSTN | Piston | SQ | Square |
| NYL | Nylon (Polyamide) | PT | Part, Point, Pulse Time | SST | Stainless Steel |
| | O | PW | Pulse Width | STL | Steel |
| | | | Q | SUBMIN | Subminiature |
| OA | Over-All | Q | Figure of Merit | SZ | Size |
| OD | Outside Diameter | | R | | |
| OP AMP | Operational Amplifier | R | Range, Red, Resistance, Resistor, Right, Ring | T | Teeth, Temperature, Thickness, Time, Timed, Tooth, Typical |
| OPT | Optical, Option, Optional | REF | Reference | TA | Ambient Temperature, Tantalum |
| | P | RES | Resistance, Resistor | TC | Temperature Coefficient |
| PA | Picoampere, Power Amplifier | RF | Radio Frequency | THD | Thread, Threaded |
| PAN-HD | Pan Head | RGD | Rigid | THK | Thick |
| PAR | Parallel, Parity | RND | Round | TO | Package Type Designation |
| PB | Lead (Metal), Pushbutton | RR | Rear | TPG | Tapping |
| PC | Printed Circuit | RVT | Rivet, Riveted | TR-HD | Truss Head |
| PCB | Printed Circuit Board | | S | TRMR | Trimmer |
| P-CHAN | P-Channel | SAWR | Surface Acoustic Wave Resonator | TRN | Turn, Turns |
| PD | Pad, Power Dissipation | SEG | Segment | TRSN | Torsion |
| PF | Picofarad, Power Factor | SGL | Single | | |
| PKG | Package | SI | Silicon, Square Inch | | |
| | | SL | Slide, Slow | | |
| | | SLT | Slot, Slotted | | |

Table 4-1. Reference Designations, Abbreviations, and Multipliers (4 of 4)

| ABBREVIATIONS | | | | | |
|---------------|--|--|---|----------|-------------------------|
| | U | | VAR Variable | | Y |
| | | | VDC Volts—Direct Current | | YIG Yttrium-Iron-Garnet |
| UCD | Microcandela | | | W | |
| UF | Microfarad | | | | |
| UH | Microhenry | | | | |
| UL | Microliter, Underwriters' Laboratories, Inc. | | W Watt, Wattage, White, Wide, Width | | Z |
| UNHDND | Unhardened | | W/SW With Switch | | ZNR Zener |
| | | | WW Wire Wound | | |
| | V | | | X | |
| V | Variable, Violet, Volt, Voltage | | X By (Used with Dimensions), Reactance | | |
| VAC | Vacuum, Volts— Alternating Current | | | | |

| MULTIPLIERS | | | | | |
|--------------|--------|------------------|--------------|--------|-------------------|
| Abbreviation | Prefix | Multiple | Abbreviation | Prefix | Multiple |
| T | tera | 10 ¹² | m | milli | 10 ⁻³ |
| G | giga | 10 ⁹ | μ | micro | 10 ⁻⁶ |
| M | mega | 10 ⁶ | n | nano | 10 ⁻⁹ |
| k | kilo | 10 ³ | p | pico | 10 ⁻¹² |
| da | deka | 10 | f | femto | 10 ⁻¹⁵ |
| d | deci | 10 ⁻¹ | a | atto | 10 ⁻¹⁸ |
| c | centi | 10 ⁻² | | | |

Table 4-2. HP 8591A Assembly-Level Replaceable Parts

| Reference Designator | HP Part Number | CD | Description |
|----------------------|----------------|----|---|
| A1 | 08591-60006 | 8 | FRONT FRAME ASSEMBLY |
| | 08591-60007 | 9 | FRONT FRAME ASSEMBLY (OPTION 001) |
| A1A1 | 08590-60004 | 5 | BOARD ASSEMBLY, KEYBOARD |
| A1A2 | 0960-0745 | 6 | ROTARY PULSE GENERATOR |
| A1R1 | 08590-60133 | 1 | VOLUME-INTENSITY DUAL-POT ASSEMBLY |
| A2 | 5062-6404 | 3 | CRT DISPLAY ASSEMBLY (CABLES AND SHIELD NOT INCLUDED) |
| A3 | 0955-0453 | 2 | INPUT ATTENUATOR |
| A4 | 08590-60116 | 9 | FIRST CONVERTER |
| A5 | 08590-60117 | 0 | SECOND CONVERTER |
| A5A1 | 08590-60155 | 7 | BOARD ASSEMBLY, TRIPLER |
| A6 | 0955-0454 | 3 | YIG TUNED OSCILLATOR (YTO) 2.0-4.1 GHZ |
| A6A1 | 5062-4888 | 7 | BOARD ASSEMBLY, YIG TUNED OSCILLATOR (YTO) |
| A7 | 08590-60101 | 3 | BOARD ASSEMBLY, ANALOG INTERFACE |
| A7A1 | 08590-60115 | 9 | BOARD ASSEMBLY, TRACKING GENERATOR CONTROL |
| A8 | 0950-1977 | 7 | POWER SUPPLY 100W |
| A9 | 08590-60104 | 6 | BOARD ASSEMBLY, THIRD CONVERTER |
| | 08590-60114 | 8 | BOARD ASSEMBLY, THIRD CONVERTER (OPTION 001) |
| A10 | | | NOT ASSIGNED |
| A11 | 08590-60158 | 0 | BOARD ASSEMBLY, BANDWIDTH FILTER #1 |
| A12 | 08590-60105 | 7 | BOARD ASSEMBLY, AMPLITUDE CONTROL |
| A13 | 08590-60158 | 0 | BOARD ASSEMBLY, BANDWIDTH FILTER #2 |
| A14 | 08590-60149 | 9 | BOARD ASSEMBLY, LOG AMP |
| A15 | 08591-60017 | | BOARD ASSEMBLY, MOTHERBOARD (SERIAL PREFIX 3009A00647 AND ABOVE) |
| | 08591-60001 | 3 | BOARD ASSEMBLY, MOTHERBOARD (SERIAL PREFIX 3003A00646 AND BELOW) |
| A16 | 08590-60102 | 4 | BOARD ASSEMBLY, PROCESSOR/VIDEO |
| A17 | 08590-60107 | 9 | BOARD ASSEMBLY, MEMORY CARD |
| A18 | | | NOT ASSIGNED |
| A19 | | | NOT ASSIGNED |
| A20 | 08590-60108 | 0 | BOARD ASSEMBLY, HP-IB I-O (OPTION 021) |
| A21 | 08590-60109 | 1 | BOARD ASSEMBLY, RS-232 I-O (OPTION 023) |
| A22 | 1813-0645 | 5 | 10 MHZ, OVEN CONTROLLED CRYSTAL OSCILLATOR (OCXO), SERIAL PREFIX 2931A AND BELOW (OPTION 004) |
| | 1813-0644 | 4 | 10 MHZ, OVEN CONTROLLED CRYSTAL OSCILLATOR (OCXO), SERIAL PREFIX 2932A AND ABOVE (OPTION 004) |
| A23 | | | NOT ASSIGNED |
| A24 | | | NOT ASSIGNED |
| A24A1 | 5086-7807 | 6 | TRIPLER ASSEMBLY |
| A24A2 | 08590-60146 | 6 | TRACKING CONVERTER |
| A24A3 | 5086-7808 | 7 | AMPLIFIER/DETECTOR |
| A24A4 | 0955-0453 | 2 | STEP ATTENUATOR |
| A24FL1 | 0955-0491 | 8 | 1.8 GHz LPF |

Table 4-2. HP 8591A Assembly-Level Replaceable Parts (continued)

| Reference Designator | HP Part Number | CD | Description |
|----------------------|----------------|----|---|
| A25 | 08591-60002 | 4 | BOARD ASSEMBLY, COUNTER-LOCK |
| A101 | 5062-1984 | 8 | BOARD ASSEMBLY, FAST TIME DOMAIN SWEEP (OPTION 101), BLACK AND BROWN EXTRACTORS |
| A102 | 5062-1982 | 6 | BOARD ASSEMBLY, AM/FM SPEAKER/TV SYNC TRIGGER (OPTION 102), BLACK AND RED EXTRACTORS |
| AT1 | 0960-0084 | 6 | ISOLATOR 2.0-4.1 GHZ |
| AT2 | 0960-0053 | 9 | TERMINATOR, SMA (M), 50Ω |
| B1 | 08590-60166 | 0 | FAN ASSEMBLY |
| BT101 | 1420-0331 | 3 | BATTERY, 3.6 V, 1.7 AMP HOURS |
| F1 | 2110-0709 | 3 | FUSE 5.0A 250V F |
| FL1 | 9135-0048 | 2 | FILTER-LP 4.9 GHZ |
| J1 | 1250-2191 | 6 | CONNECTOR, RF INPUT (INPUT 50Ω), TYPE N (F) |
| J2 | 1250-2191 | 6 | CONNECTOR, RF OUTPUT (50Ω) |
| | 08590-60179 | 9 | CONNECTOR, RF OUTPUT (75Ω) |
| | 08590-60177 | 3 | CONNECTOR, RF INPUT (INPUT 75Ω), TYPE N (F), (OPTION 001) |
| LS1 | 08590-60134 | 2 | SPEAKER ASSEMBLY (OPTION 102) |
| W1 | 5062-4809 | 2 | CABLE ASSY WITH LINE SWITCH, A1 TO A16J9 |
| W2 | 08590-60159 | 1 | CABLE ASSY, DISPLAY VIDEO, A2 TO A16J8 |
| W3 | 08590-60037 | 4 | CABLE ASSY, INTENSITY, WITHOUT POTENTIOMETER, A1R1 TO A2 |
| W4 | 08592-60037 | 6 | CABLE ASSY, KEYBOARD, A1A1J1 TO A16J10 |
| W5 | 5062-4826 | 3 | CABLE ASSY, PROBE POWER, WITHOUT CONNECTOR, A1A1 TO A1 |
| W6 | 1250-1499 | 5 | JUMPER, 10 MHZ REF OUTPUT TO EXT REF IN |
| W7 | 8120-5052 | 6 | CABLE ASSY, CAL OUTPUT, A9J2 TO A1 |
| | 08590-60028 | 3 | CABLE ASSY, CAL OUTPUT, A9J2 TO A1 (OPTION 001) |
| W8 | 8120-5020 | 8 | CABLE ASSY, 600 MHZ DRVR, A9J5 TO A5J5 |
| W9 | 8120-5022 | 0 | CABLE ASSY, 2ND IF, A5J2 TO A9J4 |
| W10 | 08590-20157 | 5 | CABLE ASSY, RF INPUT, J1 TO A3 |
| | 08590-20182 | 6 | CABLE ASSY, RF INPUT, J1 TO A3 (OPTION 001) |
| W11 | 08590-20110 | 0 | CABLE ASSY, ATTENUATOR OUTPUT, A3 TO A4J1 |
| W12 | 08590-60035 | 2 | CABLE ASSY, YTO POWER, A7J3 TO A6 |
| W13 | 08590-60138 | 6 | CABLE ASSY, RF POWER, A7J2 TO A3/A5 |
| W14 | 08591-60008 | 2 | CABLE ASSY, MEMORY CARD/COUNTER LOCK CONTROL, A16J2 TO A17J1/A25J4 |
| W15 | 5062-6408 | 1 | CABLE ASSY, PRECISION FREQUENCY REFERENCE POWER, USED WITH A22 PART NUMBER 1813-0645 (OPTION 004) |
| | 5062-6468 | 3 | CABLE ASSY, PRECISION FREQUENCY REFERENCE POWER, USED WITH A22 PART NUMBER 1813-0644 (OPTION 004) |
| W16 | 08591-60013 | 7 | CABLE ASSY, 10 MHZ OUTPUT, A25J7 TO REAR PANEL |

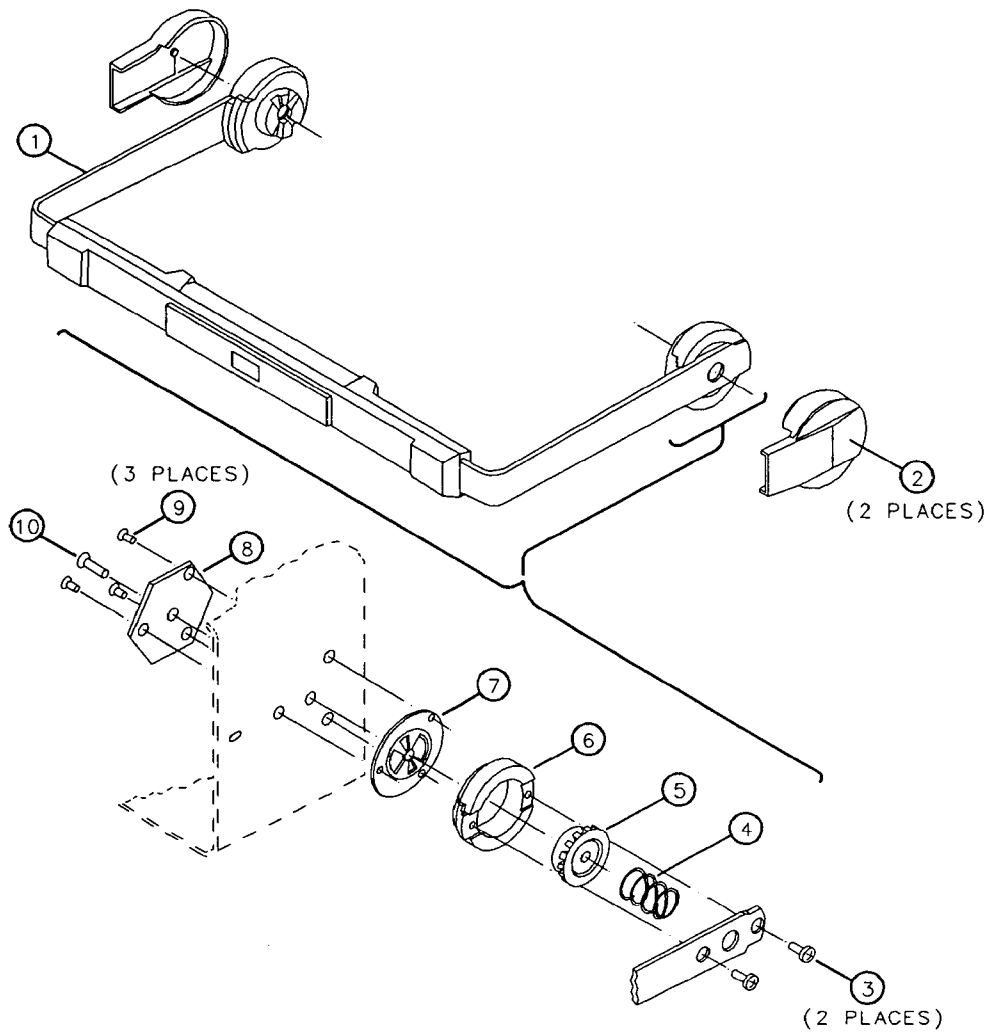
Table 4-2. HP 8591A Assembly-Level Replaceable Parts (continued)

| Reference Designator | HP Part Number | CD | Description |
|----------------------|----------------|----|--|
| W17 | 8120-5008 | 2 | CABLE ASSY, 10 MHZ OUTPUT, A22J1 TO REAR PANEL, USED WITH A22 PART NUMBER 1813-0645 (OPTION 004) |
| | 8120-5057 | 1 | CABLE ASSY, 10 MHZ OUTPUT, A22J1 TO REAR PANEL, USED WITH A22 PART NUMBER 1813-0644 (OPTION 004) |
| W18 | 08591-60009 | 3 | CABLE ASSY, EXT REF IN, REAR PANEL TO A25J2 |
| W19 | 08591-60012 | 6 | CABLE ASSY, COUNT IF, A25J5 TO A15J18 |
| W20 | 08591-60011 | 5 | CABLE ASSY, SAMPLER LO DRIVE, A4J4 TO A25A1J1 |
| W21 | 08591-60010 | 4 | CABLE ASSY, 300 MHZ COUNT LOCK DRIVE, A9J3 TO A25J1 |
| W22 | 08590-20112 | 2 | CABLE ASSY, FIRST CONVERTER OUTPUT, A4J3 TO FL1 |
| W23 | 08590-20113 | 3 | CABLE ASSY, ISOLATOR OUTPUT, AT1 TO A5J1 |
| W24 | 08590-20111 | 1 | CABLE ASSY, YTO OUTPUT, A6 TO A4J2 |
| W25 | 08590-60131 | 9 | CABLE ASSY, 707 MHz |
| W26 | 08590-20180 | 4 | CABLE ASSY, TG TRIPLER |
| W27 | 08590-20177 | 9 | CABLE ASSY, TRACKING GENERATOR LO |
| W28 | 08590-20178 | 0 | CABLE ASSY, CONVERTER OUT |
| W29 | 08590-20186 | 0 | CABLE ASSY, LPF/AMPLIFIER |
| W30 | 08590-20179 | 1 | CABLE ASSY, TRACKING GENERATOR ATTENUATOR |
| W31 | 5062-0761 | 7 | CABLE ASSY, TRACKING GENERATOR OUTPUT |
| W32 | 08590-60132 | 0 | CABLE ASSY, DETECTOR |
| W33 | 08590-60143 | 3 | CABLE ASSY, TRACKING GENERATOR POWER |
| W34 | 08590-60145 | 5 | CABLE ASSY, EXT LVL |
| W35-W100 | | | NOT ASSIGNED |
| W101 | 8120-5055 | 9 | CABLE ASSY, TV TRIGGER INPUT, A102J2 TO REAR PANEL (OPTION 102) |
| W102 | 08590-60136 | 4 | CABLE ASSY, VOLUME CONTROL, A1R1 TO A102 (OPTION 102) |
| W103 | | | NOT ASSIGNED |
| W104 | 08590-60135 | 3 | CABLE ASSY, HEADPHONE, A102 TO REAR PANEL (OPTION 102) |

Determine the version of firmware that is installed in the analyzer by cycling the instrument power and looking at the date displayed in the active function block.

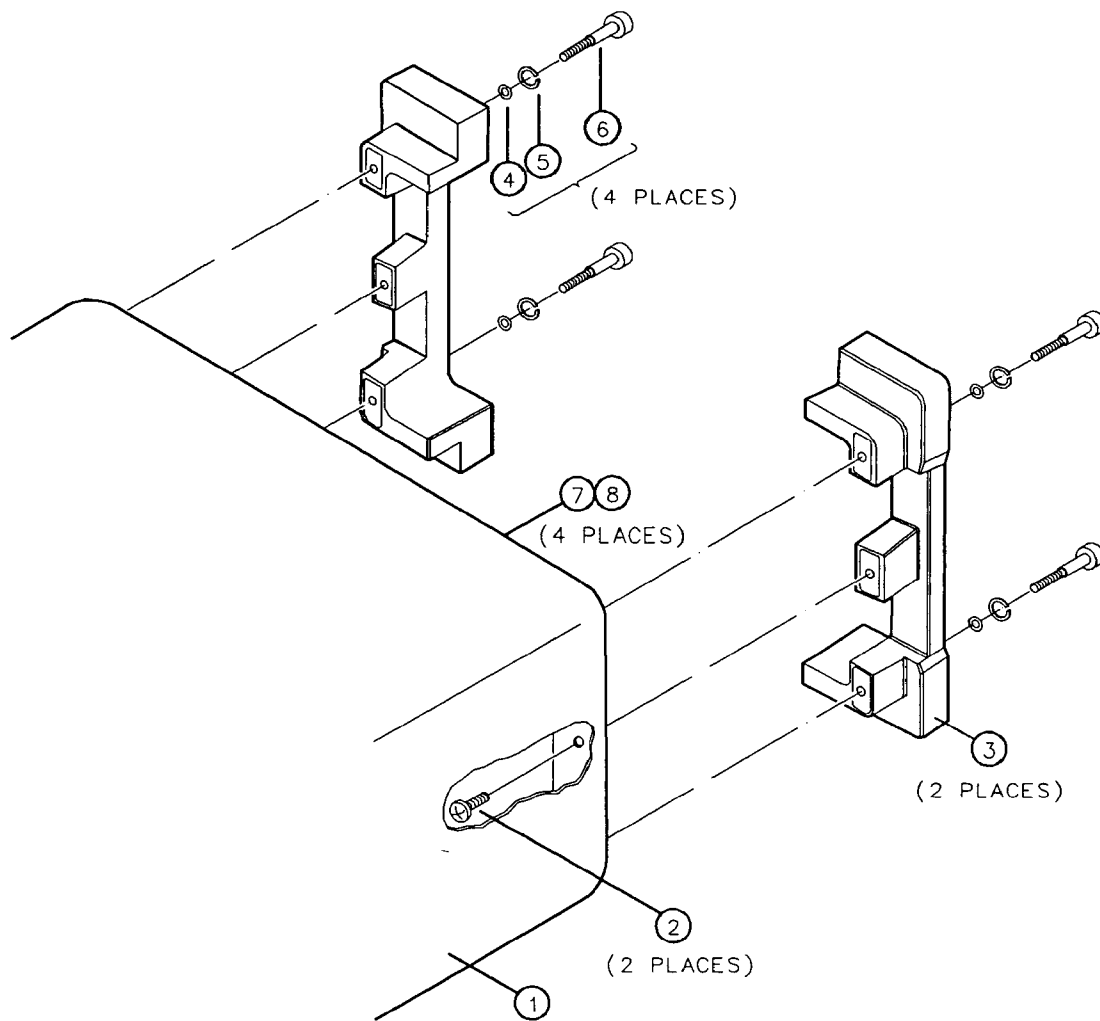
Table 4-3. Firmware History

| Revision Date (ddmmyy) | ROM Part Number U6, U7, U23, U24 | Serial Prefix Break |
|---|--|---------------------------|
| 11.7.89 | 08590-80089 08590-80090 08590-80091 08590-80092 | First Serial Prefix 2919A |
| 18.7.89 | 08590-80145 08590-80146 08590-80147 08590-80148 | First Serial Prefix 2932A |
| Major Firmware Changes for 18.7.89 | | |
| <ol style="list-style-type: none"> 1) Eliminates start-of-sweep glitch. 2) Eliminates overwrite of Trace C during Catalog. | | |
| 3.1.90 | 08590-80154 08590-80155 08590-80156 08590-80157 | First Serial Prefix 3003A |
| Major Firmware Changes for 3.1.90 | | |
| <ol style="list-style-type: none"> 1) Eliminates reset of RTXO DAC when DEFAULT CAL DATA is used. 2) PRT MENU now functions as defined. 3) Enhanced the EDIT FLATNESS routine. Data entry routine now automatically moves to the next higher entry point. 4) Eliminates unstable video trigger when using sweep times greater than 20 milliseconds. 5) Option 101 Only. Eliminates unstable video trigger in zero span when using sweep times of less than 20 milliseconds. | | |



| Item | HP Part Number | CD | Description |
|------|----------------|----|----------------------------------|
| 1 | 5041-8911 | 1 | HANDLE |
| 2 | 5041-8912 | 2 | TRIM CAP |
| 3 | 0515-1114 | 2 | SCREW-MACH M4×0.7 10MM-LG PAN-HD |
| 4 | 1460-2164 | 8 | SPRING-CPR |
| 5 | 5021-6343 | 7 | RING GEAR |
| 6 | 5021-6344 | 8 | SOCKET GEAR |
| 7 | 5021-8667 | 2 | HANDLE PLATE |
| 8 | 5001-8728 | 4 | BACKUP PLATE |
| 9 | 0515-1367 | 0 | SCREW-MACH M4×0.7 8MM-LG FLH-HD |
| 10 | 0515-1133 | 5 | SCREW-MACH M5×0.8 16MM-LG |

Figure 4-1. Spectrum Analyzer Parts Identification, Handle Assembly



| Item | HP Part Number | CD | Description |
|------|----------------|----|--|
| 1 | 5001-8785 | 3 | COVER |
| 2 | 0515-1114 | 2 | SCREW-MACH M4×0.7 10MM-LG PAN-HD |
| 3 | 5041-8907 | 5 | REAR FOOT |
| 4 | 0900-0024 | 8 | O-RING .145-IN-ID .07-IN-XSECT-DIA SIL |
| 5 | 2190-0587 | 3 | WASHER-LK HLCL 5.0 MM 5.1-MM-ID |
| 6 | 0515-1218 | 7 | SCREW-SKT-HD-CAP M5.0×0.8 40 MM-LG |
| 7 | 3050-0893 | 9 | WASHER-FLAT M4.0ID |
| 8 | 0515-1069 | 6 | SCREW M4.0×10MM PAN-HD |

Figure 4-2. Spectrum Analyzer Parts Identification, Cover Assembly

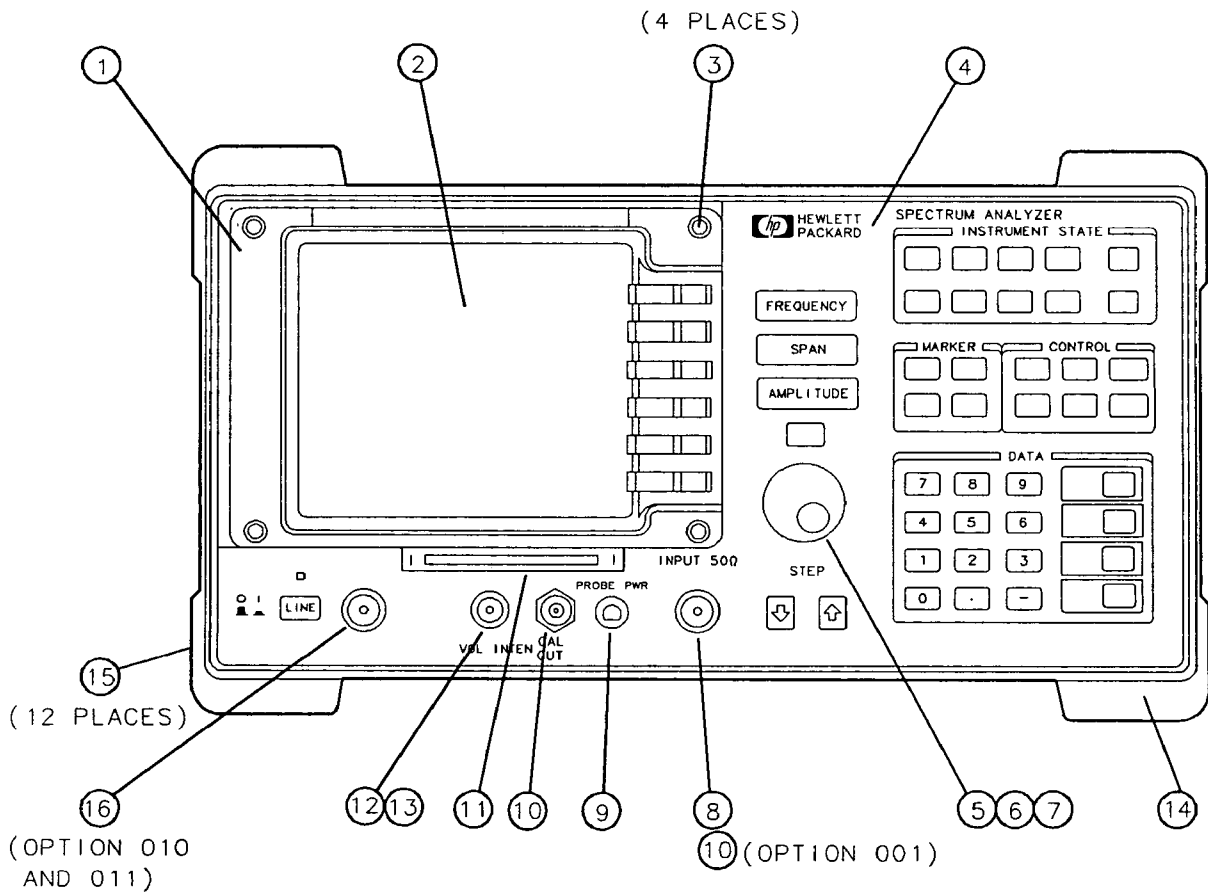
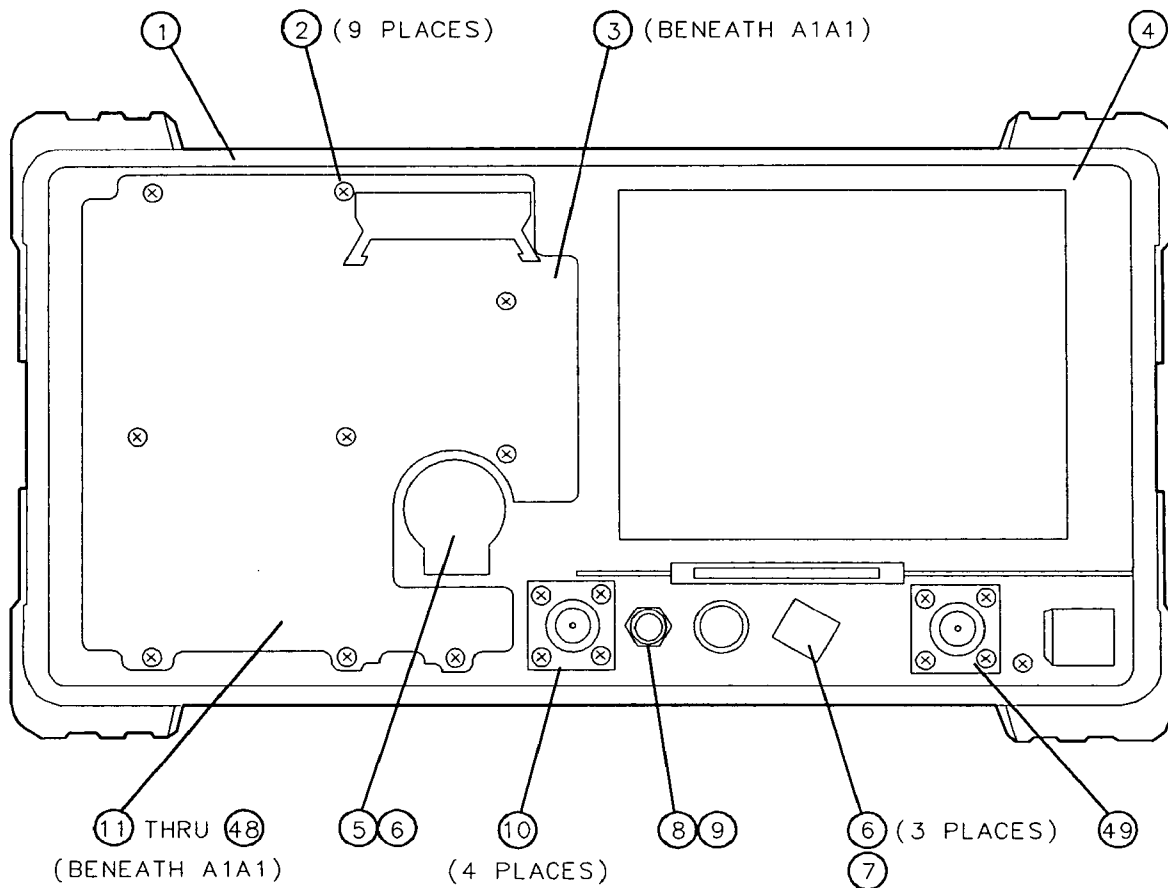


Figure 4-3. Spectrum Analyzer Parts Identification, Front Frame Assy (1 of 2)

(8590A(F))

| Item | HP Part Number | CD | Description |
|------|----------------|----|---|
| 1 | 5041-8914 | 4 | DISPLAY BEZEL ASSEMBLY |
| 2 | 1000-0846 | 5 | DISPLAY FILTER |
| 3 | 0515-1622 | 7 | SCREW-SKT-HD-CAP M4×0.7 8 MM-LG |
| 4 | 08591-00001 | 7 | HP 8591A FRONT PANEL-DRESS |
| | 08591-00002 | 8 | HP 8591A FRONT PANEL-DRESS (OPTION 001) |
| 5 | 0370-3069 | 2 | RPG TUNING KNOB |
| 6 | 2950-0043 | 8 | NUT-HEX-3/8×32 |
| 7 | 2190-0016 | 3 | WASHER-LK INTL T 3/8 IN .377-IN-ID |
| 8 | 1250-2191 | 6 | ADAPTER,(F) SMA TO (F) TYPE N (INPUT 50Ω) |
| | 08590-60177 | 3 | MATCHING PAD (OPTION 001) (INPUT 75Ω) |
| 9 | 5060-0467 | 6 | PROBE POWER CONNECTOR (M) |
| 10 | 0590-1251 | 6 | NUT-SPCLY 15/32-32-THD |
| 11 | 5041-8917 | 7 | MEMORY CARD BEZEL |
| 12 | 5041-8924 | 6 | VOLUME KNOB |
| 13 | 5041-8925 | 7 | INTENSITY KNOB |
| 14 | 5062-4806 | 9 | BUMPER KIT (SET OF 4) |
| 15 | 0515-1079 | 8 | SCREW-MACH M3.0 8MM-LG PAN-HD |
| 16 | 6960-0148 | 8 | HOLE PLUG .687 DIAMETER (standard) |
| | 1250-2191 | 6 | TRACKING GENERATOR CONNECTOR (Option 010) |
| | 08590-60179 | 9 | TRACKING GENERATOR CONNECTOR (Option 011) |

Figure 4-3. Spectrum Analyzer Parts Identification, Front Frame Assy (2 of 2)

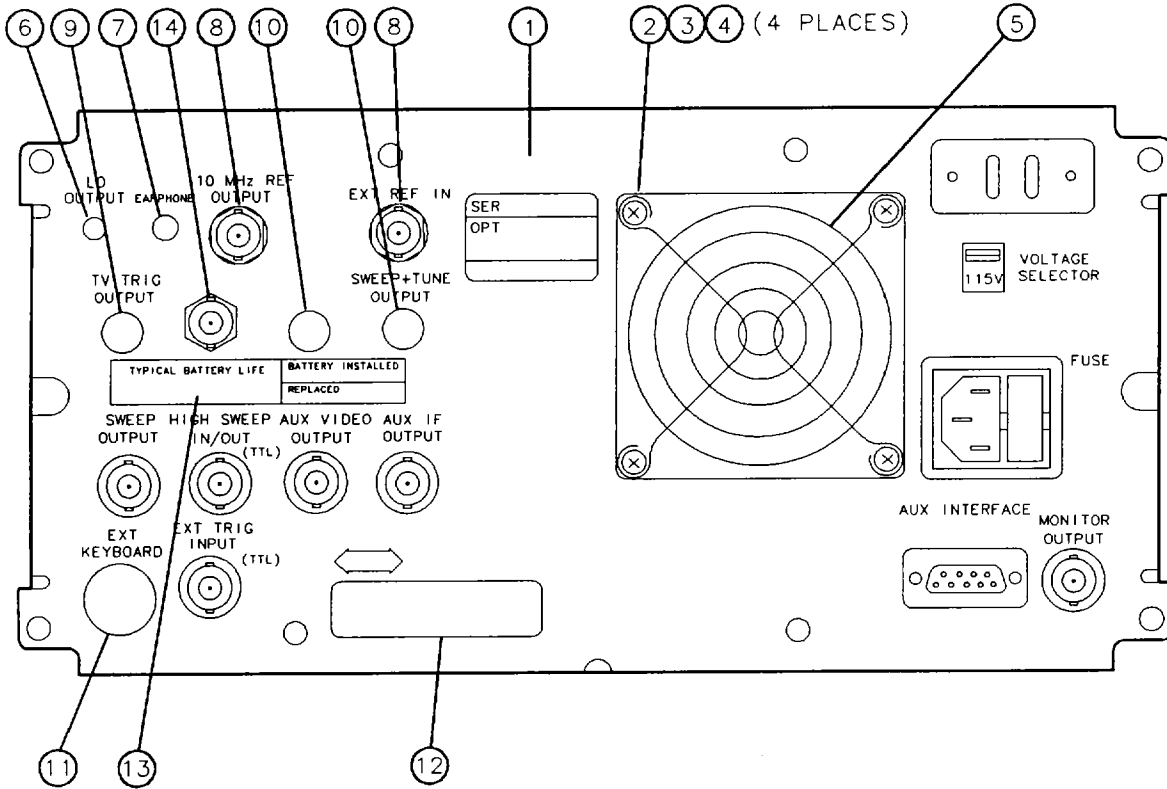


| Item | HP Part Number | CD | Description |
|------|----------------|----|--|
| 1 | 8160-0520 | 7 | GASKET-EMI 3 FT. |
| 2 | 0515-1717 | 1 | SCREW M2.5×6MM PAN-HD |
| 3 | 5041-3938 | 2 | RUBBER KEYPAD |
| 4 | 5021-8666 | 1 | FRONT FRAME CASTING |
| 5 | 0960-0745 | 6 | ROTARY PULSE GENERATOR |
| 6 | 3050-0103 | 4 | WASHER-FLAT .250ID12 |
| 7 | 08590-60133 | 1 | VOLUME-INTENSITY DUAL-POT ASSEMBLY |
| 8 | 2190-0016 | 3 | LOCK WASHER .377ID |
| 9 | 2950-0043 | 8 | HEX NUT 3/8-32 |
| 10 | 0515-1146 | 0 | SCREW M3.0×6MM PAN-HD WITH LOCK WASHER |

Figure 4-4. Spectrum Analyzer Parts Identification, Front Frame Assy (1 of 2)

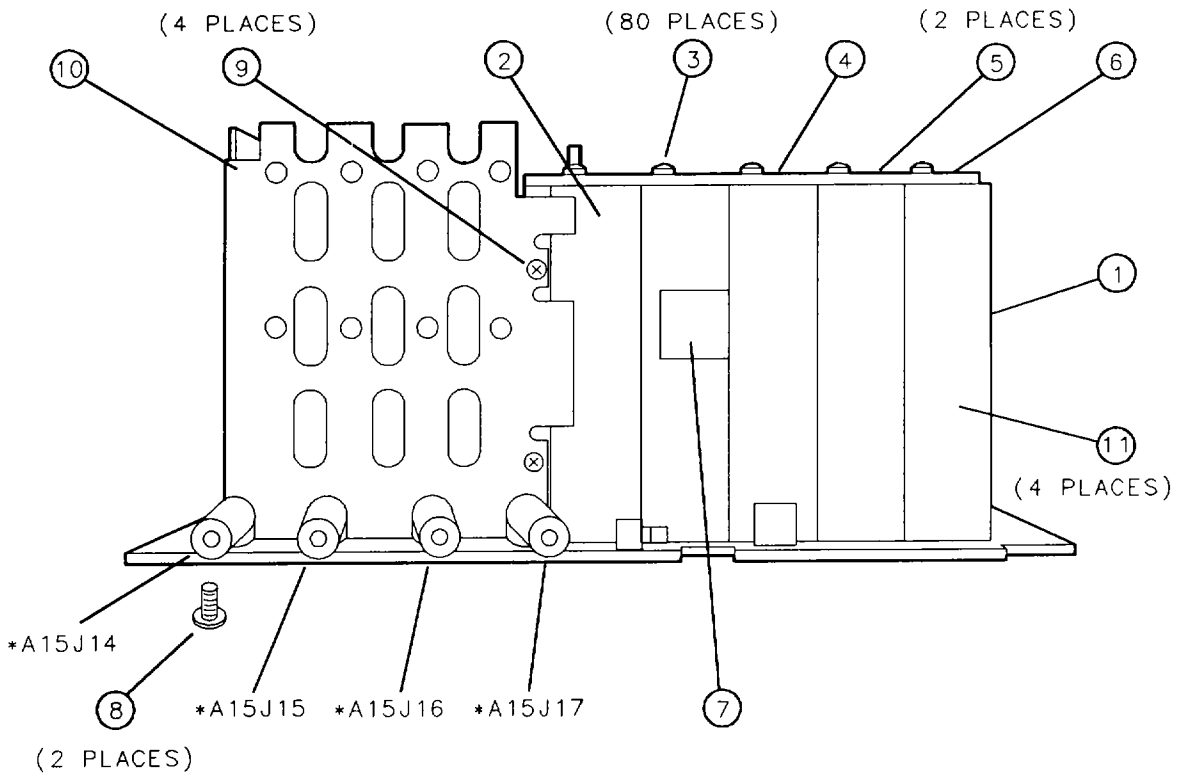
| Item | HP Part Number | CD | Description |
|------|----------------|----|--|
| 11 | 0535-0082 | 3 | NUTM W LKWR M4 (RETAINER, FRONT PANEL-DRESS) |
| 12 | 5041-3939 | 3 | KEY, "0" |
| 13 | 5041-3940 | 6 | KEY, "." |
| 14 | 5041-3941 | 7 | KEY, "1" |
| 15 | 5041-3942 | 8 | KEY, "2" |
| 16 | 5041-3943 | 9 | KEY, "3" |
| 17 | 5041-3944 | 0 | KEY, "4" |
| 18 | 5041-3945 | 1 | KEY, "5" |
| 19 | 5041-3946 | 2 | KEY, "7" |
| 20 | 5041-3947 | 3 | KEY, "8" |
| 21 | 5041-3948 | 4 | KEY, "BK SP" |
| 22 | 5041-3949 | 5 | KEY, "PK SEARCH" |
| 23 | 5041-3950 | 8 | KEY, "MKR ▶" |
| 24 | 5041-3951 | 9 | KEY, "HOLD" |
| 25 | 5041-3954 | 2 | KEY, "9" |
| 26 | 5041-3955 | 3 | KEY, "STEP" |
| 27 | 5041-3956 | 4 | KEY, "TERM" |
| 28 | 5041-3957 | 5 | KEY, "PRESET" |
| 29 | 5041-3960 | 0 | KEY, "FREQUENCY" |
| 30 | 5041-3961 | 1 | KEY, "SPAN" |
| 31 | 5041-3962 | 2 | KEY, "AMPLITUDE" |
| 32 | 5041-3964 | 4 | KEY, "SAVE" |
| 33 | 5041-3965 | 5 | KEY, "RECALL" |
| 34 | 5041-3967 | 7 | KEY, "AUTO COUPLE" |
| 35 | 5041-3972 | 4 | KEY, "BW" |
| 36 | 5041-3973 | 5 | KEY, "TRACE" |
| 37 | 5041-3974 | 6 | KEY, "DISPLAY" |
| 38 | 5041-3976 | 8 | KEY, "TRIG" |
| 39 | 5041-3977 | 9 | KEY, "SWEEP" |
| 40 | 5041-7253 | 2 | KEY, "CAL" |
| 41 | 5041-7254 | 3 | KEY, "CONFIG" |
| 42 | 5041-7256 | 5 | KEY, "MKR" |
| 43 | 5041-7257 | 6 | KEY, "SIG TRK" |
| 44 | 5041-8919 | 9 | KEY, "SGL SWP" |
| 45 | 5041-8920 | 2 | KEY, "AUX CTRL" |
| 46 | 5041-8921 | 3 | KEY, "COPY" |
| 47 | 5041-8922 | 4 | KEY, "MODE" |
| 48 | 5041-8923 | 5 | KEY, "MEAS/USER" |
| 49 | 0515-1146 | 3 | SCREW (Option 010) |
| | 0590-1251 | 6 | LOCKNUT (Option 011) |

Figure 4-4. Spectrum Analyzer Parts Identification, Front Frame Assy. (2 of 2)



| Item | HP Part Number | CD | Description |
|------|----------------|----|--|
| 1 | 5001-8780 | 8 | REAR FRAME |
| 2 | 0380-1900 | 7 | SPACER-ROUND .688L.166ID |
| 3 | 3050-0105 | 6 | WASHER-FLAT .125ID |
| 4 | 0515-1465 | 6 | SCREW-MACH M3.0 SEMPNPD |
| 5 | 3160-0309 | 5 | FAN GRILL |
| 6 | 6960-0076 | 2 | HOLE PLUG .312D |
| 7 | 6960-0076 | 2 | HOLE PLUG .312D |
| | 1252-0995 | 8 | MINI-JACK CONNECTOR AND NUT (OPTION 102) |
| 8 | 0590-1251 | 6 | HEX NUT 15/32-32 (OPTION 102) |
| 9 | 6960-0150 | 3 | HOLE PLUG 12.7DMM |
| | 0590-1251 | 6 | HEX NUT 15/32-32 (OPTION 102) |
| 10 | 6960-0150 | 3 | HOLE PLUG 12.7DMM |
| 11 | 6960-0082 | 0 | HOLE PLUG .922D (NOT ON OPTION 021 OR 023) |
| 12 | 08590-80012 | 7 | HOLE COVER (NOT ON OPTION 021 OR 023) |
| 13 | 9320-6058 | 9 | BATTERY LABEL |
| 14 | 0590-1251 | 6 | HEX NUT 15/32-32 (OPTION 010 AND 011) |

Figure 4-5. Spectrum Analyzer Parts Identification, Rear Frame Assembly

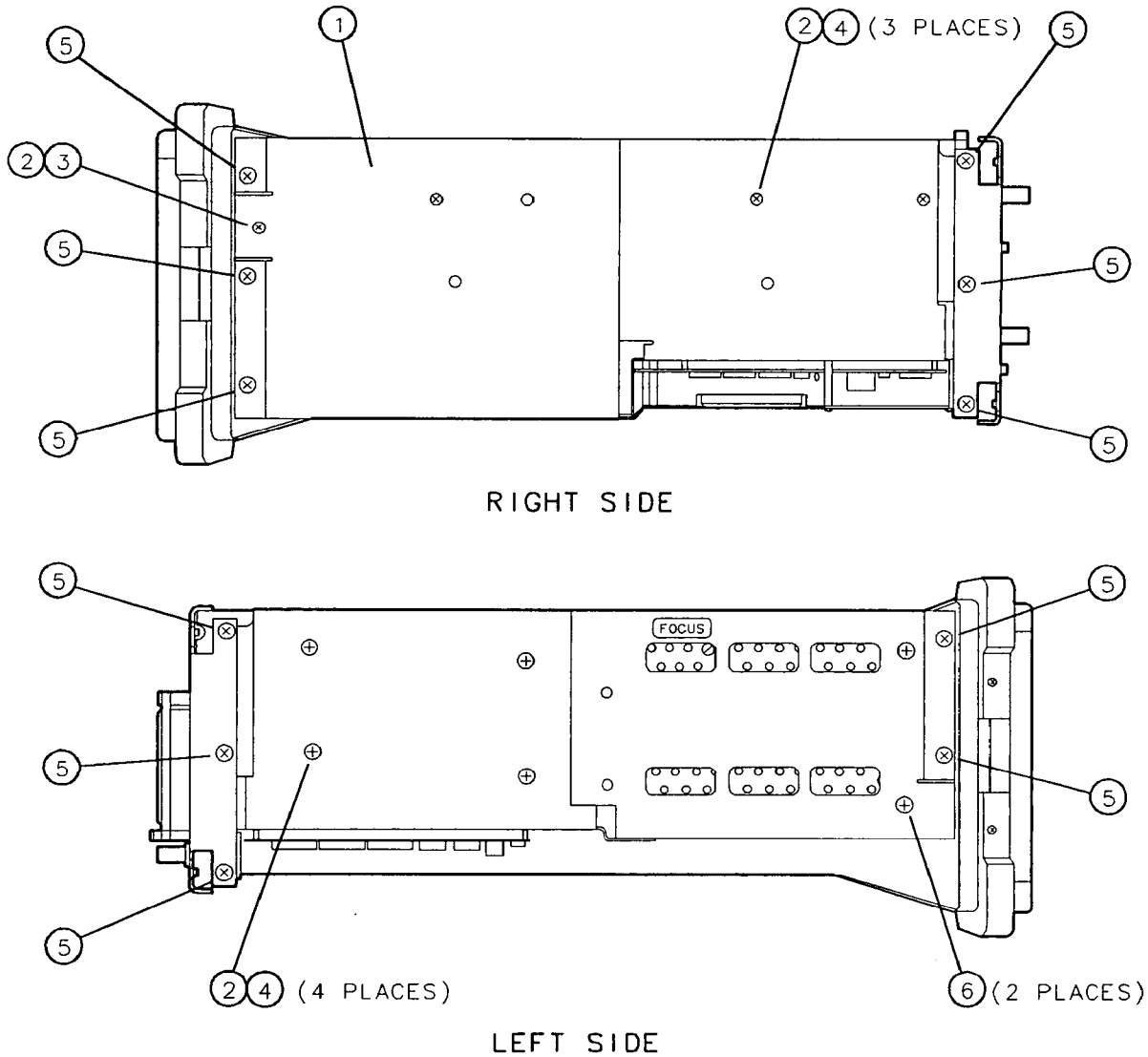


* REFER TO A15 COMPONENT LEVEL INFORMATION

Figure 4-6. Spectrum Analyzer Parts Identification, IF Assembly (1 of 2)

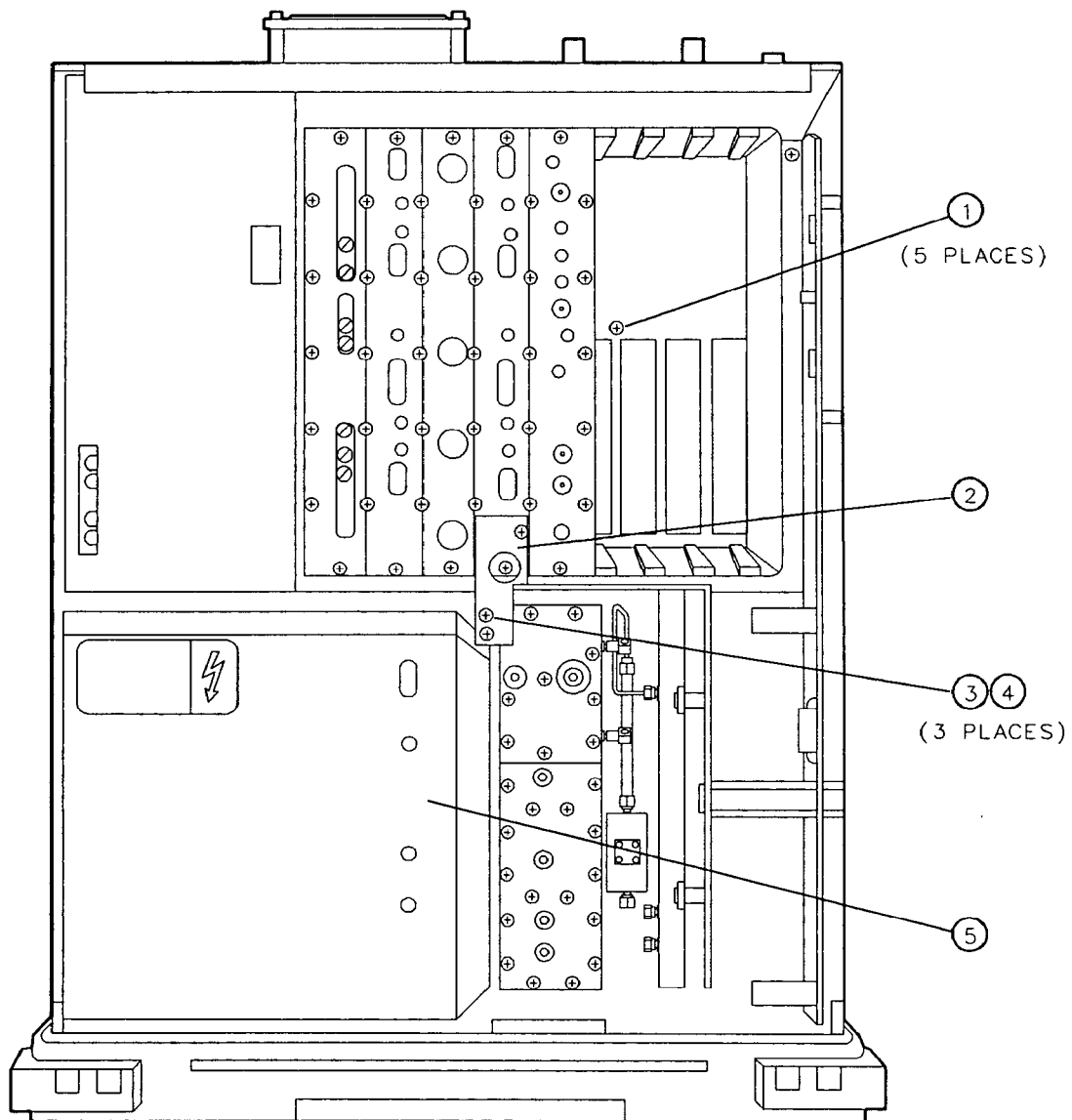
| Item | HP Part Number | CD | Description |
|--|----------------|----|---|
| 1 | 5021-9907* | | EXTRUSION, END PLATE ENCLOSURE (SERIAL PREFIX 3009A00647 AND ABOVE) |
| | 08590-20160 | 0 | EXTRUSION, END PLATE ENCLOSURE (SERIAL PREFIX 3003A00646 AND BELOW) |
| 2 | 5021-9908* | | EXTRUSION, CIRCUIT ENCLOSURE, TAPPED (SERIAL PREFIX 3009A00647 AND ABOVE) |
| | 08590-20162 | 2 | EXTRUSION, CIRCUIT ENCLOSURE, TAPPED (SERIAL PREFIX 3003A00646 AND BELOW) |
| 3 | 0515-0866* | | SCREW-MACH M3.0 X 8MM (SERIAL PREFIX 3009A00647 AND ABOVE) |
| | 0624-0099 | 1 | SCREW-ST 440 .375PN (SERIAL PREFIX 3003A00646 AND BELOW) |
| 4 | 5001-8782 | 0 | COVER-AMPLITUDE CONTROL |
| 5 | 5001-8783 | 1 | COVER-BANDWIDTH FILTER |
| 6 | 5001-8769 | 3 | COVER-LOG AMPLIFIER |
| 7 | 1400-0510 | 8 | CABLE CLAMP |
| 8 | 2200-0103 | 2 | SCREW-MACH 440 .250 PNPD |
| 9 | 0515-0866* | | SCREW-MACH M3.0 X 8MM (SERIAL PREFIX 3009A00647 AND ABOVE) |
| | 2200-0103 | 2 | SCREW-MACH 440 .250 PNPD (SERIAL PREFIX 3003A00646 AND BELOW) |
| 10 | 5001-8767 | 1 | CARD CAGE |
| 11 | 5021-9395* | | EXTRUSION, CIRCUIT ENCLOSURE (SERIAL PREFIX 3009A00647 AND ABOVE) |
| | 08590-20161 | 1 | EXTRUSION, CIRCUIT ENCLOSURE (SERIAL PREFIX 3003A00646 AND BELOW) |
| * USE THIS COMPONENT WITH A15 ASSEMBLY 08591-60017 ONLY. | | | |

Figure 4-6. Spectrum Analyzer Parts Identification, IF Assembly (2 of 2)



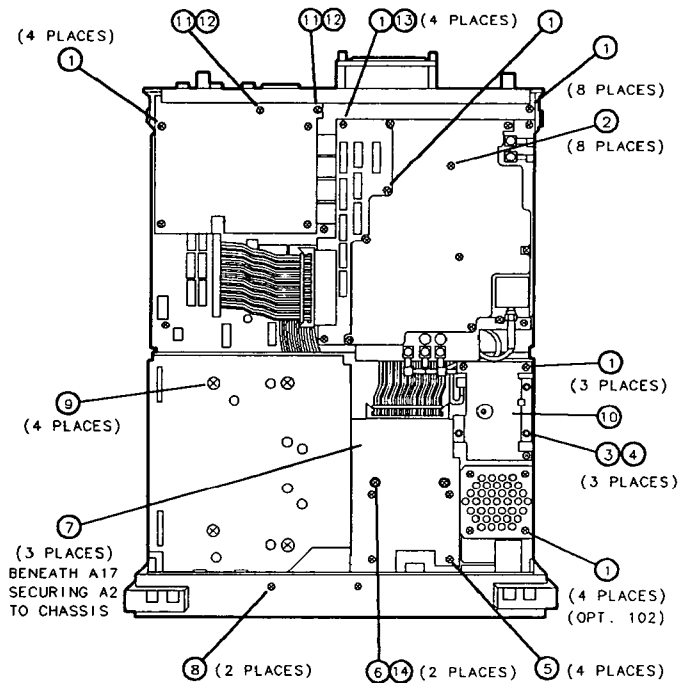
| Item | HP Part Number | CD | Description |
|------|----------------|----|-----------------------------|
| 1 | 5001-8766 | 0 | CHASSIS |
| 2 | 3050-0105 | 6 | WASHER-FLAT .125ID |
| 3 | 0515-1468 | 9 | SCREW-MACH M3.0 40 SEMPNPD |
| 4 | 0515-2087 | 0 | SCREW-SQBU M3.0×6MM TORX-HD |
| 5 | 0515-1367 | 7 | SCREW-MACH M4.0 8 PCFLPDS |
| 6 | 0515-0808 | 9 | SCREW-ST M4.0 12 PNPD |

Figure 4-7. Spectrum Analyzer Parts Identification, Miscellaneous Chassis



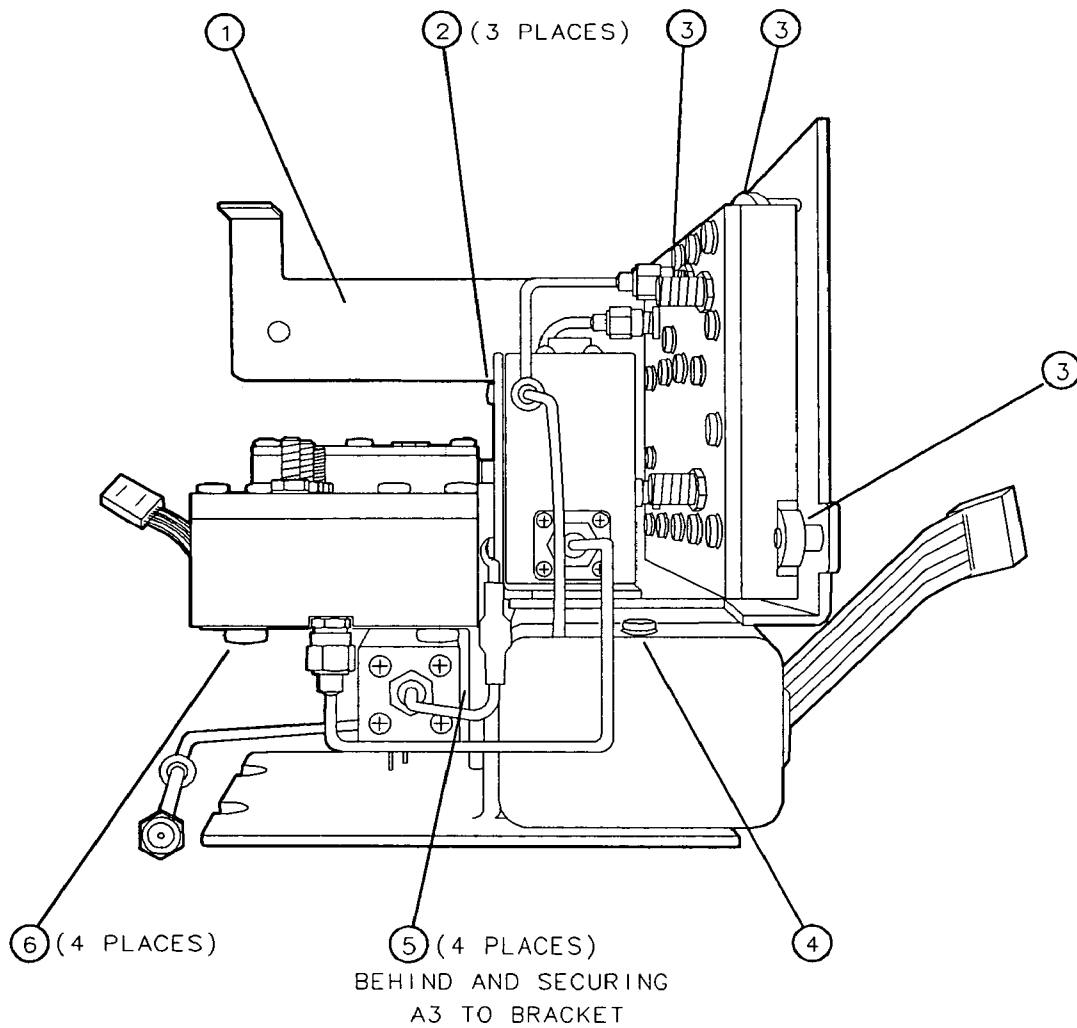
| Item | HP Part Number | CD | Description |
|------|----------------|----|---------------------------------|
| 1 | 0515-0866 | 9 | SCREW-MACH M3.0 8 CWPNPDS |
| 2 | 5002-0618 | 7 | FRONT END TO IF SUPPORT BRACKET |
| 3 | 0515-0866 | 9 | SCREW-MACH M3.0 8 CWPNPDS |
| 4 | 3050-0893 | 9 | WASHER-FLAT M4.0ID |
| 5 | 08590-00006 | 1 | DISPLAY SHIELD |

Figure 4-8. Spectrum Analyzer Parts Identification, Miscellaneous Chassis



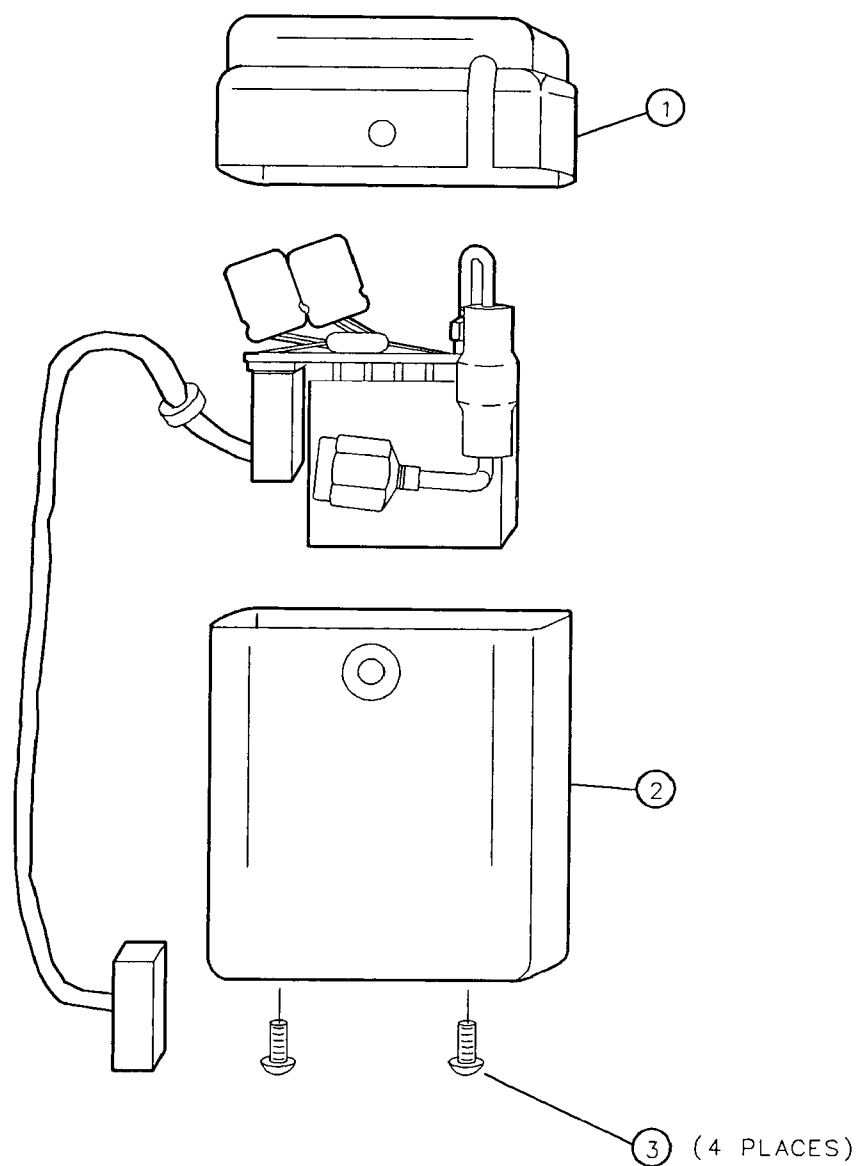
| Item | HP Part Number | CD | Description |
|------|----------------|----|---|
| 1 | 0515-0866 | 9 | SCREW-MACH M3.0 8 CWPNPDS |
| 2 | 0515-1532 | 0 | SCREW-MACH M3.0 10 PNPDS |
| 3 | 3050-0893 | 9 | WASHER-FLAT M4.0ID (OPTION 004) |
| 4 | 0535-0031 | 2 | NUT-MACH WLKWR M3.0 (OPTION 004) |
| 5 | 0515-0866 | 9 | SCREW-MACH M3.0 8 CWPNPDS |
| 6 | 0515-1453 | 0 | SCREW-MACH M3.0 12 SEMPND |
| 7 | 0515-0808 | 9 | SCREW-ST M4.0 12 PNP |
| 8 | 0515-1110 | 8 | SCREW-MACH M3.0 12 PCPNPDS |
| 9 | 0515-0898 | 7 | SCREW-MACH M4.0 6 PCPNPDS |
| 10 | 5002-0635 | 8 | OCXO MOUNTING BRACKET |
| 11 | 2200-0109 | 8 | SCREW-MACH .438 PNP (OPTION 021) |
| | 0515-0169 | 5 | SCREW-MACH M3.0 10SEMPND (OPTION 023) |
| 12 | 2190-0587 | 3 | WASHER-LK M5.0ID (OPTION 021) |
| | 0535-0025 | 4 | NUT-DBLHXS M3.0 (OPTION 023) |
| 13 | 5021-9922 | 4 | CHASSIS SPACER, ALUMINUM (INSTRUMENT SERIAL NUMBERS 2919A00101-2919A00149 ONLY) |
| 14 | 3050-0105 | 6 | WASHER, FLAT .125ID |

Figure 4-9. Spectrum Analyzer Parts Identification, Miscellaneous Chassis



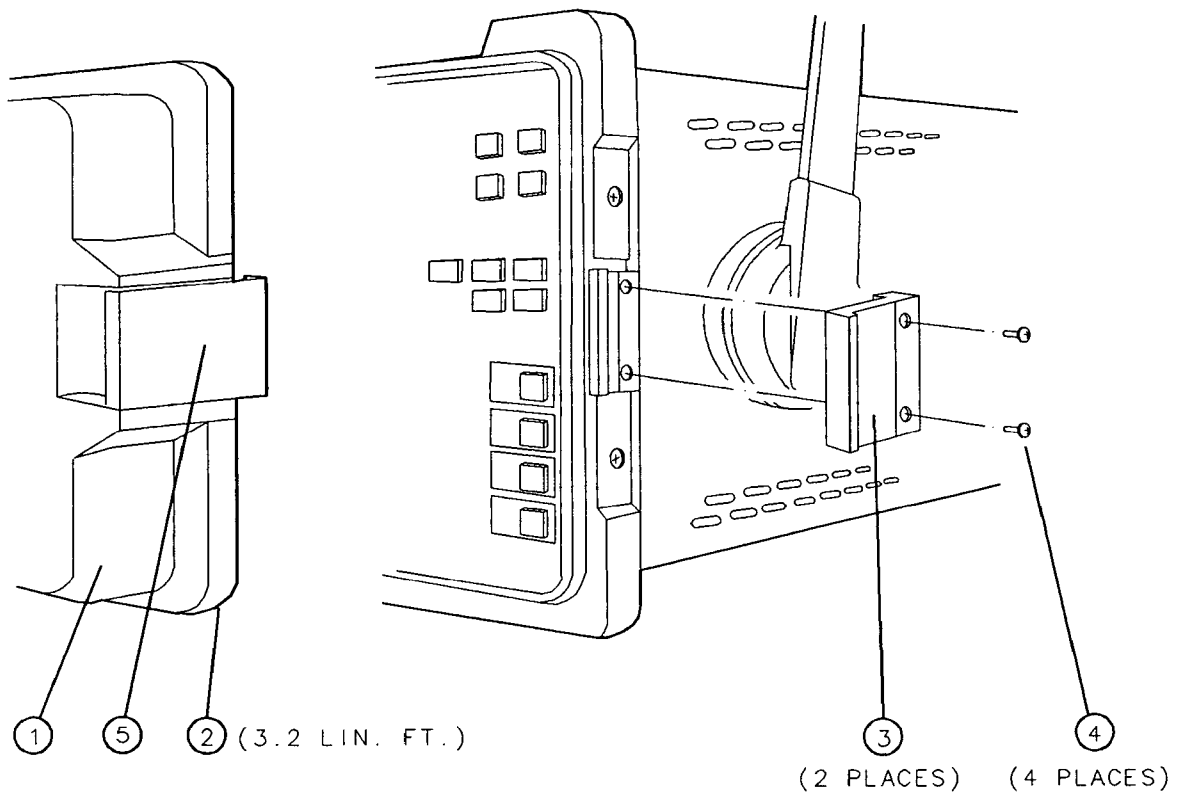
| Item | HP Part Number | CD | Description |
|------|----------------|----|---------------------------|
| 1 | 08590-00036 | 7 | FRONT END BRACKET |
| 2 | 2200-0521 | 8 | SCREW-MACH M440×250 PNP |
| 3 | 0515-0866 | 9 | SCREW-MACH M3.0 8 CWPNPDS |
| 4 | 0515-0886 | 3 | SCREW-MACH M3.0 6 PCPNPDS |
| 5 | 0520-0174 | 3 | SCREW-MACH M256×250 PNP |
| 6 | 0515-1069 | 6 | SCREW-MACH M4.0 10 SEMPNP |

Figure 4-10. Spectrum Analyzer Parts Identification, Front End



| Item | HP Part Number | CD | Description |
|------|----------------|----|--------------------------|
| 1 | 08590-00010 | 7 | YTO COVER SHIELD |
| 2 | 08590-00009 | 4 | YTO SHIELD |
| 3 | 2200-0521 | 8 | SCREW-MACH M440×250 PNPD |

Figure 4-11. Spectrum Analyzer Parts Identification, Miscellaneous Front End



| Item | HP Part Number | CD | Description |
|------|----------------|----|-------------------------------|
| 1 | 5062-4805 | 8 | IMPACT COVER ASSEMBLY |
| 2 | 5041-7235 | 0 | GASKET, 3.2 FT. |
| 3 | 5021-5483 | 4 | CATCH LATCH |
| 4 | 0515-0894 | 3 | SCREW-MACH M2.5 6MM-LG PAN-HD |
| 5 | 5062-0730 | 0 | DRAW CATCH ASSEMBLY |

Figure 4-12. Spectrum Analyzer Parts Identification, Impact Cover

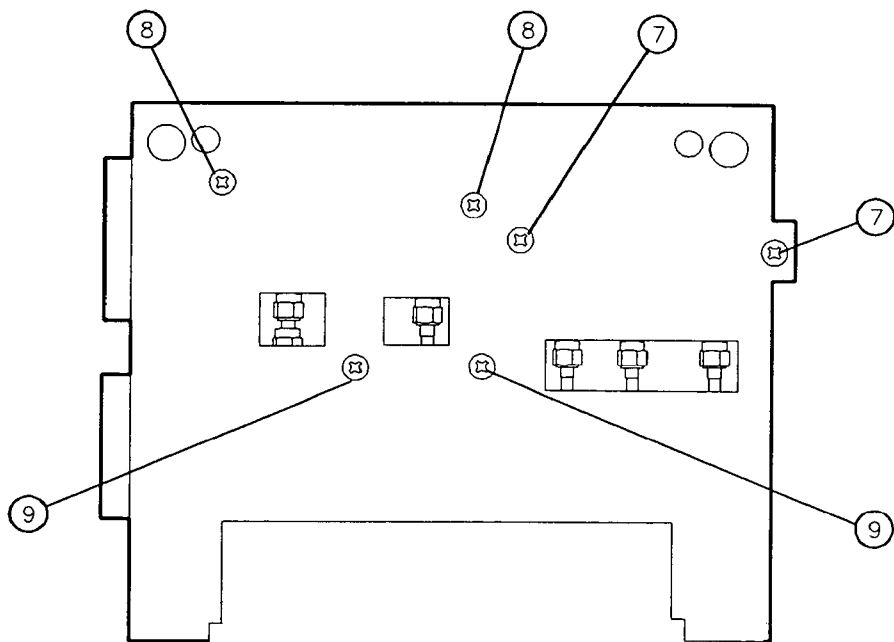
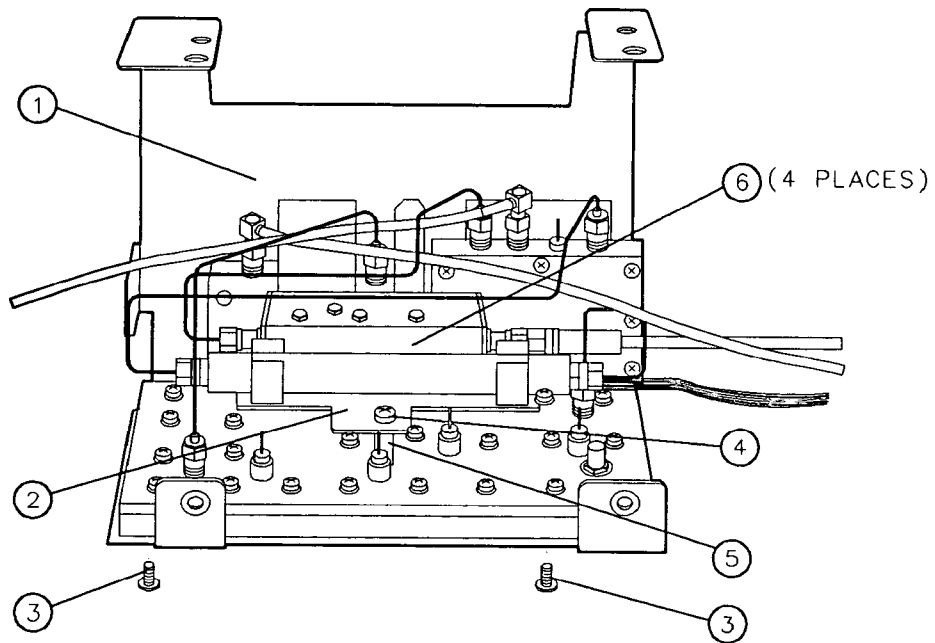


Figure 4-13. A24 Tracking Generator Parts Identification (1 of 2)

| Item | HP Part Number | CD | Description |
|------|----------------|----|---|
| 1 | 08590-00037 | 8 | BRACKET |
| 2 | 5002-0621 | 2 | BRACKET |
| 3 | 0515-1461 | 9 | SCREW-MACH M3 X 0.5 6MM-LG 90DEG-FLH-HD |
| 4 | 0515-0898 | 7 | SCREW-MACH M4.0 6 PCPNPDS |
| 5 | 0515-1596 | 4 | STANDOFF |
| 6 | 0520-0174 | 3 | SCREW-MACH M256 X 250 PNHD |
| 7 | 0515-1461 | 9 | SCREW-MACH M3 X 0.5 6MM-LG 90DEG-FLH-HD |
| 8 | 0515-1461 | 9 | SCREW-MACH M3 X 0.5 6MM-LG 90DEG-FLH-HD |
| 9 | 0515-1461 | 9 | SCREW-MACH M3 X 0.5 6MM-LG 90DEG-FLH-HD |

Figure 4-13. A24 Tracking Generator Parts Identification (2 of 2)

Major Assembly and Cable Locations

Introduction

The various assemblies and cables of the spectrum analyzer are illustrated in this chapter. Refer to Chapter 4, "Replaceable Parts," for part numbers, assembly descriptions, and ordering information.

Contents

| Figure | Page |
|---|------|
| 5-1. HP 8591A A1 Front-Frame Assembly, Front and Rear Views | 5-3 |
| 5-2. HP 8591A Top View | 5-4 |
| 5-3. HP 8591A Top View, Option 010 and 011 | 5-5 |
| 5-4. HP 8591A Left-Side View of A7A1 | 5-6 |
| 5-5. HP 8591A Card-Cage Options, Top View | 5-7 |
| 5-6. HP 8591A Bottom View | 5-8 |
| 5-7. HP 8591A Options, Bottom View | 5-9 |
| 5-8. HP 8591A Front-End Assembly, Top View | 5-10 |
| 5-9. HP 8591A Front-End Assembly, Left-Side View | 5-11 |
| 5-10. HP 8591A YTO Assembly | 5-12 |
| 5-11. HP 8591A A24 Tracking Generator, Option 010 and 011 | 5-13 |

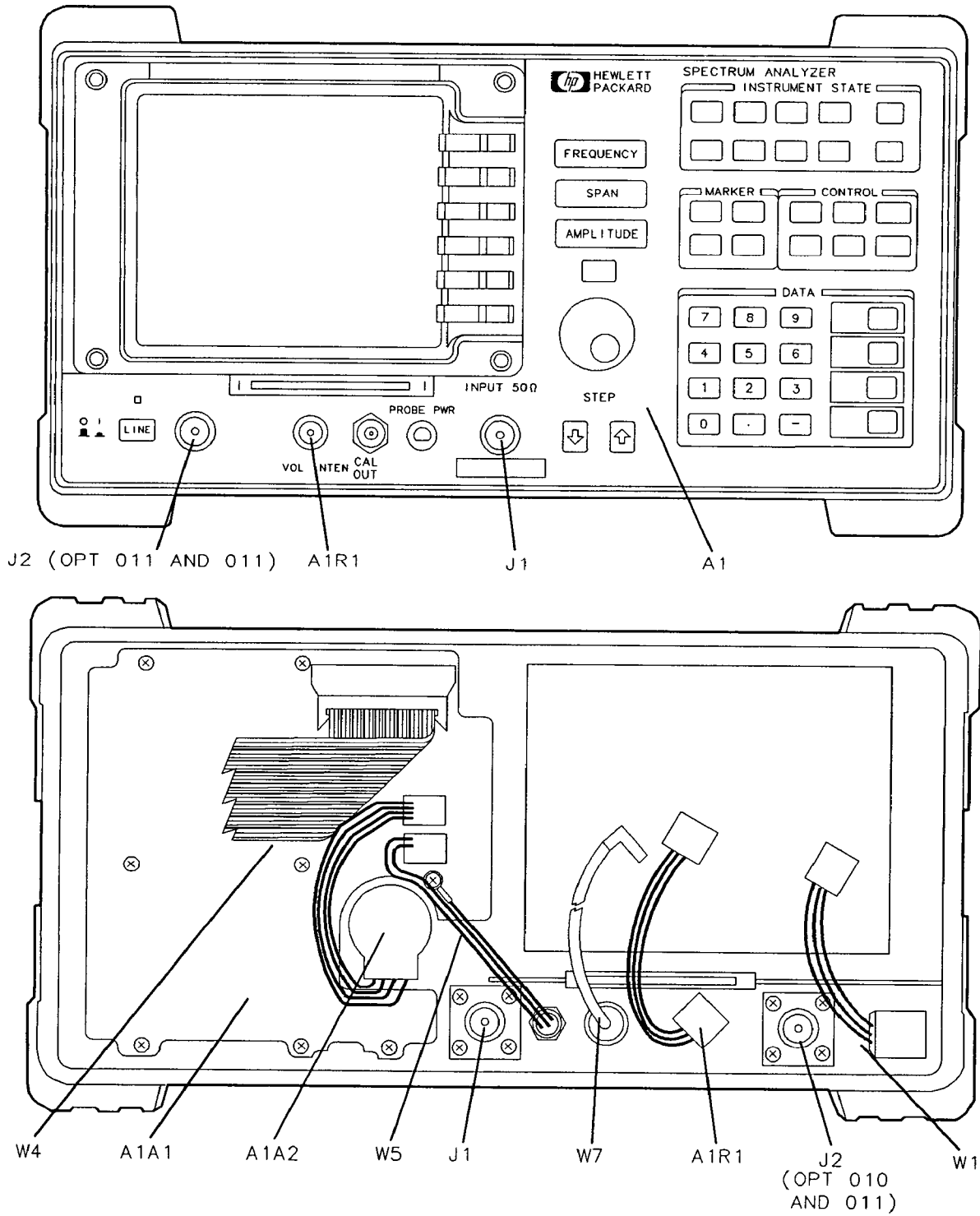


Figure 5-1. HP 8591A A1 Front-Frame Assembly, Front and Rear Views

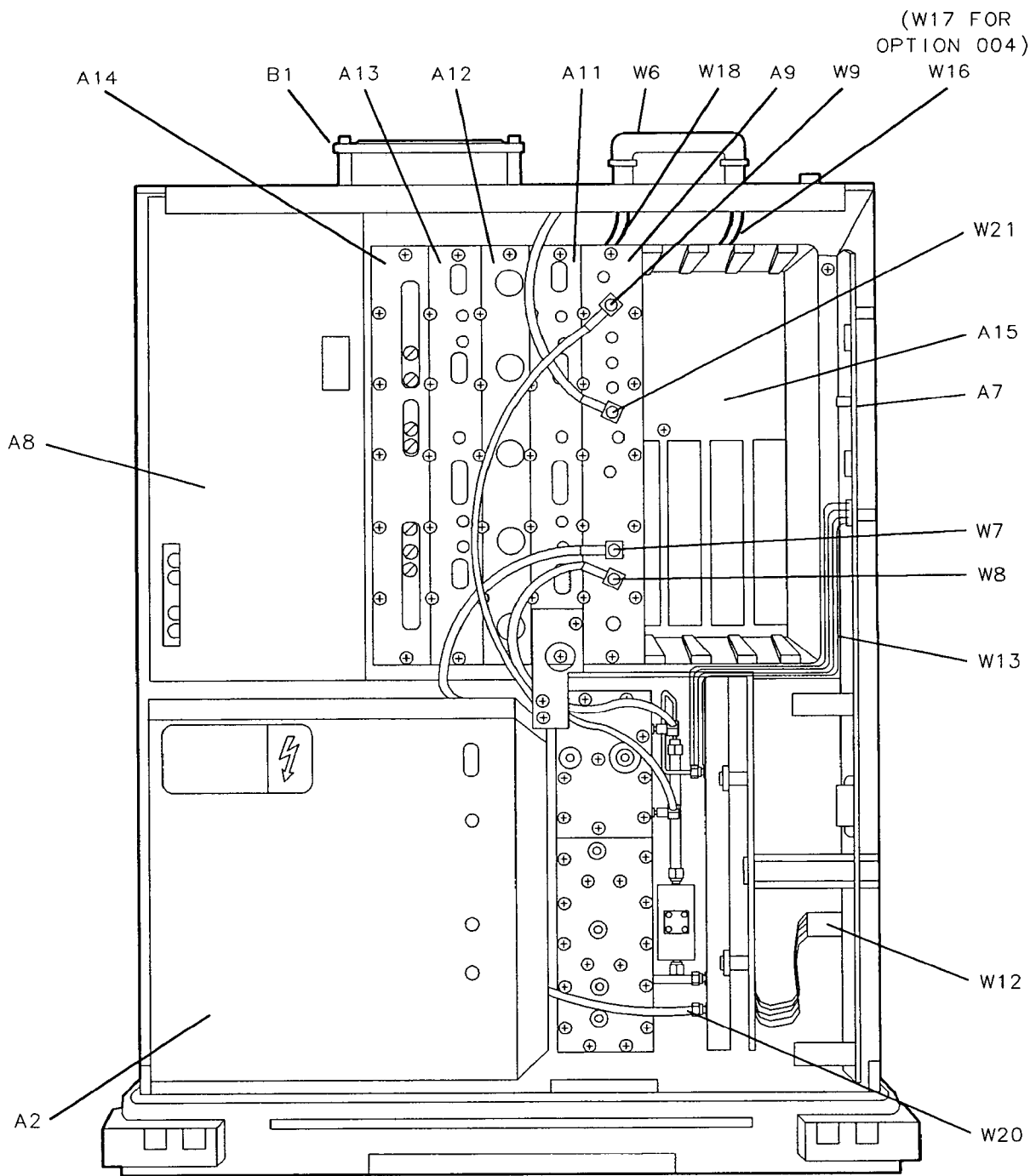


Figure 5-2. HP 8591A Top View

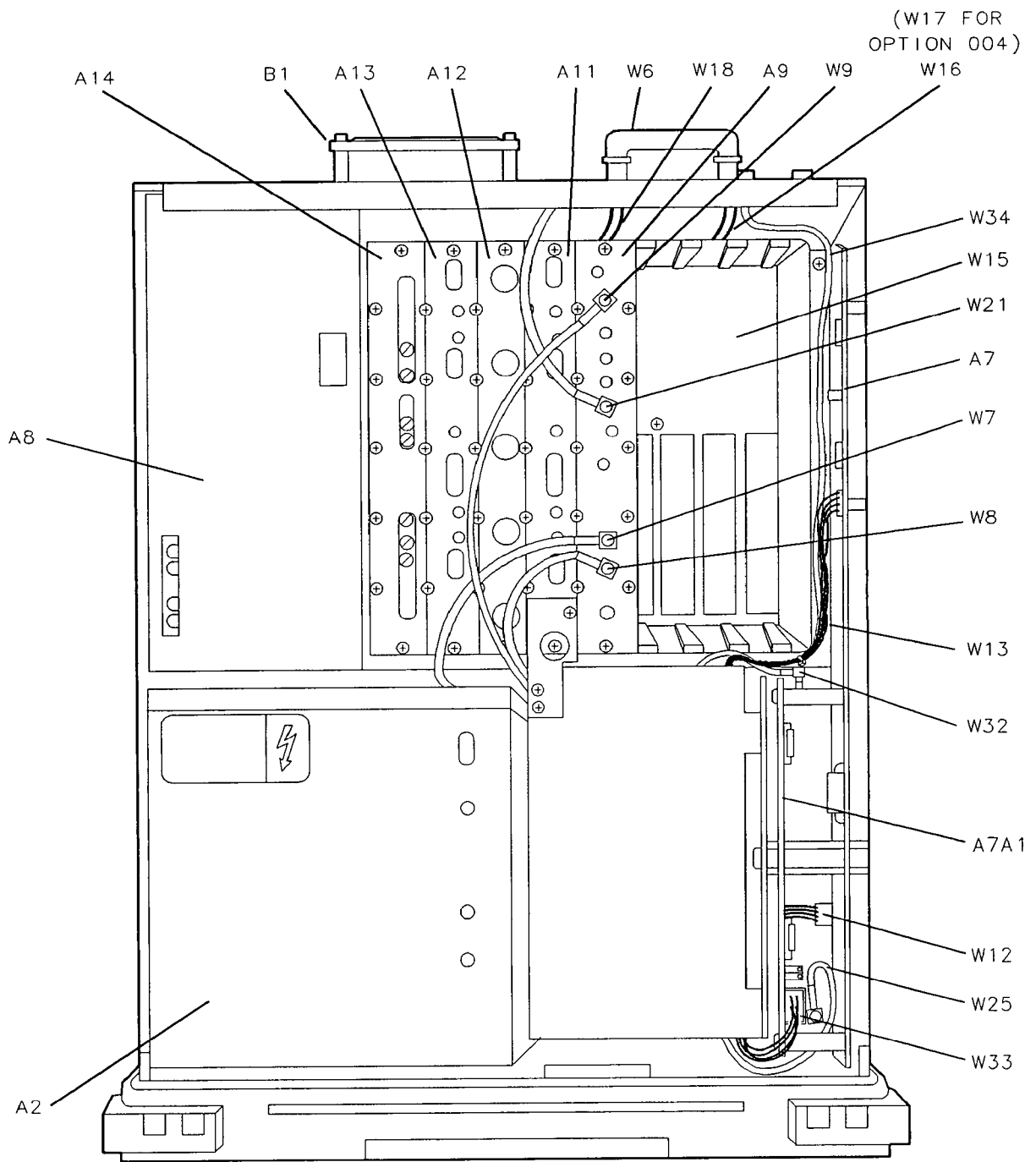


Figure 5-3. HP 8591A Top View, Option 010 and 011

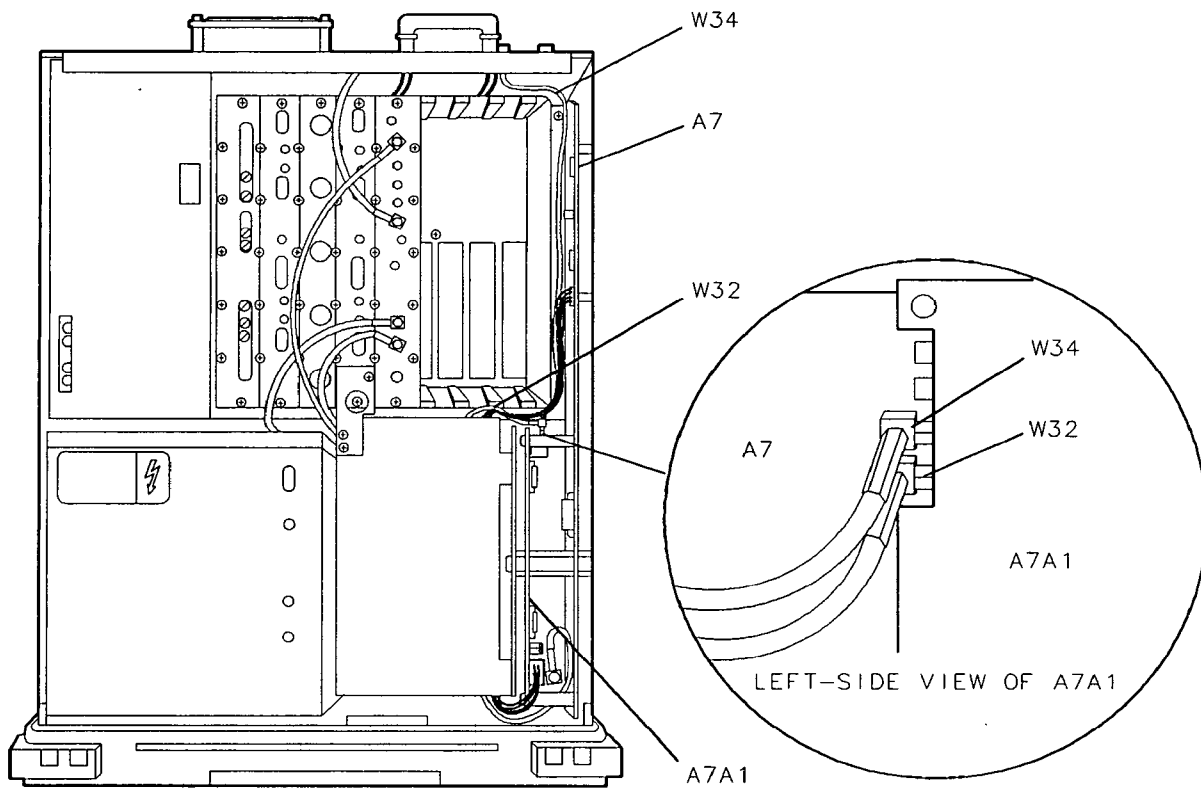


Figure 5-4. HP 8591A Left-Side View of A7A1

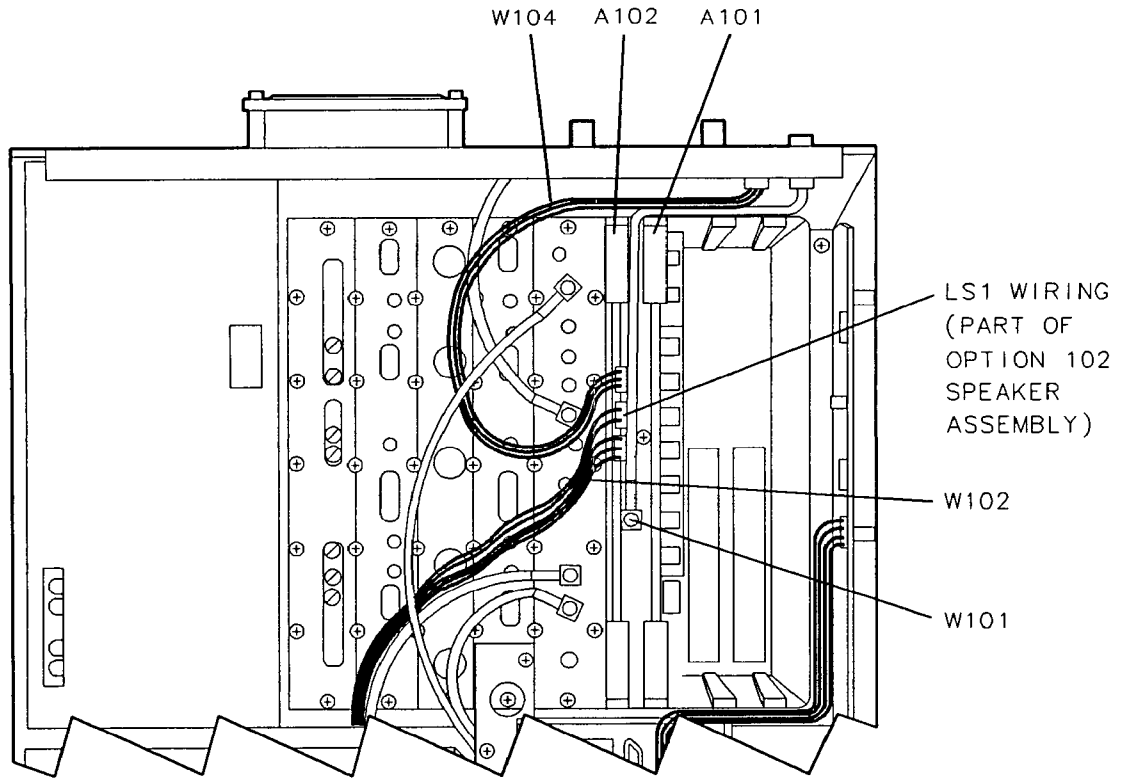


Figure 5-5. HP 8591A Card-Cage Options, Top View

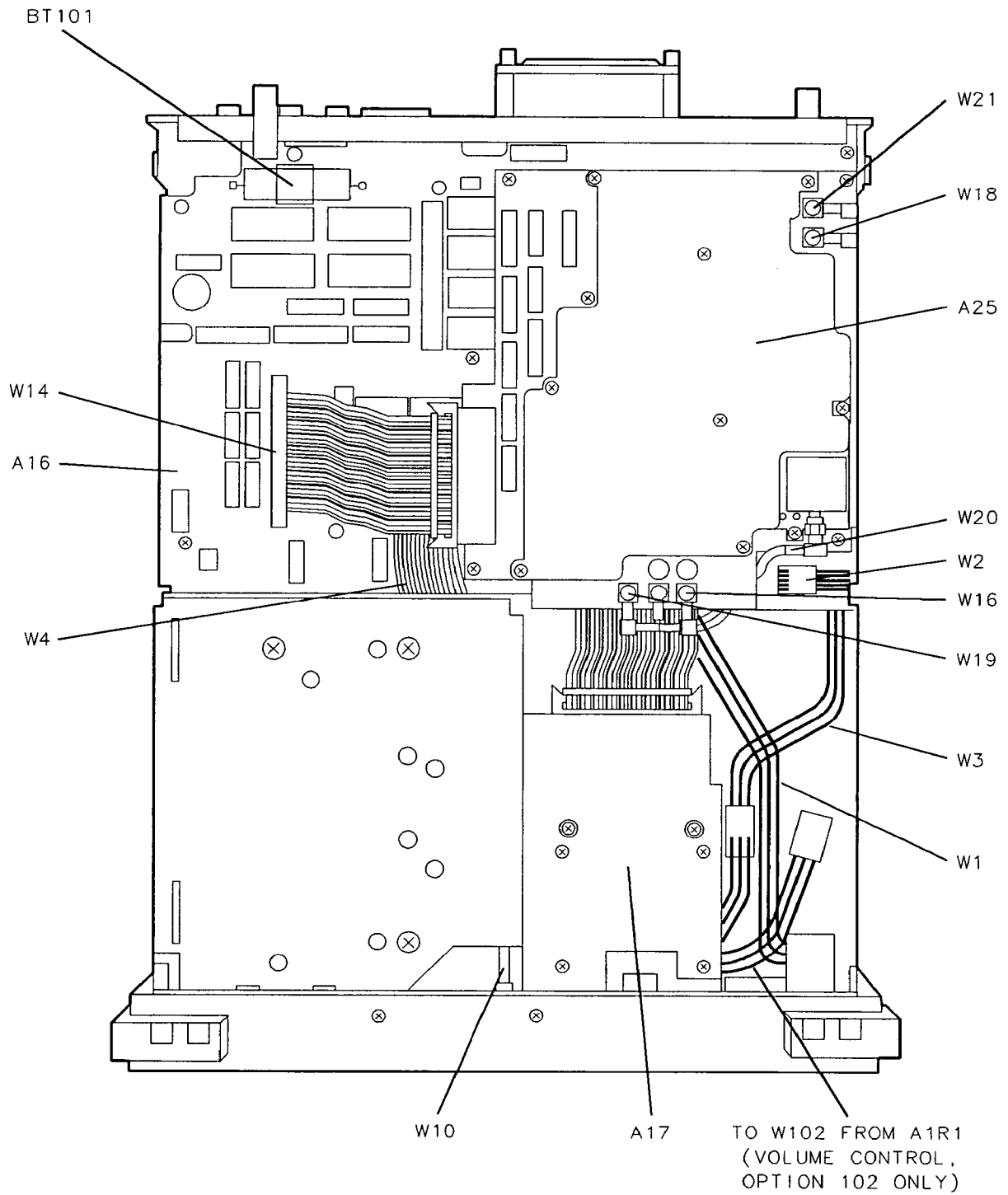


Figure 5-6. HP 8591A Bottom View

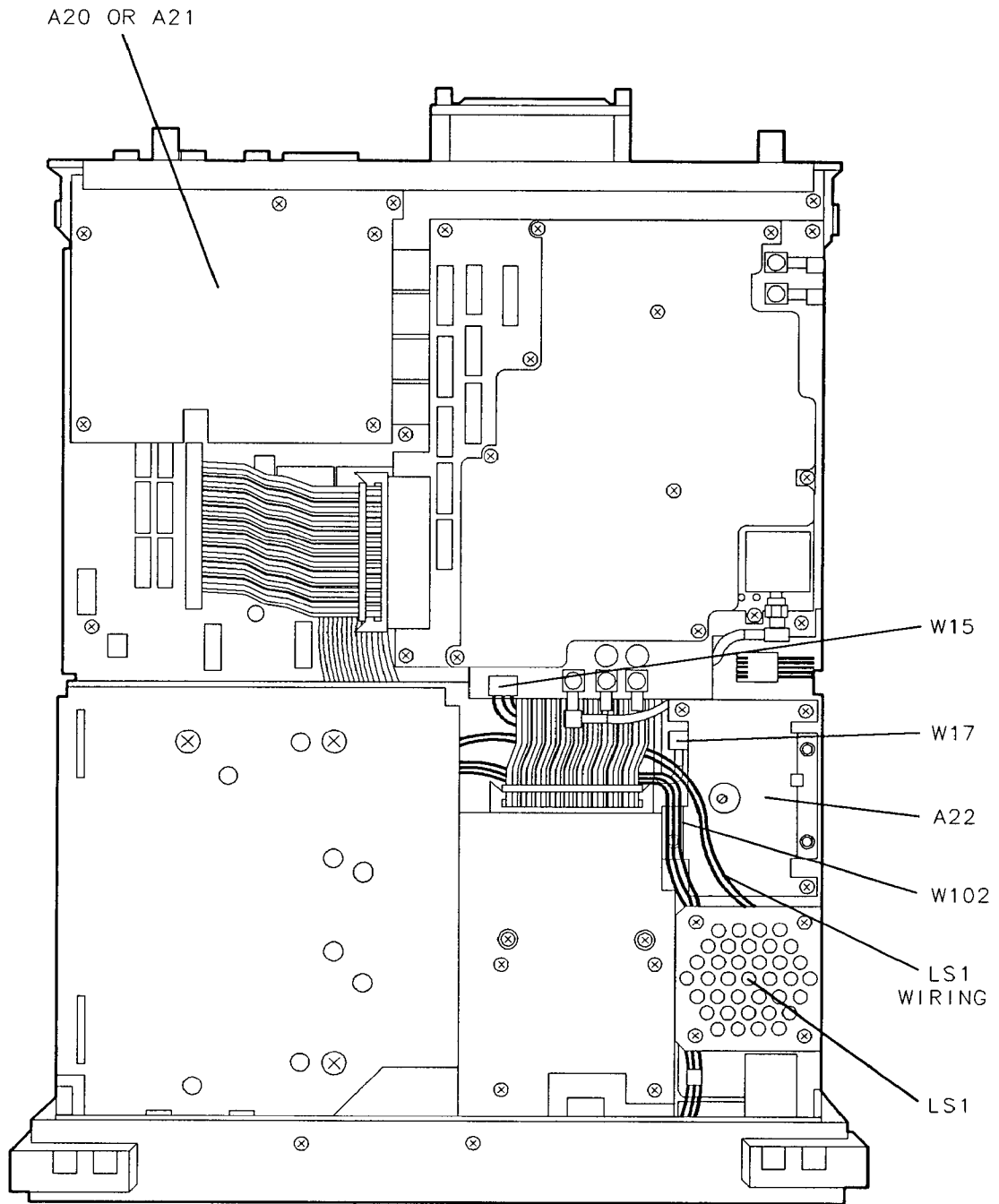


Figure 5-7. HP 8591A Options, Bottom View

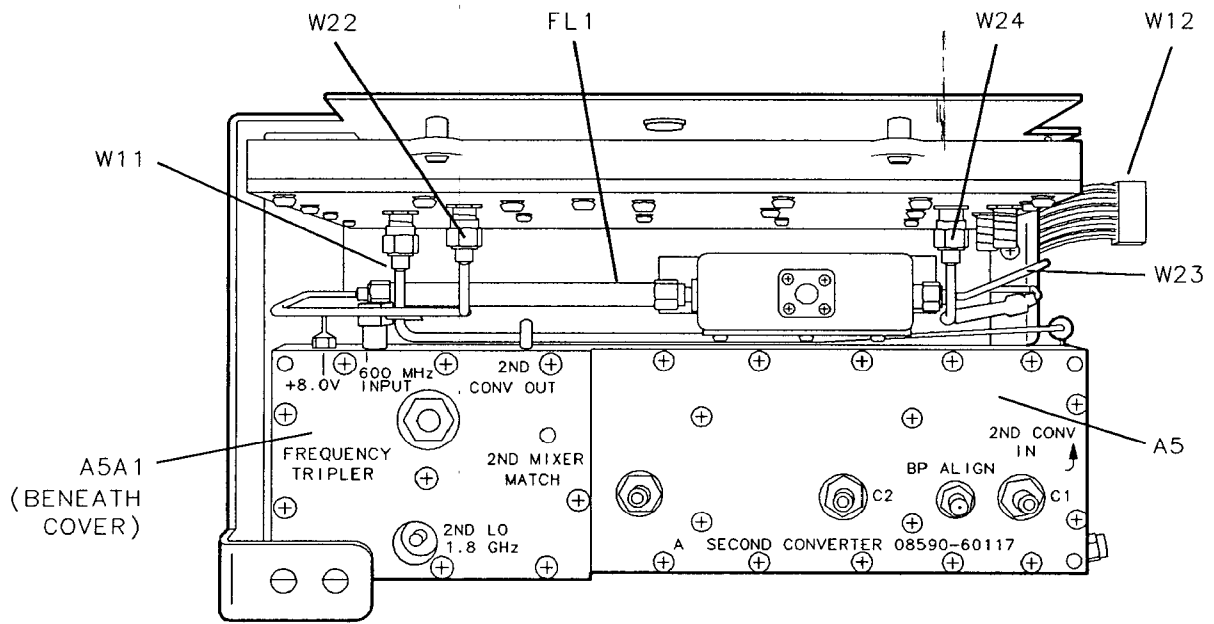


Figure 5-8. HP 8591A Front-End Assembly, Top View

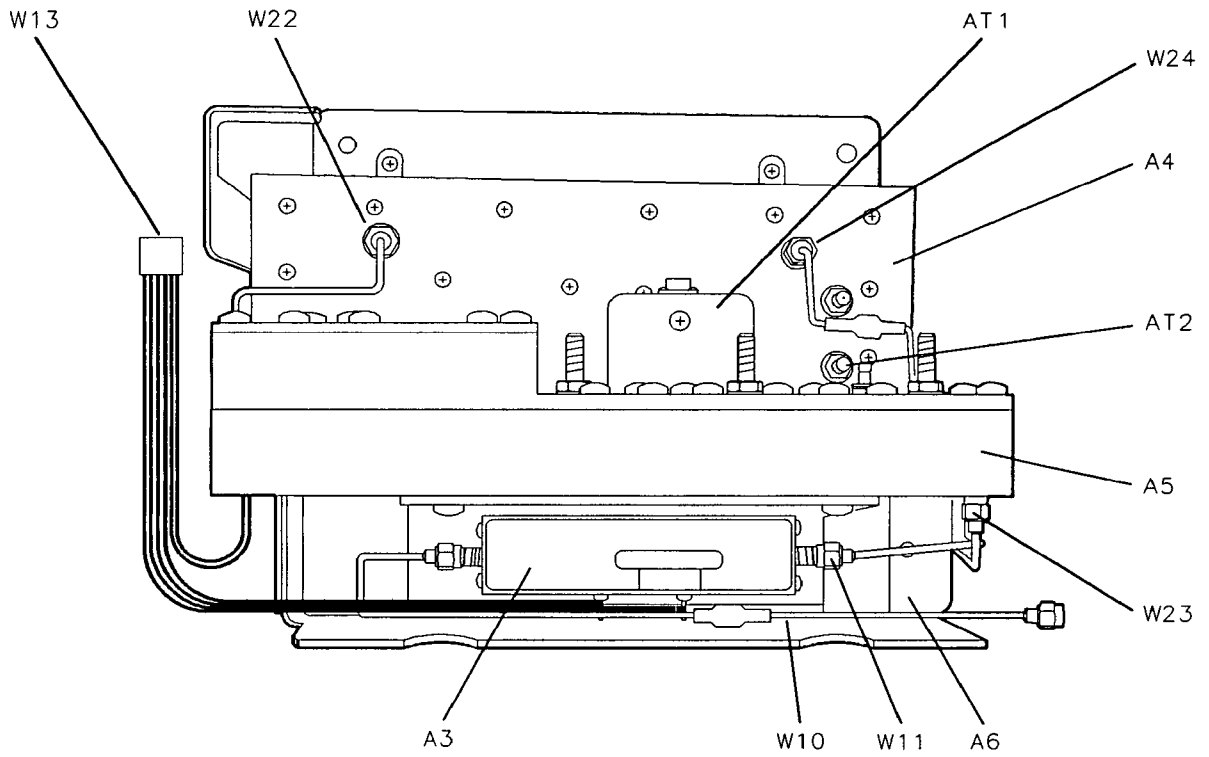


Figure 5-9. HP 8591A Front-End Assembly, Left-Side View

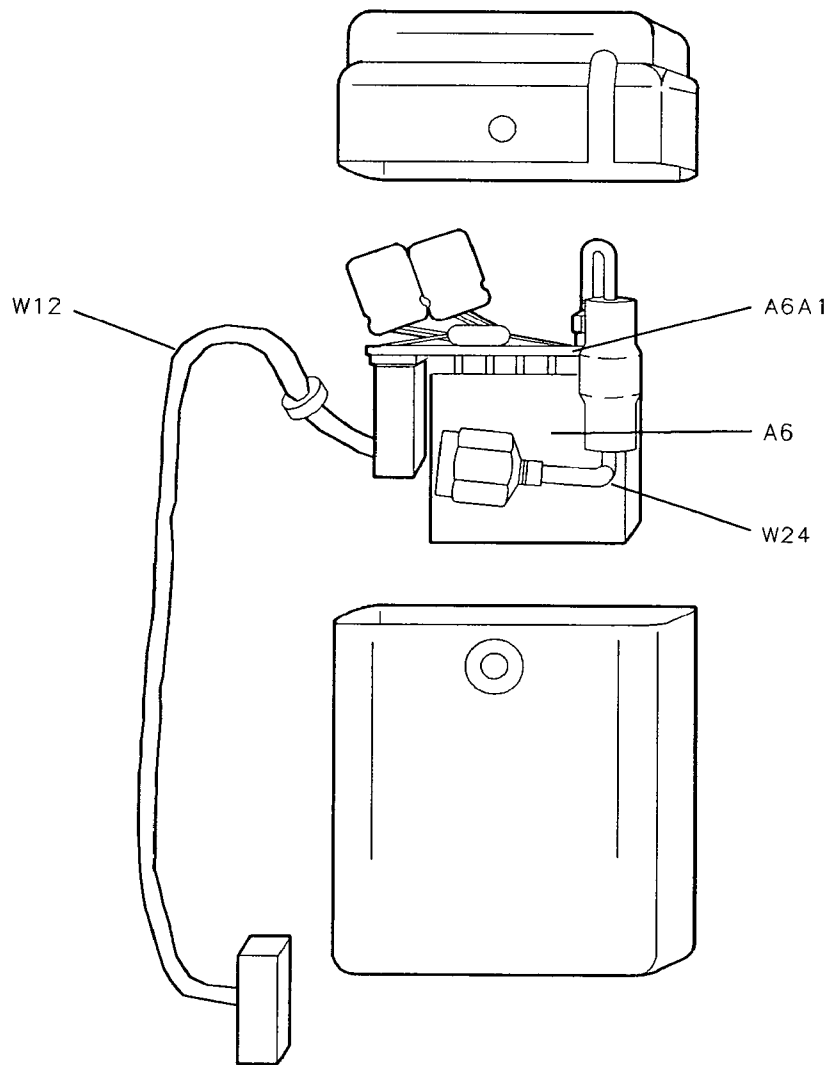


Figure 5-10. HP 8591A YTO Assembly

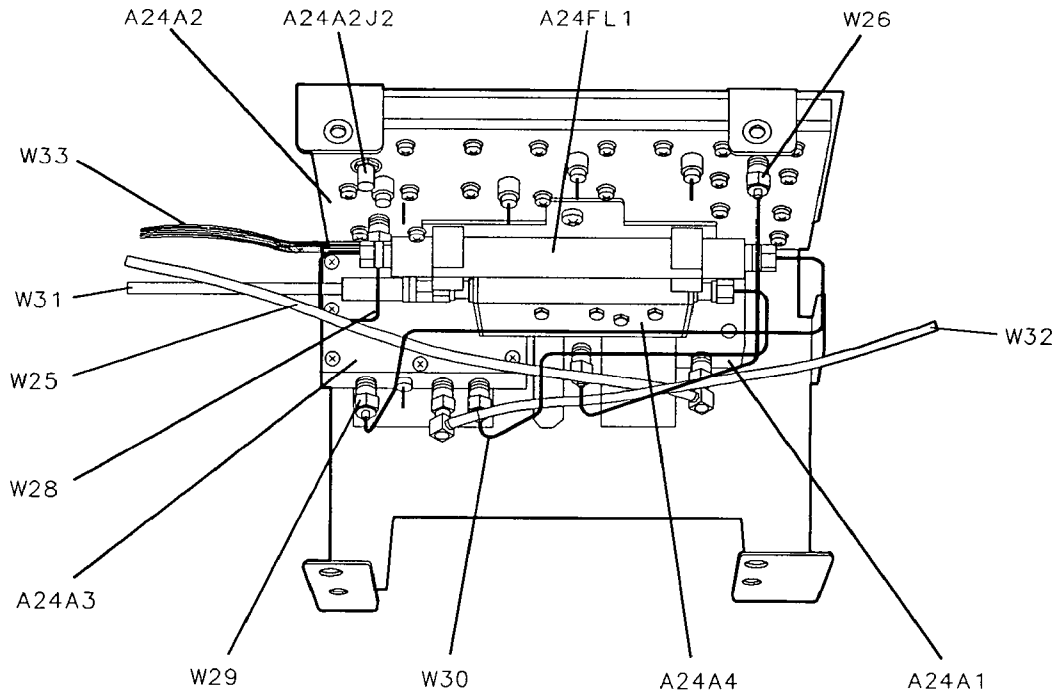


Figure 5-11. HP 8591A A24 Tracking Generator, Option 010 and 011

General Troubleshooting

Introduction

This chapter describes the operation of the HP 8591A and provides troubleshooting procedures that is useful when first working on an instrument failure. Refer to “Chapter Organization” for an overview of the troubleshooting information provided in this chapter and the chapters that follow.

Component-level information for the HP 8591A is provided in the *HP 8590B/91A/92B/93A Portable Spectrum Analyzers Component-Level Information* binder. Refer to Appendix A for a list of available component-level service information.

Before You Start Troubleshooting

There are three things you must do *before* you begin troubleshooting an instrument failure:

1. Familiarize yourself with the safety symbols marked on the analyzer, the general safety instructions, and the symbol definitions given in the front of this manual.
2. Read the section entitled “Protection from Electrostatic Discharge” in Chapter 1. The spectrum analyzer contains static-sensitive components.
3. Read the rest of this introductory section and become familiar with the organization of the troubleshooting information in this chapter and the chapters that follow.

Warning



The analyzer contains potentially hazardous voltages. Refer to the safety symbols on the analyzer and the general safety instructions in this manual before operating the unit with the cover removed. Failure to heed the safety precautions can result in severe or fatal injury.

Chapter Organization

This section provides the organization of the general troubleshooting information contained in this chapter and the more detailed troubleshooting information contained in Chapter 7 through Chapter 11.

Chapter 6, “General Troubleshooting.”

The first part of the chapter provides an overview of instrument operation and procedures for measuring power levels along the signal path from the analyzer input to the A16 Processor/Video assembly:

- Table 6-1, Assembly-to-Functional-Block Matrix. Provides an overview of the assemblies that are part of each functional section within the analyzer.
- Table 6-2, Adjustments and Tests for Replaced or Repaired Assemblies. Directs the user to adjustment and testing information to ensure that the analyzer meets its specifications after the replacement or repair of individual assemblies.
- Figure 6-1, Graphic Symbols Used on Schematic and Block Diagrams. Defines the symbols used on the block diagrams in this chapter.
- “RF and LO Section Overview.” Provides an introduction to the operation of the RF and LO sections.
- “Instrument Settings for RF Power Level Measurement.” Provides procedures for taking power-level measurements in the RF Section at the points shown on Foldout 6-1.
- Table 6-3, RF Power Levels at Measurement Points. Provides power levels for the measurement points shown on Foldout 6-1. The indicated power levels are valid only when the analyzer settings provided prior to the table are used.
- Foldout 6-1, RF Section Overall Block Diagram. Provides an overall block diagram of the RF and LO sections.
- “IF, Video, and Instrument Control Overview.” Provides an introduction to the operation of the IF and Processor/Video assemblies.
- “IF Power Levels at Measurement Points.” Provides procedures for taking power-level measurements in the IF Section at the points shown on Foldout 6-2. The indicated power levels are valid only when the analyzer settings provided in the procedure are used.
- Foldout 6-2, IF/Control Overall Block Diagram. Provides an overall block diagram of the IF, instrument control, and display sections.
- “Tracking Generator Information.” Provides Table 6-4 that details the tracking generator signals present at the W33 cable harness.
- Foldout 6-3, Tracking Generator Overall Block Diagram, Options 010 and 011. Provides an overall block diagram of the tracking generator.

The second part of Chapter 6 provides troubleshooting procedures that are useful when first starting to troubleshoot an analyzer failure:

- “Problems at Instrument Power-Up.” Provides troubleshooting procedures for failures that occur when the analyzer is first turned on.
- “Troubleshooting an Inoperative Analyzer.” Provides troubleshooting procedures to use when there is little evidence of what caused the analyzer to fail.

6-2 General Troubleshooting

- “A2 Display Troubleshooting.” Provides procedures for troubleshooting display problems.
- “Locating an RF/LO/IF or Video Problem.” Provides procedures for isolating a failure to the RF, LO, IF or Video section.

Chapter 7, “RF/LO Section Troubleshooting.”

This chapter provides further troubleshooting information for the RF and LO sections and the A9 Third Converter assembly.

- “RF Section.” Provides details for the control of the A3 Attenuator.
- “LO Section.” Provides a detailed block diagram of the LO section and additional information about the LO Section.
- “A9 Third Converter Assembly.” Provides a detailed block diagram of the A9 assembly and additional A9 information.
- “A25 Counter Lock Assembly.” Provides a detailed block diagram of the A25 assembly and additional information about A25 operation.

Chapter 8, “IF Section Troubleshooting.”

This chapter provides further troubleshooting information for the IF section.

- “IF Section.” Provides an overview of the individual gain stages for each IF assembly. Control line tables, which match the control lines for each IF assembly with their corresponding analyzer settings, are also provided.
- “A15 Motherboard Assembly.” Provides specific details for tracing signals that pass through the A15 Motherboard.

Chapter 9, “Control/Display Section Troubleshooting.”

This chapter provides information about the correction data stored in memory on the A16 Processor/Video assembly and the operation of the A7 Analog Interface assembly.

- “Backing Up Analyzer Correction Constants.” Provides procedures for recording the correction constant data and restoring the data to instrument memory.
- “A16 Memory Reset.” Provides procedures for initializing instrument memory after an instrument memory failure.
- “Analyzer Recovery after a A16 Memory Loss.” Provides procedures for restoring correction constants to analyzer memory, initializing lost analyzer settings, and recalibrating the analyzer, after a A16 memory failure.
- “A7 Analog Interface Assembly.” Provides a detailed block diagram of the A7 assembly and additional A7 information. Chapter 8 provides further control details for the assemblies that are controlled by the A16 assembly using various control voltages from the A7 assembly.

Chapter 10, “Softkey Descriptions.”

This chapter provides information about the calibration, service, and diagnostic softkey functions. Details about the instrument passcodes, the instrument correction data, and the function of each service-related softkey are also provided.

Chapter 11, “Analyzer Messages.”

This chapter describes how to interpret the analyzer messages that appear during instrument operation or when a failure occurs. Troubleshooting hints for each analyzer error message are also provided.

Service Equipment

- Refer to Table 1-4 for the recommended test equipment needed to troubleshoot and repair the analyzer. Although Hewlett-Packard equipment is recommended, other equipment may be used, provided that it meets the specifications shown in the table.
- Refer to Table 1-5 for a list of required service tools, and Table 1-6 for recommended hand tools.

Replacement Assemblies

The following assemblies are not repairable to the component level and must be replaced as an assembly.

- A2 Display.
- A3 Input Attenuator.
- A4 First Converter.
- A6 YTO.
- A8 Power Supply.
- A22 Precision Frequency Reference (Option 004).
- A25A1 Sampler.
- AT1 Isolator.
- FL1 Low-Pass Filter.
- J1 Input 75Ω Connector and Matching Resistor.

Refer to Chapter 4 when ordering replacement assemblies.

After an Instrument Repair

If one or more analyzer assemblies have been repaired or replaced, perform the related adjustments and performance verification tests. Refer to Table 6-2, Adjustments and Tests for Replaced or Repaired Assemblies, for the related adjustments and performance verification tests required for each assembly.

Table 6-1. Assembly-to-Functional-Block Matrix

| Assembly Description | Display/Control Section | RF Section | LO Section | IF Section |
|---|-------------------------|------------|------------|------------|
| A1 Front Frame | x | | | |
| A2 Display | x | | | |
| A3 Attenuator | | x | | |
| A4 First Mixer | | x | | |
| A5 Second Converter | | x | | |
| A6 YTO | | | x | |
| A7 Analog Interface | x | x | x | x |
| A8 Power Supply | x | x | x | x |
| A9 Third Converter | | x | x | |
| A11 Bandwidth Filter | | | | x |
| A12 Amplitude Control | | | | x |
| A13 Bandwidth Filter | | | | x |
| A14 Log Amplifier | | | | x |
| A15 Mother Board | x | | | x |
| A16 Processor/Video | x | | | x |
| A17 Memory Card | x | | | |
| A25 Counter-Lock | | | x | |
| AT1 Isolator | | x | | |
| FL1 4.9 GHz Low Pass Filter | | x | | |
| <i>Optional Assemblies</i> | | | | |
| A20 HP-IB Interface, Option 021 | x | | | |
| A21 RS-232 Interface, Option 023 | x | | | |
| A101 Fast Time Domain Sweeps, Option 101 | x | | | |
| A102 AM/FM Speaker and TV Synch Trigger, Option 102 | x | | | |

Table 6-2. Adjustments and Tests for Replaced or Repaired Assemblies

| Replaced or Repaired Assembly | Perform These Related Adjustments and Adjustment Routines in the order shown | Perform These Related Performance Verification Tests in Addition to Operation Verification |
|-------------------------------|---|--|
| A1 Keyboard | None | Input Attenuator Accuracy Frequency Response Residual Responses |
| A2 Display | Display Adjustment | Input Attenuator Accuracy Frequency Responses Residual Responses |
| A3 Attenuator | CAL FREQ Adjustment Routine CAL AMPTD Adjustment Routine | Input Attenuator Accuracy Frequency Response |
| A4 First Converter | Frequency Response CAL FREQ Adjustment Routine CAL AMPTD Adjustment Routine | Noise Sidebands System Related Sidebands Frequency Response Spurious Response Gain Compression Displayed Average Noise Level Residual Responses |
| A5 Second Converter | Second Converter CAL FREQ Adjustment Routine CAL AMPTD Adjustment Routine | Noise Sidebands Residual FM System Related Sidebands Frequency Response Spurious Response Gain Compression Displayed Average Noise Level Residual Responses |
| A6 YTO | CAL FREQ Adjustment Routine CAL AMPTD Adjustment Routine | Noise Sidebands Residual FM System Related Sidebands Frequency Span Readout Accuracy Frequency Response Spurious Response Displayed Average Noise Level Residual Responses |
| A7 Analog Interface | CAL FREQ Adjustment Routine CAL AMPTD Adjustment Routine | Frequency Readout Accuracy and Marker Count Accuracy Noise Sidebands Residual FM System Related Sidebands Frequency Span Readout Accuracy Sweep Time Accuracy Scale Fidelity Input Attenuator Accuracy Reference Level Accuracy |
| A8 Power Supply | Power Supply Adjustment | System Related Sidebands Spurious Response Residual Responses |

**Table 3-2. Adjustments and Tests for Replaced or Repaired Assemblies
(continued)**

| Replaced or Repaired Assembly | Perform These Related Adjustments and Adjustment Routines in the order shown | Perform These Related Performance Verification Tests in Addition to Operation Verification |
|--|--|---|
| A9 Third Converter | Third Converter Second IF Bandpass Adjustment Calibrator Amplitude Adjustment CAL FREQ Adjustment Routine CAL AMPTD Adjustment Routine | Noise Sidebands Residual FM System Related Sidebands Reference Level Accuracy Calibrator Amplitude Accuracy Spurious Response Displayed Average Noise Level Residual Responses |
| A11 1st Bandwidth Filter | Crystal and LC Bandwidth Filter CAL FREQ Adjustment Routine CAL AMPTD Adjustment Routine | Scale Fidelity Resolution Bandwidth Switching Uncertainty |
| A12 Amplitude Control | CAL FREQ Adjustment Routine CAL Attenuator Error Correction CAL AMPTD Adjustment Routine | Reference Level Accuracy Displayed Average Noise Level |
| A13 2nd Bandwidth Filter | Crystal and LC Bandwidth Filter CAL FREQ Adjustment Routine CAL AMPTD Adjustment Routine | Scale Fidelity Resolution Bandwidth Switching Uncertainty |
| A14 Log Amplifier | Log and Linear Amplifier CAL FREQ Adjustment Routine CAL AMPTD Adjustment Routine | Scale Fidelity Reference Level Accuracy |
| A15 Motherboard | CAL FREQ Adjustment Routine CAL AMPTD Adjustment Routine | Operation Verification |
| A16 Processor/ Video | 10 MHz Reference (Standard) Cal Attenuator Error Correction* Frequency Response* CAL FREQ Adjustment Routine CAL AMPTD Adjustment Routine Time and Date | Reference Level Accuracy Frequency Response |
| A17 Memory Card | None | None† |
| A20 HP-IB I/O Option 021 | None | None |
| A21 RS-232 I/O Option 023 | None | None |
| A22 Precision Frequency Reference, Option 004 | 10 MHz Reference (Option 004) | 10 MHz Ref Output Accuracy (Opt 004) |
| * These adjustments are not necessary if valid correction constants are recovered from the defective A16 assembly. See the "A16 Processor/Video Board Assembly" replacement procedure, Chapter 3, Replacement Procedures | | |
| † Perform the examples from the IVO manual that demonstrate the operation of this assembly. | | |

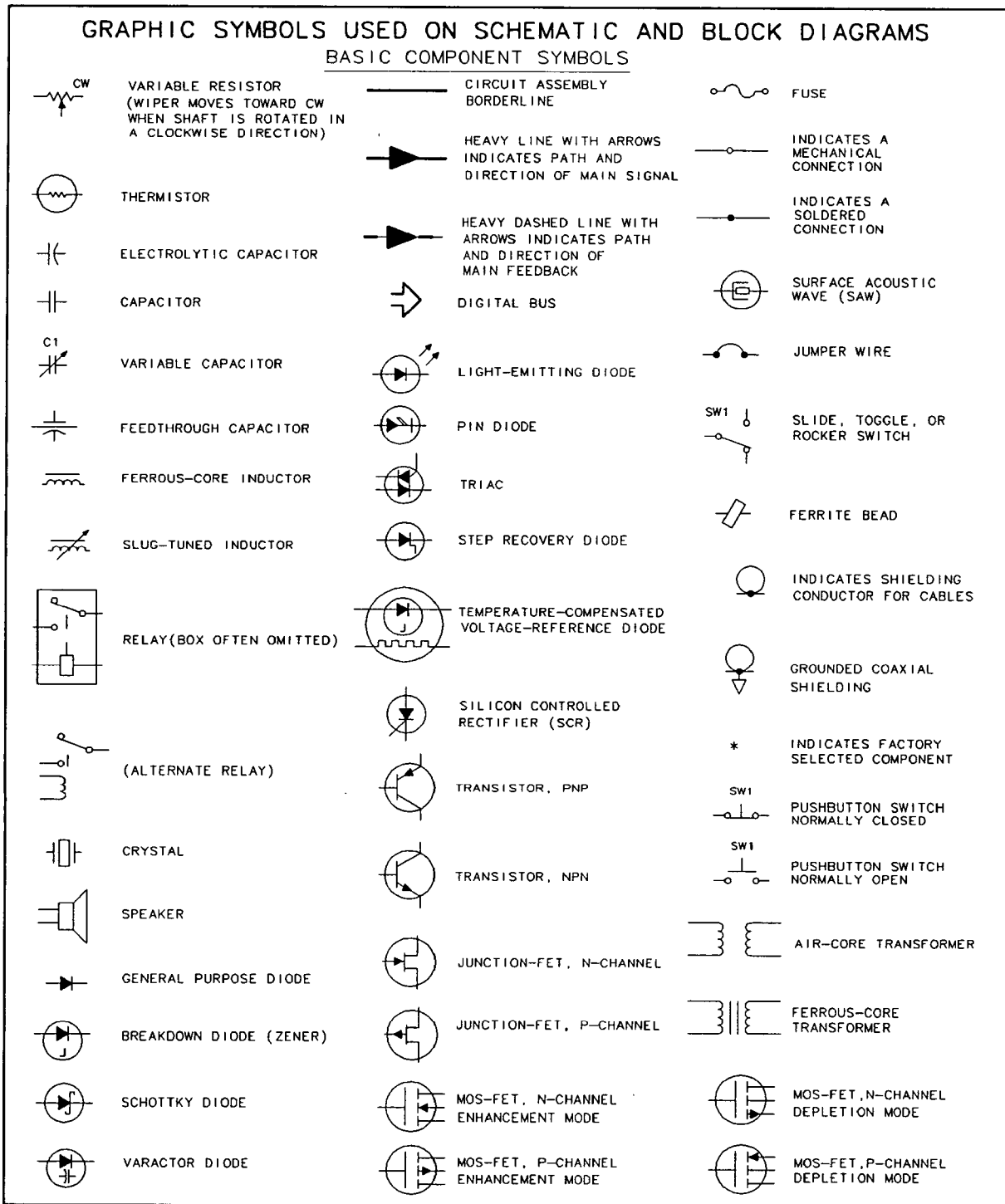


Figure 6-1. Graphics Symbols Used on Schematic and Block Diagrams (1 of 2)

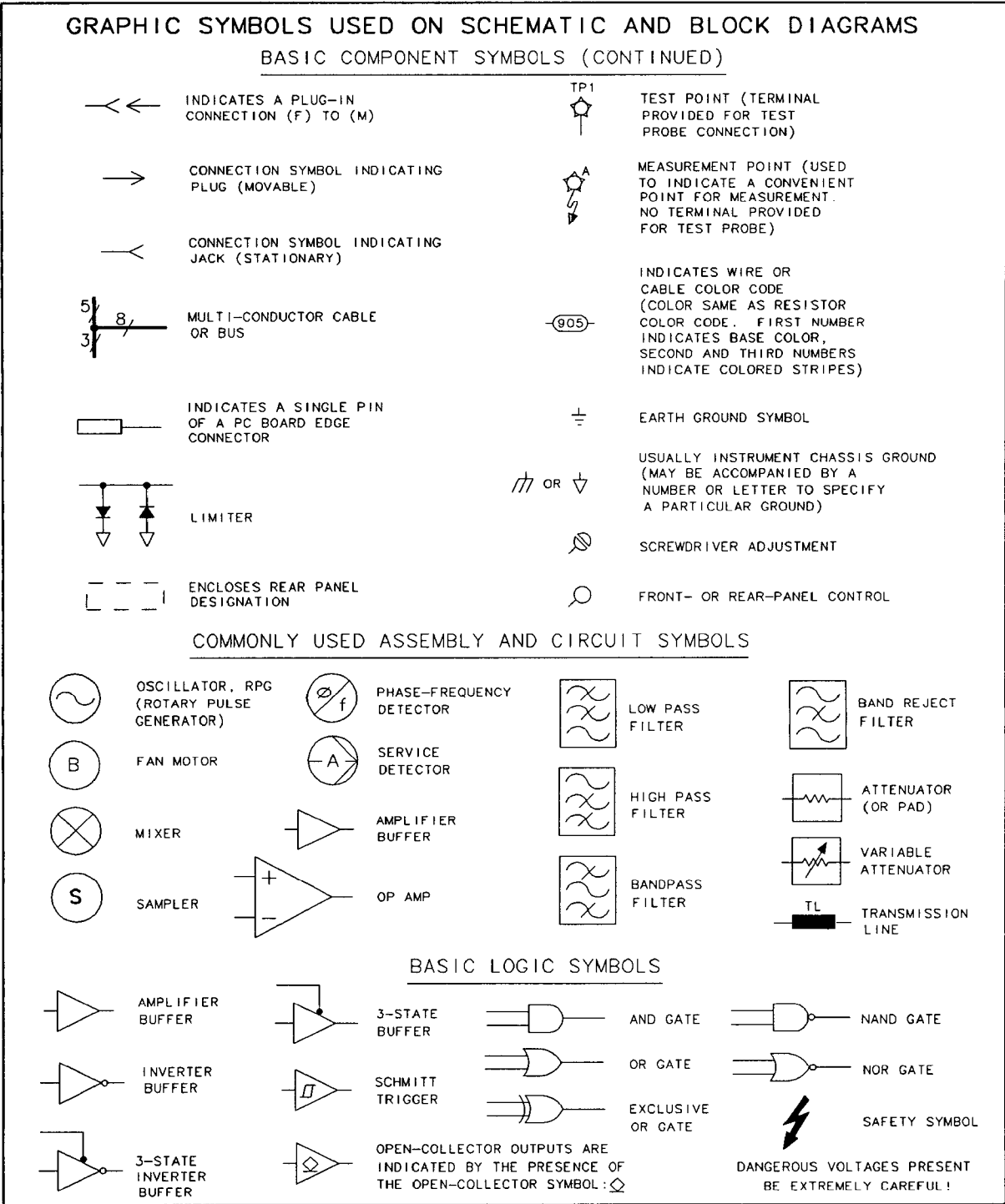


Figure 6-1. Graphics Symbols Used on Schematic and Block Diagrams (2 of 2)

RF and LO Section Overview

This section describes the operation of the A3 Front-End assembly and the A25 Counter Lock assembly. The related operation of the A7 Analog Interface assembly and the A9 Third Converter are also described. Each block of text describes an instrument assembly designated by its reference designator. Foldout 6-1, RF Section Overall Block Diagram, illustrates the assembly descriptions in this section.

The analyzer is a microprocessor-controlled swept receiver covering a frequency range of 9 kHz to 1.8 GHz. Frequency accuracy is enhanced by counter-locking the local oscillator to a 10 MHz frequency reference. The overall description briefly describes each of the major instrument assemblies.

RF Section Description

The RF front-end section uses triple conversion to convert RF signals to the final 21.4 MHz IF frequency.

J1 Input Connector

The analyzer RF section receives input signals via a 50 Ω input or 75 Ω input (Option 001). To protect the attenuator and input mixer from damage refer to “Analyzer Input Protection” in Chapter 1 for maximum input level requirements.

A3 Input Attenuator

The A3 Input Attenuator has a 0 to 60 dB range that provides input attenuation in 10 dB steps. **PRESET** or instrument power-on selects 10 dB attenuation. If **POWERON LAST** is selected, the analyzer is reset to the settings in use when the analyzer was turned off.

A4 First Converter

The A4 First Converter assembly converts incoming signals to an 2.1214 GHz 1st IF by mixing the 2.1214 GHz to 3.9214 GHz LO signal from the A6 YTO assembly with the input signal. The 1st IF signal is the summed signal from the mixing process. For analyzers that are not equipped with a tracking generator, Option 010 or Option 011, the J4 output for the tracking generator is terminated.

FL1 Low-Pass Filter and AT1 Isolator

The 1st IF signal is routed through FL1, a 4.9 GHz low-pass filter, and the AT1 Isolator. The devices limit unwanted mixing products and isolate the A4 First Converter from the A5 Second Converter.

A5 Second Converter

The 2.1214 GHz 1st IF signal is downconverted by the A5 Second Converter to a 321.4 MHz 2nd IF. This is accomplished by mixing the 1st IF signal with the 1.8 GHz 2nd LO signal. The 2nd LO signal is produced by multiplying the 600 MHz signal from the A9 Third Converter by three.

The 2.1212 GHz bandpass filter is a high Q filter that eliminates unwanted mixing products. Its performance is due to the resonant characteristics of three precisely machined cavities in an aluminum block.

6-10 General Troubleshooting

The 321.4 MHz matching filter is an adjustable bandpass filter that prevents unwanted mixing products from passing on to the A9 Third Converter.

A9 Third Converter

The A9 Third Converter performs five functions:

- Produces the 300 MHz CAL OUT signal. The CAL OUT signal is rich in harmonics; these are required for the CAL FREQ self-calibration routine.
- Provides the 600 MHz reference to the multiplier on the A5 Second Converter assembly.
- Sends a 300 MHz signal to the A25 Counter Lock assembly. The A25 assembly locks the 300 MHz signal to the 10 MHz frequency reference.
- Converts the 321.4 MHz IF signal to the final 21.4 MHz IF signal.
 - The 321.4 MHz IF signal is first amplified and filtered by the 321.4 MHz bandpass filter.
 - The 600 MHz reference is divided to produce the 300 MHz 3rd LO. Refer to “LO Section Information” in Chapter 7 for information on the stability of the 600 MHz reference.
 - The filtered 321.4 MHz IF signal and the 300 MHz third LO mix at the third mixer, a double-balanced mixer, to produce the 21.4 MHz IF.
 - The 21.4 MHz IF passes through a 21.4 MHz bandpass filter, a buffer amplifier with a nominal 19 dB of gain, and a variable IF calibration amplifier. The variable amplifier has a gain range of -15 to $+2$ dB.
- Changes the amplitude of the 21.4 MHz IF signal to calibrate the instrument during the CAL AMPTD self-calibration routine.
 - The amplitude of the detected 21.4 MHz IF signal is measured on the A16 Processor/Video assembly.
 - The A7 Analog Interface assembly adjusts the gain of the IF calibration amplifier based on the A16 amplitude measurement.
 - The CAL AMPTD routine adjusts the output of the A9 IF calibration amplifier for a displayed amplitude of -20 dBm at 300 MHz. The instrument is set for a reference level of -20 dBm and a center frequency of 300 MHz. (The calibration routine uses the CAL OUT signal.)

LO Section Description

10 MHz Frequency Reference

The 10 MHz frequency reference is used to phase-lock the 600 MHz oscillator on the A9 Third Converter. There are two frequency references available for the HP 8591A:

- The standard 10 MHz room temperature crystal oscillator (RTXO). The reference is located on the A25 Counter Lock assembly.
- The optional A22 Precision Frequency Reference (PFR), Option 004. The A22 is a 10 MHz oven-controlled crystal oscillator (OCXO).

The output from either frequency reference is sent to the rear-panel 10 MHz REF OUTPUT connector. The W16 cable that connects the RTXO to the rear panel is replaced by W17

when the OCXO is installed in the analyzer. A jumper on the rear panel connects the 10 MHz REF OUTPUT to the EXT REF IN connector.

If an external frequency reference is desired, the jumper is removed and the external reference connected to the EXT REF IN connector. EXT REF IN is connected to the reference PLL circuitry on A25 assembly. Refer to the *HP 8591A/8593A Installation, Verification, and Operation Manual* for the power level required when using the EXT REF IN connector.

A25 Counter Lock

The A25 Counter Lock assembly improves the frequency stability of the analyzer by phase-locking the 600 MHz reference on the A9 assembly to the 10 MHz frequency reference and count-locking the center frequency of the LO.

In spans less than or equal to 10 MHz, the A25 assembly further improves LO stability and frequency accuracy by frequency-locking the LO sweep, using a frequency discriminator.

The 300 MHz CNTR LOCK OUT signal from A9 and the 10 MHz reference from the rear panel of the analyzer are fed to the reference PLL circuitry on the A25 Counter Lock assembly.

- The 300 MHz signal is divided by 40 to yield a 7.5 MHz reference signal for use by the frequency counter, discriminator, and sampling oscillator PLL.
- The 10 MHz reference and 7.5 MHz signal are divided and compared in a phase/frequency detector.
- The detector output tunes the 600 MHz reference via the VTO_TUNE line.

The sampling oscillator PLL on A25 can be tuned between 279 MHz and 298 MHz in 150 kHz steps. The output of the sampling oscillator PLL drives the A25A1 Sampler.

A25A1 Sampler

The A25A1 Sampler mixes the 1st LO with a harmonic of the sampling oscillator to produce the 76 MHz to 89 MHz sampler IF output. In the phase-locking process, the sampler IF is counted and the YTO tune DACs on the A7 Analog Interface assembly are adjusted until the actual sampler IF frequency is equal to the desired sampler IF. In YTO spans of 10 MHz or less, the sampler IF is also applied to a discriminator. The output of the discriminator (DISCRIM) fine-tunes the YTO precisely to the center frequency.

A6 YIG Tuned Oscillator

The A6 YTO contains a YIG (yttrium-iron-garnet) which is a ferro-magnetic material polished into a small sphere and precisely oriented in a magnetic field. The A7 Analog Interface Assembly provides the control current that alters the magnetic field to generate the required YTO frequency.

The YTO provides the 2.1214 GHz to 3.9214 GHz 1st LO. The YTO output is sent to a power splitter in the A4 First Converter Assembly. The power splitter routes the 1st LO signal to the first mixer and the A25A1 Sampler.

A7 Analog Interface

The A7 Analog Interface assembly receives digital control input on the I/O bus control lines from the A16 Processor/Video assembly, and produces analog control signals for most of the instrument functions. This section describes several of the control functions illustrated on Foldout 6-1.

- Provides control voltages for the Sweep Generator and Span Dividers:
 - The SWEEP RAMP output is 0 to +10 V.
 - The RAMP output is -10 V to +10 V for any span.
 - Two SPAN signals, MAIN SPAN and FM SPAN, are generated by attenuating the RAMP signal. The amplitude of the SPAN signals depends on the span setting selected.
 - The MAIN SPAN signal is used for LO spans greater than 10 MHz.
 - The FM SPAN signal is used for LO spans less than or equal to 10 MHz.
 - The MAIN SPAN and FM SPAN signals are fed to the YTO drivers to sweep the YTO frequency.
- Controls the center frequency of the YTO:
 - The YTO tune DACs in the A7 YTO driver circuitry determine the center frequency of the YTO.
 - For LO spans greater than 10 MHz, the MAIN SPAN signal is summed with the output of the YTO tune DAC in the YTO main coil driver.
 - For LO spans less than or equal to 10 MHz, the FM SPAN signal is summed with the A25 DISCRIM signal in the FM coil driver. The DISCRIM signal is used to lock the YTO precisely to the center frequency.
 - The control voltages produced using either SPAN signal are then converted to currents that drive the A6 YTO.

Instrument Settings for RF Power-Level Measurements

Ensure that the CAL OUT amplitude is within specification. (Refer to the Calibrator Amplitude Performance Test in the *HP 8591A/8593A Installation, Verification, and Operation Manual*.)

The power level ranges listed for measurements A through G in Table 6-3 apply under the following conditions:

1. Connect CAL OUT to the RF INPUT using the CAL cable.
2. Press the following instrument keys:

PRESET

Wait for the analyzer to complete the instrument preset routine.

FREQUENCY 300 MHz

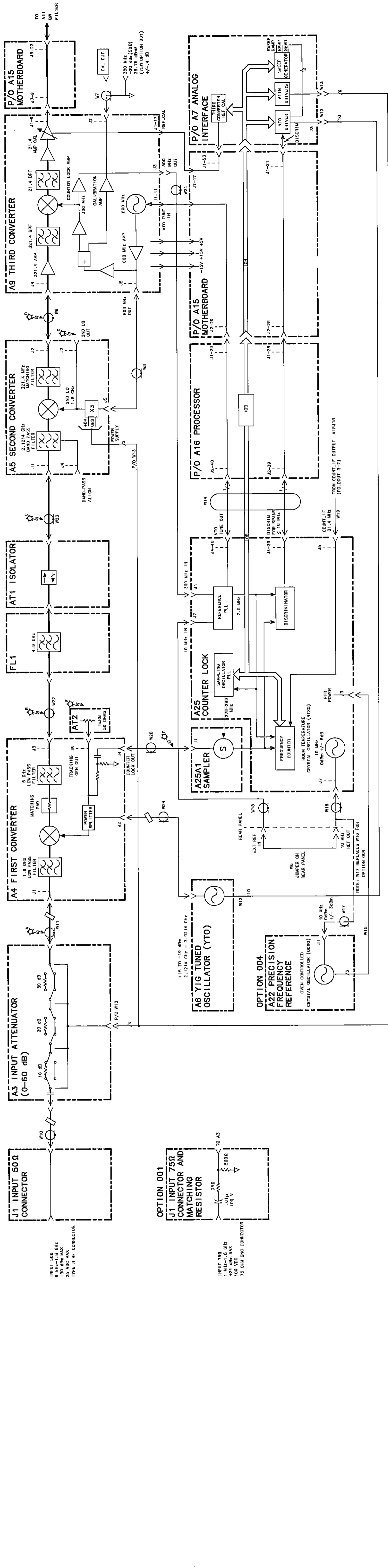
SPAN 0 Hz

Table 6-3. Power Levels at Measurement Points

| Measurement Point | Measurement Frequency | Power Level Range * (dBm) | |
|-------------------|-----------------------|---------------------------|------------------|
| | | 50Ω | 75Ω (Option 001) |
| A | 300 MHz | -29 to -31 | -31 to -33 |
| B | 2.1214 GHz | -39 to -43 | -41 to -45 |
| C | 2.1214 GHz | -39 to -44 | -41 to -46 |
| D | 321.4 MHz | -42 to -46 | -44 to -48 |
| E | 2.4214 GHz | +6 to +12 | Same as 50Ω |
| F | 2.4214 GHz | -10 to -20 | Same as 50Ω |
| G | 1.8 GHz | -17 to -23 | Same as 50Ω |

* A frequency-selective measuring device, such as another spectrum analyzer, is recommended for making these measurements. Broadband measuring devices, such as power meters, give erroneous results due to the presence of other, higher-amplitude signals.

RF SECTION



FOLIOUT 6-1. HP 8591A RF SECTION, OVERALL BLOCK DIAGRAM
General Troubleshooting 6-15

IF, Video, and Instrument Control Overview

This section describes the operation of the IF section assemblies and the A16 Processor/Video assembly. The related operation of the A7 Analog Interface assembly and the A8 Power Supply are also described. Foldout 6-2, IF/Control Overall Block Diagram, illustrates the assembly descriptions in this section.

The A15 Motherboard pin designation of related assemblies along the IF signal path are detailed on Foldout 6-2. Refer to "A15 Motherboard Assembly" in Chapter 8 for more information about the connection of instrument assemblies to the motherboard.

IF Section Assembly Descriptions

A11 Bandwidth Filter

The A11 Bandwidth Filter assembly contains two synchronously tuned LC filter poles and two synchronously tuned crystal filter poles. Buffer amplifiers provide isolation for each filter pole.

Eight IF bandwidths, from 1 kHz to 3 MHz, can be selected in a 1,3,10 sequence. The desired IF passband, or resolution bandwidth, is produced by either a four-pole LC bandpass filter or a four-pole crystal bandpass filter. The A13 Bandwidth Filter assembly is identical to the A11 assembly and provides two of the four filter poles. The LC bandpass filters provide the 100 kHz to 3 MHz bandwidths, and the crystal bandpass filters provide the 1 kHz to 30 kHz bandwidths.

When a bandwidth is selected, the A7 Analog Interface assembly interprets the A16 Processor/Video assembly commands and produces the corresponding bandwidth control currents. The A7 assembly produces a bias voltage (BW5) to select LC or crystal mode, and a bandwidth control current for either the LC filters (BW7) or the crystal filters (BW6).

Bandwidth errors are corrected by the **CAL AMPTD** self-calibration routine. Refer to Chapter 10 for a description of **CAL AMPTD**.

The resolution bandwidths are normally coupled to the frequency span of the analyzer for an optimum ratio of span to resolution bandwidth. Sweep time is also coupled to both resolution bandwidth and span for optimum amplitude response. The resolution bandwidth, sweep time, and span can be set independently.

A12 Amplitude Control

The A12 Amplitude Control assembly provides gain or attenuation in eight stages: three step-gain amplifiers and five step attenuators. All stages, except the 10 dB step gain, provide full gain or attenuation when turned on and unity gain when turned off. The 10 dB step gain has a gain of 15 dB when on and a gain of 5 dB when off.

When the reference level is changed, the A7 Analog Interface assembly interprets the A16 Processor/Video assembly commands and produces the appropriate combination of gain and attenuation control voltages in 1 dB increments. Reference-level resolution of less than 1 dB is produced by mathematically offsetting the digitized video signal on the A16 Processor/Video assembly.

A12 step-gain errors are corrected by correction factors produced by the **CAL AMPTD** self-calibration routine. Each correction factor is an offset of the digitized video signal and is stored in nonvolatile memory on the A16 assembly.

A12 step-attenuator errors are corrected by correction constants that are characterized values initially installed at the factory. The corrected calibration attenuators provide the amplitude reference used by **CAL AMPTD** self-calibration routine.

A13 Bandwidth Filter

The A13 Bandwidth Filter assembly is identical to the A11 assembly. Refer to the A11 assembly description in this section.

After leaving the A13 assembly, the 21.4 MHz IF signal branches on the A15 Motherboard:

- One branch passes directly to the A14 Log Amplifier assembly.
- A buffer amplifier on the A15 Motherboard attenuates the IF signal by 20 dB and distributes it to the card-cage assemblies (AUX_IF), the rear panel AUX IF OUTPUT connector (AUX_IF_BP), and the A25 Counter Lock assembly (COUNT_IF). The COUNT_IF signal is used by the A25 assembly to count the actual IF frequency when **MKR CNT ON** is selected.
- Another buffer amplifier on the A15 assembly sends the IF signal (AUX_IF) to assemblies installed in the card cage.

A14 Log Amplifier

The A14 Log Amplifier assembly provides the following functions:

- **Log Mode.** The input signal is logarithmically displayed due to the sequential response of seven log amplifier stages.
 - The log amplifier stages have an overall range of 70 dB. This allows a greater range of signal amplitudes to be simultaneously displayed.
 - All seven amplifier stages are at maximum gain for low input signal levels.
 - As the signal level increases, the gain of the each 10 dB amplifier is reduced in sequence, with the last stage dropping to unity gain first.
 - The vertical display axis is calibrated in dBm (relative to a milliwatt) rather than volts.
- **Linear Mode.** The seven log amplifier stages are biased to operate as linear amplifiers. Linear gains from 0 dB to 40 dB can be selected.
- **The Video Detector.** The detector is a half-wave rectifier and filter. The video signal (VIDEO_IF) has a 0 to 2 volt output that is proportional to the signal level.
- **T/C Supply.** A temperature-compensated -8 V reference supply (-8 VT).
 - Maintains amplitude stability of the log stages over temperature.
 - Maintains linear step-gain accuracy by providing a stable voltage source for the linear step-gain control lines that originate on the A7 assembly.

A16 Processor/Video

The A16 assembly coordinates the operation of all instrument assemblies to perform all spectrum analyzer functions. This section briefly describes the major instrument functions provided directly by the A16 Processor/Video assembly.

- Selection of the input signal for the ADC. The input MUX selects one of the following:
 - An analog signal from assemblies installed in the card cage.
 - The detected 21.4 MHz IF signal (VIDEO_IF).
 - A +2 V reference used for ADC calibration of the graticule at top screen.
 - An analog ground (ACOM) reference used for ADC calibration of graticule at bottom screen.
- Final processing of the detected 21.4 MHz IF signal before the video signal is converted by the ADC for further digital processing by the central processing unit (CPU).
 - Video bandwidths from 30 Hz to 3 MHz are available in a 1, 3, 10 sequence.
 - The ADC input MUX selects the positive-peak detector, or bypasses the positive-peak detector, and selects the sample detector. In sample mode, the video signal passes directly to the ADC from the video bandwidth circuitry.
 - The MUX can also select the processed video signal from an assembly in the card cage.
- Mathematical offset of the digitized video signal for greater reference-level resolution and instrument calibration accuracy.
- Digital control of instrument assemblies directly over the IO bus.
- Analog control of instrument assemblies via the A7 Analog Interface assembly.
- Nonvolatile RAM memory-storage of DLP software, instrument calibration data, and error correction data. Refer to Chapter 10 for more information about instrument calibration and error correction.
- Processing and integration of trace and text information for output to the A2 Display assembly. The digitized video signal is merged by the CPU with other trace information. The trace information is then combined with text information for input to the display drive circuitry.
- Generation of the A2 display drive signals. The digital display input is converted back into analog voltages by the A16 display drive-circuitry and sent to the A2 assembly. The display signal is also sent to MONITOR OUTPUT on the rear panel.

A7 Analog Interface

The A7 Analog Interface assembly converts the digital commands from the A16 assembly to analog control signals for the following assemblies shown on Foldout 6-2:

- DAC control of the A11/A13 Bandwidth Filter assemblies. Refer to “A7 Analog Interface Assembly” for more information about bandwidth switching.
 - LC to crystal mode switching. BW5 controls switching between crystal and LC bandwidth filter modes.
 - Bandwidth control. The A7 bandwidth control DACs supply two control lines to drive the PIN diodes on the A11 and A13 assemblies. Companding DACs are used because their nonlinear output compensates for the nonlinear resistance-versus-current of the PIN diodes they control.
 - BW6 control line. Controls the crystal bandwidths from 30 kHz to 1 kHz. More DAC current produces a narrower bandwidth in crystal mode.

- BW7 control line. Controls the LC bandwidths from 5 MHz to 100 kHz. In LC mode, more DAC current produces a wider bandwidth.

Bandwidth error is corrected by the `CAL AMPTD` self-calibration routine. Refer to Chapter 10 for a description of `CAL AMPTD`.

- A12 Amplitude Control assembly. When the reference level is changed, the A7 assembly switches the calibration attenuators and the step gains on the A12 assembly to change the displayed signal position. Refer to “A7 Analog Interface Assembly” in Chapter 9 for more information about switching for the calibration attenuator, the step gains, and the log/linear switch.
 - Calibration attenuators. A TTL high on selected A7 control lines activates a combination of attenuator steps. The 1, 2, 4, and 8 dB step attenuators are combined to provide attenuation in 1 dB increments. Currently, the 16 dB attenuator is not used.
 - 10 dB step gains. Temperature-compensated control voltages activate a combination of the three A12 step-gain stages. Step gains are produced in 10 dB increments over a 50 dB range.

Step gain errors are corrected by the `CAL AMPTD` self-calibration routine. Refer to Chapter 10 for a description of `CAL AMPTD`.

- A14 Log Amplifier assembly. The A7 assembly controls two functions on the A14 assembly:
 - Log/linear mode switching. A temperature-compensated control bias voltage switches the seven A14 amplifier stages to function as either linear amplifiers or logging amplifiers.
 - 10 dB linear step gains. In linear mode, three temperature-compensated control lines bias four of the seven linear amplifiers to provide step gains in 10 dB increments over a 40 dB range. Two amplifiers are switched by one control line to provide the 20 dB step-gain stage.

Linear step gain errors are corrected by the `CAL AMPTD` self-calibration routine. Refer to Chapter 10 for a description of `CAL AMPTD`.

A8 Power Supply

The A8 Power Supply is a switching power supply that plugs into a connector on the A15 Motherboard. It is not repairable to the component level.

When the line switch is on, it produces the low-power-on (LPWRON) signal that activates the power supply. The power supply then provides the following:

- +12 V for the B1 fan.
- The +5 V, +15 V, -15 V, and +12 V supply voltages.
- A line-trigger signal (LINE_TRIG) at the power-line frequency.
- The high-power-on (HPWRUP) signal used to coordinate the start-up of the A16 assembly.

IF Power-Level Measurement

The following measurement procedures are used for troubleshooting along the 21.4 MHz IF signal path from the A9 Third Converter assembly, through the IF section, to output of the A14 Log Amplifier assembly.

To calibrate the reference level of the analyzer, the **CAL AMPTD** self-calibration routine adjusts the gain of the 21.4 MHz IF variable amplifier on the A9 assembly and mathematically offsets the digitized video signal on the A16 Processor/Video assembly. Due to component variations it is unlikely that any two analyzers will have the same 21.4 MHz IF signal level for the same instrument settings. Furthermore, a defective analyzer may produce misleading IF signal levels if the **CAL AMPTD** routine has been run.

An IF test board is used in the following procedures to simplify troubleshooting. The test board is used to isolate the RF section from the IF section and allows the testing of individual IF assemblies. Refer to Table 1-5, Special Service Tools, for the part number of the IF test board.

Instrument Settings for IF Power-Level Measurement

The power levels provided with the measurement procedures in this section are accurate when the following steps are followed.

1. Ensure that the CAL OUT amplitude is within specification. Refer to the Calibrator Amplitude Performance Test in the *HP 8591A/8593A Installation, Verification, and Operation Manual*.
2. Connect the CAL OUT signal to the RF input using the CAL cable.
3. Set the analyzer to the following settings:

| | | |
|------------------|-------|--|
| PRESET | | Wait for the analyzer to complete the instrument preset routine. |
| FREQUENCY | | 300 MHz |
| SPAN | | 0 Hz |

Typical Gains for the IF Assemblies

The overall gain of individual assemblies in the IF section are listed below. The gain level provided for the A12 assembly is correct only when the analyzer settings provided in step three, above.

- The A11 Bandwidth Filter assembly produces 10 dB of gain.
- The A12 Amplitude Control assembly produces -5 dB of gain.
- The A13 Bandwidth Filter assembly produces 10 dB of gain.
- A +10 dBm signal at the input of the A14 Log Amplifier assembly produces a 2 V signal (VIDEO_IF) that is equivalent to a top-screen display.

Refer to "IF Section Information" in Chapter 8 for the changes in gain output when the instrument settings are changed from the settings used in this section.

Measurement of the IF Signal from the A9 Third Converter

Measure the 21.4 MHz IF output from the A9 assembly with the following procedure. Refer to Foldout 6-2, IF/Control Overall Block Diagram, while performing this procedure.

1. Remove the A11 Bandwidth Filter assembly.
2. Insert the IF test board in the A11 assembly slot.
3. Measure the 21.4 MHz IF output at J1 on the IF test board using an active probe, with a spectrum analyzer attached. (Use of a 50 Ω spectrum analyzer will cause erroneous power-level measurements.)
4. The test limit for the 21.4 MHz IF signal is $-25 \text{ dBm} \pm 2 \text{ dB}$. The test board receives the signal at measurement point A on the block diagram.

Note



The variable IF amplifier at the output of the A9 assembly has a gain range of -15 to $+2 \text{ dB}$. This level is dependent on the output from the reference level DAC, located on the A7 Analog Interface assembly, that is adjusted during the **CAL AMPTD** self-calibration routine.

Signal Injection at the Output of the A11 Bandwidth Filter Assembly

Inject a 21.4 MHz signal at the output of the A11 Bandwidth Filter assembly with the following procedure. Refer to Foldout 6-2 while performing this procedure.

1. Remove the A11 Bandwidth Filter assembly.
2. Insert the IF test board in the A11 assembly slot.
3. Connect a synthesizer/level-generator to the J2 input connector on the IF test board. The test board injects the signal at A15J8 pin 22.
4. Set the signal source for 21.4 MHz at $+5 \text{ dBm}$. This signal level provides $+10 \text{ dBm}$ at the input to the A14 Log Amplifier assembly and simulates a top-screen signal.
5. Check for the following nominal signal outputs.
 - -10 dBm at the AUX IF OUTPUT connector on the rear panel. Use an active probe to make the measurement. Refer to measurement point C on Foldout 6-2. If a 50 Ω analyzer is used, an additional 6 dB drop in signal level occurs. (The AUX IF OUTPUT has a 50 Ω output impedance.)
 - One volt at the AUX VIDEO OUTPUT connector on the rear panel (measurement point B). A voltage divider on the A15 Motherboard reduces the uncorrected 2 V video signal (AUX_VIDEO) to a 1 V output.
 - A signal at the top graticule line and a marker reading of approximately 0 dBm.

Note



Use **CORRECT ON OFF** to observe the magnitude of video offsets that the A16 assembly is currently using to correct the signal position at top-screen. Refer to Chapter 10 for more information about **CORRECT ON OFF**.

Signal Injection at the Output of the A13 Bandwidth Filter Assembly

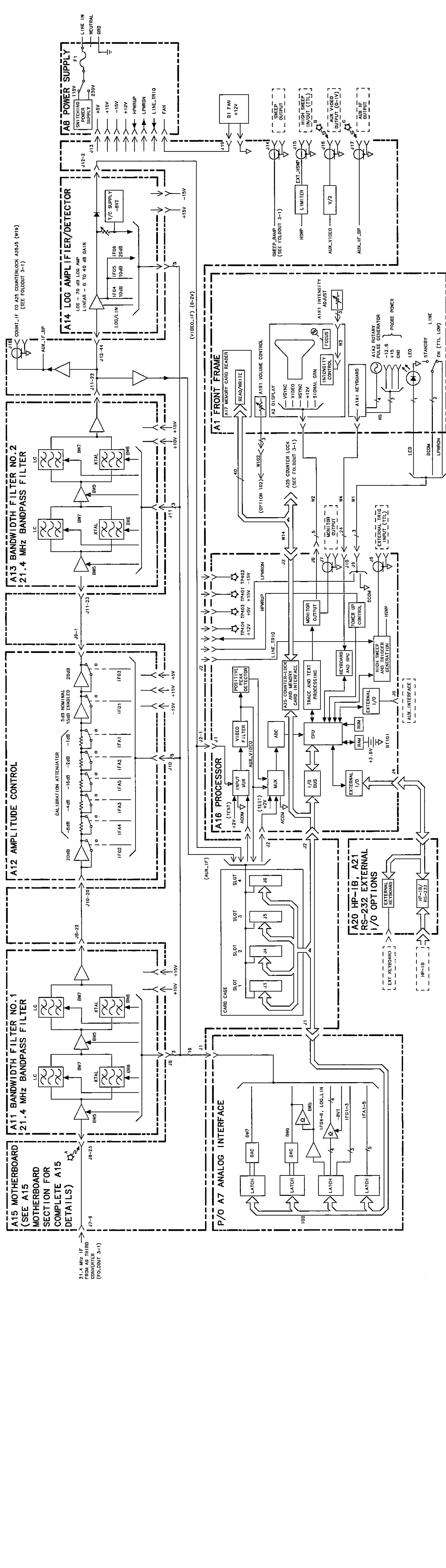
Inject a 21.4 MHz signal at the output of the A13 Bandwidth Filter assembly with the following procedure. Refer to Foldout 6-2 while performing this procedure.

1. Remove the A13 Bandwidth Filter assembly.
2. Insert the IF test board in the A13 assembly slot.
3. Connect a synthesizer/level-generator to the J2 input connector on the IF test board. The test board injects the signal at A15J11 pin 22.
4. Set the signal source for 21.4 MHz at +13 dBm. This signal level provides +10 dBm at the input to the A14 Log Amplifier assembly and simulates a signal at top-screen. The output impedance of the IF test board interacts with circuitry on the A15 assembly to cause a 3 dB signal loss.
5. Check for the following nominal signal outputs.
 - -10 dBm at the AUX IF OUTPUT connector on the rear panel. Use an active probe to make the measurement. Refer to measurement point C on Foldout 6-2. If a 50 Ω analyzer is used, an additional 6 dB drop in signal level occurs. (The AUX IF OUTPUT has a 50 Ω output impedance.)
 - One Volt at the AUX VIDEO OUTPUT connector on the rear panel (Measurement Point B). A voltage divider on the A15 Motherboard reduces the uncorrected 2 V video signal (AUX_VIDEO) to a 1 V output.
 - A signal at the top graticule line and a marker reading of approximately 0 dBm.

Note



Use **CORRECT ON OFF** to observe the magnitude of video offsets that the A16 assembly is currently using to correct the signal position at top-screen. Refer to Chapter 10 for more information about **CORRECT ON OFF**.



FOLDOUT 6-2. HP 8591A IF/CONTROL, OVERALL BLOCK DIAGRAM
General Troubleshooting 6-25

Tracking Generator Information

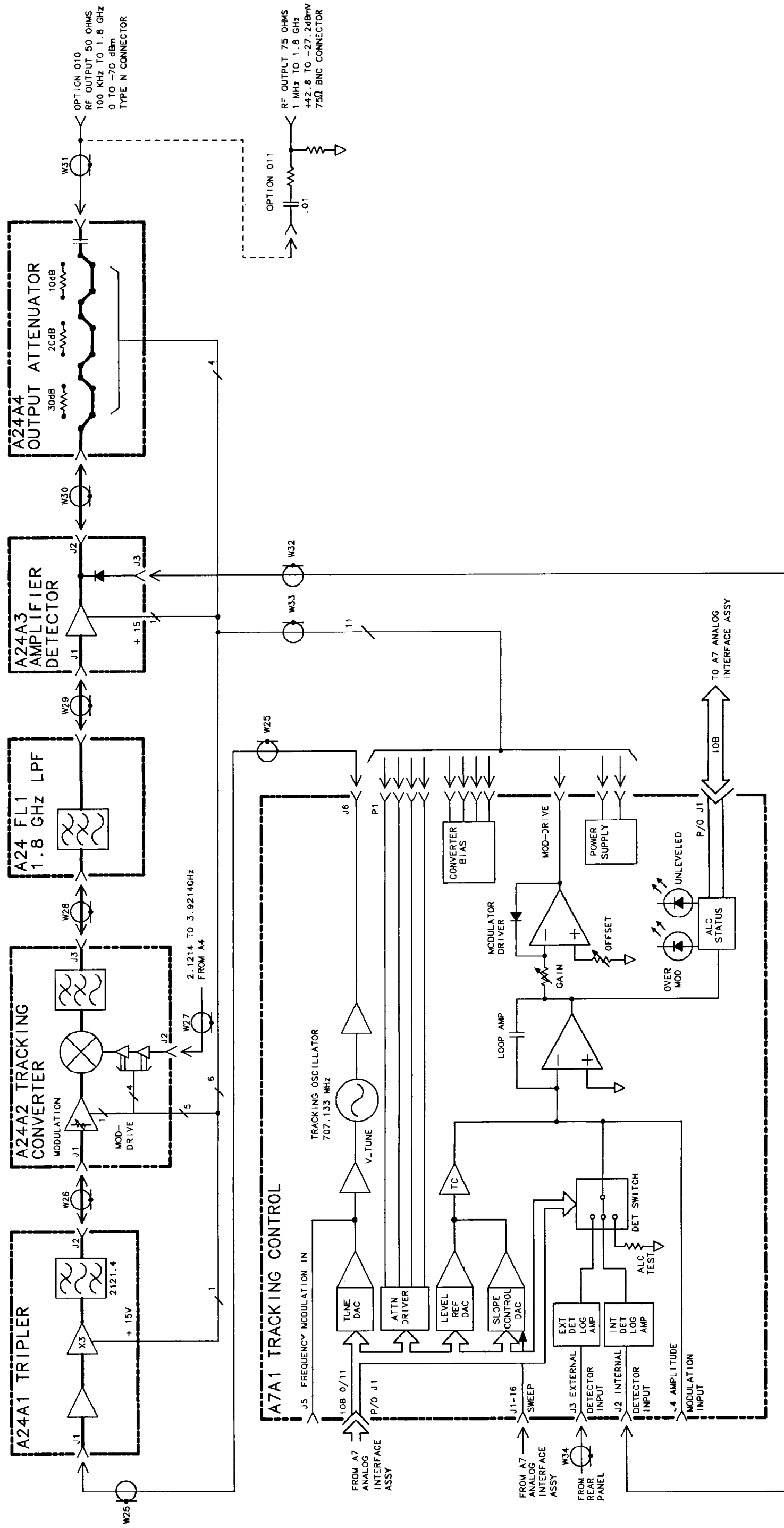
Refer to Foldout 6-3, Tracking Generator Block Diagram, for an overview of operation for the tracking generator and its connection to the standard analyzer.

The signals present on the W33 wire harness at A7A1J7 are detailed in Table 6-4 and on Foldout 6-3.

Table 6-4. Tracking Generator Control Signals at A7A1J7

| A7A1J7 Connector Pin | W33 Wire Color | Mnemonic | Signal Description |
|----------------------------|-------------------|---------------|--|
| 1 | Brown | MOD_DRIVE | Modulator drive voltage |
| 2 | | No Connection | |
| 3 | Orange | G1 | Gate 1 bias voltage (5.4 V) |
| 4 | Yellow | D1 | Drain 1 bias voltage (-0.5 to -2.0 V) |
| 5 | Green | G2 | Gate 2 bias voltage (5.4 V) |
| 6 | Blue | D2 | Drain 2 bias voltage (-0.5 to -2.0 V) |
| 7 | Violet | ATN_30 | Control for 30 dB attenuator step |
| 8 | Gray | +15_X3 | Switched +15 VF |
| 9 | White | ATN_20 | Control for 20 dB attenuator step |
| 10 | Black | +15VF | +15 VF for Amplifier/Detector |
| 11 | White/Brown | ATN_10 | Control for 10 dB attenuator step |
| 12 | White/Red | +15 VF | +15 VF for Attenuator |

TRACKING GENERATOR



Problems at Instrument Power-Up

Caution



Immediately unplug the analyzer from the ac power line if the unit shows any of the following symptoms:

- Smoke, arcing, or unusual noise from inside the unit.
- No response of any kind when unit is plugged into ac power mains and turned on.
- The analyzer's ac power fuse blows.
- A circuit breaker or fuse on the main ac power line opens.

These potentially serious faults must be corrected before proceeding. Refer to "Troubleshooting an Inoperative Analyzer."

Symptoms at Power-Up

Note



Instruments equipped with the AM/FM Speaker and TV Sync Trigger, Option 102, normally emit noise from the speaker at power-up. Adjust the volume control as desired.

Symptoms that can occur when the instrument is first powered up are described here, along with the location of related troubleshooting information. Refer to Table 6-5 for an overview of symptoms at power-up and their possible cause.

- The analyzer is completely dead and there is no obvious cause of the failure. Refer to "Troubleshooting an Inoperative Analyzer."
- The A2 Display is blank, yet the instrument fan is running and the green LED above the LINE switch is on. Refer to "Blank A2 Display."
- A firmware-controlled instrument routine fails. Refer to Chapter 10 and Chapter 11 for troubleshooting information about the following failures:
 - Initial Power-Up routine.
 - Instrument Preset routine.
 - A self-calibration routine.
 - A confidence test.
- The A2 Display is distorted. Refer to "A2 Display Troubleshooting."
- Refer to "Symptoms of a Dead Battery" if the A2 Display has either of the following symptoms:
 - A random display periodically flashes on-screen.
 - An empty rectangle first appears, followed by the message SYMTAB EMPTY. Approximately 8 seconds later the instrument performs an instrument preset and the error message FAIL: 0330 0000000000 is displayed.
- There is no displayed signal or the signal level is abnormal. Refer to "Locating an RF/LO/IF or Video Problem."

Table 6-5. Instrument Failure Symptoms at Power-On

| Line LED | A8 LED -15 V | A8 LED +15 V | A8 LED +5.2 V | A8 LED +12 V | A16 LEDs DS1-DS16 | B1 Fan | A2 Display | Possible Cause |
|----------|--------------|--------------|---------------|--------------|-------------------|--------|------------|---|
| ON | ON | ON | ON | ON | M | ON | ON | Normal Operation * |
| OFF | ON | ON | ON | ON | M | ON | ON | W1 wiring to Line LED, or Line LED |
| OFF | OFF | OFF | OFF | OFF | OFF | OFF | OFF | Line fuse, A8 primary circuit failure |
| ON | M | M | M | M | X | M | X | A8 primary overload |
| ON | OFF | ON | ON | ON | X | ON | X | -15 V supply failure |
| ON | OFF | M | M | M | X | M | X | -15 V supply overload |
| ON | ON | OFF | ON | ON | X | ON | X | +15 V supply failure |
| ON | M | OFF | M | M | X | M | X | +15 V supply overload |
| ON | M | M | OFF | M | X | M | X | +5.2 V supply failure or supply overload |
| ON | ON | ON | ON | OFF | X | OFF | OFF | +12 V supply failure |
| ON | M | M | M | OFF | X | OFF | OFF | +12 V supply overload |
| ON | ON | ON | ON | ON | M | OFF | ON | Fan failure or open along +12 V supply line to fan |
| ON | ON | ON | ON | ON | OFF | ON | OFF | No HPWRUP signal |
| ON | ON | ON | ON | ON | ON | ON | X | A16 assembly failure |
| ON | ON | ON | ON | ON | M | ON | OFF | Display failure, intensity-control failure, or A16 memory failure |
| ON | ON | ON | ON | ON | M | ON | M | Intensity control failure, or A16 memory failure |

M = LED or assembly is momentarily on, then goes off.

X = Status of LED or assembly does not matter.

* DS13 remains on after **PRESET**.

Troubleshooting an Inoperative Analyzer

When an analyzer appears to be dead there is often little evidence that points directly to the cause. This section covers typical failure modes for the A2 Display, the A8 Power Supply, the A16 Processor/Video assembly, and related assemblies.

Additional troubleshooting details for specific assemblies are available in the following areas of this manual:

- Foldout 6-2, IF/Control Overall Block Diagram.
- “A15 Motherboard Assembly” in Chapter 8.
- Individual assembly descriptions.
- The adjustment procedures in Chapter 2.
- The component-level information packets (CLIPs) located in the *HP 8590B/91A/92B/93A Component-Level Information* binder.

“A15 Motherboard Assembly” in Chapter 8 provides detailed information about the instrument power-up signals and the power-supply distribution network. Refer to this section when tracing signals or supply voltages throughout the instrument.

Check Instrument Setup

Before troubleshooting the instrument, ensure that it has been set up correctly.

- Check that the voltage-selector switch on the rear of the A8 Power Supply is correct for the ac power line in use.
- Check that the ac line-power voltage is present and that the instrument line cord is in good condition.
- Check the line fuse. If it has blown, perhaps a nonstandard fuse with too low a current rating was installed.

Caution



If the fuse must be replaced, make sure that the replacement fuse is specified for the line voltage in use. Failure to use the proper fuse specified for the HP 8591A can cause substantial instrument damage, and is a serious fire hazard.

Instrument Failure Symptoms

If the instrument was set up correctly and still does not function, look for troubleshooting information related to the observed failure symptoms, in the following sections:

- “The Line Fuse Has Blown.” A line fuse of the correct rating has blown.
- “The Fan Is Not Operating.” The fan is not running, yet the rest of the instrument is operating normally.
- “The A8 Power Supply LEDs Are Off.” One or more of the LEDs on the A8 Power Supply is not on.
- “A16 Processor/Video Assembly Failure Symptoms.” Failure symptoms indicate that the A16 assembly is the likely source of the problem.

- “Blank A2 Display.” The display is blank but there are no failure symptoms from the rest of the instrument.

The Line Fuse Has Blown

If the instrument was set up correctly, and the line fuse still blows, check the operation of the power supply after removing it from the instrument. The A8 assembly is a switching power-supply and does not operate normally without a load on the dc power-supply outputs. Without an output load, the dc output voltages will not be within specification.

Caution

After removing the A8 Power Supply from the instrument, do not operate the power supply without a load on the dc supplies for more than 1 minute.

After removing the power supply from the instrument, use the following procedure to check that the power supply will power up.

1. Remove the A8 Power Supply from the instrument. Refer to the A8 Power Supply removal procedure in Chapter 3.
2. Replace the line fuse.
3. Connect line-power cord to the power supply.
4. Simulate the low-power-on (LPWRON) signal by shorting pin 19 on A8J1 to the A8 chassis ground. The power supply is functioning if all the A8 LEDs come on. It is normal for the LEDs on some power supplies to come on momentarily and then stay off.
5. If the A8 LEDs do not come on, disconnect the line power, and check the line fuse.
 - If the line fuse has blown again, the power supply is defective. The A8 assembly is not field-repairable; refer to Chapter 4 for ordering instructions.
 - If the fuse does not blow, suspect a short somewhere in the dc supply distribution network. Refer to “A15 Motherboard Assembly” in Chapter 8 for the A15 connector-pin designation of each assembly supplied by the power supply. Note the components on the A15 Motherboard that are attached to the dc power supplies.
6. After detecting a short, or low resistance, within one of the dc supply networks, remove each related assembly, one at a time, until the defective assembly is found.
 - If a short is detected on a trace from the A15 Motherboard to the A16 Processor/Video assembly, remove the A15 Motherboard from the instrument and check it separately.

The Fan Is Not Operating

Caution

The A8 Power Supply will be extremely hot if the instrument has been operating without the fan running. Allow the instrument to cool down before troubleshooting.

The B1 Fan receives +12 V dc from the A8 Power Supply after the power supply receives the start-up signal, low-power-on (LPWRON). First check the +12 V dc supply to the fan at the Rear Frame.

1. Disconnect the line-power cord from the analyzer.
2. Look through the fan grill. If the cables routed near the fan are jammed in the fan, remove the fan from the rear frame, reroute the cables, and remount the fan.
3. Remove the fan from the rear frame and disconnect its wiring connector from A15J19.
4. Reconnect line power to the analyzer and turn it on.
5. Refer to “A15 Motherboard Assembly” for the pin identification of the fan-supply connector, A15J19, and the A8 Power-Supply connector, A8J1.
6. Check that pin 2 on A15J19 is connected to digital common-ground (DCOM). If the ground connection is open, suspect the A15 Motherboard.
7. Check pin 1 on A15J19 for +12 V dc.
8. If the +12 V dc is absent, do the following:
 - Disconnect the analyzer from the line power.
 - Remove the A8 Power Supply.
 - Check the continuity of the A15 Motherboard from pin 1 on A15J19 to pin 8 on A15J13.
 - If the continuity of the motherboard is correct, suspect a bad connection on the D Sub connector (between pin 8 on A15J13 and pin 8 on A8J1) or a defective power supply.

The power supply is an original equipment manufacturer (OEM) assembly purchased by Hewlett-Packard from an outside vendor. It is not field-repairable, and must be replaced as an assembly. Refer to Chapter 4 for ordering instructions.

A8 Power Supply LEDs Are Off

Caution



After removing the A8 Power Supply from the instrument, *do not* operate the power supply without a load on the dc supplies for more than 1 minute.

If All the A8 LEDs are Off

If all the power-supply LEDs remain off, the low-power-on (LPWRON) control line must be checked from the front-panel line switch, through the A16 Processor/Video assembly and A15 Motherboard, to the A8 Power Supply.

1. Disconnect the analyzer line-power cord, remove the instrument cover, and turn the instrument so its bottom side faces up.
2. Check that the line switch provides the correct LPWRON signal at pin 2 on A16J9.
 - LPWRON becomes TTL low when the line switch is on. The closed switch connects A16J9 pin 2 to the digital common-ground (DCOM) through the W1 wiring harness.
 - LPWRON is pulled TTL high by the power supply when the line switch is in STANDBY.
3. Remove the A8 Power Supply. Refer to the A8 Power Supply removal procedure in Chapter 3.

Note

The A8 assembly is a switching power supply and does not operate normally without a load on the dc power supply outputs. Without an output load, the dc output voltages will not be within specification.

4. Plug the line-power cord into the supply.
5. Simulate the LPWRON signal by shorting A8J1 pin 19 to the power-supply case using a jumper wire. If the power-supply LEDs do not come on, the power supply is defective. It is normal for the LEDs on some power supplies to come on momentarily and then stay off.
6. Check the continuity of the LPWRON signal trace from pin 2 on A16J9 to pin 19 on A15J13. Refer to Figure 6-2 for the numbering of the A15J13 connector-pins.

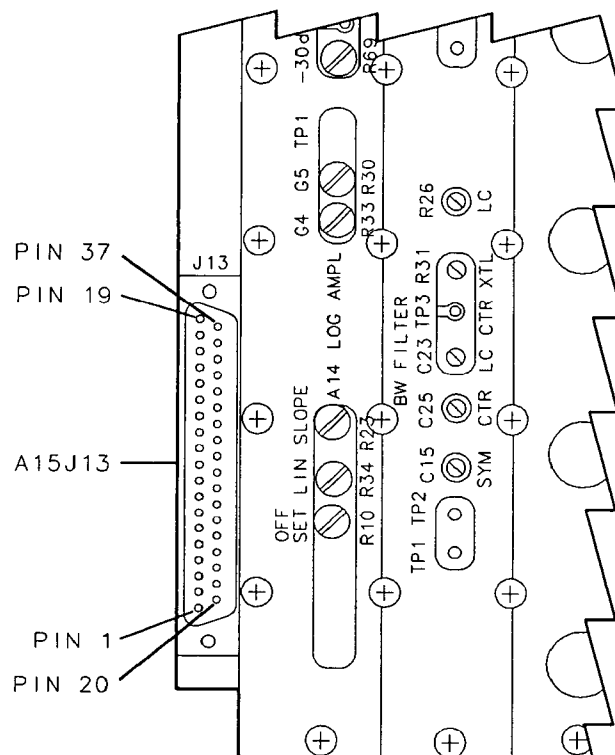


Figure 6-2. A15J13 Connector-Pin Designation

7. Refer to “A15 Motherboard Assembly” in Chapter 8 for the connector-pin designations of the A16 and A15 assemblies.
8. If the LPWRON signal path from the previous step is correct, suspect a bad connection on the D sub-connector (between pin 19 on A15J13 and pin 19 on A8J1).

The power supply is (OEM) assembly purchased by Hewlett-Packard from an outside vendor. It is not field-repairable, and must be replaced as an assembly. Refer to Chapter 4 for ordering instructions.

If Individual A8 LEDs are Off

If one or more of the A8 Power Supply LEDs remain off, determine whether the power supply is defective or circuitry on the dc power-supply distribution network is loading the supply down.

1. Remove the power supply from the instrument. Refer to the A8 Power Supply removal procedure in Chapter 3.
2. Plug the line-power cord into the supply.
3. Simulate the LPWRON signal by shorting pin 19 on A8J1 to the power-supply case using a jumper wire. If the power supply LEDs do not come on, the power supply is defective. It is normal for the LEDs on some power supplies to come on momentarily and then stay off.
4. Replace the power supply in the instrument.
5. Refer to “A15 Motherboard Assembly” in Chapter 8 to identify all the assemblies that are connected to the inoperative dc power supply.
6. Remove each related assembly, one at a time, until the defective assembly is found.
7. Refer to “A15 Motherboard Assembly” for the A15 connector-pin designation of each assembly connected to the supply.
 - If the problem remains after removing all related assemblies, suspect the A15 Motherboard assembly. It contains components that are attached to the dc power supplies. Refer to Figure 8-3 in the “A15 Motherboard Assembly.”
 - If a short is detected on a trace from the A15 Motherboard to the A16 Processor/Video assembly, remove the A15 Motherboard from the instrument and check it separately.

A16 Processor/Video Assembly Failure Symptoms

If all the A8 Power-Supply LEDs are on, check the dc power-supply voltages on the A16 Processor/Video assembly. Check each voltage at the A16 assembly test points, TP401 through TP404. Refer to Foldout 6-2, for the dc-voltage assignment of each test point.

If a dc voltage is missing, suspect an open connection in the dc power-supply distribution network. Refer to “A15 Motherboard Assembly” for the connector-pin designation of each assembly connected to the missing dc voltage supply.

If all the dc voltages are correct at the A16 assembly, refer to “A16 Memory Reset” in Chapter 9.

Blank A2 Display

Use this section when the A8 Power Supply is functioning but there is no display on the A2 Display assembly. Check the following conditions before proceeding with the A2 Display troubleshooting procedures.

1. Plug the instrument into an ac power-line outlet and depress the **LINE** switch. Check that the B1 Fan is running and the green LED above the **LINE** switch is on. If they are not operating, refer to the appropriate section of “Troubleshooting an Inoperative Analyzer.”

Note

If an external monitor is available, attach it to the MONITOR OUTPUT on the rear frame. Adjust the horizontal hold on the external monitor. If a normal instrument display is present, the display failure is limited to the A2 Display and its related circuitry. Refer to the *HP 8591A/8593A Installation, Verification, and Operation Manual* for a list of the available external monitors.

2. Disconnect the ac line power and remove the instrument cover. Refer to the instrument cover removal procedure in Chapter 3.

Note

The A8 Power Supply draws current whenever ac line power is applied, even when the LINE switch is in the STANDBY position. However, no voltages are distributed outside the A8 assembly when the LINE switch is in the STANDBY position, except for a TTL high on LPWRON.

3. Plug the analyzer into the ac line power and set the LINE switch to ON.
4. Check the four LEDs on the A8 Power Supply assembly. If they are not on, refer to the beginning of “Troubleshooting an Inoperative Analyzer.”
5. Check the dc power supplies on the A16 Processor/Video assembly. If an adjustment is required, refer to the power-supply adjustment procedure in Chapter 2. If there is a failure, refer to the beginning of “Troubleshooting an Inoperative Analyzer.”

A2 Display Troubleshooting

This section covers troubleshooting of the A2 Display and its related circuitry. Refer to the display overview provided in the A1 Front-Frame block on Foldout 6-2.

If the Display has an Intensity Problem

Caution

The A1R1 potentiometer leads are easily broken. Do not twist the W3 wire harness where it attaches to A1R1.

1. Disconnect W3 from the A1R1 intensity control potentiometer on the front frame.
2. Check the continuity and resistance range (0 to 100 k Ω) of the inner potentiometer on A1R1.
3. Reconnect W3 to A1R1.

Check the A16 Display-Drive Circuitry

Perform the following steps to check output of the drive circuitry from the A16 Processor/Video assembly to the A2 Display.

1. Position the analyzer with the bottom side facing up.

Caution

Do not short any two of the A16J8 pins together. Damage to the analyzer may result.

2. Disconnect the W2 wire harness.

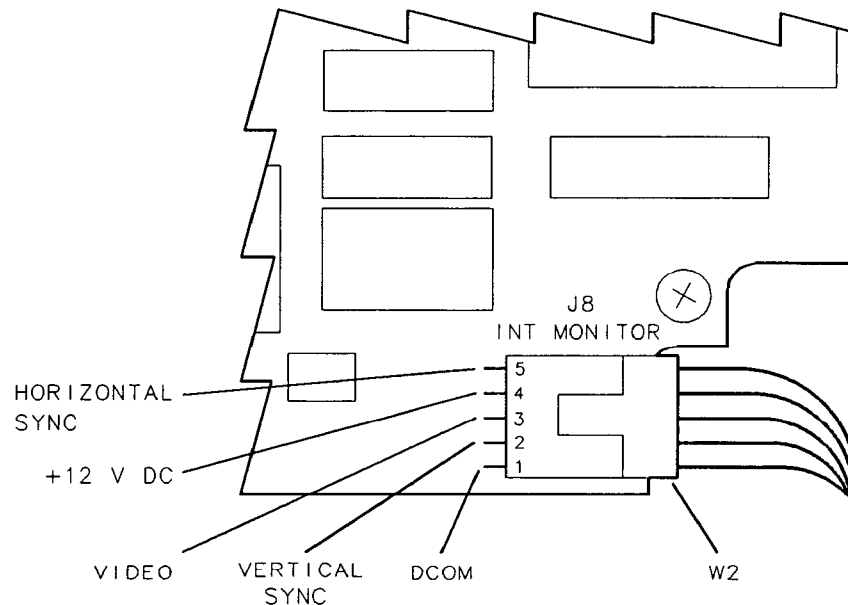


Figure 6-3. A16J8 Display Signal Output Pins

3. Refer to Figure 6-3 for the location of the test points and measure the following signals, using an oscilloscope:
 - A16J8 pin 1: signal ground. Check for ground connection to DCOM.
 - A16J8 pin 2: vertical sync signal. Check for a 60 Hz TTL signal with a pulse width of approximately 0.5 milliseconds and a repetition rate of approximately 16.6 milliseconds.
 - A16J8 pin 3: video signal. Check for an approximately 3 V pk-pk video signal.
 - A16J8 pin 4: +12 V dc power supply.
 - A16J8 pin 5: horizontal sync signal. Check for a 19.2 KHz TTL signal with a pulse width of approximately 8 microseconds and a repetition rate of approximately 52 microseconds.

Check High-Power-Up Signal from the A8 Power Supply

The A8 Power Supply assembly sends the high-power-up (HPWRUP) signal to the A16 assembly after it receives the low-power-on (LPWRON) signal and the +5 V supply has stabilized. If HPWRUP is low, the display remains blank and the A16 failure LEDs (DS1 through DS16) will not come on during power-up.

If the video, horizontal, and vertical signals are missing, but the +12 V supply voltage is present, check the HPWRUP signal.

1. Check for the +5 V TTL HPWRUP signal at pin 54 on the A16J1. The A16J1 connector is on the trace side of the A16 assembly. Refer to Figure 6-4 for the numbering order of A16J1 connector-pins accessible from the component side of the A16 assembly.

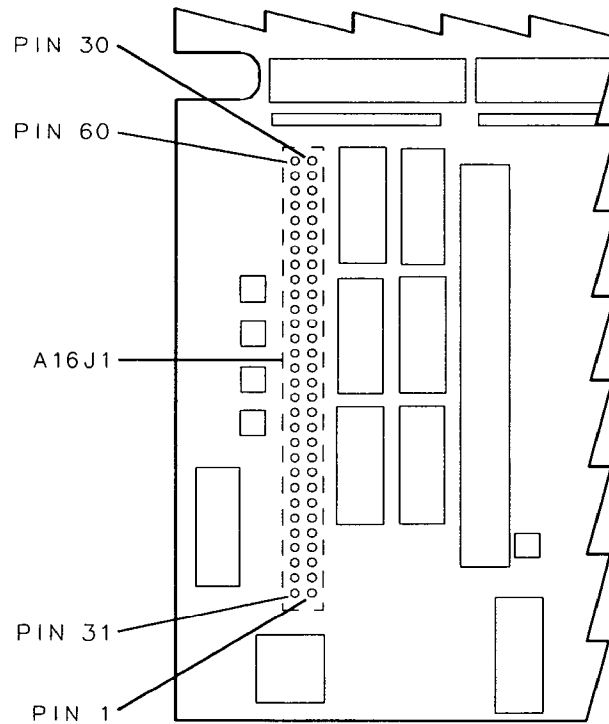


Figure 6-4. A16J1 Connector-Pin Orientation

2. If the HPWRUP signal is missing, trace the signal back through the A15 Motherboard to the A8 Power Supply assembly, pin 37 on A8J1. Refer to “A15 Motherboard Assembly” for the connector-pin designation of the HPWRUP signal path.

Note



The HPWRUP signal can be measured on pin 55 of each card-cage slot on the A15 Motherboard. Refer to Figure 6-5 for the numbering order of the connector pins on A15J3 through A15J6.

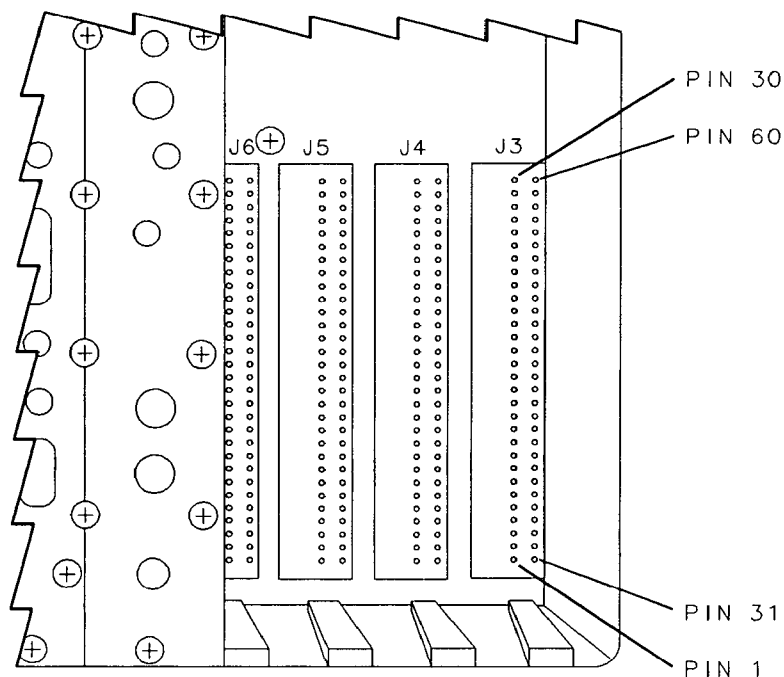


Figure 6-5. Card-Cage Connector-Pin Orientation

3. If the HPWRUP signal is present, yet one or more of the A16 outputs is incorrect, suspect a defective A16 Processor/Video assembly. Before replacing the A16 assembly refer to “A16 Memory Reset” in Chapter 9.
4. If all the A16 display outputs are correct, suspect a defective A2 Display.

Check for a Defective A2 Display

Warning



High voltage is present within the A2 Display and remains for some time after it has been disconnected. Be careful while troubleshooting the display outside of its enclosure.

If an A2 Display assembly failure is suspected, the display must be removed from its enclosure for further troubleshooting. Refer to the A2 Display assembly removal procedure in Chapter 3 before checking the continuity of the W2 and W3 wire harnesses. If both W2 and W3 are good, suspect the A2 Display.

The A2 Display is not field-repairable, and must be replaced as an assembly. Refer to Chapter 4 for ordering instructions.

After replacement, adjust the new display with the procedures from the Display Adjustments section in Chapter 2.

Symptoms of a Dead Battery

A dead BT101 battery will cause the loss of all correction-factor and correction-constant data. When the data stored in memory is lost, the analyzer normally substitutes the default-correction data stored in ROM and performs the instrument-preset routine.

If a Random Display Periodically Flashes on Screen

The analyzer did not load the default-correction data and cannot perform an instrument preset. The CPU is cycling slowly but is not able to recover.

Note



Allow approximately 2 seconds between each key press so that the CPU has time to respond.

Although the softkeys are not visible, load the default-calibration data by performing the following steps:

1. Press **FREQUENCY**.
2. Enter the -37 Hz passcode.
3. Press **CAL**.
4. Press the lowest softkey—**MORE 1 OF 3**.
5. Press the lowest softkey again—**MORE 2 OF 3**.
6. Press the third softkey from the top—**DEFAULT CAL DATA**.

After the default-calibration data is accepted, the analyzer should recover by performing an instrument preset.

- If the analyzer does not recover, repeat the steps above.
- If a normal display appears, continue at “Verify that the Correction Data is Missing.”

If the Error Message FAIL: 0330 0000000000 Appears

The analyzer has successfully recovered by substituting the default-calibration data for the missing correction data and performing an instrument preset.

The following display sequence is normal when the analyzer recovers from a loss of RAM memory.

1. An empty rectangle appears.
2. The message SYMTAB EMPTY appears in the rectangle.
3. After approximately 8 seconds, the analyzer performs an instrument preset.
4. The error message FAIL: 0330 0000000000 is displayed.

Note



Either this display sequence, or the random, flashing display, will appear whenever the power-up sequence is repeated.

Verify that the Correction Data is Missing

Although the analyzer now appears to operate normally, it is no longer calibrated.

1. Confirm that the self-calibration correction-factor data has been replaced by the default-correction data:
 - a. Look at the default-data provided with the **DEFAULT CAL DATA** softkey description in Chapter 10.
 - b. Use **DISPLAY CAL DATA** to retrieve the current correction-data.
 - c. Compare the current correction-factor data to the default correction-data. If they match, the current correction-factor data has been lost.
2. Confirm that the correction-constant data is invalid:
 - a. Look at the current correction-data retrieved by **DISPLAY CAL DATA**.
 - b. If the first five entries in the ERR column contain zeros, the amplitude correction-constants for the A12 step-attenuators have been lost.
 - c. Use **EDIT FLATNESS** to review the flatness-correction constants. If the error message **INVALID FLATNESS DATA** appears, the flatness-correction constants have been lost.
3. If the battery is dead, replace it using the BT101 Battery replacement procedures in Chapter 3. Leave the instrument cover off to allow access to the area surrounding the battery.

After Replacing the Battery

After replacing the dead battery, verify that it is operating correctly using the following procedure.

1. Connect the analyzer to ac power.
2. Turn the analyzer on and allow it to run for at least 1 hour. It takes approximately 1 hour for the new battery to charge C106, the holding capacitor, to a level where the charging current stabilizes. A charge current of no more than 24 μ A ensures the 5-year life of the battery.
3. Disconnect the analyzer from ac power.
4. Position the analyzer with the A16 assembly facing up.
5. Locate R103, a 1 k Ω resistor, to the right of the battery, near the rear edge of the A16 assembly. The resistor is in series with the battery.
6. Measure the voltage across the 1 k Ω resistor. When the battery supply circuit is operating normally, no more than 24 mV is present across the resistor. If the voltage is greater than 24 mV, replace the A16 assembly or troubleshoot the circuit with component-level information from the A16 assembly CLIP.

Quickly confirm that the instrument can store data correctly in memory:

1. Connect the analyzer to ac power.
2. Enter the -2001 Hz passcode prior to pressing **CAL**.
3. Use **SET ATTN ERROR** to store five temporary A12 step-attenuator values.

4. Cycle the instrument power.
5. Recall the correction data with `DISPLAY CAL DATA`.
6. If the first five entries in the ERR column contain the values entered with `SET ATTN ERROR`, the memory-loss problem has been corrected.

Instrument Recalibration after a Battery-Backed RAM Memory Loss

To fully recalibrate the analyzer, perform the steps in “Analyzer Recovery after a A16 Memory Loss” in Chapter 9.

Locating an RF/LO/IF or Video Problem

This section provides techniques for isolating amplitude failures along the signal path from the analyzer input to the A16 Processor/Video assembly. For frequency failures refer to “LO Section” in Chapter 7. These troubleshooting methods isolate the failure to one of four functional sections in the analyzer:

- The RF section. This section includes the assemblies from the analyzer input to the output of the A9 Third Converter assembly.
- The LO section. This section involves the assemblies that provide a local oscillator output to the RF section. The A25 Counter Lock assembly is one of the assemblies involved.
- The IF section. This section includes the assemblies from the output of the A9 Third Converter to the output of the A14 Log Amplifier assembly.
- The video section. This includes the circuitry from the output of the A14 Log Amplifier assembly to the ADC section on the A16 Processor/Video. This section of the analyzer processes the detected 21.4 MHz IF signal from the IF section.

Once the problem has been isolated to one of the four sections, use standard troubleshooting methods to locate the source of the failure.

Techniques for Isolating an RF/LO/IF or Video Failure

Generally, the following troubleshooting techniques, in the order provided, are effective for isolating amplitude failures. The use of these procedures for specific failure symptoms is demonstrated in “RF/LO/IF and Video Failure Symptoms”, below.

1. With the failure symptoms present, switch the analyzer from positive-peak detector to sample-detector mode.
 - If the analyzer returns to normal operation, the positive-peak detector is defective.
 - If the failure symptoms remain, continue at the next step.
2. Use the service diagnostic functions, **2V REF DETECTOR** and **GND REF DETECTOR** to verify that the main ADC on the A16 assembly is operating correctly. Refer to Chapter 10 for information about the use of service-related softkeys. Refer to Foldout 6-2, IF/Control Overall Block Diagram, for an overview of the A16 assembly.
 - If either top-screen (2 V) or bottom-screen (0 V) are not correct, suspect the ADC circuitry on the A16 assembly.
 - If the top-screen and bottom-screen signal positions are correct, the A16 signal-processing circuitry from the MUX, located just before the ADC, through the A16 assembly is operating normally.
3. Use **DISPLAY CAL DATA** to find the DAC value used to adjust the gain at the output of the A9 Third Converter assembly. The DAC value is in the REF LVL CAL DAC block in the second column. Refer to Chapter 10 for information about **DISPLAY CAL DATA**.

The DAC value is unique for each analyzer. The **CAL AMPTD** self-calibration routine adjusts this value based on the amplitude of the digitized video signal on the A16 assembly. The calibration routine makes this adjustment while calibrating the reference level at top-screen.

After running the **CAL AMPTD** routine, the REF LVL CAL DAC has a typical value of 130 with a range from 100 to 180. The higher the DAC value, the greater the output from the A9 assembly.

If **DEFAULT CAL DATA** is used, a default DAC value of 200 replaces the current value.

If the DAC value is 0 or 255, there is a significant gain problem in the RF/LO sections or the IF section. Either DAC value indicates that the **CAL AMPTD** routine was not able to calibrate the analyzer. Continue at the next step.

4. Refer to Foldout 6-2 and read “IF Power-Level Measurement.”
5. Set up the instrument as shown in “Instrument Settings for IF Power-Level Measurement.”
6. Measure the output of the A9 assembly using the procedure in “Measurement of the IF Signal from the A9 Third Converter.”
 - If the REF LVL CAL DAC value is 255 and the A9 output is above the test limit, suspect a low gain problem in the IF section. Continue with the troubleshooting procedures in “Instrument Settings for IF Power-Level Measurement.”
 - If the REF LVL CAL DAC value is 255 and the A9 output is below the test limit, suspect a low gain problem in the RF/LO sections.
 1. Set up the instrument as shown in “Instrument Settings for RF Power-Level Measurement.” Refer to Foldout 6-1.
 2. Isolate the failure to an RF or LO assembly by taking RF and LO power-level measurements using the values in Table 6-3.
 - If the REF LVL CAL DAC value is 0 and the A9 output is above the test limit, suspect a high gain problem in the RF section.
 1. Set up the instrument as shown in “Instrument Settings for RF Power-Level Measurement.” Refer to Foldout 6-1.
 2. Isolate the failure to an RF or LO assembly by taking RF and LO power-level measurements using the values in Table 6-3.
 - If the REF LVL CAL DAC value is 0 and the A9 output is nominal, suspect a high gain problem in the IF section. Continue with the troubleshooting procedures in “Instrument Settings for IF Power-Level Measurement.”

RF/LO/IF and Video Failure Symptoms

The following failure symptoms are examples of problems where the failure-isolation methods presented in the previous section are effective. Each symptom is accompanied by additional troubleshooting hints used with the methods described earlier in “Locating an RF/LO/IF or Video Failure.”

Failure Symptom: No signal or noise floor is present, only a horizontal trace at bottom screen.

- Check for a peak-detector failure by switching between the positive-peak detector and sample detector modes.
- Check for an ADC failure on the A16 assembly using the **2v REF DETECTOR** and **GND REF DETECTOR** functions.

- Check the signal path from the analyzer input to the output of the A14 Log Amplifier assembly. Refer to steps 4 through 6 in “Locating an RF/LO/IF or Video Failure.”
- Check the output of the 1st, 2nd, and 3rd LO. Refer to “Instrument Settings for RF Power-Level Measurement” and Foldout 6-1.

Failure Symptom: The analyzer displays a low signal level that causes a self-calibration routine to stop. There is no noticeable frequency error.

- Check the amplitude of the CAL OUT signal and ensure that the CAL OUT signal is properly connected to the analyzer input. (The self-calibration routines perform an initial set-up check. If the signal level is below -40 dBm, the routine stops.)
- Use **DEFAULT CAL DATA** to set the REF LVL CAL DAC to a default value of 200.
- Check the signal path from the analyzer input to the output of the A14 Log Amplifier assembly. Refer to steps 4 through 6 in “Locating an RF/LO/IF or Video Failure.”

Failure Symptom: A low signal level causes the **CAL AMPTD** self-calibration routine to fail after the initial set-up check is passed.

- Check the current correction factor for the REF LVL CAL DAC using **DISPLAY CAL DATA**.

Later firmware revisions stop the calibration routine if the REF LVL CAL DAC reaches either 0 or 255. The routine does not store the correction factors from an incomplete calibration; however, the corrections from the incomplete calibration are temporarily retained and can be viewed using **DISPLAY CAL DATA**. Refer to Chapter 11 for the description of the displayed error message.

Note



Firmware revisions 11.7.89 and 18.7.89 do not stop the **CAL AMPTD** routine if the REF LVL CAL DAC value is set to 0 or 255.

- Check the signal path from the analyzer input to the output of the A14 Log Amplifier assembly. Refer to steps 4 through 6 in “Locating an RF/LO/IF or Video Failure.”

Failure Symptom: The **CAL AMPTD** self-calibration routine passes but the analyzer has a high noise floor. The analyzer may also fail the displayed average noise specification.

This problem is caused by low gain somewhere along the RF or IF signal path.

The calibration routine compensates for the low gain by increasing the gain of the A9 Third Converter assembly using the REF LVL CAL DAC. The excessive gain may cause the high noise floor by amplifying the noise level from the RF section or over-driving a stage in the IF section.

- Check the DAC value using **DISPLAY CAL DATA**. This type of problem causes the DAC value to be close to the 255 maximum.
- Check the signal path from the analyzer input to the output of the A14 Log Amplifier assembly. Refer to steps 4 through 6 in “Locating an RF/LO/IF or Video Failure.”
- Refer to “IF Section Information” in Chapter 8 for information about the gain settings of each IF assembly.

Failure Symptom: The displayed signal is too high and the **CAL AMPTD** self-calibration routine did not fail.

This problem is caused by high gain somewhere along the RF or IF signal path. The displayed CAL OUT signal appears to have an amplitude greater than -20 dBm. The excessive gain causes a calibration error that makes the CAL OUT signal appear higher than normal.

- Check for a REF LVL CAL DAC value of 0 using **DISPLAY CAL DATA**. The values in the ERR column are 0.00 or have a negative value.
- Check the signal path from the analyzer input to the output of the A14 Log Amplifier assembly. Refer to steps 4 through 6 in “Locating an RF/LO/IF or Video Failure.”
- Refer to “IF Section Information” in Chapter 8 for information about the gain settings of each IF assembly.

Failure Symptom: The displayed signal is distorted with distinct lobes on each side. A high noise floor may also be present.

Note



An intermittent hardware failure during the **CAL AMPTD** self-calibration routine can cause this type of amplitude failure. The erroneous calibration data causes the failure symptoms even while the hardware is operating normally.

-
- If the signal looks normal when **CORRECT ON OFF** is off, check the values in the RFATN and SGAIN columns using **DISPLAY CAL DATA**.

If a correction factor in either column is greater than two, there may be a failure on the A3A5 Input Attenuator or the A12 Amplitude Control assembly.

Refer to Chapter 10 for the description of the corrections that are disabled when **CORRECT ON OFF** is off.

- Troubleshoot the input attenuator or step gain symptoms with **CORRECT ON OFF** turned off.
- Check the signal path from the analyzer input to the output of the A14 Log Amplifier assembly. Refer to steps 4 through 6 in “Locating an RF/LO/IF or Video Failure.”
- Refer to “IF Section Information” in Chapter 8 for information about IF gain versus reference level for each IF assembly.

Note



Recalibrate the analyzer after the adjustment or replacement of each suspect assembly. A functioning analyzer may still appear to be defective if calibration data from before the repair is used.

RF/LO Section Troubleshooting

Introduction

This chapter provides detailed troubleshooting information for the RF and LO sections of the analyzer. Troubleshooting information is also provided for A9 Third Converter and A25 Counter Lock assemblies.

Refer to Chapter 6 for an overview of analyzer operation and troubleshooting procedures that are useful when first starting to troubleshoot an analyzer failure.

Before You Start Troubleshooting

There are three things you must do *before* you begin troubleshooting an instrument failure:

1. Familiarize yourself with the safety symbols marked on the analyzer, the general safety instructions, and the symbol definitions given in the front of this manual.
2. Read the section entitled “Protection from Electrostatic Discharge” in Chapter 1. The spectrum analyzer contains static-sensitive components.
3. Become familiar with the organization of the troubleshooting information in Chapter 6 and the information in this chapter.

Warning



The analyzer contains potentially hazardous voltages. Refer to the safety symbols on the analyzer and the general safety instructions in this manual before operating the unit with the cover removed. Failure to heed the safety precautions can result in severe or fatal injury.

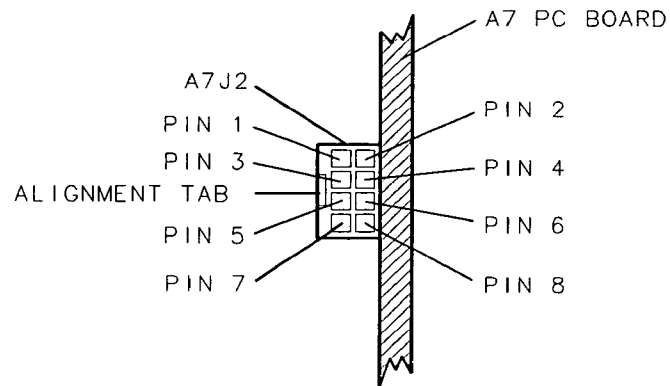
RF Section Information

The RF Section includes the following assemblies:

- A3 Input Attenuator
- A4 First Mixer
- A5 Second Converter
- A6 YTO (YIG-tuned oscillator)
- A9 Third Converter

For details about the operation of the RF section, refer to “RF/LO Section Overview” and “Instrument Settings for RF Power Level Measurement” in Chapter 6.

The RF section receives control voltages for the A3 Attenuator, and power-supply voltages for the A3 Attenuator and A5 Second Converter assemblies, from the A7 Analog Interface assembly. The W13 wire harness connects the attenuator and second converter to the A7J2 connector on the A7 assembly. Figure 7-1 identifies the signals that are supplied to the two RF assemblies and matches each signal with its corresponding connector pin number on A7J2.



| A7J2 Pin Number | W13 Wire Color | Signal Description |
|-----------------------|-------------------|---|
| 1 | Brown | +8 VF power supply for A5 Second Converter |
| 2 | Black | Analog ground for A5 Second Converter |
| 3 | Orange | +15 VF power supply for A3 Attenuator |
| 4 | N/C | |
| 5 | Green | Control line for 20 dB step on A3 Input Attenuator |
| 6 | Blue | Control line for 10 dB step on A3 Input Attenuator |
| 7 | N/C | |
| 8 | Grey | Control line for 30 dB step on A3 Input Attenuator |

Figure 7-1. A7J2 Connector Pin Designation (Top-Side View)

The A7 assembly also includes circuitry for controlling the LO and IF sections. Refer to “LO Section Information” in this chapter and “A7 Analog Interface Assembly” in Chapter 9 for more information.

Refer to “A9 Third Converter Assembly” in this chapter for more information about the operation of the A9 assembly.

Control of the A3 Input Attenuator

The A7 Analog Interface assembly controls the three attenuator steps in the A3 Input Attenuator. Each attenuator step requires one control line, as shown in Table 7-1. The W13 wire harness connects the attenuator to A7J2 on the A7 assembly. W13 also supplies the +15 V power supply for the attenuator. Locate W13 using the top view of the analyzer in Chapter 6.

Use a digital multimeter (DMM) and the values from Table 7-1 to check the control voltages for each attenuator step. Refer to Figure 7-1 for the location of the connector pins on A7J2. Measure the voltages at the A7J2 pins on the trace side of the A7 assembly.

Table 7-1. Input Attenuator Control Output at A7J2

| Attenuator Setting (dB) | 10 dB Step (A7J2 Pin 6) | 20 dB Step (A7J2 Pin 5) | 30 dB Step (A7J2 Pin 8) |
|-------------------------|-------------------------|-------------------------|-------------------------|
| 0 | L | L | L |
| 10 | H | L | L |
| 20 | L | H | L |
| 30 | H | H | L |
| 40 | H | L | H |
| 50 | L | H | H |
| 60 | H | H | H |

H = +15 V (A high output indicates that the attenuator step is in the signal path.)
 L = +0.8 V

These control voltages are valid only if the A3 Input Attenuator is connected to A7J2.

LO Section Information

Note



The function-block letter designators shown in the block diagram correspond to the designators on the assembly schematic in the CLIP. The block diagram also indicates which function blocks are on each schematic sheet.

The LO Section includes the following assemblies:

- A6 YTO (YIG-Tuned Oscillator)
- A7 Analog Interface
- A9 Third Converter
- A22 Precision Frequency Reference (Option 004 only)
- A25 Counter Lock

Refer to Foldout 7-1, LO Section Block Diagram, at the end of this section for details about the operation of the LO section.

The LO section provides a 2.1214 to 3.9214 GHz 1st LO, a 600 MHz 2nd LO, a 300 MHz 3rd LO, a 300 MHz CAL OUT signal, and an IF frequency counter. The counter and the local oscillators use one of two 10 MHz frequency references:

- 10 MHz (standard) timebase. The timebase contains a room temperature crystal oscillator (RTXO) that is located on the A25 assembly.
- Option 004, Precision Frequency Reference. The frequency reference is an oven controlled crystal oscillator (OCXO).

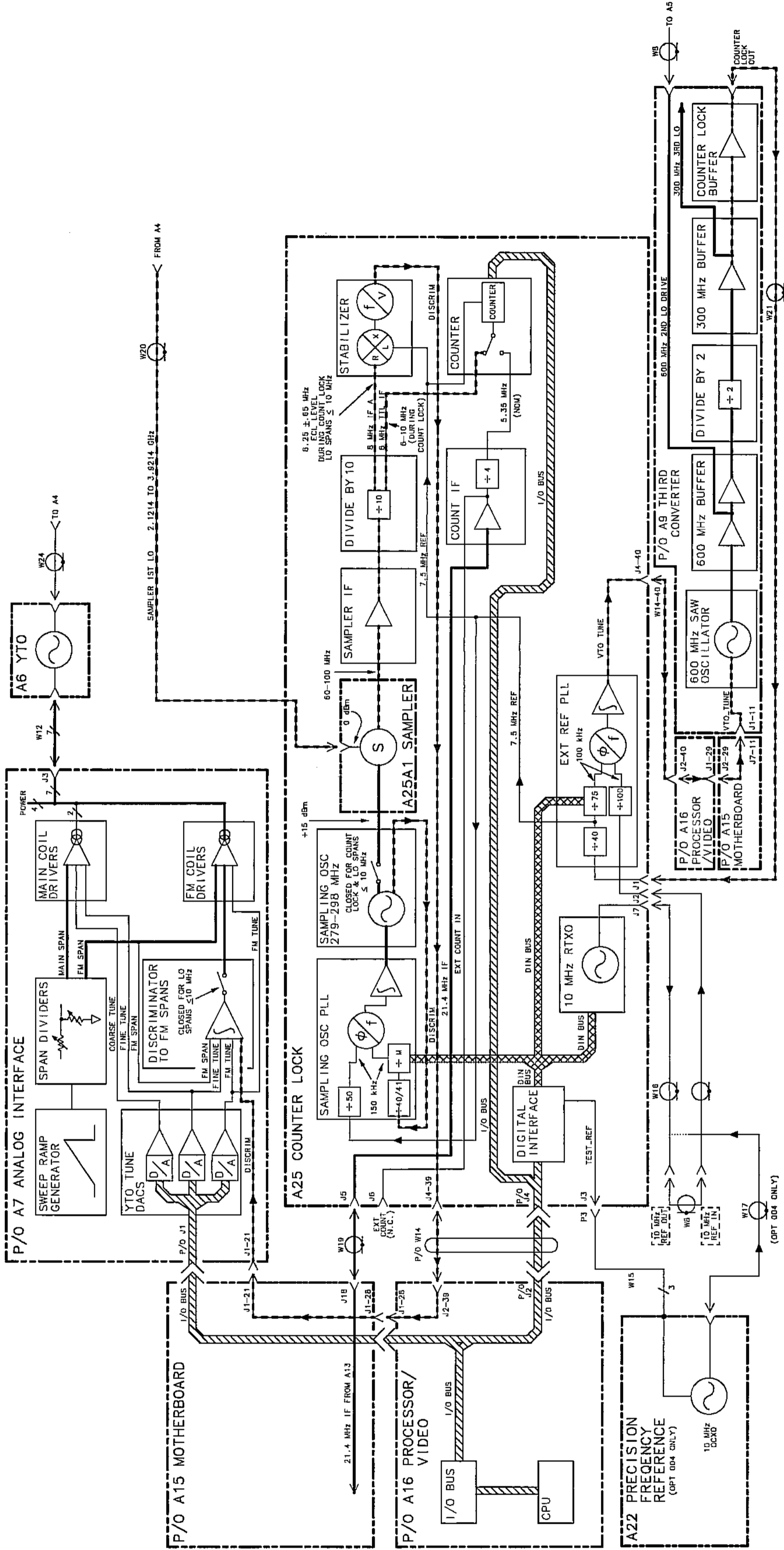
The 10 MHz reference phase-locks the 600 MHz oscillator on the A9 Third Converter. The 600 MHz signal drives the second converter and is divided to produce the 300 MHz 3rd LO and CAL OUT signals. A 300 MHz signal that is sent to the A25 assembly is divided further to produce a 7.5 MHz reference signal. This 7.5 MHz reference is used by the stabilizer, the sampling oscillator, and the frequency counter. The phase-frequency detector is located on the A25 assembly.

The 1st LO output of the A6 YTO is fed through a power splitter on the A4 First Converter assembly. The main output of the splitter is sent to the A4 mixer. The other output is fed to the A25A1 Sampler. The sampler mixes the 1st LO with a harmonic of the sampling oscillator to generate a 60 to 100 MHz sampler IF. This value is then divided by 10, producing a 6 to 10 MHz output.

During retrace, the YTO is locked to the selected 1st LO frequency. The divided sampler IF is then counted in the frequency counter. The YTO tune DACs on the A7 assembly are adjusted until the counted frequency is equal to the desired frequency. In LO spans less than or equal to 10 MHz, the divided sampler IF is also fed to a stabilizer, which generates the discriminator (DISCRIM) signal. DISCRIM tunes the YTO precisely to the desired 1st LO frequency.

When a trigger signal occurs, a sweep ramp is applied to the main coil drivers while in LO spans greater than 10 MHz, or to the FM coil drivers while in LO spans less than or equal to 10 MHz. During a main coil sweep, the sampling oscillator is disconnected from the A25A1 Sampler.

In frequency count mode, the 1st LO sweeps up to the marked signal and pauses. The divided sampler IF is counted to calculate the actual 1st LO frequency. Then the prescaled 21.4 MHz IF, nominally 5.35 MHz, is counted and the actual input frequency calculated.



A9 Third Converter Assembly

Note The function-block letter designators shown in the block diagram correspond to the designators on the assembly schematic in the CLIP.



The A9 Third Converter performs the following functions:

- Down-converts the 321.4 MHz IF to the final 21.4 MHz IF.
- Generates the 300 MHz 3rd LO.
- Provides variable gain from the calibrator amplifier that adjusts the amplitude of the 21.4 MHz IF during the analyzer **CAL AMPTD** self-calibration routine.
- Generates the 600 MHz 2nd LO drive signal for the A5 Second Converter assembly.
- Generates the 300 MHz CAL OUT signal at -20 dBm.
- Provides a buffered 300 MHz to drive the external reference PLL circuitry on the A25 Counter Lock assembly.

Refer to Foldout 7-2, A9 Third Converter Assembly Block Diagram, at the end of this section for details about the operation of the A9 assembly.

Refer to “A15 Motherboard Assembly” in Chapter 8 when tracing control signals for the A9 assembly.

The output of the 600 MHz surface acoustical wave (SAW) oscillator is buffered, providing the 2nd LO signal to the A5 Second Converter. This signal is further buffered, divided by two, and buffered again to produce three 300 MHz outputs.

The amplitude of the 300 MHz signal from the Calibrator Amplifier is adjusted to provide the -20 dBm output for the 300 MHz CAL OUT signal. This amplifier produces rich harmonics that are used in the analyzer self-calibration routines.

The 300 MHz signal sent to the 300 MHz Buffer produces the other two 300 MHz outputs:

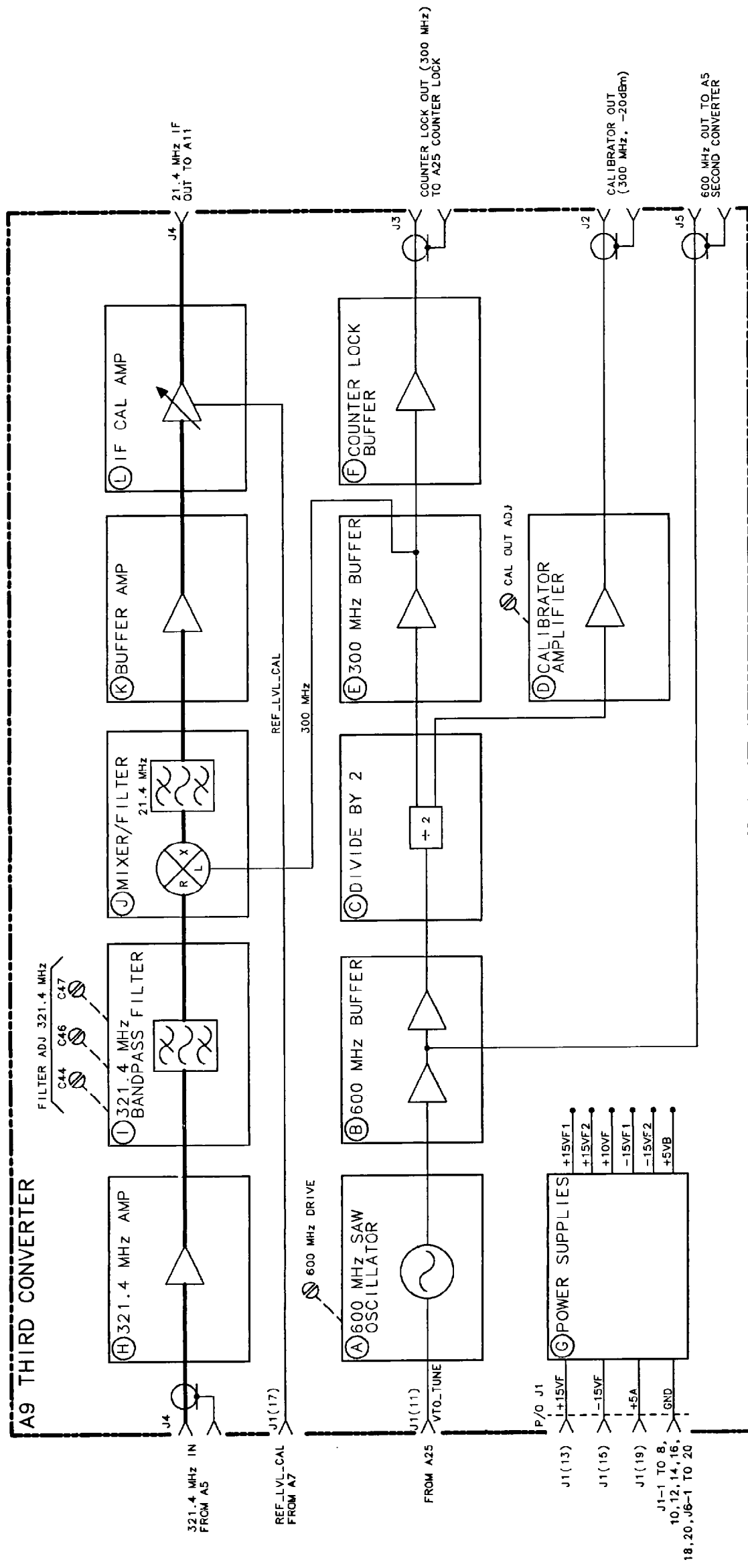
- The 300 MHz 3rd LO sent to the Mixer/Filter.
- The 300 MHz feedback signal sent to the A25 Counter Lock assembly by the counter lock buffer. This signal is divided down and compared to the 10 MHz reference in a phase/frequency detector on the A25 assembly. The output of the phase/frequency detector, VTO_TUNE, is fed back to the 600 MHz SAW Oscillator to increase its frequency stability.

The 321.4 MHz 2nd IF signal from the A3A4 Second Converter is amplified and bandpass-filtered on the A9 assembly. This signal is mixed with the 300 MHz 3rd LO to produce the 21.4 MHz difference signal that is then bandpass-filtered and buffered.

The buffered 21.4 MHz IF signal is amplified in the IF Calibration Amplifier (IF Cal Amp). The gain of the calibration amplifier is controlled by a DAC on the A7 Analog Interface assembly via the REF_LVL_CAL control line. During the **CAL AMPTD** routine, the gain of the calibration amplifier is adjusted so that the reference level at top-screen is calibrated. The amplitude reference for the routine is provided by the -20 dBm CAL OUT signal with 10 dB of input attenuation.

Refer to “IF Power-Level Measurement” in Chapter 6 for more information about the 21.4 MHz output from the A9 assembly.

A9 THIRD CONVERTER ASSEMBLY



A25 Counter Lock Assembly

Note



The function-block letter designators shown in the block diagram correspond to the designators on the assembly schematic in the CLIP.

The A25 Counter Lock assembly performs four main functions:

- Phase-locks the 600 MHz SAW oscillator on the A9 Third Converter to the 10 MHz reference.
- Counts the 1st LO frequency.
- Provides discriminator output, DISCRIM, to the A7 Analog Interface assembly.
- Counts the 21.4 MHz IF.

Refer to Foldout 7-3, A25 Counter Lock Assembly Block Diagram, at the end of this section for details about the operation of the A25 assembly.

On the A9 Third Converter, the output of the 600 MHz oscillator is divided by two and the resulting 300 MHz signal is routed to the A25 assembly. The A25 assembly divides the 300 MHz signal by 40 to generate a 7.5 MHz reference for the sampling oscillator, stabilizer, and frequency counter. The 7.5 MHz reference and the 10 MHz reference are divided further and compared in a phase-frequency detector. The output of the phase-frequency detector, VTO_TUNE, is fed back to A9 to tune the 600 MHz oscillator.

The sampling oscillator provides a 279 to 298 MHz driving signal to the A25A1 Sampler. The 1st LO signal is also applied to A25A1. The 1st LO signal is mixed with a harmonic of the sampling oscillator signal to generate the sampler IF. This IF is divided by 10 and fed to one input of the frequency counter. The equation used to produce the 1st LO frequency is:

$$\text{1st LO Frequency} = N \times F_{SO} + \text{Sampler IF}$$

N represents the harmonic of the sampling oscillator.

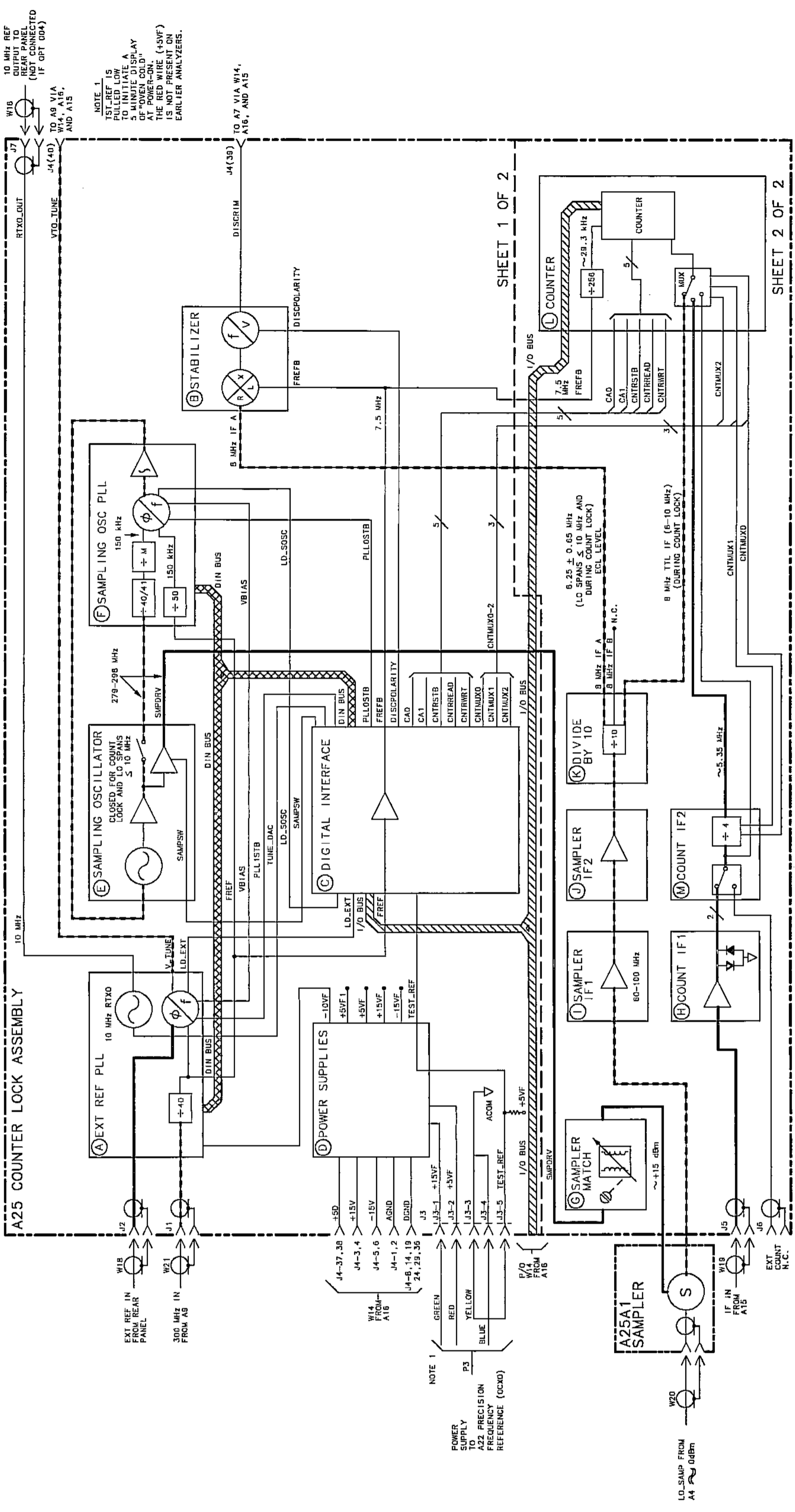
F_{SO} represents the sampling oscillator frequency.

Sampler IF represents the counted sampler IF (may be negative).

The stabilizer mixes the divided sampler IF (nominally 8.25 MHz) with the 7.5 MHz, and feeds the difference signal into the discriminator. The discriminator output, DISCRIM, is fed back to the A7 Analog Interface assembly to tune the A6 YTO precisely to the center frequency.

When the frequency count marker is active, the analyzer pauses at the marked frequency and counts the 1st LO as described previously. The 21.4 MHz IF is then divided by four, to a nominal value of 5.35 MHz, fed to another frequency counter input, and counted. With the 2nd LO, the 3rd LO, the counted 1st LO, and the counted final IF all referenced to the 10 MHz reference, the actual input signal frequency is calculated.

A25 COUNTER LOCK ASSEMBLY



NOTE 1
 TEST_REF IS
 PULLED LOW
 5 MINUTE DISPLAY
 OF "POWER ON"
 AT POWER-ON.
 THE RED WIRE (+5V)
 IS NOT PRESENT ON
 EARLIER ANALYZERS.

SHEET 1 OF 2

SHEET 2 OF 2

IF Section Troubleshooting

Introduction

This chapter provides detailed troubleshooting information for the IF section of the analyzer. Troubleshooting information for tracing signals on A15 Motherboard assembly is also provided.

Refer to Chapter 6 for an overview of analyzer operation and troubleshooting procedures that are useful when first starting to troubleshoot an analyzer failure.

Before You Start Troubleshooting

There are three things you must do *before* you begin troubleshooting an instrument failure:

1. Familiarize yourself with the safety symbols marked on the analyzer, the general safety instructions, and the symbol definitions given in the front of this manual.
2. Read the section entitled “Protection from Electrostatic Discharge” in Chapter 1. The spectrum analyzer contains static-sensitive components.
3. Become familiar with the organization of the troubleshooting information in Chapter 6 and the information in this chapter.

Warning



The analyzer contains potentially hazardous voltages. Refer to the safety symbols on the analyzer and the general safety instructions in this manual before operating the unit with the cover removed. Failure to heed the safety precautions can result in severe or fatal injury.

IF Section Information

This section provides the control details for the assemblies in the IF section. The control-line outputs are valid when the instrument settings provided with each table are used.

For many IF functions, the A7 Analog Interface assembly converts the digital control signals from the A16 Processor/Video assembly to analog control signals. Some analyzer functions are performed directly by the A16 assembly. The A16 assembly also makes amplitude error corrections to improve instrument performance. The analyzer-setting changes and error-correction functions performed on the A16 assembly are a combined mathematical offset of the digitized video signal.

For more information about the A15 Motherboard assembly and the tracing of specific signals in the IF section, refer to "A15 Motherboard Assembly" in this chapter.

Bandwidth Control Lines for the A11/A13 Bandwidth Filter Assemblies

Table 8-1 provides nominal bandwidth control voltages sent to the A11 and A13 Bandwidth Filter assemblies from the A7 Analog Interface assembly. A calibrated analyzer produces control voltages similar to the values in Table 8-1. (The values in Table 8-1 were measured while default calibration data was in use.)

- Use the difference in control voltage between bandwidths from the table as a guide for normal bandwidth operation.
- Use an extender board to measure the bandwidth control voltages at the motherboard connector for the A7 assembly or the A11/A13 filter assemblies.
- Refer to "A15 Motherboard Assembly" for the location of the control lines for each assembly.

Table 8-1. Nominal Resolution Bandwidth Control Line Voltages

| Resolution Bandwidth | BW5 | BW6 | BW7 |
|----------------------|-------|------|------|
| 3 dB | | | |
| 5 MHz | +14.0 | +4.5 | +4.4 |
| 3 MHz | +14.0 | +4.5 | +6.4 |
| 1 MHz | +14.0 | +4.5 | +8.5 |
| .3 MHz | +14.0 | +4.5 | +9.4 |
| .1 MHz | +14.0 | +4.5 | +9.7 |
| 30 kHz | -1.0 | +9.7 | +9.7 |
| 10 kHz | -1.0 | +9.5 | +9.7 |
| 3 kHz | -1.0 | +8.9 | +9.7 |
| 1 kHz | -1.0 | +7.3 | +9.7 |
| .3 kHz | -1.0 | +4.5 | +9.7 |
| 6 dB EMI | | | |
| 9 kHz | -1.0 | +9.3 | +9.7 |
| 120 kHz | +14.0 | +4.5 | +9.6 |

IF Section Gain Control

Table 8-2 lists the changes in IF Section gain that alter the displayed signal position when the reference level is changed in increments as small as 1 dB. The control voltages from the A7 Analog Interface assembly that change the gain of specific IF assemblies are provided in Table 8-3, Table 8-4, and Table 8-5.

When the reference level is changed, the A16 assembly performs two step-gain functions that change the position of the displayed signal. Refer to Table 8-2 for the reference levels where the A16 assembly changes the signal position in increments of 10 dB. When a reference-level change of less than 1 dB is required, the A16 assembly makes a corresponding change in the signal position. These changes in signal position are made by mathematically offsetting the digitized video signal on the A16 assembly.

The A16 assembly also makes amplitude error corrections to improve instrument performance. The reference-level changes and error-correction functions are a combined mathematical offset of the digitized video signal. This makes it difficult to distinguish which offset is contributing to a change in displayed signal level when the reference level is changed. Disable the error corrections by setting **CORRECTION ON/OFF** to Off.

Refer to "A15 Motherboard Assembly" in this chapter when tracing control lines in the IF section.

The entries in Table 8-2 are valid after pressing **PRESET**. Be sure that the input attenuator setting remains at 10 dB.

Table 8-2. IF Section Gain Table in dB

| Reference Level (dBm) * | A12 Calibration Attenuator (Log/Linear Mode) | A12 Step Gain † (Log/Linear Mode) | A14 Gain (Linear Mode) | A16 Video Offset (Log Mode) ‡ | A16 Video Offset (Linear Mode) ‡ |
|-------------------------|--|-----------------------------------|------------------------|-------------------------------|----------------------------------|
| 0 | 10 | 0 | 0 | 0 | 0 |
| -1 | 9 | 0 | 0 | 0 | 0 |
| -2 | 8 | 0 | 0 | 0 | 0 |
| -3 | 7 | 0 | 0 | 0 | 0 |
| -4 | 6 | 0 | 0 | 0 | 0 |
| -5 | 5 | 0 | 0 | 0 | 0 |
| -6 | 4 | 0 | 0 | 0 | 0 |
| -7 | 3 | 0 | 0 | 0 | 0 |
| -8 | 2 | 0 | 0 | 0 | 0 |
| -9 | 1 | 0 | 0 | 0 | 0 |
| -10 | 10 | 10 | 0 | 0 | 0 |
| -20 | 10 | 20 | 0 | 0 | 0 |
| -30 | 10 | 30 | 0 | 0 | 0 |
| -40 | 10 | 40 | 0 | 0 | 0 |
| -50 | 10 | 50 | 0 | 0 | 0 |
| -60 | 10 | 50 | 10 | 10 | 0 |
| -70 | 10 | 50 | 20 | 20 | 0 |
| -80 | 10 | 50 | 30 | 30 | 0 |
| -90 | 10 | 50 | 40 | 40 | 0 |
| -100 | 10 | 50 | 40 | 50 | 10 |
| -110 | 10 | 50 | 40 | 60 | 20 |
| -120 | 10 | 50 | 40 | 70 | 30 |
| -130 | 10 | 50 | 40 | 80 | 40 |
| -131 | 9 | 50 | 40 | 80 | 40 |
| -132 | 8 | 50 | 40 | 80 | 40 |
| -133 | 7 | 50 | 40 | 80 | 40 |
| -134 | 6 | 50 | 40 | 80 | 40 |
| -135 | 5 | 50 | 40 | 80 | 40 |
| -136 | 4 | 50 | 40 | 80 | 40 |
| -137 | 3 | 50 | 40 | 80 | 40 |
| -138 | 2 | 50 | 40 | 80 | 40 |
| -139 | 1 | 50 | 40 | 80 | 40 |

* For instruments with Option 001, 75Ω Input Impedance, change the display units to dBm.

† The gain of the 10 dB step-gain stage is 15 dB when enabled and 5 dB when disabled.

‡ Turn **CORRECT ON OFF** off to remove the amplitude error corrections generated by **CAL AMPTD**.

Control Lines for the A12 Amplitude Control Assembly

Table 8-3 and Table 8-4 provide the control line output from the A7 Analog Interface assembly that change the gain of the A12 assembly when the reference level is changed. The Calibration Attenuator settings in Table 8-3 provide reference-level changes in 1 dB increments for the full reference-level range of the analyzer.

Refer to "A15 Motherboard Assembly" in this chapter when tracing control lines in the IF section. The entries in Table 8-3 and Table 8-4 are valid after pressing **PRESET**. Be sure that the input attenuator setting remains at 10 dB.

Table 8-3. 10 dB Step-Gain Control Lines

| Reference Level (dBm) | 10 dB Step Gains | IFG1 (10 dB Step) | IFG2 (20-1 dB Step) | IFG3 (20-2 dB Step) |
|-----------------------|------------------|-------------------|---------------------|---------------------|
| 0 | 0 | L | L | L |
| -10 | 10 | H | L | L |
| -20 | 20 | L | H | L |
| -30 | 30 | H | H | L |
| -40 | 40 | L | H | H |
| -50 | 50 | H | H | H |

H = >2.5 V (TTL High)
L = <0.8 V (TTL Low)

For each reference level in Table 8-3, the Calibration Attenuator control lines are set to 10 dB of attenuation as shown in the first entry of Table 8-4. The control line settings from Table 8-4 repeat, starting with each reference level in Table 8-3 to produce reference-level changes in 1 dB increments.

Table 8-4. Calibration-Attenuator Control Lines

| Reference Level (dBm) | Calibration Attenuator | IFA1 (1 dB) | IFA2 (2 dB) | IFA3 (4 dB) | IFA4 (8 dB) | IFA5 (16 dB) |
|-----------------------|------------------------|-------------|-------------|-------------|-------------|--------------|
| 0 | 10 | L | H | L | H | L |
| -1 | 9 | H | L | L | H | L |
| -2 | 8 | L | L | L | H | L |
| -3 | 7 | H | H | H | L | L |
| -4 | 6 | L | H | H | L | L |
| -5 | 5 | H | L | H | L | L |
| -6 | 4 | L | L | H | L | L |
| -7 | 3 | H | H | L | L | L |
| -8 | 2 | L | H | L | L | L |
| -9 | 1 | H | L | L | L | L |

H = >2.5 V (TTL High)
L = <0.8 V (TTL Low)

Linear Gain Control Lines for A14 Log Amplifier

Table 8-5 provides the control line voltages from A7 Analog Interface assembly to the A14 Log Amplifier assembly. When the analyzer is in linear mode, the seven A14 log amplifier stages are biased to operate as linear amplifiers. Four of the seven stages are also used to provide 40 dB of gain in 10 dB increments. The linear gains are enabled for the reference levels indicated in Table 8-2 and Table 8-5. Two of the four stages operate as one 20 dB amplifier and are controlled by the same control line, IFG6.

Refer to “A15 Motherboard Assembly” in this chapter when tracing control lines in the IF section.

Note



When enabled, each control line has a -7.6 V dc output. This voltage is supplied by the -8 VT temperature-compensated power supply located on the A14 assembly.

The entries in Table 8-5 are valid when the instrument is set up as follows:

PRESET

SCALE LOG LIN Linear

AMPTD UNITS dBm

Table 8-5. Linear Gain Control Lines on the A14 Assembly

| Reference Level (dBm) | A14 Gain in Linear Mode (dB) | IFG4 (10-1 dB Step) | IFG5 (10-2 dB Step) | IFG6 (20 dB Step) |
|-----------------------|------------------------------|---------------------|---------------------|-------------------|
| -50 | 0 | H | H | H |
| -60 | 10 | L | H | H |
| -70 | 20 | L | L | H |
| -80 | 30 | L | H | L |
| -90 | 40 | L | L | L |

H = +14.3 V dc (disabled)
L = -7.6 V dc (enabled)

A15 Motherboard Assembly

Use this section to identify and locate all the signals and voltages that pass through the A15 Motherboard assembly. The location of active components on the motherboard are also provided.

The following information is provided in this section:

- Figure 8-1, A15 Motherboard Connector Designation. Shows the location and reference designator for each connector on the motherboard.
- Figure 8-2, A15 Connectors with Additional Associated Circuitry. Provides a simplified circuit diagram for the components on the motherboard. To help locate the components, the motherboard connector-pin that is connected to each component is shown.
- Figure 8-3, A15J13 Connector-Pin Designation. Provides the pin numbering sequence for the connector that connects the A8 Power Supply to the motherboard.
- Figure 8-4, Card-Cage Connector Pin Designation. Provides the pin-numbering sequence for the four motherboard connectors in the card cage. The motherboard connector for the A7 Analog Interface assembly (not shown) has the same pin-numbering sequence, but is installed in a position that is reversed when compared to the card-cage connectors.
- Table 8-6, A15 Motherboard Mnemonic Descriptions. Provides the mnemonic, full name, and functional description for each signal and voltage on the motherboard.
- Table 8-7, A15 Motherboard Pin Designations. Identifies the signal or voltage distribution for each signal and voltage on the motherboard.

Each column identifies the instrument assembly that is connected to the A15 motherboard. The associated motherboard reference designator for each assembly is also supplied.

The mnemonics from Table 8-6 are arranged alphabetically by row on the left-hand side of the table.

For a given mnemonic, read across the row to find all the assemblies that the signal or voltage is connected to. The A15 connector pin numbers in each box indicate the A15 connector pins where the signal or voltage appear.

Be sure to read the footnotes at the bottom of Figure 8-1.

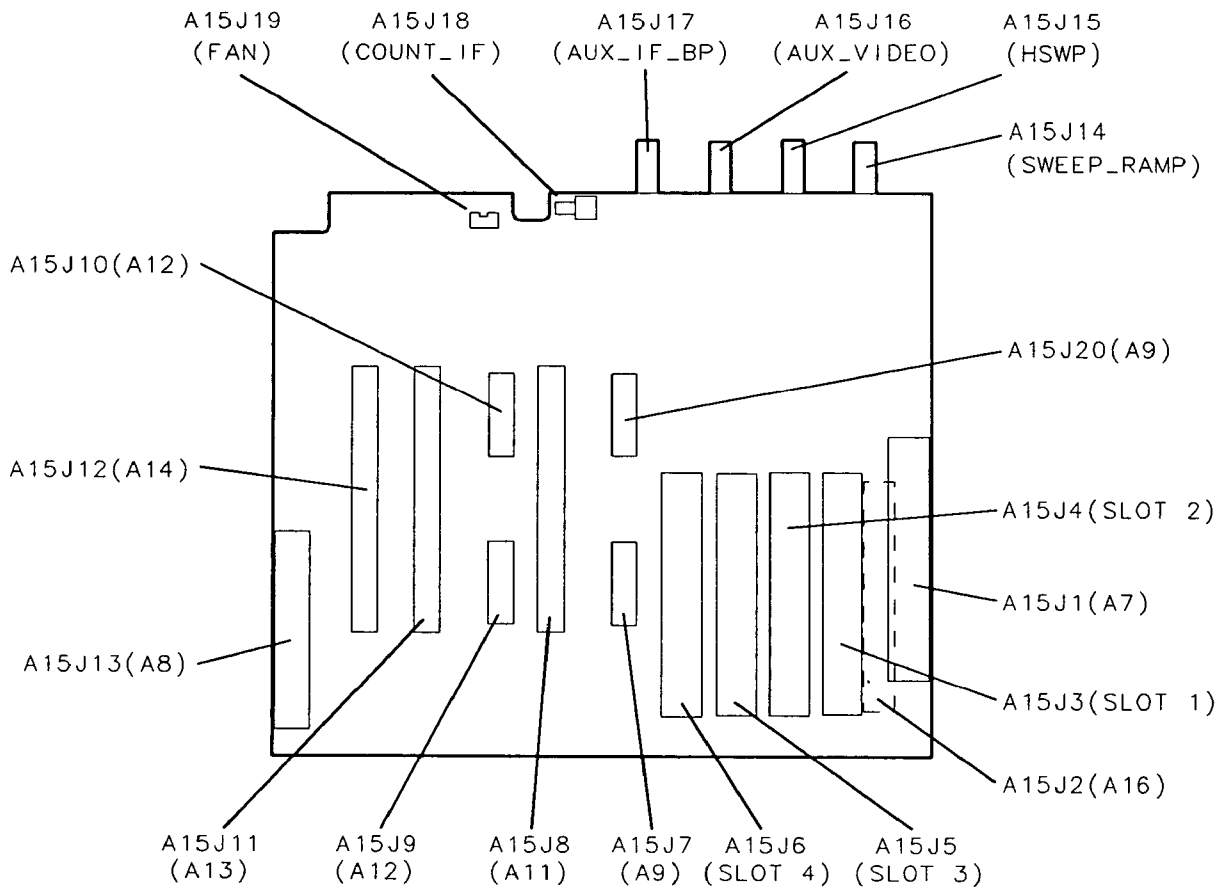


Figure 8-1. A15 Motherboard Connector Designation

- All connector pins on A9J20 are tied to ground (ACOM).
- The A15J1 connector for the A7 Analog Interface assembly is installed in a position that is reversed when compared to card-cage connectors A15J3, A15J4, A15J5, and A15J6; therefore, the pin-numbering order is also reversed for A15J1 when compared to the card-cage connectors.

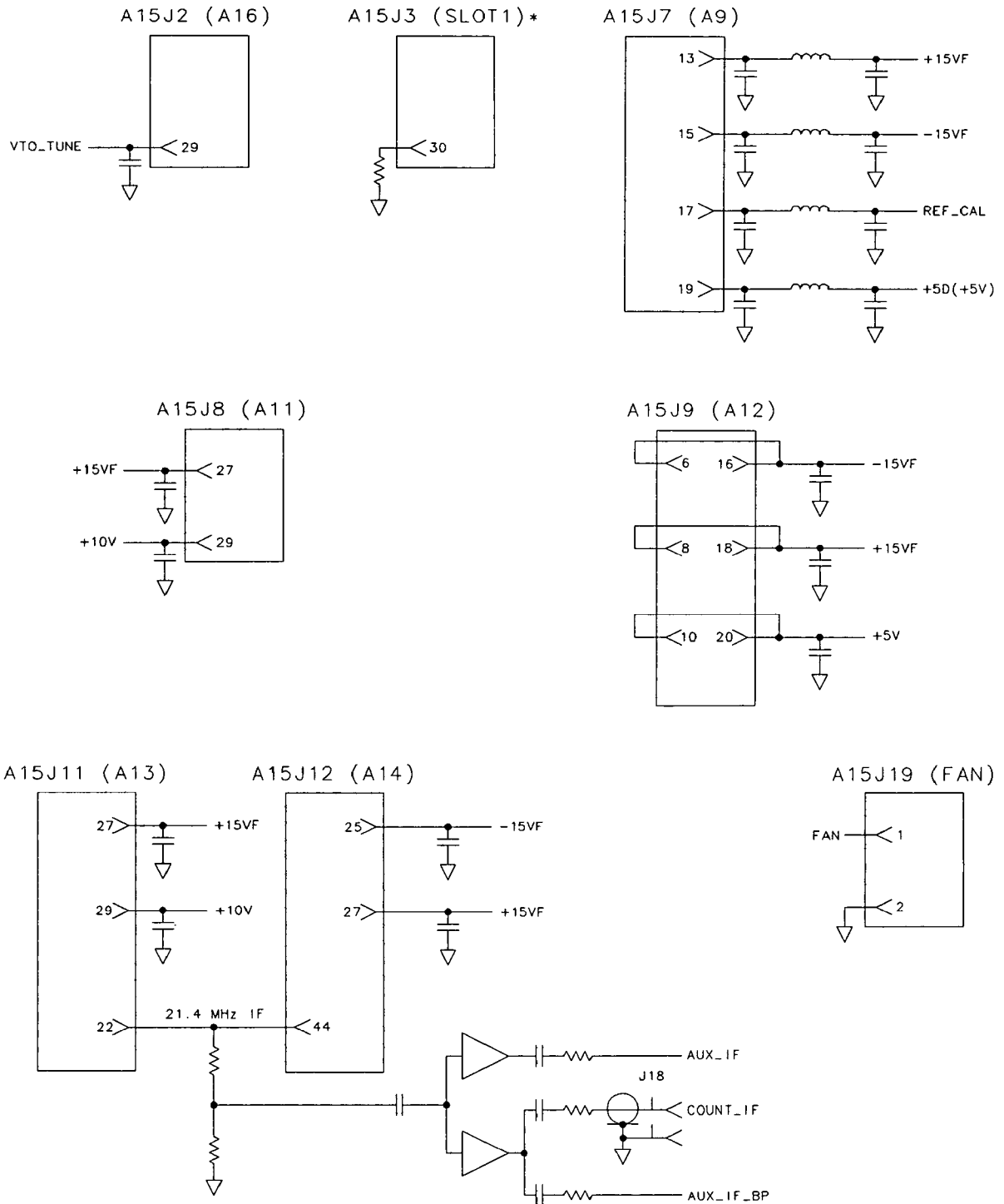


Figure 8-2. A15 Connectors with Additional Associated Circuitry (1 of 2)

REAR FRAME CONNECTORS



Figure 8-2. Figure A15 Connectors with Additional Associated Circuitry (2 of 2)

- The A15 Motherboard pin designation for the 21.4 MHz IF signal path is provided on Foldout 6-2, IF/Control Overall Block Diagram, and in Table 8-7.
- All the connector pins with the same number are connected in parallel for the card-cage connectors A15J3, A15J4, A15J5, and A15J6.

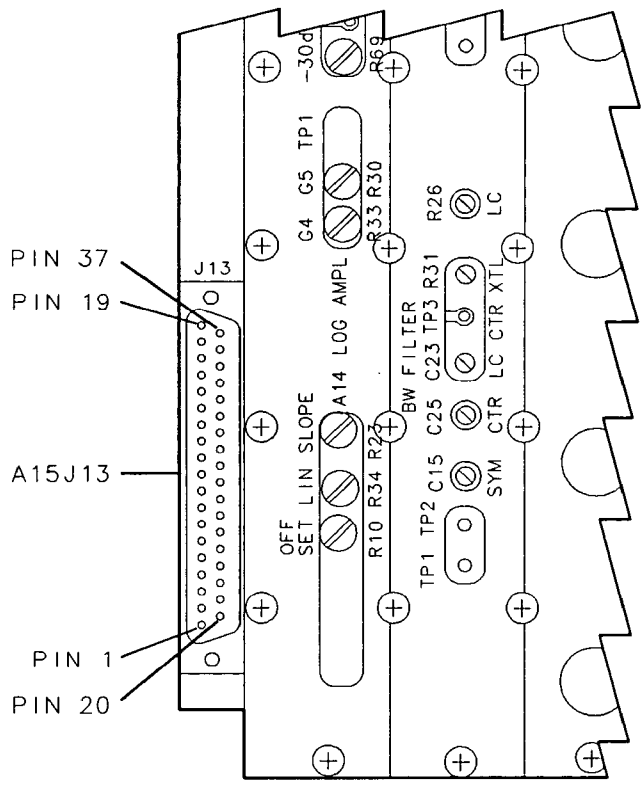


Figure 8-3. A15J13 Connector-Pin Designation

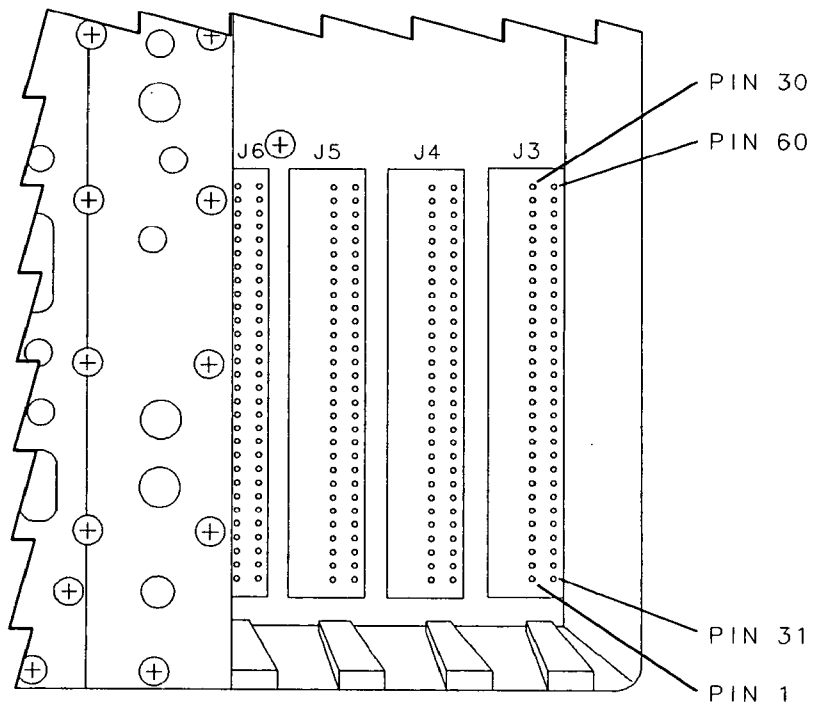


Figure 8-4. Card-Cage Connector Pin Designation

Table 8-6. A15 Motherboard Mnemonic Descriptions

| Mnemonic | Full Name | Description |
|-------------|-------------------------------------|---|
| 21.4 MHz IF | 21.4 MHz IF | The 21.4 MHz IF signal between the A9 Third Converter assembly and the detector on the A14 Log Amplifier assembly. |
| +10V | +10 V Supply | The A7 Analog assembly provides a +10 V bias supply for the LC bandwidth filters on the A11/A13 Bandwidth Filter assemblies. |
| +12V | +12 V Supply | +12 V supply for the A2 Display and the RS-232 option, referenced to DCOM. |
| +15VF | +15 V Supply | +15 V power supply, referenced to ACOM. |
| +5V | +5 V Supply | +5 V power supply, referenced to DCOM. |
| -15V | -15 V Supply | -15 V power supply, referenced to ACOM. |
| -8VT | -8 V Temperature Compensated Supply | Provides -8 V from the temperature-compensated (TC) power supply on the A14 Log Amplifier assembly to the A7 Analog Interface assembly. The A7 provides temperature-compensation for the IFG4-IFG6 and the Log/Lin control lines using the -8 VT as a TC reference. |
| ACOM | Analog Common | A common ground for all analog circuitry. |
| ADC_SYNC | A/D Conversion Synchronization | A positive-going signal that indicates when the main ADC on the A16 Video/Processor assembly has started a A/D conversion. ADC_SYNC resets the peak detectors located on assemblies installed in the HP8591A/93A card cage. |
| ADR0-ADR4 | Address 0-4 | Input/Output (IO) address lines. |
| ANA_TEST | Analog Test | Provides a series of test signals from A7 Analog Interface assembly to A16 Processor/Video assembly during instrument calibration and troubleshooting. (Refer to the A7 Overview Section) |
| AUX_IF | Auxiliary IF | An uncorrected, buffered 21.4 MHz IF signal from the output of the A13 Bandwidth Filter assembly to the four card-cage slots. |
| AUX_IF_BP | Auxiliary IF Back Panel | A uncorrected, buffered 21.4 MHz IF signal from the output of the A13 Bandwidth Filter assembly to J17, AUX IF OUTPUT. |
| AUX_VIDEO | Auxiliary Video | A detected video signal (0--2 V) that has passed through the video filters. No amplitude corrections have been applied to this signal. A voltage divider at J16, AUX VIDEO OUTPUT, reduces the signal amplitude to 0--1 V. |

| Mnemonic | Full Name | Description |
|--------------------------------|---------------------|---|
| BW5 | Bandwidth 5 | A bias voltage that activates either the LC or crystal bandwidth-filter mode. |
| BW6 | Bandwidth 6 | Controls the crystal-filter bandwidth. |
| BW7 | Bandwidth 7 | Controls the LC filter bandwidth. |
| COUNT_IF | Counterlock IF | A buffered 21.4 MHz IF signal from the output of the A13 Bandwidth Filter assembly to A25 Counter-Lock assembly. |
| CRD_ANLG.1 | Card Cage Analog 1 | An analog signal from assemblies installed in the card cage to the A16 input multiplexer. When it is selected, the signal passes through the A16 video-filter and peak-detector sections. It is available on AUX_VIDEO after it passes through the video filter. |
| CRD_ANLG.2 | Card Cage Analog 2 | An analog signal from assemblies installed in the card cage. The signal goes directly to A16 A/D conversion section, bypassing both the video-filter and peak-detector sections. |
| DCOM | Digital Common | A common ground for all digital circuitry. |
| DISCRIM or DISCRIMINATOR | Discriminator | For Spans ≤ 10 MHz, the A25 Counter-Lock assembly sends a dc tuning voltage through the A16 Processor/Video assembly to the A7 Analog Interface assembly. The A7 assembly then adjusts the YTO to reduce residual FM. |
| EXT_HSWP | External High Sweep | EXT_HSWP performs two functions: 1) It provides external control of high sweep on the A16 Processor/Video when an external signal is connected to J15, HIGH SWEEP INPUT/OUTPUT. 2) It provides the HSWP signal as a rear-panel output at J15, HIGH SWEEP INPUT/OUTPUT. <i>This is an open-collector signal. It should never be driven high.</i> |
| FAN | FAN | +12 V power supply for the B1 Fan. |
| HPWRUP | High Power Up | Enables the initial start-up sequence for the CPU on the A16 Processor/Video assembly when the analyzer is first turned on. This occurs prior to the start-up of other related assemblies. |
| HSWP | High Sweep | Provides control for the analyzer display sweep and retrace. A TTL high starts a sweep and a TTL low initiates a retrace. <i>This is an open-collector signal. It should never be driven high.</i> |

| Mnemonic | Full Name | Description |
|------------|--|---|
| IFA1 | IF Attenuation 1 | Control line for 1dB step attenuator on the A12 Amplitude Control assembly. |
| IFA2 | IF Attenuation 2 | Control line for the 2 dB step attenuator on the A12 Amplitude Control assembly. |
| IFA3 | IF Attenuation 3 | Control line for the 4 dB step attenuator on the A12 Amplitude Control assembly. |
| IFA4 | IF Attenuation 4 | Control line for the 8 dB step attenuator on the A12 Amplitude Control assembly. |
| IFA5 | IF Attenuation 5 | Control line for the 16 dB step attenuator on the A12 Amplitude Control assembly. |
| IFG1 | IF Gain 1 | Control line for the 10 dB step gain on the A12 Amplitude Control assembly. |
| IFG2 | IF Gain 2 | Control line for the first 20 dB step gain on the A12 Amplitude Control assembly. |
| IFG3 | IF Gain 3 | Control line for the second 20 dB step gain on the A12 Amplitude Control assembly. |
| IFG4 | IF Gain 4 | Temperature-compensated control line for the 10 dB linear gain on the A14 Log Amplifier assembly. |
| IFG5 | IF Gain 5 | Temperature-compensated control line for the 10 dB linear gain on the A14 Log Amplifier assembly. |
| IFG6 | IF Gain 6 | Temperature-compensated control line for the 20 dB linear gain on the A14 Log Amplifier assembly. |
| INTERBUS | Interbus | A communication line between the four slots in the card cage. It coordinates functions between options when more than one option is installed in the card cage. |
| IOB0-IOB15 | Input/Output Bus 0- Input/Output Bus 15 | Input/Output (IO) data lines used between the A16 Processor/Video assembly and related assemblies. |
| LBIO | Low Bottom-box Input/Output | Strobe line for Input/Output (IO) data transfers. |
| LINE_TRIG | Line Trigger | Provides a TTL signal at the power-line frequency rate. It enables the line-trigger mode on the A16 Processor/Video assembly. |
| LOG_LIN | Log Linear | Controls switching between log and linear modes on the A14 Log Amplifier assembly. |

| Mnemonic | Full Name | Description |
|------------|-------------------------------|---|
| LPWRON | Low Power On | The front-panel line switch provides a TTL low when the switch is depressed. This initiates start-up of the A8 Power Supply and A16 Processor/Video assemblies. |
| LTIO | Low Top-box Input/Output | Strobe line for Input/Output (I/O) data transfers. |
| REF_CAL | Reference Cal | A DAC on the A7 Analog Interface assembly adjusts the gain of the A9 Third Converter assembly through REF_CAL. (Refer to A7 Analog Interface assembly Overview section) |
| SWEEP_RAMP | Sweep Ramp | A 0 to +10 V ramp signal that corresponds to signal sweep across the display. The signal is sent to J14, SWEEP OUTPUT, on the rear frame. |
| VIDEO_IF | Video IF | The detected 21.4 MHz IF signal from the detector on the A14 Log Amplifier assembly to the input multiplexer on the A16 Processor/Video assembly. |
| VTO_TUNE | Voltage-Tuned Oscillator Tune | A tuning voltage from the A25 Counter-Lock assembly to A9 Third Converter assembly. It locks the 600 MHz oscillator on the A9 assembly to the frequency reference. |

Table 8-7. A15 Motherboard Pin Designations

| Mnemonic | Instrument Assemblies | | | | | | | | | | Card Cage |
|-------------|-----------------------|--------------|--------------------------------|---------------------------|-----------------------------|---------------|---------------------------|---|-------------------|------------------------------------|------------------------------|
| | A7 A15J1 | A8 A15J13 | A9 A15J7 | A11 A15J8 | A12 A15J9 | A12 A15J10 | A13 A15J11 | A14 A15J12 | A16 A15J2 | | |
| 21.4 MHz IF | | | 9 | 22, 23 | 1 | 20 | 22, 23 | # | | | Slots 1,2,3,4 A15J3,4,5,6 |
| +10 V | 22 * | | | 29 | | | 29 | # | | | |
| +12 V | | 13, 32 * | | | | | | | 27, 57 | | |
| +15 V | 3, 33 | 1, 2, 3 * | # | 27 | 8, 18 | | 27 | # | 8, 38 | | 9, 39 |
| +5 V | 19, 49 | 9,10,11,12 * | # | | 10, 20 | | | | 25, 26, 55, 56 | | 26, 56 |
| -15 V | 4, 34 | 4, 5, 6 * | # | | 6, 16 | | | 25 | 9, 39 | | 10, 40 |
| -8 VT | 23 | 23, 24, 25 | | | | | | 8 * | | | |
| ACOM | 2, 32 | 7, 26, 27 | 1-8, 10, 12, 14, 16, 18, 20 | 1-21, 24-26, 28, 33-44 | 2-5, 7, 9, 11-15, 17, 19 | 5-10, 15-19 | 1-21, 24-26, 28, 33-44 | 1, 3-7, 9-24, 26, 28-30, 32-37, 41-43 | 2, 4, 6, 32-37 | 2, 4, 6, 8 29, 31-38, 59, 60 | |
| ADC_SYNC | | | | | | | | | 30 * | * | 27 |
| ADRO | 6 | | | | | | | | 11 | * | 12 |
| ADR1 | 36 | | | | | | | | 41 | * | 42 |
| ADR2 | 7 | | | | | | | | 12 | * | 13 |

* Pin numbers indicate assembly where signal or voltage originates.

Refer to the figure, "A15 Connectors with Additional Associated Circuitry" in this section

Table 8-7. A15 Motherboard Pin Designations (continued)

| Mnemonic | Instrument Assemblies | | | | | | | | | | Card Cage |
|-------------|-----------------------|--------------|-------------|--------------|--------------|---------------|---------------|---------------|--------------|--------------|-----------|
| | A7 A15J1 | A8 A15J13 | A9 A15J7 | A11 A15J8 | A12 A15J9 | A12 A15J10 | A13 A15J11 | A14 A15J12 | A16 A15J2 | A16 A15J2 | |
| ADR3 | 37 | | | | | | | | 42 | * | 43 |
| ADR4 | 8 | | | | | | | | 13 | * | 14 |
| ANA_TEST | 31 | | | | | | | | 31 | * | |
| AUX_IF | | | | | | 22 | * # | | | | 30 |
| AUX_IF_BP | | | | | | 22 | * # | | | | |
| AUX_VIDEO | | | | | | | | | 7 | * | 7 |
| BW5 | 24 | | | 30 | | | | | | | |
| BW6 | 54 | | | 31 | | | | | | | |
| BW7 | 25 | | | 32 | | | | | | | |
| COUNT_IF | | | | | | | | | | | |
| CRD__ANLG_1 | | | | | | | | | 3 | * | 3 |
| CRD__ANLG_2 | | | | | | | | | 5 | * | 5 |

* Pin numbers indicate assembly where signal or voltage originates.

Refer to the figure, "A15 Connectors with Additional Associated Circuitry" in this section.

Table 8-7. A15 Motherboard Pin Designations (continued)

| Mnemonic | Instrument Assemblies | | | | | | | | | | Card Cage |
|--------------------|--------------------------|--------------|-------------|--------------|--------------|---------------|---------------|---------------|--------------------------|--------------------------|------------------------------|
| | A7 A15J1 | A8 A15J13 | A9 A15J7 | A11 A15J8 | A12 A15J9 | A12 A15J10 | A13 A15J11 | A14 A15J12 | A16 A15J2 | A16 A15J2 | |
| DCOM | 11, 16, 35, 38 43, 48 | 14-17, 33-36 | | | | | | | 16, 21, 40 43, 48, 53 | 17, 22, 41 44, 49, 54 | Slots 1,2,3,4 A15J3,4,5,6 |
| DISCRIMI- NATOR | 21 | | | | | | | | * | | |
| EXT_HSWP # | | | | | | | | | | | |
| FAN # | | 8 * | | | | | | | | | |
| HPWRUP | 50 | 37 * | | | | | | | 54 | 55 | |
| HSWP # | | | | | | | | | 58 * | 57 | |
| IFA1 | 58 * | | | | | 4 | | | | | |
| IFA2 | 29 * | | | | | 3 | | | | | |
| IFA3 | 59 * | | | | | 2 | | | | | |
| IFA4 | 30 * | | | | | 1 | | | | | |
| IFA5 | 60 * | | | | | 11 | | | | | |
| IFG1 | 55 * | | | | | 14 | | | | | |

* Pin numbers indicate assembly where signal or voltage originates.

Refer to the figure, "A15 Connectors with Additional Associated Circuitry" in this section.

Table 8-7. A15 Motherboard Pin Designations (continued)

| Mnemonic | Instrument Assemblies | | | | | | | | | | Card Cage | |
|----------|-----------------------|--------------|-------------|--------------|--------------|---------------|---------------|---------------|--------------|----|-----------|------------------------------|
| | A7 A15J1 | A8 A15J13 | A9 A15J7 | A11 A15J8 | A12 A15J9 | A12 A15J10 | A13 A15J11 | A14 A15J12 | A16 A15J2 | | | |
| IFG2 | * | | | | | 13 | | | | | | Slots 1,2,3,4 A15J3,4,5,6 |
| IFG3 | * | | | | | 12 | | | | | | |
| IFG4 | * | | | | | | | | | 38 | | |
| IFG5 | * | | | | | | | | | 39 | | |
| IFG6 | * | | | | | | | | | 40 | | |
| INTERBUS | | | | | | | | | | | | 58 # |
| IOB0 | 9 | | | | | | | | | | 14 | 15 |
| IOB1 | 39 | | | | | | | | | | 44 | 45 |
| IOB2 | 10 | | | | | | | | | | 5 | 16 |
| IOB3 | 40 | | | | | | | | | | 45 | 46 |
| IOB4 | 41 | | | | | | | | | | 46 | 47 |
| IOB5 | 12 | | | | | | | | | | 17 | 18 |

* Pin numbers indicate assembly where signal or voltage originates.

Refer to the figure, "A15 Connectors with Additional Associated Circuitry" in this section.

Table 8-7. A15 Motherboard Pin Designations (continued)

| Mnemonic | Instrument Assemblies | | | | | | | | | | Card Cage |
|-----------|-----------------------|--------------|-------------|--------------|--------------|---------------|---------------|---------------|--------------|--|-----------|
| | A7 A15J1 | A8 A15J13 | A9 A15J7 | A11 A15J8 | A12 A15J9 | A12 A15J10 | A13 A15J11 | A14 A15J12 | A16 A15J2 | | |
| IOB6 | 42 | | | | | | | | 47 | | 48 |
| IOB7 | 13 | | | | | | | | 18 | | 19 |
| IOB8 | 14 | | | | | | | | 19 | | 20 |
| IOB9 | 44 | | | | | | | | 49 | | 50 |
| IOB10 | 15 | | | | | | | | 20 | | 21 |
| IOB11 | 45 | | | | | | | | 50 | | 51 |
| IOB12 | 46 | | | | | | | | 51 | | 52 |
| IOB13 | 17 | | | | | | | | 22 | | 23 |
| IOB14 | 47 | | | | | | | | 52 | | 53 |
| IOB15 | 18 | | | | | | | | 23 | | 24 |
| LBIO | 5 | | | | | | | | * | | 11 |
| LINE_TRIG | | | | | | | | | 18 | | 60 |

* Pin numbers indicate assembly where signal or voltage originates.

Refer to the figure, "A15 Connectors with Additional Associated Circuitry" in this section.

Table 8-7. A15 Motherboard Pin Designations (continued)

| Mnemonic | Instrument Assemblies | | | | | | | | | | Card Cage |
|------------|-----------------------|--------------|-------------|--------------|--------------|---------------|---------------|---------------|--------------|--------------|------------------------------|
| | A7 A15J1 | A8 A15J13 | A9 A15J7 | A11 A15J8 | A12 A15J9 | A12 A15J10 | A13 A15J11 | A14 A15J12 | A16 A15J2 | A16 A15J2 | |
| LOG_LIN | 52 * | | | | | | | 31 | | | Slots 1,2,3,4 A15J3,4,5,6 |
| LPWRON | | 19 | | | | | | | 59 * | | |
| LTIO | | | | | | | | | 24 * | | 25 |
| REF_CAL | 53 * | | # | | | | | | | | |
| SWEEP_RAMP | 51 * | | | | | | | | | | 28 |
| VIDEO_IF | | | | | | | | 2 * | 1 | | 1 |
| VTO_TUNE | | | 11 | | | | | | 29 * # | | |

* Pin numbers indicate assembly where signal or voltage originates.

Refer to the figure, "A15 Connectors with Additional Associated Circuitry" in this section.



Control/Display Section Troubleshooting

Introduction

This chapter provides detailed procedures for safe-guarding the correction data stored in RAM on the A16 Processor/Video assembly, and resetting the analyzer memory after a repair or replacement of the A16 assembly. Troubleshooting information for the A7 Analog Interface assembly is also provided.

Refer to Chapter 6 for an overview of analyzer operation and troubleshooting procedures that are useful when first starting to troubleshoot an analyzer failure.

Before You Start Troubleshooting

There are three things you must do *before* you begin troubleshooting an instrument failure:

1. Familiarize yourself with the safety symbols marked on the analyzer, the general safety instructions, and the symbol definitions given in the front of this manual.
2. Read the section entitled “Protection from Electrostatic Discharge” in Chapter 1. The spectrum analyzer contains static-sensitive components.
3. Become familiar with the organization of the troubleshooting information in Chapter 6 and the information in this chapter.

Warning



The analyzer contains potentially hazardous voltages. Refer to the safety symbols on the analyzer and the general safety instructions in this manual before operating the unit with the cover removed. Failure to heed the safety precautions can result in severe or fatal injury.

Backing Up Analyzer Correction Constants

This section describes how to retrieve the correction-constant data from the instrument memory and record the data as a backup copy. As long as the data remains valid it can be used to recalibrate the instrument quickly after a memory loss. It is recommended that a copy of this data be maintained in the user's records. Procedures for restoring the correction constants to battery-backed RAM memory are also provided in this section.

Note



If the current correction constants are not valid, new correction constants must be generated. Refer to the following adjustment procedures in Chapter 2:

- "10 MHz Reference (Standard)."
- "Frequency Response."
- "Cal Attenuator Error Correction."
- "External ALC Error Correction (Option 010 and 011)."

The HP 8591A stores the following correction constants in RAM:

- The flatness correction constants, used to correct frequency-response amplitude errors.
- The step-attenuation correction constants, used to correct A12 Amplitude Control step-attenuator errors and provide a relative amplitude reference for the **CAL AMPTD** self-calibration routine.
- The timebase correction constant, used by the DAC that tunes the RTX0 (10 MHz timebase) on the A25 Counter Lock assembly. Instruments with Option 004, Precision Frequency Reference, do not use this correction constant.
- The CALTGX slope and offset correction constants, used to improve the performance of the external automatic level control (ALC). Only analyzers equipped with a tracking generator (Option 010 and 011) use these corrections.

Retrieving the Timebase and Flatness-Correction Constants

1. Make a copy of the Correction Constant Backup-Data Record at the end of this section.
2. Record the date and instrument serial number.
3. Press the following keys:

PRESET

FREQUENCY

-37 **Hz**

CAL

MORE 1 of 3

MORE 2 of 3

Note

For Option 004 instruments, bypass the next two steps.



-
4. Press **VERIFY TIMEBASE**.
 5. Record the number that is displayed in the active-function block in Table 9-1.
 6. Press the following keys:
SERVICE CAL
FLATNESS DATA
EDIT FLATNESS
 7. The signal trace represents the frequency-response (flatness) correction-constant data. The active-function block displays the frequency response error, in dB, for 4 MHz.
 8. Record the frequency-response error for 4 MHz in Table 9-2.
 9. Press **↑**.
 10. Record the next frequency-response error in Table 9-2.
 11. Repeat the previous two steps until all frequency-response errors are recorded. Use **↓** to view previous data points.
 12. Press **EXIT** when all frequency-response errors have been recorded.

Retrieving the A12 Step-Gain and CALTGX Correction Constants

1. Press the following keys to view the current A12 step-attenuator correction constants.

CAL

MORE 1 of 3

MORE 2 of 3

SERVICE DIAG

DISPLAY CAL DATA

2. Look at the first five entries in the ERR column; they are the amplitude errors for the 1 dB, 2 dB, 4 dB, 8 dB, and 16 dB step-attenuators.
3. Record the amplitude errors (correction constants) for the five step-attenuators in Table 9-3.

Note

The next step is for analyzers equipped with a tracking generator (Option 010 or 011) only.



4. Record the CALTGX slope and offset correction constants in Table 9-4. The correction constants are printed on a label that is located on the A7A1 Tracking Generator Control Board assembly.

File the completed copy of the Correction-Constant Data Record for future reference.

Correction Constant Backup-Data Record

| | |
|-------------------------|------------|
| Hewlett-Packard Company | |
| Model HP 8591A | |
| Serial No. _____ | Date _____ |

**Table 9-1.
RTXO Timebase Correction Constant (Instruments without Option 004)**

| | |
|----------|-------|
| Timebase | _____ |
|----------|-------|

Table 9-2. Frequency Response Correction Constants

| Frequency (MHz) | Error (dB)* | Frequency (MHz) | Error (dB)* | Frequency (MHz) | Error (dB)* | Frequency (MHz) | Error (dB)* |
|--------------------|----------------|--------------------|----------------|--------------------|----------------|--------------------|----------------|
| 4 | _____ | 485 | _____ | 966 | _____ | 1447 | _____ |
| 41 | _____ | 522 | _____ | 1003 | _____ | 1484 | _____ |
| 78 | _____ | 559 | _____ | 1040 | _____ | 1521 | _____ |
| 115 | _____ | 596 | _____ | 1077 | _____ | 1558 | _____ |
| 152 | _____ | 633 | _____ | 1114 | _____ | 1595 | _____ |
| 189 | _____ | 670 | _____ | 1151 | _____ | 1632 | _____ |
| 226 | _____ | 707 | _____ | 1188 | _____ | 1669 | _____ |
| 263 | _____ | 744 | _____ | 1225 | _____ | 1706 | _____ |
| 300 | _____ | 781 | _____ | 1262 | _____ | 1743 | _____ |
| 337 | _____ | 818 | _____ | 1299 | _____ | 1780 | _____ |
| 374 | _____ | 855 | _____ | 1336 | _____ | 1817 | _____ |
| 411 | _____ | 892 | _____ | 1373 | _____ | | _____ |
| 448 | _____ | 929 | _____ | 1410 | _____ | | _____ |

* Instruments equipped with Option 001, 75Ω Input Impedance, display dBmV.

Table 9-3. A12 Step-Attenuator Correction Constants

| Attenuator Step | ERR (dB) | Attenuator Step | ERR (dB) |
|-----------------|----------|-----------------|----------|
| 1 dB | _____ | 4 dB | _____ |
| 2 dB | _____ | 8 dB | _____ |
| | | 16 dB | _____ |

Table 9-4. CALTGX Correction Constants (Option 010 and 011)

| | |
|--------|-------|
| Slope | _____ |
| Offset | _____ |

A16 Memory Reset

Note



Before performing a memory reset, check the status LEDs on the A16 assembly at instrument power-up. If the A16 LEDs, DS1 through DS16, do not cycle on and off at power-up, there is a problem with the A16 central processing unit (CPU) that a memory reset will not correct. (It is normal for DS13 to remain on after **PRESET**.)

The A16 memory may contain erroneous information that causes the A16 CPU to malfunction. The following are possible memory-failure symptoms.

- A random display periodically flashes on-screen. Refer to the “Symptoms of a Dead Battery” section in this chapter.
- Following instrument preset, the error message **FAIL: 0330 0000000000** is displayed. Refer to the “Symptoms of a Dead Battery” section in Chapter 6.
- The analyzer halts during power-up or when **PRESET** is used.

A CPU malfunction can be caused by a user’s accidentally writing to a sensitive memory location or by a defective down-loadable program (DLP). The analyzer may also appear to be defective because the CPU is making extreme instrument corrections based on erroneous calibration data.

Performing an A16 Memory Reset

There are three levels of memory reset; each level has a greater effect on the instrument memory.

1. Before doing a memory reset, enter the –37 Hz passcode and use **DEFAULT CAL DATA** to bypass the current calibration data.
 - If the instrument functions properly, recalibrate it using the self-calibration routines.
 - If the instrument still does not function properly, continue with the next level of memory reset.
2. Use **DISPOSE USER MEMORY** to eliminate all programs stored in user memory.

All down-loaded programs (DLPs) that are stored in user memory must be reloaded after using this function.

Refer to the *HP 8591A/8593A Installation, Verification, and Operation Manual* for information about **DISPOSE USER MEMORY**.

Caution



The following memory-reset procedure is the most extreme level of memory reset. It should be performed only if all other attempts at solving the problem have failed. A memory reset will delete all the correction constants stored in RAM. New correction constants must be generated if the original correction constants were not saved before the analyzer failed.

Use the procedures in “Backing Up the Correction Constants” to retrieve the correction constants.

3. Use the following procedure to erase all RAM memory. This procedure disables the battery-backed RAM by shorting the holding capacitor, C106, that is in parallel with the BT101 Battery.

1. Turn the analyzer off and disconnect line power.
2. Remove the instrument cover. Refer to the instrument cover removal procedure in Chapter 3.
3. Position the analyzer so that the bottom side is facing up.
4. Locate U104 on the A16 assembly. Refer to Figure 9-1.

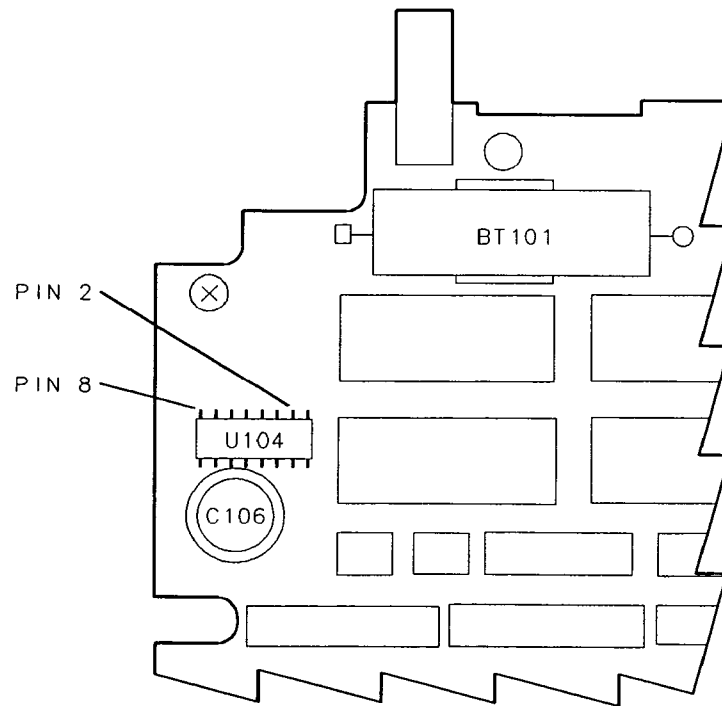


Figure 9-1. Location of U104 on the A16 Assembly

5. Connect a small jumper wire from pin 2 to pin 8 on U104 for approximately 10 seconds.
6. Reconnect the line cord and turn the instrument on.

Instrument Response after Memory Reset

After a memory reset, the analyzer may display one of the following symptoms:

- A random display periodically flashes on-screen.
- An empty rectangle appears, closely followed by the message SYMTAB EMPTY. Approximately 8 seconds later, the instrument performs an instrument preset and the error message FAIL: 0330 0000000000 is displayed.

If the random display appears, the analyzer did not automatically load the default-correction data and cannot perform an instrument preset. The CPU is cycling slowly but is not able to recover. Although the softkeys are not visible, load the default-calibration data by performing the following steps:

Note

Allow approximately 2 seconds between each key press so that the CPU has time to respond.



-
1. Press **FREQUENCY**.
 2. Enter the -37 Hz passcode.
 3. Press **CAL**.
 4. Press the lowest softkey—**MORE 1 OF 3**.
 5. Press the lowest softkey again—**MORE 2 OF 3**.
 6. Press the third softkey from the top—**DEFAULT CAL DATA**.

After the default calibration-data is accepted, the analyzer should recover by performing an instrument preset.

- If the analyzer does not recover, repeat the six steps above.
- If a normal display appears, continue at “Analyzer Recovery after a A16 Memory Loss.”
- If the error message **FAIL: 0330 0000000000** is displayed, it is not a problem. Continue at the next section.

Analyzer Recovery after a A16 Memory Loss

The procedures in this section restore the correction constants recorded on the Correction Constant Backup-Data Record to analyzer memory, initialize the analyzer settings that are lost after a memory failure, and recalibrate the analyzer.

Note



If the current correction constants are not valid, new correction constants must be generated and stored in memory.

- Perform the steps in “Resetting the Analyzer Power-On Units.”
- Generate new correction constants using the following adjustment procedures from Chapter 2:
 - “10 MHz Reference (Standard).”
 - “Frequency Response.”
 - “Cal Attenuator Error Correction.”
 - “External ALC Error Correction (Option 010 and 011).”
- Return to this procedure and perform the steps in “Instrument Recalibration after Reloading the Correction Constants.”

Resetting the Analyzer Power-On Units

1. Turn the analyzer on.

Note



After a memory loss, the analyzer may display one of the following symptoms:

- A random display periodically flashes on-screen.
- An empty rectangle appears, closely followed by the message SYMTAB EMPTY. Approximately 8 seconds later, the instrument performs an instrument preset and the error message FAIL: 0330 0000000000 is displayed.

Perform the steps in “Instrument Response after Memory Reset” in the previous section and then continue with this procedure.

2. Set the analyzer power-on units by pressing the following analyzer keys:

```
PRESET
FREQUENCY -2001 Hz
AMPLITUDE MORE 1 of 2 INPUT Z (50) (Option 001: INPUT Z (75))
AMPLITUDE SCALE LOG LIN (LOG) MORE 1 of 2 AMPTD UNITS dBm (Option 001:
dBmV)
AMPLITUDE SCALE LOG LIN (LIN) MORE 1 of 2 AMPTD UNITS Volts
AMPLITUDE SCALE LOG LIN (LOG)
CAL MORE 1 of 3 MORE 2 of 3 SERVICE CAL STOR POWR ON UNITS
```

Reloading the Timebase and Flatness Correction Constants

Ensure that all recorded correction constants are valid before they are reentered in the instrument memory. Repair, replacement, or adjustment of particular assemblies requires the generation of new correction constants. Refer to Table 6-2, "Adjustments and Tests for Replaced or Repaired Assemblies," for the assemblies that affect the correction constants.

1. Press the following keys to eliminate erroneous data that may be stored in RAM:

PRESET
FREQUENCY -37 **Hz**
CAL MORE 1 of 3 MORE 2 of 3
DEFAULT CAL DATA

2. Press the following keys to enter the service calibration menu:

PRESET
FREQUENCY
-2001 **Hz**
CAL
MORE 1 of 3
MORE 2 of 3
SERVICE CAL

Note For Option 004 instruments, bypass the next four steps.



3. Press **CAL TIMEBASE**.
4. Enter the value from Table 9-1 and press **ENTER** to complete the timebase-data entry.
5. Press the following keys to store the timebase data in memory:

CAL
MORE 1 of 3
CAL FETCH
MORE 2 of 3
MORE 3 of 3
CAL STORE

6. Press the following keys to reenter the passcode and return to the service calibration menu:

FREQUENCY

-2001 **Hz**

CAL

MORE 1 of 3

MORE 2 of 3

SERVICE CAL

7. Press **FLATNESS DATA** to enter the flatness data menu.
8. Press **INIT FLT** to set the start frequency, stop frequency and step size for the entry of the flatness correction constants.
9. Press the following keys before entering the correction data:

FREQUENCY

-2001 **Hz**

CAL

MORE 1 of 3

MORE 2 of 3

SERVICE CAL

FLATNESS DATA

EDIT FLATNESS

10. Enter the correction constant for 4 MHz from Table 9-2 and terminate the entry with the **+dBm** or **-dBm** key, as appropriate.
11. Enter each correction constant from Table 9-2.
 - On later analyzers, each entry is displayed briefly before the data-entry routine steps to the next correction data point.
 - On earlier analyzers, the value of the current data point is displayed until another data point is selected using the **↑** or **↓** key.
12. Use **↑** and **↓** to edit previously entered correction data.
13. When all flatness correction constants are entered, press **STORE FLATNESS**. The analyzer will automatically preset.

Reloading the A12 Step Gain and CALTGX Correction Constants

1. Press the following keys before reloading the step-attenuator correction constants:

PRESET

FREQUENCY

Enter -2001 **Hz**

CAL

MORE 1 of 3

MORE 2 of 3

SERVICE CAL

SET ATTN ERROR

2. REF LVL OFFSET is displayed in the active-function block above the prompt ENTER CAL ATTN ERROR 1.
3. At the prompt, Enter the five step-attenuator correction constants (resolution 0.01 dB) from Table 9-3.

Terminate each entry with either **+dBm** or **-dBm**, as appropriate. Each entry is displayed to the left of the graticule as an amplitude offset, but only with 0.1 dB resolution. An instrument preset occurs after the 16 dB step-attenuator error is entered.

Note The next step is for analyzers equipped with a tracking generator (Option 010 or 011) only.



4. Restore the CALTGX slope and offset correction constants from Table 9-4 using the “Entering External ALC Correction Constants (Option 010 and 011)” procedure in Chapter 2.

Instrument Recalibration after Reloading the Correction Constants

1. Connect the CAL cable from CAL OUT to the RF INPUT. Connect the 75Ω CAL cable for analyzers with Option 001, 75Ω Impedance Input.
2. Perform the self-calibration routines by pressing the following keys:

PRESET

FREQUENCY -37 **Hz**

CAL FREQ & AMPTD

When CAL: DONE is displayed in the active-function block, the instrument is calibrated. The calibration procedure takes approximately 8 minutes.

3. Adjust the vertical and horizontal position of the display using **CRT VERT POSITION** and **CRT HORZ POSITION**.

Refer to the “Display Position” section of the “Display” adjustment procedure in Chapter 2.

4. Press **CAL** and **CAL STORE** to store the correction values in nonvolatile memory.

Note

Refer to the *HP 8591A/8593A Spectrum Analyzer Installation, Verification, and Operation Manual* for a description of the default settings provided by **DEFAULT CONFIG**.

5. Press the following keys to return the instrument to the default configuration:

CONFIG

MORE 1 of 2

DEFAULT CONFIG

Note

The 3.1.90 version of firmware has added a new feature, **POWERON**. The command, **POWERON**, allows the analyzer power-on state to be set to one of the following:

- **POWERON IP**. This selection performs an instrument preset at power-on.
- **POWERON LAST**. This selection recalls the last state of the analyzer before it was powered off.

After enabling **DEFAULT CONFIG**, the analyzer defaults to **POWERON LAST** at power-on.

The **POWERON IP** power-on state is set at the factory and it is recommended that **POWERON IP** be used as the standard power-on state.

The **EXECUTE TITLE** function is used to select the power-on state.

6. Perform the following steps to set the power-on state to **POWERON IP**:

1. Press **DISPLAY CHANGE TITLE**. If necessary, clear the current screen title by pressing the **YZ_# SPC CLEAR** and **CLEAR** softkeys.
2. Enter **POWERON IP**; in the screen title using the front-panel keys.
3. Press the following keys to execute the **POWERON IP**; command:

CAL

MORE 1 of 3

MORE 2 of 3

SERVICE CAL

EXECUTE TITLE

7. If a new A16 assembly (with a new battery attached) is installed, enter the replacement date on the battery label located on the rear-frame of the analyzer.
8. Adjust the time and date. Refer to the "Time and Date" adjustment procedure in Chapter 2 of this manual.

A7 Analog Interface Assembly

The A7 Analog Interface assembly interprets commands from the A16 Processor/Video assembly, and produces control signals that are compatible with the individual control requirements of each assembly.

The following assemblies in the RF section receive control signals from the A7 assembly:

- A3 Input Attenuator
- A9 Third Converter

Refer to Chapter 7 for more information about the RF assemblies.

The A6 YTO in the LO section receives control signals from the A7 assembly. Refer to Foldout 7-1, LO Section Block Diagram, for more information about the YTO.

The following assemblies in the IF section receive control signals from the A7 assembly:

- A11 Bandwidth Filter
- A12 Amplitude Control
- A13 Bandwidth Filter
- A14 Log Amplifier

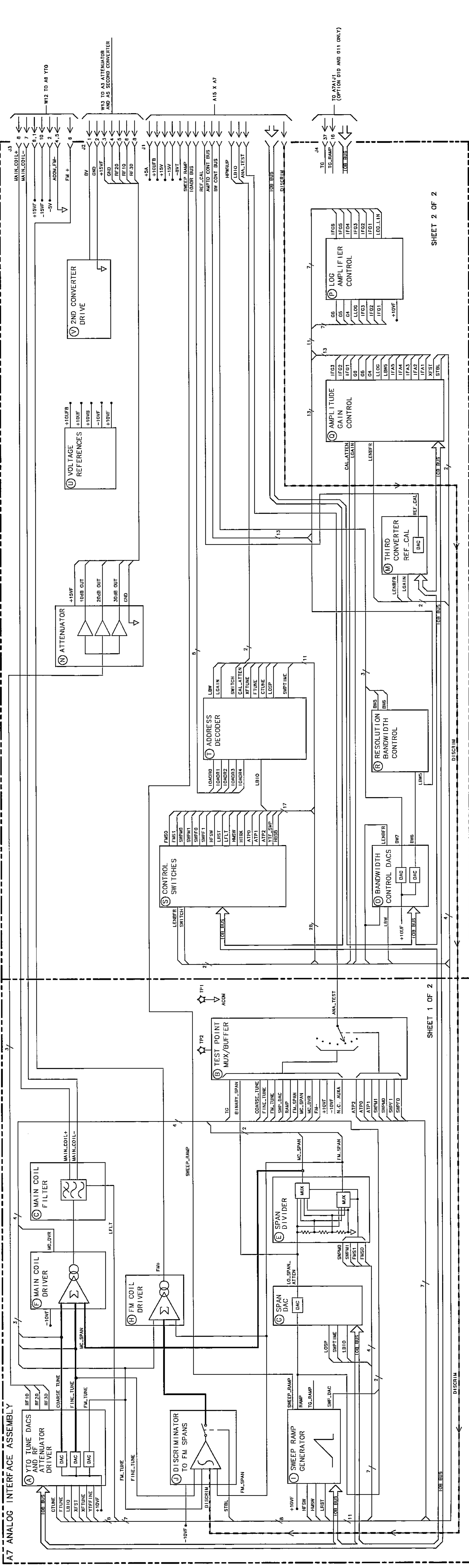
Refer to “IF Section Information” and “A15 Motherboard Assembly” in Chapter 8 when tracing control lines in the IF section.

Refer to Foldout 9-1, A7 Analog Interface Assembly Block Diagram, at the end of this section for details about the operation of the A7 assembly.

The A7 assembly processes the digital commands sent over the IOB by the A16 Processor/Video Assembly and sends various control signals to the assemblies listed above. There are three types of control signals:

- DAC outputs are used to adjust amplifier gains, IF filter bandwidths, and mixer bias current.
- Current sources are used to tune the YTO.
- On/Off control voltages are used to switch the input attenuator steps, various PIN diode switches, and amplifier stages.

The A7 assembly also routes several key voltages to the main ADC on the A16 assembly. The CPU uses the test point voltages to monitor the performance of individual assemblies. These voltage values are used during the self-calibration routines and while related **SERVICE DIAG** softkey functions are in use. Refer to Chapter 10 for more information.



A7 ANALOG INTERFACE ASSEMBLY

SHEET 1 OF 2

SHEET 2 OF 2

Softkey Descriptions

Introduction

Refer to this chapter for an explanation of the instrument passcodes, the two types of instrument correction data, and the service-related softkeys that are available after pressing **CAL**.

The calibration, service, and diagnostic softkey functions are listed alphabetically. A list of service-related softkeys follows each softkey description, when appropriate. Refer to the description of each related softkey to understand how the softkey functions interrelate.

Calibration, Service, and Diagnostic Softkey Functions

The front-panel **CAL** key provides the softkey menus for the self-calibration routines, the confidence test, the service-calibration and service-diagnostic routines. Refer to Figure 10-1 for the organization of the softkeys related to **CAL**.

Caution

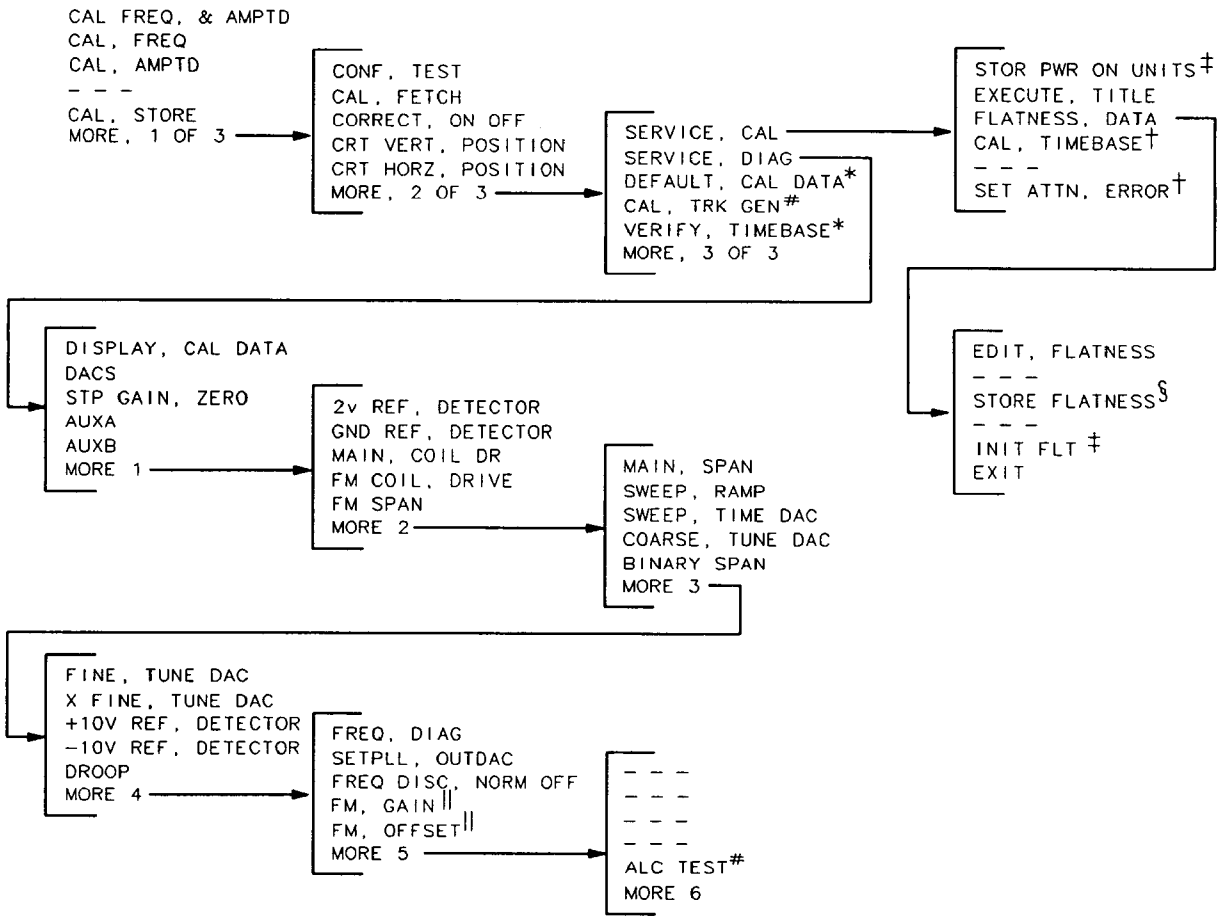


Correction-constant data can be lost if the **SERVICE CAL** softkeys are used improperly. Refer to the appropriate softkey description for instructions on softkey usage.

CAL Softkey Organization

Figure 10-1 provides the organization of all softkeys available after pressing **CAL**. Each block of softkeys represents the softkeys that are displayed at one time. The diagram flow indicates the actual key sequence used for each softkey. The footnotes identify softkeys that appear only when a passcode has been entered or a specific instrument option is installed in the analyzer.

CAL



- * Function is not active unless either -37 Hz or -2001 Hz Passcode is entered.
- † Function is not active unless -2001 Hz Passcode is entered.
- ‡ Present only if -2001 Hz Passcode is entered.
- § Present only if -2001 Hz Passcode is entered and "EDIT FLATNESS" softkey is pressed.
- || Present for Option 102 only.
- # Present for Option 010 and 011 only.

Figure 10-1. Calibration, Service, and Diagnostic Softkey Tree

Passcodes

Passcodes activate specific softkey functions and protect the correction data from accidental erasure or modification. The two passcodes, -37 Hz and -2001 Hz, are explained below.

- Use the -37 Hz passcode to perform the following functions:
 - Replace the current calibration-factors with the default calibration data provided by **DEFAULT CAL DATA**.
 - Check the accuracy of the 10 MHz frequency reference using **VERIFY TIMEBASE**. Refer to the 10 MHz Reference Accuracy (Standard Timebase) Verification Test in the *HP 8591A/8593A Installation, Verification, and Operation Manual*.
 - Bypass the CAL OUT set-up check within individual self-calibration routines.
- Use the -2001 Hz service passcode to perform the following functions:
 - Set the start frequency, stop frequency, and step size of the flatness correction points using **INIT FLT**.
 - Edit the flatness-correction constants using **EDIT FLATNESS**.
 - Edit the A12 Amplitude Control step-attenuator correction constants using **SET ATTN ERROR**.
 - Set the correction factor for the 10 MHz frequency reference (standard timebase).
 - Modify the displayed power units that appear when the instrument is first turned on using **STOR PWR ON UNITS**.
 - Bypass the CAL OUT signal check within individual self-calibration routines.

Entering A Passcode

The passcode must be entered before pressing **CAL**. Press the following keys to enter a passcode.

FREQUENCY

-37 **HZ** or -2001 **HZ**

CAL

When SRVC appears in the lower-left corner of the display, the passcode has been accepted.

Understanding Instrument Correction Data

The firmware uses correction data to improve instrument performance by minimizing the effect of variations in hardware. There are two categories of correction data:

- Self-calibration correction factors.
- Service-calibration correction constants.

Most correction data can be displayed and modified with the softkey functions provided by **CAL**.

Self-Calibration Correction Factors

Self-calibration correction factors enhance instrument accuracy by adjusting DACs on the A7 Analog Interface assembly and by adding offsets to trace information. The correction factor data is stored in nonvolatile memory on the A16 Processor/Video assembly after pressing **CAL STORE**.

The correction-factor data is produced by the **CAL AMPTD** and **CAL FREQ** self-calibration routines. The horizontal and vertical display positions, adjusted by **CRT VERT POSITION** and **CRT HORZ POSITION**, are also retained.

Refer to the softkey descriptions in this section for further information.

Service-Calibration Correction Constants

The service-calibration correction constants enhance instrument performance by compensating for frequency-response variation and A12 Amplitude Control step-attenuation errors. The correction constants are unique for each instrument.

The correction constants for frequency response can be viewed, or modified, using **FLATNESS DATA**. Refer to the Frequency Response adjustment procedure in Chapter 2 for instructions on generating new correction constants.

The correction constants for step-attenuation errors on the A12 Amplitude Control assembly can be modified using **SET ATTN ERROR**. Refer to the Cal Attenuator adjustment procedure in Chapter 2 for instructions on generating new correction constants.

The frequency of the 10 MHz standard timebase, a room temperature crystal oscillator (RTXO), is controlled by a DAC located on the A25 Counter Lock assembly. Refer to the 10 MHz Reference (Standard) procedure in chapter 2 to adjust the timebase DAC using **CAL TIMEBASE**.

Analyzers equipped with a A24 Tracking Generator (Options 010 and 011) use two correction constants to improve the performance of the external automatic level control (ALC). Refer to “Entering External ALC Correction Constants (Option 010 and 011)” and “External ALC Error Correction (Option 010 and 011)” in Chapter 2 for details about the CALTGX slope and offset correction constants.

The initial service-calibration correction constants are stored by the factory in nonvolatile memory on the A16 assembly. After shipment, new correction constants must be manually generated whenever an adjustment or repair affects frequency response or A12 Amplitude Control step attenuation.

Refer to “After an Instrument Repair” in Chapter 6 for the specific assemblies that affect frequency response. Whenever the A16 Processor/Video assembly is replaced, new correction constants must also be generated, unless valid correction constants were saved prior to the instrument failure.

Note



The manual generation of the new service-calibration correction constants is a lengthy procedure. Avoid having to generate new correction constants manually by periodically recording the current correction constants. Refer to “Backing Up Analyzer Correction Constants” in Chapter 9.

Refer to the softkey descriptions in this section for specific information about the use and modification of the correction-constant data.

+10 V REF DETECTOR +10 V Reference Detector

DESCRIPTION Displays the output of the +10 V reference from the A7 Analog Interface assembly as a horizontal line along the top graticule.

Refer to “A7 Analog Interface Assembly” in Chapter 9 for additional troubleshooting information.

**RELATED
SOFTKEYS** **-10 V REF DETECTOR**

-10 V REF DETECTOR -10 V Reference Detector

DESCRIPTION Displays the output of the -10 V reference from the A7 Analog Interface assembly as horizontal line at the bottom graticule.

Refer to “A7 Analog Interface Assembly” in Chapter 9 for additional troubleshooting information.

**RELATED
SOFTKEYS** **+10 V REF DETECTOR**

2v REF DETECTOR 2 V Reference Detector

DESCRIPTION Displays the output of the 2 V reference produced on the A16 Processor/Video assembly as a horizontal line at the top graticule. If the line is at the top graticule, the main ADC is adjusted correctly.

This routine uses the 2 V reference at the input MUX on the A16 assembly. Refer to Foldout 6-2, IF/Control Overall Block Diagram, for the location of the input MUX.

Note



During **(PRESET)**, The analog-ground and 2 V reference are used to calibrate the main ADC. The analog ground and 2 V reference at the input MUX are used during calibration. If either signal is out of range, the **ADC-GND FAIL** or **ADC-2V FAIL** error message is displayed.

**RELATED
SOFTKEYS** **CAL AMPTD**

ALC TEST Automatic Level Control TEST

Note



This function is available for instruments equipped with Option 010, 50 Ω Output Tracking Generator, and Option 011, 75 Ω Output Tracking Generator, only.

DESCRIPTION

ALC TEST breaks the leveling loop for the automatic level control in the tracking generator.

Refer to the Modular Offset and Gain adjustment procedures in Chapter 2 for information on the use of **ALC TEST**.

AUXA Auxiliary A

DESCRIPTION

Displays the voltage present at the AUX A connector, A7J7, on the A7 Analog Interface assembly. At present the AUX A function is not used and no connection is made to A7J7. The AUX A input to the A16 Processor/Video assembly floats to a high positive voltage. When **AUX A** is selected, a horizontal line above the top graticule line is displayed.

AUXB Auxiliary B

DESCRIPTION

Displays the voltage level at an unused input to the Test Point MUX circuitry located on the A7 Analog Interface Assembly. The AUX B input to the A16 Processor/Video Assembly floats to a high positive voltage. When **AUX B** is selected a horizontal line, above the top graticule line, is displayed.

BINARY SPAN Binary Span

DESCRIPTION

Displays the output of the Span DAC on the A7 Analog Interface Assembly. A ramp is displayed from the upper left corner to the lower right corner of the display.

The instrument span must be set manually before enabling **BINARY SPAN**.

The slope of the ramp increases within each of the following span ranges:

- 0 Hz to 170 kHz
 - >170 kHz to 1.7 MHz
 - >1.7 MHz to 10 MHz
-

- >10 MHz to 170 MHz
- >170 MHz to 1.8 GHz

Refer to Chapter 7 for further troubleshooting information.

RELATED
SOFTKEYS

MAIN SPAN **FM SPAN**

CAL Calibration Key

DESCRIPTION **CAL** provides access to the softkeys for the self-calibration, service-diagnostics, and service-calibration functions. A passcode is required for access to specific softkeys.

RELATED SOFTKEYS Refer to Figure 10-1 at the beginning of this chapter for the softkeys that are available after pressing **CAL**.

CAL AMPTD Calibrate Amplitude

DESCRIPTION

Note



If both **CAL FREQ** and **CAL AMPTD** self-calibration routines are required, perform the **CAL FREQ** routine first.

The **CAL AMPTD** softkey initiates an amplitude self-calibration routine. Connect CAL OUT to the analyzer input before pressing **CAL AMPTD**.

During the **CAL AMPTD** self-calibration routine, messages are sequentially displayed, indicating a specific calibration activity. Each calibration performed by **CAL AMPTD** is described below.

- While **CAL: AMPTD** is displayed, the following calibrations are performed:
 - The amplitude error of each resolution bandwidth is corrected using the 3 kHz resolution bandwidth as the amplitude reference. Each amplitude error is then stored as a calibration factor.
 - The center frequency error of each bandwidth is corrected.
 - The top-screen reference level is calibrated using the amplitude of the CAL OUT signal as a reference.
 1. The amplitude of the detected 21.4 MHz IF signal is measured on the A16 Processor/Video assembly.
 2. The Reference-Level-Calibration DAC on the A7 Analog Interface assembly adjusts the gain of the IF Calibration Amplifier on the

A9 Third Converter assembly to correct the amplitude measured on the A16 assembly.

3. After the A7 DAC adjusts the A9 output, fine amplitude corrections are made with a digital offset of the video signal on the A16 assembly.

4. The A7 DAC value and video offset are stored as correction factors on the A16 assembly.

■ While **CAL: 3dB BW** is displayed, the following calibrations are performed:

□ The 3 dB and 6 dB EMI resolution bandwidths are measured.

□ DACs on the A7 Analog Interface assembly adjust the bandwidth of the LC and crystal filters on the A11 and A13 Bandwidth Filter assemblies.

□ The DAC bandwidth correction factors are stored on the A16 Processor/Video assembly.

■ While **CAL: ATTEN** is displayed, the following calibrations are performed:

□ The amplitude error of the 10 dB step gains on the A12 Amplitude Control assembly and the 10 dB linear gains on the A14 Log Amplifier/Detector assembly are corrected.

The 10 dB step gain on the A12 assembly is the amplitude reference.

Step-gain and linear-gain errors are corrected with digital offsets of the video signal on the A16 assembly.

The video offsets are stored as correction factors.

□ Amplitude errors for the A3 Input Attenuator are corrected.

The 10 dB step attenuator is the amplitude reference.

Input attenuator errors are corrected with digital offsets of the video signal on the A16 assembly.

The attenuator offsets are stored as correction factors.

■ While **CAL: LOG AMP** is displayed, the following calibrations are performed:

□ The log fidelity is measured in 1 dB steps.

□ Errors are corrected with digital offsets of the video signal on the A16 assembly.

□ The video offsets are stored as correction factors.

If a failure occurs during this calibration routine, an error message is displayed. Refer to Chapter 11 for the description of displayed error messages.

Note

Be sure to press **CAL STORE** after running the **CAL AMPTD** routine.



**RELATED
SOFTKEYS**

DISPLAY CAL DATA

CAL FREQ

CAL FREQ & AMPTD

CAL FETCH

CAL STORE

CORRECT ON OFF

CAL FETCH Calibration Fetch**DESCRIPTION**

CAL FETCH retrieves the self-calibration correction factors from the area of memory that retains data when the analyzer is turned off and places it in working (volatile) RAM memory.

Caution

Pressing **CAL FETCH** clears the correction-data-error flag and can permit erroneous data to be stored. Use **CAL FETCH** only for troubleshooting.

**RELATED
SOFTKEYS**

CAL AMPTD

CAL FREQ

CAL FREQ & AMPTD

CAL STORE

CAL FREQ Calibrate Frequency

DESCRIPTION **CAL FREQ** initiates the frequency self-calibration routine. Connect CAL OUT to the analyzer input before initiating **CAL FREQ**.

Note It is normal for the FREQ UNCAL error message to appear briefly during **CAL FREQ**.



During the **CAL FREQ** self-calibration routine, messages are sequentially displayed, indicating a specific calibration activity. Each function performed by **CAL FREQ** is described below.

- Before the calibration routine starts, an instrument setup check is performed.

The CAL OUT signal must be within 300 MHz \pm 50 MHz and greater than or equal to -45 dBm to pass the setup check. If the CAL OUT signal is not present, the routine stops.

If the **DEFAULT CAL DATA** correction factors are in use, a frequency offset may occur that prevents the CAL OUT signal from being found. If desired, the instrument setup check can be bypassed. Enter the -37 Hz passcode before pressing **CAL** and **CAL FREQ**.

Refer to the CAL SIGNAL NOT FOUND error message description in Chapter 11 for more information.

- While CAL : SWEEP is displayed:
 - The sweep ramp is calibrated.
 - The values are stored as correction factors.
- While CAL : FREQ is displayed:
 - Harmonics of the CAL OUT signal are used to adjust the start and stop end-points for the A6 YTO.
 - The end-point values are stored as correction factors.
- While CAL : SPAN is displayed:
 - The main-coil sweep sensitivity and span attenuator are adjusted for LO spans greater than 10 MHz.
 - The adjustment routine checks for three displayed signals: 0 Hz, 300 MHz, and 600 MHz. The test passes if all three signals are found within a 750 MHz span.
- FM DAC Error Check:
 - The analyzer changes the center frequency setting to move the displayed signal four divisions.
 - if the signal moves within \pm 1.25 divisions of the expected display position, the FM coil drive is within tolerance.

- Instruments equipped with Option 102, AM/FM Speaker and TV Sync Trigger, display the message CAL: FM GAIN + OFFSET. While CAL: FM GAIN + OFFSET is displayed:
 - The FM offset DAC is adjusted to position the signal at center-screen. This calibrates the center screen-position so that it represents an unmodulated signal.
 - The top to bottom screen deviation of a demodulated FM signal, referenced to center screen, is calibrated for a specific frequency deviation.
 - A demodulated signal with a 100 kHz frequency deviation is simulated using the CAL OUT signal and a center frequency step of 100 kHz.
 - The center frequency is stepped up and the FM gain is adjusted to position the signal at top screen.
 - The center frequency is stepped down and the FM gain is adjusted to position the signal at bottom-screen.

If a failure occurs during this calibration routine, an error message is displayed. Refer to Chapter 11, Analyzer Messages, for the description of displayed error messages.

Note

Be sure to press **CAL STORE** after running the **CAL FREQ** routine.



**RELATED
SOFTKEYS**

CAL AMPTD

CAL FREQ & AMPTD

CAL FETCH

CAL STORE

DISPLAY CAL DATA

FM GAIN

FM OFFSET

CAL FREQ & AMPTD Calibrate Frequency and Amplitude

DESCRIPTION **CAL FREQ & AMPTD** initiates both the frequency and amplitude self-calibration routines. Connect CAL OUT to the analyzer input before initiating **CAL FREQ & AMPTD**.

Note Be sure to press **CAL STORE** after running the **CAL FREQ & AMPTD** routine.



**RELATED
SOFTKEYS**

CAL AMPTD

CAL FREQ

CAL FETCH

CAL STORE

CAL STORE Calibration Store

DESCRIPTION **CAL STORE** copies the correction factors from working RAM to the area of memory on the A16 Processor/Video assembly that retains data after the analyzer is turned off.

Caution If the correction factors are not stored, they will be lost when the analyzer is turned off.



**RELATED
SOFTKEYS**

CAL AMPTD

CAL FREQ

CAL FREQ & AMPTD

CAL FETCH

CAL TIMEBASE

CRT VERT POSITION

CRT HORZ POSITION

CAL TRK GEN

CAL TIMEBASE Calibrate Timebase

DESCRIPTION

Note



Instruments equipped with Option 004, Precision Frequency Reference, do not use this softkey function.

Use this softkey to change the setting of the 10 MHz reference (standard timebase) DAC on the A25 Counter Lock assembly.

The -2001 Hz passcode must be entered to activate this function.

The DAC controls the frequency of the internal 10 MHz oscillator over a frequency range of approximately 65 ppm. At a 10 MHz nominal frequency, one DAC count provides a resolution of less than 0.5 ppm. The DAC has an adjustment range of 0 to 255.

Refer to the 10 MHz Frequency Reference Adjustment procedure in Chapter 2 for further information on the use of **CAL TIMEBASE**.

Note



Be sure to press **CAL STORE** to store the time base DAC setting.

RELATED SOFTKEYS

CAL STORE

DEFAULT CAL DATA

VERIFY TIMEBASE

DISPLAY CAL DATA

CAL TRK GEN Calibrate Tracking Generator

Note



This function is available for instruments equipped with Option 010, 50Ω Output Tracking Generator, and Option 011, 75Ω Output Tracking Generator, only.

DESCRIPTION

CAL TRK GEN initiates the tracking generator self-calibration routine. Refer to Foldout 6-3, HP 8591A Tracking Generator Block Diagram, for an overview of tracking generator operation.

Note



Perform the **CAL AMPTD** and **CAL FREQ** self-calibration routines before using **CAL TRK GEN**.

Connect the RF OUT from the tracking generator to the RF INPUT using the CAL cable. Refer to Table 1-4 for the part number of the 50Ω CAL cable or 75Ω CAL cable.

Each function performed by the **CAL TRK GEN** self-calibration routine is described below.

- Before the calibration routine starts, an instrument setup check is performed.

The displayed signal must be above the first division from bottom screen. If not, the error message **TG SIGNAL NOT FOUND** is displayed. Check the connection of the CAL cable that connects the RF OUT connector to the RF INPUT connector.

- The output of the tracking generator is peaked. The 707 MHz tracking oscillator is adjusted for a maximum displayed signal.
- The amplitude of the output from the tracking generator (RF OUT) is calibrated.

The RF OUT is calibrated to match the amplitude calibration set by **CAL AMPTD**. With the reference level set for 0 dBm, the output of the RF OUT is adjusted for -10 dBm.

- The linearity of the RF OUT is adjusted over a power range of -15 dBm to -5 dBm.
- The power sweep is calibrated over a 15 dB range, sweeping from a low to high power setting.

A positive-going ramp and a horizontal trace are displayed. The swept ramp is the actual power sweep. The horizontal trace represents the linearity error of the power sweep.

As the power sweep is calibrated, the trace straightens into a horizontal line.

- The analyzer flatness is corrected over the full frequency range of the tracking generator.

The tracking generator output flatness is leveled as it sweeps over a frequency range of 1.5 GHz. The frequency response straightens within the first division at top screen.

- The amplitude of RF OUT is recalibrated at -10 dBm.

This final calibration corrects for any change in the RF OUT amplitude that was caused by the calibration routines performed after the initial RF OUT calibration.

If a tracking generator calibration routine fails, no error message is displayed.

When the **CAL TRK GEN** routine is complete, press **CAL STORE** to store the tracking generator correction factors in nonvolatile memory. The correction factors cannot be viewed.

Caution

If the correction factors are not stored, they will be lost when the analyzer is turned off.

RELATED
SOFTKEYS

CAL AMPTD

CAL FREQ

CAL STORE

COARSE TUNE DAC Coarse Tune DAC

DESCRIPTION

Displays the analog output of the YTO coarse-tune DAC located on the A7 Analog Interface assembly. The mnemonic for the control voltage is C_TUNE.

When **COARSE TUNE DAC** is selected, a horizontal line is displayed in the lower four divisions of the screen. The line represents the 0 V to -10 V DAC output voltage. When the YTO DAC voltage becomes more negative, the YTO frequency is increased, and the displayed line moves lower on screen.

Refer to Chapter 7 for additional LO troubleshooting information.

RELATED
SOFTKEYS

FINE TUNE DAC

CONF TEST Confidence Test

DESCRIPTION

This test automates an informal, visual test that quickly checks the basic operation of six IF and video functions. Each test checks for a simple change in signal position when the analyzer settings for the function under test are changed. Instrument specifications are not used as test limits.

If a test failure occurs, the error message **CONF TEST FAIL** is displayed along with error messages for the failed test. Each check and its corresponding error message are described below.

1. **Positive-Peak Detector Check** and error message **POS-PK FAIL**.

The test checks switching for the positive-peak detector. The noise-floor level should increase when switching from the sample detector to the positive-peak detector.

The test detects the noise-floor increase by statistically comparing the level of the noise floor for the positive-peak detector to the level for the sample detector.

If the error message POS-PK FAIL is displayed, the mean of the data from the positive-peak detector is less than the mean from the sample detector data.

2. Sample-Detector Check and error message SAMPLE FAIL.

The test checks switching for the sample detector. The peak-to-peak amplitude of the noise floor for the sample detector should be wider than the noise floor for the positive-peak detector.

The test detects the wider noise floor by statistically comparing the peak-to-peak amplitude of the noise floor for the sample detector to the noise floor for the positive-peak detector.

If the error message SAMPLE FAIL is displayed, the standard deviation of the data from the sample detector is less than the standard deviation of the data from the positive-peak detector.

3. Video-Bandwidth Check and error message VID-BW FAIL.

The test checks video-bandwidth switching by stepping the analyzer from the widest video bandwidth setting to the narrowest. The test detects switching activity by comparing the peak-to-peak amplitude of the noise floor for each video bandwidth.

If the error message VID-BW FAIL is displayed, the peak-to-peak amplitude did not decrease when a narrower video bandwidth was switched on.

4. Resolution-Bandwidth Noise Check and error message RES-BW NOISE FAIL.

The test makes a relative comparison of noise-floor amplitude for each resolution bandwidth.

The test compares the noise-floor amplitude of each resolution bandwidth to that of the next, narrower resolution bandwidth.

If the error message RES-BW NOISE FAIL is displayed, a decrease in the noise floor amplitude did not occur when the test switched to the narrower bandwidth. The test displays the narrower bandwidth as the test failure and displays all bandwidths that fail.

5. A12 Step-Gain Check and error message STEP GAIN/ATTEN FAIL.

The test checks the switching of the step gains on the A12 Amplitude Control assembly. The test does not check step-gain accuracy. The test steps the reference level from -60 dBm to $+30$ dBm, in 10 dB increments, with the input attenuator set to 60 dB.

The test detects step-gain switching activity by comparing the noise-floor level for each 10 dB step gain.

If the error message STEP GAIN/ATTEN FAIL is displayed, the displayed noise level did not decrease when the reference level was changed.

6. 3 dB Resolution-Bandwidth Check and error message RES-BW SHAPE FAIL.

The test checks the 3 dB resolution bandwidth of the 10 kHz, 30 kHz, 100 kHz, 300 kHz, 1 MHz, and 3 MHz bandwidth filters.

If the error message RES-BW SHAPE FAIL is displayed, the bandwidths that are displayed with the error message are not within $\pm 20\%$. Resolution bandwidth accuracy is a characteristic, not a specification. Check the failed bandwidths manually using the **3 dB POINTS** softkey.

CORRECT ON OFF Correction On/Off

DESCRIPTION

The analyzer corrects for variations in hardware performance in two ways:

- Digital offsets of the video signal on the A16 Processor/Video assembly.
- Adjustment of the DAC control voltages provided by the A7 Analog Interface assembly.

The **CORRECT ON OFF** function affects only the digital offsets of the video signal.

The uncorrected performance of individual assemblies can be checked by disabling the correction data. The following corrections are disabled when **CORRECT OFF** is selected:

- Step-gain-error correction factors. New correction factors are produced by the **CAL AMPTD** self-calibration routine.
- Bandwidth-amplitude correction factors. New correction factors are produced by the **CAL AMPTD** self-calibration routine.
- Log-scale-fidelity correction factors. New correction factors are produced by the **CAL AMPTD** self-calibration routine.
- Input-attenuator correction factors. New correction factors are produced by the **CAL AMPTD** self-calibration routine.
- Bandwidth-centering correction factors. New correction factors are produced by the **CAL AMPTD** self-calibration routine.
- Flatness-correction constants. The original constants are placed in the analyzer memory at the factory. New constants must be generated manually using the Frequency Response adjustment procedure in Chapter 2.
- A12 Amplitude Control step-attenuator-correction constants. The original constants are placed in the analyzer memory at the factory. New constants must be generated manually using the Cal Attenuator Error Correction procedure in Chapter 2.

The **CORRECT ON OFF** function does not affect the following DAC adjustments:

- Resolution bandwidth corrections.

- Reference level amplitude correction.
- YTO frequency and span corrections.
- 10 MHz reference (standard timebase) DAC correction.

Refer to the **CAL AMPTD** description in this chapter and “Locating RF/IF/LO Problems” in Chapter 6 when the displayed signal exhibits symptoms of either low or high gain.

RELATED
SOFTKEYS

CAL AMPTD

CAL FREQ

CAL STORE

DEFAULT CAL DATA

CRT HORZ POSITION **CRT Horizontal Position**

DESCRIPTION

The softkey provides an adjustment for the horizontal display position.

- Press **CRT HORZ POSITION** and use the A1A2 knob on the front panel to adjust the display.

If the A1A2 knob is turned too far clockwise, the display will become distorted. This is a normal response; simply readjust the knob counterclockwise.

- If desired, press **CAL STORE** to retain the new display position.

RELATED
SOFTKEYS

CRT VERT POSITION

CAL STORE

DEFAULT CAL DATA

CRT VERT POSITION CRT Vertical Position

- DESCRIPTION The softkey provides the following adjustment for the vertical display position:
- Press **CRT VERT POSITION** and use the A1A2 knob on the front panel to adjust the display.
 - If desired, press **CAL STORE** to retain the new display position.

RELATED
SOFTKEYS

CRT HORZ POSITION

CAL STORE

DEFAULT CAL DATA

DACS DACs

- DESCRIPTION Use **DACS** to change the DAC numbers of the span, YTO coarse-tune, YTO fine-tune, and YTO FM tune DACs located on the A7 Analog Interface assembly. The following terminator keys are used to select the desired DAC.

| YTO Adjustment DAC Selection | Terminator Key |
|------------------------------|----------------|
| Span DAC | GHz |
| YTO coarse-tune DAC | MHz |
| YTO fine-tune DAC | kHz |
| YTO FM tune DAC | Hz |

Press the following keys to select a YTO adjustment DAC:

SGL SWP
CAL
MORE 1 of 3
MORE 2 of 3
SERVICE DIAG
DACS

Press the terminator key for the desired DAC.

Each DAC may be set to any integer between 0 and 4095 using the A1A2 knob on the front panel. Use the **↑** and **↓** keys to make large changes in the DAC settings:

- The **↑** key increments the DAC setting in an even binary progression of 0, 2, 4, 8, 16, ... , 4096.
- The **↓** key decrements the DAC setting in an odd binary progression of 4095, 2047, 1023, 511, ... , 1.

Refer to Chapter 7 for additional LO troubleshooting information.

RELATED
SOFTKEYS

COARSE TUNE DAC

FINE TUNE DAC

X FINE TUNE DAC

FM SPAN

MAIN SPAN

DEFAULT CAL DATA Default Calibration Data

DESCRIPTION

The current correction-factor data is replaced in nonvolatile memory by the factory-loaded default calibration data when **DEFAULT CAL DATA** is used. The default data can be used only if a passcode, either -37 Hz or -2001 Hz, has been entered.

There are two types of correction factors that are changed when the default data is used:

- Video offsets. They are used on the A16 Processor/Video assembly.
- DAC settings. They are used on A7 Analog Interface assembly.

After entering the passcode and pressing **DEFAULT CAL DATA**, the default data can be viewed using **DISPLAY CAL DATA**. Figure 10-2 provides the screen display of the default-calibration data.

| MISC-FREQ | RL-VERN | ERR | BW-AMP | LC-XTAL | SGAIN | RFATN |
|-------------|---------|-------|--------|---------|-------------|-------|
| 300000000 | 200 | X.XX* | 0.00 | 0 255 | 0.00 | 0.00 |
| 250000000 | 200 | X.XX | 0.00 | 0 255 | 0.00 | 0.00 |
| 519000000 | 200 | X.XX | 0.00 | 0 255 | 0.00 | 0.00 |
| 207250000 | 200 | X.XX | 0.00 | 0 255 | 0.00 | 0.00 |
| 0.000201900 | 200 | X.XX | 0.00 | 0 91 | 0.00 | 0.00 |
| 0.000002030 | 200 | 0.00 | 0.00 | 0 255 | 0.00 | 0.00 |
| 10320000000 | 200 | 0.00 | 0.00 | 0 214 | 0.00 | 0.00 |
| 1.000000000 | 200 | 0.00 | 0.00 | 0 158 | 0.00 | 0.00 |
| 0 | 200 | 0.00 | 0.00 | 0 91 | 0.00 | |
| 0 | 200 | 0.00 | 0.00 | 0 1 | 0.00 | |
| 0.125000000 | 200 | 0.00 | 0.00 | 0 255 | 1.785329103 | |
| 0 | 200 | 0.00 | 0.00 | 96 255 | 1.812912941 | |
| 0 | 200 | 0.00 | 0.00 | 165 255 | 1.869230986 | |
| 200 | 200 | 0.00 | 0.00 | 218 255 | 1.602058887 | |
| 500 | 200 | 0.00 | 0.00 | 255 255 | 1.681241035 | |
| 65 | X.XX* | 0.00 | 0.00 | 0 255 | 1.924278021 | |

* The values indicated are not default data and are different for each analyzer.

Figure 10-2. Default Calibration Data

The following A16 video offsets are reset to zero when **DEFAULT CAL DATA** is used. Refer to Figure 10-2.

- Amplitude correction factors. Refer to the “ERR” column.

When the analyzer is calibrated using **CAL AMPTD**, the correction factors fine-tune the amplitude calibration of the reference level at top screen.

Note



The top five entries in the “ERR” column are correction constants for the A12 Amplitude Control step-attenuators. They are not reset and are different for each instrument.

- Bandwidth amplitude correction factors. Refer to the “BW-AMP” column.
- A12 amplitude control step-gain correction factors. Refer to the “SGAINS” column.
- Input attenuator correction factors. Refer to the “RFATN” column.

Note



This note applies to instruments that are not equipped with Option 004, Precision Frequency Reference. The firmware revisions 11.7.89 and 18.7.89 cause the DAC setting held in memory for **CAL TIMEBASE** to be lost when **DEFAULT CAL DATA** is used. Be sure to record the DAC setting before using **DEFAULT CAL DATA**.

The following DACs are reset to predetermined values when **DEFAULT CAL DATA** is used. Refer to Figure 10-2.

- Amplitude correction factors for the Reference Level Vernier. Refer to the “RL-VENR” column.

When the analyzer is calibrated using **CAL AMPTD**, the correction factors coarse-tune the amplitude calibration of the reference level at top screen.

- Bandwidth correction factors. Refer to the “LC-XTAL” column.
- Correction factors for A6 YTO span error. Refer to “FM COILSENS” and “MAIN COILSENS” in the “MISC-FREQ” column.

Default correction values for span error can offset the frequency of a displayed signal.

- Frequency correction factors for the A6 YTO. Refer to “CALFRQ” and “ZEROFREQ” in the “MISC-FREQ” column.

Default YTO correction values can offset the frequency of a displayed signal.

- Frequency correction factor for the 10 MHz Frequency Reference (standard timebase). Refer to the last entry of the “RL-VENR” column. Refer to the **CAL TIMEBASE** description for more information.

Refer to the **DISPLAY CAL DATA** description for more information about the display of correction data.

RELATED
SOFTKEYS

DISPLAY CAL DATA

CAL FREQ

CAL AMPTD

CAL TIMEBASE

CORRECT ON OFF

DISPLAY CAL DATA Display Calibration Data

DESCRIPTION

Displays the current correction-factor data generated by the **CAL FREQ** and **CAL AMPTD** self-calibration routines. Refer to Figure 10-3 for the location of each data column displayed when using **DISPLAY CAL DATA**. Press **PRESET** to exit the data display.

| MISC-FREQ | RL-VENR | ERR | BW-AMP | LC-XTAL | SGAIN | RFATN |
|---------------|----------|-------|--------|---------|-------------|-------|
| CALFRO | 200 | -1dB | 0.00 | 0 255 | 0 | 0dB |
| ZEROFRO | 200 | -2dB | 0.00 | 0 255 | 0.00 | 10dB |
| FASTSWP | 200 | -4dB | 0.00 | 0 255 | 20 | 20dB |
| SLOWSWP | 200 | -8dB | 0.00 | 0 255 | 30 | 30dB |
| FM SWPSENS | 200 | -16dB | 0.00 | 0 255 | 40 | 40dB |
| MAIN SWPSENS | | | | 0 | 50 | 50dB |
| MEDSWP | | | | 0 | 10 | 60dB |
| FM COILSENS | | | | 0 | 20 | |
| 0 | | | | 0 | 30 | |
| 0 | | | | 0 | 40 | |
| MAIN COILSENS | 200 | 0.00 | 0.00 | 0 | 1.785329103 | |
| 0 | 200 | 0.00 | 0.00 | 255 | 1.812912941 | |
| PKDETOFS | 200 | 0.00 | 0.00 | 255 | 1.869230986 | |
| 1 | 200 | 0.00 | 0.00 | 255 | 1.602058887 | |
| 1 | 200 | 0.00 | 0.00 | 255 | 1.681241035 | |
| 65 | 200 | 0.00 | 0.00 | 255 | 1.924278021 | |
| | RTXO DAC | | | | | |

Labels for columns in Figure 10-3:

- MISC-FREQ:** CALFRO, ZEROFRO, FASTSWP, SLOWSWP, FM SWPSENS, MAIN SWPSENS, MEDSWP, FM COILSENS, 0, 0, MAIN COILSENS, 0, PKDETOFS, 1, 1, 65
- RL-VENR:** 200, 200, 200, 200, 200, (blank), (blank), (blank), (blank), (blank), 200, 200, 200, 200, 200, 200, 200, RTXO DAC
- ERR:** -1dB, -2dB, -4dB, -8dB, -16dB, (blank), (blank), (blank), (blank), (blank), 0.00, 0.00, 0.00, 0.00, 0.00, 0.00, 0.00
- BW-AMP:** 0.00, 0.00, 0.00, 0.00, 0.00, (blank), (blank), (blank), (blank), (blank), -100kHz, -300kHz, -1MHz, -3MHz, -5MHz, -120kHz
- LC-XTAL:** 0 255, 0 255, 0 255, 0 255, 0 255, (blank), (blank), (blank), (blank), (blank), 255, 255, 255, 255, 255, 255
- SGAIN:** 0, 0.00, 20, 30, 40, 50, 10, 20, 30, 40, 1.785329103, 1.812912941, 1.869230986, 1.602058887, 1.681241035, 1.924278021
- RFATN:** 0dB, 10dB, 20dB, 30dB, 40dB, 50dB, 60dB

Figure 10-3. Calibration Data Map

The following text describes each column of correction data illustrated in Figure 10-3. The sections of Figure 10-3 that contain numbers retain data that is the same for all analyzers; the data is stored in memory at the factory and cannot be changed.

- **MISC FREQ.** These miscellaneous frequency correction values correct for variations in instrument hardware performance.
- **RL-VENR.** The reference-level-vernier error corrections are DAC values that calibrate the reference level at top-screen during the **CAL AMPTD** self-calibration routine.

The first five entries are fixed constants. The second five entries provide a coarse gain-adjustment of the A9 Third Converter assembly. Only one DAC value is produced by the calibration routine and is duplicated for all five entries.

The A7 Analog Interface assembly uses the DAC value to adjust the gain of the A9 assembly. The DAC adjustment range is from 0 to 255. The higher the DAC value, the greater the gain on the A9 assembly. Refer to the **CAL AMPTD** softkey description for more information.

- **RTXO DAC.** The DAC value adjusts the 10 MHz frequency reference on the A25 Counter Lock assembly. Refer to the 10 MHz Reference (Standard) adjustment procedure in Chapter 2.
- **ERR.** These error corrections are mathematical offsets of the digitized video signal on the A16 Processor/Video assembly.

The first five entries in the “ERR” column are correction constants that correct amplitude errors for the calibration attenuators on the A12 Amplitude Control assembly. Currently, the entry for the 16 dB attenuator is not used.

The calibration attenuators on the A12 Amplitude Control assembly are the amplitude reference for the **CAL AMPTD** self-calibration routine. The five constants are stored in nonvolatile memory initially at the factory. The constants can be retrieved from, and restored to, nonvolatile memory using the procedures in “Backing-Up Analyzer Correction Constants” in Chapter 9. When required, new constants are produced using the Cal Attenuator adjustment procedures in Chapter 2.

Refer to the **SET ATTN** softkey description for more information about the calibration attenuators on the A12 assembly.

The second five entries in the “ERR” column are one correction factor that provides a fine adjustment of the reference-level during the **CAL AMPTD** self-calibration routine. The calibration routine produces one video offset and stores it for all five entries.

The video offset is used to make a fine reference-level adjustment after a coarse reference-level adjustment is done using the DAC correction values from “RL-VENR”.

- **BW-AMP.** The bandwidth amplitude corrections are mathematical offsets of the digitized video signal on the A16 Processor/Video assembly. Refer to the **CAL AMPTD** softkey description for more information.
- **LC-XTAL.** The A7 Analog Interface assembly uses these DAC values to adjust the bandwidths of the 21.4 MHz crystal and LC bandwidth filters on the A11 and A13 Bandwidth Filter assemblies. The **CAL AMPTD** self-calibration routine produces DAC values that adjust each bandwidth to within $\pm 20\%$.

The 9 kHz and 120 kHz entries are for the 6 dB EMI resolution bandwidths. All other entries are for the 3 dB resolution bandwidths.

Refer to the **CAL AMPTD** softkey description for more information.

- **SGAIN.** The step-gain and linear-gain corrections are mathematical offsets of the digitized video signal on the A16 Processor/Video assembly. The first six entries in the “SGAIN” column are for the 10 dB step gains on the A12 Amplitude Control assembly. The **CAL AMPTD** self-calibration routine uses the 10 dB step gain as an amplitude reference while calibrating the step gains.

The last four entries in the “SGAIN” column are for the 10 dB linear gains on the A14 Log Amplifier assembly.

Refer to the **CAL AMPTD** softkey description for more information about the calibration of the step-gain and linear-gain stages. Refer to “IF Section Gain Control” in Chapter 8 to identify the gain stages that are in use for a given reference-level setting.

- **RFATN**. The input attenuator corrections are mathematical offsets of the digitized video signal on the A16 Processor/Video assembly.

The 10 dB attenuator step is the amplitude reference used by the **CAL AMPTD** self-calibration routine while calibrating the input attenuator. Refer to the **CAL AMPTD** softkey description for more information about the calibration of the input attenuators.

Refer to “Control of the A3 Input Attenuator” in Chapter 7 to identify the attenuators that are in use for a given input attenuation setting.

RELATED
SOFTKEYS

CAL FREQ

CAL AMPTD

DEFAULT CAL DATA

CAL STORE

CAL FETCH

SET ATTN ERROR

CAL TIMEBASE

DROOP Droop

DESCRIPTION

Droop disables the reset of the peak detector on the A16 Processor/Video assembly after each analog-to digital conversion. When an impulse signal is applied, the decrease, or droop, in the peak-detector output is visible. The peak detector will charge up to the peak value of the input signal and then its amplitude will decrease over time.

Refer to the “Locating an RF/LO/IF or Video Problem” in Chapter 6 for additional troubleshooting information about the peak detector.

RELATED
SOFTKEYS

CONF TEST

EDIT FLATNESS Edit Flatness

DESCRIPTION

Note



To safeguard the current flatness-correction constants, refer to “Backing Up Analyzer Correction Constants” in Chapter 9 before using this function.

The flatness-correction constants can be viewed or modified using **EDIT FLATNESS**.

- To view the flatness-correction constants, do not enter the passcode before proceeding to **EDIT FLATNESS**.
- To edit the flatness data, enter the –2001 Hz passcode, press **CAL** and proceed to **EDIT FLATNESS**.
 1. After pressing **EDIT FLATNESS**, the **STORE FLATNESS** softkey appears, and the flatness data is ready for editing.
 2. Use the A1A2 knob, the **↑** key, or the **↓** key to move along the frequency range of the analyzer.
 3. Enter the amplitude offset for the desired frequency point and terminate the entry with **-dBm** or **+dBm**.

Caution



Avoid pressing the **INIT FLT** softkey when pressing the **STORE FLATNESS** softkey. All the flatness-correction constants will be lost if **INIT FLT** is pressed accidentally.

4. Store the flatness constants by pressing **STORE FLATNESS**; the new correction constants are stored and an instrument preset is performed.

- Exit the routine at any time by pressing **EXIT**: no changes are made to the existing correction constants and an instrument preset is performed.

Refer to the Frequency Response adjustment procedures in Chapter 2 for complete instructions related to the flatness-correction constants.

RELATED SOFTKEYS

INIT FLT

STORE FLATNESS

FLATNESS DATA

EXIT

EXECUTE TITLE Execute Title

DESCRIPTION Use **EXECUTE TITLE** to execute remote programming commands that have been entered from the front-panel using **CHANGE TITLE**. Refer to the *HP 8591A/8593A Installation, Verification, and Operation Manual* for more information about **CHANGE TITLE**.

**RELATED
SOFTKEYS** **CHANGE TITLE**

EXIT Exit

DESCRIPTION Use **EXIT** to withdraw from a softkey function. No changes are made within the function and an instrument preset is performed.

**RELATED
SOFTKEYS** **EDIT FLATNESS**

FINE TUNE DAC Fine Tune DAC

DESCRIPTION Displays the output of the YTO fine-tune DAC produced on the A7 Analog Interface assembly.


When **FINE TUNE DAC** is selected, a horizontal line is displayed in the lower four divisions of the screen. The line represents the 0 V to -10 V DAC output voltage. When the YTO DAC voltage becomes more negative, the YTO frequency is increased, and the displayed line moves lower on-screen.

Refer to Chapter 7 for additional LO troubleshooting information.

**RELATED
SOFTKEYS** **COARSE TUNE DAC**

FLATNESS DATA Flatness Data

DESCRIPTION Provides access to the softkeys used for viewing or editing the flatness correction constants. The -2001 Hz passcode is required when editing the correction data.

Caution  Avoid pressing the **INIT FLT** softkey when pressing the **STORE FLATNESS** softkey. All the flatness-correction constants will be lost if **INIT FLT** is pressed accidentally.

**RELATED
SOFTKEYS**

- EDIT FLATNESS**
- STORE FLATNESS**
- INIT FLT**

FM COIL DRIVE FM Coil Drive

DESCRIPTION Displays the output of the FM Coil Driver produced on the A7 Analog Interface assembly. Perform the following steps to observe the output of the FM coil driver For the FM spans (LO spans less than or equal to 10 MHz):

1. Activate **SPAN** before pressing **CAL** to select the **FM COIL DRIVE** function.
2. Press **FM COIL DRIVE** to display a positive-going ramp.
3. Adjust the span setting while observing the displayed ramp. The slope of the ramp increases as the span is increased.

Due to quantization errors, the display appears flat for LO spans less than 500 kHz. For the main-coil spans (LO spans greater than 10 MHz) the display is a flat line.

Refer to Chapter 7 for additional LO troubleshooting information.

**RELATED
SOFTKEYS**

- FM SPAN**
- FINE TUNE DAC**
- X FINE TUNE DAC**

FM GAIN FM Gain

Note



This function is available for instruments equipped with Option 102, AM/FM Speaker and TV Sync Trigger, only.

DESCRIPTION

This softkey duplicates the functions of the **FM GAIN** key that is accessed using **AUX CTRL**. **FM GAIN** adjusts the top-to-bottom screen deviation range of a demodulated FM signal, referenced to center-screen. The **CAL FREQ** self-calibration routine calibrates the FM screen deviation and modulation offset.

Use **FM GAIN** to do a functional check of the demodulation circuitry. The CAL OUT signal can be used in place of a FM modulated signal source.

1. Connect the CAL OUT signal to the analyzer input and make the following instrument settings:

PRESET
FREQUENCY 300 MHz
CF STEP AUTO MAN (MAN) 500 kHz
SPAN 0 Hz
BW 5 **MHz**
AMPLITUDE -20 dBm

2. Press the following keys:

AUX CTRL
DEMOD
DEMOD ON OFF (ON)
DEMOD AM FM (FM)
FM GAIN

When **FM GAIN** is first enabled, it has a 100 kHz deviation from center-screen.

3. Set the maximum deviation from center screen by entering 500 kHz using the data keys, the A1A2 knob, or the **↑** and **↓** keys.
4. Simulate a 500 kHz modulated signal by pressing the following keys:

FREQUENCY
↑

If **FM GAIN** is functioning correctly, the displayed signal is deflected from center screen to bottom screen as the center frequency is stepped up 500 kHz from the original center frequency setting.

5. Press the **⇩** key twice. The displayed signal moves from bottom-screen to top-screen as the center frequency is stepped down 500 kHz from the original center frequency.

RELATED
SOFTKEYS

DEMOD

DEMOD AM FM

FM OFFSET

FM OFFSET FM Offset

Note



This function is available for instruments equipped with Option 102, AM/FM Speaker and TV Sync Trigger, only.

DESCRIPTION

Use **FM OFFSET** to adjust the horizontal trace for center-screen with no modulation on the carrier. This function is useful for adjusting the carrier offset when **FM GAIN** is set for a modulated signal with a small frequency deviation. The **CAL FREQ** self-calibration routine calibrates an initial center-screen offset.

Use **FM OFFSET** to do a functional check of the demodulation circuitry. The **CAL OUT** signal can be used in place of an unmodulated carrier signal.

1. Connect the **CAL OUT** signal to the analyzer input and make the following instrument settings:

PRESET

FREQUENCY 300 MHz

SPAN 0 Hz

BW 5 **MHz**

AMPLITUDE -20 dBm

2. Press the following keys:

AUX CTRL

DEMOD

DEMOD ON OFF (ON)

DEMOD AM FM (FM)

CAL

MORE 1 of 3

MORE 2 of 3

SERVICE DIAG

MORE 1

MORE 2

MORE 3

MORE 4

FM OFFSET

3. Adjust the position of the horizontal trace to center-screen using the A1A2 knob.
4. To calculate the actual frequency offset in kHz, multiply the displayed value by 300.

RELATED
SOFTKEYS

DEMODO

DEMODO AM FM

FM GAIN

FM SPAN FM Span

DESCRIPTION Displays the FM.SPAN signal from the Span Dividers on the A7 Analog Interface assembly.

Perform the following steps to observe the FM-SPAN signal for FM spans (LO spans less than or equal to 10 MHz):

1. Activate **SPAN** before pressing **CAL** to select the **FM SPAN** function.
2. Press **FM SPAN** to display a negative-going ramp.
3. Adjust the span setting while observing the displayed ramp. The slope of the ramp increases as the span is increased.

Due to quantization errors, the display appears flat for LO spans less than 500 kHz.

For the main-coil spans (LO spans greater than 10 MHz) the display is a flat line.

Refer to Chapter 7 additional LO troubleshooting information.

RELATED
SOFTKEYS

MAIN SPAN

FREQ DIAG Frequency Diagnostics

DESCRIPTION

Displays, in real-time, frequency diagnostic information for the LO section. Refer to Figure 10-4 for the location of each block of frequency data.

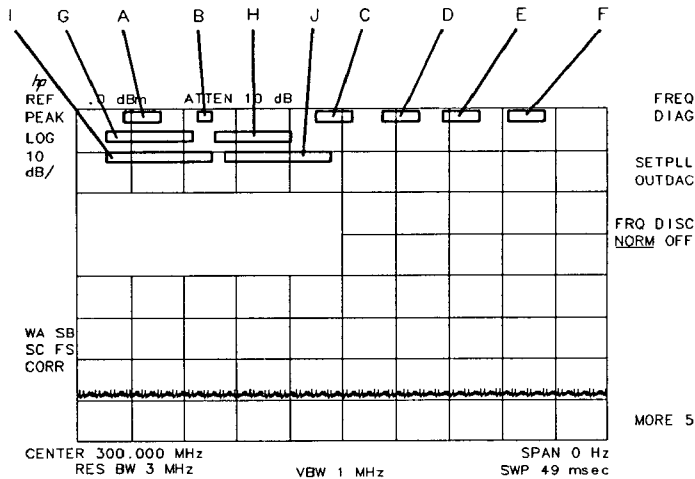


Figure 10-4. LO Frequency Diagnostic Data Display

- A The calculated coarse-tune DAC value.
- B The desired sampling-oscillator harmonic.
- C The error, in Hz, between the sampler IF frequency (H) and the actual frequency counted at the sampler IF.
- D The actual coarse-tune DAC value (0 to 4095).
- E The actual fine-tune DAC value (0 to 4095).
- F The actual extra-fine-tune DAC value (0 to 4095).
- G The sampling-oscillator frequency in Hz.
- H The sampler IF frequency in Hz.
- I Multiply this value by the main-coil sensitivity (J) to yield the FM coil sensitivity in bits/Hz.
- J The main-coil sensitivity in bits/Hz.

Refer to Chapter 7 for additional LO troubleshooting information.

RELATED
SOFTKEYS

DISPLAY CAL DATA

FRQ DISC NORM OFF Frequency Discriminator Normal/Off

DESCRIPTION Indicates the status of the frequency discriminator as a function of LO span.

- In LO spans less than or equal to 10 MHz, **NORM** should be underlined, indicating the discriminator is in use.
- In LO spans greater than 10 MHz, **OFF** should be underlined, indicating the discriminator is not in use.

GND REF DETECTOR Ground-Reference Detector

DESCRIPTION Displays the output of the analog-ground reference produced on the A16 Processor/Video assembly. A horizontal line at the bottom graticule line indicates that the ADC is adjusted correctly. The ground reference is produced on the A16 Processor/Video assembly.

The **CAL AMPTD** self-calibration routine uses the analog-ground reference to calibrate the bottom-screen level of the main ADC on the A16 Processor/Video assembly.

Note

During **PRESET** the analog-ground and +2 V signal are used to calibrate the main ADC. The analog ground and 2 V reference at the input MUX are used during calibration. If the signals are out of range, the ADC-GND FAIL or ADC-2V FAIL error messages are displayed.

**RELATED
SOFTKEYS**

CAL AMPTD

INIT FLT Initialize Flatness

DESCRIPTION

Note

To safeguard the current flatness-correction constants, refer to “Backing Up Analyzer Correction Constants” in Chapter 9 before using this function.

Prepares the analyzer memory for the entry of new flatness correction constants. The -2001 Hz passcode is required and must be entered before pressing **CAL**.

INIT FLT performs the following functions:

- Sets up the start frequency, stop frequency, and step size of the frequency-response-correction points up to 1.8 GHz.

- Initializes A16 memory by entering a default value of 0 dB into memory for all frequency points.

Caution

The current flatness-correction constants are lost when **INIT FLT** is pressed.



RELATED
SOFTKEYS

EDIT FLATNESS

STORE FLATNESS

MAIN COIL DR Main-Coil Drive

DESCRIPTION

Displays the output of the main-coil driver produced on the A7 Analog Interface assembly. Perform the following steps to observe the output of the main-coil driver:

1. Activate either **SPAN** or **CENTER FREQ**, as needed.
2. Press **CAL** to select the **MAIN COIL DR** function.
3. Change either the span or center-frequency setting and observe the displayed signal.
 - When the span setting is increased (For LO spans greater than 10 MHz), the positive slope of the displayed ramp increases.
Due to quantization errors, the display appears flat for LO spans less than 500 MHz.
 - When the center frequency setting is increased within a band, the vertical position of the ramp moves up the screen. The vertical position of the ramp is a function of the YTO tune frequency.

The combination of the ramp slope and vertical position represents a voltage that is proportional to the current in the A6 YTO main coil.

Refer to Chapter 7 for additional LO troubleshooting information.

RELATED
SOFTKEYS

FM COIL DRIVE

MAIN SPAN **Main Span**

DESCRIPTION Displays the main-coil-span signal, MC.SPAN, from the span dividers on the A7 Analog Interface assembly.

Perform the following steps to observe MC.SPAN for the main-coil spans (LO spans greater than 10 MHz):

1. Press **SPAN** before pressing **CAL**.
2. Press **MAIN SPAN** to display a negative-going ramp.
3. Adjust the span setting while observing the displayed ramp. The slope of the ramp increases as the span increases.

Due to quantization errors, the display appears flat for LO spans less than 100 MHz.

For FM coil spans (LO spans less than or equal to 10 MHz), the display is a flat line.

Refer to Chapter 7 for additional LO troubleshooting information.

**RELATED
SOFTKEYS**

FM SPAN

SERVICE CAL **Service Calibration**

DESCRIPTION Provides access to the service-softkey functions.

**RELATED
SOFTKEYS** Refer to Figure 10-1.

SERVICE DIAG **Service Diagnostics**

DESCRIPTION Provides access to the service-diagnostic softkey functions. For selected service softkeys, an abbreviation for the active service function appears in the detector display block. The display block is located in the upper left-hand corner of the display.

**RELATED
SOFTKEYS** Refer to Figure 10-1.

SET ATTN ERROR Set Attenuator Error

DESCRIPTION

Note



To avoid losing correction-constant data, make a backup copy of all correction data before servicing the analyzer. Refer to **DISPLAY CAL DATA** and **EDIT FLATNESS** for the location of the correction data.

The step attenuators on the A12 Amplitude Control assembly are the relative amplitude reference for the **CAL AMPTD** routine. Four of the five step attenuators (the 1 dB, 2 dB, 4 dB, and 8 dB steps) are used. Currently, the 16 dB attenuator step is not used.

If the factory-loaded attenuator-correction constants are no longer valid, new attenuator-correction constants must be developed for the following circumstances:

- A new A12 Amplitude Control assembly is installed.
- A new A16 Processor/Video assembly is installed.
- The battery-backed nonvolatile memory contains errors caused by any one of the following:
 - A dead BT101 battery.
 - Correction data accidentally altered by the user after he has entered the passcode and gained access to the **SERVICE CAL** softkeys.
 - Defective hardware on the A16 assembly.

Use the “Cal Attenuator Error Correction” section of Chapter 2 to characterize the four attenuator steps and produce new attenuator correction constants.

Enter the new correction constants into A16 RAM with the following procedure:

1. Press the following keys:

PRESET
FREQUENCY –2001 **Hz**
SET ATTN ERROR

2. The data-entry instruction for the 1 dB step, **ENTER CAL ATTN ERROR 1**, is displayed in the active-function block, just below the active entry for the reference-level-offset value, **REF LVL OFFSET**.
3. Enter the characterization data for the 1 dB, 2 dB, 4 dB, and 8 dB steps, with a 0.01 dB resolution for each entry.
4. Terminate each entry with either the **+dBm** or **-dBm** key.
5. Enter the original factory value, or a default value of 0 dBm, for the 16 dB step.

After each entry the characterized value is displayed, with 0.1 dB resolution, to the left of the graticule, followed by the offset-reference-level indicator, OFFSET.

If desired, use **DISPLAY CAL DATA** to review the new attenuator-characterization data with 0.01 dB resolution. Refer to **DISPLAY CAL DATA** for an explanation of the displayed calibration data.

RELATED
SOFTKEYS

CAL AMPTD

DISPLAY CAL DATA

SETPLL OUTDAC Set PLL Out DAC

DESCRIPTION Allows the sampling-oscillator frequency to be set manually. Use the following steps to change the sampling-oscillator frequency.

1. Divide the desired sampling-oscillator frequency by 150 kHz.
2. Enter the value and press **ENTER**.

Refer to Chapter 7 for additional LO troubleshooting information.

Note

This function is not available in early firmware versions.



RELATED
SOFTKEYS

FREQ DIAG

STOR PWR ON UNITS Store Power-On Units

DESCRIPTION Allows the user to change the amplitude display units that appear at instrument power-on or when **PRESET** is pressed. The units must be changed for both log and linear mode. The following amplitude display units can be selected: dBm, dBmV, dBμV, Volts, and Watts. For example, press the following keys to set the analyzer power-on units to read out in dBmV in log mode and volts in linear mode.

PRESET

FREQUENCY -2001 **Hz**

AMPLITUDE MORE 1 of 2 **INPUT Z** (50) or (75)

AMPLITUDE SCALE LOG LIN (LOG) MORE 1 of 2 **AMPTD UNITS**
dBmV

AMPLITUDE **SCALE LOG LIN** (LIN) **MORE 1 of 2** **AMPTD UNITS**
Volts

AMPLITUDE **SCALE LOG LIN** (LOG)

CAL **MORE 1 of 3** **MORE 2 of 3** **SERVICE CAL** **STOR PWR ON UNITS**

Note

Selecting **INPUT Z** (50) ensures that the analyzer will make amplitude calculations based on a 50Ω system. Select **INPUT Z** (75) for instruments equipped with Option 001, 75Ω Input Impedance. Changing **INPUT Z** does not affect the input impedance of the analyzer.

To return the analyzer to the standard power-on settings, use the procedures in “After Replacing the A16 Processor/Video Board Assembly” in Chapter 3.

STORE FLATNESS **Store Flatness****DESCRIPTION**

Note

The **STORE FLATNESS** softkey is accessible only after entering the -2001 Hz passcode prior to pressing the **CAL** and **EDIT FLATNESS** softkeys.

After entering new flatness-correction constants, use **STORE FLATNESS** to store them in nonvolatile memory.

Caution

Avoid pressing the **INIT FLT** softkey when pressing the **STORE FLATNESS** softkey. All the flatness-correction constants will be lost if **INIT FLT** is pressed accidentally.

**RELATED
SOFTKEYS****EDIT FLATNESS**

STP GAIN ZERO Step-Gain Zero

DESCRIPTION Disables the two 20-dB step-gain amplifiers on the A12 Amplitude Control assembly. While disabled, the A12 assembly provides the same gain for all reference-level settings of -10 dBm and below.

The two amplifiers are disabled as part of the A14 Log Amplifier adjustment procedure in Chapter 2. Use **PRESET** to reset the step-gain amplifiers.

SWEEP RAMP Sweep Ramp

DESCRIPTION Displays the RAMP signal from the Sweep-Ramp Generator on the A7 Analog Interface assembly. The RAMP signal has a range of -10 V to $+10$ V. A positive-going ramp extending from the lower-left corner of the screen to the upper-right corner represents a normal RAMP signal.

Refer to Chapter 7 for additional LO troubleshooting information.

SWEEP TIME DAC Sweep-Time DAC

DESCRIPTION Displays the output of the sweep-time DAC, SWP_DAC, from the sweep-ramp generator on the A7 Analog Interface assembly. The top graticule represents $+10$ V and the bottom represents -10 V.

The sweep times are grouped into three ranges:

- 20 milliseconds to less than 300 milliseconds.
- 300 milliseconds to less than 6 seconds.
- 6 seconds to 100 seconds.

Within each range, a negative voltage is displayed and becomes more negative as the sweep time is decreased.

Refer to “A7 Analog Interface Assembly” in Chapter 9 for further troubleshooting information.

**RELATED
SOFTKEYS**

SWEEP RAMP

VERIFY TIMEBASE Verify Timebase

DESCRIPTION

Note



Instruments equipped with Option 004, Precision Frequency Reference, do not use this softkey function.

Allows the DAC value for the 10 MHz timebase to be changed temporarily. Either the -37 Hz or the -2001 Hz passcode must be entered to activate this function.

This function is used to verify the settability specification for the timebase. Refer to the 10 MHz Reference Accuracy (Standard Timebase) verification test in the *HP 8591A/8593A Installation, Verification, and Operation Manual*.

RELATED SOFTKEYS

CAL TIMEBASE

X FINE TUNE DAC Extra-Fine Tune DAC

DESCRIPTION

Displays the output of the YTO extra-fine-tune DAC, FM_TUNE, on the A7 Analog Interface assembly.

The lower four divisions of the screen represent a 0 to -10 V output range. Midscreen represents 0 V and bottom-screen represents -10 V. The DAC voltage level is displayed as a horizontal line within the four divisions.

Refer to Chapter 7 for additional LO troubleshooting information.

RELATED SOFTKEYS

COARSE TUNE DAC

FINE TUNE DAC

DACS

Analyzer Messages

Introduction

Refer to this chapter for information about hardware-error and informational messages that are displayed when a problem with the operation of the analyzer occurs.

Refer to the *HP 8591A/8593A Installation, Verification, and Operation Manual* for information about user-created error messages.

Interpreting Analyzer Messages

The analyzer firmware displays error messages and informational prompts to warn the user of instrument failure or improper use.

There are three types of messages: hardware-error messages (H), informational messages (M), and user-created error messages (U).

- Hardware-error messages indicate that the firmware has detected a fault in the analyzer hardware.
- Informational messages provide prompts or messages to inform the user of the analyzer status during a specific routine.
- User-created error messages indicate the analyzer is being used incorrectly. They are usually generated during remote operation.

Chapter Organization

Each analyzer message is listed in alphabetical order. The following information is provided, where applicable:

- The message type, identified by an H, M, or U.
- An operational definition for each analyzer message.
- The related analyzer assembly, or assemblies, that is the likely cause of the problem defined by the hardware-error message.
- Relevant troubleshooting hints.

ADC-GND FAIL (H)

Description

During an instrument preset, the analog-to-digital converter reading for ground on the A16 Processor/Video assembly is outside the test limit. An instrument preset routine is also performed during the self-calibration routines.

Related Assemblies

A7 Analog Interface, A8 Power Supply, A15 Motherboard, A16 Processor/Video, assemblies installed in the card cage

Troubleshooting Hints

The +15 V and –15 V supplies from the A8 Power Supply can cause this error message. If the power-supply LEDs for both power supplies are on, check that the supplies are within tolerance using the test points on the A16 Processor/Video assembly. If the supplies are not within tolerance, refer to “Problems at Instrument Power-Up” in Chapter 6.

A voltage greater than +10 V dc on pins 1, 3, 5, 7, or 31 of A16J1 can cause this error message. Refer to Figure 11-1 for the numbering order of the A16J1 connector pins that are accessible from the component side of the A16 assembly. If a voltage greater than +10 V is present on any one of the A16J1 pins indicated, use Table 11-1 to locate the source of the error message.

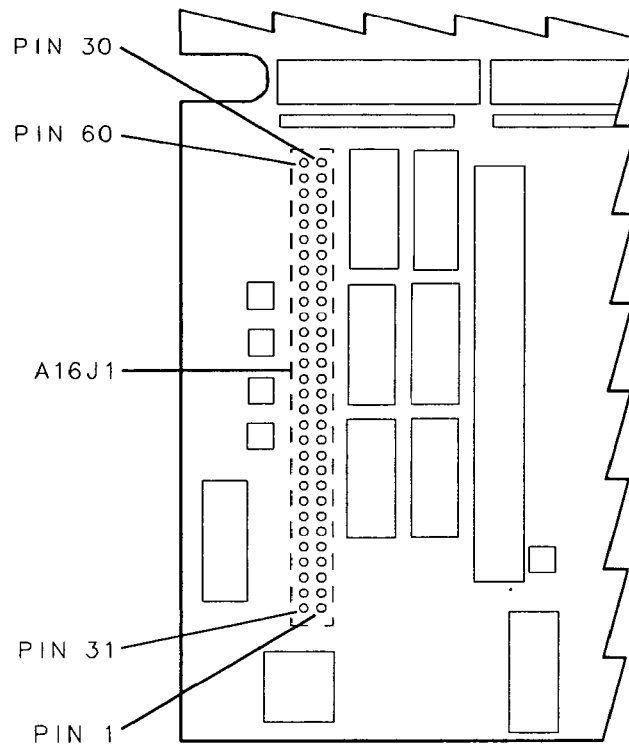


Figure 11-1. A16J1 Connector-Pin Orientation

Table 11-1. Possible Cause of the Error Message “ADC-GND FAIL”

| A16J1 Pin Number | Possible Error-Message Source |
|-----------------------------|--|
| 1 | A14 Log Amplifier assembly An assembly installed in the card cage |
| 3 | An assembly installed in the card cage |
| 5 | An assembly installed in the card cage |
| 7 | A16 Processor/Video assembly An assembly installed in the card cage Signal incorrectly applied to the AUX VIDEO output |
| 31 | A7 Analog Interface |

Before removing the A16 Processor/Video assembly, check all assemblies that are identified in Table 11-1.

1. Turn the instrument power off and remove each assembly, one at a time.
2. Turn the instrument on.
 - If the ADC ground fault remains, the instrument preset at power-up displays the error message.
 - If the error message goes away, the last assembly removed is the cause of the problem.
 - If the error message remains after the removal of all related assemblies, suspect the A16 assembly.

An ADC ground failure can also be checked manually, using the service diagnostic **GND REF DETECTOR**.

ADC-TIME FAIL (H)

Description

During an instrument preset, the time between analog-to-digital conversion readings is greater than the test limit. An instrument preset routine is also performed during the self-calibration routines.

Related Assemblies

A16 Processor/Video

Troubleshooting Hints

If the instrument does not sweep, and all other instrument functions are normal, the probable cause of the error message is a defective A16 Processor/Video assembly.

ADC-2V FAIL (H)

Description

During an instrument preset, the analog-to-digital converter reading for the +2 V reference on the A16 Processor/Video assembly is outside the test limit. An instrument preset routine is also performed during the self-calibration routines.

Related Assemblies

A8 Power Supply, A15 Motherboard, A16 Processor/Video, assemblies installed in the card cage

Troubleshooting Hints

The +15 V and -15 V supplies from the A8 Power Supply can cause this problem. If the power-supply LEDs for both supplies are on, check that the supplies are within tolerance using the test points on the A16 processor assembly. If the supplies are not within tolerance, refer to "Problems at Instrument Power-Up" in Chapter 6.

A voltage greater than +10 V dc on pins 1, 3, 5, 7, or 31 of A16J1 can cause this error message. Refer to Figure 11-2 for the numbering order of the A16J1 connector pins that are accessible from the component side of the A16 assembly. If a voltage greater than +10 V is present on any one of the A16J1 pins indicated, use Table 11-2 to locate the source of the error message.

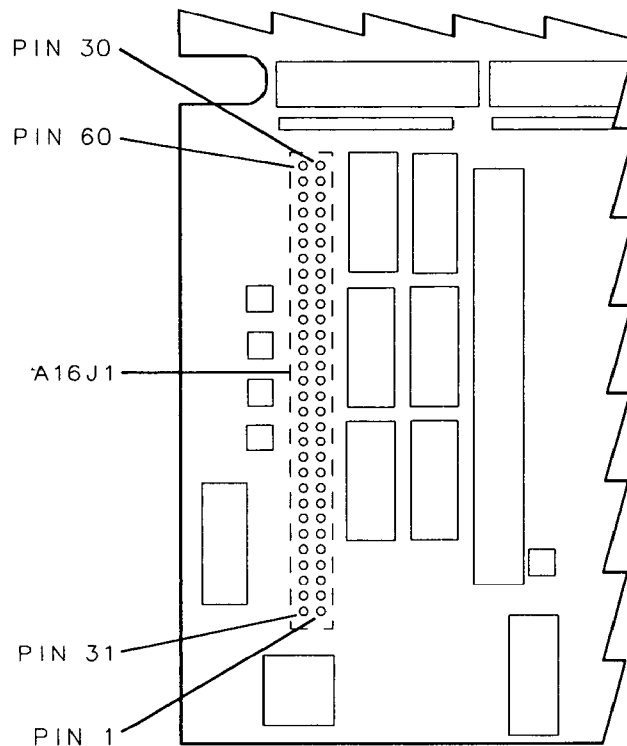


Figure 11-2. A16J1 Connector-Pin Orientation

Table 11-2. Possible Cause of the Error Message “ADC-2V FAIL”

| A16J1 Pin Number | Possible Error-Message Source |
|-----------------------------|--|
| 1 | A14 Log Amplifier assembly An assembly installed in the card cage |
| 3 | An assembly installed in the card cage |
| 5 | An assembly installed in the card cage |
| 7 | A16 Processor/Video assembly An assembly installed in the card cage Signal incorrectly applied to the AUX VIDEO output |
| 31 | A7 Analog Interface assembly |

Before removing the A16 Processor/Video assembly, check all assemblies that are identified in Table 11-2.

1. Turn the instrument power off and remove each assembly, one at a time.
2. Turn the instrument on.
 - If the ADC 2 V fault remains, the instrument preset at power-up displays the error message.
 - If the error message goes away, the last assembly removed is the cause of the problem.
 - If the error message remains after the removal of all related assemblies, suspect the A16 assembly.

Check the ADC 2 V Reference Voltage on the A16 assembly. Refer to *HP 8590B/91A/92B/93A Component-Level Information* for the location of the 2 V reference circuit in the analog-to-digital function block.

A 2 V reference failure can also be checked manually, using the service diagnostic **2v REF DETECTOR**.

CAL: _ _ (M)

Description

During the **CAL FREQ** and **CAL AMPTD** self-calibration routines, messages are sequentially displayed, indicating that the routine is progressing:

- **SWEEP**, **FREQ**, and **SPAN** appear during the **CAL FREQ** routine. **FM GAIN + OFFSET** also appears for instruments equipped with Option 102, AM/FM Speaker and TV Sync Trigger or Option 103, Quasi-Peak Detector/Demodulator.
- **AMPTD**, **3dB BW**, **ATTEN**, and **LOG AMP** appear during the **CAL AMPTD** routine.

Refer to the **CAL FREQ** and **CAL AMPTD** softkey descriptions in Chapter 10 for further information.

Note



It is normal for the **FREQ UNCAL** error message to appear briefly during **CAL FREQ**.

Troubleshooting Hints

If the firmware detects a problem during the self-calibration routine, the routine will stop and display an error message (H). Refer to the appropriate error-message description in this section.

CAL: DATA NOT STORED CAL AMP NEEDED (U)(H)

Description

The current correction-factor data is the default calibration data. The instrument firmware prevents the default data from being stored. While the default data is in use, a flag is set. If **CAL STORE** is pressed, the error message is displayed and **CAL STORE** is disabled. Successful completion of the **CAL AMPTD** routine clears the flag.

Related Assemblies

A16 Processor/Video

Troubleshooting Hints

Perform the **CAL FREQ** and **CAL AMPTD** routines. If the error message reappears after pressing **CAL STORE**, the **CAL AMPTD** routine was not successfully completed.

Note

Pressing **CAL FETCH** also clears the correction-data error flag and can permit erroneous data to be stored. Use **CAL FETCH** only for troubleshooting.

**CAL: cannot execute CALAMP
enter: 0 dB PREAMP GAIN (U)(H)****Description**

The preamplifier gain is not set to 0 dB. The preamplifier gain must be set to 0 dB for the **CAL AMPTD** routine to be performed.

Troubleshooting Hints

Reset the preamplifier gain to 0 dB using the following routines:

1. Press **EXT PREAMP** and set the preamplifier gain to 0 dB.
2. Perform the **CAL AMPTD** routine.
3. Press **CAL STORE** to store the new calibration factors and the preamplifier setting of 0 dB.

Note

PRESET does not initialize the preamp-gain setting to 0 dB.

If this message is still displayed after resetting the preamp gain, it is likely there is a failure in RAM on the A16 Processor/Video assembly.

CAL: FM SPAN SENS FAIL (H)**Description**

During the **CAL FREQ** self-calibration routine the analyzer cannot set the span sensitivity of the FM coil. The output of the fine-tune DAC, located on the A7 Analog Interface assembly, is changed to move the displayed signal four divisions. If the signal does not move to within ± 1.25 divisions of the expected display position, the error message is displayed.

Related Assemblies

A6 YTO, A7 Analog Interface

Troubleshooting Hints

Caution



For instruments with firmware revisions 11.7.89 and 18.7.89 that *are not* equipped with Option 004, Precision Frequency Reference, the data stored in **CAL TIMEBASE** is lost whenever **DEFAULT CAL DATA** is used.

- Before using **DEFAULT CAL DATA**, manually record the current timebase data. Use **DISPLAY CAL DATA** to view the timebase value.
 - After using **DEFAULT CAL DATA**, be sure to reenter the recorded timebase value. Refer to the 10 MHz Reference (Standard) adjustment procedure in Chapter 2.
-

Use the default-calibration factors provided by a **DEFAULT CAL DATA**. If the error message disappears after replacing each related assembly, the replaced assembly is defective.

Recalibrate the analyzer using the **CAL FREQ** and **CAL AMPTD** routines. Refer to the description of each routine in Chapter 10 for further information.

Be sure to store the new calibration factors with **CAL STORE**.

CAL: GAIN FAIL (H)

Description

During the **CAL AMPTD** routine, the amplitude of the video signal at the ADC on the A16 Processor/Video assembly is too low. The error message appears when the reference-level-calibration DAC, located on the A7 Analog Interface assembly, has been adjusted to its maximum of 255, and the amplitude of the video signal remains below tolerance.

Related Assemblies

A3 Attenuator, A4 First Mixer, A5 Second Converter, A6 YTO, A7 Analog Interface, A9 Third Converter, A11 Bandwidth Filter, A12 Amplitude Control, A13 Bandwidth Filter, A14 Log Amplifier

Troubleshooting Hints

The **CAL AMPTD** routine checks the amplitude of the video signal as it adjusts the A7 reference-level-calibration DAC. Normally, the video-signal amplitude should move within tolerance as the A7 DAC changes the gain of the IF calibration amplifier on the A9 Third Converter assembly. Refer to Foldout 6-1, RF Section Overall Block Diagram, and Foldout 6-2, IF/Control Overall Block Diagram, for more information.

Check the signal amplitude along the signal path from the RF input, through the IF section, to the output of the A14 Log Amplifier. Refer to “Locating an RF/LO/IF or Video Problem” in Chapter 6 for further troubleshooting information.

CAL: PASSCODE NEEDED (M)

Description

The service function executed cannot be performed without the service passcode.

Troubleshooting Hints

Before performing any function that requires a service passcode, be sure you understand the consequences of the function. Improper use of functions that require a passcode can delete factory correction constants that are difficult to replace.

Refer to “Passcodes” in Chapter 10 for information about the proper use of the passcodes.

CAL: RES BW AMPL FAIL (H)

Description

During the **CAL AMPTD** routine, the insertion loss of a resolution bandwidth filter, relative to the amplitude of the 3 kHz resolution bandwidth filter, was greater than 2.2 dB.

Related Assemblies

A7 Analog Interface, A11 Bandwidth Filter, A13 Bandwidth Filter, A14 Log Amplifier/Detector

Troubleshooting Hints

The **CAL AMPTD** routine will stop at the resolution bandwidth that failed. If the A11/A13 Bandwidth Filter assemblies require realignment, use the Crystal and LC Bandwidth Filter adjustment procedures in Chapter 2.

If a defective bandwidth filter board is suspected, refer to the “IF Power-Levels at Measurement Points” in Chapter 6 and “Bandwidth Control Lines for the A11 and A13 Bandwidth Filter Assemblies” in Chapter 8.

CAL SIGNAL NOT FOUND (U)(H)

Description

During a self-calibration routine, the CAL OUT signal cannot be found. The primary purpose of the CAL OUT check is to confirm that CAL OUT is connected to the input. A CAL OUT signal that is not within 300 MHz \pm 50 MHz, or is not greater than or equal to -45 dBm, causes this error message to be displayed.

Related Assemblies

A7 Analog Interface, A9 Third Converter

Troubleshooting Hints

If one of the following conditions are present, the error message is displayed:

- The CAL OUT signal is missing. Ensure that the CAL OUT is connected to the input connector using the CAL cable supplied with the analyzer. Refer to Table 1-4 for the part number of the CAL cable.

If the calibration cable is corrected properly, manually check the CAL OUT signal.

- The CAL OUT signal is not within ± 50 MHz of 300 MHz, or it has an amplitude less than or equal to -45 dBm. The test limits are large enough to indicate an obvious failure for either the CAL OUT signal or the spectrum analyzer.
- The **DEFAULT CAL DATA** is in use and the frequency of the CAL OUT signal appears out of tolerance.

The default data introduces frequency offsets that can make an accurate CAL OUT signal appear to be outside the test limits for the CAL OUT check. If desired, the instrument CAL OUT check can be bypassed. Enter the -37 Hz passcode before pressing **CAL** and the desired self-calibration softkey.

Refer to the description of **DEFAULT CAL DATA** in Chapter 10 for additional information.

- The analyzer has extremely low gain. Refer to “Locating an RF/LO/IF or Video Problem” in Chapter 6.

Be sure to perform all internal self-calibration routines after resolving the calibration signal problem. Refer to the *HP 8591A/8593A Installation, Verification, and Operation Manual*.

CAL: SPAN SENS FAIL (H)

Description

During the **CAL FREQ** self-calibration routine the main-coil span-sensitivity adjustment routine has failed, indicating that the spans controlled by the main coil (LO spans greater than 10 MHz) are not working correctly. The span-sensitivity adjustment routine checks for three displayed signals: 0 Hz, 300 MHz, and 600 MHz. If three signals are not found in a 750 MHz span, the error message is displayed.

Related Assemblies

A7 Analog Interface, A6 YTO, A9 Third Converter, A16 Processor/Video

Troubleshooting Hints

Spurious signals can cause this routine to fail. Refer to the **MAIN SPAN** softkey description for further information in Chapter 10.

CAL: USING DEFAULT DATA (M)

Description

The **CAL AMPTD** routine was not completed and default correction factors are being used.

Troubleshooting Hints

Interruption of the **CAL AMPTD** routine can cause the routine to terminate and produce this message.

Refer to Chapter 10 for more information about **DEFAULT CAL DATA**.

CONF TEST FAIL (H)

Description

The confidence test routine has failed.

Troubleshooting Hints

The confidence test routine identifies the analyzer function that failed the test. Refer to the **CONF TEST** description in Chapter 10 for more information.

FAIL: XXXX XXXXXXXXXXXX (H)

Description

A circuit-test failure was detected by the central processing unit (CPU) during power-up or instrument preset. A failure code has two major parts: a 4-digit code followed by a 10-digit code. The 10-digit code contains three separate failure codes. Each failure code must be converted from hexadecimal to binary before it can be interpreted, using Table 11-3 through Table 11-6.

Component-level information is provided with this error message description. Refer to the *HP 8590B/91A/92B/93A Component-Level Information* binder for further information about the indicated components.

The Four-Digit Failure Code

The four-digit failure code identifies the circuit location of the failure on the A16 Processor/Video assembly. Component-level failure information is also provided. Each digit of the four-digit hexadecimal segment must be translated to its binary equivalent before using Table 11-3 to locate the probable failure.

The 16 LEDs along the right-hand side of the A16 assembly provide the same error information that is contained in the 4-digit failure code. Use Table 11-3 to interpret the illuminated LEDs for an instrument failure.

Here is an example of a failure code. It is unlikely that an analyzer would have so severe a failure involving all the components indicated. The example is for demonstration only.

FAIL: DF30 0625C1F72D

The four-digit failure code (DF30) is interpreted in Table 11-3. The three fail codes within the 10-digit section (0625C1F72D) are interpreted in the "The 10-Digit Failure Code" description.

Table 11-3. Four-Digit Failure Code Interpretation

| Digits From Example | Equivalent Binary Value | A16 LEDs | A16 Circuit Tested | A16 Reference Designator |
|--|-------------------------|----------|-----------------------------|--------------------------|
| D → | 8 | 15 | Video RAM * | U305, U306 |
| ↵ | 4 | 14 | I/O Bus Address * | U18 |
| | 2 | 13 | CPU | U12 |
| ↵ | 1 | 12 † | 68230 | U57 |
| F → | 8 | 11 | I/O Bus (Odd byte) | U2 |
| ↵ | 4 | 10 | I/O Bus (Even byte) | U3 |
| | 2 | 9 | User RAM | U5 |
| ↵ | 1 | 8 | User RAM | U22 |
| | 8 | 7 | User RAM | U5 |
| | 4 | 6 | User RAM | U22 |
| 3 → | 2 | 5 | Calibration RAM (Odd byte) | U4 |
| ↵ | 1 | 4 | Calibration RAM (Even byte) | U21 |
| | 8 | 3 | ROM (Odd B LSB) | U6 |
| | 4 | 2 | ROM (Even B LSB) | U23 |
| | 2 | 1 | ROM (Odd A LSB) | U7 |
| 0 | 1 | 0 | ROM (Even A LSB) | U24 |
| <p>* Refer to the 10-digit failure code description for more information. † LED DS12 remains on after pressing PRESET.</p> | | | | |

The 10-Digit Failure Code

The 10-digit segment provides further failure information for the I/O address bus, the I/O data bus, and the A16 video RAM circuitry. Each digit of the 10-digit hexadecimal segment must be translated to its binary equivalent to obtain the failure information.

The 10-digit failure code section is divided into three separate codes. The 10-digit failure code example (0625C1F72D) is separated into three codes as shown below:

FAIL: DF30 (06) (25C1) (F72D)

Each failure code from the example is converted from hexadecimal to binary and interpreted in Table 11-4, Table 11-5, and Table 11-6.

The I/O Address Bus Failure Code. The first two digits of the 10-digit code identify the failed address lines on the I/O address bus. Convert the two digits to binary and interpret them with Table 11-4.

Table 11-4. I/O Bus Address Failure-Code Interpretation

| Digits From Example | Equivalent Binary Value | A16 Circuit Tested | A16 Reference Designator |
|---------------------|-------------------------|--------------------|--------------------------|
| 0 | 8 | Not Used | U18 |
| | 4 | Not Used | |
| | 2 | Not Used | |
| | 1 | Error at ADR 4 | |
| 6 → ↔ | 8 | Error at ADR 3 | U18 |
| | 4 | Error at ADR 2 | U18 |
| | 2 | Error at ADR 1 | U18 |
| | 1 | Error at ADR 0 | U18 |

The I/O Data-Bus Failure Code. The next four digits identify failed data lines on the I/O data bus. Convert the four digits to binary and interpret them with Table 11-5.

Table 11-5. I/O Data Bus Failure Code Interpretation

| Digits From Example | Equivalent Binary Value | A16 Circuit Tested | A16 Reference Designator |
|---------------------|-------------------------|--------------------|--------------------------|
| 2 → | 8 | Error at IOB 15 | U3 |
| | 4 | Error at IOB 14 | U3 |
| | 2 | Error at IOB 13 | U3 |
| | 1 | Error at IOB 12 | U3 |
| 5 → ↔ | 8 | Error at IOB 11 | U3 |
| | 4 | Error at IOB 10 | U3 |
| | 2 | Error at IOB 9 | U3 |
| | 1 | Error at IOB 8 | U3 |
| C → ↔ | 8 | Error at IOB 7 | U2 |
| | 4 | Error at IOB 6 | U2 |
| | 2 | Error at IOB 5 | U2 |
| | 1 | Error at IOB 4 | U2 |
| 1 → | 8 | Error at IOB 3 | U2 |
| | 4 | Error at IOB 2 | U2 |
| | 2 | Error at IOB 1 | U2 |
| | 1 | Error at IOB 0 | U2 |

The Video RAM Failure Code. The last four digits identify the failure address for the video RAM on the A16 assembly. A video RAM failure code indicates an internal failure on the A16 assembly; the section of the Video RAM circuitry that is tested is not connected to other instrument assemblies. Convert the four digits to binary and interpret them with Table 11-6.

Table 11-6. A16 Video Ram Address Failure Code Interpretation

| Digits From Example | Equivalent Binary Value | A16 Circuit Tested | A16 Reference Designator |
|---|-------------------------|--------------------|--------------------------|
| F → | 8 | Error at MAD 15 * | U306 |
| ↵ | 4 | Error at MAD 14 | U305 |
| ↵ | 2 | Error at MAD 13 | U306 |
| ↵ | 1 | Error at MAD 12 | U305 |
| 7 → | 8 | Error at MAD 11 | U306 |
| ↵ | 4 | Error at MAD 10 | U305 |
| ↵ | 2 | Error at MAD 9 | U306 |
| ↵ | 1 | Error at MAD 8 | U305 |
| 2 → | 8 | Error at MAD 7 | U306 |
| | 4 | Error at MAD 6 | U305 |
| | 2 | Error at MAD 5 | U306 |
| | 1 | Error at MAD 4 | U305 |
| D → | 8 | Error at MAD 3 | U306 |
| ↵ | 4 | Error at MAD 2 | U305 |
| | 2 | Error at MAD 1 | U306 |
| ↵ | 1 | Error at MAD 0 | U305 |
| <p>* The acronym <i>MAD</i> stands for “Multiplexed Address and Data.” There are no separate address and data lines within the A16 video RAM circuitry.</p> | | | |

Related Assemblies

A7 Analog Interface, A16 Processor/Video, A17 Memory Card, A25 Counter Lock, assemblies installed in the card cage

Troubleshooting Hints

Refer to Foldout 6-1, RF Section Overall Block Diagram, and Foldout 6-2, IF/Control Overall Block Diagram, in Chapter 6 for an overview of the assemblies attached to the I/O bus. Refer also to “A15 Motherboard Assembly” in Chapter 8 for the location of specific I/O signal traces on related assemblies.

- If a failure code for an I/O bus address or data line occurs, remove the related assemblies one at a time until the failure message disappears. Be sure to turn the analyzer power off while removing and installing each assembly.
 - If the failure message disappears, suspect the assembly that was removed last.
 - If the failure message remains after all related assemblies have been removed, suspect the A16 assembly.
- If a A16 video RAM fail code occurs, the A16 assembly is defective.

FREQ UNCAL (U) (H)

Description

The YTO (YIG-tuned oscillator) frequency is more than 20 MHz from the desired frequency.

Related Assemblies

A6 YTO, A7 Analog Interface, A25 Counter Lock

Troubleshooting Hints

- This error message may occur when using correction data from **DEFAULT CAL DATA**. Refer to the **DEFAULT CAL DATA** description in Chapter 10 for more information.

If **DEFAULT CAL DATA** is in use, the instrument self-calibration routines must be run. Refer to the *HP 8591A/8593A Installation, Verification, and Operation Manual*.

- The error message may occur if incomplete frequency calibration factors are used. Interrupting the **CAL FREQ** self-calibration routine produces incomplete frequency calibration data.

Performing the **CAL FREQ** routine may eliminate the problem. Be sure to press **CAL STORE** to store the correction factors produced by **CAL FREQ**.

- The error message may occur if either the reference oscillator or the sampling oscillator on the A25 assembly is unlocked.

Refer to “Locating an RF/LO/IF or Video Problem” in Chapter 6 for further information.

Note

It is normal for the FREQ UNCAL message to appear briefly during the **CAL FREQ** routine.



INVALID FLATNESS DATA (U)

Description

The message is displayed when **EDIT FLATNESS** is used to edit the flatness correction-constants and no start, stop, or step size has been set for the entry of the flatness data. All correction constants are probably missing.

Troubleshooting Hints

The error message appears when a new A16 Processor/Video assembly is installed or the data stored in RAM is lost. A dead BT101 battery can also produce this error message.

Eliminate the error message by using **INIT FLT** to initialize the start, stop, and step size settings before entering the flatness correction-constants.

Refer to the Frequency Response adjustment procedure in Chapter 2 for further information about entering flatness correction constants.

OVEN COLD (M)

Description

This message is displayed for instruments equipped with Option 004, Precision Frequency Reference.

The message is displayed for 5 minutes after the instrument is turned on. The message alerts the user that the oven in the A22 Precision Frequency Reference has not been on long enough to warm the reference to its operating temperature.

Note



On earlier analyzers, the OVEN COLD message is displayed briefly during instrument preset.

Related Assemblies

A22 Precision Frequency Reference (Option 004)

Troubleshooting Hints

This is a timed message that comes on whenever the instrument is turned on; the temperature of the A22 Precision Frequency Reference oven-controlled crystal oscillator (OCXO) is not measured.

The instrument firmware displays the message only when it senses that the A22 assembly is connected to its power supply through W15, the OCXO power cable. If the message does not appear, check the W15 cable.

POS-PK FAIL (H)

Description

The positive-peak-detector check has failed during the confidence test routine, **CONF TEST**. The level of the noise floor for the positive-peak detector is statistically compared to that of the sample detector. The mean of the data from the positive-peak detector should be greater than the mean of the data from the sample detector.

Related Assemblies

A16 Processor/Video

Troubleshooting Hints

This test performs a functional check of switching for the positive-peak detector on the A16 Processor/Video assembly.

Refer to the **CONF TEST** description in Chapter 10 for more information about the confidence test routine.

RES-BW SHAPE FAIL (H)

Description

During the confidence test routine, **CONF TEST**, the 3 dB bandwidth of a resolution bandwidth was not within 20% of its nominal value. The 10 kHz, 30 kHz, 100 kHz, 300 kHz, 1 MHz, and 3 MHz bandwidths are checked and the bandwidths that fail are displayed.

Note



On earlier analyzers, resolution bandwidth accuracy is an instrument characteristic, not a specification.

Related Assemblies

A7 Analog Interface, A11 Bandwidth Filter, A13 Bandwidth Filter

Troubleshooting Hints

- The bandwidth of the failed resolution bandwidths may have drifted since the last time the self-calibration routines were run. The **CAL AMPTD** self-calibration routine corrects for bandwidth error.

If a bandwidth drifts out of tolerance soon after performing **CAL AMPTD**, a bandwidth-filter assembly or bandwidth control line may be unstable.

1. Check the 3 dB bandwidth of the failed resolution bandwidths using the **3 dB POINTS** softkey.
2. Use **DISPLAY CAL DATA** to view the current bandwidth control factors.
3. Perform the **CAL AMPTD** self-calibration routine. Use **DISPLAY CAL DATA** to monitor changes in the bandwidth control factors each time the **CAL AMPTD** routine is performed.
4. Repeat the **CONF TEST** routine. If the error message is still present, look for an unstable bandwidth-filter assembly or bandwidth control line.

Refer to “Bandwidth Control Lines for the A11 and A13 Bandwidth Filter Assemblies” in Chapter 8 when troubleshooting the bandwidth control lines.

- The bandpass shape of the failed resolution bandwidths may have drifted since the last time the self-calibration routines were run.
 1. Look at the bandpass shape of each failed bandwidth. If realignment is needed, refer to the Crystal and LC Bandwidth Filter adjustment procedure in Chapter 2.
 2. Run the **CAL AMPTD** self-calibration routine and store the data using **CAL STORE**.
 3. Repeat the **CONF TEST** routine. If the error message is still present, one of the bandwidth-filter assemblies may be defective.

Refer to the **CONF TEST** description in Chapter 10 for more information about the confidence test routine.

RES-BW NOISE FAIL (H)

Description

During the confidence test routine, **CONF TEST**, the noise floor level was too high for the indicated resolution bandwidth.

Starting with the widest resolution bandwidth, the test compares the noise floor amplitude of each bandwidth to the noise floor amplitude of the next, narrower resolution bandwidth. If a decrease in noise-floor amplitude does not occur, the test displays the narrower bandwidth as a test failure.

Related Assemblies

A11 Bandwidth Filter, A13 Bandwidth Filter

Troubleshooting Hints

Refer to the **CONF TEST** description in Chapter 10 for more information about the confidence test routine.

- A high noise floor can be caused by a defective bandwidth control line.

Look for a change in noise floor level and bandwidth when manually switching between bandwidths. If no change occurs, check the bandwidth control lines from the A7 Analog Interface assembly.

Refer to Foldout 6-2, IF/Control Overall Block Diagram, in Chapter 6 and “Bandwidth Control Lines for the A11 and A13 Bandwidth Filter Assemblies” in Chapter 8 for further information.

- A high noise floor can also be caused by loose screws in the IF assembly section. Make sure the IF assembly cover screws are properly tightened.

REF UNLOCK (M)(H)

Description

The oscillator on the A9 Third Converter is not locked to a 10 MHz frequency reference. The analyzer must be connected to one of the following frequency references:

- 10 MHz standard timebase. The reference is a room-temperature crystal oscillator (RTXO) that is located on the A25 assembly.
- Option 004, Precision Frequency Reference. The reference is a oven-controlled crystal oscillator (OCXO).
- External 10 MHz frequency reference.

Related Assemblies

A22 Precision Frequency Reference (Option 004), A25 Counter-Lock

Troubleshooting Hints

Refer to Foldout 6-1, RF Section Overall Block Diagram, for an overview of the RF and LO section operation.

1. Check the rear-panel cable connections for the 10 MHz reference.

When using either the standard 10 MHz timebase or the precision frequency reference, make sure that the 10 MHz REF OUT on the rear panel is connected to the EXT REF IN. The W6 jumper is supplied with the analyzer for this purpose.

When using an external 10 MHz reference, make sure it is connected to the EXT REF IN on the rear panel.

2. If the rear panel connection is correct, check the power output of the 10 MHz frequency reference.
 - The standard 10 MHz timebase (RTXO) that is located on the A25 assembly has an typical output of 0 dBm \pm 6 dB.
 - Option 004, A22 Precision Frequency Reference (OCXO), has an typical output of 0 dBm \pm 3 dB.
 - An external 10 MHz reference should have an output between -2 dBm and $+10$ dBm.
3. If the output of the 10 MHz reference is correct, check the continuity of W18, the EXT REF IN cable, and W16, the 10 MHz OUT cable. (W17 replaces W16 when Option 004 is installed.)
4. Check the continuity of the VTO_TUNE control line. Refer to “LO Section” in Chapter 7 and “A15 Motherboard Assembly” in Chapter 8 for information about VTO_TUNE.
5. Check the continuity of the W14 ribbon cable and the W21 coaxial cable.
6. Check the continuity of the A25 assembly connections to the A9 assembly that pass through the A15 Motherboard. Refer to “LO Section” in Chapter 7 and “A15 Motherboard Assembly” in Chapter 8 for information about the A25 assembly.
7. If the error message is still present, suspect the A25 Counter-Lock assembly.

SAMPLE FAIL (H)

Description

During the confidence test routine, **CONF TEST**, the sample-detector test has failed. The test makes a statistical comparison between the peak-to-peak amplitude of the noise floor for the positive-peak detector and the noise floor for the sample detector.

The error message is displayed if the standard deviation of the data for the sample detector is less than the standard deviation of data for the positive-peak detector.

Related Assemblies

A16 Processor/Video

Troubleshooting Hints

This test performs a functional check of switching for the sample detector on the A16 Processor/Video assembly.

Refer to the **CONF TEST** description in Chapter 10 for more information about the confidence test routine.

STEP GAIN/ATTEN FAIL (H)

Description

During the confidence test routine, **CONF TEST**, the step-gain switching check has failed. Looking at displayed noise, the test steps the reference level from -60 dBm to $+30$ dBm, in 10 dB increments, with the input attenuator set to 60 dB. The error message is displayed if the noise level does not increase for each 10 dB step in reference level.

Related Assemblies

A12 Amplitude Control

Troubleshooting Hints

The confidence test performs a functional check of the A12 assembly step gains; it does not check the function of the A12 step attenuators. The test passes if it detects any increase in noise floor level for each 10 dB change in reference level. Refer to “IF Section Gain Control” in Chapter 8 for further information about the operation of the 10 dB step gains.

Note



There is no manual adjustment for the 10 dB step gains. The **CAL AMPTD** self-calibration routine corrects for the 10 dB step gains and input attenuator errors. Refer to the **CAL AMPTD** description in Chapter 10 for more information.

If one of the 10 dB step gains appears to be faulty, check the step-gain control lines from the A7 Analog Interface assembly.

Refer to “A15 Motherboard Assembly” in Chapter 8 for the location of the step gain control lines.

If the control lines function correctly, suspect a A12 Amplitude Control assembly failure.

Refer to the **CONF TEST** description in Chapter 10 for more information about the confidence test routine.

SRQ . . . (M)

Description

The service request is active. Service requests are an informational message and are explained in Appendix B of the *HP 8591A/8593A Installation, Verification, and Operation Manual*.

TG SIGNAL NOT FOUND (U)

Note



This error message applies to analyzers equipped with Option 010, 50 Ω Output Tracking Generator, and Option 011, 75 Ω Output Tracking Generator.

Description

During the **CAL TRK GEN** self-calibration routine, a signal response above the first division from bottom screen is not present. The primary purpose of the error message is to indicate that the CAL cable is not connected from the tracking generator RF OUT to the RF INPUT.

Related Assemblies

A7A1 Tracking Control, A24 FL1, A24A1 Tripler, A24A2 Tracking Converter, A24A3 Amplifier Detector, A24A4 Output Attenuator

Troubleshooting Hints

- If a low signal response is present within the first division from bottom screen, check the cable connection from the RF OUT to the RF INPUT.

A cable with excessive loss can cause a low-level signal. Use the CAL cable that is supplied with the instrument. Be sure to use the same CAL cable when performing all the self-calibration routines.

Refer to Table 1-4 for the part number of the CAL cable.

- If no signal response is present, check the output of the tracking generator at the RF OUT connector. Refer to Foldout 6-3, Tracking Generator Block Diagram, in Chapter 6 for more information.

VID-BW FAIL (H)

Description

During the **CONF TEST** routine the video bandwidth check has failed. The test checks for a decrease in the peak-to-peak excursion of the noise trace as the video bandwidth is decreased.

Related Assemblies

A14 Log Amplifier/Detector, A16 Processor/Video

Troubleshooting Hints

The **CONF TEST** routine performs a functional check of switching for the video bandwidth circuitry on the A16 Processor/Video assembly.

Refer to **CONF TEST** description in Chapter 10 for more information about the confidence test routine.

Problems with the low-pass filter on the A14 Log Amplifier/Detector assembly can cause the video bandwidths to appear to be incorrect.

Component-Level Information Packets

Component-level information is available for selected instrument assemblies. The information for each repairable assembly is provided in the form of Component-Level Information Packets (CLIPs). Each CLIP contains a parts list, component-location diagram, and schematic diagram. Each CLIP has an HP part number which is changed whenever the HP part number for its related instrument assembly is changed.

Updated or replacement CLIPs may be ordered through your local Hewlett-Packard Sales or Service office using the CLIP part number provided in Table A-1.

A complete set of CLIPs can be obtained by ordering the *HP 8590B/91A/92B/93A Component-Level Information* binder, HP part number 5958-7046. The current set of CLIPs contains only those CLIPs that support the latest version of instrument assemblies.

CLIPs are packaged in protective plastic envelopes. To use and store your CLIPs effectively, the following accessories are available:

| | |
|--|--------------------------|
| 2-1/2 inch CLIP binder (for 25 to 30 packets) | HP part number 9282-1134 |
| 2 inch CLIP binder (for 15 to 25 packets) | HP part number 9282-1133 |
| 1-1/2 inch CLIP binder (for fewer than 15 packets) | HP part number 9282-1132 |
| Replacement plastic CLIP envelopes | HP part number 9222-1536 |

Note

CLIPs may not be available for recently introduced assemblies.



**Table A-1.
Board Assembly, Serial Number, and CLIP Part Number Cross-Reference**

| HP Model Number | Assembly | Instrument Serial Prefix | Board Assembly Part Number | CLIP Part Number |
|------------------------|--|---------------------------------|-----------------------------------|-------------------------|
| All | A1A1 Keyboard | 2919A and above | 08590-60004 | 08590-90116 |
| 8592B/8593A | A3A1 Comb Generator | 2919A and above | 08569-60024 | 08569-90132 |
| 8590B/8591A | A5 Second Converter | 2919A and above | 08590-60117 | 08590-90117 |
| 8590B/8591A | A5A1 Tripler | 2919A and above | 08590-60155 | 08590-90017 |
| 8590B/8591A | A7 Analog Interface, RF | 2919A and above | 08590-60101 | 08590-90118 |
| 8592B/8593A | A7 Analog Interface, μ W | 2919A and above | 08592-60043 | 08592-90045 |
| All | A9 Third Converter | 2919A and above | 08590-60104 | 08590-90119 |
| 8590B/8591A | A9 Third Converter <i>(Option 001)</i> | 2919A and above | 08590-60114 | 08590-90119 |
| All | A11/A13 Bandwidth Filter Boards #1 and #2 | 2919A and above | 08590-60158 | 08590-90120 |
| All | A12 Amplitude Control | 2919A and above | 08590-60105 | 08590-90121 |
| All | A14 Log Amp | 2919A and above | 08590-60149 | 08590-90122 |

**Table A-1.
Board Assembly, Serial Number, and CLIP Part Number Cross-Reference
(continued)**

| HP Model Number | Assembly | Instrument Serial Prefix | Board Assembly Part Number | CLIP Part Number |
|------------------------|---------------------|---------------------------------|-----------------------------------|-------------------------|
| 8590B | A15 Motherboard | 2919A to 3003A | 08590-60103 | 08591-90004 |
| 8590B | A15 Motherboard | 3009A and above | 08590-60180 | 08591-90014 |
| 8591A | A15 Motherboard | 2919A to 3003A | 08591-60001 | 08591-90004 |
| 8591A | A15 Motherboard | 3009A and above | 08591-60017 | 08591-90014 |
| 8592B | A15 Motherboard | 2919A to 3009A00376 | 08590-60103 | 08591-90004 |
| 8592B | A15 Motherboard | 3009A00377 and above | 08590-60180 | 08591-90014 |
| 8593A | A15 Motherboard | 2919A to 3009A00435 | 08591-60001 | 08591-90004 |
| 8593A | A15 Motherboard | 3009A00436 and above | 08591-60017 | 08591-90014 |
| 8590B/8591A | A16 Processor/Video | 2919A and above | 08590-60102 | 08590-90123 |
| 8592B/8593A | A16 Processor/Video | 2919A and above | 08592-60068 | 08590-90123 |

**Table A-1.
Board Assembly, Serial Number, and CLIP Part Number Cross-Reference
(continued)**

| HP Model Number | Assembly | Instrument Serial Prefix | Board Assembly Part Number | CLIP Part Number |
|------------------------|--|---------------------------------|-----------------------------------|-------------------------|
| 8591A/8593A | A17 Memory Card Reader | 2919A and above | 08590-60107 | 08590-90124 |
| 8590B/8592B | A17 Memory Card Reader <i>(Option 003)</i> | 2919A and above | 08590-60107 | 08590-90124 |
| All | A20 HP-IB I/O <i>(Option 021)</i> | 2919A and above | 08590-60108 | 08590-90125 |
| All | A21 RS-232 I/O <i>(Option 023)</i> | 2919A and above | 08590-60109 | 08590-90126 |
| 8591A/8593A | A25 Counter Lock | 2919A and above | 08591-60002 | 08591-90005 |
| 8591A/8593A | A101 Fast Time Domain Sweeps <i>(Option 101)</i> | 2919A and above | 5062-1984 | 5958-7054 |
| 8591A/8593A | A102 AM/FM Speaker and TV Synch Trigger <i>(Option 102)</i> | 2919A and above | 5062-1982 | 5958-7055 |



HP Part No. 08591-90018
Printed in USA

Preliminary Service Information

HP 8594A Portable Spectrum Analyzer



**HEWLETT
PACKARD**

Printed in USA Oct 1990

Copyright © 1990 Hewlett-Packard Company. All Rights Reserved. Reproduction, adaptation, or translation without prior written permission is prohibited, except as allowed under the copyright laws.

Contents

| | |
|---|------|
| 1. General Information | |
| Introduction | 1-1 |
| HP 8594A to HP 8593A Spectrum Analyzer Similarities | 1-2 |
| How to Use the Preliminary Service Information | 1-2 |
| 2. Adjustment Procedures | |
| Introduction | 2-1 |
| 15. Frequency Response | 2-2 |
| 16. First LO Distribution Amplifier Adjustment (Option 009, 010) | 2-8 |
| 17. BITG Power Level Adjustments (Option 009, 010) | 2-10 |
| 18. Tracking Oscillator Adjustment (Option 009, 010) | 2-13 |
| 4. Replaceable Parts | |
| Introduction | 4-1 |
| 9. Control/Display Section Troubleshooting | |
| Introduction | 9-1 |
| Before You Start Troubleshooting | 9-1 |
| Backing Up Spectrum Analyzer Correction Constants | 9-2 |
| Retrieving the Timebase and Flatness-Correction Constants | 9-2 |
| Retrieving the A12 Step-Gain-Correction Constants | 9-3 |
| A16 Memory Reset | 9-5 |
| Performing an A16 Memory Reset | 9-5 |
| Instrument Response after Memory Reset | 9-6 |
| Spectrum Analyzer Recovery after a A16 Memory Loss | 9-7 |
| Resetting the Spectrum Analyzer Power-On Units | 9-8 |
| Reloading the Timebase and Flatness Correction Constants | 9-8 |
| Reloading the A12 Step-Gain-Correction Constants | 9-10 |
| Instrument Recalibration after Reloading the Correction Constants | 9-10 |
| 10. Softkey Descriptions | |
| Introduction | 10-1 |
| Calibration, Service, and Diagnostic Softkey Functions | 10-1 |
| [CAL] Softkey Organization | 10-1 |
| Passcodes | 10-3 |
| Entering A Passcode | 10-3 |
| Understanding Instrument Correction Data | 10-4 |
| Self-Calibration Correction Factors | 10-4 |
| Service-Calibration Correction Constants | 10-4 |

Figures

| | |
|---|------|
| 2-1. Frequency Response Setup | 2-3 |
| 2-2. First LO Distribution Amplifier Adjustment Setup | 2-9 |
| 2-3. BITG Power Level Adjustment Setup | 2-11 |
| 2-4. BITG Power Level Adjustment Locations | 2-11 |
| 2-5. Frequency Tracking Range Setup | 2-14 |
| 2-6. Tracking Oscillator Adjustment Setup | 2-15 |
| 9-1. Location of U104 on the A16 Assembly | 9-6 |
| 10-1. Calibration, Service, and Diagnostic Softkey Tree | 10-2 |

Tables

| | |
|---|------|
| 2-1. Frequency Response Errors | 2-6 |
| 2-2. Tracking Oscillator Range Centering | 2-17 |
| 4-2. HP 8594A Assembly-Level Replaceable Parts | 4-2 |
| 4-3. Firmware History | 4-5 |
| 9-1. RTXO Timebase Correction Constant (Instruments without Option 004) . . | 9-4 |
| 9-2. Frequency-Response Correction Constants—Band 0 | 9-4 |
| 9-3. A12 Step-Attenuator Correction Constants | 9-4 |

General Information

Introduction

The standard HP 8594A Portable Spectrum Analyzer covers a frequency range of 9 kHz to 2.9 GHz with synthesizer-like frequency accuracy.

A memory card reader allows the analyzer to use downloadable software programs. The functional "personality" of the HP 8594A can also be altered using the memory card reader. This feature provides the user with tone instrument that can perform the function of other types of microwave test equipment. The following options may be installed in the HP 8594A Spectrum Analyzer:

Option 004, Precision Frequency Reference, provides a precision 10 MHz reference output at the rear frame.

Option 021, HP-IB, allows the HP 8594A Spectrum Analyzer to be controlled by a computer via HP-IB. An input connector for an external keyboard is also provided.

Option 023, RS-232, allows the HP 8594A Spectrum Analyzer to be controlled by a computer via an RS-232 interface bus. An input connector for an external keyboard is also provided.

Option 009, LO Output on Rear Panel, provides local oscillator output and sweep + tune output at the rear panel for use with external tracking generators.

Option 010, Tracking Generator, provides a built-in tracking generator for the HP 8595A Spectrum Analyzer.

Option 101, Fast Time Domain Sweeps, provides fast analog-to-digital conversion of data for sweep times to 20 μ s in zero span.

Option 102, AM/FM Speaker and TV Sync Trigger, enables the user to listen to a demodulated signal using either amplitude or frequency demodulation. It also allows the user to trigger on a selected line of a video picture frame.

Option 103, Quasi-Peak Detector and AM/FM Demodulator, enables the user to make automatic or manual quasi-peak measurements, to listen to a demodulated signal, and to use amplitude or frequency demodulation.

Option 105, Time-Gated Spectrum Analysis, allow the user to selectively measure the spectrum of signals that may overlap in the frequency domain, but be separated in the time domain.

Further information about the HP 8594A Spectrum Analyzer, and all its available options and accessories, is provided in "Introducing the Spectrum Analyzer," Chapter 1, of the *HP 8594A/8595A Spectrum Analyzer Installation and Verification Manual*.

HP 8594A to HP 8593A Spectrum Analyzer Similarities

The HP 8594A Spectrum Analyzer is equal to Band 0 of the HP 8593A Spectrum Analyzer. The two spectrum analyzers share many of the same assemblies, resulting in few differences. The HP 8594A Spectrum Analyzer unique assemblies are as follows:

- A3A5 Switchable dc Block Attenuator assembly, replaces A3A5 Attenuator assembly
- A3A6 Lowband Mixer assembly, replaces A3A6 Dual Mixer assembly
- A7 Analog Interface assembly, modified A7 assembly; the dc to dc Converter and RF Switch, Comb Generator, First Converter, and YTF Drivers are removed.
- Firmware, 512 Kbyte ROMs, with new features:
 - Selectable power on state
 - Time Gated Spectrum Analyzer commands
 - ac/dc couple
 - Ampcor editor
 - Limit lines enhanced

How to Use the Preliminary Service Information

The Preliminary Service Information is designed to be used in addition to the *HP 8593A Portable Spectrum Analyzer Service Manual* until the *HP 8594A Portable Spectrum Analyzer Service Manual* is available.

When servicing a HP 8594A Spectrum Analyzer use the *HP 8593A Portable Spectrum Analyzer Service Manual*, HP part number 08593-90006 in addition to the following Preliminary Service Information:

- **Chapter 2, Adjustment Procedures.** The adjustment procedures contained in this packet are unique to the HP 8594A Portable Spectrum Analyzer and are intended to be used in addition to the adjustment procedures in the Service Manual.
- **Chapter 4, Replaceable Parts.** Lists the HP 8594A Spectrum Analyzer assembly level replaceable parts. Tables 4-2 and 4-3 replace Tables 4-2 and 4-3 of the Service Manual.
- **Chapter 6, General Troubleshooting.** Foldout 6-1, "HP 8594A RF Section, Overall Block Diagram" and Foldout 6-2, "HP 8594A IF/Control, Overall Block Diagram" replace Foldouts 6-1 and 6-2 of the Service Manual.
- **Chapter 9, Control/Display Section Troubleshooting.** Replace chapter 9 of the Service Manual.
- **Chapter 10, Softkey Descriptions.** Replace pages 10-1 through 10-5 of the Service Manual.

Adjustment Procedures

Introduction

The adjustment procedures in this Preliminary Service Information Packet are used in addition to the procedures given in the *HP 8593A Service Manual*. After the combined adjustment procedures have been performed, the spectrum analyzer's performance will meet the specifications described in Table 1-1 of the *HP 8594A/8595A Spectrum Analyzer Installation and Verification Manual*. If one or more spectrum analyzer assemblies have been replaced or repaired, perform the related adjustment procedures before performing the operation verification. Refer to Table 6-2 in the *HP 8593A Portable Spectrum Analyzer Service Manual* for a list of the adjustments required when an assembly is replaced or repaired. To ensure that the instrument meets all of its specifications, the adjustments must be performed in the order listed.

Most adjustments require access to the interior of the spectrum analyzer.

Commands within parenthesis after a softkey, for example (ON), are used throughout this chapter to indicate the part of a softkey that should be underlined when the key is pressed.

Warning



The spectrum analyzer contains potentially hazardous voltages. Refer to the safety symbols provided on the spectrum analyzer, and in the general safety instructions in the Service Manual, before operating the unit with the cover removed. Ensure that safety instructions are strictly followed. Failure to do so can result in severe or fatal injury.

15. Frequency Response

Description

The frequency response (flatness) of the spectrum analyzer is measured with corrections off. The flatness data is then entered into the spectrum analyzer using the **SERVICE CAL** functions. The error corrections are stored in battery backed RAM on the A16 Processor/Video Assembly.

Equipment

Test Equipment

| | |
|--|------------|
| Synthesized Sweeper | HP 8340A/B |
| Measuring Receiver (used as a power meter) | HP 8902A |
| Power Sensor | HP 8482A |
| Power Splitter | HP 11667B |

Adapters

| | |
|--------------------------------|--------------|
| Type N(m) to APC 3.5(m) | HP 1250-1743 |
| Type N(f) to APC 3.5(m) | HP 1250-1750 |
| APC 3.5(f) to APC 3.5(f) | HP 5061-5311 |

Cable

| | |
|-------------------------------|--------------|
| APC 3.5, 91 cm (36 in.) | HP 8120-4921 |
|-------------------------------|--------------|

Adjustment Procedure

Measuring Uncorrected Flatness

1. Zero and calibrate the measuring receiver and sensor LOG mode as described in the *HP 8902A Operation Manual*.
2. Connect the equipment as shown in Figure 2-1.
3. Press INSTRUMENT PRESET on the synthesized sweeper. Set the synthesized sweeper controls as follows:

| | |
|-------------------|---------|
| CW | 300 MHz |
| FREQ STEP | 72 MHz |
| POWER LEVEL | -3 dBm |

4. Press the following spectrum analyzer keys:

PRESET

CAL MORE 1 of 3

CORRECT ON OFF (OFF)

15. Frequency Response

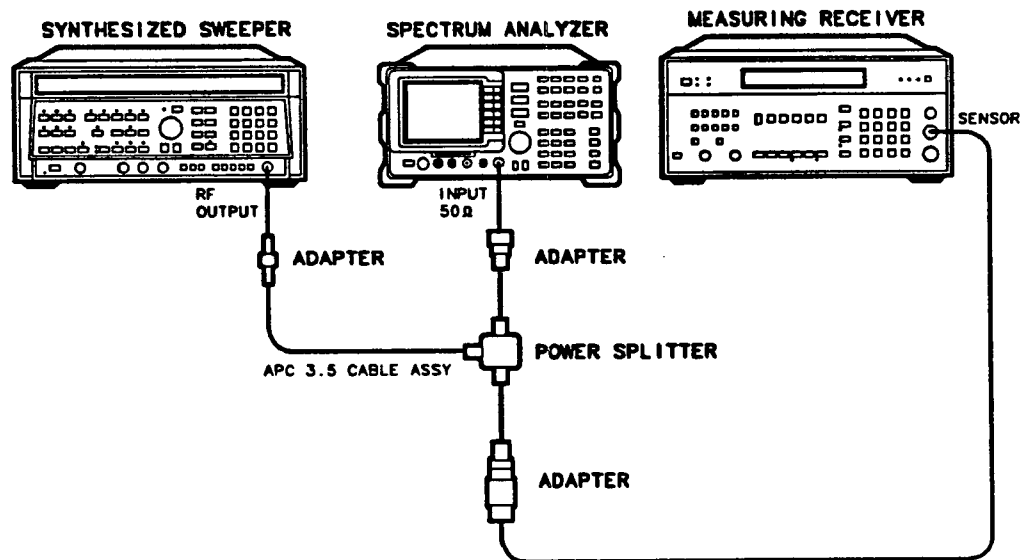


Figure 2-1. Frequency Response Setup

5. Set the spectrum analyzer controls by pressing the following keys:

FREQUENCY 300 **MHz**
CF STEP AUTO MAN (MAN) 72 **MHz**
SPAN 5 **MHz**
AMPLITUDE 0 **dBm**
SCALE LOG LIN (LOG) 10 **dB**
BW 1 **MHz**
PEAK SEARCH
SIGNAL TRACK (ON)

6. Adjust the synthesized sweeper POWER LEVEL for a MKR-TRK amplitude reading of $-9 \text{ dBm} \pm 0.1 \text{ dB}$ on the spectrum analyzer.
7. Press RATIO on the measuring receiver.
8. Set the synthesized sweeper CW to 12 MHz.
9. Press the following spectrum analyzer keys:
FREQUENCY 12 **MHz**
10. Adjust the synthesized sweeper POWER LEVEL for a MKR-TRK amplitude reading of $-9 \text{ dBm} \pm 0.1 \text{ dB}$ on the spectrum analyzer.
11. Record the power ratio displayed on the measuring receiver in Column 2 of Table 2-1.
12. On the synthesized sweeper, press CW and STEP UP.

15. Frequency Response

13. On the spectrum analyzer, press the following keys:

MKR **MARKERS OFF**
FREQUENCY **(↑)**
PEAK SEARCH
SIGNAL TRACK **(ON)**

14. Step through the remaining frequencies listed in Table 2-1. At each new frequency, repeat steps 10 through 13 and enter the appropriate power sensor cal factor into the measuring receiver as listed in Column 3 of Table 2-1.

Entering Flatness Correction Data

15. Enter the passcode by pressing the following spectrum analyzer keys:

PRESET
FREQUENCY **-2001** **(Hz)**

16. To access the flatness correction menu, press the following spectrum analyzer keys:

CAL **MORE 1 of 3** **MORE 2 of 3**
SERVICE CAL
FLATNESS DATA

Note



Perform the next step *only if* all the flatness correction data must be replaced in memory due to the repair or replacement of the A16 Processor/Video assembly.

17. To initialize the area of memory where the flatness correction data is stored, press the following keys:

INIT FLT
PRESET
FREQUENCY **-2001** **(Hz)**
CAL **MORE 1 of 3** **MORE 2 of 3**
SERVICE CAL
FLATNESS DATA

18. To enter flatness corrections, press **EDIT FLATNESS**.

19. The frequency of the first data point, 12.00 MHz, will be displayed in the active function block of the spectrum analyzer display.

20. Use the data keys on the spectrum analyzer to enter the amplitude value for 12 MHz from Column 2 of Table 2-1, Frequency Response Errors. Terminate the entry with the **(dB)** key. When entering negative amplitude values, precede the numeric entry with the **(-)** and **(dB)** keys or the **(-dB)** key.

Each entry is displayed briefly before the data-entry routine steps to the next data point.

Note

The **BK SP** (backspace) key may be used to correct any entry if the terminator, **dB** or **-dB** key has *not* been pressed. Re-enter the data if the terminator has been pressed.

21. Press **↑** (step up) and enter the data from Column 2 of the "Frequency Response Errors" tables for the next data point as described in step 19.
22. Repeat step 20 for the remaining flatness correction data points listed in the "Frequency Response Errors" tables.

Note

At each point, verify that the frequency listed in the active function block corresponds to the frequency at which the data was taken. If these two frequencies do not correspond, press **↑** (step up) or **↓** (step down) until the proper frequency is displayed in the active function block.

If some data is incorrect after entering all of the data from the "Frequency Response Errors" tables, select the incorrect data point using **↑** (step up) or **↓** (step down) and re-enter the proper data.

23. After all corrections have been input, press **STORE FLATNESS** to store the correction data in nonvolatile memory. The instrument will automatically preset and display **CAL: DONE** in the active function block of the spectrum analyzer.

15. Frequency Response

Table 2-1. Frequency Response Errors

| Column 1 Frequency (GHz) | Column 2 HP 8902A Reading (dB) | Column 3 CAL FACTOR Frequency (GHz) |
|---|---|--|
| 0.012 | _____ | 0.05 |
| 0.084 | _____ | 0.05 |
| 0.156 | _____ | 0.05 |
| 0.228 | _____ | 0.05 |
| 0.300 | _____ | 0.05 |
| 0.372 | _____ | 0.05 |
| 0.444 | _____ | 0.05 |
| 0.516 | _____ | 0.05 |
| 0.588 | _____ | 0.05 |
| 0.660 | _____ | 0.05 |
| 0.732 | _____ | 0.05 |
| 0.804 | _____ | 0.05 |
| 0.876 | _____ | 0.05 |
| 0.948 | _____ | 0.05 |
| 1.020 | _____ | 0.05 |
| 1.092 | _____ | 2.0 |
| 1.164 | _____ | 2.0 |
| 1.236 | _____ | 2.0 |
| 1.308 | _____ | 2.0 |
| 1.380 | _____ | 2.0 |
| 1.452 | _____ | 2.0 |
| 1.524 | _____ | 2.0 |
| 1.596 | _____ | 2.0 |
| 1.668 | _____ | 2.0 |
| 1.740 | _____ | 2.0 |
| 1.812 | _____ | 2.0 |
| 1.884 | _____ | 2.0 |

15. Frequency Response

Table 2-1. Frequency Response Errors (continued)

| Column 1 Frequency (GHz) | Column 2 HP 8902A Reading (dB) | Column 3 CAL FACTOR Frequency (GHz) |
|---|---|--|
| 1.956 | _____ | 2.0 |
| 2.028 | _____ | 2.0 |
| 2.100 | _____ | 2.0 |
| 2.172 | _____ | 2.0 |
| 2.244 | _____ | 2.0 |
| 2.316 | _____ | 2.0 |
| 2.388 | _____ | 2.0 |
| 2.460 | _____ | 2.0 |
| 2.532 | _____ | 3.0 |
| 2.604 | _____ | 3.0 |
| 2.676 | _____ | 3.0 |
| 2.748 | _____ | 3.0 |
| 2.820 | _____ | 3.0 |
| 2.892 | _____ | 3.0 |

16. First LO Distribution Amplifier Adjustment (Option 009, 010)

Assembly Adjusted

A10 Tracking Generator Control assembly

Related Performance Test

There is no related performance test.

Description

The gate bias for the A3A14 LO Distribution Amplifier assembly is adjusted to the value specified on a label on the RF section. The LO power is adjusted so that the LO SENSE voltage is 6 mV more negative than the value specified on the label. The adjustments are made on the A10 Tracking Generator Control assembly, which is located in the card cage.

Equipment

| | |
|--------------------------|----------|
| Measuring Receiver | HP 8902A |
| Digital Voltmeter | HP 3456A |
| Power Sensor | HP 8485A |
| DVM Test Leads | HP 34118 |

Adapters

| | |
|------------------------|-----------|
| Dual Banana Plug | 1251-2816 |
|------------------------|-----------|

Procedure

1. Set the spectrum analyzer **LINE** switch to off, then disconnect the line cord. Remove the cover assembly, then reconnect the line cord.
2. Remove the 50 Ω termination from the spectrum-analyzer rear-panel LO OUTPUT connector.
3. Connect the positive DVM test lead to A10TP5, GB (gate bias). Connect the negative DVM test lead to A10TP2, AGND (analog ground). See Figure 2-2.
4. Set the digital voltmeter controls as follows:

| | |
|------------------|----------|
| FUNCTION | DC VOLTS |
| RANGE | 10 V |
| RESOLUTION | 1 mV |
5. Set the spectrum analyzer **LINE** switch to on.
6. Adjust A10R29 (GATE) for a digital voltmeter reading within 5 mV of the GATE (gate bias) voltage printed on the RF section label.
7. Zero and calibrate the measuring receiver and power sensor in LOG mode. (Power levels read in dBm.) Enter the power sensor's 5 GHz cal factor into the measuring receiver.
8. Connect the power sensor to the spectrum analyzer's LO OUTPUT.
9. On the spectrum analyzer, press **PRESET**, **SPAN**, **ZERO SPAN**, **FREQUENCY**, 5, **GHz**.

16. First LO Distribution Amplifier Adjustment (Option 009, 010)

10. Connect the positive DVM test lead to A10TP4, LOS (LO sense).
11. Note the SENS (LO sense) voltage printed on the RF section label. Adjust A10R25, LO PWR (LO power) until the DVM reads 6 mV more negative than the SENS voltage printed on the RF section label. For example, if the SENS voltage is -170 mV, adjust A10R25 until the DVM reads -176 mV.
12. Check that the measuring receiver power level reads greater than $+12$ dBm.
13. Disconnect the power sensor from LO OUTPUT, then reconnect the 50Ω termination to LO OUTPUT.
14. Disconnect the DVM leads from A10TP4 and A10TP2.

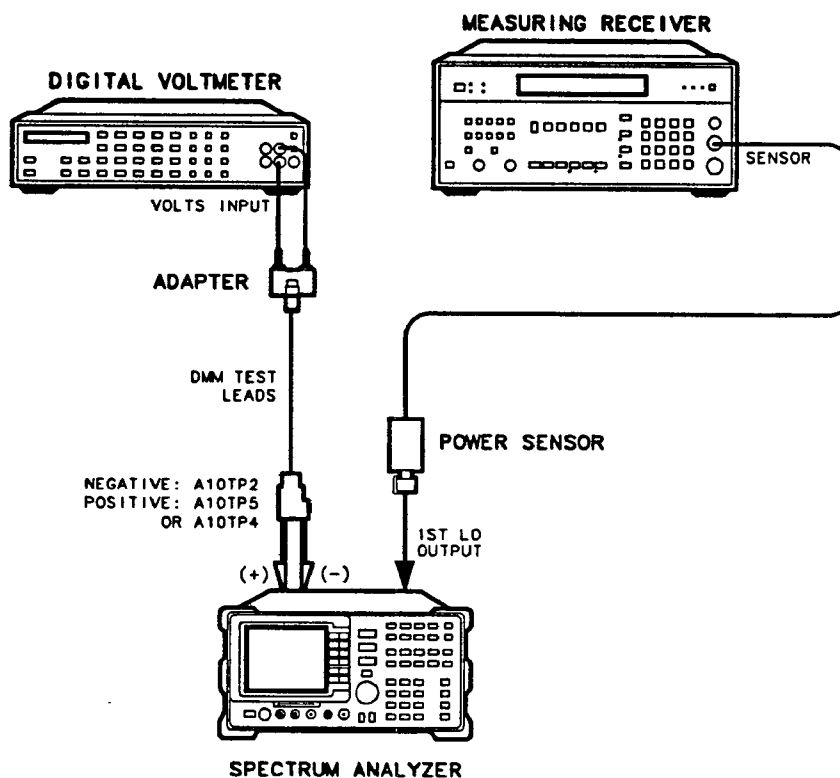


Figure 2-2. First LO Distribution Amplifier Adjustment Setup

17. BITG Power Level Adjustments (Option 009, 010)

Assembly Adjusted

A3A15 Built-In Tracking Generator (BITG) assembly

Related Performance Test

Absolute Amplitude and Vernier Accuracy

Description

The BITG has two adjustments for setting the output power. The -10 dB ADJ (A3A15R13) sets the power level when the source power level is set to -10 dBm, and the 0 dB ADJ (A3A15R18) sets the power level when the source power level is set to 0 dBm. The -10 dB ADJ acts as an offset adjustment, while 0 dB ADJ acts as a gain adjustment.

These adjustments are set in the factory for a 10 dB difference in output power between the -10 dBm and 0 dBm source power level settings. When installing a replacement BITG, it should only be necessary to adjust -10 dB ADJ (the offset adjustment) to account for variations in cable loss from the BITG to the RF OUT 50Ω connector. This adjustment is done at a 0 dBm source power level setting. This ensures that the absolute power level with a 0 dBm source power level setting is 0 dBm, with little or no affect on the vernier accuracy.

In some cases, the power level at the -10 dBm source power level setting might be out of tolerance. In such cases, the -10 dB ADJ is set at a source power level setting of -10 dBm and the 0 dB ADJ is set at a source power level setting of 0 dBm. These two adjustments must be repeated until the power level at the two settings are within the given tolerances.

Equipment

Measuring Receiver HP 8902A
Power Sensor HP 8482A

Cable

Type N, 62 cm (24 in.) HP 11500B/C

Procedure

1. Set the spectrum analyzer **LINE** switch to off. Disconnect the line cord. Remove the cover assembly, then reconnect the line cord.
2. Connect the cable between the RF OUT 50Ω and INPUT 50Ω connectors on the spectrum analyzer.
3. Press **PRESET** on the spectrum analyzer and set the controls as follows:
CENTER FREQ 300 MHz
SPAN 0 Hz
4. On the spectrum analyzer, press the following keys:

BW 10 **kHz**
AUX CTRL **TRACK GEN** **SRC PWR ON OFF** (ON) 5 **-dBm**

17. BITG Power Level Adjustments (Option 009, 010)

5. On the spectrum analyzer, press **TRACKING PEAK**. Wait for the **PEAKING** message to disappear.
6. Zero and calibrate the measuring-receiver/power-sensor combination in log mode (power levels readout in dBm). Enter the power sensor's 300 MHz cal factor into the measuring receiver.
7. Disconnect the cable from the RF OUT 50 Ω connector, then connect the power sensor to the RF OUT 50 Ω connector. See Figure 2-3.

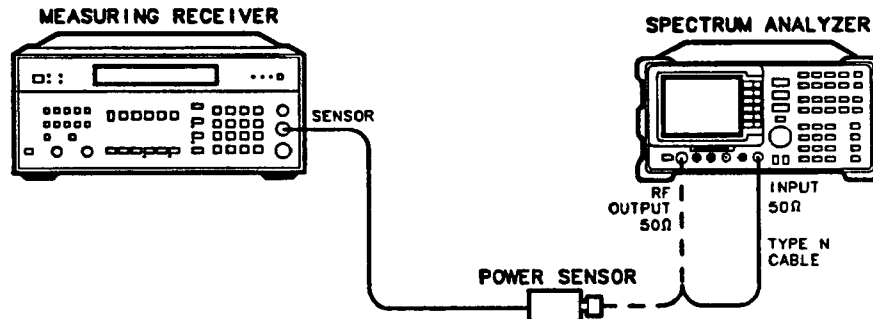


Figure 2-3. BITG Power Level Adjustment Setup

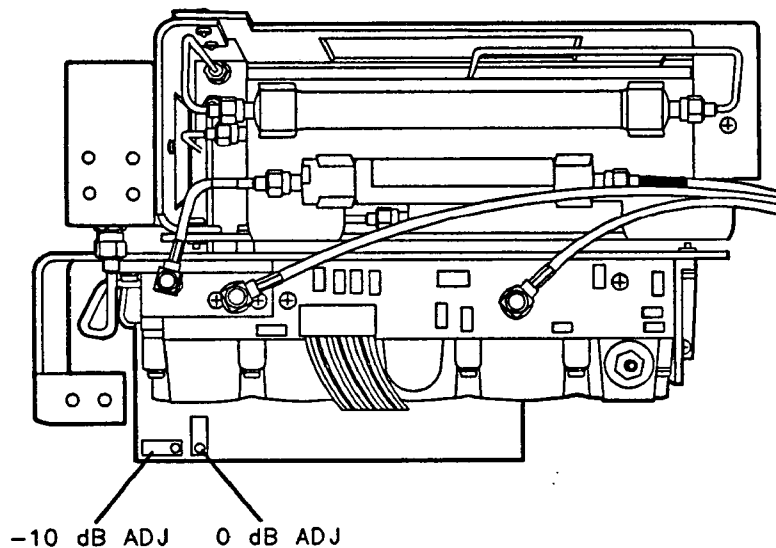


Figure 2-4. BITG Power Level Adjustment Locations

8. On the spectrum analyzer, press **SRC PWR ON OFF** (ON), 0, **dBm**, **SGL SWP**.
9. Adjust **-10 dB ADJ** (A3A15R13) for a 0 dBm \pm 0.05 dB reading on the measuring receiver. Refer to Figure 2-4 for adjustment location.
10. Set the SRC PWR level to **-10 dBm**. Note the power displayed on the measuring receiver.
If the power level is **-9.77 dBm** to **-10.23 dBm**, then the adjustment is complete. If the power level is not within the range, then continue with steps 11 through 13.

Power at **-10 dBm** Setting _____ dBm

17. BITG Power Level Adjustments (Option 009, 010)

Note

The next steps should be performed *only* if the power level noted in step 10 was outside the range of $-10 \text{ dBm} \pm 0.23 \text{ dB}$.

11. With the SRC PWR level set to -10 dBm , adjust -10 dB ADJ (A3A15R13) for a $-10 \text{ dBm} \pm 0.1 \text{ dB}$ reading on the measuring receiver. Refer to Figure 2-4 for adjustment location.
12. Set the SRC PWR level to 0 dBm . Adjust 0 dB ADJ (A3A15R18) for a $0 \text{ dBm} \pm 0.2 \text{ dB}$ reading on the measuring receiver. Refer to Figure 2-4 for adjustment location.
13. Repeat steps 11 and 12 until the output power level is within the tolerances indicated at both the -10 dBm and 0 dBm SRC PWR level settings. Adjust -10 dB ADJ only with the SRC POWER level set to -10 dBm , and adjust 0 dB ADJ only with the SRC PWR level set to 0 dBm .

18. Tracking Oscillator Adjustment (Option 009, 010)

Note

This is *not* a routine adjustment. This adjustment should only be performed if the range of either the automatic tracking peak adjustment (**TRACKING PEAK**) or the manual tracking peak adjustment (**MAN TRK ADJUST**) is insufficient to peak a signal.

Assembly Adjusted

A10 Tracking Generator assembly

Related Performance Test

There is no related performance test.

Description

The centering of the tracking oscillator range is adjusted in the factory to ensure that the tracking adjustment will work properly. Over a period of 5 years, however, the center frequency of the tracking oscillator range may drift outside of acceptable limits.

The tracking oscillator range is checked first. A tracking peak test is performed and the output frequency is recorded. Then the manual tracking adjustment is set to its minimum and maximum values and the output frequency is recorded. The minimum and maximum frequencies are compared to the peaked frequency. If the difference is less than 5 kHz, adjustment is necessary.

The adjustment recenters the tracking oscillator range. The A3 RF assembly is placed in its service position to perform this adjustment. A frequency counter is used to measure the output frequency.

Equipment

| | |
|------------------------------------|-----------|
| Microwave Frequency Counter | HP 5343A |
| 50 Ω Termination | 1810-0118 |
| Alignment Tool, Non-Metallic | 8710-0033 |

Cables

| | |
|---|-----------|
| BNC, 122 cm (48 in.) (2 required) | HP 10503A |
|---|-----------|

Adapters

| | |
|---------------------------------|-----------|
| Type N (f) to APC-3.5 (f) | 1250-1745 |
| Type N (m) to BNC (f) | 1250-1476 |

18. Tracking Oscillator Adjustment (Option 009, 010)

Procedure

Frequency Tracking Range Check

1. Connect a cable between the RF OUT 50 Ω and INPUT 50 Ω connectors on the spectrum analyzer.
2. Remove the rear-panel jumper that is between the 10 MHz REF OUTPUT and EXT REF IN jacks. Connect the frequency counter FREQ STD OUT connector to the spectrum analyzer EXT REF IN connector as shown in Figure 2-5.

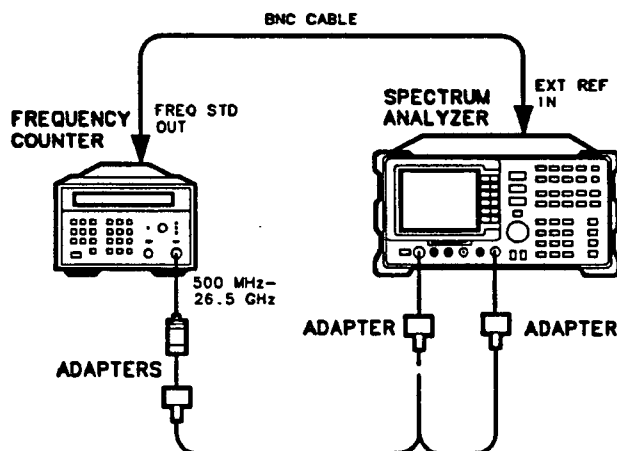


Figure 2-5. Frequency Tracking Range Setup

3. Press **PRESET** on the spectrum analyzer, then set the controls as follows:

| | | |
|-------------|-------|---------|
| CENTER FREQ | | 500 MHz |
| SPAN | | 0 Hz |
4. On the spectrum analyzer, press the following key:

| | | |
|-----------------|------------------|--|
| BW | 10 | kHz |
| AUX CTRL | TRACK GEN | SRC PWR ON OFF (ON) 5 -dBm |
5. On the spectrum analyzer press **TRACKING PEAK**. Wait for the **PEAKING** message to disappear.
6. Set the microwave frequency counter controls as follows:

| | | |
|---------------------------------------|-------|--------------------|
| SAMPLE RATE | | Midrange |
| 10 Hz-500 MHz/500 MHz-26.5 GHz Switch | | 500 MHz - 26.5 GHz |
| RESOLUTION | | 1 Hz |
7. Connect the RF OUT 50 Ω connector to the microwave frequency counter input as shown in Figure 2-5.
8. Wait for the microwave frequency counter to gate two or three times, then record the microwave frequency counter reading below as the peaked frequency:

Peaked Frequency: _____ MHz

18. Tracking Oscillator Adjustment (Option 009, 010)

9. On the spectrum analyzer, press **MAN TRK ADJUST**, 4095, **ENTER**. Wait for the microwave frequency counter to gate two or three times, then record the microwave frequency counter reading below as the minimum frequency:

Minimum Frequency: _____ MHz

10. On the spectrum analyzer, press **MAN TRK ADJUST**, 0, **ENTER**. Wait for the microwave frequency counter to gate two or three times, then record the microwave frequency counter reading below as the maximum frequency:

Maximum Frequency: _____ MHz

11. If the absolute value of the difference between either the minimum or maximum frequency and the peaked frequency is less than 5 kHz, proceed with the adjustment procedure below. If the differences are greater than 5 kHz, no adjustment is necessary.
12. Disconnect the cable from the EXT REF IN connector, then replace the rear-panel jumper.

Adjustment Procedure

13. Remove the A3 RF Section assembly as described in Chapter 3 of this supplement. With A3 sitting on top of the A2 Display assembly, reconnect all cables from A3 to their respective jacks on A7, A9, A25, and A10. Reconnect W40 to A3A15J8. Connect the 50Ω termination to the end of W42.
14. Connect the equipment as shown in Figure 2-6. The microwave frequency counter provides the frequency reference for the spectrum analyzer.

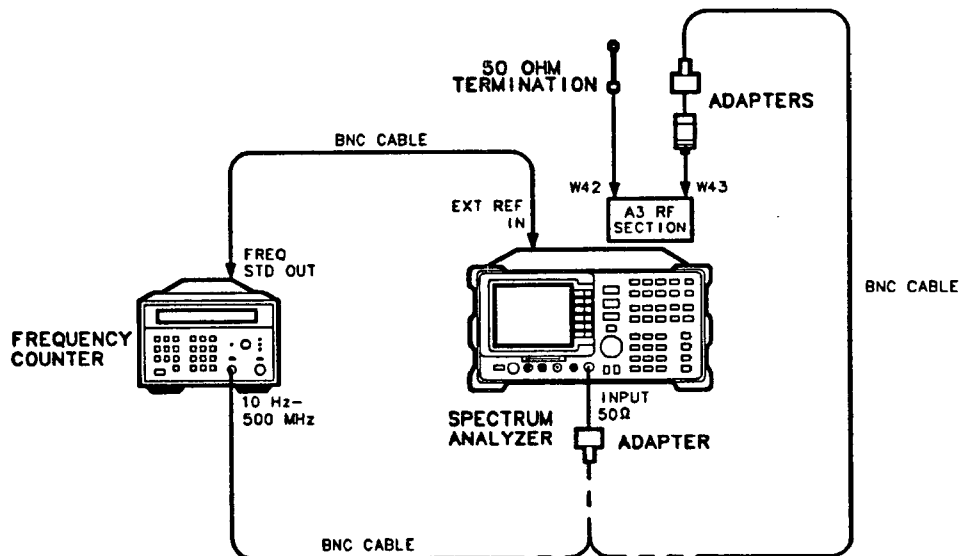


Figure 2-6. Tracking Oscillator Adjustment Setup

15. Set the spectrum analyzer **LINE** switch to on. Press **AUX CTRL**, **TRACK GEN**, **SRC PWR ON OFF** (ON). Allow the spectrum analyzer to warm up for at least 5 minutes. Set the controls as follows:

CENTER FREQ 300 MHz
 SPAN 0 Hz

18. Tracking Oscillator Adjustment (Option 009, 010)

16. Set the microwave frequency counter controls as follows:

SAMPLE RATE Fully CCW
10 Hz-500 MHz/500 MHz-26.5 GHz Switch 10 Hz-500 MHz
50Ω - 1 MΩ Switch 50Ω

17. Remove the screw used to seal the tracking oscillator adjustment.

18. On the spectrum analyzer, press **AUX CTRL**, **TRACK GEN**, **MAN TRK ADJUST**, 0, **Hz**.

19. Record the microwave frequency counter reading in Table 2-2 as F1.

20. On the spectrum analyzer, press **MAN TRK ADJUST**, 4095, **Hz**.

21. Record the microwave frequency counter reading in Table 2-2 as F2.

22. Calculate Fcenter as shown below, and record it in Table 2-2.

$$F_{center} = (F1 + F2)/2$$

23. Set SRC TRACK ADJ to 350. This sets the tracking oscillator near the center of its frequency range. (The relationship between the SRC TRACK ADJ DAC number and the output frequency is nonlinear.) Adjust SRC TRACK ADJ until the microwave frequency counter reads Fcenter ±100 Hz.

24. Record the value of SRC TRACK ADJ in Table 2-2.

Note

A3A15C3 (TRK OSC CTR) is rated for a maximum of 10 adjustment cycles. Due to this limitation, adjust TRK OSC CTR only when absolutely necessary.



25. Adjust A3A15C3 (TRK OSC CTR) until the microwave frequency counter reads 300 MHz ±500 Hz.

26. Repeat steps 17 through 24 at least once more until no further adjustment of A3A15C3 is necessary.

27. Set the spectrum analyzer **LINE** switch to off, then replace the screw removed in step 17.

28. Reinstall the A3 RF Section assembly into the spectrum analyzer.

29. Replace the rear-panel jumper between the 10 MHz REF OUTPUT and EXT REF IN connectors.

18. Tracking Oscillator Adjustment (Option 009, 010)

Table 2-2. Tracking Oscillator Range Centering

| N | F1 (MHz) | F2 (MHz) | Fcenter (MHz) | SRC TRACK ADJ Setting |
|----------|---------------------|---------------------|--------------------------|----------------------------------|
| 1 | | | | |
| 2 | | | | |
| 3 | | | | |
| 4 | | | | |
| 5 | | | | |
| 6 | | | | |

Replaceable Parts

Introduction

This chapter contains information for identifying and ordering replacement assemblies for the HP 8594A Spectrum Analyzer.

The following tables are included in this chapter:

- Table 4-2 lists all major assemblies, and all major mechanical and electrical parts that are not part of a major assembly.
- Table 4-3 lists the history of the firmware. This includes the revision dates, part numbers of the ROMs, serial number breaks, and major changes of the firmware.

Refer to chapter 4 of the *HP 8593A Portable Spectrum Analyzer Service Manual* for additional parts identification information.

Table 4-2. HP 8594A Assembly-Level Replaceable Parts

| Reference Designator | HP Part Number | CD | Description |
|----------------------|----------------|----|--|
| A1 | 08594-60004 | 9 | FRONT FRAME ASSEMBLY |
| | 08594-60009 | 4 | FRONT FRAME ASSEMBLY (OPTION 103) |
| A1A1 | 08590-60004 | 5 | BOARD ASSEMBLY, KEYBOARD |
| A1A2 | 0960-0745 | 6 | ROTARY PULSE GENERATOR |
| A1R1 | 08590-60133 | 1 | VOLUME-INTENSITY DUAL-POT ASSEMBLY |
| A2 | 5062-6404 | 7 | CRT DISPLAY ASSEMBLY (CABLES AND SHIELD NOT INCLUDED) |
| A3 | | | FRONT-END ASSEMBLY |
| A3A1 | | | NOT ASSIGNED |
| A3A2 | | | NOT ASSIGNED |
| A3A3 | 0955-0420 | 3 | FILTER LOW PASS 2.9 GHZ SMA |
| A3A4 | 5086-7819 | 0 | SECOND CONVERTER ASSEMBLY |
| A3A5 | 5086-7777 | 8 | ATTENUATOR, 0-70 DB/DC BLOCK |
| A3A6 | 5086-7748 | 9 | LOW BAND MIXER |
| A3A7 | 5086-7833 | 8 | YIG TUNED OSCILLATOR (YTO) 3.0-6.82 GHZ |
| A3A8 | | | NOT ASSIGNED |
| A3A9 | 9135-0252 | 0 | BANDPASS FILTER 321.3 MHZ |
| A3A10 | 0955-0098 | 1 | DIRECTIONAL COUPLER |
| A3A11 | | | NOT ASSIGNED |
| A3A12 | | | NOT ASSIGNED |
| A3A13 | 0955-0204 | 1 | MICROWAVE ISOLATOR 6.6 GHZ MAX |
| A3A14 | 5086-7744 | 0 | FIRST LO DISTRIBUTION AMPLIFIER ASSEMBLY (OPTION 009, 010) |
| A3A15 | 5086-7840 | 7 | TRACKING GENERATOR ASSEMBLY (OPTION 010) |
| A7 | 08594-60001 | 6 | BOARD ASSEMBLY, ANALOG INTERFACE |
| A8 | 0950-1977 | 7 | POWER SUPPLY 100W |
| A9 | 08590-60192 | 2 | BOARD ASSEMBLY, THIRD CONVERTER |
| | 08593-60021 | 9 | BOARD ASSEMBLY, THIRD CONVERTER (OPTION 010) |
| A10 | 5062-6432 | 1 | BOARD ASSEMBLY, TRACKING GENERATOR CONTROL (OPTION 010) |
| | 5062-8219 | 6 | BOARD ASSEMBLY, LODA CONTROL (OPTION 009) |
| A11 | 08590-60195 | 5 | BOARD ASSEMBLY, BANDWIDTH FILTER #1 |
| A12 | 08590-60105 | 7 | BOARD ASSEMBLY, AMPLITUDE CONTROL |
| A13 | 08590-60195 | 5 | BOARD ASSEMBLY, BANDWIDTH FILTER #2 |
| A14 | 08590-60149 | 9 | BOARD ASSEMBLY, LOG AMP |
| A15 | 08591-60017 | 1 | BOARD ASSEMBLY, MOTHERBOARD |
| A16 | 08593-60005 | 9 | BOARD ASSEMBLY, PROCESSOR/VIDEO |
| A17 | 08590-60107 | 9 | BOARD ASSEMBLY, MEMORY CARD (OPTION 003) |
| A18 | | | NOT ASSIGNED |

Table 4-2. HP 8594A Assembly-Level Replaceable Parts

| Reference Designator | HP Part Number | CD | Description |
|----------------------|----------------|----|--|
| A19 | | | NOT ASSIGNED |
| A20 | 08590-60108 | 0 | BOARD ASSEMBLY, HP-IB I-O (OPTION 021) |
| A21 | 08590-60109 | 1 | BOARD ASSEMBLY, RS-232 I-O (OPTION 023) |
| A22 | 1813-0644 | 4 | 10 MHZ, OVEN CONTROLLED CRYSTAL OSCILLATOR (OCXO) (OPTION 004) |
| A23 | | | NOT ASSIGNED |
| A24 | | | NOT ASSIGNED |
| A25 | 08591-60027 | 3 | BOARD ASSEMBLY, COUNTER-LOCK |
| A101 | 5062-7079 | 8 | BOARD ASSEMBLY, FAST TIME DOMAIN SWEEP (OPTION 101), BLACK AND BROWN EXTRACTORS |
| A102 | 5062-1982 | 6 | BOARD ASSEMBLY, AM/FM SPEAKER/TV SYNC TRIGGER (OPTION 102), BLACK AND RED EXTRACTORS |
| A103 | 5062-1983 | 7 | BOARD ASSEMBLY, QUASI PEAK DETECTOR (OPTION 103), BLACK AND ORANGE EXTRACTORS |
| A105 | 5062-7754 | 2 | BOARD ASSEMBLY, TIME GATE (OPTION 105) BLACK AND GREEN EXTRACTORS |
| AT1 | 0955-0122 | 2 | ATTENUATOR, 10 DB |
| AT2 | 1250-2289 | 9 | 50Ω TERMINATION (OPTION 009, 010) |
| B1 | 08590-60166 | 0 | FAN ASSEMBLY |
| BT101 | 1420-0331 | 3 | BATTERY, 3.6 V, 1.7 AMP HOURS |
| F1 | 2110-0709 | 3 | FUSE 5.0A 250V F |
| FL1 | 0955-0405 | 4 | 3.9 GHZ LOW PASS FILTER |
| J1 | 1250-2180 | 3 | CONNECTOR, RF INPUT (INPUT 50Ω), TYPE N (F) |
| J2 | | | NOT ASSIGNED |
| J3 | 1250-2180 | 3 | CONNECTOR, RF OUTPUT, TYPE N (F) (OPTION 010) |
| LS1 | 08590-60134 | 2 | CABLE/SPEAKER ASSY |
| W1 | 5062-4809 | 2 | CABLE ASSY WITH LINE SWITCH, A1 TO A16J9 |
| W2 | 08590-60159 | 1 | CABLE ASSY, DISPLAY VIDEO, A2 TO A16J8 |
| W3 | 08590-60037 | 4 | CABLE ASSY, INTENSITY, WITHOUT POTENTIOMETER, A1R1 TO A2 |
| W4 | 08592-60037 | 6 | CABLE ASSY, KEYBOARD, A1A1J1 TO A16J10 |
| W5 | 5062-4826 | 3 | CABLE ASSY, PROBE POWER, WITHOUT CONNECTOR, A1A1 TO A1 |
| W6 | 1250-1499 | 5 | JUMPER, 10 MHZ REF OUTPUT TO EXT REF IN |
| W7 | 8120-5052 | 6 | CABLE ASSY, CAL OUTPUT, A9J2 TO A1 |
| W8 | 8120-5020 | 8 | CABLE ASSY, 600 MHZ DRVR, A9J5 TO A3A4J4 |
| W9 | 8120-5106 | 1 | CABLE ASSY, 2ND IF, A3A9J2 TO A9J4 |
| W10 | 08592-20056 | 5 | CABLE ASSY, RF INPUT, J1 TO A3A5J1 |
| W11 | 08594-20002 | 3 | CABLE ASSY, ATTENUATOR OUTPUT, A3A5J2 TO A3A3J1 |

Table 4-2. HP 8594A Assembly-Level Replaceable Parts

| Reference Designator | HP Part Number | CD | Description |
|----------------------|----------------|----|--|
| W12 | 08592-60019 | 4 | CABLE ASSY, YTO DRIVER, A7J3 TO A3A7J1 |
| W13 | | | NOT ASSIGNED |
| W14 | 08591-60008 | 2 | CABLE ASSY, COUNTER LOCK/MEMORY CARD CONTROL, A16J2 TO A17J1/A25J4 |
| W15 | 5062-6468 | 3 | CABLE ASSY, PRECISION FREQUENCY REFERENCE POWER, A25J3 TO A22 (OPTION 004) |
| W16 | 08591-60013 | 7 | CABLE ASSY, 10 MHZ OUTPUT, A25J7 TO REAR PANEL |
| W17 | 8120-5056 | 1 | CABLE ASSY, 10 MHZ OUTPUT, A22J1 TO REAR PANEL (OPTION 004) |
| W18 | 08591-60009 | 3 | CABLE ASSY, EXT REF IN, REAR PANEL TO A25J2 |
| W19 | 08591-60012 | 6 | CABLE ASSY, COUNT IF, A25J5 TO A15J18 |
| W20 | 8120-5068 | 5 | CABLE ASSY, SAMPLER FIRST LO, A3A10 TO AT1 |
| W21 | 08591-60010 | 4 | CABLE ASSY, SAMPLER FIRST LO, A3A14J4 TO AT1 |
| W22 | | | CABLE ASSY, 300 MHZ COUNT LOCK DRIVE, A9J3 TO A25J1 |
| W23 | 8120-5058 | 2 | NOT ASSIGNED |
| W24-W26 | | | CABLE ASSY, 2ND CONV. 321.4 MHZ OUT, A3A4J2 TO A3A9J1 |
| W27 | 08594-20003 | 5 | NOT ASSIGNED |
| W28 | | | CABLE ASSY, 2.9 GHZ LPF OUT, A3A3J2 TO A3A6J1 |
| W29 | 08594-20006 | 3 | NOT ASSIGNED |
| | 08594-20005 | 3 | CABLE ASSY, FIRST MIXER LOW BAND, A3A6J2 TO FL1J1 |
| | | 3 | CABLE ASSY, FIRST MIXER LOW BAND, A3A6J2 TO FL1J1 (OPTION 010) |
| W30 | 08592-20049 | 6 | CABLE ASSY, LPF OUTPUT, FL1J2 TO A3A4J1 |
| | 08593-20005 | 6 | CABLE ASSY, LPF OUTPUT, FL1J2 TO A3A4J1 (OPTION 010) |
| W31 | 08594-20008 | 9 | CABLE ASSY, YTO OUTPUT, A3A7J2 TO A3A13J1 |
| | 08593-20004 | 4 | CABLE ASSY, YTO OUTPUT, A3A7J2 TO A3A14J1 (OPTION 009, 010) |
| W32 | 08594-20009 | 1 | CABLE ASSY, ISOLATOR, A3A13J2 TO A3A10 |
| W33 | 08592-20052 | 6 | CABLE ASSY, DIR. CPLR. OUTPUT, A3A10 TO A3A6J4 |
| | 08594-20004 | 5 | CABLE ASSY, 3.0 TO 6.8214 GHz OUTPUT, A3A14J2 TO A3A6J4 (OPTION 009, 010) |
| W34 | | | NOT ASSIGNED |
| W35 | 5062-6434 | 3 | CABLE ASSY, 2ND CONV DRIVER, A7J4 TO A3A4J5 |
| W36 | 5062-4813 | 8 | CABLE ASSY, ATTENUATOR DRIVER, A7J5 TO A3A5 |
| W37 | | | NOT ASSIGNED |
| W38 | 08593-60009 | 9 | CABLE ASSY, LODA DRIVE, A10J2 TO A3A14 (OPTION 010) |

Table 4-2. HP 8594A Assembly-Level Replaceable Parts

| Reference Designator | HP Part Number | CD | Description |
|----------------------|----------------|----|--|
| W39 | 5062-7715 | 5 | CABLE ASSY, TRACKING GENERATOR CONTROL, A10J1 TO A3A15J1 (OPTION 010) |
| W40 | 08593-60015 | 8 | CABLE ASSY, 600 MHz TRACKING GENERATOR DRIVE, A3A15J8 TO A9J7 (OPTION 010) |
| W41 | 08593-20002 | 2 | CABLE ASSY, FIRST LO, A3A14J3 TO A3A15J4 (OPTION 010) |
| W42 | 5062-7710 | 0 | CABLE ASSY, FIRST LO OUTPUT, A3A15J3 TO REAR PANEL (OPTION 009, 010) |
| W43 | 08593-20007 | 7 | CABLE ASSY, RF OUT, J3 TO A3A15J2 (OPTION 010) |
| W44-W46 | | | NOT ASSIGNED |
| W47 | 08560-60001 | 6 | CABLE ASSY, EXT ALC INPUT, REAR PANEL TO A3A15J6 (OPTION 010) |
| W48 | 8120-5401 | | CABLE ASSY, SWEEP + TUNE OUTPUT, A7J8 TO REAR PANEL (OPTION 009) |
| W49-W100 | | | NOT ASSIGNED |
| W101 | 08591-60024 | 9 | CABLE ASSY, TV TRIGGER INPUT, A102J2 TO REAR PANEL (OPTION 102) |
| W102 | 08590-60136 | 4 | CABLE ASSY, VOLUME CONTROL, A1R1 TO A102 (OPTION 102) |
| W103 | | | NOT ASSIGNED |
| W104 | 08590-60135 | 3 | CABLE ASSY, HEADPHONE, A102 TO REAR PANEL (OPTION 102, 103) |

Determine the version of firmware that is installed in the analyzer by cycling the instrument power and looking at the date displayed in the active function block.

Table 4-3. Firmware History

| Revision Date (ddmmyy) | ROM Part Number U6, U7, U23, U24 | Serial Prefix Break |
|------------------------|--|---------------------------|
| 26.10.90 | 08592-80079 08592-80080 08592-80081 08592-80082 | First Serial Prefix 3039A |

Control/Display Section Troubleshooting

Introduction

This chapter provides detailed procedures for safe-guarding the correction data stored in RAM on the A16 Processor/Video assembly, and resetting the spectrum analyzer memory after a repair or replacement of the A16 assembly.

Commands within parenthesis after a softkey, for example (LOG), are used throughout this chapter to indicate the part of a softkey which should be underlined when the key is pressed.

Refer to Chapter 6 for an overview of spectrum analyzer operation and troubleshooting procedures that are useful when starting to troubleshoot a spectrum analyzer failure.

Before You Start Troubleshooting

There are three things you must do *before* you begin troubleshooting an instrument failure:

- Familiarize yourself with the safety symbols marked on the spectrum analyzer, and read the general safety instructions and the symbol definitions given in the front of the Service Manual.
- The spectrum analyzer contains static sensitive components. Read the section entitled "Protection From Electrostatic Discharge" in Chapter 1 of the Service Manual.
- Become familiar with the organization of the troubleshooting information in Chapter 6 of the Service Manual, Chapter 6 of this supplement, and the information in this chapter.

Warning



The spectrum analyzer contains potentially hazardous voltages. Refer to the safety symbols on the spectrum analyzer and the general safety instructions in this manual before operating the unit with the cover removed. Failure to heed the safety precautions can result in severe or fatal injury.

Backing Up Spectrum Analyzer Correction Constants

This section describes how to retrieve the correction-constant data from the instrument memory and record the data as a backup copy. As long as the data remains valid it can be used to recalibrate the instrument quickly after a memory loss. It is recommended that a copy of this data be maintained in the user's records. Procedures for restoring the correction constants to battery-backed RAM memory are also provided in this section.

Note



If the current correction constants are not valid, new correction constants must be generated. Refer to the "10 MHz Reference (Standard)," "Frequency Response," and "Cal Attenuator Error Correction" adjustment procedures in Chapter 2.

The HP 8594A stores the following correction constants in RAM:

- The flatness correction constants, used to correct frequency-response amplitude errors.
- The step-attenuation correction constants, used to correct A12 Amplitude Control step-attenuator errors and provide a relative amplitude reference for the **CAL AMPTD** self-calibration routine.
- The timebase correction constant, used by the DAC that tunes the RTX0 (10 MHz timebase) on the A25 Counter Lock assembly. Instruments with Option 004, Precision Frequency Reference, do not use this correction constant.

Retrieving the Timebase and Flatness-Correction Constants

1. Make a copy of the Correction Constant Backup-Data Record, Table 9-1 through Table 9-3, at the end of this section.
2. Record the date and instrument serial number.
3. Press the following keys:

PRESET

FREQUENCY -37 **Hz**

CAL **MORE 1 of 3** **MORE 2 of 3**

Note

For Option 004 instruments, bypass the next two steps.



4. Press **VERIFY TIMEBASE**.
5. Record the number that is displayed in the active-function block in Table 9-1.

6. Press the following keys:

SERVICE CAL

FLATNESS DATA

EDIT FLATNESS

7. The signal trace represents the frequency-response (flatness) correction-constant data. The active-function block displays the frequency response error, in dB, for 12 MHz.
8. Record the frequency-response error for 12 MHz in Table 9-2.
9. Press **↑**.
10. Record the next frequency-response error in Table 9-2.
11. Repeat the previous two steps until all frequency-response errors are recorded in Table 9-2. Use **↓** to view previous data points.
12. Press **EXIT** when all frequency-response errors have been recorded.

Retrieving the A12 Step-Gain-Correction Constants

1. Press the following keys to view the current A12 step-attenuator correction constants.

CAL **MORE 1 of 3** **MORE 2 of 3**

SERVICE DIAG

DISPLAY CAL DATA

2. Look at the first five entries in the ERR column; they are the amplitude errors for the 1 dB, 2 dB, 4 dB, 8 dB, and 16 dB step-attenuators.
3. Record the amplitude errors (correction constants) for the five step-attenuators in Table 9-3.

File the completed copy of the Correction-Constant Data Record for future reference.

Correction Constant Backup-Data Record

| | |
|-------------------------|------------|
| Hewlett-Packard Company | |
| Model HP 8594A | |
| Serial No. _____ | Date _____ |

Table 9-1.

RTXO Timebase Correction Constant (Instruments without Option 004)

| | |
|----------|-------|
| Timebase | _____ |
|----------|-------|

Table 9-2. Frequency-Response Correction Constants—Band 0

| Frequency (GHz) | Error (dB) | Frequency (GHz) | Error (dB) | Frequency (GHz) | Error (dB) | Frequency (GHz) | Error (dB) |
|-----------------|------------|-----------------|------------|-----------------|------------|-----------------|------------|
| 0.012 | _____ | 0.804 | _____ | 1.596 | _____ | 2.388 | _____ |
| 0.084 | _____ | 0.876 | _____ | 1.668 | _____ | 2.460 | _____ |
| 0.156 | _____ | 0.948 | _____ | 1.740 | _____ | 2.532 | _____ |
| 0.228 | _____ | 1.020 | _____ | 1.812 | _____ | 2.604 | _____ |
| 0.300 | _____ | 1.092 | _____ | 1.884 | _____ | 2.676 | _____ |
| 0.372 | _____ | 1.164 | _____ | 1.956 | _____ | 2.748 | _____ |
| 0.444 | _____ | 1.236 | _____ | 2.028 | _____ | 2.820 | _____ |
| 0.516 | _____ | 1.308 | _____ | 2.100 | _____ | 2.892 | _____ |
| 0.588 | _____ | 1.380 | _____ | 2.172 | _____ | | _____ |
| 0.660 | _____ | 1.452 | _____ | 2.244 | _____ | | _____ |
| 0.732 | _____ | 1.524 | _____ | 2.316 | _____ | | _____ |

Table 9-3. A12 Step-Attenuator Correction Constants

| Attenuator Step | ERR (dB) | Attenuator Step | ERR (dB) |
|-----------------|----------|-----------------|----------|
| 1 dB | _____ | 4 dB | _____ |
| 2 dB | _____ | 8 dB | _____ |
| | | 16 dB | _____ |

A16 Memory Reset

Note



Before performing a memory reset, check the status LEDs on the A16 assembly at instrument power-up. If the A16 LEDs, DS1 through DS16, do not cycle on and off at power-up, there is a problem with the A16 central processing unit (CPU) that a memory reset will not correct. (It is normal for DS13 to remain on after pressing **PRESET**.)

The A16 memory may contain erroneous information that causes the A16 CPU to malfunction. The following are possible memory-failure symptoms.

- A random display periodically flashes on-screen. Refer to the “Symptoms of a Dead Battery” section in this chapter.
- Following instrument preset, the error message FAIL: 0330 0000000000 is displayed. Refer to the “Symptoms of a Dead Battery” section in Chapter 6.
- The spectrum analyzer halts during power-up or when **PRESET** is used.

A CPU malfunction can be caused by a user's accidentally writing to a sensitive memory location or by a defective down-loadable program (DLP). The spectrum analyzer may also appear to be defective because the CPU is making extreme instrument corrections based on erroneous calibration data.

Performing an A16 Memory Reset

There are three levels of memory reset; each level has a greater effect on the instrument memory.

1. Before doing a memory reset, enter the -37 Hz passcode and use **DEFAULT CAL DATA** to bypass the current calibration data.
 - If the instrument functions properly, recalibrate it using the self-calibration routines.
 - If the instrument still does not function properly, continue with the next level of memory reset.
2. Use **DISPOSE USER MEMORY** to eliminate all programs stored in user memory.

All down-loaded programs (DLPs) that are stored in user memory must be reloaded after using this function.

Refer to the *HP 8594A/8595A Installation and Verification Manual* for information about **DISPOSE USER MEMORY**.

Caution



The following memory-reset procedure is the most extreme level of memory reset. It should be performed only if all other attempts at solving the problem have failed. A memory reset will delete all the correction constants stored in RAM. New correction constants must be generated if the original correction constants were not saved before the spectrum analyzer failed.

Use the procedures in “Backing Up the Correction Constants” to retrieve the correction constants.

3. Use the following procedure to erase all RAM memory. This procedure disables the battery-backed RAM by shorting the holding capacitor, C106, that is in parallel with the BT101 Battery.

1. Turn the spectrum analyzer off and disconnect line power.
2. Remove the instrument cover. Refer to the instrument cover removal procedure in Chapter 3.
3. Position the spectrum analyzer so that the bottom side is facing up.
4. Locate U104 on the A16 assembly. Refer to Figure 9-1.

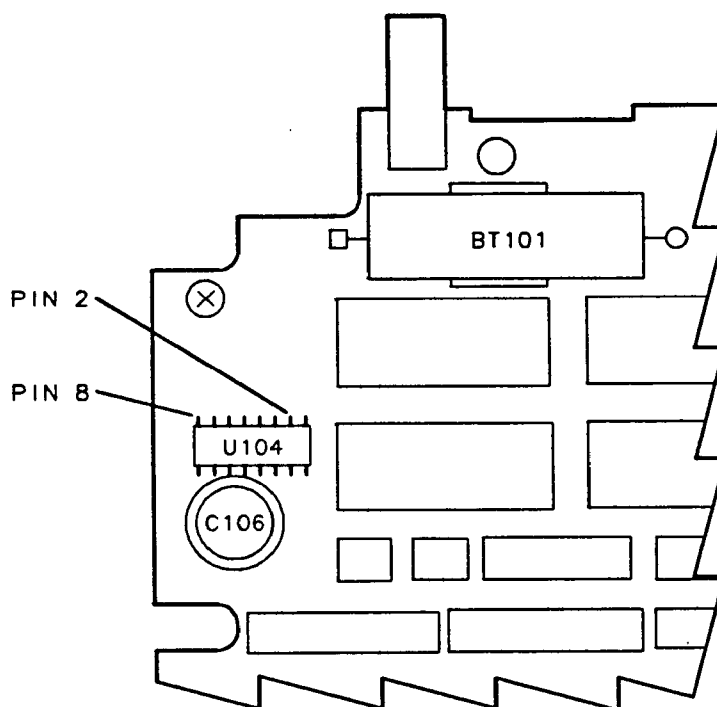


Figure 9-1. Location of U104 on the A16 Assembly

5. Connect a small jumper wire from pin 2 to pin 8 on U104 for approximately 10 seconds.
6. Reconnect the line cord and turn the instrument on.

Instrument Response after Memory Reset

After a memory reset, the spectrum analyzer may display one of the following symptoms:

- A random display periodically flashes on-screen.
- An empty rectangle appears, closely followed by the message SYMTAB EMPTY or INVALID SCR MOVE. Approximately 8 seconds later, the instrument performs an instrument preset and the error message FAIL: 0330 0000000000 is displayed.

If the random display appears, the spectrum analyzer did not automatically load the default-correction data and cannot perform an instrument preset. The CPU is cycling slowly

but is not able to recover. Although the softkeys are not visible, load the default-calibration data by performing the following steps:

Note

Allow approximately 2 seconds between each key press so that the CPU has time to respond.



-
1. Press **FREQUENCY**.
 2. Enter the -37 Hz passcode.
 3. Press **CAL**.
 4. Press the lowest softkey—**MORE 1 OF 3**.
 5. Press the lowest softkey again—**MORE 2 OF 3**.
 6. Press the third softkey from the top—**DEFAULT CAL DATA**.

After the default calibration-data is accepted, the spectrum analyzer should recover by performing an instrument preset.

- If the spectrum analyzer does not recover, repeat the six steps above.
- If a normal display appears, continue at "Spectrum Analyzer Recovery after a A16 Memory Loss."
- If the error message **FAIL: 0330 000000000** is displayed, it is not a problem. Continue at the next section.

Spectrum Analyzer Recovery after a A16 Memory Loss

The procedures in this section restore the correction constants recorded on the Correction Constant Backup-Data Record to spectrum analyzer memory, initialize the analyzer settings that are lost after a memory failure, and recalibrate the spectrum analyzer.

Note

If the current correction constants are not valid, new correction constants must be generated and stored in memory.



- Perform the steps in "Resetting the Spectrum Analyzer Power-On Units."
 - Perform the "10 MHz Reference (Standard)," "Frequency Response," and "Cal Attenuator Error Correction" adjustment procedures in Chapter 2 to generate new correction constants.
 - Return to this procedure and perform the steps in "Instrument Recalibration after Reloading the Correction Constants."
-

Resetting the Spectrum Analyzer Power-On Units

1. Turn the spectrum analyzer on.

Note



After a memory loss, the spectrum analyzer may display one of the following symptoms:

- A random display periodically flashes on-screen.
- An empty rectangle appears, closely followed by the message SYMTAB EMPTY or INVALID SCR MOVE. Approximately 8 seconds later, the instrument performs an instrument preset and the error message FAIL: 0330 0000000000 is displayed.

Perform the steps in "Instrument Response after Memory Reset" in the previous section and then continue with this procedure.

2. Set the spectrum analyzer power-on units by pressing the following spectrum analyzer keys:

PRESET
FREQUENCY -2001 **Hz**
AMPLITUDE MORE 1 of 3 **INPUT 2, 50 75** (50)
AMPLITUDE **SCALE LOG LIN** (LOG)
MORE 1 of 3 **AMPTD UNITS** **dBm**
AMPLITUDE **SCALE LOG LIN** (LIN)
MORE 1 of 3 **AMPTD UNITS** **Volts**
AMPLITUDE **SCALE LOG LIN** (LOG)
CAL MORE 1 of 3 **MORE 2 of 3**
SERVICE CAL
STOR POWR ON UNITS

Reloading the Timebase and Flatness Correction Constants

Ensure that all recorded correction constants are valid before they are reentered in the instrument memory. Repair, replacement, or adjustment of particular assemblies requires the generation of new correction constants. Refer to Table 6-2, "Adjustments and Tests for Replaced or Repaired Assemblies," for the assemblies that affect the correction constants.

1. Press the following keys to eliminate erroneous data that may be stored in RAM:

PRESET
FREQUENCY -37 **Hz**
CAL MORE 1 of 3 **MORE 2 of 3**
DEFAULT CAL DATA

2. Press the following keys to enter the service calibration menu:

PRESET

FREQUENCY -2001 **Hz**

CAL **MORE 1 of 3** **MORE 2 of 3**

SERVICE CAL

Note For Option 004 instruments, bypass the next four steps.



3. Press **CAL TIMEBASE**.

4. Enter the value from Table 9-1.

5. Press the following keys to store the timebase data in memory:

CAL **MORE 1 of 3**

CAL FETCH

MORE 2 of 3 **MORE 3 of 3**

CAL STORE

6. Press the following keys to reenter the passcode and return to the service calibration menu:

FREQUENCY -2001 **Hz**

CAL **MORE 1 of 3** **MORE 2 of 3**

SERVICE CAL

7. On the spectrum analyzer press the following keys:

FLATNESS DATA

IDNUM 4 **ENTER**

8. Press **INIT FLT** to initialize the area of memory where the flatness data is stored, and set the start frequency, stop frequency and step size for the entry of the flatness correction constants.

9. Press the following keys before entering the correction data:

FREQUENCY -2001 **Hz**

CAL **MORE 1 of 3** **MORE 2 of 3**

SERVICE CAL

FLATNESS DATA

EDIT FLATNESS

10. Enter the correction constant for 12 MHz from Table 9-2 and terminate the entry with the **+dBm** or **-dBm** key, as appropriate.

11. Enter each correction constant from Table 9-2. Each entry is displayed briefly before the data-entry routine steps to the next correction data point.
12. Use \uparrow and \downarrow to edit previously entered correction data.
13. When all flatness correction constants are entered, press **STORE FLATNESS**. The spectrum analyzer will automatically preset.

Reloading the A12 Step-Gain-Correction Constants

1. Press the following keys before reloading the step-attenuator correction constants:

PRESET

FREQUENCY -2001 **Hz**

CAL **MORE 1 of 3** **MORE 2 of 3**

SERVICE CAL

SET ATTN ERROR

REF LVL OFFSET is displayed in the active-function block above the prompt ENTER CAL ATTN ERROR 1.

2. At the prompt, Enter the five step-attenuator correction constants (resolution 0.01 dB) from Table 9-3.

Terminate each entry with either **+dBm** or **-dBm**, as appropriate. Each entry is displayed to the left of the graticule as an amplitude offset, but only with 0.1 dB resolution. An instrument preset occurs after the 16 dB step-attenuator error is entered.

Instrument Recalibration after Reloading the Correction Constants

1. Connect the CAL cable from CAL OUT to INPUT 50 Ω .
2. Perform the self-calibration routines by pressing the following keys:

PRESET

FREQUENCY -37 **Hz**

CAL FREQ & AMPTD

When CAL: DONE is displayed in the active-function block, the instrument is calibrated. The calibration procedure takes approximately 8 minutes.

3. Adjust the vertical and horizontal position of the display using **CRT VERT POSITION** and **CRT HORZ POSITION**.

Refer to the "Display Position" section of the "Display" adjustment procedure in Chapter 2.

4. Press **CAL** and **CAL STORE** to store the correction values in nonvolatile memory.

Note



Refer to the *HP 8594A/8595A Spectrum Analyzer Installation and Verification Manual* for a description of the default settings provided by **DEFAULT CONFIG**.

5. Press the following keys to clear user memory and return the instrument to the default configuration:

CONFIG

MORE 1 of 2

DISPOSE USER MEM

DEFAULT CONFIG

6. If a new A16 assembly (with a new battery attached) is installed, enter the replacement date on the battery label located on the rear-frame of the spectrum analyzer.
7. Adjust the time and date. Refer to the "Time and Date" adjustment procedure in Chapter 2 of this manual.

Softkey Descriptions

Introduction

Refer to this chapter for an explanation of the HP 8594A Spectrum Analyzer passcodes, the two types of instrument correction data, and the service-related softkeys that are available after pressing **CAL**.

Refer to chapter 10 of the *HP 8593A Portable Spectrum Analyzer Service Manual* for additional softkey descriptions.

Calibration, Service, and Diagnostic Softkey Functions

The front-panel **CAL** key provides the softkey menus for the self-calibration routines, the confidence test, the service-calibration and service-diagnostic routines. Refer to Figure 10-1 for the organization of the softkeys related to **CAL**.

Caution

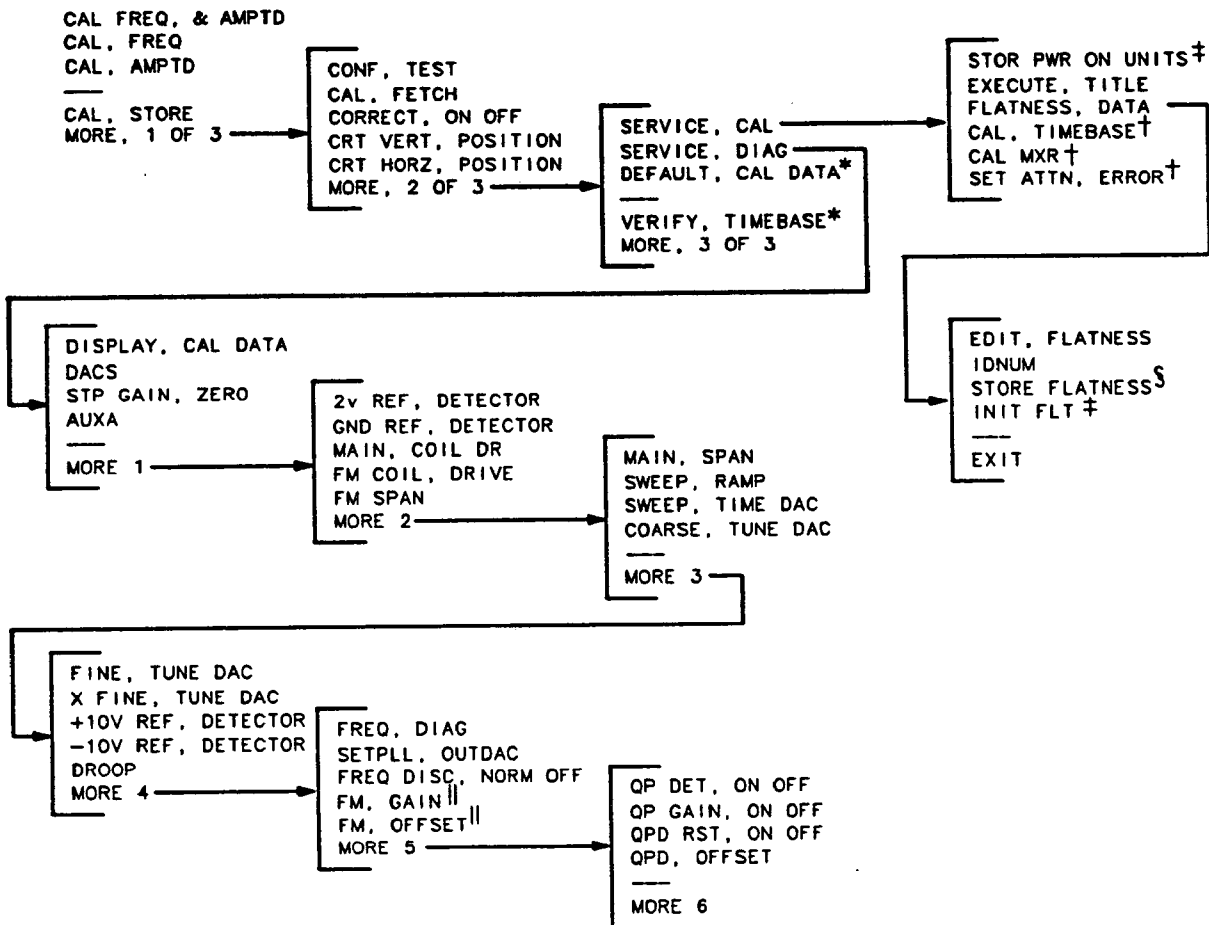


Correction-constant data can be lost if the **SERVICE CAL** softkeys are used improperly. Refer to the appropriate softkey description for instructions on softkey usage.

CAL Softkey Organization

Figure 10-1 provides the organization of all softkeys available after pressing **CAL**. Each block of softkeys represents the softkeys that are displayed at one time. The diagram flow indicates the actual key sequence used for each softkey. The footnotes identify softkeys that appear only when a passcode has been entered or a specific instrument option is installed in the analyzer.

CAL



- * Function is not active unless either -37 Hz or -2001 Hz Passcode is entered.
- † Function is not active unless -2001 Hz Passcode is entered.
- ‡ Present only if -2001 Hz Passcode is entered.
- § Present only if -2001 Hz Passcode is entered and "EDIT FLATNESS" softkey is pressed.
- || Present for Option 102 only.

Figure 10-1. Calibration, Service, and Diagnostic Softkey Tree

Passcodes

Passcodes activate specific softkey functions and protect the correction data from accidental erasure or modification. The two passcodes, -37 Hz and -2001 Hz, are explained below.

- Use the -37 Hz passcode to perform the following functions:
 - Replace the current calibration-factors with the default calibration data provided by **DEFAULT CAL DATA**.
 - Check the accuracy of the 10 MHz frequency reference using **VERIFY TIMEBASE**. Refer to the 10 MHz Reference Accuracy (Standard Timebase) Verification Test in the *HP 8591A/8593A Installation, Verification, and Operation Manual*.
 - Bypass the CAL OUT set-up check within individual self-calibration routines.
- Use the -2001 Hz service passcode to perform the following functions:
 - Set the start frequency, stop frequency, and step size of the flatness correction points using **INIT FLT**.
 - Edit the flatness-correction constants using **EDIT FLATNESS**.
 - Edit the A12 Amplitude Control step-attenuator correction constants using **SET ATN ERROR**.
 - Set the correction factor for the 10 MHz frequency reference (standard timebase).
 - Modify the displayed power units that appear when the instrument is first turned on using **STOR PWR ON UNITS**.
 - Bypass the CAL OUT signal check within individual self-calibration routines.

Entering A Passcode

The passcode must be entered before pressing **CAL**. Press the following keys to enter a passcode.

FREQUENCY

-37 **Hz** or -2001 **Hz**

CAL

When SRVC appears in the lower-left corner of the display, the passcode has been accepted.

Understanding Instrument Correction Data

The firmware uses correction data to improve instrument performance by minimizing the effect of variations in hardware. There are two categories of correction data:

- Self-calibration correction factors.
- Service-calibration correction constants.

All correction data can be displayed and modified with the softkey functions provided by **CAL**.

Self-Calibration Correction Factors

Self-calibration correction factors enhance instrument accuracy by adjusting DACs on the A7 Analog Interface assembly and by adding offsets to trace information. The correction factor data is stored in nonvolatile memory on the A16 Processor/Video assembly after pressing **CAL STORE**.

The correction-factor data is produced by the **CAL AMPTD** and **CAL FREQ** self-calibration routines. The horizontal and vertical display positions, adjusted by **CRT VERT POSITION** and **CRT HORZ POSITION**, are also retained.

Refer to the softkey descriptions in this section for further information.

Service-Calibration Correction Constants

The service-calibration correction constants enhance instrument performance by compensating for frequency-response variation and A12 Amplitude Control step-attenuation errors. The correction constants are unique for each instrument.

The correction constants for frequency response can be viewed, or modified, using **FLATNESS DATA**. Refer to the Frequency Response adjustment procedure in Chapter 2 for instructions on generating new correction constants.

The correction constants for step-attenuation errors on the A12 Amplitude Control assembly can be modified using **SET ATTN ERROR**. Refer to the Cal Attenuator adjustment procedure in Chapter 2 for instructions on generating new correction constants.

The frequency of the 10 MHz standard timebase, a room temperature crystal oscillator (RTXO), is controlled by a DAC located on the A25 Counter Lock assembly. Refer to the 10 MHz Reference (Standard) procedure in chapter 2 to adjust the timebase DAC using **CAL TIMEBASE**.

The initial service-calibration correction constants are stored by the factory in nonvolatile memory on the A16 assembly. After shipment, new correction constants must be manually generated whenever an adjustment or repair affects frequency response or A12 Amplitude Control step attenuation.

Refer to "After an Instrument Repair" in Chapter 6 for the specific assemblies that affect frequency response. Whenever the A16 Processor/Video assembly is replaced, new correction constants must also be generated, unless valid correction constants were saved prior to the instrument failure.

Note

The manual generation of the new service-calibration correction constants is a lengthy procedure. Avoid having to generate new correction constants manually by periodically recording the current correction constants. Refer to "Backing Up Analyzer Correction Constants" in Chapter 9.

Refer to the softkey descriptions in this section for specific information about the use and modification of the correction-constant data.

Preliminary Service Information

HP 8595A Portable Spectrum Analyzer



**HEWLETT
PACKARD**

Printed in USA Oct 1990

Copyright © 1990 Hewlett-Packard Company. All Rights Reserved. Reproduction, adaptation, or translation without prior written permission is prohibited, except as allowed under the copyright laws.

Contents

| | |
|---|------|
| 1. General Information | |
| Introduction | 1-1 |
| Comparing the HP 8595A to the HP 8593A Spectrum Analyzer | 1-2 |
| How to Use the Preliminary Service Information | 1-2 |
| 2. Adjustment Procedures | |
| Introduction | 2-1 |
| 15. Frequency Response | 2-2 |
| 16. First LO Distribution Amplifier Adjustment (Option 009, 010) | 2-10 |
| 17. BITG Power Level Adjustments (Option 009, 010) | 2-12 |
| 18. Tracking Oscillator Adjustment (Option 009, 010) | 2-15 |
| 4. Replaceable Parts | |
| Introduction | 4-1 |
| 9. Control/Display Section Troubleshooting | |
| Introduction | 9-1 |
| Before You Start Troubleshooting | 9-1 |
| Backing Up Spectrum Analyzer Correction Constants | 9-2 |
| Retrieving the Timebase and Flatness-Correction Constants | 9-2 |
| Retrieving the A12 Step-Gain-Correction Constants | 9-3 |
| A16 Memory Reset | 9-6 |
| Performing an A16 Memory Reset | 9-6 |
| Instrument Response after Memory Reset | 9-7 |
| Spectrum Analyzer Recovery after a A16 Memory Loss | 9-8 |
| Resetting the Spectrum Analyzer Power-On Units | 9-9 |
| Reloading the Timebase and Flatness Correction Constants | 9-9 |
| Reloading the A12 Step-Gain-Correction Constants | 9-11 |
| Instrument Recalibration after Reloading the Correction Constants | 9-11 |
| 10. Softkey Descriptions | |
| Introduction | 10-1 |
| Calibration, Service, and Diagnostic Softkey Functions | 10-1 |
| [CAL] Softkey Organization | 10-1 |
| Passcodes | 10-3 |
| Entering A Passcode | 10-3 |
| Understanding Instrument Correction Data | 10-4 |
| Self-Calibration Correction Factors | 10-4 |
| Service-Calibration Correction Constants | 10-4 |

Figures

| | |
|---|------|
| 2-1. Frequency Response Setup | 2-3 |
| 2-2. First LO Distribution Amplifier Adjustment Setup | 2-11 |
| 2-3. BITG Power Level Adjustment Setup | 2-13 |
| 2-4. BITG Power Level Adjustment Locations | 2-13 |
| 2-5. Frequency Tracking Range Setup | 2-16 |
| 2-6. Tracking Oscillator Adjustment Setup | 2-17 |
| 9-1. Location of U104 on the A16 Assembly | 9-7 |
| 10-1. Calibration, Service, and Diagnostic Softkey Tree | 10-2 |

Tables

| | |
|---|------|
| 2-1. Frequency Response Errors Band 0 | 2-7 |
| 2-2. Frequency Response Errors Band 1 | 2-9 |
| 2-3. Tracking Oscillator Range Centering | 2-19 |
| 4-2. HP 8595A Assembly-Level Replaceable Parts | 4-2 |
| 4-3. Firmware History | 4-5 |
| 9-1. RTXO Timebase Correction Constant (Instruments without Option 004) | 9-4 |
| 9-2. Frequency-Response Correction Constants—Band 0 | 9-4 |
| 9-3. Frequency-Response Correction Constants—Band 1 | 9-5 |
| 9-4. A12 Step-Attenuator Correction Constants | 9-5 |

General Information

Introduction

The standard HP 8595A Portable Spectrum Analyzer covers a frequency range of 9 kHz to 6.5 GHz with synthesizer-like frequency accuracy.

A memory card reader allows the analyzer to use downloadable software programs. The functional "personality" of the HP 8595A can also be altered using the memory card reader. This feature provides the user with tone instrument that can perform the function of other types of microwave test equipment. The following options may be installed in the HP 8595A Spectrum Analyzer:

Option 004, Precision Frequency Reference, provides a precision 10 MHz reference output at the rear frame.

Option 021, HP-IB, allows the HP 8595A Spectrum Analyzer to be controlled by a computer via HP-IB. An input connector for an external keyboard is also provided.

Option 023, RS-232, allows the HP 8595A Spectrum Analyzer to be controlled by a computer via an RS-232 interface bus. An input connector for an external keyboard is also provided.

Option 009, LO Output on Rear Panel, provides local oscillator output and sweep + tune output at the rear panel for use with external tracking generators.

Option 010, Tracking Generator, provides a built-in tracking generator for the HP 8595A Spectrum Analyzer.

Option 101, Fast Time Domain Sweeps, provides fast analog-to-digital conversion of data for sweep times to 20 μ s in zero span.

Option 102, AM/FM Speaker and TV Sync Trigger, enables the user to listen to a demodulated signal using either amplitude or frequency demodulation. It also allows the user to trigger on a selected line of a video picture frame.

Option 103, Quasi-Peak Detector and AM/FM Demodulator, enables the user to make automatic or manual quasi-peak measurements, to listen to a demodulated signal, and to use amplitude or frequency demodulation.

Option 105, Time-Gated Spectrum Analysis, allow the user to selectively measure the spectrum of signals that may overlap in the frequency domain, but be separated in the time domain.

Further information about the HP 8595A Spectrum Analyzer, and all its available options and accessories, is provided in "Introducing the Spectrum Analyzer," Chapter 1, of the *HP 8594A/8595A Spectrum Analyzer Installation and Verification Manual*.

Comparing the HP 8595A to the HP 8593A Spectrum Analyzer

The HP 8595A Spectrum Analyzer is similar to Band 0 and Band 1 of the HP 8593A Spectrum Analyzer. The two spectrum analyzers share many of the same assemblies, resulting in few differences.

The HP 8595A Spectrum Analyzer differences are as follows:

- A3A5 Switchable dc Block Attenuator assembly, replaces A3A5 Attenuator assembly
- A3A2 Switched YTF, replaces A3A2 RF Switch assembly
- A7 Analog Interface assembly is modified; the dc to dc Converter is removed.
- Firmware, 512 Kbyte ROMs, with new features:
 - Selectable power on state
 - ac/dc couple
 - Ampcor editor
 - Limit lines enhanced
 - Time Gated Spectrum Analyzer commands (Option 105)
- Assemblies removed:
 - A3A8 YTF assembly
 - A3A2 RF Switch assembly
 - A3A10 Directional Coupler assembly (Option 010)
 - A3A13 Isolator assembly (Option 010)

How to Use the Preliminary Service Information

The Preliminary Service Information is designed to be used in addition to the *HP 8593A Portable Spectrum Analyzer Service Manual* until the *HP 8595A Portable Spectrum Analyzer Service Manual* is available.

When servicing a HP 8595A Spectrum Analyzer use the *HP 8593A Portable Spectrum Analyzer Service Manual*, HP part number 08593-90006 in addition to the following Preliminary Service Information:

- **Chapter 2, Adjustment Procedures.** The adjustment procedures contained in this packet are unique to the HP 8595A Portable Spectrum Analyzer and are intended to be used in addition to the adjustment procedures in the Service Manual.
- **Chapter 4, Replaceable Parts.** Lists the HP 8595A Spectrum Analyzer assembly level replaceable parts. Tables 4-2 and 4-3 replace Tables 4-2 and 4-3 of the Service Manual.
- **Chapter 6, General Troubleshooting.** Foldout 6-1, "HP 8595A RF Section, Overall Block Diagram" and Foldout 6-2, "HP 8595A IF/Control, Overall Block Diagram" replace Foldouts 6-1 and 6-2 of the Service Manual.
- **Chapter 9, Control/Display Section Troubleshooting.** Replace pages 9-1 through 9-16 of the Service Manual.
- **Chapter 10, Softkey Descriptions.** Replace pages 10-1 through 10-5 of the Service Manual.

Adjustment Procedures

Introduction

The adjustment procedures in this Preliminary Service Information Packet are used in addition to the procedures given in the *HP 8593A Service Manual*. After the combined adjustment procedures have been performed, the spectrum analyzer's performance will meet the specifications described in Table 1-3 of the *HP 8594A/8595A Spectrum Analyzer Installation and Verification Manual*. If one or more spectrum analyzer assemblies have been replaced or repaired, perform the related adjustment procedures before performing the operation verification. Refer to Table 6-2 in the *HP 8593A Service Manual* for a list of the adjustments required when an assembly is replaced or repaired. To ensure that the instrument meets all of its specifications, the adjustments must be performed in the order listed.

Most adjustments require access to the interior of the spectrum analyzer.

Commands within parenthesis after a softkey, for example (ON), are used throughout this chapter to indicate the part of a softkey that should be underlined when the key is pressed.

Warning



The spectrum analyzer contains potentially hazardous voltages. Refer to the safety symbols provided on the spectrum analyzer, and in the general safety instructions in the Service Manual, before operating the unit with the cover removed. Ensure that safety instructions are strictly followed. Failure to do so can result in severe or fatal injury.

15. Frequency Response

Description

The frequency response (flatness) of the spectrum analyzer is measured with corrections off. The flatness data is then entered into the spectrum analyzer using the **SERVICE CAL** functions. The error corrections are stored in battery backed RAM on the A16 Processor/Video Assembly.

Equipment

Test Equipment

| | |
|--|------------|
| Synthesized Sweeper | HP 8340A/B |
| Measuring Receiver (used as a power meter) | HP 8902A |
| Power Sensor | HP 8485A |
| Power Sensor | HP 8482A |
| Power Splitter | HP 11667B |

Adapters

| | |
|--------------------------------|--------------|
| Type N(m) to APC 3.5(m) | HP 1250-1743 |
| Type N(f) to APC 3.5(m) | HP 1250-1750 |
| APC 3.5(f) to APC 3.5(f) | HP 5061-5311 |

Cable

| | |
|-------------------------------|--------------|
| APC 3.5, 91 cm (36 in.) | HP 8120-4921 |
|-------------------------------|--------------|

Adjustment Procedure

Measuring Uncorrected Flatness

1. Zero and calibrate the measuring receiver and sensor LOG mode as described in the *HP 8902A Operation Manual*.
2. Connect the equipment as shown in Figure 2-1.
3. Press INSTRUMENT PRESET on the synthesized sweeper. Set the synthesized sweeper controls as follows:

| | |
|-------------------|---------|
| CW | 300 MHz |
| FREQ STEP | 72 MHz |
| POWER LEVEL | -3 dBm |

4. To enter band 0, press the following spectrum analyzer keys:

15. Frequency Response

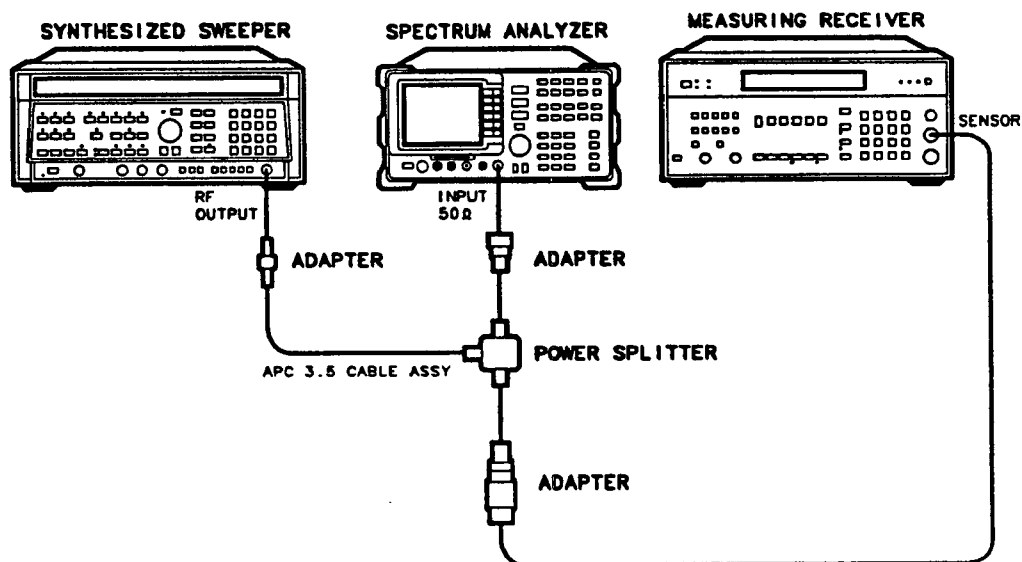


Figure 2-1. Frequency Response Setup

PRESET
 CAL MORE 1 of 3
 CORRECT ON OFF (OFF)
 SPAN BAND LOCK 0 - 2.9 GHz BAND 0

5. Set the spectrum analyzer controls by pressing the following keys:

FREQUENCY 300 MHz
 CF STEP AUTO MAN (MAN) 72 MHz
 SPAN 5 MHz
 AMPLITUDE 0 dBm
 SCALE LOG LIN (LOG) 10 dB
 BW 1 MHz
 PEAK SEARCH
 SIGNAL TRACK (ON)

6. Adjust the synthesized sweeper POWER LEVEL for a MKR-TRK amplitude reading of $-9 \text{ dBm} \pm 0.1 \text{ dB}$ on the spectrum analyzer.
7. Press RATIO on the measuring receiver.

Band 0

8. Set the synthesized sweeper CW to 12 MHz.
9. Press the following spectrum analyzer keys:
- FREQUENCY 12 MHz
10. Adjust the synthesized sweeper POWER LEVEL for a MKR-TRK amplitude reading of $-9 \text{ dBm} \pm 0.1 \text{ dB}$ on the spectrum analyzer.
11. Record the power ratio displayed on the measuring receiver in Column 2 of Table 2-1.

15. Frequency Response

12. On the synthesized sweeper, press CW and STEP UP.

13. On the spectrum analyzer, press the following keys:

MKR **MARKERS OFF**
FREQUENCY **(↑)**
PEAK SEARCH
SIGNAL TRACK (ON)

14. Step through the remaining frequencies listed in Table 2-1. At each new frequency, repeat steps 10 through 13 and enter the appropriate power sensor cal factor into the measuring receiver as listed in Column 3 of Table 2-1.

Band 1

15. Replace the HP 8482A Power Sensor with the HP 8485A Power Sensor.

16. Calibrate the measuring receiver and HP 8485A power sensor combination in log mode.

17. Set the synthesized sweeper to 300 MHz.

18. Press the following spectrum analyzer keys:

FREQUENCY 300 **(MHz)**
PEAK SEARCH
SIGNAL TRACK (ON)

19. Adjust the synthesized sweeper POWER LEVEL for a MKR-TRK amplitude reading of $-9 \text{ dBm} \pm 0.1 \text{ dB}$ on the spectrum analyzer.

20. Press RATIO on the measuring receiver.

21. To enter band 1, press the following spectrum analyzer keys:

MKR **MARKERS OFF**
SPAN **BAND LOCK** **2.75 - 6.5 BAND 1**

22. Set the spectrum analyzer controls by pressing the following keys:

FREQUENCY 2.75 **(GHz)**
CF STEP AUTO MAN (MAN) 234.9 **(MHz)**
SPAN 5 **(MHz)**
BW 1 **(MHz)**

23. Set the synthesized sweeper CW to 2.75 GHz and FREQ STEP to 234.9 MHz.

24. Press the following spectrum analyzer keys:

PEAK SEARCH
SIGNAL TRACK (ON)
AMPLITUDE **PRESEL PEAK**

25. Adjust the synthesized sweeper POWER LEVEL for a MKR-TRK amplitude reading of $-9 \text{ dBm} \pm 0.1 \text{ dB}$ on the spectrum analyzer.

26. Record the power ratio displayed on the measuring receiver in Column 2 of Table 2-2.

27. On the synthesized sweeper, press CW and STEP UP.

28. On the spectrum analyzer, press the following keys:

15. Frequency Response

MKR **MARKERS OFF**

FREQUENCY **↑**

29. Step through the remaining frequencies listed in Table 2-2. At each new frequency, repeat steps 24 through 28 and enter the appropriate power sensor cal factor into the measuring receiver as listed in Column 3 of Table 2-2.

Entering Flatness Correction Data

30. Enter the passcode by pressing the following spectrum analyzer keys:

PRESET

FREQUENCY -2001 **Hz**

31. To access the flatness correction menu, press the following spectrum analyzer keys:

CAL **MORE 1 of 3** **MORE 2 of 3**

SERVICE CAL

FLATNESS DATA

Note



Perform the next step *only if* all the flatness correction data must be replaced in memory due to the repair or replacement of the A16 Processor/Video assembly.

32. To initialize the area of memory where the flatness correction data is stored, press the following keys:

INIT FLT

PRESET

FREQUENCY -2001 **Hz**

CAL **MORE 1 of 3** **MORE 2 of 3**

SERVICE CAL

FLATNESS DATA

33. To enter flatness corrections, press **EDIT FLATNESS**.
34. The frequency of the first data point, 12.00 MHz, will be displayed in the active function block of the spectrum analyzer display.
35. Use the data keys on the spectrum analyzer to enter the amplitude value for 12 MHz from Column 2 of Table 2-1, Frequency Response Errors. Terminate the entry with the **dB** key. When entering negative amplitude values, precede the numeric entry with the **-** and **dB** keys or the **-dB** key.


Each entry is displayed briefly before the data-entry routine steps to the next data point.

Note





The **BK SP** (backspace) key may be used to correct any entry if the terminator, **dB** or **-dB** key has *not* been pressed. Re-enter the data if the terminator has been pressed.



15. Frequency Response

36. Press  (step up) and enter the data from Column 2 of the "Frequency Response Errors" tables for the next data point as described in step 34.
37. Repeat step 35 for the remaining flatness correction data points listed in the "Frequency Response Errors" tables.

Note



At each point, verify that the frequency listed in the active function block corresponds to the frequency at which the data was taken. If these two frequencies do not correspond, press  (step up) or  (step down) until the proper frequency is displayed in the active function block.

If some data is incorrect after entering all of the data from the "Frequency Response Errors" tables, select the incorrect data point using  (step up) or  (step down) and re-enter the proper data.

38. After all corrections have been input, press **STORE FLATNESS** to store the correction data in nonvolatile memory. The instrument will automatically preset and display CAL: DONE in the active function block of the spectrum analyzer.

15. Frequency Response

Table 2-1. Frequency Response Errors Band 0

| Column 1 Frequency (GHz) | Column 2 HP 8902A Reading (dB) | Column 3 CAL FACTOR Frequency (GHz) |
|--------------------------------|--------------------------------------|---|
| 0.012 | _____ | 0.05 |
| 0.084 | _____ | 0.05 |
| 0.156 | _____ | 0.05 |
| 0.228 | _____ | 0.05 |
| 0.300 | _____ | 0.05 |
| 0.372 | _____ | 0.05 |
| 0.444 | _____ | 0.05 |
| 0.516 | _____ | 0.05 |
| 0.588 | _____ | 0.05 |
| 0.660 | _____ | 0.05 |
| 0.732 | _____ | 0.05 |
| 0.804 | _____ | 0.05 |
| 0.876 | _____ | 0.05 |
| 0.948 | _____ | 0.05 |
| 1.020 | _____ | 0.05 |
| 1.092 | _____ | 2.0 |
| 1.164 | _____ | 2.0 |
| 1.236 | _____ | 2.0 |
| 1.308 | _____ | 2.0 |
| 1.380 | _____ | 2.0 |
| 1.452 | _____ | 2.0 |
| 1.524 | _____ | 2.0 |
| 1.596 | _____ | 2.0 |
| 1.668 | _____ | 2.0 |
| 1.740 | _____ | 2.0 |
| 1.812 | _____ | 2.0 |
| 1.884 | _____ | 2.0 |

15. Frequency Response

Table 2-1. Frequency Response Errors Band 0 (continued)

| Column 1 Frequency (GHz) | Column 2 HP 8902A Reading (dB) | Column 3 CAL FACTOR Frequency (GHz) |
|---|---|--|
| 1.956 | _____ | 2.0 |
| 2.028 | _____ | 2.0 |
| 2.100 | _____ | 2.0 |
| 2.172 | _____ | 2.0 |
| 2.244 | _____ | 2.0 |
| 2.316 | _____ | 2.0 |
| 2.388 | _____ | 2.0 |
| 2.460 | _____ | 2.0 |
| 2.532 | _____ | 3.0 |
| 2.604 | _____ | 3.0 |
| 2.676 | _____ | 3.0 |
| 2.748 | _____ | 3.0 |
| 2.820 | _____ | 3.0 |
| 2.892 | _____ | 3.0 |

15. Frequency Response

Table 2-2. Frequency Response Errors Band 1

| Column 1 Frequency (GHz) | Column 2 HP 8902A Reading (dB) | Column 3 CAL FACTOR Frequency (GHz) |
|--------------------------------|--------------------------------------|---|
| 2.7500 | _____ | 3.0 |
| 2.9849 | _____ | 3.0 |
| 3.2198 | _____ | 3.0 |
| 3.4547 | _____ | 3.0 |
| 3.6896 | _____ | 4.0 |
| 3.9245 | _____ | 4.0 |
| 4.1594 | _____ | 4.0 |
| 4.3943 | _____ | 4.0 |
| 4.6292 | _____ | 5.0 |
| 4.8641 | _____ | 5.0 |
| 5.0990 | _____ | 5.0 |
| 5.3339 | _____ | 5.0 |
| 5.5688 | _____ | 5.0 |
| 5.8037 | _____ | 6.0 |
| 6.0386 | _____ | 6.0 |
| 6.2735 | _____ | 6.0 |
| 6.5084 | _____ | 6.0 |

16. First LO Distribution Amplifier Adjustment (Option 009, 010)

Assembly Adjusted

A10 Tracking Generator Control assembly

Related Performance Test

There is no related performance test.

Description

The gate bias for the A3A14 LO Distribution Amplifier assembly is adjusted to the value specified on a label on the RF section. The LO power is adjusted so that the LO SENSE voltage is 6 mV more negative than the value specified on the label. The adjustments are made on the A10 Tracking Generator Control assembly, which is located in the card cage.

Equipment

| | |
|--------------------------|----------|
| Measuring Receiver | HP 8902A |
| Digital Voltmeter | HP 3456A |
| Power Sensor | HP 8485A |
| DVM Test Leads | HP 34118 |

Adapters

| | |
|------------------------|-----------|
| Dual Banana Plug | 1251-2816 |
|------------------------|-----------|

Procedure

1. Set the spectrum analyzer **LINE** switch to off, then disconnect the line cord. Remove the cover assembly, then reconnect the line cord.
2. Remove the 50 Ω termination from the spectrum-analyzer rear-panel LO OUTPUT connector.
3. Connect the positive DVM test lead to A10TP5, GB (gate bias). Connect the negative DVM test lead to A10TP2, AGND (analog ground). See Figure 2-2.
4. Set the digital voltmeter controls as follows:

| | |
|------------------|----------|
| FUNCTION | DC VOLTS |
| RANGE | 10 V |
| RESOLUTION | 1 mV |
5. Set the spectrum analyzer **LINE** switch to on.
6. Adjust A10R29 (GATE) for a digital voltmeter reading within 5 mV of the GATE (gate bias) voltage printed on the RF section label.
7. Zero and calibrate the measuring receiver and power sensor in LOG mode. (Power levels read in dBm.) Enter the power sensor's 5 GHz cal factor into the measuring receiver.
8. Connect the power sensor to the spectrum analyzer's LO OUTPUT.
9. On the spectrum analyzer, press **PRESET**, **SPAN**, **ZERO SPAN**, **FREQUENCY**, 5, **GHZ**.

16. First LO Distribution Amplifier Adjustment (Option 009, 010)

10. Connect the positive DVM test lead to A10TP4, LOS (LO sense).
11. Note the SENS (LO sense) voltage printed on the RF section label. Adjust A10R25, LO PWR (LO power) until the DVM reads 6 mV more negative than the SENS voltage printed on the RF section label. For example, if the SENS voltage is -170 mV, adjust A10R25 until the DVM reads -176 mV.
12. Check that the measuring receiver power level reads greater than $+12$ dBm.
13. Disconnect the power sensor from LO OUTPUT, then reconnect the 50Ω termination to LO OUTPUT.
14. Disconnect the DVM leads from A10TP4 and A10TP2.

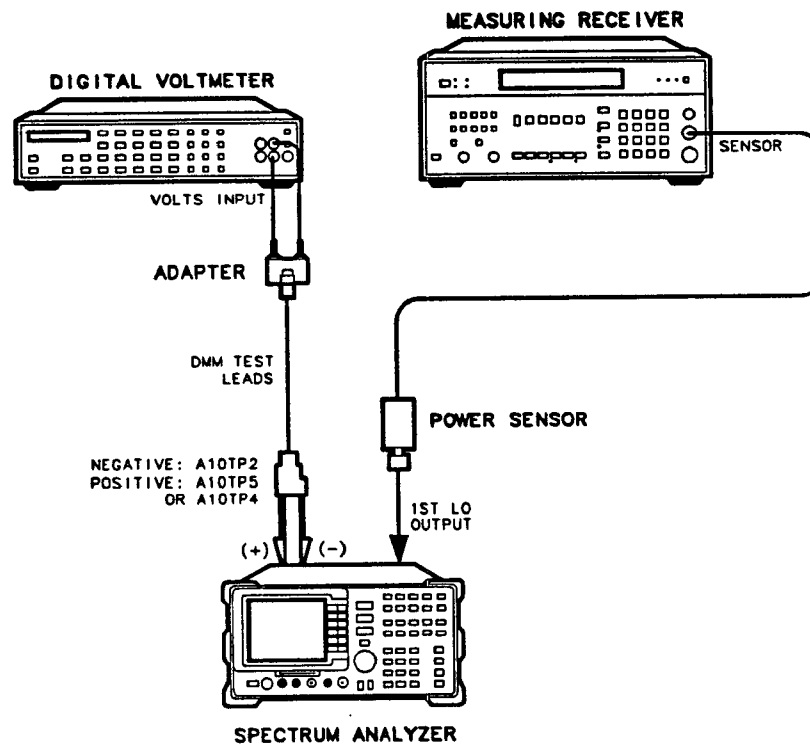


Figure 2-2. First LO Distribution Amplifier Adjustment Setup

17. BITG Power Level Adjustments (Option 009, 010)

Assembly Adjusted

A3A15 Built-In Tracking Generator (BITG) assembly

Related Performance Test

Absolute Amplitude and Vernier Accuracy

Description

The BITG has two adjustments for setting the output power. The -10 dB ADJ (A3A15R13) sets the power level when the source power level is set to -10 dBm, and the 0 dB ADJ (A3A15R18) sets the power level when the source power level is set to 0 dBm. The -10 dB ADJ acts as an offset adjustment, while 0 dB ADJ acts as a gain adjustment.

These adjustments are set in the factory for a 10 dB difference in output power between the -10 dBm and 0 dBm source power level settings. When installing a replacement BITG, it should only be necessary to adjust -10 dB ADJ (the offset adjustment) to account for variations in cable loss from the BITG to the RF OUT 50Ω connector. This adjustment is done at a 0 dBm source power level setting. This ensures that the absolute power level with a 0 dBm source power level setting is 0 dBm, with little or no affect on the vernier accuracy.

In some cases, the power level at the -10 dBm source power level setting might be out of tolerance. In such cases, the -10 dB ADJ is set at a source power level setting of -10 dBm and the 0 dB ADJ is set at a source power level setting of 0 dBm. These two adjustments must be repeated until the power level at the two settings are within the given tolerances.

Equipment

Measuring Receiver HP 8902A
Power Sensor HP 8482A

Cable

Type N, 62 cm (24 in.) HP 11500B/C

Procedure

1. Set the spectrum analyzer **LINE** switch to off. Disconnect the line cord. Remove the cover assembly, then reconnect the line cord.
2. Connect the cable between the RF OUT 50Ω and INPUT 50Ω connectors on the spectrum analyzer.
3. Press **PRESET** on the spectrum analyzer and set the controls as follows:
CENTER FREQ 300 MHz
SPAN 0 Hz
4. On the spectrum analyzer, press the following keys:

BW 10 **kHz**
AUX CTRL **TRACK GEN** **SRC PWR ON OFF** (ON) 5 **-dBm**

17. BITG Power Level Adjustments (Option 009, 010)

5. On the spectrum analyzer, press **TRACKING PEAK**. Wait for the **PEAKING** message to disappear.
6. Zero and calibrate the measuring-receiver/power-sensor combination in log mode (power levels readout in dBm). Enter the power sensor's 300 MHz cal factor into the measuring receiver.
7. Disconnect the cable from the RF OUT 50Ω connector, then connect the power sensor to the RF OUT 50Ω connector. See Figure 2-3.

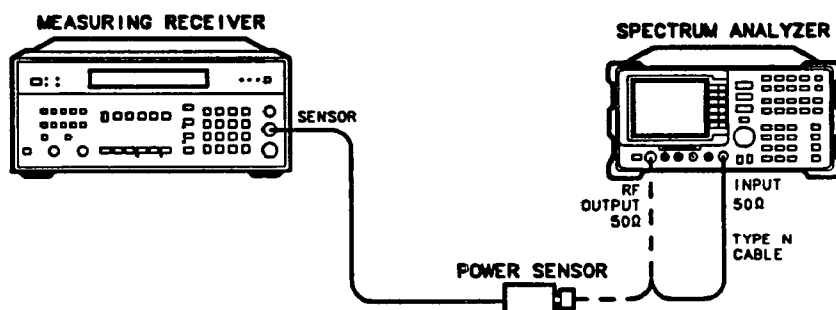


Figure 2-3. BITG Power Level Adjustment Setup

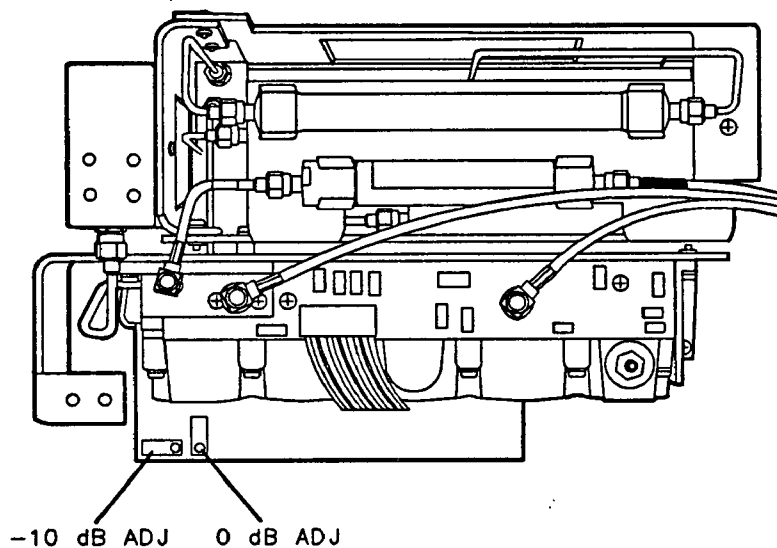


Figure 2-4. BITG Power Level Adjustment Locations

8. On the spectrum analyzer, press **SRC PWR ON OFF** (ON), 0, (dBm), (SGL SWP).
9. Adjust -10 dB ADJ (A3A15R13) for a 0 dBm ± 0.05 dB reading on the measuring receiver. Refer to Figure 2-4 for adjustment location.
10. Set the SRC PWR level to -10 dBm. Note the power displayed on the measuring receiver.
If the power level is -9.77 dBm to -10.23 dBm, then the adjustment is complete. If the power level is not within the range, then continue with steps 11 through 13.

Power at -10 dBm Setting _____ dBm


17. BITG Power Level Adjustments (Option 009, 010)

Note

The next steps should be performed *only* if the power level noted in step 10 was outside the range of $-10 \text{ dBm} \pm 0.23 \text{ dB}$.

11. With the SRC PWR level set to -10 dBm , adjust -10 dB ADJ (A3A15R13) for a $-10 \text{ dBm} \pm 0.1 \text{ dB}$ reading on the measuring receiver. Refer to Figure 2-4 for adjustment location.
12. Set the SRC PWR level to 0 dBm . Adjust 0 dB ADJ (A3A15R18) for a $0 \text{ dBm} \pm 0.2 \text{ dB}$ reading on the measuring receiver. Refer to Figure 2-4 for adjustment location.
13. Repeat steps 11 and 12 until the output power level is within the tolerances indicated at both the -10 dBm and 0 dBm SRC PWR level settings. Adjust -10 dB ADJ only with the SRC POWER level set to -10 dBm , and adjust 0 dB ADJ only with the SRC PWR level set to 0 dBm .

18. Tracking Oscillator Adjustment (Option 009, 010)

Note  This is *not* a routine adjustment. This adjustment should only be performed if the range of either the automatic tracking peak adjustment (**TRACKING PEAK**) or the manual tracking peak adjustment (**MAN TRK ADJUST**) is insufficient to peak a signal.

Assembly Adjusted

A10 Tracking Generator assembly

Related Performance Test

There is no related performance test.

Description

The centering of the tracking oscillator range is adjusted in the factory to ensure that the tracking adjustment will work properly. Over a period of 5 years, however, the center frequency of the tracking oscillator range may drift outside of acceptable limits.

The tracking oscillator range is checked first. A tracking peak test is performed and the output frequency is recorded. Then the manual tracking adjustment is set to its minimum and maximum values and the output frequency is recorded. The minimum and maximum frequencies are compared to the peaked frequency. If the difference is less than 5 kHz, adjustment is necessary.

The adjustment recenters the tracking oscillator range. The A3 RF assembly is placed in its service position to perform this adjustment. A frequency counter is used to measure the output frequency.

Equipment

| | |
|------------------------------------|-----------|
| Microwave Frequency Counter | HP 5343A |
| 50 Ω Termination | 1810-0118 |
| Alignment Tool, Non-Metallic | 8710-0033 |

Cables

| | |
|---|-----------|
| BNC, 122 cm (48 in.) (2 required) | HP 10503A |
|---|-----------|

Adapters

| | |
|---------------------------------|-----------|
| Type N (f) to APC-3.5 (f) | 1250-1745 |
| Type N (m) to BNC (f) | 1250-1476 |

18. Tracking Oscillator Adjustment (Option 009, 010)

Procedure

Frequency Tracking Range Check

1. Connect a cable between the RF OUT 50Ω and INPUT 50Ω connectors on the spectrum analyzer.
2. Remove the rear-panel jumper that is between the 10 MHz REF OUTPUT and EXT REF IN jacks. Connect the frequency counter FREQ STD OUT connector to the spectrum analyzer EXT REF IN connector as shown in Figure 2-5.

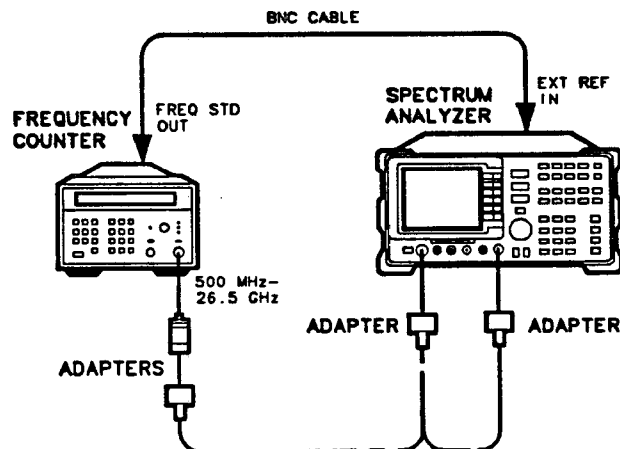


Figure 2-5. Frequency Tracking Range Setup

3. Press **PRESET** on the spectrum analyzer, then set the controls as follows:

| | | |
|-------------|--|---------|
| CENTER FREQ | | 500 MHz |
| SPAN | | 0 Hz |
4. On the spectrum analyzer, press the following key:

| | | |
|-----------------|------------------|-----------------------|
| BW | 10 | kHz |
| AUX CTRL | TRACK GEN | SRC PWR ON OFF |
| | (ON) | 5 |
| | | -dBm |
5. On the spectrum analyzer press **TRACKING PEAK**. Wait for the PEAKING message to disappear.
6. Set the microwave frequency counter controls as follows:

| | | |
|---------------------------------------|--|--------------------|
| SAMPLE RATE | | Midrange |
| 10 Hz-500 MHz/500 MHz-26.5 GHz Switch | | 500 MHz - 26.5 GHz |
| RESOLUTION | | 1 Hz |
7. Connect the RF OUT 50Ω connector to the microwave frequency counter input as shown in Figure 2-5.
8. Wait for the microwave frequency counter to gate two or three times, then record the microwave frequency counter reading below as the peaked frequency:

Peaked Frequency: _____ MHz

18. Tracking Oscillator Adjustment (Option 009, 010)

9. On the spectrum analyzer, press **MAN TRK ADJUST**, 4095, **ENTER**. Wait for the microwave frequency counter to gate two or three times, then record the microwave frequency counter reading below as the minimum frequency:

Minimum Frequency: _____ MHz

10. On the spectrum analyzer, press **MAN TRK ADJUST**, 0, **ENTER**. Wait for the microwave frequency counter to gate two or three times, then record the microwave frequency counter reading below as the maximum frequency:

Maximum Frequency: _____ MHz

11. If the absolute value of the difference between either the minimum or maximum frequency and the peaked frequency is less than 5 kHz, proceed with the adjustment procedure below. If the differences are greater than 5 kHz, no adjustment is necessary.
12. Disconnect the cable from the EXT REF IN connector, then replace the rear-panel jumper.

Adjustment Procedure

13. Remove the A3 RF Section assembly as described in Chapter 3 of this supplement. With A3 sitting on top of the A2 Display assembly, reconnect all cables from A3 to their respective jacks on A7, A9, A25, and A10. Reconnect W40 to A3A15J8. Connect the 50Ω termination to the end of W42.
14. Connect the equipment as shown in Figure 2-6. The microwave frequency counter provides the frequency reference for the spectrum analyzer.

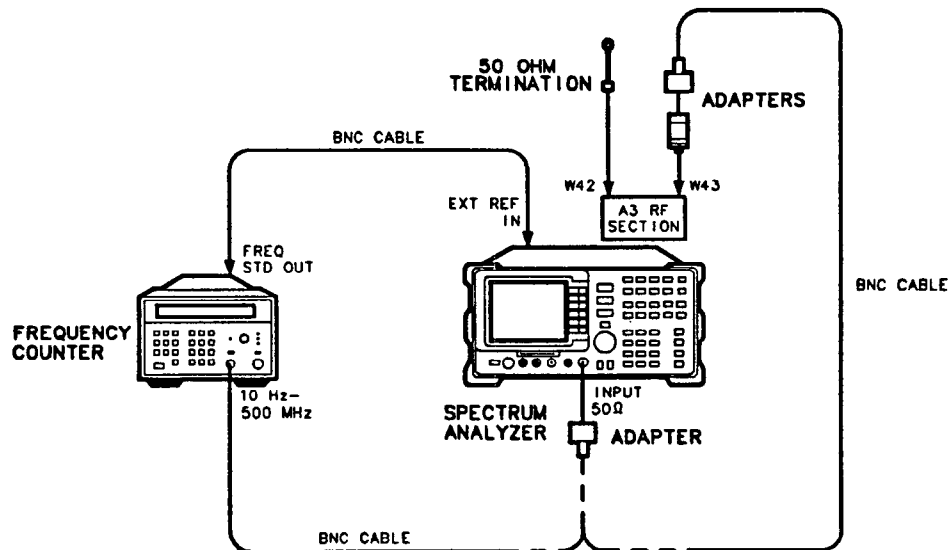


Figure 2-6. Tracking Oscillator Adjustment Setup

15. Set the spectrum analyzer **LINE** switch to on. Press **AUX CTRL**, **TRACK GEN**, **SRC PWR ON OFF** (ON). Allow the spectrum analyzer to warm up for at least 5 minutes. Set the controls as follows:

CENTER FREQ 300 MHz
 SPAN 0 Hz

18. Tracking Oscillator Adjustment (Option 009, 010)

16. Set the microwave frequency counter controls as follows:

SAMPLE RATE Fully CCW
10 Hz-500 MHz/500 MHz-26.5 GHz Switch 10 Hz-500 MHz
50Ω - 1 MΩ Switch 50Ω

17. Remove the screw used to seal the tracking oscillator adjustment.

18. On the spectrum analyzer, press **AUX CTRL**, **TRACK GEN**, **MAN TRK ADJUST**, 0, **Hz**.

19. Record the microwave frequency counter reading in Table 2-3 as F1.

20. On the spectrum analyzer, press **MAN TRK ADJUST**, 4095, **Hz**.

21. Record the microwave frequency counter reading in Table 2-3 as F2.

22. Calculate Fcenter as shown below, and record it in Table 2-3.

$$F_{center} = (F1 + F2)/2$$

23. Set SRC TRACK ADJ to 350. This sets the tracking oscillator near the center of its frequency range. (The relationship between the SRC TRACK ADJ DAC number and the output frequency is nonlinear.) Adjust SRC TRACK ADJ until the microwave frequency counter reads Fcenter ±100 Hz.

24. Record the value of SRC TRACK ADJ in Table 2-3.

Note



A3A15C3 (TRK OSC CTR) is rated for a maximum of 10 adjustment cycles. Due to this limitation, adjust TRK OSC CTR only when absolutely necessary.

25. Adjust A3A15C3 (TRK OSC CTR) until the microwave frequency counter reads 300 MHz ±500 Hz.

26. Repeat steps 17 through 24 at least once more until no further adjustment of A3A15C3 is necessary.

27. Set the spectrum analyzer **LINE** switch to off, then replace the screw removed in step 17.

28. Reinstall the A3 RF Section assembly into the spectrum analyzer.

29. Replace the rear-panel jumper between the 10 MHz REF OUTPUT and EXT REF IN connectors.

18. Tracking Oscillator Adjustment (Option 009, 010)

Table 2-3. Tracking Oscillator Range Centering

| N | F1 (MHz) | F2 (MHz) | Fcenter (MHz) | SRC TRACK ADJ Setting |
|----------|---------------------|---------------------|--------------------------|----------------------------------|
| 1 | | | | |
| 2 | | | | |
| 3 | | | | |
| 4 | | | | |
| 5 | | | | |
| 6 | | | | |

Replaceable Parts

Introduction

This chapter contains information for identifying and ordering replacement assemblies for the HP 8595A Spectrum Analyzer.

The following tables are included in this chapter:

- Table 4-2 lists all major assemblies, and all major mechanical and electrical parts that are not part of a major assembly.
- Table 4-3 lists the history of the firmware. This includes the revision dates, part numbers of the ROMs, serial number breaks, and major changes of the firmware.

Refer to chapter 4 of the *HP 8593A Portable Spectrum Analyzer Service Manual* for additional parts identification information.

Table 4-2. HP 8595A Assembly-Level Replaceable Parts

| Reference Designator | HP Part Number | CD | Description |
|----------------------|----------------|----|--|
| A1 | 08595-60004 | 0 | FRONT FRAME ASSEMBLY |
| | 08595-60009 | 5 | FRONT FRAME ASSEMBLY (OPTION 103) |
| A1A1 | 08590-60004 | 5 | BOARD ASSEMBLY, KEYBOARD |
| A1A2 | 0960-0745 | 6 | ROTARY PULSE GENERATOR |
| A1R1 | 08590-60133 | 1 | VOLUME-INTENSITY DUAL-POT ASSEMBLY |
| A2 | 5062-6404 | 7 | CRT DISPLAY ASSEMBLY (CABLES AND SHIELD NOT INCLUDED) |
| A3 | | | FRONT-END ASSEMBLY |
| A3A1 | 08569-60024 | 2 | COMB GENERATOR ASSEMBLY |
| A3A1A1 | 08569-60026 | 4 | BOARD ASSEMBLY, COMB GENERATOR |
| A3A2 | 5086-7803 | 2 | SWITCHED YIG TUNED FILTER (YTF) 6.5 GHZ |
| A3A3 | 0955-0420 | 3 | FILTER LOW PASS 2.9 GHZ SMA |
| A3A4 | 5086-7819 | 0 | SECOND CONVERTER ASSEMBLY |
| A3A5 | 5086-7777 | 8 | ATTENUATOR, 0-70 DB/DC BLOCK |
| A3A6 | 5086-7826 | 9 | DUAL BAND MIXER |
| A3A7 | 5086-7833 | 8 | YIG TUNED OSCILLATOR (YTO) 3.0-6.82 GHZ |
| A3A8 | | | NOT ASSIGNED |
| A3A9 | 9135-0252 | 0 | BANDPASS FILTER 321.3 MHZ |
| A3A10 | 0955-0098 | 1 | DIRECTIONAL COUPLER |
| A3A11 | 0955-0149 | 3 | MODULE-DIODE RECOVERY DRIVE FREQ=100 MHZ |
| A3A12 | 0955-0412 | 3 | 3 DB MICROWAVE ATTENUATOR |
| A3A13 | 0955-0204 | 1 | MICROWAVE ISOLATOR 6.6 GHZ MAX |
| A3A14 | 5086-7744 | 0 | FIRST LO DISTRIBUTION AMPLIFIER ASSEMBLY (OPTION 009, 010) |
| A3A15 | 5086-7840 | 7 | TRACKING GENERATOR ASSEMBLY (OPTION 010) |
| A7 | 08595-60001 | 7 | BOARD ASSEMBLY, ANALOG INTERFACE |
| A8 | 0950-1977 | 7 | POWER SUPPLY 100W |
| A9 | 08590-60192 | 2 | BOARD ASSEMBLY, THIRD CONVERTER |
| | 08593-60021 | 9 | BOARD ASSEMBLY, THIRD CONVERTER (OPTION 010) |
| A10 | 5062-6432 | 1 | BOARD ASSEMBLY, TRACKING GENERATOR CONTROL (OPTION 010) |
| | 5062-8219 | 6 | BOARD ASSEMBLY, LODA CONTROL (OPTION 009) |
| A11 | 08590-60195 | 5 | BOARD ASSEMBLY, BANDWIDTH FILTER #1 |
| A12 | 08590-60105 | 7 | BOARD ASSEMBLY, AMPLITUDE CONTROL |
| A13 | 08590-60195 | 5 | BOARD ASSEMBLY, BANDWIDTH FILTER #2 |
| A14 | 08590-60149 | 9 | BOARD ASSEMBLY, LOG AMP |
| A15 | 08591-60017 | 1 | BOARD ASSEMBLY, MOTHERBOARD |
| A16 | 08593-60005 | 9 | BOARD ASSEMBLY, PROCESSOR/VIDEO |
| A17 | 08590-60107 | 9 | BOARD ASSEMBLY, MEMORY CARD (OPTION 003) |
| A18 | | | NOT ASSIGNED |

Table 4-2. HP 8595A Assembly-Level Replaceable Parts

| Reference Designator | HP Part Number | CD | Description |
|----------------------|----------------|----|--|
| A19 | | | NOT ASSIGNED |
| A20 | 08590-60108 | 0 | BOARD ASSEMBLY, HP-IB I-O (OPTION 021) |
| A21 | 08590-60109 | 1 | BOARD ASSEMBLY, RS-232 I-O (OPTION 023) |
| A22 | 1813-0644 | 4 | 10 MHZ, OVEN CONTROLLED CRYSTAL OSCILLATOR (OCXO) (OPTION 004) |
| A23 | | | NOT ASSIGNED |
| A24 | | | NOT ASSIGNED |
| A25 | 08591-60027 | 3 | BOARD ASSEMBLY, COUNTER-LOCK |
| A101 | 5062-7079 | 8 | BOARD ASSEMBLY, FAST TIME DOMAIN SWEEP (OPTION 101), BLACK AND BROWN EXTRACTORS |
| A102 | 5062-1982 | 6 | BOARD ASSEMBLY, AM/FM SPEAKER/TV SYNC TRIGGER (OPTION 102), BLACK AND RED EXTRACTORS |
| A103 | 5062-1983 | 7 | BOARD ASSEMBLY, QUASI PEAK DETECTOR (OPTION 103), BLACK AND ORANGE EXTRACTORS |
| A105 | 5062-7754 | 2 | BOARD ASSEMBLY, TIME GATE (OPTION 105) BLACK AND GREEN EXTRACTORS |
| AT1 | 0955-0122 | 2 | ATTENUATOR, 10 DB |
| AT2 | 1250-2289 | 9 | 50Ω TERMINATION (OPTION 009, 010) |
| B1 | 08590-60166 | 0 | FAN ASSEMBLY |
| BT101 | 1420-0331 | 3 | BATTERY, 3.6 V, 1.7 AMP HOURS |
| F1 | 2110-0709 | 3 | FUSE 5.0A 250V F |
| FL1 | 0955-0405 | 4 | 3.9 GHZ LOW PASS FILTER |
| J1 | 1250-2180 | 3 | CONNECTOR, RF INPUT (INPUT 50Ω), TYPE N (F) |
| J2 | 1250-1753 | 4 | CONNECTOR, COMB GEN. OUTPUT, SMA (F) |
| J3 | 1250-2180 | 3 | CONNECTOR, RF OUTPUT,TYPE N (F) (OPTION 010) |
| LS1 | 08590-60134 | 2 | CABLE/SPEAKER ASSY |
| W1 | 5062-4809 | 2 | CABLE ASSY WITH LINE SWITCH, A1 TO A16J9 |
| W2 | 08590-60159 | 1 | CABLE ASSY, DISPLAY VIDEO, A2 TO A16J8 |
| W3 | 08590-60037 | 4 | CABLE ASSY, INTENSITY, WITHOUT POTENTIOMETER, A1R1 TO A2 |
| W4 | 08592-60037 | 6 | CABLE ASSY, KEYBOARD, A1A1J1 TO A16J10 |
| W5 | 5062-4826 | 3 | CABLE ASSY, PROBE POWER, WITHOUT CONNECTOR, A1A1 TO A1 |
| W6 | 1250-1499 | 5 | JUMPER, 10 MHZ REF OUTPUT TO EXT REF IN |
| W7 | 8120-5052 | 6 | CABLE ASSY, CAL OUTPUT, A9J2 TO A1 |
| W8 | 8120-5020 | 8 | CABLE ASSY, 600 MHZ DRVR, A9J5 TO A3A4J4 |
| W9 | 8120-5106 | 1 | CABLE ASSY, 2ND IF, A3A9J2 TO A9J4 |
| W10 | 08592-20056 | 5 | CABLE ASSY, RF INPUT, J1 TO A3A5J1 |
| W11 | 08595-20002 | 3 | CABLE ASSY, ATTENUATOR OUTPUT TO SWITCHED YTF , A3A5J2 TO A3A2J1 |

Table 4-2. HP 8595A Assembly-Level Replaceable Parts

| Reference Designator | HP Part Number | CD | Description |
|----------------------|----------------|----|--|
| W12 | 08592-60019 | 4 | CABLE ASSY, YTO DRIVER, A7J3 TO A3A7J1 |
| W13 | 5062-7787 | | CABLE ASSY, POWER CONTROL, A7J2 TO A3A1/A3A2/A3A6 |
| W14 | 08591-60008 | 2 | CABLE ASSY, COUNTER LOCK/MEMORY CARD CONTROL, A16J2 TO A17J1/A25J4 |
| W15 | 5062-6468 | 3 | CABLE ASSY, PRECISION FREQUENCY REFERENCE POWER, A25J3 TO A22 (OPTION 004) |
| W16 | 08591-60013 | 7 | CABLE ASSY, 10 MHZ OUTPUT, A25J7 TO REAR PANEL |
| W17 | 8120-5056 | 1 | CABLE ASSY, 10 MHZ OUTPUT, A22J1 TO REAR PANEL (OPTION 004) |
| W18 | 08591-60009 | 3 | CABLE ASSY, EXT REF IN, REAR PANEL TO A25J2 |
| W19 | 08591-60012 | 6 | CABLE ASSY, COUNT IF, A25J5 TO A15J18 |
| W20 | 8120-5068 | 5 | CABLE ASSY, SAMPLER FIRST LO, A3A10 TO AT1 |
| | | | CABLE ASSY, SAMPLER FIRST LO, A3A14J4 TO AT1 |
| W21 | 08591-60010 | 4 | CABLE ASSY, 300 MHZ COUNT LOCK DRIVE, A9J3 TO A25J1 |
| W22 | 8120-5067 | 3 | CABLE ASSY, FIRST MIXER HI BAND, A3A6J5 TO A3A4J3 |
| W23 | 8120-5058 | 2 | CABLE ASSY, 2ND CONV. 321.4 MHZ OUT, A3A4J2 TO A3A9J1 |
| W24 | 08592-60058 | 1 | CABLE ASSY, COMB GEN. OUT, A3A1J1 TO A3A11 |
| W25 | | | NOT ASSIGNED |
| W26 | 08595-20003 | 5 | SWITCHED YTF OUT, A3A2J3 TO A3A3J1 |
| W27 | 08592-20048 | 5 | CABLE ASSY, 2.9 GHZ LPF OUT, A3A3J2 TO A3A6J1 |
| W28 | 1250-1788 | 5 | CABLE ASSY, SWITCHED YTF OUT, A3A2J2 TO A3A6J3 |
| W29 | 08592-20046 | 3 | CABLE ASSY, FIRST MIXER LOW BAND, A3A6J2 TO FL1J1 |
| | 08593-20006 | 3 | CABLE ASSY, FIRST MIXER LOW BAND, A3A6J2 TO FL1J1 (OPTION 010) |
| W30 | 08592-20049 | 6 | CABLE ASSY, LPF OUTPUT, FL1J2 TO A3A4J1 |
| | 08593-20005 | 6 | CABLE ASSY, LPF OUTPUT, FL1J2 TO A3A4J1 (OPTION 010) |
| W31 | 08592-20053 | 2 | CABLE ASSY, YTO OUTPUT, A3A7J2 TO A3A13J1 |
| | 08593-20004 | 4 | CABLE ASSY, YTO OUTPUT, A3A7J2 TO A3A14J1 (OPTION 009, 010) |
| W32 | 08592-20052 | 1 | CABLE ASSY, ISOLATOR, A3A13J2 TO A3A10 |
| W33 | 08592-20065 | 6 | CABLE ASSY, DIR. CPLR. OUTPUT, A3A10 TO A3A6J4 |
| | 08593-20003 | 3 | CABLE ASSY, 3.0 TO 6.8214 GHz OUTPUT, A3A14J2 TO A3A6J4 (OPTION 009, 010) |
| W34 | 08592-60018 | 3 | CABLE ASSY, YTF DRIVER, A7J301 TO A3A2 |
| W35 | 5062-6434 | 3 | CABLE ASSY, 2ND CONV DRIVER, A7J4 TO A3A4J5 |
| W36 | 5062-4813 | 8 | CABLE ASSY, ATTENUATOR DRIVER, A7J5 TO A3A5 |

Table 4-2. HP 8595A Assembly-Level Replaceable Parts

| Reference Designator | HP Part Number | CD | Description |
|----------------------|----------------|----|--|
| W37 | 08592-20061 | 2 | CABLE ASSY, COMB GEN. OUTPUT, A3A12 TO J2 |
| W38 | 08593-60009 | 9 | CABLE ASSY, LODA DRIVE, A10J2 TO A3A14 (OPTION 010) |
| W39 | 5062-7715 | 5 | CABLE ASSY, TRACKING GENERATOR CONTROL, A10J1 TO A3A15J1 (OPTION 010) |
| W40 | 08593-60015 | 8 | CABLE ASSY, 600 MHz TRACKING GENERATOR DRIVE, A3A15J8 TO A9J7 (OPTION 010) |
| W41 | 08593-20002 | 2 | CABLE ASSY, FIRST LO, A3A14J3 TO A3A15J4 (OPTION 010) |
| W42 | 5062-7710 | 0 | CABLE ASSY, FIRST LO OUTPUT, A3A15J3 TO REAR PANEL (OPTION 009, 010) |
| W43 | 08593-20007 | 7 | CABLE ASSY, RF OUT, J3 TO A3A15J2 (OPTION 010) |
| W44-W46 | | | NOT ASSIGNED |
| W47 | 08560-60001 | 6 | CABLE ASSY, EXT ALC INPUT, REAR PANEL TO A3A15J6 (OPTION 010) |
| W48 | 8120-5401 | | CABLE ASSY, SWEEP + TUNE OUTPUT, A7J8 TO REAR PANEL (OPTION 009) |
| W49-W100 | | | NOT ASSIGNED |
| W101 | 08591-60024 | 9 | CABLE ASSY, TV TRIGGER INPUT, A102J2 TO REAR PANEL (OPTION 102) |
| W102 | 08590-60136 | 4 | CABLE ASSY, VOLUME CONTROL, A1R1 TO A102 (OPTION 102) |
| W103 | | | NOT ASSIGNED |
| W104 | 08590-60135 | 3 | CABLE ASSY, HEADPHONE, A102 TO REAR PANEL (OPTION 102, 103) |

Determine the version of firmware that is installed in the analyzer by cycling the instrument power and looking at the date displayed in the active function block.

Table 4-3. Firmware History

| Revision Date (ddmmyy) | ROM Part Number U6, U7, U23, U24 | Serial Prefix Break |
|------------------------|--|---------------------------|
| 26.10.90 | 08592-80079 08592-80080 08592-80081 08592-80082 | First Serial Prefix 3039A |

Control/Display Section Troubleshooting

Introduction

This chapter provides detailed procedures for safe-guarding the correction data stored in RAM on the A16 Processor/Video assembly, and resetting the spectrum analyzer memory after a repair or replacement of the A16 assembly.

Commands within parenthesis after a softkey, for example (LOG), are used throughout this chapter to indicate the part of a softkey which should be underlined when the key is pressed.

Refer to Chapter 6 for an overview of spectrum analyzer operation and troubleshooting procedures that are useful when starting to troubleshoot a spectrum analyzer failure.

Before You Start Troubleshooting

There are three things you must do *before* you begin troubleshooting an instrument failure:

- Familiarize yourself with the safety symbols marked on the spectrum analyzer, and read the general safety instructions and the symbol definitions given in the front of the Service Manual.
- The spectrum analyzer contains static sensitive components. Read the section entitled "Protection From Electrostatic Discharge" in Chapter 1 of the Service Manual.
- Become familiar with the organization of the troubleshooting information in Chapter 6 of the Service Manual, Chapter 6 of this supplement, and the information in this chapter.

Warning



The spectrum analyzer contains potentially hazardous voltages. Refer to the safety symbols on the spectrum analyzer and the general safety instructions in this manual before operating the unit with the cover removed. Failure to heed the safety precautions can result in severe or fatal injury.

Backing Up Spectrum Analyzer Correction Constants

This section describes how to retrieve the correction-constant data from the instrument memory and record the data as a backup copy. As long as the data remains valid it can be used to recalibrate the instrument quickly after a memory loss. It is recommended that a copy of this data be maintained in the user's records. Procedures for restoring the correction constants to battery-backed RAM memory are also provided in this section.

Note



If the current correction constants are not valid, new correction constants must be generated. Refer to the "10 MHz Reference (Standard)," "Frequency Response," and "Cal Attenuator Error Correction" adjustment procedures in Chapter 2.

The HP 8595A stores the following correction constants in RAM:

- The flatness correction constants, used to correct frequency-response amplitude errors.
- The step-attenuation correction constants, used to correct A12 Amplitude Control step-attenuator errors and provide a relative amplitude reference for the **CAL AMPTD** self-calibration routine.
- The timebase correction constant, used by the DAC that tunes the RTX0 (10 MHz timebase) on the A25 Counter Lock assembly. Instruments with Option 004, Precision Frequency Reference, do not use this correction constant.

Retrieving the Timebase and Flatness-Correction Constants

1. Make a copy of the Correction Constant Backup-Data Record, Table 9-1 through Table 9-4, at the end of this section.
2. Record the date and instrument serial number.
3. Press the following keys:

PRESET

FREQUENCY -37 **Hz**

CAL **MORE 1 of 3** **MORE 2 of 3**

Note

For Option 004 instruments, bypass the next two steps.



4. Press **VERIFY TIMEBASE**.
5. Record the number that is displayed in the active-function block in Table 9-1.

6. Press the following keys:

SERVICE CAL

FLATNESS DATA

EDIT FLATNESS

7. The signal trace represents the frequency-response (flatness) correction-constant data. The active-function block displays the frequency response error, in dB, for 12 MHz.

8. Record the frequency-response error for 12 MHz in Table 9-2.

9. Press **↵**.

Note



There is an overlap in the frequency data between bands. For example, near the edge of band 0 and band 1, the frequencies displayed will be 2.820, 2.892, 2.7500, and 2.9849 GHz.

- The data for 2.820 and 2.892 GHz is for band 0.
 - The data for 2.7500 and 2.9849 GHz is for band 1.
-

10. Record the next frequency-response error in Table 9-2.

11. Repeat the previous two steps until all frequency-response errors are recorded in Table 9-2 through Table 9-3. Use **↵** to view previous data points.

12. Press **EXIT** when all frequency-response errors have been recorded.

Retrieving the A12 Step-Gain-Correction Constants

1. Press the following keys to view the current A12 step-attenuator correction constants.

CAL **MORE 1 of 3** **MORE 2 of 3**

SERVICE DIAG

DISPLAY CAL DATA

2. Look at the first five entries in the ERR column; they are the amplitude errors for the 1 dB, 2 dB, 4 dB, 8 dB, and 16 dB step-attenuators.

3. Record the amplitude errors (correction constants) for the five step-attenuators in Table 9-4.

File the completed copy of the Correction-Constant Data Record for future reference.

Correction Constant Backup-Data Record

| | |
|-------------------------|------------|
| Hewlett-Packard Company | |
| Model HP 8595A | |
| Serial No. _____ | Date _____ |

**Table 9-1.
RTXO Timebase Correction Constant (Instruments without Option 004)**

| | |
|----------|-------|
| Timebase | _____ |
|----------|-------|

Table 9-2. Frequency-Response Correction Constants—Band 0

| Frequency (GHz) | Error (dB) | Frequency (GHz) | Error (dB) | Frequency (GHz) | Error (dB) | Frequency (GHz) | Error (dB) |
|-----------------|------------|-----------------|------------|-----------------|------------|-----------------|------------|
| 0.012 | _____ | 0.804 | _____ | 1.596 | _____ | 2.388 | _____ |
| 0.084 | _____ | 0.876 | _____ | 1.668 | _____ | 2.460 | _____ |
| 0.156 | _____ | 0.948 | _____ | 1.740 | _____ | 2.532 | _____ |
| 0.228 | _____ | 1.020 | _____ | 1.812 | _____ | 2.604 | _____ |
| 0.300 | _____ | 1.092 | _____ | 1.884 | _____ | 2.676 | _____ |
| 0.372 | _____ | 1.164 | _____ | 1.956 | _____ | 2.748 | _____ |
| 0.444 | _____ | 1.236 | _____ | 2.028 | _____ | 2.820 | _____ |
| 0.516 | _____ | 1.308 | _____ | 2.100 | _____ | 2.892 | _____ |
| 0.588 | _____ | 1.380 | _____ | 2.172 | _____ | | |
| 0.660 | _____ | 1.452 | _____ | 2.244 | _____ | | |
| 0.732 | _____ | 1.524 | _____ | 2.316 | _____ | | |

Correction Constant Backup-Data Record

| | |
|-------------------------|------------|
| Hewlett-Packard Company | |
| Model HP 8595A | |
| Serial No. _____ | Date _____ |

Table 9-3. Frequency-Response Correction Constants—Band 1

| Frequency (GHz) | Error (dB) | Frequency (GHz) | Error (dB) | Frequency (GHz) | Error (dB) | Frequency (GHz) | Error (dB) |
|-----------------|------------|-----------------|------------|-----------------|------------|-----------------|------------|
| 2.7500 | _____ | 3.9245 | _____ | 5.0990 | _____ | 6.2735 | _____ |
| 2.9849 | _____ | 4.1594 | _____ | 5.3339 | _____ | 6.5084 | _____ |
| 3.2198 | _____ | 4.3943 | _____ | 5.5688 | _____ | | |
| 3.4547 | _____ | 4.6292 | _____ | 5.8037 | _____ | | |
| 3.6896 | _____ | 4.8641 | _____ | 6.0386 | _____ | | |

Table 9-4. A12 Step-Attenuator Correction Constants

| Attenuator Step | ERR (dB) | Attenuator Step | ERR (dB) |
|-----------------|----------|-----------------|----------|
| 1 dB | _____ | 4 dB | _____ |
| 2 dB | _____ | 8 dB | _____ |
| | | 16 dB | _____ |

A16 Memory Reset

Note



Before performing a memory reset, check the status LEDs on the A16 assembly at instrument power-up. If the A16 LEDs, DS1 through DS16, do not cycle on and off at power-up, there is a problem with the A16 central processing unit (CPU) that a memory reset will not correct. (It is normal for DS13 to remain on after pressing **PRESET**.)

The A16 memory may contain erroneous information that causes the A16 CPU to malfunction. The following are possible memory-failure symptoms.

- A random display periodically flashes on-screen. Refer to the “Symptoms of a Dead Battery” section in this chapter.
- Following instrument preset, the error message FAIL: 0330 0000000000 is displayed. Refer to the “Symptoms of a Dead Battery” section in Chapter 6.
- The spectrum analyzer halts during power-up or when **PRESET** is used.

A CPU malfunction can be caused by a user's accidentally writing to a sensitive memory location or by a defective down-loadable program (DLP). The spectrum analyzer may also appear to be defective because the CPU is making extreme instrument corrections based on erroneous calibration data.

Performing an A16 Memory Reset

There are three levels of memory reset; each level has a greater effect on the instrument memory.

1. Before doing a memory reset, enter the -37 Hz passcode and use **DEFAULT CAL DATA** to bypass the current calibration data.
 - If the instrument functions properly, recalibrate it using the self-calibration routines.
 - If the instrument still does not function properly, continue with the next level of memory reset.

2. Use **DISPOSE USER MEMORY** to eliminate all programs stored in user memory.

All down-loaded programs (DLPs) that are stored in user memory must be reloaded after using this function.

Refer to the *HP 8594A/8595A Installation and Verification Manual* for information about **DISPOSE USER MEMORY**.

Caution



The following memory-reset procedure is the most extreme level of memory reset. It should be performed only if all other attempts at solving the problem have failed. A memory reset will delete all the correction constants stored in RAM. New correction constants must be generated if the original correction constants were not saved before the spectrum analyzer failed.

Use the procedures in “Backing Up the Correction Constants” to retrieve the correction constants.

3. Use the following procedure to erase all RAM memory. This procedure disables the battery-backed RAM by shorting the holding capacitor, C106, that is in parallel with the BT101 Battery.

1. Turn the spectrum analyzer off and disconnect line power.
2. Remove the instrument cover. Refer to the instrument cover removal procedure in Chapter 3.
3. Position the spectrum analyzer so that the bottom side is facing up.
4. Locate U104 on the A16 assembly. Refer to Figure 9-1.

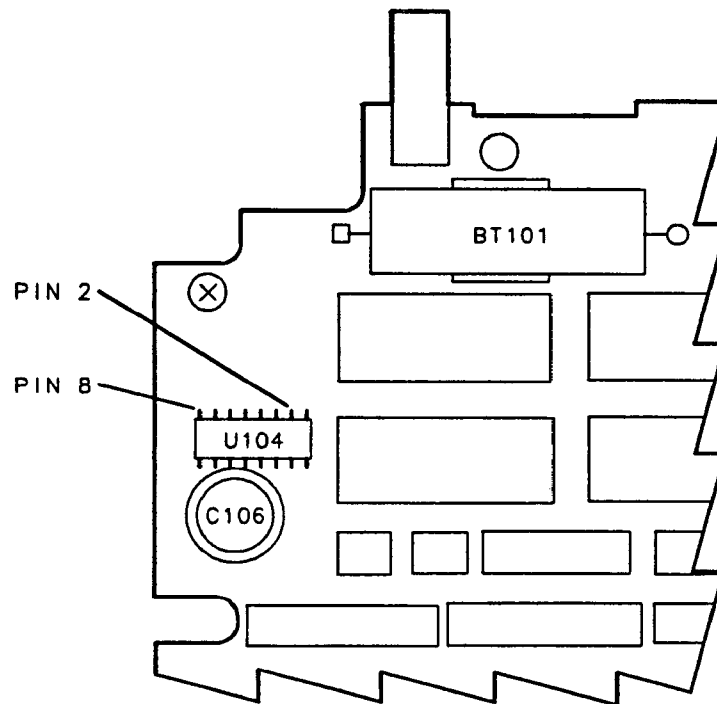


Figure 9-1. Location of U104 on the A16 Assembly

5. Connect a small jumper wire from pin 2 to pin 8 on U104 for approximately 10 seconds.
6. Reconnect the line cord and turn the instrument on.

Instrument Response after Memory Reset

After a memory reset, the spectrum analyzer may display one of the following symptoms:

- A random display periodically flashes on-screen.
- An empty rectangle appears, closely followed by the message SYMTAB EMPTY or INVALID SCR MOVE. Approximately 8 seconds later, the instrument performs an instrument preset and the error message FAIL: 0330 0000000000 is displayed.

If the random display appears, the spectrum analyzer did not automatically load the default-correction data and cannot perform an instrument preset. The CPU is cycling slowly

but is not able to recover. Although the softkeys are not visible, load the default-calibration data by performing the following steps:

Note

Allow approximately 2 seconds between each key press so that the CPU has time to respond.



1. Press **FREQUENCY**.
2. Enter the -37 Hz passcode.
3. Press **CAL**.
4. Press the lowest softkey—**MORE 1 OF 3**.
5. Press the lowest softkey again—**MORE 2 OF 3**.
6. Press the third softkey from the top—**DEFAULT CAL DATA**.

After the default calibration-data is accepted, the spectrum analyzer should recover by performing an instrument preset.

- If the spectrum analyzer does not recover, repeat the six steps above.
- If a normal display appears, continue at “Spectrum Analyzer Recovery after a A16 Memory Loss.”
- If the error message FAIL: 0330 0000000000 is displayed, it is not a problem. Continue at the next section.

Spectrum Analyzer Recovery after a A16 Memory Loss

The procedures in this section restore the correction constants recorded on the Correction Constant Backup-Data Record to spectrum analyzer memory, initialize the analyzer settings that are lost after a memory failure, and recalibrate the spectrum analyzer.

Note

If the current correction constants are not valid, new correction constants must be generated and stored in memory.

- Perform the steps in “Resetting the Spectrum Analyzer Power-On Units.”
 - Perform the “10 MHz Reference (Standard),” “Frequency Response,” and “Cal Attenuator Error Correction” adjustment procedures in Chapter 2 to generate new correction constants.
 - Return to this procedure and perform the steps in “Instrument Recalibration after Reloading the Correction Constants.”
-

Resetting the Spectrum Analyzer Power-On Units

1. Turn the spectrum analyzer on.

Note



After a memory loss, the spectrum analyzer may display one of the following symptoms:

- A random display periodically flashes on-screen.
- An empty rectangle appears, closely followed by the message SYMTAB EMPTY or INVALID SCR MOVE. Approximately 8 seconds later, the instrument performs an instrument preset and the error message FAIL: 0330 0000000000 is displayed.

Perform the steps in “Instrument Response after Memory Reset” in the previous section and then continue with this procedure.

2. Set the spectrum analyzer power-on units by pressing the following spectrum analyzer keys:

PRESET
FREQUENCY -2001 **Hz**
AMPLITUDE MORE 1 of 3 **INPUT 2, 50 75** (50)
AMPLITUDE **SCALE LOG LIN** (LOG)
MORE 1 of 3 **AMPTD UNITS** **dBm**
AMPLITUDE **SCALE LOG LIN** (LIN)
MORE 1 of 3 **AMPTD UNITS** **Volts**
AMPLITUDE **SCALE LOG LIN** (LOG)
CAL MORE 1 of 3 MORE 2 of 3
SERVICE CAL
STOR POWR ON UNITS

Reloading the Timebase and Flatness Correction Constants

Ensure that all recorded correction constants are valid before they are reentered in the instrument memory. Repair, replacement, or adjustment of particular assemblies requires the generation of new correction constants. Refer to Table 6-2, “Adjustments and Tests for Replaced or Repaired Assemblies,” for the assemblies that affect the correction constants.

1. Press the following keys to eliminate erroneous data that may be stored in RAM:

PRESET
FREQUENCY -37 **Hz**
CAL MORE 1 of 3 MORE 2 of 3
DEFAULT CAL DATA

2. Press the following keys to enter the service calibration menu:

PRESET
FREQUENCY -2001 **Hz**
CAL **MORE 1 of 3** **MORE 2 of 3**
SERVICE CAL

Note For Option 004 instruments, bypass the next four steps.



3. Press **CAL TIMEBASE**.

4. Enter the value from Table 9-1.

5. Press the following keys to store the timebase data in memory:

CAL **MORE 1 of 3**
CAL FETCH
MORE 2 of 3 **MORE 3 of 3**
CAL STORE

6. Press the following keys to reenter the passcode and return to the service calibration menu:

FREQUENCY -2001 **Hz**
CAL **MORE 1 of 3** **MORE 2 of 3**
SERVICE CAL

7. On the spectrum analyzer press the following keys:

FLATNESS DATA
IDNUM 5 **ENTER**

8. Press **INIT FLT** to initialize the area of memory where the flatness data is stored, and set the start frequency, stop frequency and step size for the entry of the flatness correction constants.

9. Press the following keys before entering the correction data:

FREQUENCY -2001 **Hz**
CAL **MORE 1 of 3** **MORE 2 of 3**
SERVICE CAL
FLATNESS DATA
EDIT FLATNESS

10. Enter the correction constant for 12 MHz from Table 9-2 and terminate the entry with the **+dBm** or **-dBm** key, as appropriate.
11. Enter each correction constant from Table 9-2. Each entry is displayed briefly before the data-entry routine steps to the next correction data point.
12. Use **↑** and **↓** to edit previously entered correction data.
13. When all flatness correction constants are entered, press **STORE FLATNESS**. The spectrum analyzer will automatically preset.

Reloading the A12 Step-Gain-Correction Constants

1. Press the following keys before reloading the step-attenuator correction constants:

PRESET
FREQUENCY -2001 **Hz**
CAL MORE 1 of 3 MORE 2 of 3
SERVICE CAL
SET ATTN ERROR

REF LVL OFFSET is displayed in the active-function block above the prompt ENTER CAL ATTN ERROR 1.

2. At the prompt, Enter the five step-attenuator correction constants (resolution 0.01 dB) from Table 9-4.

Terminate each entry with either **+dBm** or **-dBm**, as appropriate. Each entry is displayed to the left of the graticule as an amplitude offset, but only with 0.1 dB resolution. An instrument preset occurs after the 16 dB step-attenuator error is entered.

Instrument Recalibration after Reloading the Correction Constants

1. Connect the CAL cable from CAL OUT to INPUT 50Ω.
2. Perform the self-calibration routines by pressing the following keys:

PRESET
FREQUENCY -37 **Hz**
CAL FREQ & AMPTD

When CAL: DONE is displayed in the active-function block, the instrument is calibrated. The calibration procedure takes approximately 8 minutes.

3. Perform the "CAL YTF" and "CAL MXR" adjustment procedures in Chapter 2.
4. Adjust the vertical and horizontal position of the display using **CRT VERT POSITION** and **CRT HORZ POSITION**.
Refer to the "Display Position" section of the "Display" adjustment procedure in Chapter 2.
5. Press **CAL** and **CAL STORE** to store the correction values in nonvolatile memory.

Note

Refer to the *HP 8594A/8595A Spectrum Analyzer Installation and Verification Manual* for a description of the default settings provided by **DEFAULT CONFIG**.

6. Press the following keys to clear user memory and return the instrument to the default configuration:

CONFIG

MORE 1 of 2

DISPOSE USER MEM

DEFAULT CONFIG

7. If a new A16 assembly (with a new battery attached) is installed, enter the replacement date on the battery label located on the rear-frame of the spectrum analyzer.
8. Adjust the time and date. Refer to the "Time and Date" adjustment procedure in Chapter 2 of this manual.

Softkey Descriptions

Introduction

Refer to this chapter for an explanation of the HP 8595A Spectrum Analyzer passcodes, the two types of instrument correction data, and the service-related softkeys that are available after pressing **CAL**.

Refer to chapterd 10 of the *HP 8593A Portable Spectrum Analyzer Service Manual* for additional softkey descriptions.

Calibration, Service, and Diagnostic Softkey Functions

The front-panel **CAL** key provides the softkey menus for the self-calibration routines, the confidence test, the service-calibration and service-diagnostic routines. Refer to Figure 10-1 for the organization of the softkeys related to **CAL**.

Caution

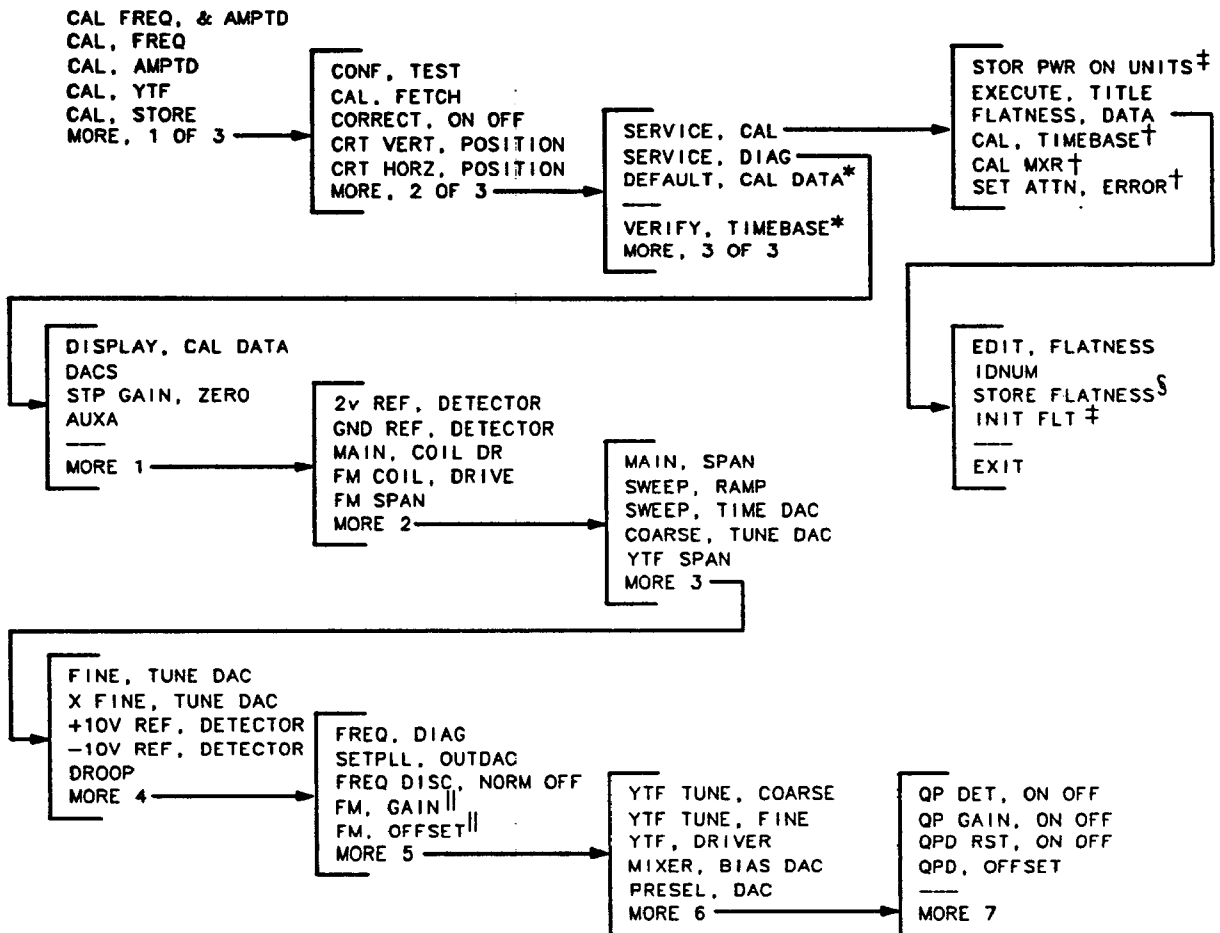


Correction-constant data can be lost if the **SERVICE CAL** softkeys are used improperly. Refer to the appropriate softkey description for instructions on softkey usage.

CAL Softkey Organization

Figure 10-1 provides the organization of all softkeys available after pressing **CAL**. Each block of softkeys represents the softkeys that are displayed at one time. The diagram flow indicates the actual key sequence used for each softkey. The footnotes identify softkeys that appear only when a passcode has been entered or a specific instrument option is installed in the analyzer.

CAL



- * Function is not active unless either -37 Hz or -2001 Hz Passcode is entered.
- † Function is not active unless -2001 Hz Passcode is entered.
- ‡ Present only if -2001 Hz Passcode is entered.
- § Present only if -2001 Hz Passcode is entered and "EDIT FLATNESS" softkey is pressed.
- || Present for Option 102 only.

Figure 10-1. Calibration, Service, and Diagnostic Softkey Tree

Passcodes

Passcodes activate specific softkey functions and protect the correction data from accidental erasure or modification. The two passcodes, -37 Hz and -2001 Hz, are explained below.

- Use the -37 Hz passcode to perform the following functions:
 - Replace the current calibration-factors with the default calibration data provided by **DEFAULT CAL DATA**.
 - Check the accuracy of the 10 MHz frequency reference using **VERIFY TIMEBASE**. Refer to the 10 MHz Reference Accuracy (Standard Timebase) Verification Test in the *HP 8591A/8599A Installation, Verification, and Operation Manual*.
 - Bypass the CAL OUT set-up check within individual self-calibration routines.
- Use the -2001 Hz service passcode to perform the following functions:
 - Set the start frequency, stop frequency, and step size of the flatness correction points using **INIT FLT**.
 - Edit the flatness-correction constants using **EDIT FLATNESS**.
 - Edit the A12 Amplitude Control step-attenuator correction constants using **SET ATTN ERROR**.
 - Perform the **CAL MXR** calibration routine.
 - Set the correction factor for the 10 MHz frequency reference (standard timebase).
 - Modify the displayed power units that appear when the instrument is first turned on using **STOR PWR ON UNITS**.
 - Bypass the CAL OUT signal check within individual self-calibration routines.

Entering A Passcode

The passcode must be entered before pressing **CAL**. Press the following keys to enter a passcode.

FREQUENCY

-37 **Hz** or -2001 **Hz**

CAL

When SRVC appears in the lower-left corner of the display, the passcode has been accepted.

Understanding Instrument Correction Data

The firmware uses correction data to improve instrument performance by minimizing the effect of variations in hardware. There are two categories of correction data:

- Self-calibration correction factors.
- Service-calibration correction constants.

All correction data can be displayed and modified with the softkey functions provided by **CAL**.

Self-Calibration Correction Factors

Self-calibration correction factors enhance instrument accuracy by adjusting DACs on the A7 Analog Interface assembly and by adding offsets to trace information. The correction factor data is stored in nonvolatile memory on the A16 Processor/Video assembly after pressing **CAL STORE**.

The correction-factor data is produced by the **CAL AMPTD**, **CAL FREQ**, and **CAL YTF** self-calibration routines. The horizontal and vertical display positions, adjusted by **CRT VERT POSITION** and **CRT HORZ POSITION**, are also retained.

Refer to the softkey descriptions in this section for further information.

Service-Calibration Correction Constants

The service-calibration correction constants enhance instrument performance by compensating for frequency-response variation and A12 Amplitude Control step-attenuation errors. The correction constants are unique for each instrument.

The correction constants for frequency response can be viewed, or modified, using **FLATNESS DATA**. Refer to the Frequency Response adjustment procedure in Chapter 2 for instructions on generating new correction constants.

The correction constants for step-attenuation errors on the A12 Amplitude Control assembly can be modified using **SET ATTN ERROR**. Refer to the Cal Attenuator adjustment procedure in Chapter 2 for instructions on generating new correction constants.

The frequency of the 10 MHz standard timebase, a room temperature crystal oscillator (RTXO), is controlled by a DAC located on the A25 Counter Lock assembly. Refer to the 10 MHz Reference (Standard) procedure in chapter 2 to adjust the timebase DAC using **CAL TIMEBASE**.

The initial service-calibration correction constants are stored by the factory in nonvolatile memory on the A16 assembly. After shipment, new correction constants must be manually generated whenever an adjustment or repair affects frequency response or A12 Amplitude Control step attenuation.

Refer to "After an Instrument Repair" in Chapter 6 for the specific assemblies that affect frequency response. Whenever the A16 Processor/Video assembly is replaced, new correction constants must also be generated, unless valid correction constants were saved prior to the instrument failure.

Note

The manual generation of the new service-calibration correction constants is a lengthy procedure. Avoid having to generate new correction constants manually by periodically recording the current correction constants. Refer to "Backing Up Analyzer Correction Constants" in Chapter 9.

Refer to the softkey descriptions in this section for specific information about the use and modification of the correction-constant data.