

Errata

Title & Document Type: 8660C Synthesized Signal Generator Operating and Service Manual

Manual Part Number: 08660-90090

Revision Date: January 1981

About this Manual

We've added this manual to the Agilent website in an effort to help you support your product. This manual provides the best information we could find. It may be incomplete or contain dated information, and the scan quality may not be ideal. If we find a better copy in the future, we will add it to the Agilent website.

HP References in this Manual

This manual may contain references to HP or Hewlett-Packard. Please note that Hewlett-Packard's former test and measurement, life sciences, and chemical analysis businesses are now part of Agilent Technologies. The HP XXXX referred to in this document is now the Agilent XXXX. For example, model number HP8648A is now model number Agilent 8648A. We have made no changes to this manual copy.

Support for Your Product

Agilent no longer sells or supports this product. You will find any other available product information on the Agilent Test & Measurement website:

www.agilent.com

Search for the model number of this product, and the resulting product page will guide you to any available information. Our service centers may be able to perform calibration if no repair parts are needed, but no other support from Agilent is available.

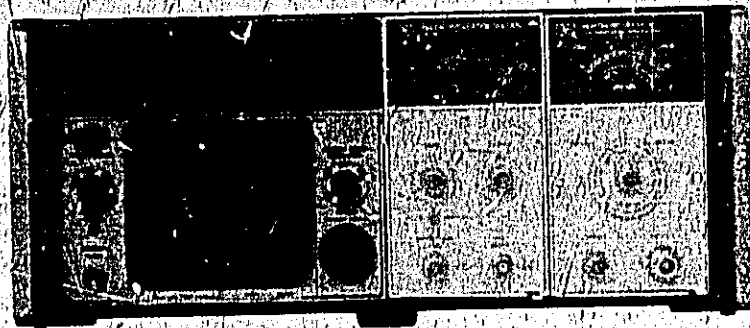


Agilent Technologies

HP 8660C

OPERATING AND SERVICE MANUAL

8660C SYNTHESIZED SIGNAL GENERATOR



**HEWLETT
PACKARD**

HP 8660C

CERTIFICATION

Hewlett-Packard Company certifies that this product met its published specifications at the time of shipment from the factory. Hewlett-Packard further certifies that its calibration measurements are traceable to the United States National Bureau of Standards, to the extent allowed by the Bureau's calibration facility, and to the calibration facilities of other International Standards Organization members.

WARRANTY

This Hewlett-Packard instrument product is warranted against defects in material and workmanship for a period of one year from date of shipment. During the warranty period, Hewlett-Packard Company will, at its option, either repair or replace products which prove to be defective.

For warranty service or repair, this product must be returned to a service facility designated by HP. Buyer shall prepay shipping charges to HP and HP shall pay shipping charges to return the product to Buyer. However, Buyer shall pay all shipping charges, duties, and taxes for products returned to HP from another country.

HP warrants that its software and firmware designated by HP for use with an instrument will execute its programming instructions when properly installed on that instrument. HP does not warrant that the operation of the instrument, or software, or firmware will be uninterrupted or error free.

LIMITATION OF WARRANTY

The foregoing warranty shall not apply to defects resulting from improper or inadequate maintenance by Buyer, Buyer-supplied software or interfacing, unauthorized modification or misuse, operation outside of the environmental specifications for the product, or improper site preparation or maintenance.

NO OTHER WARRANTY IS EXPRESSED OR IMPLIED. HP SPECIFICALLY DISCLAIMS THE IMPLIED WARRANTIES OF MERCHANTABILITY AND FITNESS FOR A PARTICULAR PURPOSE.

EXCLUSIVE REMEDIES

THE REMEDIES PROVIDED HEREIN ARE BUYER'S SOLE AND EXCLUSIVE REMEDIES. HP SHALL NOT BE LIABLE FOR ANY DIRECT, INDIRECT, SPECIAL, INCIDENTAL, OR CONSEQUENTIAL DAMAGES, WHETHER BASED ON CONTRACT, TORT, OR ANY OTHER LEGAL THEORY.

ASSISTANCE

Product maintenance agreements and other customer assistance agreements are available for Hewlett-Packard products.

For any assistance, contact your nearest Hewlett-Packard Sales and Service Office. Addresses are provided at the back of this manual.

8660C SYNTHESIZED SIGNAL GENERATOR

Including Options 001, 002, 003, 004, 005, 908 and 100

SERIAL NUMBERS

This manual applies directly to instruments with serial numbers prefixed 2044A.

With changes described in Section VII, this manual also applies to instruments with serial numbers prefixed 1416A, 1504A, 1508A, 1520A, 1538A, 1542A, 1548A, 1615A, 1629A, 1633A, 1636A, 1638A, 1643A, 1702A, 1707A, 1709A, 1722A, 1723A, 1730A, 1748A, 1806A, 1810A, 1815A, 1818A, 1842A, 1846A, 1850A, 1932A, and 1947A.

For additional important information about serial numbers, see INSTRUMENTS COVERED BY MANUAL in Section I.



**HEWLETT
PACKARD**

© Copyright HEWLETT-PACKARD COMPANY 1975, 1977, 1979, 1981
1501 PAGE MILL ROAD, PALO ALTO, CALIFORNIA, U.S.A.

MANUAL PART NUMBER. 08660-90090
Operating Manual Part No. 08660-90091
Microfilm Part No. 08660-90092

Printed: January 1981

CONTENTS

Section	Page	Section	Page
I GENERAL INFORMATION	1-1	5-4. Equipment Required	5-1
1-1. Introduction	1-1	5-7. Adjustment Aids	5-1
1-6. Specifications	1-1	5-9. Factory Selected Components	5-1
1-8. Instruments Covered by Manual	1-1	5-13. Related Adjustments	5-1
1-13. Description	1-3	5-16. Adjustment Locations	5-1
1-16. General Operating Principles	1-3	5-18. Checks and Adjustments	5-1
1-23. Options	1-3	5-20. Safety Considerations	5-3
1-31. Equipment Required But Not Supplied	1-4	5-26. Power Supply	5-4
1-33. Equipment Available	1-4	5-27. Reference Section	5-6
1-35. Accessories Supplied	1-4	5-28. 10 MHz Bandpass Filter Adjustment (After Repair)	5-12
1-37. Warranty	1-4	5-29. 10 MHz Bandpass Filter Adjustment	5-13
1-39. Test Equipment and Accessories	1-4	5-30. High Frequency Section	5-14
1-41. Electrical Protection	1-4	5-31. N1 Phase Lock Loop	5-20
II INSTALLATION	2-1	5-32. N2 Phase Lock Loop	5-22
2-1. Introduction	2-1	5-33. N3 Phase Lock Loop	5-24
2-3. Initial Inspection	2-1	5-34. Summing Loop 2 (SL2)	5-26
2-6. Preparation for Use	2-1	5-35. Summing Loop 1 (SL1)	5-29
2-7. Power Requirements	2-1	5-36. DCU Sweep Output	5-31
2-9. Line Voltage Selection	2-1	VI REPLACEABLE PARTS	6-1
2-12. Power Cable	2-2	6-1. Introduction	6-1
2-14. Mating Connectors	2-2	6-3. Exchange Assemblies	6-1
2-16. Operating Environment	2-2	6-5. Abbreviations	6-1
2-19. Bench Operation	2-3	6-7. Replaceable Parts List	6-1
2-21. Rack Mounting (Option 908)	2-3	6-11. Ordering Information	6-1
2-23. Storage and Shipment	2-3	6-14. Spare Parts Kit	6-1
2-24. Environment	2-3	6-16. Illustrated Parts Breakdowns	6-2
2-26. Packaging	2-3	VII MANUAL CHANGES	7-1
III OPERATION	3-1	7-1. Introduction	7-1
3-1. Introduction	3-1	7-3. Manual Changes	7-1
3-4. Panel Features	3-1	7-6. Manual Change Instructions	7-4
3-6. Operator's Maintenance	3-1	7-7. Instrument Improvement Modifications	7-36
3-8. Operating Principles	3-1	7-9. Improvement in Filtering of Reference Sig- nal From Crystal Oscillator is Added to the A22 Reference Switch Assembly (Serial Prefixes 1416)	7-36
3-10. Local Operation	3-1	7-11. Addition of Shock Mounting for the A21 Reference Oscillator Assembly (Serial Prefixes 1504 and below)	7-36
3-13. Operating Modes	3-4	7-13. Improvement in FM Distortion while in FM MODE with the Addition of A4A8 (Serial Prefixes 1508 and below)	7-36
3-22. Operator's Checks	3-4	7-15. Improvement in Reliability of Power Supply Assemblies Under all Environmental Con- ditions (Serial Prefixes 1520 and below)	7-36
3-25. Modulator Units	3-4	7-17. Improvement in the Adjustment of Reference Loop Bandwidth and Capture Range (Ser- ial Prefixes 1538 and below)	7-36
3-27. RF Units	3-9		
3-29. Remote Operation	3-9		
3-31. General Programming Requirements	3-9		
3-33. BCD Remote Operation	3-9		
3-44. HP-IB Remote Operation	3-11		
IV PERFORMANCE TESTS	4-1		
4-1. Introduction	4-1		
4-3. Equipment Required	4-1		
4-5. Test Record	4-1		
4-7. Internal Crystal Oscillator Aging Rate	4-1		
4-8. Reference Test	4-3		
V ADJUSTMENTS	5-1		
5-1. Introduction	5-1		

CONTENTS (Cont'd)

Section	Page	Section	Page
7-19. Improvement in Tuning the 10 MHz Trap on the \emptyset Error Line and Changing Current Limit of the +5.25V Power Supply (Serial Prefixes 1542 and below)	7-36	7-39. Improvement in Data Transfer on A3A1 Front Interface Board Assembly (Serial Prefixes 1709 and below)	7-37
7-21. Improvement in Reliability with F Wattage Resistor (Serial Prefixes 1548 and below)	7-36	7-41. Improvement in Turn-on Status of A1A1 Switch Control Assembly (Serial Prefixes 1722 and below)	7-38
7-23. Improvement in Reduction of Spur (Serial Prefixes 1615 and below)	7-36	VIII SERVICE	8-1
7-25. Improvement in Power Detect Circuitry (Serial Prefixes 1629 and below)	7-36	8-1. Introduction	8-1
7-27. Improvement in Power Detect Circuitry (Serial Prefixes 1633 and below)	7-37	8-3. Principles of Operation	8-1
7-29. Elimination of Voltage Spikes (Serial Prefixes 1636 and below)	7-37	8-5. Troubleshooting	8-1
7-31. Elimination of Race Condition (Serial Prefixes 1638 and below)	7-37	8-8. Recommended Test Equipment	8-2
7-33. Regulation of the +30V Supply to the Reference Oscillator Oven (Serial Prefixes 1643 and below)	7-37	8-11. Repair	8-2
7-35. Improvement in Filtering of the -10V Supply (Serial Prefixes 1702 and below)	7-37	8-12. Factory Selected Components	8-2
7-37. Elimination of a Race Condition on the A1A8 Sweep Control Assembly (Serial Prefixes 1707 and below)	7-37	8-14. Board Repair	8-2
		8-24. Module Exchange	8-3
		8-26. Safety Requirements	8-3
		8-28. Service Aids	8-3
		8-36. Algorithmic State Machines (ASM's)	8-3
		8-59. Decimal Entry State Path	8-11
		8-65. Units Entry State Path	8-11
		8-71. Mnemonics	8-13
		8-74. Logic Symbols and Descriptions	8-13
		8-78. Troubleshooting	8-13
		8-87. Principles of Operation	8-83
		8-107. Digital Control Unit Troubleshooting	8-84
		8-124. DCU Repair	8-90

ILLUSTRATIONS

Figure	Page	Figure	Page
1-1. Model 8660C and Accessories Supplied	1-0	5-5. RF Level Checks Typical Waveform	5-8
2-1. Line Voltage Selection	2-2	5-6. 100 MHz Band-pass Filter Adjustment Test Setup	5-9
2-2. Power Cable HP Part Numbers	2-3	5-7. Oscilloscope Level Checks Test Setup	5-11
2-3. Preparation for Rack Mounting	2-3	5-8. A22A1 Adjustment Test Setup (After Repair)	5-12
3-1. Front and Rear Panel Controls, Indicators and Connectors	3-2	5-9. A22A1 Adjustment Test Setup	5-13
3-2. Model 8660C Data Input Timing	3-10	5-10. Phase Detector Response Adjustment Test Setup	5-14
3-3. Model 8660C Error Output Timing	3-10	5-11. Voltage Controlled Oscillator Adjustments Test Setup	5-16
3-4. Handshake Flow Chart	3-18	5-12. Loop Gain Adjustment Test Setup	5-18
3-5. HP-IB Address Switch S1 with Factory Set ASCII Address Code 3 Selected (19 ₁₀)	3-19	5-13. 10 MHz Trap Adjustment Test Setup	5-19
4-1. Crystal Oscillator Aging Rate Test Setup	4-1	5-14. Output Amplitude Check Test Setup	5-20
4-2. Internal Reference Test Setup	4-3	5-15. N1 Loop Test Setup	5-20
5-1. Power Supply Test Setup	5-4	5-16. N2 Loop Test Setup	5-23
5-2. Reference Accuracy Adjustment Test Setup	5-6	5-17. N3 Loop Test Setup	5-25
5-3. 100 MHz Adjustment Test Setup	5-7	5-18. SL1 and SL2 Test Setup	5-27
5-4. RF Level Checks Test Setup	5-7	5-19. SL1 Test Setup	5-29

ILLUSTRATIONS (Cont'd)

Figure	Page	Figure	Page
6-1. Cabinet Parts	6-57	8-9. 8660C Keyboard Simplified Diagram	8-87
6-2. DCU Front Panel Parts	6-58	8-10. ASM Troubleshooting Flow Chart (for Numeric Key Pressed)	8-89
7-1. Reference Circuit Schematic Backdating (Partial Diagram, Part of Change A)	7-4	8-11. Integrated Circuit Packaging	8-90
7-2. Reference VCO and Divider Schematic Backdating (Partial Diagram, Part of Change C)	7-6	8-12. Model 8660C System Block Diagram	8-91
7-3. Power Supply Schematic	7-9	8-13. Model 8660C Block Diagram	8-93
7-4. Power Supply Schematic Backdating (Partial Diagram, Part of Change F)	7-11	8-14. A21 Reference Oscillator Assembly	8-95
7-5. HP-IB Output Assembly Schematic Backdating (Partial Diagram, Part of Change H)	7-13	8-15. A22 Assembly Component Locations	8-95
7-6. Option 005 A3A1 Component Locations Backdating (Part of Change I)	7-15	8-16. A4A2 Reference Phase Detector Component Locations	8-95
7-7. HP-IB Output Assembly Backdating Schematic (Part of Change I)	7-16	8-17. A4A1 Reference Divider Component Locations	8-95
7-8. A3A1 Front Interface Board Component Locations Backdating (Part of Change J)	7-18	8-18. Reference Circuit Schematics	8-95
7-9. A3A1 Front Interface Board Schematic Backdating (Part of Change J)	7-19	8-19. A4A4 Reference VCO Component Locations	8-97
7-10. Power Supply Schematic Backdating (Part of Change M)	7-20	8-20. A4A3 Reference Divide-by-Two Component Locations	8-97
7-11. A1A8 Sweep Count Assembly Component Locations Backdating (Part of Change O)	7-21	8-21. Reference VCO and Divider Schematic	8-97
7-12. A1A8 Sweep Count Assembly Backdating Schematic (Part of Change O)	7-22	8-22. A4A6 HF Loop Pretuning Component Locations	8-99
7-13. Front Output Interface Board Component Location Backdating (Part of Change P)	7-23	8-23. HF Loop Pretuning Circuit Schematic	8-99
7-14. Front Interface Board Schematic Backdating (Part of Change P)	7-25	8-24. A4A7 HF Loop Phase Detector Component Locations	8-101
7-15. Option 005 A3A2 Component Locations Backdating (Part of Change X)	7-29	8-25. Sampling Phase Detector Schematic	8-101
7-16. A3A2 Rear Input HP-IB Option 005 Backdating Schematic (Part of Change X)	7-30	8-26. A4A5 HF Loop VCO Component Locations	8-102
7-17. Option 005 A3A1 Component Locations Backdating (Part of Change X)	7-31	8-27. A4 Assembly Top View	8-103
7-18. A3A1 Front Output HP-IB Opt. 005 Backdating Schematic (Part of Change X)	7-32	8-28. A4 Assembly Bottom View	8-103
7-19. Option 005 A3A2 Component Locations Backdating (Part of Change AB)	7-34	8-29. VCO and Amplifiers Schematic	8-103
8-1. Examples of Diode and Transistor Marking Methods	8-4	8-30. A16 N1 Phase Detector Component Locations	8-105
8-2. Model 8660C With Circuit Board Extended for Maintenance	8-6	8-31. N1 Phase Detector Schematic	8-105
8-3. Printed Circuit Board Connector Identification, Component Side	8-9	8-32. A17 N1 VCO Component Locations	8-107
8-4. Printed Circuit Board Connector Identification, Circuit Side	8-9	8-33. N1 VCO Schematic	8-107
8-5. Part of the Algorithmic State Machine for Model 8660C DCU	8-12	8-34. A14 N2 Phase Detector Component Locations	8-109
8-6. Common Gates and Inverters Used in the Model 8660C	8-29	8-35. N2 Phase Detector Schematic	8-109
8-7. ASM Block Diagram	8-86	8-36. A14a N2a Phase Detector Component Locations	8-111
8-8. Sample Flow Chart	8-86	8-37. N2a Phase Detector Schematic	8-111
		8-38. A13 N2 VCO Component Locations	8-113
		8-39. N2 VCO Schematic	8-113
		8-40. A10 N3 Phase Detector Component Locations	8-115
		8-41. N3 Phase Detector Schematic	8-115
		8-42. A8 N3 VCO Component Locations	8-117
		8-43. N3 VCO Schematic	8-117
		8-44. A12 SL2 Phase Detector Component Locations	8-119
		8-45. SL2 Phase Detector Schematic	8-119
		8-46. A11 SL2 VCO Component Locations	8-121
		8-47. SL2 VCO Schematic	8-121

ILLUSTRATIONS (Cont'd)

Figure	Page	Figure	Page
8-48. A15 SL1 Phase Detector Component Locations	8-123	8-81. P/O A1A6 Register Schematic (Part 2)	8-153
8-49. SL1 Phase Detector Schematic	8-123	8-82. P/O A1A6 Register Assembly Component Locations (Part 3)	8-155
8-50. A18 SL1 Mixer and D/A Converter Component Locations	8-125	8-83. P/O A1A6 Register Schematic (Part 3)	8-155
8-51. SL1 Mixer and D/A Converter Schematic	8-125	8-84. A1A7 Arithmetic Logic Unit Component Locations	8-157
8-52. A19 SL1 VCO Component Locations	8-127	8-85. A1A7 Arithmetic Logic Unit	8-157
8-53. SL1 VCO Schematic	8-127	8-86. A1A8 Sweep Count Assembly Component Locations	8-159
8-54. 8660C DCU (A1)	8-129	8-87. A1A8 Sweep Count Schematic	8-159
8-55. DCU Block Diagram, A1	8-129	8-88. A1A9 A Register Assembly Component Locations	8-161
8-56. P/O A1A1 Switch Control Assembly Component Locations (Part 1)	8-131	8-89. A1A9 A Register Schematic	8-161
8-57. A1A1 Switch Control Schematic (Part 1)	8-131	8-90. A1A10 Output Register Component Locations	8-163
8-58. P/O A1A1 Switch Control Assembly Component Locations (Part 2)	8-133	8-91. A1A10 Output Register Schematic	8-163
8-59. A1A1 Switch Control Schematic (Part 2)	8-133	8-92. Readout Digit Schematic	8-164
8-60. Keyboard Assembly Front View	8-134	8-93. A1A12 Numeric Readout Assembly Component Locations	8-165
8-61. Keyboard Assembly Rear View	8-134	8-94. A1A12 Numeric Readout Schematic	8-165
8-62. P/O A1A2 Key Control Assembly Component Locations (Part 1)	8-135	8-95. Interface Mother Board	8-167
8-63. P/O A1A2 Key Control Schematic (Part 1)	8-135	8-96. A3A1 Front Interface Board Component Locations	8-167
8-64. P/O A1A2 Key Control Assembly Component Locations (Part 2)	8-137	8-97. A3A1 Front Interface Board Schematic	8-167
8-65. P/O A1A2 Key Control Assembly Schematic (Part 2)	8-137	8-98. A3A2 Rear Input Interface Board Component Locations	8-169
8-66. P/O A1A3 Readout Control Assembly Component Locations (Part 1)	8-139	8-99. A3A2 Rear Input Interface Board Schematic	8-169
8-67. P/O A1A3 Readout Control Schematic (Part 1)	8-139	8-100. Option 005 A3A2 Component Locations	8-171
8-68. P/O A1A3 Readout Control Assembly Component Locations (Part 2)	8-141	8-101. A3A2 Rear Input HP-IB Option 005 Schematic	8-171
8-69. P/O A1A3 Readout Control Schematic (Part 2)	8-141	8-102. Option 005 A3A1 Component Locations	8-173
8-70. P/O A1A4 ROM Input Assembly Component Locations (Part 1)	8-143	8-103. A3A1 Front Output HP-IB Option 005 Schematic	8-173
8-71. P/O A1A4 ROM Input Schematic (Part 1)	8-143	8-104. A6A1 Assembly Component Locations Front and Internal Views	8-174
8-72. P/O A1A4 ROM Input Assembly Component Locations (Part 2)	8-145	8-105. A5 Component Locations	8-174
8-73. P/O A1A4 ROM Input Schematic (Part 2)	8-145	8-106. A20 Top and Bottom Component Locations	8-175
8-74. P/O A1A5 ROM Output Assembly Component Locations (Part 1)	8-147	8-107. Power Supply Schematic	8-175
8-75. P/O A1A5 ROM Output Schematic (Part 1)	8-147	8-108. A1A2 Annunciator Assembly and Schematic	8-177
8-76. P/O A1A5 ROM Output Assembly Component Locations (Part 2)	8-149	8-109. DCU and Interface Wiring Diagram	8-177
8-77. P/O A1A5 ROM Output Schematic (Part 2)	8-149	8-110. ASM Flow Chart Example	8-178
8-78. P/O A1A6 Register Assembly Component Locations (Part 1)	8-151	8-111. Logic Diagram of IC's Used in DCU Shift Registers	8-179
8-79. P/O A1A6 Register Schematic (Part 1)	8-151	8-112. DCU Algorithmic State Machine (Flow Graph)	8-179
8-80. P/O A1A6 Register Assembly Component Locations (Part 2)	8-153		

ILLUSTRATIONS (Cont'd)

Figure		Page	Figure		Page
8-113.	ASM Troubleshooting Flow Chart for Numeric Key Pressed	8-180	8-121.	ASM Troubleshooting Flow Chart for KYBD Pushbutton Pressed	8-186
8-114.	ASM Troubleshooting Flow Chart for Decimal Point Key Pressed	8-180	8-122.	ASM Troubleshooting Flow Chart for Power-On Initialization	8-187
8-115.	ASM Troubleshooting Flow Chart for Units Key Pressed	8-180	8-123.	LF Loops Adjustment Locations	8-189
8-116.	ASM Troubleshooting Flow Chart for CF Key Pressed	8-181	8-124.	HP-IB Adapter and Self Test Features	8-191
8-117.	ASM Troubleshooting Flow Chart for SWP Width Key Pressed	8-182	8-125.	HF Loop and Reference Loop Adjustment Locations	8-191
8-118.	ASM Troubleshooting Flow Chart for STEP ↑ or STEP ↓ Key Pressed	8-183	8-126.	Interconnection Assembly (Opt. 004)	8-193
8-119.	ASM Troubleshooting Flow Chart for Manual Tune	8-184	8-127.	A2 Mother Board Component Locations	8-193
8-120.	ASM Troubleshooting Flow Chart for Auto Sweep	8-185	8-128.	A9A1 Cable Loop Assembly	8-193
			8-129.	A1A11 DCU Mother Board Component Locations	8-193
			8-130.	Mainframe Mother Board Test Points	8-194
			8-131.	Model 8660C Internal Views	8-195
			8-132.	Plug-In Connectors Detail	8-196

TABLES

Table	Page	Table	Page		
1-1.	Model 8660C Specifications	1-2	6-2.	Abbreviations	6-3
1-2.	Test Equipment and Accessories List	1-5	6-3.	Replaceable Parts	6-5
			6-4.	Code List of Manufacturers	6-59
3-1.	Operator's Checks	3-5			
3-2.	Storage Register Addresses	3-11	7-1.	Manual Changes by Serial Number	7-1
3-3.	Model 8660C Programming Examples	3-12	7-2.	Summary of Changes by Component	7-2
3-4.	AM-FM Function Register Coding	3-14	7-3.	Replaceable Parts Backdating (Part of Change A)	7-5
3-5.	Programming Connections to J3	3-14	7-4.	Replaceable Parts Backdating (Part of Change D)	7-8
3-6.	HP-IB Interface Lines	3-16	7-5.	Replaceable Parts Backdating (Part of Change I)	7-14
3-7.	HP-IB Code Allocations	3-19	7-6.	Replaceable Parts Backdating (Part of Change J)	7-17
3-8.	8660 HP-IB Coding Table	3-20	7-7.	Replaceable Parts Backdating (Part of Change P)	7-24
			7-8.	Replaceable Parts Backdating (Part of Change X)	7-27
4-1.	Performance Test Record	4-3			
5-1.	Factory Selected Components	5-2	8-1.	8660C Troubleshooting Tables	8-1
5-2.	Unregulated Power Supplies	5-5	8-2.	Etched Circuit Soldering Equipment	8-5
5-3.	Regulated Power Supplies	5-5	8-3.	Schematic Diagram Notes	8-7
5-4.	Reference Section Output Levels	5-11	8-4.	Mnemonics Information	8-15
5-5.	Pretune Adjustments	5-17	8-5.	Logic Symbology	8-28
5-6.	N1 Loop Output Frequency Checks	5-22	8-6.	Power Supply Troubleshooting	8-30
5-7.	N2 Oscillator Output Frequency Checks	5-24	8-7.	DCU Troubleshooting by Replacement	8-32
5-8.	N3 Oscillator Output Frequency Checks	5-26	8-8.	DCU and Interface Troubleshooting Guide	8-34
5-9.	SL2 Oscillator Output Frequency Adjustments	5-28	8-9.	Incorrect Initial Readout	8-37
5-10.	SL1 Oscillator Output Frequency Adjustments	5-31	8-10.	Center Frequency Readout Faulty	8-38
5-11.	Adjustments	5-32			
5-12.	Frequency Versus Exact Output Levels	5-32			
6-1.	Reference Designations	6-3			

Table of Contents

TABLES (Cont'd)

Table	Page	Table	Page
8-11. BCD Data to Mainframe Incorrect	8-42	8-34. Troubleshooting the Reference Section	8-73
8-12. Readout is Partially Displayed or Incorrect	8-43	8-35. High Frequency Loop Troubleshooting	8-74
8-13. Only 1 or 2 Half-Digits Displayed	8-44	8-36. Summing Loop 1 Troubleshooting	8-77
8-14. Center Frequency Readout Does Not Justify Correctly	8-45	8-37. Summing Loop 2 Troubleshooting	8-78
8-15. Readout Does Not Justify with Only One Units Key	8-45	8-38. N3 Loop Troubleshooting	8-79
8-16. Either STEP ↑ or STEP ↓ Operation Defective	8-46	8-39. N2 Loop Troubleshooting	8-79
8-17. Both STEP ↑ and STEP ↓ Defective at the RF Output	8-47	8-40. N1 Loop Troubleshooting	8-80
8-18. Manual STEP Defective	8-48	8-41. Low Frequency Loops Notes	8-80
8-19. Manual Tune Mode Inoperative	8-49	8-42. Index to Assembly Illustration	8-81
8-20. Manual Tune Defective on One Range Fine, Medium or Coarse	8-50	8-43. 8660 System	8-91
8-21. Either Up or Down Manual Tune Defective	8-50	8-44. Pretuning DC Levels	8-98
8-22. Auto Sweep Defective at All Sweep Rates	8-52	8-45. N1 Oscillator Test Point Measurements	8-106
8-23. Auto Sweep Defective at One Sweep Rate	8-54	8-46. N2 Frequency versus Voltage Chart	8-112
8-24. Single Sweep Defective	8-55	8-47. N3 Frequency versus Voltage Chart	8-116
8-25. Manual Sweep Defective	8-56	8-48. SL2 Frequency versus Voltage Chart	8-120
8-26. Out of Range Indicator Inoperative	8-60	8-49. SL1 Frequency versus Voltage Chart	8-124
8-27. KYBD Pushbutton Readout Defective	8-62	8-50. Varactor Bias versus Frequency SL1	8-126
8-28. STEP Pushbutton Readout Defective	8-62	8-51. Readout Register Leading Zero Blanking	8-140
8-29. Sweep Width Pushbutton Readout Defective	8-63	8-52. Readout Register Significant Zero Blanking Inhibit	8-140
8-30. Remote Control Problems	8-63	8-53. Readout Register Recirculating Cycle	8-140
8-31. Harmonics Excessive Below 1300 MHz	8-70	8-54. A3A1 Front Output HP-1B Opt. 005 Board Jumper Installation	8-172
8-32. Output Frequency is Half Indicated Frequency Above 1300 MHz	8-70	8-55. Flip Flops Used as ASM Qualifiers	8-178
8-33. Troubleshooting Option 005 Interface Circuits	8-71	8-56. Explanation of Counters	8-178
		8-57. Low Frequency Adjustment Identification	8-189
		8-58. High Frequency Loop Adjustment Identification	8-191
		8-59. Reference Loop Adjustment Identification	8-191

SERVICE SHEETS

1	Block Diagram	8-93	22	A1A2 Key Control Assembly (Part 2)	8-137
2	Reference Loop	8-95	23	A1A3 Readout Control Assembly (Part 1)	8-139
3	Reference Loop VCO	8-97	24	A1A3 Readout Control Assembly (Part 2)	8-141
4	HF Loop Pretuning	8-99	25	A1A4 ROM Input Assembly (Part 1)	8-143
5	HF Loop Phase Detector	8-101	26	A1A4 ROM Input Assembly (Part 2)	8-145
6	HF Loop VCO	8-103	27	A1A5 ROM Output Assembly (Part 1)	8-147
7	N1 Phase Detector	8-105	28	A1A5 ROM Output Assembly (Part 2)	8-149
8	N1 VCO	8-107	29	A1A6 Register Assembly (Part 1)	8-151
9	N2 Phase Detector	8-109	30	A1A6 Register Assembly (Part 2)	8-153
9A	N2a Phase Detector	8-111	31	A1A6 Register Assembly (Part 3)	8-155
10	N2 VCO	8-113	32	A1A7 Arithmetic Logic Unit	8-157
11	N3 Phase Detector	8-115	33	A1A8 Sweep Count Assembly	8-159
12	N3 VCO	8-117	34	A1A9 A Register Assembly	8-161
13	SL2 Phase Detector	8-119	35	A1A10 Output Register Assembly	8-163
14	SL2 VCO	8-121	36	A1A12 Numeric Readout Assembly	8-165
15	SL1 Phase Detector	8-123	37	A3A1 Front Output Interface Board	8-167
16	SL1 Mixer and D/A	8-125	38	A3A2 Rear Input Interface Board	8-169
17	SL1 VCO	8-127	39	A3A2 HP-IB Rear Input Assembly	8-171
18	DCU Block Diagram	8-129	40	A3A1 HP-IB Front Output Assembly	8-173
19	A1A1 Switch Control Assembly (Part 1)	8-131	41	Power Supply	8-175
20	A1A1 Switch Control Assembly (Part 2)	8-133	42	DCU and Interface Wiring Diagram	8-177
21	A1A2 Key Control Assembly (Part 1)	8-135			

SAFETY CONSIDERATIONS

GENERAL

This product and related documentation must be reviewed for familiarization with safety markings and instructions before operation. This product has been designed and tested in accordance with international standards.

SAFETY SYMBOLS



Instruction manual symbol: the product will be marked with this symbol when it is necessary for the user to refer to the instruction manual (refer to Section II of this manual).



Indicates hazardous voltages.



Indicates earth (ground) terminal.

WARNING

The WARNING sign denotes a hazard. It calls attention to a procedure, practice, or the like, which, if not correctly performed or adhered to, could result in personal injury. Do not proceed beyond a WARNING sign until the indicated conditions are fully understood and met.

CAUTION

The CAUTION sign denotes a hazard. It calls attention to an operating procedure, practice, or the like, which, if not correctly performed or adhered to, could result in damage to or destruction of part or all of the product. Do not proceed beyond a CAUTION sign until the indicated conditions are fully understood and met.

SAFETY EARTH GROUND

This is a Safety Class I product (provided with a protective earthing terminal). An uninterruptible safety earth ground must be provided from the main power source to the product input wiring terminals, power cord, or supplied power cord set. Whenever it is likely that the protection has been impaired, the product must be made inoperative and be secured against any unintended operation.

BEFORE APPLYING POWER

Verify that the product is configured to match the available main power source per the input power configuration instructions provided in this manual.

If this product is to be energized via an auto-transformer make sure the common terminal is connected to the neutral (grounded side of mains supply).

SERVICING

WARNINGS

Any servicing, adjustment, maintenance, or repair of this product must be performed only by qualified personnel.

Adjustments described in this manual may be performed with power supplied to the product while protective covers are removed. Energy available at many points may, if contacted, result in personal injury.

Capacitors inside this product may still be charged even when disconnected from its power source.

To avoid a fire hazard, only fuses with the required current rating and of the specified type (normal blow, time delay, etc.) are to be used for replacement.

NOTE

Although this is a Class 1 instrument, all warning, grounding, safety and voltage information is repeated here to ensure that all users of the instrument are aware of the safety and other precautions required to assure that the instrument is operated properly. The information is repeated at appropriate intervals throughout the manual.

WARNINGS**SAFETY**

To avoid the possibility of injury or death, the following precautions must be followed before the instrument is switched on:

a. If this instrument is to be energized via an autotransformer for voltage reduction, make sure that the common terminal is connected to the earthed pole of the power source.

b. The power cable plug shall only be inserted into a socket outlet provided with a protective earth contact. The protective action must not be negated by the use of an extension cord without a protective conductor (grounding).

c. Before switching on the instrument, the protective earth terminal of the instrument must be connected to a protective conductor of the power cord. This is accomplished by ensuring that the instrument's internal earth terminal is correctly connected to the instrument's chassis and that the power cord is wired correctly.

Whenever it is likely that the protection has been impaired, the instrument must be made inoperative and be secured against any unintended operation. Such equipment should be suitably tagged explaining the cause of malfunction, and include a warning that the equipment is not to be used until the malfunction is corrected.

Any interruption of the protective (grounding) conductor inside or outside the instrument or disconnection of the protective earth terminal is likely to make the instrument dangerous. Intentional interruption is prohibited.

HIGH VOLTAGE

Any adjustment, maintenance, and repair of the opened instrument under voltage should be

avoided as much as possible and, if inevitable, should be carried out only by a skilled person who is aware of the hazard involved.

Capacitors inside the instrument may still be charged even if the instrument has been disconnected from its source of supply.

FUSES

Make sure that only fuses with the required rated current and of the specified type (normal blow time delay, etc.) are used for replacement. The use of repaired fuses and the short-circuiting of fuse-holders must be avoided.

CAUTIONS**GROUNDING**

Any interruption of the protective (grounding) conductor inside or outside the instrument is likely to cause damage, this instrument and all line powered devices connected to it must be connected to the same earth ground (see Section II).

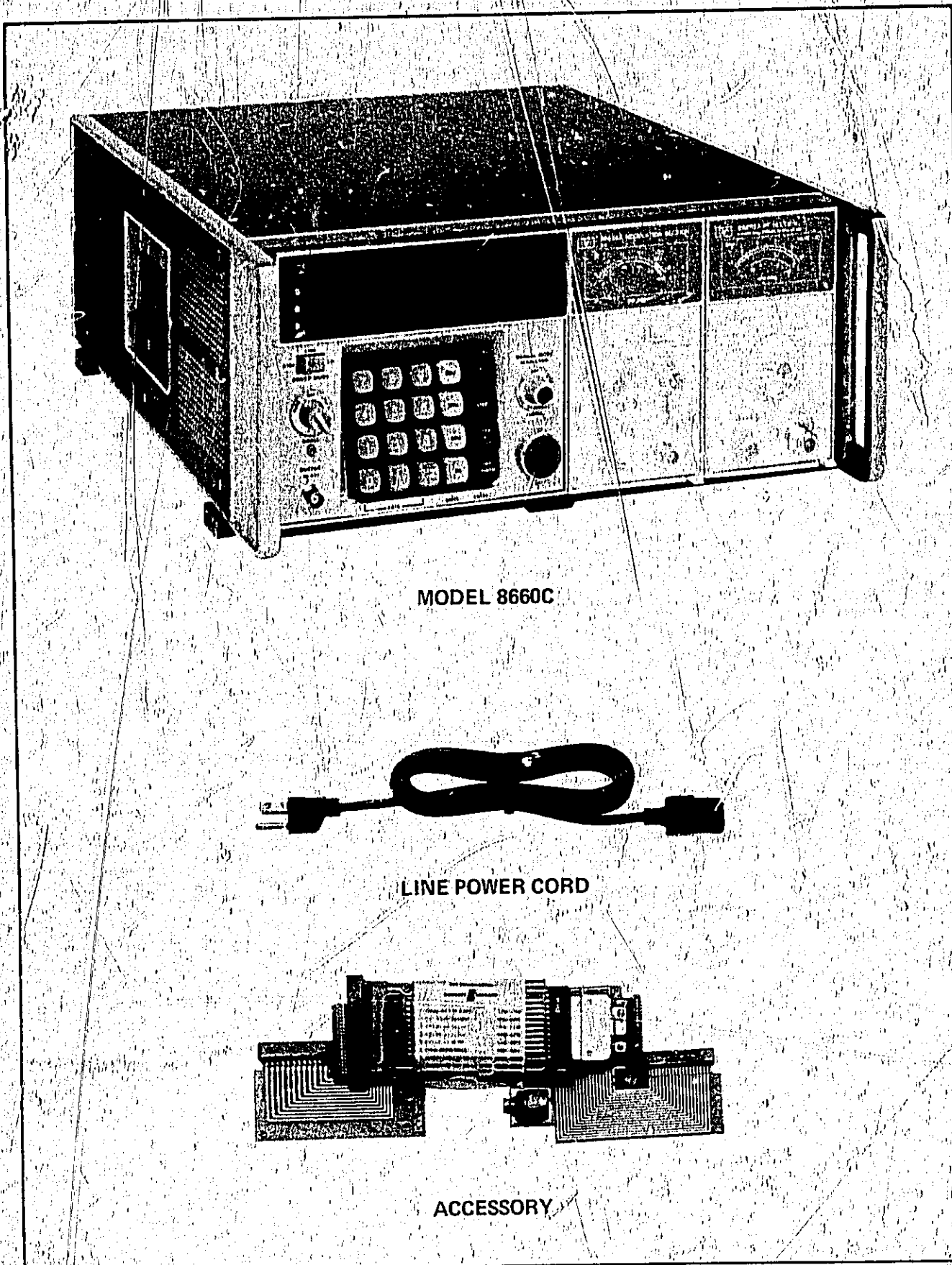
LINE VOLTAGE

Be sure to select the correct fuse rating for the selected line voltage (see **LINE VOLTAGE SELECTION** in Section II); fuse ratings are listed on the fuse compartment.

To prevent damage to the instrument, make the line voltage selection **BEFORE** connecting line power. Also ensure that the line power cord is connected to a line power socket that is provided with a protective earth contact.

SAFETY

To avoid the possibility of damage to test equipment, read completely through each test before starting it. Make any preliminary control settings necessary for correct test equipment operation.



MODEL 8660C

LINE POWER CORD

ACCESSORY

Figure 1-1. Model 8660C and Accessories Supplied

SECTION I GENERAL INFORMATION

1-1. INTRODUCTION

1-2. This manual contains all information required to install, operate, test, adjust and service the Hewlett-Packard Model 8660C Synthesized Signal Generator mainframe. This section covers instrument identification, specifications and other basic information. Figure 1-1 shows a front view of the instrument and accessories supplied.

1-3. The other various sections of this manual provide information as follows:

a. SECTION II, INSTALLATION, provides information relative to incoming inspection, power requirements, mounting, packing for shipment, etc.

b. SECTION III, OPERATION, provides information relative to operating the instrument.

c. SECTION IV, PERFORMANCE TESTS, provides information required to ascertain that the instrument is performing in accordance with published specifications.

d. SECTION V, ADJUSTMENTS, provides information required to properly adjust and align the instrument after repairs are made.

e. SECTION VI, REPLACEABLE PARTS, provides ordering information for all replaceable parts and assemblies.

f. SECTION VII, MANUAL CHANGES, provides manual change information necessary to document all prefixes listed on the title page. In addition, this section also contains recommended modifications for the earlier instrument configurations.

g. SECTION VIII, SERVICE, includes all information required to service the instrument when a malfunction occurs.

1-4. Packaged with this instrument is an Operating Information Supplement. This is simply a copy of the first three sections of this manual (less Table 1-2). This supplement should stay with the instrument for use by the operator. Additional copies of the Operating Information Supplement may be ordered separately through your nearest Hewlett-

Packard office. The part number is listed on the inside title page of this manual below the Manual Part Number.

1-5. Also listed on the inside title page of this manual, below the manual part number, is a "Microfiche" part number. This number may be used to order 4 x 6 inch microfilm transparencies of the manual. Each microfiche contains up to 60 photo-duplicates of the manual pages. The microfiche package also includes the latest Manual Changes Supplement as well as all pertinent Service Notes.

1-6. SPECIFICATIONS

1-7. Instrument specifications are listed in Table 1-1. These specifications are the performance standards or limits against which the instrument may be tested.

1-8. INSTRUMENTS COVERED BY MANUAL

1-9. This instrument has a two-part serial number. The first four digits and the letter comprise the serial number prefix. The last five digits form the sequential suffix that is unique to each instrument. The contents of this manual apply directly to instruments having the same serial number prefix(es) as listed under SERIAL NUMBERS on the inside title page.

1-10. An instrument manufactured after the printing of this manual may have a serial prefix that is not listed on the inside title page. This unlisted serial prefix indicates that the instrument is different from those documented in this manual. The manual for this instrument is supplied with a yellow Manual Changes supplement that contains "change information" that documents the differences.

1-11. In addition to change information, the supplement may contain information for correcting errors in the manual. To keep this manual as current and accurate as possible, Hewlett-Packard recommends that you periodically request the latest Manual Changes supplement for this manual. The supplement for this manual is keyed to this manual's print date and part number, both of

Table 1-1. Model 8660C Specifications (1 of 2)

SPECIFICATIONS

Frequency Selection:

Keyboard control panel allows selection of CW (or center frequency) by entry keys or synthesized tuning dial. Least significant digit either 1 Hz (standard) or 100 Hz (Option 004).*

Reference Oscillator:

Internal: 10 MHz quartz oscillator. Aging rate less than ± 3 parts in 10^5 per 24 hours after 72 hour warmup (± 3 parts in 10^9 per 24 hours after 30 day warmup, Option 001).

External: Rear panel switch allows operation from any 5 MHz or 10 MHz signal at a level between 0.5V and 2.5V rms into 170 ohms. Stability and spectral purity will be partially determined by characteristics of external reference oscillator.

Reference Output:

Rear panel BNC connector provides output of signal selected (INT. or EXT.) at the following levels into 170 ohms:

Internal Reference: 0.75V to 1.5 Vrms.

External Reference: Nominally equal to external input.

Display:

Ten-digit numerical LED display of CW frequency is active in either local or remote mode. Spring-loaded pushbuttons provide display of sweep width, selected step size, or characters being entered on the keyboard.

Synthesized Search:

Synthesized search dial changes the synthesized output frequency 180 steps per revolution (with the 86601A, the COARSE and STEP tuning are desensitized to 36 steps/revolution). Step sizes are 1 Hz, 1 kHz, 1 MHz, or any step size entered through the keyboard.

Digital Sweep:

Type: Symmetrical about CW/center frequency.

Sweep width is divided into 100 synthesized steps for fastest sweep speed or 100 steps for slower speeds or Manual Sweep.

Sweep Width: Continuously adjustable over range of RF section installed. Smallest step size is equal to frequency resolution of mainframe.

Sweep End Point Accuracy: Same as reference oscillator accuracy.

Sweep Speed: Selectable 0.1 sec, 1 sec, or 50 sec per sweep (Auto or Single).

Sweep Output: 0 to +8V stepped ramp, 100 or 1000 equal steps depending on sweep speed.

Manual Sweep: Synthesized search dial allows manual sweep over width selected in 1000 steps (LED display follows output frequency during manual sweep).

Single Sweep: Initiated by momentary contact pushbutton.

Frequency Stepping:

After a step size has been entered on the keyboard, depressing STEP \uparrow or STEP \downarrow button will increment frequency up or down by the desired step size.

Step Accuracy: Same as reference oscillator accuracy.

REMOTE PROGRAMMING

CW frequency, frequency stepping (STEP \uparrow or STEP \downarrow) and output level, and most modulation functions are programmable. Note: digital sweep is NOT programmable.

Frequency:

CW frequency is programmable over entire range with same resolution obtained in manual operation.

Frequency Step:

STEP \uparrow or STEP \downarrow may also be programmed to change output frequency by a previously selected step size.

Output Level:

Programmable in 1 dB steps over the output range of the RF section installed (for output level accuracy see RF section specifications).

Modulation: See specifications for modulation and RF section installed.

Programming Input:

Connector Type: 36 pin Cinch type (mating connector supplied). (Optional HP-IB interface; 24 pin Cinch type 57 (mating connector NOT supplied)).

Logic: TTL compatible (negative true)

"0" logic state corresponds to +2V or higher.

"1" logic state corresponds to +0.8V or lower.

Internal Fan-in from Programming Connector:

10; (required current approximately 15 mA per line in the "1" state).

*When using 86603A RF section above 1300 MHz least significant digit becomes either 2 Hz (standard) or 200 Hz (Option 004).

Table 1-1. Model 8660C Specifications (2 of 2)

GENERAL

Operating Temperature Range: 0° to +55°C.

Leakage: Meets radiated and conducted limits of MIL I-6181D.

Power: 100 or 120 Vac, +5 -10% at 48 to 440 Hz.
200 or 240 Vac, +5 -10% at 48 to 66 Hz.
400 VA maximum.

Weight: (Mainframe only): Net, 23.2 kg (51 lb),
Shipping 28.6 kg (63 lb).

Options:

Option 001: $\pm 3 \times 10^{-9}$ /day internal reference oscillator.

Option 002: No internal reference oscillator.

Option 003: Operation from 50 to 400 Hz line.

Option 004: 100 Hz frequency resolution (200 Hz above 1300 MHz center frequency.)

Option 005: HP-IB programming interface.

Option 100: 11661B factory installed.

Option 908: Rack Mounting Kit.

which appear on the inside title page. Complimentary copies of the supplement are available from Hewlett-Packard.

1-12. For information concerning a serial number prefix not listed on the inside title page or in the Manual Changes supplement, contact your nearest Hewlett-Packard office.

1-13. DESCRIPTION

1-14. The Model 8660C Synthesized Signal Generator Mainframe requires two plug-in sections to provide a useable RF output. The plug-ins required are an RF Section and a Modulation (or Auxiliary) Section. These plug-in sections are inserted into the front of the Model 8660C; all operating controls are on the front panels of the plug-in sections or on the mainframe panel.

1-15. An internal plug-in unit, the Frequency Extension Module (HP accessory number 11661) is required when any RF Section other than the HP Model 86601 is in use.

1-16. GENERAL OPERATING PRINCIPLES

1-17. All of the signals generated in the Model 8660C are phase locked, directly or indirectly, to a 100 MHz master oscillator in the reference section. The 100 MHz master oscillator is phase locked to an internal temperature controlled oscillator or to an external standard. Provisions are made for the internal oscillator to be used as a reference signal for other equipment.

1-18. The Model 8660C uses synthesizer techniques to provide digitally controlled, precise RF signals which are used in the RF Section output plug-ins to produce the selected output frequency. The output frequencies are exactly those selected

in 1 Hz or 2 Hz increments in the standard instruments, or in 100 Hz or 200 Hz increments in Option 004 instruments.

1-19. Six phase locked loops, (four in Option 004 instruments), all phase locked to the 100 MHz master oscillator, are used to generate the RF signals used in the RF Section plug-ins to produce the final output signal.

1-20. The Model 8660C output frequency may be selected by front panel controls or by a remote programming device.

1-21. Operating of the plug-in sections may also be remotely programmed through the mainframe circuits.

1-22. Descriptions, operating instructions and service information for the various plug-in sections is provided in separate manuals.

NOTE

The 8660 family, and plug-ins available are described briefly on the first foldout Sheet.

1-23. OPTIONS

1-24. Option 001: Reference Oscillator with $\pm 3 \times 10^{-9}$ / per day stability.

1-25. Option 002: No internal standard reference oscillator.

1-26. Option 003: 50 to 400 Hz ac operation.

1-27. Option 004: 100 Hz resolution below 1300 MHz, 200 Hz resolution above 1300 MHz.

General Information

1-28. Option 005. Hewlett-Packard Interface Bus installed instead of BCD interface. HP-IB utilizes some ASCII interface codes (also previously referred to as General Purpose Interface Bus).

1-29. Option 100. Adds an internal plug-in, the 11661 (for use with an 86602 or 86603 RF Section) before the instrument is shipped from the factory.

1-30. Option 908. Adds a rack mounting kit. If the 8660C was purchased without the rack mounting option, the kit may be ordered from the nearest Hewlett-Packard office using HP part number 08660-60347.

1-31. EQUIPMENT REQUIRED BUT NOT SUPPLIED

1-32. An RF Section and a Modulation or Auxiliary Section must be installed in the Model 8660C mainframe. In addition when an RF Section such as the 86602 or 86603 is used, the internal Frequency Extension Module (Model 11661) must be used.

1-33. EQUIPMENT AVAILABLE

1-34. A service kit, Hewlett-Packard accessory number 11672A, is recommended for servicing and adjusting the mainframe and the plug-in sections. Contents of the service kit are listed in Table 1-2. Individual items in the kit may be ordered separately if desired.

1-35. ACCESSORIES SUPPLIED

1-36. The following accessories are provided with the Model 8660C:

a. A detachable three-wire power cable. The type of power cord will be determined by the shipment destination.

b. An accessory kit, part number 08660-60070, consisting of the following:

1	Connector, Type N-to-BNC	1250-0780
1	Extender Board, 20 contact	5060-0256
1	Extender Board, 24 contact	5060-0258
2	Extender Boards, 15 contact	5060-0276
1	Extender Board, 18 contact	5060-0277
1	Connector 36 pin with hood and clamp	1251-0084
1	Extender Board A3 Interface, 18 Contact	08660-60348
1	Extender Board A3 Interface, 12 Contact	08660-60349
1	Interface Extender Board Cable	08660-60361

1-37. WARRANTY

1-38. Certification and warranty information for the Model 8660C appears on the inside front cover of this manual.

1-39. TEST EQUIPMENT AND ACCESSORIES

1-40. Table 1-2 lists the test equipment and accessories recommended to test, adjust, and service the Model 8660C.

1-41. ELECTRICAL PROTECTION

1-42. The safety classification of this instrument is Safety Class I.

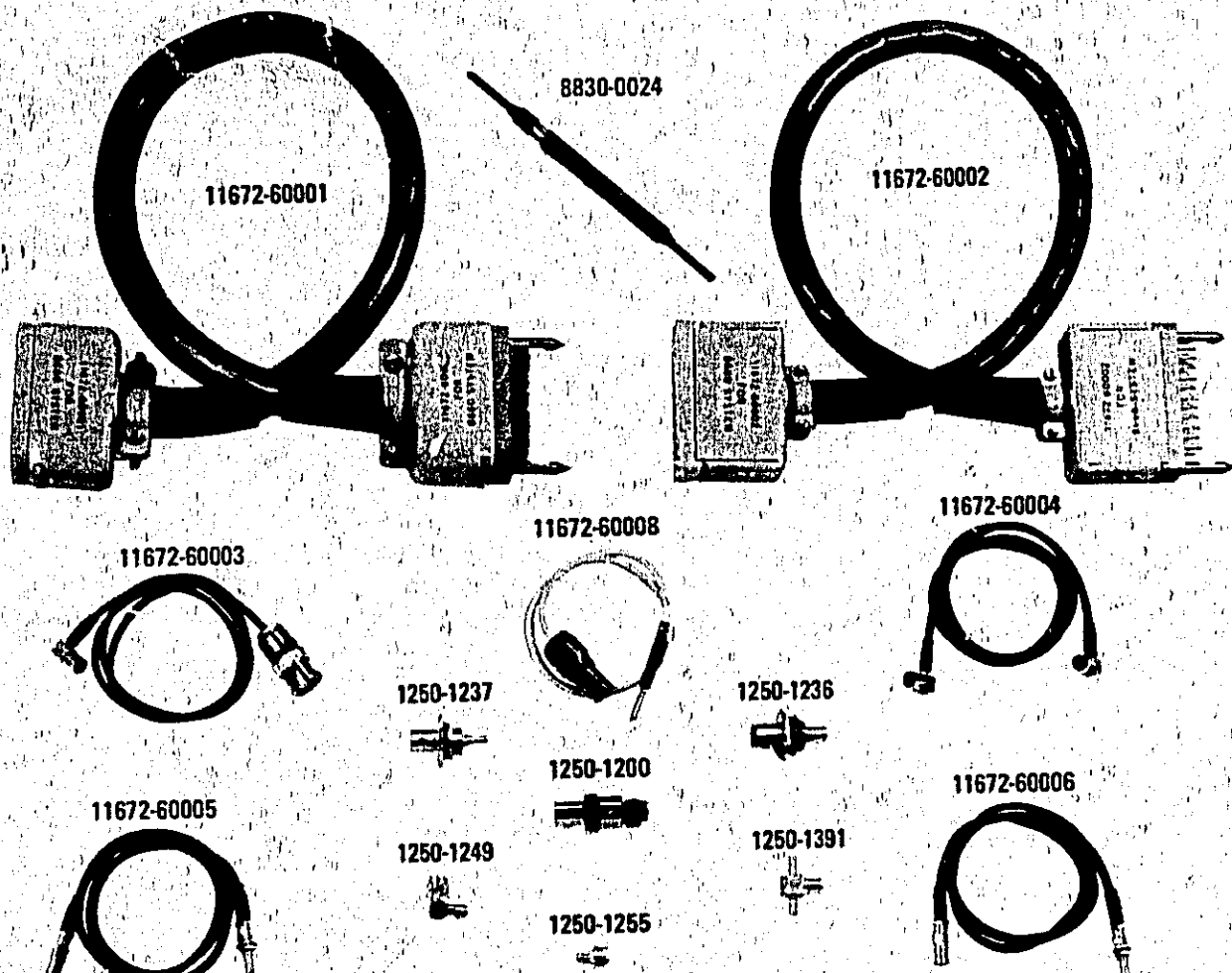
1-43. This apparatus has been designed and tested to operate in a safe manner. The Operating and Service Manual contains information, warnings and cautions which must be followed by the user to ensure safe operation and to retain safe operating conditions.

Table 1-2. Test Equipment and Accessories List (1 of 2)

Item	Minimum Specifications	Suggested Model	Use*
Digital Voltmeter	Voltage Accuracy $\pm 0.02\%$ 0.000V to ± 40 Vdc	HP Model 3465A	A, S
AC Microvoltmeter	50 μ V to 3V	HP 400F	A, S
Variable Voltage Transformer	Range 103 to 127 Vac Meter Range 103-127 Vac ± 1 V	General Radio W4MT3A	A
Frequency Standard	Frequency 10 MHz Long Term Stability $< 1 \times 10^{-10}$ /24 hours	HP 5065A	P, A
Oscilloscope	Frequency dc to 50 MHz Time base 10 ns to 1 s Time base accuracy 3%	HP 180A with HP 1801A and HP 1821A plug-ins	P, A, S
10:1 Divider Probes	10:1 Divider 10 Megohm 10 pF	HP 10004A (2)	
Spectrum Analyzer	Frequency Range 10 to 600 MHz, Response ± 1 dB, Measurement Accuracy ± 2.0 dB	HP 140/HP 8554B/ HP 8552/8553	A, S
Frequency Counter	Range 0 - 50 MHz, 0 - 500 MHz Accuracy ± 1 count \pm time base accuracy. External time base 10 MHz	HP 5328A Option 030	A, S
Pulse Generator	Pulse rate 100 kHz Pulse width 0.035 μ sec Amplitude 0.5V Polarity - Selectable	HP 8011A	A
Signal Generator/ Sweeper	Frequency -1 - 110 MHz Output Range +20 to -20 dBm Output CW or swept	HP 8601A	A, S
RF Voltmeter	Range 0.1 to 2V Frequency Range 1 to 10 MHz	HP 3400A	P
Test Oscillator	Freq. Range 10 Hz to 1 kHz Output Level +10 to -20 dBm	HP 651B	A, S
50-Ohm Feedthru Termination		HP 11043C	P
*USE - A = Adjustments; P = Performance Tests; S = Service			

Table 1-2. Test Equipment and Accessories List (2 of 2)

Item	Minimum Specifications	Suggested Model	Use*
Service Kit	Consisting of: Adapter: BNC female to OSM male Adapter: BNC female, Sealectro female Adapter: BNC female, Sealectro male Adapter: Right angle OSM male/female Sealectro jack (printed circuit mount) Adapter: Sealectro Tee Tool: Adjustment Cable: Extender, 36 pin, gray Cable: Extender, 42 pin, gray Cable Assy: Sealectro male and female, 24 inches long, gray Cable Assy: Sealectro male and female right angle connectors 24" long, red Cable Assy: Sealectro right angle female, BNC male, 24" long, gray Cable Assy: Sealectro male and female, 24" long, gray with blue stripe Cable Assy: White	HP 11672A 1250-1200 1250-1236 1250-1237 1250-1249 1250-1255 1250-1391 8830-0024 11672-60001 11672-60002 11672-60005 11672-60004 11672-60003 11672-60006 11672-60008	A, S



SECTION II INSTALLATION

2-1. INTRODUCTION

2-2. This section provides information on incoming inspection, selecting the input line voltage, operating environment, and information applicable to bench and rack mounted operation of the Model 8660C.

2-3. INITIAL INSPECTION

2-4. Inspect the shipping container for damage. If the shipping container or cushioning material is damaged it should be kept until the contents of the shipment have been checked mechanically and electrically. The contents of the shipment are shown in Figure 1-1, and the procedures for checking electrical performance are given in Section IV. If the contents are incomplete, if there is mechanical damage or defects, or if the instrument does not pass the electrical performance test, notify the nearest Hewlett-Packard office. If the shipping container is damaged or the cushioning material shows signs of stress, notify the carrier as well as the Hewlett-Packard office. Keep the shipping materials for the carrier's inspection. The HP office will arrange for repair or replacement without waiting for claim settlements.

2-5. The warranty statement for the instrument is on the inside front cover of this manual. Contact the nearest Sales/Service Office for information relative to warranty claims.

2-6. PREPARATION FOR USE

2-7. Power Requirements.

2-8. The Model 8660C requires a power source of 100, 120, 220, or 240 volts $\pm 5\%$, -10% , 48-66 Hz. Power consumption is approximately 400 VA maximum.

2-9. Line Voltage Selection

CAUTION

To prevent damage to the instrument make the line voltage selection **BEFORE** connecting the line power. Also ensure the line power cord is connected to a line power circuit that is provided with a protective earth contact.

2-10. A rear panel line power module, (A7), permits operation from 100, 120, 220, or 240 Vac.

The number visible in the window (located on the module) indicates the nominal line voltage to which the instrument must be connected.

2-11. To prepare the instrument for operation, slide the fuse compartment cover to the left (the line power cable must be disconnected). Pull the handle marked FUSE PULL and remove the fuse; rotate the handle to the left. Gently pull the printed circuit voltage selector card from its slot and orient it so that the desired operating voltage appears on the top-left side (see Figure 2-1). Firmly push the voltage selector card back into its slot. Rotate the FUSE PULL handle to the right, install a fuse of the correct rating, and slide the fuse compartment cover to the right.

NOTE

For 110-120V line, use 4A slo-blo fuse, HP Stock No. 2110-0635. For 220-240V line, use 2A slo-blo fuse, HP Stock No. 2110-0303.

WARNING

To avoid the possibility of injury or death, the following precautions must be followed before the instrument is switched on:

- Note that the protection provided by grounding the instrument cabinet may be lost if any power cable other than the three-pronged type supplied is used to couple the ac line voltage to the instrument.
- If this instrument is to be energized via an autotransformer to reduce or increase the line voltage, make sure that the common terminal is connected to the earthed pole of the power source.
- The power cable plug shall only be inserted into a socket outlet provided with a protective earth contact. The protective action must not be negated by the use of an extension cord without a protective conductor (grounding).
- Before switching on the instrument, the protective earth terminal of the instrument must be connected to a protective conductor of the power cord. This is accomplished by ensuring that the instrument's internal earth terminal is correctly connected to the instrument's chassis and that the power cord is wired correctly.

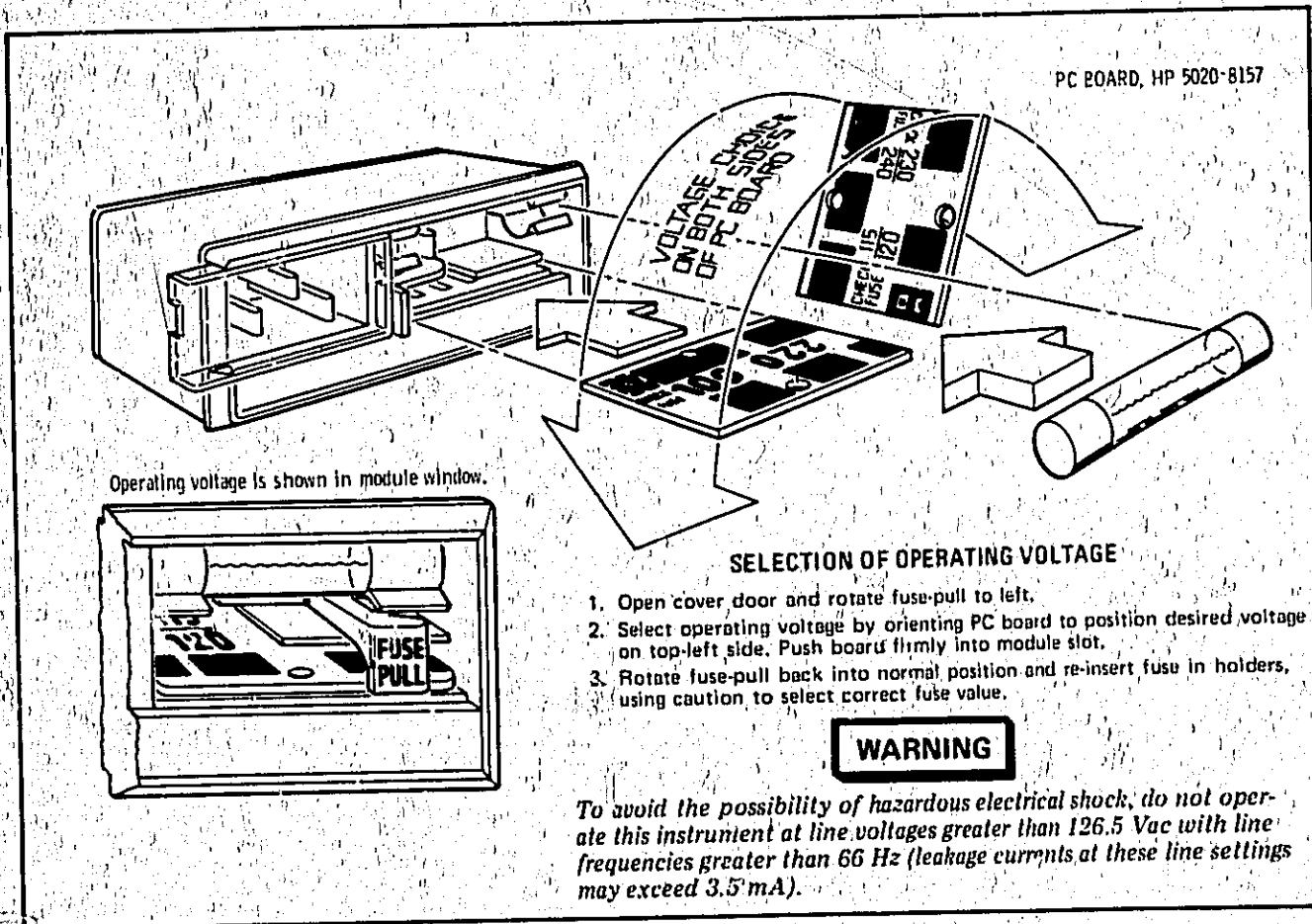


Figure 2-1. Line Voltage Selection.

NOTE

The correct fuse rating for the line voltage selected is listed on the line power module. More information about fuses is given in the table of replaceable parts in Section VI (reference designation is A7F1).

2-12. Power Cable

2-13. In accordance with international safety standards, this instrument is equipped with a three-wire power cable. When connected to an appropriate power line outlet, this cable grounds the instrument cabinet. The type of power cable plug shipped with each instrument depends on the country of destination. Refer to Figure 2-2 for the part numbers of the power cable plugs available.

2-14. Mating Connectors

2-15. Internal mating connectors between the Model 8660C and the plug-in sections are in fixed positions. Refer to Figure 8-132 for plug-in con-

nectors. Refer to Figure 8-109 for information relative to the remote control connector, J3.

2-16. Operating Environment

2-17. The operating environment should be within the following limitations:

Temperature	0 C to +55° C
Humidity	<95% relative
Altitude	<4600 metres (15 000 feet)

2-18. A forced air cooling system is used to maintain the operating temperature required by the instrument. The air exhaust fan is located on the rear panel of the instrument; the air intake is through the side panels of the instrument. When operating the instrument, choose a location that provides at least three inches of clearance at the rear and at least an inch of clearance for each side. The clearances provided by the plastic feet in bench stacking and the filler strip in rack mounting are adequate for the top and bottom cabinet surfaces.


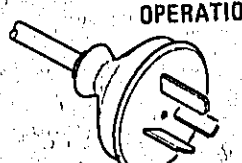
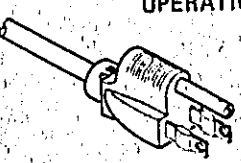
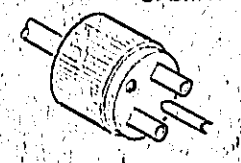
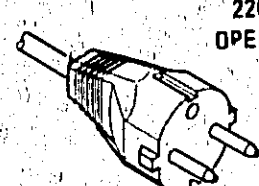
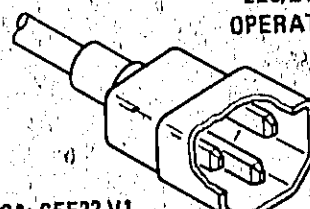
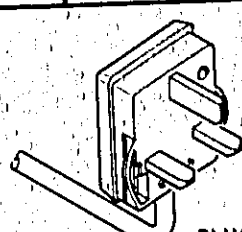
 <p>220/240V OPERATION</p> <p>PLUG*: SEV 1011.1959-24507 TYPE 12 CABLE*: HP 8120-2104</p>	 <p>220/240V OPERATION</p> <p>PLUG*: NZSS 198/AS C112 CABLE*: HP 8120-1369</p>	 <p>100/120V OPERATION</p> <p>PLUG*: NEMA 5-15P CABLE*: 8120-1378</p>	 <p>220/240V OPERATION</p> <p>PLUG*: NEMA 6-15P CABLE*: HP 8120-0698</p>
 <p>220/240V OPERATION</p> <p>PLUG*: CEE7-VII CABLE*: HP 8120-1689</p>	 <p>220/240V OPERATION</p> <p>PLUG*: CEE22-V1 CABLE*: HP 8120-1860</p>	 <p>220/240V OPERATION</p> <p>PLUG*: BS 1363A CABLE*: HP 8120-1351</p>	
<p>*The number shown for the plug is the industry identifier for the plug only. The number shown for the cable is an HP part number for a complete cable including the plug.</p>			

Figure 2-2. Power Cable HP Part Numbers

2-19. Bench Operation

2-20. The instrument has plastic feet and a fold-away tilt stand for convenience in bench operation. The tilt stand raises the front of the instrument for easier viewing of the control panel and the plastic feet are shaped to make full width modular instruments self aligning when stacked.

2-21. Rack Mounting (Option 908)

2-22. The 8660C Option 908 is supplied with a rack mounting kit. This kit contains all the necessary hardware and installation instructions for mounting the instrument in a rack with 19-inch spacing (see Figure 2-3). The HP part number for this kit is 08660-60347.

2-23. STORAGE AND SHIPMENT

2-24. Environment

2-25. The instrument should be stored in a clean, dry environment. The following environmental limitations apply to both storage and shipment:

Temperature	-40°C to +75°C
Humidity	<95% relative
Altitude	<7600 metres (25 000 feet)

2-26. Packaging

2-27. **Tagging for Service.** If the instrument is being returned to Hewlett-Packard for service, please

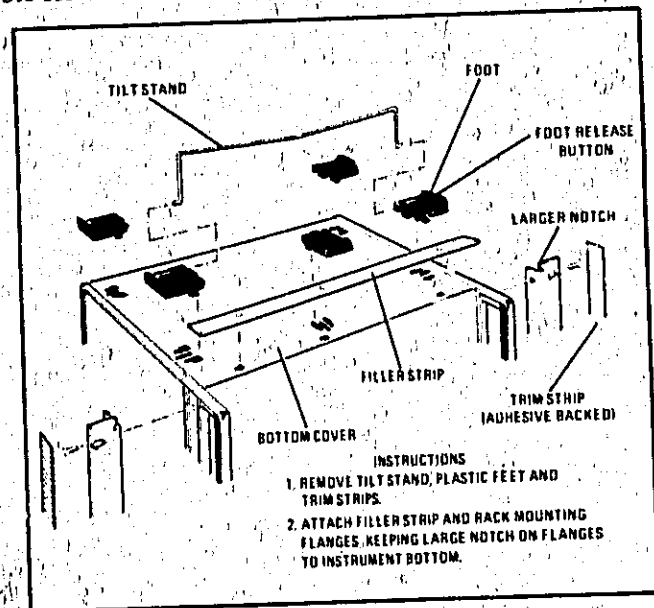


Figure 2-3. Preparation for Rack Mounting

complete one of the blue repair tags located at the end of this manual and attach it to the instrument.

2-28. **Original Packaging.** Containers and materials identical to those used in factory packaging are available through Hewlett-Packard offices. If the instrument is being returned to Hewlett-Packard for servicing, attach a tag indicating the type of service required, return address, model number, and full serial number. Also, mark the container **FRAGILE** to assure careful handling. In any correspondence, refer to the instrument by model number and full serial number.

2-29. Other Packaging. The following general instructions should be used for re-packaging with commercially available materials:

a. Wrap the instrument in heavy paper or plastic. (If shipping to a Hewlett-Packard office or service center, attach a tag indicating the type of service required, return address, model number, and full serial number.)

b. Use a strong shipping container. A double-wall carton made of 2.4 MPa (350 psi) test material is adequate.

c. Use enough shock-absorbing material (75-100 mm; 3 to 4-inch layer) around all sides of the instrument to provide firm cushion and prevent movement inside the container. Protect the control panel with cardboard.

d. Seal the shipping container securely.

e. Mark the shipping container FRAGILE to assure careful handling.

OPERATION

SECTION III OPERATION

3-1. INTRODUCTION

3-2. This section provides operating instructions for the Hewlett-Packard Model 8660C Synthesized Signal Generator mainframe for both the local and remote modes.

3-3. The Model 8660C is designed to provide precise digitally controlled signals for use in plug-in sections which provide the selected output frequency with the chosen modulation parameters. It will be necessary to have the operating manuals for the plug-in sections being used in order to efficiently operate the instrument.

NOTE

If a Modulation plug-in Section is not used, it will be necessary to have an Auxiliary Section in place of the Modulation Section. The Auxiliary Section completes a signal path from the mainframe to the RF Section plug-in and also provides a means of modulating the RF Section from an external source.

3-4. PANEL FEATURES

3-5. Front and rear panel controls, indicators and connectors of the 8660C are shown, and their functions described, in Figure 3-1.

3-6. OPERATOR'S MAINTENANCE

3-7. Operator's maintenance of the Model 8660C Synthesized Signal Generator mainframe is limited to fuse replacement.

3-8. OPERATING PRINCIPLES

3-9. The Model 8660C may be operated by front panel controls in the local mode or externally programmed in the remote mode. Allow the system to warm up for 15 minutes before operating.

WARNING

The power requirements and safety precautions listed throughout this Manual must be observed to preserve the built-in safety features of the Model 8660C.

3-10. LOCAL OPERATION

3-11. In the local mode of operation, all functions of the mainframe are controlled by front panel controls, except when an external reference oscillator is used. When an external reference oscillator is used, the rear panel SELECTOR switch must be in the EXT position.

3-12. The 20-key keyboard may be used to:

- a. Select any frequency within the range of the RF Section plug-in in 1 Hz increments (above 1300 MHz, 2 Hz increments) for standard instruments. Option 004 instruments are selectable in 100 Hz increments (above 1300 MHz, 200 Hz increments).

NOTE

Frequencies which are above the output frequency range of the RF Section, if selected, will be stored in the keyboard register, but the information will not be transferred to the center frequency register. The center frequency register and the readout will retain the last valid input. Frequencies below the output frequency range of the RF Section will be transferred to the center frequency register and the output register; the output frequency will be accurate but the output amplitude will be degraded. As an example, the Model 86601A RF Section has a specified lower frequency limit of 10 kHz, but typically will produce a useable RF output down to 3 kHz or lower.

- b. When frequencies below the RF Section frequency range are selected, the OUT OF RNG lamp lights and remains lit.

- c. Select any desired sweep width within the frequency range of the RF Section in use. See paragraph 3-14 for further details of sweep operation.

- d. Select any incremental step within the frequency range of the RF Section in use. See

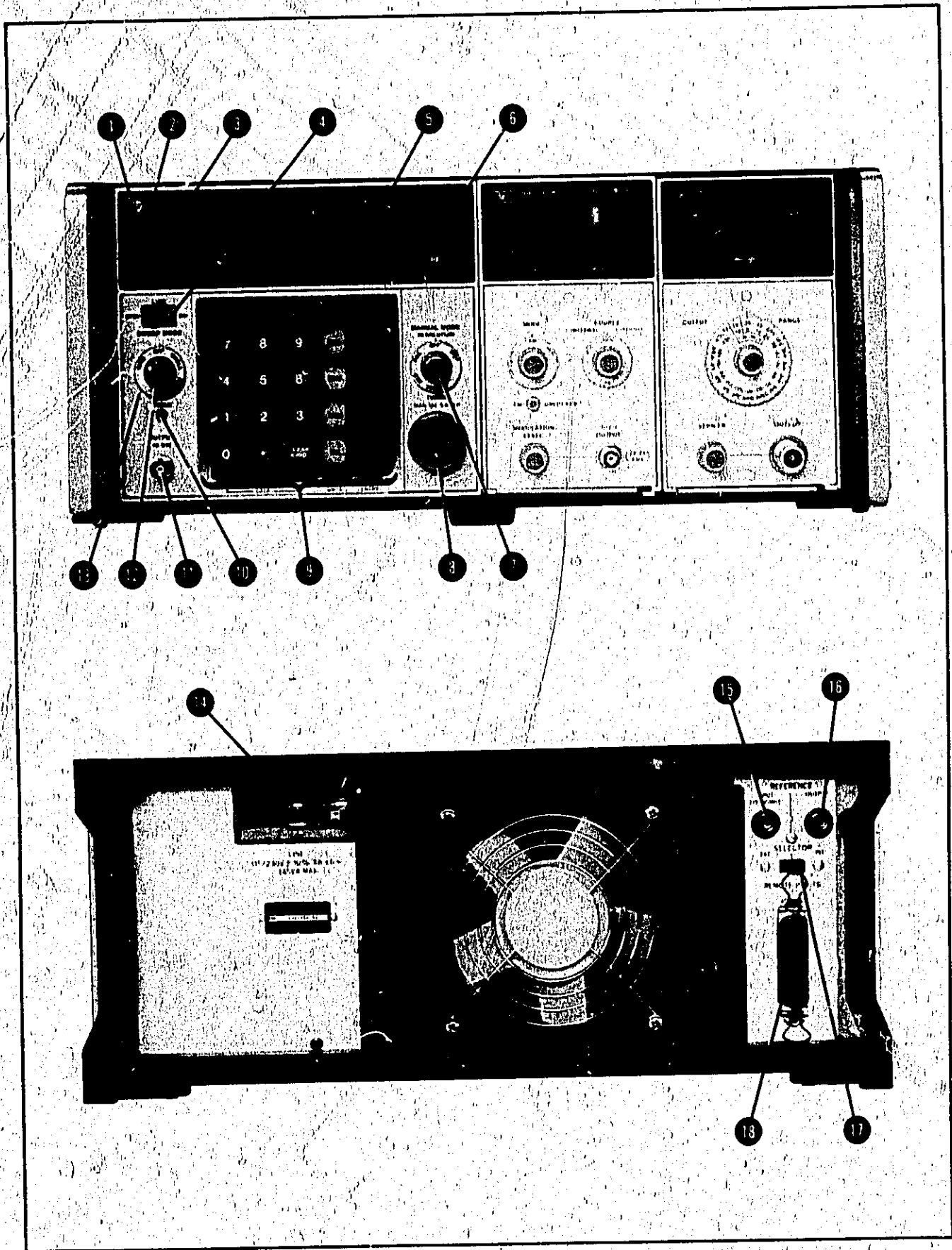


Figure 3-1. Front and Rear Panel Controls, Indicators and Connectors (1 of 2)

- 1 **KYBD pushbutton.** When pressed, causes the information stored in the keyboard storage register to be displayed on the CENTER FREQUENCY readout.
- 2 **STEP pushbutton.** When pressed, causes the information stored in the step storage register to be displayed on the CENTER FREQUENCY readout.
- 3 **SWP WIDTH pushbutton.** When pressed, causes the information stored in the sweep width storage register to be displayed on the CENTER FREQUENCY readout.
- 4 **LINE STBY - ON switch.** In the STBY position, with the instrument connected to the ac line source, the reference oscillator oven temperature is maintained at the operating temperature to avoid the necessity of allowing for a warm up period each time the instrument is used.
- 5 **CENTER FREQUENCY readout.** Normally displays the output center frequency of the RF Section.
- 6 **ANNUNCIATOR.** Provides visual display of mode of operation, crystal oven temperature and out of range frequency selection.
- 7 **MANUAL MODE RESOLUTION.** Works in conjunction with the TUNING control to step the rf output in steps of 1 Hz (FINE), 1 kHz (MED) and 1 MHz (COARSE). In the STEP position the TUNING control steps the rf output frequency by the step stored in the step register.
- 8 **TUNING - MANUAL SWEEP.** Works as specified in the MANUAL MODE RESOLUTION description. May also be used to set the rf output to any point within the limits stored in the sweep register when the SWEEP MODE switch is set to MAN.
- 9 **Keyboard.** Contains 20 keys which are used to enter data or instructions as follows:
 - Numerals 0 through 9
 - Decimal Point (.)
 - CLEAR KYBD. Clears keyboard register (does NOT clear other registers).
 - GHz, MHz, kHz and Hz select frequency in conjunction with numeric keys.
 - CF. Transfers keyboard storage register data to the center frequency register.
 - STEP. ↑ Transfers keyboard storage register data to the step register and steps the center frequency up. May also be used to step the frequency up by the step stored in the step register without a new keyboard entry.
 - STEP. ↓ Same as STEP ↑ except that frequency is stepped down.
 - SWP WIDTH. Transfers the data in the keyboard storage register to the sweep register.
- 10 **SINGLE pushbutton.** In the SINGLE mode, when pressed, causes the rf output to be swept, one time only, across the range stored in the sweep register, at a speed determined by the RATE switch.
- 11 **OUTPUT (0 to +8V).** Provides a sweep ramp for use in external equipment (oscilloscopes, X-Y recorders, etc.) when operating in the swept mode.
- 12 **RATE switch.** The rate switch selects sweep rates as follows: FAST - 100 steps at 1 millisecond per step, MED - 1000 steps at 1 millisecond per step, and SLO - 1000 steps at 50 milliseconds per step.
- 13 **SWEEP MODE switch.** With the sweep mode switch in the AUTO position sweep operation is automatic; the output rf is swept about the center frequency by the data stored in the sweep register at the rate selected by the RATE switch. In the SINGLE mode the rf output is swept once each time the SINGLE pushbutton is pressed. In the MAN mode the sweep is controlled by the MANUAL TUNE control and the data stored in the sweep register.
- 14 **LINE MODULE.** Contains a means of switching input line voltage to 100/120/220/240 Vac ±5% -10%, fuse, line cable connector and filtering. NOTE: the cabinet (earth) ground is also applied through the line module.
- 15 **REFERENCE INPUT.** Used when an external standard of 5 or 10 MHz is used.
- 16 **REFERENCE OUTPUT.** Provides the capability of using the internal reference as a time base in external equipment.
- 17 **SELECTOR.** Selects INT or EXT reference.
- 18 **REMOTE INPUTS.** When the instrument is operated in the remote mode (pin 5 of this connector is grounded by the programming device), all functions of the instrument are controlled by the remote programming device. Front panel controls (except for LINE STBY-ON) have no effect on operation of the instrument.

Figure 3-1. Front and Rear Panel Controls, Indicators and Connectors (2 of 2)

paragraph 3-18 for further details of incremental step operation.

3-13. Operating Modes

3-14. Sweep. In the sweep mode the sweep width is selected by the keyboard. The sweep width may be displayed on the CENTER FREQUENCY readout by pressing the SWP WIDTH pushbutton to the left of the readout. Only the center frequency is shown in the AUTO or SINGLE SWEEP modes. In the MAN sweep mode the actual RF output frequency of the RF Section will be displayed.

3-15. When the SWEEP MODE switch is placed in the AUTO position the output signal of the RF Section is swept about the selected center frequency by the selected sweep width. (Example: center frequency 50 MHz, sweep width 20 MHz, the RF output is swept from 40 to 60 MHz.) The sweep rate, selected by the RATE switch is as follows: FAST — 100 steps at 1 millisecond per step, MED — 1000 steps at 1 millisecond per step and SLO — 1000 steps at 50 milliseconds per step.

3-16. When the SWEEP MODE switch is placed in the SINGLE position, pressing the SINGLE pushbutton causes the output of the RF Section to be swept one time. When the single sweep is completed, the output of the RF Section returns to the selected center frequency. The sweep width and sweep rate are selected in the same manner as they are in the AUTO mode.

3-17. When the SWEEP MODE switch is placed in the MAN position the step rate of the output frequency of the RF Section may be manually controlled by the MANUAL SWEEP control. In this mode the sweep width is still controlled by the information in the sweep register. The selected sweep width, in this mode, is divided by 1000 and the output of the RF Section may be controlled in frequency steps that are 1/1000 of the sweep width. (Example: center frequency 50 MHz, sweep width 20 MHz, output may be swept manually from 40 to 60 MHz in 20 kHz steps.)

3-18. Step. The center frequency may be stepped up or down, in any increment within the frequency range of the RF Section in use. The increment selected, including units, must be entered in the keyboard before the STEP ↑ or STEP ↓ key is pressed. The step entered into the step register remains in the register until changed (or the instrument is placed in the standby mode) and may

be displayed on the readout by pressing a STEP pushbutton.

3-19. When the MANUAL SWEEP control, a Rotary Pulse Generator, is used to control the STEP mode, the size of the step is determined by the information stored in the STEP register.

3-20. Manual. Manual mode operation is essentially the same as the step mode except that increments selected by the MANUAL MODE switch are 1 Hz (FINE), 1 kHz (MED), and 1 MHz (COARSE). These increments are controlled only by the TUNING control when the MANUAL MODE switch is placed in the selected position.

3-21. Combined. The sweep mode, step mode and manual mode may all be used simultaneously except for Manual Sweep which locks out the Manual Tuning Mode. This feature allows the user to quickly determine the frequency parameters of any device being tested.

3-22. Operator's Checks

NOTE

If the instrument is returned for service, be sure to attach a blue repair tag (located at the end of this manual) with failure information.

3-23. During final checkout at the factory the Model 8660C Synthesized Signal Generator mainframe is adjusted for proper operation. No adjustments should be required when the instrument is received. The operator's checks listed in Table 3-1 are based on the assumption that properly operating RF Sections and Modulation Sections are in place during the tests. Refer to the manuals for the specific plug-ins for operating parameters.

3-24. The steps listed in Table 3-1 need not be followed in the sequence listed. Their purpose is to aid the operator in familiarizing himself with the instrument, and to provide assurance that all functions of the instrument are operating properly.

NOTE

1. Numbers shown in the "Result" column of Table 3-1 are those which should be displayed on the CENTER FREQUENCY readout.

2. Any operator's checks specified in the plug-in Manuals should also be performed.

3-25. Modulator Units

3-26. Since the modulator plug-ins are not affected by the mainframe except for digital control

Table 3-1. Operator's Checks (1 of 4)

Step	Operation	Result
	<p>NOTE</p> <p>All references to CF or other readouts are displayed on the mainframe CENTER FREQUENCY readout.</p>	
<p>1</p> <p>1-a</p> <p>1-b</p> <p>1-c</p>	<p>Initial turn-on.</p> <p>Set the rear panel line select switch in the power line module to be compatible with the available line power.</p> <p>Connect the instrument to the power outlet; use ground pin adapter for electrical systems having no ground outlet.</p> <p style="text-align: center;">NOTE</p> <p>The instrument should remain connected to the power source in the STBY (standby) mode when not in use. This will maintain constant temperature in the crystal oven and eliminate the need for a warmup period.</p> <p>Place the LINE STBY/ON switch in the ON position. Allow the system to warm up for 15 minutes before operating.</p>	<p>Cooling fan starts. CF 1.000000 MHz.</p>
<p>2</p> <p>2-a</p> <p>2-b</p> <p>2-c</p> <p>2-d</p> <p>2-e</p>	<p>Keyboard Register and Readout Checks.</p> <p>Hold in KYBD pushbutton and enter 1.234567890. Note that readout input steps from right to left.</p> <p>With KYBD pushbutton held in:</p> <ul style="list-style-type: none"> Press GHz key Press MHz key Press kHz key Press Hz key <p>Release KYBD pushbutton</p> <p>Press KYBD pushbutton</p> <p>With KYBD pushbutton held in:</p> <ul style="list-style-type: none"> Press kHz key Press MHz key Press GHz key Press CLEAR KYBD key 	<p>Units lights (GHz, MHz, kHz, Hz) are off. 1.234567890</p> <p>1.234567890 GHz 1.234567 MHz 1.234 kHz 1 Hz 1.000000 MHz 1 Hz</p> <p>1.000 kHz 1.000000 MHz 1.000000000 GHz 0000000000</p>
<p>3</p> <p>3-a</p> <p>3-b</p> <p>3-c</p> <p>3-d</p> <p>3-e</p>	<p>Step ↑ register and OUT OF RNG Annunciator: Check with the 86601A RF Section.</p> <p>Enter 109.000000 MHz CF on keyboard. Enter 111111 Hz STEP ↑ on keyboard</p> <p>Press the KYBD pushbutton Release the KYBD pushbutton</p> <p>Press the STEP ↑ key until the readout shows. Note that readout has increased in steps of 111111 Hz.</p> <p>Press the STEP ↑ key one more time.</p> <p>Place the MANUAL MODE switch in the STEP position and turn the TUNING control counterclockwise. Place the MANUAL MODE switch in the OFF position.</p>	<p>109.000000 MHz 109.111111 MHz 111111 Hz 109.111111 MHz 109.999999 MHz</p> <p>109.999999 MHz OUT OF RNG light flashes once.</p> <p>Readout decreases in 111111 Hz steps.</p>

Table 3-1. Operator's Checks (2 of 4)

Step	Operation	Result
3-f	Enter 10 kHz CF on the keyboard Enter 1 Hz STEP ↑ on the keyboard Press STEP pushbutton Press STEP ↓ key twice With the Model 86601A RF Section the specified lower frequency limit is 10 kHz. NOTE <i>The Model 86601A RF Section lower frequency limit is specified at 10 kHz. The output frequency is accurate down to 1 Hz and the output power level is typically accurate down to 3 kHz or less. However, the output signal should be considered unusable below 1.5 kHz.</i>	10.000 kHz 10.001 kHz 1 Hz 9.999 kHz OUT OF RNG light stays on.
3-g	Enter 3 kHz CF on the keyboard Enter 100 Hz STEP ↓ Repeatedly press the STEP ↓ key. Note that the CF readout decreases in 100 Hz steps. The RF output level will typically start to drop below 2 kHz.	3.000 kHz 2.900 kHz OUT OF RNG light on
4	STEP ↑ ↓ register and OUT OF RNG annunciator check with the 86602A RF Section. 4-a Enter 1200.000000 MHz CF on keyboard. Enter 11.111111 MHz STEP ↑ on keyboard. 4-b Press KYBD pushbutton Release KYBD pushbutton, 4-c Continue pressing STEP ↑ key until readout displays: 4-d Press the STEP ↑ key one more time. 4-e Set the MANUAL MODE switch to the STEP position and turn the TUNING CONTROL counterclockwise. 4-f Enter 1 MHz CF on the keyboard Enter 1 Hz STEP ↑ on the keyboard Press STEP pushbutton Press STEP ↓ on keyboard twice	1200.000000 MHz 1211.111111 MHz 11.111111 MHz 1211.111111 MHz 1299.999999 MHz 1299.999999 MHz OUT OF RNG light flashes once. Readout decreases in 11.111111 MHz steps. 1.000000 MHz 1.000001 MHz 1 Hz OUT OF RNG light stays on.
5	STEP ↑ ↓ register and OUT OF RNG annunciator check with the 86603A RF Section. 5-a Enter 2500.000000 MHz CF on keyboard Enter 11.111111 MHz STEP ↑ on keyboard 5-b Press KYBD pushbutton Release the KYBD pushbutton 5-c Continue pressing STEP ↑ key until readout displays: NOTE <i>The frequency increase alternates between 11.111110 and 11.111112 MHz due to the 2 Hz resolution of center frequencies ≥ 1300 MHz).</i>	2500.000000 MHz 2511.111110 MHz 11.111111 MHz 2511.111110 MHz 2599.999998 MHz

Table 3-1. Operator's Check (3 of 4)

Step	Operation	Result
5-d	Press the STEP ↑ key one more time	2599.999998 MHz OUT OF RNG light flashes once.
5-e	Set the MANUAL MODE switch to the STEP position and turn the TUNING CONTROL counterclockwise.	The readout decrease is in 11.111110 or 11.111112 MHz steps (to a minimum of .000025 MHz).
5-f	Enter 1 MHz CF on the keyboard Enter 1 Hz STEP ↑ on the keyboard Press STEP pushbutton Press STEP ↓ on keyboard twice	1.000000 MHz 1.000001 MHz 1 Hz .999999 MHz OUT OF RNG light stays on.
6	<p>MANUAL MODE – MANUAL TUNING Check (With 86601A)</p> <p>NOTE <i>The upper frequency limit for 86602A/B RF Section is 1299.999999 MHz; for 86603A, 2599.999998 MHz</i></p>	
6-a	Set the SWEEP MODE switch to OFF and enter 0 MHz CF	.000000 MHz and OUT OF RNG light is on.
6-b	Set the MANUAL MODE switch to COARSE and rotate the TUNING control clockwise until the readout indicates: Note that the readout steps in 1 MHz increments.	109.000000 MHz
6-c	Set the MANUAL MODE switch to MED and rotate the TUNING control clockwise until the readout indicates: Note that the readout steps in 1 kHz increments.	109.999000 MHz
6-d	Set the MANUAL MODE switch to FINE and rotate the TUNING control clockwise until the readout indicates: Note that the readout steps in 1 Hz increments.	109.999999 MHz
	<p>NOTE <i>The OUT OF RNG light flashes on when the RF Section upper frequency limit is passed. The system rejects overrange frequencies and the CF register retains the last valid entry.</i></p>	
7	<p>Sweep Mode Checks with 86601A RF Section.</p> <p>NOTE <i>Proper operation of the instrument in the sweep mode is best verified with a spectrum analyzer. However, operation of the sweep function can be verified by front panel indications as described in steps 7-a and 7-b.</i></p>	
7-a	Set CF to 5 kHz and SWP WIDTH to 10 kHz. Place the SWEEP MODE switch in the AUTO position and the RATE switch in the SLO position.	SWEEP and OUT OF RNG lights on. RF Output meter level drops every 50 seconds.

Table 3-1. Operator's Check (4 of 4)

Step	Operation	Result
7-b	Set CF to 10 kHz. Other functions as in step 7-a.	SWEEP LIGHT remains lit. OUT OF RNG light alternates, 25 seconds on, 25 off.
7-c	Connect the RF output to the RF INPUT of the spectrum analyzer. Enter 10 MHz CF and 10 MHz SWP WIDTH and SWEEP MODE to AUTO. Position the RATE switch to MED and adjust the spectrum analyzer for a clear display. Enter 5 MHz STEP and step the frequency across the RF range.	Readout increases in 5 MHz steps. Sweep continues to be 5 MHz on each side of the CF.
8	Sweep Mode Checks with 86602A, 86602B or 86603A RF Sections.	
8-a	Set CF to 5 MHz Set SWP WIDTH to 10 MHz Set SWEEP MODE to AUTO and RATE switch to SLO	5.000000 MHz 5.000000 MHz 5.000000 MHz OUT OF RNG light flashes every 50 s. RF Section meter also dips. SWEEP light remains on.
8-b	Set CF to 1 MHz	1.000000 MHz SWEEP light on. OUT OF RNG light on every 25 s.
8-c	Set CF to 5 MHz on keyboard. Set SWEEP RATE switch to MED	5.000000 MHz OUT OF RNG light flashes on at 1 s rate.
9	Manual Sweep Check	
9-a	Enter 50 MHz CF and 10 MHz SWP WIDTH. Place the SWEEP MODE switch in the MAN position. Rotate the MANUAL SWEEP control through its range.	CF is tuneable from 45 to 55 MHz.
10	Single Sweep Check	
10-a	Enter 50 MHz CF and 20 MHz SWP WIDTH and place the SWEEP MODE switch in the SINGLE position. Press the SWP WIDTH pushbutton. Connect the RF output to the RF INPUT of the spectrum analyzer to display the 50 MHz signal. Press the SINGLE pushbutton.	50.000000 MHz 20.000000 MHz Spectrum analyzer display is swept once from 40 to 60 MHz.

voltages, operator's checks for the modulators are not included in Table 3-1. Refer to the individual manuals for the modulator plug-in in use for applicable operator's checks.

3-27. RF Units

3-28. Many of the tests specified in Table 3-1 do not apply specifically to an RF Section. Those checks which are not referred to a specific RF Section apply equally to the Model 86601, 86602, and the 86603. When procedures apply to specific RF Sections only, this information is conveyed following the procedure.

NOTE

Most of the programming tables in this section apply equally to local and remote modes.

3-29. REMOTE OPERATION

3-30. There are currently two means of remotely programming the Model 8660C. They are BCD (Binary Coded Decimal) and HP-IB (Hewlett-Packard Interface Bus). In the text which follows, programming and other requirements which are common to both means will be discussed first, then BCD requirements, and finally HP-IB requirements.

3-31. General Programming Requirements

3-32. There are several conventions which must be observed when remotely controlling the Model 8660C. Besides providing data with the least significant digit first, these conventions include:

a. All output levels are referenced to +13 dBm. This reference operation involves subtracting 13 from the desired output level.

b. There are three separate modulation parameters which may be programmed; source, type and %. Source and type are combined into one number (source is the least significant digit).

c. When in the remote mode, all front panel controls except the LINE STBY/ON and FM CAL controls are inhibited.

d. Digital sweep may not be operated in the remote mode of operation.

e. When changing from the local to the remote mode of operation the temporary storage

register should be cleared before a remote entry is made.

f. The data level inputs to the Model 8660C are as follows: approximately 0 volts (TTL LOW) = 1 and approximately 2.8V (TTL HIGH) = 0 (sometimes referred to as negative or ground true logic).

3-33. BCD Remote Operation

3-34. The following information pertaining to BCD programming, does not apply to HP-IB programming.

3-35. In BCD remote operation two four-bit parallel codes are applied to the instrument circuits through a rear panel connector (J3). These inputs, if numeric data, are converted to BCD digit serial information and clocked into a temporary storage register. If the inputs are address information they are clocked into a temporary storage register. If the inputs are address information they are used to direct a clock to strobe the data from the temporary storage register into the desired final storage register.

3-36. When all of the significant data entries have been stored in the temporary storage registers, the least significant digit is stored in a position to allow it to be the first digit strobed out, then the next least significant digit, etc, so that the information will be stored in the appropriate register in the same sequence in which it was received.

3-37. Operation of the storage registers not located in the Model 8660C mainframe is detailed in the manuals for the plug-in sections. Table 3-3 provides examples of programming the registers which may be programmed when the Model 8660C mainframe is used.

3-38. Refer to Figures 3-2 and 3-3 for timing information and to Table 3-5 for interconnection information.

NOTE

Although it is not necessary to program frequency first, then modulation (if any), then attenuation, this sequence minimizes the time required for entering data.

3-39. Data Inputs. Data inputs (logic 1=0) must be referenced to the command pulse as shown in

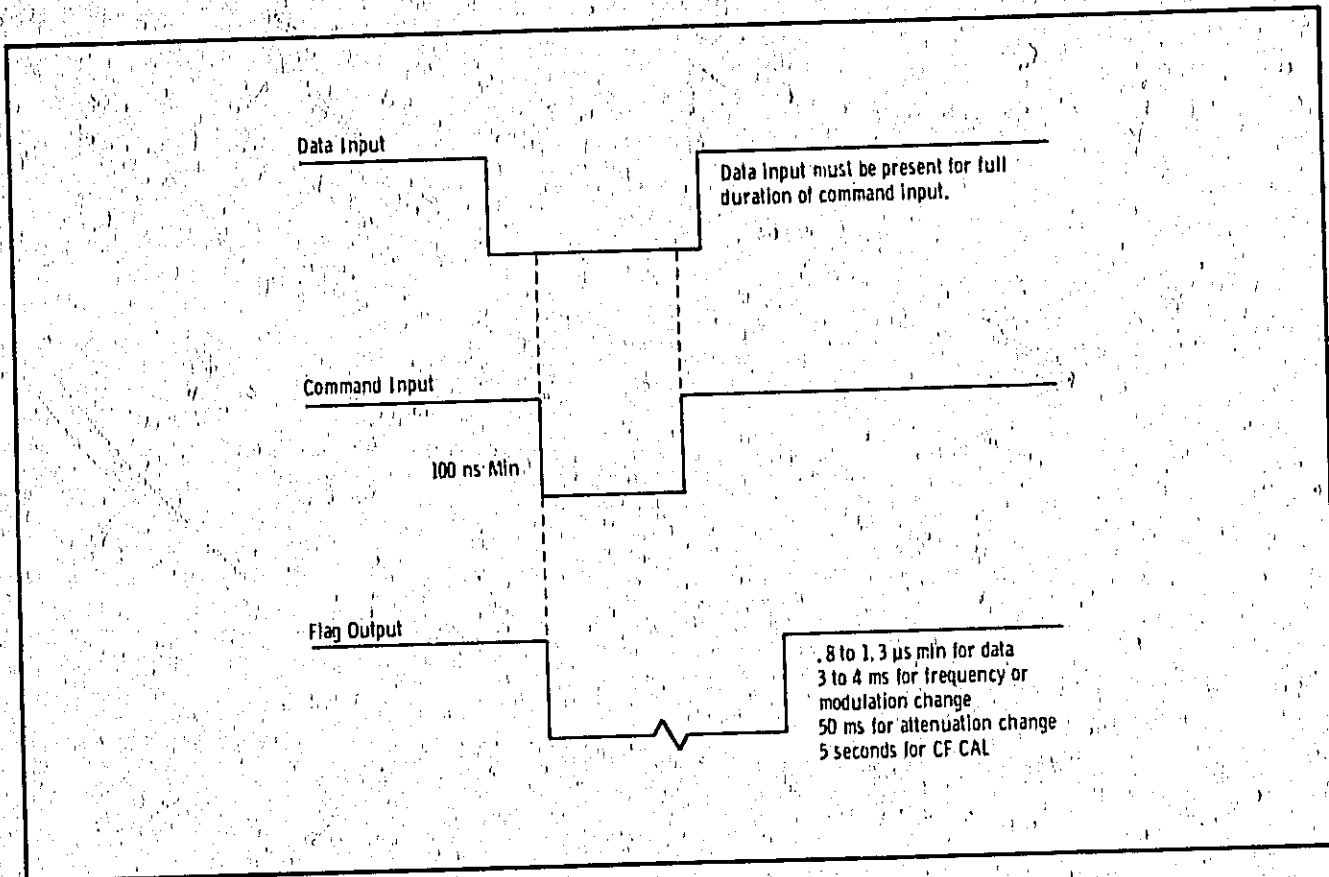


Figure 3-2. Model 8660C Data Input Timing

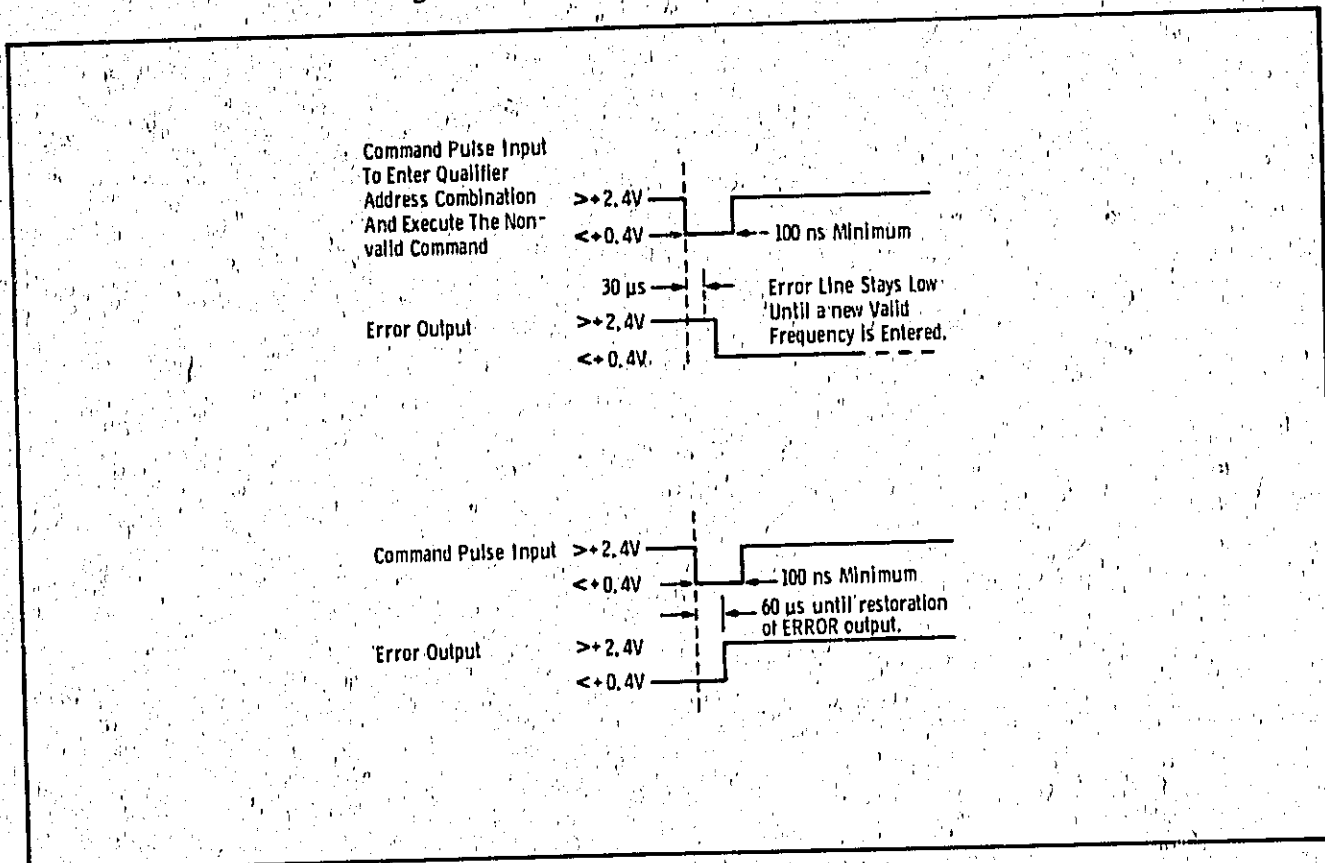


Figure 3-3. Model 8660C Error Output Timing

Figure 3-2. The data inputs may be terminated after the command pulse trailing edge.

3-40. The command pulse causes the input data to be stored in the temporary storage register or, if the data input is an address, to be stored in one of the final storage registers. These pulses are logic 1 (0V) pulses of 100 nanoseconds minimum width, maximum frequency of 500 kHz. Pulses for low transfer frequencies may be wider if consistent with the duty cycle. The leading edge must have a fall time of 100 nanoseconds or less. Transfer occurs on the leading edge of the pulse. Note that data must be held until the command pulse terminates. The flag signal is also initiated by the falling (leading) edge of the command pulse.

3-41. Flag Signal. The flag signal indicates receipt and execution of the command pulse from the remote programming device. The flag signal will be logic 1 (0V). Duration of the signal will depend on the function programmed.

3-42. Error Signal. Indicates frequency out of range or crystal oven temperature is not stabilized. The error signal will be at a logic 1 (0V) for the period of the function error (see Figure 3-3).

3-43. Reset. Controls the DCU circuits in the same manner as the DCU power detect circuit does when the instrument is first turned on. It also initializes circuitry and resets the data registers. Requires a logic 1 (0V) level which may be as short as 5 microseconds.

NOTE

When switching from remote to local operation clear the keyboard before making an entry.

3-44. HP-IB Remote Operation

3-45. HP-IB (Hewlett-Packard Interface Bus) is a general purpose interface system. Although the

Table 3-2. Storage Register Addresses

Name of Register	Address 0=High, 1=Low	Location	Function
Center Frequency	0000 (0)	Mainframe	To set Center Frequency
Step ↑	0001 (1)	Mainframe DCU	To step center frequency up in any increment
Step ↓	0010 (2)		To step center frequency down in any increment
Attenuator	0011 (3)	RF Section plug-in	Controls level of RF OUTPUT
AM-FM Function	0100 (4)	Modulation Section plug-in	Selects Modulation Function
AM-FM%	0101 (5)	Modulation Section plug-in	*Selects AM % of Modulation or FM Deviation
FM CAL 86635 or 86632 only	0110 (6)	Modulation Section plug-in	Phase locks 20 MHz FM oscillator to the reference loop 20 MHz

*The 86632B and the 86635A require inputs of one half of the desired deviation in remote mode.

Table 3-3. Model 8660C Programming Examples (1 of 3)

EXAMPLE 1. Set 100.000000 MHz Center Frequency (CF)			
Input		Temporary Register	CF Register
0=High	1=Low		
Data:	D ₁ 0001 (1) D ₂ 0000 (0)	00 00 00 00 00	Last Input
Temporary Command		01 00 00 00 00	Last Input
Address:	D ₁ 1111 (15) D ₂ 0000 (0)	01 00 00 00 00	Last Input
Transfer Command		00 00 00 00 00	01 00 00 00 00
EXAMPLE 2. Set 107.654321 MHz Center Frequency (CF)			
Input		Temporary Register	CF Register
0=High	1=Low		
Data:	D ₁ 0001(1) D ₂ 0010 (2)	00 00 00 00 00	Last Input
Temporary Command		21 00 00 00 00	Last Input
Data:	D ₁ 0011 (3) D ₂ 0100 (4)	21 00 00 00 00	Last Input
Temporary Command		43 21 00 00 00	Last Input
Data:	D ₁ 0101 (5) D ₂ 0110 (6)	43 21 00 00 00	Last Input
Temporary Command		65 43 21 00 00	Last Input
Data:	D ₁ 0111 (7) D ₂ 0000 (0)	65 43 21 00 00	Last Input
Temporary Command		07 65 43 21 00	Last Input
Address:	D ₁ 1111 (15) D ₂ 0000 (0)	01 07 65 43 21	Last Input
Transfer Command		00 00 00 00 00	01 07 65 43 21
EXAMPLE 3. Set 120 dB Attenuation (RF SECTION) Below +13 dBm (1 volt)			
Input		Temporary Register	Atten Register
0=High	1=Low		
Data:	D ₁ 0010 (2) D ₂ 0001 (1)	00 00 00 00 00	Last Input
Temporary Command		12 00 00 00 00	Last Input
Address:	D ₁ 1111 (15) D ₂ 0011 (3)	12 00 00 00 00	Last Input
Transfer Command		00 00 00 00 00	120
NOTE			
The attenuator is a three-digit register; only the three most significant digits are retained.			

Table 3-3. Model 8660C Programming Examples (2 of 3)

EXAMPLE 4. Set 7 dB Attenuation (RF SECTION) Below +13 dBm (1 volt)			
Input 0=High 1=Low		Temporary Register	Atten Register
Data: D ₁ 0000 (0) D ₂ 0111 (7)		00 00 00 00 00	Last Input
Temporary Command		70 00 00 00 00	Last Input
Data: D ₁ 0000 (0) D ₂ 0000 (0)		70 00 00 00 00	Last Input
Temporary Command		00 70 00 00 00	Last Input
Address: D ₁ 1111 (15) D ₂ 0011 (3)		00 70 00 00 00	Last Input
Transfer Command		00 00 00 00 00	007
See note for Example 3			
EXAMPLE 5. Shut off Modulation (MODULATION SECTION)			
Input 0=High 1=Low		Temporary Register	Function Register
Address: D ₁ 1111 (15) D ₂ 0100 (4)		00 00 00 00 00	Last Input
Transfer Command		00 00 00 00 00	00
NOTE: All digits are zero - no modulation			
EXAMPLE 6. Set 3% AM Modulation, Internal 1 kHz (MODULATION SECTION)			
Input 0=High 1=Low		Temporary Register	AM-FM % Register
Data: D ₁ 0011 (3) D ₂ 0000 (0)		00 00 00 00 00	Last Input
Temporary Command		03 00 00 00 00	Last Input
Address: D ₁ 1111 (15) D ₂ 0101 (5)		03 00 00 00 00	Last Input
Transfer Command		00 00 00 00 00	03 into % Storage
Data: D ₁ 0001 (1) D ₂ 1000 (8)		00 00 00 00 00	
Temporary Command		81 00 00 00 00	
Address: D ₁ 1111 (15) D ₂ 0100 (4)		81 00 00 00 00	
Transfer Command		00 00 00 00 00	81 into AM-FM Function Register Sets AM and 1 kHz
NOTE: See Table 3-4. for AM-FM Function Register Codes			

Table 3-3. Model 8660C Programming Examples (3 of 3)

EXAMPLE 7. Set 10 MHz STEP ↑			
Input		Temporary Register	INCR Register
0=High	1=Low		
Data:	D ₁ 0000 (0) D ₂ 0001 (1)	00 00 00 00 00	Last Input
Temporary Command		10 00 00 00 00	Last Input
Data:	D ₁ 0000 (0) D ₂ 0000 (0)	10 00 00 00 00	Last Input
Temporary Command		00 10 00 00 00	Last Input
Address:	D ₁ 1111 (15) D ₂ 0001 (1)	00 10 00 00 00	Last Input
Transfer Command		00 00 00 00 00	00 10 00 00 00

Table 3-4. AM - FM Function Register Coding

DIGIT 2 (D ₂)		DIGIT 1 (D ₁)	
0=High	1=Low	0=High	1=Low
0M	1100 (12)	EXT. AC (UNLEVELED)	1001 (9) 86633 only
FM X .1	0100 (4)	EXT. DC	0100 (4)
FM X 1	0010 (2)	INT. 400 Hz	0010 (2)
FM X 10	0001 (1)	INT. 1 kHz	0001 (1)
OFF	0000 (0)		

Table 3-5. Programming Connections to J3

J3 Pin No.	To A3XA5 Pin No.	Signal	Other
1			To J3 pin 18
3	2	Error	
5	5	LCL-RMT	
9	11	Command	
13	15	Digit 1 - 8	
14	16	Digit 1 - 4	
15	17	Digit 1 - 2	
16	18	Digit 1 - 1	
17	A	Flag (Busy)	
24	J	Reset	
28	S	Digit 2 - 8	
29	T	Digit 2 - 4	
30	U	Digit 2 - 2	
31	V	Digit 2 - 1	
36			Ground

J3 pins not listed are also wired to A3XA5. See the rear interface board schematic diagram for wiring information.

HP-IB uses many of the operational parameters (coding, handshake, etc.), the terms HP-IB and ASCII should not be used interchangeably because they are not completely compatible.

3-46. The HP-IB interface systems use seventeen lines to effect the transfer of data between the instruments connected to the bus. Eight of these lines are used for the actual transfer of data, one line is ground and the remaining eight lines are used for control.

3-47. Table 3-6 illustrates the HP-IB bus interface line designations. The ground line, being self-explanatory, is not shown.

3-48. The structure and operation of the bus is analogous to an old-fashioned party line, and many of the conventions which apply to a party line apply to the HP-IB interface as well. For instance, at any given time only one person may talk on the party line, while many people may listen, and most will not be using the party line at all.

3-49. Similarly, on the HP-IB interface, only one instrument may talk (send data) at any given time, although many instruments may listen (receive data), and most instruments will not interact with the bus at all.

3-50. In order to determine which instruments are to "talk", which are to "listen", and which are to remain inactive, some sort of a controller is required. This controller, which might be a calculator, assigns functions to the various instruments by sending data over the eight lines to all instruments. Any instrument becomes a listener when its listen address is placed on the bus and remains a listener until the "unlisten" command is transmitted. Talkers, on the other hand, stop functioning as talkers whenever another talk address is put on the data lines. This prevents more than one device from talking at any given time.

3-51. In order for the instrument to distinguish between data and addresses, both of which are sent over the eight data lines, an "address mode/data mode" selector called the Multiple Response Enable (MRE) line is driven by the controller. When this line is low, all instruments listen to the eight data lines and interpret the information being transmitted by the controller as addresses. When the MRE line is high, information on the eight data lines is interpreted as data and the instruments talk, listen or remain inactive as determined during the time they were addressed when MRE was low.

3-52. **Three-Wire Handshake.** Information, whether addresses, measurement results, or other data is transferred on the data lines under control of a technique called the three-wire handshake. The handshake involves the use of three control lines, and operates as follows:

a. A listener indicates that it is ready to accept data by letting the Ready for Data (RFD) line go high. Listeners are connected to the RFD line in a logical AND configuration so the RFD line does not go high until all active listeners are ready for data.

b. After RFD has gone high, the talker indicates that it has placed a data byte on the eight data lines by setting the Data Valid (DAV) line low.

c. After DAV has gone low, each listener pulls RFD low, accepts the data, and then lets the data accepted (DAC) line go high. Again, all listeners are logically ANDed and DAC does not go high until all listeners have accepted the data.

d. After the DAC line has gone high, the talker can let DAV go high again and take the data off the lines. When DAV goes high, the listeners set DAC back to low and the sequence is ready to repeat with step 1 of Figure 3-4.

3-53. As can be seen from the description, data transfer is asynchronous, proceeding only as fast as the slowest active (addressed to talk or listen) device on the line.

NOTE

Figure 3-4 illustrates a flow chart of the three-wire handshake operation.

3-54. The four remaining control lines operate as follows:

a. The Remote Enable (REN) line allows the controller to put all instrument on the bus in the remote mode. When this line is low, all instruments will go into remote as soon as they are addressed, and remain in remote until the line goes high again.

b. The End Output (EOP) line, when pulled low by the system controller, will halt all activity on the bus and cause all instruments to unaddress themselves.

Table 3-6. HP-IB Interface Lines

	Name	Abbreviation	Description
D A T A B U S	Data Input/Output 1	DI01	These lines carry address data, basic measurement data, control and program data, and status data.
	Data Input/Output 8	DI08	
T R A N S F E R M A N A G E M E N T B U S	Data Valid	DAV	These lines control the transfer of data over the DI01-DI08 lines.
	Ready for Data	RFD	
	Data Accepted	DAC	
	Multiple Response Enable	MRE	Indicates whether information on DI01-DI08 should be interpreted as data common to all instruments (addresses) or data directed to selected instruments.
	Remote Enable	REN	Switches all instruments between remote and local mode.
	End Output	EOP	Allows controller to halt communication over the bus.
	Service Request	SRQ	Allows instruments on the bus to get the attention of the controller.
End or Identify	EOI	Enables the controller to determine which instrument requested service through the SRQ line.	

c. The Service Request (SRQ) line allows instruments to get the attention of the controller. The Model 8660C does not use this line, so its function will not be described here.

d. The End OR Identify (EOI) line is used to identify which instrument pulled the SRQ line low. The Model 8660C does not use this line.

3-55. When a standard Model 8660C is modified to accept the HP-IB interface the instructions contained in the modification kit must be followed to install the two new circuit boards.

3-56. In addition to following the modification instructions, special care should be taken to observe jumper positions on the HP-IB boards.

3-57. Before installing the HP-IB circuit boards check the address jumpers, and change if required. It should be noted that if more than one Model

8660C is used in a system, it is not likely that operational parameters will be the same for each, so different addresses will probably be required for each instrument.

3-58. When used in the Model 8660C, jumper J2 must not be connected.

3-59. Jumper J1 is installed at the operator's choice. With it in place the internally generated BUSY signal is used to delay the RFD response. Without it, the operator must make allowances in programming for the necessary settling time of the Model 8660C.

3-60. The information contained in this section of this manual applies only to Model 8660C Option 005 HP-IB instruments. Refer to Table 3-7 for HP-IB codes. Information contained in this section for other types of remote control does not apply to Option 005 instruments.

3-61. Local control operation of Option 005 instruments is the same as that described for the Model 8660C in other parts of this section.

3-62. Basically, the Model 8660C Option 005 instruments are the same as the standard Model 8660C instruments except that the capability of remote operation using the HP-IB interface is added and BCD interface is deleted. Basic information about HP-IB is included in the General Information Section of this manual.

3-63. Option 005 allows remote programming via the HP-IB interface of all 8660C front panel controls except LINE, (POWER), SWEEP MODE, and MANUAL MODE. All front panel controls except LINE AND FM CAL are locked out when the Model 8660C is in remote.

3-64. The Model 8660C HP-IB interface will recognize an internally preset "listen" address and accept bit-parallel, word serial HP-IB information. When addressed to listen, the Model 8660C shifts incoming data into a temporary storage register. This data must be presented to the interface least significant digit first to satisfy the internal logic

requirements of the Model 8660C. When a programming code is detected in the input data, the contents of the temporary storage register are shifted into the register selected by the internal address character. The temporary register is then cleared to make way for more data.

3-65. There are three separate modulation parameters which may be programmed; source, type and %. Source and type are combined into one number (source is the least significant digit) and this number is followed by the address "\$". To turn off the modulation section, code 0 for modulation type. When programming AM, % modulation refers to percentage of full scale. Thus the FM X 10 range is 1000 kHz full scale, and 20% would mean 200 kHz deviation. With this setup the deviation of the 86632B or the 86635A would be 400 kHz.

3-66. One last convention is that after the Model 8660C is placed in remote, the first output of the HP-IB interface should be a false address which serves to clear the temporary storage register. This can be accomplished by first addressing the Model 8660C to listen, then placing "/" on the HP-IB line.

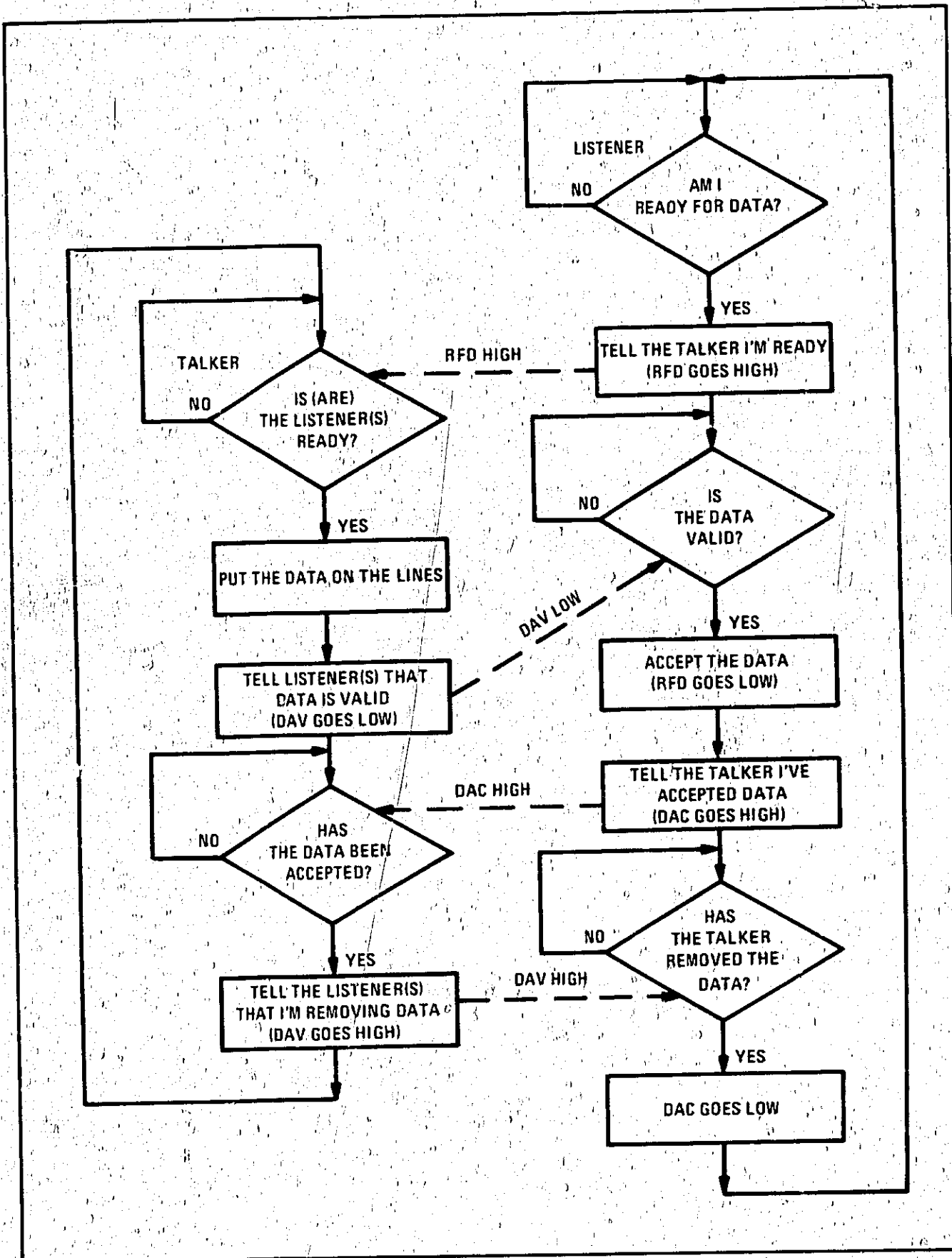
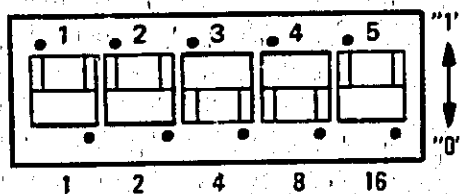


Figure 3-4. Handshake Flow Chart

Table 3-7. HP-IB Code Allocations

DIO LINES		UNIVERSAL BUS COMMANDS			DEVICE LISTEN ADDRESS		DEVICE TALK ADDRESS												
8 →	→	x	x	x	x	x	x												
7 →	→	H	H	H	H	L	L												
6 →	→	H	H	L	L	H	H												
5 →	→	H	L	H	L	H	L												
		COLUMN → 0			1	2	3	4	5										
4 ↓	3 ↓	2 ↓	1 ↓	ROW ↓	OCTAL DECIMAL BUS COMMAND	OCTAL DECIMAL SYMBOLIC ADDRESS	OCTAL DECIMAL SYMBOLIC ADDRESS	OCTAL DECIMAL SYMBOLIC ADDRESS	OCTAL DECIMAL SYMBOLIC ADDRESS										
H H H H	0	0	0.	20	16.	40	32.	SP	60	48.	0	100	64.	@	120	80.	P		
H H H L	1	1	1.	21	17.	*LLO	41	33.	!	61	49.	!	101	65.	A	121	81.	Q	
H H L H	2	2	2.	22	18.	R*	42	34.	"	62	50.	2	102	66.	B	122	82.	R	
H H L L	3	3	3.	23	19.	R*	43	35.	#	63	51.	3	103	67.	C	123	83.	S	
H L H H	4	4	4.	24	20.	DCR	44	36.	\$	64	52.	4	104	68.	D	124	84.	T	
H L H L	5	5	5.	25	21.	UNASSIGNED	45	37.	%	65	53.	5	105	69.	E	125	85.	U	
H L L H	6	6	6.	26	22.		UNAS- SIGNED	46	38.	&	66	54.	6	106	70.	F	126	86.	V
H L L L	7	7	7.	27	23.		SPE	47	39.	'	67	55.	7	107	71.	G	127	87.	W
L H H H	8	8	8.	28	24.		SPE	48	40.	(68	56.	8	108	72.	H	128	88.	X
L H H L	9	9	9.	29	25.		SPD	49	41.)	69	57.	9	109	73.	I	129	89.	Y
L H L H	10	10	10.	30	26.			50	42.	*	70	58.	:	110	74.	J	130	90.	Z
L H L L	11	11	11.	31	27.			51	43.	+	71	59.	;	111	75.	K	131	91.	[
L L H H	12	12	12.	32	28.		R*	52	44.	,	72	60.	<	112	76.	L	132	92.	\
L L H L	13	13	13.	33	29.		R*	53	45.	-	73	61.	=	113	77.	M	133	93.]
L L L H	14	14	14.	34	30.			54	46.	.	74	62.	>	114	78.	N	134	94.	^
L L L L	15	15	15.	35	31.			55	47.	/	75	63.	?	115	79.	O	135	95.	_
								UNLISTEN COMMAND						UNTALK COMMAND					

H = High State. L = Low State. X = Unused when MRE is low. LLO = Local Lockout. DCR = Device Clear. R* = Reserved for future assignments. SPE = Status Poll Enable. SPO = Status Poll Disable. [] = Control Bits. DIO = Data Input Output Signal Lines, DIO1-8.



† Figure 3-5. HP-IB Address Switch S1 with Factory Set ASCII Address Code 3 Selected (19₁₀). (Shown as mounted in 8660C on A3A2 assembly.)

Table 3-8. 8660 HP-IB Coding Table

	Function	HP-IB Character
INTERNAL ADDRESSES	{ CENTER FREQUENCY STEP↑ STEP↓ OUTPUT LEVEL MODULATION MODE/SOURCE MODULATION LEVEL ¹ FM CALIBRATE ²	{
		A
		B
		C
		\$
MODULATION SOURCE	{ OFF FM X 10 ² FM X 1 ¹ FM X 0.1 ¹ AM ^{1,3} φM ⁴	0
		1
		2
		4
		8 ⁶
	{ INT 1 KHZ ¹ INT 400 HZ ¹ EXT DC EXT AC EXT AC UNLEVELED ⁵	1
		2
		4
		8
		9
HP-IB SYSTEM ADDRESSES	{ 8660 LISTEN ADDRESS (FACTORY SELECTED) OTHER POSSIBLE LISTEN ADDRESS } for OTHER POSSIBLE LISTEN ADDRESS } multiple OTHER POSSIBLE LISTEN ADDRESS } units UNIVERSAL UNLISTEN DEVICE CLEAR (DCL)	3
		:
		;
		>
		?
DIGITS		Controller Dependent ⁷
		0
		1
		2
		3
		4
		5
		6
		7
		8
9		

¹ Not used in 86634A

² 86632 and 86635A only

³ Not used in 86635A

⁴ 86634A and 86635A only

⁵ 86633 only

⁶ Use \leq on 9820 Calculators

⁷ Use DISPLAY 4 on 9820 calculators; decimal 20 in binary format on 9830 calculators.

PERFORMANCE CHECK

SECTION IV PERFORMANCE TESTS

4-1. INTRODUCTION

4-2. The procedures in this section test the instrument's electrical performance using the specifications of Table 1-1 as the performance standards. A simpler operations test is included in Section III under Operator's Checks.

4-3. EQUIPMENT REQUIRED

4-4. Equipment required for the performance tests is listed in the Recommended Test Equipment table in Section I. Any equipment that satisfies the

critical specifications given in the table may be substituted for the recommended models(s).

4-5. TEST RECORD

4-6. Results of the performance tests may be tabulated on the Test Record at the end of the procedures. The Test Record lists all of the tested specifications and their acceptable limits. Test results recorded at incoming inspection can be used for comparison in periodic maintenance and troubleshooting and after repairs or adjustments.

PERFORMANCE TESTS

4-7. INTERNAL CRYSTAL OSCILLATOR AGING RATE

SPECIFICATION:

Reference Oscillator Internal: 10 MHz quartz oscillator. Aging rate less than ± 3 parts in 10^6 per 24 hours after 72 hour warmup. (± 3 parts in 10^9 per 24 hours after 30 day warmup, Option 001).

DESCRIPTION:

This test verifies the reference oscillator aging rate after the instrument has been connected to the ac line for 72 hours.

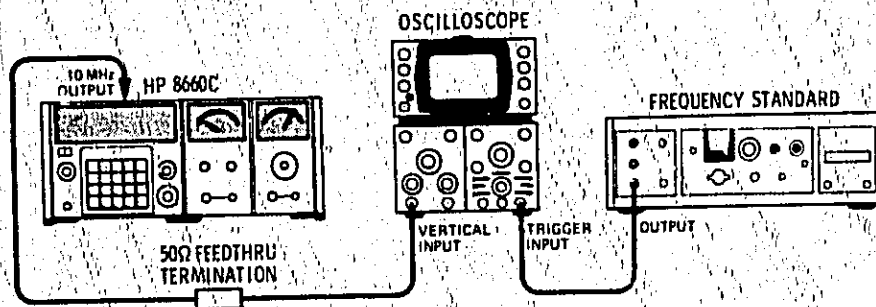


Figure 4-1. Crystal Oscillator Aging Rate Test Setup

EQUIPMENT:

Frequency Standard	HP 5065A
Oscilloscope	HP 180/1801A/1821A
50 Ohm Feedthru Termination	HP 11048C

PERFORMANCE TESTS

4-7. INTERNAL CRYSTAL OSCILLATOR AGING RATE (Cont'd)

PROCEDURE:

1. Set the rear panel REFERENCE switch to INT.
2. Connect the equipment as shown in Figure 4-1.
3. Adjust the oscilloscope controls for a stable display of the 10 MHz output.
4. Measure the time required for a phase change of 360°. Record the time (T_1) in seconds.

$T_1 =$ _____ s

5. Wait for a period of time (from 3 to 24 hours) and re-measure the phase change time (T_2). Record the period of time between measurements (T_3) in hours.

$T_2 =$ _____ s

$T_3 =$ _____ h

6. Calculate the aging rate from the following equation:

$$\text{Aging Rate} = \left| \left(\frac{1 \text{ cycle}}{f} \right) \left(\frac{1}{T_1} - \frac{1}{T_2} \right) \left(\frac{T}{T_3} \right) \right|$$

where: 1 cycle = the phase change reference for the time measurement (in this case 360°)

f = Synthesizer's reference output frequency (10 MHz)

T = specified time for aging rate (24h)

T_1 = initial time measurement(s) for a 360° (1 cycle) change

T_2 = final time measurement(s) for a 360° (1 cycle) change

T_3 = time between measurement (h)

for example:

if $T_1 = 351\text{s}$

$T_2 = 349\text{s}$

$T_3 = 3\text{h}$

$$\begin{aligned} \text{then Aging Rate} &= \left| \left(\frac{1 \text{ cycle}}{10 \text{ MHz}} \right) \left(\frac{1}{351\text{s}} - \frac{1}{349\text{s}} \right) \left(\frac{24\text{h}}{3\text{h}} \right) \right| \\ &= 1.306 \times 10^{-11} \end{aligned}$$

PERFORMANCE TESTS

4-8. REFERENCE TEST

SPECIFICATION:

At 5 or 10 MHz from 0.75 to 1.5 Vrms into 170 ohms.

DESCRIPTION:

This test verifies proper operation of the reference amplifier and relay switching circuits.

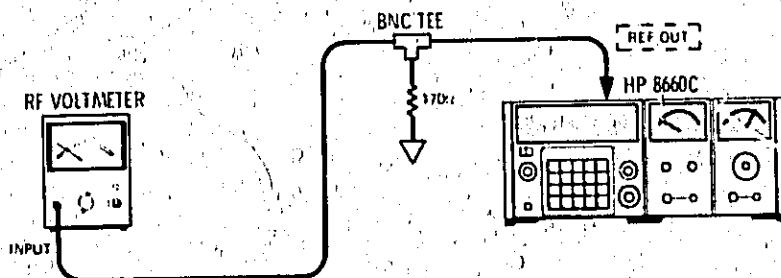


Figure 4-2. Internal Reference Test Setup

TEST EQUIPMENT:

RF Voltmeter HP 3400A

PROCEDURE:

1. Connect the RMS Voltmeter to the REFERENCE OUTPUT (rear panel) jack and set the SELECTOR switch (rear panel) to the INT position.
2. The RMS Voltmeter should display a signal from 0.75 to 1.5 Vrms.

Table 4-1. Performance Test Record

Hewlett-Packard Model 8660C Synthesized Signal Generator	Tests performed by _____
Serial No. _____	Date _____
Crystal Oscillator Aging Rate OPT 001	Actual _____ Actual _____
Output Reference Level	Actual _____

ADJUSTMENTS

SECTION V ADJUSTMENTS

5-1. INTRODUCTION

5-2. This section describes adjustments and checks required to return the Model 8660C to peak operating capability when repairs have been made. Included in this section are test setups and procedures.

5-3. Except for the power supply adjustment procedures, which should be performed before repairs are made to any part of the instrument, the adjustment procedures are arranged in the same sequence as the service sheets to which they refer.

5-4. EQUIPMENT REQUIRED

5-5. Each adjustment procedure in this section contains a list of test equipment and accessories required to perform the procedure. Each test setup identifies test equipment and accessories by call-outs.

5-6. Minimum specifications for test equipment used in the adjustment procedures are detailed in Table 1-2. Because the Model 8660C is an extremely accurate instrument, minimum specifications in Table 1-2 are particularly important in performing these adjustment procedures.

5-7. ADJUSTMENT AIDS

5-8. The HP 11672A Service Kit is an accessory item available from Hewlett-Packard for use in maintaining the Model 8660C Synthesized Signal Generator. Table 1-2 contains a detailed description of the Service Kit. Any item in the kit may be ordered separately.

5-9. FACTORY SELECTED COMPONENTS

5-10. Some component values are selected at the time of final checkout at the factory. Usually these values are not extremely critical; they are selected to provide optimum compatibility with associated components.

5-11. Factory selected components and suggested range of values are listed in Table 5-1.

5-12. The recommended procedure for replacing a factory selected component is as follows:

a. Try the original value, then perform the test specified in Section V of this manual for the circuit being repaired.

b. If the specified test cannot be satisfactorily performed, try the typical value shown in the parts list and repeat the test.

c. If the test results are still not satisfactory, substitute various values within the tolerances specified in Table 5-1 until the desired result is achieved.

5-13. RELATED ADJUSTMENTS

5-14. Most of the adjustments within any given phase lock loop are interrelated. This is especially true in digital-to-analog converters. Adjustments should be made in the order in which they appear for any given loop.

5-15. Generally, it will not be necessary to adjust any of the phase lock loops except the one in which the component failure occurred. An exception to this will be when adjustment to any phase lock loop has been attempted while the reference section is not functioning properly.

5-16. ADJUSTMENT LOCATIONS

5-17. Adjustment locations are identified pictorially on Section VIII foldout service sheets referred to in the individual procedures and in Figures listed in the individual procedures.

5-18. CHECKS AND ADJUSTMENTS

5-19. Data taken while following the adjustment procedures should be recorded in spaces provided. This information may then be used as reference in later tests.

Table 5-1. Factory Selected Components (1 of 2)

Designation	Location	Purpose	Range of Values	
A4A2C11	Reference Loop	A variable 10 MHz signal (at -45 dB) is connected in parallel with the 10 MHz reference signal to A4J5. The frequency is varied to show the 3 dB points. The capacitor is selected for the reference loop 3 dB bandwidth of 60 to 160 kHz (± 30 to ± 80 kHz) measured at the 100 MHz output.	38 to 72 pF	
A4A4L12	Reference Loop	To control output level of 100 MHz	0.34 to 1.0 μ H	
A4A4R29	Reference VCO and Divider	To compensate for variations in the 100 MHz reference output level. Selected for an output level of +11 to +13 dBm into a 50 ohm load at the output of A4A8.	42.2 to 196 ohms	
A4A5R38, 40, and 42 (50 ohm pad)	HF VCO	To compensate for variations in the 350/450 MHz output level. Selected for a level of +10 to +13 dBm.	See Note 1	
A4A5R37, 39, and 41 (50 ohm pad)	HF Loop	To compensate for variation in the 350/450 MHz output level to the ϕ detector. Selected for a level of +10 to +12 dBm.	See Note 1	
A4A6R18	HF Loop	To center range of associated potentiometer	100 to 200 ohms	
A4A6R19	HF Loop	To center the travel of A4A6R20 Profile Adjust	287 to 422 ohms	
A4A6R2	HF Loop	To center range of associated potentiometer	60 to 250 ohms	
A4A6R33	HF Loop		100 to 300 ohms	
A4A6R38	HF Loop		100 to 500 ohms	
A4A6R43	HF Loop		200 to 700 ohms	
A4A6R47	HF Loop		200 to 900 ohms	
A4A6R51	HF Loop		500 to 1500 ohms	
A4A6R55	HF Loop		1.2K to 3.1K	
A4A6R59	HF Loop		2K to 7K	
A4A4Q7	Reference Loop		To optimize performance of 500 MHz tuned amplifier	
A4A4Q8	Reference Loop		To optimize performance of 100 MHz tuned amplifier	
A8R18	N3 Oscillator	To aid in balancing Summing loop for Varactor tuning	19.6K to 25K	
A8R25	N3 Oscillator		4K to 6K	
A13R60	N2 VCO	To compensate for variations in the Varactor diode by reducing phase error output of the N2 assembly. Selected for an output at A2TP10 ϕ monitor of 0.000 ± 0.350 Vdc.	68 to 120K ohms	
A19R55	SL1 Oscillator	To set the SL1 Oscillator output between -3 & -5 dBm.	681 to 1470 ohms	
A4A4C10	Reference VCO	To set reference loop bandwidth and capture range. Interacts with A4A2C11.	15 to 56 pF	

Table 5-1. Factory Selected Components (2 of 2)

Designation	Location	Purpose	Range of Values					
A4A6C6	HF Loop	To ensure tuning range sufficient to trap the 10 MHz signal.	16 to 24 pF					
A4A5C7, C8, C13, C14, C19, C20	HF Loop VCO	If one or more of the amplifiers in the 340 to 450 MHz tuned amplifier stages are overdriven, a one half frequency harmonic spur will track the output signal. Reduce the drive to the overdriven stage by decreasing the value of the appropriate capacitor. After selecting a capacitor, be sure there is sufficient output to drive the amplifier.	7.5 to 24 pF					
Note 1. Range of values		2 dB	3 dB	4 dB	5 dB	6 dB	7 dB	8 dB
R37, R38 (R41, R42)		422	287	315	178	147	133	115
R39 (R40)		12.1	17.8	23.7	28.7	34.8	46.4	51.1

NOTE

a. In the following tests it is assumed that at the start of the test the output frequency is set to 0.

b. An RF Section output plug-in section must be in place during the tests.

c. A Modulator Section or an Auxiliary Section must be in place in the modulator compartment.

d. All tests in which a counter is used should be made with the Model 8660C and the counter referenced to the same source. The Model 8660C internal reference may be used as the source.

5-20. SAFETY CONSIDERATIONS

5-21. Although this instrument has been designed in accordance with international safety standards, this manual contains information and warnings, which must be followed to ensure safe operation and to retain the instrument in a safe condition (see Section II). Service and adjustments should be performed only by qualified service personnel.

WARNING

Any interruption of the protective (grounding) conductor inside or outside the instrument or disconnection of the protective earth terminal is likely to make the apparatus dangerous. Intentional interruption is prohibited.

5.22. Any adjustment, maintenance, and repair of the opened instrument under voltage should be avoided as much as possible and, when inevitable, should be carried out only by a skilled person who is aware of the hazards involved. The opening of covers or removal of parts may expose live parts, and also accessible terminals may be live.

5-23. Capacitors inside the instrument may still be charged even if the instrument has been disconnected from its source of supply.

5-24. Make sure that only fuses with the required rated current and of the specified type (normal blow, time delay, etc.) are used for replacement. The use of repaired fuses and the short-circuiting of fuseholders must be avoided.

5-25. Whenever it is likely that the protection has been impaired, the instrument must be made inoperative and be secured against any unintended operation.

NOTE

When repairs or adjustments to the instrument are required, such work should not be performed, even by a skilled technician, unless another person is in the same general area. This is not to be interpreted to mean that two persons are required to perform the necessary work, but only that another person should be available, should the need for assistance arise.

ADJUSTMENTS

5-26. POWER SUPPLY

REFERENCE:

Service Sheet 41

DESCRIPTION:

The power supplies in the Model 8660C provide regulated outputs of +20V, +5.25V, -10V and -40V. Unregulated supplies provide +30V, +21V, +4V and -21V. These checks verify proper operation of the power supply.

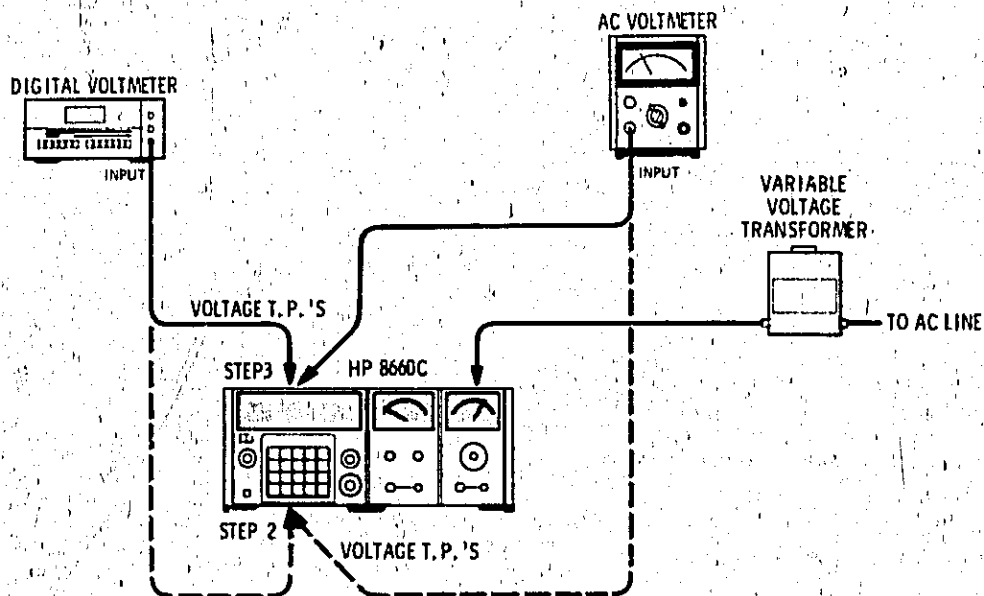


Figure 5-1. Power Supply Test Setup

TEST EQUIPMENT:

Digital Voltmeter	HP 3465A
AC Voltmeter	HP 400F
Variable Voltage Transformer	General Radio W5MT3A

PROCEDURE:

1. Remove the top and bottom covers of the Model 8660C and connect the instrument to the ac line through the variable voltage transformer.
2. Use the digital voltmeter and the ac microvoltmeter to check voltages, tolerances and ripple at A20 test points specified in Table 5-2. Adjust the variable voltage transformer to check tolerance of the power supplies at $\pm 10\%$ line voltage variations.
3. Use the digital voltmeter and the ac microvoltmeter to check for voltages, tolerances and 120 Hz ripple at A5 test points specified in Table 5-3. Adjust the dc levels shown in Table 5-3 with controls specified in Table 5-3, then adjust the variable voltage transformer to check tolerance of the power supplies at $\pm 10\%$ of the normal line voltage.

ADJUSTMENTS

5-26. POWER SUPPLY (Cont'd)

Table 5-2. Unregulated Power Supplies

Test Location	Voltage at normal line	Tolerance high to low line (from normal line)	120 Hz Ripple (at normal line)
+ side of A20C7	Typical +3.67V	Specified $\pm 0.6V$	Typical .31Vrms
	Actual _____	Actual _____	Actual _____
+ side of A20C4	Typical +21V	Specified $\pm 2.4V$	Typical 1.1 Vrms
	Actual _____	Actual _____	Actual _____
- side of A20C5	Typical -21V	Specified $\pm 2.4V$	Typical 1.15 Vrms
	Actual _____	Actual _____	Actual _____
+ side of A20C1	Typical +33V	Specified $\pm 4V$	Typical 1.0 Vrms
	Actual _____	Actual _____	Actual _____

Table 5-3. Regulated Power Supplies

Test Point	Adjust Control	Voltage at Normal Line Specified	Tolerance High to Low Line Specified	RMS Ripple 120 Hz (Normal Line)
A5TP4	A5R24	+5.25V	± 20 mV	125 μ V
	+5.25 ADJ	Actual _____	Actual _____	Actual _____
A5TP2	A5R26	-10.0V	± 5 mV	50 μ V
	-10 ADJ	Actual _____	Actual _____	Actual _____
A5TP3	A5R21	+20.0V	± 10 mV	50 μ V
	+20 ADJ	Actual _____	Actual _____	Actual _____
A5TP1	A5R28	-40.0V	± 20 mV	50 μ V
	-40 ADJ	Actual _____	Actual _____	Actual _____

ADJUSTMENTS

5-27. REFERENCE SECTION

REFERENCE:

Service Sheets 2 and 3.

DESCRIPTION:

The reference section contains a voltage controlled master oscillator from which all RF signals generated in the Model 8660C mainframe are derived. The master oscillator is phase locked to an internal temperature controlled crystal oscillator or to an external standard. The reference section provides outputs of 500 MHz, 100 MHz, 20 MHz, 10 MHz, 2 MHz, 400 kHz and 100 kHz. These checks verify proper operation of the circuits within the reference section.

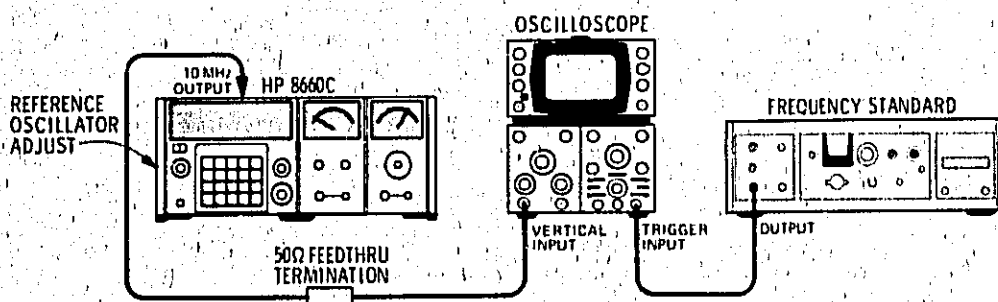


Figure 5-2. Reference Accuracy Adjustment Test Setup

EQUIPMENT:

Frequency Standard	HP 5065A
Oscilloscope (with 10:1 divider probes)	HP 180A/1801A/1821A
Spectrum Analyzer	HP 140/8554B/8552
Frequency Counter	HP 5328A Option 030
50 Ohm Feedthru Termination	HP 11048C

PROCEDURE:

1. Internal Reference Accuracy Adjustment (see Figure 5-2). (Allow adequate warmup time.)
 - a. Use the signal source to trigger the oscilloscope at the SYNC INPUT and connect the reference output from the Model 8660C rear panel reference output to the oscilloscope vertical input.
 - b. Observe the 10 MHz sine wave on the oscilloscope and adjust the A21 oscillator until the oscilloscope display stops drifting.
 - c. Set the oscilloscope to sweep at 0.1 μ Sec/Division and the sweep magnifier to X10. If drift is observed readjust the A21 oscillator.

ADJUSTMENTS

5-27. REFERENCE SECTION (Cont'd)

NOTE

When the oscilloscope display drift is less than 1 division in 10 seconds the Model 8660 reference oscillator is set within 1 part in 10^9 of the signal source.

2. 100 MHz Output Adjustment.

- a. Connect the frequency counter to the 100 MHz output on the A4A4 assembly (see Figure 5-3).
- b. If the internal reference is being used, place the rear panel INT/EXT switch in the EXT position to open the 100 MHz phase lock loop. (If an external reference is being used, disconnect the source.)
- c. Allow at least 15 minutes warmup time for the oscillator to stabilize and adjust A4A4C2 for a counter readout of $100.000 \text{ MHz} \pm 20 \text{ kHz}$. Disconnect the frequency counter.

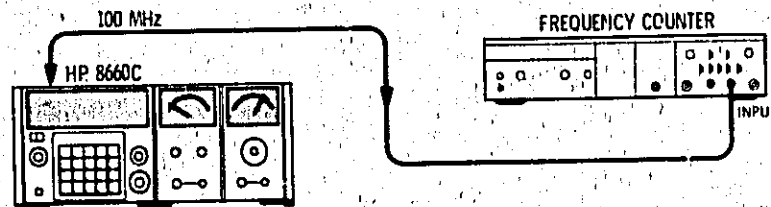


Figure 5-3. 100 MHz Adjustment Test Setup

- d. Connect the Spectrum Analyzer RF INPUT to the 100 MHz output of the A4A4 assembly and tune the Spectrum Analyzer CENTER FREQUENCY to 100 MHz. The 100 MHz signal should be $>+10 \text{ dBm}$ (see Figures 5-4 and 5-5).

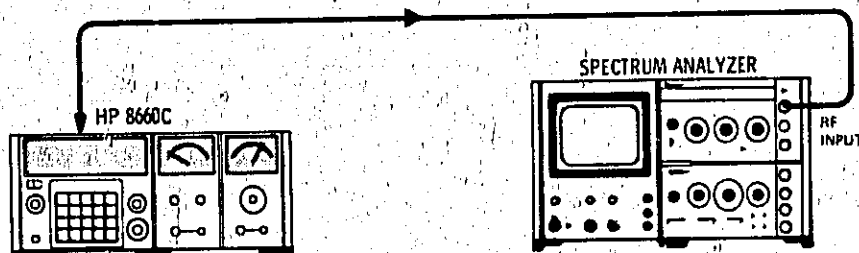
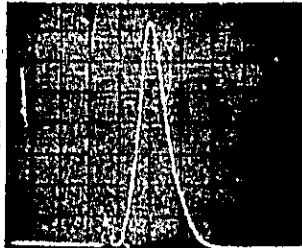


Figure 5-4. RF Level Checks Test Setup

ADJUSTMENTS

5-27. REFERENCE SECTION (Cont'd)

TYPICAL WAVEFORM

*Figure 5-5. RF Level Checks Typical Waveform.*

- e. Disconnect the Spectrum Analyzer and enable the 100 MHz phase lock loop by returning the INT/EXT switch to INT or by reconnecting the external standard.

NOTE

Steps f through p need to be performed only if the 100 MHz output signal is low or if the total harmonic distortion in the FM mode is >1%.

- f. Use a standard flatblade screwdriver to loosen the fastener which locks the A4 assembly in place. Rotate A4 up and to the right until it locks into position.
- g. Disconnect W6 and A23W9 from the A4A8 100 MHz Band-pass Filter Assembly. Connect W6 to A23W9.

ADJUSTMENTS

5-27. REFERENCE SECTION (Cont'd)

h. Set the Synthesized Signal Generator controls for a center frequency of 100 MHz at +10 dBm.

i. Set the spectrum analyzer controls as follows:

Center Frequency	100 MHz
Frequency Span Per Division	5 MHz
Resolution Bandwidth	100 kHz
Input Attenuation	20 dB
Vertical Sensitivity Per Division	10 dB
Reference Level	+10 dBm
Sweep Time Per Division	2 ms

j. Connect the equipment as shown in Figure 5-6. If necessary, readjust the analyzer controls to center the 100 MHz signal on the display.

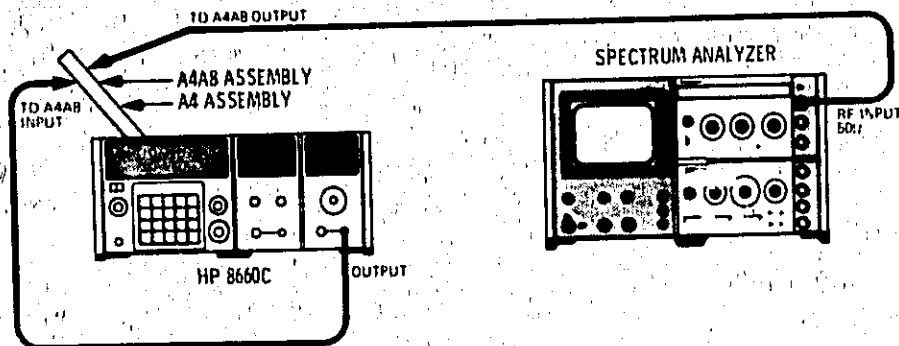


Figure 5-6. 100 MHz Band-pass Filter Adjustment Test Setup

k. With a non-conducting alignment tool, adjust A4A8C1 and C2 for peak output at 100 MHz.

l. Set the spectrum analyzer vertical sensitivity to 2 dB per division or linear.

ADJUSTMENTS

5-27. REFERENCE SECTION (Cont'd)

- m. Set the Synthesized Signal Generator sweep width to 50 MHz.
- n. Verify that the flatness is 3 dB for a bandwidth of >4 MHz.
- o. Check that the insertion loss is ≤ 1 dB. Bypass the 100 MHz Band-pass Filter and measure the output directly from the signal source. Compare the direct signal with the signal level through the filter. To achieve the 1 dB maximum insertion loss, flatness may be compromised slightly.
- p. Reconnect W6 to the A4A8 Assembly. Monitor the 100 MHz output level of the A4A8 Assembly with the RF Voltmeter (into 50Ω).
- q. Adjust A4C41 for the maximum output level. Verify that the level is between +11 and +13 dBm.
- r. If the level is incorrect, change A4R29 to a lower value (42.2Ω minimum) and peak the output level. Continue until one output level is 12 ± 1 dBm.
- s. Reconnect A23W9 to the output of the A4A8 Assembly. Unlock A4 and return it to the original position. Lock A4 into place.

3. 500 MHz Output Adjustment

- a. Connect the Spectrum Analyzer RF INPUT to the 500 MHz output connector on the A4A4 assembly and tune the analyzer to 500 MHz. Set the analyzer scan width to 50 MHz per division and other analyzer controls for a clear display (see Figure 5-5).
- b. Adjust A4A4C17, A4A4C23 and A4A4C31 for a peak amplitude of the 500 MHz signal. The 500 MHz signal amplitude should be $> +3$ dBm. The 400 MHz signal observed at the 500 MHz output is typically < -10 dBm. The 600 MHz signal observed at the 500 MHz output is typically < -20 dBm. Disconnect the analyzer.

500 MHz dBm _____
 400 MHz dBm _____
 600 MHz dBm _____

ADJUSTMENTS

5-27. REFERENCE SECTION (Cont'd)

4. 20 MHz Output Check

- a. Connect the Spectrum Analyzer RF INPUT to the 20 MHz output on the A4A4 assembly and tune the analyzer to 20 MHz. The 20 MHz signal should be >-6 dBm and <-2 dBm. Disconnect the analyzer.

20 MHz _____ dBm

5. Reference Section Outputs Not Previously Checked

- a. Check the outputs listed in Table 5-4 for the levels shown (see Figure 5-7).

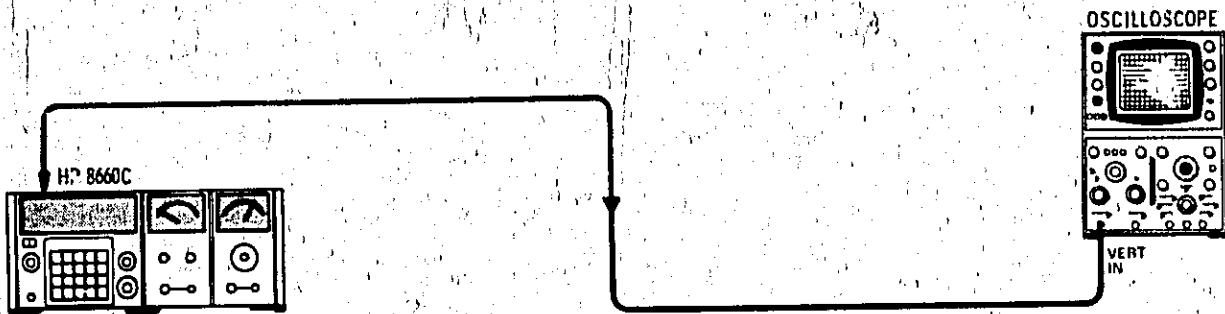


Figure 5-7. Oscilloscope Level Checks Test Setup

Table 5-4. Reference Section Output Levels

Test Point	Frequency	Specified Level	Actual Level
A4J6	10 MHz	>1 Vp-p	_____
A4J1	2 MHz	>2.2 Vp-p	_____
A4J3	400 kHz	>2.2 Vp-p <5.0 V	_____
A4J2	100 kHz	>2.2 Vp-p <5.0 V	_____
A4J4	100 kHz	>2.2 Vp-p <5.0 V	_____

ADJUSTMENTS

5-28. 10 MHz BANDPASS FILTER ADJUSTMENT (AFTER REPAIR)

NOTE

It is necessary to remove this assembly from the mainframe in order to perform the adjustments. Therefore, this adjustment is to be performed ONLY if the Reference Assembly is repaired.

DESCRIPTION:

The 700 Hz sidebands are set at least 20 dB down from the 10 MHz reference oscillator signal.

TEST EQUIPMENT:

Synthesizer	HP 8660 or HP 3320B
RF Voltmeter	HP 3400A
BNC Tee	UG 274B/U
50-ohm Termination	HP 11593A

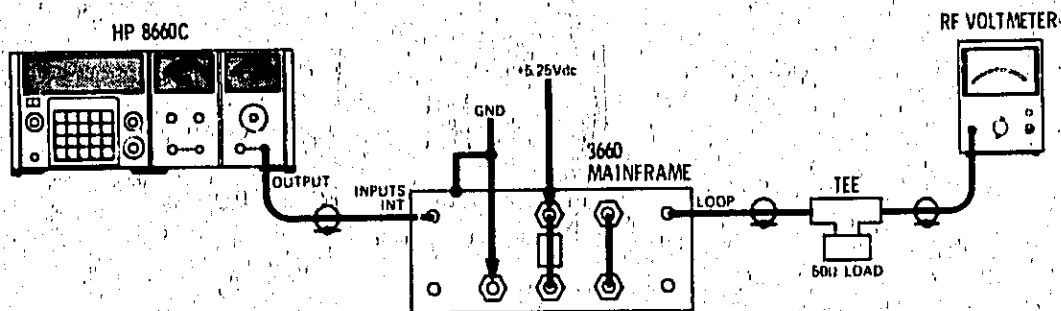


Figure 5-8. A22A1 Adjustment Test Setup (After Repair)

PROCEDURE:

1. Connect equipment as shown in Figure 5-8. +5.25 Vdc must be connected to the junction of the inductor and feedthrough capacitor. The ground return must be connected to the chassis and the feedthrough capacitor.
2. Release and rotate the A4 assembly up and out of the chassis. Locate A21 output cable J1 (white) and disconnect from reference oscillator A21. Connect external synthesizer to cable. Set Reference Synthesizer to 10.000000 MHz, +13 dBm.
3. Set the unit under test reference switch to INTERNAL.
4. Adjust A22A1C3 for maximum RF Voltmeter reading (use a non-metallic adjustment tool).
5. Adjust A22A1R2 for an RF Voltmeter reading of 270 mVrms.
6. Set the Reference Synthesizer to 10.000700 MHz, record RF Voltmeter reading in dBm.
7. Set the Reference Synthesizer to 0.999300 MHz; record RF Voltmeter reading in dBm.
8. Establish the higher of the power levels in steps 6 and 7 as a reference. Reset the REference Synthesizer to 10.000000 MHz. Adjust A22A1R6 for a voltmeter reading 20 dB above the reference.

ADJUSTMENTS

5-28. 10 MHz BANDPASS FILTER ADJUSTMENT (AFTER REPAIR) (Cont'd)

Example: Reference level -18 dBm
 +20 dBm
 + 2 dBm

9. Reinstall the A22 Assembly.
10. Perform the adjustments found in paragraph 5-29.

5-29. 10 MHz BANDPASS FILTER ADJUSTMENT

NOTE

It is recommended that this procedure, along with the Reference Section procedure, be performed at least every six months.

DESCRIPTION:

The A22A1 sub-assembly is adjusted to the internal 10 MHz reference frequency. The assembly level is adjusted for 270 mV into 50 ohms.

TEST EQUIPMENT:

RF Voltmeter	HP 3400A
BNC Tee	UG 274B/U
50 ohm Termination	HP 11593A

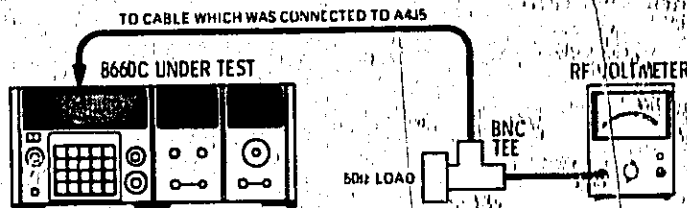


Figure 5-9. A22A1 Adjustment Test Setup

PROCEDURE:

1. Perform Test Procedure 5-27.
2. Remove 8660 left side and top covers. Turn power ON and allow 8660 to operate for 2 hours to ensure reference stability. Set INT/EXT Reference switch to INT.
3. Remove 10 MHz Reference input cable from A4J5. Connect the cable to the RF Voltmeter as shown in Figure 5-9.
4. Adjust A22A1C3 (using a non-metallic tool) accessible through hole in A22 assembly for maximum reading on the RF Voltmeter.
5. Adjust A22A1R2 (accessible through a hole in the A22 assembly) for an RF Voltmeter reading of 270 mVrms.
6. Reconnect the Reference Input cable to A4J5.

ADJUSTMENTS

5-30. HIGH FREQUENCY SECTION

REFERENCE:

Service Sheets 4, 5, and 6.

DESCRIPTION:

The High Frequency Section contains a voltage controlled oscillator which provides eleven discrete output frequencies from 350 to 450 MHz in 10 MHz steps. The output of the voltage controlled oscillator is phase locked to a 10 MHz reference derived from the master oscillator in the reference section. The output from the HF section is used in the RF Section plug-in or in the internal frequency extension plug-in module. These checks verify proper operation of the High Frequency Section circuits.

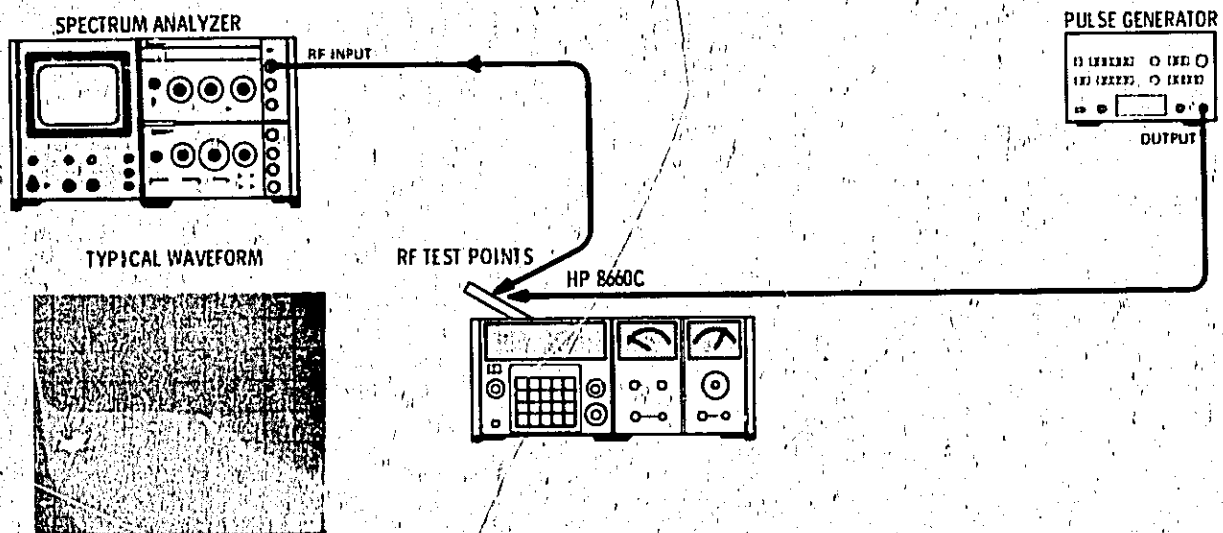


Figure 5-10. Phase Detector Response Adjustment Test Setup

TEST EQUIPMENT:

Frequency Counter	HP 5328A Option 030
Digital Voltmeter	HP 3465A
Pulse Generator	HP 8011A
Spectrum Analyzer	HP 140/8554B/8552/8553
Oscilloscope (with 10:1 divider probes)	HP 180A/1801A/1821A
Signal Generator/Sweeper	HP 8601A

ADJUSTMENTS

5-30. HIGH FREQUENCY SECTION (Cont'd)

PROCEDURE:

1. Phase Detector Response Adjustments (see Figure 5-10).
 - a. Disconnect the coaxial cable from VCO INPUT A4J11. Connect the PULSE OUTPUT of the Pulse Generator to A4J11. Set the Pulse Generator for 100 kHz pulse rate, 0.035 μ Sec pulse width, 0.5 volt amplitude and + polarity.
 - b. Connect the Spectrum Analyzer RF INPUT to the "phase error" signal at A4TP1 outside A4A6. Set the analyzer controls as follows:

CENTER FREQUENCY	5 MHz
SCAN WIDTH PER DIVISION	1 MHz
SCAN TIME PER DIVISION	1 ms
Gain and Attenuation	as required
 - c. Adjust EFFiciency control A4A7R18 for a flat response to approximately 5 MHz with very slight peaking (1 dB \pm 1 dB). See the waveform in Figure 5-10 for typical response.
 - d. Disconnect the Pulse Generator and the Spectrum Analyzer.
2. Balance Adjustment
 - a. Connect the digital voltmeter to "phase error" TP.
 - b. Adjust the BALance control (A4A7R22) for a reading of 0 volts \pm .05 volt. Disconnect the digital voltmeter.
3. Voltage Controlled Oscillator Adjustment (see Figure 5-11).
 - a. Remove the A4A6 cover. With the output cable of the A4A5 assembly disconnected from the VCO OUTPUT (A4J10), connect the Digital Voltmeter to the A4A6 FREQUENCY control output (white/black/violet lead).
 - b. Adjust the A4A6 "0" control (A4A6R13) for a Digital Voltmeter reading of -34 volts (voltage should be adjustable from about -33 to -35 volts).
 - c. Connect the Frequency Counter to the A4A5 voltage controlled oscillator output, A4J12. Replace the A4A6 assembly cover.

ADJUSTMENTS

5-30. HIGH FREQUENCY SECTION (Cont'd)

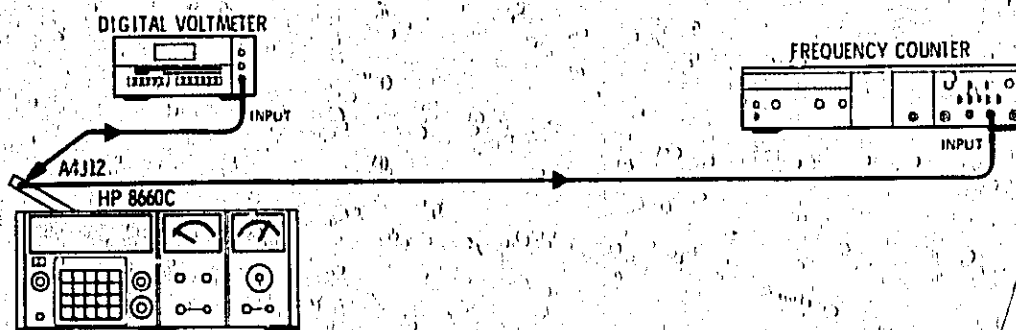


Figure 5-11. Voltage Controlled Oscillator Adjustments Test Setup

- d. The Counter should display $450 \text{ MHz} \pm 1 \text{ MHz}$. If the correct reading is obtained proceed to step f. If the frequency reading is not correct, proceed to step e.
- e. Adjust A4A5C3 for a $450 \text{ MHz} \pm 1 \text{ MHz}$ reading.
- f. Disconnect the frequency counter and reconnect the voltage controlled oscillator output to the phase detector.
- g. Connect the digital voltmeter to the "phase error" TP. Connect the frequency counter to A4J12 (350 - 450 MHz OUTPUT, white-yellow cable).
- h. Set the center frequencies as shown in Table 5-5 and set the digital to analog controls on the A4A6 assembly for 0 ± 0.1 volt for each frequency listed. Note that the counter displays the output frequency listed for each center frequency setting.

NOTE

When the 86602 or 86603 is installed in the mainframe the 350 MHz output of the High Frequency Section is not used. When this situation exists, the adjustment procedure for A4A6R15 "10" is not valid and the following procedure should be substituted:

1. Ground the collector for A4A6Q1.
2. Adjust A4A6R15 "10" for 350 MHz.
3. Remove the ground from the collector of A4A6Q1.

ADJUSTMENTS

5-30. HIGH FREQUENCY SECTION (Cont'd)

Table 5-5. Pretune Adjustments

Center Frequency	Adjust Control	Counter Readout
0 MHz	A4A6R13 "0"	450.000000 MHz
10 MHz	A4A6R60 "1"	440.000000 MHz
20 MHz	A4A6R56 "2"	430.000000 MHz
30 MHz	A4A6R52 "3"	420.000000 MHz
40 MHz	A4A6R48 "4"	410.000000 MHz
50 MHz	A4A6R44 "5"	400.000000 MHz
60 MHz	A4A6R40 "6"	390.000000 MHz
70 MHz	A4A6R35 "7"	380.000000 MHz
80 MHz	A4A6R28 "8"	370.000000 MHz
90 MHz	A4A6R22 "9"	360.000000 MHz
100 MHz	A4A6R15 "10"	350.000000 MHz

NOTE

The adjustments shown in Table 5-5 should be made with the counter time base connected to the synthesizer REFERENCE OUTPUT.

i. If any of the controls listed in Table 5-5 cannot be adjusted to 0 volts, adjust A4A6R20 "profile" to obtain additional range. Repeat all pretune adjustments until satisfactory results are obtained. Disconnect the digital voltmeter and the frequency counter.

4. Loop Gain Adjustment (see Figure 5-12).

a. With the center frequency set to 0 MHz connect the Spectrum Analyzer RF INPUT to A4J12 (350 – 450 MHz OUTPUT) and set the analyzer controls as follows:

CENTER FREQUENCY 450 MHz
 BANDWIDTH 30 kHz
 SCAN WIDTH PER DIVISION 0.5 MHz
 SCAN TIME PER DIVISION 5 ms

b. Disconnect the reference input to A4J13 and reconnect it together with the RF output of the Signal Generator/Sweeper.

c. Set the Signal Generator/Sweeper to 11.5 MHz CW at -35 dBm and symmetrical sweep width to 3 MHz. The analyzer display should be approximately as shown in the typical waveform shown in Figure 5-12. Adjust the A4A6 GAIN control (A4A6R2) for the response shown.

d. Disconnect the Analyzer and the Generator/Sweeper. Reconnect the reference signal to A4J13.

ADJUSTMENTS

5-30. HIGH FREQUENCY SECTION (Cont'd)

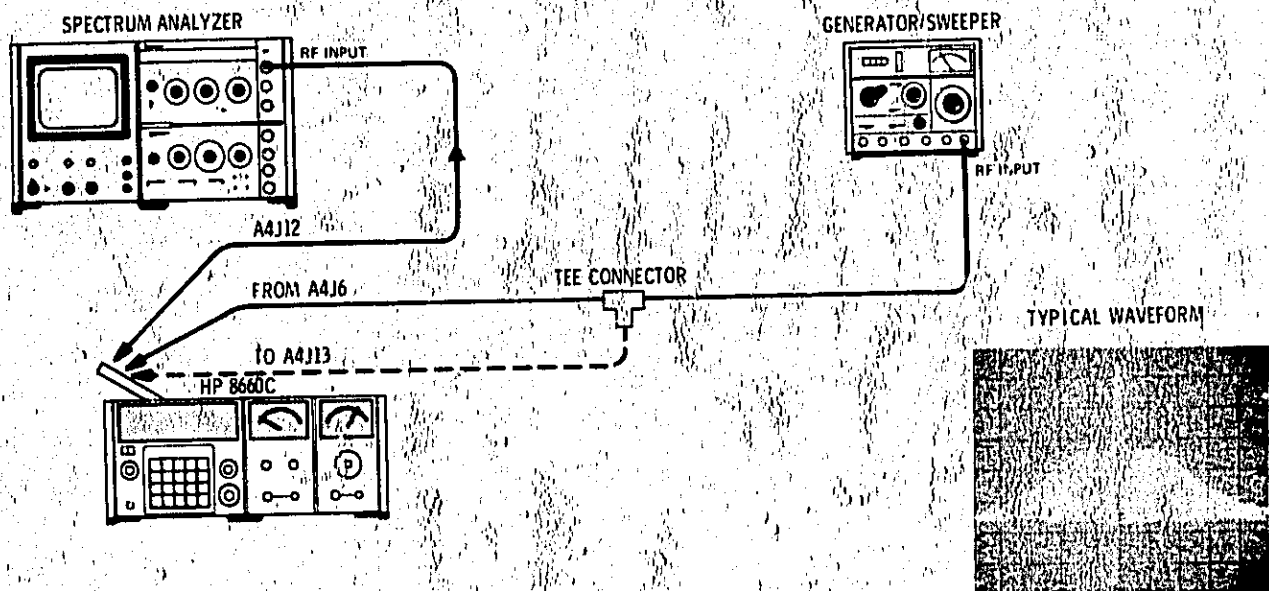


Figure 5-12. Loop Gain Adjustment Test Setup

5. 10 MHz Trap Adjustment (see Figure 5-13).

NOTE

This adjustment is necessary only if the A4A6 10 MHz trap has been repaired.

- Disconnect the coaxial cable from A4J10 (350/450 MHz to \emptyset detector).
- Disconnect the 10 MHz reference signal from A4J13 and reconnect it using a TEE connector. Connect the 10 MHz reference signal from the other TEE port to the \emptyset input of the A4A6 assembly (white wire from the A4A7 assembly).
- Connect the Spectrum Analyzer RF INPUT to the A4A6 FREQUENCY control output (white-black-violet wire). Set the analyzer controls as follows:

CENTER FREQUENCY	10 MHz
BANDWIDTH	30 kHz
SCAN WIDTH PER DIVISION	200 kHz
VIDEO FILTER	OFF
INPUT ATTENUATION	0 dB
SCAN TIME PER DIVISION	1 Msec
REF LEVEL	-30 dBm

- Adjust A4A6C5 trap for minimum 10 MHz amplitude.

ADJUSTMENTS

5-30. HIGH FREQUENCY SECTION (Cont'd)

- e. Reconnect ϕ input to A4A6.
- f. Replace all High Frequency Section Covers.

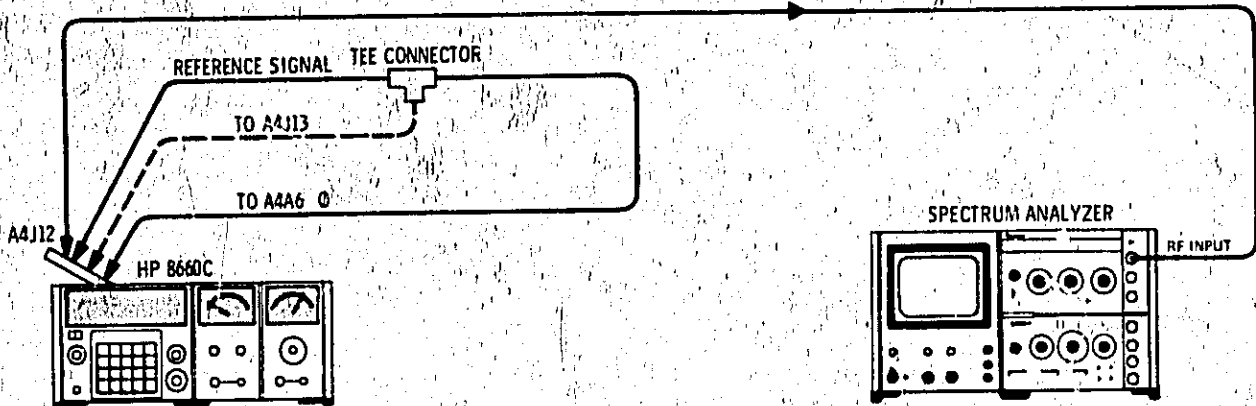


Figure 5-13. 10 MHz Trap Adjustment Test Setup

6. Output Frequency and Amplitude Check (see Figure 5-14).

- a. Set the 8660C CF to 6 MHz.
- b. Connect the Spectrum Analyzer RF INPUT to A4J12. Set the analyzer controls as required to view the 450 MHz signal. The output should be +13 dBm to +15 dBm. To increase or decrease output, change resistors A4A5R38, R40, R42. See Table 5-1 for suggested sets of values.
- c. Switch digits 9 and 8 from 00 through 10. The frequency should decrease in 10 MHz steps (amplitude at +13 dBm minimum).

440 MHz _____ dBm	430 MHz _____ dBm	420 MHz _____ dBm
410 MHz _____ dBm	400 MHz _____ dBm	390 MHz _____ dBm
380 MHz _____ dBm	370 MHz _____ dBm	360 MHz _____ dBm
350 MHz _____ dBm		

ADJUSTMENTS

5-30. HIGH FREQUENCY SECTION (Cont'd)

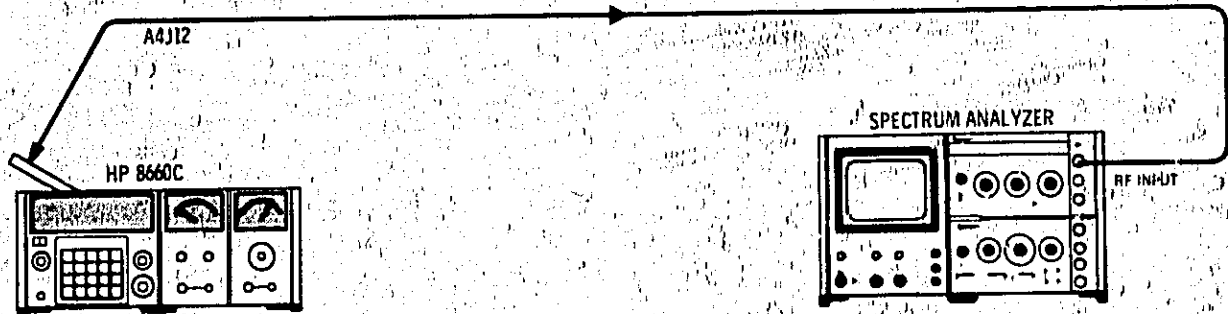


Figure 5-14. Output Amplitude Check Test Setup

5-31. N1 PHASE LOCK LOOP

REFERENCE:

Service Sheets 7 and 8.

DESCRIPTION:

The N1 phase lock loop produces digitally controlled RF signals from 19.8 to 29.7 MHz in 100 kHz steps. The output frequency is selected by digits 6 and 7. These checks verify proper operation of the loop circuits.

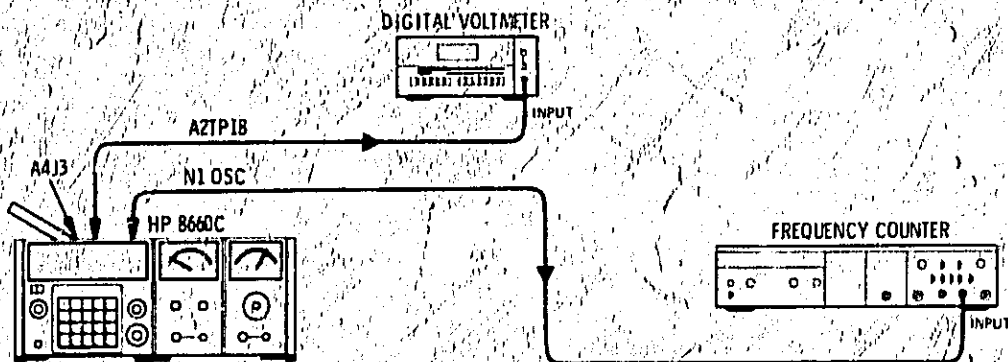


Figure 5-15. N1 Loop Test Setup

ADJUSTMENTS

5-31. N1 PHASE LOCK LOOP (Cont'd)

TEST EQUIPMENT:

Digital Voltmeter
Frequency Counter

HP 3465A
HP 5328A Option 030

PROCEDURE: (see Figure 5-15).

1. Enter 0 MHz center frequency and ground motherboard test point A2TP16 with one of the jumper plugs provided. Connect the digital voltmeter to A2TP18.
2. Adjust A17R31 or A17R28 for a voltmeter reading of -30 volts and disconnect the digital voltmeter.
3. Connect the frequency counter to the N1 oscillator output on the A2 mother board and adjust A17C17 for a counter reading as close as possible to 29.7 MHz (must be within ± 200 kHz).
4. Enter 500 kHz center frequency and adjust A17R28 or A17R31 for a counter reading of 29.2 MHz.
5. Enter 9.5 MHz center frequency and record the counter readout.
MHz _____
6. Determine the frequency difference between the readout for step 5 and 20.2 MHz and record.
MHz _____
7. Enter 500 kHz center frequency.
 - a. If the reading in step 5 was higher than 20.2 MHz adjust A17R28 for a counter readout of 29.2 MHz plus the difference frequency recorded in step 6.
 - b. If the reading in step 5 was lower than 20.2 MHz adjust A17R28 for a counter readout of 29.2 MHz minus the difference frequency recorded in step 6.
8. Adjust A17R31 for an output frequency readout of 29.2 MHz.
9. Repeat steps 5 through 8 until the counter readout is 29.2 MHz ± 20 kHz for a 500 kHz center frequency and 20.2 MHz ± 20 kHz for a 9.5 MHz center frequency.
10. Remove the ground jumper from A2TP16.
11. Disconnect the 400 kHz reference signal by disconnecting the cable from A4J3 and connect the digital voltmeter to A2TP17. Adjust A16R38 for a digital voltmeter readout of 0V ± 10 mV. Reconnect the 400 kHz reference signal.
12. Enter center frequencies shown in Table 5-6. The counter readings should be as shown in the table.

ADJUSTMENTS

5-31. N1 PHASE LOCK LOOP (Cont'd)

Table 5-6. N1 Loop Output Frequency Checks

Center Frequency	Counter Readout
0	29.700000 MHz
1.1 MHz	28.600000 MHz
2.2 MHz	27.500000 MHz
3.3 MHz	26.400000 MHz
4.4 MHz	25.300000 MHz
5.5 MHz	24.200000 MHz
6.6 MHz	23.100000 MHz
7.7 MHz	22.000000 MHz
8.8 MHz	20.900000 MHz
9.9 MHz	19.800000 MHz

NOTE

The adjustments shown in Table 5-6 should be made with the counter time base connected to the synthesizer REFERENCE OUTPUT.

5-32. N2 PHASE LOCK LOOP

NOTE

Option 004 instruments use a different N2 programmable divider designated as N2a. In the following procedure the frequencies shown in parenthesis apply to N2a.

REFERENCE:

Service Sheets 9 and 10.

DESCRIPTION:

The N2 phase lock loop produces controlled RF signals from 19.80 to 29.79 MHz in 10 kHz increments. The output frequency selected by the 100 Hz, 1 kHz and 10 kHz steps. These checks verify proper operation of the loop circuits.

ADJUSTMENTS

5-32. N2 PHASE LOCK LOOP (Cont'd)

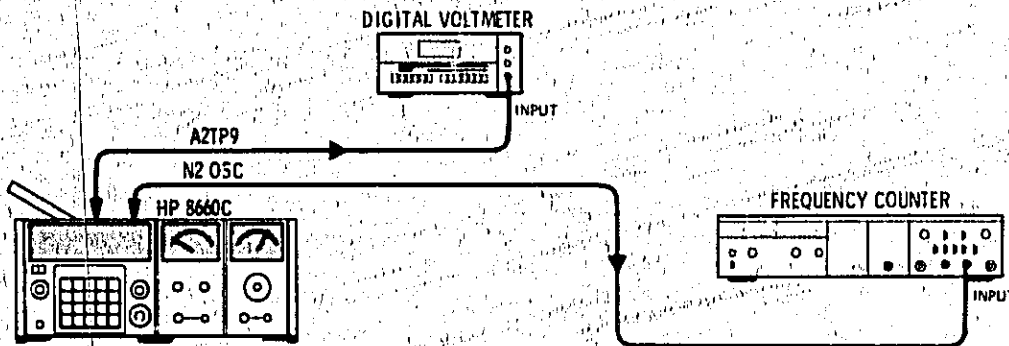


Figure 5-16. N2 Loop Test Setup

TEST EQUIPMENT:

Digital Voltmeter	HP 3465A
Frequency Counter	HP 5328A Option 030

PROCEDURE: (see Figure 5-16).

1. Set the center frequency to 0 MHz and ground A2TP12 on the mother board with one of the jumper plugs provided.
2. Connect the digital voltmeter to A2TP9 and adjust A13R37 or A13R39 to -30 volts. Disconnect the digital voltmeter.
3. Connect the frequency counter to the N2 oscillator output at XA13-1-4. Adjust A13C19 for a counter reading as close as possible to 29.79 MHz (N2a 30.00 MHz) must be within ± 200 kHz.
4. Set the center frequency to 5.5 kHz. Adjust A13R37 or A13R39 for an output frequency reading of 29.240 MHz. (N2a 29.450 MHz.)
5. Set the center frequency to 95.5 kHz and record the counter readout:

MHz _____

6. Determine the frequency difference between step 5 and 20.240 MHz (N2a 20.450 MHz) and record:

MHz _____

7. Set the center frequency to 5.5 kHz.
 - a. If the reading in step 5 was more than 20.240 MHz (N2a 20.45 MHz) adjust A13R39 to 29.240 MHz (N2a 29.45 MHz) plus the difference frequency recorded in step 6.

ADJUSTMENTS

5-32. N2 PHASE LOCK LOOP (Cont'd)

- b. If the reading in step 5 was less than 20.240 MHz (N2a 20.45 MHz) adjust A13R39 to 29.240 MHz (N2a 29.45 MHz) minus the difference frequency recorded in step 6.
8. Adjust A13R37 for an output frequency of 29.240 MHz (N2a 29.45 MHz).
 9. Repeat steps 4 through 7 until the counter readout is 29.240 MHz (N2a 29.45 MHz) \pm 20 kHz for a center frequency of 5.5 kHz and 20.240 MHz (N2a 20.45 MHz) \pm 20 kHz for a center frequency of 95.5 kHz.
 10. Remove the ground from A2TP12.
 11. Set center frequency as shown in Table 5-7. The counter readings should be as shown in the table.

Table 5-7. N2 Oscillator Output Frequency Checks

Center Frequency	Counter Readout N2	Counter Readout N2a
0	29.790000 MHz	30.000000 MHz
11.1 kHz	28.680000 MHz	28.890000 MHz
22.2 kHz	27.570000 MHz	27.780000 MHz
33.3 kHz	26.460000 MHz	26.670000 MHz
44.4 kHz	25.350000 MHz	25.560000 MHz
55.5 kHz	24.240000 MHz	24.450000 MHz
66.6 kHz	23.130000 MHz	23.340000 MHz
77.7 kHz	22.020000 MHz	22.230000 MHz
88.8 kHz	20.910000 MHz	21.120000 MHz
99.9 kHz	19.800000 MHz	20.010000 MHz

5-33. N3 PHASE LOCK LOOP

NOTE

Option 004 instruments do not include the N3 loop.

ADJUSTMENTS

5-33. N3 PHASE LOCK LOOP (Cont'd)

REFERENCE:

Service Sheets 11 and 12.

DESCRIPTION:

The N3 phase lock loop produces digitally controlled RF signals from 2.001 to 2.100 MHz in 1 kHz increments. The output frequency is selected by 1 Hz and 10 Hz steps. These checks verify proper operation of the loop circuits.

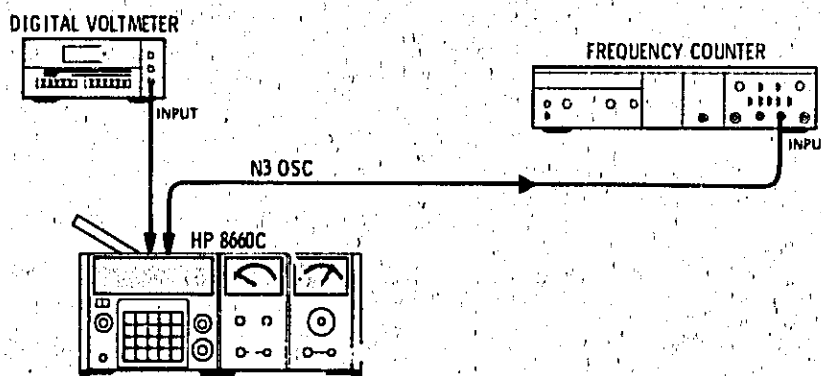


Figure 5-17. N3 Loop Test Setup

TEST EQUIPMENT:

Digital Voltmeter	HP 3465A
Frequency Counter	HP 5328A Option 03C

PROCEDURE: (see Figure 5-17).

1. Set center frequency to 0 MHz and ground A2TP4 on the mother board with one of the jumper plugs provided.
2. Connect the counter to the N3 oscillator output at XA8-1-4 on the mother board. Adjust A8R26 or A8R24 for a counter readout of 2.100 MHz.
3. Set the center frequency to 5 Hz. Adjust A8R24 for a counter reading of 2.095 MHz. (must be within ± 20 kHz.)
4. Set the center frequency to 95 Hz, and record the frequency displayed on the counter.

MHz _____

5. Determine the frequency difference between that recorded in step 4 and 2.005 MHz and record.

MHz _____

ADJUSTMENTS

5-33. N3 PHASE LOCK LOOP (Cont'd)

6. Set the center frequency to 5 Hz.
 - a. If the reading in step 4 was less than 2.005 MHz adjust A8R24 to 2.095 MHz minus the frequency difference recorded in step 5.
 - b. If the reading in step 4 was more than 2.005 MHz adjust A8R24 to 2.095 MHz plus the frequency difference recorded in step 5.
7. Adjust A8R26 for an output frequency of 2.095 MHz.
8. Repeat steps 3 through 6 until the counter readout is 2.095 MHz \pm 20 kHz for a 5 Hz center frequency, and 2.005 MHz \pm 20 kHz for a 95 Hz center frequency.
9. Remove the ground from A2TP4.
10. Set center frequencies as shown in Table 5-8. The counter readings should be as shown in the table.

Table 5-8. N3 Oscillator Output Frequency Checks

Center Frequency	Counter Readout
0 Hz	2.100000 MHz
11 Hz	2.0890000 MHz
22 Hz	2.0780000 MHz
33 Hz	2.0670000 MHz
44 Hz	2.0560000 MHz
55 Hz	2.0450000 MHz
66 Hz	2.0340000 MHz
77 Hz	2.0230000 MHz
88 Hz	2.0120000 MHz
99 Hz	2.0010000 MHz

5-34. SUMMING LOOP 2 (SL2)

NOTE

Option 004 instruments do not include SL2.

ADJUSTMENTS

5-34. SUMMING LOOP 2 (SL2) (Cont'd)

REFERENCE:

Service Sheets 13 and 14.

DESCRIPTION:

SL2 is a phase lock loop that provides a digitally controlled RF output to Summing Loop 1. This output, which is from 20.0001 to 30.000 MHz in 100 Hz steps, is controlled by 100 Hz, 1 kHz and 10 kHz steps, it is also indirectly controlled by 1 Hz and 10 Hz steps. These checks verify proper operation of the loop circuits.

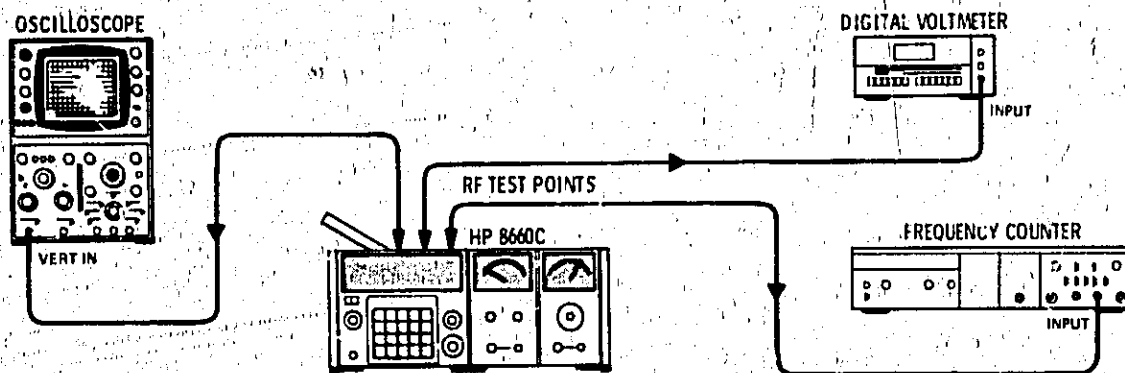


Figure 5-18. SL1 and SL2 Test Setup

TEST EQUIPMENT:

Digital Voltmeter	HP 3465A
Frequency Counter	HP 5328A Option 030
Oscilloscope (with 10:1 divider probes)	HP 180A/1801A/1821A

PROCEDURE: (see Figure 5-18).

1. Set center frequency to 55.5 kHz.
 - a. With the digital voltmeter connected to A2TP8, adjust A11R15 or A11R19 to 0.00 ± 10 millivolts.
 - b. With the oscilloscope connected to A2TP7 adjust A12R37 for 50/50 symmetry.
 - c. Disconnect the digital voltmeter and the oscilloscope.
2. Connect the digital voltmeter to varactor test point A2TP5, ground mother board test point A2TP8 with a clip lead, and set center frequency to 0 MHz.

ADJUSTMENTS

CON'T

ADJUSTMENTS

5-34. SUMMING LOOP 2 (SL2) (Cont'd)

- a. Adjust A11R15 or A11R19 to read about -30 volts on the digital voltmeter and then disconnect the digital voltmeter.
- b. Connect the counter to test point A2TP6 and adjust A11C17 for a counter readout as close to 30 MHz as possible (must be within ± 300 kHz).
3. Set center frequency to 4.5 kHz. Adjust A11R15 or A11R19 for a counter reading of 29.550 MHz.
4. Set center frequency to 94.5 kHz. Record the output at A2TP6 as read on the counter.
MHz _____
5. Determine the difference frequency between that recorded in step 4 and 20.5500 MHz and record.
MHz _____
- a. Set center frequency to 4.5 kHz.
- b. If the frequency readout in step 4 was higher than 20.5500 MHz adjust A11R15 to 29.550 MHz plus the difference frequency determined in step 5.
- c. If the frequency readout in step 4 was lower than 20.5500 MHz adjust A11R15 to 29.550 MHz minus the difference frequency determined in step 5.
6. Reset the frequency to 29.550 MHz with A11R19.
7. Repeat steps 3, 4, 5 and 6 until the counter indicates $20.550 \text{ MHz} \pm 20 \text{ kHz}$ for a center frequency of 94.5 kHz and $29.550 \text{ MHz} \pm 20 \text{ kHz}$ for a center frequency of 4.5 kHz.
8. Set center frequency as shown in Table 5-9. Adjust the controls listed for counter readouts shown.

Table 5-9. SL2 Oscillator Output Frequency Adjustments

Center Frequency	Adjust	Counter Readout
84.5 kHz	A11R39 "8"	21.55 MHz \pm 20 kHz
74.5 kHz	A11R54 "7"	22.55 MHz \pm 20 kHz
64.5 kHz	A11R60 "6"	23.55 MHz \pm 20 kHz
54.5 kHz	A11R67 "5"	24.55 MHz \pm 20 kHz
44.5 kHz	A11R73 "4"	25.55 MHz \pm 20 kHz
34.5 kHz	A11R77 "3"	26.55 MHz \pm 20 kHz
24.5 kHz	A11R83 "2"	27.55 MHz \pm 20 kHz
14.5 kHz	A11R90 "1"	28.55 MHz \pm 20 kHz

ADJUSTMENTS

5-34. SUMMING LOOP 2 (SL2) (Cont'd)

9. Disconnect the counter, remove the ground from A2TP8 and connect the oscilloscope to A2TP7.
10. Set center frequencies as shown in Table 5-9 and adjust the associated potentiometers for 50/50 symmetry as seen on the oscilloscope (all must be within 40/60).

5-35. SUMMING LOOP 1 (SL1)

REFERENCE:

Service Sheets 15, 16 and 17.

DESCRIPTION:

SL1 is a phase lock loop that provides a digitally controlled RF output to the RF Section plug-in. This output, which is from 20.000001 to 30.000000 MHz in 1 Hz steps is pretuned by 1 MHz, 100 kHz and 10 kHz steps and is also indirectly controlled by 1 kHz to 1 Hz steps. These checks verify proper operation of the loop circuits.

NOTE

In Option 004 instruments the SL1 output is 100 Hz steps.

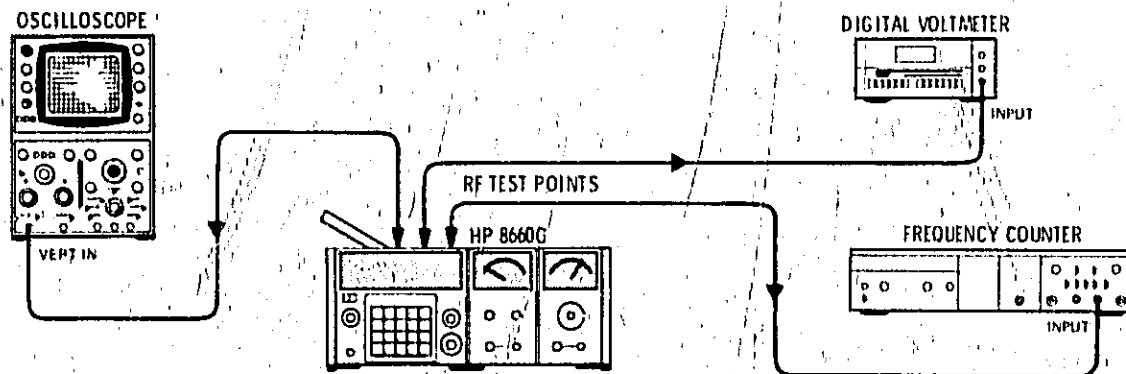


Figure 5-19. SL1 Test Setup

TEST EQUIPMENT:

Digital Voltmeter	HP 3465A
Frequency Counter	HP 5328A Option 030
Oscilloscope (with 10:1 divider probes)	HP 180A/1801A/1821A

ADJUSTMENTS

5-35. SUMMING LOOP 1 (SL1) (Cont'd)

PROCEDURE: (See Figure 5-19).

1. Set center frequency to 0.55 MHz.
 - a. With the digital voltmeter connected to A2TP14, adjust A19R3 or A19R9 to 0.00 volt \pm 10 millivolts.
 - b. With the oscilloscope connected to A2TP13, adjust A15R14 for 50/50 symmetry.
 - c. Disconnect the digital voltmeter and the oscilloscope.
2. Connect the digital voltmeter to varactor test point A2TP21, ground mother board test point A2TP14 with the jumper provided, and set center frequency to 0.
 - a. Adjust A19R3 or A19R9 to about -30 volts and disconnect the digital voltmeter.
 - b. Connect the counter to SL1 OSC at XA19-1-2 and adjust A19C18 for a counter readout as close as possible to 30 MHz (must be within \pm 300 kHz).
3. Set center frequency to 450 kHz. Adjust A19R3 or A19R9 for a counter reading of 29.550 MHz.
4. Set center frequency to 9.45 MHz. Record frequency of output at SL1 OSC at XA19-1-2.
MHz _____
5. Determine the difference frequency between that recorded in step 4 and 20.550 MHz and record:
MHz _____
 - a. Set center frequency to 450 kHz.
 - b. If the frequency readout in step 4 was higher than 20.550 MHz adjust A19R3 to 29.550 MHz plus the difference frequency recorded in step 5.
 - c. If the frequency readout in step 4 was lower than 20.550 MHz adjust A19R3 to 29.550 MHz minus the difference recorded in step 5.
6. Reset the frequency to 29.550 MHz with A19R9.
7. Repeat steps 3 through 6 until the counter indicates 20.550 MHz \pm 20 kHz for a center frequency of 9.45 MHz and 29.550 MHz \pm 20 kHz for a center frequency setting of 450 kHz.
8. Set center frequency as shown in Table 5-10. Adjust controls listed for counter readouts shown.
9. Disconnect the counter, remove the ground from A2TP14 and connect the oscilloscope to A2TP13.
10. Set center frequencies as shown in Table 5-10 and adjust the controls listed for 50/50 symmetry as seen on the oscilloscope. Disconnect the oscilloscope. (All settings must be within 40/60 symmetry.)

ADJUSTMENTS

5-35. SUMMING LOOP 1 (SL1) (Cont'd)

Table 5-10. SL1 Oscillator Output Frequency Adjustments

Center Frequency	Adjust	Counter Readout
8.45 MHz	A18R35 "8"	21.550 MHz \pm 20 kHz
7.45 MHz	A18R40 "7"	22.550 MHz \pm 20 kHz
6.45 MHz	A18R44 "6"	23.550 MHz \pm 20 kHz
5.45 MHz	A18R51 "5"	24.550 MHz \pm 20 kHz
4.45 MHz	A18R55 "4"	25.550 MHz \pm 20 kHz
3.45 MHz	A18R62 "3"	26.550 MHz \pm 20 kHz
2.45 MHz	A18R67 "2"	27.550 MHz \pm 20 kHz
1.45 MHz	A18R74 "1"	28.550 MHz \pm 20 kHz

5-36. DCU SWEEP OUTPUT

REFERENCE:

Service Sheet 18.

DESCRIPTION:

The Model 8660C sweep output may be used to drive the horizontal sweep of an oscilloscope while the RF output is used to determine the characteristics of a device being tested. This procedure provides information required to properly adjust the sweep ramp.

TEST EQUIPMENT:

Digital Voltmeter HP 3480B/3482

1. Remove the top and bottom covers from the 8660C. Remove the four DCU retaining screws (one at each corner inside).
2. With the 8660C inverted, gently slide the DCU out of the mainframe to the extent of connecting cables and connect the DVM to the 0 to +8V output.
3. Enter 1.000500 MHz center frequency and 1 kHz sweep width.
4. Set to manual sweep.
5. Using the MANUAL SWEEP control set frequencies shown in Table 5-11 and make the indicated adjustments. All adjustments must be ± 1 millivolt.

ADJUSTMENTS

5-36. DCU SWEEP OUTPUT (Cont'd)

Table 5-11. Adjustments

Step	Frequency	Adjust
1	1.000799	Note DVM output reading typical 6.392V R29 for an output 8 mV greater than above reading is typically 6.4V
2	1.000800	
3	1.000999	R11 for an output of 7.992V
4	1.000000	R28 for an output of 0.000V Repeat steps 1 through 4
5	1.001000	R30 for an output of 8.000V

Table 5-12. Frequency Versus Exact Output Levels

Frequency	Output Level
1.000000 MHz	0.000V
1.000799 MHz	6.392V
1.000800 MHz	6.400V
1.000999 MHz	7.992V
1.001000 MHz	8.000V
Nominal step size - 8 mV/Hz	

PARTS LIST

SECTION VI REPLACEABLE PARTS

6-1. INTRODUCTION

6-2. This section contains information for ordering parts. Table 6-2 lists abbreviations used in the parts list and throughout the manual. Table 6-3 lists all replaceable parts in reference designator order. Table 6-4 contains the names and addresses that correspond to the manufacturer's code numbers.

6-3. EXCHANGE ASSEMBLIES

6-4. Exchange assemblies are no longer available for the Model 8660C.

6-5. ABBREVIATIONS

6-6. Table 6-2 lists abbreviations used in the parts list, schematics and throughout the manual. In some cases, two forms of the abbreviation are used, one all in capital letters, and one partial or no capitals. This occurs because the abbreviations in the parts list are always all capitals. However, in the schematics and other parts of the manual, other abbreviation forms are used with both lower case and upper case letters.

6-7. REPLACEABLE PARTS LIST

6-8. Table 6-3 is the list of replaceable parts and is organized as follows:

- a. Electrical assemblies and their components in alpha-numerical order by reference designation.
- b. Chassis-mounted parts in alpha-numerical order by reference designation.
- c. Miscellaneous parts.

6-9. The information given for each part consists of the following:

- a. The Hewlett-Packard part number.
- b. Part number check digit (CD).
- c. The total quantity (Qty) in the instrument.
- d. The description of the part.

e. A typical manufacturer of the part in a five-digit code.

f. The manufacturer's number for the part.

6-10. The total quantity for each part is given only once--at the first appearance of the part number in the list.

NOTE

Total quantities for optional assemblies are totaled by assembly and not integrated into the standard list.

6-11. ORDERING INFORMATION

6-12. To order a part listed in the replaceable parts table, quote the Hewlett-Packard part number (with the check digit), indicate the quantity required, and address the order to the nearest Hewlett-Packard office (see note below). The check digit will ensure accurate and timely processing of your order.

6-13. To order a part that is not listed in the replaceable parts table, include the instrument model number, instrument serial number, the description and function of the part, and the number of parts required. Address the order to the nearest Hewlett-Packard office.

NOTE

Within the USA, it is better to order directly from the HP Parts Center in Mt. View, California. Ask your nearest HP office for information and forms for the "Direct Mail Order System".

6-14. SPARE PARTS KIT

6-15. Stocking spare parts for an instrument is often done to insure quick return to service after a malfunction occurs. Hewlett-Packard has a "Spare Parts Kit" available for this purpose. The kit consists of selected replaceable assemblies and components for this instrument. The contents of the kit and the "Recommended Spares" list are

based on failure reports and repair data, and parts support for one year. A complimentary "Recommended Spares" list for this instrument may be obtained on request and the "Spare Parts Kit" may be ordered through your nearest Hewlett-Packard office.

6-16. ILLUSTRATED PARTS BREAKDOWNS

6-17. Figure 6-1 provides a breakdown of Cabinet Parts. The parts are not identified by part

numbers or descriptions. These parts are identified by MP (miscellaneous part) numbers which are further identified in Table 6-3 of this section.

6-18. Figure 6-2 provides a breakdown of DCU front panel parts. The parts are identified by MP numbers or assembly numbers which are further identified in Table 6-3 of this section.

Table 6-1. Reference Designations

A assembly	E miscellaneous electrical part	P electrical connector (movable portion); plug	U integrated circuit; microcircuit
AT attenuator; isolator; termination	F fuse	Q transistor; SCR; triode thyristor	V electron tube
B fan; motor	FL filter	R resistor	VR voltage regulator; breakdown diode
BT battery	H hardware	RT thermistor	W cable; transmission path; wire
C capacitor	HY circulator	S switch	X socket
CP coupler	J electrical connector (stationary portion); jack	T transformer	Y crystal unit (piezoelectric or quartz)
CR diode; diode thyristor; varactor	K relay	TR terminal board	Z tuned cavity; tuned circuit
DC directional coupler	L coil; inductor	TC thermocouple	
DL delay line	M meter	TP test point	
DS annunciator; signaling device (audible or visual); lamp; LED	MP miscellaneous mechanical part		

Table 6-2. Abbreviations (1 of 2)

A ampere	COEF coefficient	EDP electronic data processing	INT internal
ac alternating current	COM common	ELECT electrolytic	kg kilogram
ACCESS accessory	COMP composition	ENCAP encapsulated	kHz kilohertz
ADJ adjustment	COMPL complete	EXT external	k Ω kilohm
A/D analog-to-digital	CONN connector	F farad	kV kilovolt
AF audio frequency	CP cadmium plate	FET field-effect transistor	lb pound
AFC automatic frequency control	CRT cathode-ray tube	F/F flip-flop	LC inductance-capacitance
AGC automatic gain control	CTL complementary transistor logic	FH flat head	LED light-emitting diode
AL aluminum	CW continuous wave	FIL H filament head	LF low frequency
ALC automatic level control	cm centimeter	FM frequency modulation	LG long
AM amplitude modulation	D/A digital-to-analog	FP front panel	LH left hand
AMPL amplifier	dB decibel	FREQ frequency	LIM limit
APC automatic phase control	dBm decibel referred to 1 mW	FXD fixed	LIN linear taper (used in parts list)
ASSY assembly	dc direct current	g gram	lin linear
AUX auxiliary	deg degree (temperature interval or difference)	GE germanium	LK WASH lock washer
avg average	° degree (plane angle)	GHz gigahertz	LO low; local oscillator
AWG American wire gauge	°C degree Celsius (centigrade)	GL glass	LOG logarithmic taper (used in parts list)
BAL balance	°F degree Fahrenheit	GRD ground(ed)	log logarithm(ic)
BCD binary coded decimal	°K degree Kelvin	H henry	LPF low pass filter
BD board	DEPC deposited carbon	h hour	LV low voltage
BE CU beryllium copper	DET detector	HET heterodyne	m meter (distance)
BFO beat frequency oscillator	diam diameter	HEX hexagonal	mA milliamperes
BH binder head	DIA diameter (used in parts list)	HD head	MAX maximum
BKDN breakdown	DIFF AMPL differential amplifier	HDW hardware	M Ω megohm
BP bandpass	div division	HF high frequency	MEG meg (10 ⁶) (used in parts list)
BPF bandpass filter	DPDT double-pole, double-throw	HG mercury	MET FLM metal film
BRS brass	DR drive	HI high	MET OX metallic oxide
BWO backward-wave oscillator	DSB double sideband	HP Hewlett-Packard	MF medium frequency; microfarad (used in parts list)
CAL calibrate	DTL diode transistor logic	HPF high pass filter	MFR manufacturer
ccw counter-clockwise	DVM digital voltmeter	HR hour (used in parts list)	mg milligram
CER ceramic	ECL emitter coupled logic	HV high voltage	MHz megahertz
CHAN channel	EMF electromotive force	Hz Hertz	mH millihenry
cm centimeter		IC integrated circuit	mho mho
CMO cabinet mount only		ID inside diameter	MIN minimum
COAX coaxial		IF intermediate frequency	min minute (time)
		IMPG impregnated	min minute (plane angle)
		in inch	MINAT miniature
		INCD incandescent	mm millimeter
		INCL include(-)	
		INP input	
		INS insulation	

NOTE

All abbreviations in the parts list will be in upper-case.

Table 6-2. Abbreviations (2 of 2)

MOD modulator	OD outside diameter	PWV peak working voltage	TD time delay
MOM momentary	OH oval head	RC resistance-capacitance	TERM terminal
MOS metal-oxide semiconductor	OP AMPL operational amplifier	RECT rectifier	TFT thin-film transistor
ms millisecond	OPT option	REF reference	TGL toggle
MTG mounting	OSC oscillator	REG regulated	THD thread
MTT meter (indicating device)	OX oxide	REPL replaceable	THRU through
mV millivolt	oz ounce	RF radio frequency	TI titanium
mVac millivolt, ac	Ω ohm	RFI radio frequency interference	TOL tolerance
mVdc millivolt, dc	P peak (used in parts list)	RH round head; right hand	TRIM trimmer
mVpk millivolt, peak	PAM pulse-amplitude modulation	RLC resistance-inductance-capacitance	TSTR transistor
mVp-p millivolt, peak-to-peak	PC printed circuit	RMO rack mount only	TTL transistor-transistor logic
mVrms millivolt, rms	PCM pulse-code modulation; pulse-count modulation	rms root-mean-square	TV television
mW milliwatt	PDM pulse-duration modulation	RND round	TVI television interference
MUX multiplex	pF picofarad	ROM read-only memory	TWT traveling wave tube
MY mylar	PH BRZ phosphor bronze	R&P rack and panel	U micro (10^6) (used in parts list)
μ A microampere	PHL Phillips	RWV reverse working voltage	UF microfarad (used in parts list)
μ F microfarad	PIN positive-intrinsic-negative	S scattering parameter	UHF ultrahigh frequency
μ H microhenry	PIV peak inverse voltage	s second (time)	UNREG unregulated
μ ho micromho	pk peak	S-B slow-blow (fuse) (used in parts list)	V volt
μ s microsecond	PL phase lock	SCR silicon controlled rectifier; screw	VA voltampere
μ V microvolt	PLO phase lock oscillator	SE selenium	Vac volts, ac
μ Vac microvolt, ac	PM phase modulation	SECT sections	VAR variable
μ Vdc microvolt, dc	PNP positive-negative-positive	SEMICON semiconductor	VCO voltage-controlled oscillator
μ Vpk microvolt, peak	P/O part of	SHF superhigh frequency	Vdc volts, dc
μ Vp-p microvolt, peak-to-peak	POLY polystyrene	SI silicon	VDCW volts, dc, working (used in parts list)
μ Vrms microvolt, rms	PORC porcelain	SIL silver	V(F) volts, filtered
μ W microwatt	POS positive; position(s) (used in parts list)	SL slide	VFO variable-frequency oscillator
nA nanoampere	POSN position	SNR signal-to-noise ratio	VHF very-high frequency
NC no connection	POT potentiometer	SPDT single-pole, double-throw	Vpk volts, peak
N/C normally closed	p-p peak-to-peak	SPG spring	Vp-p volts, peak-to-peak
NE neon	PP peak-to-peak (used in parts list)	SR split ring	Vrms volts, rms
NEG negative	PPM pulse-position modulation	SPST single-pole, single-throw	VSWR voltage standing wave ratio
nF nanofarad	PREAMPL preamplifier	SSB single sideband	VTO voltage-tuned oscillator
NI PL nickel plate	PRF pulse-repetition frequency	SST stainless steel	VTVM vacuum-tube voltmeter
N/O normally open	PRR pulse repetition rate	STL steel	V(X) volts, switched
NOM nominal	ps picosecond	SQ square	W watt
NORM normal	PT point	SWR standing-wave ratio	W/ with
NPN negative-positive-negative	PTM pulse-time modulation	SYNC synchronize	WIV working inverse voltage
NPO negative-positive-zero (zero temperature coefficient)	PWM pulse-width modulation	T timed (slow-blow fuse)	WW wirewound
NRFR not recommended for field replacement		TA tantalum	W/O without
NSR not separately replaceable		TC temperature compensating	YIG yttrium-iron-garnet
ns nanosecond			Z ₀ characteristic impedance
nW nanowatt			
OBD order by description			

NOTE

All abbreviations in the parts list will be in upper-case.

MULTIPLIERS

Abbreviation	Prefix	Multiple
T	tera	10^{12}
G	giga	10^9
M	mega	10^6
k	kilo	10^3
da	deka	10
d	deci	10^{-1}
c	centi	10^{-2}
m	milli	10^{-3}
μ	micro	10^{-6}
n	nano	10^{-9}
p	pico	10^{-12}
f	femto	10^{-15}
u	atto	10^{-18}

Table 6-3. Replaceable Parts

Reference Designation	HP Part Number	C D	Qty	Description	Mfr Code	Mfr Part Number
A1	08660-60272	4	1	DIGITAL CONTROL ASSEMBLY	28480	08660-60272
	08660-60304	3	1	DIGITAL CONTROL ASSEMBLY(OPT 004 ONLY)	28480	08660-60304
A1C1 A1C2†	0160-344F	6	1	CAPACITOR-FXD 1000PF +-10% 1KVDC CER	28480	0160-344B
	0160-012	2	1	CAPACITOR-FXD 1UF +-20% 25VDC CER	28480	0160-0127
A1J1	1250-011B	3	1	CONNECTOR-RF BNC FEM 6CL-HOLE-FR 50-OHM	28480	1250-011B
A1L1	9100-3354	6	1	COIL-FXD 4MH @ 0.5A14V1600HZ10.4 OHM	28480	9100-3354
A1S1	3101-1655	2	1	SWITCH-RKR SUBMIN BPD1 5A 115VAC/DC PC	28480	3101-1655
A1W1	08660-60116	5	1	CABLE ASSEMBLY, SWITCH	28480	08660-60116
A1W2	08660-60117	6	1	CABLE ASSEMBLY, KEYBOARD	28480	08660-60117
A1W3	08660-60118	7	2	CABLE ASSEMBLY, READOUT	28480	08660-60118
A1W4	08660-60119	7	1	CABLE ASSEMBLY, READOUT	28480	08660-60119
A1W5	08660-60124	5	1	CABLE, D/A OUTPUT	28480	08660-60124
A1W6	08660-60126	7	1	WIRING HARNESS	28480	08660-60126
A1W6P7	1251-1017	5	1	CONNECTOR 4-PIN WINCH JF	28480	1251-1017
A1W7	08660-60129	0	1	CABLE ASSEMBLY, 4V FILTER	28480	08660-60129
				A1 MISCELLANEOUS		
	0900-0023	7	1	O-RING .239-IN-ID .07-IN-XRECT-DIA NTRL	07322	8010
	08660-00069	1	1	SHIELD, R.F. I.	28480	08660-00069
	08660-00101	2	1	SUPPORT, DIGITAL TOP	28480	08660-00101
	08660-00103	1	1	SUPPORT, DIGITAL BOTTOM	28480	08660-00103
	08660-00110	3	1	INSULATOR, INTERCONNECT	28480	08660-00110
	08660-20121	8	1	SUB-PANEL, FRONT	28480	08660-20121
	08660-20152	5	1	FRONT PANEL, KEYBOARD	28480	08660-20152
	08660-20160	5	1	RETAINER, P.C. BOARD	28480	08660-20160
	08660-20161	6	1	SPACER, ROD	28480	08660-20161
	08660-40105	0	1	FREQUENCY RANGE INDICATOR	28480	08660-40105
	08660-40100	3	1	PUSHBUTTON, READOUT	28480	08660-40100
A1A1	08660-60200	8	1	BOARD ASSEMBLY, SWITCH CONTROL (EXCEPT OPTION 004)	28480	08660-60200
A1A1	08660-60305	4	1	BOARD ASSEMBLY, SWITCH CONTROL (OPTION 004 ONLY)	28480	08660-60305
A1A1C1	0180-2206	4	1	CAPACITOR-FXD 60UF+-10% 6VDC TA	56289	150D606X90D6B2
A1A1C2	0160-3536	3	1	CAPACITOR-FXD 620PF +-5% 100VDC MICA	28480	0160-3536
A1A1C3	0180-1714	7	2	CAPACITOR-FXD 330UF+-10% 6VDC TA	56289	150D337X90D6B2
A1A1C4	0180-0197	8	50	CAPACITOR-FXD 2.2UF+-10% 20VDC TA	56289	150D225X90D2A2
A1A1C5	0180-0197	8	1	CAPACITOR-FXD 2.2UF+-10% 20VDC TA	56289	150D225X90D2A2
A1A1C6	0180-0197	8	1	CAPACITOR-FXD 2.2UF+-10% 20VDC TA	56289	150D225X90D2A2
A1A1C7	0180-0197	8	1	CAPACITOR-FXD 2.2UF+-10% 20VDC TA	56289	150D225X90D2A2
A1A1C8	0180-0197	8	1	CAPACITOR-FXD 2.2UF+-10% 20VDC TA	56289	150D225X90D2A2
A1A1C9	0180-0197	8	1	CAPACITOR-FXD 2.2UF+-10% 20VDC TA	56289	150D225X90D2A2
A1A1CR1	1901-0040	1	3	DIODE-SWITCHING 30V 50MA 2MS D0-35	28480	1901-0040
A1A1R1	0698-7253	7	4	RESISTOR 464 1% .05W F TC=0+-100	24546	C3-1/8-T0-464R-G
A1A1R2	0698-7253	1	1	RESISTOR 31.6K 1% .05W F TC=0+-100	24546	C3-1/8-T0-3162-G
A1A1R3	0698-7253	8	16	RESISTOR 5.11K 1% .05W F TC=0+-100	24546	C3-1/8-T0-5111-G
A1A1R4	0698-7253	8	1	RESISTOR 5.11K 1% .05W F TC=0+-100	24546	C3-1/8-T0-5111-G
A1A1R5	0698-7253	8	1	RESISTOR 5.11K 1% .05W F TC=0+-100	24546	C3-1/8-T0-5111-G
A1A1R6	0698-7253	8	1	RESISTOR 5.11K 1% .05W F TC=0+-100	24546	C3-1/8-T0-5111-G
A1A1R7	0698-7253	8	1	RESISTOR 5.11K 1% .05W F TC=0+-100	24546	C3-1/8-T0-5111-G
A1A1R8	0698-7253	8	1	RESISTOR 5.11K 1% .05W F TC=0+-100	24546	C3-1/8-T0-5111-G
A1A1R9	0698-7253	8	1	RESISTOR 5.11K 1% .05W F TC=0+-100	24546	C3-1/8-T0-5111-G
A1A1R10	0698-7253	8	1	RESISTOR 5.11K 1% .05W F TC=0+-100	24546	C3-1/8-T0-5111-G
A1A1R11	0698-7253	8	1	RESISTOR 5.11K 1% .05W F TC=0+-100	24546	C3-1/8-T0-5111-G
A1A1R12	0698-7253	8	1	RESISTOR 5.11K 1% .05W F TC=0+-100	24546	C3-1/8-T0-5111-G
A1A1R13	0698-7253	8	1	RESISTOR 5.11K 1% .05W F TC=0+-100	24546	C3-1/8-T0-5111-G
A1A1R14	0698-7222	1	1	RESISTOR 261 1% .05W F TC=0+-100	24546	C3-1/8-T0-261R-G
A1A1R15	0698-7220	7	1	RESISTOR 464 1% .05W F TC=0+-100	24546	C3-1/8-T0-464R-G
A1A1R16	0698-7253	8	1	RESISTOR 5.11K 1% .05W F TC=0+-100	24546	C3-1/8-T0-5111-G
A1A1R17	0698-7253	8	1	RESISTOR 5.11K 1% .05W F TC=0+-100	24546	C3-1/8-T0-5111-G
A1A1R18	0698-7253	8	1	RESISTOR 5.11K 1% .05W F TC=0+-100	24546	C3-1/8-T0-5111-G
A1A1R19	0698-7253	8	1	RESISTOR 5.11K 1% .05W F TC=0+-100	24546	C3-1/8-T0-5111-G
A1A1R20	0698-7253	8	1	RESISTOR 5.11K 1% .05W F TC=0+-100	24546	C3-1/8-T0-5111-G
A1A1R21	0698-7212	9	2	RESISTOR 100 1% .05W F TC=0+-100	24546	C3-1/8-T0-100R-G
A1A1R22	0698-7212	9	1	RESISTOR 100 1% .05W F TC=0+-100	24546	C3-1/8-T0-100R-G
A1A1R23	0698-7220	7	1	RESISTOR 464 1% .05W F TC=0+-100	24546	C3-1/8-T0-464R-G
A1A1R24	0698-7220	7	1	RESISTOR 464 1% .05W F TC=0+-100	24546	C3-1/8-T0-464R-G
A1A1R25†	0698-7249	2	1	RESISTOR 3.48K 1% .05W F TC=0+-100	24546	C3-1/8-T0-3481-G

See introduction to this section for ordering information

*Indicates factory selected value

† BACKDATING INFORMATION IN SECTION VII

Table 6-3. Replaceable Parts

Reference Designation	HP Part Number	C D	Qty	Description	Mfr Code	Mfr Part Number
A1A1TP1	0360-1514	7	15	TERMINAL-STUD SGL-PIN PRESS-MTC	20480	0360-1514
A1A1TP2	0360-1514	7		TERMINAL-STUD SGL-PIN PRESS-MTC	20480	0360-1514
A1A1U1	1820-1422	3	3	IC MV TTL LB MONDSTRL RETRIC	01295	6N74L5122N
A1A1U2	1820-0174	0	17	IC INV TTL HEX	01295	6N7404N
A1A1U3	1820-0256	9	3	IC BFR DTL NAND QUAD 2-IMP	01295	6N15858N
A1A1U4	1820-1490	5	6	IC CNTR TTL LG DECD ASYNCHRD	01295	6N74L590N
A1A1U5	1820-1490	5		IC CNTR TTL LG DECD ASYNCHRD	01295	6N74L590N
A1A1U6	1820-1490	5		IC CNTR TTL LG DECD ASYNCHRD	01295	6N74L590N
A1A1U7	1820-1490	5		IC CNTR TTL LG DECD ASYNCHRD	01295	6N74L590N
A1A1U8	1820-1490	5		IC CNTR TTL LG DECD ASYNCHRD	01295	6N74L590N
A1A1U9	1820-1490	5		IC CNTR TTL LG DECD ASYNCHRD	01295	6N74L590N
A1A1U10	1820-0054	5	37	IC GATE TTL NAND QUAD 2-IMP	01295	6N7400N
A1A1U11	1820-1574	6	5	IC FF TTL LG J-K PULSE CLEAR DUAL	01295	6N74L573AN
A1A1U12	1820-0174	0		IC INV TTL HEX	01295	6N7404N
A1A1U13	1820-0372	0	8	IC GATE TTL H AND TPL 3-IMP	01295	6N74H11N
A1A1U14	1820-1202	7	6	IC GATE TTL LG NAND TPL 3-IMP	01295	6N74L510N
A1A1U15	1820-1112	0	4	IC FF TTL LG D-TYPE POS-EDGE-TRIG	01295	6N74L574AN
A1A1U16	1820-1574	6		IC FF TTL LG J-K PULSE CLEAR DUAL	01295	6N74L573AN
A1A1U17	1820-0174	0		IC INV TTL HEX	01295	6N7404N
A1A1U18	1820-0054	5		IC GATE TTL NAND QUAD 2-IMP	01295	6N7400N
A1A1U19	1820-0374	2	1	IC GATE TTL H AND DUAL 4-IMP	01295	6N74H21N
A1A1U20	1820-0511	9	14	IC GATE TTL AND QUAD 2-IMP	01295	6N7408N
A1A1U21	1820-0077	2	5	IC FF TTL D-TYPE POS-EDGE-TRIG CLEAR	01295	6N7474N
A1A1U22	1820-1202	7		IC GATE TTL LG NAND TPL 3-IMP	01295	6N74L510N
A1A1U23	1820-1574	6		IC FF TTL LG J-K PULSE CLEAR DUAL	01295	6N74L573AN
A1A1U24	1820-0320	6	11	IC GATE TTL NOR QUAD 2-IMP	01295	6N7402N
A1A1U25	1820-0054	5		IC GATE TTL NAND QUAD 2-IMP	01295	6N7400N
A1A1U26	1820-1495	8	4	IC DCDR TTL 4-TD-16-LINE A-IMP	01295	6N74154N
A1A1U27	1820-0054	5		IC GATE TTL NAND QUAD 2-IMP	01295	6N7400N
A1A1U28	1820-1112	8		IC FF TTL LG D-TYPE POS-EDGE-TRIG	01295	6N74L574AN
A1A1U29	1820-0077	2		IC FF TTL D-TYPE POS-EDGE-TRIG CLEAR	01295	6N7474N
A1A1U30	1820-0661	0	11	IC GATE TTL OR QUAD 2-IMP	01295	6N7432N
A1A1U31	1820-0054	5		IC GATE TTL NAND QUAD 2-IMP	01295	6N7400N
A1A1U32	1820-1112	8		IC FF TTL LG D-TYPE POS-EDGE-TRIG	01295	6N74L574AN
A1A1U33	1820-0511	9		IC GATE TTL AND QUAD 2-IMP	01295	6N7408N
A1A1XA1	1200-0507	9	10	SOCKET-IC 1A-CDNT DIP-6LDR	20480	1200-0507
A1A2	08660-60176	7	1	BOARD ASSEMBLY, KEY CONTROL (EXCEPT OPTION 004)	20480	08660-60176
A1A2	08660-60161	0	1	BOARD ASSEMBLY, KEY CONTROL (OPTION 004 ONLY)	20480	08660-60161
A1A2C1	0160-0945	2	1	CAPACITOR-FXD 910PF +-5% 300VDC MICA	20480	0160-0945
A1A2C2	0160-2204	0	1	CAPACITOR-FXD 100PF +-5% 300VDC MICA	20480	0160-2204
A1A2C3	0160-0157	8	1	CAPACITOR-FXD 4700PF +-10% 200VDC POLYE	20480	0160-0157
A1A2C4	0160-0199	6	2	CAPACITOR-FXD 240PF +-5% 300VDC MICA	72136	DM15F241J03000WV1CR
A1A2C5	0180-0197	0		CAPACITOR-FXD 2.2UF+-10% 20VDC TA	56289	150D225X9020A2
A1A2C6	0180-0197	0		CAPACITOR-FXD .2UF+-10% 20VDC TA	56289	150D225X9020A2
A1A2C7	0180-0197	0		CAPACITOR-FXD .2UF+-10% 20VDC TA	56289	150D225X9020A2
A1A2C8	0180-0197	0		CAPACITOR-FXD 2.2UF+-10% 20VDC TA	56289	150D225X9020A2
A1A2C9	0180-0197	0		CAPACITOR-FXD 2.2UF+-10% 20VDC TA	56289	150D225X9020A2
A1A2C10	0180-0197	0		CAPACITOR-FXD 2.2UF+-10% 20VDC TA	56289	150D225X9020A2
A1A2C11	0180-0197	0		CAPACITOR-FXD 2.2UF+-10% 20VDC TA	56289	150D225X9020A2
A1A2C12	0160-0199	6		CAPACITOR-FXD 240PF +-5% 300VDC MICA	72136	DM15F241J03000WV1CR
A1A2C13	0160-3533	0	1	CAPACITOR-FXD 470PF +-5% 300VDC MICA (OPTION 004 ONLY)	20480	0160-3533
A1A2C14	0160-0161	4	4	CAPACITOR-FXD .01UF +-10% 200VDC POLYE	20480	0160-0161
A1A2C15	0160-0161	4		CAPACITOR-FXD .01UF +-10% 200VDC POLYE	20480	0160-0161
A1A2C16	0160-0161	4		CAPACITOR-FXD .01UF +-10% 200VDC POLYE	20480	0160-0161
A1A2C17	0180-0197	0		CAPACITOR-FXD 2.2UF+-10% 20VDC TA	56289	150D225X9020A2
A1A2Q1	1053-0020	4	2	TRANSISTOR PNP 61 PD=300MW FT=150MHZ	20480	1053-0020
A1A2R1	0757-0419	0	1	RESISTOR 601 1% .125W F TC=0+-100	24546	CA-1/B-TD-601R-F
A1A2R2	0757-0420	1	1	RESISTOR 1.62K 1% .125W F TC=0+-100	24546	CA-1/B-TD-1621-F
A1A2R3	0690-0002	7	5	RESISTOR 464 1% .125W F TC=0+-100	24546	CA-1/B-TD-4640-F
A1A2R4	0757-0280	3	7	RESISTOR 1K 1% .125W F TC=0+-100	24546	CA-1/B-TD-1001-F
A1A2R5	0690-3430	5	6	RESISTOR 21.5 1% .125W F TC=0+-100	03800	PM155-1/B-TD-21R5-F
A1A2R6	0690-3430	5		RESISTOR 21.5 1% .125W F TC=0+-100	03800	PM155-1/B-TD-21R5-F
A1A2R7	0757-0280	3		RESISTOR 1K 1% .125W F TC=0+-100	24546	CA-1/B-TD-1001-F
A1A2R8	0690-3430	5		RESISTOR 21.5 1% .125W F TC=0+-100	03800	PM155-1/B-TD-21R5-F
A1A2R9	0690-3430	5		RESISTOR 21.5 1% .125W F TC=0+-100	03800	PM155-1/B-TD-21R5-F
A1A2R10	0757-0280	3		RESISTOR 1K 1% .125W F TC=0+-100	24546	CA-1/B-TD-1001-F
A1A2R11	0757-0430	3	10	RESISTOR 5.11K 1% .125W F TC=0+-100	24546	CA-1/B-TD-5111-F
A1A2R12	0757-0395	1	1	RESISTOR 56.2 1% .125W F TC=0+-100	24546	CA-1/B-TD-56R2-F
A1A2R13	0690-3430	5		RESISTOR 21.5 1% .125W F TC=0+-100	03800	PM155-1/B-TD-21R5-F
A1A2R14	0690-3160	0	3	RESISTOR 31.6K 1% .125W F TC=0+-100	24546	CA-1/B-TD-3162-F
A1A2R15	0690-3160	0		RESISTOR 31.6K 1% .125W F TC=0+-100	24546	CA-1/B-TD-3162-F

See Introduction to this section for ordering information
 *Indicates factory selected value.

Table 6-3. Replaceable Parts

Reference Designation	HP Part Number	C D	Qty	Description	Mfr Code	Mfr Part Number	
A1A2R16	0698-3430	5	2	RESISTOR 21.5 1% .125W F TC=0+-100	03888	PME55-1/B-T0-21R5-F	
A1A2R17	0698-3159	5		RESISTOR 26.1K 1% .125W F TC=0+-100	24546	CA-1/B-T0-2612-F	
A1A2R18	0698-3159	5		RESISTOR 26.1K 1% .125W F TC=0+-100	24546	CA-1/B-T0-2612-F	
A1A2R19	0757-0438	3		RESISTOR 5.11K 1% .125W F TC=0+-100	24546	CA-1/B-T0-5111-F	
A1A2R20	0698-3132	4		RESISTOR 261 1% .125W F TC=0+-100	24546	CA-1/B-T0-2610-F	
A1A2R21	0757-0438	3	1	RESISTOR 5.11K 1% .125W F TC=0+-100	24546	CA-1/B-T0-5111-F	
A1A2R22	0757-0280	1		RESISTOR 9.09K 1% .125W F TC=0+-100	19701	MFAC1/B-T0-9091-F	
A1A2R23	0757-0280	3		RESISTOR 1K 1% .125W F TC=0+-100	24546	CA-1/B-T0-1001-F	
A1A2R24	0698-3132	4		RESISTOR 261 1% .125W F TC=0+-100	24546	CA-1/B-T0-2610-F	
A1A2R25	0698-3132	4		RESISTOR 261 1% .125W F TC=0+-100	24546	CA-1/B-T0-2610-F	
A1A2T1	0360-1514	7	7	TERMINAL-STUD GGL-PIN PRESS-MTG	28480	0360-1514	
A1A2T2	0360-1514	7		TERMINAL-STUD GGL-PIN PRESS-MTG	28480	0360-1514	
A1A2U1	1820-0174	0	10	IC INV TTL HEX	01295	6N7404M	
A1A2U2	1820-0661	0		IC GATE TTL OR QUAD 2-INP	01295	6N7432N	
A1A2U3	1820-0054	5		IC GATE TTL NAND QUAD 2-INP	01295	6N7400N	
A1A2U4	1820-0709	7		IC SNF-RCTR TTL L R-S SERIAL-IN	07263	93L28PC	
A1A2U5	1820-0659	6		IC SNF-RCTR TTL L D-TYPE PRL-IN PRL-OUT	07263	93L00PC	
A1A2U6	1820-0709	7		IC SNF-RCTR TTL L R-S SERIAL-IN	07263	93L28PC	
A1A2U7	1820-0281	0		IC FF TTL J-K M/S PULSE CLEAR DUAL	01295	6N74107M	
A1A2U8	1820-0511	7		IC GATE TTL AND QUAD 2-INP	01295	6N7400N	
A1A2U9	1820-0054	5		IC GATE TTL NAND QUAD 2-INP	01295	6N7400N	
A1A2U10	1820-0511	9		IC GATE TTL AND QUAD 2-INP	01295	6N7400N	
A1A2U11	1820-0710	0		6	IC MUXR/DATA-BEL TTL L 2-TO-1-LINE QUAD	07263	93L22PC
A1A2U12	1820-0710	0			IC MUXR/DATA-BEL TTL L 2-TO-1-LINE QUAD	07263	93L22PC
A1A2U13	1820-0659	6			IC SNF-RCTR TTL L D-TYPE PRL-IN PRL-OUT	07263	93L00PC
A1A2U14	1820-0659	6			IC SNF-RCTR TTL L D-TYPE PRL-IN PRL-OUT	07263	93L00PC
A1A2U15	1820-0710	0		IC MUXR/DATA-BEL TTL L 2-TO-1-LINE QUAD	07263	93L22PC	
A1A2U16	1820-0054	5		1	IC GATE TTL NAND QUAD 2-INP	01295	6N7400N
A1A2U17	1820-0596	0			IC FF TTL L D-TYPE POS-EDGE-TRIG	27014	DM74L74N
A1A2U18	1820-0174	0	IC INV TTL HEX		01295	6N7404M	
A1A2U19	1820-1422	3	IC MV TTL LS MONOSTBL RETRIG		01295	6N74LS122N	
A1A2U20	1826-0055	8	IC COMPARATOR CP DUAL 14-DIP-C PNC		07263	UA711DC	
A1A2U21	1820-0069	2	IC GATE TTL NAND DUAL 4-INP		01295	6N7420N	
A1A2U22	1820-0174	0	IC INV TTL HEX		01295	6N7404M	
A1A2U23	1820-0214	0	IC DCDR TTL BCD-TO-DEC 4-TO-10-LINE		01295	6N7442AM	
A1A2U24	1820-0661	9	IC GATE TTL OR QUAD 2-INP		01295	6N7432N	
A1A2U25	1820-0055	6	IC CNTR TTL DECD SYNCHRD POS-EDGE-TRIG		01295	6N7490AM	
A1A2U26	1820-0491	4	IC DCDR TTL BCD-TO-DEC 4-TO-10-LINE	01295	6N74145N		
A1A3	08660-60191	6	3	BOARD ASSEMBLY, READOUT CONTROL (EXCEPT OPTION 004)	28480	08660-60191	
A1A3	08660-60338	3		BOARD ASSEMBLY, READOUT CONTROL (OPTION 004 ONLY)	28480	08660-60338	
A1A3C1	0180-0197	8	1	CAPACITOR-FXD 2.2UF+-10% 20VDC TA	56289	150D225X9020A2	
A1A3C2	0180-0197	8		CAPACITOR-FXD 2.2UF+-10% 20VDC TA	56289	150D225X9020A2	
A1A3C3	0180-0197	8		CAPACITOR-FXD 2.2UF+-10% 20VDC TA	56289	150D225X9020A2	
A1A3C4	0180-0197	8		CAPACITOR-FXD 2.2UF+-10% 20VDC TA	56289	150D225X9020A2	
A1A3C5	0180-0197	8		CAPACITOR-FXD 2.2UF+-10% 20VDC TA	56289	150D225X9020A2	
A1A3C6	0180-0197	8		CAPACITOR-FXD 2.2UF+-10% 20VDC TA	56289	150D225X9020A2	
A1A3C7	0180-0197	8		CAPACITOR-FXD 2.2UF+-10% 20VDC TA	56289	150D225X9020A2	
A1A3C8	0180-0197	8		CAPACITOR-FXD 2.2UF+-10% 20VDC TA	56289	150D225X9020A2	
A1A3C9	0160-3534	1		CAPACITOR-FXD 510PF +-5% 100VDC MICA	28480	0160-3534	
A1A3C10	0160-0161	4		CAPACITOR-FXD .01UF +-10% 200VDC POLYE	28480	0160-0161	
A1A3C11*	0160-2208	4	2	CAPACITOR-FXD 330PF +-5% 300VDC MICA	28480	0160-2208	
A1A3C12	0140-0196	3		CAPACITOR-FXD 150PF +-5% 300VDC MICA	72136	DM15F151J0300MVICR	
A1A3R1	0698-3447	4	11	RESISTOR 422 1% .125W F TC=0+-100	24546	CA-1/B-T0-422R-F	
A1A3R2	0698-3447	4		RESISTOR 422 1% .125W F TC=0+-100	24546	CA-1/B-T0-422R-F	
A1A3R3	0698-3447	4		RESISTOR 422 1% .125W F TC=0+-100	24546	CA-1/B-T0-422R-F	
A1A3R4	0698-3447	4		RESISTOR 422 1% .125W F TC=0+-100	24546	CA-1/B-T0-422R-F	
A1A3R5	0698-3447	4		RESISTOR 422 1% .125W F TC=0+-100	24546	CA-1/B-T0-422R-F	
A1A3R6	0698-3447	4		RESISTOR 422 1% .125W F TC=0+-100	24546	CA-1/B-T0-422R-F	
A1A3R7	0698-3447	4		RESISTOR 422 1% .125W F TC=0+-100	24546	CA-1/B-T0-422R-F	
A1A3R8	0698-3447	4		RESISTOR 422 1% .125W F TC=0+-100	24546	CA-1/B-T0-422R-F	
A1A3R9	0698-3447	4		RESISTOR 422 1% .125W F TC=0+-100	24546	CA-1/B-T0-422R-F	
A1A3R10	0698-3447	4		RESISTOR 422 1% .125W F TC=0+-100	24546	CA-1/B-T0-422R-F	
A1A3R11†	0698-3160	8	2	RESISTOR 31.6K 1% .125W F TC=0+-100	24546	CA-1/B-T0-3162-F	
A1A3R12	0757-0401	0		RESISTOR 100 1% .125W F TC=0+-100	24546	CA-1/B-T0-101-F	
A1A3R13	0698-3447	4		RESISTOR 422 1% .125W F TC=0+-100	24546	CA-1/B-T0-422R-F	
A1A3R14	0757-0346	2		RESISTOR 10 1% .125W F TC=0+-100	24546	CA-1/B-T0-10R0-F	
A1A3R15	0757-0346	2		RESISTOR 10 1% .125W F TC=0+-100	24546	CA-1/B-T0-10R0-F	
A1A3U1	1820-0661	0	1	IC GATE TTL OR QUAD 2-INP	01295	6N7432N	
A1A3U2				NOT ASSIGNED			
A1A3U3	1820-0725	7		IC TTL 16-BIT RAM STAT 45-NS 0-C	01295	6N74170J	
A1A3U4	1820-0054	5		IC GATE TTL NAND QUAD 2-INP	01295	6N7400N	
A1A3U5	1820-0054	5		IC GATE TTL NAND QUAD 2-INP	01295	6N7400N	

See introduction to this section for ordering information
 *Indicates factory selected value
 † BACKDATING INFORMATION IN SECTION VII

Table 6-3. Replaceable Parts

Reference Designation	HP Part Number	C D	Qty	Description	Mfr Code	Mfr Part Number
A1A3U6	1820-0174	U		IC INV TTL HEX	01295	6N7404N
A1A3U7	1820-0214	9		IC DCDR TTL BCD-TO-DEC 4-TO-10-LINE	01295	6N7442AM
A1A3U8	1820-0659	6		IC SHF-RCTR TTL D-TYPE PRL-IN PRL-OUT	07263	93L00PC
A1A3U9	1820-0054	5		IC GATE TTL NAND QUAD 2-IMP	01295	6N7400N
A1A3U10	1820-1422	3		IC MV TTL LS MONOSTBL RETRIC	01295	6N74L6122N
A1A3U11	1820-0704	4	1	IC CMPTR TTL L MAGTD 5-BIT NOT ASSIGNED	07263	93L24PC
A1A3U12						
A1A3U13	1820-0328	6		IC GATE TTL NOR QUAD 2-IMP	01295	6N7402N
A1A3U14	1820-1112	8		IC FF TTL LS D-TYPE POS-EDGE-TRIC	01295	6N74L674AN
A1A3U15	1820-0054	5		IC GATE TTL NAND QUAD 2-IMP	01295	6N7400N
A1A3U16	1820-0054	5		IC GATE TTL NAND QUAD 2-IMP	01295	6N7400N
A1A3U17	1820-0718	0		IC MUXR/DATA-SEL TTL L 2-TO-1-LINE QUAD	07263	93L22PC
A1A3U18	1820-0372	0		IC GATE TTL H AND TPL 3-IMP	01295	6N74H11N
A1A3U19	1820-0328	6		IC GATE TTL NOR QUAD 2-IMP	01295	6N7402N
A1A3U20	1820-0055	6		IC CNTR TTL DECD SYNCHRD POS-EDGE-TRIC	01295	6N7490AN
A1A3U21	1820-0661	0		IC GATE TTL OR QUAD 2-IMP	01295	6N7432N
A1A3U22	1820-0372	0		IC GATE TTL H AND TPL 3-IMP	01295	6N74H11N
A1A3U23	1820-0661	0		IC GATE TTL OR QUAD 2-IMP	01295	6N7432N
A1A3U24	1820-0174	0		IC INV TTL HEX	01295	6N7404N
A1A3U25	1820-0511	9		IC GATE TTL AND QUAD 2-IMP	01295	6N7408N
A1A3U26	1820-0256	9		IC BFR DTL NAND QUAD 2-IMP	01295	6N15858N
A1A3U27	1820-0659	6		IC SHF-RCTR TTL L D-TYPE PRL-IN PRL-OUT	07263	93L00PC
A1A3U28	1820-1433	6		IC SHF-RCTR TTL LS R-B SERIAL-IN PRL-OUT	01295	6N74L6164N
A1A3U29	1820-0065	8	2	IC FF TTL J-K POS-EDGE-TRIC CLEAR	01295	6N7470N
A1A3U30	1820-0054	5		IC GATE TTL NAND QUAD 2-IMP	01295	6N7400N
A1A3U31	1820-0174	0		IC INV TTL HEX	01295	6N7404N
A1A3U32	1820-0511	9		IC GATE TTL AND QUAD 2-IMP	01295	6N7408N
A1A3U33	1820-0069	2		IC GATE TTL NAND DUAL 4-IMP	01295	6N7420N
A1A3U34	1820-0054	5		IC GATE TTL NAND QUAD 2-IMP	01295	6N7400N
A1A3U35	1820-0068	1	10	IC GATE TTL NAND TPL 3-IMP	01295	6N7410N
A1A3U36	1820-1433	6		IC SHF-RCTR TTL LS R-B SERIAL-IN PRL-OUT	01295	6N74L6164N
A1A3U37	1820-1433	6		IC SHF-RCTR TTL LS R-B SERIAL-IN PRL-OUT	01295	6N74L6164N
A1A3U38	1820-1433	6		IC SHF-RCTR TTL LS R-B SERIAL-IN PRL-OUT	01295	6N74L6164N
A1A3U39	1820-0659	6		IC SHF-RCTR TTL L D-TYPE PRL-IN PRL-OUT	07263	93L00PC
A1A4	08660-60197	2	1	BOARD ASSEMBLY, ROM INPUT	28480	08660-60197
A1A4C1	0180-0197	8		CAPACITOR-FXD 2.2UF+-10% 20VDC TA	56289	150D225X9020A2
A1A4C2	0180-0197	8		CAPACITOR-FXD 2.2UF+-10% 20VDC TA	56289	150D225X9020A2
A1A4C3	0180-0197	8		CAPACITOR-FXD 2.2UF+-10% 20VDC TA	56289	150D225X9020A2
A1A4C4	0180-0197	8		CAPACITOR-FXD 2.2UF+-10% 20VDC TA	56289	150D225X9020A2
A1A4C5	0180-0197	8		CAPACITOR-FXD 2.2UF+-10% 20VDC TA	56289	150D225X9020A2
A1A4CR1	1901-0040	1		DIODE-SWITCHING 30V 50MA 2MS DO-35	28480	1901-0040
A1A4D51	1990-0326	3	7	LED-VISIBLE LUM-INT=300UCD IF=50MA-MAX	28480	5082-4444
A1A4D52	1990-0326	3		LED-VISIBLE LUM-INT=300UCD IF=50MA-MAX	28480	5082-4444
A1A4D53	1990-0326	3		LED-VISIBLE LUM-INT=300UCD IF=50MA-MAX	28480	5082-4444
A1A4D54	1990-0326	3		LED-VISIBLE LUM-INT=300UCD IF=50MA-MAX	28480	5082-4444
A1A4D55	1990-0326	3		LED-VISIBLE LUM-INT=300UCD IF=50MA-MAX	28480	5082-4444
A1A4D56	1990-0326	3		LED-VISIBLE LUM-INT=300UCD IF=50MA-MAX	28480	5082-4444
A1A4D57	1990-0326	3		LED-VISIBLE LUM-INT=300UCD IF=50MA-MAX	28480	5082-4444
A1A4R1	0698-3153	9	10	RESISTOR 3.03K 1% .125W F TC=0+-100	24546	C4-1/8-TD-3831-F
A1A4R2	0698-3445	2	19	RESISTOR 348 1% .125W F TC=0+-100	24546	C4-1/8-TD-348R-F
A1A4R3	0698-3153	9		RESISTOR 3.03K 1% .125W F TC=0+-100	24546	C4-1/8-TD-3831-F
A1A4R4	0698-3153	9		RESISTOR 3.03K 1% .125W F TC=0+-100	24546	C4-1/8-TD-3831-F
A1A4R5	0698-3153	9		RESISTOR 3.03K 1% .125W F TC=0+-100	24546	C4-1/8-TD-3831-F
A1A4R6	0698-3445	2		RESISTOR 348 1% .125W F TC=0+-100	24546	C4-1/8-TD-348R-F
A1A4R7	0698-3153	9		RESISTOR 3.03K 1% .125W F TC=0+-100	24546	C4-1/8-TD-3831-F
A1A4R8	0698-3445	2		RESISTOR 348 1% .125W F TC=0+-100	24546	C4-1/8-TD-348R-F
A1A4R9	0698-3153	9		RESISTOR 3.03K 1% .125W F TC=0+-100	24546	C4-1/8-TD-3831-F
A1A4R10	0698-3445	2		RESISTOR 348 1% .125W F TC=0+-100	24546	C4-1/8-TD-348R-F
A1A4R11	0698-3153	9		RESISTOR 3.03K 1% .125W F TC=0+-100	24546	C4-1/8-TD-3831-F
A1A4R12	0698-3445	2		RESISTOR 348 1% .125W F TC=0+-100	24546	C4-1/8-TD-348R-F
A1A4R13	0698-3153	9		RESISTOR 3.03K 1% .125W F TC=0+-100	24546	C4-1/8-TD-3831-F
A1A4R14	0698-3445	2		RESISTOR 348 1% .125W F TC=0+-100	24546	C4-1/8-TD-348R-F
A1A4R15	0698-3153	9		RESISTOR 3.03K 1% .125W F TC=0+-100	24546	C4-1/8-TD-3831-F
A1A4R16	0698-3445	2		RESISTOR 348 1% .125W F TC=0+-100	24546	C4-1/8-TD-348R-F
A1A4R17	0698-3153	9		RESISTOR 3.03K 1% .125W F TC=0+-100	24546	C4-1/8-TD-3831-F
A1A4R18	0698-3445	2		RESISTOR 348 1% .125W F TC=0+-100	24546	C4-1/8-TD-348R-F
A1A4S1	3101-0137	3	4	SWITCH-GENS SPDT GURMIN .5A 28VDC	28480	3101-0137
A1A4TP1	0360-1514	7		TERMINAL-STUD SCL-PIN PRESS-MTC	28480	0360-1514
A1A4TP2	0360-1514	7		TERMINAL-STUD SCL-PIN PRESS-MTC	28480	0360-1514
A1A4TP3	0360-1514	7		TERMINAL-STUD SCL-PIN PRESS-MTC	28480	0360-1514
A1A4TP4	0360-1514	7		TERMINAL-STUD SCL-PIN PRESS-MTC	28480	0360-1514
A1A4TP5	0360-1514	7		TERMINAL-STUD SCL-PIN PRESS-MTC	28480	0360-1514

See introduction to this section for ordering information
 *Indicates factory selected value

Table 6-3. Replaceable Parts

Reference Designation	HP Part Number	C D	Qty	Description	Mfr Code	Mfr Part Number
A1A4T6	0360-1514	7		TERMINAL-STUD GCL-PIN PRESS-MTC	28480	0360-1514
A1A4T7	0360-1514	7		TERMINAL-STUD GCL-PIN PRESS-MTC	28480	0360-1514
A1A4T8	0360-1514	7		TERMINAL-STUD GCL-PIN PRESS-MTC	28480	0360-1514
A1A4T9	0360-1514	7		TERMINAL-STUD GCL-PIN PRESS-MTC	28480	0360-1514
A1A4T10	0360-1514	7		TERMINAL-STUD GCL-PIN PRESS-MTC	28480	0360-1514
A1A4U1	1820-0070	5	5	IC GATE TTL NAND 8-INP	01295	6N7438N
A1A4U2	1820-0511	9		IC GATE TTL AND QUAD 2-INP	01295	6N7408N
A1A4U3	1820-0174	0		IC INV TTL HEX	01295	6N7404N
A1A4U4	1820-0076	1	4	IC FF TTL J-K PULSE PRESET/CLEAR DUAL	01295	6N7476N
A1A4U5	1820-0076	1		IC FF TTL J-K PULSE PRESET/CLEAR DUAL	01295	6N7476N
A1A4U6	1820-0076	1		IC FF TTL J-K PULSE PRESET/CLEAR DUAL	01295	6N7476N
A1A4U7	1820-0076	1		IC FF TTL J-K PULSE PRESET/CLEAR DUAL	01295	6N7476N
A1A4U8	1820-0054	5		IC GATE TTL NAND QUAD 2-INP	01295	6N7400N
A1A4U9	1820-0640	5	7	IC MUXR/DATA-BEL TTL 16-TO-1-LINE 16-INP	01295	6N74150N
A1A4U10	1820-0214	9		IC DCDR TTL BCD-TO-DEC 4-TO-10-LINE	01295	6N7442AN
A1A4U11	08660-80020	2	1	IC, PROM MACH. STATE	28480	08660-80020
A1A4U12	08660-80021	3	1	IC, PROM MACH. STATE	28480	08660-80021
A1A4U13	1820-0174	0		IC INV TTL HEX	01295	6N7404N
A1A4U14	1820-1574	6		IC FF TTL LB J-K PULSE CLEAR DUAL	01295	6N74157JAN
A1A4U15	1820-1574	6		IC FF TTL LB J-K PULSE CLEAR DUAL	01295	6N74157JAN
A1A4U16	1820-1731	7	1	IC FF TTL L J-K PULSE CLEAR DUAL	01295	6N74173N
A1A4U17	08660-80022	4	1	IC, PROM OUTPUT INSTRUCTIONS	28480	08660-80022
A1A4U18	1820-0640	5		IC MUXR/DATA-BEL TTL 16-TO-1-LINE 16-INP	01295	6N74150N
A1A4U19	1820-0640	5		IC MUXR/DATA-BEL TTL 16-TO-1-LINE 16-INP	01295	6N74150N
A1A4U20	1820-0640	5		IC MUXR/DATA-BEL TTL 16-TO-1-LINE 16-INP	01295	6N74150N
A1A4U21	1820-0640	5		IC MUXR/DATA-BEL TTL 16-TO-1-LINE 16-INP	01295	6N74150N
A1A4U22	1820-0640	5		IC MUXR/DATA-BEL TTL 16-TO-1-LINE 16-INP	01295	6N74150N
A1A4U23	1820-0640	5		IC MUXR/DATA-BEL TTL 16-TO-1-LINE 16-INP	01295	6N74150N
A1A5	08660-60259	7	1	BOARD ASSEMBLY, ROM OUTPUT	28480	08660-60259
A1A5C1	0180-0197	8		CAPACITOR-FXD 2.2UF+-10% 20VDC TA	56289	150D225X9020A2
A1A5C2	0180-0197	8		CAPACITOR-FXD 2.2UF+-10% 20VDC TA	56289	150D225X9020A2
A1A5C3	0180-0197	8		CAPACITOR-FXD 2.2UF+-10% 20VDC TA	56289	150D225X9020A2
A1A5C4	0180-0197	8		CAPACITOR-FXD 2.2UF+-10% 20VDC TA	56289	150D225X9020A2
A1A5C5	0180-0197	8		CAPACITOR-FXD 2.2UF+-10% 20VDC TA	56289	150D225X9020A2
A1A5C6	0180-0197	8		CAPACITOR-FXD 2.2UF+-10% 20VDC TA	56289	150D225X9020A2
A1A5C7	0160-2534	9	1	CAPACITOR-FXD 300PF +-1% 300VDC MICA	28480	0160-2534
A1A5U1	1820-0661	0		IC GATE TTL OR QUAD 2-INP	01295	6N7432N
A1A5U2	1820-0054	5		IC GATE TTL NAND QUAD 2-INP	01295	6N7400N
A1A5U3	1820-0054	5		IC GATE TTL NAND QUAD 2-INP	01295	6N7400N
A1A5U4	1820-0174	0		IC INV TTL HEX	01295	6N7404N
A1A5U5	1820-0068	1		IC GATE TTL NAND TPL 3-INP	01295	6N7410N
A1A5U6	1820-0372	0		IC GATE TTL H AND TPL 3-INP	01295	6N74H11N
A1A5U7	1820-0070	5		IC GATE TTL NAND 8-INP	01295	6N7438N
A1A5U8	1820-3495	8		IC DCDR TTL 4-TO-16-LINE 4-INP	01295	6N74154N
A1A5U9	1820-0060	1		IC GATE TTL NAND TPL 3-INP	01295	6N7410N
A1A5U10	1820-1174	0		IC INV TTL HEX	01295	6N7404N
A1A5U11	1820-0511	9		IC GATE TTL AND QUAD 2-INP	01295	6N7408N
A1A5U12	1820-0661	0		IC GATE TTL OR QUAD 2-INP	01295	6N7432N
A1A5U13	1820-0511	9		IC GATE TTL AND QUAD 2-INP	01295	6N7408N
A1A5U14	1820-0511	9		IC GATE TTL AND QUAD 2-INP	01295	6N7408N
A1A5U15	1820-0069	2		IC GATE TTL NAND DUAL 4-INP	01295	6N7420N
A1A5U16	1820-0070	5		IC GATE TTL NAND 8-INP	01295	6N7438N
A1A5U17	1820-0495	8		IC DCDR TTL 4-TO-16-LINE 4-INP	01295	6N74154N
A1A5U18	1820-0716	6	1	IC CMTR TTL BIN SYNCHRO POS-EDGE-TRIG	01295	6N74161N
A1A5U19	1820-0054	5		IC GATE TTL NAND QUAD 2-INP	01295	6N7400N
A1A5U20	1820-1202	7		IC GATE TTL LB NAND TPL 3-INP	01295	6N74L510N
A1A5U21	1820-1202	7		IC GATE TTL LB NAND TPL 3-INP	01295	6N74L510N
A1A5U22	1820-0511	9		IC GATE TTL AND QUAD 2-INP	01295	6N7408N
A1A5U23	1820-0069	2		IC GATE TTL NAND DUAL 4-INP	01295	6N7420N
A1A5U24	1820-0070	5		IC GATE TTL NAND 8-INP	01295	6N7438N
A1A5U25	1820-0495	8		IC DCDR TTL 4-TO-16-LINE 4-INP	01295	6N74154N
A1A6	08660-60198	3	1	BOARD ASSEMBLY, REGISTER	28480	08660-60198
A1A6C1	0180-0197	8		CAPACITOR-FXD 2.2UF+-10% 20VDC TA	56289	150D225X9020A2
A1A6C2	0180-0197	8		CAPACITOR-FXD 2.2UF+-10% 20VDC TA	56289	150D225X9020A2
A1A6C3	0180-0197	8		CAPACITOR-FXD 2.2UF+-10% 20VDC TA	56289	150D225X9020A2
A1A6C4	0180-0197	8		CAPACITOR-FXD 2.2UF+-10% 20VDC TA	56289	150D225X9020A2
A1A6C5	0180-0197	8		CAPACITOR-FXD 2.2UF+-10% 20VDC TA	56289	150D225X9020A2
A1A6C6	0180-0197	8		CAPACITOR-FXD 2.2UF+-10% 20VDC TA	56289	150D225X9020A2
A1A6C7	0180-0197	8		CAPACITOR-FXD 2.2UF+-10% 20VDC TA	56289	150D225X9020A2
A1A6C8	0180-0197	8		CAPACITOR-FXD 2.2UF+-10% 20VDC TA	56289	150D225X9020A2
A1A6C9	0180-1735	2	2	CAPACITOR-FXD 2.2UF+-10% 35VDC TA	56289	150D224X9035A2
A1A6C10	0180-1735	2		CAPACITOR-FXD 2.2UF+-10% 35VDC TA	56289	150D224X9035A2

See introduction to this section for ordering information
 *Indicates factory selected value
 † BACKDATING INFORMATION IN SECTION VI1

Table 6-3. Replaceable Parts

Reference Designation	HP Part Number	C D	Qty	Description	Mfr Code	Mfr Part Number
A1A6R1	069B-7236	7	2	RESISTOR 1K 1% .05W F TC=0+-100	24546	C3-1/8-TD-1001-G
A1A6R2	069B-7236	7		RESISTOR 1K 1% .05W F TC=0+-100	24546	C3-1/8-TD-1001-G
A1A6U1				NQT ASSIGNED		
A1A6U2	1820-0379	7	1	IC GATE TTL H AND-OR	01295	6N74H52N
A1A6U3	1820-1433	6		IC SHF-RCR TTL L6 R-6 SERIAL-IN PRL-OUT	01295	6N74LS164N
A1A6U4	1820-1433	6		IC SHF-RCR TTL L6 R-6 SERIAL-IN PRL-OUT	01295	6N74LS164N
A1A6U5	1820-0661	0		IC GATE TTL OR QUAD 2-INP	01295	6N7432N
A1A6U6	1820-0328	6		IC GATE TTL NOR QUAD 2-INP	01295	6N7402N
A1A6U7	1820-0709	7		IC SHF-RCR TTL L R-6 SERIAL-IN	07263	93L28PC
A1A6U8	1820-0709	7		IC SHF-RCR TTL L R-6 SERIAL-IN	07263	93L28PC
A1A6U9	1820-0709	7		IC SHF-RCR TTL L R-6 SERIAL-IN	07263	93L28PC
A1A6U10	1820-0372	0		IC GATE TTL H AND TPL 3-INP	01295	6N74H11N
A1A6U11	1820-0077	2	2	IC FF TTL D-TYPE POS-EDGE-TRIC CLEAR	01295	6N7474N
A1A6U12	1820-0903	3		IC SHF-RCR TTL L R-6 SERIAL-IN PRL-OUT	01295	6N74LS164N
A1A6U13	1820-0903	3		IC SHF-RCR TTL L R-6 SERIAL-IN PRL-OUT	01295	6N74LS164N
A1A6U14	1820-0328	6		IC GATE TTL NOR QUAD 2-INP	01295	6N7402N
A1A6U15	1820-0054	5		IC GATE TTL NAND QUAD 2-INP	01295	6N7400N
A1A6U16	1820-0709	7		IC SHF-RCR TTL L R-6 SERIAL-IN	07263	93L28PC
A1A6U17	1820-0709	7		IC SHF-RCR TTL L R-6 SERIAL-IN	07263	93L28PC
A1A6U18	1820-0709	7		IC SHF-RCR TTL L R-6 SERIAL-IN	07263	93L28PC
A1A6U19	1820-0668	1		IC GATE TTL NAND TPL 3-INP	01295	6N7410N
A1A6U20	1820-0654	5		IC GATE TTL NAND QUAD 2-INP	01295	6N7400N
A1A6U21	1820-0511	9		IC GATE TTL AND QUAD 2-INP	01295	6N7405N
A1A6U22	1820-0372	0		IC GATE TTL H AND TPL 3-INP	01295	6N74H11N
A1A6U23	1820-0328	6		IC GATE TTL NOR QUAD 2-INP	01295	6N7402N
A1A6U24	1820-1197	9	4	IC GATE TTL LB NAND QUAD 2-INP	01295	6N74LS00N
A1A6U25	1820-0668	1		IC GATE TTL NAND TPL 3-INP	01295	6N7410N
A1A6U26	1820-0659	6		IC SHF-RCR TTL L D-TYPE PRL-IN PRL-OUT	07263	93L00PC
A1A6U27	1820-0659	6		IC SHF-RCR TTL L D-TYPE PRL-IN PRL-OUT	07263	93L00PC
A1A6U28	1820-0659	6		IC SHF-RCR TTL L D-TYPE PRL-IN PRL-OUT	07263	93L00PC
A1A6U29	1820-0654	5		IC GATE TTL NAND QUAD 2-INP	01295	6N7400N
A1A6U30	1820-0654	5		IC GATE TTL NAND QUAD 2-INP	01295	6N7400N
A1A6U31	1820-0661	0		IC GATE TTL OR QUAD 2-INP	01295	6N7432N
A1A6U32	1820-1197	9		IC GATE TTL LB NAND QUAD 2-INP	01295	6N74LS00N
A1A6U33	1820-1202	7		IC GATE TTL LB NAND TPL 3-INP	01295	6N74LS10N
A1A6U34	1820-0854	5		IC GATE TTL NAND QUAD 2-INP	01295	6N7400N
A1A6U35	1820-0654	5		IC GATE TTL NAND QUAD 2-INP	01295	6N7400N
A1A6U36	1820-0659	6		IC SHF-RCR TTL L D-TYPE PRL-IN PRL-OUT	07263	93L00PC
A1A6U37	1820-0659	6		IC SHF-RCR TTL L D-TYPE PRL-IN PRL-OUT	07263	93L00PC
A1A6U38	1820-0659	6		IC SHF-RCR TTL L D-TYPE PRL-IN PRL-OUT	07263	93L00PC
A1A6U39	1820-0511	9		IC GATE TTL AND QUAD 2-INP	01295	6N7405N
A1A6U40	1820-0174	0		IC INV TTL HEX	01295	6N7404N
A1A7	08660-60151	8	1	BOARD ASSEMBLY, ALU(EXCEPT OPTION 004)	28488	08660-60151
A1A7	08660-60184	7		BOARD ASSEMBLY, ALU(OPTION 004 ONLY)	28488	08660-60184
A1A7C1	0180-0197	8		CAPACITOR-FXD 2.2UF+-10% 20VDC TA	56289	150D225X9020A2
A1A7C2	0180-0197	8		CAPACITOR-FXD 2.2UF+-10% 20VDC TA	56289	150D225X9020A2
A1A7C3	0180-0197	8		CAPACITOR-FXD 2.2UF+-10% 20VDC TA	56289	150D225X9020A2
A1A7R1	0757-0438	3		RESISTOR 5.11K 1% .125W F TC=0+-100	24546	CA-1/8-TD-5111-F
A1A7R2	0757-0438	3		RESISTOR 5.11K 1% .125W F TC=0+-100	24546	CA-1/8-TD-5111-F
A1A7R3	0757-0438	3		RESISTOR 5.11K 1% .125W F TC=0+-100	24546	CA-1/8-TD-5111-F
A1A7R4	0757-0438	3		RESISTOR 5.11K 1% .125W F TC=0+-100	24546	CA-1/8-TD-5111-F
A1A7R5	069B-0882	7		RESISTOR 464 1% .125W F TC=0+-100	24546	CA-1/8-TD-4640-F
A1A7R6	069B-0882	7		RESISTOR 464 1% .125W F TC=0+-100	24546	CA-1/8-TD-4640-F
A1A7U1	1820-0174	0		IC INV TTL HEX	01295	6N7404N
A1A7U2	1820-0778	0	1	IC CNTR TTL L BIN SYNCHRD POS-EDGE-TRIC	07263	93L16PC
A1A7U3	1820-0668	1		IC GATE TTL NAND TPL 3-INP	01295	6N7410N
A1A7U4	1820-0668	1		IC GATE TTL NAND TPL 3-INP	01295	6N7410N
A1A7U5	1820-0305	9		IC ADDR TTL FULL ADDER 4-BIT	01295	6N7403AN
A1A7U6	1820-0305	9		IC ADDR TTL FULL ADDER 4-BIT	01295	6N7403AN
A1A7U7	1820-0511	9		IC GATE TTL AND QUAD 2-INP	01295	6N7405N
A1A7U8	1820-0710	0		IC MUX/DATA-SEL TTL L 2-TO-1-LINE QUAD	07263	93L22PC
A1A7U9	08660-80019	9	1	IC, PROM MANUAL TUNING	28480	08660-80019
A1A7U10	1820-0054	5		IC GATE TTL NAND QUAD 2-INP	01295	6N7400N
A1A7U11	1820-0668	1		IC GATE TTL NAND TPL 3-INP	01295	6N7410N
A1A7U12	1820-0740	6	2	IC MISC TTL H 4-BIT	01295	6N74H87N
A1A7U13	1820-0661	0		IC GATE TTL OR QUAD 2-INP	01295	6N7432N
A1A7U14	1820-0740	6		IC MISC TTL H 4-BIT	01295	6N74H87N
A1A7U15	1820-0054	5		IC GATE TTL NAND QUAD 2-INP	01295	6N7400N
A1A7U16	1820-0054	5		IC GATE TTL NAND QUAD 2-INP	01295	6N7400N
A1A7U17	1820-0054	5		IC GATE TTL NAND QUAD 2-INP	01295	6N7400N
A1A7U18	1820-0668	1		IC GATE TTL NAND TPL 3-INP	01295	6N7410N
A1A7U19	1820-0077	2		IC FF TTL D-TYPE POS-EDGE-TRIC CLEAR	01295	6N7474N
A1A7U20	1820-0654	5		IC GATE TTL NAND QUAD 2-INP	01295	6N7400N

See Introduction to this section for ordering information
 *Indicates factory selected value

Table 6-3. Replaceable Parts

Reference Designation	HP Part Number	C D	Qty	Description	Mfr Code	Mfr Part Number
A1A7X41	1200-0507	9		SOCKET-IC 16-COND DIP-5LDR	2B480	1200-0507
A1AB†	08660-64353	2	1	BOARD ASSEMBLY, SWEEP COUNT	23480	08660-60353
A1ABC1	0180-0197	8		CAPACITOR-FXD 2.2UF+-10% 20VDC TA	56289	150D225X9020A2
A1ABC2	0180-0197	8		CAPACITOR-FXD 2.2UF+-10% 20VDC TA	56289	150D225X9020A2
A1ABC3	0180-0218	4	1	CAPACITOR-FXD .15UF+-10% 35VDC TA	56289	150D154X9035A2
A1ABQ1	1854-0071	7	5	TRANSISTOR NPN 6I PD=300MW FT=200MHZ	28480	1854-0071
A1ABR1	0698-3154	0	6	RESISTOR 4.22K 1% .125W F TC=0+-100	24546	CA-1/B-T0-4221-F
A1ABR2	0698-3154	0	0	RESISTOR 4.22K 1% .125W F TC=0+-100	24546	CA-1/B-T0-4221-F
A1ABR3†				NOT ASSIGNED		
A1ABR4	0698-3154	0	0	RESISTOR 4.22K 1% .125W F TC=0+-100	24546	CA-1/B-T0-4221-F
A1ABR5	0757-0465	6	1	RESISTOR 100K 1% .125W F TC=0+-100	24546	CA-1/B-T0-1003-F
A1ABR6	0757-0472	5	1	RESISTOR 200K 1% .125W F TC=0+-100	24546	CA-1/B-T0-2003-F
A1ABR7	0698-6248	9	3	RESISTOR 400K 1% .125W F TC=0+-100	28480	0698-6248
A1ABR8	0698-6248	9	0	RESISTOR 400K 1% .125W F TC=0+-100	28480	0698-6248
A1ABR9	0698-3152	8	1	RESISTOR 3.49K 1% .125W F TC=0+-100	24546	CA-1/B-T0-3491-F
A1ABR10	0698-0084	9	1	RESISTOR 2.15K 1% .125W F TC=0+-100	24546	CA-1/B-T0-2151-F
A1ABR11	2100-3123	0	1	RESISTOR-TRMR 500 10% C SIDE-ADJ 17-TRN	02111	43P501
A1ABR12	0698-6248	9	3	RESISTOR 400K 1% .125W F TC=0+-100	28480	0698-6248
A1ABR13	0757-0420	3	2	RESISTOR 750 1% .125W F TC=0+-100	24546	CA-1/B-T0-751-F
A1ABR14	0757-0274	5	1	RESISTOR 1.21K 1% .125W F TC=0+-100	24546	CA-1/B-T0-1211-F
A1ABR15	0757-0442	9	6	RESISTOR 10K 1% .125W F TC=0+-100	24546	CA-1/B-T0-1002-F
A1ABR16	0757-0449	6	1	RESISTOR 20K 1% .125W F TC=0+-100	24546	CA-1/B-T0-2002-F
A1ABR17	0698-4008	5	1	RESISTOR 40K 1% .125W F TC=0+-100	24546	CA-1/B-T0-4002-F
A1ABR18	0698-3281	8	1	RESISTOR 80K 1% .125W F TC=0+-100	24546	CA-1/B-T0-8002-F
A1ABR19	0757-0288	3	3	RESISTOR 1K 1% .125W F TC=0+-100	24546	CA-1/B-T0-1001-F
A1ABR20	0698-3154	0	0	RESISTOR 4.22K 1% .125W F TC=0+-100	24546	CA-1/B-T0-4221-F
A1ABR21	0757-0422	5	1	RESISTOR 909 1% .125W F TC=0+-100	24546	CA-1/B-T0-909R-F
A1ABR22	0757-0283	6	1	RESISTOR 2X 1% .125W F TC=0+-100	24546	CA-1/B-T0-2001-F
A1ABR23	0698-5808	5	1	RESISTOR 4K 1% .125W F TC=0+-100	24546	CA-1/B-T0-4001-F
A1ABR24	0698-3200	7	1	RESISTOR 8K 1% .125W F TC=0+-100	24546	CA-1/B-T0-8001-F
A1ABR25	0757-0420	3	1	RESISTOR 750 1% .125W F TC=0+-100	24546	CA-1/B-T0-751-F
A1ABR26	0698-3154	0	0	RESISTOR 4.22K 1% .125W F TC=0+-100	24546	CA-1/B-T0-4221-F
A1ABR27	0698-3154	0	0	RESISTOR 4.22K 1% .125W F TC=0+-100	24546	CA-1/B-T0-4221-F
A1ABR28	2100-3122	9	3	RESISTOR-TRMR 100 10% C SIDE-ADJ 17-TRN	02111	43P101
A1ABR29	2100-3122	9	9	RESISTOR-TRMR 100 10% C SIDE-ADJ 17-TRN	02111	43P101
A1ABR30	2100-3122	9	9	RESISTOR-TRMR 100 10% C SIDE-ADJ 17-TRN	02111	43P101
A1ABR31†	0757-0280	3	1	RESISTOR 1K 1% .125W F TC=0+-100	24546	CA-1/B-T0-1001-F
A1ABR32†	0757-0280	3	1	RESISTOR 1K 1% .125W F TC=0+-100	24546	CA-1/B-T0-1001-F
A1ABU1	1820-0013	8	1	IC DP AMP LOW-NOISE TD-99 PNC	06665	56B741CJ
A1ABU2†	1820-1438	1	1	IC MUXR/DATA-BEL TTL LS 2-TO-1-LINE QUAD	01295	5N74L8257AM
A1ABU3	1820-1197	9	1	IC GATE TTL LS NAND QUAD 2-IMP	01295	5N74LS00N
A1ABU4	1820-0070	0	0	IC GATE TTL NAND 8-IMP	01295	5N7438N
A1ABU5	1820-0546	5	2	IC CNTR TTL DECD UP/DOWN SYNCHRO	01295	5N74192N
A1ABU6	1820-0068	1	1	IC GATE TTL NAND TPL 3-IMP	01295	5N7418N
A1ABU7	1820-0577	7	3	IC INV TTL HEX 1-IMP	01295	5N7416N
A1ABU8	1820-1197	9	1	IC GATE TTL LS NAND QUAD 2-IMP	01295	5N74LS00N
A1ABU9	1820-0328	6	0	IC GATE TTL NOR QUAD 2-IMP	01295	5N7402N
A1ABU10	1028-0546	0	0	IC CNTR TTL DECD UP/DOWN SYNCHRO	01295	5N74192N
A1ABU11	1820-0577	7	1	IC INV TTL HEX 1-IMP	01295	5N7416N
A1ABU12	1820-0328	6	0	IC GATE TTL NOR QUAD 2-IMP	01295	5N7402N
A1ABU13	1820-0577	7	1	IC INV TTL HEX 1-IMP	01295	5N7416N
A1AB MISCELLANEOUS						
	0360-0124	3	1	CONNECTOR-SGL COND PIN .94-IN-BEC-5Z RND	28480	0360-0124
	0361-0251	9	1	EYELET	28480	0361-0251
A1A7	08660-60199	4	1	BOARD ASSEMBLY, REGISTER "A"	28480	08660-60199
A1A9C1	0180-0197	8		CAPACITOR-FXD 2.2UF+-10% 20VDC TA	56289	150D225X9020A2
A1A9C2	0180-0197	8		CAPACITOR-FXD 2.2UF+-10% 20VDC TA	56289	150D225X9020A2
A1A9C3	0180-0197	8		CAPACITOR-FXD 2.2UF+-10% 20VDC TA	56289	150D225X9020A2
A1A9C4	0180-0197	8		CAPACITOR-FXD 2.2UF+-10% 20VDC TA	56289	150D225X9020A2
A1A9U1	1820-0709	7		IC 5MF-RCR TTL L R-B SERIAL-IN	07263	93L28PC
A1A9U2	1820-0709	7		IC 5MF-RCR TTL L R-B SERIAL-IN	07263	93L28PC
A1A9U3	1820-0659	6	6	IC 5MF-RCR TTL L D-TYPE PRL-IN PRL-OUT	07263	93L00PC
A1A9U4	1820-0659	6	6	IC 5MF-RCR TTL L D-TYPE PRL-IN PRL-OUT	07263	93L00PC
A1A9U5	1820-0659	6	6	IC 5MF-RCR TTL L D-TYPE PRL-IN PRL-OUT	07263	93L00PC
A1A9U6	1820-0659	6	6	IC 5MF-RCR TTL L D-TYPE PRL-IN PRL-OUT	07263	93L00PC
A1A9U7	1820-0659	6	6	IC 5MF-RCR TTL L D-TYPE PRL-IN PRL-OUT	07263	93L00PC
A1A9U8	1820-0710	0	0	IC MUXR/DATA-BEL TTL L 2-TO-1-LINE QUAD	07263	93L22PC
A1A9U9	1820-0305	0	0	IC ADDR TTL FULL ADDER 4-BIT	01295	5N7483AM
A1A9U10	1820-0054	5	1	IC GATE TTL NAND QUAD 2-IMP	01295	5N7400N

See Introduction to this section for ordering information

*Indicates factory selected value

† BACKDATING INFORMATION IN SECTION VII

Table 6-3. Replaceable Parts

Reference Designation	HP Part Number	C D	Qty	Description	Mfr Code	Mfr Part Number
A1A9U11	1820-0372	0		IC GATE TTL H AND TPL 3-INP	01295	6N74H11N
A1A9U12	1820-0372	0		IC GATE TTL H AND TPL 3-INP	01295	6N74H11N
A1A9U13	1820-0854	5		IC GATE TTL NAND QUAD 2-INP	01295	6N7400N
A1A9U14	1820-0854	5		IC GATE TTL NAND QUAD 2-INP	01295	6N7400N
A1A9U15	1820-0854	5		IC GATE TTL NAND QUAD 2-INP	01295	6N7400N
A1A9U16	1820-0174	0		IC INV TTL HEX	01295	6N7404N
A1A1D	08660-60128	9	1	BOARD ASSEMBLY, OUTPUT REGISTER	28480	08660-60128
A1A10C1	0180-0197	8		CAPACITOR-FXD 2.2UF+-10% 20VDC TA	56289	150D225X9020A2
A1A10C2	0140-0196	3		CAPACITOR-FXD 150PF +-5% 300VDC MICA	72136	DM15F151J0300V1CA
A1A10C3	0180-0197	8		CAPACITOR-FXD 2.2UF+-10% 20VDC TA	56289	150D225X9020A2
A1A10R1	0698-0882	7		RESISTOR 464 1% .125W F TC=0+-100	24546	CA-1/8-T0-4640-F
A1A10R2	0698-0882	7		RESISTOR 464 1% .125W F TC=0+-100	24546	CA-1/8-T0-4640-F
A1A10U1	1820-0627	8	1	IC DCDR TTL L BCD-T0-DEC 4-T0-10-LINE	07263	93L01PC
A1A10U2	1820-0535	7	1	IC DRVR TTL AND DUAL 2-INP	01295	6N75451BP
A1A10U3	1820-0854	5		IC GATE TTL NAND QUAD 2-INP	01295	6N7400N
A1A10U4	1820-0614	3	5	IC LCH TTL L D-TYPE *UAL 4-BIT	07263	93L08PC
A1A10U5	1820-0614	3		IC LCH TTL L D-TYPE DUAL 4-BIT	07263	93L08PC
A1A10U6	1820-0614	3		IC LCH TTL L D-TYPE DUAL 4-BIT	07263	93L08PC
A1A10U7	1820-0614	3		IC LCH TTL L D-TYPE DUAL 4-BIT	07263	93L08PC
A1A10U8	1820-0614	3		IC LCH TTL L D-TYPE DUAL 4-BIT	07263	93L08PC
A1A11	08660-60257	5	1	BOARD ASSEMBLY, INTERCONNECT	28480	08660-60257
A1A11C1	0160-3452	2	1	CAPACITOR-FXD .02UF +-20% 100VDC CER	28480	0160-3452
A1A11C2	0160-0575	4	2	CAPACITOR-FXD .047UF +-20% 50VDC CER	28480	0160-0575
A1A11C3	0160-0575	4		CAPACITOR-FXD .047UF +-20% 50VDC CER	28480	0160-0575
A1A11J1	1200-0507	9		SOCKET-IC 16-COMT DIP-6LDR	28480	1200-0507
A1A11J2	1200-0507	9		SOCKET-IC 16-COMT DIP-6LDR	28480	1200-0507
A1A11J3	1200-0507	9		SOCKET-IC 16-COMT DIP-6LDR	28480	1200-0507
A1A11J4	1250-1255	1	7	CONNECTOR-RF 6MB M PC 50-OHM	28480	1250-1255
A1A11J5	1251-2361	4		CONTACT-CONN U/W-POST-TYPE MALE DP6LDR	28480	1251-2361
A1A11J6	1251-2361	4		CONTACT-CONN U/W-POST-TYPE MALE DP6LDR	28480	1251-2361
A1A11T1	0360-1514	7		TERMINAL-STD 6CL-PIN PRESS-MTC	28480	0360-1514
A1A11XA10A	1251-2035	9	32	CONNECTOR-PC EDGE 15-COMT/ROW 2-ROWS	28480	1251-2035
A1A11XA10B	1251-2026	8	10	CONNECTOR-PC EDGE 18-COMT/ROW 2-ROWS	28480	1251-2026
A1A11XA1-1	1251-2035	9		CONNECTOR-PC EDGE 15-COMT/ROW 2-ROWS	28480	1251-2035
A1A11XA1-2	1251-2026	8		CONNECTOR-PC EDGE 18-COMT/ROW 2-ROWS	28480	1251-2026
A1A11XA2-1	1251-2035	9		CONNECTOR-PC EDGE 15-COMT/ROW 2-ROWS	28480	1251-2035
A1A11XA2-2	1251-2026	8		CONNECTOR-PC EDGE 18-COMT/ROW 2-ROWS	28480	1251-2026
A1A11XA3-1	1251-2035	9		CONNECTOR-PC EDGE 15-COMT/ROW 2-ROWS	28480	1251-2035
A1A11XA3-2	1251-2026	8		CONNECTOR-PC EDGE 18-COMT/ROW 2-ROWS	28480	1251-2026
A1A11XA4-1	1251-2035	9		CONNECTOR-PC EDGE 15-COMT/ROW 2-ROWS	28480	1251-2035
A1A11XA4-2	1251-2026	8		CONNECTOR-PC EDGE 18-COMT/ROW 2-ROWS	28480	1251-2026
A1A11XA5-1	1251-2035	9		CONNECTOR-PC EDGE 15-COMT/ROW 2-ROWS	28480	1251-2035
A1A11XA5-2	1251-2026	8		CONNECTOR-PC EDGE 18-COMT/ROW 2-ROWS	28480	1251-2026
A1A11XA6-1	1251-2035	9		CONNECTOR-PC EDGE 15-COMT/ROW 2-ROWS	28480	1251-2035
A1A11XA6-2	1251-2026	8		CONNECTOR-PC EDGE 18-COMT/ROW 2-ROWS	28480	1251-2026
A1A11XA7-1	1251-2035	9		CONNECTOR-PC EDGE 15-COMT/ROW 2-ROWS	28480	1251-2035
A1A11XA7-2	1251-2026	8		CONNECTOR-PC EDGE 18-COMT/ROW 2-ROWS	28480	1251-2026
A1A11XA8-1	1251-2035	9		CONNECTOR-PC EDGE 15-COMT/ROW 2-ROWS	28480	1251-2035
A1A11XA8-2	1251-2026	8		CONNECTOR-PC EDGE 18-COMT/ROW 2-ROWS	28480	1251-2026
A1A11XA9-1	1251-2035	9		CONNECTOR-PC EDGE 15-COMT/ROW 2-ROWS	28480	1251-2035
A1A11XA9-2	1251-2026	8		CONNECTOR-PC EDGE 18-COMT/ROW 2-ROWS	28480	1251-2026
A1A12	08660-60190	5	1	BOARD ASSEMBLY, NUMERIC READDUT	28480	08660-60190
A1A12C1	0180-0228	6	1	CAPACITOR-FXD 22UF+-10% 15VDC TA	56289	150D226X9015B2
A1A12C2	0180-1714	7		CAPACITOR-FXD 330UF+-10% 6VDC TA	56289	150D337X9006B2
A1A12C3	0160-2055	9	18	CAPACITOR-FXD .01UF +-80-20% 100VDC CER	28480	0160-2055
A1A12C4	0160-2055	9		CAPACITOR-FXD .01UF +-80-20% 100VDC CER	28480	0160-2055
A1A12D51	2140-0016	8	4	LAMP-INCAND 683 3VDC 60MA T-1-BULB	0000J	683
A1A12D52	2140-0016	8		LAMP-INCAND 683 3VDC 60MA T-1-BULB	0000J	683
A1A12D53	2140-0016	8		LAMP-INCAND 683 3VDC 60MA T-1-BULB	0000J	683
A1A12D54	2140-0016	8		LAMP-INCAND 683 3VDC 60MA T-1-BULB	0000J	683
A1A12J1	1200-0507	9		SOCKET-IC 16-COMT DIP-6LDR	28480	1200-0507
A1A12J2	1200-0507	9		SOCKET-IC 16-COMT DIP-6LDR	28480	1200-0507
A1A12Q1	1854-0492	6	20	TRANSISTOR NPN 51 PD=350MW FT=250MHZ	04713	MP63643
A1A12Q2	1854-0492	6		TRANSISTOR NPN 51 PD=350MW FT=250MHZ	04713	MP63643
A1A12Q3	1854-0492	6		TRANSISTOR NPN 51 PD=350MW FT=250MHZ	04713	MP63643
A1A12Q4	1854-0492	6		TRANSISTOR NPN 51 PD=350MW FT=250MHZ	04713	MP63643
A1A12Q5	1854-0492	6		TRANSISTOR NPN 51 PD=350MW FT=250MHZ	04713	MP63643
A1A12Q6	1854-0492	6		TRANSISTOR NPN 51 PD=350MW FT=250MHZ	04713	MP63643
A1A12Q7	1854-0492	6		TRANSISTOR NPN 51 PD=350MW FT=250MHZ	04713	MP63643
A1A12Q8	1854-0492	6		TRANSISTOR NPN 51 PD=350MW FT=250MHZ	04713	MP63643
A1A12Q9	1854-0492	6		TRANSISTOR NPN 51 PD=350MW FT=250MHZ	04713	MP63643
A1A12Q10	1854-0492	6		TRANSISTOR NPN 51 PD=350MW FT=250MHZ	04713	MP63643

See introduction to this section for ordering information.
 * Indicates factory selected value.
 † BACKDATING INFORMATION IN SECTION VII

Table 6-3. Replaceable Parts

Reference Designation	HP Part Number	C D	Qty	Description	Mfr Code	Mfr Part Number
A1A12Q11	1854-0492	6		TRANSISTOR NPN SI PD=350MHZ FT=250MHZ	04713	MP53643
A1A12Q12	1854-0492	6		TRANSISTOR NPN SI PD=350MHZ FT=250MHZ	04713	MP53643
A1A12Q13	1854-0492	6		TRANSISTOR NPN SI PD=350MHZ FT=250MHZ	04713	MP53643
A1A12Q14	1854-0492	6		TRANSISTOR NPN SI PD=350MHZ FT=250MHZ	04713	MP53643
A1A12Q15	1854-0492	6		TRANSISTOR NPN SI PD=350MHZ FT=250MHZ	04713	MP53643
A1A12Q16	1854-0492	6		TRANSISTOR NPN SI PD=350MHZ FT=250MHZ	04713	MP53643
A1A12Q17	1854-0492	6		TRANSISTOR NPN SI PD=350MHZ FT=250MHZ	04713	MP53643
A1A12Q18	1854-0492	6		TRANSISTOR NPN SI PD=350MHZ FT=250MHZ	04713	MP53643
A1A12Q19	1854-0492	6		TRANSISTOR NPN SI PD=350MHZ FT=250MHZ	04713	MP53643
A1A12Q20	1854-0492	6		TRANSISTOR NPN SI PD=350MHZ FT=250MHZ	04713	MP53643
A1A12R1	0698-7208	3	4	RESISTOR 68.1 1% .05W F TC=0+-100	24546	C3-1/8-T00-68R1-C
A1A12R2	0698-7208	3		RESISTOR 68.1 1% .05W F TC=0+-100	24546	C3-1/8-T00-68R1-C
A1A12R3	0698-7208	3		RESISTOR 68.1 1% .05W F TC=0+-100	24546	C3-1/8-T00-68R1-C
A1A12R4	0698-7208	3		RESISTOR 68.1 1% .05W F TC=0+-100	24546	C3-1/8-T00-68R1-C
A1A12S1	3101-0137	3		SWITCH-GENS SPDT SUBMIN .5A 28VDC	28480	3101-0137
A1A12S2	3101-0137	3		SWITCH-GENS SPDT SUBMIN .5A 28VDC	28480	3101-0137
A1A12S3	3101-0137	3		SWITCH-GENS SPDT SUBMIN .5A 28VDC	28480	3101-0137
A1A12U1	1820-0571	1	2	IC TTL ROM CHAR GEN STAT	28480	1820-0571
A1A12U2	1820-0571	1		IC TTL ROM CHAR GEN STAT	28480	1820-0571
A1A12U3	1990-0311	6	2	DISPLAY-NUM-DOT MAT 6-CHAR .273-H	28480	1990-0311
A1A12U4	1990-0311	6		DISPLAY-NUM-DOT MAT 6-CHAR .273-H	28480	1990-0311
A1A12U5	1820-1060	5	1	IC SCHM TTL	28480	1820-1060
A1A12XU3	1200-0563	7	2	SOCKET, IC 38-PIN	28480	1200-0563
A1A12XU4	1200-0563	7		SOCKET, IC 38-PIN	28480	1200-0563
	1251-1556	7	1	CONNECTOR-SGL CONT SKT .018-IN-BSC-BZ	28480	1251-1556
A1A13	08660-60159	6	1	BOARD ASSEMBLY, ANNUNCIATOR BLOCK	28480	08660-60159
A1A13TP1	0362-0063	3	6	CONNECTOR-SGL CONT QDISC-FEM	28480	0362-0063
A1A13TP2	0362-0063	3		CONNECTOR-SGL CONT QDISC-FEM	28480	0362-0063
A1A13TP3	0362-0063	3		CONNECTOR-SGL CONT QDISC-FEM	28480	0362-0063
A1A13TP4	0362-0063	3		CONNECTOR-SGL CONT QDISC-FEM	28480	0362-0063
A1A13TP5	0362-0063	3		CONNECTOR-SGL CONT QDISC-FEM	28480	0362-0063
A1A13TP6	0362-0063	3		CONNECTOR-SGL CONT QDISC-FEM	28480	0362-0063
A1A14 †	08660-60356	5	1	SWITCH ASSEMBLY, SWEEP MODE	28480	08660-60356
A1A14J1	1200-0507	9		SOCKET-IC 16-CONT DIP-GLDR	28480	1200-0507
A1A14R1	0757-0438	3		RESISTOR 5.11K 1% .125W F TC=0+-100	24546	C4-1/8-T0-5111-F
A1A14R2	0757-0438	3		RESISTOR 5.11K 1% .125W F TC=0+-100	24546	C4-1/8-T0-5111-F
A1A14R3	0757-0438	3		RESISTOR 5.11K 1% .125W F TC=0+-100	24546	C4-1/8-T0-5111-F
A1A14U1	1820-1202	7		IC GATE TTL LG HAND TPL 3-INP	01295	SN74LS10M
A1A15	08660-60113	2	1	SWITCH ASSEMBLY, KEYBOARD	28480	08660-60113
A1A15J1	1200-0507	9		SOCKET-IC 16-CONT DIP-GLDR	28480	1200-0507
				A1A15 MISCELLANEOUS		
	0570-0831	6	1	SCREW-MACH 4-40 .5-IN-LG RD-HD-BLT	08000	ORDER BY DESCRIPTION
	5040-0364	0	4	UPPER DECK	28480	5040-0364
	5001-0109	9	4	SPRING	28480	5001-0109
	5040-0365	1	4	LOWER DECK	28480	5040-0365
	5040-0366	2	20	FLIPPER	28480	5040-0366
	5040-0367	3	20	ACTUATOR	28480	5040-0367
	5040-6901	3	1	KEY, DEC. POINT	28480	5040-6901
	5040-6902	4	1	KEY NUMBER 1	28480	5040-6902
	5040-6903	5	1	KEY NUMBER 2	28480	5040-6903
	5040-6904	6	1	KEY NUMBER 3	28480	5040-6904
	5040-6905	7	1	KEY NUMBER 4	28480	5040-6905
	5040-6906	8	1	KEY NUMBER 5	28480	5040-6906
	5040-6907	9	1	KEY NUMBER 6	28480	5040-6907
	5040-6908	0	1	KEY NUMBER 7	28480	5040-6908
	5040-6909	1	1	KEY NUMBER 8	28480	5040-6909
	5040-6910	4	1	KEY NUMBER 9	28480	5040-6910
	5040-6911	5	1	KEY NUMBER 0	28480	5040-6911
	5040-6912	6	1	KEY, CLEAR KEYBOARD	28480	5040-6912
	5040-6913	7	1	KEY, STEP UP	28480	5040-6913
	5040-6914	8	1	KEY, STEP DOWN	28480	5040-6914
	5040-6915	9	1	KEY, SWEEP WIDTH	28480	5040-6915
	5040-6916	0	1	KEY, CONTROL FREQUENCY	28480	5040-6916
	5040-6917	1	1	KEY, HZ	28480	5040-6917
	5040-6918	2	1	KEY, MHZ	28480	5040-6918
	5040-6919	3	1	KEY, KHZ	28480	5040-6919
	5040-6920	6	1	KEY, GHZ	28480	5040-6920

See introduction to this section for ordering information.
 *Indicates factory selected value.
 † BACKDATING INFORMATION IN SECTION VII

Table 6-3. Replaceable Parts

Reference Designation	HP Part Number	C D	Qty	Description	Mfr Code	Mfr Part Number
A1A16	08660-60115	4	1	SWITCH ASSEMBLY, MANUAL MODE	28480	08660-60115
A1A16J1	1200-0507 0330-0187	9 5	1	SOCKET-1C 16-CONT DIP-6LDR TAPE-INDL 3-IN-W .0014-IN-T PLOYE-FLM	28480 0148C	1200-0507 PH-50-C
A1A17	5060-0329	9	1	TUNER ASSEMBLY, MANUAL MODE	28480	5060-0329
A2	08660-60020	0	1	BOARD ASSEMBLY, INTERCONNECTION	28480	08660-60020
A2C1	0160-3456	6	28	CAPACITOR-FXD 1000PF +-10% 1KVDC CER	28480	0160-3456
A2C2	0160-3456	6		CAPACITOR-FXD 1000PF +-10% 1KVDC CER	28480	0160-3456
A2C3	0160-3456	6		CAPACITOR-FXD 1000PF +-10% 1KVDC CER	28480	0160-3456
A2C4	0160-3456	6		CAPACITOR-FXD 1000PF +-10% 1KVDC CER	28480	0160-3456
A2C5	0160-3456	6		CAPACITOR-FXD 1000PF +-10% 1KVDC CER	28480	0160-3456
A2C6	0160-3456	6		CAPACITOR-FXD 1000PF +-10% 1KVDC CER	28480	0160-3456
A2C7	0160-3456	6		CAPACITOR-FXD 1000PF +-10% 1KVDC CER	28480	0160-3456
A2C8	0160-3456	6		CAPACITOR-FXD 1000PF +-10% 1KVDC CER	28480	0160-3456
A2C9	0160-2055	9		CAPACITOR-FXD .01UF +80-20% 100VDC CER	28480	0160-2055
A2C10	0160-2055	9		CAPACITOR-FXD .01UF +80-20% 100VDC CER	28480	0160-2055
A2C11	0160-2055	9		CAPACITOR-FXD .01UF +80-20% 100VDC CER	28480	0160-2055
A2C12	0160-2055	9		CAPACITOR-FXD .01UF +80-20% 100VDC CER	28480	0160-2055
A2C13	0160-3456	6		CAPACITOR-FXD 1000PF +-10% 1KVDC CER	28480	0160-3456
A2C14	0160-3456	6		CAPACITOR-FXD 1000PF +-10% 1KVDC CER	28480	0160-3456
A2C15	0160-3456	6		CAPACITOR-FXD 1000PF +-10% 1KVDC CER	28480	0160-3456
A2C16	0160-3456	6		CAPACITOR-FXD 1000PF +-10% 1KVDC CER	28480	0160-3456
A2C17	0160-3456	6		CAPACITOR-FXD 1000PF +-10% 1KVDC CER	28480	0160-3456
A2C18	0160-3456	6		CAPACITOR-FXD 1000PF +-10% 1KVDC CER	28480	0160-3456
A2C19	0160-3456	6		CAPACITOR-FXD 1000PF +-10% 1KVDC CER	28480	0160-3456
A2C20	0160-3456	6		CAPACITOR-FXD 1000PF +-10% 1KVDC CER	28480	0160-3456
A2C21	0160-2055	9	CAPACITOR-FXD .01UF +80-20% 100VDC CER	28480	0160-2055	
A2C22	0160-2055	9	CAPACITOR-FXD .01UF +80-20% 100VDC CER	28480	0160-2055	
A2C23	0160-2055	9	CAPACITOR-FXD .01UF +80-20% 100VDC CER	28480	0160-2055	
A2C24	0160-2055	9	CAPACITOR-FXD .01UF +80-20% 100VDC CER	28480	0160-2055	
A2C25	0160-3456	6	CAPACITOR-FXD 1000PF +-10% 1KVDC CER	28480	0160-3456	
A2C26	0160-3456	6	CAPACITOR-FXD 1000PF +-10% 1KVDC CER	28480	0160-3456	
A2C27	0160-3456	6	CAPACITOR-FXD 1000PF +-10% 1KVDC CER	28480	0160-3456	
A2C28	0160-2055	9	CAPACITOR-FXD .01UF +80-20% 100VDC CER	28480	0160-2055	
A2C29	0160-2055	9	CAPACITOR-FXD .01UF +80-20% 100VDC CER	28480	0160-2055	
A2C30	0160-2055	9	CAPACITOR-FXD .01UF +80-20% 100VDC CER	28480	0160-2055	
A2C31	0160-2055	9	CAPACITOR-FXD .01UF +80-20% 100VDC CER	28480	0160-2055	
A2C32	0160-3456	6	CAPACITOR-FXD 1000PF +-10% 1KVDC CER	28480	0160-3456	
A2C33	0160-3456	6	CAPACITOR-FXD 1000PF +-10% 1KVDC CER	28480	0160-3456	
A2C34	0160-3456	6	CAPACITOR-FXD 1000PF +-10% 1KVDC CER	28480	0160-3456	
A2C35	0160-3456	6	CAPACITOR-FXD 1000PF +-10% 1KVDC CER	28480	0160-3456	
A2C36	0160-3456	6	CAPACITOR-FXD 1000PF +-10% 1KVDC CER	28480	0160-3456	
A2C37	0160-3456	6	CAPACITOR-FXD 1000PF +-10% 1KVDC CER	28480	0160-3456	
A2C38	0160-3456	6	CAPACITOR-FXD 1000PF +-10% 1KVDC CER	28480	0160-3456	
A2C39	0160-3456	6	CAPACITOR-FXD 1000PF +-10% 1KVDC CER	28480	0160-3456	
A2C40	0160-3456	6	CAPACITOR-FXD 1000PF +-10% 1KVDC CER	28480	0160-3456	
A2C41	0160-2055	9	CAPACITOR-FXD .01UF +80-20% 100VDC CER	28480	0160-2055	
A2C42	0160-2055	9	CAPACITOR-FXD .01UF +80-20% 100VDC CER	28480	0160-2055	
A2C43	0160-2055	9	CAPACITOR-FXD .01UF +80-20% 100VDC CER	28480	0160-2055	
A2C44	0160-2055	9	CAPACITOR-FXD .01UF +80-20% 100VDC CER	28480	0160-2055	
A2J1	1250-1255	1	1	CONNECTOR-RF 5MB M PC 50-OHM	28480	1250-1255
A2J2	1250-1255	1	1	CONNECTOR-RF 5MB M PC 50-OHM	28480	1250-1255
A2J3	1250-1255	1	1	CONNECTOR-RF 5MB M PC 50-OHM	28480	1250-1255
A2J4	1250-1255	1	1	CONNECTOR-RF 5MB M PC 50-OHM	28480	1250-1255
A2W1	08660-60083	5	1	CABLE ASSEMBLY, GRAY	28480	08660-60083
A2W2	08660-60080	2	1	CABLE ASSEMBLY, GRAY	28480	08660-60080
A2XA8-1	1251-2035	9	9	CONNECTOR-PC EDGE 15-CONT/ROW 2-ROWS	28480	1251-2035
A2XA8-2	1251-2035	9	9	CONNECTOR-PC EDGE 15-CONT/ROW 2-ROWS	28480	1251-2035
A2XA9-1	1251-2035	9	9	CONNECTOR-PC EDGE 15-CONT/ROW 2-ROWS	28480	1251-2035
A2XA10-1	1251-2035	9	9	CONNECTOR-PC EDGE 15-CONT/ROW 2-ROWS	28480	1251-2035
A2XA10-2	1251-2035	9	9	CONNECTOR-PC EDGE 15-CONT/ROW 2-ROWS	28480	1251-2035
A2XA11-1	1251-2035	9	9	CONNECTOR-PC EDGE 15-CONT/ROW 2-ROWS	28480	1251-2035
A2XA11-2	1251-2035	9	9	CONNECTOR-PC EDGE 15-CONT/ROW 2-ROWS	28480	1251-2035
A2XA12-1	1251-2035	9	9	CONNECTOR-PC EDGE 15-CONT/ROW 2-ROWS	28480	1251-2035
A2XA12-2	1251-2035	9	9	CONNECTOR-PC EDGE 15-CONT/ROW 2-ROWS	28480	1251-2035
A2XA13-1	1251-2035	9	9	CONNECTOR-PC EDGE 15-CONT/ROW 2-ROWS	28480	1251-2035
A2XA13-2	1251-2035	9	9	CONNECTOR-PC EDGE 15-CONT/ROW 2-ROWS	28480	1251-2035
A2XA14-1	1251-2035	9	9	CONNECTOR-PC EDGE 15-CONT/ROW 2-ROWS	28480	1251-2035
A2XA14-2	1251-2035	9	9	CONNECTOR-PC EDGE 15-CONT/ROW 2-ROWS	28480	1251-2035
A2XA15-1	1251-2035	9	9	CONNECTOR-PC EDGE 15-CONT/ROW 2-ROWS	28480	1251-2035
A2XA15-2	1251-2035	9	9	CONNECTOR-PC EDGE 15-CONT/ROW 2-ROWS	28480	1251-2035

See introduction to this section for ordering information
 *Indicates factory selected value

Table 6-3. Replaceable Parts

Reference Designation	HP Part Number	C D	Qty	Description	Mfr Code	Mfr Part Number
A2XA16-1	1251-2035	9		CONNECTOR-PC EDGE 15-CONT/ROW 2-ROWS	28480	1251-2035
A2XA16-2	1251-2035	9		CONNECTOR-PC EDGE 15-CONT/ROW 2-ROWS	28480	1251-2035
A2XA17-1	1251-2035	9		CONNECTOR-PC EDGE 15-CONT/ROW 2-ROWS	28480	1251-2035
A2XA17-2	1251-2035	9		CONNECTOR-PC EDGE 15-CONT/ROW 2-ROWS	28480	1251-2035
A2XA18-1	1251-2035	9		CONNECTOR-PC EDGE 15-CONT/ROW 2-ROWS	28480	1251-2035
A2XA18-2	1251-2035	9		CONNECTOR-PC EDGE 15-CONT/ROW 2-ROWS	28480	1251-2035
A2XA19-1	1251-2035	9		CONNECTOR-PC EDGE 15-CONT/ROW 2-ROWS	28480	1251-2035
A2XA19-2	1251-2035	9		CONNECTOR-PC EDGE 15-CONT/ROW 2-ROWS	28480	1251-2035
A3A1 †	08660-60351	0	1	ASSEMBLY, FRONT INTERFACE (EXCEPT OPT 005)	28480	08660-60351
A3A1C1	0160-0154	5	1	CAPACITOR-FXD 2200PF +-10% 20VDC POLYE	28480	0160-0154
A3A1C2	0180-2208	6	1	CAPACITOR-FXD 220UF+-10% 10VDC TA	56289	150D227X901062
A3A1C3	0180-1746	5	1	CAPACITOR-FXD 15UF+-10% 20VDC TA	56289	150D156X902082
A3A1C4	0180-0373	2	1	CAPACITOR-FXD .68UF+-10% 35VDC TA	56289	150D68X9035A2
A3A1C5	0180-0197	8		CAPACITOR-FXD 2.2UF+-10% 20VDC TA	56289	150D225X9020A2
A3A1C6	0180-0197	8		CAPACITOR-FXD 2.2UF+-10% 20VDC TA	56289	150D225X9020A2
A3A1CR1	1901-0539	3	1	DIODE-6M SIG SCHOTTKY	28480	1901-0539
A3A1CR2	1901-0040	1		DIODE-SWITCHING 30V 50MA 2MS DD-35	28480	1901-0040
A3A1Q1	1853-0020	4		TRANSISTOR PNP GI PD=300MW FT=150MHZ	28480	1853-0020
A3A1Q2	1854-0071	7		TRANSISTOR NPN GI PD=300MW FT=200MHZ	28480	1854-0071
A3A1Q3				NOT ASSIGNED		
A3A1Q4	1854-0071	7		TRANSISTOR NPN GI PD=300MW FT=200MHZ	28480	1854-0071
A3A1R1	0698-3157	3	2	RESISTOR 19.6K 1% .125W F TC=0+-100	24546	CA-1/8-T0-1962-F
A3A1R2	0698-3157	3		RESISTOR 19.6K 1% .125W F TC=0+-100	24546	CA-1/8-T0-1962-F
A3A1R3	0757-0442	9		RESISTOR 10K 1% .125W F TC=0+-100	24546	CA-1/8-T0-1002-F
A3A1R4	0757-0442	9		RESISTOR 10K 1% .125W F TC=0+-100	24546	CA-1/8-T0-1002-F
A3A1R5	0757-0442	9		RESISTOR 10K 1% .125W F TC=0+-100	24546	CA-1/8-T0-1002-F
A3A1R6	0757-0442	9		RESISTOR 10K 1% .125W F TC=0+-100	24546	CA-1/8-T0-1002-F
A3A1R7	0757-0442	9		RESISTOR 10K 1% .125W F TC=0+-100	24546	CA-1/8-T0-1002-F
A3A1R8	0757-0399	5	9	RESISTOR 82.5 1% .125W F TC=0+-100	24546	CA-1/8-T0-82R5-F
A3A1R9	0757-0399	5		RESISTOR 82.5 1% .125W F TC=0+-100	24546	CA-1/8-T0-82R5-F
A3A1R10	0757-0399	5		RESISTOR 82.5 1% .125W F TC=0+-100	24546	CA-1/8-T0-82R5-F
A3A1R11	0757-0399	5		RESISTOR 82.5 1% .125W F TC=0+-100	24546	CA-1/8-T0-82R5-F
A3A1R12	0757-0399	5		RESISTOR 82.5 1% .125W F TC=0+-100	24546	CA-1/8-T0-82R5-F
A3A1R13	0757-0399	5		RESISTOR 82.5 1% .125W F TC=0+-100	24546	CA-1/8-T0-82R5-F
A3A1R14	0757-0399	5		RESISTOR 82.5 1% .125W F TC=0+-100	24546	CA-1/8-T0-82R5-F
A3A1R15	0757-0399	5		RESISTOR 82.5 1% .125W F TC=0+-100	24546	CA-1/8-T0-82R5-F
A3A1R16	0757-0399	5		RESISTOR 82.5 1% .125W F TC=0+-100	24546	CA-1/8-T0-82R5-F
A3A1U1	1820-0174	0		IC INV TTL HEX	01295	6N7404M
A3A1U2	1820-0877	2		IC FF TTL D-TYPE PDS-EDGE-TRIG CLEAR	01295	6N7474M
A3A1U3	1820-0069	2		IC GATE TTL NAND DUAL 4-IMP	01295	6N7420N
A3A1U4	1820-0054	5		IC GATE TTL NAND QUAD 2-IMP	01295	6N7400M
A3A1U5	1820-0328	6		IC GATE TTL NOR QUAD 2-IMP	01295	6N7402N
A3A1U6	1820-0065	8		IC FF TTL J-K PDS-EDGE-TRIG CLEAR	01295	6N7470M
A3A1U7	1820-0207	0	1	IC MV TTL MONDSTBL RETRIG/REBET	04713	HC8601P
A3A1U8	1820-0072	7	2	IC GATE TTL AND-OR-INV DUAL 2-IMP	01295	6N7450M
A3A1U9	1820-0072	7		IC GATE TTL AND-OR-INV DUAL 2-IMP	01295	6N7450M
A3A1U10	1820-0214	9		IC CDCR TTL BCD-TO-DEC 4-TO-10-LINE	01295	6N7442AM
A3A1U11	1820-0328	6		IC GATE TTL NOR QUAD 2-IMP	01295	6N7402M
A3A1U12	1820-1056	9	1	IC SCHMITT-TRIG TTL NAND QUAD 2-IMP	01295	6N74132M
A3A1U13	1820-0328	6		IC GATE TTL NOR QUAD 2-IMP	01295	6N7402N
A3A1XA1	1251-1626	2	2	CONNECTOR-PC EDGE 12-C. NT/ROW 2-ROWS	28480	1251-1626
A3A1XA2	1251-2361	4		CONTACT-CONN U/W-POST-TYPE MALE DP6LDR	28480	1251-2361
A3A1XA3	1251-2663	7	2	CONNECTOR-PC EDGE 18-CONT/ROW 2-ROWS	28480	1251-2663
A3A1XA4	1251-1626	2		CONNECTOR-PC EDGE 12-CONT/ROW 2-ROWS	28480	1251-1626
A3A1XA5	1251-2663	9		CONNECTOR-PC EDGE 18-CONT/ROW 2-ROWS	28480	1251-2663
				A3A1 MISCELLANEOUS		
A3A2 †	1251-2361	4	4	CONTACT-CONN U/W-POST-TYPE MALE DP6LDR	28480	1251-2361
A3A2 †	08660-60029	9	1	BOARD ASSEMBLY, DIGITAL INTERFACE (REAR) (EXCEPT OPTION 005)	28480	08660-60029
A3A2C1	0180-0197	8		CAPACITOR-FXD 2.2UF+-10% 20VDC TA	56289	150D225X9020A2
A3A2C2	0180-0197	8		CAPACITOR-FXD 2.2UF+-10% 20VDC TA	56289	150D225X9020A2
A3A2C3	0180-0197	8		CAPACITOR-FXD 2.2UF+-10% 20VDC TA	56289	150D225X9020A2
A3A2C4	0160-2219	7	1	CAPACITOR-FXD 1100PF +-5% 30VDC NICA	28480	0160-2219
A3A2Q1	1854-0071	7		TRANSISTOR NPN GI PD=300MW FT=200MHZ	28480	1854-0071
A3A2Q2	1854-0071	7		TRANSISTOR NPN GI PD=300MW FT=200MHZ	28480	1854-0071
A3A2R1	0757-0421	4	11	RESISTOR 825 1% .125W F TC=0+-100	24546	CA-1/8-T0-825R-F
A3A2R2	0698-3445	2		RESISTOR 340 1% .125W F TC=0+-100	24546	CA-1/8-T0-340R-F
A3A2R3	0757-0279	0	7	RESISTOR 3.16K 1% .125W F TC=0+-100	24546	CA-1/8-T0-3161-F
A3A2R4	0698-3445	2		RESISTOR 340 1% .125W F TC=0+-100	24546	CA-1/8-T0-340R-F
A3A2R5	0698-3445	2		RESISTOR 340 1% .125W F TC=0+-100	24546	CA-1/8-T0-340R-F

See introduction to this section for ordering information
 † Indicates factory selected value
 † BACKDATING INFORMATION IN SECTION VII

Table 6-3. Replaceable Parts

Reference Designation	HP Part Number	C D	Qty	Description	Mfr Code	Mfr Part Number
A3A2R6	0698-3445	2		RESISTOR 348 1X .125W F TC=0+-100	24546	CA-1/B-T0-348R-F
A3A2R7	0698-3445	2		RESISTOR 348 1X .125W F TC=0+-100	24546	CA-1/B-T0-348R-F
A3A2R8	0757-0279	0		RESISTOR 3.16K 1X .125W F TC=0+-100	24546	CA-1/B-T0-3161-F
A3A2R9	0757-0421	4		RESISTOR 825 1X .125W F TC=0+-100	24546	CA-1/B-T0-825R-F
A3A2R10	0757-0421	4		RESISTOR 825 1X .125W F TC=0+-100	24546	CA-1/B-T0-825R-F
A3A2R11	0757-0421	4		RESISTOR 825 1X .125W F TC=0+-100	24546	CA-1/B-T0-825R-F
A3A2R12	0757-0421	4		RESISTOR 825 1X .125W F TC=0+-100	24546	CA-1/B-T0-825R-F
A3A2R13	0698-3445	2		RESISTOR 348 1X .125W F TC=0+-100	24546	CA-1/B-T0-348R-F
A3A2R14	0698-3445	2		RESISTOR 348 1X .125W F TC=0+-100	24546	CA-1/B-T0-348R-F
A3A2R15	0698-3445	2		RESISTOR 348 1X .125W F TC=0+-100	24546	CA-1/B-T0-348R-F
A3A2R16	0698-3445	2		RESISTOR 348 1X .125W F TC=0+-100	24546	CA-1/B-T0-348R-F
A3A2R17	0757-0421	4		RESISTOR 825 1X .125W F TC=0+-100	24546	CA-1/B-T0-825R-F
A3A2R18	0757-0421	4		RESISTOR 825 1X .125W F TC=0+-100	24546	CA-1/B-T0-825R-F
A3A2R19	0757-0421	4		RESISTOR 825 1X .125W F TC=0+-100	24546	CA-1/B-T0-825R-F
A3A2R20	0757-0421	4		RESISTOR 825 1X .125W F TC=0+-100	24546	CA-1/B-T0-825R-F
A3A2R21	0757-0416	7	1	RESISTOR 511 1X .125W F TC=0+-100	24546	CA-1/B-T0-511R-F
A3A2R22	0757-0279	0		RESISTOR 3.16K 1X .125W F TC=0+-100	24546	CA-1/B-T0-3161-F
A3A2R23	0757-0279	0		RESISTOR 3.16K 1X .125W F TC=0+-100	24546	CA-1/B-T0-3161-F
A3A2R24	0757-0279	0		RESISTOR 3.16K 1X .125W F TC=0+-100	24546	CA-1/B-T0-3161-F
A3A2R25	0757-0421	4		RESISTOR 825 1X .125W F TC=0+-100	24546	CA-1/B-T0-825R-F
A3A2R26	0757-0421	4		RESISTOR 825 1X .125W F TC=0+-100	24546	CA-1/B-T0-825R-F
A3A2R27	0757-0279	0		RESISTOR 3.16K 1X .125W F TC=0+-100	24546	CA-1/B-T0-3161-F
A3A2R28	0757-0279	0		RESISTOR 3.16K 1X .125W F TC=0+-100	24546	CA-1/B-T0-3161-F
A3A2R29	0698-3445	2		RESISTOR 348 1X .125W F TC=0+-100	24546	CA-1/B-T0-348R-F
A3A2R30	0698-3445	2		RESISTOR 348 1X .125W F TC=0+-100	24546	CA-1/B-T0-348R-F
A3A2U1	1820-0354	5		IC GATE TTL NAND QUAD 2-IMP	01295	6N7400N
A3A2U2	1820-0301	5	2	IC LCH TTL D-TYPE 4-BIT	01295	6N7475N
A3A2U3	1820-0256	9		IC BFR DTL NAND QUAD 2-IMP	01295	6N15858N
A3A2U4	1820-0301	5		IC LCH TTL D-TYPE 4-BIT	01295	6N7475N
A3A3	08660-60025	5	1	BOARD ASSEMBLY, DIGITAL INTERCONNECT	28480	08660-60025
A3A3J1	1250-1255	1		CONNECTOR-RF 5MB M PC 50-DHM	28480	1250-1255
A3A3J2	1250-1255	1		CONNECTOR-RF 5MB M PC 50-DHM	28480	1250-1255

See introduction to this section for ordering information
 *Indicates factory selected value

Table 6-3. Replaceable Parts

Reference Designation	HP Part Number	C D	Qty	Description	Mfr Code	Mfr Part Number
A3A1	08660-60366	7	1	OPTION 005 ONLY HP-IB OUTPUT ASSEMBLY	28480	08660-60366
A3A1C1	0180-0197	B	5	CAPACITOR-FXD 2.2UF+-10% 20VDC TA	56289	150D225X9020A2
A3A1C2	0180-0197	B	5	CAPACITOR-FXD 2.2UF+-10% 20VDC TA	56289	150D225X9020A2
A3A1C3	0160-0301	4	1	CAPACITOR-FXD .012UF +-10% 200VDC POLYE	28480	0160-0301
A3A1C4	0180-1745	4	1	CAPACITOR-FXD 1.5UF+-10% 20VDC TA	56289	150D155X9020A2
A3A1C5	0180-1746	5	1	CAPACITOR-FXD 15UF+-10% 20VDC TA	56289	150D156X9020R2
A3A1C6	0180-2888	6	1	CAPACITOR-FXD 220UF+-10% 10VDC TA	56289	150D227X901052
A3A1C7	0160-0572	1	1	CAPACITOR-FXD 2200PF +-20% 100VDC CER	28480	0160-0572
A3A1CR1	1901-0040	1	2	DIODE-SWITCHING 30V 50MA 2N5 DO-35	28480	1901-0040
A3A1CR2	1901-0539	3	1	DIODE-5M 51C SCHOTTKY	28480	1901-0539
A3A1CR3	1901-0040	1	1	DIODE-SWITCHING 30V 50MA 2N5 DO-35	28480	1901-0040
A3A1Q1	1853-0020	4	1	TRANSISTOR PNP 51 PD=300MW FT=150MHZ	28480	1853-0020
A3A1R1	0698-3160	B	1	RESISTOR 31.6K 1% .125W F TC=0+-100	24546	CA-1/B-T0-3162-F
A3A1R2	0757-0442	9	5	RESISTOR 10K 1% .125W F TC=0+-100	24546	CA-1/B-T0-1002-F
A3A1R3	0757-0442	9	9	RESISTOR 10K 1% .125W F TC=0+-100	24546	CA-1/B-T0-1002-F
A3A1R4	0757-0442	9	9	RESISTOR 10K 1% .125W F TC=0+-100	24546	CA-1/B-T0-1002-F
A3A1R5	0757-0442	9	9	RESISTOR 10K 1% .125W F TC=0+-100	24546	CA-1/B-T0-1002-F
A3A1R6	0757-0442	9	9	RESISTOR 10K 1% .125W F TC=0+-100	24546	CA-1/B-T0-1002-F
A3A1R7	0757-0278	9	3	RESISTOR 1.78K 1% .125W F TC=0+-100	24546	CA-1/B-T0-1781-F
A3A1R8	0757-0278	9	5	RESISTOR 1.78K 1% .125W F TC=0+-100	24546	CA-1/B-T0-1781-F
A3A1R9	0757-0399	5	9	RESISTOR 82.5 1% .125W F TC=0+-100	24546	CA-1/B-T0-B2R5-F
A3A1R10	0757-0399	5	5	RESISTOR 82.5 1% .125W F TC=0+-100	24546	CA-1/B-T0-B2R5-F
A3A1R11	0757-0399	5	5	RESISTOR 82.5 1% .125W F TC=0+-100	24546	CA-1/B-T0-B2R5-F
A3A1R12	0757-0399	5	5	RESISTOR 82.5 1% .125W F TC=0+-100	24546	CA-1/B-T0-B2R5-F
A3A1R13	0757-0399	5	5	RESISTOR 82.5 1% .125W F TC=0+-100	24546	CA-1/B-T0-B2R5-F
A3A1R14	0757-0399	5	5	RESISTOR 82.5 1% .125W F TC=0+-100	24546	CA-1/B-T0-B2R5-F
A3A1R15	0757-0399	5	5	RESISTOR 82.5 1% .125W F TC=0+-100	24546	CA-1/B-T0-B2R5-F
A3A1R16	0757-0399	5	5	RESISTOR 82.5 1% .125W F TC=0+-100	24546	CA-1/B-T0-B2R5-F
A3A1R17	0757-0399	5	5	RESISTOR 82.5 1% .125W F TC=0+-100	24546	CA-1/B-T0-B2R5-F
A3A1R18	0698-3447	4	1	RESISTOR 422 1% .125W F TC=0+-100	24546	CA-1/B-T0-422R-F
A3A1U1	1820-0511	9	3	IC GATE TTL AND QUAD 2-INP	01295	SN7408N
A3A1U2	1820-0328	6	1	IC GATE TTL NOR QUAD 2-INP	01295	SN7402N
A3A1U3	1820-0054	5	3	IC GATE TTL NAND QUAD 2-INP	01295	SN7400N
A3A1U4	1820-0214	9	1	IC BCDR TTL BCD-TO-DEC 4-TO-10-LINE	01295	SN7442AN
A3A1U5	1820-0134	2	1	IC SNF-RCR TTL D-TYPE PRL-IN PRL-OUT	07263	9300PC
A3A1U6	1820-0579	9	1	IC MV TTL MONOSTBL RETRIC DUAL	01295	SN74123N
A3A1U7	1820-0076	1	1	IC FF TTL J-K PULSE PRESET/CLEAR DUAL	01295	SN7476N
A3A1U8	1820-0372	0	1	IC GATE TTL H AND TPL 3-INP	01295	SN74H11N
A3A1U9	1820-0054	5	5	IC GATE TTL NAND QUAD 2-INP	01295	SN7400N
A3A1U10	1820-0174	0	3	IC INV TTL HEX	01295	SN7404N
A3A1U11	1820-0065	8	1	IC FF TTL J-K POS-EDGE-TRIG CLEAR	01295	SN7470N
A3A1U12	1820-0535	7	1	IC DRVR TTL AND DUAL 2-INP	01295	SN75451BP
A3A1U13	1820-1056	9	1	IC SCHMITT-TRIG TTL NAND QUAD 2-INP	01295	SN74132N
A3A2	08660-60372	5	1	BOARD ASSY, HP-IB INPUT (OPTION 005 ONLY)	28480	08660-60372
A3A2C1	0180-0197	B	5	CAPACITOR-FXD 2.2UF+-10% 20VDC TA	56289	150D225X9020A2
A3A2C2	0180-0197	B	5	CAPACITOR-FXD 2.2UF+-10% 20VDC TA	56289	150D225X9020A2
A3A2C3	0180-0197	B	5	CAPACITOR-FXD 2.2UF+-10% 20VDC TA	56289	150D225X9020A2
A3A2C4	0160-0157	B	3	CAPACITOR-FXD 4700PF +-10% 200VDC POLYE	28480	0160-0157
A3A2C5	0160-0157	B	3	CAPACITOR-FXD 4700PF +-10% 200VDC POLYE	28480	0160-0157
A3A2C6	0160-0157	B	3	CAPACITOR-FXD 4700PF +-10% 200VDC POLYE	28480	0160-0157
A3A2R1	0757-0278	9	3	RESISTOR 1.78K 1% .125W F TC=0+-100	24546	CA-1/B-T0-1781-F
A3A2R2	1810-0136	3	2	NETWORK-REG 10-GIP MULTI-VALUE	28480	1810-0136
A3A2R3	0757-0403	2	3	RESISTOR 121 1% .125W F TC=0+-100	24546	CA-1/B-T0-121R-F
A3A2R4	0757-0403	2	2	RESISTOR 121 1% .125W F TC=0+-100	24546	CA-1/B-T0-121R-F
A3A2R5	0757-0403	2	2	RESISTOR 121 1% .125W F TC=0+-100	24546	CA-1/B-T0-121R-F
A3A2R6	1810-0136	3	1	NETWORK-REG 10-GIP MULTI-VALUE	28480	1810-0136
A3A2G1	3101-2126	4	1	SWITCH-6L 5-SPDT-N6	28480	3101-2126
A3A2U1	1820-0511	9	3	IC GATE TTL AND QUAD 2-INP	01295	SN7408N
A3A2U2	1820-0054	5	2	IC GATE TTL NAND QUAD 2-INP	01295	SN7400N
A3A2U3	1820-0621	2	1	IC BFR TTL NAND QUAD 2-INP	01295	SN7438N
A3A2U4	1820-0077	2	2	IC FF TTL D-TYPE POS-EDGE-TRIG CLEAR	01295	SN7474N
A3A2U5	1820-0070	5	3	IC GATE TTL NAND 8-INP	01295	SN7430N
A3A2U6	1820-0170	5	3	IC GATE TTL NAND 8-INP	01295	SN7430N
A3A2U7	1820-0174	0	3	IC INV TTL HEX	01295	SN7404N
A3A2U8	1820-1053	8	3	IC SCHMITT-TRIG TTL INV HEX	01295	SN7414N
A3A2U9	1820-0511	9	3	IC GATE TTL AND QUAD 2-INP	01295	SN7408N
A3A2U10	1820-0077	2	2	IC FF TTL D-TYPE POS-EDGE-TRIG CLEAR	01295	SN7474N

See introduction to this section for ordering information
 *Indicates factory selected value
 †BACKDATING INFORMATION IN SECTION VII

Table 6-3. Replaceable Parts

Reference Designation	HP Part Number	C D	Qty	Description	Mfr Code	Mfr Part Number
A3A2U11	1820-0174	0		IC INV TTL HEX	01295	5N7404N
A3A2U12	1820-1053	6		IC SCHMITT-TRIG TTL INV HEX	01295	5N7414N
A3A2U13	1820-0070	5		IC GATE TTL NAND 8-IMP	01295	5N7430N
A3A2U14	1820-1053	6		IC SCHMITT-TRIG TTL INV HEX	01295	5N7414N
J3A1	08660-60187	0	1	CABLE, ADAPTER, HP-IB(INCL, HP1 - HP6)	28480	08660-60187
J3A1MP1	0380-1036	0	2	STANDOFF-HEX .255-IN-LC 6-32TND	00000	ORDER BY DESCRIPTION
J3A1MP2	1251-0483	7	2	CONNECTOR 36-PIN M MICRO RIBBON	28480	1251-0483
J3A1MP3	1251-3283	1	2	CONNECTOR 24-PIN F MICRORIBBON	28480	1251-3283
J3A1MP4	08660-00060	2	2	MOUNT, HP-IB CONNECTOR	28480	08660-00060
J3A1MP5	08660-20165	0	2	COVER, HP-IB ADAPTER	28480	08660-20165
J3A1MP6	08660-20166	1	2	SPACER, CONNECTOR	28480	08660-20166

See introduction to this section for ordering information
 *Indicates factory selected value

Table 6-3. Replaceable Parts

Reference Designation	HP Part Number	C D	Qty	Description	Mfr Code	Mfr Part Number
A4	08660-60042	6	1	LOOP ASSEMBLY, H.F.	28480	08660-60042
A4C1	0160-2437	1	17	CAPACITOR-FDTHRU 5000PF +80 -20% 200V	28480	0160-2437
A4C2	0160-2437	1		CAPACITOR-FDTHRU 5000PF +80 -20% 200V	28480	0160-2437
A4C3	0160-2437	1		CAPACITOR-FDTHRU 5000PF +80 -20% 200V	28480	0160-2437
A4C4	0160-2437	1		CAPACITOR-FDTHRU 5000PF +80 -20% 200V	28480	0160-2437
A4C5	0160-2437	1		CAPACITOR-FDTHRU 5000PF +80 -20% 200V	28480	0160-2437
A4C6	0160-2437	1	6	CAPACITOR-FDTHRU 5000PF +80 -20% 200V	28480	0160-2437
A4C7	0160-2437	1		CAPACITOR-FDTHRU 5000PF +80 -20% 200V	28480	0160-2437
A4C8	0160-2437	1		CAPACITOR-FDTHRU 5000PF +80 -20% 200V	28480	0160-2437
A4C9	0160-3744	5		CAPACITOR-FDTHRU 1000PF +80 -20% 200V	28480	0160-3744
A4C10	0160-2437	1		CAPACITOR-FDTHRU 5000PF +80 -20% 200V	28480	0160-2437
A4C11	0160-3744	5		CAPACITOR-FDTHRU 1000PF +80 -20% 200V	28480	0160-3744
A4C12	0160-2437	1	5	CAPACITOR-FDTHRU 5000PF +80 -20% 200V	28480	0160-2437
A4C13	0160-3744	5		CAPACITOR-FDTHRU 1000PF +80 -20% 200V	28480	0160-3744
A4C14	0160-2437	1		CAPACITOR-FDTHRU 5000PF +80 -20% 200V	28480	0160-2437
A4C15	0160-3744	5		CAPACITOR-FDTHRU 1000PF +80 -20% 200V	28480	0160-3744
A4C16	0160-2437	1		CAPACITOR-FDTHRU 5000PF +80 -20% 200V	28480	0160-2437
A4C17	0160-3744	5	5	CAPACITOR-FDTHRU 1000PF +80 -20% 200V	28480	0160-3744
A4C18	0160-2437	1		CAPACITOR-FDTHRU 5000PF +80 -20% 200V	28480	0160-2437
A4C19	0160-3744	5		CAPACITOR-FDTHRU 1000PF +80 -20% 200V	28480	0160-3744
A4C20	0160-2437	1		CAPACITOR-FDTHRU 5000PF +80 -20% 200V	28480	0160-2437
A4C21	0160-2437	1		CAPACITOR-FDTHRU 5000PF +80 -20% 200V	28480	0160-2437
A4C22	0160-2437	1	1	CAPACITOR-FDTHRU 5000PF +80 -20% 200V	28480	0160-2437
A4C23	0160-2437	1		CAPACITOR-FDTHRU 5000PF +80 -20% 200V	28480	0160-2437
A4J1	1250-0901	2		13	CONNECTOR-RF 5MB M 6CL-HOLE-FR 50-OHM	28480
A4J2	1250-0901	2	CONNECTOR-RF 5MB M 6CL-HOLE-FR 50-OHM		28480	1250-0901
A4J3	1250-0901	2	CONNECTOR-RF 5MB M 6CL-HOLE-FR 50-OHM		28480	1250-0901
A4J4	1250-0901	2	CONNECTOR-RF 5MB M 6CL-HOLE-FR 50-OHM		28480	1250-0901
A4J5	1250-0901	2	CONNECTOR-RF 5MB M 6CL-HOLE-FR 50-OHM		28480	1250-0901
A4J6	1250-0901	2	CONNECTOR-RF 5MB M 6CL-HOLE-FR 50-OHM		28480	1250-0901
A4J7	1250-0901	2	CONNECTOR-RF 5MB M 6CL-HOLE-FR 50-OHM		28480	1250-0901
A4J8	1250-0901	2	CONNECTOR-RF 5MB M 6CL-HOLE-FR 50-OHM		28480	1250-0901
A4J9	1250-0901	2	CONNECTOR-RF 5MB M 6CL-HOLE-FR 50-OHM		28480	1250-0901
A4J10	1250-0901	2	CONNECTOR-RF 5MB M 6CL-HOLE-FR 50-OHM		28480	1250-0901
A4J11	1250-0901	2	CONNECTOR-RF 5MB M 6CL-HOLE-FR 50-OHM (PART OF A4W4)		28480	1250-0901
A4J12	1250-0901	2	CONNECTOR-RF 5MB M 6CL-HOLE-FR 50-OHM		28480	1250-0901
A4J13	1250-0901	2	CONNECTOR-RF 5MB M 6CL-HOLE-FR 50-OHM		28480	1250-0901
A4L1	9140-0144	0	3	INDUCTOR RF-CH-MLD 4.7UH 10% .105DX.26LC	28480	9140-0144
A4M1	08660-60080	2	1	CABLE ASSEMBLY, CRAY	28480	08660-60080
A4M2	08660-60050	6	1	CABLE ASSEMBLY, CRAY	28480	08660-60050
A4M3	08660-60063	1	1	CABLE ASSEMBLY, CRAY	28480	08660-60063
A4M4	08660-60055	1	1	CABLE ASSEMBLY, CRAY	28480	08660-60055
				A4 MISCELLANEOUS		
	08660-00014	5	1	COVER, REF. OSC.	28480	08660-00014
	08660-00015	7	1	COVER, REF. DIVIDER	28480	08660-00015
	08660-00016	8	1	COVER, REF. PHASE DETECTOR	28480	08660-00016
	08660-00017	9	1	COVER, DIVIDE BY TWO	28480	08660-00017
	08660-00018	0	1	COVER, PRETUNE	28480	08660-00018
	08660-00019	1	1	COVER, VCO	28480	08660-00019
	08660-00020	4	1	COVER, PHASE DETECTOR	28480	08660-00020
	08660-20063	7	1	HOUSING, H.F. LP	28480	08660-20063
A4A7	08660-60003	9	1	BOARD ASSEMBLY, REF. DIVIDER	28480	08660-60003
A4A1C1	0160-2201	7	1	CAPACITOR-FXD 51PF +-5% 300VDC MICA	28480	0160-2201
A4A1C2	0180-0116	1	7	CAPACITOR-FXD 6.8UF+-10% 35VDC TA	56289	1500685X9035R2
A4A1C3	0180-0329	7	5	CAPACITOR-FXD 33UF+-10% 10VDC TA	56289	1500336X9010R2
A4A1C4	0160-2199	2	1	CAPACITOR-FXD 30PF +-5% 300VDC MICA	28480	0160-2199
A4A1C5	0160-0154	5	2	CAPACITOR-FXD 2200PF +-10% 200VDC POLYE	28480	0160-0154
A4A1C6	0160-0154	5	1	CAPACITOR-FXD 2200PF +-10% 200VDC POLYE	28480	0160-0154
A4A1C7	0160-0297	7		CAPACITOR-FXD 1200PF +-10% 200VDC POLYE	28480	0160-0297
A4A1CR1	1902-0048	1	1	DIODE-ZNR 6.81V 5% DO-35 PD=.4W	28480	1902-0048
A4A1L1	9100-1642	1	2	INDUCTOR RF-CH-MLD 270UH 5% .2DX.45LC	28480	9100-1642
A4A1L2	9100-1642	1	1	INDUCTOR RF-CH-MLD 270UH 5% .2DX.45LC	28480	9100-1642
A4A1L3	9140-0144	0	0	INDUCTOR RF-CH-MLD 4.7UH 10% .105DX.26LC	28480	9140-0144
A4A1Q1	1854-0019	3	15	TRANSISTOR NPN 5I TO-18 PD=360MW	28480	1854-0019
A4A1Q2	1854-0019	3	3	TRANSISTOR NPN 5I TO-18 PD=360MW	28480	1854-0019
A4A1Q3	1854-0045	5	3	TRANSISTOR NPN 5I TO-18 PD=500MW	28480	1854-0045

See introduction to this section for ordering information
 *Indicates factory selected value
 † BACKDATING INFORMATION IN SECTION VII

Table 6-3. Replaceable Parts

Reference Designation	HP Part Number	C D	Qty	Description	Mfr Code	Mfr Part Number
AA42R11†	0698-3628	3	1	RESISTOR 220 5% 2W HO TC=0+-200	20480	0698-3628
AA42R12	0757-0401	0		RESISTOR 100 1% .125W F TC=0+-100	24546	CA-1/8-T0-101-F
AA42R13	0698-0083	0		RESISTOR 1.9K 1% .125W F TC=0+-100	24546	CA-1/8-T0-1961-F
AA42R14	0757-0280	3		RESISTOR 1K 1% .125W F TC=0+-100	24546	CA-1/8-T0-1001-F
AA42R15	0757-0401	0		RESISTOR 100 1% .125W F TC=0+-100	24546	CA-1/8-T0-101-F
AA42R16	0698-0082	7	15	RESISTOR 464 1% .125W F TC=0+-100	24546	CA-1/8-T0-4640-F
AA42R17	0698-3441	8		RESISTOR 215 1% .125W F TC=0+-100	24546	CA-1/8-T0-215R-F
AA42R18	0698-0084	7	9	RESISTOR 2.15K 1% .125W F TC=0+-100	24546	CA-1/8-T0-2151-F
AA42R19	0757-0280	3		RESISTOR 1K 1% .125W F TC=0+-100	24546	CA-1/8-T0-1001-F
AA42R20	0698-3132	4	9	RESISTOR 261 1% .125W F TC=0+-100	24546	CA-1/8-T0-2610-F
AA42R21	0757-0441	8		RESISTOR 8.25K 1% .125W F TC=0+-100	24546	CA-1/8-T0-8251-F
AA42R22	0757-0441	8		RESISTOR 8.25K 1% .125W F TC=0+-100	24546	CA-1/8-T0-8251-F
AA42R23	0698-3438	3	9	RESISTOR 147 1% .125W F TC=0+-100	24546	CA-1/8-T0-147R-F
AA42R24	0757-0346	2	12	RESISTOR 10 1% .125W F TC=0+-100	24546	CA-1/8-T0-10R0-F
AA42R25	0757-0346	2		RESISTOR 10 1% .125W F TC=0+-100	24546	CA-1/8-T0-10R0-F
AA42R26	0698-3438	3		RESISTOR 147 1% .125W F TC=0+-100	24546	CA-1/8-T0-147R-F
AA42R27	0757-0418	9	6	RESISTOR 619 1% .125W F TC=0+-100	24546	CA-1/8-T0-619R-F
AA42R28	0698-3158	4	2	RESISTOR 23.7K 1% .125W F TC=0+-100	24546	CA-1/8-T0-2372-F
AA42R29	0698-3154	0	6	RESISTOR 4.22K 1% .125W F TC=0+-100	24546	CA-1/8-T0-4221-F
AA42R30	0698-3154	0		RESISTOR 4.22K 1% .125W F TC=0+-100	24546	CA-1/8-T0-4221-F
AA42R31	0757-0442	9		RESISTOR 10K 1% .125W F TC=0+-100	24546	CA-1/8-T0-1002-F
AA42R32	0757-0346	2		RESISTOR 10 1% .125W F TC=0+-100	24546	CA-1/8-T0-10R0-F
AA42R33	0757-0346	2		RESISTOR 10 1% .125W F TC=0+-100	24546	CA-1/8-T0-10R0-F
AA42R34	0698-3453	2	1	RESISTOR 194K 1% .125W F TC=0+-100	24546	CA-1/8-T0-1963-F
AA42R35	0698-3260	9	1	RESISTOR 464K 1% .125W F TC=0+-100	28480	0698-3260
AA42R36	0757-0438	3		RESISTOR 5.11K 1% .125W F TC=0+-100	24546	CA-1/8-T0-5111-F
AA42R37	0757-0290	5	3	RESISTOR 6.19K 1% .125W F TC=0+-100	19701	MF4C1/8-T0-6191-F
AA42R38	0698-3444	1	10	RESISTOR 316 1% .125W F TC=0+-100	24546	CA-1/8-T0-316R-F
AA42R39	0757-0438	3		RESISTOR 5.11K 1% .125W F TC=0+-100	24546	CA-1/8-T0-5111-F
AA42R40	0698-3444	1		RESISTOR 316 1% .125W F TC=0+-100	24546	CA-1/8-T0-316R-F
AA42R41	0757-0280	1	3	RESISTOR 9.89K 1% .125W F TC=0+-100	19701	MF4C1/8-T0-9891-F
AA42R42†	0757-0401	0		RESISTOR 100 1% .125W F TC=0+-100	24546	CA-1/8-T0-101-F
AA42R43	0757-0420	3	3	RESISTOR 750 1% .125W F TC=0+-100	24546	CA-1/8-T0-751-F
AA42R44	0757-0401	0		RESISTOR 100 1% .125W F TC=0+-100	24546	CA-1/8-T0-101-F
AA42R45	0757-0419	0	1	RESISTOR 681 1% .125W F TC=0+-100	24546	CA-1/8-T0-681R-F
AA42R46	0757-0280	3		RESISTOR 1K 1% .125W F TC=0+-100	24546	CA-1/8-T0-1001-F
AA42R47	0698-3446	3	5	RESISTOR 383 1% .125W F TC=0+-100	24546	CA-1/8-T0-383R-F
AA42T1	08660-60369	0	1	TRANSFORMER, RF, GREEN	28480	08660-60369
AA42U1	1820-0370	8	1	IC GATE TTL H NAND QUAD 2-INP	01295	SN74H00N
				AA42 MISCELLANEOUS		
	9170-0029	3	1	CORE-SHIELDING BEAD	28480	9170-0029
AA43	08660-60004	0	1	BOARD ASSEMBLY, REF. DIVIDE BY TWO	28480	08660-60004
AA43C1	0160-2055	9		CAPACITOR-FXD .01UF +80-20% 100VDC CER	28480	0160-2055
AA43C2	0160-2204	0		CAPACITOR-FXD 100PF +-5% 300VDC MICA	20480	0160-2204
AA43C3	0160-2055	9		CAPACITOR-FXD .01UF +80-20% 100VDC CER	28480	0160-2055
AA43C4	0160-2204	0		CAPACITOR-FXD 100PF +-5% 300VDC MICA	20480	0160-2204
AA43C5	0160-2055	9		CAPACITOR-FXD .01UF +80-20% 100VDC CER	28480	0160-2055
AA43C6	0160-2055	9		CAPACITOR-FXD .01UF +80-20% 100VDC CER	28480	0160-2055
AA43C7	0160-2055	9		CAPACITOR-FXD .01UF +80-20% 100VDC CER	28480	0160-2055
AA43C8	0160-2055	9		CAPACITOR-FXD .01UF +80-20% 100VDC CER	28480	0160-2055
AA43C9	0160-2055	9		CAPACITOR-FXD .01UF +80-20% 100VDC CER	28480	0160-2055
AA43C10	0160-2055	9		CAPACITOR-FXD .01UF +80-20% 100VDC CER	28480	0160-2055
AA43C11	0160-0978	1	1	CAPACITOR-FXD 1500PF +-1% 500VDC MICA	28480	0160-0978
AA43C12	0160-2534	9	1	CAPACITOR-FXD 300PF +-1% 300VDC MICA	28480	0160-2534
AA43C13	0160-2055	9		CAPACITOR-FXD .01UF +80-20% 100VDC CER	28480	0160-2055
AA43C14	0160-2055	9		CAPACITOR-FXD .01UF +80-20% 100VDC CER	28480	0160-2055
AA43C15	0160-2204	0		CAPACITOR-FXD 100PF +-5% 300VDC MICA	28480	0160-2204
AA43C16†	0140-0210	2	1	CAPACITOR-FXD 270PF +-5% 300VDC MICA	72136	DM15F271J0300W1CR
AA43C17†	0140-0193	0	1	CAPACITOR-FXD 82PF +-5% 300VDC MICA	72136	DM15E820J0300W1CR
AA43C18	0160-2055	9		CAPACITOR-FXD .01UF +80-20% 100VDC CER	28480	0160-2055
AA43C19†				NOT ASSIGNED		
AA43CR1	1902-0041	4		DIODE-ZNR 5.11V 5% DO-35 PD=.4W	28480	1902-0041
AA43CR2	1901-0025	2	1	DIODE-GEN PRP 100V 200MA DO-7	28480	1901-0025
AA43L1	9100-0348	2	2	INDUCTOR RF-CH-MLD 1UH 1% .166DX.3B5LC	28480	9100-0348
AA43L2	9100-0348	2		INDUCTOR RF-CH-MLD 1UH 1% .166DX.3B5LC	28480	9100-0348
AA43Q1	1854-0019	3		TRANSISTOR NPN 6I TO-18 PD=360MW	28480	1854-0019
AA43Q2	1854-0019	3		TRANSISTOR NPN 6I TO-18 PD=360MW	28480	1854-0019
AA43Q3	1854-0019	3		TRANSISTOR NPN 6I TO-18 PD=360MW	28480	1854-0019
AA43Q4	1854-0019	3		TRANSISTOR NPN 6I TO-18 PD=360MW	28480	1854-0019
AA43Q5	1854-0345	8	6	TRANSISTOR NPN 2N5179 6I TO-72 PD=200MW	04713	2N5179

See introduction to this section for ordering information
 † Indicates factory selected value
 † BACKDATING INFORMATION IN SECTION VII

Table 6-3. Replaceable Parts

Reference Designation	HP Part Number	C D	Qty	Description	Mfr Code	Mfr. Part Number
A4A3R1	0757-0401	0	1	REGISTOR 100 1X .125W F TC=0+-100	24546	CA-1/B-T0-101-F
A4A3R2	0757-0444	1		REGISTOR 12.1K 1X .125W F TC=0+-100	24546	CA-1/B-T0-1212-F
A4A3R3	0757-0441	8		REGISTOR 8.25K 1X .125W F TC=0+-100	24546	CA-1/B-T0-B251-F
A4A3R4	0757-0814	9		REGISTOR 511 1X .5W F TC=0+-100	28480	0757-0814
A4A3R5	0757-0416	7		REGISTOR 511 1X .125W F TC=0+-100	24546	CA-1/B-T0-511R-F
A4A3R6	0757-0420	3	2	REGISTOR 750 1X .125W F TC=0+-100	24546	CA-1/B-T0-751-F
A4A3R7	0757-0280	3		REGISTOR 1K 1X .125W F TC=0+-100	24546	CA-1/B-T0-1001-F
A4A3R8	0698-0084	9		REGISTOR 2.15K 1X .125W F TC=0+-100	24546	CA-1/B-T0-2151-F
A4A3R9	0757-0416	9		REGISTOR 511 1X .125W F TC=0+-100	24546	CA-1/B-T0-511R-F
A4A3R10	0698-3434	7		REGISTOR 34.8 1X .125W F TC=0+-100	24546	CA-1/B-T0-348R-F
A4A3R11	0757-0401	0	10	REGISTOR 100 1X .125W F TC=0+-100	24546	CA-1/B-T0-101-F
A4A3R12	0757-0444	1		REGISTOR 12.1K 1X .125W F TC=0+-100	24546	CA-1/B-T0-1212-F
A4A3R13	0757-0442	9		REGISTOR 10K 1X .125W F TC=0+-100	24546	CA-1/B-T0-1002-F
A4A3R14	0757-0394	0		REGISTOR 511.1 1X .125W F TC=0+-100	24546	CA-1/B-T0-511R1-F
A4A3R15	0757-0421	4		REGISTOR 825 1X .125W F TC=0+-100	24546	CA-1/B-T0-B25R-F
A4A3R16	0698-3429	2	1	REGISTOR 19.6 1X .125W F TC=0+-100	03888	PME55-1/B-T0-19R6-F
A4A3R17	0757-0401	0		REGISTOR 100 1X .125W F TC=0+-100	24546	CA-1/B-T0-101-F
A4A3R18	0757-0444	1		REGISTOR 12.1K 1X .125W F TC=0+-100	24546	CA-1/B-T0-1212-F
A4A3R19	0757-0442	9		REGISTOR 10K 1X .125W F TC=0+-100	24546	CA-1/B-T0-1002-F
A4A3R20	0698-3440	7		REGISTOR 196 1X .125W F TC=0+-100	24546	CA-1/B-T0-196R-F
A4A3R21	0757-0418	9	5	REGISTOR 619 1X .125W F TC=0+-100	24546	CA-1/B-T0-619R-F
A4A3R22	0757-0401	0		REGISTOR 100 1X .125W F TC=0+-100	24546	CA-1/B-T0-101-F
A4A3R23	0757-0444	1		REGISTOR 12.1K 1X .125W F TC=0+-100	24546	CA-1/B-T0-1212-F
A4A3R24	0757-0441	8		REGISTOR 8.25K 1X .125W F TC=0+-100	24546	CA-1/B-T0-B251-F
A4A3R25	0757-0397	3		REGISTOR 68.1 1X .125W F TC=0+-100	24546	CA-1/B-T0-68R1-F
A4A3R26	0757-0418	9	REGISTOR 619 1X .125W F TC=0+-100	24546	CA-1/B-T0-619R-F	
A4A3U1	1820-0469	6	2	IC FT/TTL H J-K NEG-EDGE-TRIC	01295	6M74H102M
A4A4	08660-60001	7	1	BOARD ASSEMBLY, REF. VCD	28480	08660-60001
A4A4C1	0160-3456	6	1	CAPACITOR-FXD 1000PF +-10% 1KVDC CER	28480	0160-3456
A4A4C2	0121-0451	3		CAPACITOR-V TRMR-AIR 1.7-11PF 175V	74970	187-0106-028
A4A4C3	0160-0116	1		CAPACITOR-FXD 6.8UF+-10% 35VDC TA	56289	150D685X9035B2
A4A4C4	0160-0228	6		CAPACITOR-FXD 22UF+-10% 15VDC TA	56289	150D226X9015B2
A4A4C5	0160-0214	8		CAPACITOR-FXD 10PF +-5% 500VDC CER	28480	0160-0214
A4A4C6	0160-2256	4	10	CAPACITOR-FXD 24PF +-5% 500VDC CER D+-30	28480	0160-2266
A4A4C7	0160-0116	1		CAPACITOR-FXD 6.8UF+-10% 35VDC TA	56289	150D685X9035B2
A4A4C8	0160-2055	9		CAPACITOR-FXD .01UF +80-20% 100VDC CER	28480	0160-2055
A4A4C9	0160-2055	9		CAPACITOR-FXD .01UF +80-20% 100VDC CER	28480	0160-2055
A4A4C10*	0160-2197	0		CAPACITOR-FXD 10PF +-5% 300VDC MICA	28480	0160-2197
A4A4C11	0160-0190	7	4	CAPACITOR-FXD 39PF +-5% 300VDC MICA	72136	DM15E390J0300WV1CR
A4A4C12	0160-0228	6		CAPACITOR-FXD 22UF+-10% 15VDC TA	56289	150D226X9015B2
A4A4C13	0160-2055	9		CAPACITOR-FXD .01UF +80-20% 100VDC CER	28480	0160-2055
A4A4C14	0160-2055	9		CAPACITOR-FXD .01UF +80-20% 100VDC CER	28480	0160-2055
A4A4C15	0160-2055	9		CAPACITOR-FXD .01UF +80-20% 100VDC CER	28480	0160-2055
A4A4C16	0160-2055	9	1	CAPACITOR-FXD .01UF +80-20% 100VDC CER	28480	0160-2055
A4A4C17	0121-0446	2		CAPACITOR-V TRMR-CER 9-35PF 200V PC-MTG	52763	304322 9/35PF M650
A4A4C18	0160-3879	7		CAPACITOR-FXD .01UF +-20% 100VDC CER	28480	0160-3879
A4A4C19	0160-2327	8		CAPACITOR-FXD 1000PF +-20% 100VDC CER	51642	150-110-X5R-102M
A4A4C20	0160-0190	7		CAPACITOR-FXD 39PF +-5% 300VDC MICA	72136	DM15E390J0300WV1CR
A4A4C21	0160-0190	7	1	CAPACITOR-FXD 39PF +-5% 300VDC MICA	72136	DM15E390J0300WV1CR
A4A4C22	0160-2055	9		CAPACITOR-FXD .01UF +80-20% 100VDC CER	28480	0160-2055
A4A4C23	0121-0451	3		CAPACITOR-V TRMR-AIR 1.7-11PF 175V	74970	187-0106-028
A4A4C24	0160-2327	8		CAPACITOR-FXD 1000PF +-20% 100VDC CER	51642	150-110-X5R-102M
A4A4C25	0160-2055	9		CAPACITOR-FXD .01UF +80-20% 100VDC CER	28480	0160-2055
A4A4C26	0160-2055	9	1	CAPACITOR-FXD .01UF +80-20% 100VDC CER	28480	0160-2055
A4A4C27	0160-2055	9		CAPACITOR-FXD .01UF +80-20% 100VDC CER	28480	0160-2055
A4A4C28	0160-2055	9		CAPACITOR-FXD .01UF +80-20% 100VDC CER	28480	0160-2055
A4A4C29	0160-2055	9		CAPACITOR-FXD .01UF +80-20% 100VDC CER	28480	0160-2055
A4A4C30	0160-2055	9		CAPACITOR-FXD .01UF +80-20% 100VDC CER	28480	0160-2055
A4A4C31	0121-0451	3	1	CAPACITOR-V TRMR-AIR 1.7-11PF 175V	74970	187-0106-028
A4A4C32	0160-2327	8		CAPACITOR-FXD 1000PF +-20% 100VDC CER	51642	150-110-X5R-102M
A4A4C33	0160-2055	9		CAPACITOR-FXD .01UF +80-20% 100VDC CER	28480	0160-2055
A4A4C34	0160-2055	9		CAPACITOR-FXD .01UF +80-20% 100VDC CER	28480	0160-2055
A4A4C35	0160-0190	7		CAPACITOR-FXD 39PF +-5% 300VDC MICA	72136	DM15E390J0300WV1CR
A4A4C36	0160-2307	4	1	CAPACITOR-FXD 47PF +-5% 300VDC MICA	28480	0160-2307
A4A4C37	0160-2055	9		CAPACITOR-FXD .01UF +80-20% 100VDC CER	28480	0160-2055
A4A4C38	0160-2205	1		CAPACITOR-FXD 120PF +-5% 300VDC MICA	28480	0160-2205
A4A4C39	0160-2205	1		CAPACITOR-FXD 120PF +-5% 300VDC MICA	28480	0160-2205
A4A4C40	0160-2055	9		CAPACITOR-FXD .01UF +80-20% 100VDC CER	28480	0160-2055
A4A4C41	0121-0448	8	1	CAPACITOR-V TRMR-CER 2.5-2PF 63V PC-MTG	28480	0121-0448
A4A4CR1	0122-0287	5	1	DIODE-VVC 10PF 5% C2/C20-MIN=2 BVR=20V	28480	0122-0287
A4A4CR2	1902-0041	4		DIODE-ZNR 5.11V 5% D0-35 PD=.4W	28480	1902-0041

See introduction to this section for ordering information
 *Indicates factory selected value
 † BACKDATING INFORMATION IN SECTION VII

Table 6-3. Replaceable Parts

Reference Designation	HP Part Number	C D	Qty	Description	Mfr Code	Mfr Part Number
AAA4L1	9100-1623	B	1	INDUCTOR RF-CH-MLD 27UH 5X .166DX.385LC	28480	9100-1623
AAA4L2	9100-1629	A	1	INDUCTOR RF-CH-MLD 47UH 5X .166DX.385LC	28480	9100-1629
AAA4L3	9100-1629	A	1	INDUCTOR RF-CH-MLD 47UH 5X .166DX.385LC	28480	9100-1629
AAA4L4	08660-80002	0	1	INDUCTOR	28480	08660-80002
AAA4L5	08660-80009	7	3	INDUCTOR	28480	08660-80009
AAA4L6	9100-2247	A	3	INDUCTOR RF-CH-MLD 100NH 10Z .105DX.26LC	28480	9100-2247
AAA4L7	9100-2247	A	1	INDUCTOR RF-CH-MLD 100NH 10Z .105DX.26LC	28480	9100-2247
AAA4L8				PART OF PRINTED CIRCUIT BOARD		
AAA4L9				PART OF PRINTED CIRCUIT BOARD		
AAA4L10	9100-2247	A	1	INDUCTOR RF-CH-MLD 100NH 10Z .105DX.26LC	28480	9100-2247
AAA4L11	9140-0158	6	1	INDUCTOR RF-CH-MLD 1UH 10Z .105DX.26LC	28480	9140-0158
AAA4L12	9100-2254	3	2	INDUCTOR RF-CH-MLD 390NH 10Z .105DX.26LC	28480	9100-2254
AAA4Q1	1854-0019	3	1	TRANSISTOR NPN 6I TO-18 PD=360MW	28480	1854-0019
AAA4Q2	1854-0345	8	1	TRANSISTOR NPN 2N5179 6I TO-72 PD=200MW	04713	2N5179
AAA4Q3	1854-0345	8	1	TRANSISTOR NPN 2N5179 6I TO-72 PD=200MW	04713	2N5179
AAA4Q4	1854-0431	3	4	TRANSISTOR NPN 2N5179 6I TO-72 PD=200MW	0192B	2N5179
AAA4Q5	1854-0540	5	6	TRANSISTOR NPN 6I TO-72 PD=200MW FT=1GHZ	04713	MHB006
AAA4Q6	1854-0540	5	1	TRANSISTOR NPN 6I TO-72 PD=200MW FT=1GHZ	04713	MHB006
AAA4Q7	1854-0540	5	1	TRANSISTOR NPN 6I TO-72 PD=200MW FT=1GHZ	04713	MHB006
AAA4Q8	1854-0431	3	1	TRANSISTOR NPN 2N5179 6I TO-72 PD=200MW	0192B	2N5179
AAA4Q9	1854-0404	0	1	TRANSISTOR NPN 6I TO-18 PD=360MW	28480	1854-0404
AAA4R1	0757-0442	9	1	RESISTOR 10K 1Z .125W F TC=0+-100	24546	CA-1/B-TD-1002-F
AAA4R2	0757-0401	0	1	RESISTOR 100 1Z .125W F TC=0+-100	24546	CA-1/B-TD-101-F
AAA4R3	0757-0418	9	1	RESISTOR 619 1Z .125W F TC=0+-100	24546	CA-1/B-TD-619R-F
AAA4R4	0757-0394	0	1	RESISTOR 51.1 1Z .125W F TC=0+-100	24546	CA-1/B-TD-51R1-F
AAA4R5	0757-0416	7	1	RESISTOR 511 1Z .125W F TC=0+-100	24546	CA-1/B-TD-511R-F
AAA4R6	0757-0394	0	1	RESISTOR 51.1 1Z .125W F TC=0+-100	24546	CA-1/B-TD-51R1-F
AAA4R7	0698-0082	7	1	RESISTOR 464 1Z .125W F TC=0+-100	24546	CA-1/B-TD-464D-F
AAA4R8	0757-0278	9	3	RESISTOR 1.78K 1Z .125W F TC=0+-100	24546	CA-1/B-TD-1781-F
AAA4R9	0757-0441	8	1	RESISTOR 8.25K 1Z .125W F TC=0+-100	24546	CA-1/B-TD-8251-F
AAA4R10	0698-3153	9	4	RESISTOR 3.83K 1Z .125W F TC=0+-100	24546	CA-1/B-TD-3831-F
AAA4R11	0757-0442	9	1	RESISTOR 10K 1Z .125W F TC=0+-100	24546	CA-1/B-TD-1002-F
AAA4R12	0757-0442	9	1	RESISTOR 10K 1Z .125W F TC=0+-100	24546	CA-1/B-TD-1002-F
AAA4R13	0698-3448	7	1	RESISTOR 196 1Z .125W F TC=0+-100	24546	CA-1/B-TD-196R-F
AAA4R14	0698-0083	8	1	RESISTOR 1.96K 1Z .125W F TC=0+-100	24546	CA-1/B-TD-1961-F
AAA4R15	0757-0422	5	2	RESISTOR 909 1Z .125W F TC=0+-100	24546	CA-1/B-TD-909R-F
AAA4R16	0757-0401	0	1	RESISTOR 100 1Z .125W F TC=0+-100	24546	CA-1/B-TD-101-F
AAA4R17	0757-1094	9	8	RESISTOR 1.47K 1Z .125W F TC=0+-100	24546	CA-1/B-TD-1471-F
AAA4R18	0698-3434	9	1	RESISTOR 34.8 1Z .125W F TC=0+-100	24546	CA-1/B-TD-348B-F
AAA4R19	0757-0398	4	3	RESISTOR 75 1Z .125W F TC=0+-100	24546	CA-1/B-TD-75R0-F
AAA4R20	0764-0033	9	1	RESISTOR 33 5Z 2W MO TC=0+-200	28480	0764-0033
AAA4R21	0757-0441	8	1	RESISTOR 8.25K 1Z .125W F TC=0+-100	24546	CA-1/B-TD-8251-F
AAA4R22	0698-3153	9	1	RESISTOR 3.83K 1Z .125W F TC=0+-100	24546	CA-1/B-TD-3831-F
AAA4R23	0698-3440	7	1	RESISTOR 196 1Z .125W F TC=0+-100	24546	CA-1/B-TD-196R-F
AAA4R24	0757-0441	8	1	RESISTOR 8.25K 1Z .125W F TC=0+-100	24546	CA-1/B-TD-8251-F
AAA4R25	0698-3153	9	1	RESISTOR 3.83K 1Z .125W F TC=0+-100	24546	CA-1/B-TD-3831-F
AAA4R26	0757-0394	0	1	RESISTOR 51.1 1Z .125W F TC=0+-100	24546	CA-1/B-TD-51R1-F
AAA4R27	0698-3155	1	10	RESISTOR 4.64K 1Z .125W F TC=0+-100	24546	CA-1/B-TD-4641-F
AAA4R28	0698-3155	1	1	RESISTOR 4.64K 1Z .125W F TC=0+-100	24546	CA-1/B-TD-4641-F
AAA4R29*	0698-7212	9	1	RESISTOR 100 1Z .05W F TC=0+-100	24546	C3-1/B-TD-100R-C
AAA4R30	0757-0401	0	1	RESISTOR 100 1Z .125W F TC=0+-100	24546	CA-1/B-TD-101-F
AAA4R31	0757-0422	5	1	RESISTOR 909 1Z .125W F TC=0+-100	24546	CA-1/B-TD-909R-F
AAA4R32	0698-7193	7	1	RESISTOR 19.6 1Z .05W F TC=0+-100	24546	C3-1/B-TD-196B-C
AAA4U1	1820-0714	4	1	IC PRESCR ECL	28480	1820-0714
				AAA4 MISCELLANEOUS		
	08660-20181	0	1	COIL FORM	28480	08660-20181
AAA5	08660-60005	1	1	BOARD ASSEMBLY, VCO & AMPLIFIERS	28480	08660-60005
AAA5C1	0160-3878	6	19	CAPACITOR-FXD 1000PF +-20% 100VDC CER	28480	0160-3878
AAA5C2	0160-3878	6	1	CAPACITOR-FXD 1000PF +-20% 100VDC CER	28480	0160-3878
AAA5C3	0121-0452	4	2	CAPACITOR-V TMMR-AIR 1.3-5.4PF 175V	74978	187-0103-02B
AAA5C4	0160-3878	6	1	CAPACITOR-FXD 1000PF +-20% 100VDC CER	28480	0160-3878
AAA5C5	0160-3878	6	1	CAPACITOR-FXD 1000PF +-20% 100VDC CER	28480	0160-3878
AAA5C6	0160-2250	6	2	CAPACITOR-FXD 5.1PF +-25PF 500VDC CER	28480	0160-2250
AAA5C7	0160-2266	4	1	CAPACITOR-FXD 24PF +-5% 500VDC CER 0+-30	28480	0160-2266
AAA5C8	0160-2266	4	1	CAPACITOR-FXD 24PF +-5% 500VDC CER 0+-30	28480	0160-2266
AAA5C9	0160-3878	6	1	CAPACITOR-FXD 1000PF +-20% 100VDC CER	28480	0160-3878
AAA5C10	0160-3878	6	1	CAPACITOR-FXD 1000PF +-20% 100VDC CER	28480	0160-3878
AAA5C11	0160-3878	6	1	CAPACITOR-FXD 1000PF +-20% 100VDC CER	28480	0160-3878
AAA5C12	0160-3878	6	1	CAPACITOR-FXD 1000PF +-20% 100VDC CER	28480	0160-3878
AAA5C13*	0160-2266	4	1	CAPACITOR-FXD 24PF +-5% 500VDC CER 0+-30	28480	0160-2266
AAA5C14*	0160-2266	4	1	CAPACITOR-FXD 24PF +-5% 500VDC CER 0+-30	28480	0160-2266
AAA5C15	0160-3878	6	1	CAPACITOR-FXD 1000PF +-20% 100VDC CER	28480	0160-3878

See introduction to this section for ordering information
 *Indicates factory selected value

Table 6-3. Replaceable Parts

Reference Designation	HP Part Number	C D	Qty	Description	Mfr Code	Mfr Part Number
A4ASC16†	0160-8576	5	2	CAPACITOR-FXD .1UF +-20% 50VDC CER	28480	0160-0576
A4ASC17	0160-3878	6		CAPACITOR-FXD 1000PF +-20% 100VDC CER	28480	0160-3878
A4ASC18	0160-3878	6		CAPACITOR-FXD 1000PF +-20% 100VDC CER	28480	0160-3878
A4ASC19*	0160-2266	4		CAPACITOR-FXD 24PF +-5% 500VDC CER 0+-30	28480	0160-2266
A4ASC21	0160-2266	4		CAPACITOR-FXD 24PF +-5% 500VDC CER 0+-30	28480	0160-2266
A4ASC21	0160-3878	6		CAPACITOR-FXD 1000PF +-20% 100VDC CER	28480	0160-3878
A4ASC22†	0160-0576	5		CAPACITOR-FXD .1UF +-20% 50VDC CER	28480	0160-0576
A4ASC23	0160-3878	6		CAPACITOR-FXD 1000PF +-20% 100VDC CER	28480	0160-3878
A4ASC24	0160-3878	6		CAPACITOR-FXD 1000PF +-20% 100VDC CER	28480	0160-3878
A4ASCR1	0122-0248	8	1	DIODE-VVC 1N5140A 10PF 5% CA/C60-MIN-2.8	01261	1N5140A
A4ASCR2	1981-1034	5	1	DIODE-BT815TDR 90V DO-34	03508	MPD400
A4ASF1	08660-20038	6	1	FILTER, L.P. 600 MHZ	28480	08660-20038
A4ASF2†	08660-20370	9	1	FILTER, HP 300MHZ	28480	08660-20370
A4ASL1	9100-2250	9	6	PART OF PRINTED CIRCUIT BOARD	28480	9100-2250
A4ASL2	08660-80006	4	4	INDUCTOR RF-CH-MLD 180MH 10% .105DX.26LG	28480	08660-80006
A4ASL3	08660-80006	4		INDUCTOR	28480	08660-80006
A4ASL4	08660-80006	4		INDUCTOR	28480	08660-80006
A4ASL5	9100-2250	9		INDUCTOR RF-CH-MLD 180MH 10% .105DX.26LG	28480	9100-2250
A4ASL6	9100-2250	9		INDUCTOR RF-CH-MLD 180MH 10% .105DX.26LG	28480	9100-2250
A4ASL7	08660-80006	4		INDUCTOR	28480	08660-80006
A4ASL8	08660-80006	4		INDUCTOR	28480	08660-80006
A4ASL9	9100-2250	9		INDUCTOR RF-CH-MLD 180MH 10% .105DX.26LG	28480	9100-2250
A4ASL10†	9140-0143	9	1	INDUCTOR RF-CH-MLD 3.3UH 10% .105DX.26LG	28480	9140-0143
A4ASL11	08660-80009	7		INDUCTOR	28480	08660-80009
A4ASL12	08660-80009	7		INDUCTOR	28480	08660-80009
A4ASL13	9100-2250	9		INDUCTOR RF-CH-MLD 180MH 10% .105DX.26LG	28480	9100-2250
A4ASL14	9100-2250	9		INDUCTOR RF-CH-MLD 180MH 10% .105DX.26LG	28480	9100-2250
A4ASQ1	1854-0431	3		TRANSISTOR NPN 2N5179 BI TO-72 PD=200MW	01928	2N5179
A4ASQ2	1854-0540	5		TRANSISTOR NPN BI TO-72 PD=200MW FT=1GHZ	04713	MHB006
A4ASQ3	1854-0540	5		TRANSISTOR NPN BI TO-72 PD=200MW FT=1GHZ	04713	MHB006
A4ASQ4	1854-0540	5		TRANSISTOR NPN BI TO-72 PD=200MW FT=1GHZ	04713	MHB006
A4ASQ5	1854-0540	5		TRANSISTOR NPN BI TO-72 PD=200MW FT=1GHZ	04713	MHB006
A4ASQ6	1854-0540	5		TRANSISTOR NPN BI TO-72 PD=200MW FT=1GHZ	04713	MHB006
A4ASQ7	1854-0431	3		TRANSISTOR NPN 2N5179 BI TO-72 PD=200MW	01928	2N5179
A4ASR1	0698-0084	9		RESISTOR 2.15K 1% .125W F TC=0+-100	24546	CA-1/8-TD-2151-F
A4ASR2	0698-0084	9		RESISTOR 2.15K 1% .125W F TC=0+-100	24546	CA-1/8-TD-2151-F
A4ASR3	0757-0279	3		RESISTOR 1K 1% .125W F TC=0+-100	24546	CA-1/8-TD-10D1-F
A4ASR4	0757-1694	9		RESISTOR 1.47K 1% .125W F TC=0+-100	24546	CA-1/8-TD-1471-F
A4ASR5	0698-7285	9	2	RESISTOR 51.1 1% .05W F TC=0+-100	24546	C3-1/8-TD-51R1-G
A4ASR6	0757-0346	2		RESISTOR 10 1% .125W F TC=0+-100	24546	CA-1/8-TD-10R0-F
A4ASR7	0698-7285	0		RESISTOR 51.1 1% .05W F TC=0+-100	24546	C3-1/8-TD-51R1-G
A4ASR8	0757-0346	2		RESISTOR 10 1% .125W F TC=0+-100	24546	CA-1/8-TD-10R0-F
A4ASR9	0757-0416	7		RESISTOR 511 1% .125W F TC=0+-100	24546	CA-1/8-TD-511R-F
A4ASR10	0757-0416	7		RESISTOR 511 1% .125W F TC=0+-100	24546	CA-1/8-TD-511R-F
A4ASR11	0757-0439	4	20	RESISTOR 6.81K 1% .125W F TC=0+-100	24546	CA-1/8-TD-6811-F
A4ASR12	0757-0279	0	17	RESISTOR 3.16K 1% .125W F TC=0+-100	24546	CA-1/8-TD-3161-F
A4ASR13	0757-0439	4		RESISTOR 6.81K 1% .125W F TC=0+-100	24546	CA-1/8-TD-6811-F
A4ASR14	0757-0279	0		RESISTOR 3.16K 1% .125W F TC=0+-100	24546	CA-1/8-TD-3161-F
A4ASR15	0698-3442	9	8	RESISTOR 237 1% .125W F TC=0+-100	24546	CA-1/8-TD-237R-F
A4ASR16	0698-3442	9		RESISTOR 237 1% .125W F TC=0+-100	24546	CA-1/8-TD-237R-F
A4ASR17	0698-3428	1	4	RESISTOR 14.7 1% .125W F TC=0+-100	03888	PME55-1/8-TD-14R7-F
A4ASR18	0698-3445	2	11	RESISTOR 340 1% .125W F TC=0+-100	24546	CA-1/8-TD-348R-F
A4ASR19	0698-3428	1		RESISTOR 14.7 1% .125W F TC=0+-100	03888	PME55-1/8-TD-14R7-F
A4ASR20	0698-3445	2		RESISTOR 348 1% .125W F TC=0+-100	24546	CA-1/8-TD-348R-F
A4ASR21	0757-0439	4		RESISTOR 6.81K 1% .125W F TC=0+-100	24546	CA-1/8-TD-6811-F
A4ASR22	0757-0279	0		RESISTOR 3.16K 1% .125W F TC=0+-100	24546	CA-1/8-TD-3161-F
A4ASR23	0757-0439	4		RESISTOR 6.81K 1% .125W F TC=0+-100	24546	CA-1/8-TD-6811-F
A4ASR24	0757-0279	0		RESISTOR 3.16K 1% .125W F TC=0+-100	24546	CA-1/8-TD-3161-F
A4ASR25	0698-3440	7		RESISTOR 196 1% .125W F TC=0+-100	24546	CA-1/8-TD-196R-F
A4ASR26	0698-3440	7		RESISTOR 196 1% .125W F TC=0+-100	24546	CA-1/8-TD-196R-F
A4ASR27	0698-3428	1		RESISTOR 14.7 1% .125W F TC=0+-100	03888	PME55-1/8-TD-14R7-F
A4ASR28	0698-3444	1		RESISTOR 316 1% .125W F TC=0+-100	24546	CA-1/8-TD-316R-F
A4ASR29	0698-3428	1		RESISTOR 14.7 1% .125W F TC=0+-100	03888	PME55-1/8-TD-14R7-F
A4ASR30	0698-3444	1		RESISTOR 316 1% .125W F TC=0+-100	24546	CA-1/8-TD-316R-F
A4ASR31	0757-0439	4		RESISTOR 6.81K 1% .125W F TC=0+-100	24546	CA-1/8-TD-6811-F
A4ASR32	0757-0279	0		RESISTOR 3.16K 1% .125W F TC=0+-100	24546	CA-1/8-TD-3161-F
A4ASR33	0757-0439	4		RESISTOR 6.81K 1% .125W F TC=0+-100	24546	CA-1/8-TD-6811-F
A4ASR34	0757-0279	0		RESISTOR 3.16K 1% .125W F TC=0+-100	24546	CA-1/8-TD-3161-F
A4ASR35	0698-3438	3		RESISTOR 147 1% .125W F TC=0+-100	24546	CA-1/8-TD-147R-F
A4ASR36	0698-3438	3		RESISTOR 147 1% .125W F TC=0+-100	24546	CA-1/8-TD-147R-F
A4ASR37*	0698-3439	4	6	RESISTOR 178 1% .125W F TC=0+-100	24546	CA-1/8-TD-178R-F
A4ASR38*	0698-3441	8	13	RESISTOR 215 1% .125W F TC=0+-100	24546	CA-1/8-TD-215R-F
A4ASR39*	0698-3433	8	1	RESISTOR 28.7 1% .125W F TC=0+-100	03888	PME55-1/8-TD-28R7-F
A4ASR40*	0698-3431	6	1	RESISTOR 23.7 1% .125W F TC=0+-100	03888	PME55-1/8-TD-23R7-F

See introduction to this section for ordering information

*Indicates factory selected value

†BACKDATING INFORMATION IN SECTION VII

Table 6-3. Replaceable Parts

Reference Designation	HP Part Number	C D	Qty	Description	Mfr Code	Mfr Part Number
A445R41*	069B-3439	4		RESISTOR 178 1% .125W F TC=0+-100	24546	C4-1/B-T0-178R-F
A445R42*	069B-3441	8		RESISTOR 215 1% .125W F TC=0+-100	24546	C4-1/B-T0-215R-F
A445T1	08660-80003	1	1	TRANSFORMER, ISOLATOR	28480	08660-80003
A446	08660-60007	3	1	BOARD ASSEMBLY, PRETUNE	28480	08660-60007
A446C1	0160-2055	9		CAPACITOR-FXD .01UF +80-20% 100VDC CER	28480	0160-2055
A446C2	0180-0183	2	5	CAPACITOR-FXD 10UF+75-10% 50VDC AL	56289	300106C050CB2
A446C3	0180-0183	2		CAPACITOR-FXD 10UF+75-10% 50VDC AL	56289	300106C050CB2
A446C4	0180-0141	2	4	CAPACITOR-FXD 50UF+75-10% 50VDC AL	56289	300506C050DD2
A446C5	0121-0452	4		CAPACITOR-V TRMR-AIR 1.3-5.4PF 175V	74970	187-0183-02B
A446C6†	0160-2263	1	1	CAPACITOR-FXD 18PF +-5% 500VDC CER 0+-30	28480	0160-2263
A446C7	0160-0174	9	10	CAPACITOR-FXD .47UF +80-20% 25VDC CER	28480	0160-0174
A446C8	0180-0197	8	3	CAPACITOR-FXD 2.2UF+-10% 20VDC TA	56289	150D25X9020A2
A446C9	0160-3878	6		CAPACITOR-FXD 1000PF +-20% 100VDC CER	28480	0160-3878
A446C10	0180-0183	2		CAPACITOR-FXD 10UF+75-10% 50VDC AL	56289	300106C050CB2
A446C11	0160-3537	4		CAPACITOR-FXD 680PF +-5% 100VDC MICA	28480	0160-3537
A446CR1	1901-0033	2	2	DIODE-GEN PRP 180V 200MA DD-7	28480	1901-0033
A446L1	9140-0178	0	1	INDUCTOR RF-CN-MLD 12UH 10% .166DX.385LC	28480	9140-0178
A446L2	9100-1643	2	1	INDUCTOR RF-CN-MLD 300UH 5% .2DX.45LC	28480	9100-1643
A446Q1	1854-0071	7		TRANSISTOR NPN 5I PD=300MW FT=200MHZ	28480	1854-0071
A446Q2	1853-0007	7	13	TRANSISTOR PNP 2N3251 5I TO-18 PD=360MW	04713	2N3251
A446Q3	1853-0007	7		TRANSISTOR PNP 2N3251 5I TO-18 PD=360MW	04713	2N3251
A446Q4	1853-0007	7		TRANSISTOR PNP 2N3251 5I TO-18 PD=360MW	04713	2N3251
A446Q5	1853-0007	7		TRANSISTOR PNP 2N3251 5I TO-18 PD=360MW	04713	2N3251
A446Q6	1853-0007	7		TRANSISTOR PNP 2N3251 5I TO-18 PD=360MW	04713	2N3251
A446Q7	1853-0007	7		TRANSISTOR PNP 2N3251 5I TO-18 PD=360MW	04713	2N3251
A446Q8	1853-0007	7		TRANSISTOR PNP 2N3251 5I TO-18 PD=360MW	04713	2N3251
A446Q9	1853-0007	7		TRANSISTOR PNP 2N3251 5I TO-18 PD=360MW	04713	2N3251
A446Q10	1853-0007	7		TRANSISTOR PNP 2N3251 5I TO-18 PD=360MW	04713	2N3251
A446Q11	1853-0007	7		TRANSISTOR PNP 2N3251 5I TO-18 PD=360MW	04713	2N3251
A446Q12	1853-0007	7		TRANSISTOR PNP 2N3251 5I TO-18 PD=360MW	04713	2N3251
A446Q13	1853-0007	7		TRANSISTOR PNP 2N3251 5I TO-18 PD=360MW	04713	2N3251
A446Q14	1854-0071	7		TRANSISTOR NPN 5I PD=300MW FT=200MHZ	28480	1854-0071
A446R1	0757-0346	2		RESISTOR 10 1% .125W F TC=0+-100	24546	C4-1/B-T0-10R0-F
A446R2	2100-3818	0	2	RESISTOR-TRMR 5K 10% C TOP-ADJ 10-TRN	32997	3262W-1-502
A446R3	0757-0418	9		RESISTOR 619 1% .125W F TC=0+-100	24546	C4-1/B-T0-619R-F
A446R4	0757-0288	3		RESISTOR 1K 1% .125W F TC=0+-100	24546	C4-1/B-T0-1001-F
A446R5	0757-0442	9		RESISTOR 10K 1% .125W F TC=0+-100	24546	C4-1/B-T0-1002-F
A446R6	0757-0416	7		RESISTOR 511 1% .125W F TC=0+-100	24546	C4-1/B-T0-511R-F
A446R7	0757-0280	3		RESISTOR 1K 1% .125W F TC=0+-100	24546	C4-1/B-T0-1001-F
A446R8	0757-1094	9		RESISTOR 1.47K 1% .125W F TC=0+-100	24546	C4-1/B-T0-1471-F
A446R9	0757-0441	8		RESISTOR 8.25K 1% .125W F TC=0+-100	24546	C4-1/B-T0-8251-F
A446R10	0757-0405	4	4	RESISTOR 162 1% .125W F TC=0+-100	24546	C4-1/B-T0-162R-F
A446R11	069B-3444	1		RESISTOR 316 1% .125W F TC=0+-100	24546	C4-1/B-T0-316R-F
A446R12	0757-1094	9		RESISTOR 1.47K 1% .125W F TC=0+-100	24546	C4-1/B-T0-1471-F
A446R13	2100-3817	9	2	RESISTOR-TRMR 2K 10% C TOP-ADJ 10-TRN	32997	3262W-1-202
A446R14	0757-0200	7	11	RESISTOR 5.62K 1% .125W F TC=0+-100	24546	C4-1/B-T0-5621-F
A446R15	2100-3822	6	3	RESISTOR-TRMR 100 10% C TOP-ADJ 10-TRN	32997	3262W-1-101
A446R16	069B-3439	4		RESISTOR 178 1% .125W F TC=0+-100	24546	C4-1/B-T0-178R-F
A446R17	0757-0428	1	14	RESISTOR 1.62K 1% .125W F TC=0+-100	24546	C4-1/B-T0-1621-F
A446R18*	0757-0405	4		RESISTOR 162 1% .125W F TC=0+-100	24546	C4-1/B-T0-162R-F
A446R19*	069B-3443	0	6	RESISTOR 287 1% .125W F TC=0+-100	24546	C4-1/B-T0-287R-F
A446R20	2100-3822	6		RESISTOR-TRMR 100 10% C TOP-ADJ 10-TRN	32997	3262W-1-101
A446R21	069B-3409	8	1	RESISTOR 2.37K 1% .5W F TC=0+-100	28480	069B-3409
A446R22	2100-3822	6		RESISTOR-TRMR 100 10% C TOP-ADJ 10-TRN	32997	3262W-1-101
A446R23	0757-0401	0		RESISTOR 100 1% .125W F TC=0+-100	24546	C4-1/B-T0-101-F
A446R24	069B-3440	7		RESISTOR 196 1% .125W F TC=0+-100	24546	C4-1/B-T0-196R-F
A446R25	0757-0278	9		RESISTOR 1.78K 1% .125W F TC=0+-100	24546	C4-1/B-T0-1781-F
A446R26*	069B-3438	3		RESISTOR 147 1% .125W F TC=0+-100	24546	C4-1/B-T0-147R-F
A446R27	0757-0346	2		RESISTOR 10 1% .125W F TC=0+-100	24546	C4-1/B-T0-10R0-F
A446R28	2100-3821	5	1	RESISTOR-TRMR 200 10% C TOP-ADJ 10-TRN	32997	3262W-1-201
A446R29	0757-0836	5	1	RESISTOR 7.5K 1% .5W F TC=0+-100	28480	0757-0836
A446R30	0757-0394	0		RESISTOR 51.1 1% .125W F TC=0+-100	24546	C4-1/B-T0-5111-F
A446R31	069B-3441	8		RESISTOR 215 1% .125W F TC=0+-100	24546	C4-1/B-T0-215R-F
A446R32	069B-0083	8		RESISTOR 1.78K 1% .125W F TC=0+-100	24546	C4-1/B-T0-1781-F
A446R33*	069B-3440	7		RESISTOR 196 1% .125W F TC=0+-100	24546	C4-1/B-T0-196R-F
A446R34	0757-0346	2		RESISTOR 10 1% .125W F TC=0+-100	24546	C4-1/B-T0-10R0-F
A446R35	2100-3820	4	3	RESISTOR-TRMR 500 10% C TOP-ADJ 10-TRN	32997	3262W-1-501
A446R36	069B-3442	9		RESISTOR 237 1% .125W F TC=0+-100	24546	C4-1/B-T0-237R-F
A446R37	069B-0084	9		RESISTOR 2.15K 1% .125W F TC=0+-100	24546	C4-1/B-T0-2151-F
A446R38*	069B-3441	8		RESISTOR 215 1% .125W F TC=0+-100	24546	C4-1/B-T0-215R-F
A446R39	0757-0440	7	3	RESISTOR 7.5K 1% .125W F TC=0+-100	24546	C4-1/B-T0-7501-F
A446R40	2100-3820	4		RESISTOR-TRMR 500 10% C TOP-ADJ 10-TRN	32997	3262W-1-501

See Introduction to this section for ordering information
 *Indicates factory selected value
 † BACKDATING INFORMATION IN SECTION VII

Table 6-3. Replaceable Parts

Reference Designation	HP Part Number	C D	Qty	Description	Mfr Code	Mfr Part Number
AA6R41	069B-3132	4	5	RESISTOR 261 1% .125W F TC=0+-100	24546	CA-1/B-TD-2610-F
AA6R42	069B-3150	6		RESISTOR 2.37K 1% .125W F TC=0+-100	24546	CA-1/B-TD-2371-F
AA6R43*	069B-0092	7		RESISTOR 464 1% .125W F TC=0+-100	24546	CA-1/B-TD-4640-F
AA6R44	2100-3020	4		RESISTOR-TRMR 500 10% C TOP-ADJ 10-TRN	32997	3262W-1-501
AA6R45	069B-3443	0		RESISTOR 207 1% .125W F TC=0+-100	24546	CA-1/B-TD-207R-F
AA6R46	069B-0085	0	8	RESISTOR 2.61K 1% .125W F TC=0+-100	24546	CA-1/B-TD-2611-F
AA6R47*	0757-0417	8		RESISTOR 562 1% .125W F TC=0+-100	24546	CA-1/B-TD-562R-F
AA6R48	2100-3019	1		RESISTOR-TRMR 1K 10% C TOP-ADJ 10-TRN	32997	3262W-1-102
AA6R49	069B-3444	1		RESISTOR 316 1% .125W F TC=0+-100	24546	CA-1/B-TD-316R-F
AA6R50	069B-3151	7		RESISTOR 2.07K 1% .125W F TC=0+-100	24546	CA-1/B-TD-2071-F
AA6R51*	0757-0280	3	9	RESISTOR 1K 1% .125W F TC=0+-100	24546	CA-1/B-TD-1001-F
AA6R52*	2100-3017	9		RESISTOR-TRMR 2K 10% C TOP-ADJ 10-TRN	32997	3262W-1-202
AA6R53	069B-3445	0		RESISTOR 348 1% .125W F TC=0+-100	24546	CA-1/B-TD-348R-F
AA6R54	0757-0279	7		RESISTOR 3.16K 1% .125W F TC=0+-100	24546	CA-1/B-TD-3161-F
AA6R55*	0757-1094	9		RESISTOR 1.47K 1% .125W F TC=0+-100	24546	CA-1/B-TD-1471-F
AA6R56	2100-3818	0	3	RESISTOR-TRMR 5K 10% C TOP-ADJ 10-TRN	32997	3262W-1-502
AA6R57	069B-3446	3		RESISTOR 383 1% .125W F TC=0+-100	24546	CA-1/B-TD-383R-F
AA6R58	069B-3152	8		RESISTOR 3.48K 1% .125W F TC=0+-100	24546	CA-1/B-TD-3481-F
AA6R59*	069B-3155	8		RESISTOR 4.64K 1% .125W F TC=0+-100	24546	CA-1/B-TD-4641-F
AA6R60	2100-3816	1		RESISTOR-TRMR 10K 10% C TOP-ADJ 10-TRN	32997	3262W-1-103
AA6R61	0757-0447	4	3	RESISTOR 16.2K 1% .125W F TC=0+-100	24546	CA-1/B-TD-1622-F
AA6R62	069B-3442	9		RESISTOR 237 1% .125W F TC=0+-100	24546	CA-1/B-TD-237R-F
AA6R63	0757-0442	9		RESISTOR 10K 1% .125W F TC=0+-100	24546	CA-1/B-TD-1002-F
AA6R64	069B-0084	9		RESISTOR 3.15K 1% .125W F TC=0+-100	24546	CA-1/B-TD-2151-F
AA6R65	069B-7284	5		RESISTOR 100K 1% .05W F TC=0+-100	24546	C3-1/B-TD-1003-C
AA6U1	1820-2082	3	1	IC DCDR TTL BCD 4-YD-10-LINE	01295	6N54A2AJ
AA67	08660-80006	2	1	BOARD ASSEMBLY, PHASE DETECTOR	28480	08660-80006
AA7C1	0160-3078	6	3	CAPACITOR-FXD 1000PF +-20% 100VDC CER	28480	0160-3078
AA7C2	0160-3078	6		CAPACITOR-FXD 1000PF +-20% 100VDC CER	28480	0160-3078
AA7C3	0180-2214	4		CAPACITOR-FXD 90UF+75-10% 16VDC AL	56289	30D906C016CC2
AA7C4	0160-3079	7		CAPACITOR-FXD .01UF +-20% 100VDC CER	28480	0160-3079
AA7C5	0160-3078	6		CAPACITOR-FXD 1000PF +-20% 100VDC CER	28480	0160-3078
AA7C6	0180-2214	4	4	CAPACITOR-FXD 90UF+75-10% 16VDC AL	56289	30D906C016CC2
AA7C7	0180-0049	9		CAPACITOR-FXD 20UF+75-10% 50VDC AL	56289	30D206C050CC2
AA7C8	0160-3078	6		CAPACITOR-FXD 1000PF +-20% 100VDC CER	28480	0160-3078
AA7C9	0160-0839	3		CAPACITOR-FXD 110PF +-1% 300VDC MICA	28480	0160-0839
AA7C10	0180-3064	2		CAPACITOR-FXD 1000PF +-5% 300VDC MICA	28480	0160-3064
AA7C11	0160-0182	9	2	CAPACITOR-FXD 47PF +-5% 300VDC MICA	28480	0160-0182
AA7C12	0160-0182	9		CAPACITOR-FXD 47PF +-5% 300VDC MICA	28480	0160-0182
AA7C13	0160-2250	6		CAPACITOR-FXD 5.1PF +-1.25PF 500VDC CER	28480	0160-2250
AA7C14	0160-2266	4		CAPACITOR-FXD 24PF +-5% 500VDC CER 0+-30	28480	0160-2266
AA7C15	0180-1745	4		CAPACITOR-FXD 1.5UF+-10% 20VDC TA	56289	150D155X9020A2
AA7C16	0160-2266	4	1	CAPACITOR-FXD 24PF +-5% 500VDC CER 0+-30	28480	0160-2266
AA7C17	0160-2264	2		CAPACITOR-FXD 20PF +-5% 500VDC CER 0+-30	28480	0160-2264
AA7C18	0180-0291	3		CAPACITOR-FXD 1UF+-10% 35VDC TA	56289	150D105X9035A2
AA7C19	0180-0291	3		CAPACITOR-FXD 1UF+-10% 35VDC TA	56289	150D105X9035A2
AA7C20	0180-0291	3		CAPACITOR-FXD 1UF+-10% 35VDC TA	56289	150D105X9035A2
AA7C21	0180-0197	8	8	CAPACITOR-FXD 2.2UF+-10% 20VDC TA	56289	150D225X9020A2
AA7C22	0180-0291	3		CAPACITOR-FXD 1UF+-10% 35VDC TA	56289	150D105X9035A2
AA7C23	0180-0197	8		CAPACITOR-FXD 2.2UF+-10% 20VDC TA	56289	150D225X9020A2
AA7C24	0180-0291	3		CAPACITOR-FXD 1UF+-10% 35VDC TA	56289	150D105X9035A2
AA7C25	0180-0183	2		CAPACITOR-FXD 18UF+75-10% 50VDC AL	56289	30D186C050CB2
AA7C26	0160-2266	4	1	CAPACITOR-FXD 24PF +-5% 500VDC CER 0+-30	28480	0160-2266
AA7CR1	1901-0189	9	4	DIODE-BTEP RECOVERY	28480	1901-0189
AA7CR2	1906-0098	9		DIODE-MATCHED 1V	28480	1906-0098
AA7CR3	1906-0098	9		DIODE-MATCHED 1V	28480	1906-0098
AA7CR4	1906-0098	9		DIODE-MATCHED 1V	28480	1906-0098
AA7CR5	1906-0098	9		DIODE-MATCHED 1V	28480	1906-0098
AA7CR6	1902-0041	4	4	DIODE-ZNR 5.11V 5% 00-35 PD=.4W	28480	1902-0041
AA7CR7	1902-0041	4		DIODE-ZNR 5.11V 5% 00-35 PD=.4W	28480	1902-0041
AA7CR8	1902-0041	4		DIODE-ZNR 5.11V 5% 00-35 PD=.4W	28480	1902-0041
AA7CR9	1902-0041	4		DIODE-ZNR 5.11V 5% 00-35 PD=.4W	28480	1902-0041
AA7CR10	1901-0033	2		DIODE-GEN PRP 180V 200MA DO-7	28480	1901-0033
AA7J1	1250-0836	2	1	CONNECTOR-RF SMC M PC 50-OHM	28480	1250-0836
AA7L1	9140-0144	0	2	INDUCTOR RF-CH-MLD 4.7UH 10% .105DX.26LG	28480	9140-0144
AA7L2	9140-0210	1		INDUCTOR RF-CH-MLD 100UH 5% .166DX.385LG	28480	9140-0210
AA7L3	9140-0210	1		INDUCTOR RF-CH-MLD 100UH 5% .166DX.385LG	28480	9140-0210
AA7L4	9180-2260	1		INDUCTOR RF-CH-MLD 1.8UH 10% .105DX.26LG	28480	9180-2260
AA7L5	9180-2254	3		INDUCTOR RF-CH-MLD 390NH 10% .105DX.26LG	28480	9180-2254
AA7L6	08660-80005	3	2	INDUCTOR	28480	08660-80005
AA7L7	08660-80005	3		INDUCTOR	28480	08660-80005

See introduction to this section for ordering information
*Indicates factory selected value

Table 6-3. Replaceable Parts

Reference Designation	HP Part Number	C D	Qty	Description	Mfr Code	Mfr Part Number
AA47Q1	1854-0019	3		TRANSISTOR NPN SI TO-18 PD=360MW	28480	1854-0019
AA47Q2	1854-0019	3		TRANSISTOR NPN SI TO-18 PD=360MW	28480	1854-0019
AA47Q3	1853-0034	0	7	TRANSISTOR PNP SI TO-18 PD=360MW	28480	1853-0034
AA47Q4	1855-0049	1	3	TRANSISTOR-JFET DUAL N-CHAN D-MODE SI	28480	1855-0049
AA47Q5	1853-0007	7		TRANSISTOR PNP 2N3251 SI TO-18 PD=360MW	04713	2N3251
AA47Q6	1854-0023	9	1	TRANSISTOR NPN SI TO-18 PD=360MW	28480	1854-0023
AA47R1	0757-0398	4		RESISTOR 75 1% .125W F TC=0+-100	24546	CA-1/8-T0-75R0-F
AA47R2	0698-0084	9		RESISTOR 2.15K 1% .125W F TC=0+-100	24546	CA-1/8-T0-2151-F
AA47R3	0757-0280	3		RESISTOR 1K 1% .125W F TC=0+-100	24546	CA-1/8-T0-1001-F
AA47R4	0698-3440	7		RESISTOR 196 1% .125W F TC=0+-100	24546	CA-1/8-T0-196R-F
AA47R5	0757-0346	2		RESISTOR 10 1% .125W F TC=0+-100	24546	CA-1/8-T0-10R0-F
AA47R6	0698-3437	2	3	RESISTOR 133 1% .125W F TC=0+-100	24546	CA-1/8-T0-133R-F
AA47R7	0698-3443	0		RESISTOR 207 1% .125W F TC=0+-100	24546	CA-1/8-T0-207R-F
AA47R8	0757-0346	2		RESISTOR 10 1% .125W F TC=0+-100	24546	CA-1/8-T0-10R0-F
AA47R9	0698-0084	9		RESISTOR 2.15K 1% .125W F TC=0+-100	24546	CA-1/8-T0-2151-F
AA47R10	0757-0280	3		RESISTOR 1K 1% .125W F TC=0+-100	24546	CA-1/8-T0-1001-F
AA47R11	0757-0276	7	1	RESISTOR 61.9 1% .125W F TC=0+-100	24546	CA-1/8-T0-6192-F
AA47R12	0698-3438	0		RESISTOR 147 1% .125W F TC=0+-100	24546	CA-1/8-T0-147R-F
AA47R13	0757-0394	0		RESISTOR 51.1 1% .125W F TC=0+-100	24546	CA-1/8-T0-51R1-F
AA47R14	0757-0394	0		RESISTOR 51.1 1% .125W F TC=0+-100	24546	CA-1/8-T0-51R1-F
AA47R15	0757-0394	0		RESISTOR 51.1 1% .125W F TC=0+-100	24546	CA-1/8-T0-51R1-F
AA47R16	0757-0280	3		RESISTOR 1K 1% .125W F TC=0+-100	24546	CA-1/8-T0-1001-F
AA47R17	0757-0280	3		RESISTOR 1K 1% .125W F TC=0+-100	24546	CA-1/8-T0-1001-F
AA47R18	2108-1986	9	2	RESISTOR-TRMR 1K 10% C TOP-ADJ 1-TRM	73138	B2PR1K
AA47R19	0757-0394	0		RESISTOR 51.1 1% .125W F TC=0+-100	24546	CA-1/8-T0-51R1-F
AA47R20	0757-0394	0		RESISTOR 51.1 1% .125W F TC=0+-100	24546	CA-1/8-T0-51R1-F
AA47R21	0757-0442	9		RESISTOR 10K 1% .125W F TC=0+-100	24546	CA-1/8-T0-1002-F
AA47R22	2108-1986	9		RESISTOR-TRMR 1K 10% C TOP-ADJ 1-TRM	73138	B2PR1K
AA47R23	0757-0442	9		RESISTOR 10K 1% .125W F TC=0+-100	24546	CA-1/8-T0-1002-F
AA47R24	0757-0401	0		RESISTOR 100 1% .125W F TC=0+-100	24546	CA-1/8-T0-101-F
AA47R25	0757-0442	9		RESISTOR 10K 1% .125W F TC=0+-100	24546	CA-1/8-T0-1002-F
AA47R26	0757-1094	9		RESISTOR 1.47K 1% .125W F TC=0+-100	24546	CA-1/8-T0-1471-F
AA47R27	0757-0394	0		RESISTOR 51.1 1% .125W F TC=0+-100	24546	CA-1/8-T0-51R1-F
AA47R28	0757-0401	0		RESISTOR 100 1% .125W F TC=0+-100	24546	CA-1/8-T0-101-F
AA47R29	0698-3445	0		RESISTOR 348 1% .125W F TC=0+-100	24546	CA-1/8-T0-348R-F
AA47R30	0757-0394	0		RESISTOR 51.1 1% .125W F TC=0+-100	24546	CA-1/8-T0-51R1-F
AA47R31	0698-3445	2		RESISTOR 348 1% .125W F TC=0+-100	24546	CA-1/8-T0-348R-F
AA47R32	0698-3101	7	1	RESISTOR 2.87K 1% .5W F TC=0+-100	28480	0698-3101
AA47R33	0757-0416	7		RESISTOR 511 1% .125W F TC=0+-100	24546	CA-1/8-T0-511R-F
AA47R34	0757-0394	0		RESISTOR 51.1 1% .125W F TC=0+-100	24546	CA-1/8-T0-51R1-F
AA47T1	08660-80011	1	1	TRANSFORMER, TRIFILAR	28480	08660-80011
AA47T2	08660-80010	0	1	TRANSFORMER, BIFILAR	28480	08660-80010
AA4B†	08660-60325	8	1	100 MHZ BAND PASS FILTER	28480	08660-60325
AS	08660-60327	0	1	BOARD ASSEMBLY, REGULATOR	28480	08660-60327
ASC1	0180-0291	3		CAPACITOR-FXD 1UF+-10% 35VDC TA	56289	150D105X9035A2
ASC2	0180-0291	3		CAPACITOR-FXD 1UF+-10% 35VDC TA	56289	150D105X9035A2
ASC3	0180-0291	3		CAPACITOR-FXD 1UF+-10% 35VDC TA	56289	150D105X9035A2
ASC4	0180-0291	3		CAPACITOR-FXD 1UF+-10% 35VDC TA	56289	150D105X9035A2
ASC5	0160-2207	3	3	CAPACITOR-FXD 300PF +-5% 300VDC MICA	28480	0160-2207
ASC6	0180-1704	5	4	CAPACITOR-FXD 47UF+-10% 6VDC TA	56289	150D476X9006B2
ASC7†	0180-0183	2		CAPACITOR-FXD 10UF+75-10% 50VDC AL	56289	30D106C050C02
ASC8	0180-0291	3		CAPACITOR-FXD 1UF+-10% 35VDC TA	56289	150D105X9035A2
ASC9	0160-2208	4	1	CAPACITOR-FXD 330PF +-5% 300VDC MICA	28480	0160-2208
ASC10	0180-1704	5		CAPACITOR-FXD 47UF+-10% 6VDC TA	56289	150D476X9006B2
ASC11				NOT ASSIGNED		
ASC12†	0160-2226	6	1	CAPACITOR-FXD 2200PF +-5% 300VDC MICA	28480	0160-2226
ASC13	0180-0291	3		CAPACITOR-FXD 1UF+-10% 35VDC TA	56289	150D105X9035A2
ASC14†	0180-2207	5	4	CAPACITOR-FXD 100UF+-10% 10VDC TA	56289	150D107X9010R2
ASC15	0180-0269	5	2	CAPACITOR-FXD 1UF+50-10% 150VDC AL	56289	30D105C150BA2
ASC16				NOT ASSIGNED		
ASC17	0160-2210	6		CAPACITOR-FXD 1000PF +-5% 300VDC MICA	28480	0160-2210
ASC18	0180-0269	5		CAPACITOR-FXD 1UF+50-10% 150VDC AL	56289	30D105C150BA2
ASC19†	0180-0141	2		CAPACITOR-FXD 50UF+75-10% 50VDC AL	56289	30D506C050D02
ASC21	1902-3104	6	1	DIODE-ZNR 5.62V 5X DO-35 PD=.4W	28480	1902-3104
ASQ1†	1853-0213	7	5	TRANSISTOR PNP 2N4236 SI TO-5 PD=1W	04713	2N4236
ASQ2	1853-0451	5	11	TRANSISTOR NPN 2N3799 SI TO-18 PD=360MW	01295	2N3799
ASQ3†	1853-0213	7		TRANSISTOR PNP 2N4236 SI TO-5 PD=1W	04713	2N4236
ASQ4	1205-0011	8	2	HEAT SINK TO-5/TO-39-CS	28430	1205-0011
ASQ4	1853-0451	5		TRANSISTOR PNP 2N3799 SI TO-18 PD=360MW	01275	2N3799
ASQ5†	1853-0213	7		TRANSISTOR PNP 2N4236 SI TO-5 PD=1W	04713	2N4236
ASQ6	1205-0011	8		HEAT SINK TO-5/TO-39-CS	28480	1205-0011
ASQ6	1853-0326	3	1	TRANSISTOR PNP SI PD=1W FT=50MHZ	04713	MP8-051

See introduction to this section for ordering information

*Indicates factory selected value

† BACKDATING INFORMATION IN SECTION VII

Table 6-3. Replaceable Parts

Reference Designation	HP Part Number	C D	Qty	Description	Mfr Code	Mfr Part Number
A5R1	0757-0397	3		RESISTOR 68.1 1% .125W F TC=0+-100	24546	C4-1/B-T0-68R1-F
A5R2	0757-0346	2		RESISTOR 10 1% .125W F TC=0+-100	24546	CA-1/B-T0-10R0-F
A5R3	0698-3132	4		RESISTOR 261 1% .125W F TC=0+-100	24546	CA-1/B-T0-2610-F
A5R4	0757-0397	3		RESISTOR 68.1 1% .125W F TC=0+-100	24546	C4-1/B-T0-68R1-F
A5R5	0757-0397	3		RESISTOR 68.1 1% .125W F TC=0+-100	24546	C4-1/B-T0-68R1-F
A5R6	0757-0398	4		RESISTOR 75 1% .125W F TC=0+-100	24546	CA-1/B-T0-75R0-F
A5R7	0757-0280	3		RESISTOR 1K 1% .125W F TC=0+-100	24546	CA-1/B-T0-10R1-F
A5R8	0757-0461	0		RESISTOR 100 1% .125W F TC=0+-100	24546	CA-1/B-T0-101-F
A5R9	0757-0397	3		RESISTOR 68.1 1% .125W F TC=0+-100	24546	CA-1/B-T0-68R1-F
A5R10†	0698-3446	3		RESISTOR 383 1% .125W F TC=0+-100	24546	CA-1/B-T0-383R-F
A5R11	0757-0442	9		RESISTOR 10K 1% .125W F TC=0+-100	24546	CA-1/B-T0-1002-F
A5R12	0757-0280	3		RESISTOR 1K 1% .125W F TC=0+-100	24546	CA-1/B-T0-10R1-F
A5R13	0757-0394	0		RESISTOR 51.1 1% .125W F TC=0+-100	24546	CA-1/B-T0-51R1-F
A5R14	0698-3161	9	1	RESISTOR 38.3K 1% .125W F TC=0+-100	24546	CA-1/B-T0-3832-F
A5R15	0757-0424	7	11	RESISTOR 1.1K 1% .125W F TC=0+-100	24546	CA-1/B-T0-11R1-F
A5R16	0757-0394	0		RESISTOR 51.1 1% .125W F TC=0+-100	24546	CA-1/B-T0-51R1-F
A5R17	0698-3158	6		RESISTOR 2.37K 1% .125W F TC=0+-100	24546	CA-1/B-T0-2371-F
A5R18	0698-3150	6		RESISTOR 2.37K 1% .125W F TC=0+-100	24546	CA-1/B-T0-2371-F
A5R19	0698-3136	8	3	RESISTOR 17.8K 1% .125W F TC=0+-100	24546	CA-1/B-T0-1782-F
A5R20	0757-1094	9		RESISTOR 1.47K 1% .125W F TC=0+-100	24546	CA-1/B-T0-1471-F
A5R21	2180-1973	4	1	RESISTOR-TMR 200 10% WM TOP-ADJ 20-TMR	02660	3B10P-201
A5R22	0757-0278	9		RESISTOR 1.78K 1% .125W F TC=0+-100	24546	CA-1/B-T0-1781-F
A5R23	0698-3152	8		RESISTOR 3.48K 1% .125W F TC=0+-100	24546	CA-1/B-T0-3481-F
A5R24	2180-1799	2	1	RESISTOR-TMR 500 10% WM SIDE-ADJ 20-TMR	02660	3B10P-501
A5R25	0757-0428	1		RESISTOR 1.62K 1% .125W F TC=0+-100	24546	CA-1/B-T0-1621-F
A5R26	2180-2852	0	1	RESISTOR-TMR 1K 10% WM SIDE-ADJ 20-TMR	02660	3B10P-102
A5R27	0698-3155	1		RESISTOR 4.64K 1% .125W F TC=0+-100	24546	CA-1/B-T0-4641-F
A5R28	2180-1739	0	1	RESISTOR-TMR 5K 10% WM SIDE-ADJ 20-TMR	02660	3B10P-502
A5R29	0698-3136	8		RESISTOR 17.8K 1% .125W F TC=0+-100	24546	CA-1/B-T0-1782-F
A5U1	1826-0016	1	1	IC 204 V RCLTR TO-100	04713	LM2804C
A5U2	1826-0004	7	1	IC 304 V RCLTR TO-100	07263	UA304HM
A5U3†	1826-0017	2	1	IC V RCLTR TO-99	27014	LM205H
A5U4	1826-0247	8	1	IC V RCLTR TO-99	27014	LM305H
A6	08660-60276	8	1	FAN ASSEMBLY, 400 HZ (OPTION 003 ONLY)	28480	08660-60276
A66	08660-60275	7	1	FAN ASSEMBLY, 60 HZ (EXCEPT OPTION 003)	28480	08660-60275
A6Q1	1854-0072	8	1	TRANSISTOR NPN 2N3054 SI TO-66 PD=25W	01928	2N3054
A6Q2	1853-0032	2	1	TRANSISTOR PNP 2N3740 SI TO-66 PD=25W	04713	2N3740
A6Q3				POT ASSIGNED		
A6Q4	1854-0063	7	3	TRANSISTOR NPN 2N3055 SI TO-3 PD=115W	01928	2N3055
A6Q5	1853-0059	9	1	TRANSISTOR PNP 2N3791 SI TO-3 PD=150W	04713	2N3791
A6Q6				NOT ASSIGNED		
A6Q7	1854-0063	7		TRANSISTOR NPN 2N3055 SI TO-3 PD=115W	01928	2N3055
A6Q8	1854-0063	7		TRANSISTOR NPN 2N3055 SI TO-3 PD=115W	01928	2N3055
A6Q9				NOT ASSIGNED		
A6Q10	1854-0313	0	1	TRANSISTOR NP 2N3771 SI TO-3 PD=150W	01928	2N3771
A6R1†	0811-3410	3	1	RESISTOR .165 1% 25W PW TC=0+-90	28480	0811-3410
A6A1	08660-60333	8	1	BOARD ASSEMBLY, PRE-REGULATOR	28480	08660-60333
A6A1C1	0180-0141	2		CAPACITOR-FXD 50UF+75-10% 50VDC AL	56289	30D506C050DD2
A6A1C2	0180-0141	2		CAPACITOR-FXD 50UF+75-10% 50VDC AL	56289	30D506C050DD2
A6A1C3	0180-0089	7	1	CAPACITOR-FXD 18UF+50-10% 150VDC AL	56289	30D186F150DD2
A6A1C4	0150-0121	5	20	CAPACITOR-FXD .1UF +80-20% 50VDC CER	28480	0150-0121
A6A1C5	0150-0121	5		CAPACITOR-FXD .1UF +80-20% 50VDC CER	28480	0150-0121
A6A1C6†	0160-3094	8	2	CAPACITOR-FXD .1UF +-10% 100VDC CER	28480	0160-3094
A6A1C7	0150-0121	5		CAPACITOR-FXD .1UF +80-20% 50VDC CER	28480	0150-0121
A6A1C8	0150-0121	5		CAPACITOR-FXD .1UF +80-20% 50VDC CER	28480	0150-0121
A6A1C9†	0160-3094	8		CAPACITOR-FXD .1UF +-10% 100VDC CER	28480	0160-3094
A6A1CR1†	1902-3263	8	1	DIODE-ZNR 24.9V 2% DO-35 PD=.4W	28480	1902-3263
A6A1CR2	1902-3283	6	1	DIODE-ZNR 14.7V 5% DO-35 PD=.4W	28480	1902-3283
A6A1CR3	1902-3333	3	1	DIODE-ZNR 46.4V 5% DO-35 PD=.4W	28480	1902-3333
A6A1Q1				NOT ASSIGNED		
A6A1Q2				NOT ASSIGNED		
A6A1Q3†	1853-0213	7		TRANSISTOR PNP 2N4236 SI TO-5 PD=1W	04713	2N4236
A6A1Q4				NOT ASSIGNED		
A6A1Q5				NOT ASSIGNED		
A6A1Q6†	1853-0213	7		TRANSISTOR PNP 2N4236 SI TO-5 PD=1W	04713	2N4236
A6A1Q7				NOT ASSIGNED		
A6A1Q8				NOT ASSIGNED		
A6A1Q9†	1854-0361	8	1	TRANSISTOR NPN 2N4239 SI TO-5 PD=6W	04713	2N4239
A6A1R1	0698-3447	4	6	RESISTOR 422 1% .125W F TC=0+-100	24546	CA-1/B-T0-422R-F
A6A1R2	0698-3132	4		RESISTOR 261 1% .125W F TC=0+-100	24546	CA-1/B-T0-2610-F
A6A1R3	0757-0274	5	4	RESISTOR 1.21K 1% .125W F TC=0+-100	24546	CA-1/B-T0-1211-F
A6A1R4	0698-3447	4		RESISTOR 422 1% .125W F TC=0+-100	24546	CA-1/B-T0-422R-F
A6A1R5	0698-3132	4		RESISTOR 261 1% .125W F TC=0+-100	24546	CA-1/B-T0-2610-F

See introduction to this section for ordering information
 †Indicates factory selected value
 † BACKDATING INFORMATION IN SECTION VII

Table 6-3. Replaceable Parts

Reference Designation	HP Part Number	C D	Qty	Description	Mfr Code	Mfr Part Number
A6A1R6	0757-0274	5	1	RESISTOR 1.2K 1% .125W F TC=0+-100	24546	C4-1/8-T0-1211-F
A6A1R7	0757-0795	5	1	RESISTOR 75 1% 5W F TC=0+-100	19701	MF-1/2-T0-75R0-F
A6A1R8†				NOT ASSIGNED		
A6A1R9†				NOT ASSIGNED		
A6A1R10	0812-0020	7	1	RESISTOR .39 5% 3W FM TC=0+-90	91637	CM2B1-3-T2-39/100-J
A6A1R11	0811-1670	3	1	RESISTOR 2.2 5% 2W FM TC=0+-400	75642	BWH2-2R2-J
A6A1XA20-1	1251-2935	9	1	CONNECTOR-PC EDGE 15-COND/ROW 2-ROWS	28480	1251-2035
				A6A1 MISCELLANEOUS		
	1200-0043	8	1	INSULATOR-XSTR ALUMINUM	28480	1200-0043
	0340-0162	7	1	INSULATOR-XSTR ALUMINUM	28480	0340-0162
	08660-20173	6	1	HEAT SINK	28480	08660-20173
A6A2	3160-0056	9	1	FAN-TBAX 115-CFM 115V 50/60-HZ (EXCEPT OPTION 003)	28480	3160-0056
A6A2	3160-0087	6	1	FAN-TBAX 95-CFM 95-120V 47-440-HZ (OPTION 003 ONLY)	28480	3160-0087
				A6A2 MISCELLANEOUS		
	08660-00063	5	1	FAN, SHIELD	28480	08660-00063
	08660-00064	6	1	HEAT SINK COVER	28480	08660-00064
	0403-0026	6	1	SLIDE/NYLON FITS 0.192 HOLD U.176MI	28480	0403-0026
A6A3	08660-60336	1	1	FAN RELAY ASSEMBLY (DOES NOT INCL. A6A3C1)	28480	08660-60336
A6A3C1†	0160-3679	5	1	CAPACITOR-FXD 1UF +-10% 250VAC(RMS) (OPTION 003 ONLY)	28480	0160-3679
A6A3K1†	0490-0643	6	2	RELAY 1C 24VDC-COIL 2A 220VAC	28480	0490-0643
A6A3R1†	0698-3629	4	1	RESISTOR 270 5% 2W MO TC=0+-200	28480	0698-3629
A7	0960-0443	1	1	POWER LINE MODULE/FILTER (DOES NOT INCL. A7F1)	28480	0960-0443
A7C1	0160-4065	5	1	CAPACITOR-FXD .1UF +-20% 250VAC(RMS)	28480	0160-4065
A7F1	2110-0365	7	1	FUSE 4A 250V TD 1.25X.25 (FOR 100-120V OPERATION)	28480	2110-0365
A7F1	2110-0303	3	1	FUSE 2A 250V TD 1.25X.25 UL (FOR 220-240V OPERATION)	28480	2110-0303
A7R1	0839-0086	5	1	THERMISTOR DISC 10-OHM TC=-3.0%/C-DEG	28480	0839-0086
AB	08660-60014	2	1	BOARD ASSEMBLY, M3 OSCILLATOR (EXCEPT OPTION 004)	28480	08660-60014
ABC1	0180-0058	0	7	CAPACITOR-FXD 50UF+75-10% 25VDC AL	56289	30D506C025CC2
ABC2	0180-1704	5	7	CAPACITOR-FXD 47UF+-10% 10VDC TA	56289	150D47A9D0602
ABC3	0180-0228	6	7	CAPACITOR-FXD 22UF+-10% 15VDC TA	56289	150D22A9D1502
ABC4	0180-0049	9	7	CAPACITOR-FXD 20UF+75-10% 50VDC AL	56289	30D206C050CC2
ABC5	0150-0121	5	7	CAPACITOR-FXD .1UF +80-20% 50VDC CER	28480	0150-0121
ABC6	0160-3459	9	4	CAPACITOR-FXD .02UF +-20% 100VDC CER	28480	0160-3459
ABC7	0150-0121	5	4	CAPACITOR-FXD .1UF +80-20% 50VDC CER	28480	0150-0121
ABC8	0150-0121	5	4	CAPACITOR-FXD .1UF +80-20% 50VDC CER	28480	0150-0121
ABC9	0160-3459	9	4	CAPACITOR-FXD .02UF +-20% 100VDC CER	28480	0160-3459
ABC10	0160-0174	9	4	CAPACITOR-FXD .47UF +80-20% 25VDC CER	28480	0160-0174
ABC11	0160-2055	9	4	CAPACITOR-FXD .01UF +80-20% 100VDC CER	28480	0160-2055
ABC12	0160-0386	5	9	CAPACITOR-FXD 3.3PF +-25PF 500VDC CER	28480	0160-0386
ABC13	0160-2204	0	9	CAPACITOR-FXD 100PF +-5% 300VDC MICA	28480	0160-2204
ABC14	0160-4084	8	4	CAPACITOR-FXD .1UF +-20% 50VDC CER	28480	0160-4084
ABC15				NOT ASSIGNED		
ABC16	0160-0386	5	4	CAPACITOR-FXD 3.3PF +-25PF 500VDC CER	28480	0160-0386
ABC17	0160-0386	5	4	CAPACITOR-FXD 3.3PF +-25PF 500VDC CER	28480	0160-0386
ABC18	0160-2055	9	4	CAPACITOR-FXD .01UF +80-20% 100VDC CER	28480	0160-2055
ABC19	0160-2055	9	4	CAPACITOR-FXD .01UF +80-20% 100VDC CER	28480	0160-2055
ABC20	0160-2055	9	4	CAPACITOR-FXD .01UF +80-20% 100VDC CER	28480	0160-2055
ABC21	0160-2055	9	4	CAPACITOR-FXD .01UF +80-20% 100VDC CER	28480	0160-2055
ABC22	0160-2055	9	4	CAPACITOR-FXD .01UF +80-20% 100VDC CER	28480	0160-2055
ABCR1	1901-0040	1	1	DIODE-SWITCHING 30V 50MA 2MS DD-35	28480	1901-0040
ABCR2	1901-0040	1	1	DIODE-SWITCHING 30V 50MA 2MS DD-35	28480	1901-0040
ABCR3	0122-0299	9	1	DIODE-VVC .82PF 5% C2/C20-MIN=2 BVR=20V	28480	0122-0299
ABK1	0490-0643	6	1	RELAY 1C 24VDC-COIL 2A 220VAC	28480	0490-0643
ABL1	9100-1629	4	7	INDUCTOR RF-CH-MLD 47UH 5% .166DX.385LC	28480	9100-1629
ABL2	9140-0114	4	7	INDUCTOR RF-CH-MLD 10UH 10% .166DX.385LC	28480	9140-0114
ABL3	9100-1629	4	7	INDUCTOR RF-CH-MLD 47UH 5% .166DX.385LC	28480	9100-1629
ABL4	9100-1629	4	7	INDUCTOR RF-CH-MLD 47UH 5% .166DX.385LC	28480	9100-1629
ABL5†	08660-80025	7	3	COIL-650NH	28480	08660-80025

See introduction to this section for ordering information
 *Indicates factory selected value
 †BACKDATING INFORMATION IN SECTION VII

Table 6-3. Replaceable Parts

Reference Designation	HP Part Number	C D	Qty	Description	Mfr Code	Mfr Part Number
ABL6	9140-0179	1	14	INDUCTOR RF-CH-MLD 22UH 10X .166DX,385LC	28480	9140-0179
ABL7	9140-0179	1		INDUCTOR RF-CH-MLD 22UH 10X .166DX,385LC	28480	9140-0179
ABQ1	1854-0092	2	12	TRANSISTOR NPN 6I PD=200MW FT=600MHZ	28480	1854-0092
ABQ2	1854-0345	8		TRANSISTOR NPN 2N5179 6I TO-72 PD=200MW	04713	2N5179
ABQ3	1853-0451	5		TRANSISTOR PNP 2N3799 6I TO-18 PD=360MW	01295	2N3799
ABQ4	1853-0451	5		TRANSISTOR PNP 2N3799 6I TO-18 PD=360MW	01295	2N3799
ABQ5	1853-0451	5		TRANSISTOR PNP 2N3799 6I TO-18 PD=360MW	01295	2N3799
ABQ6	1854-0087	5	5	TRANSISTOR NPN 6I PD=360MW FT=75MHZ	28480	1854-0087
ABQ7	1855-0081	1	3	TRANSISTOR J-FET MACHAN D-MODE 6I	28480	1855-0081
ABQ8 †	1853-0036	2	29	TRANSISTOR PNP 6I PD=310MW FT=250MHZ	28480	1853-0036
ABQ9 †	1853-0036	2		TRANSISTOR PNP 6I PD=310MW FT=250MHZ	28480	1853-0036
ABQ10 †	1853-0036	2		TRANSISTOR PNP 6I PD=310MW FT=250MHZ	28480	1853-0036
ABQ11 †	1853-0036	2		TRANSISTOR PNP 6I PD=310MW FT=250MHZ	28480	1853-0036
ABQ12	1854-0087	5		TRANSISTOR NPN 6I PD=360MW FT=75MHZ	28480	1854-0087
ABR1				NOT ASSIGNED		
ABR2	0757-0428	1		RESISTOR 1.62K 1X .125W F TC=0+-100	24546	CA-1/8-T0-1621-F
ABR3	0757-0428	1		RESISTOR 1.62K 1X .125W F TC=0+-100	24546	CA-1/8-T0-1621-F
ABR4	0757-0428	1		RESISTOR 1.62K 1X .125W F TC=0+-100	24546	CA-1/8-T0-1621-F
ABR5	0757-0428	1		RESISTOR 1.62K 1X .125W F TC=0+-100	24546	CA-1/8-T0-1621-F
ABR6	0757-0442	9		RESISTOR 10K 1X .125W F TC=0+-100	24546	CA-1/8-T0-1002-F
ABR7	0757-0442	9		RESISTOR 10K 1X .125W F TC=0+-100	24546	CA-1/8-T0-1002-F
ABR8	0757-0442	9		RESISTOR 10K 1X .125W F TC=0+-100	24546	CA-1/8-T0-1002-F
ABR9	0757-0442	9		RESISTOR 10K 1X .125W F TC=0+-100	24546	CA-1/8-T0-1002-F
ABR10	0757-0479	2	3	RESISTOR 392K 1X .125W F TC=0+-100	19701	MFAC1/8-T0-3923-F
ABR11	0757-0472	5	3	RESISTOR 200K 1X .125W F TC=0+-100	24546	CA-1/8-T0-2003-F
ABR12	0757-0465	6	3	RESISTOR 100K 1X .125W F TC=0+-100	24546	CA-1/8-T0-1003-F
ABR13	0698-3228	9		RESISTOR 49.9K 1X .125W F TC=0+-100	28480	0698-3228
ABR14				NOT ASSIGNED		
ABR15	0698-3155	1		RESISTOR 4.64K 1X .125W F TC=0+-100	24546	CA-1/8-T0-4641-F
ABR16	0757-0442	9		RESISTOR 10K 1X .125W F TC=0+-100	24546	CA-1/8-T0-1002-F
ABR17	0698-3151	7		RESISTOR 2.87K 1X .125W F TC=0+-100	24546	CA-1/8-T0-2871-F
ABR18	0698-3157	3	3	RESISTOR 19.6K 1X .125W F TC=0+-100	24546	CA-1/8-T0-1962-F
ABR19	0757-0200	7		RESISTOR 5.62K 1X .125W F TC=0+-100	24546	CA-1/8-T0-5621-F
ABR20	0757-0199	3	4	RESISTOR 21.5K 1X .125W F TC=0+-100	24546	CA-1/8-T0-2152-F
ABR21	0698-0085	0		RESISTOR 2.61K 1X .125W F TC=0+-100	24546	CA-1/8-T0-2611-F
ABR22	0757-0421	4		RESISTOR 825 1X .125W F TC=0+-100	24546	CA-1/8-T0-825R-F
ABR23	0698-4037	0	2	RESISTOR 46.4 1X .125W F TC=0+-100	24546	CA-1/8-T0-464R-F
ABR24	2100-1760	7		RESISTOR-TRMR 5K 5X WW SIDE-ADJ 1-TRN	28480	2100-1760
ABR25	0698-4002	9	2	RESISTOR 5K 1X .125W F TC=0+-100	24546	CA-1/8-T0-5001-F
ABR26	2100-1759	4	3	RESISTOR-TRMR 2K 5X WW SIDE-ADJ 1-TRN	28480	2100-1759
ABR27	0698-3157	3		RESISTOR 19.6K 1X .125W F TC=0+-100	24546	CA-1/8-T0-1962-F
ABR28	0698-3158	4		RESISTOR 23.7K 1X .125W F TC=0+-100	24546	CA-1/8-T0-2372-F
ABR29				NOT ASSIGNED		
ABR30	0698-3156	2		RESISTOR 14.7K 1X .125W F TC=0+-100	24546	CA-1/8-T0-1472-F
ABR31	0757-0441	8		RESISTOR 8.25K 1X .125W F TC=0+-100	24546	CA-1/8-T0-8251-F
ABR32	0757-0279	0		RESISTOR 3.16K 1X .125W F TC=0+-100	24546	CA-1/8-T0-3161-F
ABR33	0698-0082	7		RESISTOR 46.4 1X .125W F TC=0+-100	24546	CA-1/8-T0-4640-F
ABR34	0757-0443	0	2	RESISTOR 11K 1X .125W F TC=0+-100	24546	CA-1/8-T0-1102-F
ABR35	0757-0199	3		RESISTOR 21.5K 1X .125W F TC=0+-100	24546	CA-1/8-T0-2152-F
ABR36	0757-0442	9		RESISTOR 10K 1X .125W F TC=0+-100	24546	CA-1/8-T0-1002-F
ABR37				NOT ASSIGNED		
ABR38	0757-0401	0		RESISTOR 100 1X .125W F TC=0+-100	24546	CA-1/8-T0-101-F
ABR39	0683-8245	9	3	RESISTOR 820K 5X .125W FC TC=800/+900	01121	CB8245
ABR40	0698-3243	8	7	RESISTOR 178K 1X .125W F TC=0+-100	24546	CA-1/8-T0-1783-F
ABR41	0757-0442	9		RESISTOR 10K 1X .125W F TC=0+-100	24546	CA-1/8-T0-1002-F
ABR42	0698-3448	7		RESISTOR 196 1X .125W F TC=0+-100	24546	CA-1/8-T0-196R-F
ABR43	0698-0082	7		RESISTOR 46.4 1X .125W F TC=0+-100	24546	CA-1/8-T0-4640-F
ABR44	0757-0200	7		RESISTOR 5.62K 1X .125W F TC=0+-100	24546	CA-1/8-T0-5621-F
ABR45	0698-3154	0		RESISTOR 4.22K 1X .125W F TC=0+-100	24546	CA-1/8-T0-4221-F
ABR46	0698-3445	2		RESISTOR 348 1X .125W F TC=0+-100	24546	CA-1/8-T0-348R-F
ABR47	0757-0403	2	3	RESISTOR 121 1X .125W F TC=0+-100	24546	CA-1/8-T0-121R-F
ABR48	0698-3444	1		RESISTOR 316 1X .125W F TC=0+-100	24546	CA-1/8-T0-316R-F
ABR49	0698-3445	2		RESISTOR 348 1X .125W F TC=0+-100	24546	CA-1/8-T0-348R-F
ABR50	0698-3438	3		RESISTOR 147 1X .125W F TC=0+-100	24546	CA-1/8-T0-147R-F
ABU1	1820-0054	5		IC GATE TTL NAND QUAD 2-IMP	01295	SN7400N
ABU2	1820-0054	5		IC GATE TTL NAND QUAD 2-IMP	01295	SN7400N
ABU3	1820-0450	5	1	IC CNTR TTL DECD NEG-EDGE-TRIG	18324	N8290N
A9	08660-60045	9	1	CABLE ASSEMBLY, LOOP BOX	28480	08660-60045
A9M1	8120-1614	8	1	CABLE-FL-RBN 28AWG 28-CNDCY CRA-JKT	28480	8120-1614
A9A1	08660-60037	9	1	BOARD ASSEMBLY, DIGITAL PROGRAM	28480	08660-60037

See introduction to this section for ordering information

†Indicates factory selected value

‡BACKDATING INFORMATION IN SECTION VII.

Table 6-3. Replaceable Parts

Reference Designation	HP Part Number	C D	Qty	Description	Mfr Code	Mfr Part Number
A9A1E1	0360-1636	4	1	CABLE TRANSITION 34-TERM INSUL DEPL TYPE	28480	0360-1636
A9A1R1	0698-7210	7	28	RESISTOR 82.5 1% .05W F TC=0+-100	24546	C3-1/8-T00-B2R5-C
A9A1R2	0698-7210	7		RESISTOR 82.5 1% .05W F TC=0+-100	24546	C3-1/8-T00-B2R5-C
A9A1R3	0698-7210	7		RESISTOR 82.5 1% .05W F TC=0+-100	24546	C3-1/8-T00-B2R5-C
A9A1R4	0698-7210	7		RESISTOR 82.5 1% .05W F TC=0+-100	24546	C3-1/8-T00-B2R5-C
A9A1R5	0698-7210	7		RESISTOR 82.5 1% .05W F TC=0+-100	24546	C3-1/8-T00-B2R5-C
A9A1R6	0698-7210	7		RESISTOR 82.5 1% .05W F TC=0+-100	24546	C3-1/8-T00-B2R5-C
A9A1R7	0698-7210	7		RESISTOR 82.5 1% .05W F TC=0+-100	24546	C3-1/8-T00-B2R5-C
A9A1R8	0698-7210	7		RESISTOR 82.5 1% .05W F TC=0+-100	24546	C3-1/8-T00-B2R5-C
A9A1R9	0698-7210	7		RESISTOR 82.5 1% .05W F TC=0+-100	24546	C3-1/8-T00-B2R5-C
A9A1R10	0698-7210	7		RESISTOR 82.5 1% .05W F TC=0+-100	24546	C3-1/8-T00-B2R5-C
A9A1R11	0698-7210	7		RESISTOR 82.5 1% .05W F TC=0+-100	24546	C3-1/8-T00-B2R5-C
A9A1R12	0698-7210	7		RESISTOR 82.5 1% .05W F TC=0+-100	24546	C3-1/8-T00-B2R5-C
A9A1R13	0698-7210	7		RESISTOR 82.5 1% .05W F TC=0+-100	24546	C3-1/8-T00-B2R5-C
A9A1R14	0698-7210	7		RESISTOR 82.5 1% .05W F TC=0+-100	24546	C3-1/8-T00-B2R5-C
A9A1R15	0698-7210	7		RESISTOR 82.5 1% .05W F TC=0+-100	24546	C3-1/8-T00-B2R5-C
A9A1R16	0698-7210	7		RESISTOR 82.5 1% .05W F TC=0+-100	24546	C3-1/8-T00-B2R5-C
A9A1R17	0698-7210	7		RESISTOR 82.5 1% .05W F TC=0+-100	24546	C3-1/8-T00-B2R5-C
A9A1R18	0698-7210	7		RESISTOR 82.5 1% .05W F TC=0+-100	24546	C3-1/8-T00-B2R5-C
A9A1R19	0698-7210	7		RESISTOR 82.5 1% .05W F TC=0+-100	24546	C3-1/8-T00-B2R5-C
A9A1R20	0698-7210	7		RESISTOR 82.5 1% .05W F TC=0+-100	24546	C3-1/8-T00-B2R5-C
A9A1R21	0698-7210	7		RESISTOR 82.5 1% .05W F TC=0+-100	24546	C3-1/8-T00-B2R5-C
A9A1R22	0698-7210	7		RESISTOR 82.5 1% .05W F TC=0+-100	24546	C3-1/8-T00-B2R5-C
A9A1R23	0698-7210	7		RESISTOR 82.5 1% .05W F TC=0+-100	24546	C3-1/8-T00-B2R5-C
A9A1R24	0698-7210	7		RESISTOR 82.5 1% .05W F TC=0+-100	24546	C3-1/8-T00-B2R5-C
A9A1R25	0698-7210	7		RESISTOR 82.5 1% .05W F TC=0+-100	24546	C3-1/8-T00-B2R5-C
A9A1R26	0698-7210	7		RESISTOR 82.5 1% .05W F TC=0+-100	24546	C3-1/8-T00-B2R5-C
A9A1R27	0698-7210	7		RESISTOR 82.5 1% .05W F TC=0+-100	24546	C3-1/8-T00-B2R5-C
A9A1R28	0698-7210	7		RESISTOR 82.5 1% .05W F TC=0+-100	24546	C3-1/8-T00-B2R5-C
A10	08660-60013	1	1	BOARD ASSEMBLY, M3 PHASE DETECTOR (EXCEPT OPTION 004)	28480	08660-60013
A10C1	0160-2055	9		CAPACITOR-FXD .01UF +80-20% 100VDC CER	28480	0160-2055
A10C2	0160-2055	9		CAPACITOR-FXD .01UF +80-20% 100VDC CER	28480	0160-2055
A10C3	0160-2055	9		CAPACITOR-FXD .01UF +80-20% 100VDC CER	28480	0160-2055
A10C4	0180-2204	4	2	CAPACITOR-FXD 50UF+75-10% 25VDC AL	56289	3005060250CC2
A10C5	0180-2228	6		CAPACITOR-FXD 60UF+-10% 6VDC TA	56289	1500606X9006R2
A10C6	0150-0121	5		CAPACITOR-FXD .1UF +80-20% 50VDC CER	28480	0150-0121
A10C7	0150-0121	5		CAPACITOR-FXD .1UF +80-20% 50VDC CER	28480	0150-0121
A10C8	0160-0157	8	2	CAPACITOR-FXD 4700PF +-10% 200VDC POLYE	28480	0160-0157
A10C9	0160-2055	9		CAPACITOR-FXD .01UF +80-20% 100VDC CER	28480	0160-2055
A10C10	0150-0121	5		CAPACITOR-FXD .1UF +80-20% 50VDC CER	28480	0150-0121
A10C11	0150-0121	5		CAPACITOR-FXD .1UF +80-20% 50VDC CER	28480	0150-0121
A10C12	0160-2055	9		CAPACITOR-FXD .01UF +80-20% 100VDC CER	28480	0160-2055
A10C13	0140-0172	5	2	CAPACITOR-FXD 3000PF +-1% 100VDC MICA	72136	DM19F302F0100MVICR
A10C14	0180-0229	7		CAPACITOR-FXD 33UF+-10% 10VDC TA	56289	1500336X9010R2
A10C15	0160-2055	9		CAPACITOR-FXD .01UF +80-20% 100VDC CER	28480	0160-2055
A10C16	0150-0121	5		CAPACITOR-FXD .1UF +80-20% 50VDC CER	28480	0150-0121
A10C17	0150-0121	5		CAPACITOR-FXD .1UF +80-20% 50VDC CER	28480	0150-0121
A10C18	0150-0121	5		CAPACITOR-FXD .1UF +80-20% 50VDC CER	28480	0150-0121
A10C19	0160-2055	9		CAPACITOR-FXD .01UF +80-20% 100VDC CER	28480	0160-2055
A10C20	0160-2055	9		CAPACITOR-FXD .01UF +80-20% 100VDC CER	28480	0160-2055
A10C21	0160-2055	9		CAPACITOR-FXD .01UF +80-20% 100VDC CER	28480	0160-2055
A10C22	0160-3539	6	2	CAPACITOR-FXD 820PF +-5% 100VDC MICA	28480	0160-3539
A10C23	0160-2453	1	2	CAPACITOR-FXD .22UF +-10% 80VDC POLYE	28480	0160-2453
A10C24	0170-0048	9	2	CAPACITOR-FXD .047UF +-10% 200VDC POLYE	56289	292P47392
A10CR1	1901-0040	1	1	DIODE-SWITCHING 30V 50MA 2N5 00-35	28480	1901-0040
A10CR2	1901-0040	1	1	DIODE-SWITCHING 30V 50MA 2N5 00-35	28480	1901-0040
A10CR3	1901-0179	7	1	DIODE-SWITCHING 15V 50MA 750PS 00-7	28480	1901-0179
A10CR4	1901-0179	7	1	DIODE-SWITCHING 15V 50MA 750PS 00-7	28480	1901-0179
A10L1	9100-1629	4	1	INDUCTOR RF-CH-MLD 47UH 5% .166DX.3B5LC	28480	9100-1629
A10L2	9140-0114	4	1	INDUCTOR RF-CH-MLD 10UH 10% .166DX.3B5LC	28480	9140-0114
A10L3	9100-1629	4	1	INDUCTOR RF-CH-MLD 47UH 5% .166DX.3B5LC	28480	9100-1629
A10L4	9140-0179	1	1	INDUCTOR RF-CH-MLD 22UH 10% .166DX.3B5LC	28480	9140-0179
A10L5	9100-1650	1	2	INDUCTOR RF-CH-MLD 680UH 5% .2DX.45LC	28480	9100-1650
A10L6	9140-0114	4	1	INDUCTOR RF-CH-MLD 10UH 10% .166DX.3B5LC	28480	9140-0114
A10L7	9100-1652	3	2	INDUCTOR RF-CH-MLD 820UH 5% .2DX.45LC	28480	9100-1652
A10Q1	1853-0034	0	1	TRANSISTOR PNP 6I TO-18 PD=360MW	28480	1853-0034
A10Q2	1853-0034	0	1	TRANSISTOR PNP 6I TO-18 PD=360MW	28480	1853-0034
A10Q3	1853-0034	0	1	TRANSISTOR PNP 6I TO-18 PD=360MW	28480	1853-0034
A10Q4	1853-0049	1	1	TRANSISTOR-JFET DUAL N-CHAN D-MODE 6I	28480	1853-0049
A10Q5	1854-0045	5	1	TRANSISTOR NPN 6I TO-18 PD=500MW	28480	1854-0045

See introduction to this section for ordering information
 *Indicates factory selected value

Table 6-3. Replaceable Parts

Reference Designation	HP Part Number	C D	Qty	Description	Mfr Code	Mfr Part Number
A10Q6	1853-0015	7		TRANSISTOR PNP SI PD=200MHZ FT=500MHZ	28480	1853-0015
A10Q7	1854-0092	2		TRANSISTOR NPN SI PD=200MHZ FT=600MHZ	28480	1854-0092
A10R1	0698-0082	7		RESISTOR 464 1% .125W F TC=0+-100	24546	CA-1/8-T0-4640-F
A10R2	0757-0289	2	2	RESISTOR 13.3K 1% .125W F TC=0+-100	19701	MFAC1/8-T0-1332-F
A10R3	0757-0439	4		RESISTOR 6.81K 1% .125W F TC=0+-100	24546	CA-1/8-T0-6811-F
A10R4	0698-0085	0		RESISTOR 2.61K 1% .125W F TC=0+-100	24546	CA-1/8-T0-2611-F
A10R5	0757-0416	7		RESISTOR 511 1% .125W F TC=0+-100	24546	CA-1/8-T0-511R-F
A10R6	0698-3446	3		RESISTOR 383 1% .125W F TC=0+-100	24546	CA-1/8-T0-383R-F
A10R7	0757-0424	7		RESISTOR 1.1K 1% .125W F TC=0+-100	24546	CA-1/8-T0-1101-F
A10R8	0757-0416	7		RESISTOR 511 1% .125W F TC=0+-100	24546	CA-1/8-T0-511R-F
A10R9	0757-0442	9		RESISTOR 10K 1% .125W F TC=0+-100	24546	CA-1/8-T0-1002-F
A10R10	0757-0442	9		RESISTOR 10K 1% .125W F TC=0+-100	24546	CA-1/8-T0-1002-F
A10R11	0698-3450	9	2	RESISTOR 42.2K 1% .125W F TC=0+-100	24546	CA-1/8-T0-4222-F
A10R12	0757-0447	4		RESISTOR 16.2K 1% .125W F TC=0+-100	24546	CA-1/8-T0-1622-F
A10R13	0757-0424	7		RESISTOR 1.1K 1% .125W F TC=0+-100	24546	CA-1/8-T0-1101-F
A10R14	0757-0416	7		RESISTOR 511 1% .125W F TC=0+-100	24546	CA-1/8-T0-511R-F
A10R15	0757-0421	4		RESISTOR 825 1% .125W F TC=0+-100	24546	CA-1/8-T0-825R-F
A10R16	0757-0424	7		RESISTOR 1.1K 1% .125W F TC=0+-100	24546	CA-1/8-T0-1101-F
A10R17	0698-3430	5	2	RESISTOR 21.5 1% .125W F TC=0+-100	03888	PM55-1/8-T0-21R5-F
A10R18	0698-3447	4		RESISTOR 422 1% .125W F TC=0+-100	24546	CA-1/8-T0-422R-F
A10R19	0757-0279	0		RESISTOR 3.16K 1% .125W F TC=0+-100	24546	CA-1/8-T0-3161-F
A10R20	0757-0421	4		RESISTOR 825 1% .125W F TC=0+-100	24546	CA-1/8-T0-825R-F
A10R21	0757-0442	9		RESISTOR 10K 1% .125W F TC=0+-100	24546	CA-1/8-T0-1002-F
A10R22	0757-0279	0		RESISTOR 3.16K 1% .125W F TC=0+-100	24546	CA-1/8-T0-3161-F
A10R23	0757-0279	0		RESISTOR 3.16K 1% .125W F TC=0+-100	24546	CA-1/8-T0-3161-F
A10R24	0698-3153	9		RESISTOR 3.03K 1% .125W F TC=0+-100	24546	CA-1/8-T0-3031-F
A10R25	0757-0394	0		RESISTOR 51.1 1% .125W F TC=0+-100	24546	CA-1/8-T0-511R-F
A10R26	0757-0394	0		RESISTOR 51.1 1% .125W F TC=0+-100	24546	CA-1/8-T0-511R-F
A10R27	0757-0416	7		RESISTOR 511 1% .125W F TC=0+-100	24546	CA-1/8-T0-511R-F
A10R28	0757-0416	7		RESISTOR 511 1% .125W F TC=0+-100	24546	CA-1/8-T0-511R-F
A10R29	0757-0442	9		RESISTOR 10K 1% .125W F TC=0+-100	24546	CA-1/8-T0-1002-F
A10R30	0757-0280	7		RESISTOR 5.62K 1% .125W F TC=0+-100	24546	CA-1/8-T0-5621-F
A10R31	0757-0424	7		RESISTOR 1.1K 1% .125W F TC=0+-100	24546	CA-1/8-T0-1101-F
A10R32	0757-0438	3		RESISTOR 5.11K 1% .125W F TC=0+-100	24546	CA-1/8-T0-5111-F
A10R33	0757-0444	1		RESISTOR 12.1K 1% .125W F TC=0+-100	24546	CA-1/8-T0-1212-F
A10R34	0757-0424	7		RESISTOR 1.1K 1% .125W F TC=0+-100	24546	CA-1/8-T0-1101-F
A10R35	0757-0444	1		RESISTOR 12.1K 1% .125W F TC=0+-100	24546	CA-1/8-T0-1212-F
A10R36	0757-0280	3		RESISTOR 1K 1% .125W F TC=0+-100	24546	CA-1/8-T0-1001-F
A10T1	08660-80001	9	2	TRANSFORMER, SAMPLER	28480	08660-80001
A10U1	1820-1213	0	4	IC FF TTL L6 J-K NEG-EDGE-TRIG PRESET	01295	SN74LS113AN
A10U2	1820-1213	0		IC FF TTL L6 J-K NEG-EDGE-TRIG PRESET	01295	SN74LS113AN
A10U3	1820-1203	0	2	IC GATE TTL L6 AND TPL 3-IMP	01295	SN74LS11N
A10U4	1820-0751	9	7	IC CNTR TTL DECD NEG-EDGE-TRIG PRESET	01295	SN74196N
A10U5	1820-0751	9		IC CNTR TTL DECD NEG-EDGE-TRIG PRESET	01295	SN74196N
A10U6	1820-0751	9		IC CNTR TTL DECD NEG-EDGE-TRIG PRESET	01295	SN74196N
A10U7	1820-0054	5		IC GATE TTL NAND QUAD 2-IMP	01295	SN7400N
A11	08660-60019	7	1	BOARD ASSEMBLY, 6L2 OSCILLATOR (EXCEPT OPTION 004)	28480	08660-60019
A11	08660-60040	4	2	BOARD ASSEMBLY, N2 LOOP-6L1 LOOP COUPLER (OPTION 004 ONLY)	28480	08660-60040
A11C1	0150-0121	5		CAPACITOR-FXD .1UF +80-20% 50VDC CER	28480	0150-0121
A11C2	0180-0058	0		CAPACITOR-FXD 50UF+75-10% 25VDC AL	56289	30D506G025CC2
A11C3	0180-1704	5		CAPACITOR-FXD 47UF+-10% 6VDC TA	56289	150D476X9006R2
A11C4	0180-2214	4		CAPACITOR-FXD 90UF+75-10% 16VDC AL	56289	30D906G016CC2
A11C5	0150-0121	5		CAPACITOR-FXD .1UF +80-20% 50VDC CER	28480	0150-0121
A11C6	0160-0174	9		CAPACITOR-FXD .47UF +80-20% 25VDC CER	28480	0160-0174
A11C7	0180-0049	9		CAPACITOR-FXD 20UF+75-10% 50VDC AL	56289	30D206G050CC2
A11C8	0160-0174	9		CAPACITOR-FXD .47UF +80-20% 25VDC CER	28480	0160-0174
A11C9	0180-0116	1		CAPACITOR-FXD 6.8UF+-10% 35VDC TA	56289	150D685X9035R2
A11C10	0180-2210	0	2	CAPACITOR-FXD 2UF+50-10% 150VDC AL	56289	30D205F150B2
A11C11	0150-0121	5		CAPACITOR-FXD .1UF +80-20% 50VDC CER	28480	0150-0121
A11C12	0180-0374	3	3	CAPACITOR-FXD 10UF+-10% 20VDC TA	56289	150D106X9020R2
A11C13	0160-2055	9		CAPACITOR-FXD .01UF +80-20% 100VDC CER	28480	0160-2055
A11C14	0160-0386	5		CAPACITOR-FXD 3.3PF +- .25PF 500VDC CER	28480	0160-0386
A11C15	0160-4084	8		CAPACITOR-FXD .1UF +-20% 50VDC CER	28480	0160-4084
A11C16	0160-4084	8		CAPACITOR-FXD .1UF +-20% 50VDC CER	28480	0160-4084
A11C17	0121-0059	7	2	CAPACITOR-V TRHM-CER 2-BPF 350V PC-MTC	52763	304324 2/BPF NFD
A11C18	0160-2204	0		CAPACITOR-FXD 100PF +-5% 300VDC NICA	28480	0160-2204
A11C19	0160-0386	5		CAPACITOR-FXD 3.3PF +- .25PF 500VDC CER	28480	0160-0386
A11C20	0160-0386	5		CAPACITOR-FXD 3.3PF +- .25PF 500VDC CER	28480	0160-0386
A11C21	0160-2055	9		CAPACITOR-FXD .01UF +80-20% 100VDC CER	28480	0160-2055
A11C22	0160-2055	9		CAPACITOR-FXD .01UF +80-20% 100VDC CER	28480	0160-2055
A11C23	0160-2055	9		CAPACITOR-FXD .01UF +80-20% 100VDC CER	28480	0160-2055
A11C24	0160-2055	9		CAPACITOR-FXD .01UF +80-20% 100VDC CER	28480	0160-2055
A11C25	0180-0228	6		CAPACITOR-FXD 22UF+-10% 15VDC TA	56289	150D226X9015R2

See introduction to this section for ordering information
*Indicates factory selected value

Table 6-3. Replaceable Parts

Reference Designation	HP Part Number	C D	Qty	Description	Mfr Code	Mfr Part Number
A11C26	0180-2207	5		CAPACITOR-FXD 100UF+-10% 10VDC TA	56289	150D107X9010R2
A11C27	0180-0116	1		CAPACITOR-FXD 5.0UF+-10% 35VDC TA	56289	150D685X9035B2
A11C28	0160-222B	B	1	CAPACITOR-FXD 2700PF +-5% 300VDC MICA	28480	0160-222B
A11CR1	1901-0040	1		DIODE-SWITCHING 30V 50MA 2NS DO-35	28480	1901-0040
A11CR2	1901-0040	1		DIODE-SWITCHING 30V 50MA 2NS DO-35	28480	1901-0040
A11CR3	1901-0040	1		DIODE-SWITCHING 30V 50MA 2NS DO-35	28480	1901-0040
A11CR4	1901-0040	1		DIODE-SWITCHING 30V 50MA 2NS DO-35	28480	1901-0040
A11CR5	1901-0040	1		DIODE-SWITCHING 30V 50MA 2NS DO-35	28480	1901-0040
A11CR6	1901-0040	1		DIODE-SWITCHING 30V 50MA 2NS DO-35	28480	1901-0040
A11CR7	1901-0040	1		DIODE-SWITCHING 30V 50MA 2NS DO-35	28480	1901-0040
A11CR8	1901-0040	1		DIODE-SWITCHING 30V 50MA 2NS DO-35	28480	1901-0040
A11CR9	1901-0040	1		DIODE-SWITCHING 30V 50MA 2NS DO-35	28480	1901-0040
A11CR10	1901-0040	1		DIODE-SWITCHING 30V 50MA 2NS DO-35	28480	1901-0040
A11CR11	1901-0040	1		DIODE-SWITCHING 30V 50MA 2NS DO-35	28480	1901-0040
A11CR12	1901-0040	1		DIODE-SWITCHING 30V 50MA 2NS DO-35	28480	1901-0040
A11CR13	0122-0264	B	2	DIODE-VVC 1N514BA 47PF 5% C4/C60-MIN=3.2	04713	1N514BA
A11CR14	0122-0262	B	2	DIODE-VVC 1N5147A 39PF 5% C4/C60-MIN=3.2	04713	1N5147A
A11CR15	1901-0040	1		DIODE-SWITCHING 30V 50MA 2NS DO-35	28480	1901-0040
A11CR16	1901-051B	B	1	DIODE-5M BIG SCHOTTKY	28480	1901-051B
A11L1	9100-1629	4		INDUCTOR RF-CH-MLD 47UH 5% .166DX.385LC	28480	9100-1629
A11L2	9140-0114	4		INDUCTOR RF-CH-MLD 10UH 10% .166DX.385LC	28480	9140-0114
A11L3	9100-1629	4		INDUCTOR RF-CH-MLD 47UH 5% .166DX.385LC	28480	9100-1629
A11L4	9100-1629	4		INDUCTOR RF-CH-MLD 47UH 5% .166DX.385LC	28480	9100-1629
A11L5	9140-0179	1		INDUCTOR RF-CH-MLD 22UH 10% .166DX.385LC	28480	9140-0179
A11L6	9140-0179	1		INDUCTOR RF-CH-MLD 22UH 10% .166DX.385LC	28480	9140-0179
A11L7	9100-1629	4		INDUCTOR RF-CH-MLD 47UH 5% .166DX.385LC	28480	9100-1629
A11L8†	08660-80025	7		COIL-650MH	28480	08660-80025
A11L9	9140-0179	1		INDUCTOR RF-CH-MLD 22UH 10% .166DX.385LC	28480	9140-0179
A11L10	9140-0179	1		INDUCTOR RF-CH-MLD 22UH 10% .166DX.385LC	28480	9140-0179
A11L11	9140-0129	1		INDUCTOR RF-CH-MLD 226UH 5% .166DX.385LC	28480	9140-0129
A11L12	9100-0368	6	1	INDUCTOR RF-CH-MLD 330NH 10% .105DX.26LC	28480	9100-0368
A11Q1	1854-0092	2		TRANSISTOR NPN 6I PD=200MW FT=600MHZ	28480	1854-0092
A11Q2	1855-0081	2		TRANSISTOR J-FET N-CHAN D-MODE 6I	28480	1855-0081
A11Q3	1854-0345	B		TRANSISTOR NPN 2N5179 6I VO=72 PD=200MW	04713	2N5179
A11Q4	1853-0451	5		TRANSISTOR PNP 2N3799 6I TO-18 PD=360MW	01295	2N3799
A11Q5	1853-0451	5		TRANSISTOR PNP 2N3799 6I TO-18 PD=360MW	01295	2N3799
A11Q6	1854-0087	3		TRANSISTOR NPN 6I PD=360MW FT=75MHZ	28480	1854-0087
A11Q7†	1853-0036	2		TRANSISTOR PNP 6I PD=310MW FT=250MHZ	28480	1853-0036
A11Q8†	1853-0036	2		TRANSISTOR PNP 6I PD=310MW FT=250MHZ	28480	1853-0036
A11Q9	1853-0036	2		TRANSISTOR PNP 6I PD=310MW FT=250MHZ	28480	1853-0036
A11Q10	1853-0036	2		TRANSISTOR PNP 6I PD=310MW FT=250MHZ	28480	1853-0036
A11Q11	1853-0036	2		TRANSISTOR PNP 6I PD=310MW FT=250MHZ	28480	1853-0036
A11Q12	1853-0036	2		TRANSISTOR PNP 6I PD=310MW FT=250MHZ	28480	1853-0036
A11Q13	1853-0036	2		TRANSISTOR PNP 6I PD=310MW FT=250MHZ	28480	1853-0036
A11Q14†	1853-0036	2		TRANSISTOR PNP 6I PD=310MW FT=250MHZ	28480	1853-0036
A11Q15†	1853-0451	5		TRANSISTOR PNP 2N3799 6I TO-18 PD=360MW	01295	2N3799
A11Q16†	1853-0036	2		TRANSISTOR PNP 6I PD=310MW FT=250MHZ	28480	1853-0036
A11Q17†	1853-0036	2		TRANSISTOR PNP 6I PD=310MW FT=250MHZ	28480	1853-0036
A11Q18†	1853-0036	2		TRANSISTOR PNP 6I PD=310MW FT=250MHZ	28480	1853-0036
A11Q19†	1853-0036	2		TRANSISTOR PNP 6I PD=310MW FT=250MHZ	28480	1853-0036
A11Q20†	1853-0036	2		TRANSISTOR PNP 6I PD=310MW FT=250MHZ	28480	1853-0036
A11R1	0698-0083	B		RESISTOR 1.96K 1% .125W F TC=0+-100	24546	C4-1/B-TD-1961-F
A11R2	0698-0083	B		RESISTOR 1.96K 1% .125W F TC=0+-100	24546	C4-1/B-TD-1961-F
A11R3	0698-0083	B		RESISTOR 1.96K 1% .125W F TC=0+-100	24546	0A-1/B-TD-1961-F
A11R4	0698-0083	B		RESISTOR 1.96K 1% .125W F TC=0+-100	24546	C4-1/B-TD-1961-F
A11R5	0757-0442	9		RESISTOR 10K 1% .125W F TC=0+-100	24546	C4-1/B-TD-1002-F
A11R6	0757-0442	9		RESISTOR 10K 1% .125W F TC=0+-100	24546	C4-1/B-TD-1002-F
A11R7	0757-0442	9		RESISTOR 10K 1% .125W F TC=0+-100	24546	C4-1/B-TD-1002-F
A11R8	0757-0442	9		RESISTOR 10K 1% .125W F TC=0+-100	24546	C4-1/B-TD-1002-F
A11R9	0757-0479	2		RESISTOR 392K 1% .125W F TC=0+-100	19701	MF4C1/B-TD-3923-F
A11R10	0757-0472	3		RESISTOR 200K 1% .125W F TC=0+-100	24546	C4-1/B-TD-2003-F
A11R11	0757-0465	5		RESISTOR 100K 1% .125W F TC=0+-100	24546	C4-1/B-TD-1003-F
A11R12	0698-322B	9		RESISTOR 49.9K 1% .125W F TC=0+-100	28480	0698-322B
A11R13	0757-0274	5		RESISTOR 1.21K 1% .125W F TC=0+-100	24546	C4-1/B-TD-1211-F
A11R14	0757-0460	1		RESISTOR 61.9K 1% .125W F TC=0+-100	24546	C4-1/B-TD-6192-F
A11R15	2100-1760	7		RESISTOR-TMR 5K 5% WW GIDE-ADJ 1-TRN	28480	2100-1760
A11R16	0698-3156	2		RESISTOR 14.7K 1% .125W F TC=0+-100	24546	C4-1/B-TD-1472-F
A11R17	0698-0083	B		RESISTOR 1.96K 1% .125W F TC=0+-100	24546	C4-1/B-TD-1961-F
A11R18	0757-0442	9		RESISTOR 10K 1% .125W F TC=0+-100	24546	C4-1/B-TD-1002-F
A11R19	2100-1759	4		RESISTOR-TMR 2K 5% WW GIDE-ADJ 1-TRN	28480	2100-1759
A11R20	0757-0439	4		RESISTOR 6.81K 1% .125W F TC=0+-100	24546	C4-1/B-TD-6811-F
A11R21	0757-0200	7		RESISTOR 5.62K 1% .125W F TC=0+-100	24546	C4-1/B-TD-5621-F
A11R22	0757-0442	9		RESISTOR 10K 1% .125W F TC=0+-100	24546	C4-1/B-TD-1002-F
A11R23	0698-3440	9		RESISTOR 196 1% .125W F TC=0+-100	24546	C4-1/B-TD-196R-F
A11R24	0698-3154	B		RESISTOR 4.22K 1% .125W F TC=0+-100	24546	C4-1/B-TD-4221-F
A11R25	0698-0083	B		RESISTOR 1.96K 1% .125W F TC=0+-100	24546	C4-1/B-TD-1961-F

See introduction to this section for ordering information
 †Indicates factory selected value
 †BACKDATING INFORMATION IN SECTION VII

Table 6-3. Replaceable Parts

Reference Designation	HP Part Number	C	D	Qty	Description	Mfr Code	Mfr Part Number
A11R26	0757-0442	9			RESISTOR 10K 1% .125W F TC=0+-100	24546	CA-1/B-TD-1002-F
A11R27	0757-0458	7		2	RESISTOR 51.1K 1% .125W F TC=0+-100	24546	CA-1/B-TD-5112-F
A11R28	0757-0461	2		2	RESISTOR 68.1K 1% .125W F TC=0+-100	24546	CA-1/B-TD-6812-F
A11R29	0757-0464	5		2	RESISTOR 90.9K 1% .125W F TC=0+-100	24546	CA-1/B-TD-9092-F
A11R30	0757-0467	8		2	RESISTOR 121K 1% .125W F TC=0+-100	24546	CA-1/B-TD-1213-F
A11R31	0757-0466	7			RESISTOR 110K 1% .125W F TC=0+-100	24546	CA-1/B-TD-1103-F
A11R32	0698-3243	8			RESISTOR 178K 1% .125W F TC=0+-100	24546	CA-1/B-TD-1783-F
A11R33	0698-3243	8			RESISTOR 178K 1% .125W F TC=0+-100	24546	CA-1/B-TD-1783-F
A11R34	0698-3266	5		4	RESISTOR 237K 1% .125W F TC=0+-100	24546	CA-1/B-TD-2373-F
A11R35	0698-3266	5		5	RESISTOR 237K 1% .125W F TC=0+-100	24546	CA-1/B-TD-2373-F
A11R36	0698-3459	8		2	RESISTOR 383K 1% .125W F TC=0+-100	28480	0698-3459
A11R37	0698-3162	0		2	RESISTOR 46.4K 1% .125W F TC=0+-100	24546	CA-1/B-TD-4642-F
A11R38	0698-3155	0			RESISTOR 4.64K 1% .125W F TC=0+-100	24546	CA-1/B-TD-4641-F
A11R39	2100-2574	1		2	RESISTOR-TRMR 500 10% C SIDE-ADJ 1-TRN	30983	ET50X501
A11R40	0698-3155	1			RESISTOR 4.64K 1% .125W F TC=0+-100	24546	CA-1/B-TD-4641-F
A11R41	0698-0083	8			RESISTOR 1.96K 1% .125W F TC=0+-100	24546	CA-1/B-TD-1961-F
A11R42	0757-0442	9			RESISTOR 10K 1% .125W F TC=0+-100	24546	CA-1/B-TD-1002-F
A11R43	0698-3442	9			RESISTOR 237 1% .125W F TC=0+-100	24546	CA-1/B-TD-237R-F
A11R44	0698-3437	2			RESISTOR 133 1% .125W F TC=0+-100	24546	CA-1/B-TD-133R-F
A11R45	0757-0405	4			RESISTOR 162 1% .125W F TC=0+-100	24546	CA-1/B-TD-162R-F
A11R46	0698-3439	4			RESISTOR 178 1% .125W F TC=0+-100	24546	CA-1/B-TD-178R-F
A11R47	0698-3440	7			RESISTOR 196 1% .125W F TC=0+-100	24546	CA-1/B-TD-196R-F
A11R48	0698-3132	4			RESISTOR 261 1% .125W F TC=0+-100	24546	CA-1/B-TD-2610-F
A11R49	0698-3443	8			RESISTOR 287 1% .125W F TC=0+-100	24546	CA-1/B-TD-287R-F
A11R50	0698-3443	2			RESISTOR 348 1% .125W F TC=0+-100	24546	CA-1/B-TD-348R-F
A11R51	0698-3447	4			RESISTOR 422 1% .125W F TC=0+-100	24546	CA-1/B-TD-422R-F
A11R52	0698-0082	7			RESISTOR 464 1% .125W F TC=0+-100	24546	CA-1/B-TD-4640-F
A11R53	0757-0317	7		2	RESISTOR 1.33K 1% .125W F TC=0+-100	24546	CA-1/B-TD-1331-F
A11R54	2100-2574	3			RESISTOR-TRMR 500 10% C SIDE-ADJ 1-TRN	30983	ET50X501
A11R55	0698-3258	5		1	RESISTOR 5.36K 1% .125W F TC=0+-100	24546	CA-1/B-TD-5361-F
A11R56	0698-3132	4			RESISTOR 261 1% .125W F TC=0+-100	24546	CA-1/B-TD-2610-F
A11R57	0757-0834	3		2	RESISTOR 5.62K 1% .5W F TC=0+-100	28480	0757-0834
A11R58	0698-0083	8			RESISTOR 1.96K 1% .125W F TC=0+-100	24546	CA-1/B-TD-1961-F
A11R59	0757-0442	9			RESISTOR 10K 1% .125W F TC=0+-100	24546	CA-1/B-TD-1002-F
A11R60	2100-2633	5		3	RESISTOR-TRMR 1K 10% C SIDE-ADJ 1-TRN	30983	ET50X102
A11R61	0757-0290	5			RESISTOR 6.19K 1% .125W F TC=0+-100	19701	MFAC1/B-TD-6191-F
A11R62	0757-0441	8			RESISTOR 8.25K 1% .125W F TC=0+-100	24546	CA-1/B-TD-8251-F
A11R63	0698-0083	8			RESISTOR 1.96K 1% .125W F TC=0+-100	24546	CA-1/B-TD-1961-F
A11R64	0757-0442	9			RESISTOR 10K 1% .125W F TC=0+-100	24546	CA-1/B-TD-1002-F
A11R65	0757-0279	0			RESISTOR 3.16K 1% .125W F TC=0+-100	24546	CA-1/B-TD-3161-F
A11R66	0757-0442	9			RESISTOR 10K 1% .125W F TC=0+-100	24546	CA-1/B-TD-1002-F
A11R67	2100-2633	5			RESISTOR-TRMR 1K 10% C SIDE-ADJ 1-TRN	30983	ET50X102
A11R68	0757-0440	7			RESISTOR 7.0K 1% .125W F TC=0+-100	24546	CA-1/B-TD-7001-F
A11R69	0757-0444	1			RESISTOR 12.1K 1% .125W F TC=0+-100	24546	CA-1/B-TD-1212-F
A11R70	0698-0083	8			RESISTOR 1.96K 1% .125W F TC=0+-100	24546	CA-1/B-TD-1961-F
A11R71	0757-0442	9			RESISTOR 10K 1% .125W F TC=0+-100	24546	CA-1/B-TD-1002-F
A11R72	0698-3157	3			RESISTOR 19.6K 1% .125W F TC=0+-100	24546	CA-1/B-TD-1962-F
A11R73	2100-2521	0		2	RESISTOR-TRMR 2K 10% C SIDE-ADJ 1-TRN	30983	ET50X202
A11R74	0757-0288	1			RESISTOR 9.09K 1% .125W F TC=0+-100	19701	MFAC1/B-TD-9091-F
A11R75	0698-0083	8			RESISTOR 1.96K 1% .125W F TC=0+-100	24546	CA-1/B-TD-1961-F
A11R76	0757-0442	9			RESISTOR 10K 1% .125W F TC=0+-100	24546	CA-1/B-TD-1002-F
A11R77	2100-2521	0			RESISTOR-TRMR 2K 10% C SIDE-ADJ 1-TRN	30983	ET50X202
A11R78	0757-0444	1			RESISTOR 12.1K 1% .125W F TC=0+-100	24546	CA-1/B-TD-1212-F
A11R79	0698-0083	8			RESISTOR 1.96K 1% .125W F TC=0+-100	24546	CA-1/B-TD-1961-F
A11R80	0757-0442	9			RESISTOR 10K 1% .125W F TC=0+-100	24546	CA-1/B-TD-1002-F
A11R81	0683-8245	9			RESISTOR 820K 5% .25W FC TC=-800/+900	01121	CR8245
A11R82	0698-3243	8			RESISTOR 178K 1% .125W F TC=0+-100	24546	CA-1/B-TD-1783-F
A11R83	2100-2489	9		1	RESISTOR-TRMR 5K 10% C SIDE-ADJ 1-TRN	30983	ET50X502
A11R84	0698-3136	8			RESISTOR 17.8K 1% .125W F TC=0+-100	24546	CA-1/B-TD-1782-F
A11R85	0698-3440	7			RESISTOR 196 1% .125W F TC=0+-100	24546	CA-1/B-TD-196R-F
A11R86	0698-0082	7			RESISTOR 464 1% .125W F TC=0+-100	24546	CA-1/B-TD-4640-F
A11R87	0698-0083	8			RESISTOR 1.96K 1% .125W F TC=0+-100	24546	CA-1/B-TD-1961-F
A11R88	0757-0442	9			RESISTOR 10K 1% .125W F TC=0+-100	24546	CA-1/B-TD-1002-F
A11R89	0757-0288	7			RESISTOR 9.09K 1% .125W F TC=0+-100	24546	CA-1/B-TD-9091-F
A11R90	2100-2522	1		1	RESISTOR-TRMR 10K 10% C SIDE-ADJ 1-TRN	30983	ET50X103
A11R91	0757-0123	3		1	RESISTOR 34.8K 1% .125W F TC=0+-100	28480	0757-0123
A11R92	0757-0403	2			RESISTOR 121 1% .125W F TC=0+-100	24546	CA-1/B-TD-121R-F
A11R93	0698-3154	0			RESISTOR 4.22K 1% .125W F TC=0+-100	24546	CA-1/B-TD-4221-F
A11R94	0698-3444	1			RESISTOR 316 1% .125W F TC=0+-100	24546	CA-1/B-TD-316R-F
A11R95	0698-0083	0			RESISTOR 2.61K 1% .125W F TC=0+-100	24546	CA-1/B-TD-2611-F
A11R96	0757-0402	1		1	RESISTOR 110 1% .125W F TC=0+-100	24546	CA-1/B-TD-111-F
A11R97	0757-0288	1			RESISTOR 9.09K 1% .125W F TC=0+-100	19701	MFAC1/B-TD-9091-F
A11R98	0698-0085	0			RESISTOR 2.61K 1% .125W F TC=0+-100	24546	CA-1/B-TD-2611-F
A11R99	0757-0421	4			RESISTOR 825 1% .125W F TC=0+-100	24546	CA-1/B-TD-825R-F
A11R100	0757-0395	1		1	RESISTOR 56.2 1% .125W F TC=0+-100	24546	CA-1/B-TD-562R-F

See introduction to this section for ordering information
 *Indicates factory selected value

Table 6-3. Replaceable Parts

Reference Designation	HP Part Number	C D	Qty	Description	Mfr Code	Mfr Part Number
A11R101	0698-3439	4		RESISTOR 178 1% .125W F TC=0+-100	24546	C4-1/B-T0-178R-F
A11R102	0698-3444	1		RESISTOR 316 1% .125W F TC=0+-100	24546	C4-1/B-T0-316R-F
A11R103	0698-3438	3		RESISTOR 147 1% .125W F TC=0+-100	24546	C4-1/B-T0-147R-F
A11R104	0698-0082	7		RESISTOR 464 1% .125W F TC=0+-100	24546	C4-1/B-T0-464R-F
A11R105	0757-0442	9		RESISTOR 10K 1% .125W F TC=0+-100	24546	C4-1/B-T0-1002-F
A11R106	0698-3441	8		RESISTOR 215 1% .125W F TC=0+-100	24546	CA-1/B-T0-215R-F
A11R107	0757-0280	3		RESISTOR 1K 1% .125W F TC=0+-100	24546	CA-1/B-T0-1001-F
A11U1	1820-0054	5		IC GATE TTL NAND QUAD 2-INP	01295	SN7460N
A11U2	1820-0214	9	1	IC DCDR TTL BCD-TO-DEC 4-TO-10-LINE	01295	SN7442AN
A11U3	1820-0054	5		IC GATE TTL NAND QUAD 2-INP	01295	SN7400N
A12	08660-60018	6	1	BOARD ASSEMBLY, 6L2 DETECTOR (EXCEPT OPTION 004)	28480	08660-60018
A12	08660-60040	4		BOARD ASSEMBLY, M2 LOOP-SL1 LOOP COUPLER (OPTION 004 ONLY)	28480	08660-60040
A12C1	0160-0174	9		CAPACITOR-FXD .47UF +80-20% 25VDC CER	28480	0160-0174
A12C2	0180-2207	5		CAPACITOR-FXD 100UF+-10% 10VDC TA	56289	150D107X9D10R2
A12C3	0160-0174	9		CAPACITOR-FXD .47UF +80-20% 25VDC CER	28480	0160-0174
A12C4	0160-0174	9		CAPACITOR-FXD .47UF +80-20% 25VDC CER	28480	0160-0174
A12C5	0160-0174	9		CAPACITOR-FXD .47UF +80-20% 25VDC CER	28480	0160-0174
A12C6	0180-0058	0		CAPACITOR-FXD 50UF+75-10% 25VDC AL	56289	30D506C025CC2
A12C7	0160-2055	9		CAPACITOR-FXD .01UF +80-20% 100VDC CER	28480	0160-2055
A12C8	0150-0121	5		CAPACITOR-FXD .1UF +80-20% 50VDC CER	28480	0150-0121
A12C9	0160-0301	4	2	CAPACITOR-FXD .012UF +-10% 200VDC POLYE	28480	0160-0301
A12C10	0160-2055	9		CAPACITOR-FXD .01UF +80-20% 100VDC CER	28480	0160-2055
A12C11	0160-0301	4		CAPACITOR-FXD .012UF +-10% 200VDC POLYE	28480	0160-0301
A12C12	0160-2261	9	2	CAPACITOR-FXD 15PF +-5% 500VDC CER 0+-30	28480	0160-2261
A12C13	0160-2261	9		CAPACITOR-FXD 15PF +-5% 500VDC CER 0+-30	28480	0160-2261
A12C14	0160-0174	9		CAPACITOR-FXD .47UF +80-20% 25VDC CER	28480	0160-0174
A12C15	0180-2141	6	1	CAPACITOR-FXD 3.3UF+-10% 50VDC TA	56289	150D335X9D50B2
A12C16	0160-2055	9		CAPACITOR-FXD .01UF +80-20% 100VDC CER	28480	0160-2055
A12C17	0180-0058	0		CAPACITOR-FXD 50UF+75-10% 25VDC AL	56289	30D506C025CC2
A12C18	0160-0299	9	2	CAPACITOR-FXD 1800PF +-10% 200VDC POLYE	28480	0160-0299
A12C19	0160-0939	4	1	CAPACITOR-FXD 430PF +-5% 300VDC MICA	28480	0160-0939
A12C20	0160-0174	9		CAPACITOR-FXD .47UF +80-20% 25VDC CER	28480	0160-0174
A12C21	0160-0299	9		CAPACITOR-FXD 1800PF +-10% 200VDC POLYE	28480	0160-0299
A12C22	0180-0291	9		CAPACITOR-FXD 1UF+-10% 35VDC TA	56289	150D105X9D35A2
A12C23	0160-2055	3		CAPACITOR-FXD .01UF +80-20% 100VDC CER	28480	0160-2055
A12C24	0160-3534	1	1	CAPACITOR-FXD 510PF +-5% 100VDC MICA	28480	0160-3534
A12C25	0180-0291	3		CAPACITOR-FXD 1UF+-10% 35VDC TA	56289	150D105X9D35A2
A12E1	10534C	8	1	MIXER, 200 MHz	28480	10534C
A12L1	9140-0179	1		INDUCTOR RF-CH-MLD 22UH 10% .166DX.385LG	28480	9140-0179
A12L2	9140-0114	4		INDUCTOR RF-CH-MLD 10UH 10% .166DX.385LG	28480	9140-0114
A12L3	9140-0179	1		INDUCTOR RF-CH-MLD 22UH 10% .166DX.385LG	28480	9140-0179
A12L4	9100-1621	6	1	INDUCTOR RF-CH-MLD 18UH 10% .166DX.385LG	28480	9100-1621
A12L5	9140-0179	1		INDUCTOR RF-CH-MLD 22UH 10% .166DX.385LG	28480	9140-0179
A12L6	9140-0179	9		INDUCTOR RF-CH-MLD 22UH 10% .166DX.385LG	28480	9140-0179
A12L7	9100-1658	1	1	INDUCTOR RF-CH-MLD 1.6MH 5% .23DX.57LG	28480	9100-1658
A12Q1	1853-0015	7		TRANSISTOR PNP SI PD=200MW FT=600MHZ	28480	1853-0015
A12Q2	1854-0092	2	2	TRANSISTOR NPN SI PD=200MW FT=600MHZ	28480	1854-0092
A12Q3	1854-0092	2		TRANSISTOR NPN SI PD=200MW FT=600MHZ	28480	1854-0092
A12Q4	1854-0092	2		TRANSISTOR NPN SI PD=200MW FT=600MHZ	28480	1854-0092
A12Q5	1854-0092	2		TRANSISTOR NPN SI PD=200MW FT=600MHZ	28480	1854-0092
A12Q6	1854-0092	2		TRANSISTOR NPN SI PD=200MW FT=600MHZ	28480	1854-0092
A12Q7	1854-0092	2		TRANSISTOR NPN SI PD=200MW FT=600MHZ	28480	1854-0092
A12Q8	1853-0036	2	2	TRANSISTOR PNP SI PD=310MW FT=250MHZ	28480	1853-0036
A12Q9	1853-0036	2		TRANSISTOR PNP SI PD=310MW FT=250MHZ	28480	1853-0036
A12Q10	1853-0036	2		TRANSISTOR PNP SI PD=310MW FT=250MHZ	28480	1853-0036
A12Q11	1853-0036	2		TRANSISTOR PNP SI PD=310MW FT=250MHZ	28480	1853-0036
A12Q12	1854-0092	2		TRANSISTOR NPN SI PD=200MW FT=600MHZ	28480	1854-0092
A12R1	0757-0399	5	2	RESISTOR 82.5 1% .125W F TC=0+-100	24546	C4-1/B-T0-82R5-F
A12R2	0757-0400	9		RESISTOR 90.9 1% .125W F TC=0+-100	24546	C4-1/B-T0-90R9-F
A12R3	0757-0399	5		RESISTOR 82.5 1% .125W F TC=0+-100	24546	C4-1/B-T0-82R5-F
A12R4	0698-3151	7		RESISTOR 2.87K 1% .125W F TC=0+-100	24546	CA-1/B-T0-2871-F
A12R5	0698-3151	7		RESISTOR 2.87K 1% .125W F TC=0+-100	24546	CA-1/B-T0-2871-F
A12R6	0698-3445	2		RESISTOR 348 1% .125W F TC=0+-100	24546	C4-1/B-T0-348R-F
A12R7	0757-0416	7		RESISTOR 511 1% .125W F TC=0+-100	24546	CA-1/B-T0-511R-F
A12R8	0757-0441	8		RESISTOR 8.25K 1% .125W F TC=0+-100	24546	CA-1/B-T0-8251-F
A12R9	0757-0279	0		RESISTOR 3.16K 1% .125W F TC=0+-100	24546	CA-1/B-T0-3161-F
A12R10	0757-0420	3		RESISTOR 750 1% .125W F TC=0+-100	24546	CA-1/B-T0-751-F
A12R11	0698-3442	9		RESISTOR 237 1% .125W F TC=0+-100	24546	CA-1/B-T0-237R-F
A12R12	0757-0440	7		RESISTOR 7.5K 1% .125W F TC=0+-100	24546	CA-1/B-T0-7501-F
A12R13	0757-0394	0		RESISTOR 51.1 1% .125W F TC=0+-100	24546	CA-1/B-T0-511R-F
A12R14				NOT ASSIGNED		
A12R15	0757-0294	9	1	RESISTOR 17.8 1% .125W F TC=0+-100	19701	MFAC1/B-T0-178R-F

See introduction to this section for ordering information
 *Indicates factory selected value
 † BACKDATING INFORMATION IN SECTION VII

Table 6-3. Replaceable Parts

Reference Designation	HP Part Number	C D	Qty	Description	Mfr Code	Mfr Part Number
A12R16	0757-0280	3		RESISTOR 1K 1% .125W F TC=0+-100	24546	CA-1/B-TD-1001-F
A12R17	0757-0280	3		RESISTOR 1K 1% .125W F TC=0+-100	24546	CA-1/B-TD-1001-F
A12R18	0757-0421	4		RESISTOR 825 1% .125W F TC=0+-100	24546	CA-1/B-TD-825R-F
A12R19	0757-0280	3		RESISTOR 1K 1% .125W F TC=0+-100	24546	CA-1/B-TD-1001-F
A12R20	0757-0421	4		RESISTOR 825 1% .125W F TC=0+-100	24546	CA-1/B-TD-825R-F
A12R21	0698-0082	7		RESISTOR 464 1% .125W F TC=0+-100	24546	CA-1/B-TD-4640-F
A12R22	0698-0083	8		RESISTOR 1.96K 1% .125W F TC=0+-100	24546	CA-1/B-TD-1961-F
A12R23	0698-0083	8		RESISTOR 1.96K 1% .125W F TC=0+-100	24546	CA-1/B-TD-1961-F
A12R24	0698-0083	8		RESISTOR 1.96K 1% .125W F TC=0+-100	24546	CA-1/B-TD-1961-F
A12R25	0698-0083	8		RESISTOR 1.96K 1% .125W F TC=0+-100	24546	CA-1/B-TD-1961-F
A12R26	0690-0082	7		RESISTOR 464 1% .125W F TC=0+-100	24546	CA-1/B-TD-4640-F
A12R27	0757-0442	9		RESISTOR 10K 1% .125W F TC=0+-100	24546	CA-1/B-TD-1002-F
A12R28	0757-0442	9		RESISTOR 10K 1% .125W F TC=0+-100	24546	CA-1/B-TD-1002-F
A12R29	0757-0442	9		RESISTOR 10K 1% .125W F TC=0+-100	24546	CA-1/B-TD-1002-F
A12R30	0757-0442	9		RESISTOR 10K 1% .125W F TC=0+-100	24546	CA-1/B-TD-1002-F
A12R31	0683-3955	8	1	RESISTOR 3.9M 5% .25W FC TC=-900/+1100	01121	CB3955
A12R32	0683-2055	7	1	RESISTOR 2M 5% .25W FC TC=-900/+1100	01121	CB2055
A12R33	0683-1055	5	1	RESISTOR 1M 5% .25W C TC=-800/+900	01121	CB1055
A12R34	0698-3263	2	1	RESISTOR 500K 1% .125W F TC=0+-100	28480	0698-3263
A12R35	0757-0200	7		RESISTOR 5.62K 1% .125W F TC=0+-100	24546	CA-1/B-TD-5621-F
A12R36	0698-3441	8		RESISTOR 215 1% .125W F TC=0+-100	24546	CA-1/B-TD-215R-F
A12R37	2100-2633	5		RESISTOR-TRMR 1K 10% C SIDE-ADJ 1-TRN	30983	E750X102
A12R38	0757-0200	7		RESISTOR 5.62K 1% .125W F TC=0+-100	24546	CA-1/B-TD-5621-F
A12R39	0698-3150	6		RESISTOR 2.37K 1% .125W F TC=0+-100	24546	CA-1/B-TD-2371-F
A12R40	0757-0418	9		RESISTOR 619 1% .125W F TC=0+-100	24546	CA-1/B-TD-619R-F
A12R41	0698-3155	1		RESISTOR 4.64K 1% .125W F TC=0+-100	24546	CA-1/B-TD-4641-F
A12R42	0757-0280	3		RESISTOR 1K 1% .125W F TC=0+-100	24546	CA-1/B-TD-1001-F
A12R43	0757-0421	4		RESISTOR 825 1% .125W F TC=0+-100	24546	CA-1/B-TD-825R-F
A12R44	0698-3443	8		RESISTOR 287 1% .125W F TC=0+-100	24546	CA-1/B-TD-287R-F
A12R45	0698-3151	7		RESISTOR 2.87K 1% .125W F TC=0+-100	24546	CA-1/B-TD-2871-F
A12R46	0698-0084	9		RESISTOR 2.15K 1% .125W F TC=0+-100	24546	CA-1/B-TD-2151-F
A12R47	0757-0280	3		RESISTOR 1K 1% .125W F TC=0+-100	24546	CA-1/B-TD-1001-F
A12R48	0757-0280	3		RESISTOR 1K 1% .125W F TC=0+-100	24546	CA-1/B-TD-1001-F
A12R49	0698-0082	7		RESISTOR 464 1% .125W F TC=0+-100	24546	CA-1/B-TD-4640-F
A12R50	0757-0401	8		RESISTOR 100 1% .125W F TC=0+-100	24546	CA-1/B-TD-101-F
A12R51	0757-0280	3		RESISTOR 1K 1% .125W F TC=0+-100	24546	CA-1/B-TD-1001-F
A12U1	1820-0054	5		IC GATE TTL NAND QUAD 2-IMP	01295	6N7400N
A12U2	1820-0077	2	1	IC FF TTL D-TYPE POS-EDGE-TRIC CLEAR	01295	6N7474N
A12U3	1820-0054	5		IC GATE TTL NAND QUAD 2-IMP	01295	6N7400N
A12U4	1820-0054	5		IC GATE TTL NAND QUAD 2-IMP	01295	6N7400N
A12U5	1820-0068	1	1	IC GATE TTL NAND TPL 3-IMP	01295	6N7410N
A12U6	1820-0054	5		IC GATE TTL NAND QUAD 2-IMP	01295	6N7400N
A12U7	1820-0054	5		IC GATE TTL NAND QUAD 2-IMP	01295	6N7400N
A12U8	1820-0054	5		IC GATE TTL NAND QUAD 2-IMP	01295	6N7400N
A12U9	1820-0751	9		IC CNTR TTL DECD NEG-EDGE-TRIC PRESET	01295	6N74196N
A13	08660-60012	0	1	BOARD ASSEMBLY, N2 OSCILLATOR (EXCEPT OPTION 004)	28480	08660-60012
A13	08660-60339	4	1	BOARD ASSEMBLY, N2 OSCILLATOR (OPTION 004 ONLY)	28480	08660-60339
A13C1	0180-0058	0		CAPACITOR-FXD 50UF+75-10% 25VDC AL	56289	30D506C025CC2
A13C2	0180-0228	6		CAPACITOR-FXD 22UF+-10% 15VDC TA	56289	150D226X9015B2
A13C3	0180-0049	9		CAPACITOR-FXD 20UF+75-10% 50VDC AL	56289	30D206C050CC2
A13C4	0180-2207	5		CAPACITOR-FXD 100UF+-10% 10VDC TA	56289	150D107X9010R2
A13C5	0150-0121	3		CAPACITOR-FXD .11UF +80-20% 50VDC CER	28480	0150-0121
A13C6	0150-0121	5		CAPACITOR-FXD .11UF +80-20% 50VDC CER	28480	0150-0121
A13C7	0150-0121	5		CAPACITOR-FXD .11UF +80-20% 50VDC CER	28480	0150-0121
A13C8	0160-3459	9		CAPACITOR-FXD .02UF +-20% 100VDC CER	28480	0160-3459
A13C9				NOT ASSIGNED		
A13C10	0180-0228	6		CAPACITOR-FXD 22UF+-10% 15VDC TA	56289	150D226X9015B2
A13C11	0180-0116	1		CAPACITOR-FXD 6.0UF+-10% 35VDC TA	56289	150D605X9035B2
A13C12	0180-0228	6		CAPACITOR-FXD 22UF+-10% 15VDC TA	56289	150D226X9015B2
A13C13	0180-2210	8		CAPACITOR-FXD 2UF+50-10% 150VDC AL	56289	30D205F150B2
A13C14	0180-0374	3		CAPACITOR-FXD 10UF+-10% 20VDC TA	56289	150D106X9020B2
A13C15	0160-2055	9		CAPACITOR-FXD .01UF +80-20% 100VDC CER	28480	0160-2055
A13C16	0160-0386	5		CAPACITOR-FXD 3.3PF +-25PF 500VDC CER	28480	0160-0386
A13C17	0160-2204	8		CAPACITOR-FXD 100PF +-5% 300VDC MICA	28480	0160-2204
A13C18	0160-4084	8		CAPACITOR-FXD .1UF +-20% 50VDC CER	28480	0160-4084
A13C19	0121-0059	7		CAPACITOR-V TRMR-CER 2-BPF 350V PC-MIC	52763	304324 2/BPF NPD
A13C20				NOT ASSIGNED		
A13C21	0160-2055	9		CAPACITOR-FXD .01UF +80-20% 100VDC CER	28480	0160-2055
A13C22	0160-0386	5		CAPACITOR-FXD 3.3PF +-25PF 500VDC CER	28480	0160-0386
A13C23	0160-0386	5		CAPACITOR-FXD 3.3PF +-25PF 500VDC CER	28480	0160-0386
A13C24	0160-2055	9		CAPACITOR-FXD .01UF +80-20% 100VDC CER	28480	0160-2055
A13C25	0160-2055	9		CAPACITOR-FXD .01UF +80-20% 100VDC CER	28480	0160-2055

See Introduction to this section for ordering information
 *Indicates factory selected value.

Table 6-3. Replaceable Parts

Table with 7 columns: Reference Designation, HP Part Number, C D, Qty, Description, Mfr Code, Mfr Part Number. It lists various electronic components such as capacitors, diodes, inductors, transistors, and resistors with their respective part numbers and manufacturer codes.

See Introduction to this section for ordering information
*Indicates factory selected value
+ BACKDATING INFORMATION IN SECTION VII

Table 6-3. Replaceable Parts

Reference Designation	HP Part Number	C D	Qty	Description	Mfr Code	Mfr Part Number
A13R31	0698-3162	0		RESISTOR 46.4K 1% .125W F TC=0+-100	24546	CA-1/B-T0-4642-F
A13R32	0698-3155	1		RESISTOR 4.64K 1% .125W F TC=0+-100	24546	CA-1/B-T0-4641-F
A13R33	0698-0085	0		RESISTOR 2.61K 1% .125W F TC=0+-100	24546	CA-1/B-T0-2611-F
A13R34	0757-0421	4		RESISTOR 825 1% .125W F TC=0+-100	24546	CA-1/B-T0-825R-F
A13R35	0698-4037	0		RESISTOR 46.4 1% .125W F TC=0+-100	24546	CA-1/B-T0-464R-F
A13R36	0698-3156	2		RESISTOR 14.7K 1% .125W F TC=0+-100	24546	CA-1/B-T0-1472-F
A13R37	2100-1759	4		RESISTOR-TRMR 2K 5% MW GIDE-ADJ 1-TRM NOT ASSIGNED	2B4B0	2100-1759
A13R38				RESISTOR-TRMR 5K 5% MW GIDE-ADJ 1-TRM	2B4B0	2100-1760
A13R39	2100-1760	7		RESISTOR 8.25K 1% .125W F TC=0+-100	24546	CA-1/B-T0-0251-F
A13R40	0757-0441	8				
A13R41	0757-0279	0		RESISTOR 3.16K 1% .125W F TC=0+-100	24546	CA-1/B-T0-3161-F
A13R42	0757-0317	7		RESISTOR 1.33K 1% .125W F TC=0+-100	24546	CA-1/B-T0-1331-F
A13R43	0757-0199	3		RESISTOR 21.5K 1% .125W F TC=0+-100	24546	CA-1/B-T0-2152-F
A13R44	0757-0442	9		RESISTOR 10K 1% .125W F TC=0+-100	24546	CA-1/B-T0-1002-F
A13R45	0757-0834	3		RESISTOR 5.62K 1% .15W F TC=0+-100	2B4B0	0757-0834
A13R46	0698-3459	8		RESISTOR 383K 1% .125W F TC=0+-100	2B4B0	0698-3459
A13R47	0698-0082	7		RESISTOR 464 1% .125W F TC=0+-100	24546	CA-1/B-T0-4640-F
A13R48	0698-3441	8		RESISTOR 215 1% .125W F TC=0+-100	24546	CA-1/B-T0-215R-F
A13R49	0698-3266	5		RESISTOR 237K 1% .125W F TC=0+-100	24546	CA-1/B-T0-2373-F
A13R50	0698-3447	4		RESISTOR 422 1% .125W F TC=0+-100	24546	CA-1/B-T0-422R-F
A13R51				NOT ASSIGNED		
A13R52	0757-0443	0		RESISTOR 11K 1% .125W F TC=0+-100	24546	CA-1/B-T0-1102-F
A13R53	0698-3266	5		RESISTOR 237K 1% .125W F TC=0+-100	24546	CA-1/B-T0-2373-F
A13R54	0698-3445	2		RESISTOR 348 1% .125W F TC=0+-100	24546	CA-1/B-T0-348R-F
A13R55	0698-3243	8		RESISTOR 178K 1% .125W F TC=0+-100	24546	CA-1/B-T0-1783-F
A13R56	0698-3443	0		RESISTOR 287 1% .125W F TC=0+-100	24546	CA-1/B-T0-287R-F
A13R57	0757-0401	0		RESISTOR 100 1% .125W F TC=0+-100	24546	CA-1/B-T0-101-F
A13R58	0698-3243	8		RESISTOR 178K 1% .125W F TC=0+-100	24546	CA-1/B-T0-1783-F
A13R59	0698-3132	7		RESISTOR 261 1% .125W F TC=0+-100	24546	CA-1/B-T0-2610-F
A13R60	0757-0466	4	2	RESISTOR 110K 1% .125W F TC=0+-100	24546	CA-1/B-T0-1103-F
A13R61	0698-3440	7		RESISTOR 196 1% .125W F TC=0+-100	24546	CA-1/B-T0-196R-F
A13R62	0683-0245	9		RESISTOR 820K 5% .25W FC TC=-800/+900	01121	C8B245
A13R63	0698-3243	8		RESISTOR 178K 1% .125W F TC=0+-100	24546	CA-1/B-T0-1783-F
A13R64	0757-0442	9		RESISTOR 10K 1% .125W F TC=0+-100	24546	CA-1/B-T0-1002-F
A13R65	0757-0467	8		RESISTOR 121K 1% .125W F TC=0+-100	24546	CA-1/B-T0-1213-F
A13R66	0698-3439	4		RESISTOR 178 1% .125W F TC=0+-100	24546	CA-1/B-T0-178R-F
A13R67	0698-3440	7		RESISTOR 196 1% .125W F TC=0+-100	24546	CA-1/B-T0-196R-F
A13R68	0698-0082	7		RESISTOR 464 1% .125W F TC=0+-100	24546	CA-1/B-T0-4640-F
A13R69	0757-0464	5		RESISTOR 90.9K 1% .125W F TC=0+-100	24546	CA-1/B-T0-9092-F
A13R70	0757-0405	4		RESISTOR 162 1% .125W F TC=0+-100	24546	CA-1/B-T0-162R-F
A13R71	0757-0461	2		RESISTOR 68.1K 1% .125W F TC=0+-100	24546	CA-1/B-T0-6812-F
A13R72	0698-3437	2		RESISTOR 133 1% .125W F TC=0+-100	24546	CA-1/B-T0-133R-F
A13R73	0757-0200	7		RESISTOR 5.62K 1% .125W F TC=0+-100	24546	CA-1/B-T0-5621-F
A13R74	0698-3154	0		RESISTOR 4.22K 1% .125W F TC=0+-100	24546	CA-1/B-T0-4221-F
A13R75	0698-3445	2		RESISTOR 348 1% .125W F TC=0+-100	24546	CA-1/B-T0-348R-F
A13R76	0757-0403	2		RESISTOR 121 1% .125W F TC=0+-100	24546	CA-1/B-T0-121R-F
A13R77	0698-3444	1		RESISTOR 316 1% .125W F TC=0+-100	24546	CA-1/B-T0-316R-F
A13R78	0757-0458	7		RESISTOR 51.1K 1% .125W F TC=0+-100	24546	CA-1/B-T0-5112-F
A13R79	0698-3442	9		RESISTOR 237 1% .125W F TC=0+-100	24546	CA-1/B-T0-237R-F
A13R80	0698-3132	4		RESISTOR 261 1% .125W F TC=0+-100	24546	CA-1/B-T0-2610-F
A13R81	0698-3442	9		RESISTOR 237 1% .125W F TC=0+-100	24546	CA-1/B-T0-237R-F
A13R82	0757-0400	9		RESISTOR 90.9 1% .125W F TC=0+-100	24546	CA-1/B-T0-909R-F
A13R83	0698-3438	3		RESISTOR 147 1% .125W F TC=0+-100 (EXCEPT OPTION 004)	24546	CA-1/B-T0-147R-F
A13R84	0698-3441	8		RESISTOR 215 1% .125W F TC=0+-100	24546	CA-1/B-T0-215R-F
A13R85	0698-3441	8		RESISTOR 215 1% .125W F TC=0+-100	24546	CA-1/B-T0-215R-F
A13U1	1820-0054	5		IC GATE TTL NAND QUAD 2-1NP	01295	6N7400N
A13U2	1820-0054	5		IC GATE TTL NAND QUAD 2-1NP	01295	6N7400N
A13U3	1820-0054	5		IC GATE TTL NAND QUAD 2-1NP	01295	6N7400N
A14	08660-60011	9	1	BOARD ASSEMBLY, M2 PHASE DETECTOR (EXCEPT OPTION 004)	2B4B0	08660-60011
A14	08660-60039	1	1	BOARD ASSEMBLY, M2 PHASE DETECTOR (OPTION 004 ONLY)	2B4B0	08660-60039
A14C1	0160-2055	9		CAPACITOR-FXD .01UF +80-20% 100VDC CER NOT ASSIGNED	2B4B0	0160-2055
A14C2				CAPACITOR-FXD 50UF+75-10% 25VDC AL	56289	30D506G025CC2
A14C3	0180-0058	0		CAPACITOR-FXD 50UF+10% 6VDC TA	56289	150D06X9006B2
A14C4	0180-2206	4		CAPACITOR-FXD 22UF+10% 15VDC TA	56289	150D226X9015B2
A14C5	0180-0228	6				
A14C6	0150-0121	5		CAPACITOR-FXD .1UF +80-20% 50VDC CER	2B4B0	0150-0121
A14C7	0180-0229	7		CAPACITOR-FXD 33UF+10% 18VDC TA	56289	150D336X9018B2
A14C8	0150-0121	5		CAPACITOR-FXD .1UF +80-20% 50VDC CER	2B4B0	0150-0121
A14C9	0160-0157	8		CAPACITOR-FXD 4700PF +-10% 200VDC PBLYE	2B4B0	0160-0157
A14C10	0160-2055	9		CAPACITOR-FXD .01UF +80-20% 100VDC CER	2B4B0	0160-2055

See introduction to this section for ordering information
*Indicates factory selected value

Table 6-3. Replaceable Parts

Reference Designation	HP Part Number	C D	Qty	Description	Mfr Code	Mfr Part Number
A14C11	0150-0121	5		CAPACITOR-FXD .1UF +80-20% 50VDC CER	2B480	0150-0121
A14C12	0150-0121	5		CAPACITOR-FXD .1UF +80-20% 50VDC CER	2B480	0150-0121
A14C13	0160-2055	9		CAPACITOR-FXD .01UF +80-20% 100VDC CER	2B480	0160-2055
A14C14	0160-0172	5		CAPACITOR-FXD 3000PF +-1% 100VDC MICA	72136	DM19F302P0100UV1CR
A14C15	0160-2055	9		CAPACITOR-FXD .01UF +80-20% 100VDC CER	2B480	0160-2055
A14C16	0150-0121	5		CAPACITOR-FXD .1UF +80-20% 50VDC CER	2B480	0150-0121
A14C17	0150-0121	5		CAPACITOR-FXD .1UF +80-20% 50VDC CER	2B480	0150-0121
A14C18	0150-0121	5		CAPACITOR-FXD .1UF +80-20% 50VDC CER	2B480	0150-0121
A14C19	0160-2055	9		CAPACITOR-FXD .01UF +80-20% 100VDC CER	2B480	0160-2055
A14C20	0160-2055	9		CAPACITOR-FXD .01UF +80-20% 100VDC CER	2B480	0160-2055
A14C21	0160-2055	9		CAPACITOR-FXD .01UF +80-20% 100VDC CER	2B480	0160-2055
A14C22	0160-3539	6		CAPACITOR-FXD 820PF +-5% 100VDC MICA	2B480	0160-3539
A14C23	0160-2453	1		CAPACITOR-FXD +-10% 80VDC POLYE	2B480	0160-2453
A14C24	0170-0040	9		CAPACITOR-FXD +-1% 200VDC POLYE	56289	292P47392
A14C25	0180-0229	7		CAPACITOR-FXD TA	56289	150D336X901082
A14C26	0180-0374	3		CAPACITOR-FXD 10UF+-10% 20VDC	56289	150D106X902082
A14CR1	1901-0040	1		DIODE-SWITCHING 30V 50MA 2MG DO-35	2B480	1901-0040
A14CR2	1901-0040	1		DIODE-SWITCHING 30V 50MA 2MG DO-35	2B480	1901-0040
A14CR3	1901-1066	3		DIODE-SWITCHING 15V 50MA 750PF DO-7	2B480	1901-1066
A14CR4	1901-1066	3		DIODE-SWITCHING 15V 50MA 750PF DO-7	2B480	1901-1066
A14L1	9100-1629	4		INDUCTOR RF-CH-MLD 47UH 5% .166DX.385LC	2B480	9100-1629
A14L2	9140-0114	4		INDUCTOR RF-CH-MLD 10UH 10% .166DX.385LC	2B480	9140-0114
A14L3	9100-1629	4		INDUCTOR RF-CH-MLD 47UH 5% .166DX.385LC	2B480	9100-1629
A14L4	9140-0179	1		INDUCTOR RF-CH-MLD 22UH 10% .166DX.385LC	2B480	9140-0179
A14L5	9140-0114	4		INDUCTOR RF-CH-MLD 10UH 10% .166DX.385LC	2B480	9140-0114
A14L6	9100-1614	7		INDUCTOR RF-CH-MLD 820NH 10%	2B480	9100-1614
A14L7	9100-1650	1		INDUCTOR RF-CH-MLD 680UH 5% .2DX.45LC	2B480	9100-1650
A14L8	9100-1652	3		INDUCTOR RF-CH-MLD 820UH 5% .2DX.45LC	2B480	9100-1652
A14Q1	1853-0034	0		TRANSISTOR PNP 61 TO-18 PD=360MW	2B480	1853-0034
A14Q2	1853-0034	0		TRANSISTOR PNP 61 TO-18 PD=360MW	2B480	1853-0034
A14Q3	1853-0034	0		TRANSISTOR PNP 61 TO-18 PD=360MW	2B480	1853-0034
A14Q4	1853-0049	1		TRANSISTOR-JFET DUAL N-CHAN D-MODE 51	2B480	1853-0049
A14Q5	1854-0045	5		TRANSISTOR NPN 61 TO-18 PD=500MW	2B480	1854-0045
A14Q6	1853-0015	7		TRANSISTOR PNP 61 PD=200MW FT=500MHZ	2B480	1853-0015
A14Q7	1854-0092	2		TRANSISTOR NPN 61 PD=200MW FT=500MHZ	2B480	1854-0092
A14R1	0757-0289	2		RESISTOR 13.3K 1% .125W F TC=0+-100	19701	MF4C1/B-T0-1332-F
A14R2	0698-0092	7		RESISTOR 464 1% .125W F TC=0+-100	24546	CA-1/B-T0-4640-F
A14R3	0757-0439	4		RESISTOR 6.81K 1% .125W F TC=0+-100	24546	CA-1/B-T0-6811-F
A14R4	0698-0085	0		RESISTOR 2.61K 1% .125W F TC=0+-100	24546	CA-1/B-T0-2611-F
A14R5	0757-0416	7		RESISTOR 511 1% .125W F TC=0+-100	24546	CA-1/B-T0-511R-F
A14R6	0757-0416	7		RESISTOR 511 1% .125W F TC=0+-100	24546	CA-1/B-T0-511R-F
A14R7	0757-0442	9		RESISTOR 10K 1% .125W F TC=0+-100	24546	CA-1/B-T0-1002-F
A14R8	0698-3446	3		RESISTOR 383 1% .125W F TC=0+-100	24546	CA-1/B-T0-383R-F
A14R9	0757-0424	7		RESISTOR 1.1K 1% .125W F TC=0+-100	24546	CA-1/B-T0-1101-F
A14R10	0757-0442	9		RESISTOR 10K 1% .125W F TC=0+-100	24546	CA-1/B-T0-1002-F
A14R11	0757-0424	7		RESISTOR 1.1K 1% .125W F TC=0+-100	24546	CA-1/B-T0-1101-F
A14R12	0757-0416	7		RESISTOR 511 1% .125W F TC=0+-100	24546	CA-1/B-T0-511R-F
A14R13	0698-3450	9		RESISTOR 42.2K 1% .125W F TC=0+-100	24546	CA-1/B-T0-4222-F
A14R14	0757-0447	4		RESISTOR 16.2K 1% .125W F TC=0+-100	24546	CA-1/B-T0-1622-F
A14R15	0698-3430	5		RESISTOR 21.5 1% .125W F TC=0+-100	03880	PH855-1/B-T0-21R5-F
A14R16	0757-0424	7		RESISTOR 1.1K 1% .125W F TC=0+-100	24546	CA-1/B-T0-1101-F
A14R17	0757-0421	4		RESISTOR 825 1% .125W F TC=0+-100	24546	CA-1/B-T0-825R-F
A14R18	0698-3447	4		RESISTOR 422 1% .125W F TC=0+-100	24546	CA-1/B-T0-422R-F
A14R19	0757-0279	0		RESISTOR 3.16K 1% .125W F TC=0+-100	24546	CA-1/B-T0-3161-F
A14R20	0757-0279	0		RESISTOR 3.16K 1% .125W F TC=0+-100	24546	CA-1/B-T0-3161-F
A14R21	0757-0279	0		RESISTOR 3.16K 1% .125W F TC=0+-100	24546	CA-1/B-T0-3161-F
A14R22	0698-3155	1		RESISTOR 4.64K 1% .125W F TC=0+-100	24546	CA-1/B-T0-4641-F
A14R23	0757-0290	5		RESISTOR 6.19K 1% .125W F TC=0+-100	19701	MF4C1/B-T0-6191-F
A14R24	0698-3150	6		RESISTOR 2.37K 1% .125W F TC=0+-100	24546	CA-1/B-T0-2371-F
A14R25	0757-0394	0		RESISTOR 51.1 1% .125W F TC=0+-100	24546	CA-1/B-T0-511R-F
A14R26	0757-0394	0		RESISTOR 51.1 1% .125W F TC=0+-100	24546	CA-1/B-T0-511R-F
A14R27	0757-0416	7		RESISTOR 511 1% .125W F TC=0+-100	24546	CA-1/B-T0-511R-F
A14R28	0757-0442	9		RESISTOR 10K 1% .125W F TC=0+-100	24546	CA-1/B-T0-1002-F
A14R29	0757-0280	7		RESISTOR 5.62K 1% .125W F TC=0+-100	24546	CA-1/B-T0-5621-F
A14R30	0757-0424	7		RESISTOR 1.1K 1% .125W F TC=0+-100	24546	CA-1/B-T0-1101-F
A14R31	0757-0438	3		RESISTOR 5.11K 1% .125W F TC=0+-100	24546	CA-1/B-T0-5111-F
A14R32	0757-0444	1		RESISTOR 12.1K 1% .125W F TC=0+-100	24546	CA-1/B-T0-1212-F
A14R33	0757-0444	1		RESISTOR 12.1K 1% .125W F TC=0+-100	24546	CA-1/B-T0-1212-F
A14R34	0757-0424	7		RESISTOR 1.1K 1% .125W F TC=0+-100	24546	CA-1/B-T0-1101-F
A14R35	0757-1094	9		RESISTOR 1.47K 1% .125W F TC=0+-100	24546	CA-1/B-T0-1471-F
A14R36	0757-0416	7		RESISTOR 511 1% .125W F TC=0+-100	24546	CA-1/B-T0-511R-F
A14T1	08660-80001	9		TRANSFORMER, SAMPLER	2B480	08660-80001

See introduction to this section for ordering information
*Indicates factory selected value

Table 6-3. Replaceable Parts

Reference Designation	HP Part Number	C D	Qty	Description	Mfr Code	Mfr Part Number
A14U1	1820-1213	0		IC FF TTL LG J-K NEG-EDGE-TRIG PRESET	01295	SN74LS113AN
A14U2	1820-1203	8		IC GATE TTL LG AND TPL 3-INP	01295	SN74LS11N
A14U3	1820-0469	6		IC FF TTL H J-K NEG-EDGE-TRIG	01295	SN74H102N
A14U4	1820-1213	8		IC FF TTL LG J-K NEG-EDGE-TRIG PRESET	01295	SN74LS113AN
A14U5	1820-0751	9		IC CNTR TTL DECD NEG-EDGE-TRIG PRESET	01295	SN74196N
A14U6	1820-0751	9		IC CNTR TTL DECD NEG-EDGE-TRIG PRESET	01295	SN74196N
A14U7	1820-0751	9		IC CNTR TTL DECD NEG-EDGE-TRIG PRESET	01295	SN74196N
A14UB	1820-0054	5		IC GATE TTL NAND QUAD 2-INP	01295	SN7400N

See introduction to this section for ordering information
 *Indicates factory selected value

Table 6-3. Replaceable Parts

Reference Designation	HP Part Number	C D	Qty	Description	Mfr Code	Mfr Part Number
A14	08660-60039	1	1	BOARD ASSY, N2A PHASE DETECTOR (OPT 004 ONLY)	28480	08660-60039
A14C1	0160-2055	9	8	CAPACITOR-FXD .01UF +80-20X 100VDC CER	28480	0160-2055
A14C2	0180-0058	0	1	CAPACITOR-FXD 50UF+75-10X 25VDC AL	56289	30D5060025CC2
A14C3	0180-2206	4	1	CAPACITOR-FXD 60UF+-10X 6VDC TA	56289	15D0606X9006B2
A14C4	0180-0228	6	1	CAPACITOR-FXD 22UF+-10X 15VDC TA	56289	15D0226X9015B2
A14C5	0150-0121	5	7	CAPACITOR-FXD .1UF +80-20X 50VDC CER	28480	0150-0121
A14C6	0160-2055	9		CAPACITOR-FXD .01UF +80-20X 100VDC CER	28480	0160-2055
A14C7	0150-0121	5		CAPACITOR-FXD .1UF +80-20X 50VDC CER	28480	0150-0121
A14C8	0150-0121	5		CAPACITOR-FXD .1UF +80-20X 50VDC CER	28480	0150-0121
A14C9	0160-0157	8	1	CAPACITOR-FXD 4700PF +-10X 200VDC POLYE	28480	0160-0157
A14C10	0160-2055	9		CAPACITOR-FXD .01UF +80-20X 100VDC CER	28480	0160-2055
A14C11	0150-0121	5		CAPACITOR-FXD .1UF +80-20X 50VDC CER	28480	0150-0121
A14C12	0150-0121	5		CAPACITOR-FXD .1UF +80-20X 50VDC CER	28480	0150-0121
A14C13	0150-0121	5		CAPACITOR-FXD .1UF +80-20X 50VDC CER	28480	0150-0121
A14C14	0160-2055	9		CAPACITOR-FXD .01UF +80-20X 100VDC CER	28480	0160-2055
A14C15	0140-0172	5	1	CAPACITOR-FXD 3000PF +-1X 100VDC MICA	72136	DM19F302F0100V1C8
A14C16	0180-0229	7	2	CAPACITOR-FXD 33UF+-10X 10VDC TA	56289	15D0336X9010B2
A14C17	0160-2055	9		CAPACITOR-FXD .01UF +80-20X 100VDC CER	28480	0160-2055
A14C18	0150-0121	5		CAPACITOR-FXD .1UF +80-20X 50VDC CER	28480	0150-0121
A14C19	0180-0374	3	1	CAPACITOR-FXD 10UF+-10X 20VDC TA	56299	15D0106X9020B2
A14C20	0160-2055	9		CAPACITOR-FXD .01UF +80-20X 100VDC CER	28480	0160-2055
A14C21	0160-2055	9		CAPACITOR-FXD .01UF +80-20X 100VDC CER	28480	0160-2055
A14C22	0180-0229	7		CAPACITOR-FXD 33UF+-10X 10VDC TA	56289	15D0336X9010B2
A14C23	0160-3539	6	1	CAPACITOR-FXD 820PF +-5X 100VDC MICA	28480	0160-3539
A14C24	0160-2453	1	1	CAPACITOR-FXD .02UF +-10X 80VDC POLYE	28480	0160-2453
A14C25	0170-0040	9	1	CAPACITOR-FXD .047UF +-10X 200VDC POLYE	56289	292P47392
A14C26	0160-2055	9		CAPACITOR-FXD .01UF +80-20X 100VDC CER	28480	0160-2055
A14CR1	1901-0040	1	1	DIODE-SWITCHING 30V 50MA 2HS DO-35	28480	1901-0040
A14CR2	1901-0179	7	2	DIODE-SWITCHING 15V 50MA 750PS DO-7	28480	1901-0179
A14CR3	1901-0179	7	2	DIODE-SWITCHING 15V 50MA 750PS DO-7	28480	1901-0179
A14L1	9100-1629	4	2	INDUCTOR RF-CH-MLD 47UH 5X .166DX,385LC	28480	9100-1629
A14L2	9140-0114	4	2	INDUCTOR RF-CH-MLD 10UH 10X .166DX,385LC	28480	9140-0114
A14L3	9100-1629	4	1	INDUCTOR RF-CH-MLD 47UH 5X .166DX,385LC	28480	9100-1629
A14L4	9100-1650	1	1	INDUCTOR RF-CH-MLD 680UH 5X .2DX,45LC	28480	9100-1650
A14L5	9100-1652	3	1	INDUCTOR RF-CH-MLD 820UH 5X .2DX,45LC	28480	9100-1652
A14L6	9140-0114	4		INDUCTOR RF-CH-MLD 10UH 10X .166DX,385LC	28480	9140-0114
A14Q1	1853-0034	0	3	TRANSISTOR PNP 6I TO-18 PD-360MW	28480	1853-0034
A14Q2	1854-0210	6	2	TRANSISTOR MPN 2N2222 BI TO-18 PD-500MW	04713	2N2222
A14Q3	1853-0034	0	3	TRANSISTOR PNP 6I TO-18 PD-360MW	28480	1853-0034
A14Q4	1853-0015	7	1	TRANSISTOR PNP 6I PD-200MW FT-500MHZ	28480	1853-0015
A14Q5	1854-0210	6		TRANSISTOR MPN 2N2222 BI TO-18 PD-500MW	04713	2N2222
A14Q6	1853-0034	0		TRANSISTOR PNP 6I TO-18 PD-360MW	28480	1853-0034
A14Q7	1855-0049	1	1	TRANSISTOR-JFET DUAL N-CHAN D-MODE 6I	28480	1855-0049
A14R1	0757-0440	7	1	RESISTOR 7.5K 1X .125W F TC=0+-100	24546	C4-1/8-T0-7501-F
A14R2	0757-0421	4	2	RESISTOR 825 1X .125W F TC=0+-100	24546	C4-1/8-T0-825R-F
A14R3	0757-0280	3	3	RESISTOR 1K 1X .125W F TC=0+-100	24546	C4-1/8-T0-1001-F
A14R4	0757-0280	3	3	RESISTOR 1K 1X .125W F TC=0+-100	24546	C4-1/8-T0-1001-F
A14R5	0757-0442	9	3	RESISTOR 10K 1X .125W F TC=0+-100	24546	C4-1/8-T0-1002-F
A14R6	0698-3446	3	1	RESISTOR 383 1X .125W F TC=0+-100	24546	C4-1/8-T0-383R-F
A14R7	0698-0082	7	1	RESISTOR 464 1X .125W F TC=0+-100	24546	C4-1/8-T0-4640-F
A14R8	0757-0289	2	1	RESISTOR 13.3K 1X .125W F TC=0+-100	19781	MF4C1/8-T0-1332-F
A14R9	0757-0439	4	1	RESISTOR 6.01K 1X .125W F TC=0+-100	24546	C4-1/8-T0-6811-F
A14R10	0757-0280	3	3	RESISTOR 1K 1X .125W F TC=0+-100	24546	C4-1/8-T0-1001-F
A14R11	0757-0442	9		RESISTOR 10K 1X .125W F TC=0+-100	24546	C4-1/8-T0-1002-F
A14R12	0757-0424	7	4	RESISTOR 1.1K 1X .125W F TC=0+-100	24546	C4-1/8-T0-1101-F
A14R13	0757-0416	7	4	RESISTOR 511 1X .125W F TC=0+-100	24546	C4-1/8-T0-511R-F
A14R14	0757-0424	7		RESISTOR 1.1K 1X .125W F TC=0+-100	24546	C4-1/8-T0-1101-F
A14R15	0698-3430	5	1	RESISTOR 21.5 1X .125W F TC=0+-100	03888	PH55-1/8-T0-21R5-F
A14R16	0757-0424	7		RESISTOR 1.1K 1X .125W F TC=0+-100	24546	C4-1/8-T0-1101-F
A14R17	0698-3450	9	1	RESISTOR 42.2K 1X .125W F TC=0+-100	24546	C4-1/8-T0-4222-F
A14R18	0757-0447	4	1	RESISTOR 16.2K 1X .125W F TC=0+-100	24546	C4-1/8-T0-1622-F
A14R19	0757-0421	4	4	RESISTOR 825 1X .125W F TC=0+-100	24546	C4-1/8-T0-825R-F
A14R20	0698-3447	4	1	RESISTOR 422 1X .125W F TC=0+-100	24546	C4-1/8-T0-422R-F
A14R21	0757-0279	0	3	RESISTOR 3.16K 1X .125W F TC=0+-100	24546	C4-1/8-T0-3161-F
A14R22	0698-3155	1	2	RESISTOR 4.64K 1X .125W F TC=0+-100	24546	C4-1/8-T0-4641-F
A14R23	0757-0298	5	1	RESISTOR 6.19K 1X .125W F TC=0+-100	19701	MF4C1/8-T0-6191-F
A14R24	0757-0279	0	1	RESISTOR 3.16K 1X .125W F TC=0+-100	24546	C4-1/8-T0-3161-F
A14R25	0757-0279	0	1	RESISTOR 3.16K 1X .125W F TC=0+-100	24546	C4-1/8-T0-3161-F

See introduction to this section for ordering information
 *Indicates factory selected value

Table 6-3. Replaceable Parts

Reference Designation	HP Part Number	C D	Qty	Description	Mfr Code	Mfr Part Number
A14R26	0698-3150	6	1	RESISTOR 2.37K 1% .125W F TC=0+-100	24546	CA-1/8-T0-2371-F
A14R27	0757-1094	9	1	RESISTOR 1.47K 1% .125W F TC=0+-100	24546	CA-1/8-T0-1471-F
A14R28	0757-0394	0	2	RESISTOR 51.1 1% .125W F TC=0+-100	24546	CA-1/8-T0-51R1-F
A14R29	0757-0394	0	8	RESISTOR 51.1 1% .125W F TC=0+-100	24546	CA-1/8-T0-51R1-F
A14R30	0757-0416	7	1	RESISTOR 511 1% .125W F TC=0+-100	24546	CA-1/8-T0-511R-F
A14R31	0757-0416	7	1	RESISTOR 511 1% .125W F TC=0+-100	24546	CA-1/8-T0-511R-F
A14R32	0757-0438	3	1	RESISTOR 5.11K 1% .125W F TC=0+-100	24546	CA-1/8-T0-5111-F
A14R33	0757-0200	7	1	RESISTOR 5.62K 1% .125W F TC=0+-100	24546	CA-1/8-T0-5621-F
A14R34	0757-0278	9	1	RESISTOR 1.78K 1% .125W F TC=0+-100	24546	CA-1/8-T0-1781-F
A14R35	0757-0442	9	1	RESISTOR 10K 1% .125W F TC=0+-100	24546	CA-1/8-T0-1002-F
A14R36	0757-0444	1	2	RESISTOR 12.1K 1% .125W F TC=0+-100	24546	CA-1/8-T0-1212-F
A14R37	0757-0424	7	1	RESISTOR 1.1K 1% .125W F TC=0+-100	24546	CA-1/8-T0-1101-F
A14R38	0757-0444	1	1	RESISTOR 12.1K 1% .125W F TC=0+-100	24546	CA-1/8-T0-1212-F
A14R39	0698-0085	0	1	RESISTOR 2.61K 1% .125W F TC=0+-100	24546	CA-1/8-T0-2611-F
A14R40	0757-0416	7	1	RESISTOR 511 1% .125W F TC=0+-100	24546	CA-1/8-T0-511R-F
A14A1	0698-3155	1	1	RESISTOR 4.64K 1% .125W F TC=0+-100	24546	CA-1/8-T0-4641-F
A14T1	08660-80001	9	1	TRANSFORMER, SAMPLER	28480	08660-80001
A14U1	1820-1213	0	2	IC FF TTL LB J-K NEG-EDGE-TRIG PRESET	01295	6N74LB113AN
A14U2	1820-1213	0	0	IC FF TTL LB J-K NEG-EDGE-TRIG PRESET	01295	6N74LB113AN
A14U3	1820-1203	0	1	IC GATE TTL LS AND TPL 3-INP	01295	6N74LS11N
A14U4	1820-0751	9	3	IC CNTR TTL DECD NEG-EDGE-TRIG PRESET	01295	6N74196N
A14U5	1820-0751	9	9	IC CNTR TTL DECD NEG-EDGE-TRIG PRESET	01295	6N74196N
A14U6	1820-0751	9	1	IC CNTR TTL DECD NEG-EDGE-TRIG PRESET	01295	6N74196N
A14U7	1820-0374	2	1	IC GATE TTL M AND DUAL 4-INP	01295	6N74M21N

See introduction to this section for ordering information
 *Indicates factory selected value

Table 6-3. Replaceable Parts

Reference Designation	HP Part Number	C D	Qty	Description	Mfr Code	Mfr Part Number
A15	08660-60016	4	1	BOARD ASSEMBLY, SL1 DETECTOR	28480	08660-60016
A15C1	0160-2055	9	51	CAPACITOR-FXD .01UF +80-20% 100VDC CLR	28480	0160-2055
A15C2	0150-0121	5	13	CAPACITOR-FXD .1UF +80-20% 50VDC CER	28480	0150-0121
A15C3	0160-0174	9	5	CAPACITOR-FXD .47UF +80-20% 25VDC CER	28480	0160-0174
A15C4	0150-0121	5	5	CAPACITOR-FXD .1UF +80-20% 50VDC CER	28480	0150-0121
A15C5	0160-2055	9	5	CAPACITOR-FXD .01UF +80-20% 100VDC CER	28480	0160-2055
A15C6	0160-3456	6	1	CAPACITOR-FXD 1000PF +-10% 1KVDC CER	28480	0160-3456
A15C7	0180-0058	0	5	CAPACITOR-FXD 50UF+75-10% 25VDC AL	56289	30D506G025CC2
A15C8	0180-2297	5	2	CAPACITOR-FXD 100UF+-10% 10VDC TA	56289	150D107X9010R2
A15C9	0180-0058	0	0	CAPACITOR-FXD 50UF+75-10% 25VDC AL	56289	30D506G025CC2
A15C10	0160-2261	9	2	CAPACITOR-FXD 15PF +-5% 500VDC CER 0+-30	28480	0160-2261
A15C11	0160-2261	9	9	CAPACITOR-FXD 15PF +-5% 500VDC CER 0+-30	28480	0160-2261
A15C12	0160-2055	9	9	CAPACITOR-FXD .01UF +80-20% 100VDC CER	28480	0160-2055
A15C13	0160-2264	0	4	CAPACITOR-FXD 100PF +-5% 300VDC MICA	28480	0160-2264
A15C14	0160-2055	9	9	CAPACITOR-FXD .01UF +80-20% 100VDC CER	28480	0160-2055
A15C15	0160-0298	8	2	CAPACITOR-FXD 1500PF +-10% 200VDC POLYE	28480	0160-0298
A15C16	0150-0121	5	5	CAPACITOR-FXD .1UF +80-20% 50VDC CER	28480	0150-0121
A15C17	0160-0298	8	8	CAPACITOR-FXD 1500PF +-10% 200VDC POLYE	28480	0160-0298
A15C18	0150-0121	5	5	CAPACITOR-FXD .1UF +80-20% 50VDC CER	28480	0150-0121
A15C19	0180-0291	3	3	CAPACITOR-FXD 1UF+-10% 35VDC TA	56289	150D105X9035A2
A15C20	0160-2055	9	9	CAPACITOR-FXD .01UF +80-20% 100VDC CER	28480	0160-2055
A15C21	0160-2208	4	1	CAPACITOR-FXD 330PF +-5% 300VDC MICA	28480	0160-2208
A15C22	0160-0174	9	9	CAPACITOR-FXD .47UF +80-20% 25VDC CER	28480	0160-0174
A15L1	9140-0179	1	11	INDUCTOR RF-CH-MLD 22UH 10% .166DX.385LC	28480	9140-0179
A15L2	9140-0179	1	11	INDUCTOR RF-CH-MLD 22UH 10% .166DX.385LC	28480	9140-0179
A15L3	9140-0114	4	3	INDUCTOR RF-CH-MLD 10UH 10% .166DX.385LC	28480	9140-0114
A15L4	9140-0179	1	11	INDUCTOR RF-CH-MLD 22UH 10% .166DX.385LC	28480	9140-0179
A15L5				NOT ASSIGNED		
A15L6	9140-0179	1	1	INDUCTOR RF-CH-MLD 22UH 10% .166DX.385LC	28480	9140-0179
A15L7	9100-1659	0	1	INDUCTOR RF-CH-MLD 1.8MH 5% .23DX.57LC	28480	9100-1659
A15L8	9140-0179	1	1	INDUCTOR RF-CH-MLD 22UH 10% .166DX.385LC	28480	9140-0179
A15Q1	1854-0092	2	20	TRANSISTOR NPN SI PD=200MW FT=600MHZ	28480	1854-0092
A15Q2	1853-0015	7	2	TRANSISTOR PNP SI PD=200MW FT=500MHZ	28480	1853-0015
A15Q3	1854-0092	2	2	TRANSISTOR NPN SI PD=200MW FT=600MHZ	28480	1854-0092
A15Q4	1854-0092	2	2	TRANSISTOR NPN SI PD=200MW FT=600MHZ	28480	1854-0092
A15Q5	1854-0092	2	2	TRANSISTOR NPN SI PD=200MW FT=600MHZ	28480	1854-0092
A15Q6	1854-0092	2	2	TRANSISTOR NPN SI PD=200MW FT=600MHZ	28480	1854-0092
A15R1	0698-3156	2	4	RESISTOR 14.7K 1% .125W F TC=0+-100	24546	C4-1/8-T0-1472-F
A15R2	0698-0082	7	15	RESISTOR 464 1% .125W F TC=0+-100	24546	C4-1/8-T0-4640-F
A15R3	0757-0379	1	1	RESISTOR 12.1 1% .125W F TC=0+-100	19701	MF4C1/8-T0-12R1-F
A15R4				NOT ASSIGNED		
A15R5	0757-0280	3	3	RESISTOR 1K 1% .125W F TC=0+-100	24546	C4-1/8-T0-1001-F
A15R6	0757-0280	3	3	RESISTOR 1K 1% .125W F TC=0+-100	24546	C4-1/8-T0-1001-F
A15R7	0757-0421	4	5	RESISTOR 825 1% .125W F TC=0+-100	24546	C4-1/8-T0-825R-F
A15R8	0757-0421	4	5	RESISTOR 825 1% .125W F TC=0+-100	24546	C4-1/8-T0-825R-F
A15R9	0698-0082	7	7	RESISTOR 464 1% .125W F TC=0+-100	24546	C4-1/8-T0-4640-F
A15R10	0698-0082	7	7	RESISTOR 464 1% .125W F TC=0+-100	24546	C4-1/8-T0-4640-F
A15R11	0757-0280	3	3	RESISTOR 1K 1% .125W F TC=0+-100	24546	C4-1/8-T0-1001-F
A15R12	0757-0200	7	12	RESISTOR 5.62K 1% .125W F TC=0+-100	24546	C4-1/8-T0-5621-F
A15R13	0698-3441	0	6	RESISTOR 215 1% .125W F TC=0+-100	24546	C4-1/8-T0-215R-F
A15R14	2100-2633	5	3	RESISTOR-TRMR 1K 10% C SIDE-ADJ 1-TRN	30983	ET50X102
A15R15	0757-0280	7	7	RESISTOR 5.62K 1% .125W F TC=0+-100	24546	C4-1/8-T0-5621-F
A15R16	0698-3150	6	1	RESISTOR 2.37K 1% .125W F TC=0+-100	24546	C4-1/8-T0-2371-F
A15R17	0757-0280	3	3	RESISTOR 1K 1% .125W F TC=0+-100	24546	C4-1/8-T0-1001-F
A15R18	0698-3155	1	6	RESISTOR 4.64K 1% .125W F TC=0+-100	24546	C4-1/8-T0-4641-F
A15R19	0757-0280	3	3	RESISTOR 1K 1% .125W F TC=0+-100	24546	C4-1/8-T0-1001-F
A15R20	0757-0424	7	4	RESISTOR 1.1K 1% .125W F TC=0+-100	24546	C4-1/8-T0-1101-F
A15R21	0757-0417	8	1	RESISTOR 562 1% .125W F TC=0+-100	24546	C4-1/8-T0-362R-F
A15R22	0698-3151	7	3	RESISTOR 2.87K 1% .125W F TC=0+-100	24546	C4-1/8-T0-2871-F
A15R23	0757-0280	3	3	RESISTOR 1K 1% .125W F TC=0+-100	24546	C4-1/8-T0-1001-F
A15R24	0698-0084	9	3	RESISTOR 2.15K 1% .125W F TC=0+-100	24546	C4-1/8-T0-2151-F
A15R25	0757-0401	8	10	RESISTOR 100 1% .125W F TC=0+-100	24546	C4-1/8-T0-101-F
A15R26	0698-7236	7	1	RESISTOR 1K 1% .05W F TC=0+-100	24546	C3-1/8-T0-1001-G
A15R27	0757-0416	7	5	RESISTOR 511 1% .125W F TC=0+-100	24546	C4-1/8-T0-511R-F
A15U1	1820-0054	5	10	IC GATE TTL NAND QUAD 2-INP	01295	SN7400N
A15U2	1820-0077	2	1	IC FF TTL D-TYPE POS-EDGL-TRIG CLEAR	01295	SN7474N
A15U3	1820-0054	5	5	IC GATE TTL NAND QUAD 2-INP	01295	SN7400N
A15U4	1820-0054	5	5	IC GATE TTL NAND QUAD 2-INP	01295	SN7400N
A15U5	1820-0751	9	4	IC CNTR TTL DECD NEG-EDGE-TRIG PRESET	01295	SN74196N

See introduction to this section for ordering information
 *Indicates factory selected value

Table 6-3. Replaceable Parts

Reference Designation	HP Part Number	C D	Qty	Description	Mfr Code	Mfr Part Number
A15U6	1820-0751	9	1	IC CNTR TTL DECD NEG-EDGE-TRIG PRESET	01295	5N74196N
A15U7	1820-0068	1		IC GATE TTL NAND TPL 3-IMP	01295	5N7410N
A15U8	1820-0054	5		IC GATE TTL NAND QUAD 2-IMP	01295	5N7400N
A15U9	1820-0054	5		IC GATE TTL NAND QUAD 2-IMP	01295	5N7400N
A15U10	1820-0054	5		IC GATE TTL NAND QUAD 2-IMP	01295	5N7400N
A16	08660-60009	5	1	BOARD ASSEMBLY, NI PHASE DETECTOR	28480	08660-60009
A16C1	0160-2055	9	5	CAPACITOR-FXD .01UF +80-20% 100VDC CER	28480	0160-2055
A16C2	0180-0058	0		CAPACITOR-FXD 50UF+75-10% 25VDC AL	56289	30D506G025CC2
A16C3	0180-2206	4		CAPACITOR-FXD 60UF+-10% 6VDC TA	56289	150D606X9006R2
A16C4	0180-0228	6		CAPACITOR-FXD 22UF+-10% 15VDC TA	56289	150D226X9015R2
A16C5	0150-0121	5		CAPACITOR-FXD .1UF +80-20% 50VDC CER	28480	0150-0121
A16C6	0160-2055	9	1	CAPACITOR-FXD .01UF +80-20% 100VDC CER	28480	0160-2055
A16C7	0150-0121	5		CAPACITOR-FXD .1UF +80-20% 50VDC CER	28480	0150-0121
A16C8	0160-0297	7		CAPACITOR-FXD 1200PF +-10% 200VDC POLYE	28480	0160-0297
A16C9	0160-2055	9		CAPACITOR-FXD .01UF +80-20% 100VDC CER	28480	0160-2055
A16C10	0150-0121	5		CAPACITOR-FXD .1UF +80-20% 50VDC CER	28480	0150-0121
A16C11	0150-0121	5	1	CAPACITOR-FXD .1UF +80-20% 50VDC CER	28480	0150-0121
A16C12	0160-2055	9		CAPACITOR-FXD .01UF +80-20% 100VDC CER	28480	0160-2055
A16C13	0160-0937	2		CAPACITOR-FXD 1000PF +-2% 300VDC MICA	28480	0160-0937
A16C14	0160-3459	9		CAPACITOR-FXD .02UF +-20% 100VDC CER	28480	0160-3459
A16C15	0150-0121	5		CAPACITOR-FXD .1UF +80-20% 50VDC CER	28480	0150-0121
A16C16	0180-0197	8	1	CAPACITOR-FXD 2.2UF+-10% 20VDC TA	56289	150D225X9020R2
A16C17	0160-2055	9		CAPACITOR-FXD .01UF +80-20% 100VDC CER	28480	0160-2055
A16C18	0150-0121	5		CAPACITOR-FXD .1UF +80-20% 50VDC CER	28480	0150-0121
A16C19	0180-0228	6		CAPACITOR-FXD 22UF+-10% 15VDC TA	56289	150D226X9015R2
A16C20	0160-2055	9		CAPACITOR-FXD .01UF +80-20% 100VDC CER	28480	0160-2055
A16C21	0160-2055	9	1	CAPACITOR-FXD .01UF +80-20% 100VDC CER	28480	0160-2055
A16C22	0160-3539	6		CAPACITOR-FXD 820PF +-5% 100VDC MICA	28480	0160-3539
A16C23	0180-1744	5		CAPACITOR-FXD 15UF+-10% 20VDC TA	56289	150D156X9020R2
A16C24	0180-0229	6		CAPACITOR-FXD 33UF+-10% 10VDC TA	56289	150D336X9010R2
A16C25	0160-3459	9		CAPACITOR-FXD .02UF +-20% 100VDC CER	28480	0160-3459
A16C26	0180-0229	7	2	CAPACITOR-FXD 33UF+-10% 10VDC TA	56289	150D336X9010R2
A16C27	0160-0134	1		CAPACITOR-FXD 220PF +-5% 300VDC MICA	28480	0160-0134
A16C28	0160-0134	1		CAPACITOR-FXD 220PF +-5% 300VDC MICA	28480	0160-0134
A16C29	0160-0302	5		CAPACITOR-FXD .018UF +-10% 200VDC POLYE	28480	0160-0302
A16C30	0160-0945	2		CAPACITOR-FXD 910PF +-5% 100VDC MICA	28480	0160-0945
A16C31	0140-0280	0	1	CAPACITOR-FXD 390PF +-5% 300VDC MICA	72136	DM5F391J0300WV1CR
A16CR1	1902-3104	6	1	DIODE-ZNR 5.62V 5% DO-35 PD=.4W	28480	1902-3104
A16CR2	1901-0040	1		DIODE-SWITCHING 30V 50MA 2MS DO-35	28480	1901-0040
A16CR3	1901-0040	1		DIODE-SWITCHING 30V 50MA 2MS DO-35	28480	1901-0040
A16CR4	1901-0179	7		DIODE-SWITCHING 15V 50MA 750PS DO-7	28480	1901-0179
A16CR5	1901-0179	7		DIODE-SWITCHING 15V 50MA 750PS DO-7	28480	1901-0179
A16CR6	1902-0025	4	1	DIODE-ZNR 10V 5% DO-35 PD=.4W TC=+.06%	28480	1902-0025
A16L1	9100-1629	4	10	INDUCTOR RF-CH-MLD 47UH 5% .166DX,385LC	28480	9100-1629
A16L2	9140-0114	4		INDUCTOR RF-CH-MLD 10UH 10% .166DX,385LC	28480	9140-0114
A16L3	9100-1629	4		INDUCTOR RF-CH-MLD 47UH 5% .166DX,385LC	28480	9100-1629
A16L4	9100-1614	7		INDUCTOR RF-CH-MLD 820NH 10%	28480	9100-1614
A16L5	08660-80017	7		2	INDUCTOR ASSEMBLY	28480
A16L6	08660-80017	7	1	INDUCTOR ASSEMBLY	28480	08660-80017
A16Q1	1853-0034	0	2	TRANSISTOR PNP 6I TO-18 PD=360MW	28480	1853-0034
A16Q2	1853-0034	0		TRANSISTOR PNP 6I TO-18 PD=360MW	28480	1853-0034
A16Q3	1855-0082	2		TRANSISTOR J-FET P-CHAN D-MODE 5I	28480	1855-0082
A16Q4	1854-0092	2		TRANSISTOR PNP 6I PD=200MW FT=600MHZ	28480	1854-0092
A16Q5	1853-0015	7		TRANSISTOR PNP 6I PD=200MW FT=500MHZ	28480	1853-0015
A16Q6	1854-0045	5	1	TRANSISTOR NPN 6I TO-18 PD=500MW	28480	1854-0045
A16R1	0698-3155	1	1	RESISTOR 4.64K 1% .125W F TC=0+-100	24546	CA-1/B-T0-4641-F
A16R2	0757-0421	4		RESISTOR 825 1% .125W F TC=0+-100	24546	CA-1/B-T0-825R-F
A16R3	0698-3155	1		RESISTOR 4.64K 1% .125W F TC=0+-100	24546	CA-1/B-T0-4641-F
A16R4	0698-0082	7		RESISTOR 464 1% .125W F TC=0+-100	24546	CA-1/B-T0-4640-F
A16R5	0757-1092	7		RESISTOR 287 1% .5W F TC=0+-100	28480	0757-1092
A16R6	0757-0289	2	3	RESISTOR 13.3K 1% .125W F TC=0+-100	19791	MFAC1/B-T0-1332-F
A16R7	0757-0439	4		RESISTOR 6.81K 1% .125W F TC=0+-100	24546	CA-1/B-T0-6811-F
A16R8	0757-0416	7		RESISTOR 511 1% .125W F TC=0+-100	24546	CA-1/B-T0-511R-F
A16R9	0757-0420	3		RESISTOR 750 1% .125W F TC=0+-100	24546	CA-1/B-T0-751-F
A16R10	0698-0085	0		RESISTOR 2.61K 1% .125W F TC=0+-100	24546	CA-1/B-T0-2611-F
A16R11	0757-0416	7	4	RESISTOR 511 1% .125W F TC=0+-100	24546	CA-1/B-T0-511R-F
A16R12	0757-0442	9		RESISTOR 10K 1% .125W F TC=0+-100	24546	CA-1/B-T0-1002-F
A16R13	0698-3446	3		RESISTOR 383 1% .125W F TC=0+-100	24546	CA-1/B-T0-383R-F
A16R14	0757-0424	7		RESISTOR 1.1K 1% .125W F TC=0+-100	24546	CA-1/B-T0-1101-F
A16R15	0757-0442	9		RESISTOR 10K 1% .125W F TC=0+-100	24546	CA-1/B-T0-1002-F

See introduction to this section for ordering information
 *Indicates factory selected value

Table 6-3. Replaceable Parts

Reference Designation	HP Part Number	C D	Qty	Description	Mfr Code	Mfr Part Number
A16R16	0757-0424	7		RESISTOR 1.1K 1% .125W F TC=0+-100	24546	CA-1/B-TD-1101-F
A16R17	0757-0416	7		RESISTOR 511 1% .125W F TC=0+-100	24546	CA-1/B-TD-511R-F
A16R18	0698-3450	9	2	RESISTOR 42.2K 1% .125W F TC=0+-100	24546	CA-1/B-TD-4222-F
A16R19	0757-0447	4	1	RESISTOR 16.2K 1% .125W F TC=0+-100	24546	CA-1/B-TD-1622-F
A16R20	0698-3430	5	1	RESISTOR 21.5 1% .125W F TC=0+-100	03880	PH55-1/B-TD-21R5-F
A16R21	0757-0424	7		RESISTOR 1.1K 1% .125W F TC=0+-100	24546	CA-1/B-TD-1101-F
A16R22	0757-0421	4		RESISTOR 825 1% .125W F TC=0+-100	24546	CA-1/B-TD-825R-F
A16R23	0698-3447	4	5	RESISTOR 422 1% .125W F TC=0+-100	24546	CA-1/B-TD-422R-F
A16R24	0757-0279	0	6	RESISTOR 3.16K 1% .125W F TC=0+-100	24546	CA-1/B-TD-3161-F
A16R25	0698-3153	9	3	RESISTOR 3.03K 1% .125W F TC=0+-100	24546	CA-1/B-TD-3031-F
A16R26	0757-0279	0		RESISTOR 3.16K 1% .125W F TC=0+-100	24546	CA-1/B-TD-3161-F
A16R27	0757-0279	0		RESISTOR 3.16K 1% .125W F TC=0+-100	24546	CA-1/B-TD-3161-F
A16R28	0698-0084	9		RESISTOR 2.15K 1% .125W F TC=0+-100	24546	CA-1/B-TD-2151-F
A16R29	0757-0200	7		RESISTOR 5.62K 1% .125W F TC=0+-100	24546	CA-1/B-TD-5621-F
A16R30	0757-0394	0	4	RESISTOR 51.1 1% .125W F TC=0+-100	24546	CA-1/B-TD-51R1-F
A16R31	0757-0394	0		RESISTOR 51.1 1% .125W F TC=0+-100	24546	CA-1/B-TD-51R1-F
A16R32	0757-0280	3		RESISTOR 7K 1% .125W F TC=0+-100	24546	CA-1/B-TD-1001-F
A16R33	0698-3162	0	3	RESISTOR 46.4K 1% .125W F TC=0+-100	24546	CA-1/B-TD-4642-F
A16R34	0698-3450	9		RESISTOR 42.2K 1% .125W F TC=0+-100	24546	CA-1/B-TD-4222-F
A16R35	0757-0420	3		RESISTOR 750 1% .125W F TC=0+-100	24546	CA-1/B-TD-751-F
A16R36	0698-3156	2		RESISTOR 14.7K 1% .125W F TC=0+-100	24546	CA-1/B-TD-1472-F
A16R37	0757-0289	2		RESISTOR 13.3K 1% .125W F TC=0+-100	19701	MFAC1/B-TD-1332-F
A16R38	2100-1760	7	3	RESISTOR-TRMR 5K 5% MW SIDE-ADJ 1-TRM	20480	2100-1760
A16R39	0757-0280	3		RESISTOR 1K 1% .125W F TC=0+-100	24546	CA-1/B-TD-1001-F
A16R40	0757-0274	5	3	RESISTOR 1.21K 1% .125W F TC=0+-100	24546	CA-1/B-TD-1211-F
A16R41	0698-3156	2		RESISTOR 14.7K 1% .125W F TC=0+-100	24546	CA-1/B-TD-1472-F
A16R42	0757-1094	9	1	RESISTOR 1.47K 1% .125W F TC=0+-100	24546	CA-1/B-TD-1471-F
A16R43	0698-3158	4	1	RESISTOR 23.7K 1% .125W F TC=0+-100	24546	CA-1/B-TD-2372-F
A16R44	0757-0394	0		RESISTOR 51.1 1% .125W F TC=0+-100	24546	CA-1/B-TD-51R1-F
A16R45	0757-0426	3		RESISTOR 750 1% .125W F TC=0+-100	24546	CA-1/B-TD-751-F
A16R46	0757-0440	7	2	RESISTOR 7.5K 1% .125W F TC=0+-100	24546	CA-1/B-TD-7501-F
A16R47	0757-0441	8	4	RESISTOR 8.25K 1% .125W F TC=0+-100	24546	CA-1/B-TD-8251-F
A16T1	08660-80001	9	1	TRANSFORMER, SAMPLER	20480	08660-80001
A16TP1	0360-0124	3	8	CONNECTOR-SGL CONT PIN .04-IN-B5C-6Z RND	20480	0360-0124
A16TP2	0360-0124	3		CONNECTOR-SGL CONT PIN .04-IN-B5C-6Z RND	20480	0360-0124
A16TP3	0360-0124	3		CONNECTOR-SGL CONT PIN .04-IN-B5C-6Z RND	20480	0360-0124
A16TP4	0360-0124	3		CONNECTOR-SGL CONT PIN .04-IN-B5C-6Z RND	20480	0360-0124
A16TP5	0360-0124	3		CONNECTOR-SGL CONT PIN .04-IN-B5C-6Z RND	20480	0360-0124
A16TP6	0360-0124	3		CONNECTOR-SGL CONT PIN .04-IN-B5C-6Z RND	20480	0360-0124
A16TP7	0360-0124	3		CONNECTOR-SGL CONT PIN .04-IN-B5C-6Z RND	20480	0360-0124
A16TP8	0360-0124	3		CONNECTOR-SGL CONT PIN .04-IN-B5C-6Z RND	20480	0360-0124
A16U1	1820-0058	9	1	IC OP AMP CP TD-99 PKG	20486	TOA 2709V
A16U2	1820-1213	0	2	IC FF TTL LS J-K NEG-EDGE-TRIG PRESET	01295	SN74LS113AN
A16U3	1820-1213	0		IC FF TTL LS J-K NEG-EDGE-TRIG PRESET	01295	SN74LS113AN
A16U4	1820-0469	6	1	IC FF TTL H-J-K NEG-EDGE-TRIG	01295	SN74H102M
A16U5	1820-0751	9		IC CNTR TTL DECD NEG-EDGE-TRIG PRESET	01295	SN74196N
A16U6	1820-0751	9		IC CNTR TTL DECD NEG-EDGE-TRIG PRESET	01295	SN74196N
A16U7	1820-1203	8	1	IC GATE TTL LS AND TPL 3-INP	01295	SN74LS11N
				A16 MISCELLANEOUS		
	08660-20155	8	2	SHIELD, INDUCTOR	20480	08660-20155
	08660-20155	8		SHIELD, INDUCTOR	20480	08660-20155
A17	08660-60010	8	1	BOARD ASSY, N1 OSCILLATOR	20480	08660-60010
A17C1	40180-0058	2	1		20480	40180-0058
A17C2	0180-2215	5	1	CAPACITOR-FXD 170UF+75-10% 15VDC AL	56289	30D177C015DD2
A17C3	0180-0049	9	4	CAPACITOR-FXD 20UF+75-10% 50VDC AL	56289	30D206C050CC2
A17C4	0180-1704	5	2	CAPACITOR-FXD 47UF+-10% 6VDC TA	56289	1500476X9006R2
A17C5	0150-0121	5		CAPACITOR-FXD .1UF +80-20% 50VDC CER	20480	0150-0121
A17C6	0150-0121	5		CAPACITOR-FXD .1UF +80-20% 50VDC CER	20480	0150-0121
A17C7	0160-2055	9		CAPACITOR-FXD .01UF +80-20% 100VDC CER	20480	0160-2055
A17C8	0180-0229	7		CAPACITOR-FXD 33UF+-10% 10VDC TA	56289	1500336X9010B2
A17C9	0180-0228	6		CAPACITOR-FXD 22UF+-10% 15VDC TA	56289	1500226X9015B2
A17C10	0180-0229	7		CAPACITOR-FXD 33UF+-10% 10VDC TA	56289	1500336X9010B2
A17C11	0180-0183	2	2	CAPACITOR-FXD 10UF+75-10% 50VDC AL	56289	30D106C050CB2
A17C12	0180-0374	3	1	CAPACITOR-FXD 10UF+-10% 20VDC TA	56289	150D106X9020B2
A17C13	0160-2055	9		CAPACITOR-FXD .01UF +80-20% 100VDC CER	20480	0160-2055
A17C14	0160-3047	1	1	CAPACITOR-FXD 3200PF +-1% 100VDC MICA	20480	0160-3047
A17C15	0160-0386	5	6	CAPACITOR-FXD 3.3PF +--.25PF 500VDC CER	20480	0160-0386
A17C16†	0160-3879	7	1	CAPACITOR-FXD .01UF +-20% 100VDC CER	20480	0160-3879
A17C17	0121-0059	7	2	CAPACITOR-V TRMR-CER 2-BPF 350V PC-MTG	52763	304324 2/BPF NPD
A17C18	0160-2204	0		CAPACITOR-FXD 100PF +-5% 300VDC MICA	20480	0160-2204
A17C19	0160-2055	9		CAPACITOR-FXD .01UF +80-20% 100VDC CER	20480	0160-2055
A17C20	0160-0301	4	3	CAPACITOR-FXD .012UF +-10% 200VDC POLYE	20480	0160-0301

See Introduction to this section for ordering information
 *Indicates factory selected value
 † BACKDATING INFORMATION IN SECTION VII

Table 6-3. Replaceable Parts

Reference Designation	HP Part Number	C D	Qty	Description	Mfr Code	Mfr Part Number
A17C21	0160-3092	6	1	CAPACITOR-FXD 1600PF +-1% 100VDC MICA NOT ASSIGNED	28480	0160-3092
A17C22						
A17C23	0160-0386	5		CAPACITOR-FXD 3.3PF +- .25PF 500VDC CER	28480	0160-0386
A17C24	0160-0306	5		CAPACITOR-FXD 3.3PF +- .25PF 500VDC CER	28480	0160-0386
A17C25	0160-2055	9		CAPACITOR-FXD .01UF +80-20% 100VDC CER	28480	0160-2055
A17C26	0160-2055	9		CAPACITOR-FXD .01UF +80-20% 100VDC CER	28480	0160-2055
A17C27	0160-2055	9		CAPACITOR-FXD .01UF +80-20% 100VDC CER	28480	0160-2055
A17C28	0160-2055	9		CAPACITOR-FXD .01UF +80-20% 100VDC CER	28480	0160-2055
A17C29	0160-2055	9		CAPACITOR-FXD .01UF +80-20% 100VDC CER	28480	0160-2055
A17C30	0160-2055	9		CAPACITOR-FXD .01UF +80-20% 100VDC CER	28480	0160-2055
A17C31	0160-2055	9		CAPACITOR-FXD .01UF +80-20% 100VDC CER	28480	0160-2055
A17C32	0150-0121	5		CAPACITOR-FXD .1UF +80-20% 50VDC CER	28480	0150-0121
A17C33	0160-2055	9		CAPACITOR-FXD .01UF +80-20% 100VDC CER	28480	0160-2055
A17C34	0160-2055	9		CAPACITOR-FXD .01UF +80-20% 100VDC CER	28480	0160-2055
A17C35	0160-2055	9		CAPACITOR-FXD .01UF +80-20% 100VDC CER	28480	0160-2055
A17C36	0160-2055	9		CAPACITOR-FXD .01UF +80-20% 100VDC CER	28480	0160-2055
A17C37	0160-0162	1	1	CAPACITOR-FXD .022UF +-10% 200VDC POLYE	28480	0160-0162
A17C38	0140-0210	2	1	CAPACITOR-FXD 270PF +-5% 300VDC MICA	72136	DH15F271J0300WV1CR
A17C39	0160-2055	9		CAPACITOR-FXD .01UF +80-20% 100VDC CER	28480	0160-2055
A17CR1	1901-0040	1		DIODE-SWITCHING 30V 50MA 2N6 DO-35	28480	1901-0040
A17CR2	1901-0040	1		DIODE-SWITCHING 30V 50MA 2N6 DO-35	28480	1901-0040
A17CR3	1901-0040	1		DIODE-SWITCHING 30V 50MA 2N6 DO-35	28480	1901-0040
A17CR4	1901-0040	1		DIODE-SWITCHING 30V 50MA 2N6 DO-35	28480	1901-0040
A17CR5	1901-0040	1		DIODE-SWITCHING 30V 50MA 2N6 DO-35	28480	1901-0040
A17CR6	0122-0264	8	2	DIODE-VVC 1N514BA 47PF 5% C4/C60-MIN=3.2	04713	1N514BA
A17CR7	0122-0262	6	2	DIODE-VVC 1N5147A 39PF 5% C4/C60-MIN=3.2	04713	1N5147A
A17CR8	1901-0040	1		DIODE-SWITCHING 30V 50MA 2N6 DO-35	28480	1901-0040
A17CR9	1901-0040	1		DIODE-SWITCHING 30V 50MA 2N6 DO-35	28480	1901-0040
A17CR10	1901-0040	1		DIODE-SWITCHING 30V 50MA 2N6 DO-35	28480	1901-0040
A17CR11	1901-0040	1		DIODE-SWITCHING 30V 50MA 2N6 DO-35	28480	1901-0040
A17CR12	1901-0040	1		DIODE-SWITCHING 30V 50MA 2N6 DO-35	28480	1901-0040
A17CR13	1901-0040	1		DIODE-SWITCHING 30V 50MA 2N6 DO-35	28480	1901-0040
A17CR14	1901-0040	1		DIODE-SWITCHING 30V 50MA 2N6 DO-35	28480	1901-0040
A17CR15	1901-0040	1		DIODE-SWITCHING 30V 50MA 2N6 DO-35	28480	1901-0040
A17CR16	1901-0040	1		DIODE-SWITCHING 30V 50MA 2N6 DO-35	28480	1901-0040
A17CR17	1901-0040	1		DIODE-SWITCHING 30V 50MA 2N6 DO-35	28480	1901-0040
A17L1	9100-1629	4		INDUCTOR RF-CH-MLD 47UH 5% .166DX.385LC	28480	9100-1629
A17L2	9100-2562	6	2	INDUCTOR RF-CH-MLD 100UH 10%	28480	9100-2562
A17L3	9100-1629	4		INDUCTOR RF-CH-MLD 47UH 5% .166DX.385LC	28480	9100-1629
A17L4	9100-1629	4		INDUCTOR RF-CH-MLD 47UH 5% .166DX.385LC	28480	9100-1629
A17L5	9140-0179	1		INDUCTOR RF-CH-MLD 22UH 10% .166DX.385LC	28480	9140-0179
A17L6	08660-80025	7	2	COIL-650MH	28480	08660-80025
A17L7	9100-1652	3	1	INDUCTOR RF-CH-MLD 820UH 5% .2DX.45LC	28480	9100-1652
A17L8	9100-2566	6	1	INDUCTOR RF-CH-MLD 270UH 10%	28480	9100-2566
A17L9	9100-2568	2	1	INDUCTOR RF-CH-MLD 390UH 10%	28480	9100-2568
A17Q1	1854-0092	2		TRANSISTOR NPN 6I PD=200MW FT=600MHZ	28480	1854-0092
A17Q2	1853-0451	5	6	TRANSISTOR PNP 2N3799 6I TO-18 PD=360MW	01295	2N3799
A17Q3	1854-0345	5	2	TRANSISTOR NPN 2N5179 6I TO-72 PD=200MW	04713	2N5179
A17Q4	1853-0451	5		TRANSISTOR PNP 2N3799 6I TO-18 PD=360MW	01295	2N3799
A17Q5	1855-0081	5	2	TRANSISTOR J-FET N-CHAN D-MODE 6I	28480	1855-0081
A17Q6	1854-0087	5	3	TRANSISTOR NPN 6I PD=360MW FT=75MHZ	28480	1854-0087
A17Q7	1853-0451	5		TRANSISTOR PNP 2N3799 6I TO-18 PD=360MW	01295	2N3799
A17Q8	1854-0092	5		TRANSISTOR NPN 6I PD=200MW FT=600MHZ	28480	1854-0092
A17Q9	1854-0087	5		TRANSISTOR NPN 6I PD=360MW FT=75MHZ	28480	1854-0087
A17Q10	1854-0092	5		TRANSISTOR NPN 6I PD=200MW FT=600MHZ	28480	1854-0092
A17Q11	1853-0036	2	25	TRANSISTOR PNP 6I PD=310MW FT=250MHZ	28480	1853-0036
A17Q12	1853-0036	2		TRANSISTOR PNP 6I PD=310MW FT=250MHZ	28480	1853-0036
A17Q13	1853-0036	2		TRANSISTOR PNP 6I PD=310MW FT=250MHZ	28480	1853-0036
A17Q14	1853-0036	2		TRANSISTOR PNP 6I PD=310MW FT=250MHZ	28480	1853-0036
A17Q15	1854-0092	2		TRANSISTOR NPN 6I PD=200MW FT=600MHZ	28480	1854-0092
A17Q16	1853-0036	2		TRANSISTOR PNP 6I PD=310MW FT=250MHZ	28480	1853-0036
A17Q17	1853-0036	2		TRANSISTOR PNP 6I PD=310MW FT=250MHZ	28480	1853-0036
A17Q18	1853-0036	2		TRANSISTOR PNP 6I PD=310MW FT=250MHZ	28480	1853-0036
A17Q19	1853-0036	2		TRANSISTOR PNP 6I PD=310MW FT=250MHZ	28480	1853-0036
A17R1	0757-042B	1	8	RESISTOR 1.62K 1% .125W F TC=0+-100	24546	C4-1/8-T0-1621-F
A17R2	0757-042B	1		RESISTOR 1.62K 1% .125W F TC=0+-100	24546	C4-1/8-T0-1621-F
A17R3	0757-042B	1		RESISTOR 1.62K 1% .125W F TC=0+-100	24546	C4-1/8-T0-1621-F
A17R4	0757-042B	1		RESISTOR 1.62K 1% .125W F TC=0+-100	24546	C4-1/8-T0-1621-F
A17R5	0757-042B	1		RESISTOR 1.62K 1% .125W F TC=0+-100	24546	C4-1/8-T0-1621-F
A17R6	0757-042B	1		RESISTOR 1.62K 1% .125W F TC=0+-100	24546	C4-1/8-T0-1621-F
A17R7	0757-042B	1		RESISTOR 1.62K 1% .125W F TC=0+-100	24546	C4-1/8-T0-1621-F
A17R8	0757-042B	1		RESISTOR 1.62K 1% .125W F TC=0+-100	24546	C4-1/8-T0-1621-F
A17R9	0757-0442	1	0	RESISTOR 10K 1% .125W F TC=0+-100	24546	C4-1/8-T0-1002-F
A17R10	0757-0442	9		RESISTOR 10K 1% .125W F TC=0+-100	24546	C4-1/8-T0-1002-F

See Introduction to this section for ordering information
 *Indicates factory selected value
 †BACKDATING INFORMATION IN SECTION VII

Table 6-3. Replaceable Parts

Reference Designation	HP Part Number	C D	Qty	Description	Mfr Code	Mfr Part Number
A17R11	0757-0442	9		RESISTOR 10K 1X .125W F TC=0+-100	24546	CA-1/8-TD-1002-F
A17R12	0757-0442	9		RESISTOR 10K 1X .125W F TC=0+-100	24546	CA-1/8-TD-1002-F
A17R13	0757-0442	9		RESISTOR 10K 1X .125W F TC=0+-100	24546	CA-1/8-TD-1002-F
A17R14	0757-0442	9		RESISTOR 10K 1X .125W F TC=0+-100	24546	CA-1/8-TD-1002-F
A17R15	0757-0442	9		RESISTOR 10K 1X .125W F TC=0+-100	24546	CA-1/8-TD-1002-F
A17R16	0757-0442	9		RESISTOR 10K 1X .125W F TC=0+-100	24546	CA-1/8-TD-1002-F
A17R17	0757-0479	2	2	RESISTOR 392K 1X .125W F TC=0+-100	19701	MFAC1/8-TD-3923-F
A17R18	0757-0472	5	2	RESISTOR 200K 1X .125W F TC=0+-100	24546	CA-1/8-TD-2003-F
A17R19	0757-0465	6	2	RESISTOR 100K 1X .125W F TC=0+-100	24546	CA-1/8-TD-1003-F
A17R20	069B-322B	9	2	RESISTOR 49.9K 1X .125W F TC=0+-100	2B480	069B-322B
A17R21	0757-0124	4	1	RESISTOR 39.2K 1X .125W F TC=0+-100	2B480	0757-0124
A17R22	0757-0449	6	1	RESISTOR 20K 1X .125W F TC=0+-100	24546	CA-1/8-TD-2002-F
A17R23	0757-0442	9		RESISTOR 10K 1X .125W F TC=0+-100	24546	CA-1/8-TD-1002-F
A17R24	069B-4002	9	1	RESISTOR 5K 1X .125W F TC=0+-100	24546	CA-1/8-TD-5001-F
A17R25	0757-0442	9		RESISTOR 10K 1X .125W F TC=0+-100	24546	CA-1/8-TD-1002-F
A17R26	069B-3441	0		RESISTOR 215 1X .125W F TC=0+-100	24546	CA-1/8-TD-215R-F
A17R27	069B-0085	0		RESISTOR 2.61K 1X .125W F TC=0+-100	24546	CA-1/8-TD-2611-F
A17R28	2100-1750	7		RESISTOR-TRMR 5K 5X WW SIDE-ADJ 1-TRN	2B480	2100-1760
A17R29	069B-3156	2		RESISTOR 14.7K 1X .125W F TC=0+-100	24546	CA-1/8-TD-1472-F
A17R30	0757-0274	5		RESISTOR 1.21K 1X .125W F TC=0+-100	24546	CA-1/8-TD-1211-F
A17R31	2100-1759	4	2	RESISTOR-TRMR 2K 5X WW SIDE-ADJ 1-TRN	2B480	2100-1759
A17R32	0757-0290	5	2	RESISTOR 6.19K 1X .125W F TC=0+-100	19701	MFAC1/8-TD-6191-F
A17R33	0757-0200	7		RESISTOR 5.62K 1X .125W F TC=0+-100	24546	CA-1/8-TD-5621-F
A17R34	0757-0199	3	2	RESISTOR 21.5K 1X .125W F TC=0+-100	24546	CA-1/8-TD-2152-F
A17R35	069B-0085	0		RESISTOR 2.61K 1X .125W F TC=0+-100	24546	CA-1/8-TD-2611-F
A17R36	0757-0421	4		RESISTOR 825 1X .125W F TC=0+-100	24546	CA-1/8-TD-825R-F
A17R37	069B-4037	0	1	RESISTOR 46.4 1X .125W F TC=0+-100	24546	CA-1/8-TD-464R-F
A17R38	069B-3162	0		RESISTOR 46.4K 1X .125W F TC=0+-100	24546	CA-1/8-TD-4642-F
A17R39	069B-3155	1		RESISTOR 4.64K 1X .125W F TC=0+-100	24546	CA-1/8-TD-4641-F
A17R40	0757-0441	0		RESISTOR 8.25K 1X .125W F TC=0+-100	24546	CA-1/8-TD-8251-F
A17R41	0757-0279	0		RESISTOR 3.16K 1X .125W F TC=0+-100	24546	CA-1/8-TD-3161-F
A17R42	0757-0834	3	2	RESISTOR 5.62K 1X .5W F TC=0+-100	2B480	0757-0834
A17R43	0757-0317	7	4	RESISTOR 1.33K 1X .125W F TC=0+-100	24546	CA-1/8-TD-1331-F
A17R44	0757-0199	3		RESISTOR 21.5K 1X .125W F TC=0+-100	24546	CA-1/8-TD-2152-F
A17R45	0757-0442	9		RESISTOR 10K 1X .125W F TC=0+-100	24546	CA-1/8-TD-1002-F
A17R46	069B-3441	0		RESISTOR 215 1X .125W F TC=0+-100	24546	CA-1/8-TD-215R-F
A17R47	069B-3459	0	2	RESISTOR 393K 1X .125W F TC=0+-100	2B480	069B-3459
A17R48	069B-0082	7		RESISTOR 464 1X .125W F TC=0+-100	24546	CA-1/8-TD-4640-F
A17R49	0757-0835	4	1	RESISTOR 6.81K 1X .5W F TC=0+-100	2B480	0757-0835
A17R50	069B-3266	5	4	RESISTOR 237K 1X .125W F TC=0+-100	24546	CA-1/8-TD-2373-F
A17R51	069B-3440	7	0	RESISTOR 196 1X .125W F TC=0+-100	24546	CA-1/8-TD-196R-F
A17R52	069B-3447	4		RESISTOR 422 1X .125W F TC=0+-100	24546	CA-1/8-TD-422R-F
A17R53	069B-3266	5		RESISTOR 237K 1X .125W F TC=0+-100	24546	CA-1/8-TD-2373-F
A17R54	069B-3445	2	4	RESISTOR 348 1X .125W F TC=0+-100	24546	CA-1/8-TD-348R-F
A17R55	069B-3243	0	6	RESISTOR 178K 1X .125W F TC=0+-100	24546	CA-1/8-TD-1783-F
A17R56	069B-3443	0	4	RESISTOR 287 1X .125W F TC=0+-100	24546	CA-1/8-TD-287R-F
A17R57	069B-3243	0		RESISTOR 178K 1X .125W F TC=0+-100	24546	CA-1/8-TD-1783-F
A17R58	069B-3132	4	4	RESISTOR 211 1X .125W F TC=0+-100	24546	CA-1/8-TD-2610-F
A17R59	0757-0464	7	2	RESISTOR 110K 1X .125W F TC=0+-100	24546	CA-1/8-TD-1103-F
A17R60	0683-8245	9	2	RESISTOR 820K 5X .25W FC TC=-800/+900	01121	CB8245
A17R61	069B-3243	0		RESISTOR 178K 1X .125W F TC=0+-100	24546	CA-1/8-TD-1783-F
A17R62	069B-3440	7		RESISTOR 196 1X .125W F TC=0+-100	24546	CA-1/8-TD-196R-F
A17R63	069B-3440	7		RESISTOR 196 1X .125W F TC=0+-100	24546	CA-1/8-TD-196R-F
A17R64	069B-0082	7		RESISTOR 464 1X .125W F TC=0+-100	24546	CA-1/8-TD-4640-F
A17R65	0757-0467	0	2	RESISTOR 121K 1X .125W F TC=0+-100	24546	CA-1/8-TD-1213-F
A17R66	069B-3439	4	2	RESISTOR 178 1X .125W F TC=0+-100	24546	CA-1/8-TD-178R-F
A17R67	0757-0290	7		RESISTOR 5.62K 1X .125W F TC=0+-100	24546	CA-1/8-TD-5621-F
A17R68	069B-3154	0	9	RESISTOR 4.22K 1X .125W F TC=0+-100	24546	CA-1/8-TD-4221-F
A17R69	0757-0464	5	2	RESISTOR 90.9K 1X .125W F TC=0+-100	24546	CA-1/8-TD-9092-F
A17R70	069B-3445	2		RESISTOR 348 1X .125W F TC=0+-100	24546	CA-1/8-TD-348R-F
A17R71	0757-0405	4	2	RESISTOR 162 1X .125W F TC=0+-100	24546	CA-1/8-TD-162R-F
A17R72	0757-0461	2	2	RESISTOR 68.1K 1X .125W F TC=0+-100	24546	CA-1/8-TD-6812-F
A17R73	0757-0403	2	1	RESISTOR 121 1X .125W F TC=0+-100	24546	CA-1/8-TD-121R-F
A17R74	069B-3444	1	10	RESISTOR 316 1X .125W F TC=0+-100	24546	CA-1/8-TD-316R-F
A17R75	069B-3437	2	2	RESISTOR 133 1X .125W F TC=0+-100	24546	CA-1/8-TD-133R-F
A17R76	0757-0458	7	2	RESISTOR 51.1K 1X .125W F TC=0+-100	24546	CA-1/8-TD-5112-F
A17R77	069B-3442	9	4	RESISTOR 237 1X .125W F TC=0+-100	24546	CA-1/8-TD-237R-F
A17R78	0757-0401	0		RESISTOR 100 1X .125W F TC=0+-100	24546	CA-1/8-TD-101-F
A17R79	0757-0260	7		RESISTOR 5.62K 1X .125W F TC=0+-100	24546	CA-1/8-TD-5621-F
A17R80	0757-0280	3		RESISTOR 11 1X .125W F TC=0+-100	24546	CA-1/8-TD-1001-F
A17R81	069B-3154	0		RESISTOR 4.22K 1X .125W F TC=0+-100	24546	CA-1/8-TD-4221-F
A17R82	0757-0401	0		RESISTOR 100 1X .125W F TC=0+-100	24546	CA-1/8-TD-101-F
A17R83	069B-3132	4		RESISTOR 261 1X .125W F TC=0+-100	24546	CA-1/8-TD-2610-F
A17R84	069B-3444	1		RESISTOR 316 1X .125W F TC=0+-100	24546	CA-1/8-TD-316R-F
A17R85	069B-3444	1		RESISTOR 316 1X .125W F TC=0+-100	24546	CA-1/8-TD-316R-F

See introduction to this section for ordering information
 *Indicates factory selected value

Table 6-3. Replaceable Parts

Reference Designation	HP Part Number	C D	Qty	Description	Mfr Code	Mfr Part Number
A17R86	0757-0200	7		RESISTOR 5.62K 1% .125W F TC=0+-100	24546	CA-1/8-TD-5621-F
A17R87	0698-3154	0		RESISTOR 4.22K 1% .125W F TC=0+-100	24546	CA-1/8-TD-4221-F
A17R88	0698-3444	1		RESISTOR 316 1% .125W F TC=0+-100	24546	CA-1/8-TD-316R-F
A17R89	0698-3444	1		RESISTOR 316 1% .125W F TC=0+-100	24546	CA-1/8-TD-316R-F
A17R90	0698-3444	1		RESISTOR 316 1% .125W F TC=0+-100	24546	CA-1/8-TD-316R-F
A17R91	0698-3433	8	2	RESISTOR 28.7 1% .125W F TC=0+-100	03888	PHE55-1/8-TD-28R7-F
A17R92	0698-3432	7	1	RESISTOR 26.1 1% .125W F TC=0+-100	03888	PHE55-1/8-TD-26R1-F
A17R93	0698-3433	8		RESISTOR 28.7 1% .125W F TC=0+-100	03888	PHE55-1/8-TD-28R7-F
A17R94	0698-3153	0		RESISTOR 4.22K 1% .125W F TC=0+-100	24546	CA-1/8-TD-4221-F
A17R95	0698-0084	9		RESISTOR 2.15K 1% .125W F TC=0+-100	24546	CA-1/8-TD-2151-F
A17R96	0757-0200	3		RESISTOR 1K 1% .125W F TC=0+-100	24546	CA-1/8-TD-1001-F
A17R97	0698-3153	9		RESISTOR 3.03K 1% .125W F TC=0+-100	24546	CA-1/8-TD-3031-F
A17R98	0757-0442	9		RESISTOR 10K 1% .125W F TC=0+-100	24546	CA-1/8-TD-1002-F
A17R99	0698-3441	8		RESISTOR 215 1% .125W F TC=0+-100	24546	CA-1/8-TD-215R-F
A17U1	1820-0054	5		IC GATE TTL NAND QUAD 2-INP	01295	6N7400N
A17U2	1820-0054	5		IC GATE TTL NAND QUAD 2-INP	01295	6N7400N
A18	08660-60015	3	1	BOARD ASSY, 6L1 MIXER	28480	08660-60015
A18C1	0180-1704	5		CAPACITOR-FXD 47UF+-10% 6VDC 7A	56289	150D476X9006R2
A18C2				NOT ASSIGNED		
A18C3	0150-0121	5		CAPACITOR-FXD .1UF +80-20% 50VDC CER	28480	0150-0121
A18C4				NOT ASSIGNED		
A18C5	0160-0174	9		CAPACITOR-FXD .47UF +80-20% 25VDC CER	28480	0160-0174
A18C6				NOT ASSIGNED		
A18C7	0160-2055	9		CAPACITOR-FXD .01UF +80-20% 100VDC CER	28480	0160-2055
A18C8	0150-0121	5		CAPACITOR-FXD .1UF +80-20% 50VDC CER	28480	0150-0121
A18C9	0160-2055	9		CAPACITOR-FXD .01UF +80-20% 100VDC CER	28480	0160-2055
A18C10	0160-0301	4		CAPACITOR-FXD .012UF +-10% 200VDC POLYE	28480	0160-0301
A18C11	0160-0301	4		CAPACITOR-FXD .012UF +-10% 200VDC POLYE	28480	0160-0301
A18C12	0160-0174	9		CAPACITOR-FXD .47UF +80-20% 25VDC CER	28480	0160-0174
A18C13	0160-2055	9		CAPACITOR-FXD .01UF +80-20% 100VDC CER	28480	0160-2055
A18C14	0160-2055	9		CAPACITOR-FXD .01UF +80-20% 100VDC CER	28480	0160-2055
A18C15	0150-0121	5		CAPACITOR-FXD .1UF +80-20% 50VDC CER	28480	0150-0121
A18C16	0180-2214	4	2	CAPACITOR-FXD 90UF+75-10% 16VDC AL	56289	30D906C016CC2
A18C17	0160-2327	8	1	CAPACITOR-FXD 1000PF +-20% 100VDC CER	51642	150-110-X5R-102M
A18C18				NOT ASSIGNED		
A18C19	0160-2055	9		CAPACITOR-FXD .01UF +80-20% 100VDC CER	28480	0160-2055
A18C20	0180-0141	2	2	CAPACITOR-FXD 50UF+75-10% 50VDC AL	56289	30D506C050DD2
A18C21	0180-1019	3	1	CAPACITOR-FXD 100UF+75-10% 50VDC AL	56289	30D107C050DH2
A18C22	0180-0141	2	1	CAPACITOR-FXD 50UF+75-10% 50VDC AL	56289	30D506C050DD2
A18CR1	1901-0040	1		DIODE-SWITCHING 30V 50mA 2N5 00-35	28480	1901-0040
A18CR2	1901-0518	8	1	DIODE-SM SIG SCHOTTKY	28480	1901-0518
A18E1	10534C	8	1	MIXER, 200 MHZ	28480	10534C
A18L1	9100-1629	4		INDUCTOR RF-CH-MLD 47UH 5% .166DX.305LC	28480	9100-1629
A18L2	9140-0114	4		INDUCTOR RF-CH-MLD 10UH 10% .166DX.385LC	28480	9140-0114
A18L3	9140-0179	1		INDUCTOR RF-CH-MLD 22UH 10% .166DX.385LC	28480	9140-0179
A18L4	9140-0179	1		INDUCTOR RF-CH-MLD 22UH 10% .166DX.385LC	28480	9140-0179
A18L5	9100-1621	6	1	INDUCTOR RF-CH-MLD 18UH 10% .166DX.385LC	28480	9100-1621
A18L6	9140-0179	1		INDUCTOR RF-CH-MLD 22UH 10% .166DX.385LC	28480	9140-0179
A18Q1	1854-0092	2		TRANSISTOR NPN 5I PD=200MW FT=600MHZ	28480	1854-0092
A18Q2	1854-0092	2		TRANSISTOR NPN 5I PD=200MW FT=600MHZ	28480	1854-0092
A18Q3	1853-0036	0		TRANSISTOR PNP 2N3799 5I TD=1B PD=360MW	01295	2N3799
A18Q4	1854-0087	0		TRANSISTOR NPN 5I PD=360MW FT=75MHZ	28480	1854-0087
A18Q5	1853-0036	2		TRANSISTOR PNP 5I PD=310MW FT=250MHZ	28480	1853-0036
A18Q6	1853-0036	2		TRANSISTOR PNP 5I PD=310MW FT=250MHZ	28480	1853-0036
A18Q7	1853-0036	2		TRANSISTOR PNP 5I PD=310MW FT=250MHZ	28480	1853-0036
A18Q8	1853-0036	2		TRANSISTOR PNP 5I PD=310MW FT=250MHZ	28480	1853-0036
A18Q9	1853-0036	2		TRANSISTOR PNP 5I PD=310MW FT=250MHZ	28480	1853-0036
A18Q10	1853-0036	2		TRANSISTOR PNP 5I PD=310MW FT=250MHZ	28480	1853-0036
A18Q11	1853-0036	2		TRANSISTOR PNP 5I PD=310MW FT=250MHZ	28480	1853-0036
A18Q12	1853-0036	2		TRANSISTOR PNP 5I PD=310MW FT=250MHZ	28480	1853-0036
A18Q13	1853-0036	2		TRANSISTOR PNP 5I PD=310MW FT=250MHZ	28480	1853-0036
A18Q14	1854-0092	3		TRANSISTOR NPN 5I PD=200MW FT=600MHZ	28480	1854-0092
A18Q15	1854-0092	2		TRANSISTOR NPN 5I PD=200MW FT=600MHZ	28480	1854-0092
A18Q16	1853-0036	2		TRANSISTOR PNP 5I PD=310MW FT=250MHZ	28480	1853-0036
A18Q17	1853-0036	2		TRANSISTOR PNP 5I PD=310MW FT=250MHZ	28480	1853-0036
A18Q18	1854-0092	3		TRANSISTOR NPN 5I PD=200MW FT=600MHZ	28480	1854-0092
A18Q19	1853-0036	2		TRANSISTOR PNP 5I PD=310MW FT=250MHZ	28480	1853-0036
A18Q20	1853-0036	2		TRANSISTOR PNP 5I PD=310MW FT=250MHZ	28480	1853-0036
A18Q21	1853-0036	2		TRANSISTOR PNP 5I PD=310MW FT=250MHZ	28480	1853-0036
A18Q22	1853-0036	2		TRANSISTOR PNP 5I PD=310MW FT=250MHZ	28480	1853-0036
A18Q23	1853-0036	2		TRANSISTOR PNP 5I PD=310MW FT=250MHZ	28480	1853-0036
A18Q24	1853-0036	2		TRANSISTOR PNP 5I PD=310MW FT=250MHZ	28480	1853-0036

See introduction to this section for ordering information
 *Indicates factory selected value

Table 6-3. Replaceable Parts

Reference Designation	HP Part Number	C D	Qty	Description	Mfr Code	Mfr Part Number
A1BR1	069B-0083	B	17	RESISTOR 1.96K 1% .125W F TC=0+-100	24546	CA-1/B-TD-1961-F
A1BR2	069B-0083	B		RESISTOR 1.96K 1% .125W F TC=0+-100	24546	CA-1/B-TD-1961-F
A1BR3	069B-0083	B		RESISTOR 1.96K 1% .125W F TC=0+-100	24546	CA-1/B-TD-1961-F
A1BR4	069B-0083	B		RESISTOR 1.96K 1% .125W F TC=0+-100	24546	CA-1/B-TD-1961-F
A1BR5	069B-0083	B		RESISTOR 1.96K 1% .125W F TC=0+-100	24546	CA-1/B-TD-1961-F
A1BR6	069B-0083	B	RESISTOR 1.96K 1% .125W F TC=0+-100	24546	CA-1/B-TD-1961-F	
A1BR7	069B-0083	B	RESISTOR 1.96K 1% .125W F TC=0+-100	24546	CA-1/B-TD-1961-F	
A1BR8	069B-0083	B	RESISTOR 1.96K 1% .125W F TC=0+-100	24546	CA-1/B-TD-1961-F	
A1BR9	0757-0442	9	RESISTOR 10K 1% .125W F TC=0+-100	24546	CA-1/B-TD-1002-F	
A1BR10	0757-0442	9	RESISTOR 10K 1% .125W F TC=0+-100	24546	CA-1/B-TD-1002-F	
A1BR11	0757-0442	9	RESISTOR 10K 1% .125W F TC=0+-100	24546	CA-1/B-TD-1002-F	
A1BR12	0757-0442	9	RESISTOR 10K 1% .125W F TC=0+-100	24546	CA-1/B-TD-1002-F	
A1BR13	0757-0442	9	RESISTOR 10K 1% .125W F TC=0+-100	24546	CA-1/B-TD-1002-F	
A1BR14	0757-0442	9	RESISTOR 10K 1% .125W F TC=0+-100	24546	CA-1/B-TD-1002-F	
A1BR15	0757-0442	9	RESISTOR 10K 1% .125W F TC=0+-100	24546	CA-1/B-TD-1002-F	
A1BR16	0757-0442	9	RESISTOR 10K 1% .125W F TC=0+-100	24546	CA-1/B-TD-1002-F	
A1BR17	0757-0479	2	RESISTOR 392K 1% .125W F TC=0+-100	19701	MFAC1/B-TD-3923-F	
A1BR18	0757-0472	5	RESISTOR 200K 1% .125W F TC=0+-100	24546	CA-1/B-TD-2003-F	
A1BR19	0757-0465	6	RESISTOR 109K 1% .125W F TC=0+-100	24546	CA-1/B-TD-1003-F	
A1BR20	069B-3228	9	RESISTOR 49.9K 1% .125W F TC=0+-100	28480	069B-3228	
A1BR21	0683-3955	8	RESISTOR 3.9K 5% .25W FC TC=-900/+1100	01121	CB3955	
A1BR22	0683-2055	7	RESISTOR 2M 5% .25W FC TC=-900/+1100	01121	CB2055	
A1BR23	0683-1055	5	RESISTOR 1M 5% .25W FC TC=-800/+900	01121	CB1055	
A1BR24	069B-3263	2	RESISTOR 500K 1% .125W F TC=0+-100	28480	069B-3263	
A1BR25	069B-0083	8	RESISTOR 1.96K 1% .125W F TC=0+-100	24546	CA-1/B-TD-1961-F	
A1BR26	0757-0442	9	RESISTOR 10K 1% .125W F TC=0+-100	24546	CA-1/B-TD-1002-F	
A1BR27	0757-0200	7	RESISTOR 5.62K 1% .125W F TC=0+-100	24546	CA-1/B-TD-5621-F	
A1BR28	069B-3154	0	RESISTOR 4.22K 1% .125W F TC=0+-100	24546	CA-1/B-TD-4221-F	
A1BR29	069B-3440	7	RESISTOR 196 1% .125W F TC=0+-100	24546	CA-1/B-TD-196R-F	
A1BR30	069B-3154	0	RESISTOR 4.22K 1% .125W F TC=0+-100	24546	CA-1/B-TD-4221-F	
A1BR31	069B-3444	1	RESISTOR 316 1% .125W F TC=0+-100	24546	CA-1/B-TD-316R-F	
A1BR32	069B-3444	1	RESISTOR 316 1% .125W F TC=0+-100	24546	CA-1/B-TD-316R-F	
A1BR33	069B-0083	8	RESISTOR 1.96K 1% .125W F TC=0+-100	24546	CA-1/B-TD-1961-F	
A1BR34	0757-0442	9	RESISTOR 10K 1% .125W F TC=0+-100	24546	CA-1/B-TD-1002-F	
A1BR35	2100-2574	3	RESISTOR-TRMR 500 10% C SIDE-ADJ 1-TRM	30983	ET50X501	
A1BR36	069B-3155	1	RESISTOR 4.64K 1% .125W F TC=0+-100	24546	CA-1/B-TD-4641-F	
A1BR37	069B-0082	7	RESISTOR 464 1% .125W F TC=0+-100	24546	CA-1/B-TD-4640-F	
A1BR38	069B-0083	8	RESISTOR 1.96K 1% .125W F TC=0+-100	24546	CA-1/B-TD-1961-F	
A1BR39	0757-0442	9	RESISTOR 10K 1% .125W F TC=0+-100	24546	CA-1/B-TD-1002-F	
A1BR40	2100-2574	3	RESISTOR-TRMR 500 10% C SIDE-ADJ 1-TRM	30983	ET50X501	
A1BR41	069B-3258	5	RESISTOR 5.36K 1% .125W F TC=0+-100	24546	CA-1/B-TD-5361-F	
A1BR42	069B-0083	8	RESISTOR 1.96K 1% .125W F TC=0+-100	24546	CA-1/B-TD-1961-F	
A1BR43	0757-0442	9	RESISTOR 10K 1% .125W F TC=0+-100	24546	CA-1/B-TD-1002-F	
A1BR44	2100-2633	5	RESISTOR-TRMR 1M 10% C SIDE-ADJ 1-TRM	30983	ET50X102	
A1BR45	0757-0290	5	RESISTOR 6.19K 1% .125W F TC=0+-100	19701	MFAC1/B-TD-6191-F	
A1BR46	0757-0399	5	RESISTOR 82.5 1% .125W F TC=0+-100	24546	CA-1/B-TD-82R5-F	
A1BR47	0757-0400	9	RESISTOR 90.9 1% .125W F TC=0+-100	24546	CA-1/B-TD-90R9-F	
A1BR48	0757-0399	5	RESISTOR 82.5 1% .125W F TC=0+-100	24546	CA-1/B-TD-82R5-F	
A1BR49	069B-0083	8	RESISTOR 1.96K 1% .125W F TC=0+-100	24546	CA-1/B-TD-1961-F	
A1BR50	0757-0442	9	RESISTOR 10K 1% .125W F TC=0+-100	24546	CA-1/B-TD-1002-F	
A1BR51	2100-2633	5	RESISTOR-TRMR 1M 10% C SIDE-ADJ 1-TRM	30983	ET50X102	
A1BR52	0757-0440	7	RESISTOR 7.5K 1% .125W F TC=0+-100	24546	CA-1/B-TD-7501-F	
A1BR53	069B-0083	8	RESISTOR 1.96K 1% .125W F TC=0+-100	24546	CA-1/B-TD-1961-F	
A1BR54	0757-0442	9	RESISTOR 10K 1% .125W F TC=0+-100	24546	CA-1/B-TD-1002-F	
A1BR55	2100-2521	0	RESISTOR-TRMR 2K 10% C SIDE-ADJ 1-TRM	30983	ET50X202	
A1BR56	0757-0280	1	RESISTOR 9.09K 1% .125W F TC=0+-100	19701	MFAC1/B-TD-9091-F	
A1BR57	0757-0394	0	RESISTOR 51.1 1% .125W F TC=0+-100	24546	CA-1/B-TD-51R1-F	
A1BR58	069B-3151	7	RESISTOR 2.87K 1% .125W F TC=0+-100	24546	CA-1/B-TD-2871-F	
A1BR59	069B-3151	7	RESISTOR 2.87K 1% .125W F TC=0+-100	24546	CA-1/B-TD-2871-F	
A1BR60	069B-0083	8	RESISTOR 1.96K 1% .125W F TC=0+-100	24546	CA-1/B-TD-1961-F	
A1BR61	0757-0442	9	RESISTOR 10K 1% .125W F TC=0+-100	24546	CA-1/B-TD-1002-F	
A1BR62	2100-2521	0	RESISTOR-TRMR 2K 10% C SIDE-ADJ 1-TRM	30983	ET50X202	
A1BR63	0757-0444	1	RESISTOR 12.1K 1% .125W F TC=0+-100	24546	CA-1/B-TD-1212-F	
A1BR64	069B-3445	2	RESISTOR 348 1% .125W F TC=0+-100	24546	CA-1/B-TD-348R-F	
A1BR65	0757-0416	7	RESISTOR 511 1% .125W F TC=0+-100	24546	CA-1/B-TD-511R-F	
A1BR66	069B-0083	8	RESISTOR 1.96K 1% .125W F TC=0+-100	24546	CA-1/B-TD-1961-F	
A1BR67	0757-0442	9	RESISTOR 10K 1% .125W F TC=0+-100	24546	CA-1/B-TD-1002-F	
A1BR68	2100-2489	9	RESISTOR-TRMR 5K 10% C SIDE-ADJ 1-TRM	30983	ET50X502	
A1BR69	069B-3136	8	RESISTOR 17.8K 1% .125W F TC=0+-100	24546	CA-1/B-TD-1782-F	
A1BR70	0757-0441	8	RESISTOR 8.25K 1% .125W F TC=0+-100	24546	CA-1/B-TD-8251-F	
A1BR71	0757-0279	0	RESISTOR 3.16K 1% .125W F TC=0+-100	24546	CA-1/B-TD-3161-F	
A1BR72	069B-0083	8	RESISTOR 1.96K 1% .125W F TC=0+-100	24546	CA-1/B-TD-1961-F	
A1BR73	0757-0442	9	RESISTOR 10K 1% .125W F TC=0+-100	24546	CA-1/B-TD-1002-F	
A1BR74	2100-2522	1	RESISTOR-TRMR 10K 10% C SIDE-ADJ 1-TRM	30983	ET50X103	
A1BR75	0757-0123	3	RESISTOR 34.8K 1% .125W F TC=0+-100	28480	0757-0123	

See Introduction to this section for ordering information
 *Indicates factory selected value

Table 6-3. Replaceable Parts

Reference Designation	HP Part Number	C D	Qty	Description	Mfr Code	Mfr Part Number
A1BR76	0757-0420	3		RESISTOR 750 1% .125W F TC=0+-100	24546	CA-1/8-TD-751-F
A1BR77	0698-3442	9		RESISTOR 237 1% .125W F TC=0+-100	24546	CA-1/8-TD-237R-F
A1BR78	0698-0085	0		RESISTOR 2.61K 1% .125W F TC=0+-100	24546	CA-1/8-TD-2611-F
A1BR79	0698-3442	9		RESISTOR 237 1% .125W F TC=0+-100	24546	CA-1/8-TD-237R-F
A1BR80	0757-0280	1		RESISTOR 9.09K 1% .125W F TC=0+-100	19701	MFAC1/8-TD-9091-F
A1BR81	0698-0082	7		RESISTOR 464 1% .125W F TC=0+-100	24546	CA-1/8-TD-4640-F
A1BR82	0698-0085	0		RESISTOR 2.61K 1% .125W F TC=0+-100	24546	CA-1/8-TD-2611-F
A1BR83	0698-0082	7		RESISTOR 464 1% .125W F TC=0+-100	24546	CA-1/8-TD-4640-F
A1BR84	0698-3440	7		RESISTOR 196 1% .125W F TC=0+-100	24546	CA-1/8-TD-196R-F
A1BR85	0698-3441	8		RESISTOR 215 1% .125W F TC=0+-100	24546	CA-1/8-TD-215R-F
A1BR86	0757-0280	3		RESISTOR 1K 1% .125W F TC=0+-100	24546	CA-1/8-TD-1001-F
A1BR87	0757-0401	0		RESISTOR 100 1% .125W F TC=0+-100	24546	CA-1/8-TD-101-F
A1BU1	1820-0054	5		IC GATE TTL NAND QUAD 2-INP	01295	6N7400M
A1BU2	1820-0054	5		IC GATE TTL NAND QUAD 2-INP	01295	6N7400M
A1BU3	1820-0214	9	1	IC DCDR TTL BCD-TO-DEC 4-TO-10-LINE	01295	6N7442AN
A19	08660-60017	5	1	BOARD ASSY, 5L1 OSCILLATOR	28480	08660-60017
A19C1	0180-0049	9		CAPACITOR-FXD 20UF+75-10% 50VDC AL	56289	30D206C050CC2
A19C2	0180-0058	0		CAPACITOR-FXD 50UF+75-10% 25VDC AL	56289	30D506C025CC2
A19C3	0150-0121	5		CAPACITOR-FXD .1UF +80-20% 50VDC CER	28480	0150-0121
A19C4	0180-0220	6		CAPACITOR-FXD 220UF+-10% 15VDC TA	56289	150D226X9015P2
A19C5	0160-0943	2		CAPACITOR-FXD 910PF +-5% 100VDC MICA	28480	0160-0943
A19C6	0150-0121	5		CAPACITOR-FXD .1UF +80-20% 50VDC CER	28480	0150-0121
A19C7	0180-2214	4		CAPACITOR-FXD 90UF+75-10% 16VDC AL	56289	30D906C016CC2
A19C8	0160-0174	9		CAPACITOR-FXD .47UF +80-20% 25VDC CER	28480	0160-0174
A19C9	0160-2055	9		CAPACITOR-FXD .01UF +80-20% 100VDC CER	28480	0160-2055
A19C10	0160-0161	4	2	CAPACITOR-FXD .01UF +-10% 200VDC POLYE	28480	0160-0161
A19C11	0160-2220	0	1	CAPACITOR-FXD 1200PF +-5% 300VDC MICA	28480	0160-2220
A19C12	0160-0161	4		CAPACITOR-FXD .01UF +-10% 200VDC POLYE	28480	0160-0161
A19C13	0160-0386	5		CAPACITOR-FXD 3.3PF +- .25PF 500VDC CER	28480	0160-0386
A19C14	0170-0882	9	2	CAPACITOR-FXD .01UF +-20% 50VDC POLYE	84411	601PE1030R5W1
A19C15	0180-0049	9		CAPACITOR-FXD 20UF+75-10% 50VDC AL	56289	30D206C050CC2
A19C16	0180-0183	2		CAPACITOR-FXD 10UF+75-10% 50VDC AL	56289	30D106C050CC2
A19C17	0170-0082	7		CAPACITOR-FXD .01UF +-20% 50VDC POLYE	84411	601PE1030R5W1
A19C18	0121-0059	9		CAPACITOR-V TRMR-CER 2-BPF 350V PC-MTC	52763	304324 2/BPF NPD
A19C19	0160-2204	0		CAPACITOR-FXD 100PF +-5% 300VDC MICA	28480	0160-2204
A19C20	0160-0386	5		CAPACITOR-FXD 3.3PF +- .25PF 500VDC CER	28480	0160-0386
A19C21	0160-0386	5		CAPACITOR-FXD 3.3PF +- .25PF 500VDC CER	28480	0160-0386
A19C22	0160-2055	9		CAPACITOR-FXD .01UF +80-20% 100VDC CER	28480	0160-2055
A19C23	0160-2055	9		CAPACITOR-FXD .01UF +80-20% 100VDC CER	28480	0160-2055
A19C24	0160-2055	9		CAPACITOR-FXD .01UF +80-20% 100VDC CER	28480	0160-2055
A19C25	0160-2055	9		CAPACITOR-FXD .01UF +80-20% 100VDC CER	28480	0160-2055
A19C26	0160-2055	9		CAPACITOR-FXD .01UF +80-20% 100VDC CER	28480	0160-2055
A19C27	0160-2055	9		CAPACITOR-FXD .01UF +80-20% 100VDC CER	28480	0160-2055
A19C28	0160-2055	9		CAPACITOR-FXD .01UF +80-20% 100VDC CER	28480	0160-2055
A19C29	0160-2055	9		CAPACITOR-FXD .01UF +80-20% 100VDC CER	28480	0160-2055
A19C30	0160-2055	9		CAPACITOR-FXD .01UF +80-20% 100VDC CER	28480	0160-2055
A19C31	0160-2055	9		CAPACITOR-FXD .01UF +80-20% 100VDC CER	28480	0160-2055
A19C32	0140-0195	2	1	CAPACITOR-FXD 33PF +-5% 300VDC MICA	72136	DM25F131J0300WV1CR
A19C33	0160-2055	9		CAPACITOR-FXD .1F +80-20% 100VDC CER	28480	0160-2055
A19C34	0160-2200	0	1	CAPACITOR-FXD 700PF +-5% 300VDC MICA	28480	0160-2200
A19C35	0160-2200	0	1	CAPACITOR-FXD 43PF +-5% 300VDC MICA	28480	0160-2200
A19C36	0180-0229	7		CAPACITOR-FXD 33UF+-10% 10VDC TA	56289	150D336X9010P2
A19C37	0160-0157	8	1	CAPACITOR-FXD 4700PF +-10% 200VDC POLYE	28480	0160-0157
A19C38	0160-0164	7	1	CAPACITOR-FXD .039UF +-10% 200VDC POLYE	28480	0160-0164
A19C39	0160-2204	0		CAPACITOR-FXD 100PF +-5% 300VDC MICA	28480	0160-2204
A19CR1	1901-0040	1		DIODE-SWITCHING 30V 50MA 2MS DD-35	28480	1901-0040
A19CR2	1901-0040	1		DIODE-SWITCHING 30V 50MA 2MS DD-35	28480	1901-0040
A19CR3	1901-0040	1		DIODE-SWITCHING 30V 50MA 2MS DD-35	28480	1901-0040
A19CR4	1901-0040	1		DIODE-SWITCHING 30V 50MA 2MS DD-35	28480	1901-0040
A19CR5	1901-0040	1		DIODE-SWITCHING 30V 50MA 2MS DD-35	28480	1901-0040
A19CR6	1901-0040	1		DIODE-SWITCHING 30V 50MA 2MS DD-35	28480	1901-0040
A19CR7	1901-0040	1		DIODE-SWITCHING 30V 50MA 2MS DD-35	28480	1901-0040
A19CR8	1901-0040	1		DIODE-SWITCHING 30V 50MA 2MS DD-35	28480	1901-0040
A19CR9	1901-0040	1		DIODE-SWITCHING 30V 50MA 2MS DD-35	28480	1901-0040
A19CR10	1901-0040	1		DIODE-SWITCHING 30V 50MA 2MS DD-35	28480	1901-0040
A19CR11	1901-0040	1		DIODE-SWITCHING 30V 50MA 2MS DD-35	28480	1901-0040
A19CR12	0122-0264	8		DIODE-VVC 1N5148A 47PF 5% C4/C6D-MIN+3.2	04713	1N5148A
A19CR13	0122-0264	6		DIODE-VVC 1N5147A 39PF 5% C4/C6D-MIN+3.2	04713	1N5147A
A19CR14	1901-0040	1		DIODE-SWITCHING 30V 50MA 2MS DD-35	28480	1901-0040
A19CR15	1901-0040	1		DIODE-SWITCHING 30V 50MA 2MS DD-35	28480	1901-0040
A19CR16	1901-0040	1		DIODE-SWITCHING 30V 50MA 2MS DD-35	28480	1901-0040

See introduction to this section for ordering information
 *Indicates factory selected value
 †BACKDATING INFORMATION IN SECTION VI)

Table 6-3. Replaceable Parts

Reference Designation	HP Part Number	C D	Qty	Description	Mfr Code	Mfr Part Number
A19L1	9100-1629	4	1	INDUCTOR RF-CH-MLD 47UH 5% .166DX.3B5LC	28480	9100-1629
A19L2	9100-2562	4		INDUCTOR RF-CH-MLD 100UH 10%	28480	9100-2562
A19L3	9100-1629	4		INDUCTOR RF-CH-MLD 47UH 5% .166DX.3B5LC	28480	9100-1629
A19L4	9100-1629	4		INDUCTOR RF-CH-MLD 47UH 5% .166DX.3B5LC	28480	9100-1629
A19L5	9100-2572	8		INDUCTOR RF-CH-MLD 820UH 10%	28480	9100-2572
A19L6†	08660-80025	7	2	COIL-650MH	28480	08660-80025
A19L7	9140-0179	1		INDUCTOR RF-CH-MLD 22UH 10% .166DX.3B5LC	28480	9140-0179
A19L8	9140-0179	1		INDUCTOR RF-CH-MLD 22UH 10% .166DX.3B5LC	28480	9140-0179
A19L9	9100-1611	4		INDUCTOR RF-CH-MLD 220NH 20%	28480	9100-1611
A19L10	9100-1611	4		INDUCTOR RF-CH-MLD 220NH 20%	28480	9100-1611
A19Q1	1854-0092	2	1	TRANSISTOR NPN 6I PD=200MW FT=600MHZ	28480	1854-0092
A19Q2	1854-0092	2		TRANSISTOR NPN 6I PD=200MW FT=600MHZ	28480	1854-0092
A19Q3	1854-0092	2		TRANSISTOR NPN 6I PD=200MW FT=600MHZ	28480	1854-0092
A19Q4	1855-0081	1		TRANSISTOR J-FET N-CHAN D-MODE 6I	28480	1855-0081
A19Q5	1854-0345	8		TRANSISTOR NPN 2N5179 6I TO-72 PD=200MW	04713	2N5179
A19Q6	1853-0451	5	1	TRANSISTOR PNP 2N3799 6I TO-18 PD=360MW	01295	2N3799
A19Q7	1853-0451	5		TRANSISTOR PNP 2N3799 6I TO-18 PD=360MW	01295	2N3799
A19Q8	1854-0092	2		TRANSISTOR NPN 6I PD=200MW FT=600MHZ	28480	1854-0092
A19Q9	1854-0092	2		TRANSISTOR NPN 6I PD=200MW FT=600MHZ	28480	1854-0092
A19Q10	1854-0022	8		TRANSISTOR NPN 6I TO-39 PD=700MW	07263	617843
A19R1	0698-3132	4	1	RESISTOR 261 1% .125W F TC=0+-100	24546	C4-1/B-T0-2610-F
A19R2	0698-3442	9		RESISTOR 237 1% .125W F TC=0+-100	24546	C4-1/B-T0-237R-F
A19R3	2100-1760	7		RESISTOR-TMR 5K 5% MW SIDE-ADJ 1-TRN	28480	2100-1760
A19R4	0757-0458	7		RESISTOR 51.1K 1% .125W F TC=0+-100	24546	C4-1/B-T0-5112-F
A19R5	0698-3437	2		RESISTOR 133 1% .125W F TC=0+-100	24546	C4-1/B-T0-133R-F
A19R6	0757-0460	1		RESISTOR 61.9K 1% .125W F TC=0+-100	24546	C4-1/B-T0-6192-F
A19R7				NOT ASSIGNED		
A19R8	0757-0461	2		RESISTOR 68.1K 1% .125W F TC=0+-100	24546	C4-1/B-T0-6812-F
A19R9	2100-1759	4		RESISTOR-TMR 2K 5% MW SIDE-ADJ 1-TRN	28480	2100-1759
A19R10	0757-0439	4		RESISTOR 6.01K 1% .125W F TC=0+-100	24546	C4-1/B-T0-6011-F
A19R11	0757-0200	7		RESISTOR 5.62K 1% .125W F TC=0+-100	24546	C4-1/B-T0-5621-F
A19R12	0757-0405	4		RESISTOR 162 1% .125W F TC=0+-100	24546	C4-1/B-T0-162R-F
A19R13	0757-0464	5		RESISTOR 90.9K 1% .125W F TC=0+-100	24546	C4-1/B-T0-9092-F
A19R14	0757-0442	9		RESISTOR 10K 1% .125W F TC=0+-100	24546	C4-1/B-T0-1002-F
A19R15	0698-3439	4		RESISTOR 178 1% .125W F TC=0+-100	24546	C4-1/B-T0-178R-F
A19R16	0757-0467	8	RESISTOR 121K 1% .125W F TC=0+-100	24546	C4-1/B-T0-1213-F	
A19R17	0698-3440	7	RESISTOR 196 1% .125W F TC=0+-100	24546	C4-1/B-T0-196R-F	
A19R18	0757-0466	7	RESISTOR 110K 1% .125W F TC=0+-100	24546	C4-1/B-T0-1103-F	
A19R19	0757-0834	3	RESISTOR 5.62K 1% .5W F TC=0+-100	28480	0757-0834	
A19R20	0698-3132	4	RESISTOR 261 1% .125W F TC=0+-100	24546	C4-1/B-T0-2610-F	
A19R21	0698-3243	8	RESISTOR 178K 1% .125W F TC=0+-100	24546	C4-1/B-T0-1783-F	
A19R22	0698-3443	8	RESISTOR 287 1% .125W F TC=0+-100	24546	C4-1/B-T0-287R-F	
A19R23	0757-0441	8	RESISTOR 8.25K 1% .125W F TC=0+-100	24546	C4-1/B-T0-8251-F	
A19R24	0698-3440	7	RESISTOR 196 1% .125W F TC=0+-100	24546	C4-1/B-T0-196R-F	
A19R25	0698-3243	8	RESISTOR 178K 1% .125W F TC=0+-100	24546	C4-1/B-T0-1783-F	
A19R26	0698-3445	2	RESISTOR 348 1% .125W F TC=0+-100	24546	C4-1/B-T0-348R-F	
A19R27	0757-0279	8	RESISTOR 3.16K 1% .125W F TC=0+-100	24546	C4-1/B-T0-3161-F	
A19R28	0698-3266	5	RESISTOR 237K 1% .125W F TC=0+-100	24546	C4-1/B-T0-2373-F	
A19R29	0757-0442	9	RESISTOR 10K 1% .125W F TC=0+-100	24546	C4-1/B-T0-1002-F	
A19R30	0698-3447	4	RESISTOR 422 1% .125W F TC=0+-100	24546	C4-1/B-T0-422R-F	
A19R31	0698-3266	5	RESISTOR 237K 1% .125W F TC=0+-100	24546	C4-1/B-T0-2373-F	
A19R32	0698-0082	7	RESISTOR 464 1% .125W F TC=0+-100	24546	C4-1/B-T0-4640-F	
A19R33	0757-0444	1	RESISTOR 12.1K 1% .125W F TC=0+-100	24546	C4-1/B-T0-1212-F	
A19R34	0698-3459	8	RESISTOR 393K 1% .125W F TC=0+-100	28480	0698-3459	
A19R35	0698-3162	8	RESISTOR 46.4K 1% .125W F TC=0+-100	24546	C4-1/B-T0-4642-F	
A19R36	0698-3157	3	1	RESISTOR 19.6K 1% .125W F TC=0+-100	24546	C4-1/B-T0-1962-F
A19R37	0757-0288	1		RESISTOR 9.09K 1% .125W F TC=0+-100	19701	MFAC1/B-T0-9091-F
A19R38	0698-3155	1		RESISTOR 4.64K 1% .125W F TC=0+-100	24546	C4-1/B-T0-4641-F
A19R39	0757-0317	7		RESISTOR 1.33K 1% .125W F TC=0+-100	24546	C4-1/B-T0-1331-F
A19R40	0757-0442	9		RESISTOR 10K 1% .125W F TC=0+-100	24546	C4-1/B-T0-1002-F
A19R41	0683-0245	9	RESISTOR 820K 5% .25W FC TC=-800/+900	01121	CR8245	
A19R42	0698-3243	8	RESISTOR 178K 1% .125W F TC=0+-100	24546	C4-1/B-T0-1783-F	
A19R43	0698-3446	3	RESISTOR 393 1% .125W F TC=0+-100	24546	C4-1/B-T0-393R-F	
A19R44	0698-0082	7	RESISTOR 464 1% .125W F TC=0+-100	24546	C4-1/B-T0-4640-F	
A19R45	0757-0200	7	RESISTOR 5.62K 1% .125W F TC=0+-100	24546	C4-1/B-T0-5621-F	
A19R46	0698-3154	0	RESISTOR 4.22K 1% .125W F TC=0+-100	24546	C4-1/B-T0-4221-F	
A19R47	0698-3441	8	RESISTOR 215 1% .125W F TC=0+-100	24546	C4-1/B-T0-215R-F	
A19R48	0698-3444	1	RESISTOR 316 1% .125W F TC=0+-100	24546	C4-1/B-T0-316R-F	
A19R49	0757-0401	0	RESISTOR 100 1% .125W F TC=0+-100	24546	C4-1/B-T0-101-F	
A19R50	0698-3440	7	RESISTOR 196 1% .125W F TC=0+-100	24546	C4-1/B-T0-196R-F	
A19R51	0757-0200	7	RESISTOR 5.62K 1% .125W F TC=0+-100	24546	C4-1/B-T0-5621-F	
A19R52	0698-3154	0	RESISTOR 4.22K 1% .125W F TC=0+-100	24546	C4-1/B-T0-4221-F	
A19R53	0757-0200	7	RESISTOR 5.62K 1% .125W F TC=0+-100	24546	C4-1/B-T0-5621-F	
A19R54	0698-3154	0	RESISTOR 4.22K 1% .125W F TC=0+-100	24546	C4-1/B-T0-4221-F	
A19R55*	0757-0280	3	14	RESISTOR 1K 1% .125W F TC=0+-100	24546	C4-1/B-T0-1001-F

See introduction to this section for ordering information
 *Indicates factory selected value
 †BACKDATING INFORMATION IN SECTION VII

Table 6-3. Replaceable Parts

Reference Designation	HP Part Number	C D	Qty	Description	Mfr Code	Mfr. Part Number
A19R56	069B-3447	4		RESISTOR 422 1% .125W F TC=0+-100	24546	CA-1/B-T0-422R-F
A19R57	069B-3447	4		RESISTOR 422 1% .125W F TC=0+-100	24546	CA-1/B-T0-422R-F
A19R58	069B-0082	7		RESISTOR 464 1% .125W F TC=0+-100	24546	CA-1/B-T0-464R-F
A19R59	069B-3444	1		RESISTOR 316 1% .125W F TC=0+-100	24546	CA-1/B-T0-316R-F
A19R60	069B-0082	7		RESISTOR 464 1% .125W F TC=0+-100	24546	CA-1/B-T0-464R-F
A19R61	069B-0082	7		RESISTOR 464 1% .125W F TC=0+-100	24546	CA-1/B-T0-464R-F
A19R62	069B-0082	7		RESISTOR 464 1% .125W F TC=0+-100	24546	CA-1/B-T0-464R-F
A19R63	0757-0180	2	1	RESISTOR 31.6 1% .125W F TC=0+-100	2B480	0757-0180
A19R64	0757-0401	0		RESISTOR 100 1% .125W F TC=0+-100	24546	CA-1/B-T0-101-F
A19R65	069B-3443	0		RESISTOR 287 1% .125W F TC=0+-100	24546	CA-1/B-T0-287R-F
A19R66	0757-0294	9	1	RESISTOR 17.8 1% .125W F TC=0+-100	19701	MFAC1/B-T0-178R-F
A19R67	069B-3443	0		RESISTOR 287 1% .125W F TC=0+-100	24546	CA-1/B-T0-287R-F
A19R68	0757-0289	2		RESISTOR 13.3K 1% .125W F TC=0+-100	19701	MFAC1/B-T0-1332-F
A19R69	0757-0274	5		RESISTOR 1.21K 1% .125W F TC=0+-100	24546	CA-1/B-T0-1211-F
A19R70	0757-0401	0		RESISTOR 100 1% .125W F TC=0+-100	24546	CA-1/B-T0-101-F
A19R71	069B-3153	9		RESISTOR 3.83K 1% .125W F TC=0+-100	24546	CA-1/B-T0-3831-F
A19R72	0757-0401	0		RESISTOR 100 1% .125W F TC=0+-100	24546	CA-1/B-T0-101-F
A20†	08660-60364	5	1	RECTIFIER ASSEMBLY (INCLUDES ALL A20 PARTS EXCEPT C1,C2,C3,K1,K2 AND MISCELLANEOUS PARTS NOT PERMANENTLY ATTACHED TO THE CIRCUIT BOARD)	2B480	08660-60364
A20	08660-60335	0	1	RECTIFIER ASSEMBLY (INCLUDES CR2 AND CR3)	2B480	08660-60335
A20C1	0180-2330	7	1	CAPACITOR-FXD 3900UF+75-10% 50VDC AL	2B480	0180-2330
A20C2	0180-2397	4	1	CAPACITOR-FXD 0.18F+75-10% 25VDC AL	56289	36D183C025P2B
A20C3	0180-2369	0	1	CAPACITOR-FXD 3600UF+75-10% 40VDC AL	00853	500362U040B2B
A20C4	0180-2486	2	2	CAPACITOR-FXD 470UF+-20% 30VDC TA	06801	6VF6801
A20C5	0180-2486	2	2	CAPACITOR-FXD 470UF+-20% 30VDC TA	06001	6VF6001
A20C6	0180-2334	9	1	CAPACITOR-FXD 3900UF+75-10% 75VDC AL	56289	3AD392F075B82B
A20C7	0180-2154	1	1	CAPACITOR-FXD 1900UF+75-10% 15VDC AL	56289	39D196G015GL2-P5B
A20C8	0180-0058	0	1	CAPACITOR-FXD 50UF+75-10% 25VDC AL	56289	30D506G025C2
A20C9	0180-0229	7		CAPACITOR-FXD 33UF+-10% 10VDC TA	56289	150D33X9010B2
A20C10	0180-0228	6		CAPACITOR-FXD 22UF+-10% 15VDC TA	56289	150D22X9015F2
A20C11	0180-0049	9		CAPACITOR-FXD 20UF+75-10% 50VDC AL	56289	30D206G050C2
A20CR1				NOT ASSIGNED		
A20CR2				NOT ASSIGNED		
A20CR3				NOT ASSIGNED		
A20CR4	1901-0638	3	3	DIODE-FW BRDC 100V 4A	04713	MDA-970-2
	1251-2772	1	8	CONNECTOR-SGL CONT 6KT .052-IN-BSC-52	2B480	1251-2772
A20CR5†	1901-0638	3		DIODE-FW BRDC 100V 4A	04713	MDA-970-2
A20CR6	1901-0638	3		DIODE-FW BRDC 100V 4A	04713	MDA-970-2
	1251-2772	1		CONNECTOR-SGL CONT 6KT .052-IN-BSC-52	2B480	1251-2772
A20CR7	188A-0024	3	1	THYRISTOR-SCR VRRM=200	2B480	16B4-0024
A20CR8†	1901-0050	3	1	DIODE-SWITCHING 80V 200MA 2HS DO-35	2B480	1901-0050
A20F1	2110-0323	9	1	FUSE 10A 32V NTD 1.25X.25	75915	311010
	2110-0269	0	2	FUSEHOLDER-CLIP TYPE,25D-FUSE	2B480	2110-0269
A20F2	2110-0332	8	7	FUSE 3A 125V .25X.27	2B480	2110-0332
A20F3	2110-0332	8		FUSE 3A 125V .25X.27	2B480	2110-0332
A20F4	2110-0332	8		FUSE 3A 125V .25X.27	2B480	2110-0332
A20F5	2110-0332	8		FUSE 3A 125V .25X.27	2B480	2110-0332
A20F6	2110-0332	8		FUSE 3A 125V .25X.27	2B480	2110-0332
A20F7	2110-0332	8		FUSE 3A 125V .25X.27	2B480	2110-0332
A20F8	2110-0332	8		FUSE 3A 125V .25X.27	2B480	2110-0332
A20K1†	0490-0559	3	2	RELAY 4C 24VDC-COIL 7.5A 115VAC	2B480	0490-0559
	0490-0861	0	2	RELAY RETAINER 65T	2B480	0490-0861
	0490-0907	5	2	SOCKET-RLY 15-CONT DIP-6LDR	2B480	0490-0907
A20K2†	0490-0559	3		RELAY 4C 24VDC-COIL 7.5A 115VAC	2B480	0490-0559
	0490-0861	0		RELAY RETAINER 65T	2B480	0490-0861
	0490-0907	5		SOCKET-RLY 15-CONT DIP-6LDR	2B480	0490-0907
A20MP1	1251-2313	6	14	CONNECTOR-SGL CONT 6KT .04-IN-BSC-52 RND (PART OF A20FP THRU,FB) 2 EACH	2B480	1251-2313
A20R1	0757-0442	9		RESISTOR 10K 1% .125W F TC=0+-100	24546	CA-1/B-T0-1002-F
A20R2	0757-0442	9		RESISTOR 10K 1% .125W F TC=0+-100	24546	CA-1/B-T0-1002-F
A20R3	0757-0442	9		RESISTOR 10K 1% .125W F TC=0+-100	24546	CA-1/B-T0-1002-F
A20R4	0757-0442	9		RESISTOR 10K 1% .125W F TC=0+-100	24546	CA-1/B-T0-1002-F
A20R5	0757-0442	9		RESISTOR 10K 1% .125W F TC=0+-100	24546	CA-1/B-T0-1002-F
A20R6	0757-0442	9		RESISTOR 10K 1% .125W F TC=0+-100	24546	CA-1/B-T0-1002-F
A20R7†	0757-0795	5	1	RESISTOR 75 1% .5W F TC=0+-100	19701	MF-1/2-T0-75N0-F
A20R8	0757-0442	9		RESISTOR 10K 1% .125W F TC=0+-100	24546	CA-1/B-T0-1002-F
A20XA5	1251-1626	2	1	CONNECTOR-PC EDGE 12-CONT/ROW 2-ROWS	2B480	1251-1626
				A20 MISCELLANEOUS		

See introduction to this section for ordering information

*Indicates factory selected value

† BACKDATING INFORMATION IN SECTION VII

Table 6-3. Replaceable Parts

Reference Designation	HP Part Number	C D	Qty	Description	Mfr Code	Mfr Part Number
	0360-0007	1	1	TERMINAL-BLDR LUG PL-MTC FDR-010-6CR	2B480	0360-0007
	0360-0009	3	1	TERMINAL-BLDR LUG PL-MTC FDR-06-6CR	2B480	0360-0009
	1251-0600	8	1	CONNECTOR-SGL CONT PIN 1.14-MM-BGC-BZ 5Q	2B480	1251-0600
	4040-0554	9	1	COVER, CAPACITOR	2B480	4040-0554
A21	0960-0151	8	1	OSCILLATOR-CRYSTAL 10 MHZ; STABILITY (EXCEPT OPT'S 001 AND 002)	2B480	0960-0151
A21	0960-0150	7	1	OSCILLATOR-CRYSTAL 10 MHZ; STABILITY (OPT 001 ONLY) (DMIT A2; ASSY FOR OPT 002)	2B480	0960-0150
A22†	08660-60320	3	1	SWITCH ASSY, REFERENCE	2B480	08660-60320
	08660-20051	3	1	HOUSING, REF. SWITCH	2B480	08660-20051
A22C1	0160-2437	1	5	CAPACITOR-FDTHRU 5000PF +80 -20% 200V	2B480	0160-2437
A22C2				NOT ASSIGNED		
A22C3	0160-2437	1	1	CAPACITOR-FDTHRU 5000PF +80 -20% 200V	2B480	0160-2437
A22C4	0160-2437	1	1	CAPACITOR-FDTHRU 5000PF +80 -20% 200V	2B480	0160-2437
A22C5	0160-2437	1	1	CAPACITOR-FDTHRU 5000PF +80 -20% 200V	2B480	0160-2437
A22C6	0160-2437	1	1	CAPACITOR-FDTHRU 5000PF +80 -20% 200V	2B480	0160-2437
A22J1	1250-0901	2	3	CONNECTOR-RF 5MB M SGL-HOLE-FR 50-OHM	2B480	1250-0901
A22J2	1250-0901	2	2	CONNECTOR-RF 5MB M SGL-HOLE-FR 50-OHM	2B480	1250-0901
A22J3				NOT ASSIGNED		
A22J4	1250-0901	2	2	CONNECTOR-RF 5MB M SGL-HOLE-FR 50-OHM	2B480	1250-0901
A22A1	08660-60323	6	1	10 MHZ FILTER ASSEMBLY	2B480	08660-60323
	08660-60319	8	1	10 MHZ FILTER BOARD ASSEMBLY (INCLUDES ALL A22A1 PARTS EXCEPT W1, Y1, AND 1200-0173)	2B480	08660-60319
A22A1C1	0160-0575	4	6	CAPACITOR-FXD .047UF +-20% 50VDC CER	2B480	0160-0575
A22A1C2	0160-2264	2	1	CAPACITOR-FXD 20PF +-5% 500VDC CER 0+-30	2B480	0160-2264
A22A1C3	0121-0446	6	1	CAPACITOR-V TRMR-CER 4.5-20PF 160V	2B480	0121-0446
A22A1C4	0160-0575	4	4	CAPACITOR-FXD .047UF +-20% 50VDC CER	2B480	0160-0575
A22A1C5	0160-0575	4	4	CAPACITOR-FXD .047UF +-20% 50VDC CER	2B480	0160-0575
A22A1C6	0180-2207	5		CAPACITOR-FXD 100UF+-10% 10VDC TA	56289	150D107X9010R2
A22A1C7	0160-0575	4		CAPACITOR-FXD .047UF +-20% 50VDC CER	2B480	0160-0575
A22A1C8	0160-0575	4		CAPACITOR-FXD .047UF +-20% 50VDC CER	2B480	0160-0575
A22A1C9	0160-0575	4		CAPACITOR-FXD .047UF +-20% 50VDC CER	2B480	0160-0575
A22A1K1	0490-0916	6	6	RELAY-REED 1A 500MA 100VDC 5VDC-COIL	2B480	0490-0916
A22A1K2	0490-0916	6	6	RELAY-REED 1A 500MA 100VDC 5VDC-COIL	2B480	0490-0916
A22A1K3	0490-0916	6	6	RELAY-REED 1A 500MA 100VDC 5VDC-COIL	2B480	0490-0916
A22A1L1	9100-1629	4		INDUCTOR RF-CH-MLD 47UH 5% .166DX.385LG	2B480	9100-1629
A22A1L2	9140-0237	2	1	INDUCTOR RF-CH-MLD 20UH 5% .166DX.385LG	2B480	9140-0237
A22A1Q1	1854-0019	3	2	TRANSISTOR NPN 61 10-18 PD=360MW	2B480	1854-0019
A22A1Q2	1854-0019	3	3	TRANSISTOR NPN 61 10-18 PD=360MW	2B480	1854-0019
A22A1R1	0698-3438	3	1	RESISTOR 147 1% .125W F TC=0+-100	24546	CA-1/B-T0-147R-F
A22A1R2	2100-3053	5	1	RESISTOR-TRMR 20 20% C 6IDE-ADJ 17-TRM	02111	43P200
A22A1R3	0757-0200	3	3	RESISTOR 1K 1% .125W F TC=0+-100	24546	CA-1/B-T0-1001-F
A22A1R4	0757-0317	7	7	RESISTOR 1.33K 1% .125W F TC=0+-100	24546	CA-1/B-T0-1331-F
A22A1R5	0757-0401	8	8	RESISTOR 100 1% .125W F TC=0+-100	24546	CA-1/B-T0-101-F
A22A1R6	2100-2010	2	1	RESISTOR-TRMR 10 20% C TOP-ADJ 1-TRM	7313B	02PR10
A22A1R7	0757-0401	8		RESISTOR 100 1% .125W F TC=0+-100	24546	CA-1/B-T0-101-F
A22A1R8	0757-0317	7		RESISTOR 1.33K 1% .125W F TC=0+-100	24546	CA-1/B-T0-1331-F
A22A1R9	0757-0200	3		RESISTOR 1K 1% .125W F TC=0+-100	24546	CA-1/B-T0-1001-F
A22A1W1	08660-60083	5	1	CABLE ASSEMBLY, CDAX, GRAY	2B480	08660-60083
A22A1Y1	0410-0423	2	1	CRYSTAL-QUARTZ 10.000 MHZ	2B480	0410-0423
A22A1Z1	9170-0029	3	2	CORE-SHIELDING BEAD	2B480	9170-0029
A22A1Z2	9170-0029	3	3	CORE-SHIELDING BEAD	2B480	9170-0029
				A22A1 MISCELLANEOUS		
	1200-0173	5	1	INSULATOR-XETR DAP-CL	2B480	1200-0173
	1251-2194	1	3	CONNECTOR-SGL CONT EXT .021-IN-BGC-BZ	2B480	1251-2194
A22A2	08660-60026	6	1	BOARD ASSY, REFERENCE AMPLIFIER SWITCH	2B480	08660-60026
A22A2C1	0160-2055	9		CAPACITOR-FXD .01UF +80-20% 100VDC CER	2B480	0160-2055
A22A2C2	0160-2055	9		CAPACITOR-FXD .01UF +80-20% 100VDC CER	2B480	0160-2055
A22A2C3	0160-2055	9		CAPACITOR-FXD .01UF +80-20% 100VDC CER	2B480	0160-2055
A22A2C4	0160-2055	9		CAPACITOR-FXD .01UF +80-20% 100VDC CER	2B480	0160-2055
A22A2C5	0160-2055	9		CAPACITOR-FXD .01UF +80-20% 100VDC CER	2B480	0160-2055
A22A2C6	0180-0291	3		CAPACITOR-FXD 1UF+-10% 35VDC TA	56289	150D105X9035A2
A22A2C7	0180-0291	3		CAPACITOR-FXD 1UF+-10% 35VDC TA	56289	150D105X9035A2
A22A2C8	0160-2055	9		CAPACITOR-FXD .01UF +80-20% 100VDC CER	2B480	0160-2055
A22A2C9	0160-2055	9		CAPACITOR-FXD .01UF +80-20% 100VDC CER	2B480	0160-2055

See introduction to this section for ordering information
 *Indicates factory selected value
 †BACKDATING INFORMATION IN SECTION VII

Table 6-3. Replaceable Parts

Reference Designation	HP Part Number	C D	Qty	Description	Mfr Code	Mfr Part Number
A22A2CR1	1901-0040	1		DIODE-SWITCHING 30V 50MA 2N5 00-35	2B480	1901-0040
A22A2CR2	1901-0040	1		DIODE-SWITCHING 30V 50MA 2N5 00-35	2B480	1901-0040
A22A2K1	0490-0916	6		RELAY-REED 1A 500MA 100VDC 5VDC-COIL	2B480	0490-0916
A22A2K2	0490-0916	6		RELAY-REED 1A 500MA 100VDC 5VDC-COIL	2B480	0490-0916
A22A2K3	0490-0916	6		RELAY-REED 1A 500MA 100VDC 5VDC-COIL	2B480	0490-0916
A22A2L1	9140-0119	8	1	INDUCTOR RF-CH-MLD 500UH 5% .20X.45LG	2B480	9140-0119
A22A2L2	9140-0144	8	1	INDUCTOR RF-CH-MLF 4.7UH 10% .105DX.26LG	2B480	9140-0144
A22A2Q1	1854-0071	7	2	TRANSISTOR NPN B PD=300MW FT=200MHZ	2B480	1854-0071
A22A2Q2	1854-0071	7	2	TRANSISTOR NPN F1 PD=300MW FT=200MHZ	2B480	1854-0071
A22A2Q3	1853-0020	4	1	TRANSISTOR PNP A1 PD=300MW FT=150MHZ	2B480	1853-0020
A22A2R1	0698-7227	6	1	RESISTOR 422 1% .05W F TC=0+-100	24546	C3-1/8-T0-422R-G
A22A2R2	0698-7222	1	2	RESISTOR 261 1% .05W F TC=0+-100	24546	C3-1/8-T0-261R-G
A22A2R3	0698-7240	3	1	RESISTOR 1.47K 1% .05W F TC=0+-100	24546	C3-1/8-T0-1471-G
A22A2R4	0698-7248	1	1	RESISTOR 3.16K 1% .05W F TC=0+-100	24546	C3-1/8-T0-3161-G
A22A2R5	0698-7222	1	1	RESISTOR 261 1% .05W F TC=0+-100	24546	C3-1/8-T0-261R-G
A22A2R6	0698-7212	9	1	RESISTOR 100 1% .05W F TC=0+-100	24546	C3-1/8-T0-100R-G
A22A2R7	0698-7229	8	1	RESISTOR 511 1% .05W F TC=0+-100	24546	C3-1/8-T0-511R-G
A22A2R8	0698-7188	8	2	RESISTOR 10 1% .05W F TC=0+-100	24546	C3-1/8-T00-10R-G
A22A2R9	0698-7188	8	8	RESISTOR 10 1% .05W F TC=0+-100	24546	C3-1/8-T00-10R-G
A23	08660-60041	0	1	WIRING HARNESS, MAIN	2B480	08660-60044
A23J3				NOT ASSIGNED		
A23J3	1251-0085	5	1	CONNECTOR 36-PIN F MICRO RIBBON	2B480	1251-0085
A23J3	1251-1908	3	1	CONTACT-COMM U/W-RECT MALE CRP	2B480	1251-1908
A23J3	1251-0545	2	1	COAX ASSEMBLY MALE FOR RECT SERIES; USED	2B480	1251-0545
A23J4	1251-2663	9	1	CONNECTOR-PC EDGE 18-CONT/RDM 2-RDWS	2B480	1251-2663
A23J4	1251-0544	1	2	CONNECTOR 42-PIN M RECTANGULAR	2B480	1251-0544
A23J5	1251-0544	1	1	CONNECTOR 42-PIN M RECTANGULAR	2B480	1251-0544
A23J6	1251-0547	4	1	CONNECTOR 66-PIN M RECTANGULAR	2B480	1251-0547
A23J7	1251-1017	5	1	CONNECTOR 4-PIN WINCH JF	2B480	1251-1017
				MISCELLANEOUS A23.		
	08660-20052	4	1	PIN, GUIDE	2B480	08660-20052
A24				NOT ASSIGNED		
A25†	08660-60350	9	1	+30V REGULATOR ASSEMBLY	2B480	08660-60350
A25C1	0160-4084	P	1	CAPACITOR-FX2 .1UF +-20% 50VDC CEP	2B480	0160-4084
A25CR1	1902-0644	3	1	DIODE-ZNR 1N53629 30V 5% PD=5W TC=+29MU	2B480	1902-0644
A25Q1†	1854-0766	7	1	TRANSISTOR NPN 2N428 51 TO-66 PD=40W	04713	2N5428
	1205-0085	8	1	HEAT SINK TO-66-CB	2B480	1205-0085
	0340-0162	7	1	INSULATOR, TRANSISTOR, ALUMINUM	2B480	0340-0162
A25R1	0757-0794	4	1	RESISTOR 60.1 1% .5W F TC=0+-100	2B480	0757-0794
A25R2	0757-0198	2	1	RESISTOR 100 1% .5W F TC=0+-100	2B480	0757-0198
				A25 MISCELLANEOUS		
	0380-0111	0	1	STANDOFF-RVT-OM .25-IN-LG 6-32THD	00000	ORDER BY DESCRIPTION
	2190-0006	1	1	WASHER-LK HLCL NO. 6 .141-IN-ID	2B480	2190-0006
	2360-0119	8	1	SCREW-MACH 6-32 .438-IN-LG PAN-HD-POZI	00000	ORDER BY DESCRIPTION
	2420-0003	7	1	NUT-HEX-DBL-CHAM 6-32-THD .094-IN-THK	00000	ORDER BY DESCRIPTION

See introduction to this section for ordering information
 *Indicates factory selected value
 †BACKDATING INFORMATION IN SECTION VII

Table 6-3. Replaceable Parts

Reference Designation	HP Part Number	C D	Qty	Description	Mfr Code	Mfr Part Number
CHASSIS PARTS						
CR1†	1901-1001	6	1	DIODE-CT-RECT 30V 10A (PART OF T1)	28480	1901-1001
CR2†	1906-0065	0	2	DIODE-FW BRDG 100V 10A	28480	1906-0065
CR3†	1906-0065	0		DIODE-FW BRDG 100V 10A	28480	1906-0065
F1				PART OF A7 (PRIMARY FUSE)		
F1				PART OF A20		
F2				PART OF A20		
F3				PART OF A20		
F4				PART OF A20		
F5				PART OF A20		
L1†	9170-0499	1	1	CORE-TOROID AL=2135-MH/T	28480	9170-0499
S1	3101-1235	4	1	SWITCH-3L DPDT STD 1.5A 125VAC 6LDR-LUG (INT/EXT REFERENCE SWITCH)	28480	3101-1235
T1†	9100-3543	5	1	TRANSFORMER-POWER 100/120/220/240V (INCLUDES CR1)	28480	9100-3543
W1	08660-60061	9	2	CABLE ASSY, WHITE	28480	08660-60061
W2	08660-60062	0	1	CABLE ASSEMBLY, WHITE	28480	08660-60062
W3	08660-60054	0	1	CABLE ASSEMBLY, WHITE	28480	08660-60054
W4	08660-60046	0	1	CABLE ASSY, INTERFACE	28480	08660-60046
W5	08660-60065	3	1	CABLE ASSY, ORANGE	28480	08660-60065
W6	08660-60326	9	1	CABLE ASSY 100MHZ, BAND PASS FILTER, INPUT	28480	08660-60326
W7	08660-60059	4	1	CABLE ASSY, WHITE/RED	28480	08660-60059
W8	08660-60057	3	1	CABLE ASSY, WHITE/GREEN	28480	08660-60057
W9	08660-60071	1	1	CABLE ASSY, WHITE/BROWN	28480	08660-60071
W10	08660-60052	8	1	CABLE ASSY, RED	28480	08660-60052
W11	08660-60053	9	1	CABLE ASSY, BROWN	28480	08660-60053
W12	08660-60075	5	1	CABLE ASSY, GREEN	28480	08660-60075
W13	08660-60067	5	1	CABLE ASSY, WHITE/RED	28480	08660-60067
W14	08660-60066	4	1	CABLE ASSY, WHITE/BLUE	28480	08660-60066
W15	08660-60059	5	1	CABLE ASSY, WHITE/YELLOW	28480	08660-60059
W16	08660-60081	3	1	CABLE ASSY, WHITE/RED	28480	08660-60081
W17	08660-60074	4	1	CABLE ASSY, WHITE/BROWN	28480	08660-60074
W18	08660-60072	2	1	CABLE ASSY, WHITE/DRANGE	28480	08660-60072
W19	08660-60073	3	1	CABLE ASSY, WHITE/YELLOW	28480	08660-60073
W20	11661-60026	4	1	CABLE ASSY, BLUE/GRAY	28480	11661-60026
W21	11661-60028	6	1	CABLE ASSEMBLY, GRAY	28480	11661-60028
W22	08660-60061	9	1	CABLE ASSEMBLY, WHITE	28480	08660-60061
W23	08660-60060	8	1	CABLE ASSY, WHITE/DRANGE	28480	08660-60060
W24	08660-60093	7	1	CABLE ASSY	28480	08660-60093
W25	08660-60094	8	1	CABLE ASSY	28480	08660-60094
W26	08660-60095	9	1	CABLE ASSY	28480	08660-60095
W27	08660-60175	6	1	CABLE, VIDLET	28480	08660-60175
MISCELLANEOUS PARTS						
	0300-0643	3	1	STANDOFF-HEX .255-IN-LG 6-32THD	02000	ORDER BY DESCRIPTION 0120-1378
	0120-1378	1	1	CABLE ASSY 18AWG 3-CNDCT JCK-JKT	28480	ORDER BY DESCRIPTION 0150-0082
	0960-0411	3	3	CONDUCTOR ASSEMBLY, PLUG-IN JUMPER	00000	
	0150-0082	5	6	WIRE 18AWG R 600V PVC 19X30 10SC	28480	
	08660-00003	3	1	SUPPORT, 66-PIN CONNECTOR	28480	08660-00003
	08660-00004	4	1	SUPPORT, 42 PIN CONNECTOR	28480	08660-00004
	08660-00005	5	1	BRACKET, LEFT INTERFACE	28480	08660-00005
	08660-20167	2	1	BRACKET, INTERFACE, RIGHT	28480	08660-20167
	08660-00007	7	1	SUPPORT, REFERENCE OSCILLATOR	28480	08660-00007
	08660-00027	1	1	SUPPORT, LOOP BOX, REAR	28480	08660-00027
	08660-20207	1	1	BRACKET, P/O SUPPORT LOOP BOX	28480	08660-20207
	08660-00029	3	1	BRACKET, L.P. BOX, LT 6D	28480	08660-00029
	08660-00030	6	1	COVER, 6L1 OSCILLATOR	28480	08660-00030
	08660-00031	7	1	COVER, 6L1 PHASE DETECTOR	28480	08660-00031
	08660-00032	8	1	COVER, N1	28480	08660-00032
	08660-00050	8	1	CASKET, 6L1-N1	28480	08660-00050
	08660-00033	9	1	COVER, N2 (EXCEPT OPT 004)	28480	08660-00033
	08660-00034	0	1	COVER, N3 (EXCEPT OPT 004)	28480	08660-00034
	08660-00035	1	1	COVER, 6L2 (OPT 004)	28480	08660-00035
	08660-00036	2	1	SUPPORT, H.F. LOW PASS BOX	28480	08660-00036
	08660-00037	3	1	COVER, COTTON 1.3GHZ MOD.	28480	08660-00037
	08660-00038	4	1	LATCH, H.F. LOW PASS BOX	28480	08660-00038
	08660-00041	9	1	COVER, WIRING HARNESS	28480	08660-00041
	08660-00042	0	1	COVER, N2A (OPT 004)	28480	08660-00042

See Introduction to this section for ordering information.
 †Indicates factory selected value.
 †BACKSLASHING INFORMATION IN SECTION VII

Table 6-3. Replaceable Parts

Reference Designation	HP Part Number	C D	Qty	Description	Mfr Code	Mfr Part Number
	08660-00043	1	1	COVER, COUPLING BOARD (OPT 004)	28480	08660-00043
	08660-00044	2	1	COVER, SLA M (OPT 004)	28480	08660-00044
	08660-20040	0	1	SHARD, P.C. (OPT 004)	28480	08660-20040
	08660-20050	2	1	HEAT SINK	28480	08660-20050
	08660-20175	2	1	PC BOARD SUPPORT	28480	08660-20175
	08660-00100	1	4	DAMPING PAD, FOAM	28480	08660-00100
	08660-00085	1	1	PLATE, OSCILLATOR, TOP	28480	08660-00085
	08660-00086	2	1	PLATE, OSCILLATOR, BOTTOM	28480	08660-00086
	08660-20052	4	2	PIN, LATCH	28480	08660-20052
	08660-20054	6	2	PIN, PIVOT	28480	08660-20054
	08660-20055	7	1	SCREW, SHOULDER	28480	08660-20055
	08660-20056	8	2	END PLATE, L P 80X	28480	08660-20056
	08660-20062	6	11	EXTRACTOR, SHIELD	28480	08660-20062
	08660-20170	7	1	HEAT SINK, .75 X .18"	28480	08660-20170
	08660-20183	2	1	HEAT SINK, .75 X .35"	28480	08660-20183
	08660-60080	2	1	CABLE ASSY, GRAY	28480	08660-60080
	08660-60083	5	1	CABLE ASSY, GRAY	28480	08660-60083
	1251-0084	4	1	CONNECTOR 36-PIN M MICRO RIBBON	28480	1251-0084
	1250-0780	5	1	ADAPTER-EOAY F-BNC M-M	28480	1250-0780
	5020-7623	6	1	BRACKET 17H L.H. RACK MOUNT	28480	5020-7623
	5020-7624	7	1	BRACKET 17H R.H. RACK MOUNT	28480	5020-7624
	5060-0256	1	1	EXT. BOARD ASSY: 20 CONTACT	28480	5060-0256
	5060-0258	3	1	EXT. BOARD ASSY: 24 CONTACT	28480	5060-0258
	5060-0277	6	1	EXT. BOARD ASSY: 18 PIN	28480	5060-0277
	05580-2042	1	1	STRIP, FILLER	28480	05580-2042
	08660-00065	7	1	CRK, PAC	28480	08660-00065
	08660-20168	3	1	HEAT SINK, .62 X .75"	28480	08660-20168
	08660-20169	4	1	HEAT SINK, .75 X .38"	28480	08660-20169
	08660-20203	7	1	PLATE, OSCILLATOR, BOTTOM	28480	08660-20203
	5060-0276	5	2	EXT. BOARD ASSY: 15 PIN	28480	5060-0276

See Introduction to this section for ordering information
 *Indicates factory selected value

Table 6-3. Replaceable Parts

Reference Designation	HP Part Number	C D	Qty	Description	Mfr Code	Mfr Part Number
CABINET PARTS						
1	08660-00024	B	2	COVER, SIDE	28480	08660-00024
2	2360-0198	3	8	SCREW-MACH 6-32 .430-IN-LG 190 DEG	00000	ORDER BY DESCRIPTION
3	08660-00026	0	1	COVER, TOP	28480	08660-00026
4	08660-00001	1	1	PANEL, REAR	28480	08660-00001
5	2510-0099	2	4	SCREW-MACH 8-32 .25-IN-LG PAN-HD-PDZI	00000	ORDER BY DESCRIPTION
6	5060-0222	1	2	HANDLE ASSY:5H SIDE	28480	5060-0222
7	08660-20057	9	2	GUIDE, MODULE PLUG IN	28480	08660-20057
8	08660-20058	0	2	GUIDE, RF PLUG-IN	28480	08660-20058
9	08660-20061	5	1	FRAME, FRONT	28480	08660-20061
10	08660-20076	2	2	FRAME, SIDE	28480	08660-20076
11	2360-0190	5	12	SCREW-MACH 6-32 .188-IN-LG 100 DEG	00000	ORDER BY DESCRIPTION
12	2200-0164	5	8	SCREW-MACH 4-40 .188-IN-LG UNCT 82 DEG	00000	ORDER BY DESCRIPTION
13	5060-0767	9	5	FOOT ASSY:FM	28480	5060-0767
14	1490-0030	6	1	TILT STAND 3-IN-W 13.75-IN-DA-LG 6GT	28480	1490-0030
15	2510-0050	5	8	SCREW-MACH 8-32 .5-IN-LG 82 DEG	00000	ORDER BY DESCRIPTION
16	2360-0111	0	8	SCREW-MACH 6-32 .188-IN-LG PAN-HD-PDZI	00000	ORDER BY DESCRIPTION
17	5060-0735	7	2	RETAINER HANDLE ASSY:OLIVE GRAY(STD)	28480	5060-0735
18	2510-0101	7	4	SCREW-MACH 8-32 .312-IN-LG PAN-HD-PDZI	00000	ORDER BY DESCRIPTION
19	08660-60347	4	1	MIT, RACK MOUNT	28480	08660-60347
20	08660-00025	9	1	COVER, BOTTOM	28480	08660-00025
	08660-20172	9	2	FOOT, EXTRUDED, REAR	28480	08660-20172
21	5000-0052	9	2	PLATE,FLUTED ALUMINUM	28480	5000-0052

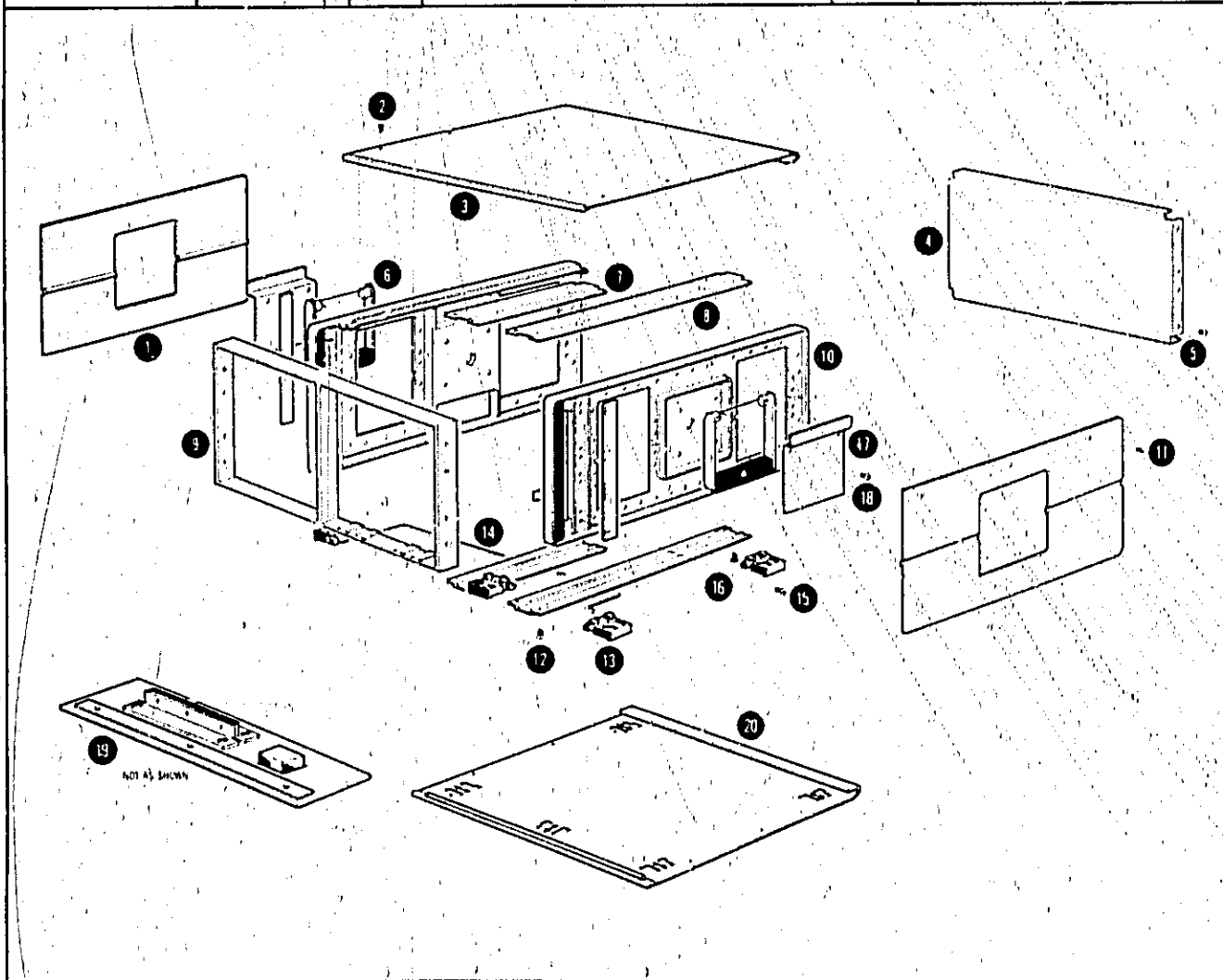


Figure 6-1. Cabinet Parts

Table 6-3. Replaceable Parts

Reference Designation	HP Part Number	C D	Qty	Description	Mfr Code	Mfr Part Number
				DCU FRONT PANEL PARTS		
1	0370-1131	5	1	KNOB-CONC-PTR-AND-BAR 1/2 JCK .125-IN-ID	28480	0370-1131
2	0370-2193	1	1	KNOB-BASE-SKT 1/2 JCK .25-IN-ID	28480	0370-2193
3	2950-0043	8	4	NUT-HEX-DBL-CHAM 3/8-32-THD .094-IN-THK	00000	ORDER BY DESCRIPTION
4	1250-0118	3	1	CONNECTOR-RF BNC FEM 6CL-HOLE-FR 50-OHM	28480	1250-0118
5	0370-2194	2	1	KNOB-BASE-CONC-SKT 1/2 JCK .25-IN-ID	28480	0370-2194
6	0370-1303	3	1	KNOB-BASE 1-1/8 JCK .25-IN-ID	28480	0370-1303
7	08660-20101	4	1	FRONT PANEL FRAME	28480	08660-20101
8	2190-0016	3	2	WASHER-LK INTL T 3/8 IN .377-IN-ID	28480	2190-0016
9	08660-60115	4	1	SWITCH ASSY, MANUAL MODE (A16)	28480	08660-60115
10	5060-0329	9	1	TUNER ASSY, MANUAL MODE (A17)	28480	5060-0329
11	08660-20154	7	1	RETAINER	28480	08660-20154
12	0520-0129	8	3	SCREW-MACH 2-56 .312-IN-LG PAN-HD-POZI	00000	ORDER BY DESCRIPTION
13	08660-60113	2	1	SWITCH ASSY, KEYBOARD (A1A15)	28480	08660-60113
14	08660-20153	6	1	RETAINER, BRACKET	28480	08660-20153
15	9100-3354	6	1	COIL-FXD 4MH @ 0.5A14V;800HZ;0.4 OHM	28480	9100-3354
16	2200-0185	4	2	SCREW-MACH 4-40 .312-IN-LG PAN-HD-POZI	00000	ORDER BY DESCRIPTION
17	2200-0141	8	4	SCREW-MACH 4-40 .312-IN-LG PAN-HD-POZI	00000	ORDER BY DESCRIPTION
18	2190-0019	6	4	WASHER-LK HCL NO. 4 .115-IN-ID	28480	2190-0019
19	3050-0023	7	1	WASHER-FL NH NO. 6 .144-IN-ID .25-IN-OD	28480	3050-0023
20	3050-0016	8	3	WASHER-FL NTL NO. 6 .147-IN-ID	28480	3050-0016
21	08660-60111	0	1	BOARD ASSY, NUMERAL READOUT (A1A12)	28480	08660-60111
22	0520-0174	2	2	SCREW-MACH 2-56 .25-IN-LG PAN-HD-POZI	00000	ORDER BY DESCRIPTION
23	3101-1655	3	1	SWITCH-RXR SUBMIN SPDT 5A 115VAC/DC PC	28480	3101-1655
24	08660-60114	3	1	SWITCH ASSY, SWEEP MODE (A15)	28480	08660-60114
25	08660-40107	2	1	SINGLE SWEEP PUSHBUTTON	28480	08660-40107
26	0360-1190	5	1	TERMINAL-GLDR LUG PL-NTC FOR-03/D-6CR	28480	0360-1190
27	08660-00106	4	1	FRONT PANEL, LEFT SIDE	28480	08660-00106
28	08660-20177	7	1	WINDOW, FRONT	28480	08660-20177
29	08660-00102	3	1	FRONT PANEL, RIGHT SIDE	28480	08660-00102
30	08660-40004	0	1	ANNUNCIATOR BLOCK	28480	08660-40004
31	08660-60159	6	1	ANNUNCIATOR CIRCUIT BOARD	28480	08660-60159
32	0510-1149	3	1	RETAINER-PUSH ON KB-TD-SHFT EXT	28480	0510-1149
33	2140-0356	9	1	LAMP-INCAND 7683 5VDC 60MA T-1-BULB	1F556	7683
34	08660-40108	3	1	PUSHBUTTON, READOUT	28480	08660-40108

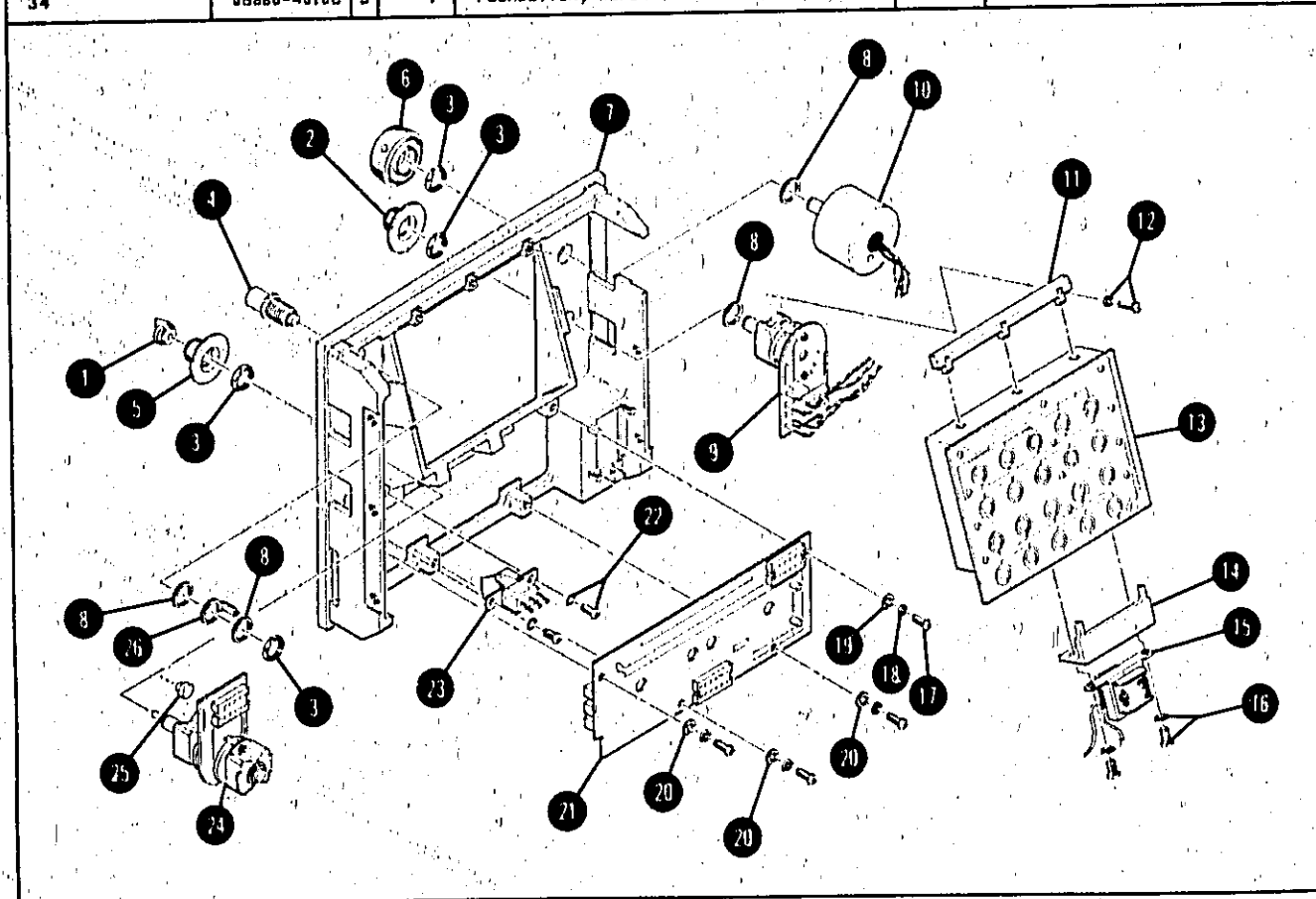


Figure 6-2. DCU Front Panel Parts

Table 6-4. Code List of Manufacturers

Mfr Code	Manufacturer Name	Address	Zip Code
00007	GTE SYLVANIA MINIATURE LT PROD	HILLSBORD NH	03244
00000	ANY SATISFACTORY SUPPLIER		
00853	SANGAMO ELEC CO S CAROLINA DIV	PICKENS SC	29671
01121	ALLEN-BRADLEY CO	MILWAUKEE WI	53204
01281	TRW INC SEMICONDUCTOR DIV	LANSDALE CA	90260
01295	TEXAS INSTR INC SEMICONDUCTOR DIV	DALLAS TX	75222
0148C	MADI CO THE	HEMLO PARK CA	94025
0192B	RCA CORP SOLID STATE DI	BOMERVILLE NJ	08876
02111	SPECTROL ELECTRONICS CORP	CITY OF IND CA	91745
02660	BUNKER RAND CORP AMPHENOL CONN DIV	BROADVILLE IL	60153
03308	GE CO SEMICONDUCTOR PROD DEPT	SYRACUSE NY	13201
03888	KDI PYROFILM CORP	WHIPPANY NJ	07981
04713	MOTOROLA SEMICONDUCTOR PRODUCTS	PHOENIX AZ	85062
06001	GE CO ELEK CAP & BAT PROD DEPT	IRMO SC	29063
06665	PRECISION MONOLITHICS INC	SANTA CLARA CA	95050
07263	FAIRCHILD SEMICONDUCTOR DIV	MOUNTAIN VIEW CA	94042
07322	MINNESOTA RUBBER CO	MINNEAPOLIS MN	55416
1F556	PRECISION LAMP INC	MOUNTAIN VIEW CA	94040
18324	SIGNETICS CORP	SUNNYVALE CA	94086
19701	MEPCO/ELECTRA CORP	MINERAL WELLS TX	76067
24046	TRANSITRON ELECTRONIC CORP	WAKEFIELD MA	01880
24546	CORNING GLASS WORKS (BRADFORD)	BRADFORD PA	16701
27814	NATIONAL SEMICONDUCTOR CORP	SANTA CLARA CA	95051
28490	HEWLETT-PACKARD CO CORPORATE HQ	PALO ALTO CA	94304
30983	MEPCO/ELECTRA CORP	SAN DIEGO CA	92121
32997	BOURNS INC TRIMPOT PROD DIV	RIVERSIDE CA	92507
51642	CENTRE ENGINEERING INC	STATE COLLEGE PA	16801
52763	STETTNER-TRUSH INC	CAZENOVIA NY	13035
56289	SPRAGUE ELECTRIC CO	NORTH ADAMS MA	01247
72136	ELECTRO MOTIVE CORP SUB IEC	WILLIMANTIC CT	06226
73138	BECKMAN INSTRUMENTS INC HELIPOT DIV	FULLERTON CA	92634
74970	JOHNSON E F CO	WALECA MN	56093
75042	TRW INC PHILADELPHIA DIV	PHILADELPHIA PA	19108
75915	LITTELFUSE INC	DES PLAINES IL	60016
84411	TRW CAPACITOR DIV	OGALLALA NE	69133
91637	DALE ELECTRONICS INC	COLUMBUS NE	68601

**BACK DATING
MANUAL
CHANGES**

SECTION VII MANUAL CHANGES

7-1. INTRODUCTION

7-2. This section contains manual change instructions for backdating this manual for HP Model 8660C Synthesized Signal Generators that have serial number prefixes that are lower than the prefix listed on the title page. This section also contains instrument modification suggestions and procedures that are recommended to improve the performance and reliability of the generator.

7-3. MANUAL CHANGES

7-4. To adapt this manual to your instrument, re-

fer to Table 7-1 and make all of the manual changes listed opposite your serial number. Perform these changes in the sequence listed. Table 7-2 is a summary of changes by component.

7-5. If your instrument serial number is not listed on the title page of this manual or in Table 7-1 below, it may be documented in a yellow MANUAL CHANGES supplement. For additional important information about serial number coverage refer to INSTRUMENTS COVERED BY MANUAL in Section I.

Table 7-1. Manual Changes by Serial Number

Serial Prefix	Make Manual Changes	Serial Prefix	Make Manual Changes
1416A	AC through A	1709A	AC through P
1504A	AC through B	1722A	AC through Q
1508A	AC through C	1723A	AC through R
1520A	AC through D	1730A	AC through S
1538A	AC through E	1748A	AC through T
1542A	AC through F	1806A	AC through U
1548A	AC through G	1810A	AC through V
1615A	AC through H	1815A	AC through W
1629A	AC through I	1818A	AC through X
1633A	AC through J	1842A	AC through Y
1636A	AC through K	1846A	AC through Z
1638A	AC through L	1850A	AC through AA
1643A	AC through M	1932A	AC, AB
1702A	AC through N	1947A	AC
1707A	AC through O		

Table 7-2. Summary of Changes by Component (1 of 2)

Change	A1	A3	A4	A5	A6	A17	A19	A20	A22	A25	No Prefix
A									Partial Parts List		
B								K1, K2, R7			
C			J11, J14, W6, A8								
D				Q1, Q3, Q5, R10, U3	R1, A1CR1, A1R8, A1R9, A1Q3, Q6, Q9			Parts List Assy Part No.			CR1,2,3, T1
E			A4C10								
F			A6C6	C7, 14, 19	A3K1, A3R1, A1C6, C9						
G			A2R11								
H	A11C2, C3	A1J3					C16				
I		A1 Assy Part No.									
J		A1 Assy Part No.									
K							C14,17	CR8			
L	A8C4										
M										Parts List Assy Part No.	
N			A5C16, C22, L10								
O	A8C4, A8U2, A8R3, R31, R32										
P		A1 Assy Part No.									
Q	A1R25										
R	A14 Assy Part No.										

Table 7-2. Summary of Changes by Component (2 of 2)

Change	A1	A3	A4	A5	A8	A11	A12	A13	A17	A18	A19	A20	No Prefix
S				C12									
T													Accessory Kit
U	A3R11												
V					Q8- Q11	Q7- Q14, Q16- Q20	Q8- Q11	Q5- Q8, Q13- Q16	Q11- Q14, Q16- Q19	Q5- Q13, Q16, Q17, Q19- Q24			
W												Assy Part No. CR5	L1
X	C2	A1 Assy Part No. A2 Assy Part No.											
Y	A5C7												
Z			A5FL2										
AA					L5	L8		L5	L6		L6		
AB		A2 A2S1											
AC			A2R42, A3C16, C17, CR2										

MANUAL CHANGES

7-6. MANUAL CHANGE INSTRUCTIONS

CHANGE A

Page 6-52, Table 6-3:

Change the parts list for the A22 Assembly as shown by the following information and the table.

Add A22C2 0160-2437 CAPACITOR FXD 5000 pF +80-20% 200 WVDC CER.

Add A22J3 1250-0901 CONNECTOR-RF SMB M SGL HOLE FR.

Page 8-95, Figure 8-18, Service Sheet 2:

Change the diagram as shown on the partial schematic below.

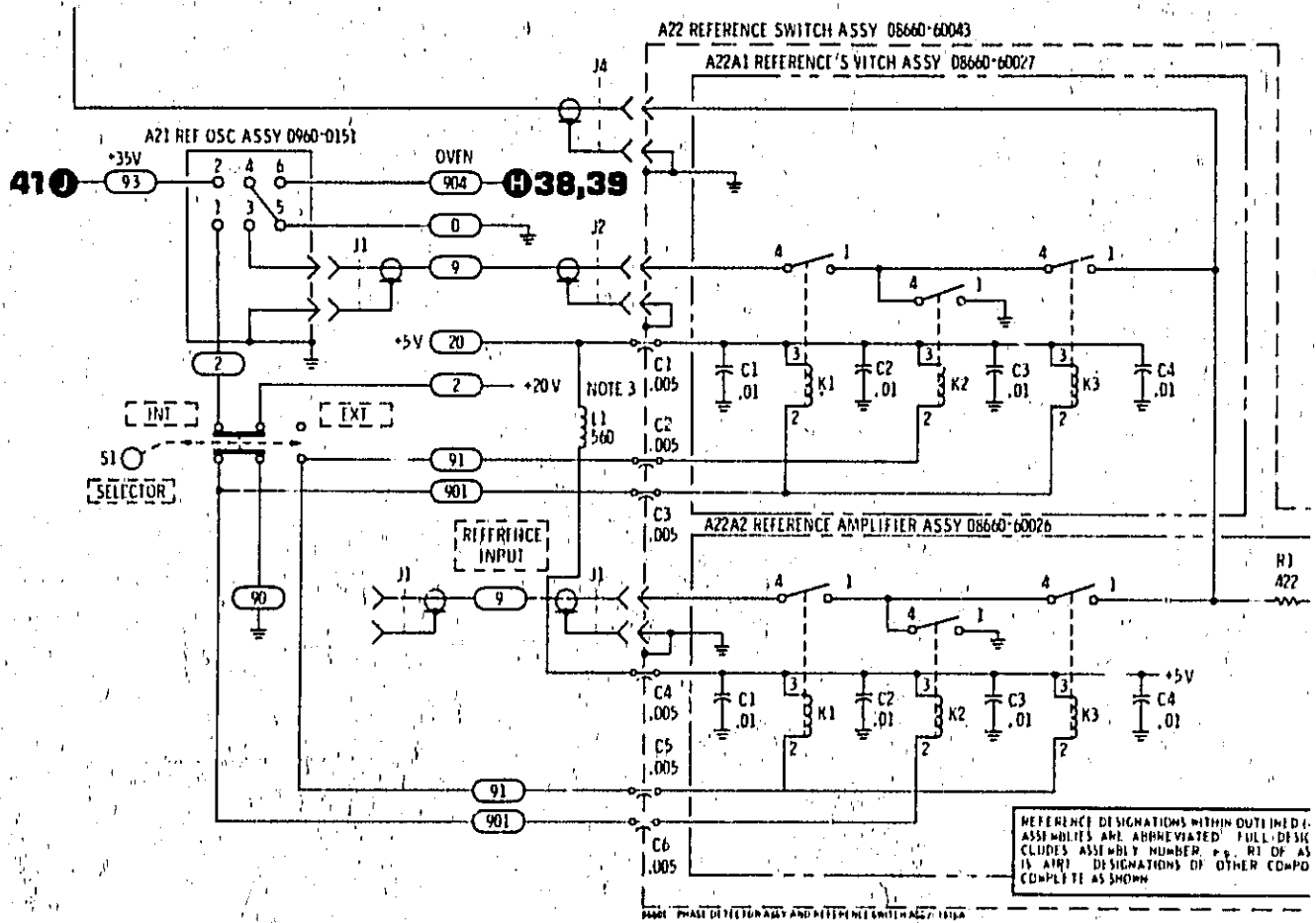


Figure 7-1. Reference Circuit Schematic Backdating (Partial Diagram, Part of Change A)

MANUAL CHANGES

CHANGE A (Cont'd)

Table 7-3. Replaceable Parts Backdating (Part of Change A)

Reference Designation	HP Part Number	Qty	Description	Mfr Code	Mfr Part Number
A2Z	08660-60053 08660-20051	1 1	SWITCH ASSY, REFERENCE HOUSING, PFF, SWITCH	28480 28480	08660-60053 08660-20051
A2ZC1	0160-2437		CAPACITOR-FXD 5000PF +80-20% 200WVDC CFP	28480	0160-2437
A2ZC2	0160-2437		CAPACITOR-FXD 5000PF +80-20% 200WVDC CFP	28480	0160-2437
A2ZC3	0160-2437		CAPACITOR-FXD 5000PF +80-20% 200WVDC CFP	28480	0160-2437
A2ZC4	0160-2437		CAPACITOR-FXD 5000PF +80-20% 200WVDC CFP	28480	0160-2437
A2ZC5	0160-2437		CAPACITOR-FXD 5000PF +80-20% 200WVDC CFP	28480	0160-2437
A2ZC6	0160-2437		CAPACITOR-FXD 5000PF +80-20% 200WVDC CFP	28480	0160-2437
A2ZJ1	1250-0901		CONNECTOR-REF 5MM M 5GL HOLE FR	28497	700166
A2ZJ2	1250-0901		CONNECTOR-REF 5MM M 5GL HOLE FR	28497	700166
A2ZJ3	1250-0901		CONNECTOR-REF 5MM M 5GL HOLE FR	28497	700166
A2ZJ4	1250-0901		CONNECTOR-REF 5MM M 5GL HOLE FR	28497	700166
A2ZL1	9100-1648	1	COIL FXD: MOLDED RE CHOKE; 560UH 5% COIL FXD: MOLDED RE CHOKE; 5.7UH 10%	24226 24226	197503 107471
A2ZA1	08660-60027	1	BOARD ASSY, REFERENCE SWITCH	28480	08660-60027
A2ZA1C1	0160-2055		CAPACITOR-FXD .01UF +80-20% 100WVDC CFP	28480	0160-2055
A2ZA1C2	0160-2055		CAPACITOR-FXD .01UF +80-20% 100WVDC CFP	28480	0160-2055
A2ZA1C3	0160-2055		CAPACITOR-FXD .01UF +80-20% 100WVDC CFP	28480	0160-2055
A2ZA1C4	0160-2055		CAPACITOR-FXD .01UF +80-20% 100WVDC CFP	28480	0160-2055
A2ZAK1	0490-0916	6	RELAY: FEED; 1A .5A 50V CONT; 5V COIL	28480	0490-0916
A2ZAK2	0490-0916		RELAY: FEED; 1A .5A 50V CONT; 5V COIL	28480	0490-0916
A2ZAK3	0490-0916		RELAY: FEED; 1A .5A 50V CONT; 5V COIL	28480	0490-0916
A2ZA2	08660-60026	1	BOARD ASSY, REFERENCE AMPLIFIER SWITCH	28480	08660-60026
A2ZAC1	0160-2055		CAPACITOR-FXD .01UF +80-20% 100WVDC CFP	28480	0160-2055
A2ZAC2	0160-2055		CAPACITOR-FXD .01UF +80-20% 100WVDC CFP	28480	0160-2055
A2ZAC3	0160-2055		CAPACITOR-FXD .01UF +80-20% 100WVDC CFP	28480	0160-2055
A2ZAC4	0160-2055		CAPACITOR-FXD .01UF +80-20% 100WVDC CFP	28480	0160-2055
A2ZAC5	0160-2055		CAPACITOR-FXD .01UF +80-20% 100WVDC CFP	28480	0160-2055
A2ZAC6	0180-0291		CAPACITOR-FXD: 1UF +-10% 35VDC 1A-SOL ID	56289	1500105X7015F2
A2ZAC7	0180-0291		CAPACITOR-FXD: 1UF +-10% 35VDC 1A-SOL ID	56289	1500105X7015F2
A2ZAC8	0160-2055		CAPACITOR-FXD .01UF +80-20% 100WVDC CFP	28480	0160-2055
A2ZAC9	0160-2055		CAPACITOR-FXD .01UF +80-20% 100WVDC CFP	28480	0160-2055
A2ZACR1	1901-0040		DIODE-SWITCHING 2NS 30V 50MA	28480	1901-0040
A2ZACR2	1901-0040		DIODE-SWITCHING 2NS 30V 50MA	28480	1901-0040
A2ZAK1	0490-0916		RELAY: FEED; 1A .5A 50V CONT; 5V COIL	28480	0490-0916
A2ZAK2	0490-0916		RELAY: FEED; 1A .5A 50V CONT; 5V COIL	28480	0490-0916
A2ZAK3	0490-0916		RELAY: FEED; 1A .5A 50V CONT; 5V COIL	28480	0490-0916
A2ZAL1	9140-0118	1	COIL FXD: MOLDED RE CHOKE; 500UH 5%	24226	197503
A2ZAL2	9140-0144		COIL FXD: MOLDED RE CHOKE; 4.7UH 10%	24226	107471
A2ZAO1	1854-0071		TRANSISTOR NPN SI PD=300MW FT=200MHZ	28480	1854-0071
A2ZAO2	1854-0071		TRANSISTOR NPN SI PD=300MW FT=200MHZ	28480	1854-0071
A2ZAO3	1853-0020		TRANSISTOR PNP SI CHIP PD=300MW	28480	1853-0020
A2ZAR1	0698-7227	1	RESISTOR 422 OHM 2% .05W F TUBULAR	24546	C3-1/8-T0-422R-G
A2ZAR2	0698-7222		RESISTOR 261 OHM 2% .05W F TUBULAR	24546	C3-1/8-T0-261R-G
A2ZAR3	0698-7240	1	RESISTOR 1.47K 2% .05W F TUBULAR	24546	C3-1/8-T0-1471-G
A2ZAR4	0698-7248	1	RESISTOR 3.16K 2% .05W F TUBULAR	24546	C3-1/8-T0-3161-G
A2ZAR5	0698-7222		RESISTOR 261 OHM 2% .05W F TUBULAR	24546	C3-1/8-T0-261R-G
A2ZAR6	0698-7212		RESISTOR 100 OHM 2% .05W F TUBULAR	24546	C3-1/8-T0-100R-G
A2ZAR7	0698-7229		RESISTOR 511 OHM 2% .05W F TUBULAR	24546	C3-1/8-T0-511R-G
A2ZAR8	0698-7188	2	RESISTOR 10 OHM 2% .05W F TUBULAR	24546	C3-1/8-T0-10R-G
A2ZAR9	0698-7188		RESISTOR 10 OHM 2% .05W F TUBULAR	24546	C3-1/8-T0-10R-G

CHANGE B

Page 6-52, Table 6-3:

Change A20K1 and K2 to 0490-0908, RELAY 24 Vdc CONT 5A 115 VAC FOAM 4C, 28480.

Change A20R7 to 0757-0198, RESISTOR 100Ω, 1% .5W F TUBULAR.

Page 6-56, Table 6-3:

Delete 08660-00100, 4, DAMPING PAD, FOAM.

Delete 08660-00085, 1, Plate Oscillator Top, 28480, 08660-00085.

MANUAL CHANGES

CHANGE B (Cont'd)

Page 6-56, Table 6-3: (Cont'd)

- Delete 08660-00086, 1, Plate Oscillator Bottom, 28480, 08660-00086.
- Add 08660-00028, CLAMP, REF. OSC. (Opt. 002).

Page 6-56, Table 6-3:

- Delete 08660-20203, 1, Plate Oscillator Bottom, 28480, 08660-20203.

CHANGE C

Page 6-19, Table 6-3:

- Change the description of A4J11 to "RF Connector (part of A4W4)."
- Add A4J14, 1250-0901 CONNECTOR-RF SMB M SGL HOLE FR.

Page 6-27, Table 6-3:

- Delete A4A8, 08660-60325, 100 MHz Band Pass Filter, 28480, 08660-60325.

Page 6-55, Table 6-3:

- Delete W6, 08660-60326, Cable Assembly 100 MHz Band Pass Filter Input, 28480, 08660-60326.

Page 8-97, Figure 8-21 (Service Sheet 3):

- Change the diagram as shown in the partial schematic.

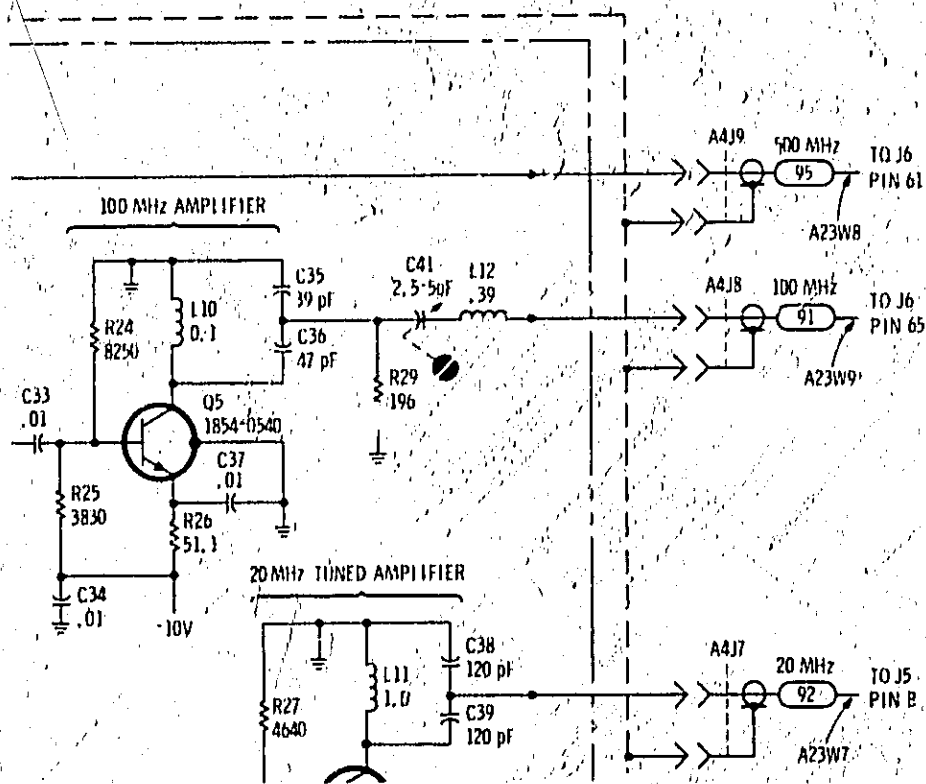


Figure 7-2. Reference VCO and Divider Schematic Backdating (Partial Diagram, Part of Change C)

MANUAL CHANGES

CHANGE D

Pages 6-27 and 6-28, Table 6-3:

Change A5Q1, Q3, and Q5 to 1853-0037, TRANSISTOR PNP 2N4236 SI TO-5 PD=1W.

Change A5R10, 0698-0082, RESISTOR-FXD 464 OHMS 1% .125W F TC=0±100.

Change A5U3 to 1820-0247, IC LM305 RGLTR.

Delete immediately after A5Q3 and A5Q5, 1205-0011, HEAT DISSIPATOR SGL TO-5/TO-39 PKG.

Delete A6R1, 0811-3410, RESISTOR .165 1% 25W PW TC=0±90.

Pages 6-28 and 6-29, Table 6-3:

Change A6A1CR1 to 1902-3262, DIODE-ZNR 24.9V 5% D0-7 PD=0.4W TC=+0.081%.

Change A6A1Q3 and A6A1Q6 to 1853-0037, TRANSISTOR PNP SI TO-39 PD=1W.

Change A6A1Q9 to 1854-0003, TRANSISTOR NPN SI TO-39 PD=800 MW.

Add A6A1R8 and R9 0812-0019 RESISTOR .33 OHM 5% 3W PW TUBULAR.

Page 6-52, Table 6-3:

Change the A20 Assembly parts list as shown by Table 7-4 below.

Page 6-55, Table 6-3:

Delete CR1, 1901-1001, DIODE MULT SILICON DUAL (P/O T1).

Delete CR2 and CR3, 1906-0065, DIODE-FW BRDG 100V 10A.

Change the description of T1 to COIL FXD.

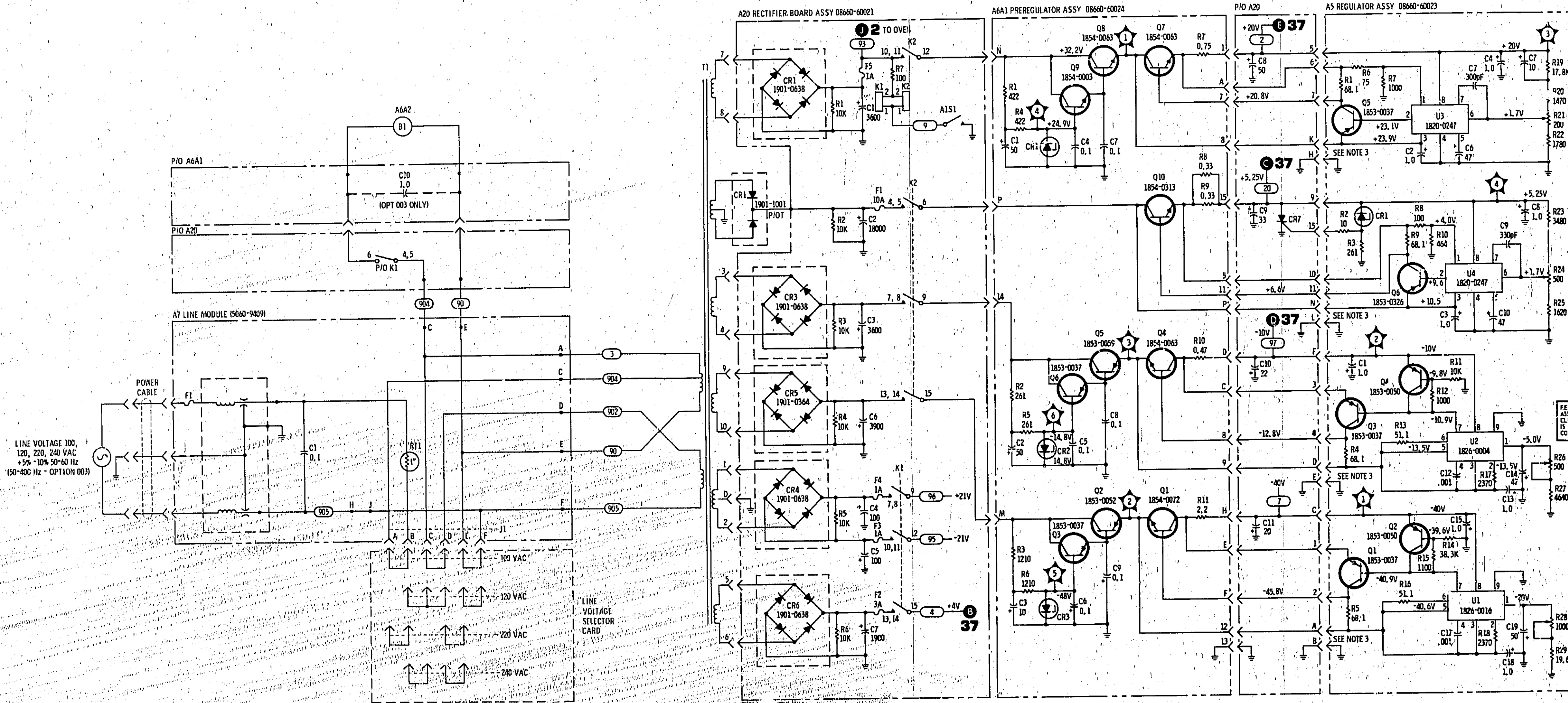
Add T1CR1 1901-1001 DIODE, MULT. SILICON DUAL.

Page 8-175, Figure 8-107 (Service Sheet 41):

Change the diagram as shown in a partial schematic found in this section (Figure 7-3).

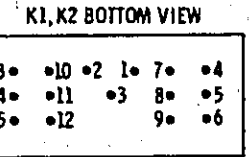
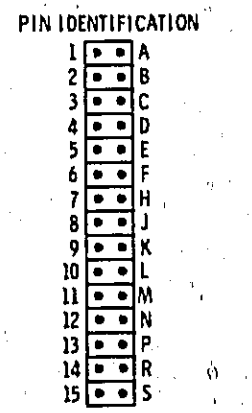
Table 7-4. Replaceable Parts Backdating (Part of Change D)

Reference Designation	HP Part Number	Qty	Description	Mfr Code	Mfr Part Number
A70	08660-60021	1	BOARD ASSY, RECTIFIER	284PD	08660-60021
A20C1	0180-2365	2	CAPACITOR-FXPD: 3600UF*75-10% 40VDC AL	56289	3603A25060AR2A
A20C2	0180-1968	1	CAPACITOR-FXPD: 18000UF*75-10% 15VDC AL	28490	0180-1968
A20C3	0180-2369	1	CAPACITOR-FXPD: 3600UF*75-10% 40VDC AL	56289	3603A25060AR2A
A20C4	0180-0094	2	CAPACITOR-FXPD: 100UF*75-10% 25VDC AL	56289	30010750250D2
A20C5	0180-0094	1	CAPACITOR-FXPD: 100UF*75-10% 25VDC AL	56289	30010750250D2
A20C6	0180-2334	1	CAPACITOR-FXPD: 3900UF*75-10% 75VDC AL	56289	3603025075AR2A
A20C7	0180-2154	1	CAPACITOR-FXPD: 1900UF*75-10% 15VDC AL	56289	3001085015GLA
A20C8	0180-0058	1	CAPACITOR-FXPD: 50UF*75-10% 25VDC AL	56289	3005065025CC2
A20C9	0180-0228	1	CAPACITOR-FXPD: 330UF*10% 10VDC TA-SOLID	56289	150D336X9010R2
A20C10	0180-0228	1	CAPACITOR-FXPD: 220UF*10% 15VDC TA-SOLID	56289	150D226X9015R2
A20C11	0180-0049	1	CAPACITOR-FXPD: 200UF*75-10% 50VDC AL	56289	3002065050CC2
A20C12	1901-0638	4	DIODE; MULT; FULL WAVE BRIDGE RECTIFIER NOT ASSIGNED	284PD	1901-0638
A20C13	1901-0638	1	DIODE; MULT; FULL WAVE BRIDGE RECTIFIER	284PD	1901-0638
A20C14	1901-0638	1	DIODE; MULT; FULL WAVE BRIDGE RECTIFIER	284PD	1901-0638
A20C15	1901-0364	1	DIODE-MULT FULL WAVE BRIDGE RECTIFIER	04713	58A 10185-4
A20C16	1901-0638	1	DIODE; MULT; FULL WAVE BRIDGE RECTIFIER	284PD	1901-0638
A20C17	1884-0024	1	DIODE; MULT; FULL WAVE BRIDGE RECTIFIER	284PD	1884-0024
A20F1	2110-0051	1	FUSE 10A 250V	284PD	2110-0051
A20F2	2110-0332	1	FUSE 3A 125V	71400	GMW 3
A20F3	2110-0047	3	FUSE 1A 125V	71400	TYPE GMW-1/2
A20F4	2110-0047	3	FUSE 1A 125V	71400	TYPE GMW-1/2
A20F5	2110-0047	3	FUSE 1A 125V	71400	TYPE GMW-1/2
A20K1	0490-0908	2	RELAY, 24VDC, CONT 5A 115VAC FORM 4C	77342	R40-F1-X4-V800
A20K2	0490-0908	2	RELAY, 24VDC, CONT 5A 115VAC FORM 4C	77342	R40-F1-X4-V800
A20MP1	0490-0861	2	SPRING PLY RTNR .031-CD SST	77342	R40-P33
A20MP2	0490-0861	2	SPRING PLY RTNR .031-CD SST	77342	R40-P33
A20MP3	0490-0554	1	COVER, CAPACITOR	284PD	0490-0554
A20R1	0757-0442	1	RESISTOR 10K 1% .125W F TUBULAR	24546	C4-1/8-T0-1002-F
A20R2	0757-0442	1	RESISTOR 10K 1% .125W F TUBULAR	24546	C4-1/8-T0-1002-F
A20R3	0757-0442	1	RESISTOR 10K 1% .125W F TUBULAR	24546	C4-1/8-T0-1002-F
A20R4	0757-0442	1	RESISTOR 10K 1% .125W F TUBULAR	24546	C4-1/8-T0-1002-F
A20R5	0757-0442	1	RESISTOR 10K 1% .125W F TUBULAR	24546	C4-1/8-T0-1002-F
A20R6	0757-0442	1	RESISTOR 10K 1% .125W F TUBULAR	24546	C4-1/8-T0-1002-F
A20R7	0757-0198	1	RESISTOR 100 OHM 1% .5W F TUBULAR	10701	MF7C1/2-T0-101-F
A20XA1	1251-2313	6	CONNECTOR; 15-COMT SKT .04 DIA	00779	3-332070-5
A20XA5	1251-1626	6	CONNECTOR; PC EDGE; 12-COMT; DIP SOLDER	71785	257-12-30-300
A20XA1	0490-0907	2	SOCKET; RELAY 15-COMT DIP SOLDER	284PD	0490-0907
A20XA2	0490-0907	2	SOCKET; RELAY 15-COMT DIP SOLDER	284PD	0490-0907



LINE VOLTAGE 100,
120, 220, 240 VAC
+5% -10% 50-60 Hz
(50-400 Hz - OPTION 003)

LINE
VOLTAGE
SELECTOR
CARD



- NOTES
1. REFER TO TABLE B-3 FOR EXPLANATION OF SYMBOLS
 2. INTEGRATED CIRCUIT GATE INTERNAL LOGIC IS SHOWN IN FIGURE B-6
 3. EACH REGULATOR CIRCUIT ON A5 HAS ITS OWN GROUND. THESE GROUNDS ARE NOT COMMON ON THE A5 ASSEMBLY.

REFERENCE DESIGNATIONS WITHIN OUTLINED (---) ASSEMBLIES ARE ABBREVIATED. FULL DESIGNATION INCLUDES ASSEMBLY NUMBER, e.g., R1 OF ASSEMBLY A1 IS A1R1. DESIGNATIONS OF OTHER COMPONENTS ARE COMPLETE AS SHOWN.

REFERENCE DESIGNATIONS

CHASSIS	A6A1
T1	C1-10
A5	CR1-3
	Q1-10
	R1-11
C1-19	A7
CR1	
Q1-6	A20
R1-29	
U1-4	C1-11
	CR1-7
	F1
	K1, 2
	R1-7

Figure 7-3. Power Supply Schematic (P/O Change D)

MANUAL CHANGES

CHANGE E

Page 5-2, Table 5-1:

Delete A4A4C10, Reference VCO Assembly, to set the reference loop bandwidth and capture range (interacts with A4A2C11). Range of values 10 to 56 pF.

Page 6-22, Table 6-3:

Change A4A4C10 to A4A4C10*, 0160-2197 CAPACITOR-FXD 10 pF \pm 5% 500 WVDC CER (FACTORY SELECTED PART).

Page 8-97, Figure 8-21 (Service Sheet 3):

Change A4A4C10 to A4A4C10*.

CHANGE F

Page 5-2, Table 5-1:

Delete A4A6C6, HF Loop, to ensure tuning range sufficient to trap the 10 MHz signal, 16 to 24 pF.

Page 6-25, Table 6-3:

Change A4A6C6 to A4A6C6*; add a note in the description "(*Factory Selected Part)".

Pages 6-27 and 6-28, Table 6-3:

Change A5 to 08660-60023.

Change A5C7 to 0180-0374.

Change A5C14 to 0180-1704.

Change A5C19 to 0180-0058.

Change A6A1 to 08660-60024.

Pages 6-28 and 6-29, Table 6-3:

Delete A6A3, 1, 08660-60336, Fan Relay Assembly (Does not incl. A6A3C1).

Delete A6A3K1, 1, 0490-0643, RELAY 1C 24 VDC-COIL 2A 220 VAC.

Delete A6A3R1, 1, 0698-3629, RESISTOR 270 5% 2W MO TC=0 \pm 200.

Change A6A1C10 to A6A3C1.

Change A6A1C6 and C9 to 0150-0121.

Change A7 to 5060-9409.

Add A6A2C1, 0160-3679 CAPACITOR-FXD 1 UF \pm 10% 220 WVAC MET (OPT 003 ONLY).

Page 8-99, Figure 8-23 (Service Sheet 4):

Change A4A6C6 to A4A6C6*.

Page 8-175, Figure 8-107 (Service Sheet 41):

Change the schematic as shown in the partial schematic found in this section (Figure 7-4).

**BACK DATING
MANUAL
CHANGES**

CON'T

CHANGE F (Cont'd)

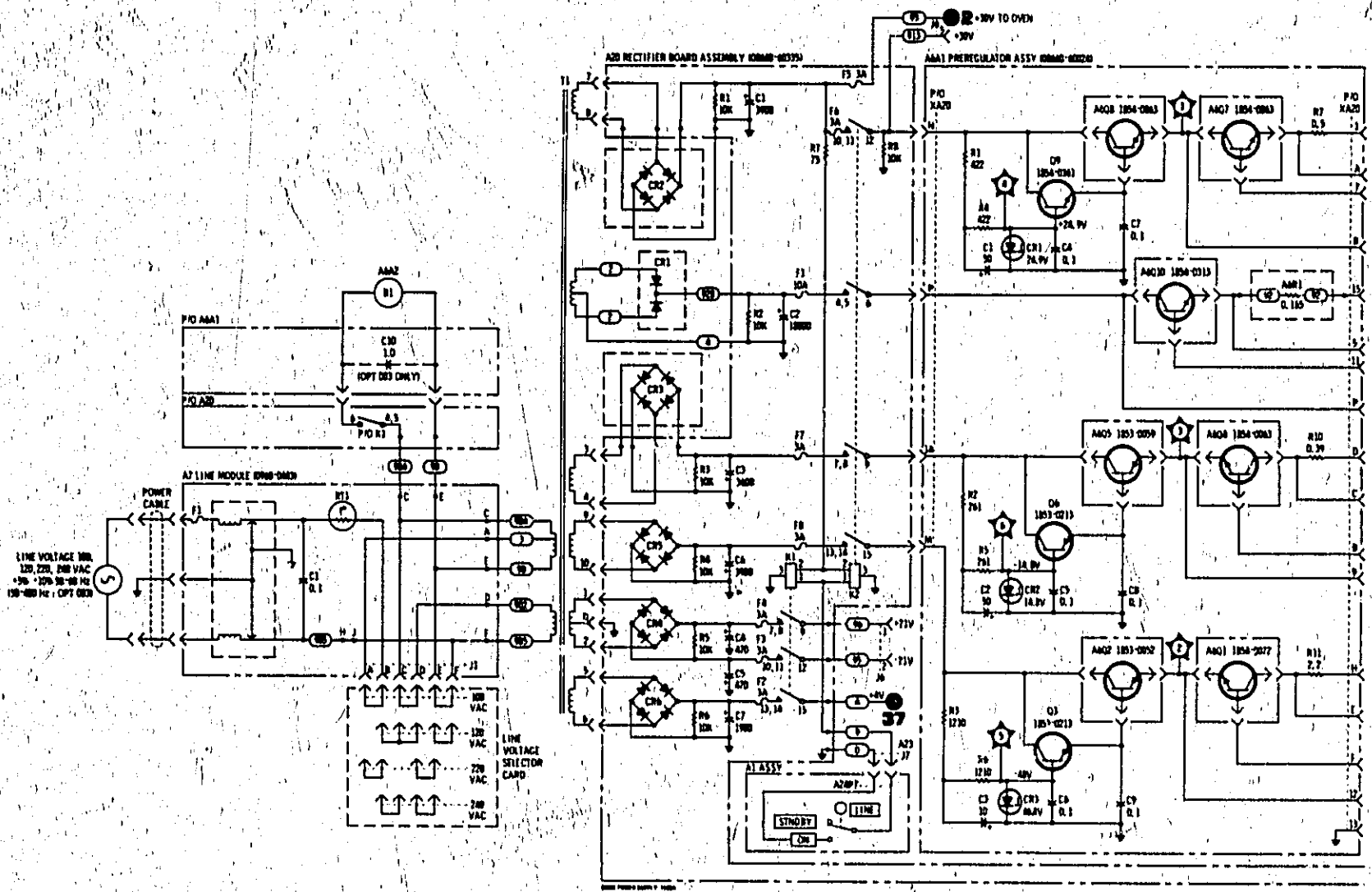


Figure 7-4. Power Supply Schematic Backdating (Partial Diagram, Part of Change F)

MANUAL CHANGES

CHANGE G

Page 6-21, Table 6-3:

Change A4A2R11 to 0757-1090, RESISTOR 261 1% .5W F TUBULAR.

Page 6-36, Table 6-3:

Delete A13, 08660-60339, N2 Oscillator Assy (Option 004 ONLY).

Change the description of A13, 08660-60012 to include "(except Option 004)".

Page 6-38, Table 6-3:

Delete from the description of A13R83 "(except Option 004)".

Page 8-95, Figure 8-18 (Service Sheet 2):

Change the value of A4A2R11 to 261Ω.

Page 8-113, Figure 8-39 (Service Sheet 10):

Delete "NOTE 5" after R83.

Delete "NOTE 5" "R83 not used in Option 004 instruments".

CHANGE H

Page 6-12, Table 6-3:

Change A1A11C2 and C3 to 0160-3879, CAPACITOR-FXD 0.01 μF ±20% 100 WVDC CER.

Page 6-17, Table 6-3:

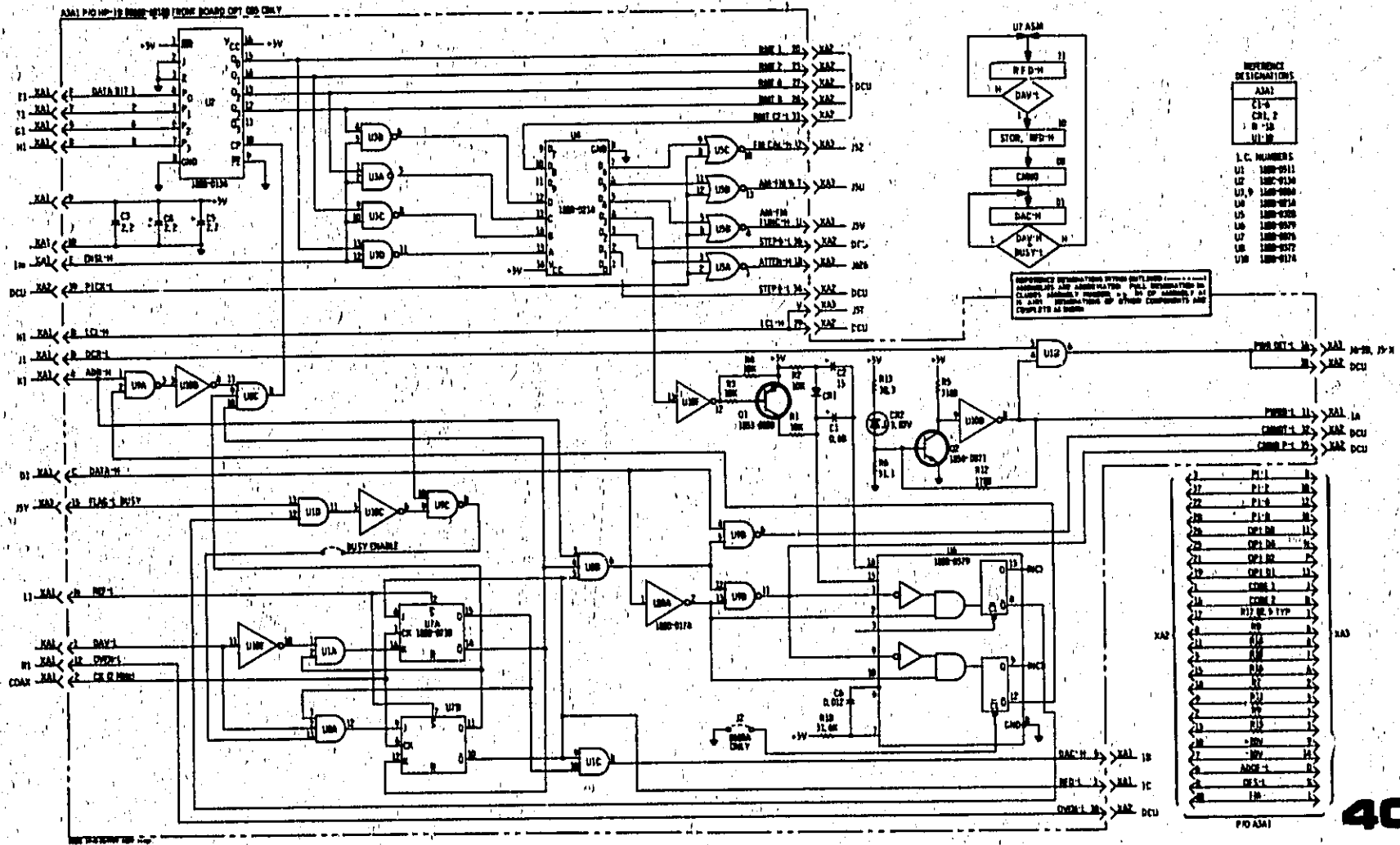
Delete A3A1J3, 1251-2194, CONNECTOR, 1-CONT SKT .021 DIA.

Page 6-45, Table 6-3:

Change A17C16 to 0170-0082, CAPACITOR-FXD .01 ±20% 50 WVDC POLYE.

Page 8-173, Figure 8-103 (Service Sheet 40):

Change the diagram as shown in the schematic (Part of Change H).



7-13

Figure 7-5., HP-IB Output Assembly Schematic Backdating (Partial Diagram, Part of Change H)

MANUAL CHANGES

CHANGE I

Page 6-17, Table 6-3:

Replace the A3A1 Assembly parts list with the table (part of Change I).

Page 8-173, Figure 8-103 (Service Sheet 40):

Replace the A3A1 Assembly Schematic with the new diagram (part of Change I).

Table 7-5. Replaceable Parts Backdating (Part of Change I)

Reference Designation	HP Part Number	Qty	Description	Mfr Code	Mfr Part Number
A3A1	08660-6018R	1	BOARD ASSY. HP 1B OUTPUT	28480	08660-6018R
A3A1C1	0180-0373	1	CAPACITOR-FXD: .68UF+-10% 35VDC TA	56289	1500654X9035A2
A3A1C2	0180-1746	1	CAPACITOR-FXD: 15UF+-10% 20VDC TA-SOLID	56289	1500156X9020R2
A3A1C3	0180-0197	6	CAPACITOR-FXD: 2.2UF+-10% 20VDC TA	56289	1500225X9020A2
A3A1C4	0180-0197	1	CAPACITOR-FXD: 2.2UF+-10% 20VDC TA	56289	1500225X9020A2
A3A1C5	0150-0197	1	CAPACITOR-FXD: 2.2UF+-10% 20VDC TA	56289	1500225X9020A2
A3A1C6	0160-0301	1	CAPACITOR-FXD .012UF +-10% 200WVDC POLYF	56289	292P12392
A3A1CP1	1901-0040	1	DIODE-SWITCHING 2N5 30V 50MA	28480	1901-0040
A3A1CR2	1902-3059	1	DIODE-ZNR 3.83V 5% 10-7 PD=.4W TC=	04713	52 10939-62
A3A1J1	1251-2194	2	CONNECTOR-1-CONT 5KT .021 DIA	00779	3-331272-0
A3A1J2	1251-2194	2	CONNECTOR-1-CONT 5KT .021 DIA	00779	3-331272-0
A3A1O1	1953-0020	1	TRANSISTOR PNP SI CHIP PD=300MW	28480	1853-0020
A3A1O2	1854-0071	1	TRANSISTOR NPN SI PD=300MW FT=200MHZ	28480	1854-0071
A3A1R1	0757-0442	4	RESISTOR 10K 1% .125W F TUBULAR	24546	C4-178-Y0-1002-F
A3A1R2	0757-0442	1	RESISTOR 10K 1% .125W F TUBULAR	24546	C4-178-Y0-1002-F
A3A1R3	0757-0442	1	RESISTOR 10K 1% .125W F TUBULAR	24546	C4-178-Y0-1002-F
A3A1R4	0757-0442	1	RESISTOR 10K 1% .125W F TUBULAR	24546	C4-178-Y0-1002-F
A3A1R5	0757-0279	1	RESISTOR 3.16K 1% .125W F TUBULAR	24546	C4-178-Y0-3161-F
A3A1R6	0757-0394	1	RESISTOR 51.1 OHM 1% .125W F TUBULAR	24546	C4-178-Y0-5191-F
A3A1R7	0698-7210	9	RESISTOR 82.5 OHM 2% .05W F TUBULAR	24546	C3-178-Y00-8295-G
A3A1R8	0698-7210	1	RESISTOR 82.5 OHM 2% .05W F TUBULAR	24546	C3-178-Y00-8295-G
A3A1R9	0698-7210	1	RESISTOR 82.5 OHM 2% .05W F TUBULAR	24546	C3-178-Y00-8295-G
A3A1R10	0698-7210	1	RESISTOR 82.5 OHM 2% .05W F TUBULAR	24546	C3-178-Y00-8295-G
A3A1R11	0698-7210	1	RESISTOR 82.5 OHM 2% .05W F TUBULAR	24546	C3-178-Y00-8295-G
A3A1R12	0757-0279	1	RESISTOR 1.78K 1% .125W F TUBULAR	24546	C4-178-Y0-1781-F
A3A1R13	0698-3435	1	RESISTOR 38.3 OHM 1% .125W F TUBULAR	16299	C4-178-Y0-383-F
A3A1R14	0698-7210	1	RESISTOR 82.5 OHM 2% .05W F TUBULAR	24546	C3-178-Y00-8295-G
A3A1R15	0698-7210	1	RESISTOR 82.5 OHM 2% .05W F TUBULAR	24546	C3-178-Y00-8295-G
A3A1R16	0698-7210	1	RESISTOR 82.5 OHM 2% .05W F TUBULAR	24546	C3-178-Y00-8295-G
A3A1R17	0698-7210	1	RESISTOR 82.5 OHM 2% .05W F TUBULAR	24546	C3-178-Y00-8295-G
A3A1R18	0698-3160	1	RESISTOR 31.6K 1% .125W F TUBULAR	16299	C4-178-Y0-3162-F
A3A1U1	1820-0511	3	IC DGTL SN74 08 N GATE	01295	SN7408N
A3A1U2	1820-0134	1	IC DGTL REGISTER	07263	93000C
A3A1U3	1820-0054	3	IC DGTL SN74 00 N GATE	01295	SN7400N
A3A1U4	1820-0214	1	IC DGTL SN74 42 N DECODER	01295	SN7442N
A3A1U5	1820-0328	1	IC DGTL SN74 02 N GATE	01295	SN7402N
A3A1U6	1820-0579	1	IC DGTL SN74 123 N MULTIVIBRATOR	01295	SN74123N
A3A1U7	1820-0076	1	IC DGTL SN74 76 N FLIP-FLOP	01295	SN7476N
A3A1U8	1820-0372	1	IC DGTL SN74H 11 N GATE	01295	SN74H11N
A3A1U9	1820-0054	1	IC DGTL SN74 00 N GATE	01295	SN7400N
A3A1U10	1820-0174	3	IC DGTL SN74 04 N INVERTER	01295	SN7404N

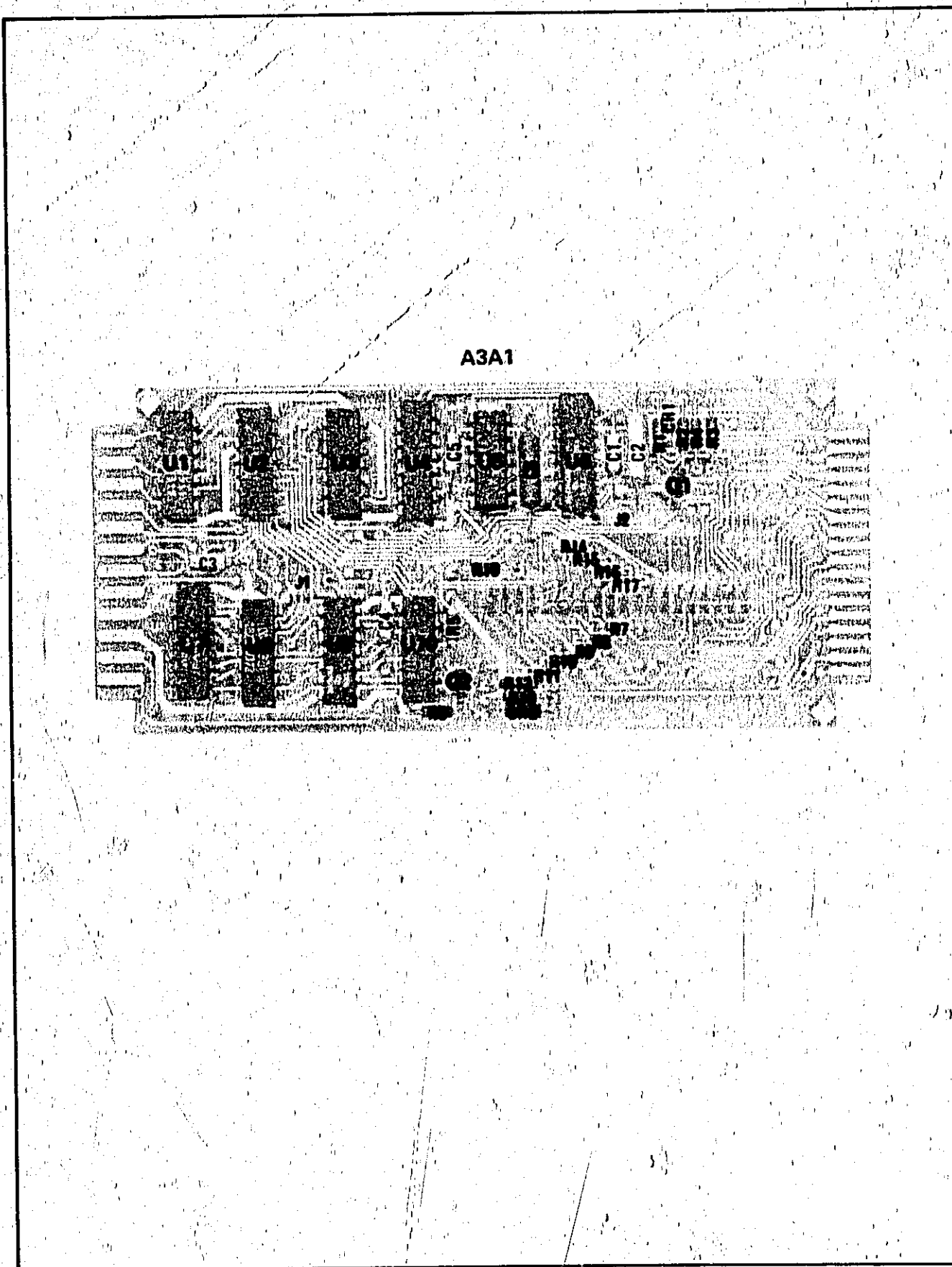


Figure 7-6. Option 005 A3A1 Component Locations Backdating (Part of Change 1)

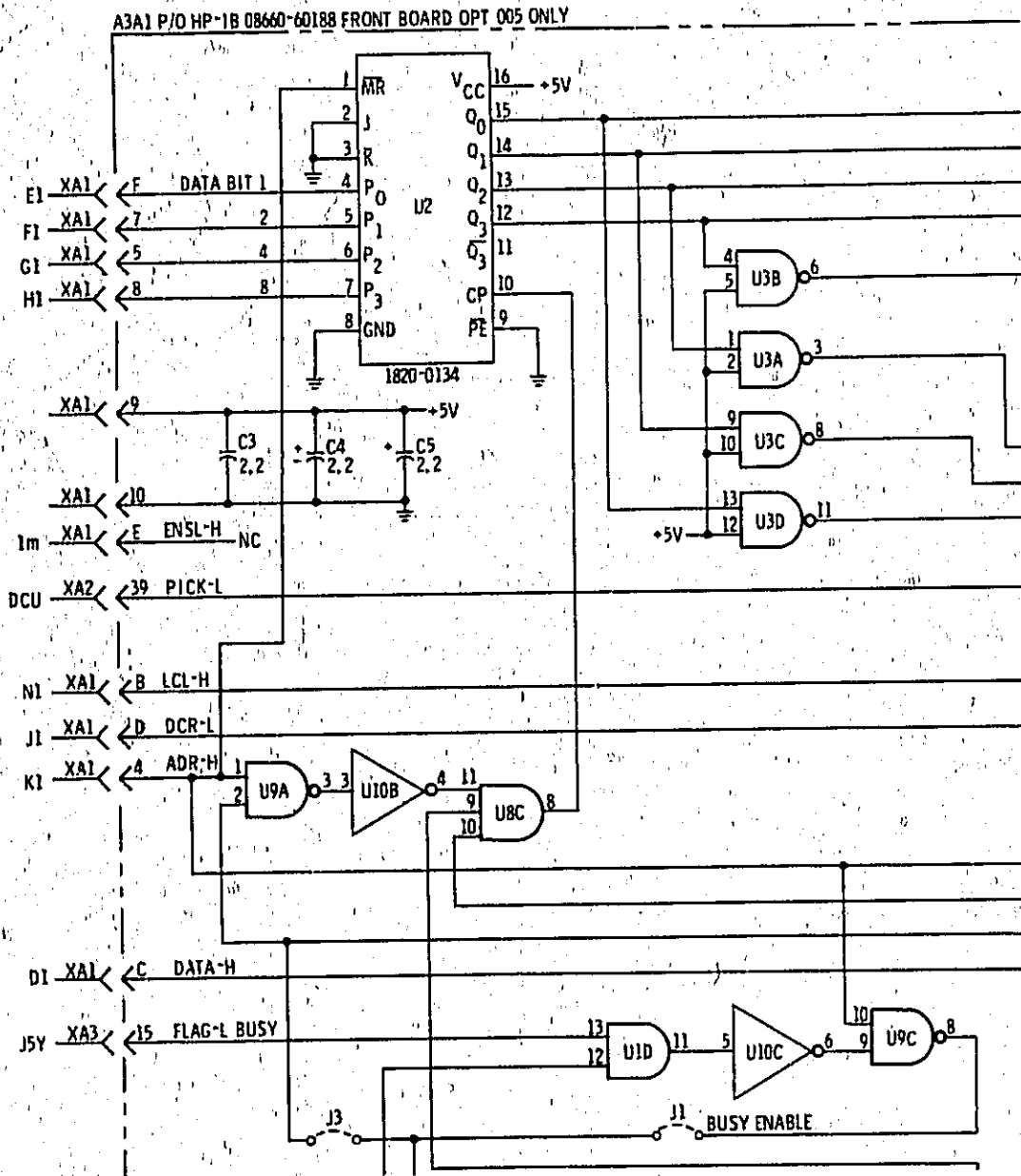


Figure 7-7. HP-IB Output Assembly Backdating Schematic (P/O Change 1)

MANUAL CHANGES

CHANGE J

Page 6-15, Table 6-3:

Change the A3A1 Assembly parts list as shown in the table (part of Change J).

Page 8-167, Figure 8-97 (Service Sheet 37):

Change the schematic diagram as shown (part of Change J).

Table 7-6. Replaceable Parts Backdating (Part of Change J)

Reference Designation	HP Part Number	Qty	Description	Mfr Code	Mfr Part Number	
A3A1	0P660-60020	1	BOARD ASSY, DIGITAL INTERFACE(FRONT)	2R480	0P660-60020	
A3A1C1	0180-0154	3	CAPACITOR-FXD 2200PF ±10% 200VDC POLYF	56209	292P2200	
A3A1C2	0180-0197		CAPACITOR-FXD: 2.2UF±10% 20VDC TA	56209	150P225K9020A2	
A3A1C3	0180-0197		CAPACITOR-FXD: 2.2UF±10% 20VDC TA	56209	150P225K9020A2	
A3A1C4	0180-0197		CAPACITOR-FXD: 2.2UF±10% 20VDC TA	56209	150P225K9020A2	
A3A1C5	0180-1746		CAPACITOR-FXD: 15UF±10% 20VDC TA-SOLID	56209	150D15K9020A2	
A3A1C6	0180-0373	1	CAPACITOR-FXD: .68UF±10% 35VDC TA	56209	150P68KX7035A2	
A3A1CR1	1502-3099	1	DIODE-ZNP 3.3V 5% DO-7 PD=.4W TC=	04713	SZ 10999-62	
A3A1CR2	1901-0040		DIODE-SWITCHING 2MS 30V 50MA	2N480	1901-0040	
A3A1D1	1853-0020	1	TRANSISTOR PNP SI CHIP PD=300MW	2A490	1853-0020	
A3A1D2	1854-0071		TRANSISTOR NPN SI PD=300MW FT=200MHZ	2A490	1854-0071	
A3A1D3	1854-0071		TRANSISTOR NPN SI PD=300MW FT=200MHZ	2A490	1854-0071	
A3A1D4	1854-0071		TRANSISTOR NPN SI PD=300MW FT=200MHZ	2A490	1854-0071	
A3A1R1	0698-3157	5	RESISTOR 19.6K 1% .125W F TUBULAR	24546	CA-1/R-T0-1962-F	
A3A1R2	0698-3157		RESISTOR 19.6K 1% .125W F TUBULAR	24546	CA-1/R-T0-1962-F	
A3A1R3	0698-3435		RESISTOR 39.3 OHM 1% .125W F TUBULAR	24546	CA-1/R-T0-393-F	
A3A1R4	0757-0394		RESISTOR 51.1 OHM 1% .125W F TUBULAR	24546	CA-1/R-T0-511-F	
A3A1R5	0757-0279		RESISTOR 7.16K 1% .125W F TUBULAR	24546	CA-1/R-T0-3161-F	
A3A1R6	0757-0442	1	RESISTOR 10K 1% .125W F TUBULAR	24546	CA-1/R-T0-1002-F	
A3A1R7	0757-0442		RESISTOR 10K 1% .125W F TUBULAR	24546	CA-1/R-T0-1002-F	
A3A1R8	0757-0442		RESISTOR 10K 1% .125W F TUBULAR	24546	CA-1/R-T0-1002-F	
A3A1R9	0757-0442		RESISTOR 10K 1% .125W F TUBULAR	24546	CA-1/R-T0-1002-F	
A3A1R10	0757-0442		RESISTOR 10K 1% .125W F TUBULAR	24546	CA-1/R-T0-1002-F	
A3A1R11	0757-0399		13	RESISTOR 82.5 OHM 1% .125W F TUBULAR	24546	CA-1/R-T0-825-F
A3A1R12	0757-0399			RESISTOR 82.5 OHM 1% .125W F TUBULAR	24546	CA-1/R-T0-825-F
A3A1R13	0757-0399			RESISTOR 82.5 OHM 1% .125W F TUBULAR	24546	CA-1/R-T0-825-F
A3A1R14	0757-0399	RESISTOR 82.5 OHM 1% .125W F TUBULAR		24546	CA-1/R-T0-825-F	
A3A1R15	0757-0399	RESISTOR 82.5 OHM 1% .125W F TUBULAR		24546	CA-1/R-T0-825-F	
A3A1R16	0757-0399	4	RESISTOR 82.5 OHM 1% .125W F TUBULAR	24546	CA-1/R-T0-P255-F	
A3A1R17	0757-0399		RESISTOR 82.5 OHM 1% .125W F TUBULAR	24546	CA-1/R-T0-P255-F	
A3A1R18	0757-0399		RESISTOR 82.5 OHM 1% .125W F TUBULAR	24546	CA-1/R-T0-P255-F	
A3A1R19	0757-0399		RESISTOR 82.5 OHM 1% .125W F TUBULAR	24546	CA-1/R-T0-P255-F	
A3A1R20	0757-0278		RESISTOR 1.76K 1% .125W F TUBULAR	24546	CA-1/R-T0-1761-F	
A3A1U1	1820-0174	1	IC DGTL SN74 04 N INVERTER	01205	SN7404N	
A3A1U2	1820-0077		IC DGTL SN74 74 N FLIP-FLIP	01205	SN7474N	
A3A1U3	1820-0069		IC DGTL SN74 20 N GATE	01205	SN7420N	
A3A1U4	1820-0054		IC DGTL SN74 00 N GATE	01205	SN7400N	
A3A1U5	1820-0214		IC DGTL SN74 42 N DECODER	01205	SN7442N	
A3A1U6	1820-0328		1	IC DGTL SN74 07 N GATE	01205	SN7407N
A3A1U7	1820-0329			IC DGTL SN74 02 N GATE	01205	SN7402N
A3A1U8	1820-0207			IC DGTL MULTIVIBRATOR	07203	HE01PC
A3A1U9	1820-0072			IC DGTL SN74 50 N GATE	01205	SN7450N
A3A1U10	1820-0072			IC DGTL SN74 50 N GATE	01205	SN7450N
A3A1XA1	1251-1624		1	CONNECTOR: PC EDGE; 12-CONT; DIP SOLDER	71785	252-12-30-300
A3A1XA2	1251-2361			CONTACT, CONN, U/W POST TYPE SER, MALE (40 CONTACTS)	24995	P6091-2
A3A1XA3	1251-2663		3	CONNECTOR: PC EDGE; 18-CONT; SOLDER EYE	05574	3VH18/1J45
A3A1XA4	1251-1626			CONNECTOR: PC EDGE; 12-CONT; DIP SOLDER	71785	252-12-30-300
A3A1XA5	1251-2663		1	CONNECTOR: PC EDGE; 18-CONT; SOLDER EYE	05574	3VH18/1J45

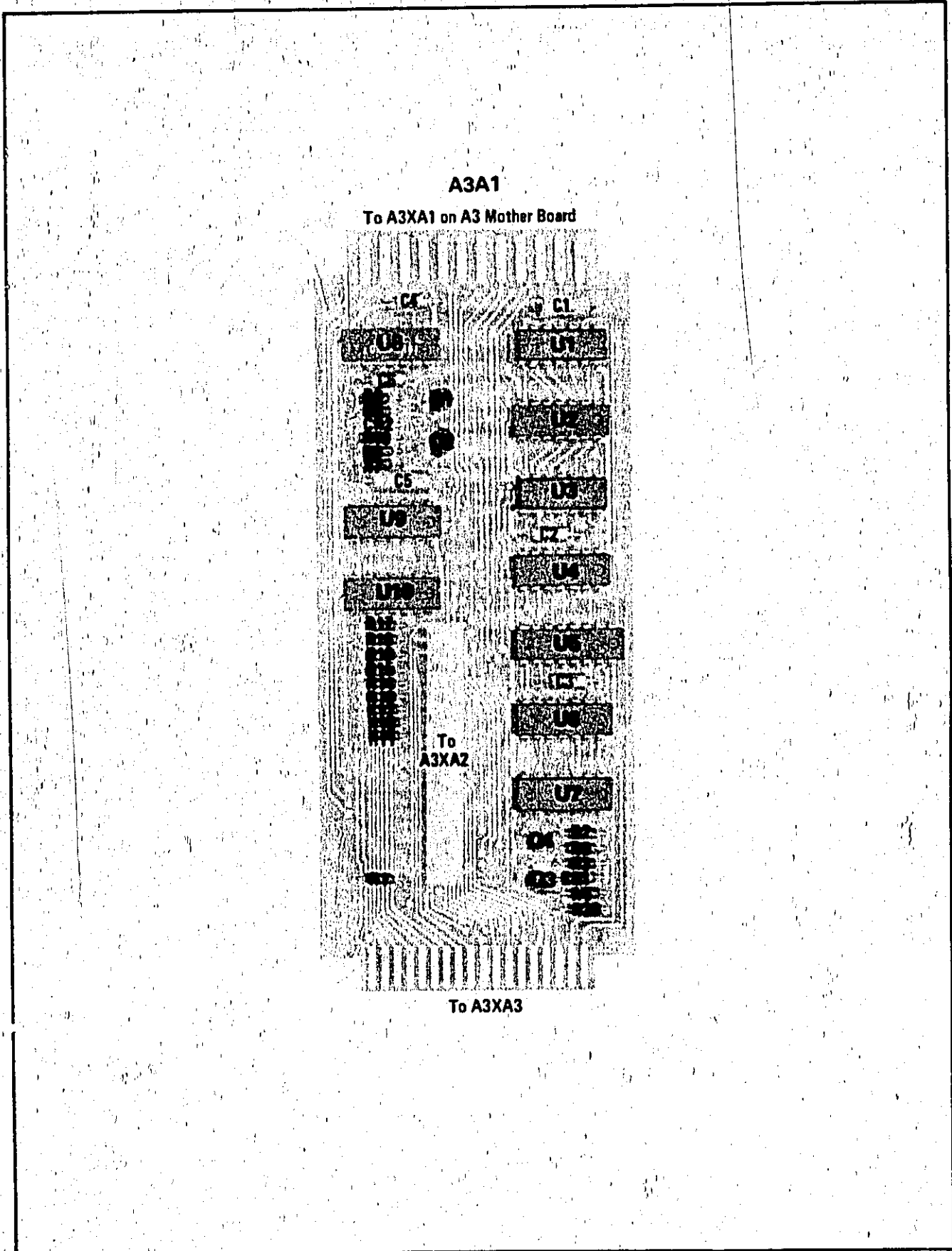


Figure 7-8: A3A1 Front Interface Board Component Locations Backdating (Part of Change J)

CHANGE J (Cont'd)

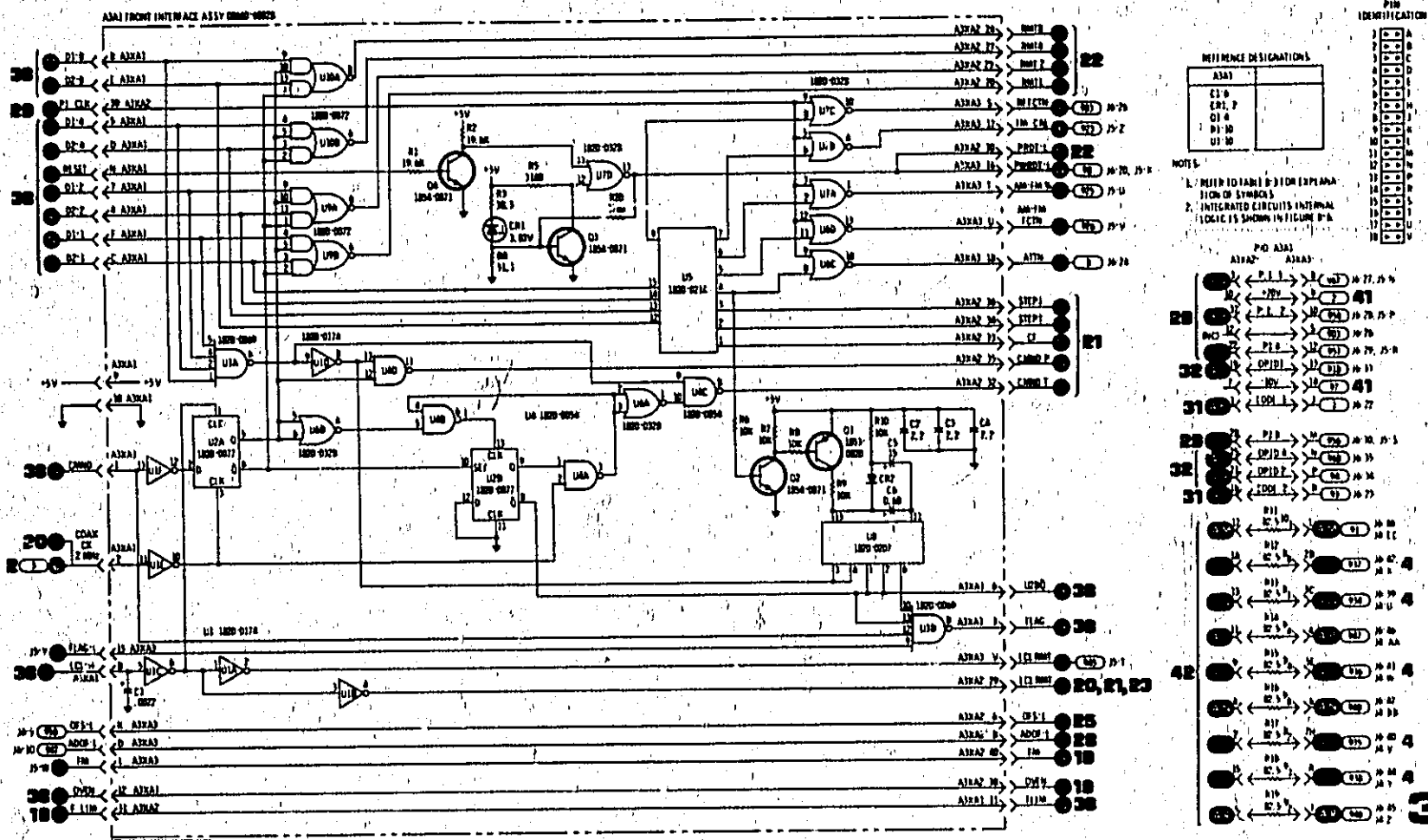


Figure 7-9. A3A1 Front Interface Board Schematic Backdating (Part of Change J)

MANUAL CHANGES

CHANGE K

Page 6-52, Table 6-3:

Delete A20CR8, 1901-0050, DIODE-SWITCHING 80V 200 NA 2 NS DO-7.

Page 8-175, Figure 8-107 (Service Sheet 41):

Delete diode A20CR8 with cathode connected to A20K1 and K2 pins 2 and anode connected to A20K1 and K2 pins 1.

CHANGE L

Page 6-11, Table 6-3:

Delete A1A8C4, 0140-0196, CAPACITOR-FXD 150 pF $\pm 5\%$ 300 WVDC MICA, 72136, DM15F151JO300WV1CR.

Page 8-159, Figure 8-87 (Service Sheet 33):

Delete A1A8C4 150 pF from pin 5 of U10 to ground.

CHANGE M

Page 6-54, Table 6-3:

Delete A25, 08660-60350, +30V Regulator Assembly

A25C1, 0160-4084, CAPACITOR-FXD 0.1 μ F $\pm 20\%$ 50 VDC CER.

A25CR1, 1902-0644, DIODE-ZNR IN5363B 30V 5% PD = 5W TC = +29 mV.

A25Q1, 1854-0766, TRANSISTOR NPN 2N5428 SI TO-66 PD = 40W.

A25Q1MP1, 0340-0162, INSULATOR-XSTR ALUMINUM.

A25Q1MP2, 1205-0085, HEAT SINK TO-66 PKG.

A25R1, 0757-0794, RESISTOR-FXD 68.1 Ω 1% .5W F TC = 0 \pm 100.A25R2, 0757-0198, RESISTOR-FXD 100 Ω 1% .5W F TC = 0 \pm 100.

Delete A25 MISCELLANEOUS

0380-0111 STANDOFF-RVT-ON .25 LG 6-32 THD .25 OD BRS.

2190-0006 WASHER-LK HLCL NO. 6 .141-IN-ID.

2360-0119 SCREW-MACH 6-32 .438-IN-LG PAN-HD-POZI.

2420-0003 NUT-HEX-DBL-CHAM 6-32 THD .094-IN-THK.

Page 8-175, Figure 8-107, Power Supply Schematic (Service Sheet 41):

Refer to Change D of this Manual Changes Section. Delete at top, near center, of page, the attached schematic for the A25 Assembly (part of Change M).

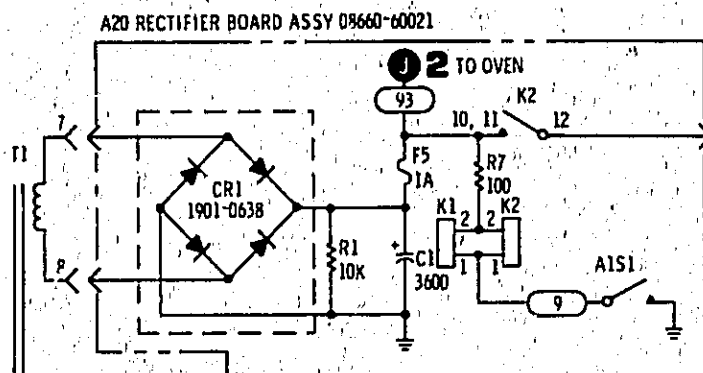


Figure 7-10. Power Supply Schematic Backdating (Part of Change M)

MANUAL CHANGES

CHANGE N

Page 6-24, Table 6-3:

Change A4A5C16 and C22 to 0160-3878 CAPACITOR-FXD 1000 pF $\pm 20\%$ 100 WVDC CER.
Change A4A5L10 to 9100-2250 COIL MLD .18 μ H 10% Q=34 0.095D x 0.25 LG.

Page 8-103, Figure 8-29 (Service Sheet 6):

Change A4A5C16 and C22 to 1000.
Change A4A5L10 to .18.

CHANGE O

Page 6-11, Table 6-3 and Figure 8-87 (Service Sheet 33):

Add A1A8C4, 0140-0196, CAPACITOR-FXD 150 pF $\pm 5\%$ 300 WVDC MICA, 72136,
DM15F151, 0300WV1CR, from pin 5 of U10 to ground.

Change A1A8 to 02660-60189.

Add A1A8R3, 0757-1100 RESISTOR 600 OHM 1% .125W F TUBULAR.

Delete A1A8R31, 0757-0280 RESISTOR 1000 1% 0.125W F TC=0 \pm 100.

Delete A1A8R32, 0757-0280 RESISTOR 1000 1% 0.125W F TC=0 \pm 100.

Change A1A8U2, 1820-0533 IC DGTL DM746 00N GATE.

Delete Miscellaneous A1A8:

0360-J124 TERMINAL STUD.

0361-0251 EYELET 0.059 O.D. 0.102 LG. 0.006 THK.

Page 8-159, Figure 8-87 (Service Sheet 33):

Replace the A1A8 schematic diagram as shown (part of CHANGE O).

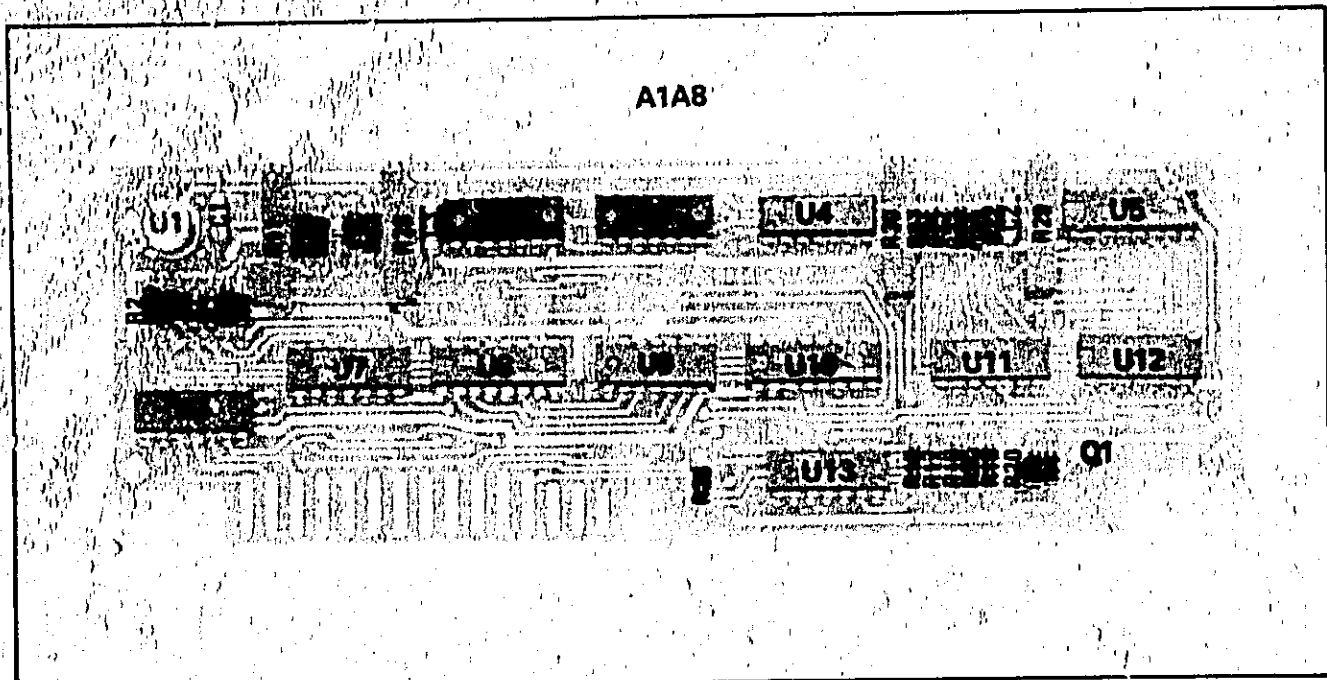


Figure 7-11. A1A8 Sweep Count Assembly Component Locations Backdating (Part of Change O)

7-22

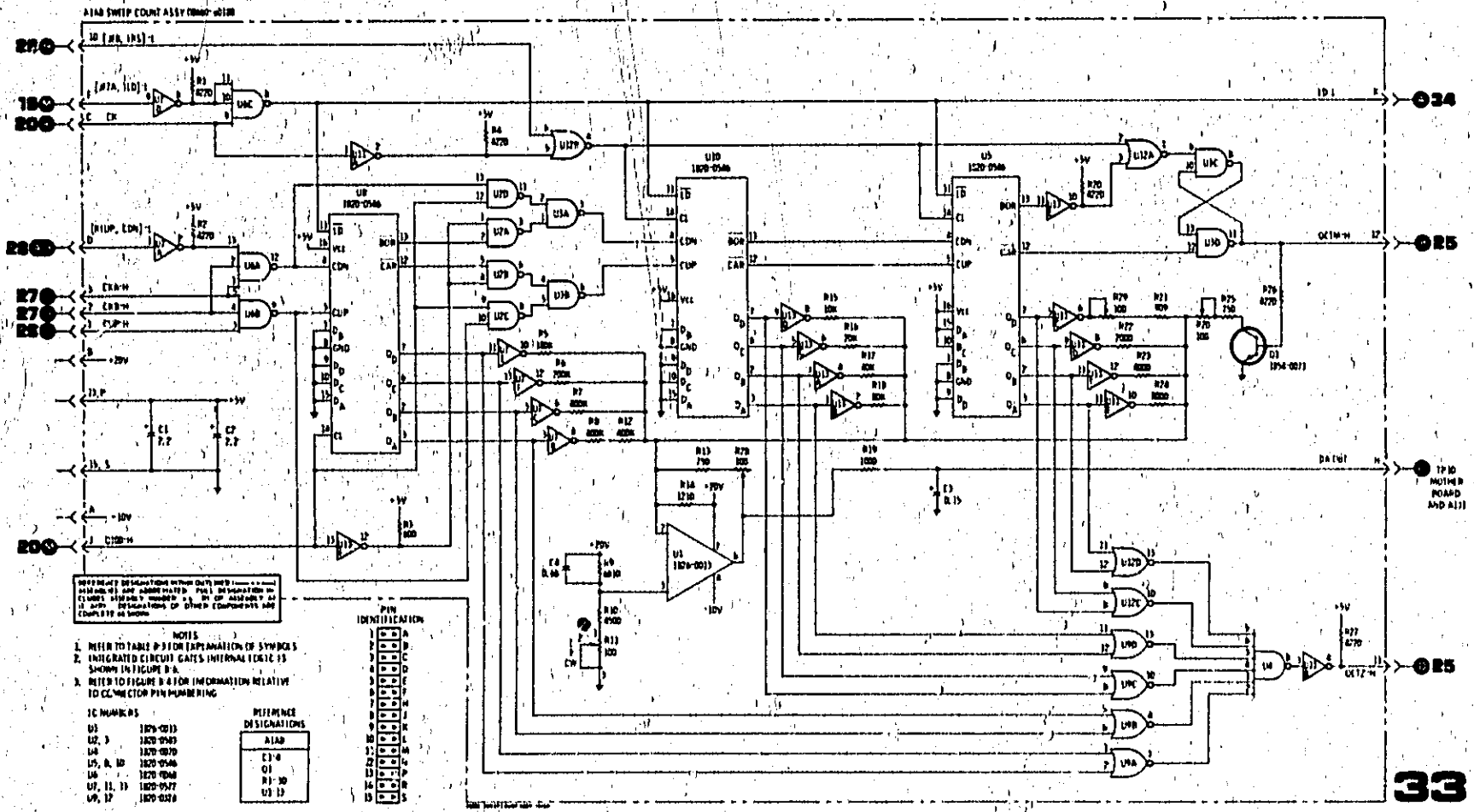


Figure 7-12. A1A8 Sweep Count Assembly Buckdating Schematic (Part of Change O)

33

MANUAL CHANGES**CHANGE P**

Page 6-17, Table 6-3:

Replace the A3A1 Assembly parts list with the table (part of Change P).

Page 8-173, Figure 8-103 (Service Sheet 40):

Replace the A3A1 Assembly Schematic with the new diagram (part of Change P).

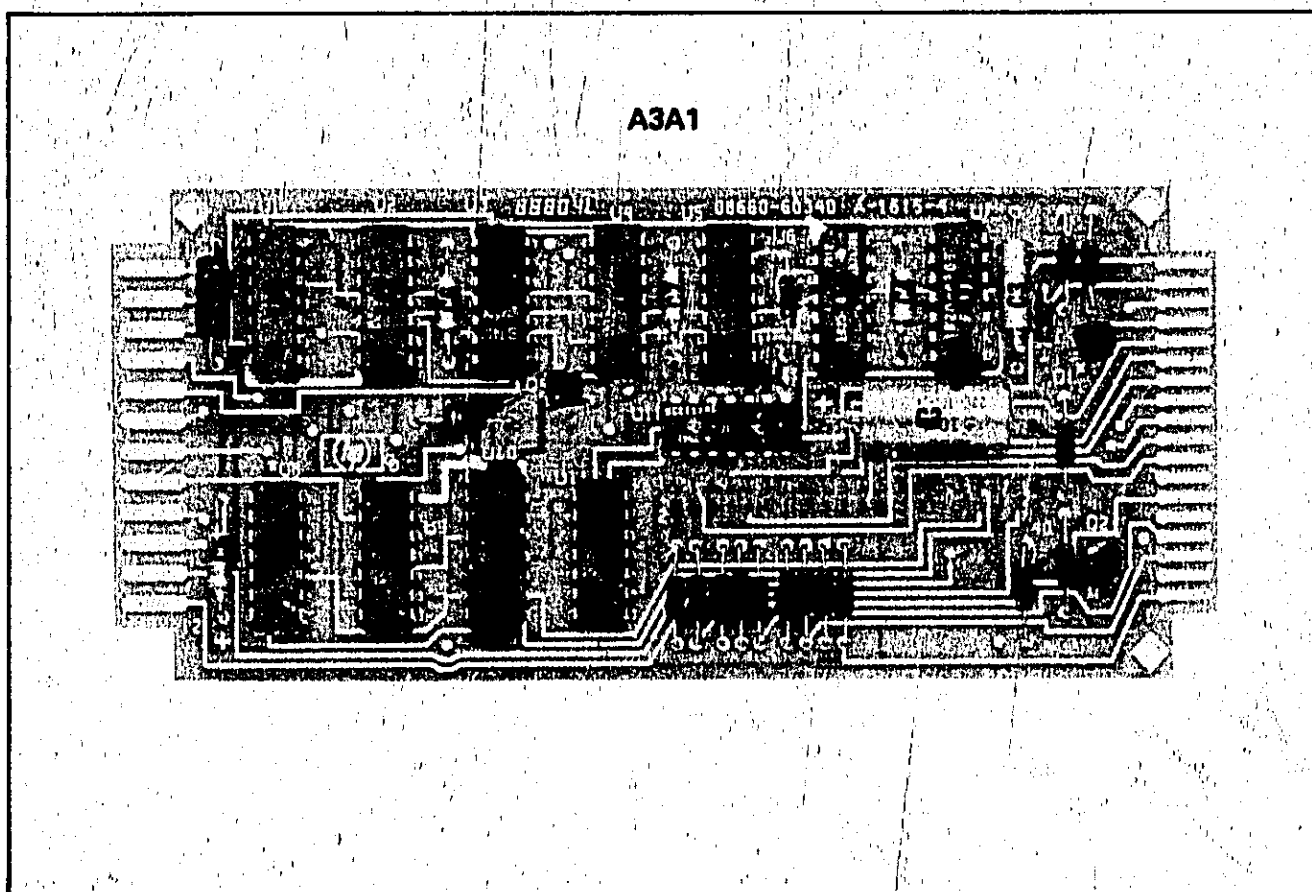


Figure 7-13. Front Output Interface Board Component Location Backdating (Part of Change P)

Table 7-7. Replaceable Parts Backdating (Part of Change P)

Reference Designation	HP Part Number	Qty	Description
A3A1	08660-60340	1	ASSEMBLY, FRONT INTERFACE (EXCEPT OPTION 005)
A3A1C1	0160-0154	1	CAPACITOR-FXD; 2200 pF \pm 10% 200 WVDC POLYE
A3A1C2	0180-2208		CAPACITOR-FXD; 220 UF \pm 10% 10 VDC TA
A3A1C3	0180-1746		CAPACITOR-FXD; 15 UF \pm 10% 20 VDC TA-SOLID
A3A1C4	0180-0373		CAPACITOR-FXD; 0.68 UF \pm 10% 35 VDC TA
A3A1C5	0180-0197		CAPACITOR-FXD; 2.2 UF \pm 10% 20 VDC TA
A3A1C6	0180-0197		CAPACITOR-FXD; 2.2 UF \pm 10% 20 VDC TA
A3A1C7	0180-0197		CAPACITOR-FXD; 2.2 UF \pm 10% 20 VDC TA
A3A1CR1	1901-0539		DIODE-SCHOTTKY
A3A1CR2	1901-0040		DIODE-SWITCHING 30V 50 NA 2 NS 00-35
A3A1Q1	1853-0020		TRANSISTOR PNP SI PD=30 MW FT=150 MHZ
A3A1Q2	1854-0071		TRANSISTOR NPN SI PD=300 MW FT=200 MHZ
A3A1Q3			NOT ASSIGNED
A3A1Q4	1854-0071		TRANSISTOR NPN SI PD=300 MW FT=200 MHZ
A3A1R1	0698-3157		RESISTOR 19.6K 1% .125W F TC=0 \pm 100
A3A1R2	0698-3157		RESISTOR 19.6K 1% .125W F TC=0 \pm 100
A3A1R3	0757-0442		RESISTOR 10K 1% .125W F TC=0 \pm 100
A3A1R4	0757-0442		RESISTOR 10K 1% .125W F TC=0 \pm 100
A3A1R5	0757-0442		RESISTOR 10K 1% .125W F TC=0 \pm 100
A3A1R6	0757-0442		RESISTOR 10K 1% .125W F TC=0 \pm 100
A3A1R7	0757-0442		RESISTOR 10K 1% .125W F TC=0 \pm 100
A3A1R8	0757-0399		RESISTOR 82.5 1% .125W F TC=0 \pm 100
A3A1R9	0757-0399		RESISTOR 82.5 1% .125W F TC=0 \pm 100
A3A1R10	0757-0399		RESISTOR 82.5 1% .125W F TC=0 \pm 100
A3A1R11	0757-0399		RESISTOR 82.5 1% .125W F TC=0 \pm 100
A3A1R12	0757-0399		RESISTOR 82.5 1% .125W F TC=0 \pm 100
A3A1R13	0757-0399		RESISTOR 82.5 1% .125W F TC=0 \pm 100
A3A1R14	0757-0399		RESISTOR 82.5 1% .125W F TC=0 \pm 100
A3A1R15	0757-0399		RESISTOR 82.5 1% .125W F TC=0 \pm 100
A3A1R16	0757-0399		RESISTOR 82.5 1% .125W F TC=0 \pm 100
A3A1U1	1820-0174		IC SN74 04 N INV
A3A1U2	1820-0077		IC SN74 74 N FLIP-FLOP
A3A1U3	1820-0069		IC SN74 20 N GATE
A3A1U4	1820-0054		IC SN74 00 N GATE
A3A1U5	1820-0328		IC SN74 02 N GATE
A3A1U6	1820-0065		IC SN74 70 N FLIP-FLOP
A3A1U7	1820-0207		IC MV
A3A1U8	1820-0072		IC SN74 50 N GATE
A3A1U9	1820-0072		IC SN74 50 N GATE
A3A1U10	1820-0214		IC SN74 42 N DECODER
A3A1U11	1820-0328		IC SN74 02 N GATE
A3A1U12	1820-1056		IC SN74 132 N COUNTER
	1251-2361		A3A1 MISCELLANEOUS CONN-PC

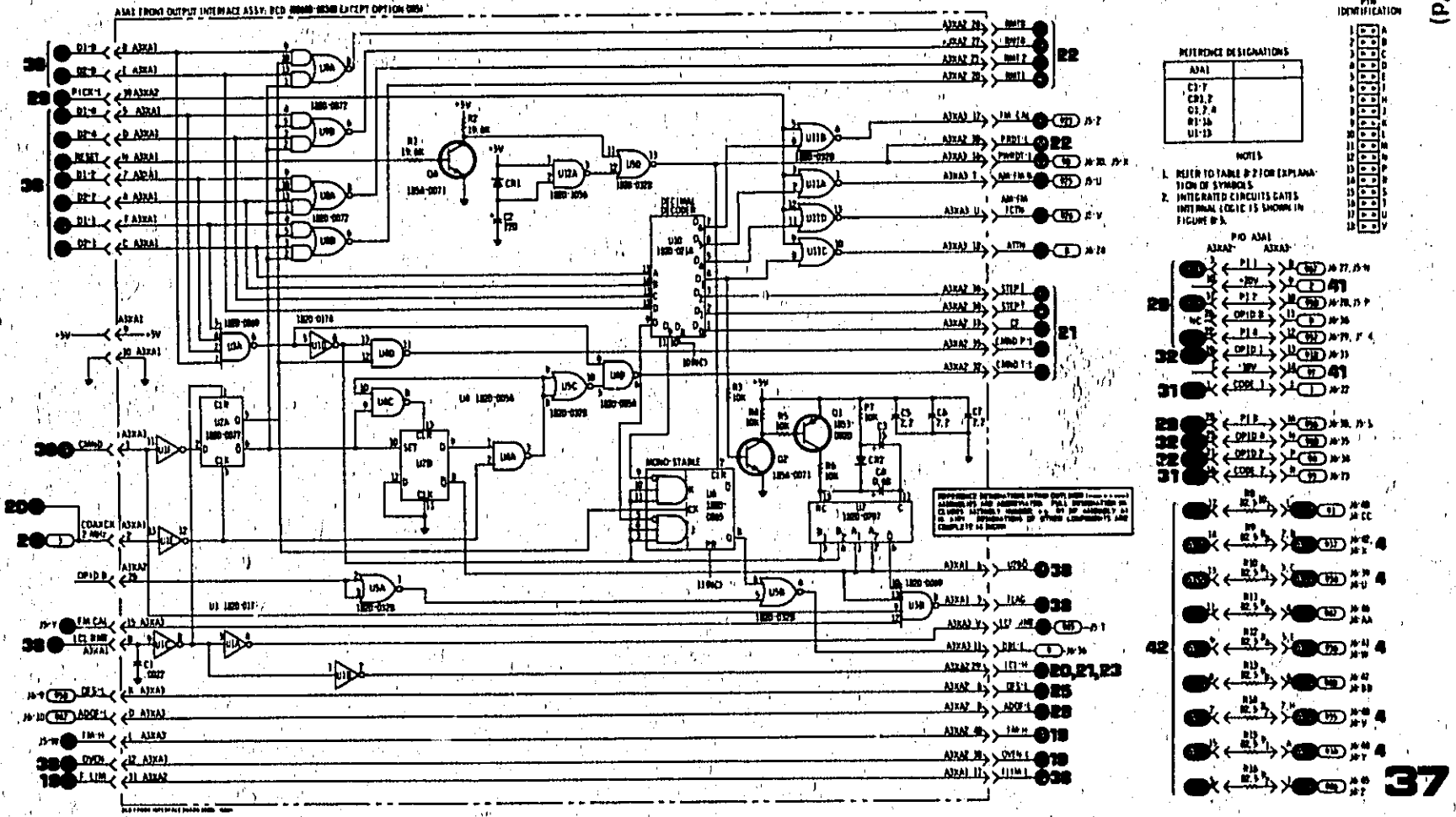


Figure 7-14. Front Interface Board Schematic Backdating (Part of Change P)

MANUAL CHANGES

CHANGE Q

Page 6-5, Table 6-3:

Delete A1A1R25, 0698-7249, RESISTOR 3.48K 2% .05W F TC = 0 ± 100 .

Page 8-131, Figure 8-57 (Service Sheet 19):

Delete R25.

CHANGE R

Page 6-13, Table 6-3:

Delete A1A14R1, R2, R3 and U1.

Change A1A14 to 08660-60114.

CHANGE S

Table 6-3:

Change A5C12 to 0160-2218 CAPACITOR FXD 1000 PF $\pm 5\%$ 300 VDC.

Figure 8-107 (Service Sheet 41):

Change A5C12 to .001.

CHANGE T

No change is necessary.

CHANGE U

Table 6-3:

Change A1A3R11 to 0698-3159 RESISTOR 26.1K 1% .125W F TC = 0 ± 100 .

Figure 8-69 (Service Sheet 24):

Change A1A3R11 to 26.1K.

CHANGE V

Instruments with serial prefix 1810A and below were manufactured with transistor part number 1853-0007, however, the manual reflects the recommended replacement. The parts involved are A8Q8 through A8Q11, A11Q7 through A11Q14, A11Q16 through A11Q20, A12Q8 through A12Q11, A13Q5 through A13Q8, A13Q13 through A13Q16, A17Q11 through A17Q14, A17Q16 through A17Q19, A18Q5 through A18Q13, A18Q16, A18Q17, and A18Q19 through A18Q24.

CHANGE W

Table 6-3:

Change A20 to 08660-60316 Rectifier Assembly

Change A20CR5 to 1901-0364 Diode — FW BRDG 200V 1A.

Delete under CHASSIS PARTS L1.

CHANGE X

Table 6-3:

Delete A1C2

Change to the A3A1 Option 005 and A3A2 Option 005 replaceable parts list provided in Table 7-8 (Part of Change X).

Figure 8-100:

Change to Figure 7-15 provided as (Part of Change X).

Figure 8-101 (Service Sheet 39):

Change to Figure 7-16 provided as (Part of Change X).

Continued

Table 7-8. Replaceable Parts Backdating (Part of Change X)

Reference Designation	HP Part Number	Qty	Description	Mfr Code	Mfr Part Number
ASAJ†	08660-00341	1	OPTION 005 ONLY HP-18 OUTPUT ASSEMBLY	28480	08660-00341
ASAJC1	0180-0197	5	CAPACITOR-PKD 2.2UF±10% 20VDC TA	0420J	150D225K9020A2
ASAJC2	0180-0197	5	CAPACITOR-PKD 2.2UF±10% 20VDC TA	0420J	150D225K9020A2
ASAJC3	0180-0301	1	CAPACITOR-PKD .01UF ±10% 200VDC POLYE	0420J	295P12302
ASAJC4	0180-0373	1	CAPACITOR-PKD .05UF±10% 25VDC TA	0420J	150D054K9035A2
ASAJC5	0180-1746	1	CAPACITOR-PKD 15UF±10% 20VDC TA	0420J	150D154K9020A2
ASAJC6	0180-2208	1	CAPACITOR-PKD 220UF±10% 10VDC TA	0420J	150D227K9010A2
ASAJC81	1901-0040	1	DIODE-SWITCHING 30V 50MA 2ND DC-35	28480	1901-0040
ASAJC82	1901-0040	1	DIODE-PN BRD6 8000V 1A	28480	1901-0040
ASAJJ1	1251-2194	1	CONNECTOR-SBL CONT 8MT .021-IN-SBC-8Z	0138J	3-331272-0
ASAJJ2	1251-2194	1	CONNECTOR-SBL CONT 8MT .021-IN-SBC-8Z	0138J	3-331272-0
ASAJJ3	1251-2194	1	CONNECTOR-SBL CONT 8MT .021-IN-SBC-8Z	0138J	3-331272-0
ASAJD1	1853-0020	1	NOT ASSIGNED	28480	1853-0020
ASAJD2	1853-0020	1	TRANSISTOR PNP 8Z PD=3000W PTYPE=OMZ	28480	1853-0020
ASAJR1	0787-0442	1	RESISTOR 31.6K 1% .125W P YC00±100	0329B	CA11/S-YO-316R-F
ASAJR2	0787-0442	5	RESISTOR 10K 1% .125W P YC00±100	0329B	CA11/S-YO-100R-F
ASAJR3	0787-0442	5	RESISTOR 10K 1% .125W P YC00±100	0329B	CA11/S-YO-100R-F
ASAJR4	0787-0442	5	RESISTOR 10K 1% .125W P YC00±100	0329B	CA11/S-YO-100R-F
ASAJR5	0787-0442	5	RESISTOR 10K 1% .125W P YC00±100	0329B	CA11/S-YO-100R-F
ASAJR6	0787-0442	5	RESISTOR 10K 1% .125W P YC00±100	0329B	CA11/S-YO-100R-F
ASAJR7	0787-0278	2	RESISTOR 1.75K 1% .125W P YC00±100	0329B	CA11/S-YO-175R-F
ASAJR8	0787-0278	2	RESISTOR 1.75K 1% .125W P YC00±100	0329B	CA11/S-YO-175R-F
ASAJR9	0787-0399	9	RESISTOR 22.5 1% .125W P YC00±100	0329B	CA11/S-YO-225R-F
ASAJR10	0787-0399	9	RESISTOR 22.5 1% .125W P YC00±100	0329B	CA11/S-YO-225R-F
ASAJR11	0787-0399	9	RESISTOR 22.5 1% .125W P YC00±100	0329B	CA11/S-YO-225R-F
ASAJR12	0787-0399	9	RESISTOR 22.5 1% .125W P YC00±100	0329B	CA11/S-YO-225R-F
ASAJR13	0787-0399	9	RESISTOR 22.5 1% .125W P YC00±100	0329B	CA11/S-YO-225R-F
ASAJR14	0787-0399	9	RESISTOR 22.5 1% .125W P YC00±100	0329B	CA11/S-YO-225R-F
ASAJR15	0787-0399	9	RESISTOR 22.5 1% .125W P YC00±100	0329B	CA11/S-YO-225R-F
ASAJR16	0787-0399	9	RESISTOR 22.5 1% .125W P YC00±100	0329B	CA11/S-YO-225R-F
ASAJR17	0787-0399	9	RESISTOR 22.5 1% .125W P YC00±100	0329B	CA11/S-YO-225R-F
ASAJU1	1820-0211	3	IC GATE TTL NAND QUAD 2-IMP	0223C	7400PC
ASAJU2	1820-0228	3	IC GATE TTL NAND QUAD 2-IMP	0223C	7400PC
ASAJU3	1820-0054	3	IC GATE TTL NAND QUAD 2-IMP	0223C	7400PC
ASAJU4	1820-0214	1	IC DEOR TTL BCD-TO-DEC 4-IMP	0223C	7400PC
ASAJU5	1820-0134	1	IC INV-TTL MEX 1-IMP	0223C	7400PC
ASAJU6	1820-0379	1	IC FF TTL J-K POS-EDGE-TYRIS DUAL	0149M	84781M
ASAJU7	1820-0076	1	IC FF TTL J-K POS-EDGE-TYRIS DUAL	0149M	84781M
ASAJU8	1820-0372	1	IC GATE TTL NAND QUAD 2-IMP	0223C	7400PC
ASAJU9	1820-0054	1	IC GATE TTL NAND QUAD 2-IMP	0223C	7400PC
ASAJU10	1820-0174	1	IC INV-TTL MEX 1-IMP	0223C	7400PC
ASAJU11	1820-0045	1	IC FF TTL J-K POS-EDGE-TYRIS CLEAR	0149M	84781M
ASAJU12	1820-0338	1	IC INV-TTL AND DUAL 2-IMP	0149M	84781M
ASAJU13	1820-1086	1	IC SCHMITT-TYRIS TTL NAND QUAD 2-IMP	0149M	84781M
			ASAJ MISCELLANEOUS		
	1251-2194	1	CONNECTOR-SBL CONT 8MT .021-IN-SBC-8Z	0138J	3-331272-0
	1251-2194	1	CONTACT-COMM MALE DP8LDR	0138J	90091-2
ASAJ	08660-00192	1	BOARD ASBY, HP-18 INPUT (OPTION 005 ONLY)	28480	08660-00192
ASAJC1	0180-0197	5	CAPACITOR-PKD 2.2UF±10% 20VDC TA	0420J	150D225K9020A2
ASAJC2	0180-0197	5	CAPACITOR-PKD 2.2UF±10% 20VDC TA	0420J	150D225K9020A2
ASAJC3	0180-0197	5	CAPACITOR-PKD 2.2UF±10% 20VDC TA	0420J	150D225K9020A2
ASAJC4	0180-0197	5	CAPACITOR-PKD .01UF ±10% 200VDC POLYE	0420J	295P12302
ASAJC5	0180-0197	5	CAPACITOR-PKD .05UF±10% 25VDC TA	0420J	295P12302
ASAJC6	0180-0197	5	CAPACITOR-PKD .01UF ±10% 200VDC POLYE	0420J	295P12302
ASAJR1	0787-0403	3	RESISTOR 121 1% .125W P YC00±100	0329B	CA11/S-YO-121R-F
ASAJR2	0787-0403	3	RESISTOR 121 1% .125W P YC00±100	0329B	CA11/S-YO-121R-F
ASAJR3	0787-0403	3	RESISTOR 121 1% .125W P YC00±100	0329B	CA11/S-YO-121R-F
ASAJU1	1820-0054	1	IC GATE TTL NAND QUAD 2-IMP	0223C	7400PC
ASAJU2	1820-0021	1	IC FF TTL J-K POS-EDGE-TYRIS DUAL	0223C	7400PC
ASAJU3	1820-0511	1	IC GATE TTL NAND QUAD 2-IMP	0223C	7400PC
ASAJU4	1820-0070	1	IC GATE TTL NAND 2-IMP	0223C	7400PC
ASAJU5	1820-0070	1	IC GATE TTL NAND 2-IMP	0223C	7400PC
ASAJU6	1820-0174	1	IC INV-TTL MEX 1-IMP	0223C	7400PC
ASAJU7	1820-1053	1	IC SCHMITT-TYRIS TTL MEX 1-IMP	0149M	84781M
ASAJU8	1810-0136	1	NETWORK-RES 10-PIN-8IP .1-IN-8PC	28480	1810-0136
ASAJU9	1820-0077	1	IC FF TTL D-TYPE POS-EDGE-TYRIS CLEAR	0223C	7400PC
ASAJU10	1820-0511	1	IC GATE TTL AND QUAD 2-IMP	0223C	7400PC

See introduction to this section for ordering information
 † FOR BACKDATING, SEE TABLE 7-1.

Table 7-8. Replaceable Parts Backdating (Part of Change X)

Reference Designation	HP Part Number	Qty	Description	Mfr Code	Mfr Part Number
AS2U11 AS2U12 AS2U13 AS2U14	1220-0174 1220-0070 1220-1033 1210-0136		IC INV TTL HEX 1-INP IC GATE TTL NAND 8-INP IC SCHMITT-TRIG TTL HEX 1-INP NETWORK-RES 10-PIN-DIP, 15-PIN-SOCS	02238 02238 01404 22480	7404PC 7404PC 84741AM 1210-0136
J3A1	02660-20187	1	CABLE, ADAPTER, MP-ID(INCL. MPI - MP2)	22480	02660-20187
J3A1MP1	0390-1036	2	STANDOFF-HEX .250LG 0-32TMD .518A/P STL	22480	0390-1036
J3A1MP2	1251-0403	2	CONNECTOR 34-PIN M MICRO RIBBON	02071	97-10340-375
J3A1MP3	1251-3203	2	CONNECTOR 24-PIN F MICRO RIBBON	22480	1251-3203
J3A1MP4	02660-00060	2	MOUNT, MPID CONNECTOR	22480	02660-00060
J3A1MP5	02660-20165	2	COVER, MP-ID ADAPTER	22480	02660-20165
J3A1MP6	02660-20166	2	SPACER, CONNECTOR	22480	02660-20166

OPTION 005

See introduction to this section for ordering information

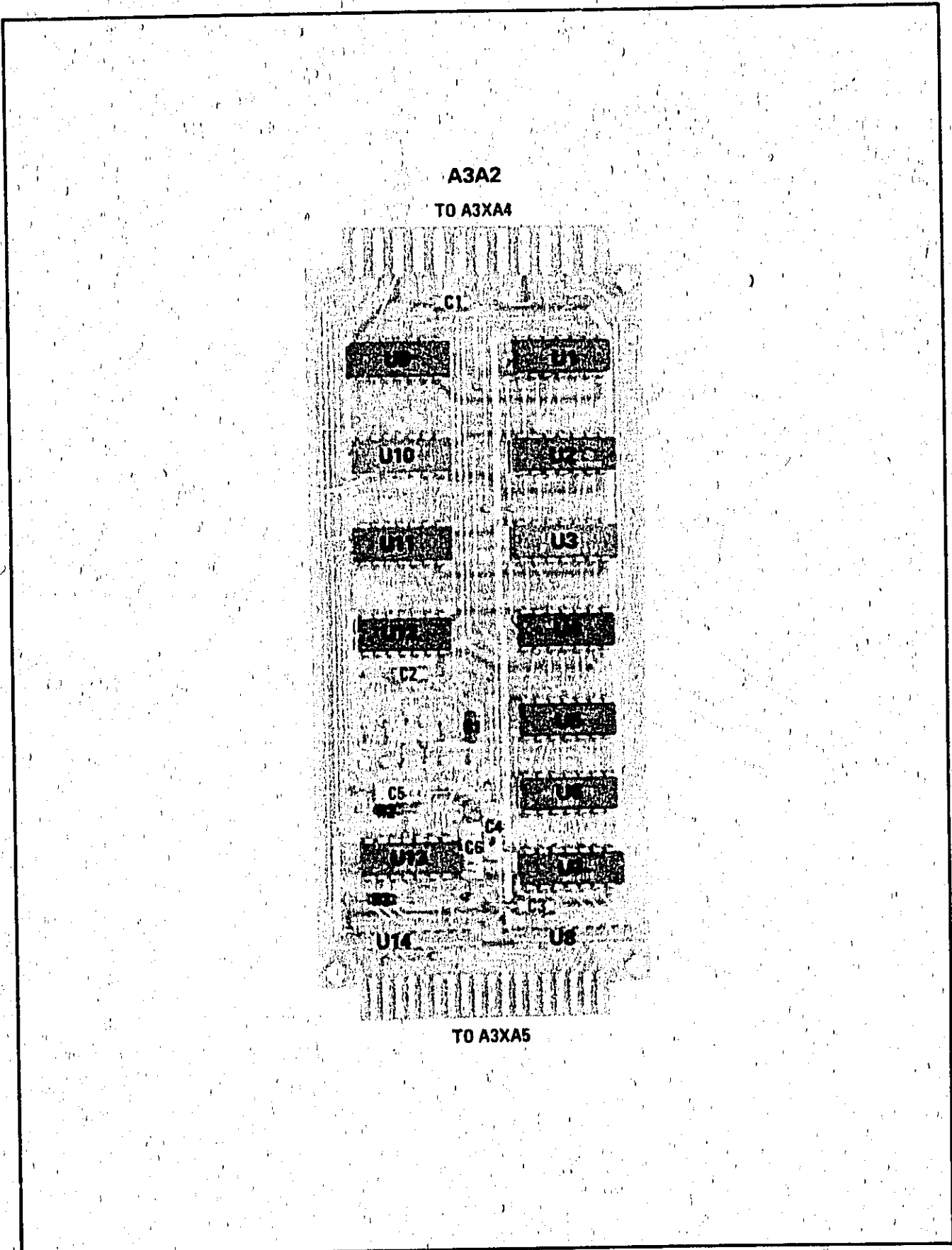


Figure 7-15. Option 005 A3A2 Component Locations Backdating (Part of Change X)

7-30

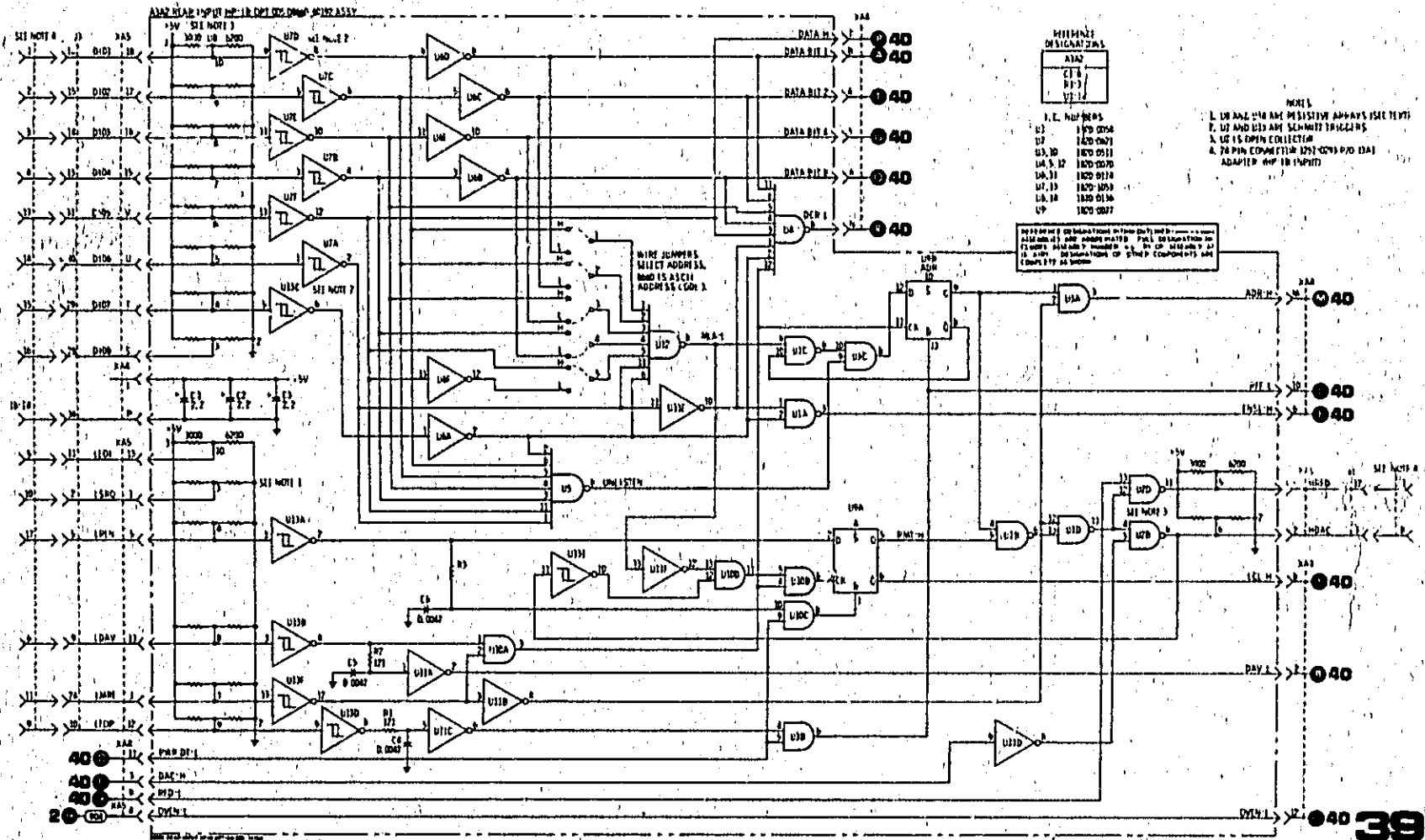


Figure 7-16. A3A2 Rear Input HP-IB Option 005 Backdating Schematic (Part of Change X)

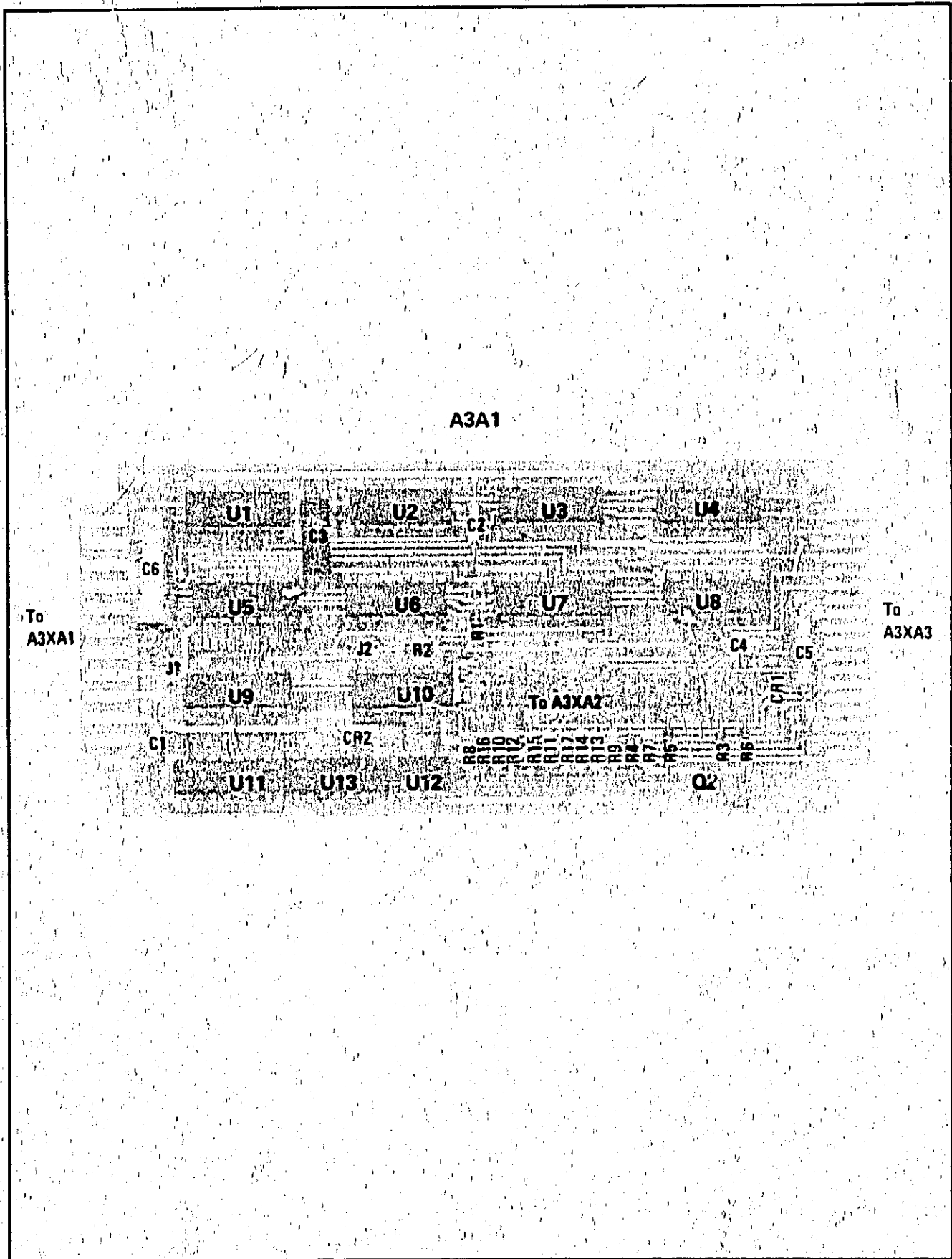


Figure 7-17. Option 005 A3A1 Component Locations Backdating (Part of Change X)

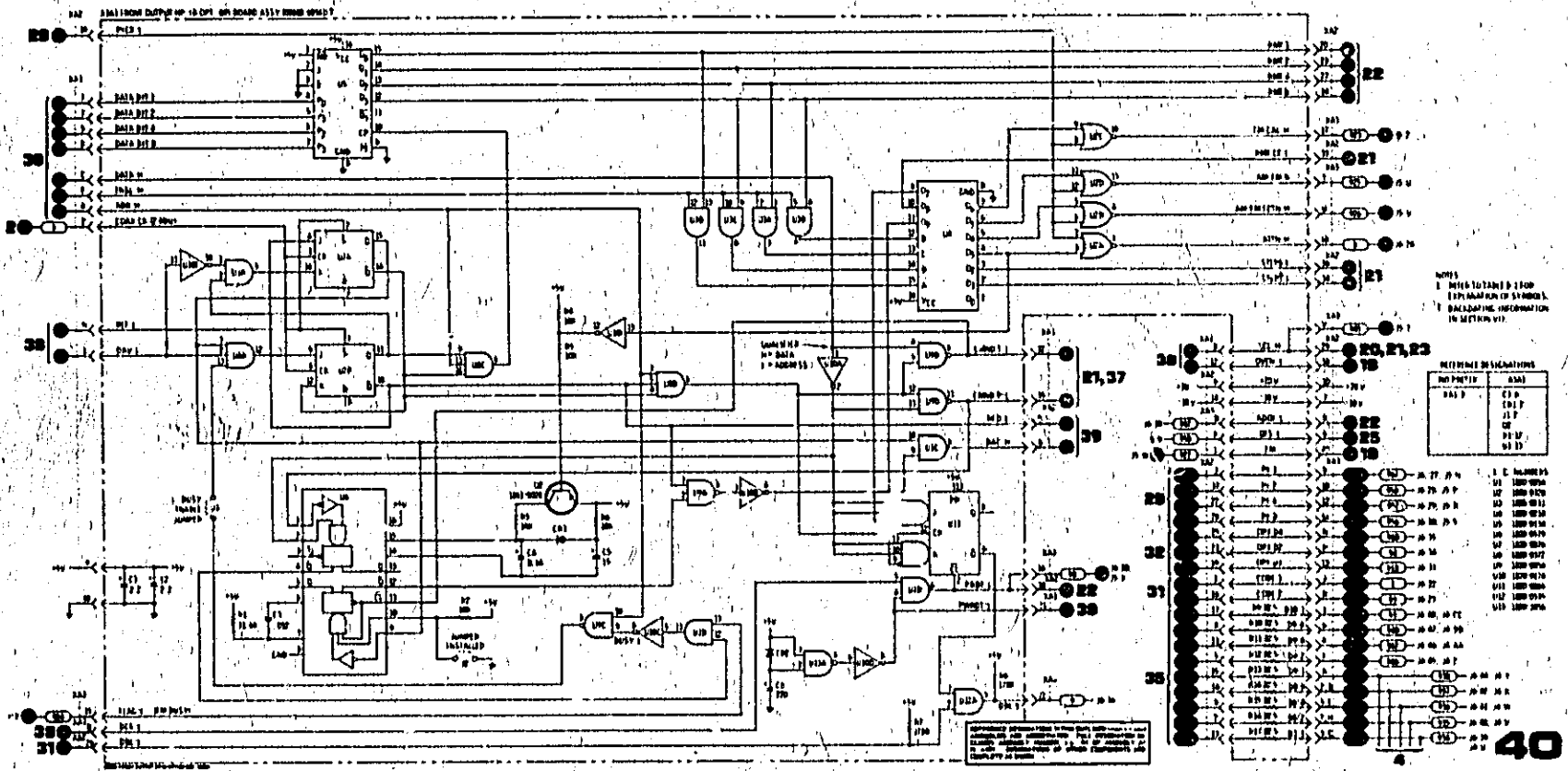


Figure 7-18. A3A1 Front Output HP-IB Opt. 005 Backdating Schematic (Part of Change X)

MANUAL CHANGES

CHANGE X (Cont'd)

Figure 8-102:

Change to Figure 7-17 provided as (Part of Change X).

Figure 8-103 (Service Sheet 40):

Change to Figure 7-18 provided as (Part of Change X).

Figure 8-109 (Service Sheet 42):

Delete A1C2 1 μ F capacitor.**CHANGE Y**

Table 6-3 and Figure 8-77 (Service Sheet 28):

Delete A1A5C7

CHANGE Z

Table 6-3 and Figure 8-29 (Service Sheet 6):

Delete A4A5FL2.

CHANGE AA

Table 6-3 and Service Sheets 8, 10, 12, 14, 17:

NOTE

The parts originally used in these instruments are as follows. However, the parts already listed in Table 6-3 are recommended if replacement is needed. Therefore, no manual change is recommended.

A8L5	9100-2815
A11L8	9100-2815
A13L5	9100-2815
A17L6	9100-2815
A19L6	9100-2815

CHANGE AB

Delete Figure 3-5.

Page 6-17, Table 6-3:

Change A3A2 to 08660-60367 CD8 (same description).

Delete A3A2S1.

Page 8-171, Figure 8-100:

Replace Figure 8-100 with Figure 7-19, A3A2 Component Locations, on next page.

Page 8-171, Figure 8-101 (Service Sheet 39):

Remove S1 Designator. Replace solid line switch connections with dashed line wire jumper connections.

Add notation: WIRE JUMPER SELECT ADDRESS.

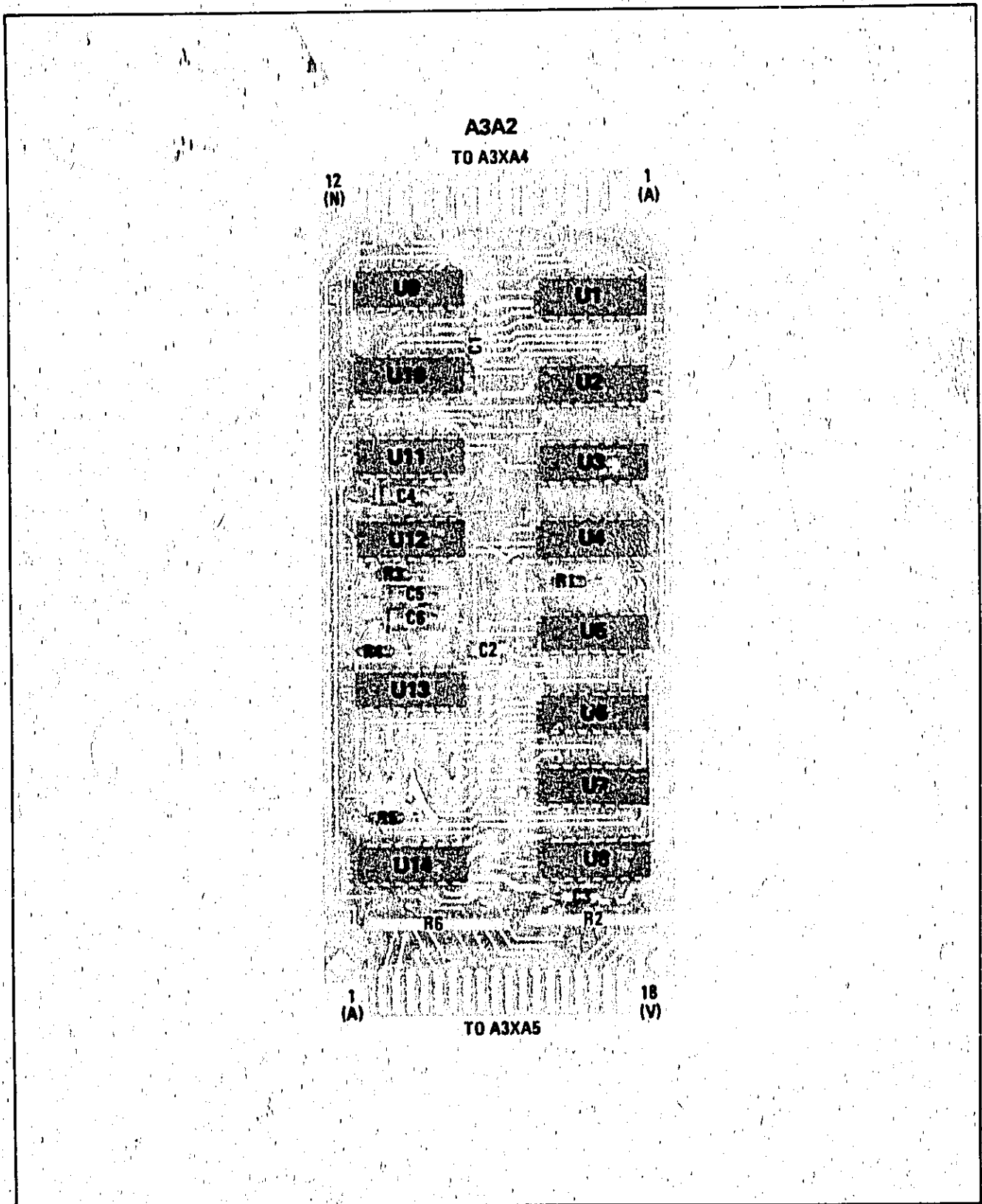


Figure 7-19. Option 005 A3A2 Component Locations Backdating
(Part of Change AB)

CHANGE AC

NOTE

The parts originally used in these instruments are listed below. However, changing all four parts to those listed in Table 6-3 may result in better capture range of the 100 MHz reference loop.

A4A2R42 100 to 316 Ohms
A4A3C16 180 pF
A4A3C17 100 pF
A4A3C19 110 pF

Continued

INSTRUMENT MODIFICATIONS

7-7. INSTRUMENT IMPROVEMENT MODIFICATIONS

7-8. Hewlett-Packard has developed certain recommended instrument modifications that can be used to improve the performance and reliability of earlier versions of the 8660C. In some cases, replacing certain parts requires a modification to make these instruments compatible with parts now in use (if the original part is no longer available). These modifications are outlined in the following procedures and are keyed to instruments by serial number prefix.

7-9. Improvement in Filtering of Reference Signal From Crystal Oscillator is Added to the A22 Reference Switch Assembly (Serial Prefixes 1416)

7-10. In instruments with serial prefix 1416, a filter for the crystal reference oscillator must be added. Mechanical vibrations cause spurious signals at 600 to 800 Hz away from the carrier and are filtered with the addition of this change.

7-11. Addition of Shock Mounting for the A21 Reference Oscillator Assembly (Serial Prefixes 1504 and below)

7-12. In instruments with serial prefix 1504 or below a shock mounting pad is added to the Reference Oscillator Assembly. A foam pad is added to reduce mechanical fan vibration from reaching the Reference Oscillator Assembly.

7-13. Improvement in FM Distortion While in FM MODE with the Addition of A4A8 (Serial Prefixes 1508 and below)

7-14. In instruments with serial prefix 1508 or below a reduction in spurious output from the 100 MHz VCO reference is necessary. In the FM mode this spurious causes FM distortion. A bandpass filter, A4A8, is added to the 100 MHz HF-VCO Reference output causing added attenuation to the 20 MHz sidebands out of the VCO.

7-15. Improvement in Reliability of Power Supply Assemblies Under all Environmental Conditions (Serial Prefixes 1520 and below)

7-16. In instruments with serial prefix 1520 or below, modifications to the power supply assemblies

must be added. A redesign of the rectifier board A20 plus component modifications on the pre-regulator A6A1, regulator A5 and fan assemblies was made for optimum reliability. Use A20 Rectifier Assembly HP part number 08660-60335.

7-17. Improvement in the Adjustment of Reference Loop Bandwidth and Capture Range (Serial Prefixes 1538 and below)

7-18. In instruments with serial prefix 1538 or below, add a factory selected component (star value) A4A4C10. Capacitor is selected to compensate for parameter variations in A4A4Q3, the reference VCO transistor. The reference loop bandwidth and capture range can be brought into tolerance with the selection of this capacitor. A4A2C11 interacts with A4A4C10 and also affects the bandwidth and capture range.

7-19. Improvement in Tuning the 10 MHz Trap on the \emptyset Error Line and Changing Current Limit of the +5.25V Power Supply (Serial Prefixes 1542 and below)

7-20. In instruments with serial prefix 1542 or below, add changes to power supply regulator and fan relay assemblies. To tune the A4A6 10 MHz trap A4A6C6 is assigned as a starred factory selected value with a range of values from 16 to 24 pF.

7-21. Improvement in Reliability with Higher Wattage Resistor (Serial Prefixes 1548 and below)

7-22. In instruments with serial prefix 1548 or below, add a higher wattage resistor A4A2R11. The resistor dissipates .9W and the new part is rated for 2W.

7-23. Improvement in Reduction of Spur (Serial Prefixes 1615 and below)

7-24. In instruments with serial prefix 1615 or below, change A1A11 C2 and C3 to .047 μ F. The larger capacitance will decrease a 2 MHz spur associated with the mainframe.

7-25. Improvement in Power Detect Circuitry (Serial Prefixes 1629 and below)

7-26. In Option 005 instruments with serial prefix 1629 or below, add new Front Interface Board As-

INSTRUMENT MODIFICATIONS

sembly. Due to variances in the circuit, the power detect often releases the power detect line before voltages are at an acceptable level to power the integrated circuits on the DCU. The new assembly has power detect circuitry that is time dependent rather than voltage sensing.

7-27. Improvement in Power Detect Circuitry (Serial Prefixes 1633 and below)

7-28. In instruments with serial prefix 1633 or below, add new Front Interface Board Assembly. The new board replaces a voltage sensing circuit with a timing circuit allowing an additional second for power to reach the necessary level before the power detect line releases.

7-29. Elimination of Voltage Spikes (Serial Prefixes 1636 and below)

7-30. In instruments with serial prefix 1636 or below add diode A20CR8 to prevent voltage spikes caused by relays A20K1 and K2.

7-31. Elimination of Race Condition (Serial Prefixes 1638 and below)

7-32. In instruments with serial prefix 1638 or below, add A1A8C4 to eliminate a race condition. There are a few nanoseconds when both Q100-H and U13 pin 12 are low, causing a pulse on U10 pins 4 and 5 simultaneously. This illegal condition propagates to pins 12 and 13 and similarly through U5 causing U3C/U3D flip-flop to set.

7-33. Regulation of the +30V Supply to the Reference Oscillator Oven (Serial Prefixes 1643 and below)

7-34. In instruments with serial prefix 1643 or below, add a 30V Regulator Board Assembly, A25. Service Kit 08660-60354 has required parts for charge. The unregulated 30V output of the A20 Rectifier Board Assembly is used directly as the 30 volt supply for the oven of the A21 Reference Oscillator Assembly. When the 8660 is in standby, the voltage on this line can rise as high as 39 volts. The input voltage for the supply should not go above 33 volts and adding the regulator controls this voltage.

7-35. Improvement in Filtering of the -10V Supply (Serial Prefixes 1702 and below)

7-36. In instruments with serial prefix 1702 or below, changing A4A5C16 and C22 (Service Sheet 6) will help filter the 1 and 2 MHz noise from the DCU clock signals on the -10V power supply. This filtering reduces the 1 and 2 MHz spurs that are present at the 350/450 VCO output.

7-37. Elimination of a Race Condition on the A1A8 Sweep Control Assembly (Serial Prefixes 1707 and below)

7-38. In instruments with serial prefix 1707 or below, a race condition may exist in the sweep control. To eliminate this race condition a new A1A8 Sweep Control Board Assembly has been designed. The race condition exists when Q100-H is high; the count down and count up inputs of U10 are normally high. When Q100-H goes low there is a delay before U13F pin 12 goes high. This causes a momentary low on both the count up and count down inputs of U10. This simultaneous count down and count up pulse is an illegal input which causes the BOR and CAR outputs to go simultaneously low. This applies a simultaneous count up and down to U5 and its CAR output sets the U3C, U3D latch. The elimination of the race condition is accomplished by changing U2 to a multiplexer which is strobed only when CKA-H and CKB-H are high.

7-39. Improvement in Data Transfer on A3A1 Front Interface Board Assembly (Serial Prefixes 1709 and below)

7-40. In instruments with serial prefix 1709 or below a change in the time at which U6 is loaded. U6 is loaded on the leading edge of the CMND pulse. This does not allow the data sufficient time to get to the J and K inputs of U6. Changing the polarity of the clock pulse causes U6 to be loaded on the trailing edge of the CMND signal. U13 is also being added to this assembly to generate the RF FCTN signal. The new board assembly will be compatible with the 8660A Options H23- and H24 — eliminating the need for 08660-60028.

INSTRUMENT MODIFICATIONS

**7-41. Improvement in Turn-on Status of A1A1
Switch Control Assembly (Serial Prefixes
1722 and below)**

7-42. In instruments with serial prefix 1722 or below, the state of U16A at power on is undefined. The addition of a pull-up resistor R25 at U16 pin 2 ensures that U16 initializes to the reset state. See Service Sheet 20.

SERVICE INFORMATION

SECTION VIII SERVICE

8-1. INTRODUCTION

8-2. This section of the manual is designed to aid the technician in returning the instrument to proper operating condition in the shortest time possible should a malfunction occur in any of the operating circuits.

8-3. PRINCIPLES OF OPERATION

8-4. Operation of the various circuits within the 8660C mainframe are explained beginning with paragraph 8-87. Each of the phase locked loops, the interface circuits and the Digital Control Unit are briefly explained. These circuits are also graphically shown in the System Block Diagram and Service Sheet 1.

8-5. TROUBLESHOOTING

8-6. In general, this section is designed to aid in isolating the assembly, circuit, or Plug-in Section which is causing faulty operation, by a series of tables identified in Table 8-1. The tables listed in Table 8-1 identify the source of trouble and also provide information relative to the schematic (Service Sheet, abbreviated SS) of the defective circuit. These Service Sheets provide the schematic, a pictorial display of component locations, and technical data about the circuits in the assembly.

8-7. Due to the digital design of the Model 8660C, two major troubleshooting aids in this manual are an ASM diagram (Algorithmic State Machine, sometimes called a flow chart) located near the end of this manual and a system of mnemonics (basically a system of abbreviated terms) which serve to reduce clutter in the ASM diagram and in the circuits of the Digital Control Unit (DCU) and interface units. The basic principles of ASM diagrams and an example of ASM diagram appears beginning in paragraph 8-36. Figure 8-5 illustrates a basic ASM diagram (actually a part of the Model 8660C ASM diagram) and describes the use of an ASM diagram in isolating the cause of a malfunction. Mnemonics are described beginning with paragraph 8-71 and listed in Table 8-4. An explanation of the use of mnemonics is included in the first part of Table 8-4.

Table 8-1. 8660C Troubleshooting Tables

No.	Title
8-6	Power Supply Troubleshooting
8-7	Troubleshooting DCU by Assembly Replacement
8-8	DCU and Interface Troubleshooting Guide
8-9	Incorrect Initial Readout
8-10	Center Frequency Readout Faulty
8-11	BCD Data to Mainframe Incorrect
8-12	Readout is Partially Displayed or Incorrect
8-13	Only 1 or 2 Half-Digits Displayed
8-14	Center Frequency Readout Does Not Justify Correctly
8-15	Readout Does Not Justify with only One Units Key
8-16	Either STEP ↑ or STEP ↓ Operation Defective
8-17	Both STEP ↑ and STEP ↓ Defective at the RF Output
8-18	Manual STEP Defective
8-19	Manual Tune Mode Inoperative
8-20	Manual Tune Defective on One Range, Fine, Medium, or Coarse
8-21	Either Up or Down Manual Tune Defective
8-22	Auto Sweep Defective at all Sweep Rates
8-23	Auto Sweep Defective at One Rate
8-24	Single Sweep Defective
8-25	Manual Sweep Defective
8-26	Out-of-Range Indicator Inoperative
8-27	KYBD Pushbutton Readout Defective
8-28	STEP Pushbutton Readout Defective
8-29	Sweep Width Pushbutton Readout Defective
8-30	Remote Control Problems
8-31	Harmonics Excessive Below 1.3 GHz
8-32	Output Frequency is Half Indicated Frequency Above 1.3 GHz
8-33	Troubleshooting Option 005 Interface Problems
8-34	Troubleshooting the Reference Section
8-35	High Frequency Loop Troubleshooting
8-36	Summing Loop 1 Troubleshooting
8-37	Summing Loop 2 Troubleshooting
8-38	N3 Loop Troubleshooting
8-39	N2 Loop Troubleshooting
8-40	N1 Loop Troubleshooting
8-41	Low Frequency Loops Notes

8-8. RECOMMENDED TEST EQUIPMENT

8-9. Test equipment and accessories required to maintain the Model 8660C are listed in Table 1-2. If the equipment listed is not available, equipment that meets the minimum specifications shown may be substituted.

8-10. Also listed in Table 1-2 is Service Kit HP Model 11672A. This kit consists of extension cables, cable adapters and an alignment tool. The items within the kit are listed individually in Table 1-2. The entire kit, or any part within the kit may be ordered separately.

8-11. REPAIR**8-12. Factory Selected Components**

8-13. Some component values are selected at the time of final checkout at the factory (see Table 5-1). Usually these values are not extremely critical, they are selected to provide optimum compatibility with associated components. These components are identified on individual schematics by an asterisk (*). The recommended procedure for replacing a factory-selected component is shown in Section V of this manual.

8-14. Board Repair.

8-15. Etched Circuits. The etched circuit boards in the Synthesized Signal Generator are of the plated-through type consisting of metallic conductors bonded to both sides of insulating material. The metallic conductors are extended through the component mounting holes by a plating process. Soldering can be done from either side of the board with equally good results. Table 8-2 lists recommendations and precautions pertinent to etched circuit repair work.

a. Avoid unnecessary component substitution; it can result in damage to the circuit board and/or adjacent components.

b. Do not use a high-power soldering iron on etched boards. Excessive heat may lift a conductor or damage the board.

c. Use a suction device (Table 8-2) or wooden toothpick to remove solder from component mounting holes. **DO NOT USE A SHARP METAL OBJECT SUCH AS AN AWL OR TWIST**

DRILL FOR THIS PURPOSE. SHARP OBJECTS MAY DAMAGE THE PLATED-THROUGH CONDUCTOR.

d. After soldering, remove excess flux from the soldered areas and apply a protective coating to prevent contamination and corrosion. (Avoid getting flux remover on the printed circuit board extractors.) See Table 8-2 for recommendations.

8-16. Etched Conductor Repair. A broken or burned section of conductor can be repaired by bridging the damaged section with a length of tinned copper wire. Allow adequate overlay and remove any varnish from etched conductor before soldering wire into place.

8-17. Component Replacement. Remove defective component from board.

NOTE

Although not recommended on boards with high-frequency signals or where both sides of a board are accessible, axial lead components, such as resistors and tubular capacitors, can be replaced without unsoldering. Clip leads near body of defective component, remove component and straighten leads left in board. Wrap leads of replacement component one turn around original leads. Solder wrap connection and clip off excess lead.

8-18. If component was unsoldered, remove solder from mounting holes, and position component as original was positioned. **DO NOT FORCE LEADS INTO MOUNTING HOLES:** sharp lead ends may damage plated-through conductor.

8-19. Transistor Replacement. Transistors are packaged in many physical forms. This sometimes results in confusion as to which lead is the collector, which is the emitter, and which is the base. Figure 8-1 shows typical epoxy and metal case transistors and the means of identifying the leads.

8-20. To replace a transistor, proceed as follows:

a. Do not apply excessive heat; see Table 8-2 for recommended soldering tools.

b. If possible, use long-nose pliers between transistor and hot soldering tools.

c. When installing replacement transistors, ensure sufficient lead length to dissipate soldering heat by using about the same length of exposed lead as used for the original transistor.

d. Integrated circuit replacement instructions are the same as for transistors.

8-21. Some transistors are mounted on heat sinks for good heat dissipation. This requires good thermal contact with mounting surfaces. To assure good thermal contact for a replacement transistor, coat both sides with Dow Corning No. 5 silicone compound or equivalent before fastening the transistor to the chassis. Dow Corning No. 5 compound is available in 8 oz. tubes from HP; order HP Part No. 9500-0059.

8-22. **Diode Replacement.** Solid state diodes have many different physical forms. This sometimes results in confusion as to which lead is the anode (positive), since all diodes are not marked with the standard symbols. Figure 8-1 shows examples of some diode marking methods. If doubt exists as to polarity, an ohmmeter may be used to determine the proper connection. It is necessary to know the polarity of the ohms lead for the ohmmeter used. (For the HP Model 410B Vacuum Tube Voltmeter, the ohms lead is negative with respect to the common; for the HP Model 412A DC Vacuum Tube Voltmeter, the ohms lead is positive with respect to the common.) When the ohmmeter indicates the least diode resistance, the cathode of the diode is connected to the ohmmeter lead which is negative with respect to the other lead.

NOTE

Replacement instructions for diodes are the same as those listed for transistors.

8-23. **Illustrated Parts Breakdown (IPB's).** Figure 6-1 and Figure 6-2 show IPB's for the Cabinet Parts and the inside of the DCU front panel.

8-24. MODULE EXCHANGE

8-25. Assemblies are no longer available on an exchange-for-credit basis.

8-26. SAFETY REQUIREMENTS

8-27. Safety requirements are listed on page vii (directly preceding Section I). They are also called out where required in the Manual.

8-28. SERVICE AIDS

8-29. **Posidriv Screddrivers.** Many of the screws in the instrument appear to be Phillips, but are not. To avoid damage to the screw slots, Pozidriv screwdrivers should be used.

8-30. **Extender Boards.** Extender boards are furnished (accessory part number 08660-60070). These boards and other furnished assemblies are listed in Section I of this Manual. The extender boards may be used to extend any plug-in board free of the chassis for maintenance. Figure 8-3 shows a typical use of the extender board for maintenance purposes.

8-31. **Part Locator Aids.** The locations of chassis mounted parts and assemblies are shown in Figure 8-131. The locations of individual components mounted on printed circuit boards or other assemblies are shown on the appropriate schematic page or the page opposing it. The part reference designator is the assembly number followed by the schematic reference designator (for example, A6R9 is R9 on the A6 assembly). For specific component description and ordering information refer to the parts list in Section VI.

8-32. **Assembly Adjustment Locations.** Near the rear cover of this Manual is a series of Figures which locate the adjustments for all assemblies. These Figures are referred to in each of the adjustment procedures in Section V.

8-33. **Servicing Aids on Printed Circuit Boards.** The servicing aids include test points, transistor and integrated circuit designations, adjustment callouts and assembly stock numbers.

8-34. Table 8-3 (two sheets) Schematic Diagram Notes, provides information relative to symbols and values shown on the schematic diagrams.

8-35. Figures 8-3 and 8-4 illustrate the method used to number the connectors used on the printed circuit boards.

8-36. ALGORITHMIC STATE MACHINES (ASM's)

8-37. ASM diagrams, sometimes called flow graphs, are the most practical approach to under-

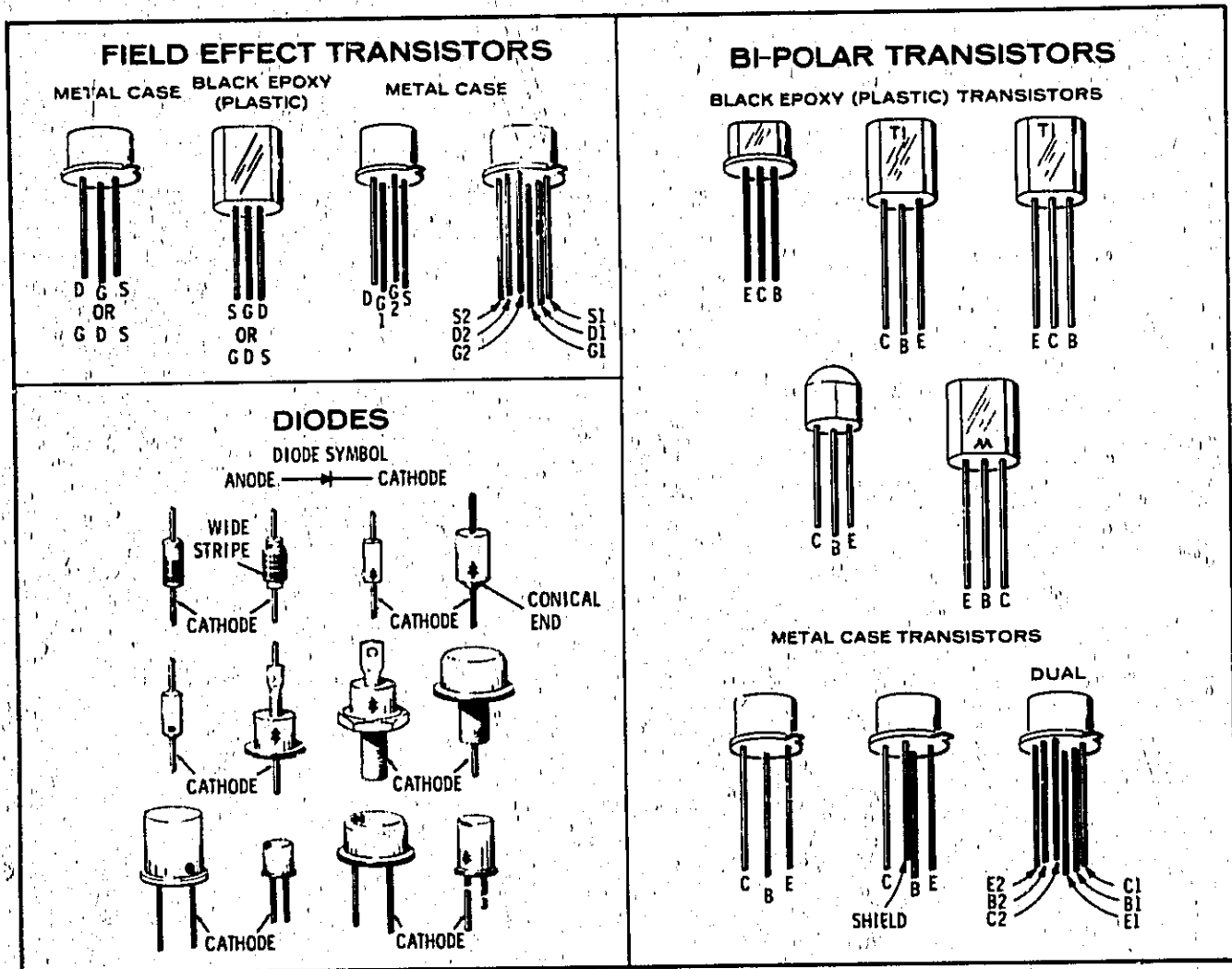


Figure 8-1. Examples of Diode and Transistor Marking Methods

Table 8-2. Etched Circuit Soldering Equipment

Item	Use	Specification	Item Recommended	HP Part No.
Soldering Tool	Soldering, Heat Staking	Wattage: 35W Tip Temp.: 390°-440°C (735°-825°F)	Ungar No. 135 Ungar Division Eldon Ind. Corp. Compton, CA 90220	8690-0167
Soldering Tip	Soldering, Unsoldering	Shape: Chisel	Ungar PL113	8690-0007
Soldering Tip	Heat Staking	Shape: Cupped	HP 5020-8160 or modified Ungar PL111	5020-8160
De-Soldering Aid	To remove molten solder from connection	Suction Device	Soldapullt by Edsyn Co., Van Nuys, CA 91406	8690-0060
Rosin (flux) Solvent	To remove excess flux from soldered area before application of protective coating	Must not dissolve etched circuit base board	Freon	8500-0232
Solder	Component replacement; Circuit Board repair wiring	Rosin (flux) core, high tin content (63/37 tin/lead), 18 gauge (SWG) 0.048 in. diameter preferred.		8090-0607
Silver Solder	Mono-block replacement	Rosin (flux) core, silver saturated tin/lead alloy 0.031 in. diameter.	X25 Rosin Core DIVCO 233 Division Lead Co. Summit, IL 60501	8090-0022
<p>* For working on circuit boards; for general purpose work, use No. 555 Handle (8690-0261) and No. 4037 Heating Unit 47½ - 56½ W (HP 8690-0006); tip temperature of 850° - 900°F; and Ungar No. PL113 1/8" chisel tip.</p>				

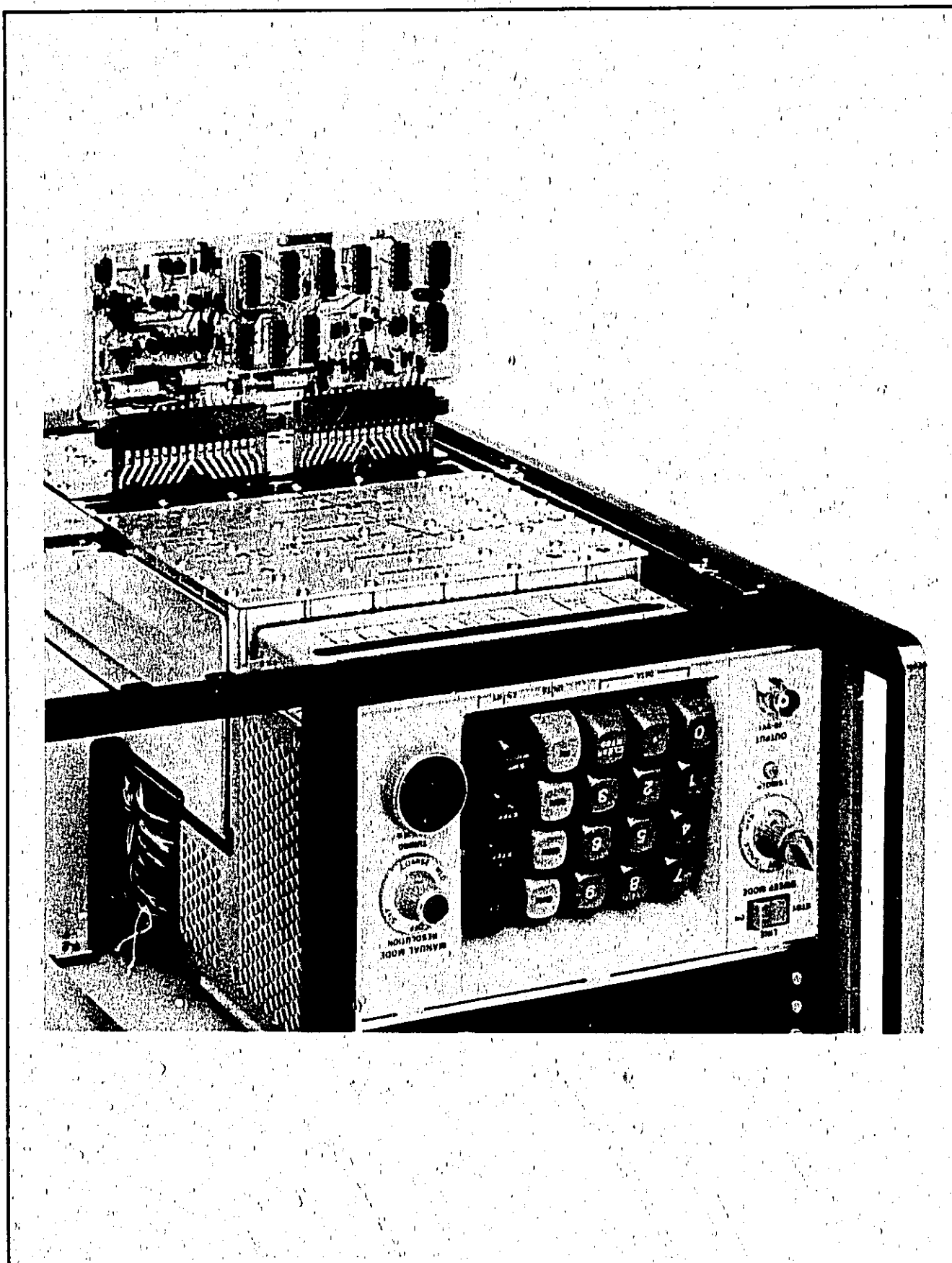


Figure 8-2. Model 8660C With Circuit Board Extended for Maintenance

Table 8-3. Schematic Diagram Notes (1 of 2)




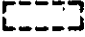




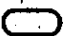







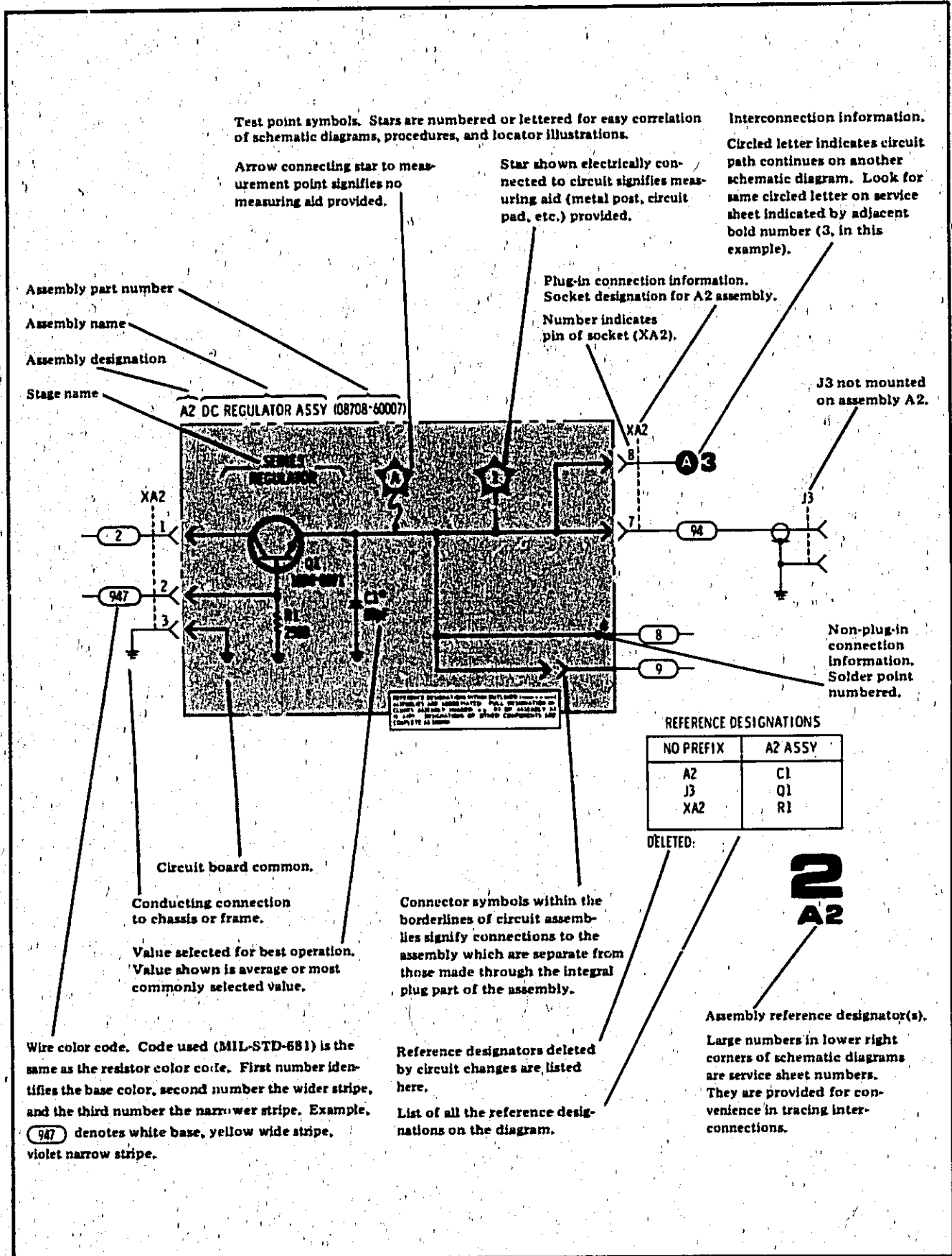
SCHEMATIC DIAGRAM NOTES	
	Inductance is in microhenries, Resistance is in ohms and Capacitance is in microfarads unless otherwise noted.
P/O	part of
	Screwdriver Adjustment
	Panel Control
	Encloses Front Panel designations
	Encloses Rear Panel designations
	Circuit assembly borderline
	Other assembly borderline
	Wiper moves toward CW with clockwise rotation of control as viewed from shaft or knob.
	Numbers in stars on circuit assemblies show locations of test points.
	Encloses wire color code. Code used (MIL-STD-681) is the same as the resistor color code. First number identifies the base color, second number the wider stripe, and the third number the narrower stripe. Example:  denotes white base, yellow wide stripe, violet narrow stripe.
	Indicates an output from a schematic that goes to an input identified as  on Service Sheet 2.
	Indicates an input to a schematic that comes from an output identified as  on Service Sheet 6.
NOTE	
When the above two symbols appear within the borderline of a schematic, they indicate a connection within the borderline of the referenced schematic.	
	Indicates circuit ground.
	Backdating information in Section VII.

Table 8-3. Schematic Diagram Notes (2 of 2)



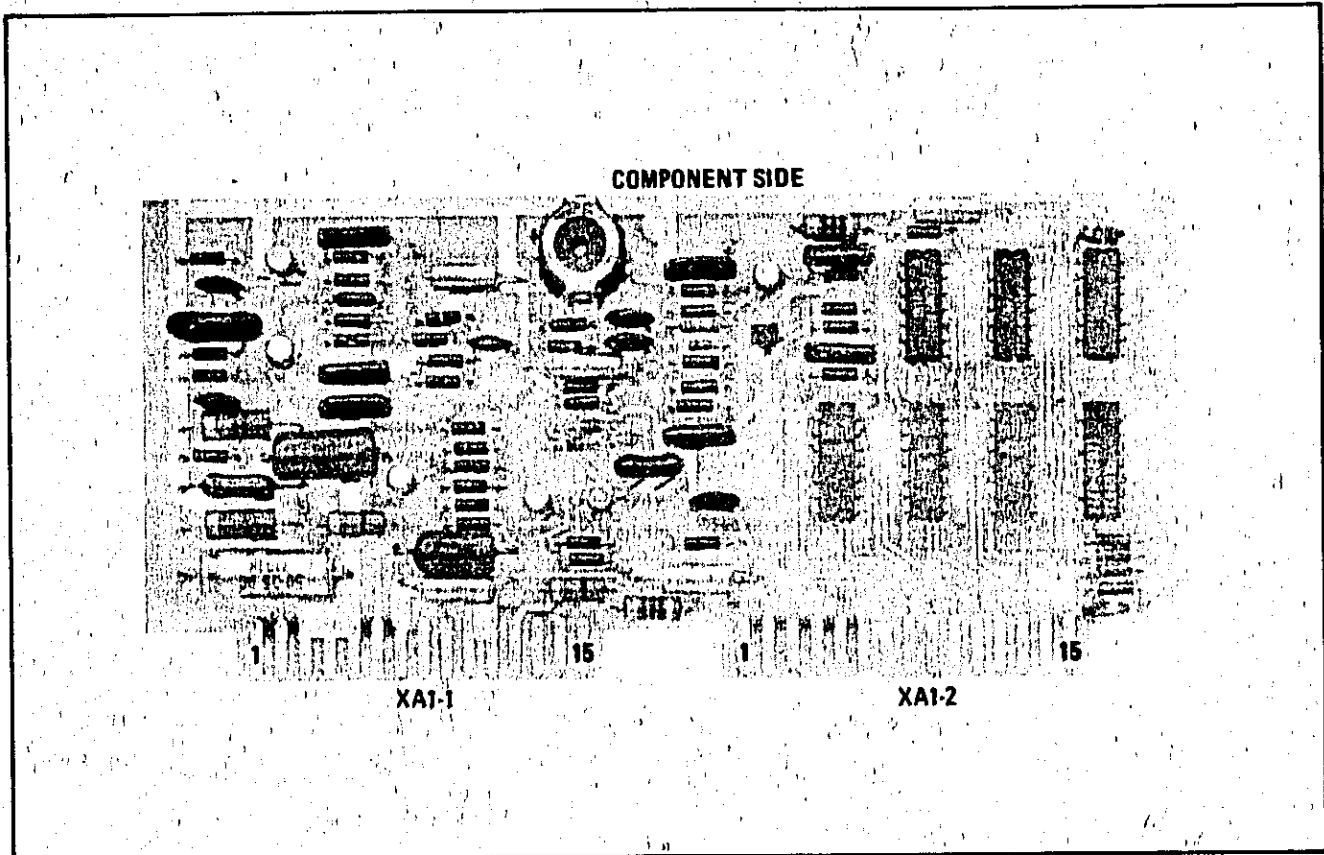


Figure 8-3. Printed Circuit Board Connector Identification, Component Side

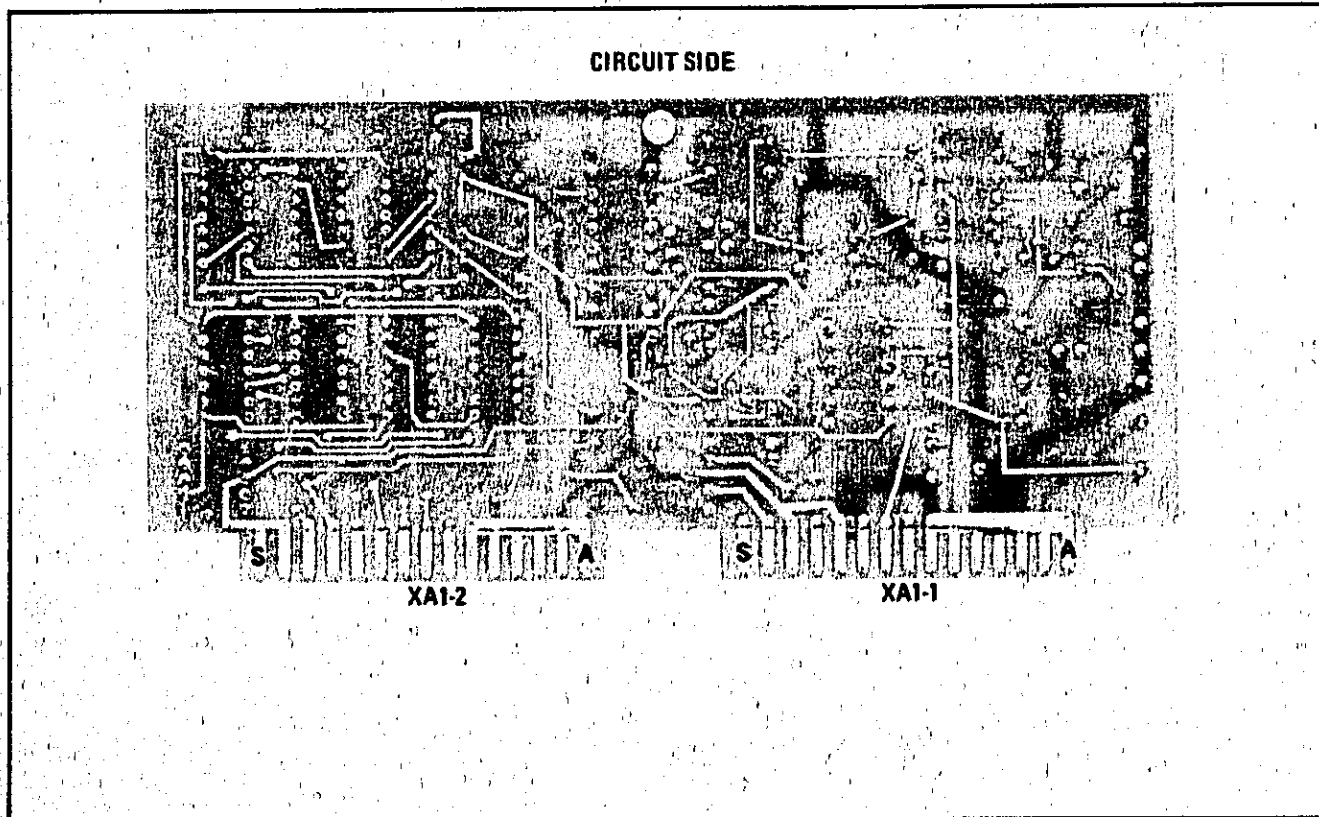


Figure 8-4. Printed Circuit Board Connector Identification, Circuit Side

standing circuitry as complex as that in the Model 8660C DCU.

DEFINITIONS:

Algorithm: A fixed step-by-step procedure for finding the solution to a problem.

State: A condition, or a set of conditions which exist at a given point in time.

8-38. ASM diagrams are particularly valuable in servicing the Model 8660C because built-in test features permit the technician to set the DCU to any state. Seven LED's verify or deny that the DCU is in the state selected. The DCU may be held in the selected state, manually stepped to succeeding states or reset to any other state. This is accomplished by temporarily grounding selected Test Points or operating the MAN SW in the self-test facilities.

8-39. Figure 8-5 represents a portion of the overall DCU ASM which is shown in its entirety in Figure 8-112. The following description of the information shown in Figure 8-5 is equally applicable to the overall ASM diagram.

8-40. The mnemonics (Table 8-4) in the state (rectangular) boxes and the qualifier (diamond shaped) boxes are not truly representative of specific electrical points in the circuit; the function represented by the mnemonic may appear at many points in the DCU. Table 8-4, mnemonics information, will enable the technician to quickly locate the points in the DCU where the function appears. The -H (>+2.8V) or the -L (<+0.8V) following the mnemonics indicates that the function is High or Low in the assertive (active) state.

8-41. The lines connecting the qualifiers and the states are not representative of electrical connections. Their purpose is to provide information as to what the next state will be. Usually the qualifier determines which of two states is next. In some cases however, the qualifier holds the present machine state for a predetermined period of time.

8-42. In the Model 8660C there are about 112 machine states. Some of these states are used in many operations (see Table 8-4 and the overall ASM diagram). Seven "state" flip-flops determine present machine state by their logic conditions. The outputs of these flip-flops are designated as A₀ through A₆ and their binary weighting determines

the state number. Take, for instance, the state of 5/11; A₆ and A₄, with weighting of 4 and 1 provides the binary number 5, or BCD 1 0 1 for the first part of the number and A₃ A₁ and A₀ with weighting of 8, 2 and 1 provide the binary number of 11 or BCD 1 0 1 1 for the second part of the number. Breaking the number into two parts is for convenience only — it is shown in both numerals and BCD format for each state in the box (in the example it would be 5-11 - 1 0 1 1 0 1 1).

8-43. Refer to Figure 8-5. The starting point for this ASM diagram is in the upper left hand corner.

8-44. State 7/15 is an invalid state. It is representative of ROM addresses which are not normally addressable. There is a remote possibility that one of these addresses might be randomly selected at initial turn on, in which case state 7/15 would force the machine state to 0/0, the normal starting point.

8-45. Figure 8-5 illustrates the state path for an entry of a number or a decimal point. It also illustrates the start of the state path for justification (decimal point placement) when a decimal point is entered.

NOTE

The seven "state" LED's, test points and the stepping microswitch (MAN SW) are shown in Figure 8-124. Refer to ASM flow charts while going through the state sequences.

8-46. Numeral Entry State Path (heavy line). When the first entry is made with the keyboard (JF10)—L (J input to flip-flop 10 goes low) is active. Qualifier F10 goes high and the next state is 4/10. (JSW1)—L is a sweep function and has no effect on entries other than sweep functions.

8-47. To follow the state path through the DCU for a numerical entry, remove the cabinet bottom cover and temporarily ground the MAN. TP. All of the LED's should be extinguished, indicating state 0/0 (if they are not, temporarily ground the STATE 0/0 TP).

8-48. Press and hold in a numeric keyboard key until state 4/10 is reached. Note that pressing a numeric key does not (by itself) cause a change in state. The MAN. TP. must be pressed each time the state is changed for any operation.

8-49. In order to reach state 4/0 or any other succeeding state, it is necessary to press the MAN. TP. microswitch. (It is suggested that the MAN. TP. be pressed with the eraser end of a pencil. This switch is very sensitive and the least amount of nervousness may cause a progression through more than one state.)

8-50. Qualifier F7-H is active only in sweep functions so pressing the MAN. TP. when the instrument is in state 4/40 should cause the next state to be 5/0.

8-51. Qualifier DP-L is active only when a decimal point has been entered, so pressing the MAN. TP. one time when in state 5/0 should cause the next state to be 6/0.

8-52. Qualifier NUM-H is active when a numeric entry is made. Pressing the MAN. TP. one time when the state is at 6/0 should cause the next state to be 6/1.

8-53. Qualifier F2-H is active for only the first key entry of any new keyboard entry. In this case the first entry is a numeral, so pressing the MAN. TP. one time should cause the next machine state to be 1/5. State 1/5 includes instructions (RF2, RJCT)-L.

8-54. Qualifier NUM-H following state 1/5 is active, so pressing the MAN. TP. one time should cause the next state to be 0/2 which contains instruction ETK0-L. This instruction causes the number BCD (format) to be stored in a 1 digit shift register K0.

8-55. Pressing the MAN. TP. one time now causes the next state to be 0/3 which contains instructions K0TK-L and CK10. Qualifier CKB-H is low and the state remains at 0/3 until the BCD data from the K0 register is clocked into the least significant digit of the keyboard shift register (10 clock pulses).

8-56. When CKB-H again goes high the path is directly through states 6/14, 1/1, 4/1, 1/9 and 4/9 to state 4/10. (Once again, the MAN TP must be pressed one time for each state progression.)

8-57. Qualifier KDN-H is active only when a keyboard key is pressed. Since it takes only a few microseconds to reach state 4/0, KDN-H is active and the high output holds the machine state in state 4/10 until the key is released and KDN-H goes low.

8-58. When KDN-H goes low (and the MAN. TP. is pressed), the next state is 5/10. Since this is a local operation, RMT-H is low and the next state, when the MAN. TP. is pressed, is 0/0. The instrument is now ready for the next keyboard entry.

8-59. Decimal Entry State Path.

8-60. Note that for a decimal entry in the manual scan mode the decimal point key must remain pressed in and the MAN. TP. must be pressed one time for each state change.

8-61. When a decimal point is entered on the keyboard, the path is the same as the numeral path until state 5/0 is reached. Since DP-L is now active, the next state is 5/1.

8-62. If the decimal point is the first keyboard entry, qualifier F2-H following state 5/1 is active and the next state is 1/5.

8-63. State 1/5, which contains instructions RF2-L, RKB-L and RJCT-L is followed by NUM-H. Since the entry was not a number, the next state is 3/5 which contains instruction SJCT-L. The state path from this point back to state 0/0 is the same as it was for a numeric entry.

8-64. If the decimal point was not the first entry, qualifier F2-H following state 5/1 is low and state 1/5 is bypassed.

8-65. Units Entry State Path.

8-66. As with a numeric or decimal entry, the keyboard key for the unit selected (Hz, kHz, MHz, or GHz) must remain pressed in and the MAN. TP. must be pressed one time for each state change.

8-67. When a units key (Hz, kHz, MHz, or GHz) is pressed the state path is the same as it is for a numeral until state 6/0 is reached. When state 6/0 is reached, qualifier NUM-H is low and the next state is 0/4.

8-68. State 0/4 which contains instruction RKO-L is followed by qualifier QU1-H. Since a units entry has been made, QU1-H is active and the next state is 1/5.

8-69. State 1/6 which contains instructions JUS-L, JF2-L, KF3-L and a clock, CK10J, is followed by qualifier QJO-H. QJO-H is active until the keyboard entry is justified (decimal point is positioned properly for the units selected).

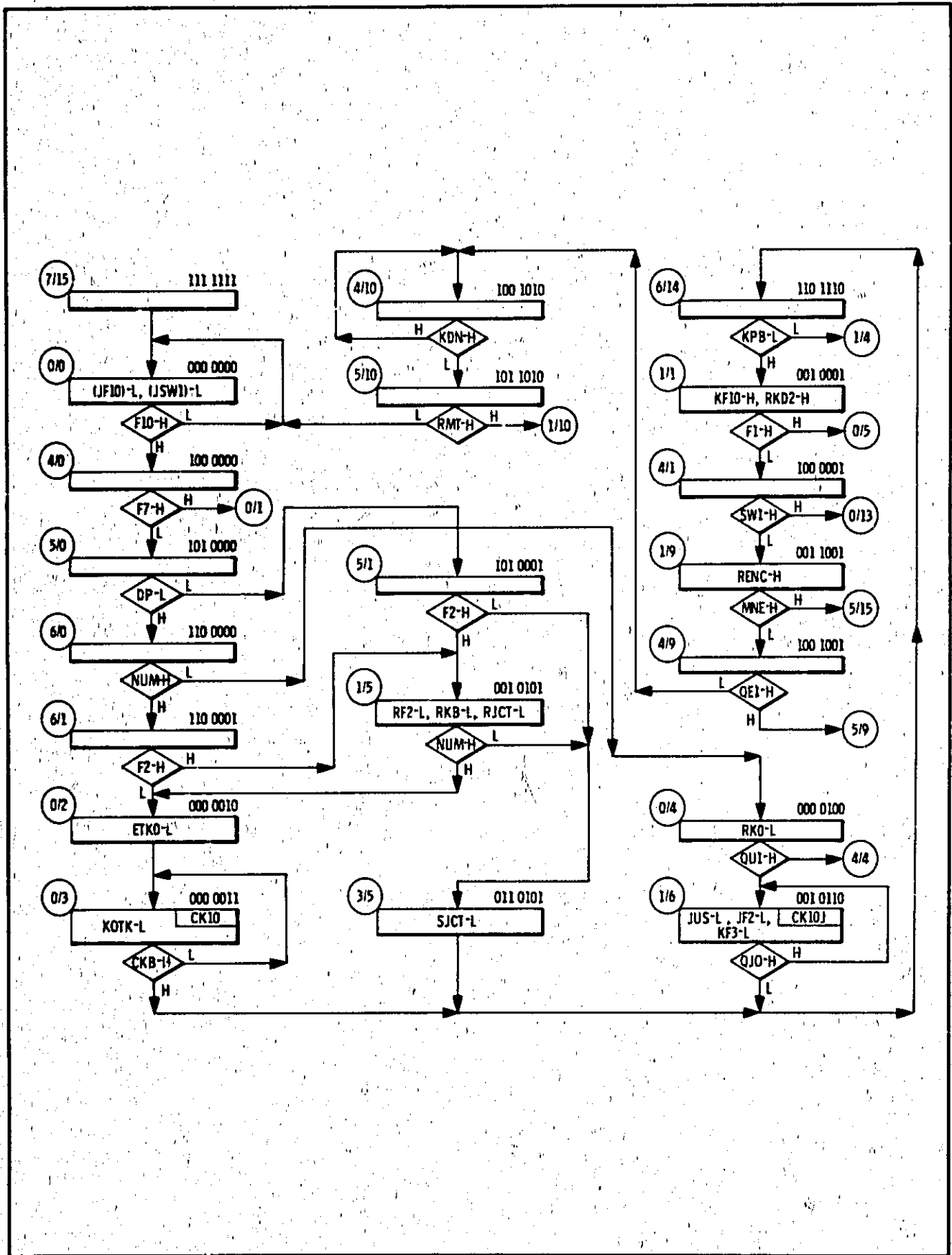


Figure 8-5. Part of the Algorithmic State Machine for Model 8660C DCU

8-70. When QJO-H goes low the remaining state path is the same as it was for a numeric or decimal point entry until state 0/0 is again reached.

8-71. MNEMONICS

8-72. Many of the terms used to describe functions of the DCU, ASM and interface circuits would take up entirely too much room if they were spelled out each time they were used. Most of these terms are abbreviated by the use of mnemonics and shown in Table 8-4. Also shown in the mnemonics table is a definition of such terms, locations where the terms are used, the point of origination of the terms, and information as to whether the mnemonics are high or low in the assertive (active) state (illustrated by an H or an L that follows the mnemonics).

8-73. Note that the mnemonics do not follow normal dictionary type identifications, but are identified by function.

8-74. LOGIC SYMBOLS AND DESCRIPTIONS

8-75. Table 8-5 shows some of the "basic building blocks" of logic symbols with the equivalent electronics circuits.

8-76. Figure 8-6 illustrates gates and inverters which are used throughout the instrument. These integrated circuits are shown to avoid repeating details on each schematic.

8-77. Other, more complex, integrated circuits are explained in the supporting text for the schematic on which they appear.

8-78. TROUBLESHOOTING

8-79. **Mnemonics.** Before proceeding with troubleshooting this instrument the technician should become familiar with the use and meaning of mnemonic terms. These terms appear throughout the Algorithmic State Machine (flow graph) and the schematics. The terms are defined in Table 8-4.

8-80. **Algorithmic State Machine (ASM).** The ASM which appears on a foldout page (Figure 8-112) covers all of the functions of the DCU within the instrument. A partial ASM for the DCU appears in Figure 8-5. The following paragraphs provide information relative to the basic use of the ASM in troubleshooting the instrument.

8-81. **Troubleshooting Procedures.** Basically there are three troubleshooting methods defined in this manual. They are:

a. A logical procedure for replacement of circuit boards in the Digital Control Unit for those who have a spare set of assemblies on hand. This procedure is to be followed in the sequence shown when a malfunction has been traced to the DCU. Some of these assemblies are available on an exchange basis (see Section VI for more information regarding this procedure).

b. Repair to the assembly level. With this procedure, assemblies are ordered to replace the known defective assembly. This procedure eliminates the requirement to repair to the component level. Information is provided in tabular format to assist the technician in locating the cause of the malfunction.

c. Repair to the component level. In this procedure, the cause of a malfunction is localized to an assembly and reference is then made to the applicable Service Sheet to provide additional information required to repair to the component level.

8-82. The troubleshooting tables which follow serve a dual purpose. These tables identify the circuit board or assembly which is the cause of the malfunction; if it is not desired to make repairs to the component level, a replacement assembly may be ordered from the part numbers which appear in Section VI of this manual. If repairs are to be made to the component level, the tables also refer to the appropriate schematic diagram and additional technical data to aid the technician in making such repairs.

NOTE

If symptoms of the cause of the malfunction indicate that the trouble is in a given assembly or circuit, the technician may proceed directly to the applicable table, and perform the specified tests without going through the preceding tests. Each table refers to the assembly and the Service Sheet for the assembly which is most likely to be causing the malfunction.

8-83. The troubleshooting tables are arranged in the most likely cause of the malfunction order. This order is as follows:

- a. Table 8-6, Power Supply Troubleshooting.
- b. Table 8-7, DCU Repair by Replacement. (To be used only if DCU trouble is suspected and a spare set of compatible assemblies are on hand.
- c. Table 8-8 is a guide designed to lead the technician to the defective assembly within the DCU.
- d. Table 8-9 through Table 8-30, DCU and interface troubleshooting tables.
- e. Table 8-31 through 8-40, Mainframe RF loops troubleshooting.

NOTE

When a malfunction has been found and corrected in any circuit containing adjustable components, the adjustment procedures specified in Section V of this manual for the repaired circuit should be performed.

8-84. Each of the troubleshooting tables list the test equipment required to perform the tests in the

Table and refer the technician to the appropriate Service Sheet which contains additional information about the circuit.

8-85. In Table 8-8, the steps referred to in the prior steps column must have been observed and found to be operating properly before proceeding to the next function of any step.

8-86. The following notes apply to all of the troubleshooting Tables:

- a. Always check qualifiers or instructions in the machine state with which they are listed.
- b. Refer to Table 8-4 for descriptions of mnemonics and "where used" information.
- c. When an instruction or qualifier which should be high is found to be low, the source is listed as the faulty assembly. However, it is possible that the load may be shorted to a low level. Circuit trace and isolate before ordering a replacement assembly.

Table 8-4. Mnemonics Information (1 of 13)

How to use this table:

When the mnemonic has been found and identified, the remaining three columns provide the following information:

The Assy No. column identifies the assembly where the mnemonics appear. The * indicates the assembly where the mnemonic originates.

The "Where Used SS No." column identifies the Service Sheet(s) on which the mnemonic appears. The * identifies the Service Sheet on which the mnemonic originates.

Prefix all assembly numbers with A1 except those which are prefixed in the assembly number column as A3A(x).

The ASM State column indicates the state(s) in which the mnemonics appear. When followed by a "Q" the mnemonic is a qualifier following the state shown.

The mnemonics are also used on all DCU Service Sheets(SS), the Interface Service Sheets and the ASM, Figure 8-112.

Mnemonic	Description	Assy No. (A1)	Where Used SS. No.	ASM State
+20V	+20V regulated	A8, A11, A2	33, 21	
+4V	+4V unregulated	A12	36	
+5V	+5V regulated	A1, A2, A3, A4 A5, A6, A7, A8, A9, A10, A12, A3A1, A3A2, A3A1-a, A3A2-a	19, 20, 22, 24, 25, 27, 30, 32, 33, 34, 35, 36, 37, 38, 39, 40	
-10V	-10V regulated <i>Note: All voltages generated in main-frame power supply.</i>	A8, A2, A11	21, 33	
100KCK	100 kHz Clock to keyboard	A1*, A2	20*, 21	
13GL-L	1.3 GHz select for 86602	A7*, A6	32*, 31	
16LIM-L	160 MHz limits (special only)	A7*, A6	32*, 31	
A0	State flip-flop A0 output	A4*, A1, A5	26*, 19, 25, 28	
A2	State flip-flop A2 output	A4*, A1, A5	26*, 19, 25, 28	
A2TR-H	A2 register to A bus	A5*, A9	27*, 34	3/1
A3	State flip-flop A3 output	A4*, A1, A5	26*, 19, 25, 28	
A3TR-H	A3 register to A bus	A5*, A9	28*, 34	2/13, 2/12, 3/0

Table 8-4. Mnemonics Information (2 of 13)

Mnemonic	Description	Assy No.	Where Used SS. No.	ASM State
A4	State flip-flop A4 output	A4*, A5	26*, 25, 27	
A5	State flip-flop A5 output	A4*, A5	26*, 25, 27	
A6	State flip-flop A6 output	A4*, A1, A5	26*, 19, 25, 28	
ADD-H	Add command to ALU	A5*, A7	28*, 32	2/12, 3/0, 3/1,2/1,1/15, 3/4
ADD-L	Subtract command to ALU	A5*, A7	28*, 32	2,0,2/13, 1/14, 2/15
ADDCK-H	ALU clock control	A6*, A3, A7	29*, 24, 32	
ADOF-L	Add offset (special)	A3A1*, A5	37, 28	3/2, 2/6, 1/10, 1/7
ALU1	ALU1 Binary 1	A7*, A6	32*, 29	
ALU2	ALU Binary 2	A7*, A6	32*, 29	
ALU4	ALU Binary 4	A7*, A6	32*, 29	
ALU8	ALU Binary 8	A7*, A6	32*, 29	
AREGCK-H	A register clock	A6*, 9	29*, 34	
ATR-H	A register to R bus	A5*, A9	28*, 34	3/2, 2/15, 2/6, 3/7, 3/4, 0/9
AT01	A Register to output 1	A9*, A10	34*, 35	
AT02	A Register to output 2	A9*, A10	34*, 35	
AT04	A Register to output 4	A9*, A10	34*, 35	
AT08	A Register to output 8	A9*, A10	34*, 35	
B9-L	9 clock gate signal	A5*, A3, A9	27*, 23, 34	
BR-L	Brightness control of readout	A3*, A12	24*, 36	
CDN-L	[See (KIUP-CDN-L)]			
CF-H	Center Frequency	A2*, A4	21*, 25	6/8Q, 4/3Q, 6/3Q, 6/10Q
CFR-H	Center Frequency Readout	A1*, A4	19*, 25	6/6Q, 6/15Q

Table 8-4. Mnemonics Information (3 of 13)

Mnemonic	Description	Assy No.	Where Used SS. No.	ASM State
CK	1 MHz System Clock	A1*, A2, A3, A4, A5, A6, A7, A8, A9, A10, A3A1	20*, 22, 24 26, 27, 29, 32, 33, 34, 35, 37, 39	
CK10-L	Clock 10. Instruction for ten clock pulses.	A4*, A5, A6	26*, 27, 29	2/13, 3/2, 2/12, 3/0, 3/1, 2/15, 2/9, 2/1, 1/15, 2/0, 0/9, 1/13, 1/14, 2/7, 1/12, 3/8, 2/5, 2/6, 0/3, 1/11, 3/7, 1/2, 1/3, 1/4, 3/4, 1/8, 0/1, 1/7, 1/10
CK10CK-H	Gated control for chain of 10 clock pulses	A6*, A3	29*, 23	
CK10J-L	Decimal point justification clock	A3*, A5, A6	23*, 27, 29	1/6
CK1213-L (CK12-L) (CK13-L)	Instruction for 12 or 13 clock pulse train	A5*, A6	27*, 29	2/13, 2/12, 3/0, 3/1
CKA-H	Clock A ANDED with CKB, signifies completion of 12 or 13 clock pulses	A5*, A4, A6, A8	27*, 25, 29, 33	2/13Q, 2/12Q, 3/0Q, 3/1Q
CK12-L				
CK13-L				
CKB-H	Clock B, signifies completion of 10 clock pulses	A5*, A4, A3, A6, A8	27*, 25, 23, 29, 33	3/2Q, 2/13Q, 2/12Q, 3/0Q, 3/1Q, 2/15Q, 1/15Q, 2/1Q, 2/9Q, 2/0Q, 0/9Q, 1/13Q, 1/14Q, 2/7Q, 0/1Q, 1/4Q, 3/4Q, 1/12Q, 3/8Q, 2/5Q, 0/3Q, 1/11Q, 2/6Q, 3/7Q, 1/2Q, 1/3Q, 1/8Q, 1/10Q, 1/7Q
CMND P-L	Permanent command from external programming interface	A3A1*, A2	37*, 40*, 21	

Table 8-4. Mnemonics Information (4 of 13)

Mnemonic	Description	Where Used		
		Assy No.	SS. No.	ASM State
CMND T-L	Temporary command from external programming interface	A3A1*, A2	37*, 21	
CNT1	Parallel dump count, binary 1	A5*, A10	27*, 35	
CNT2	Parallel dump count, binary 2	A5*, A10	27*, 35	
CNT4	Parallel dump count, binary 4	A5*, A10	27*, 35	
CNT8	Parallel dump count, binary 8	A5*, A10	27*, 35	
COAXCK	2 MHz clock input from interface board	A1, A4A1*, A3A1	2*, 20, 37, 40	
CODE 1 CODE 2	These are bias levels that are used to aid in leveling the output of the RF Section. See RF Section Manual.	A6*, A3A1	31*, 37	
CTR-H	Center Frequency register to R bus	A5*, A6	28*, 29	2/1, 2/0, 1/7 1/15, 1/14
CTT-H	Center Frequency register to T bus	A5*, A6	28*, 29	2/9, 2/7, 3/8, 1/8
CUP-H	Count up instruction to sweep	A5*, A8	28*, 33	2/12, 3/0, 3/1
D1-1	Digit 1 BCD 1	A10*	35*, 37	
D1-2	Digit 1 BCD 2	A10*	35*, 37	
D1-4	Digit 1 BCD 4	A10*	35*, 37	
D1-8	Digit 1 BCD 8	A10*	35*, 37	
	Note <i>Repeat for digits 2 through 9. Note that digits proceed in numerical sequency from right to left.</i>			
D10-1	Digit 10 BCD 1	A10*	35*, 37	
	Note <i>Digit 10 BCD 2, 4 and 8 are not used.</i>			
DAOUT	Digital to Analog output (sweep ramp)	A8*, J1	33*	
DBL-L	Double Frequency Output	A6*, A3, A9, A3A1	31*, 24, 34, 37, 40	
DP-L	Decimal point qualifier	A2*, A4	21*, 25	5/0Q

Table 8-4. Mnemonics Information (5 of 13)

Mnemonic	Description	Where Used		
		Assy No.	SS No.	ASM State
DP1-L thru DP9-L	Readout decimal points. Numbered from right to left.	A3*, A12	23*, 36	
ETK0-L	Encoder to K0 register	A1*, A2	19*, 22	0/2
F LIM-L	Frequency Limits. Out of range annunciator.	A1*, A3A1	19*, 37	
F1-H	Interrupt sweep for new entry, flip-flop.	A1*, A4	19*, 25	3/12Q, 1/1Q
F2-L	Keyboard initial entry, flip-flop.	A4*, A3	26*, 23	5/1Q, 6/1Q
F3-L	Prevents entry of information before justification, flip-flop.	A2*, A4	21*, 25	5/6Q, 6/9Q
F7-H	Sweep function flip-flop (also func- tions as plug-in remote flip-flop).	A4*	26*, 25	2/8Q, 2/4Q, 2/3Q, 4/0Q
F8-H	Sweep ramp flip-flop	A4*	26*, 25	6/11Q, 4/11Q
F10-H	Start flip-flop	A1*, A4	19*, 25	0/0Q
FM MODE-L	Lights FM MOLE lamp in annunciator	A1*	19*	
FM-H	Frequency modulation instruction	MOD*A1, A3A1	19, 37	
FPB-L	Causes sweep width register data to be displayed on center frequency readout	A1*, A3 A4	19*, 23, 25	6/4Q
FTS-H	Sweep width register to S bus	A5*, A7	28*, 32	2/13, 2/12, 3/0, 3/1, 2/15, 1/3
G20	Gate 2 to Code 0 instruction selector	A5*, A1	27*, 9	
Hz-H	Hertz	A2*, A3	21*, 23	
IDN-H	Inhibit down	A4*	26*, 25	4/12Q
INC-H	Incremental step	A2*, A4	21*, 25	5/9Q
IPB-L	Causes STEP register data to be dis- played on center frequency readout	A1*, A3, A4	19*, 23, 25	5/4Q
ITS-H	Increment (step) register to S bus	A5*, A7	28*, 32	1/15, 1/14, 1/2

Table 8-4. Mnemonics Information (6 of 13)

Mnemonic	Description	Where Used		
		Assy No.	SS No.	ASM State
IUP-H	Inhibit up	A4*	26*, 25	6/12Q
JCFR-L	See KPBR-JOFR-L			
JF1-H	J input to FF1	A1*	19*	0/10
JF2-H	J input to flip-flop 2	A1*, A4	19*, 26	0/7, 1/6
JF3-L	J input to flip-flop 3	A5*, A2	28*, 21	1/0, 1/11, 1/10 1/13
(JF7A, ILD)-L	J input to flip-flop 7, and Input Load (presets swp counter)	A1*, A4, A8	19*, 26, 33	0/13
JF7B-L	J input to flip-flop 7	A2*, A4	21*, 26	
(JF8, IRS)-L	J input to flip-flop 8, and input reset to sweep increment counter	A5*, A8, A4	28*, 33, 26	0/13, 2/15, 2/9 0/0
JF9-H	J input to flip-flop 9, speed FF	A1*	19*, 20	0/14, 0/15
JF10-L	I input to flip-flop 10, start FF	A1*	19*, 20	0/0
JIDN-L	J input inhibit down flip-flop	A5*, A4	28*, 26	2/11
JIUP-L	J input inhibit up flip-flop	A5*, A4	28*, 26	2/10
(JUS, KF3, JF2)-L	Justification (DP justify), K input to flip-flop 3, J input to flip-flop 2	A5*, A1, A1 A2, A3	28*, 19, 21, 23	1/6
JSW1-L	J input to SW1 flip-flop		19*, 20	0/0, 0/8
K0-K9	Keyboard key pairs	A1*, A15*, A2	21*	
K0TK-L	K0 to Keyboard Register	A1*, A2, A3	19, 22, 23	0/3
KA	Keyboard register output A BCD 1	A2*, A6	22*, 29	
KB	Keyboard register output B BCD 2	A2*, A6	22*, 29	
KC	Keyboard register output C BCD 4	A2*, A6	22*, 29	
KD	Keyboard register output D BCD 8	A2*, A6	22*, 29	
KCFR-L	K input to Center Frequency Read-out flip-flop	A5*, A1	28*, 19	1/8
KCK-L	Keyboard register clock	A3*, A2	23*, 22	

Table 8-4. Mnemonics Information (7 of 13)

Mnemonic	Description	Where Used		
		Assy No.	SS No.	ASM State
KD2-L	Keydown 2	A2*, A1	21*, 19	
KDN-H	Keydown	A2*, A4	21*, 25	4/10Q
KF1-H	K input to flip-flop 1	A1*	19*	0/5
KF3-L	See (JUS, KF3, JF2)-L			1/6
KF7-H	K input to flip-flop 7	A5*, A4	28*, 26	2/9, 1/0
KF8-H	See (RQ55, KF8, RSW1)-H			2/9
KF9-H				0/0
KF10-H	See (RKD2, KF10)-H			1/1, 1/0, 3/6
KHZ-H	Kilohertz	A2*, A3	21*, 23	
KIDN-H	K input to inhibit down flip-flop	A5*, A4	28*, 26	2/12
(KIUP, CDN)-L	K input of increment up flip-flop Count down instruction to sweep	A5*, A4, A8	28*, 26, 33	2/13
KPB-L	Causes keyboard register data to be displayed on center frequency readout	A1*, A3, A4	19*, 23, 25	6/14Q
(KPBR, JCFR)-L	K input to pushbutton readout flip-flop, J input to center frequency readout flip-flop	A5*, A1	28*, 19	3/6
KSW1-H				0/10
(KTR, OTS)-H		A5*, A6, A7	28*, 29, 32	1/10
KTT-H	Keyboard register to T bus	A5*, A6	28*, 29	1/12, 2/5, 1/11, 1/4, 1/13
KYBCK1 KYBCK2	These are separate keyboard strobe lines which join at a common point in the A2 assy.	A2*	21*	
LCL-H	Local/remote input	A3A1*, A1, A2, A3	39*, 37, 20, 21, 23	
LD-L	Load resets the A2 and A3 registers on the A9 assy.	A8*, A9	33*, 34	

Table 8-4. Mnemonics Information (8 of 13)

Mnemonic	Description	Where Used		
		Assy No.	SS No.	ASM State
MHZ-H	Megahertz	A2*, A3	21*, 23	
MNE-H	Manual entry	A1*, A4	20*, 25	3/13Q, 6/13Q, 1/9Q, 5/14Q
NTS-L	Manual tune increment n to S bus	A5*, A7	28*, 21	2/1, 2/0
NUM-H	Numeral	A2*, A4	21*, 25	6/0Q, 1/5Q
OFS-L	Offset frequency (special)	A4	25, 37	4/2Q, 5/5Q, 5/7Q, 3/3Q
OPID1	Output plug-in digit 1 BCD 1	J6 pin 33*, A6, A7	37*, 32	
OPID2	Output plug-in digit 2 BCD 2	J6 pin 34*, A7	37*, 32	
OPID4	Output plug-in digit 4 BCD 4	J6 pin 35*, A7	37*, 32	
OPR-L	Option reset. Option 004-100 Hz resolution.	A5*, A3	27*, 24	
OPRO-L	Option readout. Option 004 - 100 Hz resolution	A1*, A3	19*, 24	
OTS-L	Offset frequency to S bus	A5*, A7	28*, 32	2/6, 1/7, 3/2
OVEN-L	Oven signal (oven not at temperature when lamp is lit). (Annunciator)	A21*, A3A2	2*, 19, 38, 39	
OVRNG-L				
PBCOM-L	Pushbutton common	A1*, A12	19, *20, 36	
PBF-L	Sweep width readout pushbutton	A1*	19*	
PBI-L	Increment (step) readout pushbutton	A1*	19*	
PBK-L	Keyboard readout pushbutton	A1*	19*	
PD-H	Parallel dump	A5*, A10	28*, 35	
PDN-L				3/7, 2/9
PDS-L	Parallel dump sweep	A1*, A5, A9	19*, 27, 34	0/9
PII	Data to plug-in section, binary 1	A6*, A3A1	29*, 37, 40	

Table 8-4. Mnemonics Information (9 of 13)

Mnemonic	Description	Where Used		
		Assy No.	SS No.	ASM State
PI2	Data to plug-in sections, binary 2	A6*, A3A1	29*, 37, 40	
PI4	Data to plug-in sections, binary 4	A6*, A3A1	29*, 37, 40	
PI8	Data to plug-in sections, binary 8	A6*, A3A1	29*, 37, 40	
PICK-L	Plug-in clock for remote data transfer	A6*, A3A1	29*, 40	0/1
PILIM-L	110 MHz limit select for 86601A	A7*, A6, A1	32*, 31, 20	
PLS-H	Plus (manual tune sense)	A1*, A4	20*, 25	0/12Q, 5/15Q
PRDT-L	Power detect (DCU)	A2*, A1, A4, A6	22*, 20, 26, 29	
PWRDT-L	Power detect from mainframe	A3A1*, A3A2, A2	40*, 39, 37, 22	
Q100-H	Qualifier 100 (100 step sweep)	A1*, A4, A8	20*, 25, 33	5/12Q
QA-H	Qualifier A. Frequency above limits.	A6*, A4	31*, 25	2/2Q
QAD-H	Qualifier add	A2*, A4	21*, 25	5/13Q
QB-H	Qualifier B. Frequency below limits.	A7*, A4	32*, 25	4/13Q, 6/7Q, 4/15Q, 5/2Q,
QCTM-H	Qualifier count maximum. Sweep Count.	A8*, A4	33*, 25	4/14Q, 5/11Q
QCTZ-H	Qualifier count zero. Sweep count.	A8*, A4	33*, 25	4/7Q
QEI-H	Qualifier enter 1 (any entry key)	A2*, A4	21*, 25	4/9Q, 4/4Q
QJO-H	Justification operation	A3*, A4	23*, 25	1/6Q
QMSW-H	Qualifier, manual sweep	A1*, A4	20*, 25	0/15Q, 5/8Q, 0/11Q, 0/14Q
QSP-H	Qualifier sweep pulse	A1*, A4	20*, 25	0/10Q
QSS-H	Qualifier single sweep	A1*, A4	20*, 25	3/15Q
QUI-H	Qualifier units 1 (any units key)	A2*, A4	21*, 25	0/4Q
RBUS A1	A register to R bus BCD 1	A9*, A7	34*, 32	

Table 8-4. Mnemonics Information (10 of 13)

Mnemonic	Description	Where Used		
		Assy No.	SS No.	ASM State
RBUS A2	A register to R bus BCD 2	A9*, A7	34*, 32	
RBUS A4	A register to R bus BCD 4	A9*, A7	34*, 32	
RBUS A8	A register to R bus BCD 8	A9*, A7	34*, 32	
RBUS C1	CF register to R bus BCD 1	A6*, A7	29*, 32	
RBUS C2	CF register to R bus BCD 2	A6*, A7	29*, 32	
RBUS C4	CF register to R bus BCD 4	A6*, A7	29*, 32	
RBUS C8	CF register to R bus BCD 8	A6*, A7	29*, 32	
RBUS K1	M register to R bus BCD 1	A6*, A7	29*, 32	
RBUS K2	M register to R bus BCD 2	A6*, A7	29*, 32	
RBUS K4	M register to R bus BCD 4	A6*, A7	29*, 32	
RBUS K8	M register to R bus BCD 8	A6*, A7	29*, 32	
RENC-H	Reset encode counter	A5*, A7	28*, 32	2/8, 3/4, 2/4, 2/3, 1/9, 3/3
RERR-L				0/4
RF1-L				0/8
(RF2, RJCT)-L	Reset flip-flop 2 and reset justification counter.	A2*, A3, A4	22*, 23 26	1/5
RF9-L				0/9
RKB-L	Reset keyboard register	A5*, A2	28*, 22	1/5, 1/0
(RKD2, KF10)-H	Reset keydown flip-flop 2, and K input to flip-flop 10.	A5*, A2, A1	28*, 21, 19	3/6, 1/1, 1/0
RK0-L	Reset K0 register	A3*, A2	23*, 22	0/4
RMT STEP ↓ DN-L	Remote step down (increment)	A3A1*, A2	37*, 21	
RMT STEP ↑ UP-L	Remote step up (increment)	A3A1*, A2	37*, 21	
RMT-H	Remote Qualifier	A3*, A4	23*, 25	5/10Q

Table 8-4. Mnemonics Information (11 of 13)

Mnemonic	Description	Where Used		
		Assy No.	SS No.	ASM State
RMT1-L	Remote data input binary 1	A3A1*, A2	40*, 37, 22	
RMT2-L	Remote data input binary 2	A3A1*, A2	40*, 37, 22	
RMT4-L	Remote data input binary 4	A3A1*, A2	40*, 37, 22	
RMT8-L	Remote data input binary 8	A3A1*, A2	40*, 37, 22	
RMTCF-L	Remote center frequency command	A3A1*, A2	37*, 40*, 21	
RMTL-L	Readout remote lamp (annunciator)	A1*, lamp	20*	
ROCK	Readout clock (10 kHz)	A1*, A12	20*, 36	
ROGHZ-L	Readout GHz	A3*, A12	23*, 36	
ROMHZ-L	Readout MHz	A3*, A12	23*, 36	
ROKHZ-L	Readout kHz	A3*, A12	23*, 36	
ROHZ-L	Readout Hertz	A3*, A12	23*, 36	
ROI-L	Readout inhibit (option 004)	A1*, A3	19*, 24	
ROM A1 ROM A2 ROM A4 ROM A8	To read-only-memory A on A1A12. Controls readout digits 7, 8 and 9.	A3*, A12	24*, 36	
ROM B1 ROM B2 ROM B4 ROM B8	To read-only-memory B on A1A12. Controls readout digits 1 thru 6. Digit 1 is least significant digit.	A3*, A12	24*, 36	
RQB-L	Reset qualifier B flip-flop in ALU	A5*, A7	28*, 32	2/8, 2/2
RQSP-L				0/11, 0/9
(RQSS, KF8, RSW1)-H	Reset QSS flip-flop, K input to flip-flop 8, reset SW1 flip-flop.	A5*, A4, A1	28*, 26, 20	0/7
RSCAN-H	Reset readout scanner circuit	A3*, A12	24*, 36	
RSWON-L				0/8
RZER-L	Reset zero flip-flop	A5*, A7	28*, 32	2/2, 2/12
S1, S2	Sense lines from keyboard	A15*, A2	21*	

Table 8-4. Mnemonics Information (12 of 13)

Mnemonic	Description	Where Used		
		Assy No.	SS No.	ASM State
SBUS F1	Sweep register to S bus BCD 1	A6*, A7	30*, 32	
SBUS F2	Sweep register to S bus BCD 2	A6*, A7	30*, 32	
SBUS F4	Sweep register to S bus BCD 4	A6*, A7	30*, 32	
SBUS F8	Sweep register to S bus BCD 8	A6*, A7	30*, 32	
SBUS I1	Step register to S bus BCD 1	A6*, A7	30*, 32	
SBUS I2	Step register to S bus BCD 2	A6*, A7	30*, 32	
SBUS I4	Step register to S bus BCD 4	A6*, A7	30*, 32	
SBUS I8	Step register to S bus BCD 8	A6*, A7	30*, 32	
SCAN CK	5 kHz clock to readout control	A1*, A3	20*, 24	
SCDP-L	Set center frequency decimal point (Stores DP)	A5*, A3	28*, 23	2/5
(SFDP, TTF)-L	Set sweep width decimal point (stores DP), T bus to sweep width register	A5*, A3, A6	28*, 23, 30	1/11
(SIDP, TTI)-L	Set step decimal point (stores DP) T bus to step register	A5*, A3, A6	28*, 23, 30	1/13
SIND1-L	Set error lamp driver	A5*, A1	28*, 19	2/8, 2/3
SIND2-L		A6*, A1	31*, 19	
SJCT-L	Set justification counter	A5*, A3	28*, 23	3/5
SQB-H	Set qualifier B flip-flop	A5*, A7	28*, 32	2/13, 3/2, 2/15, 2/0, 1/7, 1/10, 1/14, 2/6
ST01-L	Machine state 0/1	A1*, A6	19*, 29	
ST04-L	Machine state 0/4	A1*, A3	19*, 23	
STEP-L	Manual tune switch to A1A4	A1*, A4	20*, 25	5/3Q, 4/8Q
SW1-H	Sweep 1 qualifier flip-flop	A1*, A4	20*, 25	3/14Q, 4/1Q, 0/6Q
SWL-L	Sweep lamp (annunciator)	A1*, A13	20*	

Table 8-4. Mnemonics Information (13 of 13)

Mnemonic	Description	Where Used		
		Assy No.	SS No.	ASM State
SWON-H	Sweep on	A1*, A4	19*, 25	3/9Q, 4/6Q
SZER-L	Set zero flip-flop	A5*, A7	28*, 32	2/14
TBUS 1	T bus BCD 1	A6*, A3, A9, A6	29*, 24, 34, 30, 31	
TBUS 2	T bus BCD 2			
TBUS 4	T bus BCD 4			
TBUS 8	T bus BCD 8			
TR0-L	Tuning Range zero	A1*, A2, A3, A7	20*, 21, 23, 32	
TR1-L	Tuning range 1 coarse	A1*, A7	20*, 32	
TR2-L	Tuning range 2 medium	A1*, A7	20*, 32	
TR3-L	Tuning range 3 fine	A1*, A7	20*, 32	
TTA-L	T bus to A register	A4*, A9	26*, 34	2/13, 2/12, 3/0, 3/1, 2/15, 2/9, 2/7, 2/5, 2/6
TTC-H	T bus to center frequency register	A5*, A6	28*, 29	1/14, 2/0, 2/1, 2/5, 1/15,
TTF-L	See (SFDP, TTF)-L			1/11
TTI-L	See (SIDP, TTI)-L			1/13
TTM-L	T bus to M register	A4*, A6	26*, 31	2/13, 2/12, 3/0, 1/15, 3/1, 2/1, 2/15, 2/0, 1/14, 1/12, 3/8, 1/10, 1/7, 2/9
TTRO-L	T bus to readout register	A4*, A3	26*, 24	3/2, 2/9, 2/7, 2/5, 1/4, 1/2, 3/4, 1/8, 1/3
UTT-H	ALU to T bus	A4*, A7	26*, 32	2/13, 3/2, 2/12, 1/10, 3/0, 3/1, 2/15, 2/1, 1/15, 2/0, 0/9, 1/14, 2/6, 1/7, 3/7, 1/3, 3/4, 1/2
XOR-H	Exclusive OR; ALU does not change data	A5*, A7	28*, 32	1/2, 1/3
ZER-H	Zero qualifier flip-flop	A7*, A4	32*, 25	6/5Q

Table 8-5. Logic Symboly

<p>1 indicates true signal</p> <p>0 indicates false signal.</p>		<p>○ on symbol indicates logical inversion (not necessarily electrical) of the input or output signal(s). The logic indicated within the symbol remains the same.</p> <p>→ indicates direction of signal flow.</p>																	
Designation	Logic Symbol	Description	Truth Table	Typical Circuit															
<p>AND Gate (Positive True)</p>		<p>Both input signals (A and B) must be true simultaneously to produce a true output at C.</p>	<table border="1"> <tr><th>A</th><th>B</th><th>C</th></tr> <tr><td>0</td><td>0</td><td>0</td></tr> <tr><td>0</td><td>1</td><td>0</td></tr> <tr><td>1</td><td>0</td><td>0</td></tr> <tr><td>1</td><td>1</td><td>1</td></tr> </table>	A	B	C	0	0	0	0	1	0	1	0	0	1	1	1	
A	B	C																	
0	0	0																	
0	1	0																	
1	0	0																	
1	1	1																	
<p>OR Gate (Positive True)</p>		<p>If either input signal (A or B) or both is true, the output at C is true</p>	<table border="1"> <tr><th>A</th><th>B</th><th>C</th></tr> <tr><td>0</td><td>0</td><td>0</td></tr> <tr><td>0</td><td>1</td><td>1</td></tr> <tr><td>1</td><td>0</td><td>1</td></tr> <tr><td>1</td><td>1</td><td>1</td></tr> </table>	A	B	C	0	0	0	0	1	1	1	0	1	1	1	1	
A	B	C																	
0	0	0																	
0	1	1																	
1	0	1																	
1	1	1																	
<p>Time Delay</p>		<p>Input signal delayed by the time indicated. True input at A produces a true output at B after a 15 ms delay</p>		<p>RC and FL Coupling</p>															
<p>Trigger</p>		<p>The binary is a flip-flop which changes state with every true input pulse at A. Since A is applied to the bases of both transistors, it is shown centered in the symbol. The negative pulse produces the same effect as a positive pulse applied to the opposite base. To preserve the positive logic, the reset pulse is shown inverted and applied to the opposite side. A reset pulse sets B true.</p>																	

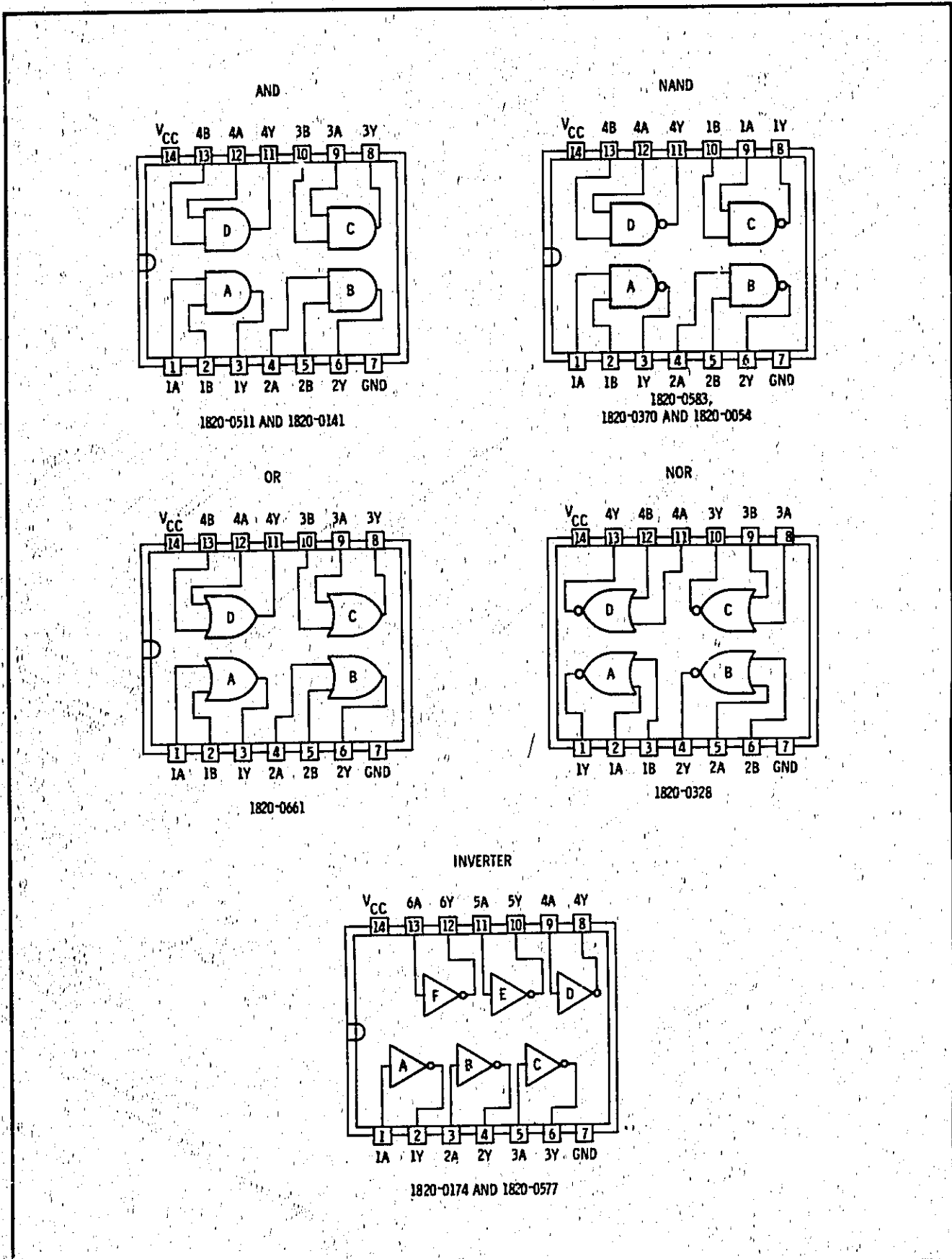


Figure 8-6. Common Gates and Inverters Used in the Model 8660C

Table 8-6. Power Supply Troubleshooting (1 of 3)

Test Equipment Required: Voltmeter AC Microvoltmeter Variable Voltage Transformer		
Step	Symptom and Procedure	Take the following action or proceed to step shown
1	Fan does not come on.	
1a	Unplug the instrument and check the main fuse (A7F1)	Replace the fuse if defective. If fuse is good, proceed to next step.
1b	With the instrument unplugged, remove the mainframe bottom cover and check the dc resistance from tie point SW/9 (located close to the front of the A20 assembly).	Proceed to Step 1c.
1c	With the instrument unplugged, check the dc resistance with the LINE switch ON.	The ohmmeter should read 0 ohms. If it does not, A1S1 or an associated component is probably defective. Refer to Service Sheet 41 and make necessary tests. Proceed to Step 1d.
1d	With the instrument unplugged, check the dc resistance with the LINE switch in the STBY position.	The ohmmeter should read a charging capacitor with an ultimate value of about 10K ohms. If it does not, refer to Service Sheet 41 and make necessary repairs.
1e	Check the voltage applied to the fan motor (should be 115 Vac).	If the voltage is present, but fan does not work, check the fan.
1f	If the voltage is not present at the fan:	Check A20K1, then refer to Service Sheet 41 and repair as required.
2	OVEN light does not illuminate when instrument is first turned on.	Refer to step 2a.
2a	Turn off and unplug the instrument for 10 minutes.	Proceed to step 2b.
2b	Remove the mainframe top cover, raise the A4 assembly and disconnect the wire from tie point 6 on A21.	Measure the resistance from A21 tie point 6 to ground. The resistance should be 0 ohms. If it is, proceed to step 2d, if not, proceed to step 2c.
2c	If the dc resistance from A21 is about 50 ohms.	The lamp is good and A21, the interface board, interconnecting wiring may be defective. Refer to Service sheet 41 and locate the cause of trouble.
2d	Reconnect wire to A21. Plug in and turn on instrument. OVEN lamp should extinguish after 10-15 minutes.	If lamp does not extinguish as it should, refer to Service Sheet 41 and repair as required.
	Notes: If conditions are not as shown, refer to Service Sheet 41.	

Table 8-6. Power Supply Troubleshooting (2 of 3)

Symptom	Take the following action or proceed to step shown
All supplies defective, fan does not come on.	Check line module, power cord, T1, CR1 and line fuse.
The instrument is inoperative, but fan operates.	Check A20K2
Instrument appears inoperative, fan does not work but oven supply is OK.	Check A20K1, A20K2, A1S1 and associated wiring.
All regulated supplies are inoperative, but unregulated supplies are OK.	Check A20K2.
Regulated supplies are OK but unregulated supplies are inoperative and fan does not work.	Check A20K1
+20V power inoperative.	Check A5Q5, A5U3, A6A1Q7, A6A1Q8, A20K1, A20 CR1 and T1.
+5.25V power inoperative.	Check A20F1*, A6A1Q10*, A20K2, A5Q6, A5U4, and A20C2 (*common failure mode).
+5.25V supply low but not inoperative.	A5R24 defective or incorrectly adjusted (do not readjust until it is clear that something else is not pulling the supply down). Output load resistance is too low -- should be 6 ohms or greater. Check line module and T1. Check A6A1Q10 for collector to emitter short.
+5.25V supply is noisy but not inoperative.	Check line module for dirty or intermittent contacts, check A20C2, A5U4, and A6A1Q10.
+20V supply low, noisy, or unregulated.	Check line module for dirty or intermittent contacts. Check A20C1, A6CR1, A5U3, A6A1C1, A6Q5, A6A1R1, A6A1Q9, and A6A1Q8.
-10V supply inoperative.	Check A20CR3, A6A1Q5, A6A1Q4, A10C3, T1, A20K2. Load should be nominally 60 ohms.
-10V supply low, noisy or unregulated.	Check line module, A5U2, A6A1Q6, A6A1Q4, A5Q3, A6A1Q5 and A6A4.
-40V supply inoperative.	Check A20CR5 (nominally 570 ohms), A6A1Q1, A6A1Q2, A20C11, A6C15, and A20K2.
-40V supply low, noisy, or unregulated.	Check A6A1CR3, line module, A5U1, A5Q1, A5Q2, A6A1R3, and A20C6.

Table 8-6. Power Supply Troubleshooting (3 of 3)

Symptom	Take the following action or proceed to step shown
+21 and -21V supplies inoperative.	Check A20CR4, A20F4 and A20F3, T1, A20C4 and A20C5.
+21V supply inoperative but -21V supply OK.	Check A20C4 and A20F4.
-21V supply inoperative but +21V supply OK.	Check A20C5 and A20F3.

Table 8-7. DCU Troubleshooting by Replacement (1 of 3)

Note: Where the procedure column lists several assemblies, replace them in the order shown.		
Test	Result	Procedure
1. Perform operator's checks 1 through 1-c.	Readout does not display 1.000000 MHz.	Check the 2 MHz and power supply inputs to the DCU. If present, proceed to step 1-a.
1-a. Ground the connector pin labeled PWR DET on the mother board.	Readout displays 1.000000 MHz. Readout display is not correct.	Trouble is in A3 interface assembly. A2, A1, A7, A4, A5, A6, A12.
2. Enter a center frequency (within the limits of the RF Section in use) in Hz. With the 86603A RF Section set to 1300 MHz the DCU output data is 1/2 the RO. DBL-L on A1A6 pin 1c is also activated.	Readout correct. (It has been determined that the data out of the DCU is incorrect. or Readout incorrect, but RF output is correct.)	A9, A10, A1, A5, A4, A7. A3, A2, A1, A12.
3. Enter center frequencies in GH, MHz, kHz (stay within limits of the RF Section in use).	Readout is not positioned properly.	A3, A2, check wiring from the keyboard to the A1A11 mother board.
4. Perform operator's checks 2-a and 2-b.	Readout is not positioned properly.	A3, A2, check wiring from the keyboard to the A1A11 mother board.
5. Perform operator's check 2-c.	Readout incorrect.	A1, A4, A5.
6. Perform operator's checks 2-d and 2-e.	Readout isn't all zeroes when CLEAR KYBD is pressed.	A2, check wiring between keyboard and A1A11 mother board.
7. Perform operator's check 3-a with 86601A ; 4-a with 86602A; 5-a with the 86603A.	STEP ↑ operation does not function properly.	A2, A4, A5, A6, A7, check wiring between keyboard and A1A11 mother board.

Table 8-7. DCU Troubleshooting by Replacement (2 of 3)

Test	Result	Procedure																
7-a. Check STEP ↓ operation.	STEP ↓ operation does not function properly.	Same as step 7.																
8. Perform operator's check 3-b with 86601A; 4-b with 86602A; 5-b with the 86603A.	STEP readout incorrect.	A1, A4, A5, A7, check STEP push-button switch and wiring.																
9. Perform operator's checks 3-c and 3-d with the 86601A, and 4-d with the 86602A; 5-d with 86603A.	OUT OF RNG light does not flash.	<p>A6, A1, light bulb, A4, A5, A7. Check OPID lines as follows: Extend the A1A7 assembly and check the following lines on connector -1.</p> <table border="1" data-bbox="1053 799 1438 938"> <thead> <tr> <th>RF Sec.</th> <th>86601</th> <th>86602</th> <th>86603</th> </tr> </thead> <tbody> <tr> <td>Pin 3</td> <td>H</td> <td>L</td> <td>H</td> </tr> <tr> <td>Pin C</td> <td>H</td> <td>H</td> <td>L</td> </tr> <tr> <td>Pin B</td> <td>H</td> <td>H</td> <td>H</td> </tr> </tbody> </table> <p>Pin 2 not used (open) line on A1A7.</p>	RF Sec.	86601	86602	86603	Pin 3	H	L	H	Pin C	H	H	L	Pin B	H	H	H
RF Sec.	86601	86602	86603															
Pin 3	H	L	H															
Pin C	H	H	L															
Pin B	H	H	H															
10. Perform operator's check 3-e with the 86601A; 4-e with the 86602A; 5-e with the 86603A.	Readout does not decrease in 11111 Hz steps.	<p>NOTE</p> <p>If proper levels are present, trouble is in the A1A7 assembly or associated wiring. If proper levels are not present, trouble is in the cabling to the plug-in unit.</p>																
11. Perform operator's check 3-f with 86601A; 4-f with 5-f with the 86603A.	OUT OF RNG light doesn't stay on below lower frequency limit.	A1, A4, A5, A6, A7. Check MANUAL switch and wiring. Check TUNING control and wiring. Extend the A1A1 assy on two extender boards and use an oscilloscope to check for pulses at A1A1U12 pins 4 and 5. If pulses are present, the A1A1 assembly is probably defective. If the pulses are not present the TUNING control, A1A17, is probably defective.																
12. Perform operator's checks 6-a through 6-d.	Manual tune mode not operating properly	A6, A1 lightbulb, A4, A5, A7. Check OPID lines on the A1A7 assembly as shown in step 9. Results are the same.																
13. Perform operator's checks 7-a through 7-c for 86601A. 8-a thru 8-c with the 86602A or 86603A.	Does not perform as specified in Table 3-5.	A1, A4, A5, A6, A7. Check MANUAL switch A1A17 TUNING CONTROL. Extend the A1A1 assembly on two extender boards and check as in step 10. Results are the same.																
		A4, A5, A6, A7, A8, A1, A9, A10, A12. Check lightbulbs, sweep switches and wiring.																

Table 8-7. DCU Troubleshooting by Replacement (3 of 3)

Test	Result	Procedure
14. Perform operator's check 9-a.	Readout and/or output is incorrect.	A1, A4, A5, A6, A7, A8, A9, A10, A12. Check sweep switches and TUNING control. Extend the A1A1 Assembly on two extender boards and check as in step 10. Results are the same.
15. Perform operator's check 9b through 9f.	Incorrect output.	A4, A5, A6, A7, A8, A1, A9, A10, A12. Check SINGLE switch and wiring.

Table 8-8. DCU and Interface Troubleshooting Guide (1 of 3)

NOTES		
<p>1. The steps referred to in the Prior Steps Required column must have been observed and found to be operating properly before proceeding to the table referred to in any step.</p> <p>2. The following notes apply to all of the troubleshooting tables:</p> <p>a. Always check qualifiers or instructions in the machine state with which they are listed.</p> <p>b. Refer to Table 8-4 for descriptions of mnemonics and "where used" information.</p> <p>c. When an instruction or qualifier which should be high is found to be low, the source is listed as a faulty assembly. However, it is possible that the load may be shorted to a low level. Circuit trace and isolate before ordering a replacement assembly.</p>		
Step	Instruction or Fault	Prior Steps Req'd
1.	When the power is turned on the CENTER FREQUENCY readout should display 1.000000 MHz. If the readout is correct proceed to step 2. If the readout is not correct, refer to Table 8-9.	
2.	Enter a new frequency with the keyboard. The CENTER FREQUENCY readout should display the selected frequency; if it does, proceed to step 3, if it does not, refer to Table 8-10.	1
3.	If the CENTER FREQUENCY readout is correct, but BCD data to the mainframe is not, refer Table 8-11. If both are correct, proceed to step 4. If the selected frequency is above 1.3 GHz, the BCD output will be one-half that shown on the readout.	1
3.	<p style="text-align: center;">NOTE</p> <p>The BCD data to the mainframe may be checked at several points. The most readily accessible is at the top of the DCU at connectors A1A11XA11-1 and A1A11XA11-2. See Service Sheet 42 for pin number identification. The logic at these pins is positive. HIGH = 1, LOW = 0.</p>	

Table 8-8, DCU and Interface Troubleshooting Guide (2 of 3)

Steps	Instruction or Fault	Prior Steps Required
4	Enter a CENTER FREQUENCY in Hz. The CENTER FREQUENCY readout should display the selected frequency; if it does proceed to step 5. If it does not, refer to Table 8-10. At frequencies above 1.3 GHz the least significant digit is always even.	1
5	If the CENTER FREQUENCY readout displays only one or two half-digits (other digits are blank) refer to Table 8-12. Otherwise, proceed to step 6.	1
6	If CENTER FREQUENCY readout is not properly positioned when units (decimal point not properly placed) of GHz, MHz, kHz or Hz are entered, and/or associated annunciator lamp does not light, refer to Table 7-14. If only one entry is not properly positioned, proceed to step 7.	1-5
7	If CENTER FREQUENCY readout does not position properly for only one units entry (GHz, MHz, kHz, or Hz), refer to Table 8-15. Otherwise, proceed to step 8.	1-5
8	If STEP ↑ or STEP ↓ do not function properly, refer to Table 8-16. If both STEP ↑ and STEP ↓ do not function properly, proceed to step 9. If both are functioning properly, proceed to step 10. At frequencies above 1.3 GHz, the STEP is also divided by two.	1-7
9	STEP ↑ and STEP ↓ are both defective, refer to Table 8-17. If both function properly, proceed to step 10.	1-7
10	Manual step does not function properly. If true, refer to Table 8-18. If manual step functions properly proceed to step 11. At frequencies above 1.3 GHz the manual step is divided by two.	1-9, 11, 12
11	If all manual tune ranges do not function properly refer to Table 8-19. If only one range COARSE, MED or FINE does not function properly, proceed to step 12.	1-9
12	If only one RESOLUTION range (COARSE, MED, or FINE) is defective in the MANUAL MODE refer to Table 8-20. If the frequency can be set only in one direction (up or down) proceed to step 13.	1-9
13	Set the MANUAL MODE switch to COARSE, MED, FINE or STEP. Rotating the TUNING control clockwise should cause an increase in frequency; counter-clockwise rotation should cause a decrease in frequency. If the frequency does not change in one direction refer to Table 8-21. If operation is normal proceed to step 14.	1-9
14	Set the SWEEP MODE switch to AUTO. If all rates (SLO, MED and FAST) are defective refer to Table 8-22. If only one rate is defective proceed to step 15.	1-7
15	If only one sweep rate in the auto sweep mode is defective proceed to Table 8-23. If all sweep rates function properly, proceed to step 16.	1-7

Table 8-8. DCU and Interface Troubleshooting Guide (3 of 3)

Step	Instruction or Fault	Prior Steps Required
16	If only single sweep is defective in the sweep mode refer to Table 8-24. If single sweep is not defective proceed to step 17.	1-7, 14, 15
17	If only the manual sweep mode is defective refer to Table 8-25. At frequencies above 1.3 GHz manual sweep is divided by two. If manual sweep functions normally proceed to step 18.	1-7, 11, 12
18	D/A sweep ramp output is defective. Repair or replace the A1A8 assembly. For repair information see Service Sheet 33.	1-7, 14, 15
19	If the out of range lamp does not function correctly refer to Table 8-26. If lamp does not function at all proceed to step 20.	1-7
20	If code 1 or Code 2 information to the RF section is not correct repair or replace the A1A6 assembly. For repair information see Service Sheet 31.	1-7
21	Press the KYBD pushbutton. The CENTER FREQUENCY readout should display the information stored in the keyboard register. If the display is correct, proceed to step 22. If the display is not correct refer to Table 8-27. Leading zeros should not be blanked.	1-7
22	Press the STEP pushbutton. The CENTER FREQUENCY readout should display the information stored in the step register. If the display is correct, proceed to step 23. If the display is not correct refer to Table 8-28. Check the DBL-L line on SS31 when using the 86603 RF Section.	1-10
23	Press the SWP WIDTH pushbutton. The CENTER FREQUENCY readout display should display the information stored in the sweep register. If the display is correct proceed to step 24. If the display is not correct refer to Table 8-29.	1-7, 14, 15
24	CENTER FREQUENCY readout visible but dim. Check the mainframe +4V supply.	
25	Some CENTER FREQUENCY readout digits not complete or a random display appears. Repair or replace A1A12 assembly. For repair information see Service Sheet 36.	
26	Remote operation is defective. All local functions are correct. Refer to Table 8-30.	1-25
27	Harmonics excessive below 1.3 GHz or output frequency is twice that programmed. If true, refer to Table 8-31.	1
28	Output frequency is half that programmed when operating above 1.3 GHz. If true, refer to Table 8-32.	1

Table 8-9. Incorrect Initial Readout (1 of 2)

Step	Symptom or Instruction	State Succession	Check Instruction	If Next State Wrong - Check	Test Point Location	Logic Level	Repair or Replace	
							If OK	If Wrong
1	Readout incorrect on initial turn-on.							
2	Enter 123 kHz on keyboard. Instrument responds correctly.						A1A7	
3	If the instrument does not respond to 2, use a Logic Pulser to pulse (or momentarily ground) pin 30 of A1A11XA11-2 marked PWR DET.							
4	If instrument responds correctly, (displays 1.000000 MHz. NOTE There is a possibility that trouble is a broken trace or an open pull-up resistor on A3A2. The trouble is more likely to be a short in the wiring harness to J3.		RESET		A3XA5-J	H	A3A1	NOTE
5	If the instrument did not respond to 3, check power supplies (+20V, +5V and -10V) on the A1A11 test points. Check 2 MHz clock.						cont.*	Main-frame
6	Set the instrument to Manual Test Mode by momentarily grounding the MAN TP on the bottom of the DCU. Set states as follows: Sequence presets conditions Set to 0/0 for following tests Set to 0/6 Set to 0/0 Set to 3/6							A1A4
7	Set the instrument to the automatic test mode by momentarily grounding the AUTO TP on the bottom of the DCU. If the state indicators do not go to 0/0, proceed to Table 8-6.							
	*Continue to next step							

Model 8660C

Service

Table 8-9. Incorrect Initial Readout (2 of 2)

Step	Symptom or Instruction	State Succession	Check Instruction	If Next State Wrong - Check	Test Point Location	Logic Level	Repair or Replace	
							If OK	If Wrong
8	If the state indicators went to 0/0 in step 7, clear and then enter 123 kHz on the keyboard. The CENTER FREQUENCY readout indicates 123 kHz. Pulse or momentarily ground pin 30 of A1A11XA11-2 marked PWR DET.		PRDT		A1A1XA1-2 F	Pulses H-L	A1A1	A1A2
9	If state indicators do not go to 0/0 after step 8		F10		A1A4XA4-2 M	L	A1A4	cont.
10	Extend the A1A1 assembly on an extender board and set the instrument to manual test mode.	1/1	KF10		A1A1XA1-2 H	H	cont.	A1A5
		0/0						
		0/6	RMNE		A1A1XA1-2 10	L	A1A1	A1A1

Table 8-10. Center Frequency Readout Faulty (1 of 5)

Step	Symptom or Instruction	State Succession	Check Instruction	If Next state wrong - check	Test Point Location	Logic Level	Repair or Replace	
							If OK	If Wrong
1	Key in a valid center frequency. Check the RF Section output with a frequency counter. If the frequency is correct, but the readout is not, proceed to Table 8-12.							
2	If the output frequency and the readout are both faulty, hold in the KYBD key while entering a few frequency. If the readout is correct, but the decimal point is not properly justified, proceed to Table 8-14.							

Table 8-10. Center Frequency Readout Faulty (2 of 5)

Model 8660C

Service

Step	Symptom or Instruction	State Succession	Check Instruction	If Next State Wrong - Check	Test Point Location	Logic Level	Repair or Replace	
							If OK	If Wrong
3	If the readout was correct and justified in step 2 proceed to Test I of this table.							
4	If the readout and justification were both incorrect in step 2 proceed to Test II of this table.							
TEST I	Check manual tune in fine range. If the readout does not add and subtract properly proceed to part 2 of this test. NOTE: Above 1.3 GHz the frequency increments in 2 Hz steps.							
PART 1								
1	In auto test mode key in kHz. Set to manual test mode by momentarily grounding the MAN TP. Set to state Manually Clock	4/1 1/9						
2	Hold CTR FREQ key down NOTE If the 'next state' does not appear as shown in the succession column reset to the previous state before making test shown. Manually clock Manually clock Manually clock Manually clock Manually clock Release CTR FREQ key while checking instructions. NOTE: Check for short in wiring to RF Section J6 Pin 9.	4/9 5/9 6/9 6/10 5/7 1/12	INC	MNE QE1 INC F3 CF OFS KTT TTM CK10 JF3	A1A4XA4-2 7 A1A4XA4-1 M A1A4XA4-1 F A1A4XA4-1 A A1A4XA4-1 D A1A4XA4-26 A1A5XA5-2 P A1A4XA4-2 14 A1A4XA4-2 17 A1A4XA4-1 A	L H L L H H L L L	A1A4 A1A4 A1A4 A1A4 A1A4 cont. cont. cont. cont.	A1A1 A1A2 A1A2 A1A2 A1A2 NOTE A1A5 A1A4 A1A4 A1A2

8-39

Table 8-10. Center Frequency Readout Faulty (3 of 5)

Step	Symptom or Instruction	State Succession	Check Instruction	If Next State Wrong - Check	Test Point Location	Logic Level	Repair or Replace																																								
							If OK	If Wrong																																							
3	Hold CTR FREQ key down Release CTR FREQ key while checking instructions Manually clock	2/2 2/4 4/3 2/5 5/5	KIT TTA TTC TTRO SCDP CK10	CKB QA F7 CF CKB	A1A5XA5-1 P A1A4XA4-1 3 A1A4XA4-1 D A1A5XA5-2 P A1A4XA4-1 14 A1A5XA5-1 E A1A4XA4-2 15 A1A5XA5-1 12 A1A4XA4-2 17 A1A5XA5-1 P	H L H H L H L L L H	A1A4 A1A4 A1A4 cont. cont. cont. cont. cont. cont. A1A4 A1A6	A1A5 A1A6 A1A4 A1A2 A1A5 A1A4 A1A5 A1A4 A1A5 A1A4 A1A5																																							
									PART 2	1	Set to manual test mode by momentarily grounding the MAN TP. Set to state	0/4 4/4	QUI	A1A4XA4-2 10	L	A1A4	A1A2																														
																		2	Set to state	0/0 6/14	KPB F1 SWI MNE QE1	A1A4XA4-1 8 A1A4XA4-2 H A1A4XA4-1 N A1A4XA4-2 7 A1A4XA4-1 M	H L L L L	A1A4 A1A4 A1A4 A1A4 A1A4	A1A1 A1A1 A1A1 A1A1 A1A2																						
																										3	Set to state	0/0 2/2	QA	A1A4XA4-1 3		A1A4	A1A6														
																																		Manually clock	2/4 4/3 4/5 2/7 5/5 6/6 3/7	F7 CF NINC CKB OFS CFR	A1A4XA4-1 D A1A4XA4-1 11 A1A5XA5-1 P A1A4XA4-2 6 A1A4XA4-1 J	L L H H L	A1A4 A1A4 A1A4 A1A4 A1A4 A1A6	A1A4 A1A2 A1A3 A1A5 NOTE A1A1							
																																									NOTE	If OFS is wrong, check wiring to and through A1A11 to RF Section J6 Pin 9.					

Table 8-10. Center Frequency Readout Faulty (4 of 5)

Step	Symptom or Instruction	State Succession	Check Instruction	If Next State Wrong - Check	Test Point Location	Logic Level	Repair or Replace	
							If OK	If Wrong
TEST II	Check manual tune in fine range. If the readout does not add and subtract properly proceed to part 2 of this test.							
PART 1								
1	Set to manual test mode by momentarily grounding the MAN TP. Set to state	6/0		NUM	A1A4XA4-1 C	H	A1A4	A1A2
	Hold in any numbered key. Manually clock	6/1	RKB	F2	A1A4XA4-2 18	L	A1A4	A1A4
	Manually clock	1/5			A1A5XA5-2 L	L	cont.	A1A5
	Release numbered key while checking instructions		RF2					
				NUM	A1A4XA4-2 8 A1A4XA4-1 C	L H	cont. A1A4	A1A2 A1A2
2	Manually clock	0/2						
	Set to state	0/0						
	Set to state	6/1		F2	A1A4XA4-2 18	H	A1A4	A1A4
	Manually clock	0/2	CK10	no check				
	Manually clock	0/3			CKB	A1A4XA4-2 17 A1A5XA5-1 P	L H	cont. A1A4
	Manually clock	6/14						
3	Set to state	0/0		RMT	A1A4XA4-1 6	L	A1A4	A1A3
	Set to state	5/10						
	Manually clock	0/0						
4	Extend A1A1 on an extender board. Set to manual test mode by momentarily grounding the MAN TP. Set to state	0/2	ETK0 K0TK					
	Manually clock	0/3				A1A1XA1-2 15 A1A1XA1-2 S	L L	cont. A1A2
PART 2								
1	Set to manual test mode by momentarily grounding the MAN TP. Set to state	0/0		F10	A1A4XA4-2 M	H	cont.	A1A1

Model 8660C

Service

Table 8-10. Center Frequency Readout Faulty (5 of 5)

Step	Symptom or Instruction	State Succession	Check Instruction	If Next state wrong - check	Test Point Location	Logic Level	Repair or Replace	
							If OK	If Wrong
1	(Cont'd) Hold in any numbered key. Manually clock Manually clock Manually clock Manually clock	4/0		F7		H	A1A4	A1A4
		5/0		DP	A1A4XA4-1 2	H	A1A4	A1A2
		6/0		NUM	A1A4XA4-1 C		A1A4	A1A2
		6/1						
2	Extend A1A1 on an extender board. Set to manual test mode by momentarily grounding the MAN TP. Set to state	0/0	KD2		A1A1XA1-1 12	L	A1A1	A1A2
	NOTE Hold in a numbered key while checking KD2.							

Table 8-11. BCD Data to Mainframe Incorrect (1 of 2)

Step	Symptom or Instruction	State Succession	Check Instruction	If Next state wrong - check	Test Point Location	Logic Level	Repair or Replace	
							If OK	If Wrong
	Center frequency DCU output data to mainframe loops is incorrect. Center frequency readout is correct. NOTE: BCD data to the mainframe should be 1/2 of the CF readout.							
1	Press STEP ↑ key repeatedly and observe PD.		PD		A1A5XA5-1 4	Flash L to H	con't	A1A5
2	Enter CLEAR KYBD, Hz, & CF (CF readout is blank).							
3	Enter 11.111111 MHz STEP ↑;							

Table 8-11. BCD Data to Mainframe Incorrect (2 of 2)

Step	Symptom or Instruction	State Succession	Check Instruction	If Next state wrong - check	Test Point Location	Logic Level	Repair or Replace	
							If OK	If Wrong
4	<p>Check mainframe output frequency with counter. If frequency is not the same as entered frequency, switch Sweep Mode from OFF to AUTO and back to OFF. Check output frequency again.</p> <p>*Possibly one or two digits only are faulty. Continue with Step 5 to detect faulty digit. IC corresponding to faulty digit on A10 may be replaced.</p>						A1A9	A1A10*
5	<p>Enter STEP ↑. Check for counter reading 22.222222 MHz. Repeat STEP ↑ and check with counter. Faulty digit will give incorrect reading.</p>							

Model 8660C

Table 8-12. Readout is Partially Displayed or Incorrect (1 of 2)

Step	Symptom or Instruction	State Succession	Check Instruction	If Next state wrong - check	Test Point Location	Logic Level	Repair or Replace	
							If OK	If Wrong
1	<p>Check readout with the following entries: 11 111 111 Hz 44 444 444 Hz 22 222 222 Hz 88 888 888 Hz If ALL digits show any other number, or an odd character, repair or replace A1A3.</p>							
2	<p>If the readout is incorrect but not as defined in step 1, connect a frequency counter to the RF Section output. Enter If the counter reading is not the same as the frequency entered, refer to Table 8-10.</p>							

8-43

Service

Table 8-12. Readout is Partially Displayed or Incorrect (2 of 2)

Step	Symptom or Instruction	State Succession	Check Instruction	If Next State Wrong - Check	Test Point Location	Logic Level	Repair or Replace	
							If OK	If Wrong
3	<p>When the counter reading in step 2 is the same as the keyboard entry:</p> <p>a. If the readout right hand six digits is defective replace A1A12U2.</p> <p>b. If the readout of the remaining digits is defective replace A1A12U1.</p> <p>c. If both sides of the readout are faulty refer to Table 8-13.</p>							

Table 8-13. Only 1 or 2 Half-Digits Displayed

Step	Symptom or Instruction	State Succession	Check Instruction	If Next State Wrong - Check	Test Point Location	Logic Level	Repair or Replace	
							If OK	If Wrong
1	Use extender boards to extend A1A3		RSCAN		A1A3XA3-2 5	Square wave 1.2 ms	Step 2	Step 4
2	Use extender boards to extend A1A1		ROCK		A1A1XA1-2 E	10 kHz Clock	A1A12	A1A1
3	Check cabling to A1A12							
4			SCANCK		A1A1XA1-2 5	5 kHz Clock	A1A3	A1A1

Table 8-14. Center Frequency Readout Does Not Justify Correctly

Step	Symptom or Instruction	State Succession	Check Instruction	If Next State Wrong - Check	Test Point Location	Logic Level	Repair or Replace	
							If OK	If Wrong
1	Hold KYBD pushbutton and enter 10 MHz, then 10 kHz, then 10 Hz. If the readout justifies correctly refer to Table 8-14.							
2	If justification was incorrect in step 1 Hold in the Hz key		QU1		A1A4XA4-2 10	H	cont.	A1A2
3	Press Hz key several times		JUS		A1A5XA5-2 H	H→L	A1A3	cont.
4	Set to manual mode by momentarily grounding the MAN TP and hold the Hz key down. Set to state Manually clock	0/4 1/6					A1A5	A1A4

Table 8-15. Readout Does Not Justify with Only One Units Key (1 of 2)

Step	Symptom or Instruction	State Succession	Check Instruction	If Next State Wrong - Check	Test Point Location	Logic Level	Repair or Replace	
							If OK	If Wrong
1	Use extender boards to extend A1A2 and press the units key that does not respond		GHz MHz kHz Hz		A1A2U21 pin 8 A1A2XA2-1 L A1A2XA2-1 K A1A2XA2-1 13	H H H H	A1A3 A1A3 A1A3 A1A3	cont. cont. cont. cont.
2	Use a Logic Probe (or an oscilloscope) to check for a clock while pressing the units key which does not respond		GHz MHz kHz Hz		A1A2U26 pin 11 A1A2U26 pin 7 A1A2U26 pin 5 A1A2U26 pin 4	L L L L	A1A2 A1A2 A1A2 A1A2	cont. cont. cont. cont.

**SERVICE
INFORMATION**

CON'T

Table 8-15. Readout Does Not Justify with Only One Units Key (2 of 2)

Step	Symptom or Instruction	State Succession	Check Instruction	If Next State Wrong - Check	Test Point Location	Logic Level	Repair or Replace	
							If OK	If Wrong
3	Verify presence of dc voltages	-10V			A1A2XA2-2 L	-10V	cont.	Power Supply
		+20V			A1A2XA2-2 11	+20V	cont.	Power Supply
			100 KCK		A1A2XA2-1 9		A1A2	A1A1
	<p>NOTE Check the interconnections between the keyboard and A1A11.</p>							

Table 8-16. Either STEP ↑ or STEP ↓ Operation Defective (1 of 2)

Step	Symptom or Instruction	State Succession	Check Instruction	If Next State Wrong - Check	Test Point Location	Logic Level	Repair or Replace	
							If OK	If Wrong
1	If STEP ↑ is defective proceed to step 1 If STEP ↓ is defective proceed to step 2							
	Set to manual test mode by momentarily grounding the MAN TP. Set to state	5/13						
	Hold STEP ↑ key in			QAD	A1A4XA4-1 7	H	A1A4	A1A2
	Manually clock	1/15	ADD	CKB	A1A5XA5-1 6	H	cont.	A1A5
	Manually clock	3/3			A1A5XA5-1 P	H	A1A4	A1A5
	<p>NOTE If the manual tune up is also defective, repair or replace A1A7, not A1A5.</p>							

Table 8-16. Either STEP ↑ or STEP ↓ Operation Defective (2 of 2)

Step	Symptom or Instruction	State Succession	Check Instruction	If Next State Wrong - Check	Test Point Location	Logic Level	Repair or Replace	
							If OK	If Wrong
2	Set to manual test mode by momentarily grounding the MAN TP. Set to state	5/13						
	Hold STEP ↓ key in			QAD	A1A4XA4-1 7	L	A1A4	A1A2
	Manually clock	1/14	ADD	CKB	A1A5XA5-1 6	L	cont.	A1A5
	Manually clock	5/2		QB	A1A5XA5-1 P	H	A1A4	A1A5
	Manually clock	3/3			A1A4XA4-1 5	L	A1A4	A1A5
	NOTE If the manual tune down is also defective, repair or replace, A1A7, not A1A5.						A1A5	
							NOTE	

Table 8-17. Both STEP ↑ and STEP ↓ Defective at the RF Output (1 of 2)

Step	Symptom or Instruction	State Succession	Check Instruction	If Next State Wrong - Check	Test Point Location	Logic Level	Repair or Replace	
							If OK	If Wrong
1	Enter 10 MHz CF and 1 kHz STEP ↑. Press STEP display pushbutton. Does the readout display show 9 digits with the same character for most; If yes, repair or replace A1A6.							
2	Key in Hz on the keyboard and set to manual mode by momentarily grounding the MAN TP. Hold in STEP ↑ key.							
	Set to state	5/9		INC	A1A4XA4-1 F	H	A1A4	A1A2
	Manually clock	5/6		F3	A1A4XA4-1 A	L	A1A4	A1A2
	Manually clock	1/13	KTT		A1A5XA5-2 P	H	cont.	A1A5
			TTI		A1A5XA5-2 9	L	cont.	A1A5
			CK10		A1A4XA4-2 17	L	cont.	A1A4
	Manually clock	5/13		CKB	A1A5XA5-1 P	H	A1A4	A1A5
				QAD	A1A4XA4-1 7	H	A1A4	A1A2

Model 8660C

Service

Table 8-17. Both STEP ↑ and STEP ↓ Defective at the RF Output (2 of 2)

Step	Symptom or Instruction	State Succession	Check Instruction	If Next State Wrong - Check	Test Point Location	Logic Level	Repair or Replace	
							If OK	If Wrong
2 (cont)	Manually clock	1/15	CTR ITS	CKB	A1A5XA5-1 K A1A5XA5-1 D A1A5XA5-1 P	H	cont. cont. A1A4	A1A5 A1A5 A1A5
	Manually clock	3/3						
	Set to state	0/0						
	Set to state	4/3		CF	A1A4XA4-1 D	L	A1A4	A1A2
Manually clock	Manually clock	2/7	CTT TTA CK10	CKB	A1A5XA5-1 10 A1A4XA4-1 14 A1A4XA4-2 17 A1A5XA5-1 P	H L L H	cont. cont. cont. A1A4 A1A6	A1A5 A1A5 A1A5 A1A5
	Manually clock	5/5						

Table 8-18. Manual STEP Defective

Step	Symptom or Instruction	State Succession	Check Instruction	If Next State Wrong - Check	Test Point Location	Logic Level	Repair or Replace	
							If OK	If Wrong
1	Select manual step NOTE Check continuity between A1A1, mother board, cabling and the switch.		STEP STEP		A1A4XA4-2 D A1A1XA1-1 R	L L	A1A4 SEE NOTE	cont.

Table 8-19. Manual Tune Mode Inoperative

Step	Symptom or Instruction	State Succession	Check Instruction	If Next State Wrong - Check	Test Point Location	Logic Level	Repair or Replace	
							If OK	If Wrong
1	Select fine tune. While turning the manual sweep tuning knob		MNE		A1A4XA4-2 7	Flashes	Step 2	cont.
	Use extender boards to extend A1A1. While turning the tuning knob		CW CCW		A1A1U12 pin 4 A1A1U12 pin 5	Flashes Flashes	A1A1 A1A1	A1A17 A1A17
2	Set to manual mode by momentarily grounding MAN TP and turn manual tune a part of a turn.		RENC		A1A5XA5-1 F A1A4XA4-2 7	H H	cont. A1A4	A1A5 A1A1
	Set to state Manually clock	1/9		MNE				
	Set to state	5/15						
	Set to state Manually clock	0/0 4/8 2/1		NTS	STEP	A1A4XA4-2 D A1A5XA5-2 T	H L	A1A4 cont.
Use extender boards to extend A1A7 and set to manual mode by momentarily grounding the MAN TP.	Set to state	2/1	PRENC OTS MTR TR0 TR1 TR2 TR3		A1A7XA7-1 5 A1A7U7 pin 12 A1A7U1 pin 1 A1A7U3 pin 13 A1A7U3 pin 2 A1A7U16 pin 5 A1A7U16 pin 4	H H L H H H L	cont. cont. cont. cont. cont. cont. cont.	A1A5 A1A5 A1A5 A1A1 A1A1 A1A1 A1A1
	NOTE If TR0, TR1, TR2, or TR3 are not as shown in the logic level column refer to Table 8-20.							

Table 8-20. Manual Tune Defective on One Range, Fine, Medium or Coarse

Step	Symptom or Instruction	State Succession	Check Instruction	If Next State Wrong - Check	Test Point Location	Logic Level	Repair or Replace	
							If OK	If Wrong
1	Extend A1A7 on extender board check the defective range as shown COARSE MEDIUM FINE Re-install A1A7		TR1 TR2 TR3		A1A7XA7-1 6 A1A7XA7-1 7 A1A7XA7-1 H	L L L	A1A7 A1A7 A1A7	cont. cont. cont.
2	Extend A1A1 on extender boards and check as shown NOTE Check continuity of A1A11 (mother board), A1A1, cabling and switch.		TR1 TR2 TR3		A1A1J1 pin 7 A1A1J1 pin 6 A1A1J1 pin 5	L L L	SEE NOTE	

Table 8-21. Either Up or Down Manual Tune Defective (1 of 2)

Step	Symptom or Instruction	State Succession	Check Instruction	If Next State Wrong - Check	Test Point Location	Logic Level	Repair or Replace	
							If OK	If Wrong
1	Select fine manual tune and turn the manual tune knob Extend A1A1 on the extender boards and rotate the manual tune knob If up tune is defective proceed to step 2 If down tune is defective proceed to step 3		PLS CCW CW		A1A4XA4-1 K A1A1J1 pin 10 A1A1J1 pin 11	Flash Flash Flash	Step 2 or 3 A1A1 A1A1	cont. A1A17 A1A17

Table 8-21. Either Up or Down Manual Tune Defective (2 of 2)

Step	Symptom or Instruction	State Succession	Check Instruction	If Next State Wrong - Check	Test Point Location	Logic Level	Repair or Replace	
							If OK	If Wrong
2	Turn manual tune knob to set PLS level		PLS		A1A4XA4-1 K	H		
	Set to manual mode by momentarily grounding MAN TP	5/15		PLS	A1A4XA4-1 K	H	A1A4	cont.
	Set to state	4/8		STEP	A1A4XA4-2 D	H	A1A4	A1A1
	Manually clock	2/1	ADD	CKB	A1A5XA5-1 G A1A5XA5-1 P	H	cont. A1A4 A1A5	A1A5 A1A5
	Manually clock	3/3					NOTE	
	NOTE							
	If STEP ↓ is also defective repair or replace A1A7, not A1A5.							
3	Turn manual tune knob to set PLS level		PLS		A1A4XA4-1 K	L		
	Set to manual mode by momentarily grounding the MAN TP	5/15		PLS	A1A4XA4-1 K	L	A1A4	cont.
	Set to state	5/3		STEP	A1A4XA4-2 D	H	A1A4	A1A1
	Manually clock	2/0	ADD	CKB	A1A5XA5-1 G A1A5XA5-1 P	L	cont. A1A4	A1A5 A1A5
	Manually clock	5/2		QB	A1A4XA4-1 S	H	A1A4	A1A7
	Manually clock	3/3				L	A1A5	
	NOTE						NOTE	
	If STEP ↑ is also defective repair or replace A1A7, not A1A5.							

Model 8660C

Service

Table 8-22. Auto Sweep Defective at All Sweep Rates (1 of 2)

Step	Symptom or Instruction	State Succession	Check Instruction	If Next State Wrong - Check	Test Point Location	Logic Level	Repair or Replace	
							If OK	If Wrong
1	Enter 10 MHz CF and 10 kHz SWP WIDTH. Press sweep width display pushbutton. If the display is correct proceed to step 3. If not, proceed to step 2.							
2	Set to manual test mode by momentarily grounding the MAN TP. Set to state Manually clock	6/10	KTT TTF JF3 CK10	CF	A1A4XA4-1 D	L	A1A4	A1A2
		1/11			A1A5XA5-2 P	H	cont.	A1A5
2	Manually clock	6/6		CKB	A1A5XA5-2 N	L	cont.	A1A5
					A1A5XA5-2 2	L	cont.	A1A5
3	Switch to Auto sweep and fast rate. Set to manual test mode by momentarily grounding the MAN TP. Set to state Manually clock Manually clock Manually clock Manually clock Manually clock Manually clock Manually clock NOTE Flashes high when going from state 5/12 to state 3/1 only.	4/1	JF7A	SW1	A1A4XA4-1 N	H	A1A4	A1A1
		0/13			A1A4XA4-2 L	L	cont.	A1A1
		3/14		No check	A1A4XA4-1 N	H	A1A4	A1A1
		3/12		SW1	A1A4XA4-2 H	L	A1A4	A1A1
		0/10		F1	A1A4XA4-2 12	H	A1A4	A1A1
		0/11		QSP	A1A4XA4-2 13	L	A1A4	A1A1
		5/11		QMSW	A1A4XA4-1 9	L	A1A4	A1A8
		5/12		QCTM	A1A4XA4-1 H	H	A1A4	A1A1
		3/1		Q100	A1A5XA5-1 5	NOTE	cont.	A1A5
				FTS	A1A5XA5-1 M	H	cont.	A1A5
				A2TR	A1A5XA5-1 6	H	cont.	A1A5
				ADD	A1A5XA5-1 13	H	cont.	A1A5
				CUP	A1A5XA5-1 1	L	cont.	A1A5
				CK1213	A1A4XA4-2 17	L	cont.	A1A4
				CK10	A1A4XA4-2 16	H	cont.	A1A4
	UTT	A1A4XA4-2 14	L	cont.	A1A4			
	TTM	A1A4XA4-1 14	L	cont.	A1A4			
	TTA	A1A5XA5-1 R	H	A4 if both	A1A5			
		CKA						
				CKB	A1A5XA5-1 P	H	OK	A1A5

Table 8-23. Auto Sweep Defective at One Sweep Rate (1 of 2)

Step	Symptom or Instruction	State Succession	Check Instruction	If Next State Wrong - Check	Test Point Location	Logic Level	Repair or Replace	
							If OK	If Wrong
1	Enter 10 MHz CF and 10 kHz SWP WIDTH. If fast rate is defective proceed to step 2. If slow or medium rates are defective proceed to step 3.							
2	Set to auto sweep and fast rate. Set to manual test mode by momentarily grounding the MAN TP. Set to state Manually clock	5/12 2/12		Q100 CKA CKB	A1A4XA4-1 H A1A5XA5-1 R A1A5XA5-1 P	H H H	A1A4 A1A4 If both OK	A1A1 A1A5 A1A5
	Manually clock	6/2					cont.	A1A4
	Manually clock	3/4	ATR		A1A5XA5-1 L	H	cont.	A1A5
	Manually clock		UTT		A1A4XA4-2 16	H	cont.	A1A4
	Manually clock		CK10		A1A4XA4-2 17	L	cont.	A1A4
	Manually clock		TTRO		A1A4XA4-12 15	L	cont.	A1A4
	Manually clock		ADD		A1A5XA5-1 6	H	cont.	A1A5
	Manually clock		RENC		A1A5XA5-1 F	H	cont.	A1A5
	Manually clock			CKB	A1A5XA5-1 P	H	A1A4	A1A5
	Set to auto mode. Switch to manual sweep and tune manual sweep until the output frequency exactly equals 10.005 MHz. Set to manual test mode by momentarily grounding the MAN TP.							
	Manually clock	4/14		QCFM	A1A4XA4-1 9	L	A1A4 A1A4	A1A8 A1A8
3	Switch to auto sweep and medium or slow rate. Set to manual test mode by momentarily grounding the MAN TP. Set to state Manually clock	5/12 3/0	A3TR FTS ADD	Q100	A1A4XA4-1 H A1A5XA5-1 8 A1A5XA5-1 5 A1A5XA5-1 6	L H H H	A1A4 cont. cont. cont.	A1A1 A1A5 A1A5 A1A5

Table 8-23. Auto Sweep Defective at One Rate (2 of 2)

Step	Symptom or Instruction	State Succession	Check Instruction	If Next State Wrong - Check	Test Point Location	Logic Level	Repair or Replace	
							If OK	If Wrong
3	Cont'd Manually clock Set to auto mode. Switch to manual sweep and tune manual sweep until center frequency exactly equals 10.005 MHz. Set to manual test mode by momentarily grounding the MAN TP. Set to state Manually clock	6/5	CUP CK1213 CK10 UTT TTM TTA	CKA CKB	A1A5XA5-1 13 A1A5XA5-1 1 A1A4XA4-2 17 A1A4XA4-2 16 A1A4XA4-2 14 A1A4XA4-1 15 A1A5XA5-1 R A1A5XA5-1 P	H L L H L L H H	cont. cont. cont. cont. cont. cont. A1A4 if both OK	A1A5 A1A5 A1A4 A1A4 A1A4 A1A4 A1A5 A1A5

Table 8-24. Single Sweep Defective

Step	Symptom or Instruction	State Succession	Check Instruction	If Next State Wrong - Check	Test Point - Check	Logic Level	Repair or Replace	
							If OK	If Wrong
1	Enter 10 MHz CF and 5 MHz SWP WIDTH. Switch to single sweep and any sweep rate. Set to manual test mode by momentarily grounding the MAN TP. Press single sweep pushbutton once. Set to state Manually clock NOTE Check cabling to switches before replacing A1A1.	3/15 2/9	RQSS	QSS	A1A4XA4-2 B A1A5XA5-2 F	H H	A1A4 A1A1	A1A1 A1A5

Table 8-25. Manual Sweep Defective (1 of 4)

Step	Symptom or Instruction	State Succession	Check Instruction	If Next State Wrong - Check	Test Point Location	Logic Level	Repair or Replace	
							If OK	If Wrong
1	Extend A1A4 on extender boards. Enter 10.000500 CF and 1 kHz SWP WIDTH. Switch to manual sweep. If manual sweep up is defective proceed to step 3. If manual sweep down is defective proceed to step 4.							
2	Turn manual sweep to set PLS at A1A4XA4-1 pin K to the high level (very sensitive setting). Set to manual test mode by momentarily grounding the MAN TP.							
	Set to state	0/15		QMSW	A1A4XA4-2 13	H	A1A4	A1A1
	Manually clock	2/13						
	Set to state	0/0						
	Set to state	0/14		QMSW	A1A4XA4-2 13	H	A1A4	A1A1
	Manually clock	2/12						
	Set to state	0/0						
	Set to state	0/11		QMSW	A1A4XA4-2 13	H	A1A4	A1A1
	Manually clock	0/12		PLS	A1A4XA4-1 K	H	A1A4	A1A1
	Manually clock	6/12		IUP	A1A4U14 pin 9	L	A1A4	cont.
	Manually clock	2/12		CKA	A1A5XA5-1 R	H	A1A4 if both	A1A5
							OK	A1A5
	Manually clock	4/14		CKB	A1A5XA5-1 P	H		
	Manually clock	4/7		QCTM	A1A4XA4-1 9	L	A1A4	A1A8
	Manually clock	4/2		QCTZ	A1A4XA4-1 L	L	A1A4	A1A8
	Manually clock	2/2		OFS	A1A4XA4-2 6	H	A1A4	NOTE
	NOTE							
	If OFS is wrong, check wiring to A1A11.							
2	Set to auto mode. Rotate manual sweep to maximum frequency, exactly 10.001000 MHz. Set to manual test mode by momentarily grounding the MAN TP.							
	Set to state	4/14		QCTM	A1A4XA4-1 9	H	A1A4	A1A8
	Manually clock	2/10	JIUP		A1A4XA4-2 3	L	cont. A1A4	A1A5 A1A4
	Manually clock	4/2		No check				

Table 8-25. Manual Sweep Defective (2 of 4)

Model 8660C

Step	Symptom or Instruction	State Succession	Check Instruction	If Next State Wrong - Check	Test Point Location	Logic Level	Repair or Replace		
							If OK	If Wrong	
2	<p>Cont'd</p> <p>Set to state Set to state Manually clock Set to state Set to state Set to state Manually clock</p> <p>Set to auto mode. Rotate manual sweep to minimum frequency, exactly 10.000000 MHz. Set to manual test mode by momentarily grounding the MAN TP. Set to state Manually clock</p> <p>Manually clock Set to state Set to state Manually clock Set to state Set to state Set to state Manually clock</p>	0/0							
		6/12		IUP	A1A4U14 pin 9	H	A1A4	A1A4	
		3/14							
		0/0							
		2/13	KIUP		A1A4XA4-2 E	L	cont.	A1A5	
		0/0							
		6/12		IUP	A1A4U14 pin 9	L	A1A4	A1A4	
		2/12							
		4/7							
		2/11	JIDN	QCTZ	A1A4XA4-1 L A1A4XA4-2 C	H L	A1A4 cont. A1A4	A1A8 A1A5 A1A4	
3	<p>Sweep up is defective. Turn Manual sweep and set PLS at A1A4XA4-1 pin K to the high level (very sensitive setting). Set to manual test mode by momentarily grounding the MAN TP. Set to state Set to state Manually clock Manually clock</p>	4/2		No check					
		0/0							
		4/12		IDN	A1A4U14 pin 12	H	A1A4	A1A4	
		3/14							
		0/0							
		2/12	KIDN		A1A5XA5-2 5	L	cont.	A1A5	
		0/0							
		4/12		IDN	A1A4U14 pin 12	L	A1A4 A1A1	A1A4	
		2/13							
		0/0							
0/12									
6/12		PLS	A1A4XA4-1 K	H	A1A4	A1A1			
2/12		IUP	A1A4U14 pin 9	L	A1A4	A1A4			
			A1A5XA5-1 8	H	cont.	A1A5			
			A1A5XA5-1 5	H	cont.	A1A5			
			A1A5XA5-1 6	H	cont.	A1A5			

8-57

Service

Table 8-25. Manual Sweep Defective (3 of 4)

Step	Symptom or Instruction	State Succession	Check Instruction	If Next State Wrong - Check	Test Point Location	Logic Level	Repair or Replace										
							If OK	If Wrong									
3	Cont'd Manually clock Set to auto mode. Rotate manual sweep to maximum frequency, exactly 10.001000 MHz. Set to manual test mode by momentarily grounding the MAN TP. Set to state Manually clock Manually clock Set to state Set to state Manually clock	6/2 4/14 2/10 4/2 0/0 6/12 3/14	CUP KIDN RZER CK1213 CK10 UTT TTRO TTM TTA JIUP	CKA CKB QCTM No check IUP	A1A5XA5-1 13 A1A5XA5-2 5 A1A5XA5-2 S A1A5XA5-1 1 A1A4XA4-2 17 A1A4XA4-2 16 A1A4XA4-2 15 A1A4XA4-1 14 A1A4XA4-1 14 A1A5XA5-1 R A1A5XA5-1 P A1A4XA4-1 9 A1A4XA4-2 3 A1A4U14 pin 9	H H L L L H L L L L H H L H	cont. cont. cont. cont. cont. cont. cont. cont. cont. A1A4 if both OK	A1A5 A1A5 A1A5 A1A5 A1A4 A1A4 A1A4 A1A4 A1A4 A1A5 A1A5 A1A4 A1A5 A1A4									
									4	Sweep down is defective. Turn manual sweep and set PLS at A1A4XA4-1 pin K to the low level (very sensitive setting). Set to manual test mode by momentarily grounding the MAN TP. Set to state Set to state Set to state Manually clock Manually clock	2/12 0/0 0/12 4/12 2/13	KIDN A3TR	QCT2 PLS IDN	A1A5XA5-2 5 A1XA4-1 L A1A4XA4-1 K A1A4U14 pin 12 A1A5XA5-1 8	L H L L H	cont. A1A4 A1A4 A1A4 cont.	A1A5 A1A8 A1A1 A1A4 A1A5

Table 8-25. Manual Sweep Defective. (4 of 4)

Step	Symptom or Instruction	State Succession	Check Instruction	If Next State Wrong - Check	Test Point Location	Logic Level	Repair or Replace	
							If OK	If Wrong
			FTS ADD RENC CDN SQB CK1213 CK10 UTT TTRO TTM TTA		A1A5XA5-1 5 A1A5XA5-1 6 A1A5XA5-1 F A1A5XA5-2 E A1A5XA5-1 9 A1A5XA5-1 1 A1A4XA4-2 17 A1A4XA4-2 16 A1A4XA4-2 15 A1A4XA4-2 14 A1A4XA4-1 14 A1A5XA5-1 R	H L H L H L L H L L L H	cont. cont. cont. cont. cont. cont. cont. cont. cont. cont. cont. cont. A1A4 if both OK	A1A5 A1A5 A1A5 A1A5 A1A5 A1A4 A1A4 A1A4 A1A4 A1A4 A1A5
	Manually clock Manually clock	4/13 4/14		CKA CKB QB	A1A5XA5-1 P A1A4XA4-1 5	H H L		A1A5 A1A7
	Set to auto mode. Rotate manual sweep to minimum frequency (exactly 10.000000 MHz). Set to manual test mode by momentarily grounding the MAN TP. Set to state Manually clock	4/7 2/11	JIDN	QCTZ No check	A1A4XA4-1 L A1A4XA4-2 C	H L	A1A4 cont. A1A4	A1A8 A1A5 A1A4
	Manually clock Set to state Set to state Manually clock	4/2 0/0 4/12 3/14		IDN	A1A4U14 pin 12	H	A1A4 A1A1	A1A4

Table 8-26. Out of Range Indicator Inoperative (1 of 2)

Step	Symptom or Instruction	State Succession	Check Instruction	If Next State Wrong - Check	Test Point Location	Logic Level	Repair or Replace	
							If OK	If Wrong
1	Use a frequency counter to count the output rf frequency. If the center frequency stops at the upper frequency limit, proceed to step 3. Observe the dc level on the test point while tuning the center frequency above the upper limit.					Flash H	A1A4	cont.
2	If 86601A is being used: Extend A1A7 on the extender board		PILIM 13GL 16LIM OPID1 OPID2 OPID4		A1A7XA7-1 D A1A7XA7-1 4 A1A7XA7-2 K A1A7XA7-1 3 A1A7XA7-1 C A1A7XA7-1 B	L H H H H H	A1A6 A1A6 A1A6 A1A7 A1A7 A1A7	cont. cont. cont. cont. cont. cont.
	If 86602A is being used: Extend A1A7 on the extender board		PILIM 13GL 16LIM OPID 1 OPID2 OPID4		A1A7XA7-1D A1A7XA7-1 4 A1A7XA7-2 K A1A7XA7-1 3 A1A7XA7-1 C A1A7XA7-1 B	H L H L H H	A1A6 A1A6 A1A6 A1A7 A1A7 A1A7	cont. cont. cont. cont. cont. cont.

Table 8-26. Out of Range Indicator Inoperative (2 of 2)

Step	Symptom or Instruction	State Succession	Check Instruction	If Next State Wrong - Check	Test Point Location	Logic Level	Repair or Replace	
							If OK	If Wrong
2 cont.	<p>If 86603A is being used Extend A1A7 on extender board</p> <p>NOTE If any of the above checks are wrong repair interconnections.</p>		<p>PILIM 13GL 16LIM OPID1 OPID2 OPID4</p>		<p>A1A7XA7-1 D A1A7XA7-1 4 A1A7XA7-2 K A1A7XA7-1 3 A1A7XA7-1 C A1A7XA7-1 B</p>	<p>L H L H L H</p>	<p>A1A6 A1A6 A1A6 A1A7 A1A7 A1A7</p>	<p>cont. cont. cont. cont. cont. cont.</p>
3	<p>Check OUT OF RNG lamp at upper frequency limit</p> <p>At upper frequency limit check If lamp is on continuously</p> <p>Ground ERR pin at front of mother board. If the out of range lamp lights</p> <p>If the out of range lamp does not light, check the lamp and wiring.</p>		SIND2		A1A1XA1-1 4	<p>Blinks Flash L</p>	<p>A1A6 cont. A1A1 A1A1</p>	<p>cont. A1A6 cont.</p>

Table 8-27. KYBD Pushbutton Readout Defective

Step	Symptom or Instruction	State Succession	Check Instruction	If Next State Wrong - Check	Test Point Location	Logic Level	Repair or Replace	
							If OK	If Wrong
1	Set to manual test mode Set to state	6/14						
	Press KYBD pushbutton Manually clock	1/4	KTT TTRO CK10	KPB	A1A4XA4-1 B A1A5XA5-2 P A1A4XA4-2 15 A1A4XA4-2 17 A1A5XA5-1 P	L H L L H	A1A4 cont. cont. cont. A1A4 A1A7	A1A1 A1A5 A1A4 A1A4 A1A5
	Manually clock	3/6		CKB				
	NOTE If KPB is wrong, check A1A11 and cabling.							

Table 8-28. STEP Pushbutton Readout Defective

Step	Symptom or Instruction	State Succession	Check Instruction	If Next State Wrong - Check	Test Point Location	Logic Level	Repair or Replace	
							If OK	If Wrong
1	Set to manual test mode by momentarily grounding the MAN TP. Set to state	5/4						
	Hold in STEP pushbutton Manually clock	1/2	ITS	IPB	A1A4XA4-1 B A1A5XA5-1 D	L H	A1A4 cont.	NOTE A1A5
	Manually clock	3/6	XOR UTT TTRO CK10	CKB	A1A4XA4-2 R A1A4XA4-2 16 A1A4XA4-2 15 A1A4XA4-2 17 A1A5XA5-1 P	H H L L H	cont. cont. cont. cont. A1A4 A1A7	A1A5 A1A4 A1A4 A1A4 A1A5
	NOTE If wrong, check A1A1 and interconnections.							

Table 8-29. Sweep Width Pushbutton Readout Defective

Step	Symptom or Instruction	State Succession	Check Instruction	If Next State Wrong - Check	Test Point Location	Logic Level	Repair or Replace	
							If OK	If Wrong
1	Set to manual test mode by momentarily grounding the MAN TP. Set to state	6/4						
	Hold in the SWP WIDTH pushbutton Manually clock	1/3	FTS	FPB	A1A4XA4-1 4 A1A5XA5-1 5	L H	A1A4 cont.	NOTE A1A5
	NOTE If FPB is wrong, check A1A1 and wiring Manually clock	3/6	XOR UTT TTRO CK10	CKB	A1A5XA5-2 R A1A4XA4-2 16 A1A4XA4-2 15 A1A4XA4-2 17 A1A5XA5-1 P	H H L L H	cont. cont. cont. A1A4 A1A7	A1A5 A1A4 A1A4 A1A5

Table 8-30. Remote Control Problems (1 of 7)

Step	Symptom or Instruction	State Succession	Check Instruction	If Next State Wrong - Check	Test Point Location	Logic Level	Repair or Replace	
							If OK	If Wrong
1	Verify that the mainframe and the plug-ins operate properly in the local operating mode. Refer to Section III of this manual and verify that programming procedures are correct. If the flag signal is faulty in remote operation proceed to step 2, otherwise proceed to step 3.							
2	Measure voltage		FLAG		A3A1U3 pin 10	≥3.0V	cont.	cont.

Table 8-30. Remote Control Problems (2 of 7)

Step	Symptom or Instruction	State Succession	Check Instruction	If Next State Wrong - Check	Test Point Location	Logic Level	Repair or Replace	
							If OK	If Wrong
2	Cont'd Use a logic probe or an oscilloscope to monitor		FLAG		A3A1U3 pin 10	H	cont.	cont.
	Use a pulser probe to pulse		COMMAND		A3A1U3 pin 1	H→L Flash	cont.	A3A1
	Use a pulser probe to pulse		COMMAND		J3 pin 9	H→L Flash	NOTE 1	Check Cable
	NOTE 1 Tests indicate that external command source is defective.							
3	If remote control is completely inoperative proceed to step 4; if partially operative continue.							
	Is remote control of CTR FREQ or STEP inoperative? If yes, proceed to step 3-a, if no, proceed to step 3-B.							
3-a	NOTE 2 Checks that follow include various cables that should be checked for continuity before exchanging the indicated assembly. Use a pulser probe (or momentarily ground) J3 pin 9 to pulse the command line.							
	Check		D2-8 D2-4 D2-2 D2-1 CF STEP ↑ STEP ↓		A3A2U4 pin 1 A3A2U4 pin 14 A3A2U4 pin 11 A3A2U4 pin 8 A1A11XA11-2 33 A1A11XA11-2 34 A1A11XA11-2 36	L L L L L H H	cont. cont. cont. cont. cont. cont. cont.	A3A2 A3A2 A3A2 A3A2 A3A1 A3A1 A3A1

Table 8-30. Remote Control Problems (3 of 7)

Model 8660C

Step	Symptom or Instruction	State Succession	Check Instruction	If Next State Wrong - Check	Test Point Location	Logic Level	Repair or Replace	
							If OK	If Wrong
3-a	Cont'd Ground J3 pin 31 and pulse (or momentarily ground) J3 pin 9. Check		D2-8 D2-4 D2-2 D2-1 CF STEP ↑ STEP ↓		A3A2U4 pin 1 A3A2U4 pin 14 A3A2U4 pin 11 A3A2U4 pin 8 A1A11XA11-2 33 A1A11XA11-2 34 A1A11XA11 2 36	L L L H H L H	cont. cont. cont. cont. cont. cont. cont.	A3A2 A3A2 A3A2 A3A2 A3A1 A3A1 A3A1
	Remove the ground from J3 pin 31. Ground J3 pin 30 and pulse (or momentarily ground) J3 pin 9. Check		D2-8 D2-4 D2-2 D2-1 CF STEP ↑ STEP ↓		A3A2U4 pin 1 A3A2U4 pin 14 A3A2U4 pin 11 A3A2U4 pin 8 A1A11XA11-2 33 A1A11XA11-2 34 A1A11XA11-2 36	L L H L H H L	cont. cont. cont. cont. cont. cont. cont.	A3A2 A3A2 A3A2 A3A2 A3A1 A3A1 A3A1
3-b	If all check OK							
	See NOTE 2 If any modulation or rf output plug-in functions can be correctly programmed, continue; if not, proceed to step 3-c. Perform the following checks for the particular function which has failed. Ground J3 pins 13, 14, 15 and 16. ATTENUATION Ground J3 pins 30 and 31. Check			D2-8 D2-4 D2-2 D2-1		A3A2U4 pin 1 A3A2U4 pin 14 A3A2U4 pin 11 A3A2U4 pin 8	L L H H	cont. cont. cont. cont.

Table 8-30. Remote Control Problems (4 of 7)

Step	Symptom or Instruction	State Succession	Check Instruction	If Next State Wrong - Check	Test Point Location	Logic Level	Repair or Replace	
							If OK	If Wrong
3-b	Cont'd							
	Pulse command J3 Pin 9		Atten		J6 pin 24	Pulses L→H	cont.	A3A1
	AM-FM FCTN							
	Ground J3 pin 29 and pulse (or momentarily ground) J3 pin 9. Check		D2-8 D2-4 D2-2 D2-1		A3A2U4 pin 1 A3A2U4 pin 14 A3A2U4 pin 11 A3A2U4 pin 8	L H L L	cont. cont. cont. cont.	A3A2 A3A2 A3A2 A3A2
	Pulse command		AM-FM		J5 pin V	Pulses L→H	cont.	A3A1
	AM-FM %							
	Ground J3 pins 29 and 31 and pulse (or momentarily ground) J3 pin 9. Check		D2-8 D2-4 D2-2 D2-1		A3A2U4 pin 1 A3A2U4 pin 14 A3A2U4 pin 11 A3A2U4 pin 8	L H L H	cont. cont. cont. cont.	A3A2 A3A2 A3A2 A3A2
	Pulse command		AM-FM %		J5 pin U	Pulses L→H	cont.	A3A2
FM CAL								
Ground J3 pins 29 and 30 and pulse (or momentarily ground) J3 pin 9. Check		D2-8 D2-4 D2-2 D2-1		A3A2U4 pin 1 A3A2U4 pin 14 A3A2U4 pin 11 A3A2U4 pin 8	L H H L	cont. cont. cont. cont.	A3A2 A3A2 A3A2 A3A2	
Pulse command		FM CAL		J5 pin Z	Pulses L→H	cont.	A3A1	
RF FCTN								
Ground J3 pins 29, 30 and 31 and pulse (or momentarily ground) J3 pin 9. Check		D2-8 D2-4		A3A2U4 pin 1 A3A2U4 pin 14	L H	cont. cont.	A3A2 A3A2	

Table 8-30. Remote Control Problems (5 of 7)

Step	Symptom or Instruction	State Succession	Check Instruction	If Next State Wrong - Check	Test Point Location	Logic Level	Repair Replace	
							If OK	If Wrong
3-b	Cont'd Pulse command		D2-2 D2-1 RF RCTN		A3A2U4 pin 11 A3A2U4 pin 8 J6 pin 26	H H Pulses L→H	cont. cont. cont.	A3A2 A3A2 A3A1
3-c	If all checks are OK the problem is in the plug-in sections. See NOTE 2 Following pulse check occurs only once for each sequence of 1) and 2). 1). Ground J3 pins 28, 29, 30 and 31 and pulse (or momentarily ground) J3 pin 9. 2). Ground J3 pins 13, 14, 15 and 16. Check Pulse J3 pin 9 Repeat 1) and 2). Check Pulse J3 pin 9 Repeat 1) and 2). Check Pulse J3 pin 9 Repeat 1) and 2). Check Pulse J3 pin 9		PI-1 PI-2 PI-4 PI-8		A1A11XA11-2 3 A1A11XA11-2 37 A1A11XA11-2 22 A1A11XA11-2 28	Pulses L→H Pulses L→H Pulses L→H Pulses L→H	A3A1 A3A1 A3A1 A3A1	A1A6 A1A6 A1A6 A1A6
4	Remote control system is completely inoperative. Ground J3 pin 5. Check Check		LCL LCL RMT		A3A1U1 pin 5 A1A11XA11-2 29 A1A4XA4-1 6	L L H	cont. cont. cont.	A3A2 A3A1 A1A3

Table 8-30. Remote Control Problems (6 of 7)

Step	Symptom or Instruction	State Succession	Check Instruction	If Next State Wrong - Check	Test Point Location	Logic Level	Repair or Replace	
							If OK	If Wrong
4	<p>Cont'd If the front panel remote indicator is not on and panel controls are functional Pulse J3 pin 9</p> <p>Check</p> <p>Remove the ground from J3 pin 5. Press STEP ↑ one time. Ground J3 pin 5 again Check Pulse J3 pin 9</p> <p>Ground J3 pins 13, 14, 15 and 16 and Pulse J3 pin 9. Check</p> <p>Pulse J3 pin 9</p> <p>Pulse J3 pin 9</p> <p>Ground J3 pins 28, 29, 30 and 31 and pulse J3 pin 9.</p> <p>Pulse J3 pin 9 for each of the following checks</p>		CMND T		A3A2U1 pin 13	Pulses H→L	cont.	A1A1
			CMND T		A3A11XA11-2 32	Pulses H→L	cont.	A3A2
			F3		A1A4XA4-1 A	H H→L	cont.	A3A1
			D1-8		A3A1U2 pin 1	H	cont.	A1A2
			D1-4		A3A1U2 pin 14	H	cont.	A3A2
			D1-2		A3A1U2 pin 11	H	cont.	A3A2
			D1-1		A3A1U2 pin 8	H	cont.	A3A2
			CMND P		A1A11XA11-2 35	H		
			F10		A1A4XA4-2 M	L Pulses L→H	cont.	A3A1
			D2-8		A3A1U4 pin 1	H	cont.	A1A2
			D2-4		A3A1U4 pin 14	H	cont.	A3A1
			D2-2		A3A1U4 pin 11	H	cont.	A3A1
	D2-1		A3A1U4 pin 8	H	cont.	A3A1		
	RMT 8		A1A11XA11-2 24	Pulses H→L	cont.	A3A1		
	RMT 4		A1A11XA11-2 27	Pulses H→L	cont.	A3A1		

Table 8-30. Remote Control Problems (7 of 7)

Step	Symptom or Instruction	State Succession	Check Instruction	If Next State Wrong - Check	Test Point Location	Logic Level	Repair or Replace	
							If OK	If Wrong
4	Cont'd Remove grounds from J3 pins 28, 29, 30 and 31. Ground J3 pins 13, 14, 15 and 16 and pulse J3 pin 9 for each of the following checks. If all above checks are OK		RMT 2		A1A11XA11-2 23	Pulses H→L	cont.	A3A1
			RMT 1		A1A11XA11-2 20	Pulses H→L	cont.	A3A1
			RMT 8		A1A11XA11-2 24	Pulses H→L	cont.	A3A1
			RMT 4		A1A11XA11-2 27	Pulses H→L	cont.	A3A1
			RMT 2		A1A11XA11-2 23	Pulses H→L	cont.	A3A1
			RMT 1		A1A11XA11-2 20	Pulses H→L	cont.	A3A1
							A1A2	

Table 8-31. Harmonics Excessive Below 1300 MHz

Step	Symptom or Instruction	State Succession	Check Instruction	If Next State Wrong - Check	Test Point Location	Logic Level	Repair or Replace	
							If OK	If Wrong
	Check Doubler line <hr/> *Check continuity of line to plug-in.				A1A11XA11-1 26	H	A1A6*	86603A

Table 8-32. Output Frequency is Half Indicated Frequency Above 1300 MHz

Step	Symptom or Instruction	State Succession	Check Instruction	If Next State Wrong - Check	Test Point Location	Logic Level	Repair or Replace	
							If OK	If Wrong
	Check DBL Put A1A7 on Extender Board <hr/> *Plug-in or wiring from DCU to Plug-in.		PILIM 13GL 16LIM OPID-1 OPID-2 OPID-4		A1A11XA11-1 26 A1A7XA7-1 D A1A7XA7-1 4 A1A7XA7-2 P A1A7XA7-1 3 A1A7XA7-1 C A1A7XA7-1 B	L L H L H L H	A1A6 A1A6 A1A6 * * *	cont. cont. cont. A1A7 A1A7 A1A7

Table 8-33. Troubleshooting Option 005 Interface Circuits (1 of 2)

Step	Procedure	Take the following action or proceed to step shown
1	Check the instrument in the LOCAL mode as shown in Section III.	If the instrument does not operate properly proceed to Step 2. If the instrument operates properly proceed to Step 4.
2	Check LCL/RMT line on A3A2U9 pin 9.	If the level is high refer to the RF Section Troubleshooting. If level is low proceed to Step 3.
3	Check REN-H at A3XA5 pin 5.	If the level is high A3A2 is defective. If the level is low check the external controller or cabling.
4	Check +5V at A3XA4 pin L.	If the voltage is not correct, refer to Table 8-6. If the voltage is correct proceed to Step 5.
5	Check the 2 MHz input clock on A3A1.	If the 2 MHz clock is not present refer to the reference section troubleshooting tables. If the clock is present proceed to Step 6.
6	Check Center Frequency programming for both the mainframe and Plug-in.	If just Plug-in programming is defective, proceed to Step 7. If all programming modes are defective, proceed to Step 8.
7	Check to see if only Plug-in programming is defective.	If just Plug-in programming is bad proceed to Step 7-a. Otherwise proceed to Step 7-b, then Step 7-c.
7-a	Check PICK-L on A3A1U5 pin 8 for a burst of clock pulses when the Plug-in is addressed.	If the clock pulses are present proceed to Step 7-d. If the clock pulses are not present, trouble is in the DCU.
7-b	If only CF is defective, program a CF and check RMT CF-L at A3A1U4 pin 10.	If RMT CF-L steps low, trouble is in the DCU. If RMT CF-L does not step low, A3A1 is defective.
7-c	If only CF is defective program a CF Step ↑ and check level at A3A1U4 pin 3. Program a CF Step ↓ and check level at A3A1U4 pin 2.	If Step ↑ goes low, continue with test. If Step 7-c does not go low, A3A1 is defective. If Step ↓ goes low, trouble is in the DCU. If Step 7-c does not go low, trouble is in A3A1 assembly.
7-d	Check the output clocks to the plug-ins. A burst of clock pulses should appear on A3A1U5 pins as listed below: U5 pin 10 — FM CAL U5 pin 13 — AM/FM% U5 pin 4 — AM/FM Function U5 pin 1 — RF Attenuator	If any of the clocks do not appear verify that programming is correct. If the burst of address pulses does not appear for any function, A3A1 is defective.
8	If all programming modes are defective, remove the A3A2 assy and check the jumper pins for the following configuration: 1 — H } Normal 2 — H } Code for 3 — L } 8660 4 — L } (HP-IB) 5 — H }	If jumper pins are not as shown repair and replace the A3A2 Assy. If the jumper pins are correctly placed proceed to Step 9.

Table 8-33. Troubleshooting Option 005 Interface Circuits (2 of 2)

Step	Procedure	Take the following action or proceed to step shown
9	With an external controller enter a call-up address. Check A3A2U12 pin 8 MLA-L for correct action (Refer to SS 39).	If the circuit does not function properly, A3A2 is defective. If the circuit functions properly proceed to Step 10.
10	With an external controller program the 8660 to unlisten. Make the following checks on A3A2U9: Address F/F pin 9 - H pin 8 - L Remote F/F pin 5 - RMT-H pin 6 - RMT-L	If the address flip-flop is not functioning properly check A3A2U9 pin 13-H. If A3A2U9 pin 13 is high proceed to Step 10-a, if low, proceed to step 10-b. If checks are OK proceed to Step 11
10-a	Check A3A2U3 pins 4, 5-H.	If pin 5 is low, A3A1 is defective.
10-b	Same as 10-a.	If the Remote F/F is not functioning properly in Step 10, or if Step 10-a pin 4 is not functioning properly, A3A2 or the EOP-L input from the controller is defective.
11	Same as Step 10	If the tests in Step 10 are as shown, check A3A2 U2 pin 6-L and pin 11-H. If either or both checks are bad, proceed to Step 11-a. If both checks are good proceed to Step 11-b.
11-a	Check A3A2U3 pin 3 (ADR-H). It should go high after the Synthesizer address command.	If ADR-H does not go high, A3A2 is defective.
11-b	If Step 11-a checks properly check A3A2U1 pin 3 (INSL-L). It should go high during Synthesizer address and data commands.	If INSL-L does not go high when it should, A3A2 is defective. If INSL-L functions properly, proceed to Step 12.
12	Check A3A1U9 pin 6 CMDT-L. It should go low during the data transfer address command.	If this point does not switch low, A3A1 is defective. If it does switch low, proceed to Step 12-b.
12-b	Check A3A1U4 pin 10 for the RMT CF-L when CF is addressed and during the transfer command.	If this point does not switch low, A3A1 is defective. If it does switch low, trouble is in the DCU.

Table 8-34. Troubleshooting the Reference Section (1 of 2)

Test Equipment Required:

Oscilloscope (with 10:1 divider probes)	HP180A/1801A/1821A
VLF Comparator	HP 117A
Spectrum Analyzer	HP 140/8554L/8552
Electronic Counter	

PROCEDURE:

1. Internal Reference Accuracy Adjustment (see Figure 5-3), (allow adequate warmup time).
2. Use the Digital Voltmeter to verify the presence of dc operating voltages at all assemblies before beginning tests. Proceed to next step.
3. Disconnect the REF INPUT cable from A4A2. Use the Spectrum Analyzer and the counter to verify the presence of the reference signal at the cable output (10 MHz, at least +5 dBm).
4. Set the rear panel REFERENCE switch to EXT and apply a 1 Vrms 10 MHz signal to the reference INPUT. Recheck the signal at the end of the cable to the A4A2 assembly.
5. Signal is present — A22 assembly is defective. Order replacement or refer to Service Sheet and repair as necessary.
6. Set the rear panel REFERENCE switch to INT and check the output of the A21 reference oscillator — signal is present (check cable to A21) — signal is not present — A21 is defective. Order a replacement unit.
7. Use the Spectrum Analyzer and the Counter to verify the presence of the 100 MHz signal at the A4Q4 100 MHz output. Should be exactly 100 MHz, at least +10 dBm. Amplitude not as specified, A4A4 Assembly is defective. Order replacement assembly or refer to Service Sheet 3 and repair as required.
 - 7-a. Frequency is not as specified. Remove the covers from A4A3 and A4A2. Use an oscilloscope and a Counter to verify the presence of the 20 MHz input to A4A3. Should be 20 MHz \pm 1 MHz and at least 300 mV p-p. A4A4 assembly is defective. Order replacement assembly or refer to Service Sheet 3 and repair as required.
 - 7-b. Use an oscilloscope and a counter to verify the presence of the 20 MHz output from the A4A3 assembly. Should be 20 MHz \pm 1 MHz and at least 2V p-p — frequency or level is not as specified. A4A3 assembly is defective. Order a replacement assembly or refer to Service Sheet 3 and repair as required.
 - 7-c. Connect the oscilloscope to A4TP1. The oscilloscope should display a 20 nanosecond pulse at least 2V p-p. Pulse is present as specified.
 - 7-d. Use the DVM to check the dc level at the A4A2 "VCO" lead. Voltage should be about +12 to +14 volts. Voltage is as specified.
 - 7-e. Connect the counter to the 20 MHz OUTPUT from the A4A4 assembly. Verify that A4A4C2 can be adjusted to 20 MHz \pm 5 kHz.

NOTE

If the outputs from the A4A2 assemblies as specified in 7-c, 7-d and 7-e are not as specified, order replacement assemblies or refer to Service Sheet 3 and repair as required.

- 7-f. Adjustment called for in step 7-e cannot be made as per specifications called for in test 7-e — A4A4 assembly is defective. Order replacement assembly or refer to Service Sheet 3 and repair as required.

Table 8-34. Troubleshooting the Reference Section (2 of 2)

- 8-a. If the amplitude and frequency are as specified in test 7 use the Spectrum Analyzer and the Counter to check the 500 MHz output from the A4A4 assembly. Should be exactly 500 MHz and at least +3 dBm.
— Frequency or level is not as specified. A4A4 assembly is defective. Order an A4A4 assembly or refer to Service Sheet 3 and repair as required.
- 8-b. If the signal is as specified in step 8-a, use the Spectrum Analyzer and the Counter to check the 20 MHz output from the A4A4 assembly. Should be exactly 20 MHz and at a level between -3 and -6 dBm.
- 8-c. Frequency or level is not as specified. A4A4 assembly is defective. Order a replacement assembly or refer to Service Sheet 3 and repair as required.
- 8-d. If the signal is as specified use the Oscilloscope to check the 10 MHz output from the A4A4 assembly. Level should be greater than 1.5 V p-p. Use the counter to check the frequency. Frequency should be exactly 10 MHz. If frequency or level is not as specified, A4A3 assembly is defective. Order a replacement assembly or refer to Service Sheet 3 and repair as required.
- 8-e. If the signal is as specified in 8-d, use the oscilloscope and counter to check the reference outputs from the A4A1 assembly. The 2 MHz, 400 kHz, and both 100 kHz signals should be greater than 2V p-p.
- 8-f. Frequency or level is not as specified. Use an oscilloscope to check 10 MHz input to the A4A1 assembly from the A4A3 assembly. Level should be greater than 1.5V p-p. Signal is not as specified — A4A3 assembly is defective. Order replacement assembly or refer to Service Sheet 4 and repair as required. Signal is defective — order replacement assembly or refer to Service Sheet 2 and repair as required.
- 8-g. All signals from A4A1 assembly are correct. Reference loop is functioning properly.

NOTE

If a malfunction is found and corrected in the Reference Section, perform all of the alignment instructions for the Reference Section which appear in Section V.

Table 8-35. High Frequency Loop Troubleshooting (1 of 3)

Test Equipment Required:

Frequency Counter
Digital Voltmeter
Pulse Generator
Spectrum Analyzer
Signal Generator/Sweeper
Oscilloscope (with 10:1 divider probes)
Logic Analyzer

NOTE

The HP Analyzer may not be readily available. If it is not, other instruments may be substituted from Table 1-2 at the expense of additional funds and "out-of-service" time.

Table 8-35. High Frequency Loop Troubleshooting (2 of 3)

PROCEDURE:

1. Check that keyboard digit information is reaching the remote input and the HF Loop input. The MAN TP. should be grounded to enable using a single clock pulse until KDN-H is released. This enables the KDN-H to be held until adequate time has elapsed to complete the specified test.

Use the Spectrum Analyzer and a Counter to verify that the output at the rear (remote) connector of the A4A5 assembly is about +13 to +15 dBm at the frequencies shown.

Center Frequency Setting in MHz	Center Output MHz	Input Logic Level EOCBA pins
0 0 0	450.000000	00000
0 1 0	440.000000	00001
0 2 0	430.000000	00010
0 3 0	420.000000	00011
0 4 0	410.000000	00100
0 5 0	400.000000	00101
0 6 0	390.000000	00110
0 7 0	380.000000	00111
0 8 0	370.000000	01000
0 9 0	360.000000	01001
1 0 0	*350.000000	10000

*This frequency not used when F Section with
>110 MHz maximum Center Frequency is used.

If the frequencies are not correct use the DVM to check the logic levels at the A4A6 "A", "B", "C", "D" and "E" inputs. For frequencies shown in this Table logic levels should be as shown in the level column. 1 = high, about +3V.

2. All frequencies and levels are as specified. HF Loop is functioning properly.
3. Output is low or there is no output. A4A5 is defective. Order replacement assembly or refer to Service Sheet 3 and repair as required.
4. Input logic levels are not as specified. Check interconnections to the interface circuit. If connections are good, trouble is in the interface circuits of the DCU. Refer to Table 8-8.
5. Levels are as specified in test 1 but frequencies are not. Use the Oscilloscope and Counter to check the 10 MHz input to the A4A7 assembly. Should be greater than 1.5V p-p. If all frequencies and levels are as specified in Test 1 the HP Loop circuits are functioning properly. Proceed to Table 8-35.
6. If frequencies or levels are not as specified, trouble is in the Reference Section or cable A4W2. Check the cable, then return to the beginning of this test. If the cable is good, recheck the Reference Section.
7. If frequency and level is as specified, open the HF phase lock loop by removing the cable from the A4A5 350-450 MHz VCO OUTPUT. Use the Oscilloscope or the DVM to check the dc level on the lead marked ϕ between the A4A6 and A4A7 assemblies, the level should be $0V \pm 0.1V$. If the dc level is not as specified, the A4A7 assembly is defective. Order a replacement assembly or refer to Service Sheet 5 and repair as required.
8. If dc level is as specified refer to the first step in the HF Loop procedure and repeat the frequency portion of the test. Frequencies shown should be within ± 500 kHz. If the frequencies are not as specified, use the DVM to check the dc on the lead marked "freq" between the A4A5 and A4A6 assemblies. With

Table 8-35. High Frequency Loop Troubleshooting (3 of 3)

center frequencies at 0 MHz reading should be -34 Vdc. At 100 MHz it should be approximately -7 Vdc. If levels are not as specified, refer to Section V and perform the adjustment procedure.

- 8-a. If the adjustment procedure does not correct the problem, use the DVM to measure the lead "comp" in the A4A6 assembly. Should be about -37 V to -38 V.
- 8-b. If the levels are correct from test 8 or the voltage is not as specified in 8-a, the A4A5 assembly is defective. Order a replacement assembly or refer to Service Sheet 6 and repair as required.
- 8-c. If the voltage is as specified in 8-a the A4A6 assembly is defective. Order a replacement assembly or refer to Service Sheet 4 and repair as required.
- 9. Frequencies are as specified in test 8. Close the HF Loop by reconnecting the cable between the A4A6 and A4A7 assemblies. Use the Oscilloscope to check 2 to 3V p-p beat note at the lead labeled \emptyset on the A4A7 assembly.

NOTE

The beat frequency depends on how far the high frequency is out of lock.

- 9-a. The beat note is present. The A4A6 assembly is defective. Order a replacement assembly or refer to Service Sheet 5 and repair as required.
- 9-b. The beat note is present. The A4A7 assembly is defective. Order a replacement assembly or refer to Service Sheet 5 and repair as required.

NOTE

If repairs are required in any portion of the HF Loop perform the adjustment procedures outlined in Section V of this manual.

NOTES

1. The following five troubleshooting tables are arranged in the sequence of the output to the RF Section back to the inputs from the Reference Section. These Loops are commonly referred to as the LF (Low Frequency) Loops; all are physically mounted on the A2 Mother Board Assembly.
2. Since some of these notes are used in several places, they appear in Table 8-39 to avoid repetition.
3. Locations of the assemblies within these loops are shown in Figure 8-114.

Table 8-36. Summing Loop 1 Troubleshooting

Reference: Service Sheets 15, 16 and 17.		
Test Equipment Required (from Table 1-2): Digital Voltmeter Oscilloscope (with 10:1 probes) Frequency Counter		
Step	Procedure	Take the following action or proceed to step shown
1	Use the Oscilloscope and the Frequency Counter to check the N1 output at A2XA17-1 pin 2. Level should be greater than 0.4V p-p. For formula to calculate frequency see Note 5 of Table 8-39.	If the frequency is not as specified see Note 2 of Table 8-39 and proceed to Step 2. If the frequency and level are as specified, proceed to Step 3.
2	Proceed to Table 8-38 N1 Loop Troubleshooting.	Perform tests shown in Table 8-38.
3	Use the plug provided to ground A2TP14. Use the Frequency Counter to check the SL1 output at A2TP22.	See Note 6 of Table 8-41 to calculate frequency output. Frequency should be as calculated, ± 150 kHz. If frequency is not as calculated, proceed to Step 4 (also see Note 2 of Table 8-39). If frequency is as calculated, proceed to Step 5.
4	Use the DVM to check the dc levels at A2XA18-2 pin R. The level is controlled by digits 5, 6 and 7. With the digits set to 000, the level should be $-25.5V$ (typical). With the digits set to 999, the level should be about $-5.4V$. Intermediate steps should be about .02V.	If the level is not as specified the A18 assembly is defective. Order a replacement assembly or refer to Service Sheet 16 and repair as required. If the levels are as specified the A19 assembly is defective. Order a replacement or refer to Service Sheet 16 and repair as required.
5	Use the Frequency Counter to check the frequency at A2XA19 -1 pin 2. The frequency should be as calculated for Step 3.	If frequency is not as calculated the A19 assembly is defective. Order a replacement or refer to Service Sheet 17 and repair as required. If the frequency is correct, proceed to Step 6.
6	Use the Frequency Counter to check the frequency at A2TP19. The frequency should be the difference frequency between the N1 and SL1 outputs. If the frequency is as specified, trouble is in the Frequency Extension Module or the RF Section.	If the frequency is not as specified the A18 assembly is defective. Order a replacement or refer to Service Sheet 16 and repair as required. If the frequency is as specified, the A15 assembly is defective. Order a replacement or refer to Service Sheet 15 and repair as required.

Table 8-37. Summing Loop 2 Troubleshooting

Reference: Service Sheets 13 and 14		
Test Equipment Required (from Table 1-2): Oscilloscope (with 10:1 probes) Frequency Counter		
Step	Procedure	Take the following action or proceed to step shown
1	Use the Oscilloscope and the Frequency Counter to check the SL2 output at A2TP6. Level should be greater than 1V p-p. For the formula to calculate frequency see Note 1 of Table 8-39.	If the frequency and level are as specified, recheck Summing Loop 1 (Table 8-34). If the frequency and level are correct proceed to Step 2.
2	Use the Oscilloscope and the Frequency Counter to check the N2 output at A2XA13-1 pin 4. Level should be greater than 275 mV p-p. Refer to Note 3 of Table 8-39 for formula to calculate frequency.	If the frequency and level are not as specified, proceed to the N2 Loop Troubleshooting, Table 8-37. If the frequency and level are as specified, proceed to Step 3.
3	Use the Oscilloscope and the Frequency Counter to check the N3 output at A2XA8-1 pin 4. Level should be greater than 2V p-p. Refer to note 4 of Table 8-39 for formula to calculate frequency.	If the frequency and level are not as specified, proceed to the N3 Loop Troubleshooting, Table 8-38. If the frequency and level are as specified proceed to Step 4.
4	Use the plug provided to ground A2TP8. Use the Frequency Counter to check the SL2 output at A2XA11-1 pin 2. Refer to Note 1 of Table 8-39 for formula to calculate frequency. Should be ± 150 kHz.	If the frequency is as specified the A12 assembly is defective. Order a replacement assembly or refer to Service Sheet 13 and repair as required. If the frequency is not correct proceed to Step 5.
5	Use the Frequency Counter to check the output at A2TP6.	If the frequency is as specified in Step 4 the A11 assembly is defective. If the frequency is not as specified in Step 4 proceed to Step 6.
6	Remove the A12 assembly and repeat the test. The frequency should be the same as that calculated for Step 4.	If the frequency is as specified the A12 assembly is defective. Order a replacement assembly or refer to Service Sheet 13 and repair as required. If the frequency is not as specified the A11 assembly is defective. Order a replacement assembly or refer to Service Sheet 14 and repair as required.

Table 8-38. N3 Loop Troubleshooting

Reference: Service Sheets 11 and 12.		
Test Equipment Required (from Table 1-2): Oscilloscope (with 10:1 probes) Frequency Counter		
Step	Procedure	Take the following action or proceed to step shown
1	Use the Oscilloscope and the Frequency Counter to check the N3 output at A2XA8-1 pin 6. The level should be greater than 0.5V p-p. Frequency should be the same as that in Table 8-35 X 10.	If the frequency and level are as specified, the A8 assembly is defective. Order a new assembly or refer to Service Sheet 12 and repair as required. If the frequency is not as specified, proceed to step 2.
2	Use the plug provided to ground A2TP4. Use Frequency Counter to check the frequency at A2XA8-1 pin 6. The frequency should be the same as Step 1 \pm 250 kHz. Remove the ground plug.	If the frequency is not as specified the A8 assembly is defective. Order a replacement or refer to Service Sheet 12 and repair as required. If the frequency is as specified proceed to Step 3.
3	Use the Oscilloscope and the Frequency Counter to check the 100 kHz input at A2XA10-1 pin 2. The signal should be exactly 100 kHz at about 2.5V p-p.	If the frequency is not as specified check the interconnection to the reference section. If the frequency is as specified the A10 assembly is defective. Order a replacement assembly or refer to Service Sheet 11 and repair as required.

Table 8-39. N2 Loop Troubleshooting (1 of 2)

Reference: Service Sheets 9 and 10.		
Test Equipment Required (from Table 1-2): Oscilloscope (with 10:1 probes) Frequency Counter		
Step	Procedure	Take the following action or proceed to step shown
1	If the frequency was not as specified in Step 2 of Table 8-35 use the plug provided to ground A2TP12 and use the Frequency Counter to check the N2 output at A2XA13-1 pin 4. The frequency should be as specified in the step shown above \pm 250 kHz.	If the frequency is not as specified the A13 assembly is defective. Order a replacement assembly or refer to Service Sheet 10 and repair as required. If the frequency is as specified proceed to Step 2.
2	Use the Oscilloscope and the Frequency Counter to check the frequency and level at A2XA13-1 pin 6. The frequency should be as shown for step 1. The level should be about 0.4V p-p.	If the frequency is not as specified the A13 assembly is defective. Order a replacement assembly or refer to Service Sheet 10 and repair as required. If the frequency is as specified proceed to Step 3.

Table 8-39. N2 Loop Troubleshooting (2 of 2)

Step	Procedure	Take the following action or proceed to step shown
3	Use the Oscilloscope and the Frequency Counter to check the frequency and level at A2XA14-1 pin 2. The frequency should be exactly 100 kHz and the level should be about 2V p-p.	If the frequency is not as specified check the interconnection wiring to the reference section. If the frequency and level are as specified the A14 assembly is defective. Order a new assembly or refer to Service Sheet 9 and repair as required.

Table 8-40. N1 Loop Troubleshooting

Reference: Service Sheets 7 and 8.		
Test Equipment Required (from Table 1-2): Oscilloscope (with 10:1 probes) Frequency Counter		
Step	Procedure	Take the following action or proceed to step shown
1	If the frequency was not as calculated in Step 1 of Table 8-34 use the Frequency Counter to check the output at A2XA17-1 pin 2. Frequency should be as calculated in Step 1 of Table 8-34 \pm 250 kHz.	If the frequency is not as specified the A17 assembly is defective. Order a replacement assembly or refer to Service Sheet 8 and repair as required. If the frequency is correct proceed to Step 2.
2	Use the Frequency Counter to check the frequency at A2XA17-1 pin D. Should be the same as calculated for Step 1.	If frequency is not as specified the A17 assembly is defective. Order a replacement assembly or refer to Service Sheet 8 and repair as required. If the frequency is as specified proceed to Step 3.
3	Use the Oscilloscope and the Frequency Counter to check the input at A2XA16-1 pin 2. The input should be exactly 400 kHz at about 2.5V p-p.	If the frequency is not as specified check the interconnection wiring to the reference section. If the signal is as specified the A16 assembly is defective. Order a replacement assembly or refer to Service Sheet 7 and repair as required.

Table 8-41. Low Frequency Loops Notes (1 of 2)

1.	The output frequency of the SL2 loop may be determined by adding the N2 output frequency to the divider-by-ten output of the N3 loop assembly. EXAMPLE: Programmed frequency is 107.654321 MHz. $24.36 + 0.2079 = 24.5679$. Output frequency is 24.5679 MHz.
2.	If there is no RF output, or if the RF level is low, the trouble is in the circuit board containing the voltage controlled oscillator and output circuits.
3.	The output frequency of the N2 loop is equal to 29.79 MHz less the setting of center frequency digits 5, 4, and 3. EXAMPLE: center frequency set to 107.654321 MHz, $29.79 - 5.43 = 24.36$. Output frequency is 24.36 MHz.

Table 8-41. Low Frequency Loops Notes (2 of 2)

4.	The output frequency of the N3 loop is equal to 2.100 MHz less the setting of center frequency digits 2 and 1. EXAMPLE: center frequency set to 107.654321 MHz (2.100 - .021 = 2.079). Output frequency is 2.079 MHz.
5.	The output frequency of the N1 loop is equal to 29.7 MHz less the setting of center frequency digits 7 and 6. EXAMPLE: center frequency set to 107.654321 MHz, 29.7 - 7.6 = 22.1. Output frequency is 22.1 MHz.
6.	The output frequency of the SL1 loop is equal to 30 MHz less the last seven digits of the programmed frequency. (30.000000 - 7.654321 = 22.345679. Output frequency is 22.345679 MHz.)

Table 8-42. Index to Assembly Illustrations (1 of 2)

Assy No.	Description	SS No.	(Photo) Fig. 8-
A1	Digital Control Unit	18 thru 36	54, 93
A1A1	P/O Switch Control Assy (1 of 2)	19	56
A1A1	P/O Switch Control Assy (2 of 2)	20	58
A1A2	P/O Key Control Assy (1 of 2)	21	62
A1A2	P/O Key Control Assy (2 of 2)	22	64
A1A3	P/O Readout Control Assy (1 of 2)	23	66
A1A3	P/O Readout Control Assy (2 of 2)	24	68
A1A4	P/O ROM Input Assy (1 of 2)	25	70
A1A4	P/O ROM Input Assy (2 of 2)	26	72
A1A5	P/O ROM Output Assy (1 of 2)	27	74
A1A5	P/O ROM Output Assy (2 of 2)	28	76
A1A6	P/O Register Assy (1 of 3)	29	78
A1A6	P/O Register Assy (2 of 3)	30	80
A1A6	P/O Register Assy (3 of 3)	31	82
A1A7	Arithmetic Logic Unit	32	84
A1A8	Sweep Count Assy	33	86
A1A9	A Register Assy	34	88
A1A10	Output Register Assy	35	90
A1A11	DCU Mother Board		129
A1A12	Numeric Readout Assy	36	93
A1A13	Board Assy Annunciator Block	Various	108
A1A14	Switch Assy Sweep	Various	
A1A15	Switch Assy Keyboard	21	60, 61
A1A16	Switch Assy Manual Mode	20	
A1A17	Tuner Assy Manual Mode	20	
A2	Board Assy Interconnection	—	127

Table 8-42. Index to Assembly Illustrations (2 of 2)

Assy No.	Description	SS No.	(Photo) Fig. 8-
A3A1	Front Output Interface Assembly	37, 40	96, 102
A3A2	Rear Input Interface Assembly	38, 39	98, 100
A4	Loop Assembly RF	2, 3, 4, 5, 6	
A4A1	Reference Divider Assembly	2	17
A4A2	Reference Phase Detector	2	16
A4A3	Reference Divide-by-Two	3	20
A4A4	Reference VCO Assembly	3	19
A4A5	VCO and Amplifiers	6	26
A4A6	Pretuning Assembly	4	22
A4A7	Phase Detector Assembly	5	24
A4A8	100 MHz Bandpass Filter	3	
A5	Board Assembly Rectifier	41	105
A6	Fan Assembly, 400 Hz (Opt. 003)	41	107
A6	Fan Assembly, 60 Hz STD	41	107
A6A1	Pre-Regulator Assembly	41	104
A6A3	Fan Relay Assembly	41	107
A7	Power Line Module/Filter	41	107
A8	N3 Oscillator Assembly (except Opt 004)	12	42
A9	Cable Assembly Loop Box		128
A10	N3 Phase Detector	11	40
A11	SL2 Oscillator Assembly	14	46
A12	SL2 Detector	13	44
A13	N2 Oscillator	10	38
A14	N2 Phase Detector	9, 9a	34, 36
A15	SL1 Detector	15	48
A16	N1 Phase Detector	7	30
A17	N1 Oscillator	8	32
A18	SL1 Mixer	16	50
A19	SL1 Oscillator	17	52
A20	Rectifier Assembly	41	106
A21	Crystal Oscillator	2	14
A22	Switch Assembly Reference	2	18
A23	Wiring Harness	Various	107
A25	+30V Regulator	41	

8-87. PRINCIPLES OF OPERATION

8-88. The following discussion illustrates the basic principles of operation of the Model 8660 System. More detailed information about principles of operation for the phase lock loops and the Digital Control Unit appears on Service Sheets 1 and 18 respectively. In addition, detailed information to the circuit level is provided on individual Service Sheets.

8-89. **General.** The Model 8660 was designed to provide precise digitally controlled output frequencies utilizing indirect synthesizer techniques. Unlike conventional signal generators, the output frequency is not \pm some percentage factor; the output frequency of the Model 8660 is exactly that selected (the only factor which must be considered here is the accuracy and stability of the reference source). The output frequency range is determined by the RF Section plug-in being used.

8-90. All of the phase lock loops are phase locked, directly or indirectly, to a very stable temperature controlled internal 10 MHz source or to an external reference source. (The term "indirect synthesis" as used in paragraph 8-89 refers to a synthesizer that derives all frequencies from a single source, as opposed to a "direct synthesizer" which uses different crystal oscillators for each frequency generated.)

8-91. **Reference Section.** A 100 MHz voltage controlled oscillator which is phase locked to an internal reference, or to an external reference source, serves as a master oscillator. The internal reference is a 10 MHz standard temperature controlled crystal oscillator. The external reference source may be 4 or 10 MHz at 0.2 to 2V rms. All of the outputs from the reference section are derived from the 100 MHz master oscillator.

8-92. The reference section provides the following outputs:

- a. 500 MHz to the RF Output Section.
- b. 100 MHz to the RF Output Section. This 100 MHz is coupled out of the RF Section for use in other circuits.
- c. 20 MHz to the Modulator Section. This 20 MHz is coupled out of the Modulator Section for use in the RF Section and the Frequency Extension Module.

d. 10 MHz to the High Frequency Loop phase detector for use as a reference signal.

e. 2 MHz to the Digital Control Unit to be used as a clock.

f. 400 kHz to the N1 loop for a reference signal.

g. Separate 100 kHz signals to the N2 and N3 loops for reference signals.

NOTE

In the following discussion the terms digit 1, digit 2, through digit 10 are used to refer to the 10 digits of frequency selection. Digit 1 refers to the least significant digit (1 Hz increments). Digit numbers progress from right to left until digit 10 refers to the most significant digit (1 GHz increments).

8-93. **High Frequency Loop.** The HF loop contains a voltage controlled oscillator which provides eleven discrete outputs between 350 and 450 MHz in 10 MHz increments when the Model 86601A RF Section is used. When other RF Sections are used the output of the HF loop will still step in 10 MHz increments, but there will be more than, or less than, eleven steps.

8-94. Pretuning tunes the voltage controlled oscillator to a point within the capture range of the phase lock loop and the phase detector then causes the loop to be phase locked to the 10 MHz reference signal at the exact frequency selected.

8-95. When a 0.01 to 110 MHz RF Section such as the HP Model 86601A is used, the output of the HF loop is applied to the RF Section. When a higher frequency RF Section is used, the output of the HF loop is applied to the Frequency Extension Module.

8-96. **N1 Phase Lock Loop.** The N1 loop provides an output to Summing Loop 1 (SL1) that is between 19.8 and 29.7 MHz in 100 kHz steps. The N1 voltage controlled oscillator is roughly pretuned by a digital to analog converter which is controlled by digits 6 and 7.

8-97. The N1 sampling phase detector is driven by pulses derived from the N1 voltage controlled oscillator through a programmable divider and a pulse shaper. The programmable divider is con-

trolled by digits 6 and 7. When the loop is phase locked the 400 kHz reference input is sampled at a 100 kHz rate. The error voltage from the phase detector is summed with the digital to analog converter output to precisely control the voltage controlled oscillator frequency.

NOTE

In Option 004 instruments the N2A programmable divider is used. The N2 loop output is then between 20.01 and 30.00 MHz.

8-98. N2 Phase Lock Loop. The N2 loop provides an output to Summing Loop 2 (SL2) that is between 19.80 and 29.79 MHz in 10 kHz steps. The N2 voltage controlled oscillator is roughly pretuned by a digital to analog converter which is controlled by digits 4 and 5.

8-99. The N2 sampling phase detector is driven by pulses derived from the N2 voltage controlled oscillator through a programmable divider and a pulse shaper. The programmable divider is controlled by digits 3, 4, and 5. When the loop is phase locked the 100 kHz reference signal input is sampled at a 10 kHz rate. The error voltage from the phase detector is summed with the digital to analog converter output to precisely control the voltage controlled oscillator.

8-100. N3 Phase Lock Loop. The N3 loop provides an output to Summing Loop 2 (SL2) that is between 2.001 and 2.100 MHz in 1 kHz steps. The N3 voltage controlled oscillator is roughly pretuned by a digital to analog converter which is controlled by digit 2.

8-101. The N3 sampling phase detector is driven by pulses derived from the N3 voltage controlled oscillator through a programmable divider and a pulse shaper. The programmable divider is controlled by digits 1 and 2. When the loop is phase locked the 100 kHz reference signal is sampled at a 10 kHz rate. The error voltage from the phase detector is summed with the digital to analog converter output to precisely control the voltage controlled oscillator frequency.

NOTE

In Option 004 instruments Summing Loop 2 (SL2) is not used.

8-102. Summing Loop 2. SL2 provides an output to SL1 that is between 20.0001 and 30.0000 MHz

in 100 Hz steps. The SL2 voltage controlled oscillator is roughly pretuned by a digital-to-analog converter which is controlled by digits 3, 4, and 5.

8-103. The output from the SL2 voltage controlled oscillator is also applied to a mixer where it is mixed with the output of the N2 loop. The output of this mixer is applied to one input of a digital phase detector through a pulse shaper. The other input to the digital phase detector is the divided by ten output of the N3 loop assembly in pulse form. When SL2 is phase locked the frequency ratio of the two inputs to the phase detector is always 1:1; the mixer output frequency must exactly match the divided by ten output of the N2 loop assembly (the pulses are received alternately).

NOTE

In Option 004 instruments the Summing Loop 1 output is from 20.0001 to 30 MHz.

8-104. Summing Loop 1. SL1 provides an output to the RF Section that is between 20.000001 and 30 MHz in 1 Hz steps. The SL1 voltage controlled oscillator is roughly pretuned by a digital to analog converter which is controlled by digits 5, 6, and 7.

8-105. The output from the SL1 voltage controlled oscillator is also applied to a mixer where it is mixed with the output of the N1 loop. The output of this mixer is applied to one input of a digital phase detector through a pulse shaper. The other input to the digital phase detector is the divided-by-one hundred output of the SL2 voltage controlled oscillator in pulse form. When SL2 is phase locked the frequency ratio of the two inputs to the phase detector is 1:1; the mixer output frequency must exactly match the divided by one hundred output of the SL2 voltage controlled oscillator (the pulses are received alternately).

8-106. Digital Control Unit (DCU). In the local mode all functions of the Model 8660 are controlled by the DCU. These functions are itemized and described in Section III of this manual.

8-107. Digital Control Unit Troubleshooting

8-108. The Digital Control Unit (DCU) portion of the 8660C must be considered by itself. Understanding and troubleshooting the DCU involves

concepts and techniques which are not used in other parts of the instrument. The best way to troubleshoot is to understand the functional operation of the DCU included here and then use the troubleshooting flow charts in DCU section.

8-109. The DCU can be thought of as having two parts, a controller part and a data handling part. It is necessary to understand both parts and how they interact in order to understand and troubleshoot the DCU. The controller is really the heart of the DCU and will be described first.

8-110. Refer to Figure 8-55, Service Sheet 18, DCU Block Diagram. The controller consists of the A4 and A5 assemblies. This controller uses a form of sequential state logic and is called an Algorithmic State Machine (ASM). The ASM operates by moving through a series of states, where each state has a unique state number and a unique set of output instructions. These output instructions cause actions to take place in the data handling part of the DCU. The series of states which the ASM assumes is determined by qualifier signals. Qualifiers are signals from the data handling part of the DCU to the controller. They define the state of some process or condition. When the ASM is in a particular state, it can go to one of two possible next states. For every state a particular qualifier is examined and the state of this qualifier and the current state number determine the next state.

8-111. Figure 8-7 is a block diagram of the ASM. The output of the state flip-flops is a 7 bit binary number representing the present state of the ASM. For convenience this binary number can be decoded as two decimal numbers by grouping together the right 4 bits and left 3 bits (101 1011 would be 5/11). Assume the present state is 0/0 which is the condition at power turn-on. The output of the state flip-flops would be 0/0 and this number is input to the decoder block. If there are any instructions required to be active during this state, the decoder would make these active. The ROM has 8 address bits and 7 of these are the outputs of the state flip-flops. The state flip-flops also address the multiplexer. For every state number the multiplexer selects one of the 34 qualifiers to appear at its output. The output of the multiplexer supplies one address bit to the ROM. Thus the output of the ROM is determined by the present state (7 bits) and a qualifier (1 bit). There are 12 output bits from the ROM, 5 are output instructions and 7 are the next state that the ASM will assume. The state flip-flops are clocked at a 1 MHz rate, and when they are clocked, the next state inputs be-

come the present state. Thus part of the ROM outputs are latched into the state flip-flops and become the new ROM inputs.

8-112. The operation of the ASM can best be described by the use of a flow chart. An example is shown in Figure 8-8. Each state is represented by a rectangular box. The state number is on the upper left hand corner of the box. The mnemonics of instructions which are active during that state are listed inside the box. All mnemonics in the DCU end in -H or -L which signifies whether the active state of the signal is high or low. In Figure 8-8 during state 0/4 the instruction MNE1-H is active which for this signal is high. All other signals are inactive. The diamond shaped symbol is a decision block and the mnemonic inside is a qualifier. The state of the qualifier determines which branch from the decision block will be taken. If the qualifier is high, state 1/6 is the next state but if the qualifier is low, state 4/4 is the next state. In state 4/4 there are two instructions which are active, one signal is high when active and the other is low. In state 1/6 there are no active instructions.

8-113. It should be possible now to see the relationship between the flow chart and block diagram. In state 0/4 the state flip-flops are outputting this code. When the multiplexer receives the 0/4 state number, qualifier QUAL which is one of the 34 inputs is switched to the output of the multiplexer and goes to one address input of the ROM. When QUAL is low, this bit combined with the 7 bits of the present state code form a unique address to the ROM. With this address the next state outputs of the ROM are 4/4 which go to the input of the state flip-flops. The output of the flip-flops will not change until the next clock signal. MNE1-H is the only signal active during state 4/4. This signal will be generated by the ROM or decoder circuitry. If QUAL had been high, the ROM address would be different by one bit and the next state outputs would be 1/6. In state 4/4 there are two instructions which are active. In state 1/6 no instructions are active.

8-114. Refer again to the block diagram, Figure 8-55, Service Sheet 18. All keyboard entries are detected on the A2 assembly. The keyboard itself has no switch contacts. Pushing a key lowers a metal disk over a transformer made of printed circuit board traces. The metal disk increases the coupling between the primary and secondary of the transformer. Figure 8-9 shows the concept used in the keyboard. There are 10 pairs of keys like those shown in the figure. All the primaries are

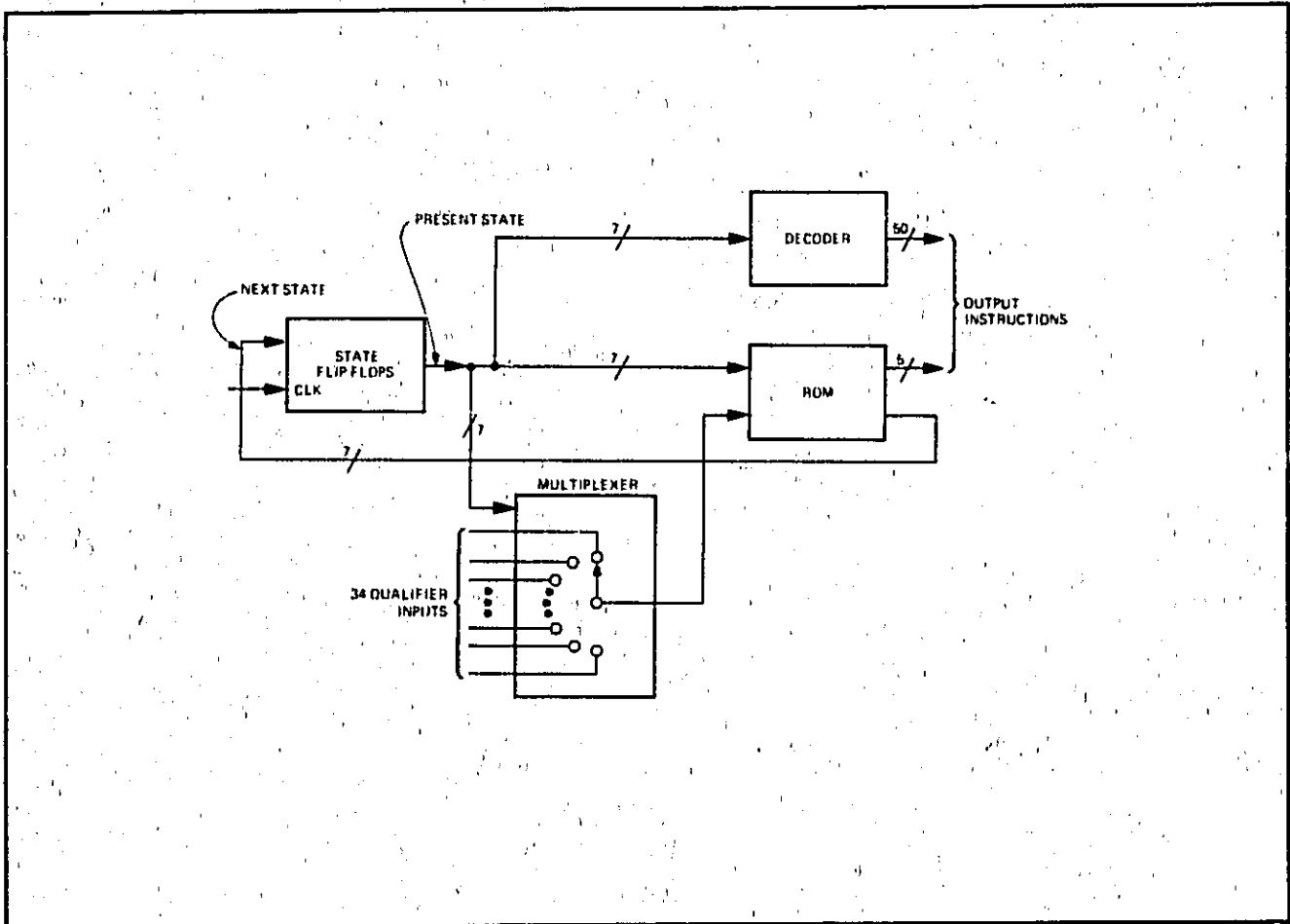


Figure 8-7. ASM Block Diagram

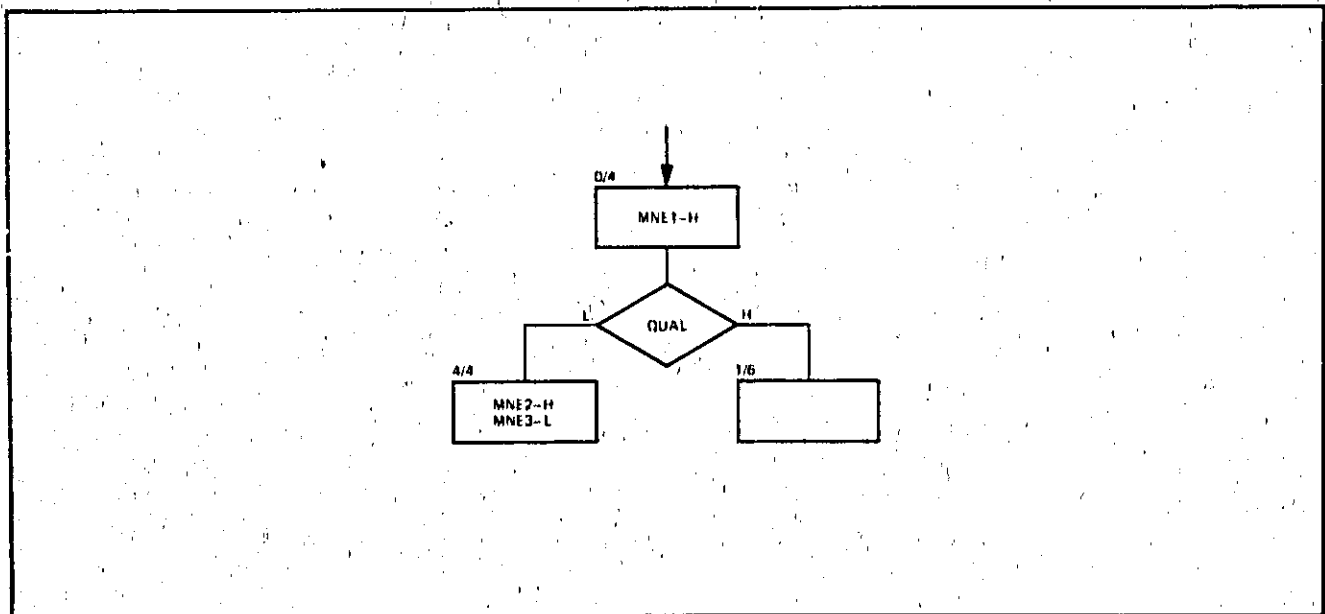


Figure 8-8. Sample Flow Chart

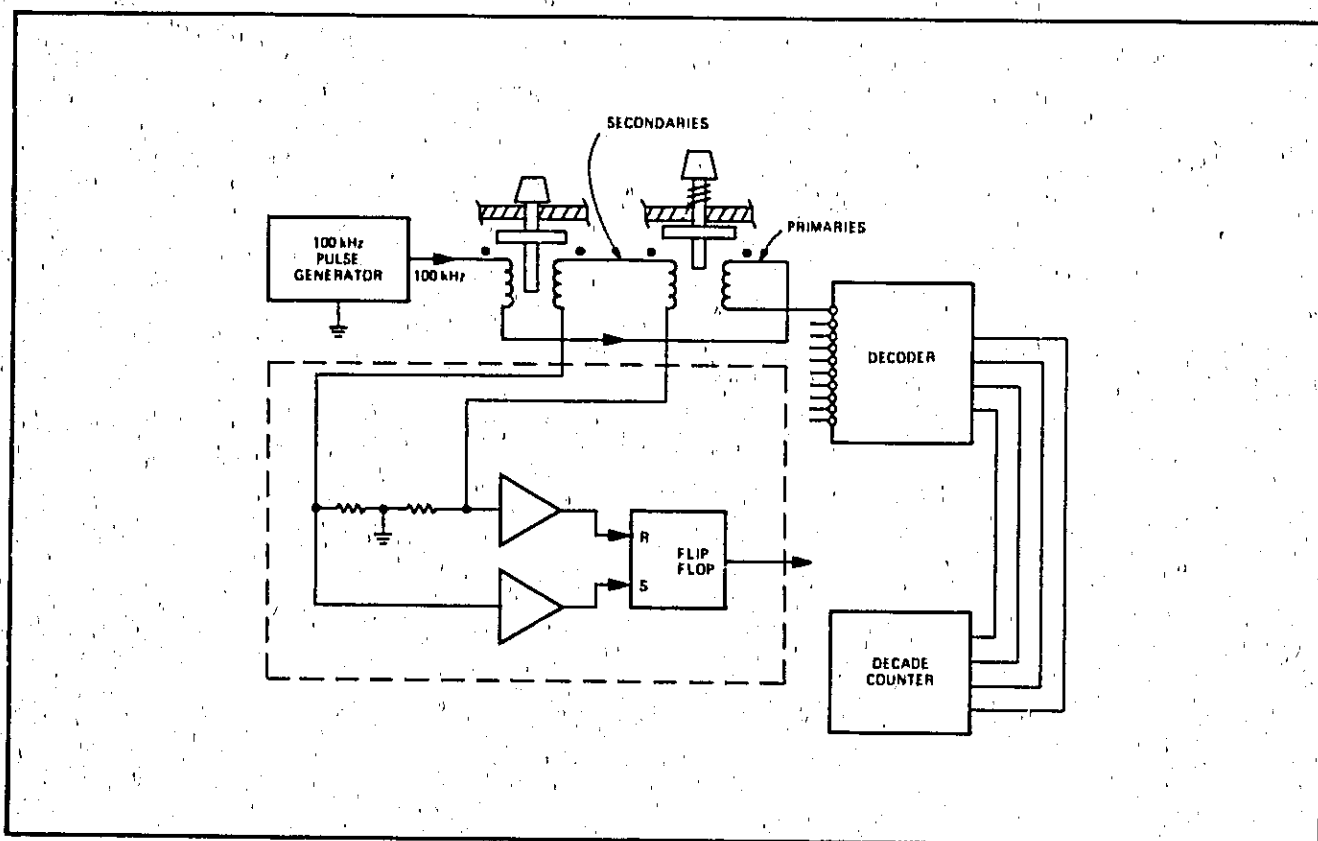


Figure 8-9. 8660C Keyboard Simplified Diagram

driven by 100 kHz pulses; however, a ground return is provided for only one pair of the primaries at a time so current flows in only one pair at a time. A decade counter drives a decoder which provides the ground return. A signal is coupled to the secondary only when a key is pressed. One of the keys in the pair produces a positive signal and the other key a negative signal. Comparators detect when a key is pressed and which key of the pair was pressed. The count in the decade counter when the key which is pressed is detected, is the BCD code for the key. One key in each pair is a numeric key and the other key is a units key or entry key. When a numeric key is pressed, it is detected on the A2 board and latched into the K0 register (see Figure 8-55). It is then shifted into the Keyboard Shift Register (KSR). This register is clocked 10 times which shifts the digit from the K0 register to the right end of the KSR. Any data which was already in the KSR is shifted out the end and back into the input through MPX1 and K0. The result is that any digits already in the shift register are moved one place to the left. This is done so the last digit entered is always in the right end of the KSR.

8-115. If a units key is pressed, the key is decoded on A2 but the information then is latched on the A3 board. If an entry key is pressed, the key is

decoded on A2 and this information goes to the A4 board where it becomes an ASM qualifier. The Readout control pushbuttons, the manual tune control and range select, and the sweep select and range switches are all input to the A1 board. These switch settings are decoded on A1 and qualifier signals are generated which go to A4. A1 also contains circuitry which divides the 2 MHz clock signal down for use at various places in the DCU.

8-116. The A6 board contains registers in which center frequency (CF), step and sweep width data is stored. The M Register on A6 is used to store frequency data for checking limits. Data is shifted in and out of these registers one digit at a time. As an example consider moving data from the KSR on A2 to the CF Register on A6. The signal KTT-H is made active which places the digit at the output of the KSR at the input to the CF Register. The KBR and CF Registers are both clocked which shifts the first digit into the CF Register and shifts the KSR right one digit. The digits shifted out of the KSR are shifted back into the input of the KSR through MPX III and MPX II. After 10 clock pulses the 10 digits from the KSR are now in the CF Register and the KSR has the same data it started with. The inputs to all the registers on A6, A Register on A9, and Readout Register on A3 are connected together.

This common connection to the register inputs is called the T Bus.

8-117. The A7 assembly contains the Arithmetic Logic Unit (ALU). This assembly can perform the following functions:

1. Pass data without changing it.
2. Add or subtract data from two of the registers.
3. Add or subtract data from ROM #4 and one of the registers.

8-118. The output of the ALU goes to the T Bus and can be shifted into any of the registers driven by this bus.

8-119. The A Register on the A9 Assembly is used to hold data before being shifted into the A10 Output Register. The A Register is really in three sections. The registers called A2 and A3 on the diagram are used during sweep mode. The A10 Output Register drives the Phase Lock Loops. Thus the contents of A10 determine the RF output frequency of the 8660. Data can be changed around in all the other registers in the DCU, but the RF output frequency will not change until the data in A10 changes.

8-120. The A8 Sweep Count Assembly keeps track of where the output RF frequency is when in sweep mode. It does this by counting the number of steps up and down that the output frequency has moved. It generates two qualifiers to tell the ASM when the maximum count is reached (QCTM) and when the minimum count is reached (QCTZ). There is a D/A converter which provides an output voltage proportional to where the output RF frequency is within the sweep range.

8-121. The front panel display (A12) is driven by the Readout Register on A3. The display is multiplexed by shifting the data around the Readout Shift Register. The BCD data from the Readout Register drives two ROM's on A12. The ROM's output the actual dot pattern to the LED displays. A half digit at a time in each of the two display sections is activated. The display is scanned at a 10 kHz rate so the readout appears continuous.

8-122. All the shifting around of data happens because instructions from the controller are issued to enable certain registers and shift data. Now that the controller and data handling parts of the instrument have been discussed separately we can look at how they interact. The best way to do this

is to look at the flow chart for one operation that the DCU performs. Figure 8-10 is the ASM flow chart for the operation of pressing a numeric key. This flow chart is annotated to provide a narrative description of the instructions and qualifiers. The ASM is always in state 0/0 when it is not performing some function. State 0/0 is in the upper left hand corner of the flow chart. The qualifier which determines what the next state will be is F10-H, which is the output of a flip-flop on the A1 board. Notice that when F10-H is low (inactive), the next state is 0/0. Thus the ASM stays in state 0/0. This is often called a "wait loop" since the ASM is "waiting" until F10-H becomes high before it leaves state 0/0. When one of the keys on the keyboard is pressed, the BCD code for the key is generated on A2 and the A1 F10 flip-flop is set which makes F10-H active. With F10-H high the ASM moves to state 4/0 when the next clock pulse occurs. In state 4/0 there are no instructions active and F7-H is the qualifier which determines what the next state will be. This flow chart is drawn showing only one exit from most of the qualifier symbols. This is because for the operation the chart is describing these qualifiers must be in the state shown on the chart. In state 4/0 the F7-H signal must be low unless the instrument is in sweep mode or remote mode, neither of which is the operation the chart is describing. The ASM thus moves from state 4/0 to 5/0 and because the decimal point key is not pressed it moves to state 6/0. The qualifier examined in state 6/0 is NUM-H which is active when one of the numeric keys on the keyboard is pressed. Since this is the condition the flow chart is describing, NUM-H must be active and the ASM moves to state 6/1. F2-L is active and the ASM reaches state 1/5 where several instructions which initialize certain parts of the DCU become active. Qualifier NUM-H is examined again and the ASM moves to state 0/2 where the first instruction which moves data is issued. Instruction ETKO latches the data from the keyboard into the K0 register which is shown on the block diagram in A2. There is no qualifier which determines what the next state is after 0/2. State 0/3 always follows 0/2. During state 0/3 the digit in the K0 register is shifted 10 places to the right to the end of the KSR. It takes 10 clock pulses to shift the data so the ASM must stay in state 0/3 for 10 clock pulses. Qualifier CKB-H stays low until 10 clock pulses have occurred which keeps the ASM in state 0/3. When CKB-H goes high, the ASM will move to state 6/14. Once the ASM leaves state 0/3 the data movement is complete. All the remaining states that the ASM passes through are just to get back to state 0/0. State 4/10 prevents the ASM from re-

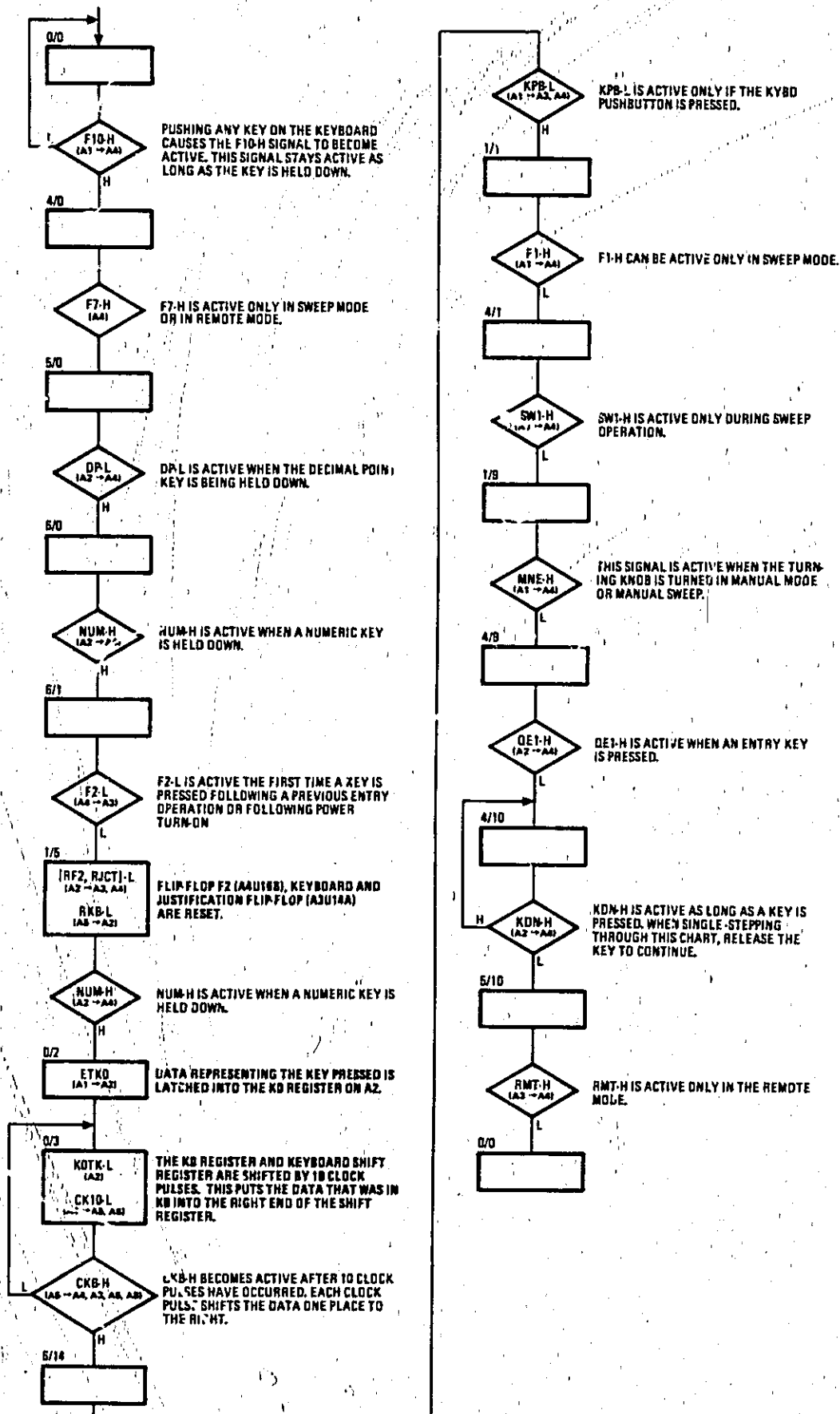


Figure 8-10. ASM Troubleshooting Flow Chart for Numeric Key Pressed

turning to state 0/0 until the key is released. In state 4/10 the qualifier KDN-H is active (high) as long as the key is depressed. This keeps the ASM in state 4/10. When the key is released, KDN-H goes low which causes the ASM to go to state 5/10. The ASM is driven by a 1 MHz clock so in about 20 microseconds the ASM will go from state 0/0 to state 4/10. A person pressing a key could hold it down for several seconds. If the ASM returned to state 0/0 and found the key pressed, it wouldn't know if the key was pressed for a new entry or hadn't been released from the previous entry. Thus the ASM is allowed to return to state 0/0 only after the key is released.

8-123. From the preceding description some actions take place independently of the ASM such as the keyboard generating the BCD code to identify which key is pressed. The action of moving data into the KO register and into the KSR happens under control of the ASM. Throughout the DCU there are things happening independently of the ASM and other things which are completely under ASM control. There are no hard and fast rules to determine which is which. All processes must be examined to determine how much control the ASM has on the process.

8-124. DCU Repair

8-125. The most important thing in troubleshooting the DCU is to isolate the problem to a small area. To do this you have to understand the DCU block diagram and use the trouble symptoms to narrow down where the problem could be. One of the best ways to do this is to use the troubleshooting flow charts which appear in this section immediately following SERVICE SHEET 42. These charts provide a lot of details about the movement of data between registers and the specific ASM sequence to perform DCU functions. This manual also contains information about how to use the flow charts for troubleshooting

8-126. Interface Circuits. The interface circuits provide the capability of operating the Model 8660 with the front panel controls (local mode), or by a remote programming device via a rear panel connector (remote mode).

8-127. RF Section. An RF Section plug-in is required to produce a useable rf output. Figure 8-13 shows a block diagram of the Model 8660. All plug-in sections are covered by separate manuals.

8-128. Modulation Section. If a modulation section is not available, it will be necessary to have an auxiliary section in the modulator compartment to complete necessary connections.

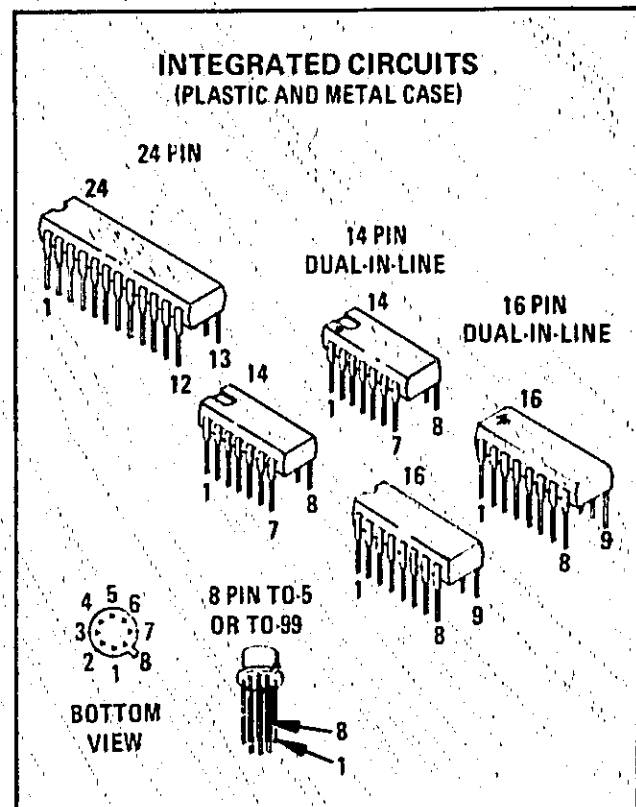


Figure 8-11. Integrated Circuit Packaging

Table 8-43. 8660 System

Mainframes	
8660A	Thumbwheel Frequency Control — Fully Programmable
8660B/C	Keyboard Frequency Control — Fully Programmable
Modulation Sections	
86631	External AM and Pulse
86532	AM/FM — Fully Programmable
86633	AM/FM (Phase-Locked FM Carrier) — Fully Programmable
86634	Phase Modulation — High Rates to 10 MHz
86635	Phase Modulation/FM — Fully Programmable
RF Sections	
86601	10 kHz to 110 MHz +13 dBm
86602	1 MHz to 1300 MHz +10 dBm
86603	1 MHz to 2600 MHz +7 dBm
Frequency Extension Module	
11661	Required for operation of the 86602 and 86603 RF Sections. Is installed internally in the mainframe. (Mainframe Option 100)
NOTE	
This table and Figure 8-12 do not cover the entire 8660 system. The intent is to cover only the general capabilities of the system	

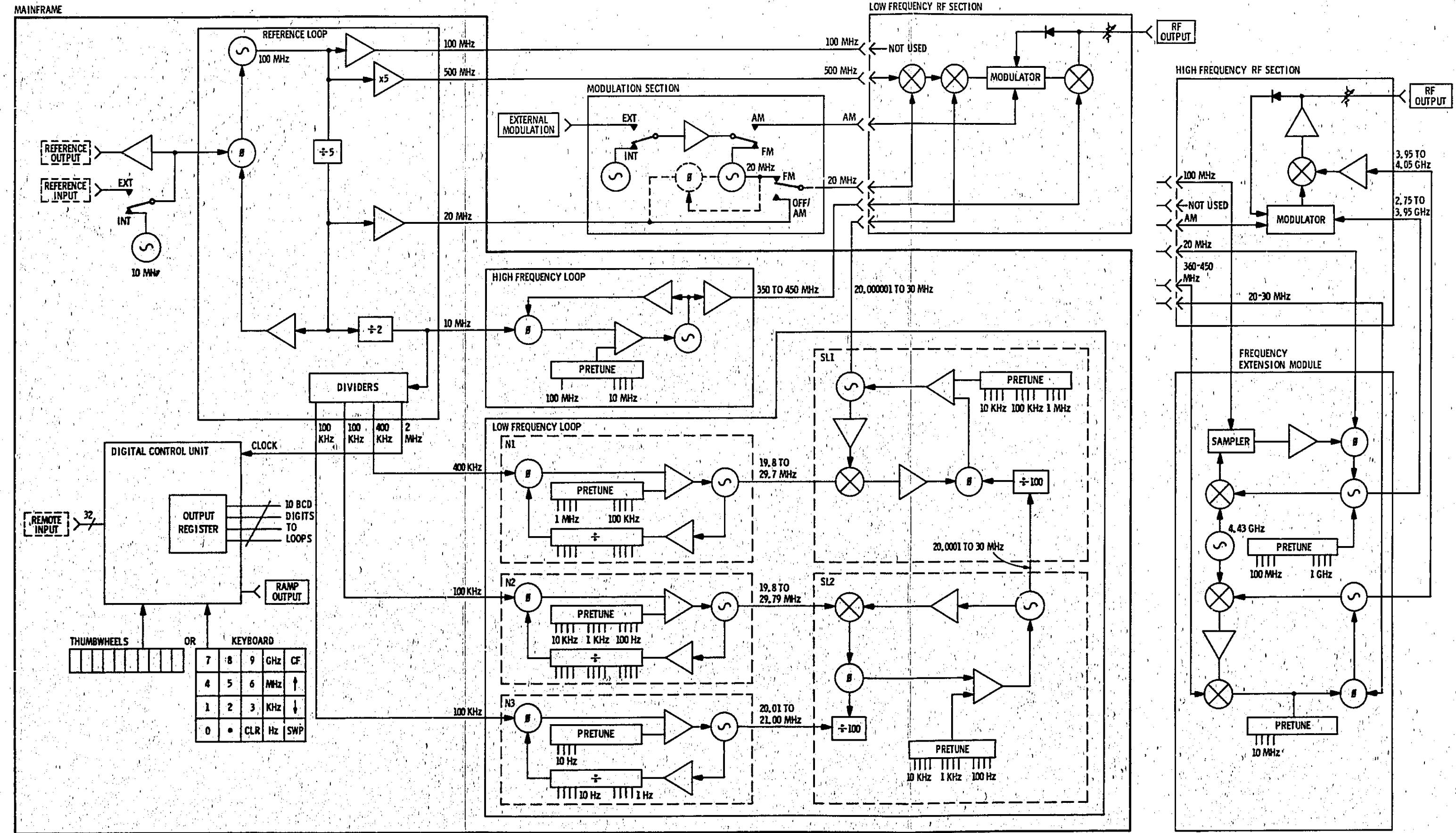


Figure 8-12. Model 8660C System Block Diagram.

SERVICE SHEET 1

BLOCK DIAGRAM

General

The Hewlett-Packard Model 8660C is a signal generator which utilizes synthesizer techniques to produce precise RF output signals. These signals may be selected in increments as small as one Hz.

Each step in the generation of the output frequency is controlled by phase lock loops. This ensures that the output frequency is exactly that selected by front panel (or remote) controls.

All of the seven phase lock loops (five loops in option 004) are referenced to a single source. This source may be the internal temperature controlled crystal oscillator or an external frequency standard of 5 or 10 MHz.

The Model 8660C mainframe does not provide a direct RF output, except for the reference signal which may be used as a time base for external equipment. The signals generated within the mainframe are used in plug-in modules which utilize mixing techniques to provide the selected output RF signals.

Reference Loop

The reference loop consists of four circuit boards mounted in the A4 assembly. Schematics, a more comprehensive circuit analysis, and troubleshooting information are provided by Service Sheets 2 and 3.

All of the signals generated within the Model 8660C mainframe are derived from the 100 MHz master oscillator in the reference loop. The master oscillator is a voltage controlled oscillator which is phase locked to a stable reference (the 10 MHz INT or an EXT standard). The 100 MHz oscillator is located in the A4A4 assembly.

Also included in the A4A4 assembly are divide-by-five and multiply-by-five circuits. The outputs from the A4A4 assembly are 500 MHz, 100 MHz, and 20 MHz. The 20 MHz output from the A4A4 assembly is sampled in the reference loop phase detector to provide a phase correction signal to the master oscillator. The 20 MHz signal is also applied to the A4A3 assembly where it is divided by two to provide a 10 MHz signal for use in the A4A1 reference dividers and in the high frequency phase lock loop.

The reference loop input circuit (A4A2) converts the signal from the reference oscillator into sharp short-duration pulses to open a sampler gate which samples the 20 MHz signal from the A4A4 assembly. The sampled signal is used to generate an error signal which biases the varactor in the 100 MHz voltage controlled oscillator in the A4A4 assembly to maintain the phase locked condition.

SERVICE SHEET 1(Cont'd)

The A4A1 assembly divides the 10 MHz input from the A4A3 assembly by five to provide a 2 MHz clock for the digital control unit. The 2 MHz signal is divided by five to provide a 400 kHz signal to the phase detector in the N1 loop. The 400 kHz is twice divided by two to provide 100 kHz signals to the phase detectors in the N2 and N3 loops.

High Frequency Loop

The HF loop consists of three circuit boards mounted in the A4 assembly. Schematics, a more comprehensive circuit analysis, and troubleshooting information are provided by Service Sheets 4, 5 and 6.

The HF loop provides digitally controlled RF signals between 350 and 450 MHz in precisely selected 10 MHz increments.

The sampling phase detector (A4A7) compares the voltage controlled oscillator (A4A5) output to a 10 MHz signal from the reference loop and provides an output to phase lock the voltage controlled oscillator to the reference signal. The phase detector assembly contains a pulse generator, a sampler and a signal processing circuit.

The frequency of the voltage controlled oscillator (A4A5) is roughly pretuned by a digital to analog converter located in the A4A6 assembly. The error signal from the A4A7 assembly is summed with the output of the digital to analog converter to maintain the phase locked condition. The A4A5 assembly also contains two identical three-stage amplifiers. These amplifiers serve as buffers to isolate any extraneous signals at their outputs from the oscillator. One of the amplifiers provides an output to the RF plug-in; the other output goes to the HF loop sampling phase detector.

The A4A6 pretuning circuit consists of a digital to analog converter which roughly pretunes the voltage controlled oscillator to the 10 MHz increment between 350 and 450 MHz selected by CF digits 8 and 9 of the front panel (or remote) controls. The pretuning cannot, by itself, set the voltage controlled oscillator frequency accurately; it does set the frequency within the capture range of the loop.

The A4A6 assembly also contains a summing circuit which sums the negative dc level from the digital to analog converter with the current from a +20 volt source and the output of the phase detector. The output from the summing circuit precisely controls the frequency of the voltage controlled oscillator.

Divide By N Loop N1

The purpose of the N1 loop is to generate digitally controlled RF signals in the range of 19.8 to 29.7 MHz in selectable 100 kHz increments. The voltage controlled oscillator is phase locked to a 400

SERVICE SHEET 1 (Cont'd)

kHz reference signal which is derived from the master oscillator in the reference loop. The output of the N1 loop is applied to summing loop 1.

The N1 loop circuits are mounted on two circuit boards, A16 and A17. Schematics, a more comprehensive circuit analysis, and troubleshooting information are provided by Service Sheets 7 and 8.

The A16 phase detector assembly contains a programmable divider, a sampling phase detector and a signal processing circuit.

The programmable divider divides by a number determined by CF digits 6 and 7 of the front panel (or remote) controls. The terminal count of the programmable divider is always 297. The actual number of cycles counted is determined by the count programmed into the divider prior to the start of each count cycle. The output of the programmable divider is always 100 kHz when the loop is locked.

The output frequency of the N1 loop may be determined by subtracting the CF digits 7 and 6 information from 29.7 MHz. As an example, if CF digits 7 and 6 are set for 3.4 MHz, the N1 output frequency will be 26.3 MHz (29.7 - 3.4).

The sampling phase detector uses the 100 kHz pulses from the programmable divider to sample the 400 kHz reference signal and provides an error output to the summing circuit in the A17 assembly.

The signal processing circuit consists of an operational amplifier with lead and lag compensation.

The A17 assembly contains a digital to analog converter, a voltage controlled oscillator and a summing circuit.

The digital to analog converter converts the digital inputs from CF digits 6 and 7 to a dc level which roughly pretunes the voltage controlled oscillator to a frequency within the capture range of the loop.

The summing circuit sums the current from the negative digital to analog converter source with current from a +20 volt source and the error signal from the phase detector to precisely control the voltage controlled oscillator frequency.

Divide By N Loop N2

The purpose of the N2 loop is to generate digitally controlled RF signals in the range of 19.80 to 29.79 MHz in selected 10 kHz increments.

NOTE

In option 004 instruments the N2 loop output is from 20.01 to 30.00 MHz in 10 kHz increments.

The voltage controlled oscillator is phase locked to a 100 kHz reference which is derived from the master oscillator in the reference section. The output of the N2 loop is applied to summing loop 2 (summing loop 1 in option 004 instrument).

SERVICE SHEET 1 (Cont'd)

The N2 loop circuits are mounted on two circuit boards, A13 and A14. Schematics, a more comprehensive circuit analysis, and troubleshooting information are provided by Service Sheets 9 (A for option 004 instruments) and 10.

Operation of the N2 loop is virtually the same as operation of the N1 loop. The reference input is 100 kHz and the output of the programmable divider is always 10 kHz when the loop is locked. The digital inputs are from CF digits 3, 4 and 5 (or remote controls) and range from 000 to 999.

The programmable divider count always terminates in a count of 2979 (3000 in option 004 instruments). The output frequency in MHz of the oscillator may be calculated by subtracting the programmed digital input from CF digits 5, 4 and 3 from 2979 (3000 for option 004 instruments) and dividing the results by 100. Example: with CF digits 5, 4 and 3 set to 222 the output frequency will be 27.57 MHz ($\frac{2979-222}{100}$). (Option 004 $\frac{3000-222}{100} = 27.78$ MHz.)

Divide By N Loop N3

NOTE

The N3 loop is not included in option 004 instruments.

The purpose of the N3 loop is to generate digitally controlled RF signals in the range of 20.01 to 21.00 MHz in selectable 10 kHz increments. The voltage controlled oscillator is phase locked to a 100 kHz reference which is derived from the master oscillator in the reference section. The output from the N3 phase lock loop is divided by ten and the resulting 2.001 to 2.100 MHz (1 kHz steps) signal is applied to summing loop 2.

The N3 loop circuit is mounted on 2 circuit boards, A8 and A10. Schematics, a more comprehensive circuit analysis, and troubleshooting information are provided by Service Sheets 11 and 12.

Operation of the N3 loop is virtually identical to operation of the N1 and N2 loops. The reference signal is 100 kHz and the output of the programmable divider is always 10 kHz when the loop is phase locked. The digital inputs are from CF digits 1 and 2, and range from 00 to 99.

The programmable divider count always terminates in a count of 2100. The output frequency in MHz of the voltage controlled oscillator may be calculated by subtracting the programmed digital input from CF digits 2 and 1 from 2100 and dividing the result by 100. Example: with CF digits 2 and 1 set to 34, the output frequency of the voltage controlled oscillator will be 20.66 MHz ($\frac{2100-34}{100}$). Since the voltage controlled oscillator output is divided by 10, the output to summing loop 2 will be 2.066 MHz.

SERVICE SHEET 1 (Cont'd)

Summing Loop 2

NOTE

Summing Loop 2 is not included in option 004 instruments.

The purpose of SL2 is to generate digitally controlled RF signals in the range of 20.0001 to 30.0000 MHz in selectable 100 Hz increments. The output frequency of the SL2 voltage controlled oscillator is equal to the sum of the N2 output and the divided-by-ten output of the N3 assembly. The inputs to the digital phase detector are the divided-by-ten output of the N3 assembly and the output from a mixer which detects the difference frequency of the N2 output and the SL2 voltage controlled oscillator. The output of SL2 is applied to SL1.

The SL2 circuits are mounted on two circuit boards, A11 and A12. Schematics, a more comprehensive circuit analysis, and troubleshooting information are provided by Service Sheets 13 and 14.

The SL2 phase detector A12 is completely digital; it compares the relative positions (in time) of two sets of pulses and provides an error signal to correct phase errors or a dc level to correct frequency errors. One of the inputs to the phase detector is the divided by ten output of the N3 A8 assembly. The other input to the phase detector is the difference frequency between the N2 loop output and the SL2 voltage controlled oscillator output. When the loop is locked, both phase detector input signals are at the same frequency (1:1 ratio). When the ratio between the two signals is not 1:1 the difference is detected by a sense circuit which disables the phase detector. The phase detector output goes low if the SL2 voltage controlled oscillator frequency is low; the output goes high if the SL2 voltage controlled oscillator frequency is high. The pretuning circuit and the voltage controlled oscillator are contained in the A11 assembly.

The pretuning circuit is a digital to analog converter controlled by CF digits 3, 4 and 5. The digital to analog converter for the CF digit three is physically located on the A12 assembly. The pretuning circuit roughly presets the voltage controlled oscillator to a frequency within the capture range of the loop. A summing circuit sums the negative current from the digital to analog converter circuit with a current from a +20 volt source and the output of the SL2 digital phase detector to precisely set the output frequency of the voltage controlled oscillator. The output from the voltage controlled oscillator is applied to SL1 and to a mixer in the A12 assembly.

The output frequency of SL2 is equal to the N2 frequency plus the divided by ten input from the N3 circuit.

Summing Loop 1

The purpose of SL1 is to generate digitally controlled RF signals in the range of 20.000001 to 30.0 MHz in selectable increments as small as

SERVICE SHEET 1 (Cont'd)

1 Hz. The output frequency of the SL1 voltage controlled oscillator is equal to the sum of the N1 output and the divided-by-one hundred output of SL2. The inputs to the digital phase detector are the divided-by-one hundred output of the SL2 assembly and the output from a mixer which detects the difference frequency of the N1 output and the SL1 voltage controlled oscillator. The output of SL1 is applied to the RF Section plug-in.

NOTE

In option 004 instruments the output is from 20.0001 to 30.0 MHz in selectable increments as low as 100 Hz. The voltage controlled oscillator is phase locked to the divided by one hundred output of the N2 loop.

The SL1 circuits are mounted on three circuit boards, A15, A18 and A19. Schematics, a more comprehensive circuit analysis, and troubleshooting information are provided on Service Sheets 15, 16 and 17.

Operation of SL1 is the same as operation of SL2 except that the phase detector inputs are the divided by one hundred output of SL2 and the difference frequency between the output of N1 and the SL1 oscillator. The output frequency is equal to $N1 + \frac{SL2}{100}$ or $N1 + \frac{N2}{100} + \frac{N3}{1000}$.

NOTE

In option 004 instruments the phase detector inputs are the divided by one hundred output of N2 and the difference frequency between the N1 output and the frequency of the SL1 voltage controlled oscillator output. The output frequency is equal to $N1 + \frac{N2}{100}$.

RF Section

The RF Section plug-in processes the outputs from the mainframe to provide the desired output frequency.

Information relative to operation and service of the RF Section is provided in a separate manual.

Digital Control Unit

Service Sheet 18 provides a logic diagram of the digital control unit.

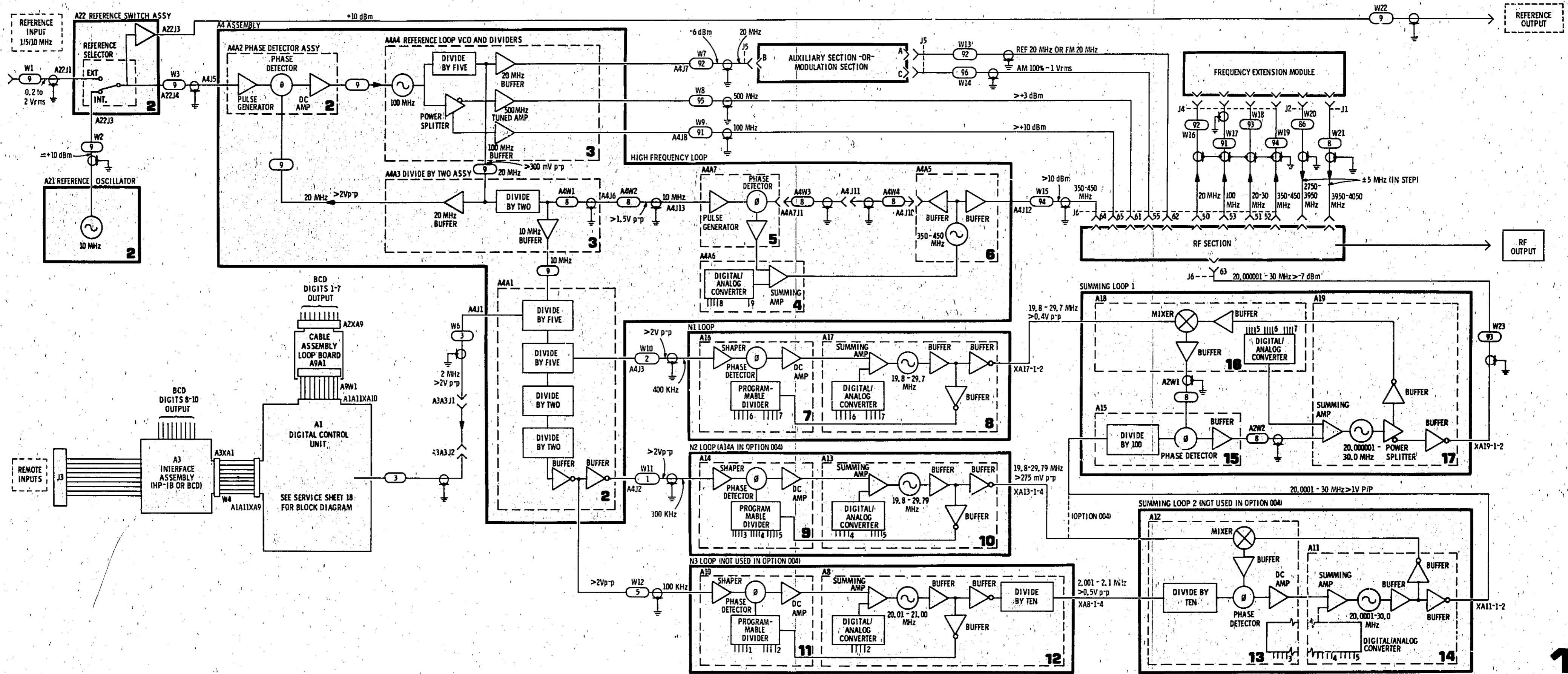


Figure 8-13. Model 8660C Block Diagram

SERVICE SHEET 2

PART OF REFERENCE LOOP CIRCUITS

Normally, causes of malfunctions in the Model 8660C will be isolated to a circuit board or assembly as a result of performing the tests specified in the troubleshooting trees.

When repairing the reference loop only one of the four covers should be removed at any given time. Operating the instrument with the voltage controlled oscillator cover removed may cause faulty or erratic performance after required repairs have been completed.

NOTE

After making repairs in any part of the reference loop circuits the adjustment procedures specified in Section V paragraph 5-27 should be performed to ensure proper operation of the instrument.

TEST EQUIPMENT REQUIRED (See Table 1-2)

Digital Voltmeter
Test Oscillator
10:1 Oscilloscope probes (2)
Oscilloscope
Frequency Counter

REFERENCE LOOP GENERAL

The reference loop consists of four circuit boards located in the A4 assembly. This service sheet provides information about circuit operation and test procedures for the reference oscillator, reference amplifier and relays, the phase detector and the divide-by-five and divide-by-two circuits. Schematic diagrams, text and troubleshooting information for the voltage controlled oscillator and divide-by-two circuits appear on Service Sheet 3.

The accuracy and stability of all the signals generated in the Model 8660C mainframe are traceable to the reference loop outputs.

The reference loop provides output frequencies of 500 MHz, 100 MHz, 20 MHz, 10 MHz, 2 MHz, 400 kHz, and 100 kHz. These signals are used in other circuits in the mainframe and in the plug-in sections. All of the reference section outputs are derived from a 100 MHz master oscillator which is phase locked to a stable reference source. The reference signal may be supplied by the internal reference oscillator or by an external reference standard. The reference signal may be 5 or 10 MHz at a level of 0.2 to 2 volts rms.

REFERENCE OSCILLATOR, AMPLIFIER AND RELAYS

The Model 8660C (except for option 002 instruments) contains a 10 MHz temperature controlled crystal oscillator which is used as a

SERVICE SHEET 2 (Cont'd)

reference source. Also included are switching relays and a buffer amplifier. The buffer amplifier serves to isolate the reference oscillator when its output is used as a reference source for external equipment.

TEST PROCEDURE

Test 1-a. Connect the oscilloscope to the Model 8660C rear panel REFERENCE OUTPUT connector. If the internal reference is being used the oscilloscope should display a 10 MHz signal at about 4 volts peak to peak. If an external reference is used the oscilloscope should display the reference frequency at about the same level as the reference signal input.

If the signal is present proceed to test 1-b. If the signal is not present proceed to test 1-c.

Test 1-b. Disconnect the coaxial cable from A4J5 (REF INPUT) and connect the oscilloscope to the end of the cable. If the internal reference is being used the oscilloscope should display a 10 MHz signal at about 5 volts peak to peak. If an external reference is used the oscilloscope should display the input reference signal.

If the signal appeared in test 1-a, but does not appear in test 1-b, the cable between the A4A2 assembly and the reference relay/amplifier is probably defective.

If the correct signal is observed in test 1-b, proceed to TEST PROCEDURE.

Test 1-c. If the signal was not present in test 1-a, tilt the A4 assembly out of the frame, disconnect the coaxial cable from the reference oscillator assembly and connect the reference oscillator output to the oscilloscope. The oscilloscope should display a 10 MHz signal at about 7 volts peak to peak.

If the signal is not present, check for dc levels as follows: terminal 1, +20 volts, terminal 2, +35 volts (oven voltage) and terminal 6, +5.2 volts (when present indicates thermostat is open, temperature stabilized). If the voltages are correct the reference oscillator assembly (A21) is defective.

NOTE

The reference oscillator assembly is not considered a field repairable unit. Replacement is recommended.

If the signal is present at the reference oscillator output check the SELECTOR switch, the relay assembly (A22A1) and the reference amplifier (A22A2).

SERVICE SHEET 2 (Cont'd)

PHASE DETECTOR ASSEMBLY (A4A2) GENERAL:

The phase detector consists of three basic circuits; a pulse generator, a sampler and a circuit to process the error signal.

The pulse generator converts the reference signal to very sharp, short duration pulses. These pulses are used to forward bias the sampler gate diodes.

The sampler gate provides a means of comparing the pulses generated from the reference signal to the 20 MHz signal from the A4A3 assembly. An error signal is developed to control the voltage controlled oscillator in the A4A4 assembly when a phase error exists.

PULSE GENERATOR

The pulse generator consists of Q1 through Q5, U1, T1 and associated components.

The reference input to Q1 may be 5 or 10 MHz. Q1 and Q2 act as an amplifier for low level signals and as a limiter for high level signals. Q3 acts as a limiter to ensure that the input to NAND gate U1A is always the same when the input reference signal is 0.2 to 2 volts rms. The output from Q3 is essentially a square wave with a slow rise time and a fast fall time; it is clipped, top and bottom, and it is approximately 5 volts peak to peak.

U1, C11 and R20 are used as a pulse shaper. The output of U1A is differentiated by C11 and R20 and inverted by U1B. The sharp pulses (20 to 25 nanoseconds) are inverted by U1D to provide positive-going pulses to drive Q4/Q5.

Q4/Q5 comprise a complementary emitter-follower pair; its purpose is to provide a low impedance drive to T1.

TEST PROCEDURE

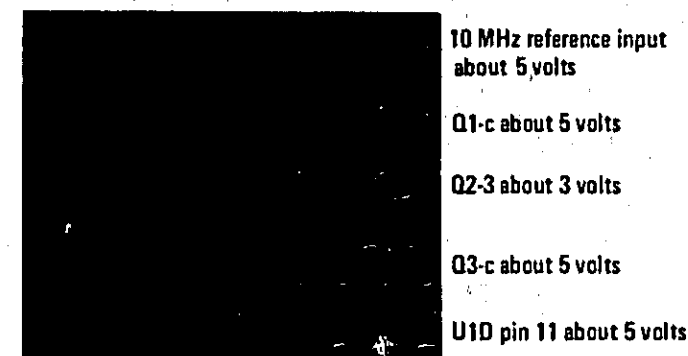
Test 2-a. Composite waveform SS2-1 and trace 2 of composite waveform SS2-2 illustrate the development of the 10 MHz pulses derived from the internal reference signal. These pulses are used to drive the sampling phase detector diode gates. Observing the individual waveforms on an oscilloscope should enable the technician to quickly isolate a malfunction in the circuit to an individual stage or to the reference oscillator/switching circuits.

There are no loops or feedback circuits in the pulse generator circuit. It is safe to assume when a correct waveform is observed that all preceding portions of the circuit are operating properly.

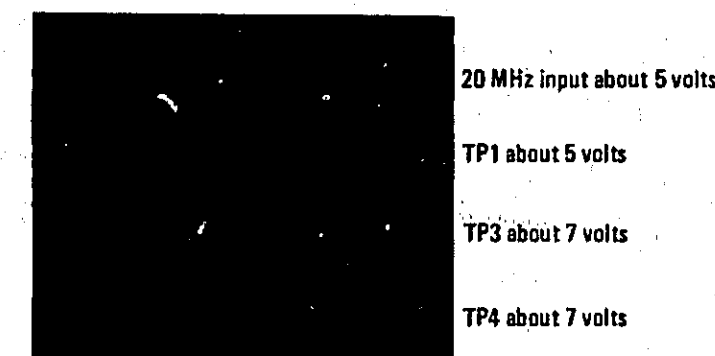
SERVICE SHEET 2 (Cont'd)

SAMPLER

Sampler diodes CR4 and CR5 are normally reverse biased. When the sampling pulse appears across the secondary of T1 it is coupled through C18 and C19 to forward bias CR4 and CR5. Since the gate pulses are equal in amplitude but opposite in polarity, they will cancel at the junction of R32, R33, R34, and C20.



Composite Waveform SS2-1



Composite Waveform SS2-2

While CR4 and CR5 are forward biased the sampling gate is open and the 20 MHz signal from the A4A3 assembly is sampled. If the 20 MHz input from the A4A3 assembly is not phase locked to the pulses derived from the reference signal an ac signal will appear on the base of Q7. The polarity of the signal at any given time depends on the polarity of the 20 MHz signal from the A4A3 assembly when the last sample was taken. The amplitude of the ac signal at any given time depends on what portion of the 20 MHz sine wave the last sample was taken from.

Each time CR4 and CR5 are forward biased the charge on C20 will change unless the phase relationship is the same as it was in the previous sample. The time constant of C20 and R34 is long and since the time between samples is never more than one microsecond, C20 cannot discharge appreciably between sampling pulses.

The reverse bias levels for CR4 and CR5 are maintained at the same levels (opposite polarities) by voltage divider networks.

SERVICE SHEET 2 (Cont'd)

TEST PROCEDURE

Test 3-a. An oscilloscope loads the sampling circuit at TP3 and TP4 to a point where accurate analysis of the signal is not possible. However, observing the waveforms and comparing them to the typical waveforms shown in composite waveform SS2-2 will provide an adequate indication that the circuit is, or is not, functioning properly. The important points to observe are the two-to-one frequency ratio between the 20 MHz signal and the pulses, and the time coincidence of the positive-going and negative-going pulses at TP3 and TP4 with the pulses at TP1.

ERROR SIGNAL AMPLIFIER

When a phase difference between the reference signal and the 20 MHz input exists, a signal appears on C20. This signal is amplified and used to correct the frequency of the voltage controlled oscillator in the A4A4 assembly.

Q7 and Q9 provide a high impedance input for the sampler output. Q8 and Q10 comprise a differential amplifier. Emitter-follower Q11 provides the output to the A4A4 assembly.

TEST PROCEDURE

Test 4-a. Connect an oscilloscope to the A4A2 output labeled VCO. With the input 10 MHz reference disconnected from A4J5, (REF INPUT) connect a test oscillator (output 0 dBm, 3 kHz) to A4A2TP2. (The exact frequency is unimportant - 3 kHz was chosen arbitrarily.)

Vary the output level of the test oscillator and note that the A4A2 output level displayed on the oscilloscope varies.

NOTE

If the A4A2 output does not vary when the test oscillator output is varied, use the oscilloscope to check back through the stages for a point in the circuit where the level does change with a change in the output level of the test oscillator. The following stage is probably defective.

REFERENCE DIVIDE-BY-FIVE AND DIVIDE-BY-TWO ASSEMBLY A4A1

The A4A1 assembly divides the 10 MHz input from the A4A3 assembly four times; two times by five and two times by two. The assembly provides a 2 MHz clock signal to the digital control unit, 100 kHz signals to the N2 and N3 loops and 400 kHz to the N1 loop.

SERVICE SHEET 2 (Cont'd)

Q3 and CR1 reduce the +20 volt input to +5 volts for operation of all circuits in the assembly. This method of providing power is used to minimize the effect of ac ripple on the power supply.

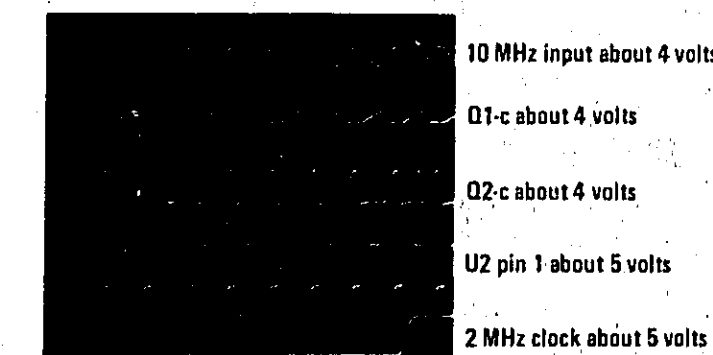
Q1 isolates the circuit from the 10 MHz source. Q2 amplifies the 10 MHz input and NAND gate U1A shapes it into pulses to drive U2. U2 provides a divided-by-five 2 MHz output at pin 8 which is used as a clock signal in the digital control unit. The 2 MHz output is also available at pin 11 of U2 and is used to drive U3.

U3 divides the 2 MHz input from pin 11 of U2 by five and provides outputs of 400 kHz at pins 8 and 11. The 400 kHz output at U3 pin 8 is used as the phase detector reference in the N1 loop. The 400 kHz at pin 11 of U3 is coupled to U3 pin 14 and divided by two. The 200 kHz output of U3 at pin 12 is coupled back to U2 pin 14 through NAND gate U1C and again divided by two. The 100 kHz output from U2 pin 12 is coupled through NAND gate U1B to the phase detector in the N3 loop. The 100 kHz signal is also coupled through NAND gate U1D to the phase detector in the N2 loop.

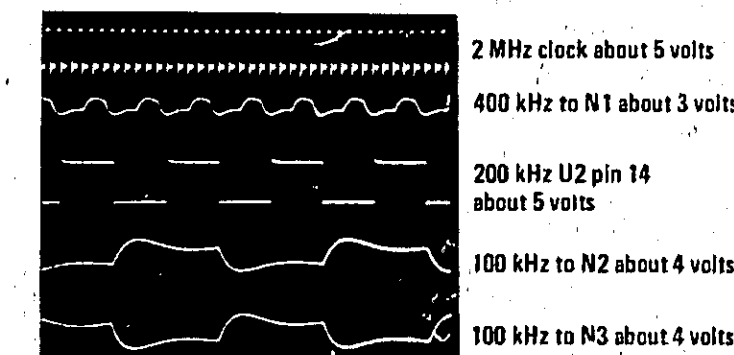
TEST PROCEDURE

Composite waveform SS2-3 illustrates the development of pulses from the 10 MHz reference input and the 2 MHz clock output to the digital control unit.

Composite waveform SS2-4 illustrates the development of the 400 kHz and 100 kHz N loop reference signals from the 2 MHz clock signals.



Composite Waveform SS2-3



Composite Waveform SS2-4

There are no loops or feedback paths in the circuit. It is safe to assume that when the proper waveform is observed at any point that preceding stages are functioning properly.

Observing the waveforms at the test points specified should enable the technician to quickly isolate the cause of a malfunction to a specific stage or component.

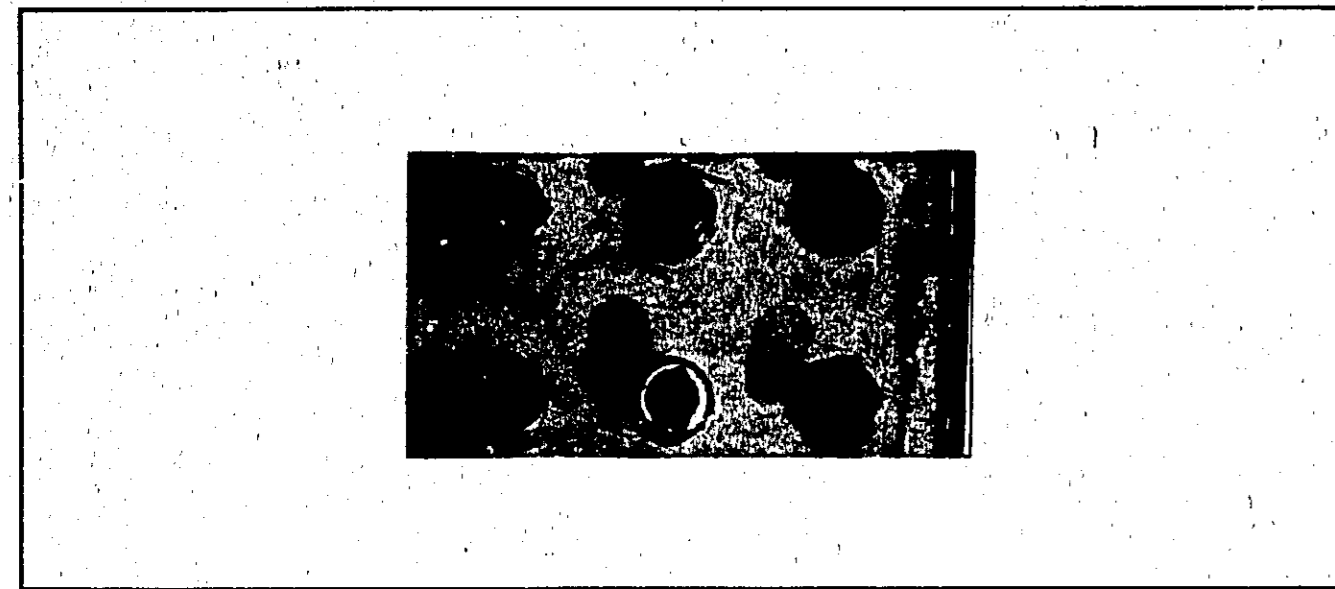


Figure 8-14. A21 Reference Oscillator Assembly

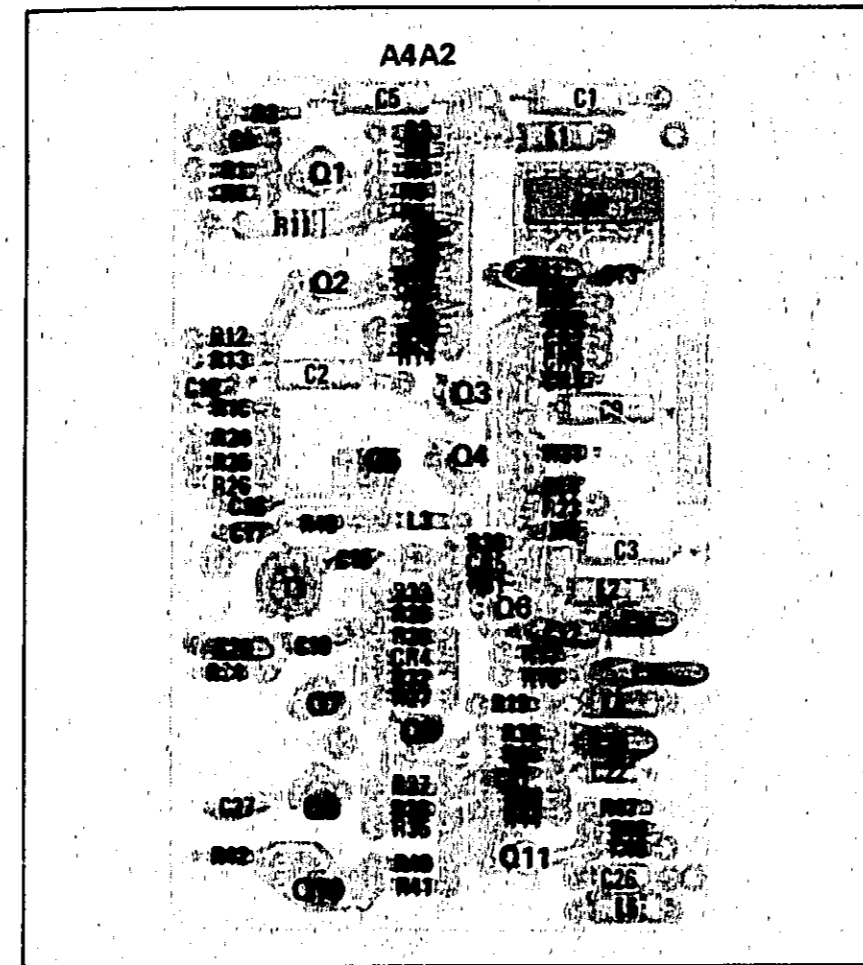


Figure 8-16. A4A2 Reference Phase Detector Component Locations

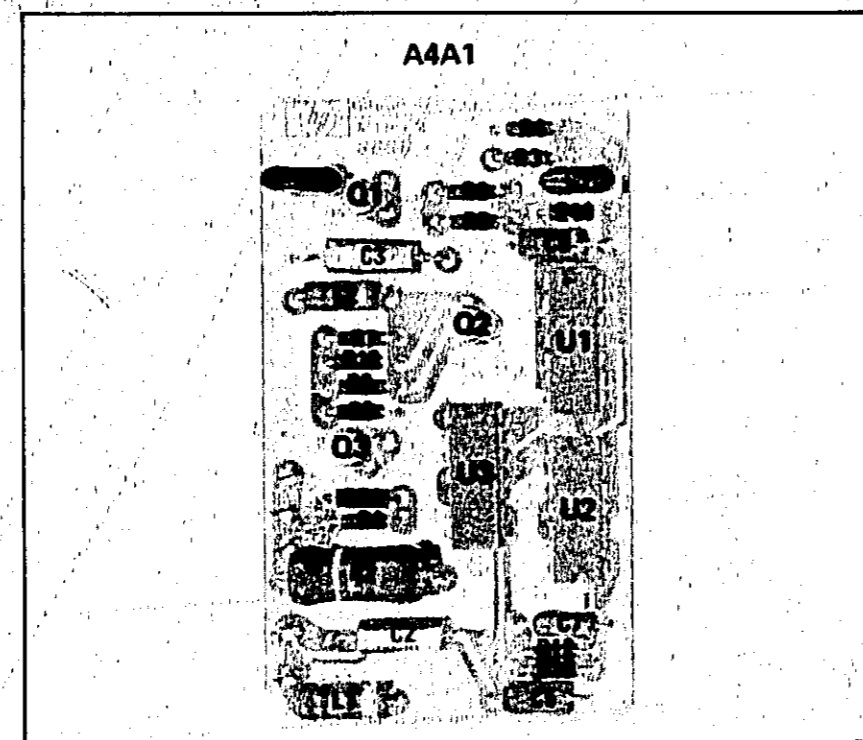


Figure 8-17. A4A1 Reference Divider Component Locations

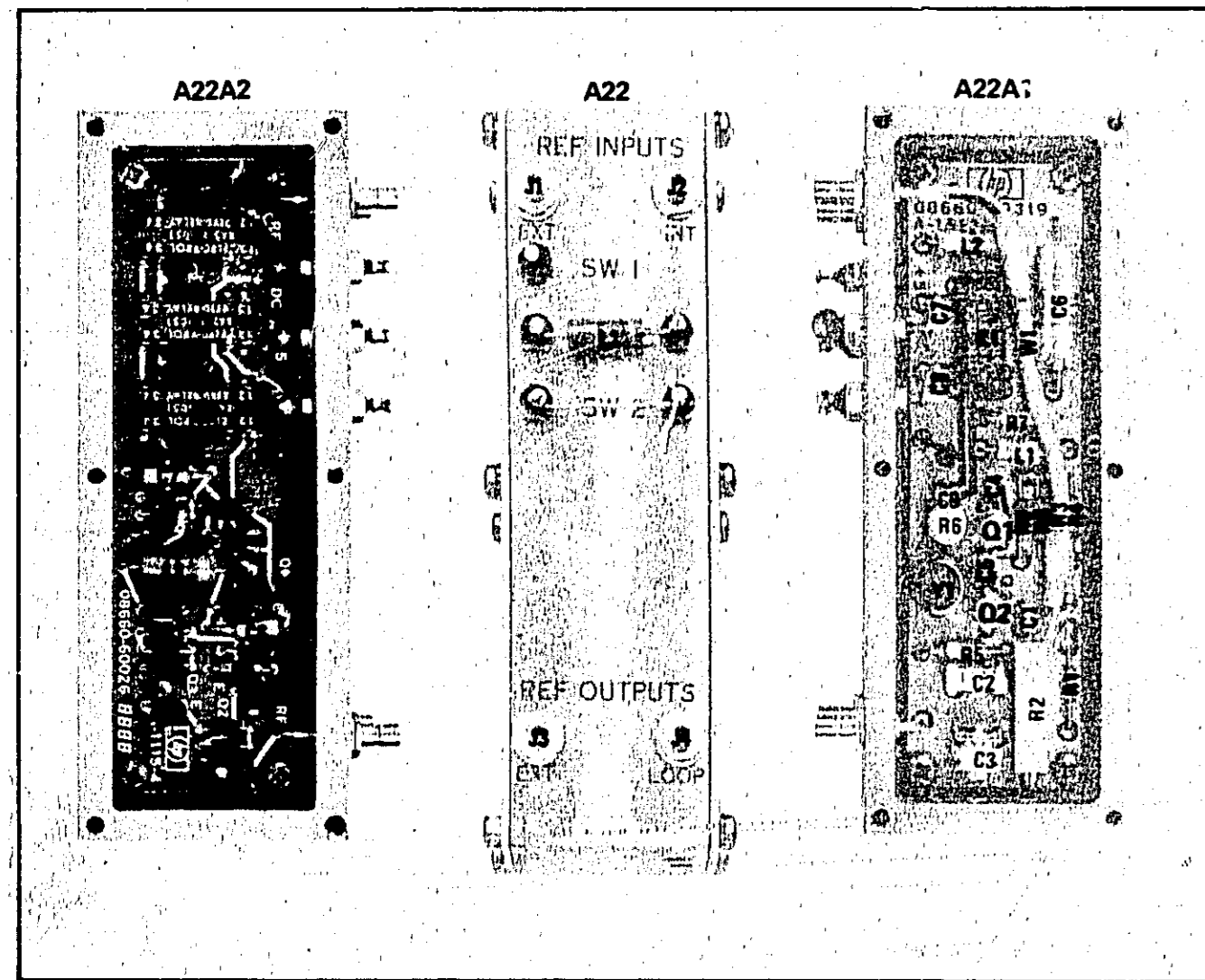


Figure 8-15. A22 Assembly Component Locations

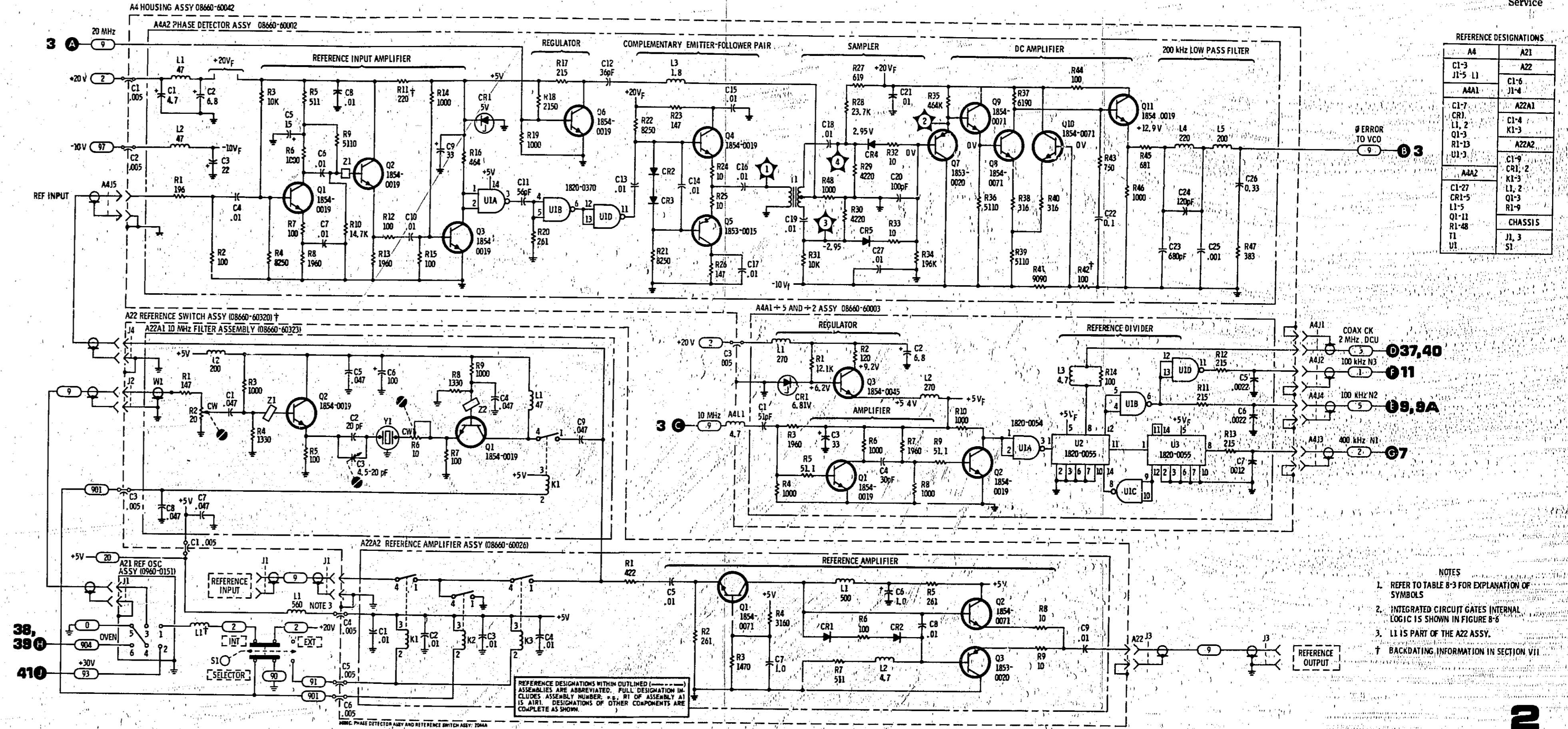


Figure 8-18. Reference Circuit Schematics

SERVICE SHEET 3

PART OF REFERENCE LOOP CIRCUITS

Normally, causes of malfunctions in the Model 8660C will be isolated to a circuit board or assembly as a result of performing the tests specified in the troubleshooting trees.

When repairing the reference loop only one of the four covers should be removed at any given time. Operation of the instrument with the voltage controlled oscillator cover removed may cause faulty or erratic performance after required repairs have been completed.

NOTE

After making repairs in any part of the reference loop circuits the adjustment procedures specified in Section V paragraph 5-27 should be performed to ensure proper operation of the instrument.

TEST EQUIPMENT REQUIRED (See Table 1-2)

- Digital Voltmeter
- Oscilloscope
- Frequency Counter
- 10:1 Oscilloscope probes (2)

REFERENCE LOOP GENERAL

The reference loop consists of four circuit boards located in the A4 assembly. Service Sheet 2 provides information about circuit operation and test procedures for the reference oscillator, reference amplifier and relays, the phase detector and the divide-by-five and divide-by-two circuits. Schematic diagrams, text and troubleshooting information for the voltage controlled oscillator and divide-by-two circuits appear on this service sheet.

The accuracy and stability of all the signals generated in the Model 8660C mainframe are traceable to the reference loop circuits.

The reference loop provides output frequencies of 500 MHz, 100 MHz, 20 MHz, 10 MHz, 2 MHz, 400 kHz, and 100 kHz. These signals are used in other circuits in the mainframe and in the plug-in sections. All of the reference section outputs are derived from a 100 MHz master oscillator which is phase locked to a stable reference source. The reference signal may be supplied by the internal reference oscillator or by an external reference standard. The reference signal may be 5 or 10 MHz at a level of 0.2 to 2 volts rms.

OSCILLATOR, POWER SPLITTER, 500 MHz AMP and 100 MHz AMP

Q3 and associated components comprise a 100 MHz voltage controlled oscillator. Varactor CR1 is biased by the output of the

SERVICE SHEET 3 (Cont'd)

A4A2 phase detector to assure that the oscillator is phase locked to the reference signal at 100 MHz.

The oscillator output is capacitively coupled to the base of Q4 which functions as a power splitter.

Q9 and associated components provide isolation from the +20 volt power supply for the oscillator and power splitter to minimize effects of ac power supply ripple or line variations.

The collector output of Q4 is capacitively coupled to A8, a 100 MHz tuned amplifier which functions as a buffer stage. The times five function is accomplished by Q7 which is tuned to 500 MHz. The 500 MHz output from the Q7 tank circuit is capacitively coupled to Q6, another 500 MHz tuned amplifier which also provides isolation.

The emitter output of Q4 is capacitively coupled to the base of Q5 which functions as a 100 MHz tuned amplifier buffer stage. This output is used in the Frequency Extension Module (accessory number 11661A).

TEST PROCEDURE

NOTE

If the signal frequency is close to that specified in the following tests but is erratic, or not exact, the trouble is probably in the Phase Detector circuit. Refer to Service Sheet 2.

Test 1-a. With the A4A4 assembly cover removed use the counter and spectrum analyzer (separately) to check the 500 MHz output. The counter should indicate exactly 500 MHz and the oscilloscope should display a sine wave at about +3 dBm.

If the signal is present proceed to test 1-d. If the signal is not present proceed to test 1-b.

Test 1-b. Connect the oscilloscope and the counter (separately) to Q4-c. The counter should indicate exactly 100 MHz and the oscilloscope should display a sine wave at about 2.5V p-p.

If the signal is present, but was not present in test 1-a, check Q6, Q7, Q8 and associated components. If the signal is not present, proceed to test 1-c.

Test 1-c. Connect the oscilloscope and the counter (separately) to Q4-b. The counter should indicate exactly 100 MHz and the scope should display a sine wave at about 0.4 volts.

SERVICE SHEET 3 (Cont'd)

If the signal is present, but was not present in previous tests, Q4 is probably defective. If the signal is not present check Q3, Q9 and associated components.

Test 1-d. Use the oscilloscope and the counter (separately) to check the 100 MHz output. The counter should indicate exactly 100 MHz and the oscilloscope should display a sine wave at about 0.5 volts.

If the signal is not present, but was present in test 1-a, check Q5 and associated components. If the signal is present, proceed to Test Procedure

20 MHz OUTPUTS

A third 100 MHz signal is capacitively coupled from the oscillator tank circuit to the base of 100 MHz tuned amplifier Q2. The output of Q2 is used to drive a divide-by-five circuit (U1) which provides the 20 MHz output. The 20 MHz output is used to drive the divide-by-two circuit in the A4A3 assembly. The 20 MHz signal is also coupled to 20 MHz tuned amplifier Q1 for use in circuits external to the reference loop.

TEST PROCEDURE

Test 2-a. Connect the oscilloscope to the 20 MHz output from Q1. The display should be similar to that shown in the center trace of composite waveform SS3-1. Proceed to test 2-b.

Test 2-b. Connect the oscilloscope to the 20 MHz output which goes to the A4A3 assembly. The display should be similar to that shown in the lower trace of composite waveform SS3-1.

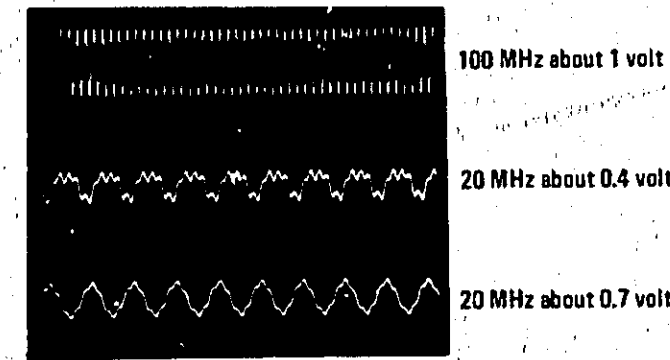
If the correct signal is present, but was not present in test 2-a, check Q1 and associated components.

If the signal is not present proceed to test 2-c.

Test 2-c. Connect the oscilloscope to Q2-c. The oscilloscope display should be similar to the top trace in composite waveform SS3-1. If the signal is present, but was not present in test 2-b, U1 is probably defective.

If the signal is not present at Q2-c, Q2 is probably defective.

SERVICE SHEET 3 (cont'd)



Composite Waveform SS3-1

DIVIDE-BY-TWO CIRCUIT A4A3

The A4A3 assembly provides 10 MHz outputs to the HF Loop (A4A7) phase detector, and to the divide-by-five and divide-by-two circuits (A4A1). It also provides a 20 MHz output for use in the reference loop phase detector A4A2.

Q1 and Q2 amplify the 20 MHz signal from the A4A4 assembly and applies it to U1 which divides by two. The +5 volts required for operation of U1 is derived from the +20 volt supply by R4 and CR1 to minimize effects of power supply ac ripple and line variations.

The output from U1 is capacitively coupled out to the HF loop as a reference signal. It is also coupled through Q3 to 10 MHz tuned amplifier Q5. The 10 MHz output from the Q5 is used in the divide-by-five and divide-by-two circuits (A4A1).

The 20 MHz output of Q2 is also coupled through tuned amplifier Q4 to the A4A2 phase detector assembly.

TEST PROCEDURE

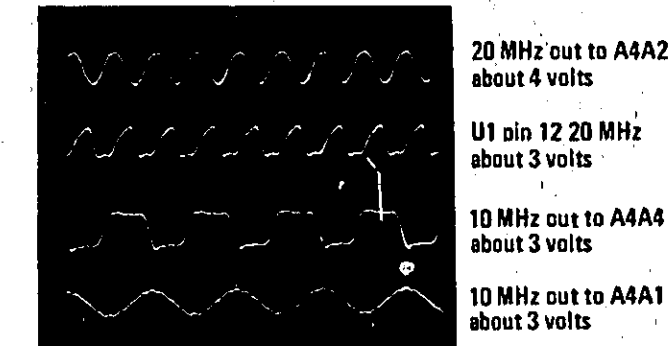
Test 3-a. Connect the oscilloscope to the 10 MHz output to the A4A1 assembly. The oscilloscope display should be about as shown in the bottom trace of composite waveform SS3-2. Verify that the frequency is exactly 10 MHz with the counter.

If the signal is not present proceed to test 3-b. If the signal is present, proceed to test 3-d.

Test 3-b. Connect the oscilloscope to the 10 MHz output which goes to the A4A4 assembly. The oscilloscope display should be about as shown in the next-to-the-bottom trace of composite waveform SS3-2. Verify that the frequency is exactly 10 MHz with the counter.

If the signal is present, but was not present in test 3-a, check Q3, Q5 and associated components. If the signal is not present proceed to test 3-c.

SERVICE SHEET 3 (Cont'd)



Composite Waveform SS3-2

Test 3-c. Connect the oscilloscope to U1 pin 12. The oscilloscope display should be similar to the second from the top trace in composite waveform SS3-2.

NOTE

The counter may be used to verify that the frequency is approximately 20 MHz. However, this point in the circuit is critical; the additional load on the circuit will probably disturb the phase lock loop balance.

If the display is correct, but was not correct in previous tests, U1 is probably defective. If the display is not correct, check Q1, Q2 and associated components.

Test 3-d. Connect the oscilloscope and the counter (separately) to the 20 MHz output to the A4A2 assembly. The oscilloscope display should be similar to that shown in the top trace of composite waveform SS3-2. The counter readout should be exactly 20 MHz.

If the correct signal is not present check Q4 and associated components.

**SERVICE
INFORMATION**

CON'T

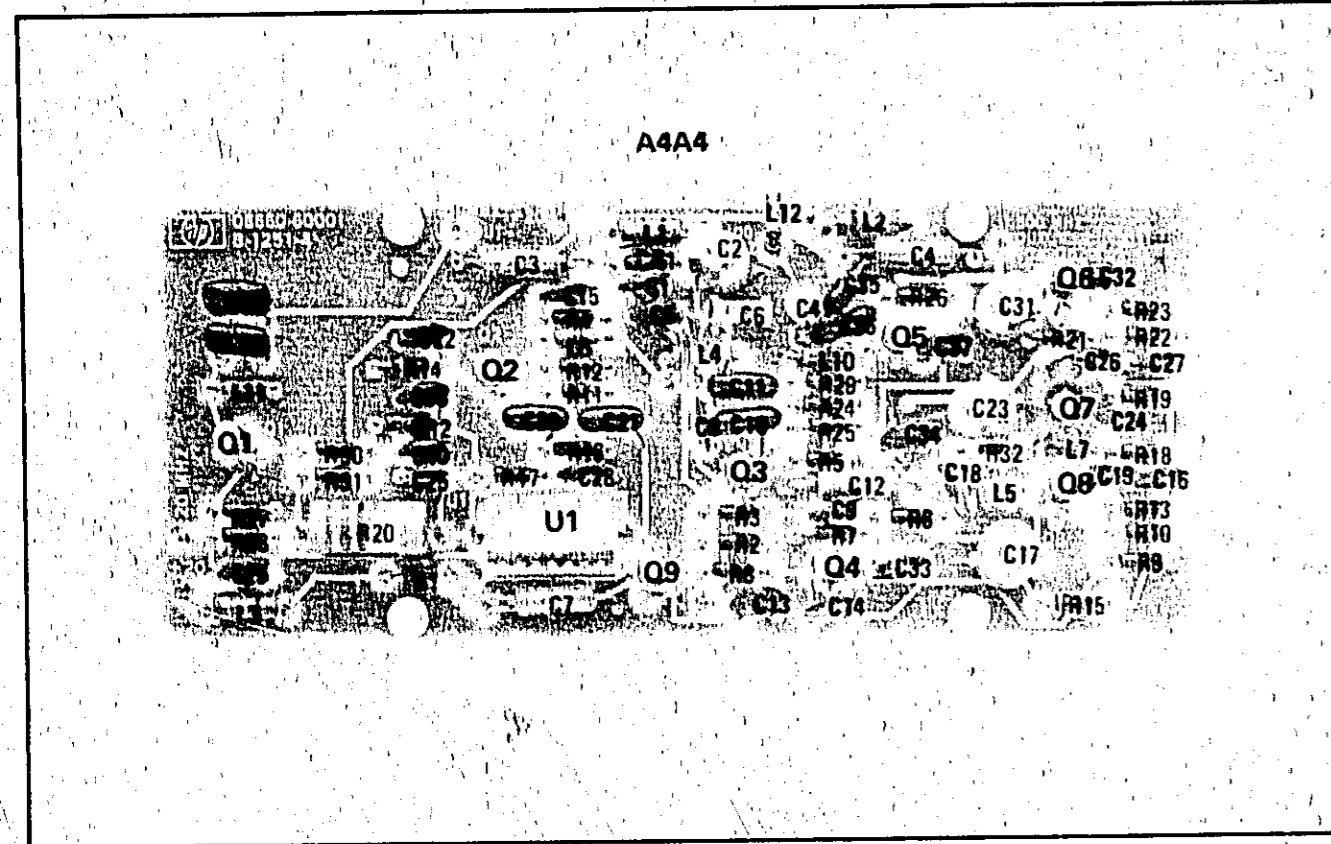


Figure 8-19. A4A4 Reference VCO Component Locations

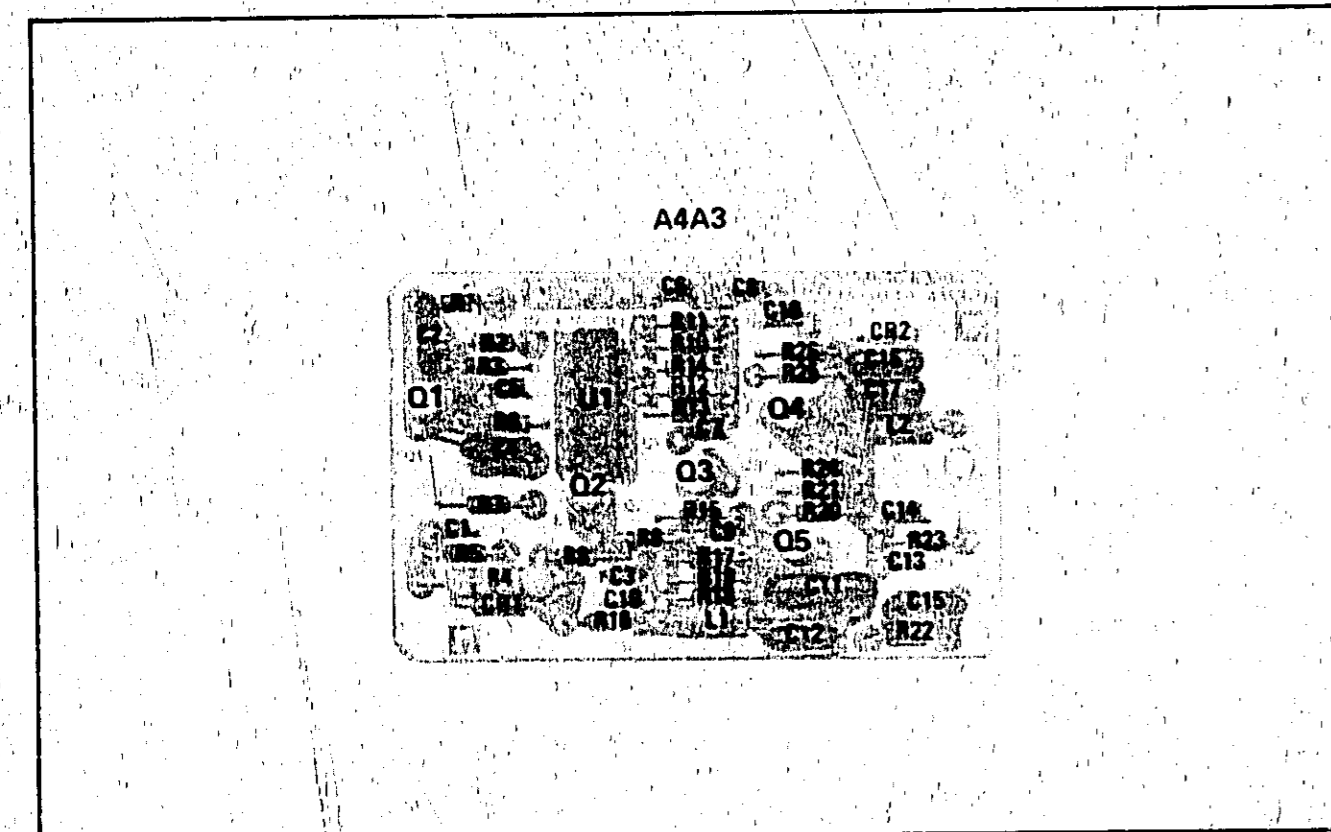


Figure 8-20. A4A3 Reference Divide-by-Two Component Locations

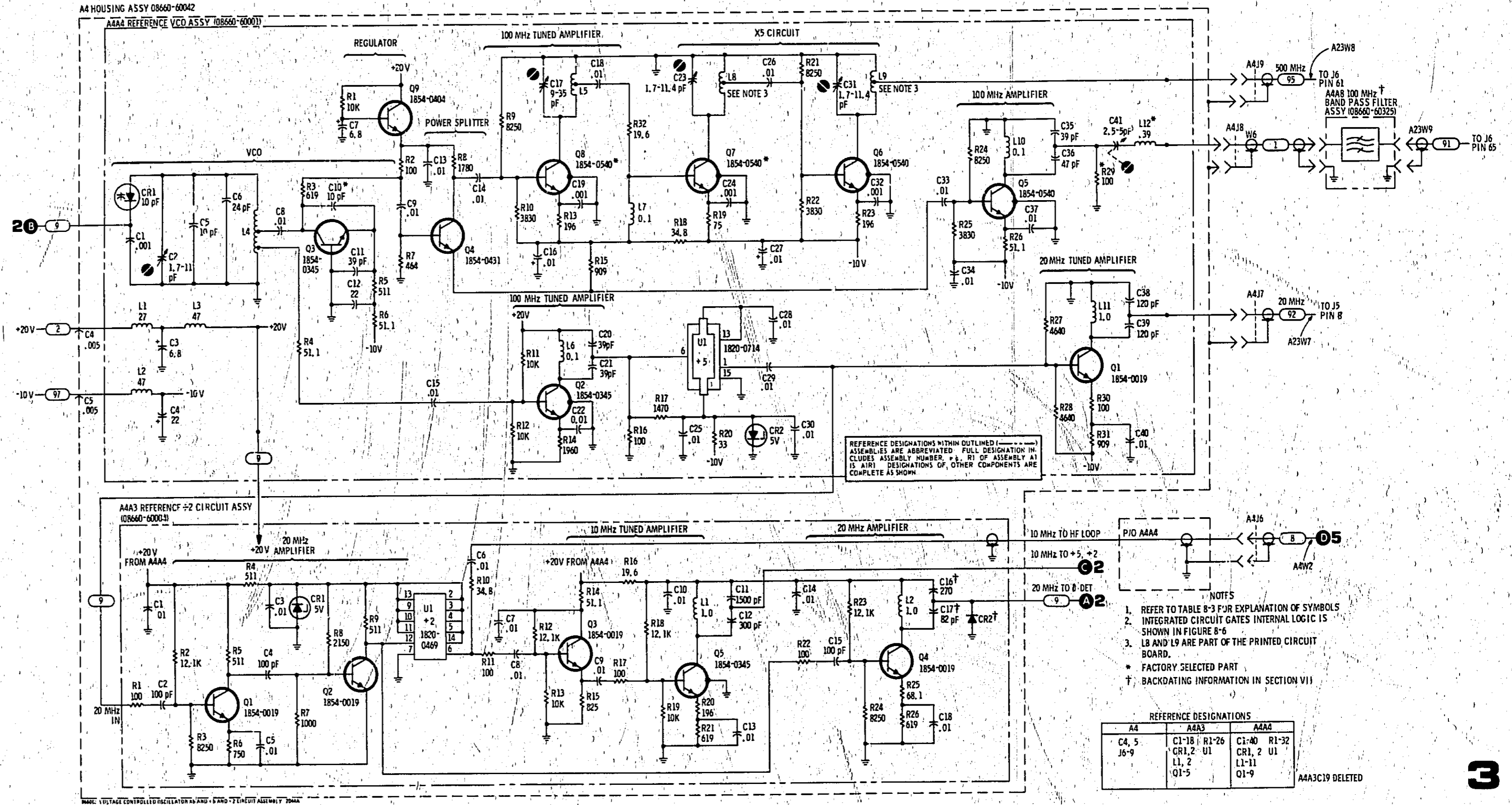


Figure 8-21. Reference VCO and Divider Schematics

SERVICE SHEET 4

PRETUNING ASSEMBLY (A4A6)

Normally, causes of malfunctions in the Model 8660C will be isolated to a circuit board or assembly as a result of performing the tests specified in the troubleshooting trees.

The A4A6 assembly, a part of the three-assembly High Frequency Loop, is shown schematically and described on this service sheet. The other two assemblies, A4A5 and A4A7, are shown schematically and described on Service Sheets 5 and 6.

NOTE

After making repairs in any parts of the HF Loop circuits the adjustment procedure specified in Section V paragraph 5-28 should be performed to ensure proper operation of the instrument.

TEST EQUIPMENT REQUIRED (See Table 1-2)

Digital Voltmeter

HIGH FREQUENCY LOOP GENERAL INFORMATION

The purpose of the HF loop is to provide a precise digitally controlled output frequency between 350 and 450 MHz in 10 MHz increments. This output is used in the internal extension module and in the plug-in RF Sections to provide the desired output signal.

PRETUNING CIRCUIT

Q1 through Q11, U1 and associated components comprise a digital to analog converter which pretunes the A4A5 voltage controlled oscillator. The pretuning circuit cannot, by itself, set the oscillator frequency precisely; it does set the frequency within the capture range of the loop.

Integrated circuit U1 is a decoder which converts the BCD input from CF digit 8 to individual select lines which turn on one of nine transistors connected in a resistive network. The transistor which is turned on effectively grounds one point in the resistive network. The voltage level output to the voltage controlled oscillator depends on which transistor is turned on. The voltage varies from about -7 volts (350 MHz) to about -34 volts (450 MHz).

A single input line, representative of BCD '1' from CF digit 9 drives Q1 to turn on Q11. Q11, the tenth transistor switch in the pretuning network, grounds the lowest resistance point in the network; it pretunes the voltage controlled oscillator to 350 MHz.

TEST PROCEDURE

Test 1-a. With the digital voltmeter connected to the junction of R15, R18 and R19 set the CF as shown in Table 8-44. The voltages shown in the table are typical; the actual voltage levels will depend on the characteristics of the varactor used in the voltage controlled oscillator.

If changing the setting of CF digit 8 through its range does not result in a change in the dc level at the junction of R15, R18 and R19, U1 may be defective.

Test 1-b. Use the digital voltmeter to check the A, B, C and D inputs to U1 from CF digit 8. These inputs are binary 1 2 4 8 positive true logic. (Example: with CF digit 8 set to a 3, U1 pins 15 and 14 should be high, about +4 volts, and pins 12

SERVICE SHEET 4 (Cont'd)

and 13 should be low, about 0.3 volt). If the A, B, C and D inputs to U1 are correct, use the digital voltmeter to check the U1 output. (Example: if thumbwheel digit 8 is set to a 3, inputs A and B will be high and U1 pin 4 will go low.)

Operation of transistors Q2 through Q11 may be checked by checking the dc level at their collectors which are connected to the transistor shell. The numbers plated on the circuit board next to the potentiometers correspond to CF digits 8 and 9. CF digit 8 controls Q2 through Q10 and CF digit 9 drives Q1 to control Q11. The metallic shell (collector) of the transistor selected goes low (0.1 volt or less).

SUMMING CIRCUIT

Common base current source Q13 sums the output of the digital to analog converter, current from a +20 volt source (R13) and the error signal from the A4A7 sampling phase detector. The output of the digital to analog converter is partially controlled by common base current source Q14. Conduction of Q14 is controlled by a temperature sensitive stabistor diode on the voltage controlled oscillator circuit board. The current from Q14 is injected into the pretuning network to provide correct compensation for the voltage controlled oscillator drift characteristics. Q12 provides a means of coupling the error signal from the phase detector through C7 to the voltage controlled oscillator in the A4A5 assembly.

TEST PROCEDURE

Test 2-a. Connect the digital voltmeter to the A4A6 output labeled FREQ on the circuit board. Set the CF digits as shown in Table 8-44. The voltages shown are typical; actual voltage levels depend on the characteristics of the varactor in the voltage controlled oscillator.

If the voltages were correct in test 1-a, but are not in test 2-a, check Q12, Q13 and associated components.

Table 8-44. Pretuning DC Levels

Center Frequency	Test 1-a DC Level	Test 2-a DC Level
0000.010000 MHz	-34.7 volts	-34.5 volts
0010.010000 MHz	-28.3 volts	-29.3 volts
0020.010000 MHz	-23.1 volts	-25.0 volts
0030.010000 MHz	-18.7 volts	-21.4 volts
0040.010000 MHz	-14.9 volts	-18.4 volts
0050.010000 MHz	-11.6 volts	-15.7 volts
0060.010000 MHz	-8.9 volts	-13.5 volts
0070.010000 MHz	-6.5 volts	-11.6 volts
0080.010000 MHz	-4.5 volts	-9.9 volts
0090.010000 MHz	-2.6 volts	-8.4 volts
0100.010000 MHz	-1.1 volts	-7.2 volts

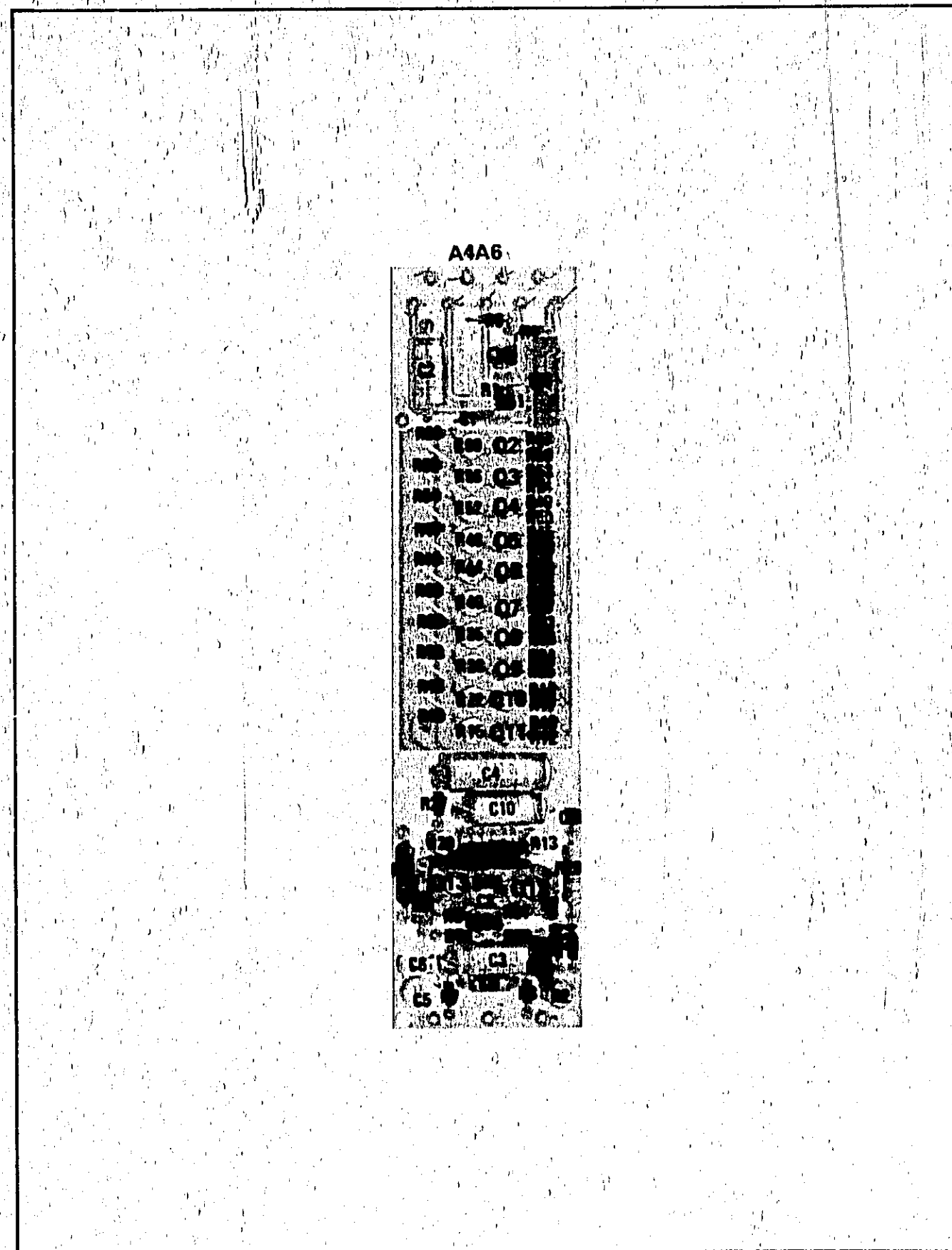


Figure 8-22. A4A6 HF Loop Pretuning Component Locations

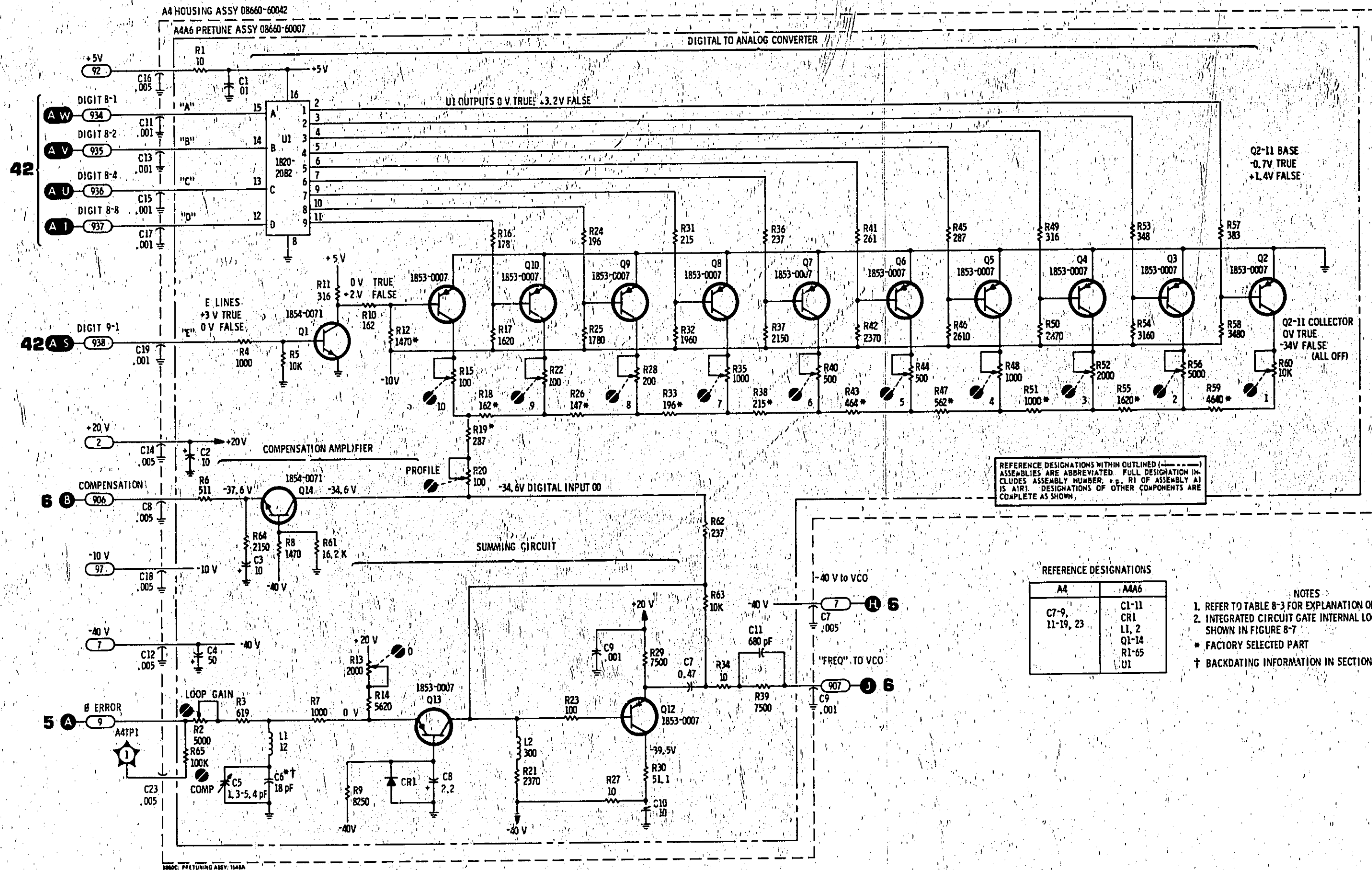


Figure 8-23. HF Loop Pretuning Circuit Schematic

SERVICE SHEET 5

SAMPLING PHASE DETECTOR (A4A7)

Normally, causes of malfunctions in the Model 8660C will be isolated to a circuit board or assembly as a result of performing the tests specified in the troubleshooting trees.

The A4A7 assembly, a part of the three-assembly High Frequency Loop, is shown schematically and described on this service sheet. The other two assemblies, A4A5 and A4A6, are shown schematically and described on Service Sheets 4 and 6.

NOTE

After making repairs in any part of the HF Loop circuits the adjustment procedure specified in Section V paragraph 5-28 should be performed to ensure proper operation of the instrument.

TEST EQUIPMENT REQUIRED (See Table 1-2)

Oscilloscope (with 10:1 divider probes)
Test Oscillator
Digital Voltmeter

HIGH FREQUENCY LOOP GENERAL INFORMATION

The purpose of the HF loop is to provide a precise digitally controlled output frequency between 350 and 450 MHz in 10 MHz increments. This output is used in the internal extension module and in the plug-in RF Sections to provide the desired output signal.

The sampling phase detector compares the voltage controlled oscillator output to a 10 MHz signal from the reference section. The output of the phase detector circuit is a beat note or a varying dc level. The phase detector assembly contains a pulse generator, a sampler, and a signal processing circuit.

PULSE GENERATOR

Q1 and Q2 comprise a non-saturating, limiting amplifier. It provides a constant amplitude square wave (about 6 volts) derived from the 10 MHz reference signal. The circuit is designed to minimize the sensitivity of the output ac swing to power supply ripple.

The output of Q2 is applied to Q3 which converts the signal to a stable current waveform. A two-to-one stepdown transformer (T1) is used in conjunction with Q3 to provide the additional current required to drive the step-recovery diode CR1.

When Q3 conducts heavily CR1 is reverse biased by the signal which appears across the secondary winding of T1. When Q3 is turned off the collapsing

SERVICE SHEET 5 (Cont'd)

inductive field of the T1 primary winding and the resonant circuit of L5 and C10 cause a flyback action which drives CR1 into conduction. L4 and C9 also enhance the flyback action.

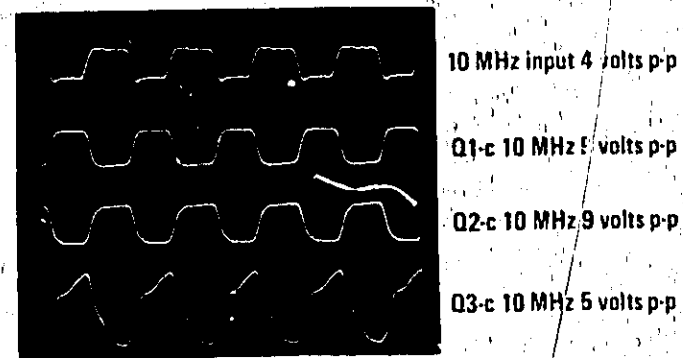
NOTE

One of the characteristics of a step-recovery diode, also called a charge-storage diode, is that the junction transition capacitance accumulates a charge while the diode is forward biased.

When the pulse which forward biased CR1 has ended, CR1 is again reverse biased; however, current will flow in the reverse direction until the charge stored in CR1 is depleted. When the charge stored in CR1 is depleted current flow stops abruptly; the sharp current transition causes L6 and L7 to develop large narrow voltage spikes of about 6 volts amplitude and one nanosecond in duration. The pulse is positive-going at L7 and negative-going at L6. These pulses are coupled through C10, C11 and balun T2 to forward bias the diodes in the sampler bridge. Balun T2 improves amplitude balance of the pulses.

TEST PROCEDURE

Test 1-a. Composite waveform SS5-1 illustrates the correct waveforms for the three stages of the pulse generator.



Composite Waveform SS5-1

NOTE

Since an oscilloscope would load the remainder of the pulse generator circuit, and due to the short duration of the gate pulse, waveform analysis is not practicable. If the waveforms are as shown in SS5-1 and the loop does not phase lock, proceed to test procedure

SAMPLER AND SIGNAL PROCESSOR

The sampler is a matched quad diode gate which is normally reverse biased. When the step-recovery diode generates the gate pulse all four of the sampler gate diodes are simultaneously forward biased. When the sampler gate diodes are forward

Service

SERVICE SHEET 5 (Cont'd)

biased a sample of the signal from the A4A5 voltage controlled oscillator is taken and stored in C13.

Q4 and Q5 comprise a differential amplifier. The non-inverting input (G2) is derived from the sampling circuit. The output is applied to emitter-follower Q6 which provides a low impedance phase error output. The output of Q6 is also fed back to the differential amplifier inverting input (G1) to close the loop at unity gain. The holding capacitor, C13 is connected directly between the two inputs to Q4; this bootstraps C13 to extend the sampler's frequency response.

CR8 and CR9 provide reverse bias voltages for the sampling gate diodes. These bias voltages are balanced and centered on the output signal to improve sampler efficiency.

R18 controls the response of the sampler by varying the amount of back-bias for the bridge; it is adjusted for maximum frequency response with minimum peaking.

R22 controls the quiescent output level to the summing circuit in A4A6; it should be adjusted for zero output with the input from the voltage controlled oscillator disconnected.

If the voltage controlled oscillator output is harmonically related to the reference signal the output of the phase detector is proportional to the sine of the difference in phase of the two signals. If the voltage controlled oscillator frequency is not harmonically related to the reference signal, the output of the phase detector is a beat note at the difference frequency.

TEST PROCEDURE

Test 2-a. Disconnect the input to the sampler gate from the A4A5 voltage controlled oscillator and substitute a 1 MHz, 10 dBm signal from the test oscillator. Connect the oscilloscope to the phase error output (labeled θ on the circuit board). Varying the output level of the test oscillator should cause the oscilloscope display to follow the amplitude change.

If the oscilloscope display is not as specified proceed to test 2-b.

If the display is correct and the display for test 1-b was correct, check the step-recovery diode and associated components.

Test 2-b. With the oscilloscope connected as it was in test 2-a, inject the 1 MHz signal at Q4-G2. If the signal is now displayed on the oscilloscope and varies as the output of the test oscillator is varied, check the step-recovery diode, the sampler gate diodes and associated components.

If the signal is not displayed check Q4, Q5, Q6 and associated components.

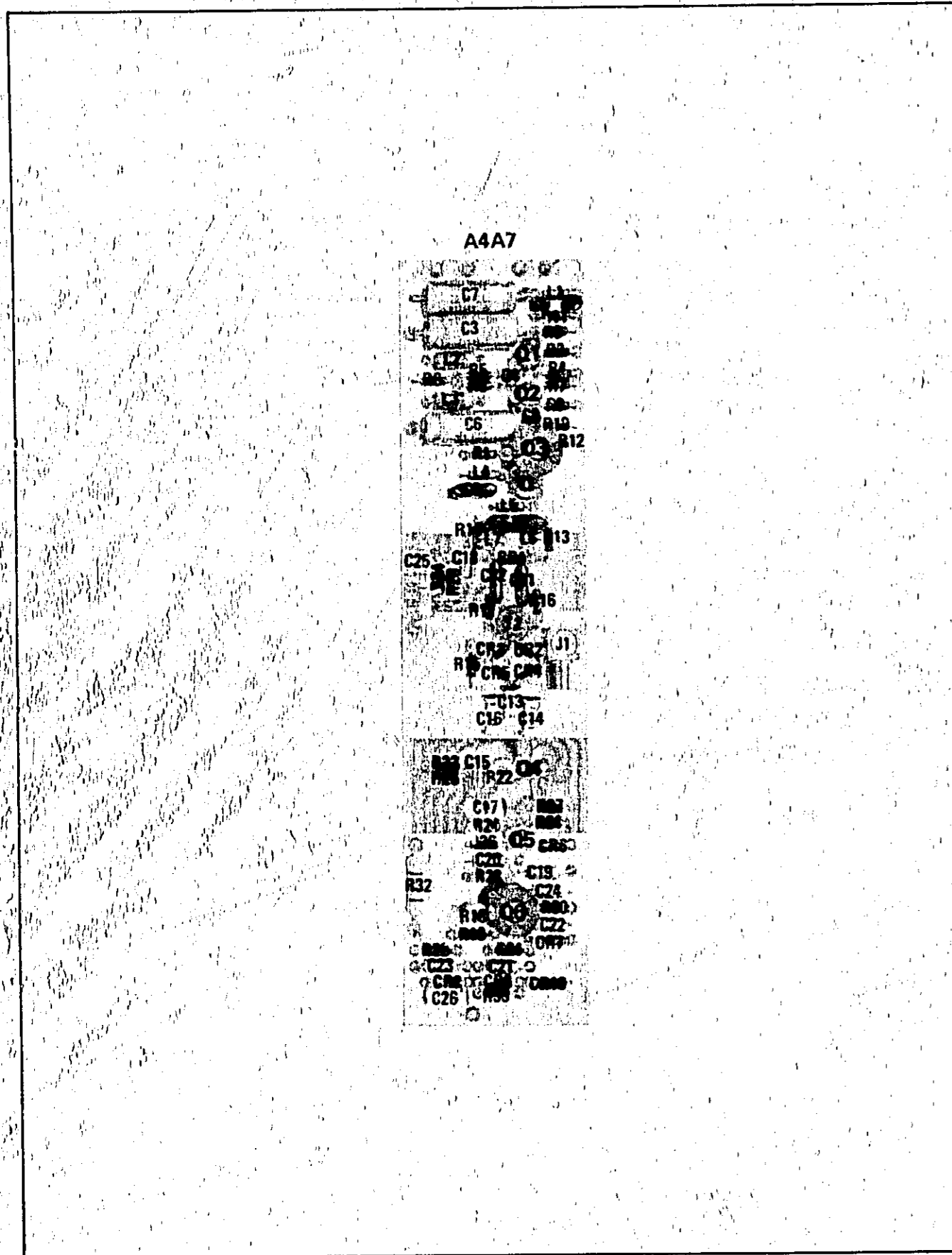


Figure 8-24. A4A7 HF Loop Phase Detector Component Locations

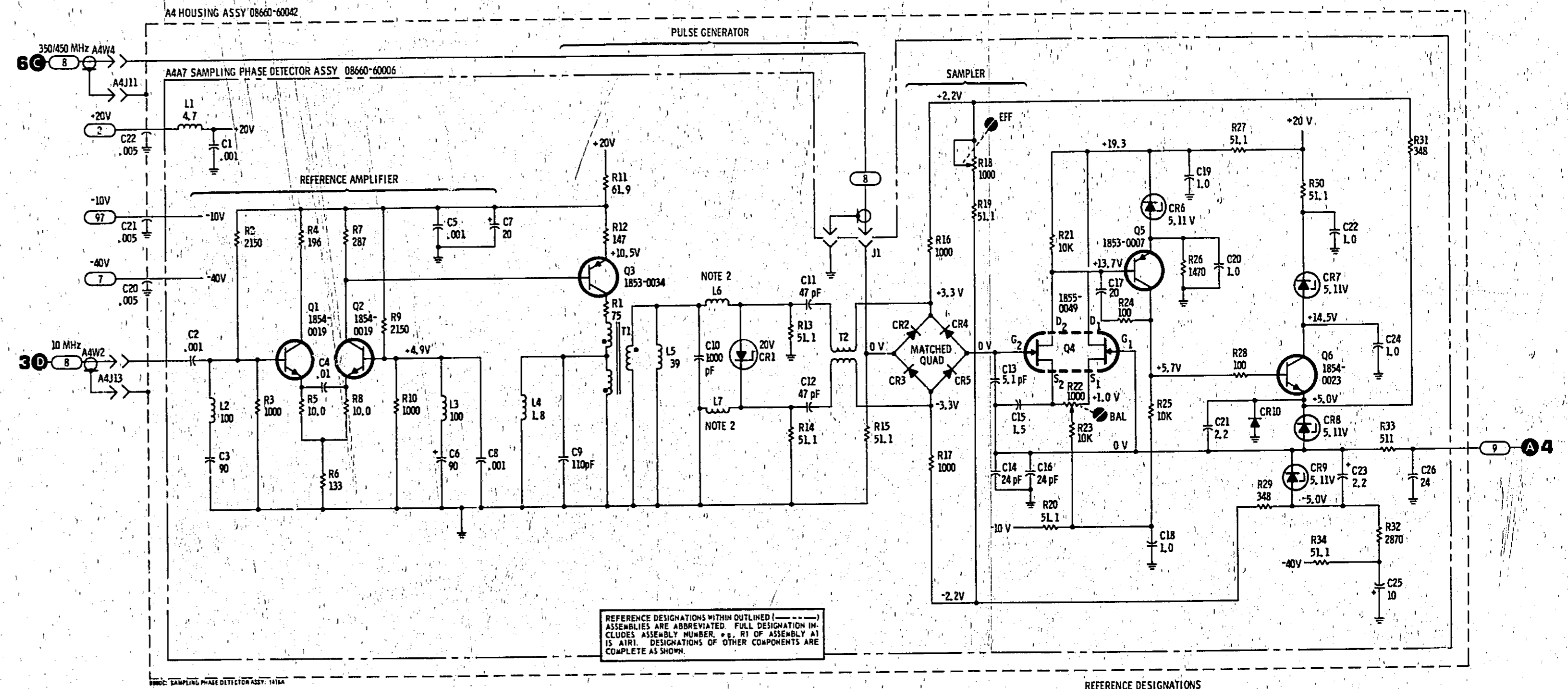


Figure 8-25. Sampling Phase Detector Schematic

SERVICE SHEET 6

VCO AND AMPLIFIERS (A4A5)

Normally, causes of malfunctions in the Model 8660C will be isolated to a circuit board or assembly as a result of performing the tests specified in the troubleshooting trees.

The A4A5 assembly, a part of the three-assembly HF Loop, is shown schematically and described on this service sheet. The other two assemblies, A4A6 and A4A7, are shown schematically and described on Service Sheets 4 and 5.

NOTE

After making repairs to any part of the HF Loop circuits the adjustment procedures specified in Section V paragraph 5-28 should be performed to ensure proper operation of the instrument.

TEST EQUIPMENT REQUIRED (See Table 1-2)

Digital Voltmeter
Spectrum Analyzer
Frequency Counter

HIGH FREQUENCY LOOP GENERAL INFORMATION

The purpose of the HF Loop is to provide a precise digitally controlled output frequency between 350 and 450 MHz in 10 MHz increments. This output is used in the Frequency Extension Module and in the plug-in RF Section to provide the desired output signal.

VCO AND AMPLIFIERS

Transistor A4 and associated components comprise a voltage controlled oscillator. The output frequency, when the loop is phase locked, is always a 10 MHz harmonic between 350 and 450 MHz. C3 is adjusted to set the high frequency end of the band. C1 is part of the loop filter in the control path and also provides an ac ground for the varactor at the bias point.

The oscillator output (about .5 volts rms) is coupled through an isolation transformer to two identical three-stage buffer amplifiers. The isolation transformer splits the power equally to the two amplifiers and also eliminates feedthrough of extraneous signals from one amplifier to the other. The amplifiers provide outputs that are about 1 volt rms into 50 ohms.

Additional isolation from extraneous signals is provided by separate power supply inputs to the two amplifiers, extensive decoupling between stages, multiple grounding points for individual stages and separation of ground planes for individual stages.

CR2 is a stabistor used for temperature compensation for the voltage controlled oscillator. The forward voltage drop of the stabistor changes with the voltage controlled oscillator temperature and controls a current source (A4A6Q14) in the pre-tuning assembly.

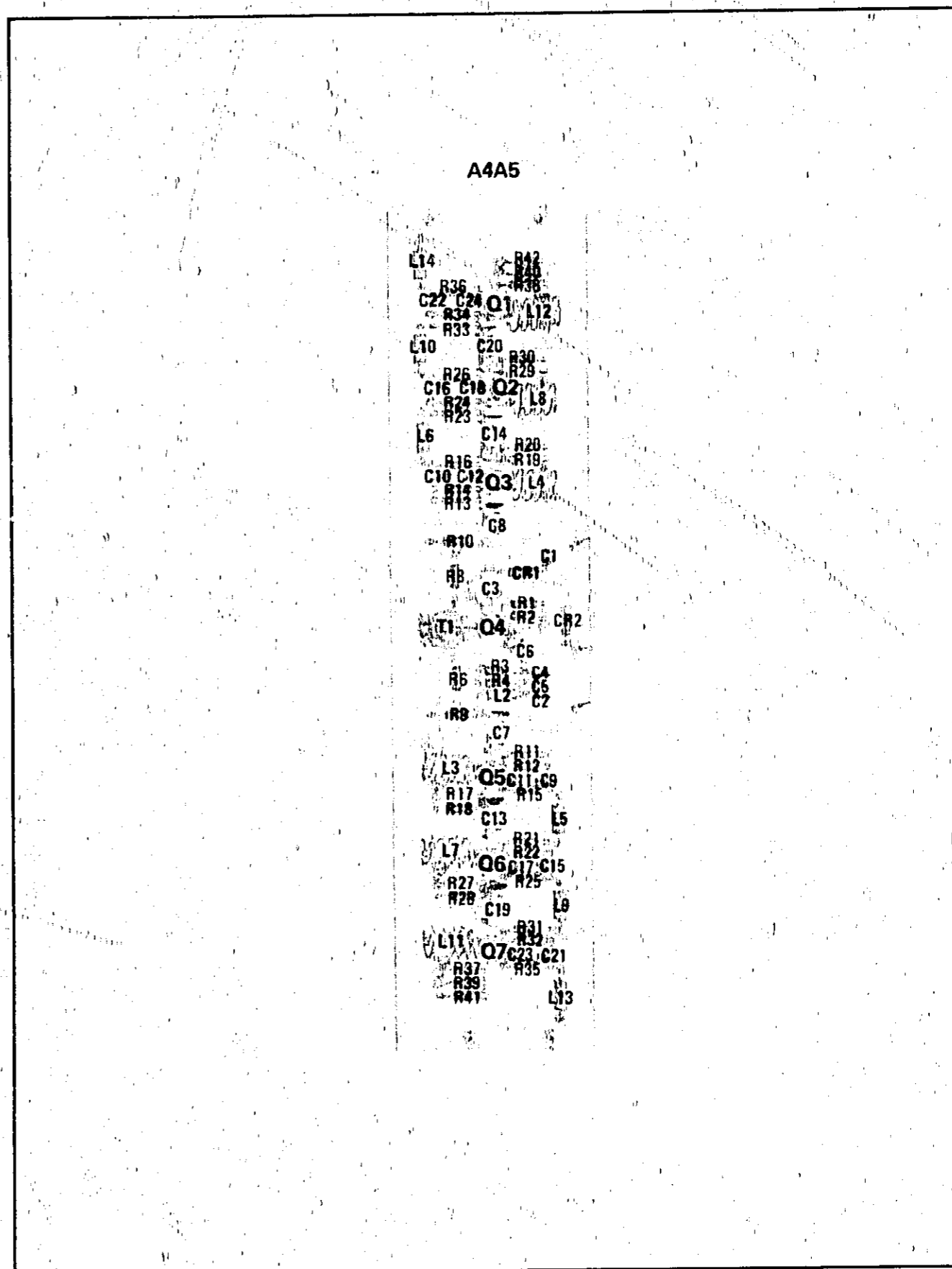


Figure 8-26. A4A5 HF Loop VCO Component Locations

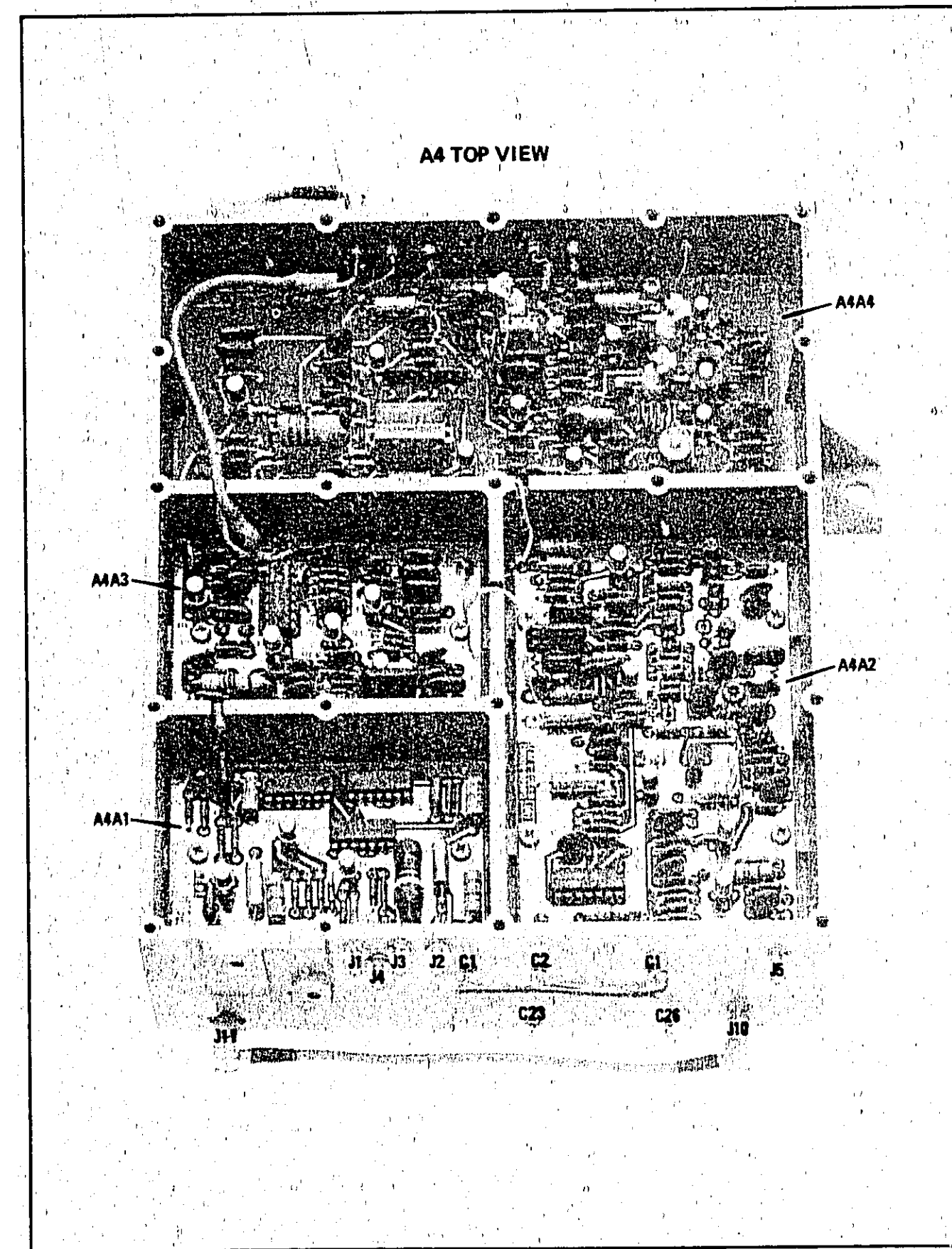


Figure 8-27. A4 Assembly Top View

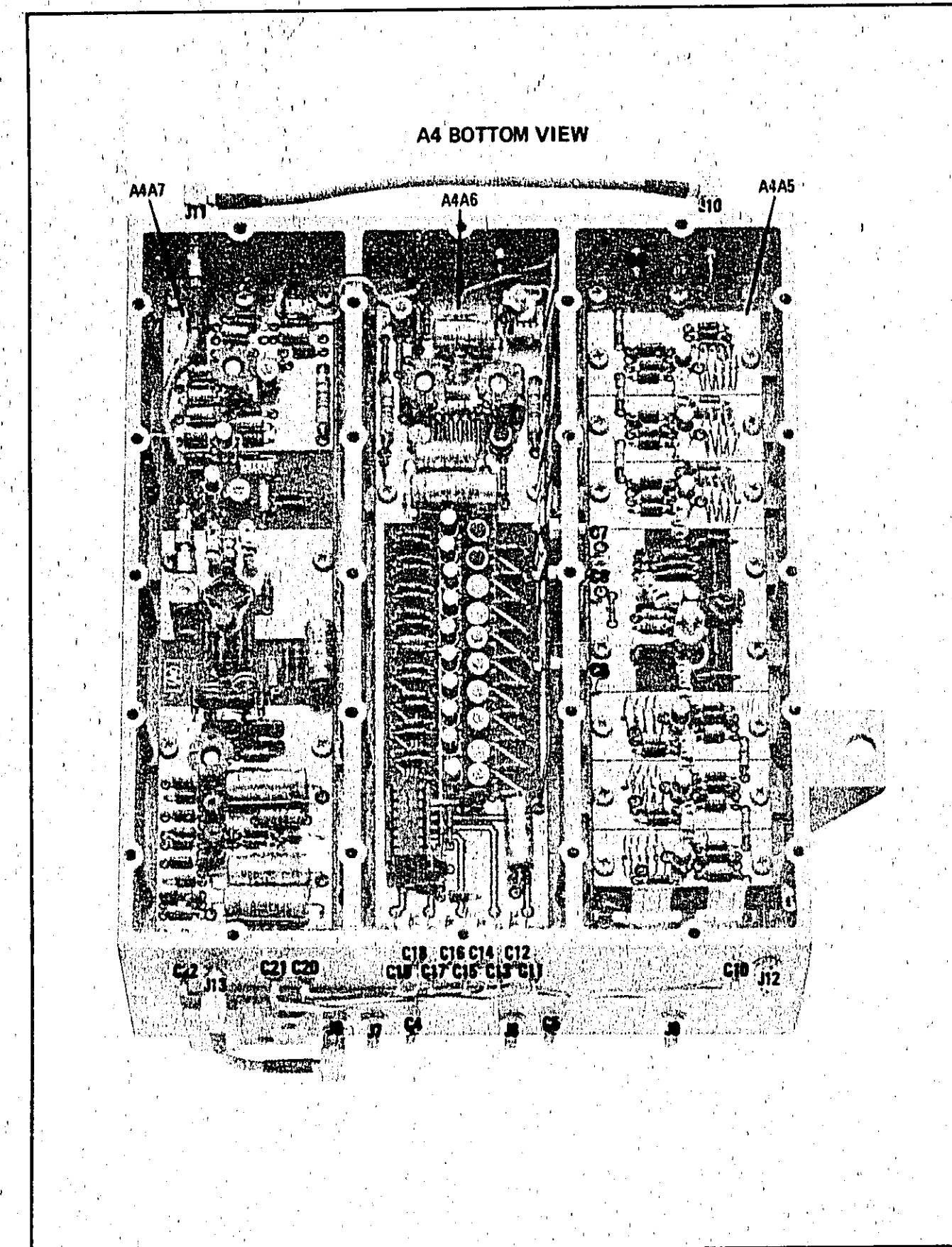


Figure 8-28. A4 Assembly Bottom View

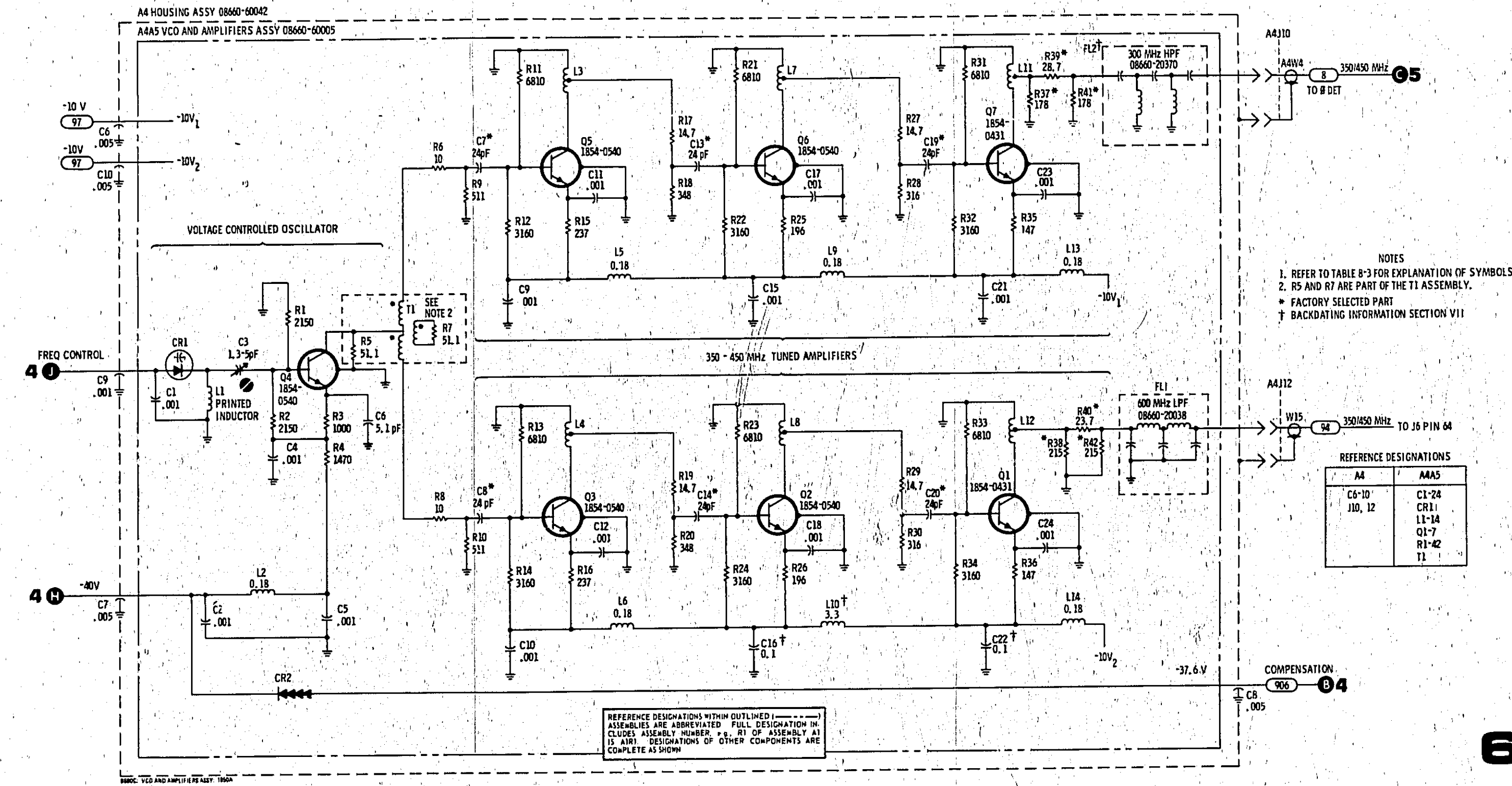


Figure 8-29. VCO and Amplifiers Schematic

SERVICE SHEET 7

N1 PHASE DETECTOR ASSEMBLY A16

Normally, causes of malfunctions in the Model 8660C will be isolated to a circuit board or assembly as a result of performing the tests specified in the troubleshooting trees.

The A16 assembly, a part of the two-assembly N1 phase lock loop is shown schematically and described on this service sheet. The N1 Oscillator assembly, A17, is shown schematically and described on Service Sheet 8.

When trouble has been isolated to the A16 assembly it should be removed and reinstalled using two extender boards. This will provide easy access to test points and components.

NOTE

After making repairs in any part of the N1 loop circuits the adjustment procedures specified in Section V paragraph 5-29 should be performed to ensure proper operation of the instrument.

TEST EQUIPMENT REQUIRED (see Table 1-2)

Oscilloscope (with 10:1 divider probes)
Digital Voltmeter
Frequency Counter

N1 LOOP GENERAL INFORMATION

The purpose of the N1 loop is to generate digitally controlled RF signals in the range of 19.8 to 29.7 MHz in selectable 100 kHz increments. The voltage controlled oscillator is phase locked to a 400 kHz reference which is derived from the master oscillator in the reference section. The RF output from the N1 loop is applied to Summing Loop 1.

PROGRAMMABLE DIVIDER CIRCUIT

The integrated circuits in the A16 assembly, except for U1, are all used to count down the input from the N1 voltage controlled oscillator. When there is no BCD input (all inputs low) and the loop is locked, the input from the voltage controlled oscillator will be 29.7 MHz; the programmable divider will divide by 297 and provide a 100 kHz output at TP3. U5 and U6 are preset by CF digits 6 and 7 and programmed to vary between start counts of 00 to 99. Operation of the circuit is as follows:

Assume that initially there are no BCD input to decade dividers U5 and U6 and they have been preset to zero. Assume also that U2A pin 6 (Q) and U2B pin 8 (Q) are both low. U4 pin 6 (Q), U3A pin 6 (Q) and U3B pin 8 (Q) are all high.

AND gate U7A functions as a Schmitt trigger to change the incoming positive half cycles of the sine wave from the voltage controlled oscillator to positive-going pulses. These pulses clock U5 when AND gate U7B is enabled. U5 pin 12 provides a divided-by-ten output to clock U6 and also provides A and B (BCD 1 and 2) outputs. The A and B outputs of U5 have no effect on U4 until AND gate U7C pin 8 goes high (AND gate U7C will be discussed later in this text).

U6 pin 12 provides a divided-by-one hundred output to clock U2A and also provides A and D (BCD 1 and 8) outputs to AND gate U7C. The A and D outputs have no effect on AND gate U7C until after U2B pin 8 (Q) goes high at the count of 200.

The D output of U6 (pin 12) goes high on the count of 8 (80 input pulses to U5). This output has no effect on U2A because U2A is clocked on negative-going pulses only.

The D output of U6 (pin 12) goes low at the count of 10 (100 input pulses to U5) and clocks U2A. This causes U2A pin 6 (Q) to go high. When the D output of U6 (pin 12) again goes low at the count of 10 (200 input pulses to U5), U2A is again clocked and the Q output goes low to clock U2B. When U2B pin 8 (Q) goes high it provides a high input to AND gate U7C pin 11.

SERVICE SHEET 7 (Cont'd)

Ninety input cycles after U2B pin 8 (Q) goes high (290 input cycles), U6 A and D outputs (BCD 1 and 8) go high and enable AND gate U7C and provide a high to J input 3 of U4. U4 still cannot be clocked because U4 J pins 4 and 5 are still low.

Three input cycles after U4 pin 3 goes high (293 input cycles), the A and B outputs of U5 (BCD 1 and 2) go high and enable the J input to J-K flip-flop U4.

The 294th input cycle will clock U4 at pin 12 because all J and K inputs are high. When clocked, U4 Q goes low and AND gate U7B is no longer enabled; the count, as far as U5, U6 and U2 are concerned, is ended. When U4 Q goes low it also sets U3A and U3B; the Q outputs go low and the Q outputs go high. When U3A pin 6 (Q) goes low it is used to preset U5 and U6 to the start count programmed by CF digits 6 and 7 or by remote control; U2A and U2B Q outputs are set low. When U5, U6, U2A and U2B are preset the J input to U4 is no longer enabled since the count is no longer at the 'sense' count of 293.

When U3B pin 9 (Q) goes high the leading edge is used to generate the sampling pulse. The first pulse to the sampling phase detector is initiated by the 294th input cycle. Since three more cycles are required to restart the count cycle, following sampler pulses are 297 cycles apart.

The 295th input cycle will clock U4 and since U4 K is high, U4 Q will go high. This Q high is applied to the K input of U3A (pin 2) and to pin 4 of AND gate U7B. AND gate U7B will not be enabled because U3B pin 8 (Q) is holding AND gate U7B pin 5 low.

The 296th input cycle will clock U3A because the K input is now high. U3A pin 6 (Q) will go high. This high Q output is applied to AND gate U7B pin 5 and the next count cycle is enabled through AND gate U7B.

When there is a preset input programmed into U5 and U6 pins 3, 4, 10 and 11 the terminal count is still 297. However, the count starts at the number programmed into the BCD inputs. As an example, if the BCD input into U5 and U6 is 99, the first cycle would cause the same digital circuit changes that the 100th cycle caused in the discussion above (U2A would be clocked). The frequency division would be 297 - 99, equal to division by 198. The phase lock loop operation would result in an input frequency to the programmable divider of 19.8 MHz. When divided by 198, the divider output at TP3 would again be 100 kHz.

The output from U3B at TP3 is always 100 kHz when the voltage controlled oscillator is phase locked to the reference signal.

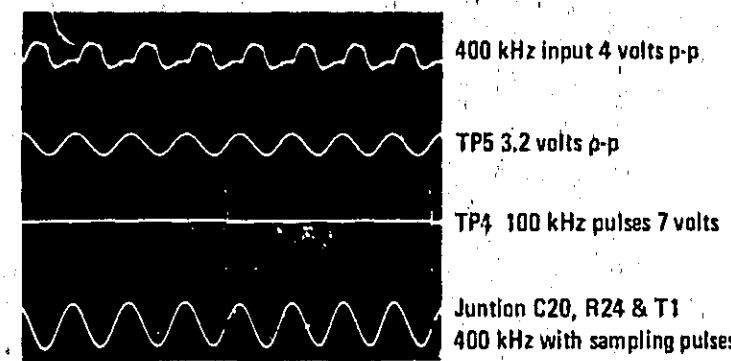
Q6 and CR1 provide Vcc to U3 to minimize the effect of power supply ac ripple and line variations.

TEST PROCEDURE

Composite waveform SS7-1 illustrates the proper timing relationship between the 400 kHz reference input, the pulse output from the

SERVICE SHEET 7 (Cont'd)

pulse generator and the sampling point on the 400 kHz reference signal when the loop is phase locked.



Composite Waveform SS7-1

NOTE

In the following tests the CF is set to 0 unless otherwise noted.

Test 1-a. Use the frequency counter to check for 400.000 kHz at TP5.

If the 400.000 kHz signal is displayed on the counter, verify that the sine wave at TP5 is as shown in trace 2 of composite waveform SS7-1. If the signal is as shown proceed to test 1-b.

If the 400 kHz signal cannot be counted or does not appear as shown on the composite waveform for TP5, check the reference input at XA16-1-2. The reference input signal should be about 4 volts peak-to-peak and 400 kHz as shown in trace 1 of composite waveform SS7-1. If the correct waveform is observed, but was not observed at TP5, check Q1, Q2 and associated components. If the correct waveform is not present, check the cabling to the reference loop and, if necessary, the reference loop (See Service Sheet 3).

If trouble is found and corrected, perform the adjustment procedures specified in paragraph 5-16 to verify proper operation of the loop.

Test 1-b. Connect one oscilloscope channel and the counter to TP4 and the other oscilloscope channel to the junction of C20, R24 and T1. If the loop is locked the waveforms will be as shown in traces 3 and 4 of composite waveform SS7-1 and the counter will display 100.000 kHz.

Note that the waveform shown by trace 3 of the composite waveform may appear as shown even if the counter does not indicate 100.000 kHz. This is because the frequency sensitivity of the oscilloscope is not as exacting as the frequency sensitivity of the counter.

If the programmable divider and the pulse shaper are working properly but the loop is not locked, trace 4 as shown in composite

SERVICE SHEET 7 (Cont'd)

waveform SS7-1 may still show the pulses, but the signal between the pulses will be erratic.

Test 1-c. If the pulses are not present at TP4 or the junction of C20, R24 and T1 and the counter counts randomly or not at all, connect the oscilloscope to TP3. The oscilloscope should display a waveform similar to that shown in trace 3 of the composite waveform SS7-1 at about half the amplitude.

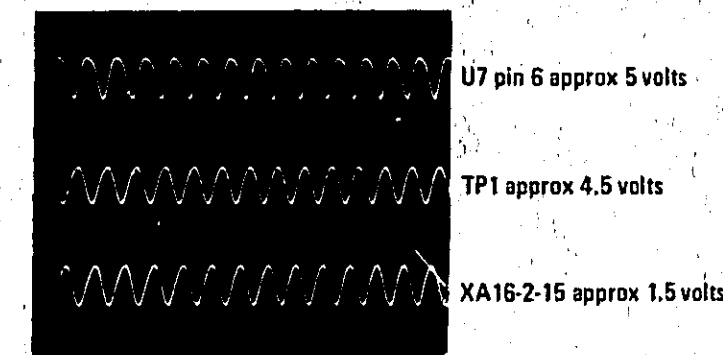
If the pulses are not present at TP3 proceed to test 1-d.

If the pulses are present at TP3 but were not present at TP4, check Q4, Q5 and associated components. After repairs are made recheck test procedure 1-b.

If the pulses are now present at TP4 and the junction of C20, R24 and T1, but the four-cycle sine wave is not present as shown in trace 4 of composite waveform SS7-1, rotate R38 through its range to see if the proper waveform can be obtained. If the frequency displayed on the counter does change as R38 is rotated but phase lock cannot be achieved, check Q3, the sampling diodes and associated components.

Test 1-d. If the pulse is not present at TP3 in test 1-c connect the oscilloscope to AND gate U7B pin 6. The waveform should be as shown in the top trace of composite waveform SS7-2. If the correct signal is observed proceed to test 1-e.

If the correct signal is not observed connect the oscilloscope to TP1. The waveform should be as shown in the center trace of composite waveform SS7-2. If the signal is present, but was not present at AND gate U7B pin 6, use the digital voltmeter to check the voltage at pins 4 and 5 of AND gate U7B. The digital voltmeter should indicate about 4 volts. If the voltages are present AND gate U7B is defective.



Composite Waveform SS7-2

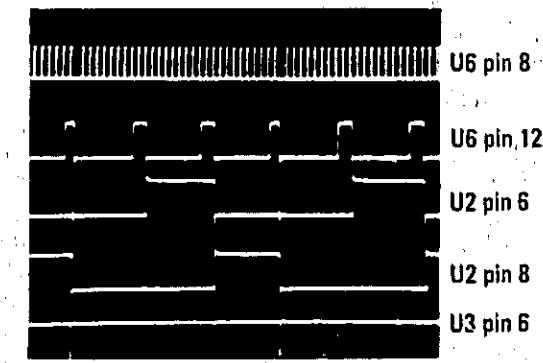
If the voltages are not present at AND gate U7B pins 4 and 5, ground pin 2 of U4. If the signal now appears at AND gate U7B pin 6, U3 and U7B are functioning properly. The trouble is probably in the gating circuit to U4. Proceed to test 1-e.

If the signal is not present at TP1, use the oscilloscope to check the input from the voltage controlled oscillator at XA16-2-15. The signal should be as shown in the lower trace in composite waveform SS7-2.

SERVICE SHEET 7 (Cont'd)

If the signal is present AND gate U7A is probably defective. If the signal is not present, the A17 assembly or interconnections are defective.

Test 1-e. It is assumed in this test that the signal from the N1 voltage controlled oscillator is present at U5 pin 8. Composite waveform SS7-3 illustrates the correct waveforms at the points shown. All signals are about 4.5 volts.

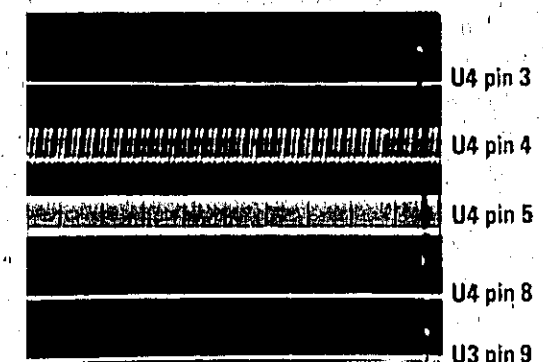


Composite Waveform SS7-3

If none of the waveforms are present, U5 is probably defective.

Note that the reset pulse in trace 5 is in time coincidence with the 'missing' pulse in trace 1 and that the reset pulse resets traces 2 and 4.

Test 1-f. Composite waveform SS7-4 illustrates the correct waveforms at the points shown. All signals are about 4.5 volts in amplitude. Sync the oscilloscope to TP3 for this test.



Composite Waveform SS7-4

Note that U4 pin 8 goes high only when all of the J inputs (U4 pins 3, 4 and 5) are high.

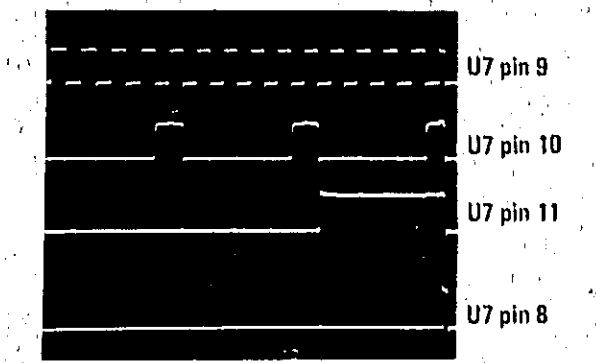
If the waveforms for traces 2 and/or 3 are not present, U5 is probably defective.

If the waveforms for traces 1, 4 and 5 are not present, proceed to test 1-g.

Test 1-g. Composite waveform SS7-5 illustrates the correct waveforms at the points shown. All signals are about 4.5 volts in amplitude. Sync the oscilloscope to TP3 for this test.

HF Loop VCO
SERVICE SHEET 6

SERVICE SHEET 7 (Cont'd)



Composite Waveform SS7-5

If the inputs to AND gate U7C are not as shown, U6 or U2 may be defective.

If the inputs are as shown but there is no output at AND gate U7C pin 8, U7 is defective.

PULSE AMPLIFIER

The positive-going output from U3B pin 9 is used to generate the pulse required to open the sampler gate. Common base amplifier Q5 and emitter follower Q4 amplifies and couples the pulse to T1. CR2 and CR3 are used to minimize flyback action. CR3 also bypasses the negative-going pulse around the transformer primary to ensure that only the positive-going pulse is coupled to the transformer secondary.

A 400 kHz signal from the reference loop is applied to the secondary center tap of T1. L5 and C8 (along with C7 in the reference loop A4A1 assembly) comprise a low pass filter with a cut off frequency of about 500 MHz. The TTL input from the reference loop is reshaped into a sine wave by the low pass filter. L6 and C13 comprise a tuned circuit which bypasses unwanted signals and further filters the sine wave.

Sampler diodes CR4 and CR5 are normally reverse biased. When the sampling pulse appears across the secondary of T1 it is coupled through C20 and C21 to forward bias CR4 and CR5. Since the gate pulses are equal in amplitude but opposite in polarity, they will cancel at TP6.

While CR4 and CR5 are forward biased the sampling gate is open and the 400 kHz reference signal is sampled.

This type of sampling phase detector may be phase locked at virtually any point on the sine wave curve. Ideally, the zero crossover point of the sine wave should be used to improve the lock and hold-in capability of the loop.

If the divided down output of the voltage controlled oscillator in the A17 assembly (100 kHz pulses) is not phase locked to the 400 kHz reference signal an ac signal is developed at TP6. The polarity of the signal at any given time depends on the polarity of the 400 kHz reference signal at the time the last sample was taken. The amplitude of the signal at any given time depends on what portion of the sine wave the last sample was taken from. Each time CR4 and CR5 are forward biased the signal derived from the 400 kHz reference signal at T1 terminals 4 and 6 are coupled through the sampling gate to control the charge on C22.

When the sampling gate pulse ends, CR4 and CR5 are again reverse biased and the sampling gate is closed. Since Q3 is a high impedance device, the charge will remain on C22 until the next sampling pulse. The error signal from Q3 is applied to the summing amplifier in the A17 assembly through operational amplifier U1.

Test point 8 may be grounded to open the phase lock loop. Since the emitter of A17Q4 in the A17 assembly is also almost exactly at dc ground level, grounding this test point will not affect the pretuning circuit. With the loop open both the pretuning and the error signal may be checked.

SERVICE SHEET 7 (Cont'd)

TEST PROCEDURE

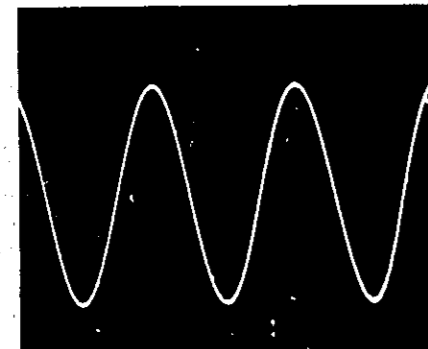
Test 2-a. Connect the oscilloscope to TP6. If the 400 kHz signal is present one of the sampling gate diodes (CR4 or CR5) is probably shorted. If the gate pulses are present one of the sampling gate diodes is probably open (negative-going pulses CR5, positive-going pulses, CR4). Proceed to test 2-b.

Test 2-b. With the oscilloscope connected to TP6, ground TP8. The signal displayed should be similar to that shown in waveform SS7-6, at about 3 volts. The frequency of the signal will be determined by the difference detected by the sampling gate (typically 200 to 400 Hz).

If the signal is present at TP6, connect the oscilloscope to U1 pin 6. The sine wave should be about the same as that shown for TP6 except that the sampling points will not be as obvious.

If the signal is present at U1 pin 6 the error amplifier and the sampling circuits are functioning properly.

If the signal is not present at U1 pin 6, but was present at TP6, check U1 and associated components. After repairs are made repeat the test and remove the ground from TP8.



Waveform SS7-6

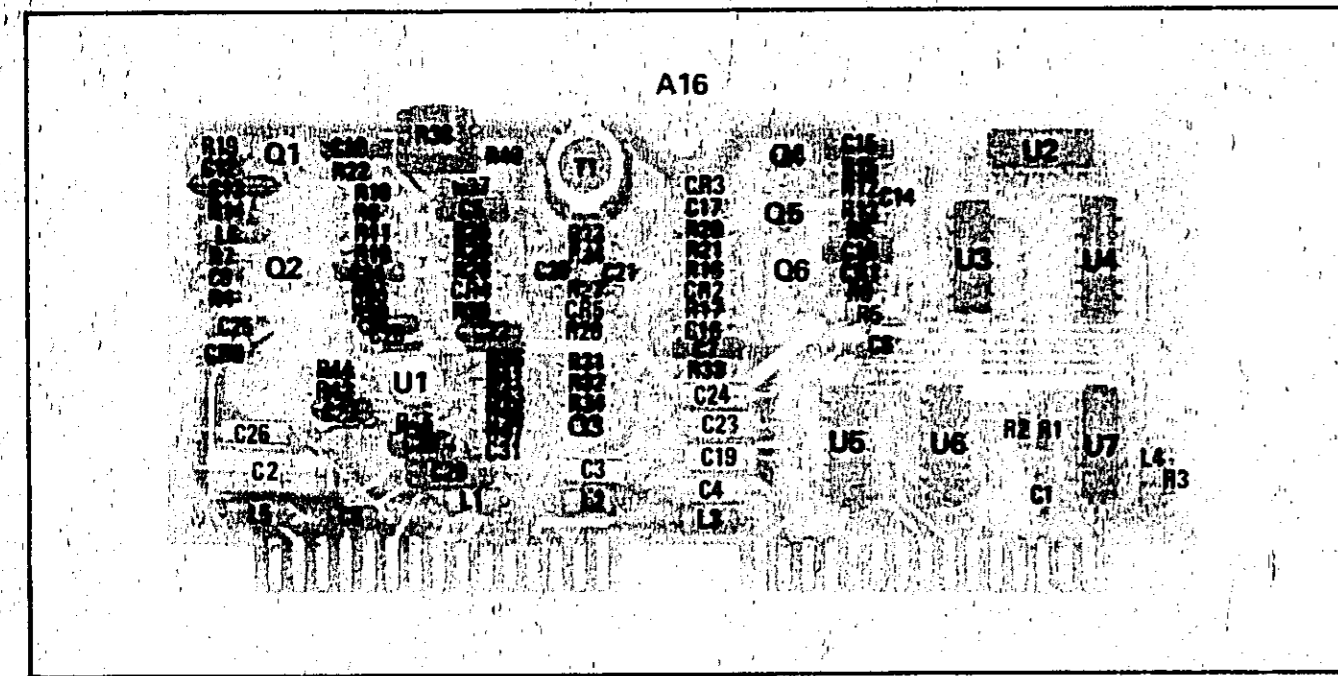


Figure 8-30. A16 N1 Phase Detector Component Locations

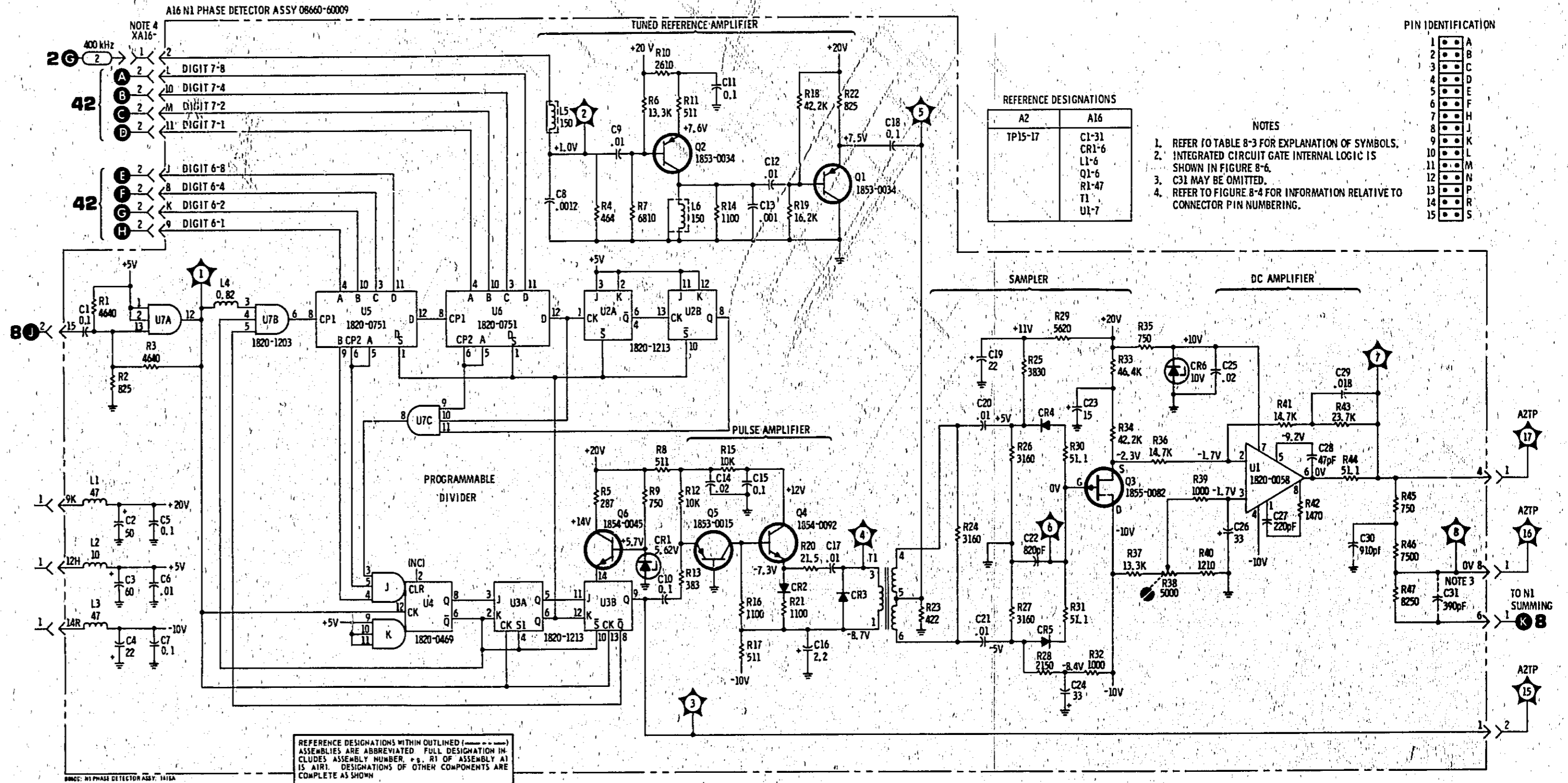


Figure 8-31. N1 Phase Detector Schematic

SERVICE SHEET 8

N1 PRETUNING AND OSCILLATOR ASSEMBLY A17

Normally, causes of malfunctions in the Model 8660C will be isolated to a circuit board or assembly as a result of performing the tests specified in the troubleshooting trees.

The A17 assembly, a part of the two-assembly N1 phase lock loop is shown schematically and described on this service sheet. The N1 Phase Detector Assembly, A16, is shown schematically and described on Service Sheet 7.

When trouble has been isolated to the A17 assembly it should be removed and reinstalled using two extender boards. This will provide easy access to test points and components.

NOTE

After making repairs in any part of the N1 loop circuits the adjustment procedures specified in Section V paragraph 5-29 should be performed to ensure proper operation of the instrument.

TEST EQUIPMENT REQUIRED (See Table 1-2)

Digital Voltmeter
Frequency Counter
Oscilloscope (with 10:1 divider probes)

N1 LOOP GENERAL INFORMATION

The purpose of the N1 loop is to generate digitally controlled RF signals in the range of 19.8 to 29.7 MHz in selectable 100 kHz increments. The voltage controlled oscillator is phase locked to a 400 kHz reference which is derived from the master oscillator in the reference section. The RF output from the N1 loop is applied to Summing Loop 1.

VOLTAGE CONTROLLED OSCILLATOR

Q3, Q5 and associated components comprise a voltage controlled oscillator. Two varactors (CR6 and CR7) are used in parallel to provide a high Q as well as the wide capacitance range required.

FET Q5 acts as a source follower in the feedback circuit; it provides high impedance at the gate and a low impedance at the source. The gain of the FET is held at less than unity to minimize the Miller effect which might reflect capacitance back into the oscillator tank circuit.

Q1 amplifies the signal from the FET and applies it to two separate amplifiers. Q10 and Q15 provide the output to drive the SL1 mixer and Q8 drives the programmable divider in the A16 assembly.

SERVICE SHEET 8 (Cont'd)

TEST PROCEDURE

Test 1-a. Connect the frequency counter to XA17-1-2 and set CF as shown in table 8-4. The counter readout should be as shown in the table. (Make allowances for counter accuracy).

If the counter does not display a frequency at, or close to, that specified, connect the oscilloscope to TP3. The oscilloscope should display a sine wave at about .3 volts peak-to-peak. If the sine wave is present at TP3 but there is no signal at XA17-1-2, check Q10, Q15 and associated components.

If there is no signal at TP3 check the bias level at TP2. The bias level should be about as shown in Table 8-4 for the front panel frequency setting. If the bias level is within the range of approximately -3.4 to -30 volts, and there is no signal at TP3 check Q1, Q3, Q5 and associated components. If the bias voltage is not within the range shown, proceed to 2-b.

If the counter displays the correct readout for some, but not all, of the front panel settings, proceed to 2-a.

PRETUNING CIRCUIT

The frequency of the voltage controlled oscillator is roughly preset by the digital to analog converter (U1, U2, Q11 through Q14 and Q16 through Q19). The digital to analog converter cannot, by itself, set the oscillator frequency precisely; it does set the frequency within the capture range of the phase lock loop. The inputs to U1 and U2 are BCD bits coded 8, 4, 2 and 1. When any of the BCD inputs are high they cause the output of the NAND gate to which they are connected to go low; the transistor connected to the NAND gate output is switched on.

When all of the BCD inputs are low Q9 is biased to provide approximately -25 volts at TP1 (Q7-e). With this dc level at TP1 the oscillator is roughly preset to 29.7 MHz.

When any one or more of the BCD inputs go high the transistor associated with it saturates and the current through Q9 is reduced. The reduction in current flow through Q9 changes the bias on Q7 and causes the voltage at TP1 to go less negative (closer to dc ground level). Finally, when the BCD input is 99, the voltage at TP1 is approximately -5.2 volts and the oscillator frequency is roughly preset to 19.8 MHz.

Q4 is a summing amplifier which combines the output of the digital to analog converter and the signal from the N1 phase detector. The summing point (Q4-e) sums the current from three sources; a current source from the +20 volts supply through R31, R32 and R33, a negative source from the digital to analog converter (TP1) and the error signal from the N1 phase detector. The voltage at the summing point is always zero volts.

When TP1 is at approximately -25 volts (all inputs low), most of the current from the +20 volts source flows through Q7; very little current flows through Q4. Under these conditions the voltage at Q4-c is about -30 volts. As the voltage at TP1 decreases (gets closer to dc ground level), less current flows through Q7, more current flows through Q4, and the Q4 collector voltage goes less negative.

SERVICE SHEET 8 (Cont'd)

CR3 through CR5, CR8 through CR15 and associated resistors are used to shape the voltage applied to the voltage controlled oscillator so that the frequency will be linear with the applied voltage. When all BCD inputs are low, Q4-c is at about -30 volts, the junction of R43 R48 is about -27.5 volts and all of the diodes in the resistive network are reverse biased. As the voltage at TP1 decreases (gets closer to -5.2 volts), current through Q4 increases and the Q4 collector voltage goes less negative. As the Q4 collector voltage decreases first CR3, then CR4 etc. are forward biased. As the diodes are forward biased resistors are added in parallel with R38 and R39 to shape the rate at which the voltage decreases at Q4-c.

Q2 and Q5 are emitter followers which couple the output of Q4 to the varactors. Q2 provides a high impedance for the output of the summing amplifier collector. R46, L7 and C14 comprise a 400 kHz trap to attenuate (15 to 20 dB) any 400 kHz ripple which may be present from the reference signal used in the phase detector. R51, L8, C20 and C21 comprise a low pass filter with a cutoff frequency of about 200 kHz.

TEST PROCEDURE

Table 8-45 represents typical voltage levels for test points 1 and 2 and exact frequencies at XA17-1-2 for given settings of CF digits six and seven when the loop is locked.

NOTE

While the voltages shown for TP2 are typical (they will vary from instrument to instrument due to differences in varactor characteristics), they are representative of normal ratio of TP2 to TP1 voltages.

Test 2-a. With the digital voltmeter connected to TP1 select CF's shown in Table 8-45. The voltage level should approximately follow those shown in Table 8-45.

If the voltage at TP1 does not vary at all, first verify the presence of input digital information to the NAND gates, then check Q7, Q9 and associated components.

If the voltage at TP1 does not vary as shown, or some CF (or CF's) do not produce a change, first verify the presence of the input to the NAND gate/transistor combination affected, then check the NAND gate and the transistor.

If the voltages at TP1 are approximately as shown in Table 8-45 proceed to Test 2-b.

Test 2-b. Connect the digital voltmeter to TP2 and the counter to XA17-1-2. If the voltage at TP2 does not change about as shown in Table 8-45 for specified CF's, or does not change at all, check Q2, Q4, Q6 and associated components.

If the voltage at TP2 varies approximately as shown in Table 8-45, but the frequency at XA17-12 does not step (or there is no RF output), refer to Test Procedure 1 and check the oscillator circuits.

SERVICE SHEET 8 (Cont'd)

If the voltage at TP2 varies approximately as shown in Table 8-45 and the frequency readout of the counter approximately follows the table (± 20 -30 kHz) check Q8 and associated components.

Table 8-45. N1 Oscillator Test Point Measurements

Center Frequency MHz	Frequency At TP3 kHz	Voltage at TP1	Voltage at TP2
0000.100000	29600.000	-25.2v	-29.2v
0000.100000	29600.000	-25.0v	-28.7v
0000.200000	29500.000	-24.8v	-28.2v
0000.300000	29400.000	-24.6v	-27.7v
0000.400000	29300.000	-24.4v	-27.1v
0000.500000	29200.000	-24.2v	-26.6v
0000.600000	29100.000	-24.0v	-26.2v
0000.700000	29000.000	-23.8v	-25.7v
0000.800000	28900.000	-23.6v	-25.2v
0000.900000	28800.000	-23.4v	-24.7v
0001.000000	28700.000	-23.2v	-24.3v
0002.000000	27700.000	-21.2v	-20.2v
0003.000000	26700.000	-19.2v	-16.6v
0004.000000	25700.000	-17.2v	-13.6v
0005.000000	24700.000	-15.2v	-11.9v
0006.000000	23700.000	-13.2v	-8.9v
0007.000000	22700.000	-11.2v	-7.1v
0008.000000	21700.000	-9.2v	-5.6v
0009.000000	20700.000	-7.1v	-4.3v
0009.900000	19800.000	-5.3v	-3.4v

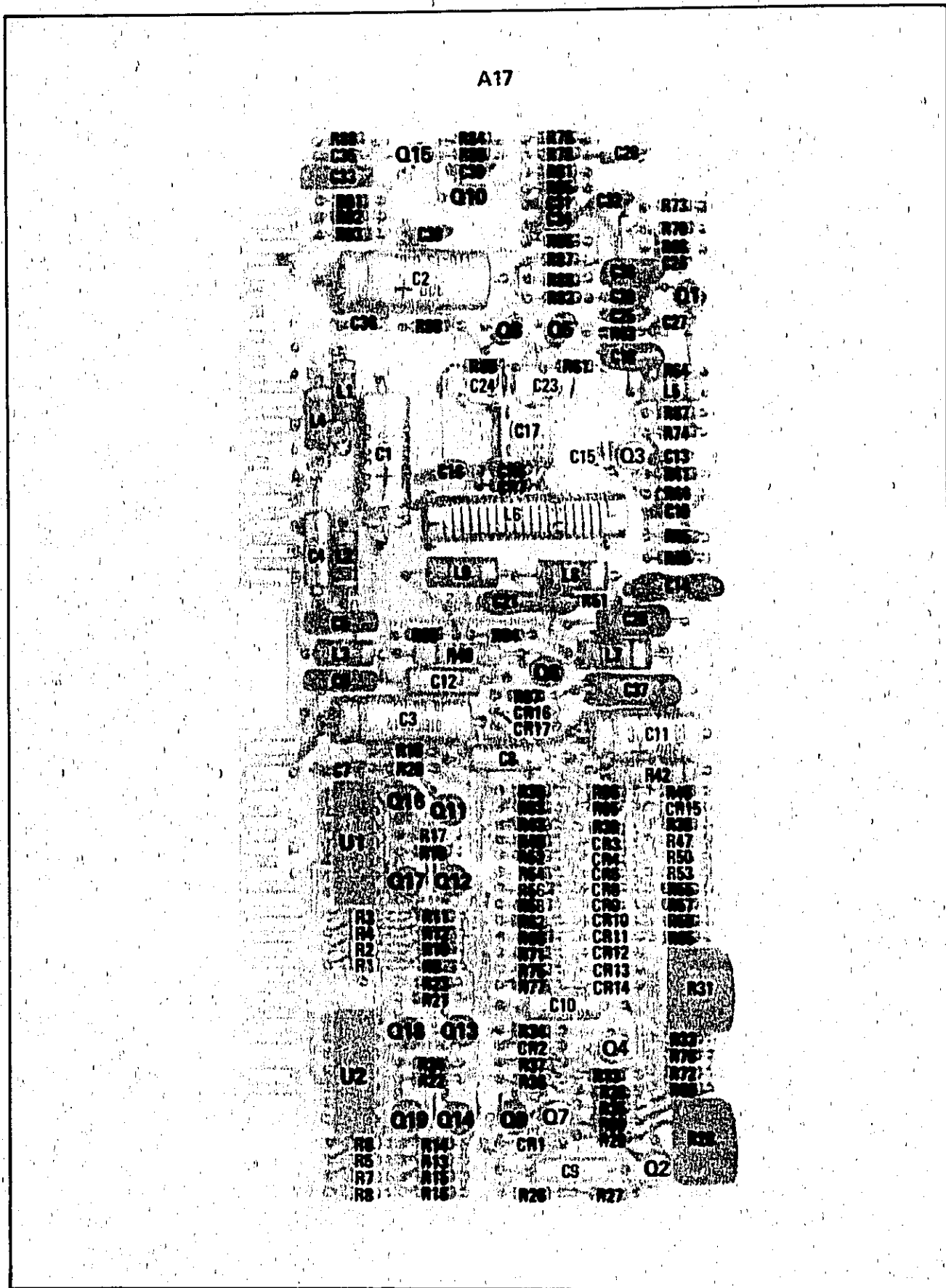


Figure 8-32. A17 N1 VCO Component Locations

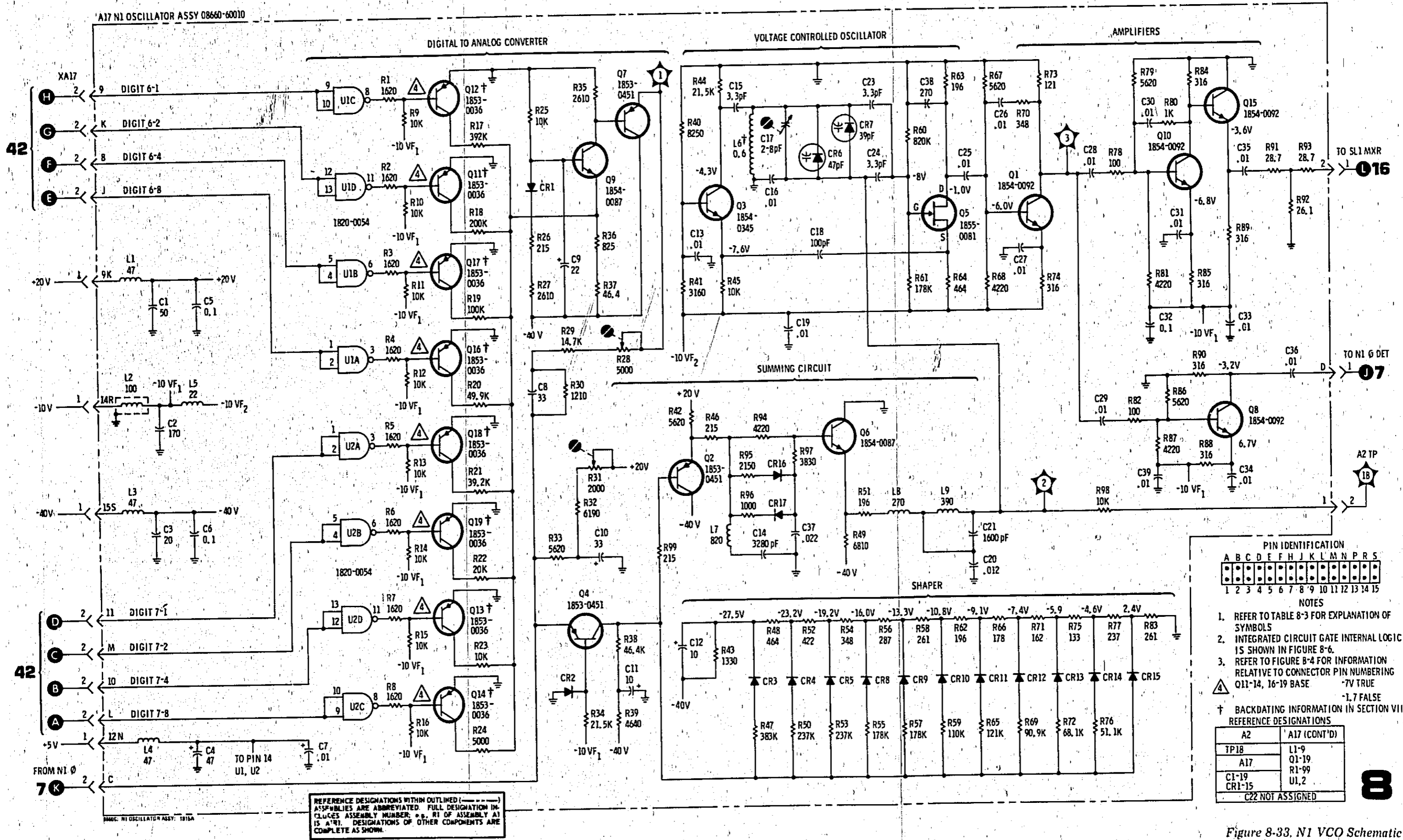


Figure 8-33, N1 VCO Schematic

SERVICE SHEET 9

N2 PHASE DETECTOR ASSEMBLY A14

Normally, causes of malfunctions in the Model 8660C will be isolated to a circuit board or assembly as a result of performing the tests specified in the troubleshooting trees.

The A14 assembly, a part of the two-assembly N2 phase lock loop is shown schematically and described on this Service Sheet. The N2 Oscillator assembly, A13, is shown schematically and described on Service Sheet 10.

When trouble has been isolated to the A14 assembly it should be removed and reinstalled using two extender boards. This will provide easy access to test points and components.

NOTE

After making repairs in any part of the N2 loop circuits the adjustment procedures specified in Section V paragraph 5-30 should be performed to ensure proper operation of the instrument.

TEST EQUIPMENT REQUIRED (See Table 1-2)

- Oscilloscope (with 10:1 divider probes)
Digital Voltmeter
Frequency Counter

N2 LOOP GENERAL INFORMATION

The purpose of the N2 loop is to generate digitally controlled RF signals in the range of 19.80 to 29.79 MHz in selectable 10 kHz increments. The voltage controlled oscillator is phase locked to a 100 kHz reference which is derived from the master oscillator in the reference section. The RF output from the N2 loop is applied to Summing Loop 2.

PROGRAMMABLE DIVIDER CIRCUIT

All of the integrated circuits in the A14 assembly are used to count down the input from the N2 voltage controlled oscillator.

When there is no BCD input to U5, U6 and U7 (all inputs low) the input from the oscillator will be 29.79 MHz; the programmable divider will divide by 2979 to provide a 10 kHz output. U5, U6 and U7 may be preset by CF digits 3, 4 and 5 and programmed to vary between counts of 1980 and 2979. Operation of the circuit is as follows:

Assume that initially there are no BCD inputs to U5, U6 and U7 (divide-by-ten decades) and they have all been preset to zero.

At the start of every count cycle, regardless of the BCD input, U1A pin 6 (Q) and U1B pin 8 (Q) are both low; U3 pin 6 (Q), U4A pin 6 (Q) and U4B pin 8 (Q) are all high.

NAND gate U8C functions as a Schmitt trigger and provides pulses derived from the N2 voltage controlled oscillator output to clock U7 when AND gate U2B is enabled. U7 provides a divide-by-ten output to clock U6 and also provides A and C (binary 1 and 4) outputs to J inputs of JK flip-flop U3. The A and C outputs have no effect on U3 until the count down reaches 2975.

U6 provides a divide-by-ten output to clock U5 and also provides A, B and C (binary 1, 2 and 4) outputs to AND gates U2A and U2C. The A, B and C outputs have no effect on the circuit until the count down of 2970 is reached.

U5 provides a divide-by-ten output to clock U1A and also provides A and D outputs to NAND gate U8A. The A and D (binary 1 and 8) outputs have no effect on the circuit until the count down has reached 2900.

The D output of U5 (pin 12) goes low on the 1000th pulse input to U7 pin 8 and clocks U1A. One thousand input cycles later U1A is again clocked and the negative-going Q output

SERVICE SHEET 9 (Cont'd)

of U1A (pin 6) clocks U1B. When U1B Q goes high it provides a high to AND gate U2A. The count down has reached 2000.

When the count down reaches 2900, U5 A and D outputs are high. NAND gate U8A pin 3 goes low and NAND gate U8B pin 6 goes high.

When the count down reaches 2970, U6 A, B and C outputs are high. The B and C outputs are applied to AND gate U2C pins 10 and 11, and since U2C pin 9 has been high since the count of 2900, U2C pin 8 goes high. The U6A output is applied to AND gate U2A, and since the other two inputs to U2A are high, U2A pin 12 goes high and is applied to U3 J input pin 3.

When the count down reaches 2975, U7 A and C high outputs are applied to U3 J input pins 4 and 5. Since U3 J pin 3 is now held high, the next input pulse from U8C will clock U3. Count coincidence at 2975 cycles has been achieved.

When the count down reaches 2976, U3 is clocked and the U3 Q output goes low. When U3 Q goes low, AND gate U2B is no longer enabled; the count, as far as U7, U6, U5 and U1 are concerned is ended. When U3 Q goes low it also sets U4A and U4B; the Q outputs go low and the Q outputs go high. When the Q output of U4B goes low it presets U7, U6, U5 and U1. When U7, U6, U5 and U1 are preset the J inputs to U3 are inhibited since the count is no longer at the coincident count of 2975.

When the U4B Q output goes high the leading edge of the pulse is used to generate the sampler pulse. The first pulse to the sampling phase detector is initiated by the 2976th input cycle. Since three more cycles are required to restart the count cycle, following sampler pulses will be 2979 cycles apart.

When the count down reaches 2977, U3 is again clocked and since the K input is high and the J input is low, Q will go high. This Q high is applied to the K input of U4A and to pin 4 of AND gate U2B. U2B will not be enabled because U4B Q is holding AND gate U2B pin 5 low.

When the count down reaches 2978 U4A is clocked because the K input is high. U4A Q goes high and is applied to the K input of U4B.

On the 2979th input cycle, U4B is clocked and the Q output goes high. When U4B Q goes high the preset pulse is ended and AND gate U2B is enabled. The next input cycle will initiate the count cycle.

When there is a preset input programmed into U7, U6 and U5, the terminal count is still 2979. However, the count down starts at the number programmed into the BCD inputs. As an example, if the binary input to U7, U6 and U5 is 999, the first input cycle would cause the same digital circuit changes that the 1000th input cycle caused in the discussion above (U1A would be clocked for the first time). The frequency division would be 2979 minus 999, equal to division by 1980. The phase lock loop operation would result in an input frequency to the programmable divider of 19.80 MHz. When the 19.80 MHz is divided by 1980 the divider output would again be 10 kHz.

The output from U4B is always 10 kHz when the oscillator is phase locked.

SERVICE SHEET 9 (Cont'd)

TEST PROCEDURE

Composite Waveform SS9-1 illustrates the proper timing relationship between the 100 kHz reference input, the pulse output from the pulse generator and the sampling point on the 100 kHz reference signal when the loop is phase locked.

NOTE

Center frequency is initially set to zero.

Test 1-a. Use the counter and the oscilloscope to check for a 100,000 kHz sine wave at approximately 5 volts p/p at TP5. The display should be similar to that shown in the second trace from the top in composite waveform SS9-1.

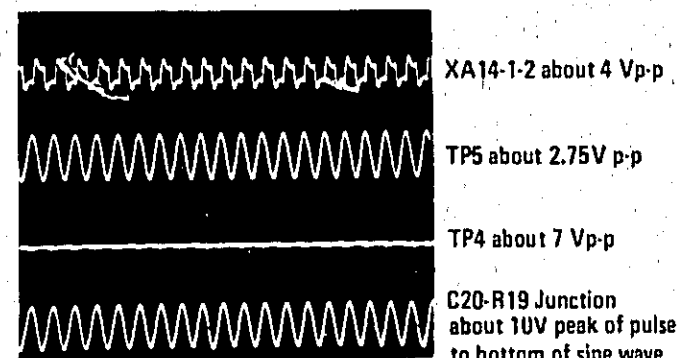
If the correct signal is present, proceed to test 1-b.

If the counter readout is 100,000 kHz but the sine wave is distorted, check Q1, Q2 and associated components.

If the signal is not present, connect the counter and the oscilloscope to XA14-1-2. The counter readout should be 100,000 kHz and the oscilloscope display should be similar to that shown in the top trace of composite waveform SS9-1.

If the correct signal is observed but was not observed at TP5, check Q1, Q2 and associated components.

If the signal is not present at XA14-1-2 check interconnections to the reference loop and, if necessary, the reference loop.



Composite Waveform SS9-1

Test 1-b. Connect the oscilloscope and the counter to TP4. The counter readout should be 10,000 kHz and the oscilloscope should display positive-going pulses as shown in composite waveform SS9-1 at about 7 volts amplitude.

SERVICE SHEET 9 (Cont'd)

If the signal is not present proceed to test 1-c. If the signal is present, connect the oscilloscope to the junction of R19 and C21. The oscilloscope display should be similar to that shown in the lower trace of composite waveform SS9-1.

If the programmable divider and the pulse generator are working properly but the loop is not phase locked, the oscilloscope may still show the signals, but the relationship between the pulses and the sine wave will not be the same as shown in composite waveform SS9-1. If the voltage controlled oscillator and the summing circuits in the A13 assembly are known to be functioning properly proceed to test procedure 1-c.

Test 1-c. If the pulses are not present at TP5, and the counter counts randomly or not at all, connect the oscilloscope to TP3. The oscilloscope should display pulses at approximately 10 kHz and about 3.5 v p/p.

If the pulses are present at TP3, but were not present at TP4, check Q6, Q7 and associated components.

If the pulses are not present at TP3 proceed to test 1-d.

Test 1-d. If the pulse is not present at TP3 connect the oscilloscope to U2B pin 6. The waveform should be similar to that shown in the top trace of composite waveform SS9-2. If the signal is as shown proceed to test 1-e.

If there is no signal present at AND gate U2B pin 6 connect the oscilloscope to TP1. The waveform should be similar to that shown in the center trace of composite waveform SS9-2. If the signal is now present, use the digital voltmeter to check the voltage at AND gate U2B pins 4 and 5. The digital voltmeter should indicate about +3.7 volts; if it does, U2B is defective.

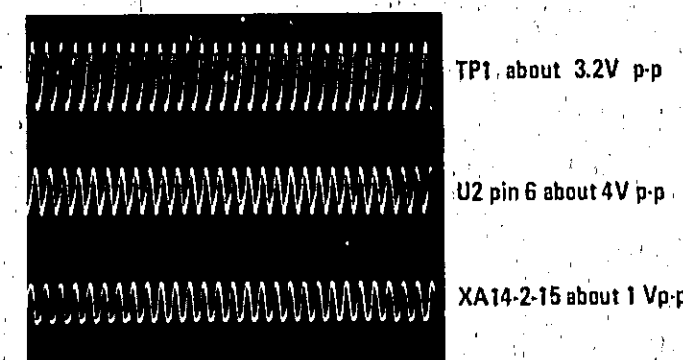
If the voltages are not present at AND gate U2B pins 4 and 5, ground U3B pin 2. If the voltages now appear at AND gate U2B pins 4 and 5 and the signal appears at U2B pin 6, U2B is functioning properly; the trouble is probably in the gating circuits to U3.

If the voltage is present at AND gate U2B pin 4 with U3 pin 2 grounded, but is not present at U2B pin 5, U4 is probably defective.

If the voltages are not present at AND gate U2B pins 4 or 5 with U3 pin 2 grounded, U3 is probably defective.

If the signal is not present at TP1, use the oscilloscope to check the voltage controlled oscillator input at XA14-2-15. The display should be similar to the lower trace in composite waveform SS9-2. If the signal is present NAND gate U8C is probably defective. If the signal is not present check interconnections to the A13 assembly and, if necessary, the A13 assembly.

SERVICE SHEET 9 (Cont'd)



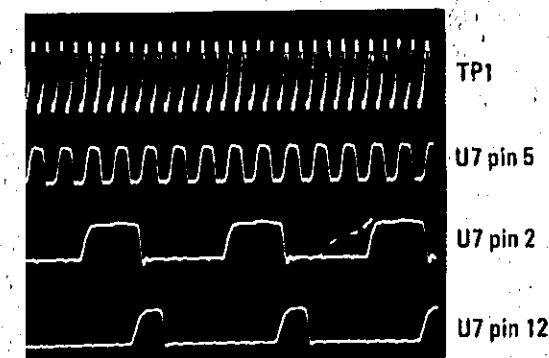
Composite Waveform SS9-2

Test 1-e. It is assumed in this test that the signal input is present at U7 pin 8 only because U3 pin 2 is grounded. Composite waveforms SS9-3 through SS9-7 illustrate the correct waveforms for the integrated circuits in the programmable divider loop. All waveforms are about 4.5 volts in amplitude. Follow the numerical sequence of the waveforms; when an IC output is missing the trouble is found. Replace the defective component, remove the ground from U3 pin 2, and repeat test 1-b.

Composite waveform SS9-8 illustrates the proper waveforms for U3 under normal operating conditions.

NOTE

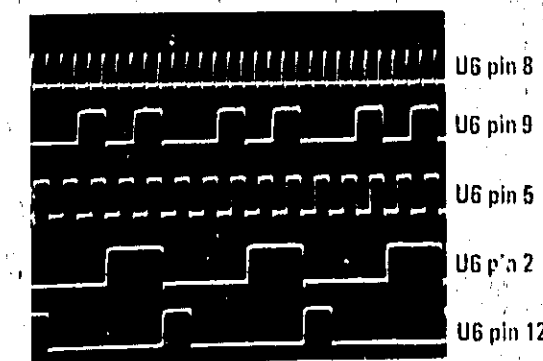
Composite waveforms SS9-7 and SS9-8 waveform pictures were taken with the oscilloscope being triggered from TP3 and the oscilloscope sweep magnified X10.



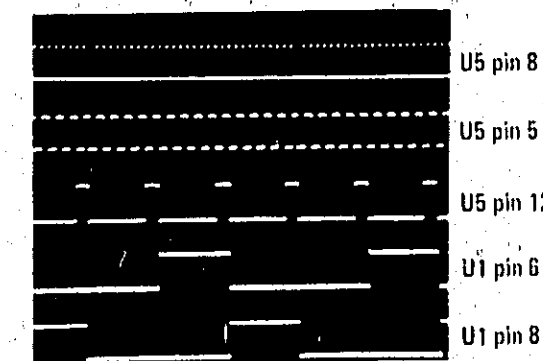
Composite Waveform SS9-3

Service

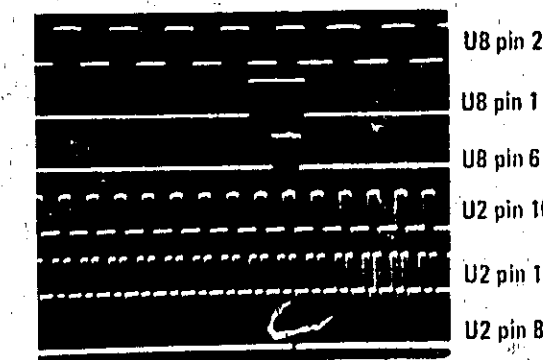
SERVICE SHEET 9 (Cont'd)



Composite Waveform SS9-4



Composite Waveform SS9-5



Composite Waveform SS9-6

Continued on Page 8-110

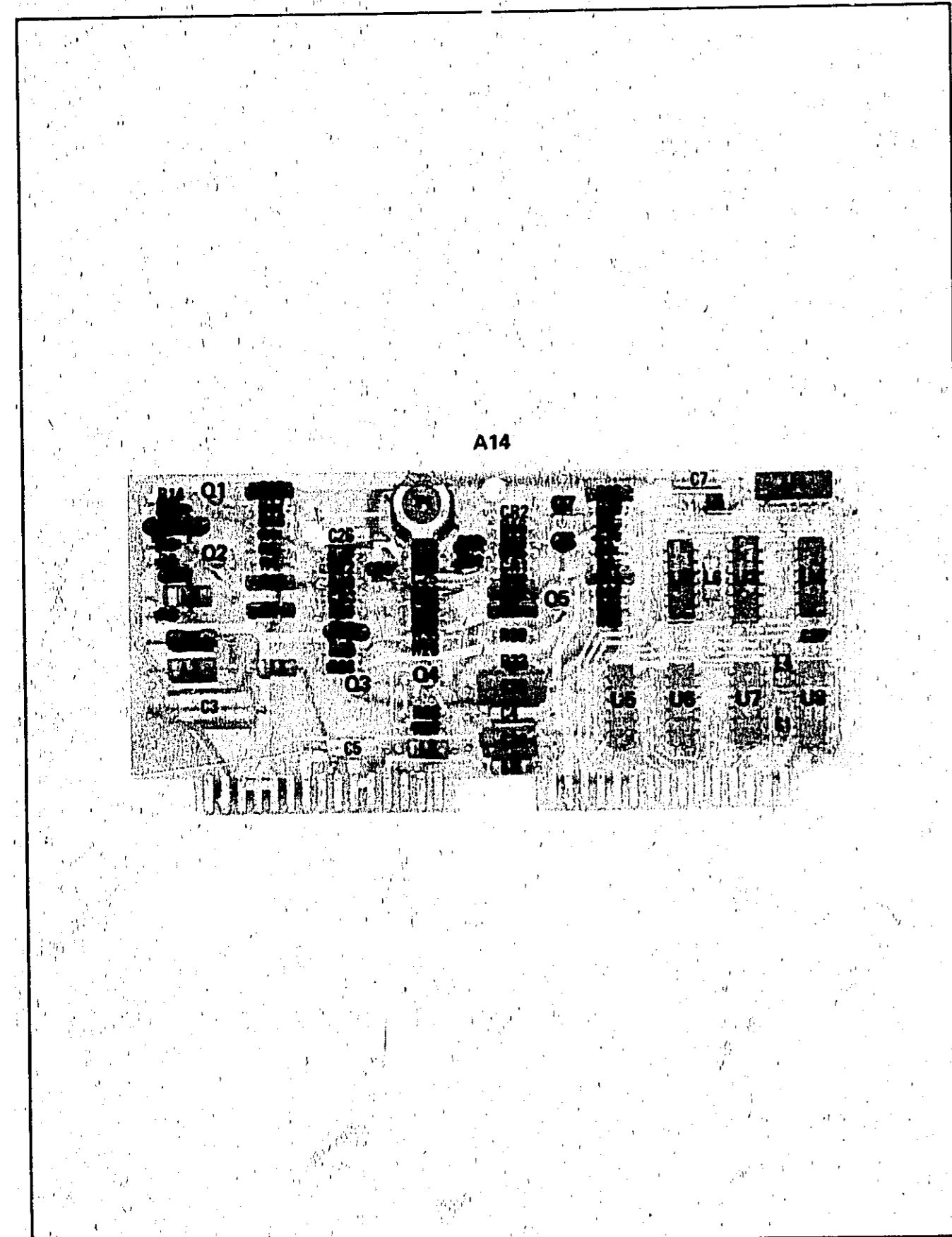


Figure 8-34. A14 N2 Phase Detector Component Locations

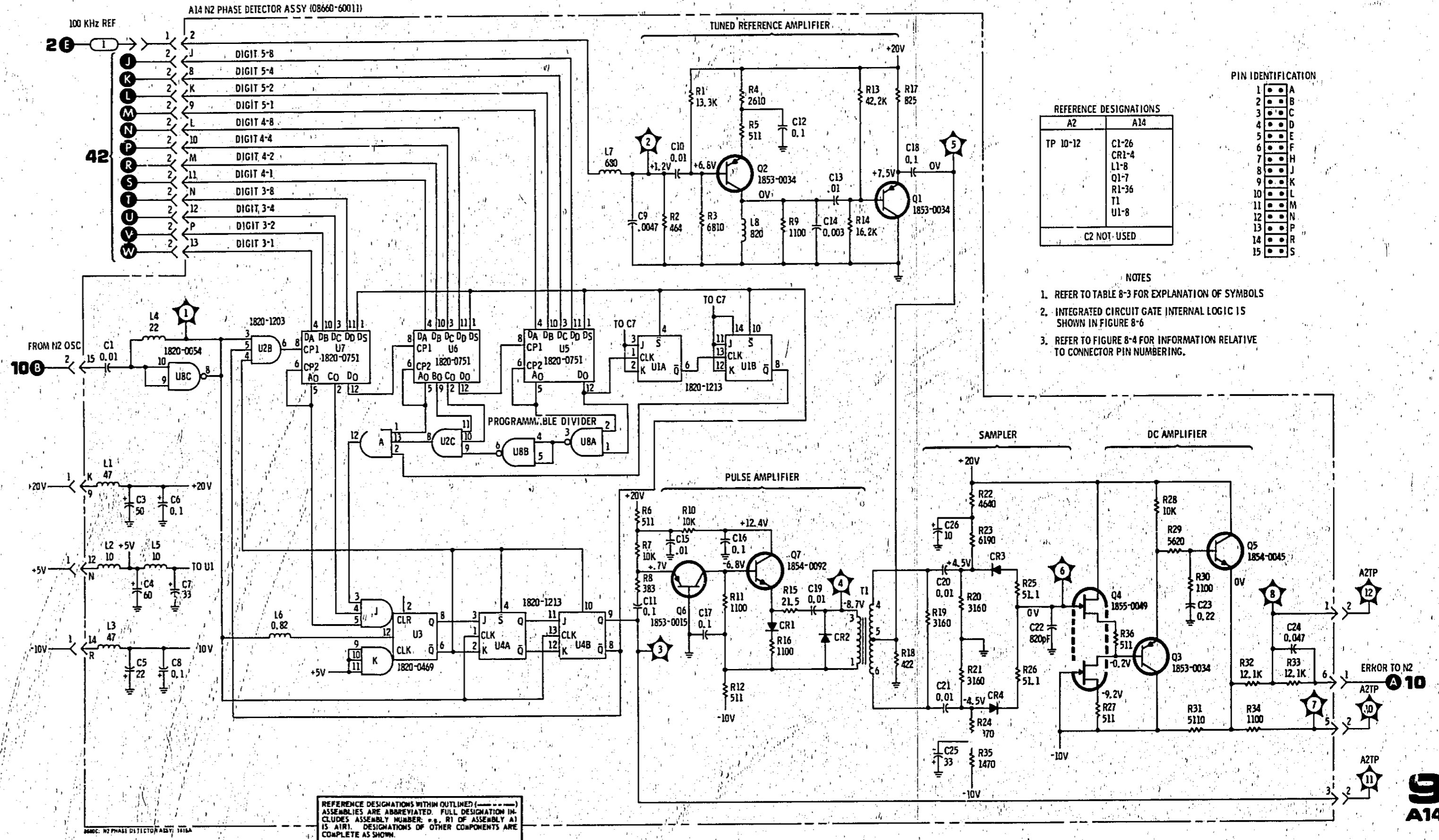
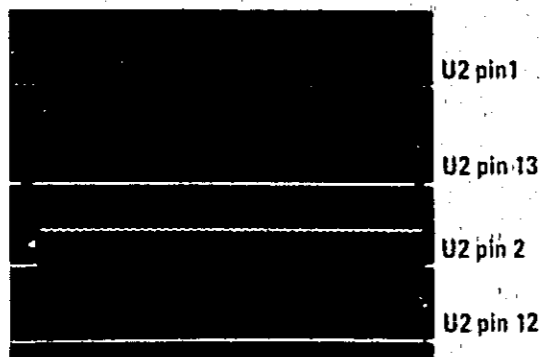
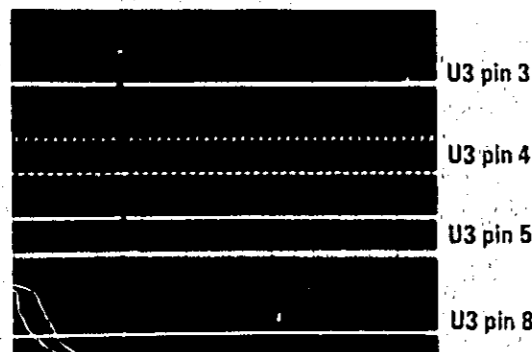


Figure 8-35. N2 Phase Detector Schematic

SERVICE SHEET 9 (Cont'd)



Composite Waveform SS9-7



Composite Waveform SS9-8

SAMPLING PHASE DETECTOR

The positive-going output from U4B pin 9 is used to generate the pulse required to open the sampler gate. Common base amplifier Q6 and emitter follower Q7 amplifies and couples the pulse to T1. CR1 and CR2 are used to minimize transformer flyback action. CR2 also bypasses the negative-going pulse around the transformer primary to ensure that only the positive-going pulse is coupled to the transformer secondary.

A 100 kHz signal from the reference loop is applied to the secondary center tap of T1. L7 and C9 (along with C3 in the reference loop A4A1 assembly) comprise a low pass filter; it has an impedance of about 450 ohms and a cutoff frequency of about 150 kHz. The TTL input from the reference loop is reshaped into a sine wave by the low pass filter. L8 and C14 comprise a tuned circuit which bypasses unwanted high frequency signals and further filters the sine wave.

Sampler diodes CR3 and CR4 are normally reverse biased. When the sampling pulse appears across the secondary of T1 it is coupled through C20 and C21 to forward bias CR3 and CR4. Since the gate pulses are equal in amplitude but opposite in polarity, they will cancel at TP6.

While CR3 and CR4 are forward biased the sampling gate is open and the 100 kHz reference signal is sampled.

SERVICE SHEET 9 (Cont'd)

This type of sampling phase detector may be phase locked at virtually any point on the sine wave curve. Ideally, the zero volt crossover point of the sine wave should be used to improve the lock and hold in capability of the loop.

If the divided down output of the voltage controlled oscillator in the A13 assembly (10 kHz pulses) is not phase locked to the 100 kHz reference signal an ac signal is developed at TP6. The polarity of the signal at any given time depends on the polarity of the 100 kHz sine wave at the time the last sample was taken. The amplitude of the signal at any given time depends on what portion of the sine wave the last sample was taken from. Each time CR3 and CR4 are forward biased the signal derived from the 100 kHz reference signal at T1 terminals 4 and 6 are coupled through the sampling gate to control the charge on C22.

When the sampling gate pulse ends, CR3 and CR4 are again reverse biased and the sampling gate is closed. Since Q4 is a high input impedance device, the charge will remain in C22 until the next sampling pulse. The error signal from Q4 is applied to the summing amplifier in the A13 assembly through emitter followers Q3 and Q5.

Test Point 8 may be grounded to open the phase lock loop. Since the emitter of A13Q12 in the A13 assembly is also exactly at dc ground level, grounding this test point will not affect the pretuning circuit. With the loop open both the pretuning and the error signal may be checked.

TEST PROCEDURE 2

Test 2-a. Connect the oscilloscope to TP6. If the 100 kHz reference signal is present one of the sampling gate diodes (CR3 or CR4) is probably shorted. If the gate pulses are present one of the sampling gate diodes is probably open (Negative-going pulses CR4 - positive going pulses CR3). Proceed to test 2-b.

Test 2-b. With the oscilloscope connected to TP6, ground TP8. The signal displayed should be similar to that shown in Composite Waveform SS9-9, at about 4 volts. The frequency of the signal will be determined by the frequency difference detected by the sampling gate (typically 200 to 400 Hz).

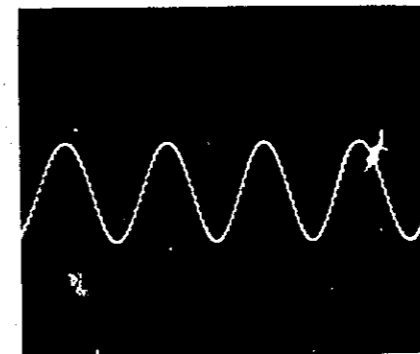
If the signal is present at TP6, connect the oscilloscope to Q5-e. The sine wave should be about the same as that shown for TP6 except that the sampling points will not be as obvious.

If the signal is present at Q5-e the error amplifier and the sampling circuits are functioning properly.

If the signal is not present at Q5-e and was present at TP6, check Q3, Q4, Q5 and associated components. After repairs are made repeat the test and remove the ground from TP8.

NOTE

Operation of the circuit shown on Service Sheet 9-a is essentially the same as that shown on Service Sheet 9. Reference designations differ. The count down is always 3000.



Waveform SS9-9

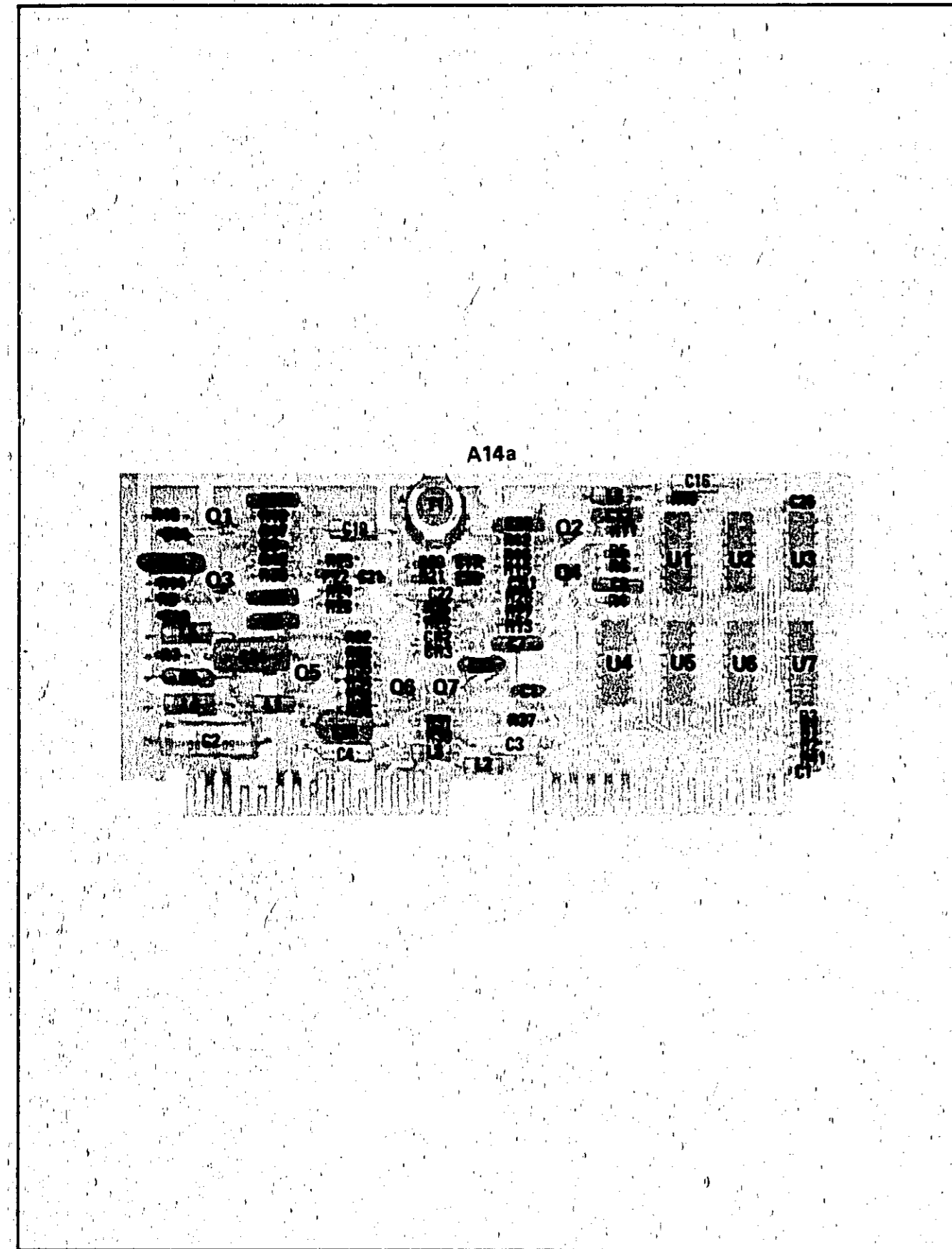


Figure 8-36. A14a N2a Phase Detector Component Locations

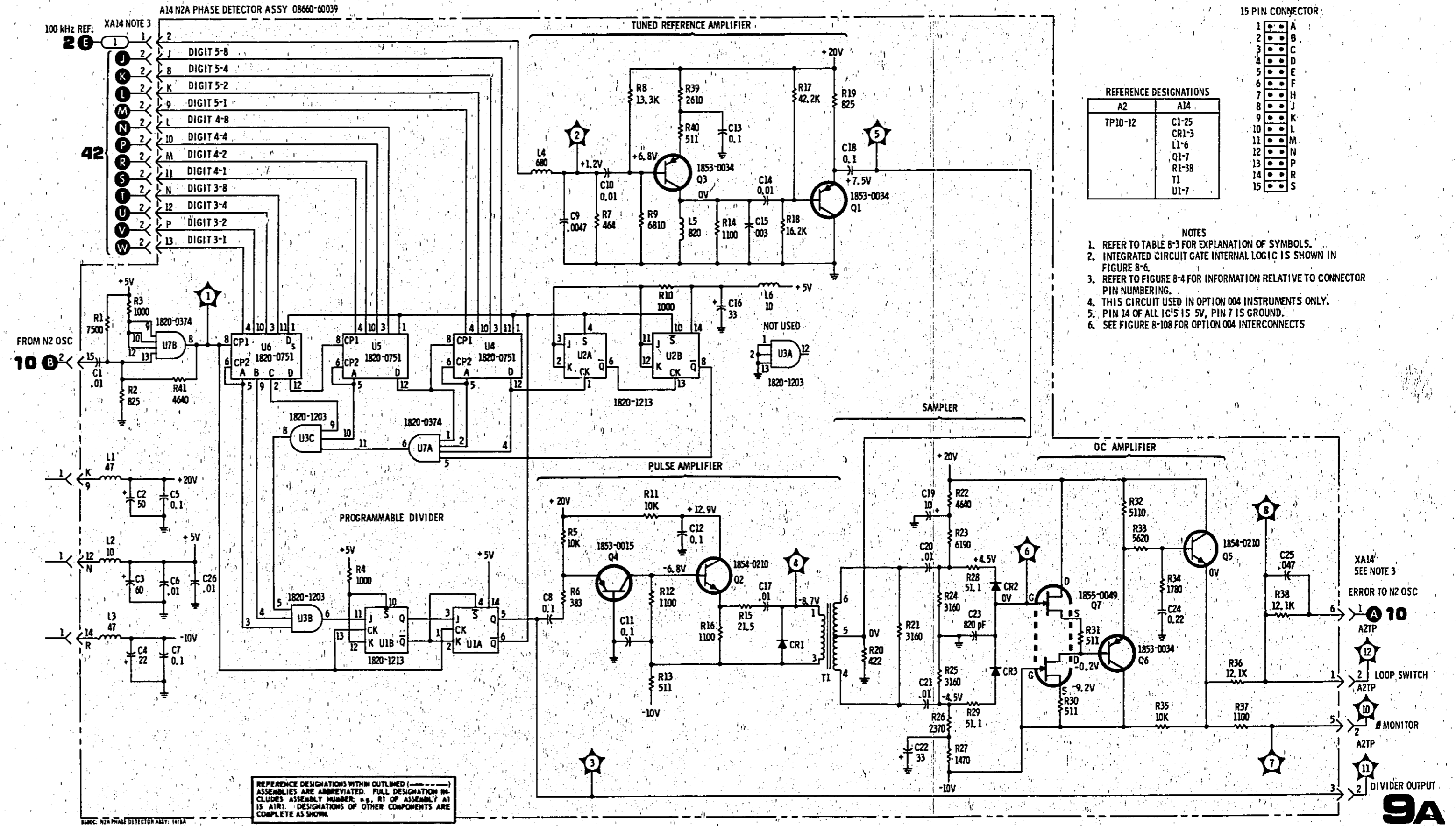


Figure 8-37. N2a Phase Detector Schematic

SERVICE SHEET 10

N2 OSCILLATOR ASSEMBLY A13

Normally, causes of malfunctions in the Model 8660C will be isolated to a circuit board or assembly as a result of performing the tests specified in the troubleshooting trees.

The A13 assembly, a part of the two-assembly N2 phase lock loop is shown schematically and described on this service sheet. The N2 Phase Detector assembly, A14, is shown schematically and described on Service Sheet 9.

When trouble has been isolated to the A13 assembly it should be removed and reinstalled using two extender boards. This will provide easy access to test points and components.

NOTE

After making repairs to any part of the N2 loop circuits the adjustment procedures specified in Section V paragraph 5-30 should be performed to ensure proper operation of the instrument.

TEST EQUIPMENT REQUIRED (See Table 1-2)

Digital Voltmeter
Frequency Counter

N2 LOOP GENERAL INFORMATION

The purpose of the N2 loop is to generate digitally controlled RF signals in the range of 19.80 to 29.79 MHz in selectable 10 kHz increments. The voltage controlled oscillator is phase locked to a 100 kHz reference which is derived from the master oscillator in the reference section. The RF output of the N2 loop is applied to Summing Loop 2.

VOLTAGE CONTROLLED OSCILLATOR

Varactors CR8 and CR9, transistors Q2 and Q9 and associated components comprise a voltage controlled oscillator. Two varactors are used in parallel to provide high Q as well as the wide capacitance range required. C18 provides isolation for the dc levels required to bias the varactors. C17 provides the feedback required to sustain oscillation. The resonant tank circuit is coupled to Q9 by means of capacitive divider C22 and C23. The FET acts as a source follower in the feedback circuit; it provides a high impedance at the gate and a low impedance at the source. The gain of the FET amplifier for the output signal is less than one; this minimizes the Miller effect which might otherwise reflect capacitance back into the oscillator tank circuit.

Q1 amplifies the signal and applies it to U1A which functions as a Schmitt trigger. U1D inverts the output from U1A and applies it to the programmable divider in the A14 assembly. U1C inverts the output from U1A and applies it to the divide-by-one hundred circuit in Summing Loop 2.

TEST PROCEDURE

NOTE

Do not use long coax leads from the counter to TP3. The capacitive loading may attenuate the signal below a useable level.

SERVICE SHEET 10 (Cont'd)

Test 1-a. Connect the counter to TP3 and set Center Frequencies as shown in Table 8-46. The counter readout should be as shown in the table. (Make allowances for counter accuracy.)

NOTE

If the frequency readouts listed in Table 8-46 are not approximately as shown check the voltage levels shown for TP2 in Table 8-46. If the voltage levels are incorrect proceed to test procedure

If the signal is present use the oscilloscope to check the outputs at XA13-1 pins 4 and 6 with center frequency set to zero. The signal at XA13-1-4 should be about 0.8 volt p/p and the signal at XA13-1-6 should be about 0.3 volt.

If the signal is present at TP3 but is not present at XA13-1 pins 4 and 6 check U1.

Test 1-b. If the signal is not present at TP3 use the oscilloscope to check the signal at the collector of Q1. The signal should be about 1 volt in amplitude.

If the signal is not present at Q1-c use the oscilloscope to check the signal at the Q1 base. If the signal is now present (about 0.3 volt), Q1 is probably defective.

If the signal is not present at Q1 base, check Q2, Q9 and associated components.

PRETUNING CIRCUIT

The frequency of the voltage controlled oscillator is roughly preset by the digital to analog converter (U2, U3, transistors connected to the outputs of the NAND gates and associated components). The digital to analog converter cannot, by itself, set the oscillator frequency precisely; it does set the frequency within the capture range of the loop. The inputs to U2 and U3 are BCD bits coded 8, 4, 2 and 1. When any of the BCD inputs are high they cause the output of the NAND gate with which they are associated to go low; the transistor associated with the NAND gate is switched on.

When all of the BCD inputs are low Q4 is biased to provide approximately -25 volts at TP1 (Q3-e). With this dc level at TP1 the oscillator is roughly preset to 29.79 MHz.

When any one or more of the BCD inputs go high the transistor associated with it saturates and draws current through R34 and R35. The change in bias for Q4 causes the voltage at TP1 to go less negative (closer to ground level). Finally when the binary input is 99, the voltage at TP1 is approximately -5.2 volts and the oscillator frequency is roughly preset to 19.80 MHz.

Q12 is a summing amplifier which combines the output of the digital to analog converter and the signal from the N2 phase detector. The summing point (Q12-e) sums the current from three sources; a current source from the +20 volt supply through R28, R30 and R37, a negative source from the digital to analog converter (TP1) and the signal from the N2 phase detector. The voltage at the summing point is always zero volts.

When TP1 is at approximately -25 volts (no BCD input), most of the current from the +20 volt supply flows through Q4 and Q3; very little flows through Q12. Under these conditions the voltage at Q12-c is about -30 volts. As the voltage at TP1 decreases (gets closer to ground level) less current flows through Q4 and Q3, more current flows through Q12, and the Q12 collector voltage decreases.

N2a Phase Detector
SERVICE SHEET 9A

Service

Model 8660C

SERVICE SHEET 10 (Cont'd)

CR4 through CR7, CR11 through CR16 and associated resistors are used to shape the voltage applied to the varactors in the voltage controlled oscillator circuit so that the frequency will be linear with the voltage change. The voltage at the junction of R42 and R47 is about -27.5 volts. When there is no BCD input (Q12-c is about -30 volts) all of the diodes in the shaper are reverse biased. As the voltage at TP1 decreases (gets closer to -5.2 volts) current through Q12 increases and the Q12 collector voltage also decreases. As the Q12-c voltage decreases first CR4, then CR5, etc. are forward biased. As the diodes are forward biased resistors are added in parallel with R31 and R32 to shape the voltage curve to the varactors.

Q11 and Q10 are emitter followers which couple the output of Q12 to the varactors. Q11 provides a high impedance for the output of the summing amplifier, Q12.

TEST PROCEDURE

Test 2-a. Use the digital voltmeter to check the voltages at TP1 and TP2. These dc levels should be about as shown in Table 8-46 for the center frequencies shown.

If the voltages at TP1 are about right, but those at TP2 are not, check Q12, Q11, Q10 and associated components.

If the voltages at TP1 are not approximately as shown in Table 8-46, check the components in the digital to analog converter.

NOTE

Also check the BCD input lines for the correct levels. With CF digits 4 and 5 set to a zero all eight input lines should be low. With CF digits 4 and 5 set to a 1 inputs at XA13-2 pins 11 and 9 should be high, etc.

Table 8-46. N2 Frequency Versus Voltage Chart

Center Frequency	Counter Readout	TP1 Volts	TP2 Volts
00000 Hz	29.790000 MHz	-25	-31
11100 Hz	28.680000 MHz	-23	-26
22200 Hz	27.570000 MHz	-21	-21
33300 Hz	26.460000 MHz	-18.5	-16.8
44400 Hz	25.350000 MHz	-16.4	-13.4
55500 Hz	24.240000 MHz	-14.2	-10.6
66600 Hz	23.130000 MHz	-12	-8.3
77700 Hz	22.020000 MHz	-9.8	-6.4
88800 Hz	20.910000 MHz	-7.7	-4.8
99900 Hz	19.800000 MHz	-5.4	-3.6

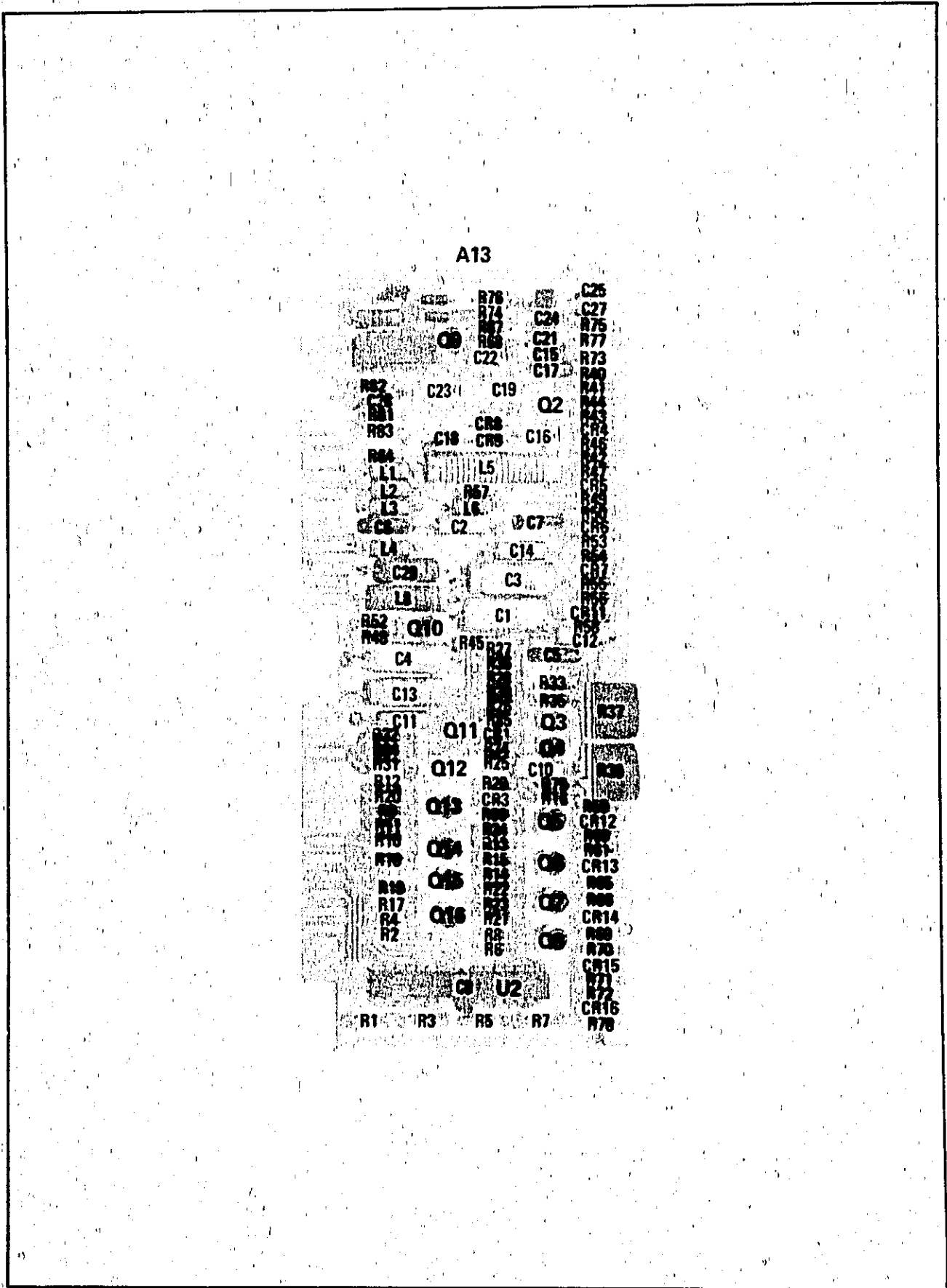
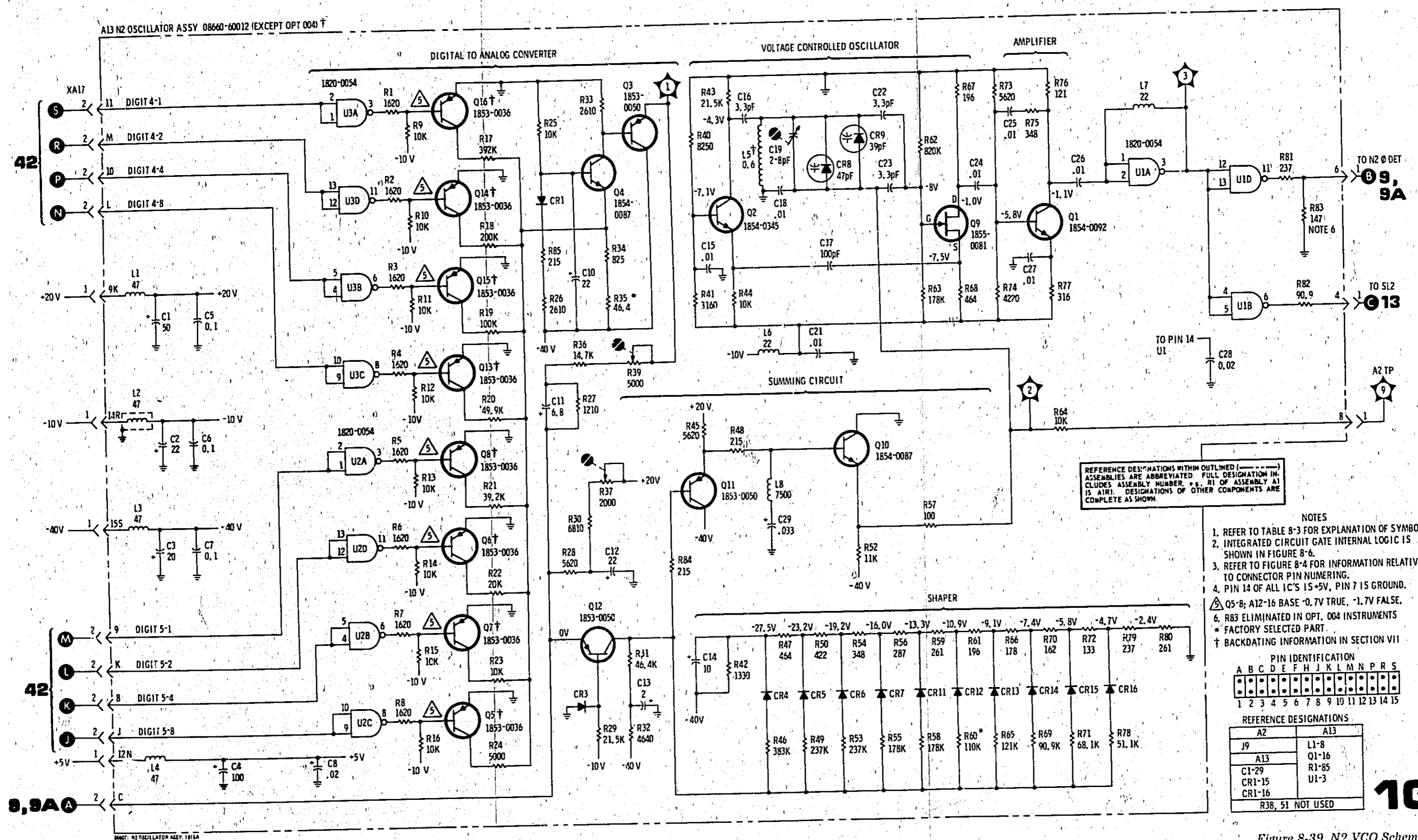


Figure 8-38. A13 N2 VCO Component Locations



REFERENCE DESIGNATIONS WITHIN OUTLINED (---) ASSEMBLIES ARE ABBREVIATED. FULL DESIGNATION INCLUDES ASSEMBLY NUMBER, P.C. #1 OF ASSEMBLY A1 IS AIR1. DESIGNATIONS OF OTHER COMPONENTS ARE COMPLETE AS SHOWN.

- NOTES
- REFER TO TABLE 8-3 FOR EXPLANATION OF SYMBOLS.
 - INTEGRATED CIRCUIT GATE INTERNAL LOGIC IS SHOWN IN FIGURE 8-6.
 - REFER TO FIGURE 8-4 FOR INFORMATION RELATIVE TO CONNECTOR PIN NUMERING.
 - PIN 14 OF ALL IC'S IS +5V, PIN 7 IS GROUND.
 - Q5-B; A12-16 BASE -0.7V TRUE, -1.7V FALSE.
 - R83 ELIMINATED IN OPT. 004 INSTRUMENTS
 - * FACTORY SELECTED PART.
 - † BACKDATING INFORMATION IN SECTION VII

PIN IDENTIFICATION

A	B	C	D	E	F	G	H	J	K	L	M	N	P	R	S
•	•	•	•	•	•	•	•	•	•	•	•	•	•	•	•
1	2	3	4	5	6	7	8	9	10	11	12	13	14	15	

REFERENCE DESIGNATIONS

A2	A13
J9	L1-8
A13	Q1-16
C1-29	R1-85
CR1-15	U1-3
CR1-16	
R38, 51	NOT USED

10

Figure 8-39. N2 VCO Schematic

SERVICE SHEET 11

N3 PHASE DETECTOR ASSEMBLY A10

Normally, causes of malfunctions in the Model 8660C will be isolated to a circuit board or assembly as a result of performing the tests specified in the troubleshooting trees.

The A10 assembly, a part of the two-assembly N3 phase lock loop is shown schematically and described on this service sheet. The N3 oscillator assembly, A8, is shown schematically and described on Service Sheet 12.

When trouble has been isolated to the A10 assembly it should be removed and reinstalled using two extender boards. This will provide easy access to test points and components.

NOTE

After making repairs to any part of the N3 loop circuits the adjustment procedures specified in Section V paragraph 5-31 should be performed to ensure proper operation of the instrument.

TEST EQUIPMENT REQUIRED (See Table 1-2)

Oscilloscope (with 10:1 divider probes)
Digital Voltmeter
Frequency Counter

N3 LOOP GENERAL INFORMATION

The purpose of the N3 loop is to generate digitally controlled RF signals in the range of 20.01 to 21.00 MHz in selectable 10 kHz increments. The voltage controlled oscillator is phase locked to a 100 kHz reference which is derived from the master oscillator in the reference section.

The RF output of the N3 voltage controlled oscillator is divided by ten before being applied to the SL2 assembly. The output to SL2 is 2.001 to 2.100 MHz in 1 kHz increments.

N3 PROGRAMMABLE DIVIDER CIRCUIT

All of the integrated circuits in the A10 assembly are used to count down the input from the N3 voltage controlled oscillator.

When there are no BCD inputs to U5 and U6 (all inputs low), the input from the oscillator will be 21.00 MHz when the oscillator is phase locked; the programmable divider will divide by 2100 to provide a 10 kHz output at TP3. U5 and U6 are preset by CF digits 1 and 2 and programmed to vary between start counts of 00 and 99. Operation of the circuit is as follows:

Assume that initially all BCD inputs are low and U4, U5 and U6 have been preset to zero. Assume also that U2A pin 6 (Q) and U2B pin 8 (Q) are both low. U1B pin 8 (Q) and U1A pin 6 (Q) are both high.

NAND gate U7C couples the input from the N3 oscillator to the clock input of U5. U5 provides a divided-by-ten output to clock U6 and also provides A, B and C (BCD 1, 2 and 4) outputs. The A, B and C outputs are not used until the count of 2097 has been reached.

U6 provides a divided-by-ten output to clock U4 and also provides A and D (BCD 1 and 8) outputs to AND gates U3A and U3C. The A and D outputs are not used until the count has reached 2090.

U4 provides a divided-by-ten output to clock U2A. At the count of 1000 U4 clocks U2A and the U2A Q output at pin 6 goes high. At the count of 2000 U4 again clocks U2A and the negative-going Q output at pin 6 clocks U2B. When U2B is clocked Q at pin 8 goes high and is applied to pins 2 and 13 of AND gate U3A.

At the count of 2090 the high A and D outputs of U6 are applied to AND gates U3A and U3C. Since U3A pins 2 and 13 are both high, U3A is enabled and it places a high on pin 11 of AND gate U3C.

SERVICE SHEET 11 (Cont'd)

At the count of 2097 the high A, B and C outputs of U5 are applied to AND gates U3B and U3C to provide a high at the J input of U1B at pin 11.

At the count of 2098 U1B is clocked, U1B Q (pin 8) goes low and sets U1A. U1A Q (pin 6) goes low and presets U2, U4, U5 and U6; they are held in preset until the count is completed.

When U1A is set Q (pin 5) goes high and initiates the sampling pulse. The first pulse to the sampling phase detector is initiated by the 2098th input cycle. Since two more cycles are required to restart the count cycle, following sampler pulses are 2100 cycles apart when there is no BCD input.

At the count of 2099 U1B is again clocked and Q (pin 8) goes high. The high at pin 8 is applied to the K input of U1A (pin 2).

At the count of 2100 U1A is clocked and pin 6 Q goes high to end the preset pulse. The next input to U5 initiates the next count cycle.

When there is a BCD input programmed into U5 and U6 pins 3, 4, 10 and 11 the terminal count is still 2100. However, the count starts at the number programmed into the BCD inputs. As an example, if the BCD input to U5 and U6 is 99, the first input cycle would cause the same digital circuit changes that the 100th input cycle caused in the discussion above (U4 would be clocked). The frequency division would be 2100-99, equal to division by 2001. The phase lock loop operation would result in an input frequency to the programmable divider of 20.01 MHz. When divided by 2001, the divider output at TP3 would again be 10 kHz.

The output from U1A pin 5 is always 10 kHz when the oscillator is phase locked regardless of the oscillator frequency.

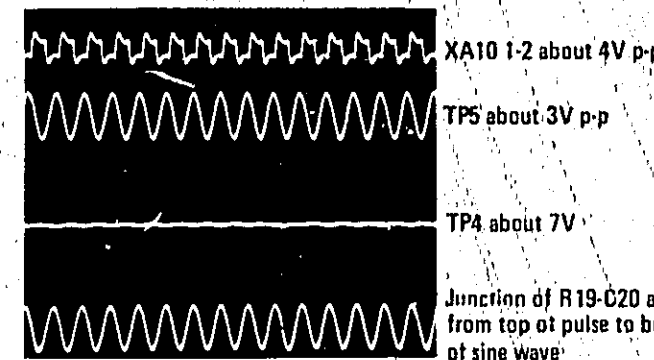
TEST PROCEDURE

Composite Waveform SS11-1 illustrates the proper timing relationship between the 100 kHz reference input, the pulse output from the pulse generator and the sampling point on the 100 kHz reference signal when the loop is locked.

NOTE

Center Frequency is initially set to zero.

Test 1-a. Use the counter and the oscilloscope to check for a 100,000 kHz sine wave at approximately 5 volts p/p at TP5. The display should be similar to that shown in the second trace from the top of composite waveform SS11-1.



Composite Waveform SS11-1

SERVICE SHEET 11 (Cont'd)

If the counter readout is 100,000 kHz but the sine wave is distorted, check Q1, Q2 and associated components.

If the signal is not present, connect the counter and the oscilloscope to XA10-1-2. The counter readout should be 100,000 kHz and the oscilloscope display should be similar to that shown in the top trace of composite waveform SS11-1.

If the correct signal is present at XA10-1-2, but was not present at TP5, check Q1, Q2 and associated components.

If the signal is not present at XA10-1-2 check interconnections to the reference loop and, if necessary, the reference loop.

Test 1-b. Connect the oscilloscope and the counter to TP4. The counter readout should be 100,000 kHz and the oscilloscope should display positive-going pulses as shown in composite waveform SS11-1 at about 7 volts amplitude. If the signal is not present, proceed to test 1-c.

If the signal is present, connect the oscilloscope to the junction of R19 and C20. The oscilloscope display should be similar to that shown in the lowest trace of composite waveform SS11-1.

If the programmable divider and the pulse generator are working properly but the loop is not phase locked, the oscilloscope may still display the signals at the junction of R19 and C20, but the relationship between the pulses and the sine wave will not be the same as shown in composite waveform SS11-1. If the voltage controlled oscillator and the summing circuit in the A8 assembly are known to be functioning properly, proceed to test procedure 1-c.

Test 1-c. If the pulses are not present at TP4, and the counter counts randomly or not at all, connect the oscilloscope to TP3. The oscilloscope display should be a series of pulses at approximately 10 kHz and about 4 volts in amplitude.

If the pulses are present at TP3, but were not present at TP4, check Q6, Q7 and associated components.

If the pulses are not present at TP3, proceed to test 1-d.

Test 1-d. If the pulse is not present at TP3 connect the oscilloscope to NAND gate U7C pin 8. The oscilloscope should display a slightly distorted sine wave at about 21 MHz and about 3 volts in amplitude.

If the signal is not present at U7C pin 8, connect the oscilloscope to XA10-2-15. The 21 MHz signal should be about 0.06 volt in amplitude. If the signal is present, U7 is probably defective. If the signal is not present check interconnections to the A8 assembly and, if necessary the A8 assembly.

Test 1-e. It is assumed in this test that the signal input is present at U5 pin 8. Composite waveforms SS11-2 through SS11-6 illustrate the correct waveforms for the integrated circuit points shown.

NOTE

These waveforms were taken with the oscilloscope triggered from TP3.

SERVICE SHEET 11 (Cont'd)

Follow the numerical sequence of the waveforms shown; when an IC output is missing the trouble is found. Replace the defective component and repeat test 1-b.

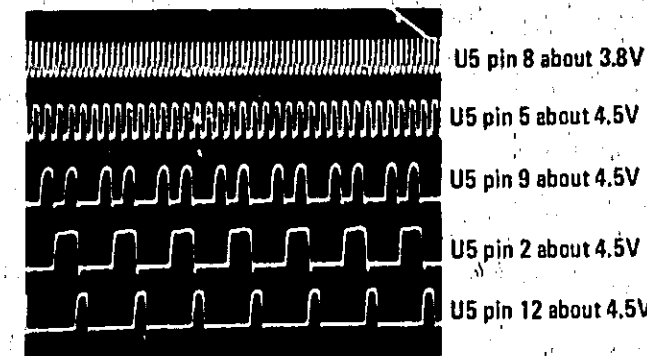
NOTE

If the output from U5 is not present proceed to test 1-f before replacing U5.

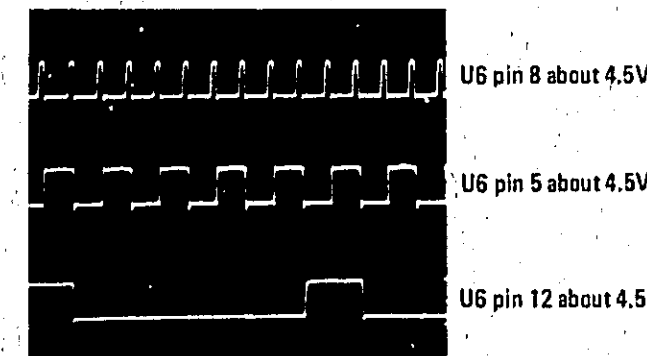
Test 1-f. Composite waveform SS11-7 illustrates correct waveforms for a properly operating U1. In this test the oscilloscope was again triggered by TP3 and the sweep delay of the oscilloscope was used to center the pulses shown.

If the waveforms in composite waveform SS11-7 cannot be observed (because an adequate oscilloscope is not available or other reasons) measure the voltage at U1 pin 6, it should be about +3.7 volts; U1 pin 5 should be at about +100 millivolts. If the voltages are not as specified, ground U1 pin 10. The voltages should then be; U1 pin 6 about +130 millivolts and U1 pin 5 about +3.8 volts. If the voltages are as specified in either case and there is no output from U5, U5 is probably defective.

If there is no change in the dc levels at U1 pins 5 and 6 with U1 pin 10 grounded U1 is probably defective.

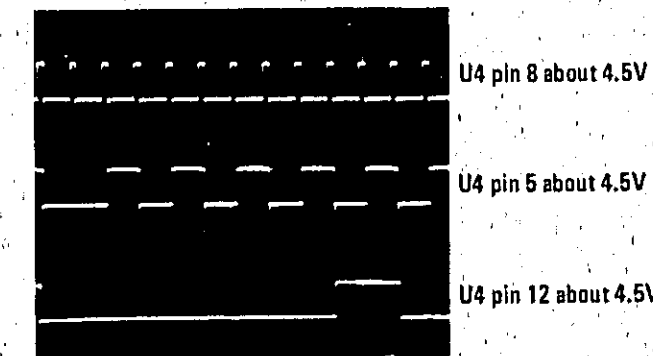


Composite Waveform SS11-2

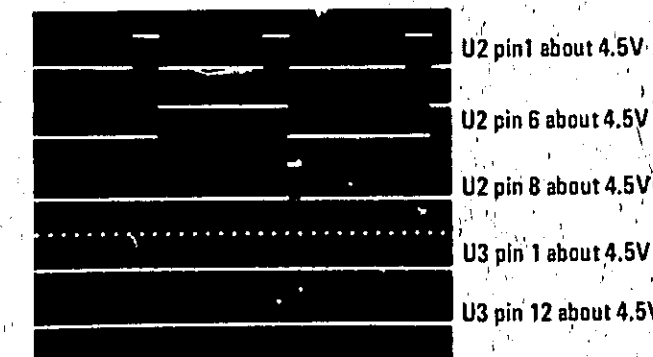


Composite Waveform SS11-3

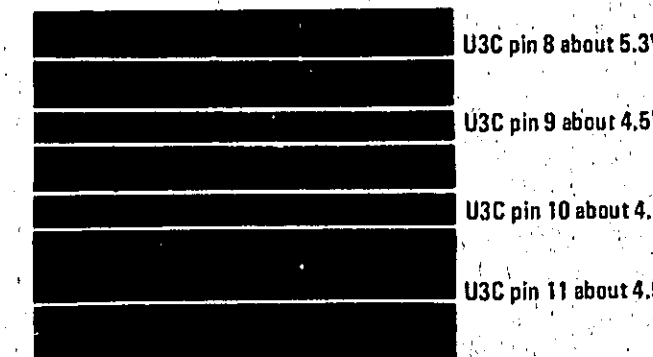
SERVICE SHEET 11 (Cont'd)



Composite Waveform SS11-4



Composite Waveform SS11-5



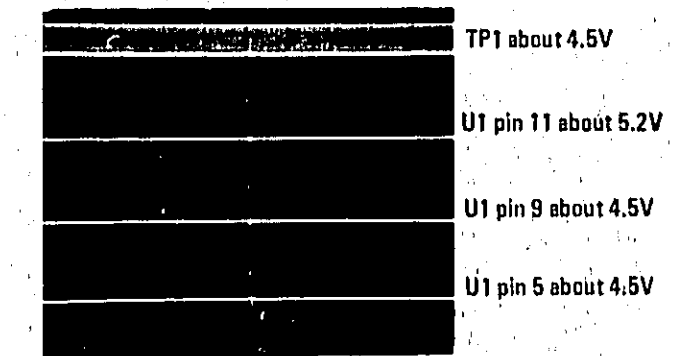
Composite Waveform SS11-6

N2 VCO
SERVICE SHEET 10

Service

Model 8660C

SERVICE SHEET 11 (Cont'd)



Composite Waveform SS11-7

SAMPLING PHASE DETECTOR

The positive-going output from U1A Q (pin 5) is used to generate the pulse required to open the sampler gate. Common base amplifier Q6 and emitter follower Q7 amplifies and couples the pulse to T1. CR1 and CR2 are used to minimize transformer flyback action. CR2 also bypasses the negative-going pulse around the transformer primary to ensure that only the positive-going pulse is coupled to the transformer secondary.

A 100 kHz signal from the reference loop is applied through Q2 and Q1 to the secondary center tap of T1. L5 and C8 (along with C4 in the reference loop A4A1 assembly) comprise a low pass filter; it has an impedance of about 450 ohms and a cutoff frequency of about 150 kHz. The TTL input from the reference loop is reshaped into a sine wave by the low pass filter. Q2 and Q1 amplify the signal to the level required in the sampling phase detector. L7 and C13 comprise a tuned circuit which bypasses unwanted high frequency signals and further filters the sine wave.

Sampler diodes CR3 and CR4 are normally reverse biased. When the sampling pulse appears across the secondary of T1 it is coupled through C20 and C21 to forward bias CR3 and CR4. Since the gate pulses are equal in amplitude but opposite in polarity, they will cancel at TP6.

While CR3 and CR4 are forward biased the sampling gate is open and the 100 kHz reference input signal is sampled.

This type of sampling phase detector may be phase locked to virtually any point on the sine wave slope. Ideally, the zero crossover point of the sine wave should be used to improve the lock and lock hold capabilities of the loop.

If the divided down output of the voltage controlled oscillator (10 kHz pulses) is not phase locked to the 100 kHz reference signal an ac error signal will be developed at TP6. The polarity of the error signal at any given point in time depends on the polarity of the 100 kHz reference signal at the time the last sample was taken. The amplitude of the error signal at any given time depends on what part of the sine wave the last sample was taken from. Each time CR3 and CR4 are forward biased the 100 kHz reference signal at T1 terminals 4 and 6 are coupled through the sampling gate to control the charge on C22.

When the sampling gate pulse ends CR3 and CR4 are again reverse biased and the sampling gate is closed. Since Q4 is a high impedance input device, the charge will remain on C22 until the next sampling pulse. The current through Q4 is controlled by the difference in Gate-source voltage of the lower FET. Operation of the dual FET sets the output level at the lower FET drain to exactly the level at the upper FET gate. The output is coupled through two emitter followers to the summing amplifier in the A8 assembly.

8-114

SERVICE SHEET 11 (Cont'd)

TEST PROCEDURE

Test 2-a. Connect the oscilloscope to TP6. If the 100 kHz reference signal is present one of the sampling gate diodes (CR3 or CR4) is probably shorted. If the gate pulses are present one of the sampling gate diodes is probably open (Negative-going pulses CR4 - positive-going pulses CR3). Proceed to test 2-b.

Test 2-b. With the oscilloscope connected to TP6, ground TP8. The oscilloscope should display a low frequency sine wave (about 4 volts) that varies in frequency. The frequency of the signal will be the difference frequency detected by the sampling gate.

If the signal is present at TP6, connect the oscilloscope to Q5-e. The sine wave should be the same as seen at TP6.

If the signal is present at Q5-e the error amplifier and the sampler circuit are functioning properly.

If the signal is not present at Q5-e and was present at TP6, check Q3, Q4, Q5 and associated components.

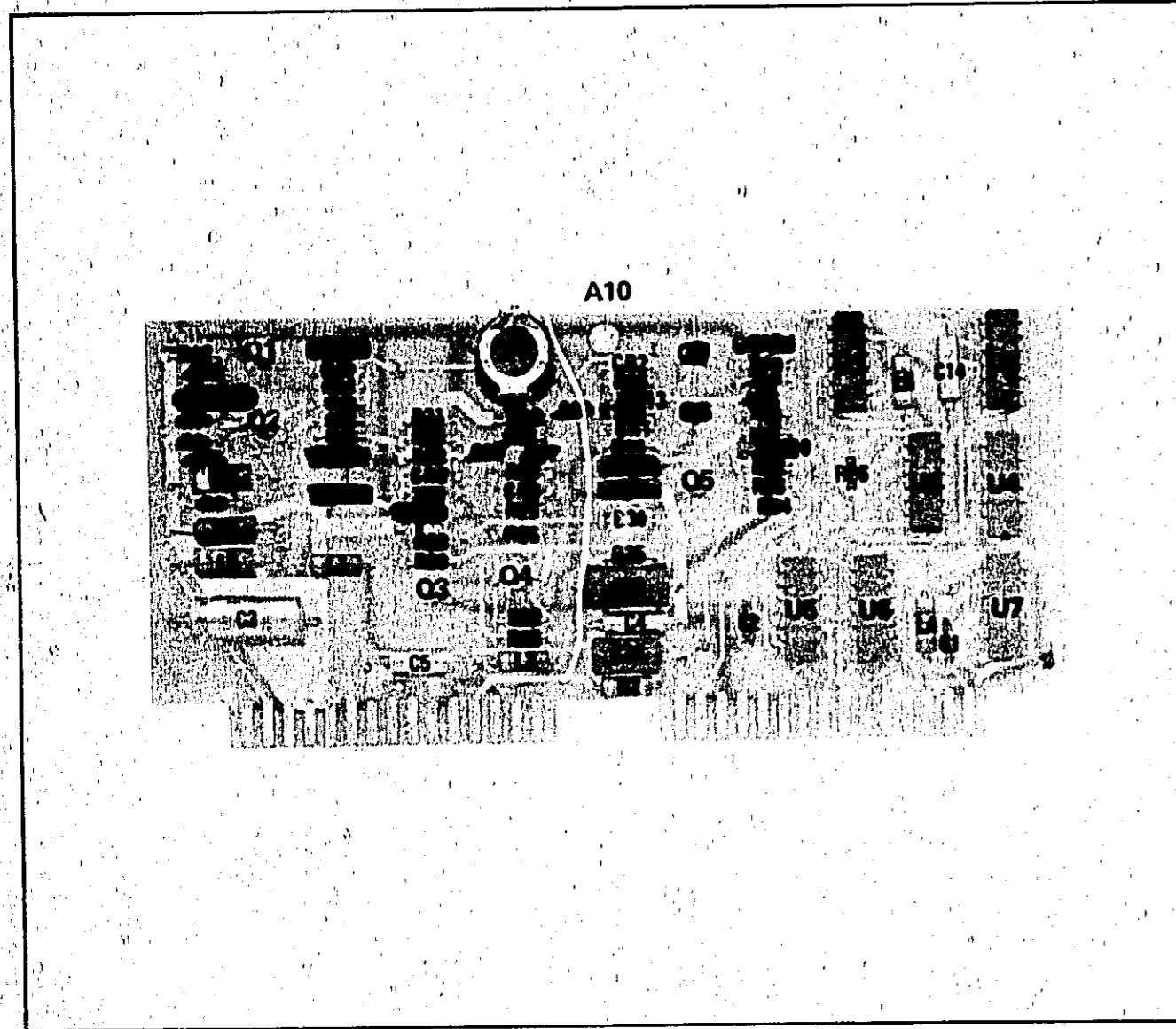


Figure 8-40. A10 N3 Phase Detector Component Locations

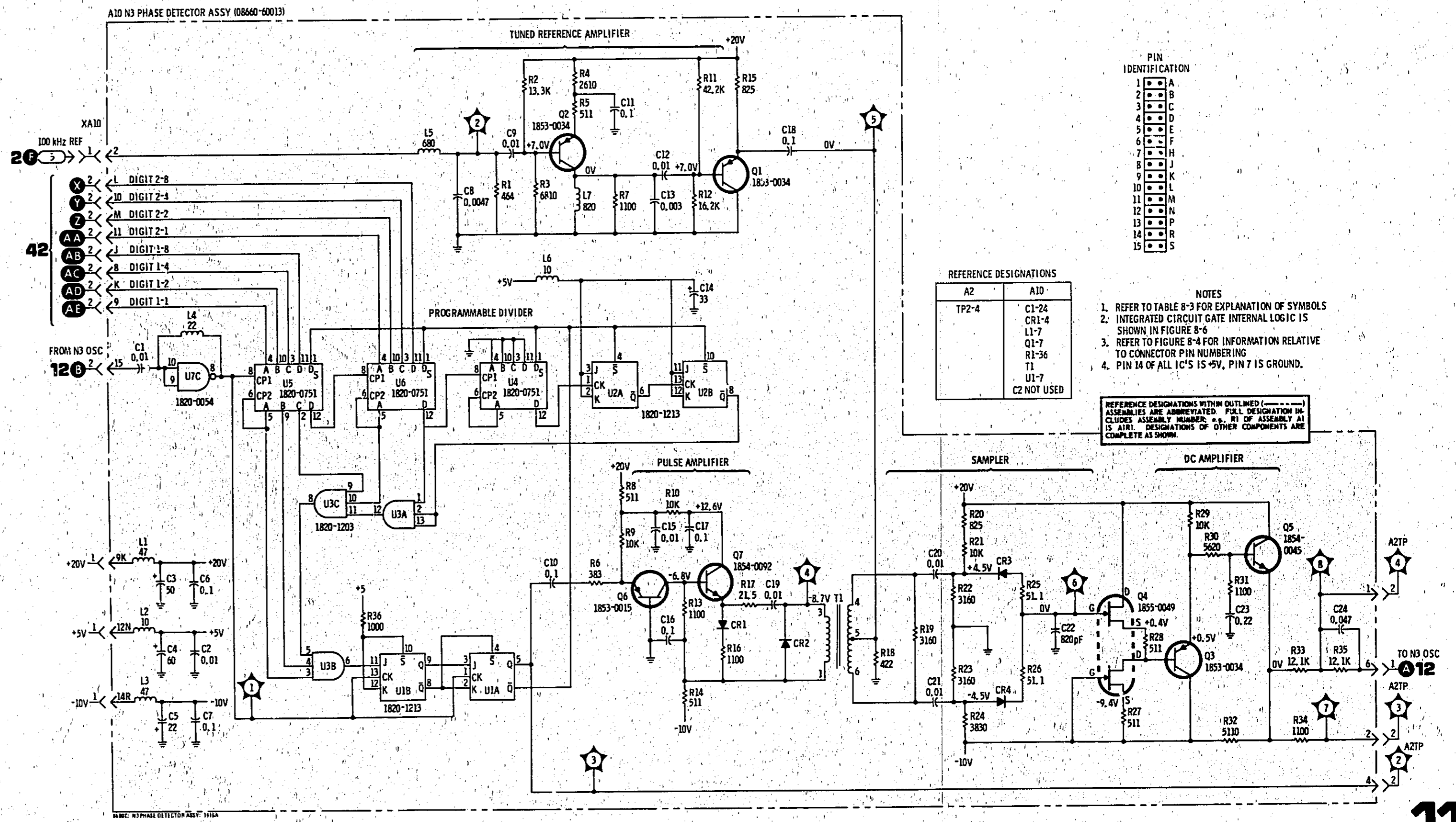


Figure 8-41. N3 Phase Detector Schematic

SERVICE SHEET 12

N3 OSCILLATOR ASSEMBLY A8

Normally, causes of malfunctions in the Model 8660C will be isolated to a circuit board or assembly as a result of performing the tests specified in the troubleshooting trees.

The A8 assembly, a part of the two-assembly N3 phase lock loop is shown schematically and described on this service sheet. The N3 Phase Detector assembly, A10, is shown schematically and described on Service Sheet 11.

When trouble has been isolated to the A8 assembly it should be removed and reinstalled using two extender boards. This will provide easy access to test points and components.

NOTE

After making repairs to any part of the N3 loop circuits the adjustment procedures specified in Section V paragraph 5-31 should be performed to ensure proper operation of the instrument.

TEST EQUIPMENT REQUIRED (See Table 1-2)

Digital Voltmeter
Frequency Counter

N3 LOOP GENERAL INFORMATION

The purpose of the N3 loop is to generate digitally controlled RF signals in the range of 20.01 to 21.00 MHz in selectable 10 kHz increments. The voltage controlled oscillator is phase locked to a 100 kHz reference which is derived from the master oscillator in the reference section. The RF output of the N3 voltage controlled oscillator is divided by ten before it is applied to summing Loop 2. The output from the N3 assembly to SL2 is 2.001 to 2.100 MHz in selectable 1 kHz increments.

VOLTAGE CONTROLLED OSCILLATOR

Q2, Q7 and associated components comprise a voltage controlled oscillator. C14 and C17 provide isolation for the dc levels required to bias the varactor. C13 provides the feedback required to sustain oscillation. The resonant tank is coupled to Q7 by capacitive divider C16 and C17. The FET acts as a source follower in the feedback circuit; it provides a high impedance at the gate and a low impedance at the source. The gain of the FET for the output signal at the drain is held at less than unity to minimize the Miller effect which might otherwise reflect capacitance back into the oscillator tank circuit.

Q1 amplifies the voltage controlled oscillator output and applies it to U1A which functions as a Schmitt trigger. U1D provides the output to the N3 programmable divider in the A10 assembly. U1B and U3 provide a divided by ten output to Summing Loop 2.

SERVICE SHEET 12 (Cont'd)

TEST PROCEDURE 1

NOTE

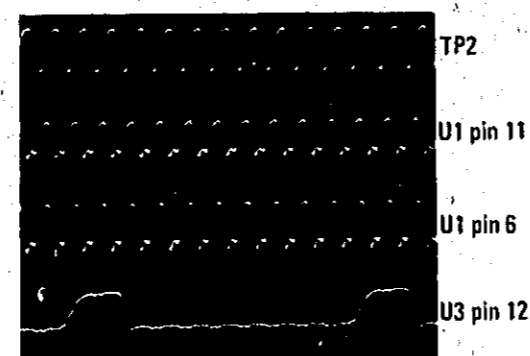
Do not use long coax leads from the counter to N3 test points. The capacitive loading may attenuate the signal below a useable level.

Test 1-a. Connect the counter to TP2. With the center frequency set to zero the counter readout should be 21.00 MHz. Set CF digits 1 and 2 to the settings specified in Table 8-47. Frequency readouts on the counter should follow those specified in the table. (Make allowances for counter accuracy).

NOTE

If the frequency readouts listed in Table 8-47 are not approximately as shown, check the voltage levels shown for TP3 in the table. If the voltage levels are incorrect proceed to test procedure 2.

If the signal is present use the oscilloscope to check the signal at points shown in composite waveform SS12-1. Signals shown are about 4 volts in amplitude.



Composite Waveform SS12-1

If the signal is present at TP2 but is not present at U1 pin 11, U1 is probably defective; if the signal is not present at U3 pin 12, U1 or U3 may be defective.

If the signal is not present at TP2 use the oscilloscope to check for the signal at Q1-b. If the signal is present at Q1-b check Q1 and NAND gate U1A. If the signal is not present check Q2, Q7 and associated components.

2 PRETUNING CIRCUIT

The frequency of the voltage controlled oscillator is roughly preset by the digital to analog converter (U2 and Q8 through Q11). The digital to analog converter

SERVICE SHEET 12 (Cont'd)

cannot, by itself, set the oscillator frequency precisely; it does set the frequency within the capture range of the phase lock loop. The inputs to U2 are BCD bits coded 1, 2, 4 and 8. When any one of the BCD inputs are high they cause the output of the NAND gate to which they are connected to go low; the transistor connected to the NAND gate output is switched on.

When all of the BCD inputs are low Q6 is biased to provide approximately -8.5 volts at TP1 (Q5-e). With this dc level at TP1 the oscillator is roughly preset to 21 MHz (how close depends on adjustment of R24 and R26).

When any one or more BCD inputs go high the transistor associated with it saturates and the current through Q6 is reduced. The reduction of current through Q6 changes the bias on Q5 and causes the voltage at TP1 to go less negative (closer to dc ground level). Finally, when the BCD input is 9, the voltage at TP1 is approximately -6.7 volts and the oscillator is roughly preset to 20.01 MHz (again depending on adjustment of R24 and R26).

Q3 is a summing amplifier which combines the output of the digital to analog converter and the error signal from the N3 Phase Detector. The summing point (Q3-e) sums the current from three sources; a current source from the +20 volt power supply through R19, R25 and R26, a negative source from the digital to analog converter (TP1), and the error signal from the phase detector. The voltage at the summing point is always zero volts when the loop is locked.

The output from Q3 is coupled through Q4 and Q12 to control the bias on varactor CR5 and the frequency of the voltage controlled oscillator.

TEST PROCEDURE 2

Test 2-a. Use the digital voltmeter to check the voltages at TP1 and TP3. These dc levels should be about as shown in Table 8-47 for the center frequencies shown.

NOTE

These voltages are typical. They will vary from instrument to instrument because of differences in individual varactor characteristics.

If the voltages at TP1 are about right, but those at TP3 are not, check Q3, Q4, Q12 and associated components.

If the voltages at TP1 are not approximately as shown in Table 8-47, check the components in the digital to analog converter.

NOTE

Also check the dc levels at the BCD input lines.

Service

Model 8660C

SERVICE SHEET 12 (Cont'd)

Table 8-47. N3 Frequency Versus Voltage Chart

Center Frequency	Counter Readout	TP1 Voltage	TP3 Voltage
00 Hz	21.000000 MHz	-8.5 V	-3.7 V
11 Hz	20.890000 MHz	-8.3 V	-3.6 V
22 Hz	20.780000 MHz	-8.1 V	-3.5 V
33 Hz	20.670000 MHz	-7.9 V	-3.4 V
44 Hz	20.560000 MHz	-7.7 V	-3.3 V
55 Hz	20.450000 MHz	-7.5 V	-3.2 V
66 Hz	20.340000 MHz	-7.3 V	-3.1 V
77 Hz	20.230000 MHz	-7.1 V	-3.0 V
88 Hz	20.120000 MHz	-6.9 V	-2.9 V
99 Hz	20.010000 MHz	-6.7 V	-2.8 V

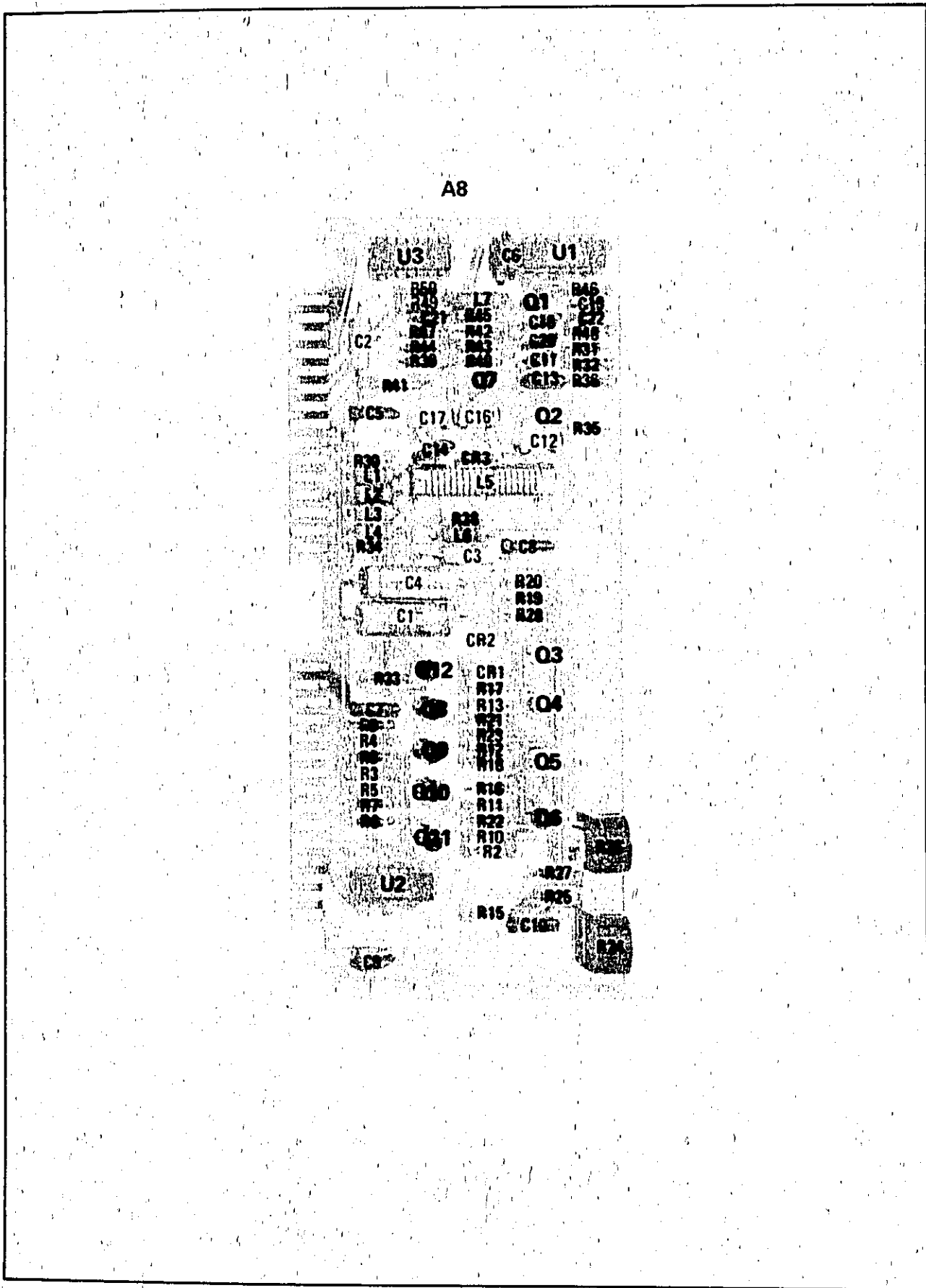
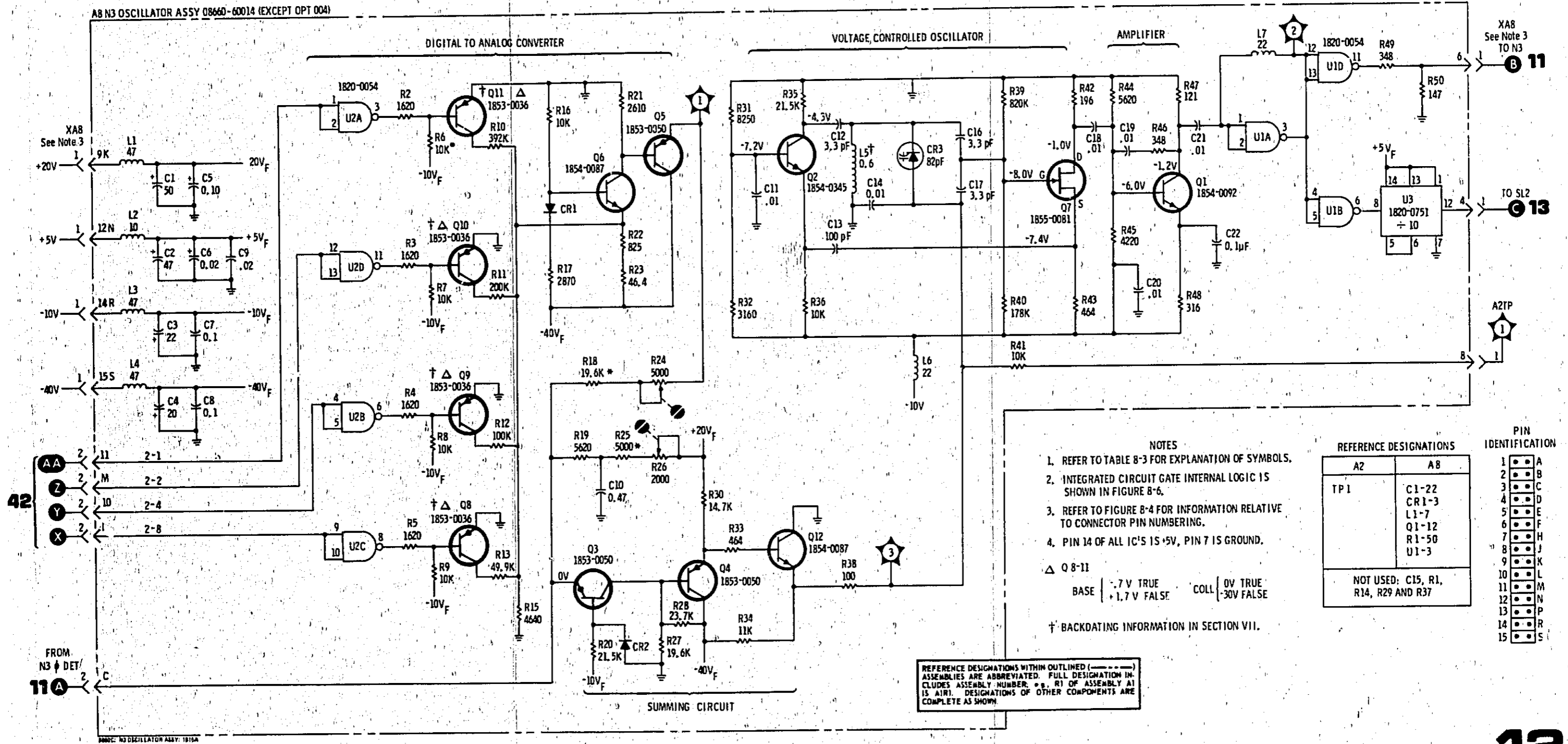


Figure 8-42, A8 N3 VCO Component Locations.



12
A8

Figure 8-43. N3 VCO Schematic

SERVICE SHEET 13

SUMMING LOOP 2 PHASE DETECTOR A12

Normally, causes of malfunctions in the Model 8660C will be isolated to a circuit board or assembly as a result of performing the tests specified in the troubleshooting trees.

The A12 assembly, a part of the two-assembly SL2, is shown schematically and described on this Service Sheet. The SL2 Oscillator Assembly (A11) is shown schematically and described on Service Sheet 14.

When trouble has been isolated to the A12 assembly it should be removed and reinstalled using two extender boards. This will provide easy access to test points and components.

NOTE

After making repairs to any part of the SL2 circuits the adjustment procedures in Section V paragraph 5-32 should be performed to ensure proper operation of the instrument.

TEST EQUIPMENT REQUIRED (See Table 1-2)

Oscilloscope (with 10:1 divider probes)
Digital Voltmeter
Frequency Counter

SUMMING LOOP 2 GENERAL

The purpose of Summing Loop 2 (SL2) is to generate digitally controlled RF signals in the range of 20,0001 to 30,0000 MHz in selectable 100 Hz increments. The difference frequency between the SL2 voltage controlled oscillator and the input from the N2 loop is phase locked to the divided-by-ten output of the N3 assembly. The output of SL2 is applied to SL1.

The portion of the pretuning circuit that appears on service sheet 13 (U8 and Q8 through Q11) is explained in the text for service sheet 14.

PHASE DETECTOR

There are three signal inputs to the phase detector assembly. They are the output of the N2 voltage controlled oscillator, the divided by ten output of the N3 voltage controlled oscillator and the output of the SL2 voltage controlled oscillator.

The N2 and SL2 signals are mixed and the difference frequency is used as one input to the digital phase detector. The second input to the digital phase detector is the divided by ten input from the N3 assembly.

The output of the N3 voltage controlled oscillator is divided by ten in the N3 assembly and again divided by ten by U9. Q12 and NAND gate U7A shape the resulting pulses which vary in frequency (depending on programming to the N3 loop) from 0.2001 to 0.2100 MHz. The pulses at TP2 are negative-going.

SERVICE SHEET 13 (Cont'd)

The inputs from the N2 loop and the SL2 voltage controlled oscillator are applied to double balanced mixer E1 R and L ports. The difference signal from the X port is amplified by Q5 and Q4 and shaped by Q3, Q7 and NAND gates U4B and U4C. When the loop is phase locked the negative-going pulses at TP3 are at the same frequency as those at TP2. The pulses do not appear in time coincidence; they are received alternately.

U7B, U7D, U4A and U4D comprise a coincidence gate which inhibits signals that appear simultaneously at TP2 and TP3. Normally, when signals are not present, TP2 and TP3 are both high. When a signal appears at TP2, U7B pin 6 and U4D pin 13 go high. If there is no signal at TP3 U5D pin 12 is also high; U4D pin 11 goes low, and U1B pin 6 goes high. The positive pulse at TP5 drives the clock generator and the sense circuit or phase detector. When a signal appears at TP3, U4A pin 3 and U7D pin 12 go high. If there is no signal at TP2, U7D pin 13 is also high; U7D pin 11 goes low, and U7C pin 8 goes high. The positive pulse at TP9 drives the clock generator and the sense circuit or the phase detector. When signals appear at TP2 and TP3 at the same time U7D pin 13 and U4D pin 12 go low, U7D pin 11 and U4D pin 11 remain high, and the signals cannot reach TP5 or TP9.

U1A, U1C, U1D and U5C comprise a clock generator which clocks U2A and U2B each time a signal appears at TP5 or TP9. With no signals present TP5 and TP9 are low. When a positive pulse appears at TP9 U1A pin 3 goes low, U1D pin 11 goes high and a negative-going pulse appears at TP6. When a positive pulse appears at TP5 operation of the circuit is the same except that U1C pin 8 goes low (rather than U1A pin 3). Since a clock pulse is generated for each input, the pulse frequency at TP6 is the sum of the frequencies at TP5 and TP9.

Since the sense circuit does not function when the loop is locked, operation of the phase detector will be discussed first.

When the loop is phase locked U2A Q is held high to enable U3A and U3D. Assume that initially U2B Q is high, U3B pin 6 is low and U3C pin 8 is high. When a positive-going signal from TP9 appears at U3A pin 1, U3A pin 3 goes low and causes a change in state of flip-flop U3B/U3C; U3B pin 6 goes high and U3C pin 8 goes low. The high at U2B pin 12 sets the flip/flop and the positive-going trailing edge of the clock pulse causes U2B Q to go high. The following positive pulse from TP5 is applied to U3D pin 12, U3D pin 11 goes low and changes the state of flip/flop U3B/U3C. U3B pin 6 goes low and the clock pulse causes U2B Q to again go high. This sequence continues as long as the signals at TP5 and TP9 are received alternately.

The signals at TP5 and TP9 are applied to the sense circuit even when the loop is phase locked. They have no effect on the circuit because of the relationship of the Q and Q outputs of U2B to the incoming signals.

SERVICE SHEET 13 (Cont'd)

When U2B Q is high NAND gates U6A and U6C are enabled. When the signal from TP5 appears at U6C pin 9, U6C pin 8 goes low; flip/flop U5A/U5B does not change state because U5B pin 3 is low. The signal at U6B has no effect, because U2B Q and U6B pin 4 are low.

When U2B Q is high NAND gates U6B and U6D are enabled. When the signal at TP9 appears at U6D pin 13, U6D pin 11 goes low; flip/flop U5A/U5B does not change state because U5B pin 3 is low. The signal at pin 1 of U6A has no effect on the circuit because U2B Q and pin 2 of U6A are low.

When two or more consecutive pulses from either input (TP5 or TP9) occur between pulses from the other input the sense circuit functions to disable the phase detector until the frequency error is corrected.

As an example of circuit operation assume that two pulses from TP9 (SL2 signal) are received between two pulses from TP5 (N3 signal) indicating that the SL2 frequency is high. When the first pulse from TP9 is received U3A pin 3 goes low, U3B pin 6 goes high to set U2B and the clock pulse causes U2B Q to go high. When the second consecutive pulse is received from TP9 U6A has been enabled by the high Q output of U2B. U5A pin 3 goes low and causes flip/flop U5A/U5B to change state. When the D input of U2A goes low the clock pulse causes U2A Q to go low and inhibit U3A and U3D. If a third SL2 signal is received prior to receipt of an N3 signal U6A pin 3 will again go low but will have no effect on flip/flop U5A/U5B because U5A pin 13 is low.

When an N3 pulse is received U2B Q is still high and U6C pin 8 will go low to change the state of flip/flop U5A/U5B. When the D input of U2A goes low the clock pulse causes U2A Q to go high and enable U3A and U3D. The propagation time of the signal through the sense circuit is long enough for the pulse from N3 (TP5) to have ended before U3D is enabled so the state of flip/flop U3B/U3C does not change.

The next pulse from SL2 will again cause U6A pin 3 to go low and change the state of flip/flop U5A/U5B. With the D input to U2A high again, the clock pulse again causes U2A Q to go low and inhibit U3A and U3D. The signal applied to U3A has no effect on flip/flop U3B/U3C because U3B pin 6 is low.

The sense circuit continues operation in the manner described above until two consecutive N3 pulses are received between two SL2 signals. When this occurs the first pulse causes U6C pin 8 to go low and change the state of flip/flop U5A/U5B. With the D input to U2A low the clock pulse will cause U2A Q to go high and enable U3A and U3D. Again, because of propagation time through the sense circuit

SERVICE SHEET 13 (Cont'd)

the pulse will have ended before U3D is enabled. The second consecutive N3 pulse again causes U6C pin 8 to go low but, because U5B pin 3 is low, no change in state occurs in flip/flop U5A/U5B. Since U3D is now enabled, U3D pin 11 goes low and causes flip/flop U3B/U3C to change state. With the D input to U2B low, the clock pulse causes U2B Q output to go high. Phase lock has been achieved and the loop will remain locked as long as pulses at the same frequency appear alternately at TP5 and TP9.

When the SL2 frequency is low U2B Q is low. When the SL2 frequency is high U2B Q is high.

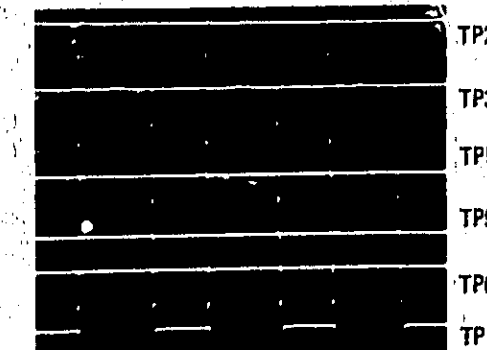
DC amplifier Q2, Q1, Q6 and associated components filter the Q output of U2B and applies it to a summing circuit in the A11 assembly to precisely control the voltage controlled oscillator.

TEST PROCEDURE

Test 1-a. Connect the oscilloscope input to test points shown by composite waveform SS13-1. This composite waveform illustrates correct waveforms and timing relationships for the points tested. All signals are about 4 volts in amplitude.

NOTE

The oscilloscope was triggered from TP1 for these tests.



Composite Waveform SS13-1

If the pulses are not present at TP2 proceed to test 1-b.

If the pulses are not present at TP3 proceed to test 1-c.

If the pulses are present at TP2 and TP3, but opposite polarity pulses are not present at TP5 and/or TP9, check the NAND gates between TP2 and TP5 or TP3 and TP9 as appropriate.

SERVICE SHEET 13 (Cont'd)

If the positive-going pulses are present at TP5 and TP9, but negative-going pulses are not present at TP6 for each of the pulses, check NAND gates U1A, U1C, U1D and U5C as appropriate.

If the pulses are approximately as shown in the top five traces of composite waveform SS13-1 but there is no square wave at TP7, use the oscilloscope to check the signal at NAND gate U3B pin 6. The display should be the same as that shown for TP7. If the signal is present, U2B is probably defective.

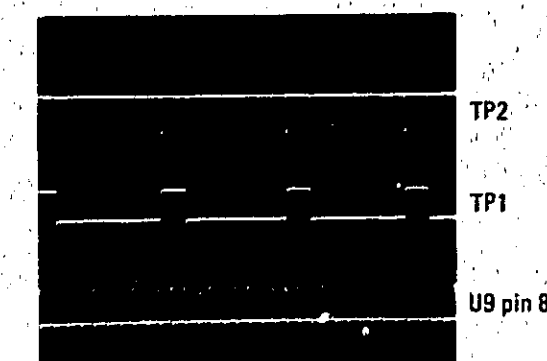
If the signal is not present at U3B pin 6 use the oscilloscope to check the signals at NAND gates U3D pin 11 and U3A pin 3. The signals should appear as they did at TP5 and TP9 except that they are inverted. If the signals are present U3B or U3C may be defective. If the signal is present at one of the NAND gate outputs but not at the other, replace U3.

If the signal is not present at U3D pin 11 or U3A pin 3, use the digital voltmeter to check the dc level at U2A pin 6. The dc level should be about +4 volts. If U2A pin 6 is at about +4 volts, U3 is defective.

If the +4 volts is not present at U2A pin 6, ground U2A pin 1. If the voltage at U2A pin 6 does not go to about +4 volts, U2 is defective.

If trouble still has not been found, connect the counter to TP3 and the digital voltmeter and the oscilloscope to NAND gate U5A pin 12. The counter readout should be about 210 kHz and U5A pin 12 should be low (about +60 millivolts). If the counter readout is lower or higher than 210 kHz and U5A pin 12 is high, slowly rotate A11R19 through its range while observing the counter and the oscilloscope. As the counter readout passes through the 210 kHz point the oscilloscope display should show a change in dc level; if it does not, U5 or U6 is probably defective.

Test 1-b. If there is no signal at TP2, or the signal is not approximately as shown in the top trace of composite waveform SS13-2, connect the oscilloscope first to TP1, then to U9 pin 8. TP1 and U9 pin 8 signals should be as shown in composite waveform SS13-2. All signal levels are about 4 volts.



Composite Waveform SS13-2

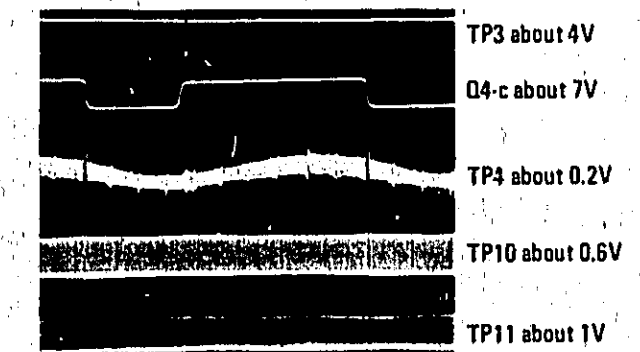
SERVICE SHEET 13 (Cont'd)

If the signal is as shown at TP1, U7A or Q12 may be defective.

If the signal is as shown at U9 pin 8 but does not appear at TP1, U9 is probably defective.

If the signal does not appear at U9 pin 8 check the interconnections to the N3 loop and, if necessary, the N3 loop.

Test 1-c. If there is no signal at TP3, or the signal is not approximately as shown in the top trace of composite waveform SS13-3, connect the oscilloscope, in turn, to the points shown in composite waveform SS13-3.



Composite Waveform SS13-3

If the signal shown in the second trace from the top of composite waveform SS13-3 is not as shown check Q3, Q7, U4B, U4C and associated components.

If the signal does not appear at Q4-c but the signal at TP4 is present check Q5, Q4 and associated components.

If the signal is not present at TP4 check for signals shown at TP10 and TP11. If both signals are present mixer E1 is probably defective. If either TP10 or TP11 signals are not present, trouble is in the N2 Loop or the SL2 voltage controlled oscillator.

Test 1-d. To check operation of the dc amplifier connect the digital voltmeter to TP8 and rotate A11R19 through its range. The digital voltmeter readout should vary from about -1.5 volt to about +1.5 volt. If the voltage does not vary as A11R19 is adjusted, check Q2, Q1, Q6 and associated components.

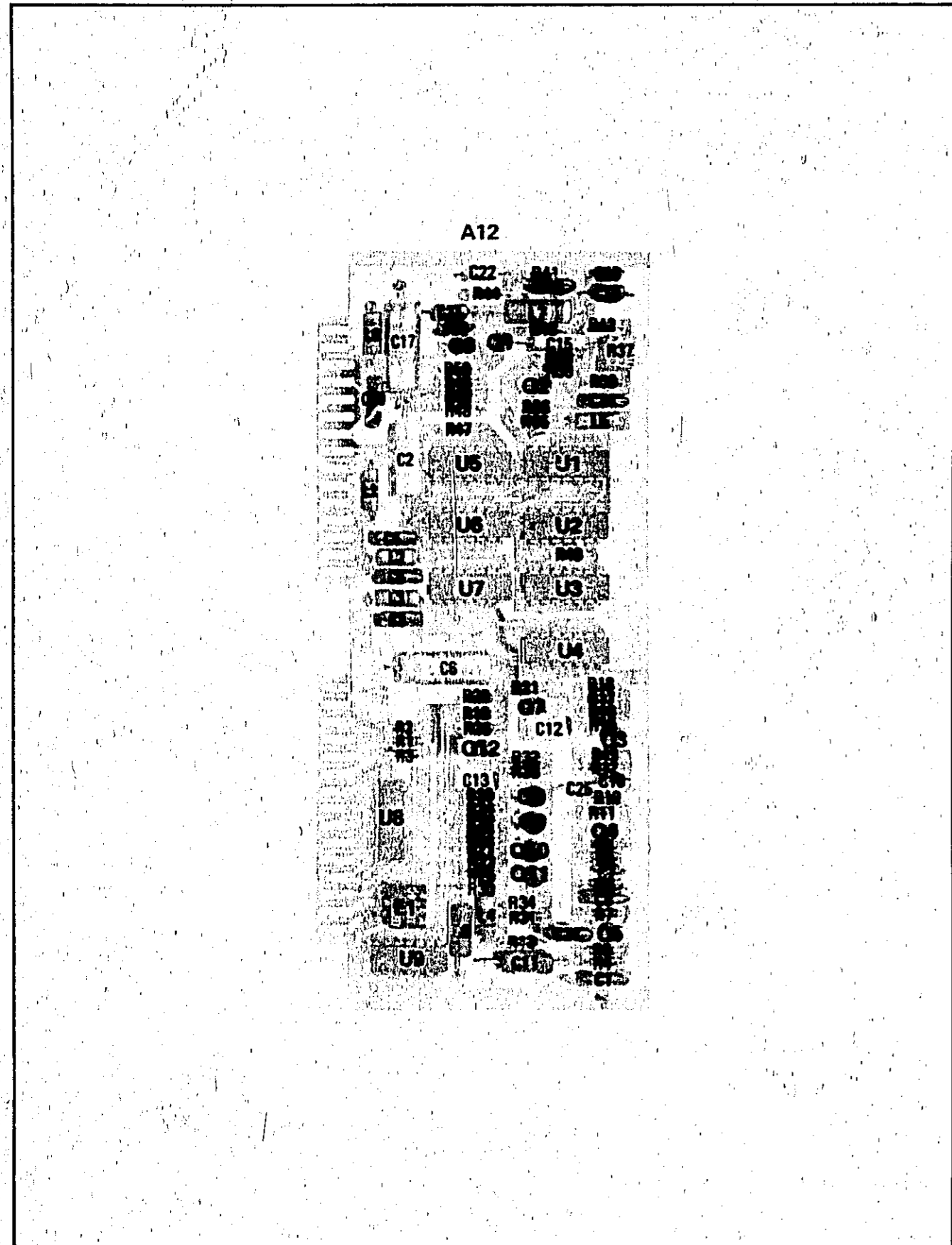


Figure 8-44. A12 SL2 Phase Detector Component Locations

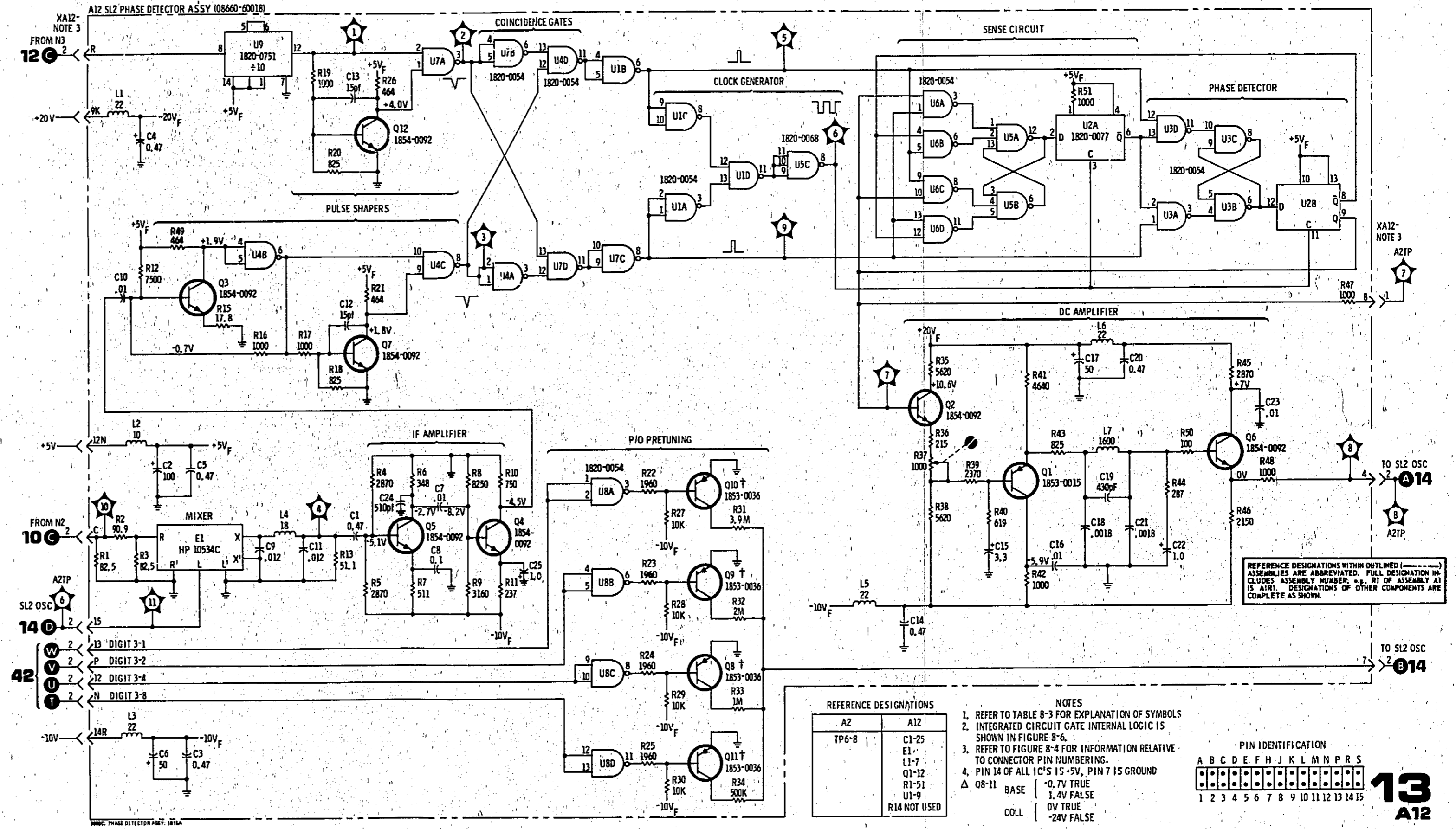


Figure 8-45. SL2 Phase Detector Schematic

SERVICE SHEET 14

SUMMING LOOP 2 OSCILLATOR A11

Normally, causes of malfunctions in the Model 8660C will be isolated to a circuit board or assembly as a result of performing the tests specified in the troubleshooting trees.

The A11 assembly, a part of the two-assembly SL2, is shown schematically and described on this service sheet. The SL2 Phase Detector assembly (A12) is shown schematically and described on service sheet 13.

When trouble has been isolated to the A11 assembly it should be removed and reinstalled using two extender boards. This will provide easy access to test points and components.

NOTE

After making repairs to any part of the SL2 circuits the adjustment procedures in Section V paragraph 5-32 should be performed to ensure proper operation of the instrument.

TEST EQUIPMENT REQUIRED (See Table 1-2)

- Oscilloscope (with 10:1 divider probes)
- Digital Voltmeter
- Frequency Counter

SUMMING LOOP 2 GENERAL

The purpose of Summing Loop 2 (SL2) is to generate digitally controlled RF signals in the range of 20.0001 to 30.0000 MHz in selectable 100 Hz increments. The difference frequency between the SL2 voltage controlled oscillator and the input from the N2 loop is phase locked to the divided-by-ten output of the N3 assembly. The output of SL2 is applied to SL1.

PRETUNING AND OSCILLATOR

The A11 assembly contains a voltage controlled oscillator, a digital to analog converter and a circuit to combine the pretuning dc level with the output from the phase detector. The frequency of the voltage controlled oscillator is roughly preset by the pretuning signal from the digital to analog converter circuit. The pretuning signal cannot, by itself, set the oscillator precisely; it does set the frequency within the capture range of the phase lock loop.

U2 is a decoder which converts the BCD information from digit 5 to turn on one of nine transistors in a resistive network. Quad NAND gate U3 turns on one or more transistors (Q17 through Q20) when there is a BCD input from digit 4. Quad NAND gate U8 in the A12 assembly turns on one or more transistors (A12Q8 through A12Q11 also in the A12 assembly) when there is a BCD input from digit 3.

When there is no BCD input (all inputs low), the voltage at TP3 is approximately -25 volts and the oscillator is roughly preset to 30.0000 MHz. As the digital to

SERVICE SHEET 14 (Cont'd)

analog transistors are switched on the voltage at TP3 decreases (becomes less negative). When the BCD inputs are at 999 the voltage at TP3 is about -5 volts and the oscillator is roughly preset to 20.0001 MHz.

Q4 is a summing amplifier which combines the output of the digital to analog converter and the signal from the SL2 phase detector. The summing point (Q4-e) sums the current from three sources; a current source from the +20 volt supply through R19, R20 and R21, a negative source from the digital to analog converter (TP3) and the signal from the SL2 phase detector. The voltage at the summing point is always zero volts.

When TP3 is at approximately -25 volts (all BCD inputs low), most of the current from the +20 volt source flows through Q5, very little flows through Q4. Under these conditions the voltage at Q4-c is about -30 volts. As the voltage at TP3 decreases (gets closer to dc ground level) less current flows through Q5, more flows through Q4 and the voltage at Q4-c decreases.

CR2 through CR11 and associated resistors are used to shape the voltage curve applied to the voltage controlled oscillator tuning varactors to ensure that the frequency change is linear with the applied voltage. The voltage at the junction of R52 and R53 is about -27.5 volts. When all BCD inputs are low (Q4-c is at about -30 volts) all of the diodes in the shaper are reverse biased. As the voltage at TP3 decreases (gets closer to -5 volts), current through Q4 increases and the Q4 collector voltage decreases. As the Q4-c voltage decreases first CR11, then CR10, etc are forward biased. As the diodes are forward biased resistors are added in parallel with R37 and R38 to shape the voltage curve to the varactors. Q15 provides a low impedance output to drive the varactors.

Q1 drives U1A which functions as a Schmitt trigger. U1B inverts the signal and applies it to the SL1 phase detector. U1D also inverts the signal and applies it to the SL2 phase detector.

TEST PROCEDURE

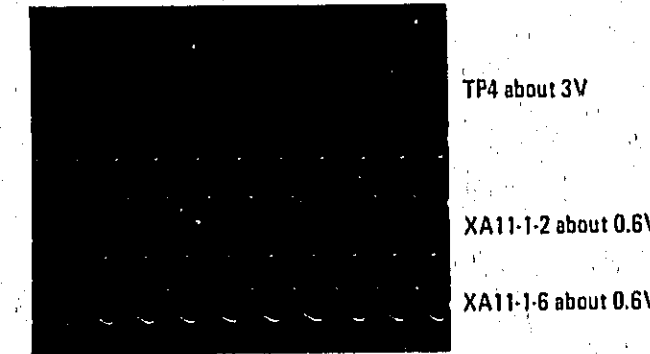
Test 1-a. Connect the counter to TP4. With the center frequency set to zero the counter readout should be 30.000000 MHz. Set CF to the settings specified in Table 8-32. Frequency readouts should follow those specified in the table. (Make allowances for counter accuracy).

NOTE

If the frequency readouts listed in Table 8-32 are not as shown, check the voltage levels shown for TP5 in the table. If the voltages are incorrect proceed to test procedures.

If the signal is present use the oscilloscope to check the signals at points shown by composite waveform SS14-1.

SERVICE SHEET 14 (Cont'd)



Composite Waveform SS14-1

If the signal is present at TP4 but is not present at XA11-1-2 or XA11-1-6, U1 is probably defective.

If the signal is not present at TP4, use the oscilloscope to check for the signal at Q1-b. If the signal is present at Q1-b, check Q1 and NAND gate U1A. If the signal is not present at Q1-b check Q2, Q3 and associated components.

TEST PROCEDURE

Test 2-a. Use the digital voltmeter to check the voltages at TP3, TP2 and TP5. These dc levels should be about as shown in Table 8-48 for the center frequencies shown.

NOTE

These voltages are typical. They will vary from instrument to instrument because of differences in individual varactor characteristics.

If the voltage at TP3 does not change when CF digit 5 is changed to any position, U2 is probably defective. (Verify presence of BCD inputs). If the voltage at TP3 reaches about -25 volts when any CF digit 5 position is set (other than 0) the transistor associated with that number is probably open.

When the voltage at TP3 does not change with a change of the setting of CF digit 4, U3 or the associated transistors may be defective.

When the voltage at TP3 does not change with a change in the setting of CF digit 3, A12U8 or associated transistors may be defective. (This portion of the digital to analog converter is located in the A12 assembly).

SERVICE SHEET 14 (Cont'd)

If the voltages are approximately correct at TP3 but are not correct at either TP2 or TP5, check Q4, Q15 and associated components.

The counter is connected to TP4 for readouts specified in Table 8-48.

Table 8-48. SL2 Frequency Versus Voltage Chart

Center Frequency	Counter Readout	TP3	TP2	TP5
00000 Hz	30.000000 MHz	-25.1 V	-31.6 V	-30.9 V
11100 Hz	28.890000 MHz	-22.8 V	-25.5 V	-24.8 V
22200 Hz	27.780000 MHz	-20.5 V	-20.5 V	-19.9 V
33300 Hz	26.670000 MHz	-18.3 V	-16.4 V	-15.7 V
44400 Hz	25.560000 MHz	-16. V	-13. V	-12.4 V
55500 Hz	24.450000 MHz	-13.8 V	-10.3 V	-9.6 V
66600 Hz	23.340000 MHz	-11.7 V	-8. V	-7.3 V
77700 Hz	22.230000 MHz	-9.5 V	-6.2 V	-5.5 V
88800 Hz	21.120000 MHz	-7.3 V	-4.6 V	-4. V
99900 Hz	20.010000 MHz	-5.3 V	-3.4 V	-2.8 V

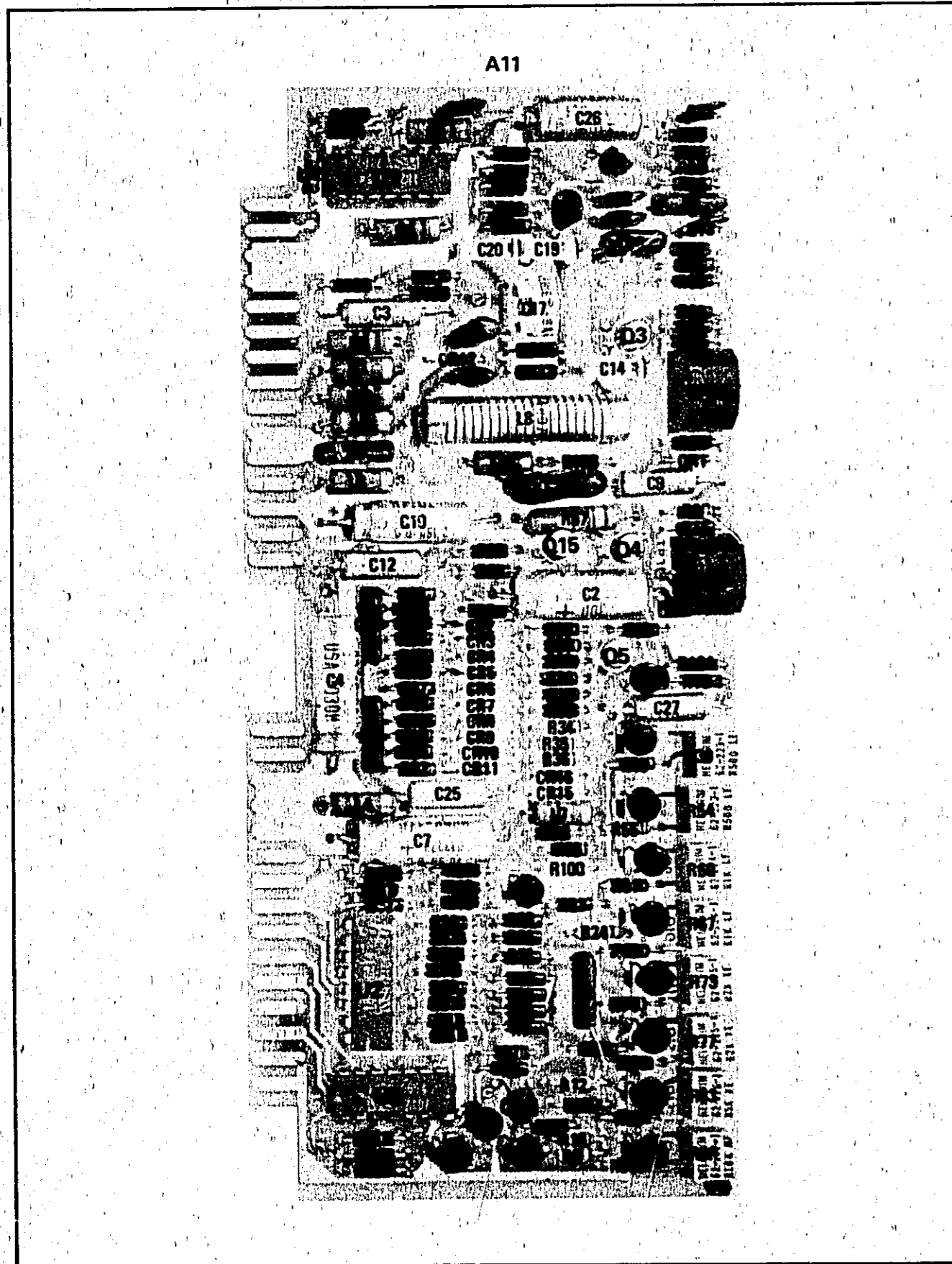


Figure 8-46. A11 SL2 VCO Component Locations

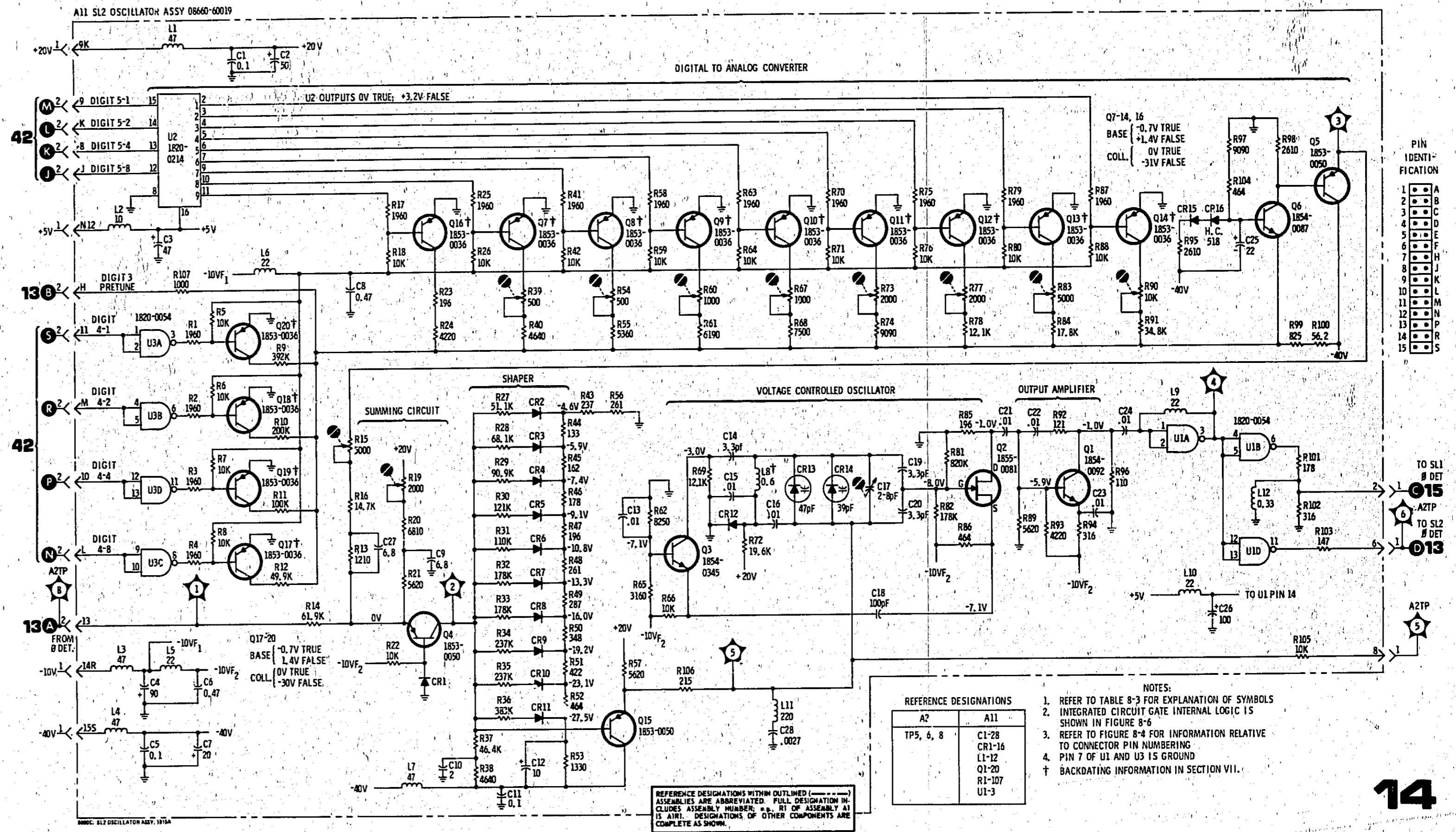


Figure 8-47. SL2 VCO Schematic

SERVICE SHEET 15

SUMMING LOOP 1 PHASE DETECTOR A15

Normally, causes of malfunctions in the Model 8660C will be isolated to a circuit board or assembly as a result of performing the tests specified in the troubleshooting trees.

The A15 assembly, a part of the three-assembly SL1, is shown schematically and described on this Service Sheet. The SL1 Oscillator Assembly (A19) is shown schematically and described on Service Sheet 17. The SL1 Mixer and D/A Converter Assembly (A18) is shown schematically and described on Service Sheet 16.

When trouble has been isolated to the A15 assembly it should be removed and reinstalled using two extender boards. This will provide easy access to test points and components.

NOTE

After making repairs to any part of the SL1 circuits the adjustment procedures in Section V paragraph 5-33 should be performed to ensure proper operation of the instrument.

TEST EQUIPMENT REQUIRED (See Table 1-2)

Oscilloscope (with 10:1 divider probes)
Digital Voltmeter
Frequency Counter

SUMMING LOOP 1 GENERAL

The purpose of Summing Loop 1 (SL1) is to generate digitally controlled RF signals in the range of 20,000,001 to 30,000,000 MHz in selectable increments as low as 1 Hz. The SL1 voltage controlled oscillator is phase locked to the divided by one hundred output of the SL2 loop and the difference frequency of the N1 loop and the SL1 oscillator. The output of SL1 is applied to the RF Section plug-in.

PHASE DETECTOR ASSEMBLY A15

There are two signal inputs to the phase detector assembly. One is the input from the SL2 loop which is shaped by U10D and divided by 100 by U6 and U5. The output of U5 is again shaped by Q5 and U4A to provide negative-going pulses at TP2. The other input to the phase detector is from the SL1 mixer and is the difference frequency between the N1 oscillator and the SL1 voltage controlled oscillator. Q6, U4B, Q4 and U4C shape the signal and provides negative-going pulses at TP3.

The pulse frequency at TP2 and TP3 varies (depending on programming) from 0.200001 to 0.300000 MHz. When the phase lock loop is locked the pulse frequency is the same at TP2 and TP3. The sampling ratio is 1:1.

U9A, U3B, U4D and U9B comprise coincidence gates which inhibit signals which appear simultaneously at TP2 and TP3. Normally, when signals are not present, TP2 and TP3 are both high.

When a signal appears at TP2, U9A pin 3 and U3B pin 4 go high. If there is no signal at TP3, U3B pin 5 is also high; U3B pin 6 goes low and U3C pin 8 goes high. The positive pulse at TP4 drives the clock generator and the sense circuit or the phase detector.

When a signal appears at TP3, U4D pin 11 and U9B pin 5 go high. If there is no signal at TP2, U9B pin 4 is also high; U9B pin 6 goes low and U9D pin 11 goes high. The positive pulse at TP8 drives the clock generator and the sense circuit or the phase detector.

When signals appear simultaneously at TP2 and TP3, U9B pin 4 and U3B pin 5 go low; U9B pin 6 and U3B pin 6 remain high and the signals cannot reach TP4 or TP8.

U7C, U9C, U3D and U3A comprise a clock generator which clocks U2A and U2B each time a signal appears at TP4 or TP8. With no signals present TP4 and TP8 are low. When a positive pulse appears at TP8, U9C pin 8 goes low, U3D pin 11 goes high and a negative-going pulse appears at TP5. When a positive pulse appears at TP4 operation of the circuit is the same except that U7C pin 8 (rather than U9C pin 8 goes low). Since a clock

SERVICE SHEET 15 (Cont'd)

pulse is generated for each input, the clock pulse frequency at TP5 is the sum of the pulse frequencies at TP4 and TP8. U2A and U2B are clocked by the positive-going trailing edge of the negative clock pulses.

Since the sense circuit does not function when the loop is locked, operation of the phase detector will be described first.

When the loop is phase locked U2A \bar{Q} is held high to enable U1A and U1B. Assume that initially U2B \bar{Q} is high U1D pin 11 is low and U1C pin 8 is high. When a positive pulse from TP8 appears at U1A pin 1, U1A pin 3 goes low and causes a change in state of flip/flop U1D/U1C: U1D pin 11 goes high and U1C pin 8 goes low. The high at U1D pin 11 sets the D input to U2B and the clock pulse causes U2B \bar{Q} to go high. The following positive pulse at TP4 is applied to U1B pin 5, U1B pin 6 goes low and changes the state of flip/flop U1D/U1C. U1D pin 11 goes low and the clock pulse causes U2B \bar{Q} to again go high. This sequence continues as long as the pulses at TP4 and TP8 alternate.

The signals at TP4 and TP8 are applied to the sense circuit even when the loop is phase locked. They have no effect on the circuit because of the relationship between the Q and \bar{Q} outputs of U2B to the incoming signals.

When U2B is high, NAND gates U8A and U8C are enabled. When the signal from TP4 appears at U8C pin 9, U8C pin 8 goes low; flip/flop U7A/U7B does not change state because U7B pin 3 is low. The signal at U8B pin 4 has no effect because U2B \bar{Q} and U8B pin 5 are low.

When two or more consecutive pulses from either input (TP4 or TP8) occur between pulses from the other input, the sense circuit function to disable the phase detector until the frequency error has been corrected.

As an example of circuit operation, assume that two pulses from TP8 are received between two pulses from TP4, indicating that the SL1 frequency is too high. When the first pulse from TP8 is received U1A pin 3 goes low; U1D pin 11 goes high to set the D input to U2B and the clock pulse causes U2B \bar{Q} to go high. When the second consecutive pulse is received from TP8, U8A has been enabled by the high \bar{Q} output of U2B. U8A pin 3 goes low and causes flip/flop U7A/U7B to change state. When the D input to U2A goes high, the clock pulse causes U2A \bar{Q} to go low and inhibit NAND gates U1A and U1B. If a third pulse from TP8 is received prior to receipt of a signal from TP4, U8A pin 3 will again go low but will not affect flip/flop U7A/U7B because U7A pin 13 is low.

When a pulse is received from TP4, U2B \bar{Q} is still high and U8C pin 8 will go low and change the state of flip/flop U7A/U7B. When the D input to U2A goes low the clock pulse will cause U2A \bar{Q} to go high and enable U1A and U1B. The propagation time of the signal through the sense circuit is long enough for the pulse from TP4 to have ended before U1B is enabled so the state of flip/flop U1D/U1C does not change.

The next pulse from TP8 will again cause U8A pin 3 to go low and change the state of flip/flop U7A/U7B. With the D input of U2A high again, the clock pulse causes U2A \bar{Q} to go low and inhibit U1A and U1B. The signal applied to U1A has no effect on flip/flop U1D/U1C because U1D pin 12 is low.

The sense circuit continues operation in the manner described above until two consecutive pulses are received at TP4 between two pulses at TP8. When this occurs the first pulse causes U8C pin 8 to go low and change the state of flip/flop U7A/U7B. With the D input to U2A low the clock pulse will cause U2A \bar{Q} to go high and enable NAND gates U1A and U1B. Because of the propagation time through the sense circuit, the pulse will have ended before U1B is enabled. The second consecutive pulse from TP4 again causes U8C pin 8 to go low, but because U7B pin 3 is now low, no change in state occurs in flip/flop U7A/U7B. Since U1B is enabled, U1B pin 6 goes low and causes flip/flop U1D/U1C to change state. With the D input of U2B low, the clock pulse will cause U2B \bar{Q} output to go high.

SERVICE SHEET 15 (Cont'd)

Phase lock has been achieved and the loop will remain locked as long as pulses at the same frequency are received alternately at TP4 and TP8.

When the SL1 frequency is too low, U2B \bar{Q} is low. When the SL1 frequency is too high, U2B \bar{Q} is high.

DC amplifier Q1, Q2, Q3 and associated components filter the \bar{Q} output of U2B and applies it to a summing circuit in the A19 assembly to precisely control the voltage controlled oscillator.

TEST PROCEDURE

Test 1-a. Connect the oscilloscope input to test points shown by composite waveform SS15-1. This composite waveform illustrates correct waveforms and timing relationships for the points tested. All signals are about 4 volts in amplitude.

NOTE

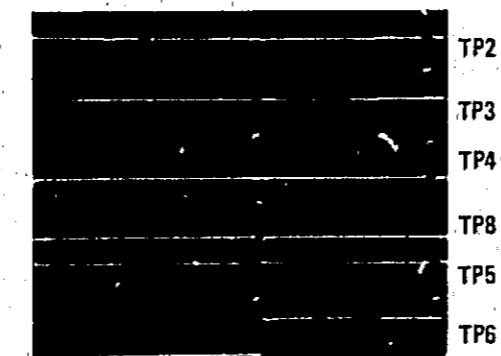
The oscilloscope was triggered from TP1 for all waveforms.

If the pulses are not present at TP2 proceed to test 1-b.

If the pulses are not present at TP3 proceed to test 1-c.

If the pulses are present at TP2 and TP3, but opposite polarity pulses are not present at TP4 and/or TP8, check the NAND gates between TP2 and TP4 or TP3 and TP8 as appropriate.

If the positive-going pulses are present at TP4 and TP8, but negative-going pulses are not present at TP5 for each of the pulses, check NAND gates U3A, U3D, U7C, and U9C as appropriate.



Composite Waveform SS15-1

If the pulses are approximately as shown in the top five traces of composite waveform SS15-1 but there is no square wave at TP6, use the oscilloscope to check the signal at NAND gate U1D pin 11. The display should be the same as that shown for TP6. If the signal is present, U2B is probably defective.

If the signal is not present at U1D pin 11 use the oscilloscope to check the signals at NAND gates U1A pin 3 and U1B pin 6. The signals should appear as they did at TP4 and TP8 except that they are inverted. If the signals are present, U1C or U1D may be defective. If the signal is present at one of the NAND gates but not at the other, replace U1.

If the signal is not present at U1A pin 3 or U1B pin 6, use the digital voltmeter to check the dc level at U2A pin 6. If U2A pin 6 is about +4 volts, U1 is defective.

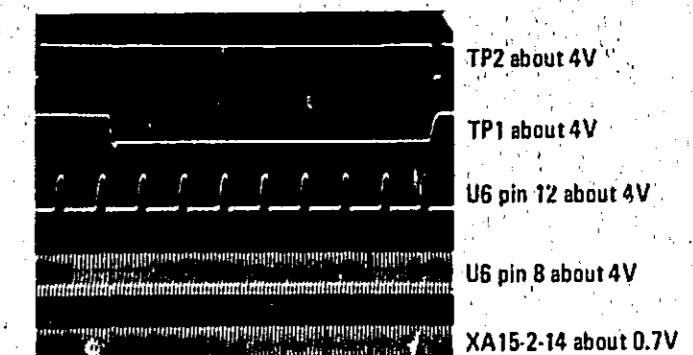
If the +4 volts is not present at U2A pin 6, ground U2A pin 1. If the voltage at U2A pin 6 does not go to about +4 volts, U2 is defective.

SL2 VCO
SERVICE SHEET 14

SERVICE SHEET 15 (Cont'd)

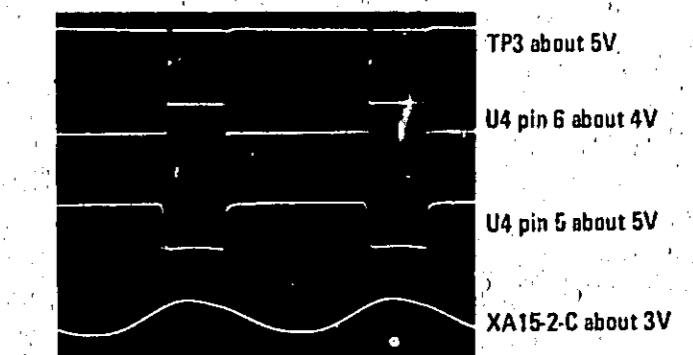
If the cause of trouble still has not been found, connect the counter to TP3 and the digital voltmeter and oscilloscope to NAND gate U7A pin 12. The counter readout should be about 300,000 kHz (center frequency set to zero) and U7A pin 12 should be low (about +70 millivolts). If the counter readout is lower or higher than 300 kHz and U5A pin 12 is high, slowly rotate A15R14 through its range while observing the counter and the oscilloscope. As the counter readout passes through the 300 kHz point the oscilloscope display should show a change in level; if it does not, U7 or U8 is probably defective.

Test 1-b. If there is no signal at TP2 or the signal is not approximately as shown in the top trace of composite waveform SS15-2, connect the oscilloscope first to TP2, then U6 pin 12, U6 pin 8 and finally to XA15-2-14. In making the checks in the order shown, the point at which the correct signal is first observed is followed by the defective circuit. If the signal is not present at XA15-2-14, check the interconnections to the SL2 loop and, if necessary, the SL2 loop.



Composite Waveform SS15-2

Test 1-c. If there is no signal at TP3 or the signal is not approximately as shown in the top trace of composite waveform SS15-3 connect the oscilloscope first to U4 pin 6, then to U4 pin 4 or 5 and finally to XA15-2-C.



Composite Waveform SS15-3

In making the checks in the order shown, the point at which the signal is first observed is followed by the defective circuit. If the signal is not present at XA15-2-C check the interconnections to the A18 assembly and, if necessary, the A18 assembly.

Test 1-d. To check operation of the dc amplifier connect the digital voltmeter to Q3-e, ground TP7, and rotate A15R14 through its range. The digital voltmeter readout should vary from about -1.5 volts to about +1.5 volts. If the voltage does not vary as A15R14 is adjusted, check Q1, Q2, Q3 and associated components.

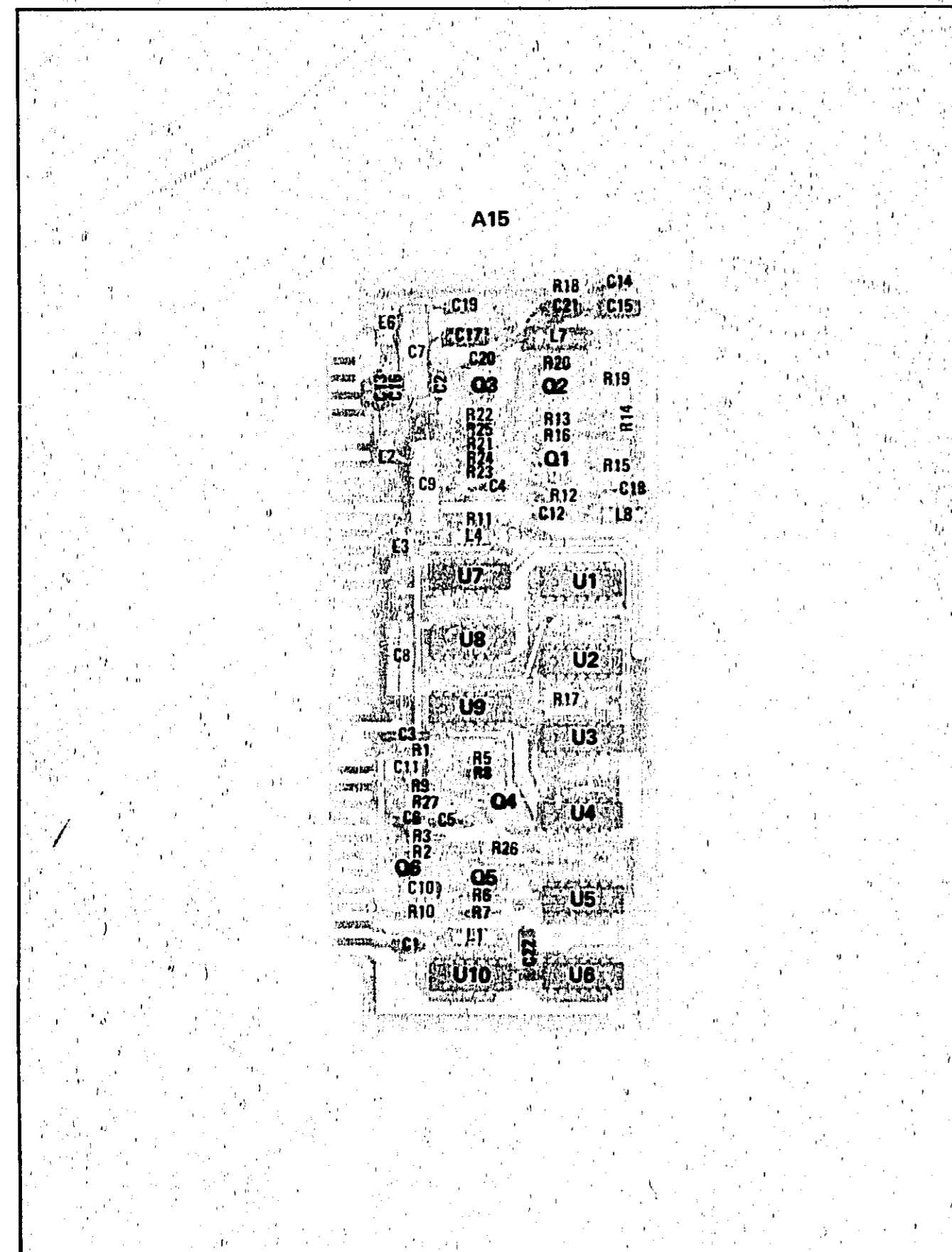


Figure 8-48. A15 SL1 Phase Detector Component Locations

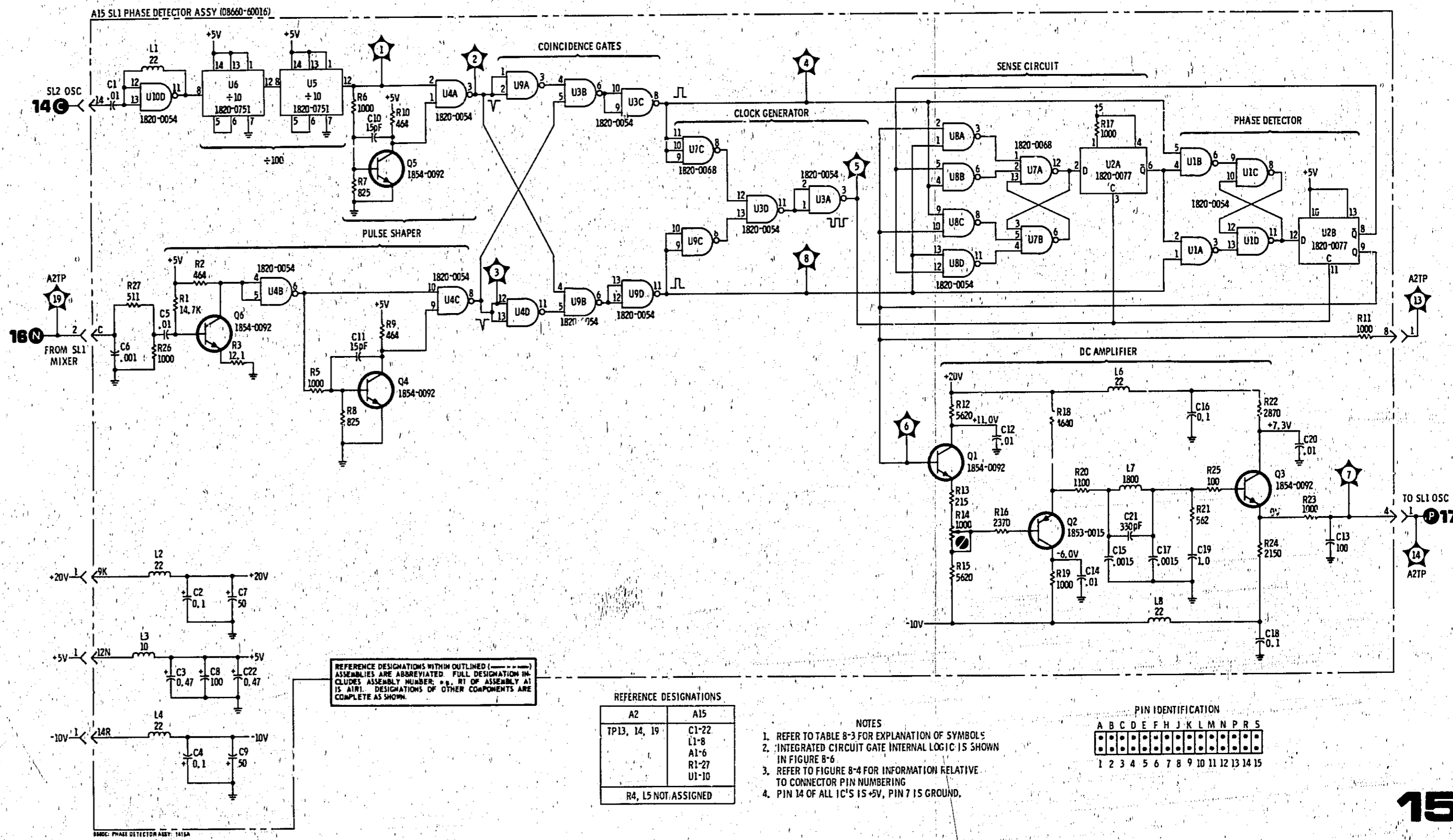


Figure 8-49. SL1 Phase Detector Schematic

SERVICE SHEET 16

SUMMING LOOP 1 MIXER AND D TO A CONVERTER A18

Normally, causes of malfunctions in the Model 8660C will be isolated to a circuit board or assembly as a result of performing the tests specified in the troubleshooting trees.

The A18 assembly, a part of the three-assembly SL1, is shown schematically and described on this Service Sheet. The SL1 Phase Detector Assembly (A15) is shown schematically and described on Service Sheet 15. The SL1 Oscillator Assembly (A19) is shown schematically and described on Service Sheet 17.

When trouble has been isolated to the A18 assembly it should be removed and reinstalled using two extender boards. This will provide easy access to test points and components.

NOTE

After making repairs to any part of the SL1 circuits the adjustment procedures in Section V paragraph 5-33 should be performed to ensure proper operation of the instrument.

TEST EQUIPMENT REQUIRED (See Table 1-2)

Oscilloscope (with 10:1 divider probes)
Digital Voltmeter
Frequency Counter

SUMMING LOOP 1 GENERAL

The purpose of Summing Loop 1 (SL1) is to generate digitally controlled RF signals in the range of 20.000001 to 30.000000 MHz in selectable increments as low as 1 Hz. The SL1 voltage controlled oscillator is phase locked to the divided by one hundred output of the SL2 loop and the difference frequency of the N1 loop and the SL1 oscillator. The output of SL1 is applied to the RF Section output plug-in.

MIXER AND AMPLIFIERS

E1 is a double balanced mixer which mixes the output of the SL1 voltage controlled oscillator with the output of the N1 loop and provides an output which is the difference frequency of the two inputs.

Q1 and Q1 amplify the input from the SL1 voltage controlled oscillator.

Q2, Q15, Q18 and associated components amplify the output from the mixer, before applying it to the phase detector circuit in the A15 assembly.

TEST PROCEDURE

Test 1-a. With the center frequency set to zero use the counter and the oscilloscope to check for the following (approximately sine wave) signals:

TP5 300.000 kHz at about 4 volts p/p
TP4 (oscilloscope only) 300 kHz at about 0.1 volt p/p
TP3 29.700000 MHz at about 0.5 volt p/p
Q1-e 30.000000 MHz at about 1.1 volt p/p
TP2 30.000000 MHz at about 0.5 volts p/p

SL1 Phase Detector
SERVICE SHEET 15

SERVICE SHEET 16 (Cont'd)

DIGITAL TO ANALOG CONVERTER

U3 is a decoder which converts the BCD inputs from digit 7 to an output that will turn on one of nine transistors in a resistive network. Quad NAND gates U2 and U1 turn on one or more transistors connected to their outputs in a resistive network. U2 and U1 are controlled by digits 6 and 5 respectively.

The current flow through Q4 and the bias for Q3 is determined by which of the transistors in the resistive network are saturated. The dc level at TP1 is determined by which transistors are on. This dc level is applied to a summing circuit in the A19 assembly and used to roughly pretune the voltage controlled oscillator. When the BCD input is 000 the dc level at TP1 is about -25 volts. When the BCD input is 999 the dc level is about -5 volts.

TEST PROCEDURE

Test 2-a. Connect the digital voltmeter to TP1 and the counter to TP5. Refer to Table 8-49 for CF settings, counter readouts, and approximate voltage levels.

NOTE

The voltage readings are typical and may vary greatly from that shown due to differences in varactor characteristics. The important point to note is the ratio of change as the center frequency is changed.

If the voltage ratio changes about as shown but the frequency requirements are not met, trouble is probably in the oscillator assembly or the phase detector assembly.

Table 8-49: SL1 Frequency Versus Voltage Chart

Center Frequency	Frequency TP5	Voltage TP1
0000000 Hz	300.000 kHz	-25.5 V
1110000 Hz	290.000 kHz	-23.4 V
2220000 Hz	280.000 kHz	-21.0 V
3330000 Hz	270.000 kHz	-18.8 V
4440000 Hz	260.000 kHz	-16.6 V
5550000 Hz	250.000 kHz	-14.3 V
6660000 Hz	240.000 kHz	-12.1 V
7770000 Hz	230.000 kHz	-9.9 V
8880000 Hz	220.000 kHz	-7.7 V
9990000 Hz	210.000 kHz	-5.4 V
9999999 Hz	200.000 kHz	-5.4 V

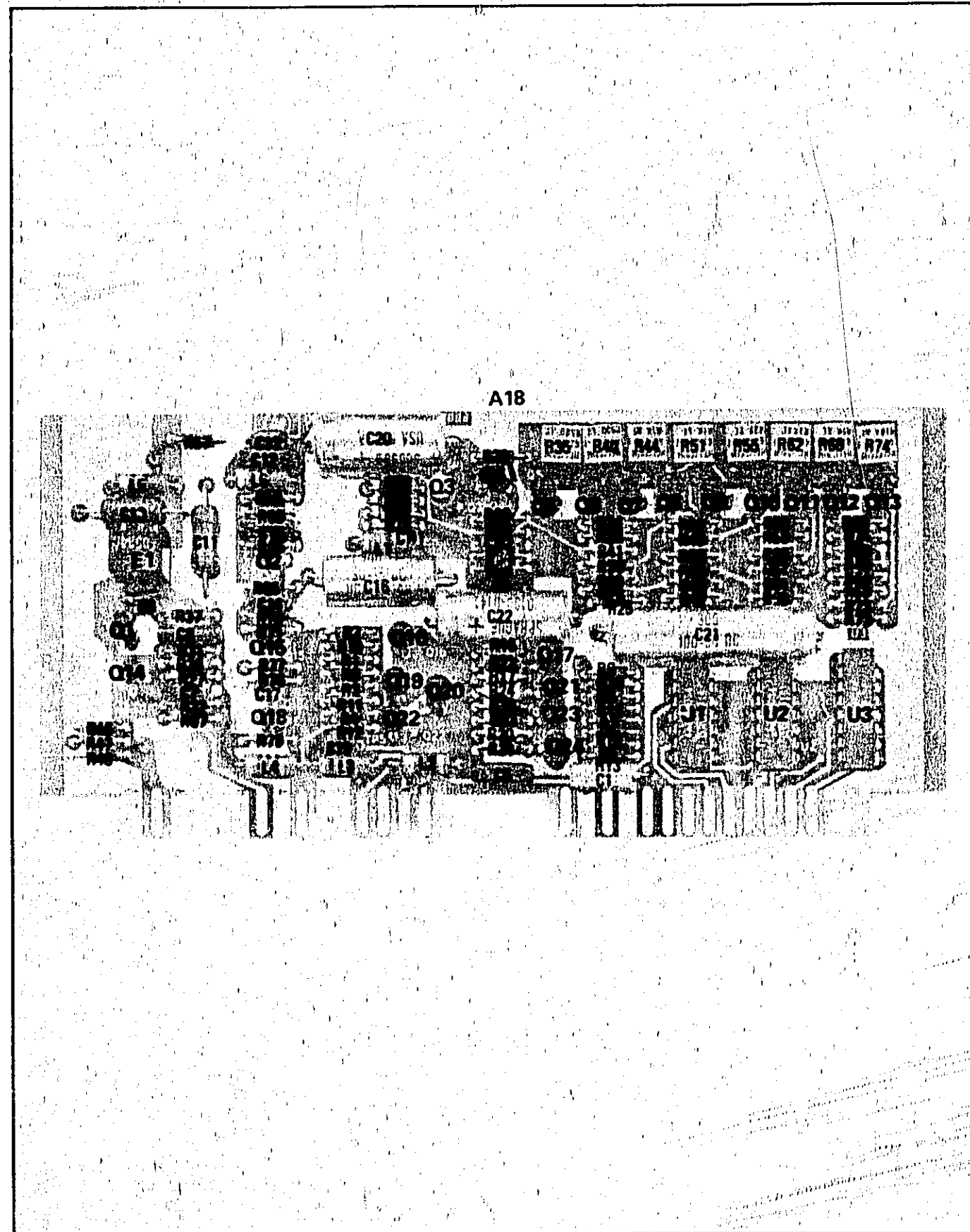


Figure 8-50. A18 SL1 Mixer and D/A Converter Component Locations

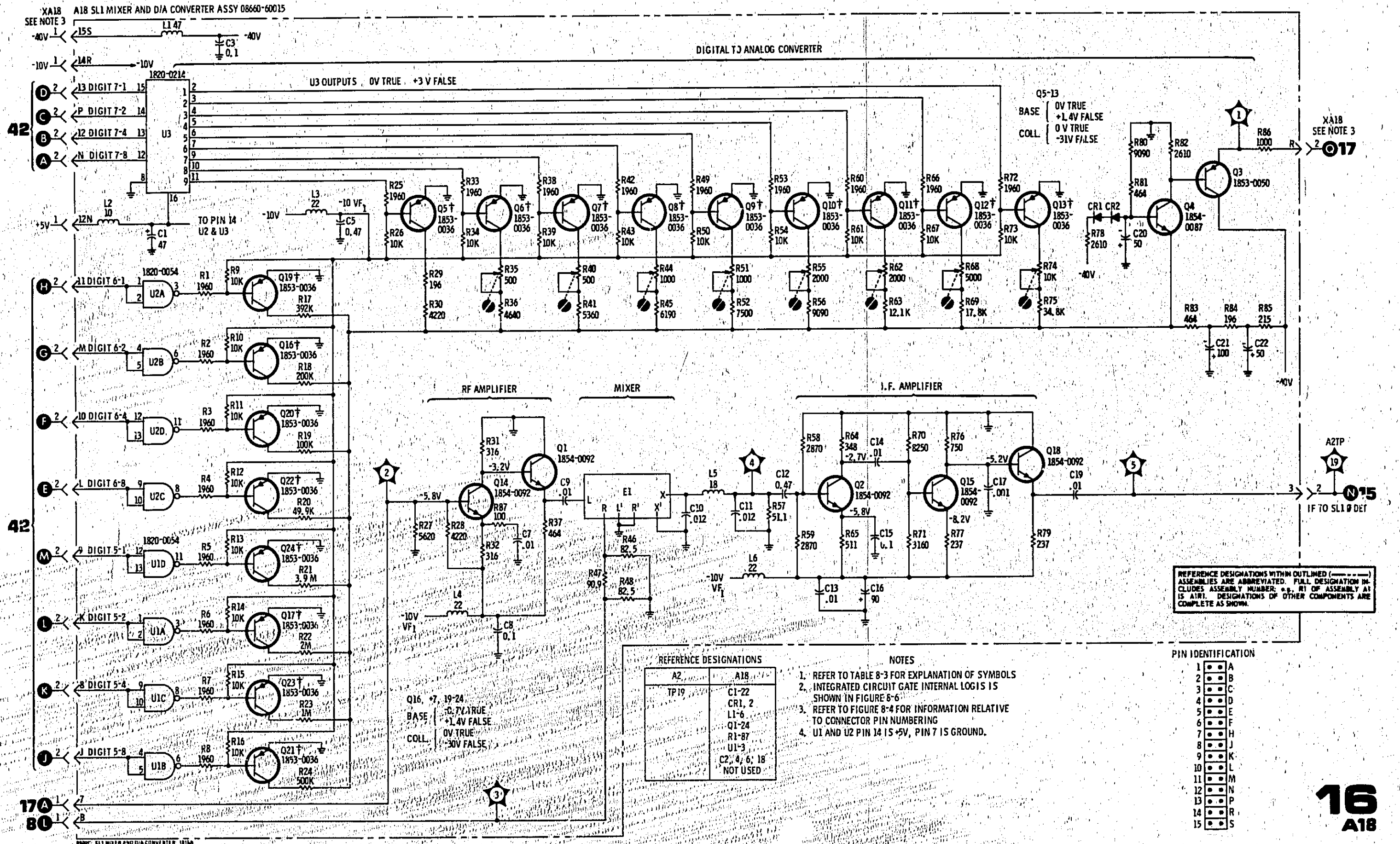


Figure 8-51. SL1 Mixer and D/A Converter Schematic

SERVICE SHEET 17

SUMMING LOOP 1 OSCILLATOR A19

Normally, causes of malfunctions in the Model 8660C will be isolated to a circuit board or assembly as a result of performing the tests specified in the troubleshooting trees.

The A19 assembly, a part of the three-assembly SL2, is shown schematically and described on this Service Sheet. The SL1 Mixer and D/A Converter Assembly (A18) is shown schematically and described on Service Sheet 16. The SL1 Phase Detector Assembly (A15) is shown schematically and described on Service Sheet 15.

When trouble has been isolated to the A19 assembly it should be removed and reinstalled using two extender boards. This will provide easy access to test points and components.

NOTE

After making repairs to any part of the SL1 circuits the adjustment procedures in Section V paragraph 5-33 should be performed to ensure proper operation of the instrument.

TEST EQUIPMENT REQUIRED (See Table 1-2)

- Oscilloscope (with 10:1 divider probes)
- Digital Voltmeter
- Frequency Counter

SUMMING LOOP 1 GENERAL

The purpose of Summing Loop 1 (SL1) is to generate digitally controlled RF signals in the range of 20,000,001 to 30,000,000 MHz in selectable increments as low as 1 Hz. The SL1 voltage controlled oscillator is phase locked to the divided by one hundred output of the SL2 loop and the difference frequency of the N1 loop and the SL1 oscillator. The output of SL1 is applied to the RF Section plug-in.

SUMMING AMPLIFIER

Q6 is a summing amplifier which combines the output of the digital to analog converter and the signal from the SL1 phase detector. The summing point (Q6-e) sums the current from three sources; a current source from the +20 volt supply through R9, R10 and R11, a negative source from the digital to analog converter through R3, R7 and R68, and the signal from the SL1 phase detector through R6. The dc level at the summing point is held at zero volts.

When the input at XA19-2-J is about -25 volts (all BCD inputs to A18 low) most of the current from the +20 volt source flows through A18Q3; very little flows through Q6. Under these conditions the voltage at Q6-c is about -30 volts. As the voltage at XA19-2-J decreases (becomes less negative), less current flows through A18Q3, more flows through Q6, and the voltage at Q6-c decreases (becomes less negative).

SERVICE SHEET 17 (Cont'd)

CR1 through CR10 and associated resistors are used to shape the voltage curve applied to the voltage controlled oscillator tuning varactors to ensure that frequency change is linear with voltage change. The voltage at the junction of R32 and R39 is about -27.5 volts. When all BCD input to the A18 assembly are low, Q6-c is about -30 volts and all of the diodes in the shaper are reverse biased. As the voltage from the digital to analog converter decreases (gets closer to -5 volts) current through Q6 increases and the Q6 collector voltage decreases. As the Q6-c voltage decreases first CR10, then CR9, etc. are forward biased. As the diodes are forward biased resistors are added in parallel with R35 and R38 to shape the voltage curve to the varactors. Q7 provides a low impedance output to drive the varactors.

TEST PROCEDURE

Test 1-a. Connect the digital voltmeter to TP1 and set the center frequency as shown in Table 8-50.

NOTE

The voltage readings are typical and may vary greatly from that shown due to differences in varactor characteristics. The important point to note is the ratio of change as the center frequency is changed.

If the voltage at TP1 does not change as the CF are changed check the input from the digital to analog converter (A18) at XA19-2-J. If the voltage levels at this point do not change as the CF is changed, trouble is probably in the A18 assembly.

If the voltage level from the digital to analog converter does change, but the level at TP1 does not, check Q6, C₁ and associated components.

VOLTAGE CONTROLLED OSCILLATOR AND AMPLIFIERS

Q5, Q4 and associated components comprise a voltage controlled oscillator. C17, C20 and C21 provide isolation for the dc levels required to bias the varactors. C19 provides the feedback necessary to sustain oscillation. The resonant tank circuit is coupled to Q4 by capacitive divider C20 and C21. The FET acts as a source follower in the feedback circuit; it provides a high impedance at the gate and a low impedance at the source.

Q3 is a power splitter which drives two two-stage amplifiers. One amplifier output is applied to the RF Section plug-in and the other is applied to the mixer in the A18 assembly.

TEST PROCEDURE

Test 2-a. Connect the oscilloscope to TP3 then to TP4. The sine wave at both test points should be about 0.3 volts p/p.

Service

SERVICE SHEET 17 (Cont'd)

If the signal is not present at either TP3 or TP4 connect the oscilloscope to Q3-b. The signal level should be about 0.2 volts p/p. If the signal is present at Q3-b but was not present at TP3 or TP4, Q3 is probably defective. If the signal is not present at Q3-b, check Q5, Q4 and associated components.

Test 2-b. Connect the counter to TP3 or TP4 and check for correct frequencies at the CF shown in Table 8-50.

Table 8-50. Varactor Bias Versus Frequency SL1

Center Frequency	Frequency TP3 or TP4	Voltage TP1
0000000 Hz	30.000000 MHz	-30.7 V
1110000 Hz	28.890000 MHz	-25.3 V
2220000 Hz	27.780000 MHz	-21.2 V
3330000 Hz	26.670000 MHz	-17.2 V
4440000 Hz	25.560000 MHz	-13.4 V
5550000 Hz	24.450000 MHz	-10.6 V
6660000 Hz	23.340000 MHz	-8.2 V
7770000 Hz	22.230000 MHz	-6.3 V
8880000 Hz	21.120000 MHz	-4.7 V
9990000 Hz	20.010000 MHz	-3.3 V
9999999 Hz	20.000001 MHz	-3.2 V

**SERVICE
INFORMATION
CON'T**

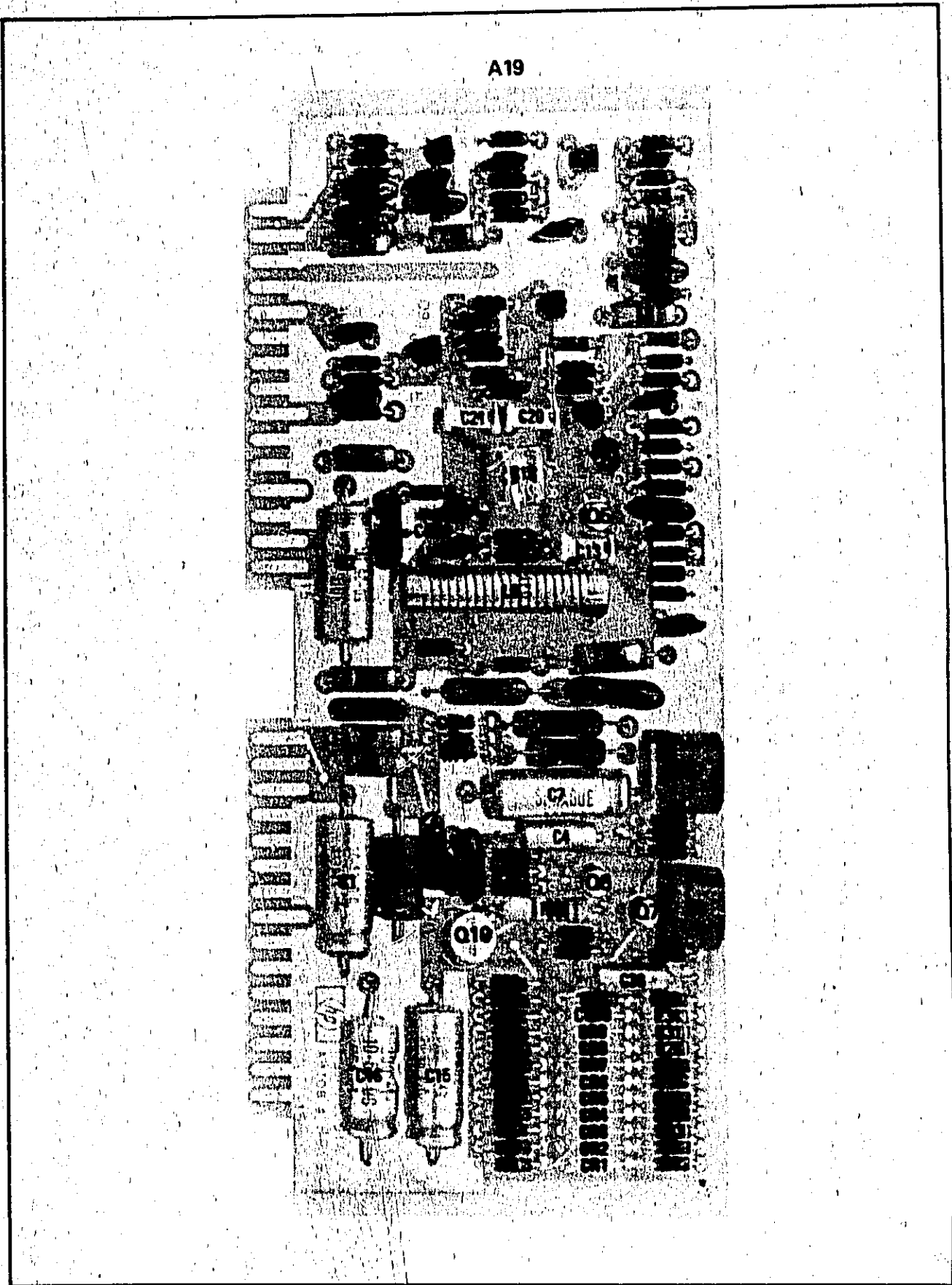
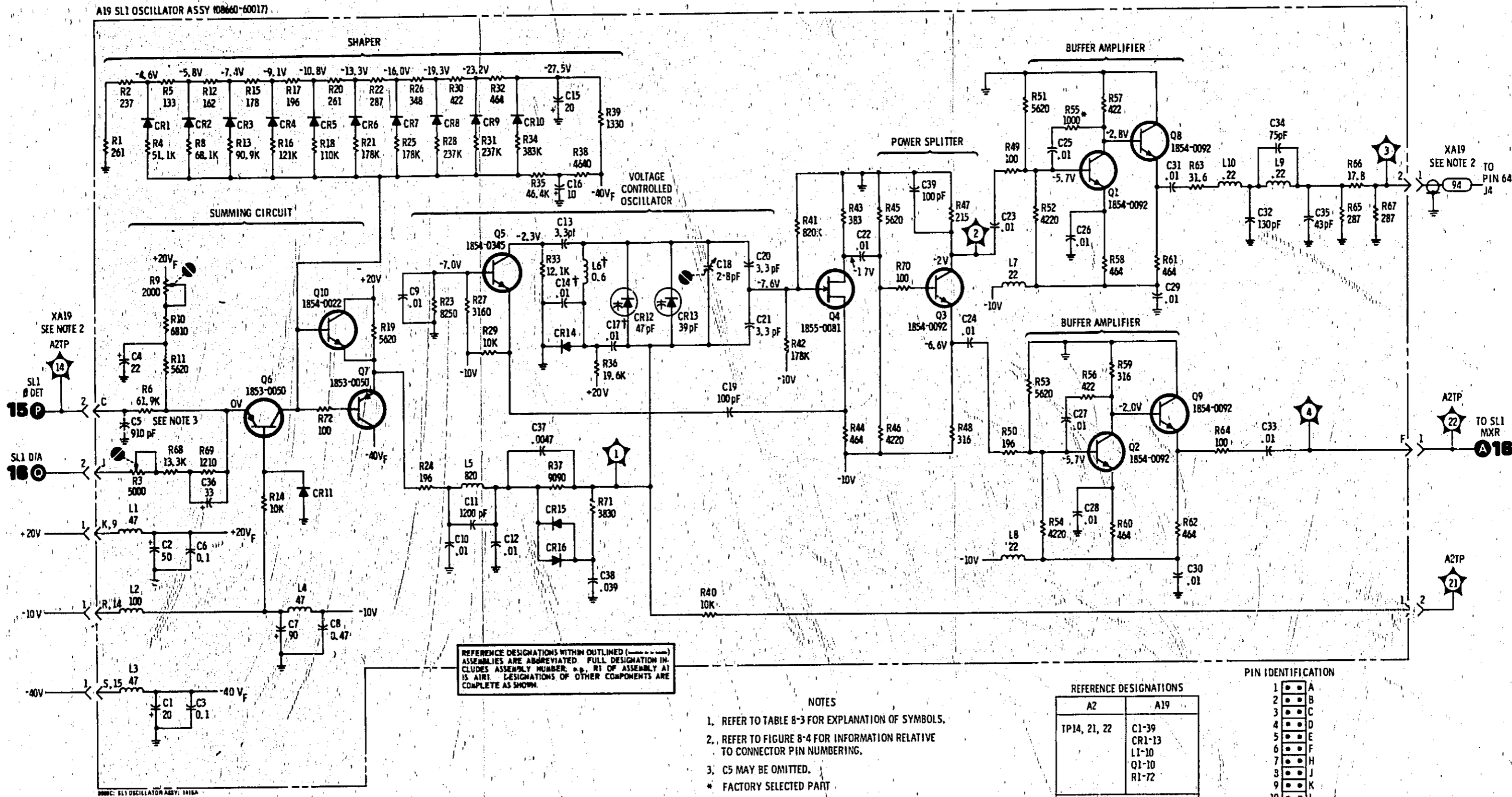


Figure 8-52. A19 SL1 VCO Component Locations

A19 SL1 OSCILLATOR ASSY (08660-60017)



REFERENCE DESIGNATIONS WITHIN OUTLINED (---) ASSEMBLIES ARE ABBREVIATED. FULL DESIGNATION INCLUDES ASSEMBLY NUMBER, e.g., R1 OF ASSEMBLY A1 IS A1R1. DESIGNATIONS OF OTHER COMPONENTS ARE COMPLETE AS SHOWN.

- NOTES
1. REFER TO TABLE 8-3 FOR EXPLANATION OF SYMBOLS.
 2. REFER TO FIGURE 8-4 FOR INFORMATION RELATIVE TO CONNECTOR PIN NUMBERING.
 3. C5 MAY BE OMITTED.
- * FACTORY SELECTED PART
 † BACKDATING INFORMATION IN SECTION VI1.

REFERENCE DESIGNATIONS	
A2	A19
TP14, 21, 22	C1-39 CR1-13 L1-10 Q1-10 R1-72
R7 NOT USED	

PIN IDENTIFICATION

1	A
2	B
3	C
4	D
5	E
6	F
7	H
8	J
9	K
10	L
11	M
12	N
13	P
14	R
15	S

Figure 8-53. SL1 VCO Schematic

SERVICE SHEET 18

DCU BLOCK DIAGRAM

GENERAL

The DCU (Digital Control Unit) controls all functions of the mainframe in the local mode of operation. In addition, in the remote mode of operation, the DCU displays the selected center frequency (CF) and processes the programming data to control all functions of the mainframe and the plug-in sections.

The DCU is a bus oriented system with three major buses.

All of the data from the keyboard shift register (KYBD SR), the Arithmetic Logic Unit (ALU) and the CF register is routed through the T bus to their destination(s).

The R bus couples the outputs of the CF and A registers to the ALU on command.

The S bus couples the outputs of the step and sweep width registers, and the output of a read-only-memory (ROM) to the ALU on command.

The following information describes, in general terms, the overall operation of the various functions of the DCU. More detailed information to the circuit level appears on the foldout page opposing the schematic diagrams of the individual circuits.

KEYBOARD

The keyboard (KYBD) assembly consists of 20 non-contacting keys and a circuit board containing 20 printed circuit transformers. The transformer secondaries are series connected and the primaries are connected in series pairs. The transformer windings in each pair are oppositely paired. Each pair of the transformers are controlled by one numeral (0-9) key and one function (D.P., CF, MHz, etc.) key. A 100 kHz clock controls scanning of the transformer pairs.

When a key is pressed, a spring loaded, metal disc closely coupled to the transformer changes the mutual inductance between the primary and secondary of the corresponding transformer. The key detect and encode circuit in the A1A2 keyboard control assembly then determines which key of the pair has been pressed.

The keyboard is shown schematically on Service Sheet 21.

KEYBOARD CONTROL ASSEMBLY

Key Detect and Encode. The keyboard control assembly provides a train of 100 kHz pulses to the ten key-pair transformers on the keyboard. The keyboard pairs are strobed successively in the scanning process. When a key is pressed the scanning is stopped until the key is released.

During the period of time that scanning is stopped, the key detect and encode circuit determines which key of the pair has

SERVICE SHEET 18 (Cont'd)

been pressed and furnishes outputs to MPX I (multiplexer I) or to the qualifier select circuits on the A1A4 assembly. Numerical information goes to MPX I and all other information goes to A1A4.

Keyboard Register and Multiplexers. In order to simplify the following discussion the multiplexers in the keyboard control assembly are referred to as MPX I, MPX II and MPX III. Each of the multiplexers has four-line inputs to points labeled I₀ and I₁. The input to be used is determined by the level at the I_S selector line, i.e., a high level, logic 1, would select the I₁ inputs.

In the local mode, K₀ register and the KYBD SR function as a four-bit, eleven digit, recirculating shift register. The purpose of recirculating the BCD information is to ensure that when all data is stored in the KYBD SR, the least significant digit is stored in a position to be the first digit shifted out of the register.

Operation of the circuit is as follows (example entry is 12.345678 MHz); KYBD key 1 is pressed first and the BCD information (0001) is coupled through MPX I to be stored in K₀. The KYBD SR is then clocked by a burst of ten clock pulses and the BCD information is shifted to the least significant digit position in the KYBD SR.

The second KYBD entry, a 2 (0010) is clocked into K₀. A burst of ten clock pulses again transfers the K₀ data to the least significant digit of the KYBD SR. Now, however, there is an input to MPX I, I₁, which is clocked into K₀; this entry, BCD 0001, follows the BCD 0010 information through to the KYBD SR. When the burst of ten clock pulses ends, the BCD 0010 data is stored in the KYBD SR least significant storage and the BCD 0001 data is stored in the next least significant digit storage.

The third keyboard entry, for the example used, is a decimal point (DP) which does not directly affect the KYBD SR. The DP information is applied to the qualifier select circuit in the A1A4 assembly.

The fourth keyboard entry, for the example used, a 3 (0011) is processed in the same manner as the first and second entries. At the end of the burst of ten clock pulses the information stored in the KYBD SR is 000000123.

NOTE

If the KYBD pushbutton is now pressed the CF readout will display 12.3.

The remaining keyboard entries are processed in the same manner as entries 1, 2 and 4. When all information has been entered the KYBD SR data will be 0012345678. If the KYBD pushbutton is pressed the CF readout will display 12.345678.

SERVICE SHEET 18 (Cont'd)

The last keyboard entry (in the example an 8, BCD1000), will be the first digit clocked out when the data is transferred to another shift register.

When information is clocked out of the KYBD SR it is also recirculated through MPX III and clocked back into the KYBD SR. In the local mode the information is retained in the KYBD SR until the keyboard is cleared or a new data entry is made.

In the remote mode, MPX III I₀ inputs are enabled by the RMT CMND-L line which goes low on command. Information from the mainframe interface circuits is applied to MPX III I₀ inputs with the least significant digit first. Data is entered in the KYBD SR until all required data is entered.

It should be noted that when the information in the KYBD SR is clocked out in the remote mode, it is again coupled back to MPX I and MPX III. This feedback is coupled through MPX I to K₀ but cannot affect the KYBD SR because MPX II I₁ is selected. Since MPX III I_S is low only when remote data is being programmed in from an external source, the feedback flows through MPX III and MPX II to recirculate the information in the KYBD SR. When the data is stored in a final register the KYBD SR is cleared.

The output from the KYBD SR is applied to the A1A6 register assembly.

Refer to Service Sheets 19, 20, and 32 for more detailed information regarding these circuits.

REGISTER ASSEMBLY

The A1A6 assembly contains the CF, STEP, SWEEP WIDTH and M registers.

The data inputs to the A1A6 assembly consist of inputs from the KYBD SR and the ALU. Most instructions are received from the A1A5 ROM output assembly.

The BCD inputs from the KYBD SR are applied to two sets of gates. If these BCD inputs are data inputs for the plug-in sections, the gates are enabled by the input ST01-H, and the data is transferred to the appropriate register in the addressed plug-in section.

If the information stored in the KYBD SR is not for the plug-in sections, gates may be enabled by KTT-H to couple the information to the T bus. Simultaneously, the information on the T bus is clocked into one, or more, of the shift registers on the A1A3 or A1A9 assembly as well as the A1A6 assembly.

Most of the registers are preceded by multiplexers. These multiplexers may be an integral part of the register integrated circuit or a separate integrated circuit.

When new information is present on the T bus, one set of multiplex gates is enabled to couple the information to the

SERVICE SHEET 18 (Cont'd)

register. When information is being clocked out of a register, the other set of multiplexer gates are enabled to recirculate the information to the register. This ensures that register information is retained for future use without re-programming.

Center Frequency (CF) Register

The CF register is the only register that feeds its output back to the T bus. This output to the T bus, which is coupled through gates enabled by CTT-H occurs when:

1. Entry of an out-of-range frequency has been attempted (state 3/8).
2. A frequency increment (STEP) has been added to or subtracted from, the center frequency (state 2/7).
3. The instrument has been switched from the sweep mode to the fixed frequency mode (state 2/9).
4. The readout is to display CF again after the readout has been used to display KYBD, STEP, or SWP WIDTH (state 1/8).

Refer to Service Sheet 29 for more detailed information about the CF register.

Step Register

Any frequency may be stored in the step register and added to, or subtracted from, the center frequency by the ALU. Since the step register is a recirculating register, the stored information may be used as many times as desired.

Refer to Service Sheet 30 for more detailed information about the step register.

Sweep Width Register

Any sweep width may be stored in the sweep width register. In the sweep mode the sweep width is centered on the center frequency. Example; CF 50 MHz, SWP WIDTH 50 MHz, RF output is swept from 25 to 75 MHz.

Refer to Service Sheet 30 for more detailed information about the sweep width register.

M Register and Limits

When CF data from the KYBD SR is first clocked to the T bus it is applied only to the M register. The M register and the frequency limits decoder then determine if the programmed frequency is within the limits of the RF Section in use.

The M register is a six digit register. Only the six most significant digits are required for limit detection.

SERVICE SHEET 18 (Cont'd)

The frequency limits decoder, in addition to the BCD inputs from the M register, has 16LIM and 13GL inputs. The 16LIM and 13GL inputs are decoded inputs from the RF Section plug-in which are used to select the frequency limits.

The frequency limits decoder controls operation of the OUT OF-RNG lamp and also provides Code 1 and Code 2 dc levels to the RF Section power amplifiers to operate two transistor switches to change the response time for output leveling.

After the M register and the frequency limits decoder have determined that the CF data is valid, the KYBD SR data is again clocked via the T bus into the CF, readout (RO) and A registers. The data is then clocked from the A register through the ALU via the R bus to the T bus and to A1A10, the output register.

Refer to Service Sheet 31 for a more detailed description of the M register and frequency limits circuit.

ARITHMETIC LOGIC UNIT (ALU)

The ALU, as the name implies, arithmetically manipulates the inputs from the other registers. The ALU may add, subtract, or allow the data to flow through without change. It also has a ROM (read-only-memory) which contains incrementing numbers used for the manual tune operation. The ROM may be used to cause the selected center frequency to be offset by any frequency within the range of the RF Section in use.

NOTE

Offset is a special option. The frequency offset must be specified, and the ROM programmed at the factory.

Refer to Service Sheet 32 for a more complete description of the ALU circuits.

OUTPUT REGISTER

The output register converts the serial BCD data from the T bus or the A register to parallel BCD data. This is referred to as parallel dump. The advantage of parallel dump over serial dump is that only those mainframe phase lock loops which are programmed for a different rf output lose phase lock. This improves switching time and avoids generation of unwanted frequencies.

Refer to Service Sheet 35 for a more detailed explanation of the output register circuit.

SWEEP COUNT ASSEMBLY

Shown directly under the ALU block is the sweep count assembly. The major function of this assembly is to keep track of the number of steps which have been taken in the sweep

Service

Model 8660C

SERVICE SHEET 18 (Cont'd)

operation. The three UP/DN counters have the capability of counting to 1000 steps. When the sweep is set to 100 steps the first UP/DN counter is bypassed and the count is 100.

When the sweep mode is selected, the sweep always starts at the center frequency. In the AUTO mode the frequency steps are always to a higher frequency. When the upper limit of the sweep range is reached, the sweep starts at the lower limit of the range and is stepped up in frequency until the upper limit is again reached.

In the manual (MAN) sweep mode the sweep may be stepped either up or down by use of the manual tuning control.

The D/A (digital to analog) output (0 to +8V) may be used as an input to X-Y recorders, oscilloscopes, etc.

For more complete details about the sweep count assembly refer to Service Sheet 33.

SWITCH CONTROL ASSEMBLY

The switch control assembly is shown at the far left side of the block diagram. This assembly provides seven clocks for use in various parts of the DCU. It also generates and stores qualifiers for all of the front panel controls except the keyboard numbers.

For a more complete description of the switch control assembly refer to Service Sheets 19 and 20.

ROM INPUT AND ROM OUTPUT ASSEMBLIES

The outputs of the seven state flip-flops control the qualifier select and seven of the address bits of the ROMs. When the eighth address bit is provided to the ROMs, the seven state flip-flops are set to the next state by the outputs of ROMs 1 and 2. ROM 2 also provides 1 output instruction and ROM 3 provides 4 output instructions.

Circuits are also provided to manually clock (single step) the DCU. When this feature is used, light emitting diodes verify the machine state.

NOTE

The term "machine state" refers to a given set of conditions at a given point in time. These states are shown in logical succession on the Algorithmic State Machine (ASM) Flow Chart on the last foldout sheet of this manual.

For a more complete description of circuit operation refer to Service Sheet 26.

The box labeled qualifier select in the ROM input assembly is shown schematically on Service Sheet 25. Multiple devices form a large selector circuit providing one output selected from 34 qualifier inputs. Seven inputs from the seven state flip-flops control the selection. The single output provides the eighth address bit to ROMs 1, 2 and 3.

For a more detailed description of circuit operation refer to Service Sheet 25.

The ROM output assembly contains a clock burst control which selects the number of pulses in the clock train, and a state decoder which converts the coded outputs of the seven state flip-flops to instructions.

For a more detailed description of the circuits refer to Service Sheets 27 and 28.

READOUT CONTROL ASSEMBLY

The major function of the A1A3 readout control assembly is to justify (position) the decimal point in the readout. The assembly also contains a 10 digit readout register which controls the ROMs in the readout assembly. Blanking of the leading zeros, and scanning of the register for the readout assembly is also provided.

For a more detailed description of the circuits in the readout control assembly refer to Service Sheets 23 and 24.

READOUT ASSEMBLY

The readout assembly contains two side by side solid state readouts. Both are 6 digit readouts.

For a more complete description of the readout assembly circuits refer to Service Sheet 36.

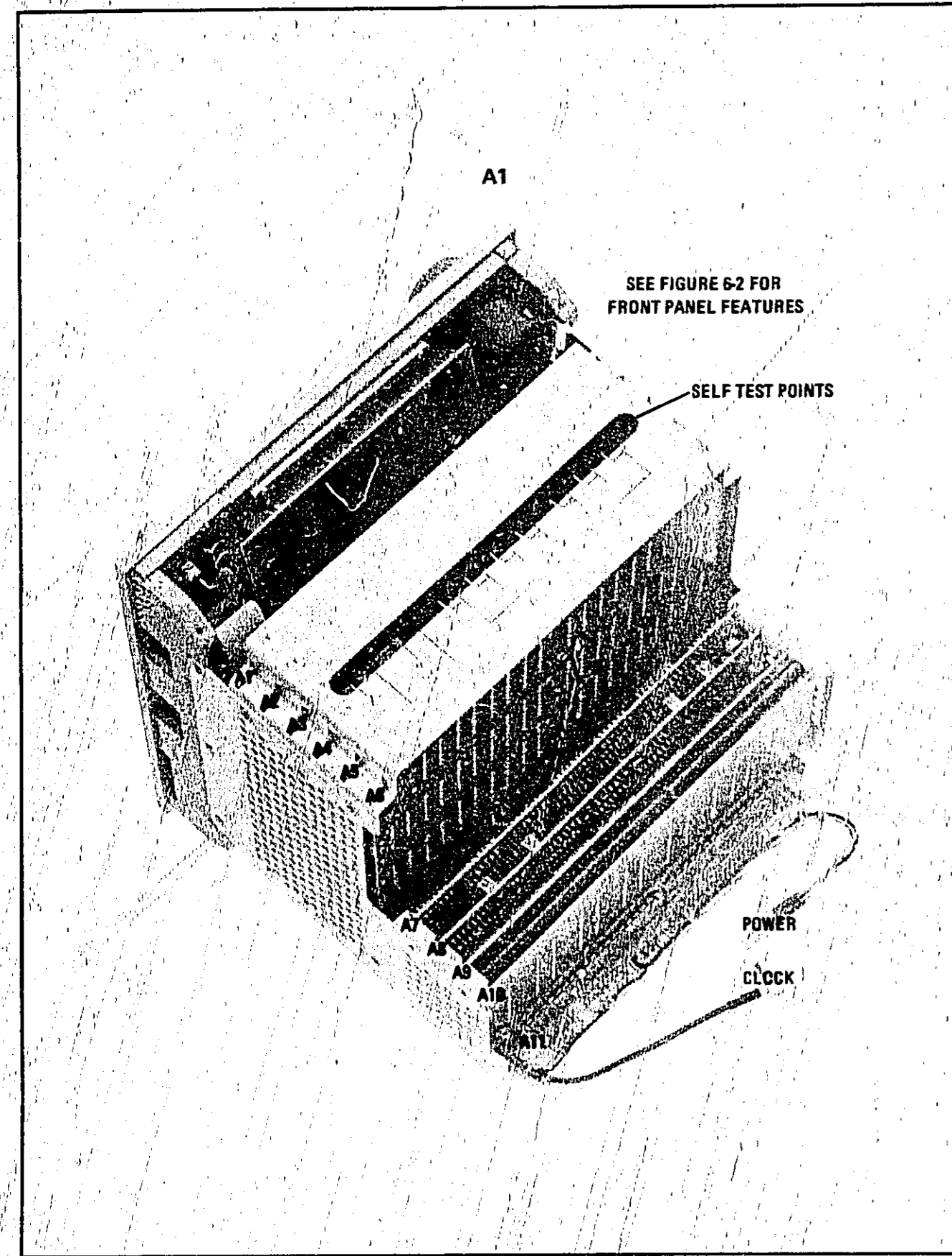


Figure 8-54. 8660C DCU (A1)

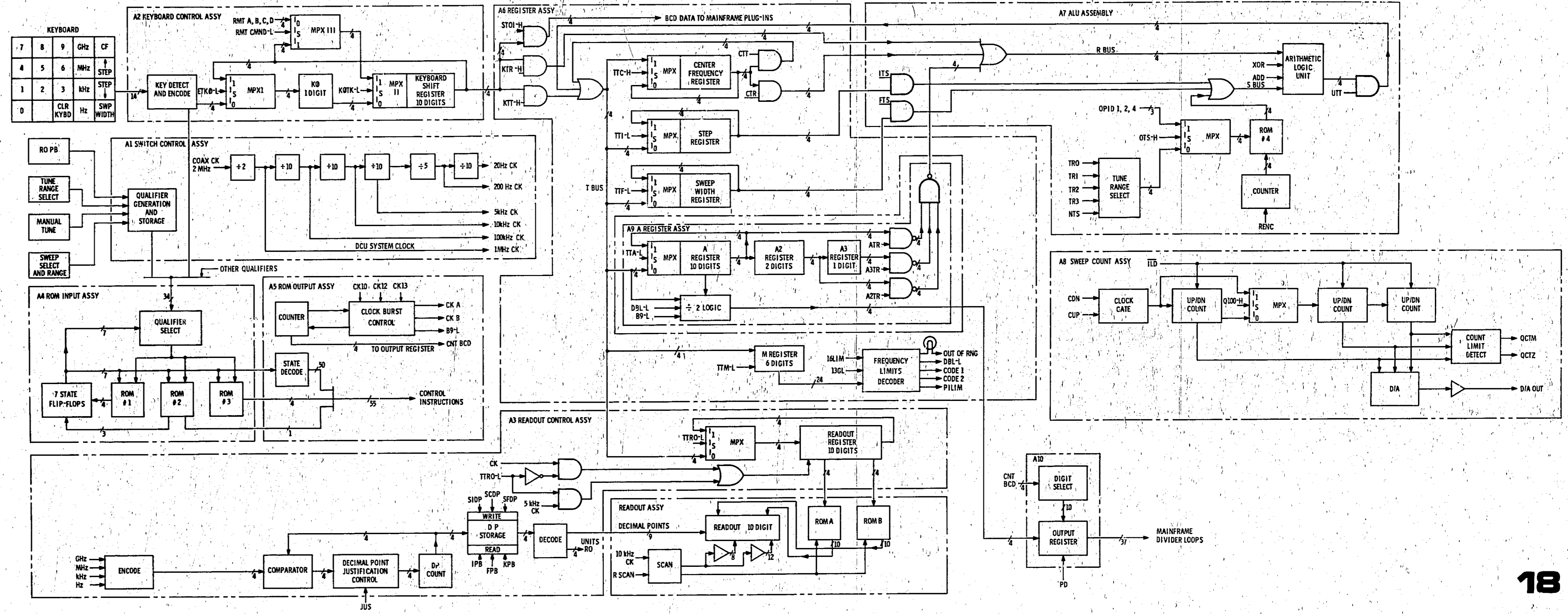


Figure 8-55. DCU Block Diagram, A1

SERVICE SHEET 19

P/O SWITCH CONTROL ASSEMBLY A1A1

Service sheets 19 and 20 provide schematic diagrams for the circuits on the A1A1 assembly and some of the front panel operating controls.

The pushbutton switches shown in the upper left hand corner of Service Sheet 19 labeled KYBD, STEP and SWP WIDTH, when pressed, cause the information stored in the KYBD SR (keyboard shift register), STEP (step register), or the SWP WIDTH (sweep width register) to be displayed on the CENTER FREQUENCY readout.

The PBCOM (pushbutton common line) is low when the instrument is in the local mode and the power detect requirements have been met. When any one of the pushbuttons is pressed the D input of the associated D type flip-flop goes low. The Q output of the associated flip-flop goes low and remains low until the pushbutton is released. On release the Q output goes high on the next clock pulse. The clock pulse to these flip-flops are operated by a 200 Hz clock.

The Q outputs of the pushbutton flip-flops U21B, U29B and U29A are used in the readout control assembly, A1A3 and the ROM Input assembly A1A4. These Q outputs also control the output of NAND gate U22B. When any one of the Q outputs go low, the output of NAND gate U22B goes high.

Normally, the pushbutton readout (PBR) flip-flop, U11A and the center frequency (CFR) flip-flop, U11B, are in the reset state.

When one of the pushbuttons is pressed and the output of U22B goes high, both inputs to AND gate U20C are high, the J input to U11A is high and U11A Q will go high on the first clock pulse. The Q output of U11A goes high to enable U20B.

When U11A \bar{Q} goes low, AND gates U19A and U13C are inhibited. The low level at U13C pin 8 enables NOR gate U24C. When the instrument is in state 0/0 the output of U24 is also low so the J input of flip-flop F10 goes high. The next clock pulse causes U16B Q to go high. When qualifier F10-H goes high the state machine is enabled to proceed from state 0/0 to state 4/0.

When state 3/6 is reached, KPBR and JCFR go low, KF10 and RKD2 go high. The KPBR-JCFR input is inverted and applied to the K input of U11A and, through AND gate U20B to the J input of U11B. Simultaneously the KF10-H level is applied to the K input of the F10 flip/flop U16B. The next clock pulse causes U11A Q to go low, U11B \bar{Q} to go high and U16B Q to go low.

DCU Block Diagram
SERVICE SHEET 18

SERVICE SHEET 19 (Cont'd)

The state progression then flows back to state 0/0 where it remains until the pushbutton is released. On release of the pushbutton the Q output of the associated pushbutton flip-flop again goes high and the output of NAND gate U22B goes low.

Both inputs to NOR gate U24A are now low so the output goes high and is inverted to inhibit AND gates U19A and U13C. The next clock pulse causes the Q output of the F10 flip-flop, U16B, to go high. The state machine again proceeds from state 0/0, state 4/0 and on.

When machine state 1/8 is reached the instructions cause the Center Frequency readout to again display the center frequency. Instruction KCFR-L occurs in state 1/8. This input is inverted and applied to the K input of U11B which is then clocked to drive the Q output terminating the CFR flip-flop function.

When any keyboard key is pressed, input KD2-L goes low. This inhibits NAND gates U19A and U13C and enables NOR gate U24C. The J input to the F10 flip-flop, U16B, goes high when in state 0/0 and the next clock pulse causes the Q output to go high.

The F10 flip-flop Q output also is caused to go high at state 0/0 when a manual tune operation causes U19A pin 4 to go low or when a sweep operation causes U13C pins 10 and 11 to go low. In each case, the F10 flip-flop is set and this starts the state to state progression.

The F1 flip-flop, U16A, which is also called the interrupt flip-flop, is set in state 0/0 when a keyboard entry, a manual entry, or a pushbutton entry is made during a sweep operation. When any of these entries are made, the output of NAND gate U19A goes low to enable NOR gate U24D.

When state 0/10 is reached, the J input of U16A goes high, and the next clock pulse causes the Q output to go high.

When a keyboard entry is made while in the sweep mode, the sweep is interrupted while the entry is being executed. During execution U15A K input goes high in state 0/5 enabling the reset of the F1 flip-flop. The sweep is resumed when the entry is completed.

U26 is a 4-line to 16-line selector. The A, B, C and D inputs are in binary format. Inputs G1 and G2 are enabling inputs which must both be low to enable the selector. U26 is the code 0 selector; whenever it is active the state is 0/0, 0/1, 0/2, etc. All outputs are high except the one selected. The outputs of the selector are instructions. Some of the instructions are qualified; they do not affect the circuits unless certain conditions are met. As an example, the F10 flip-flop, U16B will not be set in state 0/0 unless a front panel control, switch or key has been manipulated. Some instructions such as JF9-H, are generated by more than one state.

Flip-flop U1 in the lower left corner of the schematic performs the sole function of operating the OUT OF RNG lamp. When the frequency selected is above the range of the RF Section in use, the data is rejected and the OUT OF RNG lamp flashes once (about 0.5 second). When the frequency selected is below the specified limits, the OUT OF RNG lamp light stays lit (frequencies below the specified limits are useable).

U28B, in conjunction with cross-connected NAND gates U18A and U18B serve to speed up detection of an out of range frequency to provide an FLIM-L (out of range) signal for programming equipment external to the 8660C.

Flip-flop U28A controls the SWON-H (sweep on) line.

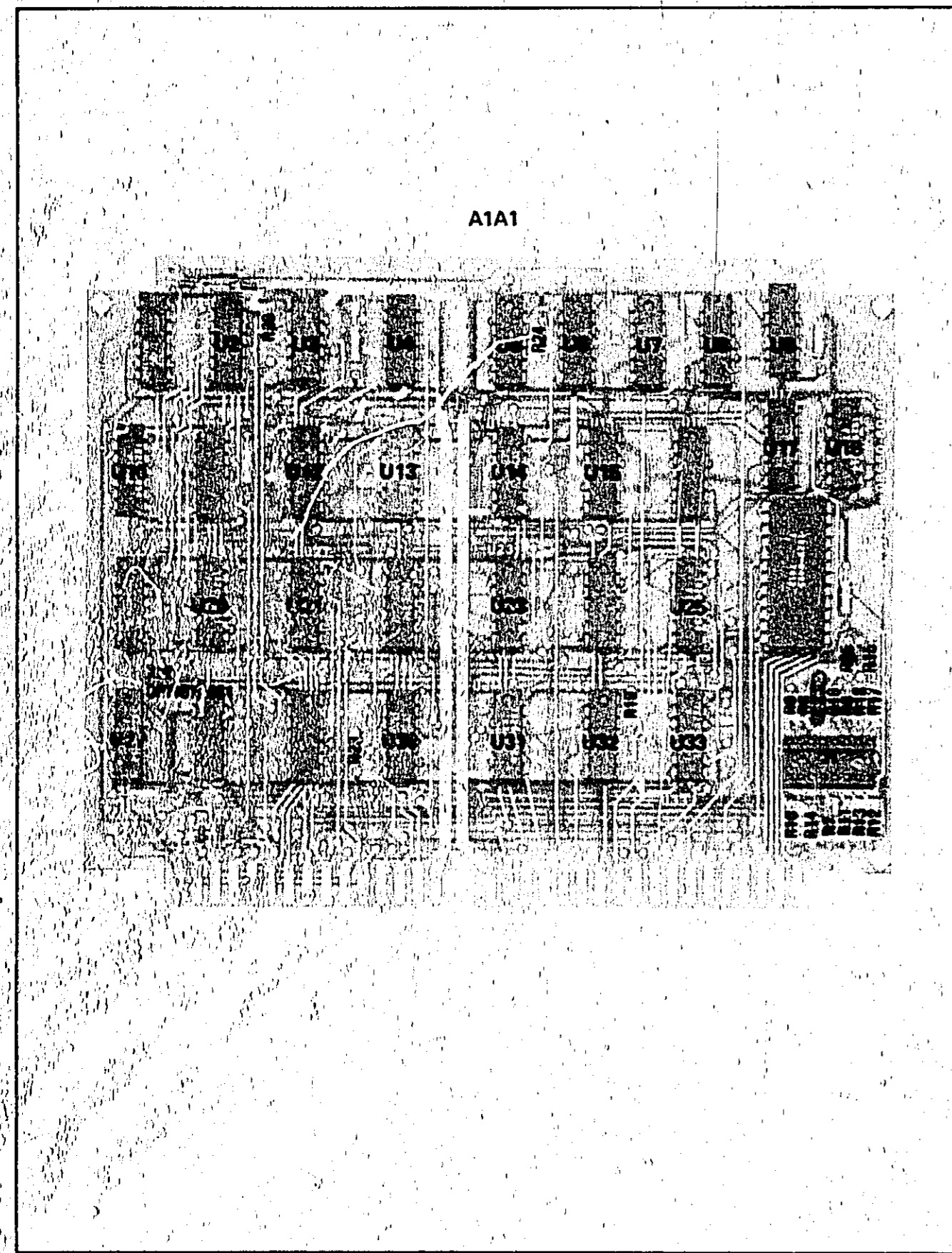


Figure 8-56. P/O A1A1 Switch Control Assembly Component Locations (Part 1)

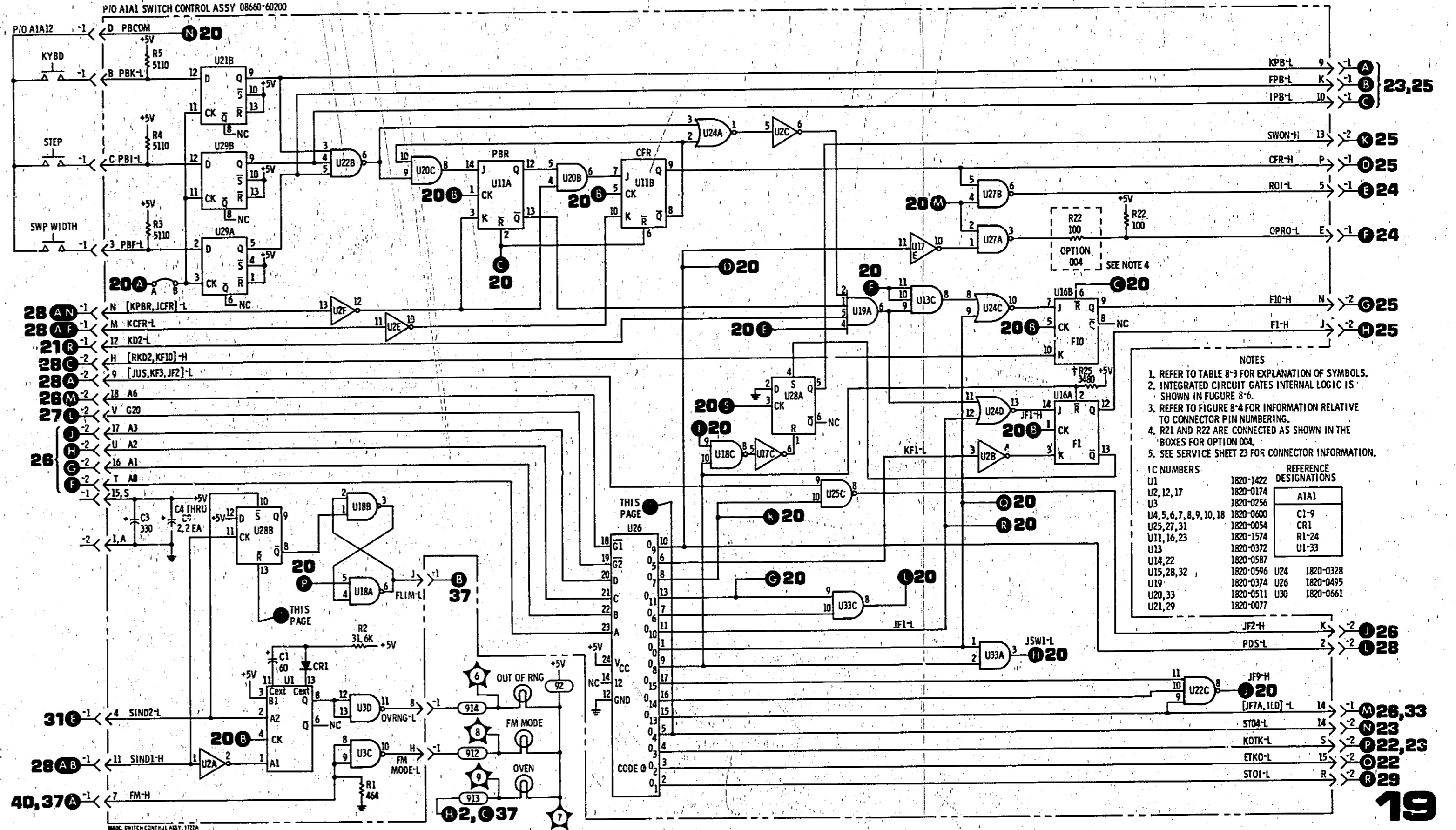


Figure 8-57. A1A1 Switch Control Schematic (Part 1)

SERVICE SHEET 20

P/O SWITCH CONTROL ASSEMBLY A1A1

Service Sheets 19 and 20 show the circuits of the A1A1 assembly schematically.

The circuits receive inputs from all front panel switches except the keyboard. These inputs serve to set (or reset) certain flip/flops or may simply flow through the assembly for use in other assemblies.

A principal output is qualifier F10-H from flip/flop U15 shown on SS19. When qualifier F10-H is set the state machine will go through the various states to set up the operation selected by the operator. Principal inputs to the F10 flip/flop are from the keyboard via input KD2-L, the readout pushbutton switches, the sweep control switches or the manual mode tuning dial.

A second principal circuit is the 4-to-16 selector U26 (shown on SS19) which is one of four such selectors in the DCU. Selector U26, which is designated as CODE 0, is a part of this assembly because many of the outputs are directly used in other circuits in the assembly. The other three selectors are located on the A1A5 assembly which appears on Service Sheet 28.

A third principal circuit is the clock dividers which provide seven different check outputs used in various DCU circuits.

The first divider, D type flip-flop U32B, divides the 2 MHz coax clock by two. The 1 MHz output of U32B drives divide-by-ten U9 and is also used as the system clock.

The second divider, U9, divides by ten. The 100 kHz output drives divide-by-ten U8 and is also used as the keyboard clock.

The third divider, U8, divides by ten. The 10 kHz output drives U6 and is also used in the readout assembly.

The fourth divider, U6, provides two outputs. The second output is a 1 kHz pulse which drives U7. The fifth divider, U7, divides by 5. The 200 Hz output is used to clock the sweep control circuits and the pushbutton flip-flops (see SS19). The output also drives U5.

The sixth divider, U5, divides by ten. The 20 Hz output is used in the sweep control circuits.

In the upper left hand corner of the schematic is a block labeled ROTARY PULSE GENERATOR (abbreviated RPG). The RPG is enabled by the MANUAL MODE RESOLUTION switch in any position except OFF. The RPG is also enabled when the SWEEP MODE switch is placed in the MAN position. The SWEEP MODE switch takes precedence over the MANUAL MODE RESOLUTION switch.

SERVICE SHEET 20 (Cont'd)

The RPG contains a light source and two photocells which are used to generate two square waves. These two square waves have a quadrature relationship — they are 90 degrees out of phase.

The circuits following the RPG CW and CCW outputs must detect when a manual entry has been made and also whether the input is an increase or a decrease in frequency.

AND gate U33D is driven by the CW and CCW inputs from the RPG.

Assume that the RPG is to be turned in the CW direction and that initially the CW output is low. The CCW output is low when the CW output goes high. When the CCW output goes high AND gate U33D is enabled and its output is high. When the CW output goes low, PLS-H goes high to cause an add operation and the low output of AND gate U33D clocks U32A through NAND gate U31D to cause the Q output (MNE-H) to go high.

When the RPG is turned CCW, the CCW output will go high at a time when the CW output is low. 90° later CW goes high and AND gate U33D output goes high. When, 90° later, CCW goes low, U33D output goes low and clocks U32A through U31D. The CW output is still high so the output of NAND gate U21A, PLS-H, is low. A subtraction operation is directed rather than an addition operation.

The enabling input to NAND gate U28A is from a cross-connected pair flip-flop, U31B/C. TR0-L is low only during the power detect operation when the instrument is first turned on. TR0-L is also coupled back to NAND gate U25B and U3A to inhibit the front panel manual controls during power detect.

Divide-by-five counter U4 is used when the HF RF output unit is in use and the 1 MHz (COARSE) step increment is selected. This is done to provide a fine control over the 1 MHz COARSE operation. Only every fifth input from the RPG can clock the MNE-H flip-flop, and control is improved.

Option 004 instruments have a 100 Hz resolution rather than 1 Hz resolution. Part of the changes required for this change is to shift R18 from its location shown on the schematic to a point between U30D pin 13 to ground. The step increments in OPT 004 instruments are 100 Hz, 10 kHz and 1 MHz.

SWEEP ENABLE CIRCUITS

The SW1 flip-flop, U23A, Q output (SW1-H) and SWON-H go high for all sweep operations. Selection of AUTO or MAN sweep controls the J input of U23A through AND gate U13A and U24B when enabled by state 0/0 at 19 (H). Selection of SWEEP OFF controls the K inputs for reset of U23A through NAND gate U22A.

Flip-flop U23B, also referred to as the F9 flip-flop, is the sweep rate control. When the instrument is first turned on the K input to U23B is high due to the state of the TR0 flip-flop (U31B/U32C), so the Q output is set high.

When state 0/13, 0/14 or 0/15 is reached the J input to U23B goes high and the system clock causes the Q output to go high. When U23B Q output is

Service

SERVICE SHEET 20 (cont'd)

high, NAND gate U25D is enabled and the system clock is coupled through to NAND gate U14C. These three states enable the sweep to step at the maximum clock rate (1 MHz) during certain parts of the sweep operation.

The Q output of the single sweep flip-flop, U21A, is high in the quiescent state. Since both inputs to AND gate U20A are high the level at the S input to U21A does not affect the flip-flop.

When the SWEEP MODE switch is placed in the SINGLE mode and the SINGLE pushbutton is pressed, the output of AND gate U20A goes low to set the Q output of U21A high. The Q output of U21A (QSS-H) stays high for the period of one sweep width. The inverted system clock at the pin 2 input of OR gate U30A cannot reset U21A because instructions RQSS-H is low during the single sweep operation.

When the single sweep operation is concluded, instruction RQSS-H goes high, is inverted by U2D and enables OR gate U21A. The next inverted system clock resets both U21A and U23A (Q goes low and Q goes high).

When the single sweep was initiated, U21A Q went low to cause the output of AND gate U13A to go low. The pin 6 input to NOR gate U24B is also low so the J input is high at U23A, the SW1 flip-flop. The next clock pulse will cause the Q output of U23A (SW1-H) to go high. SWON-H is also high during the time the output of U21A is low as controlled by the QSS flip-flop U21A.

While the Q output of U23B is high the system clock is coupled through NAND gate U25D to pin 10 of NAND gate U14C. Pins 9 and 11 of U14C are high because U23B Q is low. The system clock is coupled through NAND gate U14C to U15A. Since the D input to U15A is held high the Q output goes high on the clock pulse. The inverted system clock then causes the Q output of U15B (QSP-H) to go high. When state 0/11 is reached pin 9 of U30C goes low to permit the inverted system clock to reset U15A and U15B (Q outputs go low) to make them ready for the next system clock.

When one of the three other clock sources is to be used to drive U15A, state 0/9 is reached, pin 12 of OR gate U30D goes low, the inverted system clock at OR gate U30D pin 11 resets U23B and the output of AND gate U20D resets U15A and U15B.

Model 8660C

When U23B is reset the Q output goes high and NAND gate U25D is inhibited to prevent further system clock pulses from reaching U15A. The high output from U25D is also used to partially enable NAND gate U14C.

When the SWEEP MODE switch is set to AUTO and the SWEEP RATE switch is set to MED, the output of NAND gate U10A goes high to enable NAND gate U10D which supplies the 1 millisecond (1 kHz) clock to U10B. The pin 5 input to U10B is high because the high output of U10A is inverted and used to inhibit U10C.

Pins 2 and 13 of NAND gate U14A are high so the clock path is completed through to NAND gate U14C. Pins 9 and 10 of U14C are both high so U15A is clocked and its Q output goes high.

The next inverted system clock causes QSP-H to go high. This signal instructs the system to advance another sweep step. Using the inverted system clock to clock U15B ensures that the 1 millisecond clock is synchronized to the system clock. The 1 millisecond clock is derived from the system clock. However, the dividers are low power devices and the propagation delay may result in excessive phase shift. Also, during manual sweep, asynchronous pulses are received through U14B and U14C which must be synchronized.

When the FAST sweep rate is selected, operation of the circuit is the same as in the MED mode except that the output of AND gate U33B (Q100-H) is high. In this mode the sweep is 100 steps at the 1 kHz rate.

When the SLO sweep rate is selected, operation is similar to the MED mode except that the output of U10 is low, U10C is enabled, and the 10 millisecond (20 Hz) clock is used.

When the SWEEP MODE switch is set to MAN, the RPG is enabled. Operation of the RPG and associated circuits is essentially the same as it was in the MANUAL TUNE RESOLUTION mode. MNE-H is applied to the pin 5 input of NAND gate U14B; U14B pin 3 is held high by U23B Q and U14B pin 4 is held high by QMSW-H so MNE-H is coupled through to NAND gate U14C. The other two inputs to U14C are high so U15A is clocked by MNE-H. U15B is then clocked by the next inverted system clock. This ensures that the MNE-H input is synchronized with the system clock and provides QSP-H.

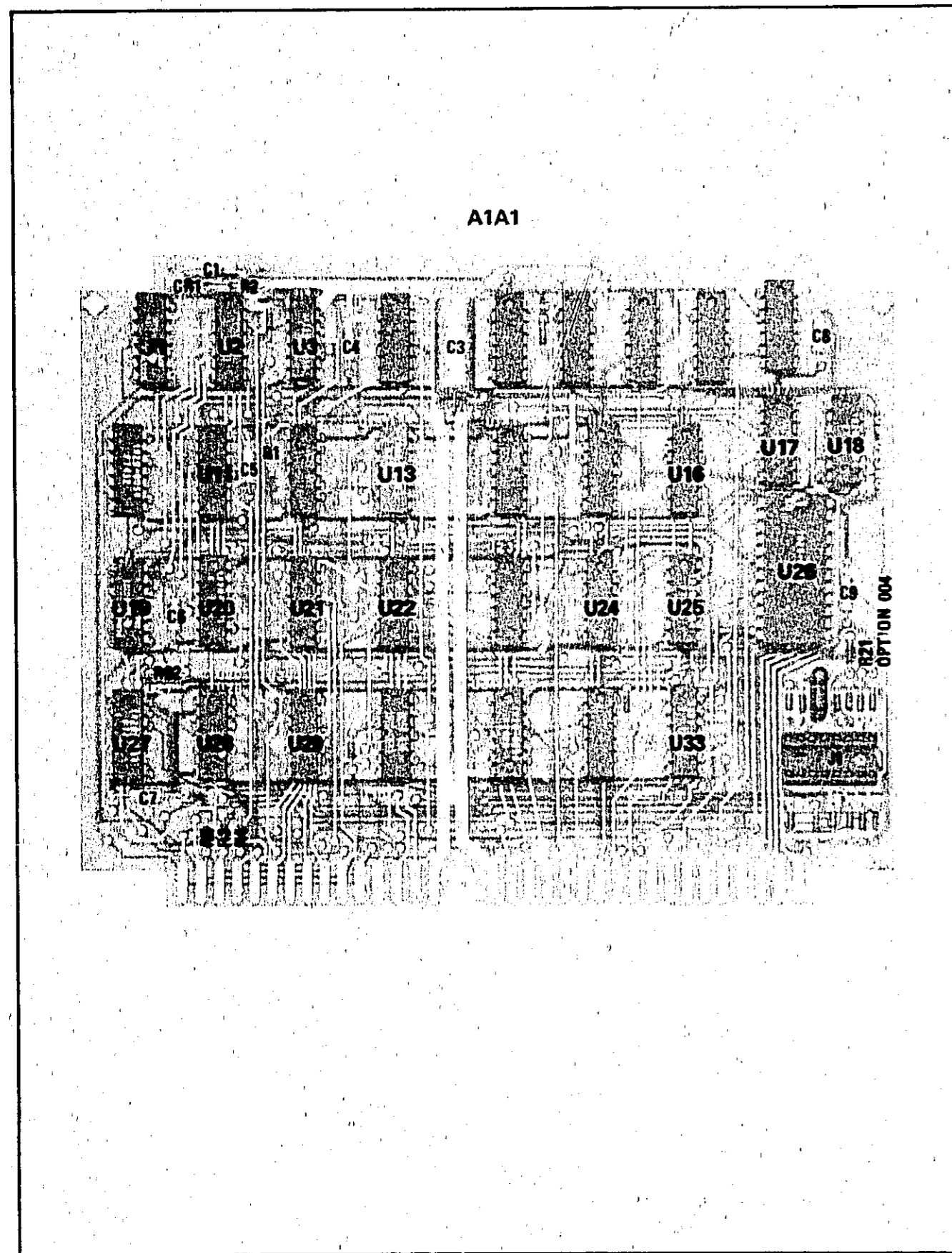


Figure 8-58. P/O A1A1 Switch Control Assembly Component Locations (Part 2)

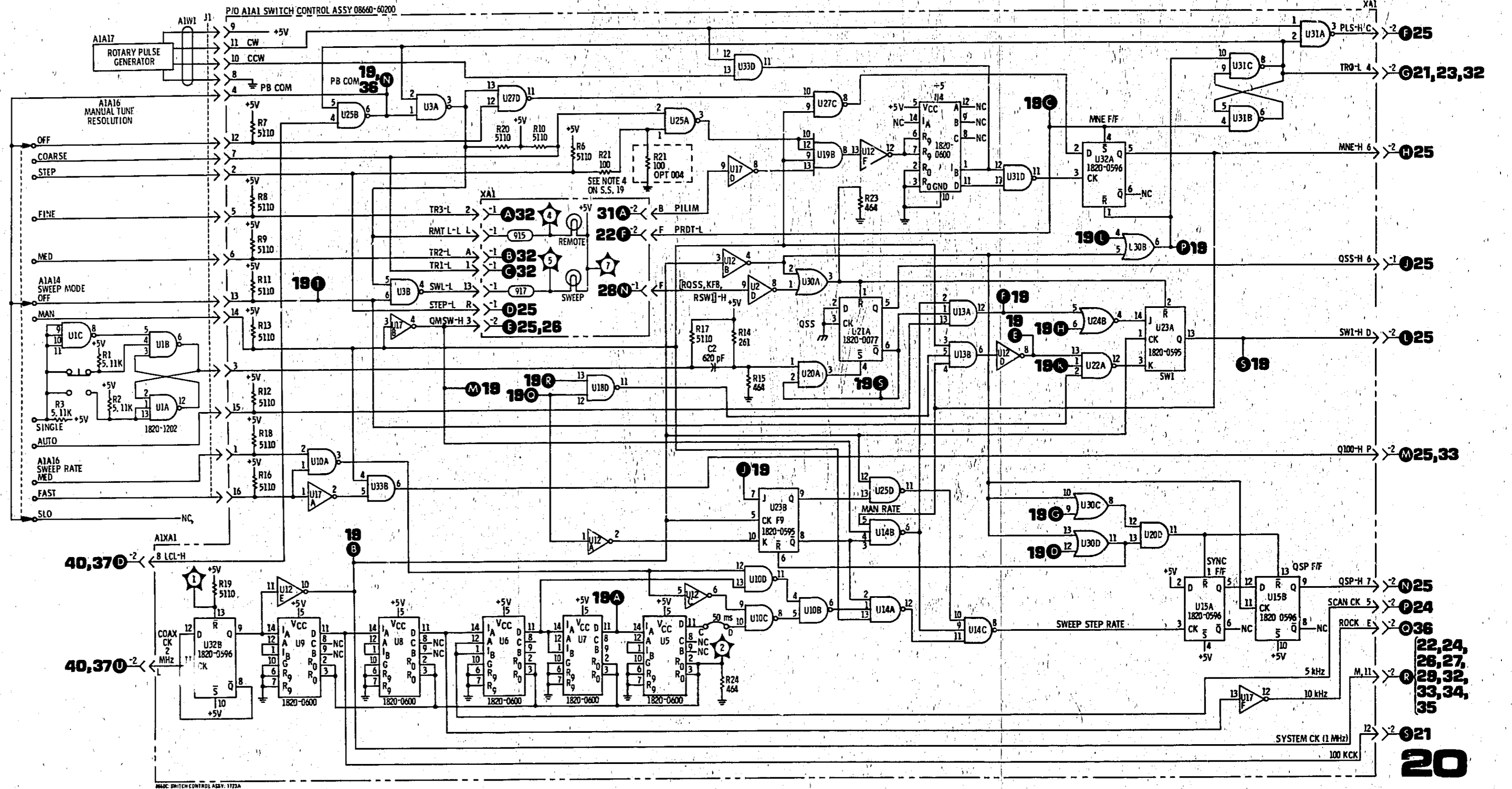


Figure 8-59. A1A1 Switch Control Schematic (Part 2)

SERVICE SHEET 21

P/O A1A2 KEY CONTROL ASSEMBLY AND KEYBOARD

The circuits in the A1A2 assembly are shown schematically on Service Sheets 21 and 22. The keyboard scan, encoding circuits and the keyboard shift register are all contained in this assembly. Also shown on Service Sheet 21 is the keyboard printed circuit board schematic.

The Model 8660C keyboard is unique in that there are no mechanical contacts. Basically the keyboard consists of ten pairs of printed circuit pulse transformers with metallic spring leafs suspended adjacent to them. When a key is pressed the associated pulse transformer is inductively shorted.

The pulse transformer primaries are connected in series pairs between the 100 kHz clock pulses and a 1 of 10 selector, U26. The pulse transformer secondaries are connected in series between the inputs of a dual comparator, U20. The pulse transformer pairs are connected so that secondary currents cancel until a key is pressed.

The keyboard clock (KYB CK) is connected to all of the transformer pairs. However, only one transformer pair is selected at any given time by U26. The keys are scanned sequentially, 10 times for numeric data, then 10 times for non-numeric data. This is accomplished by clocking flip/flop U17B every time the D output of divide-by-ten U25 is active. The Q and \bar{Q} outputs of U17B determine which of the U20 comparators is being strobed. The lower comparator is the numeric key detector.

When the lower U20 comparator is being strobed, if a numeric key is pressed a positive going pulse appears at U20 E₀ output. This causes the one-shot U19 to change states (Q goes low). The low output of U19 Q inhibits the clock gate (U16C) to the divider (U25). U25A, B, C and D outputs retain the binary number of the key pressed. The numeric data is applied to multiplexer U12 which is shown on Service Sheet 22. Numeric data cannot affect the non-numeric data circuits because OR gates U24A, B, C and D outputs are held high by NAND gate U16B.

U19 is a monostable multivibrator which may be re-triggered during its period of about 15 microseconds. The period of U19 will be extended as long as the key is pressed since re-triggering pulses are received from U20 every 10 microseconds.

Operation when a non-numeric key is pressed is essentially the same as it is for a numeric key. The upper U20 comparator is enabled by U17B Q and both U16B inputs are high. The low level at the output of U16B enables U24A, B, C and D to couple the data through to one-of-ten selector, U23. The outputs of U23 correspond to the input binary weighted code.

U15 is a multiplexer which processes data from U23 in the local mode or from external programming circuits in the remote mode. The only data functions processed through U15 are the step up, step down and center frequency. In the local mode U15 pin 1 (select) selects inputs 1A, 1B, and 1C because the LOCAL-H line is high. In the remote mode the select line (U15 pin 1) is low so inputs 0A, 0B and 0C are selected. In either case, the Z_A, Z_B and Z_C outputs correspond to the A, B and C inputs.

SERVICE SHEET 21 (Cont'd)

The gating circuits to the right of U15 and U23 generate various qualifiers and instructions. As an example, if the CF key is pressed (code 8, 1000) the 0g output of U23 is low, U15Z_C is low and the output of U22D is high. At all other times, when the CF function has not been initiated, qualifier CF-H is low.

Flip/flop U7B functions in the microprogram to prevent an entry operation from being made before a unit key is pressed. A unit key must be pressed to complete the justification process. The F3 flip/flop (U7B) K input goes high when qualifier QU1 (U21B pin 8) is high and instruction KF3-L is low which occurs in state 1/6. The next clock pulse resets U7B and qualifier F3 goes low. The F3 J input must go high in order to make the Q output go high to complete the cycle. This is accomplished when the JF3-L input (pin 11) becomes active when the machine is active in any one of four states, 1/11, 1/12, 1/13 or 1/0 and U7B is clocked. The Q output will also go high if the CLEAR KYBD key is pressed generating output O₂ from U23. U17A Q (KD2-L) provides a signal to the F10 flip/flop on the A1A1 assembly when a key has been pressed or when CMND-P-L goes low in the remote mode.

J-K flip/flop U7A is used in a synchronizing process; it is connected as a "D" type flip/flop. The "D" input from U19 is asynchronous since it is a response to manual press and release of a key. The synchronized KDN-H output ensures correct machine state action.

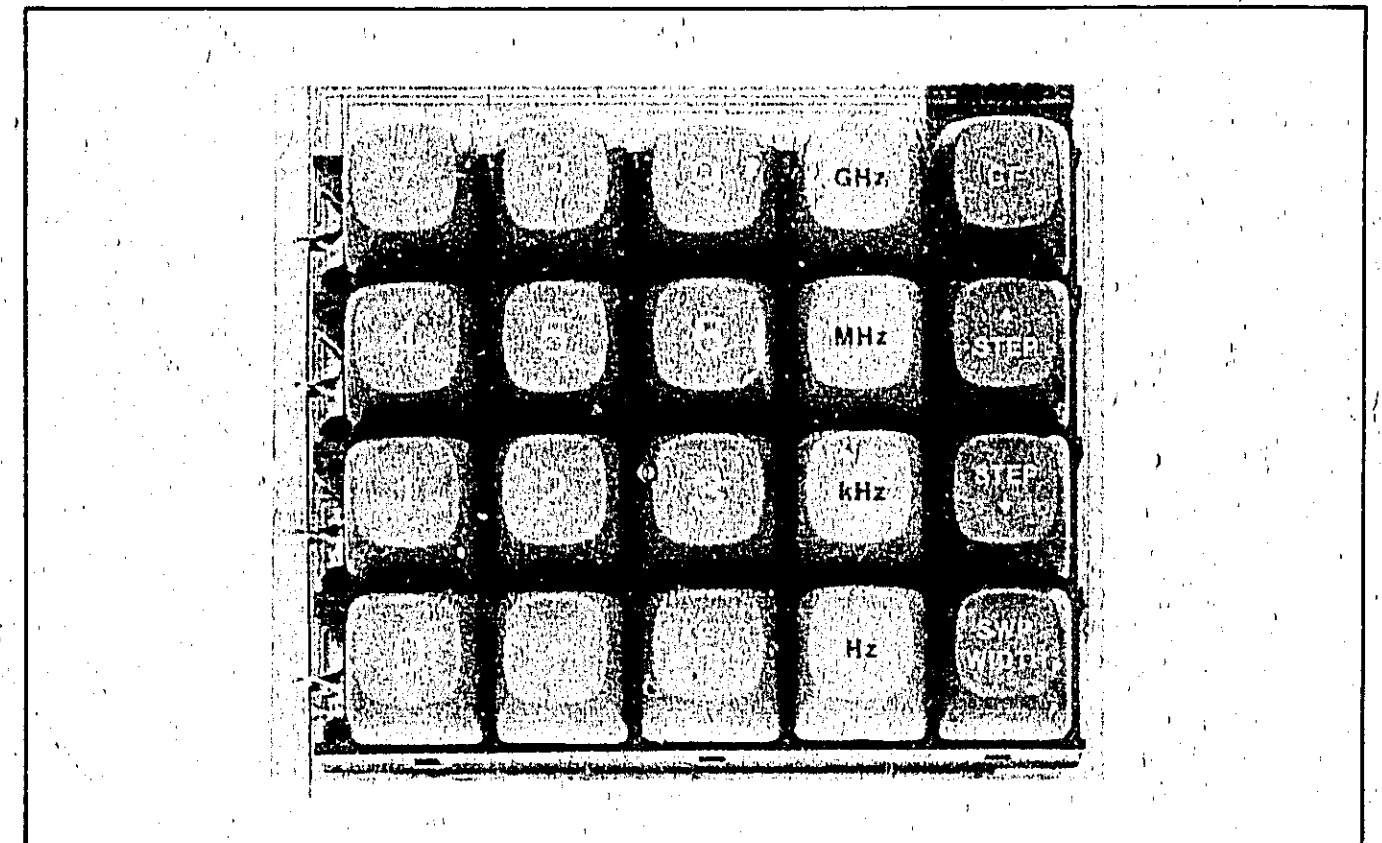


Figure 8-60. Keyboard Assembly Front View

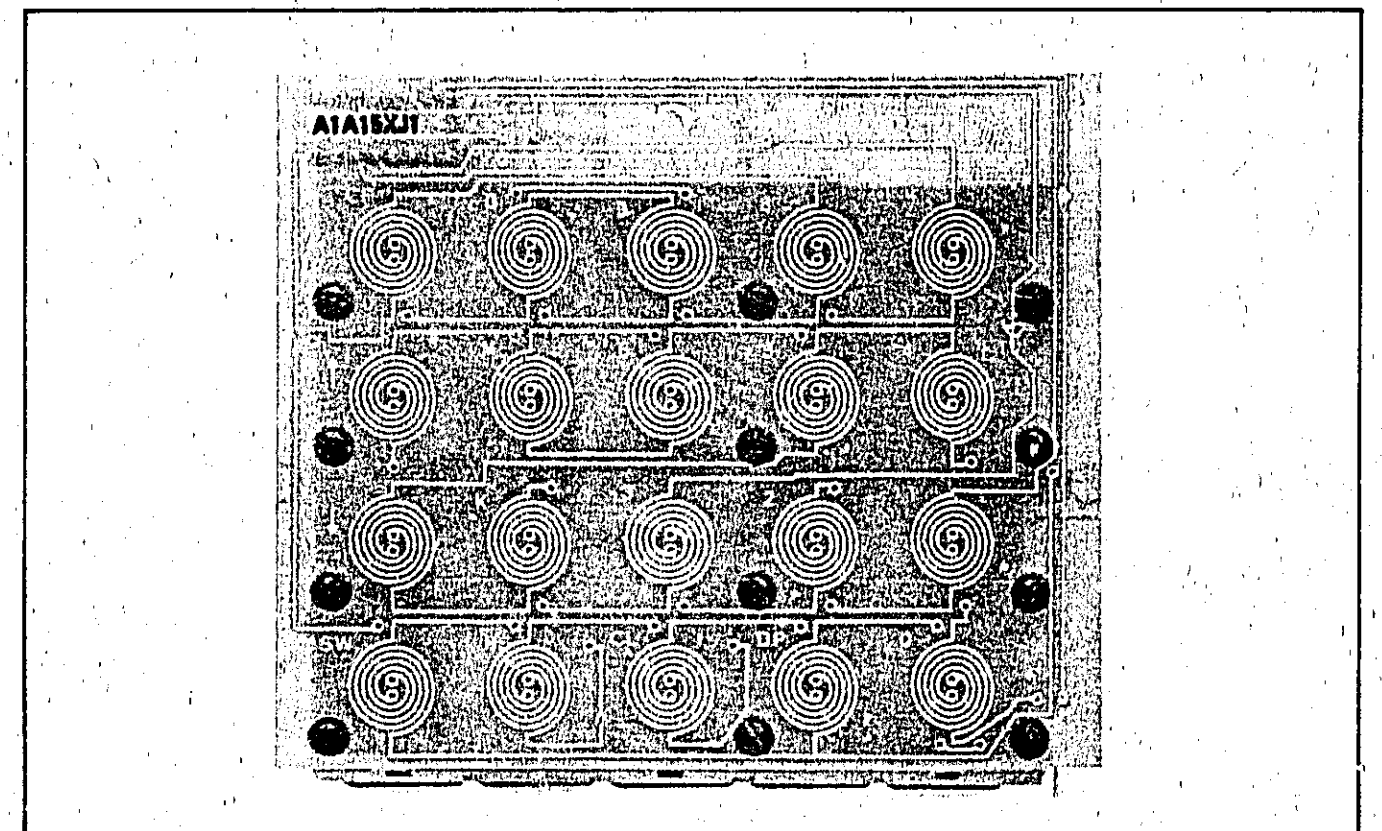


Figure 8-61. Keyboard Assembly Rear View

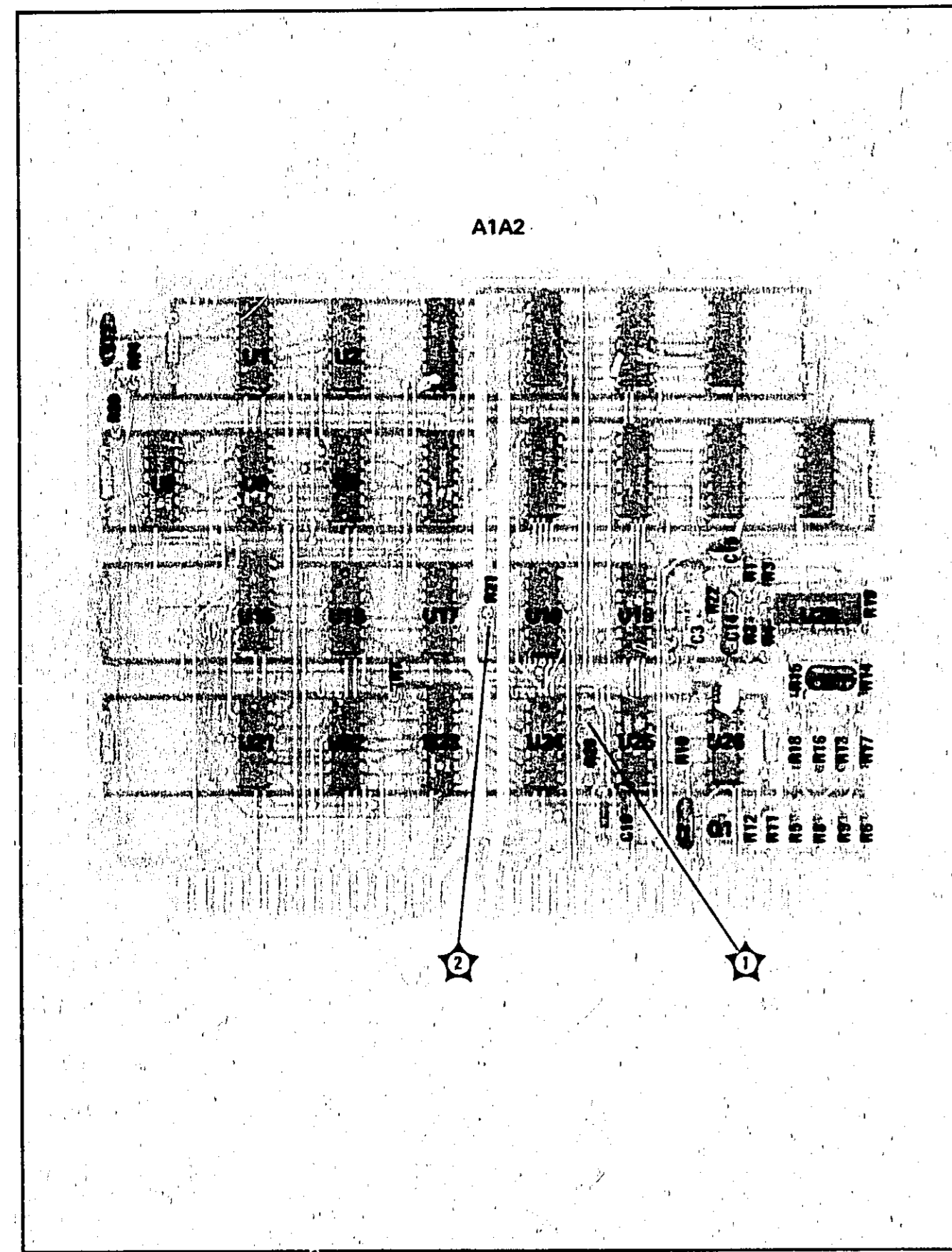


Figure 8-62. P/O A1A2 Key Control Assembly Component Locations (Part 1)

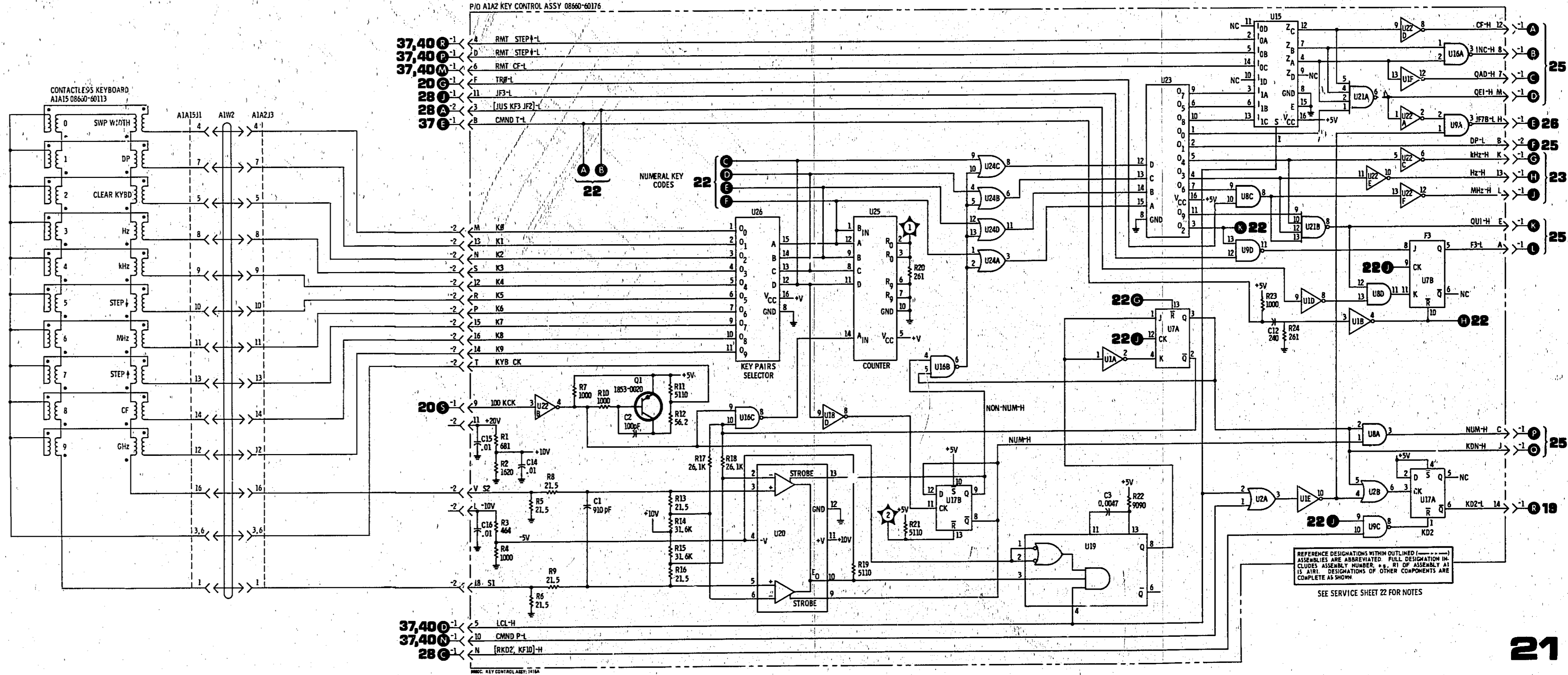


Figure 8-63. P/O A1A2 Key Control Schematic (Part 1)

SERVICE SHEET 22**P/O A1A2 KEY CONTROL ASSEMBLY**

The A1A2 key control assembly circuits are shown schematically on Service Sheets 21 and 22. The circuits shown on this Service Sheet consist of the recirculating keyboard register and the circuits which control it.

Multiplexer U12, when a keyboard numeral is being entered (ETK \emptyset -L is active), couples the data to U5 which is a one digit, 4 bit-register (referred to as the K \emptyset register).

After the data is stored in K \emptyset a train of 10 clock pulses transfer the data to the main keyboard shift register consisting of U4, U6, U14 and U13.

U6 and U4 are dual 8 bit registers. Data bits 1 and 2 for digits 3 through 10 are stored in U6 and data

bits 4 and 8 for digits 3 through 10 are stored in U4. U14 and U13 are one digit four bit registers. U14 stores digit 2 and U13 stores digit 1.

Note that the output of the main keyboard register is coupled back to U5 through U12 while the train of 10 clock pulses is present. This is true because ETK \emptyset -L is now in the quiescent (high) state. The cycle continues until all of the required numeric entries are made. When the last digit has been entered (the least significant digit) it will be so positioned in the register that it will be the first digit clocked out. The first digit clocked in will be the last digit clocked out.

In the local mode when the keyboard data is clocked out, it is also clocked back into the main keyboard register, through multiplexer U11. U12 and U5 are bypassed.

The control gates for the keyboard register are conventional.

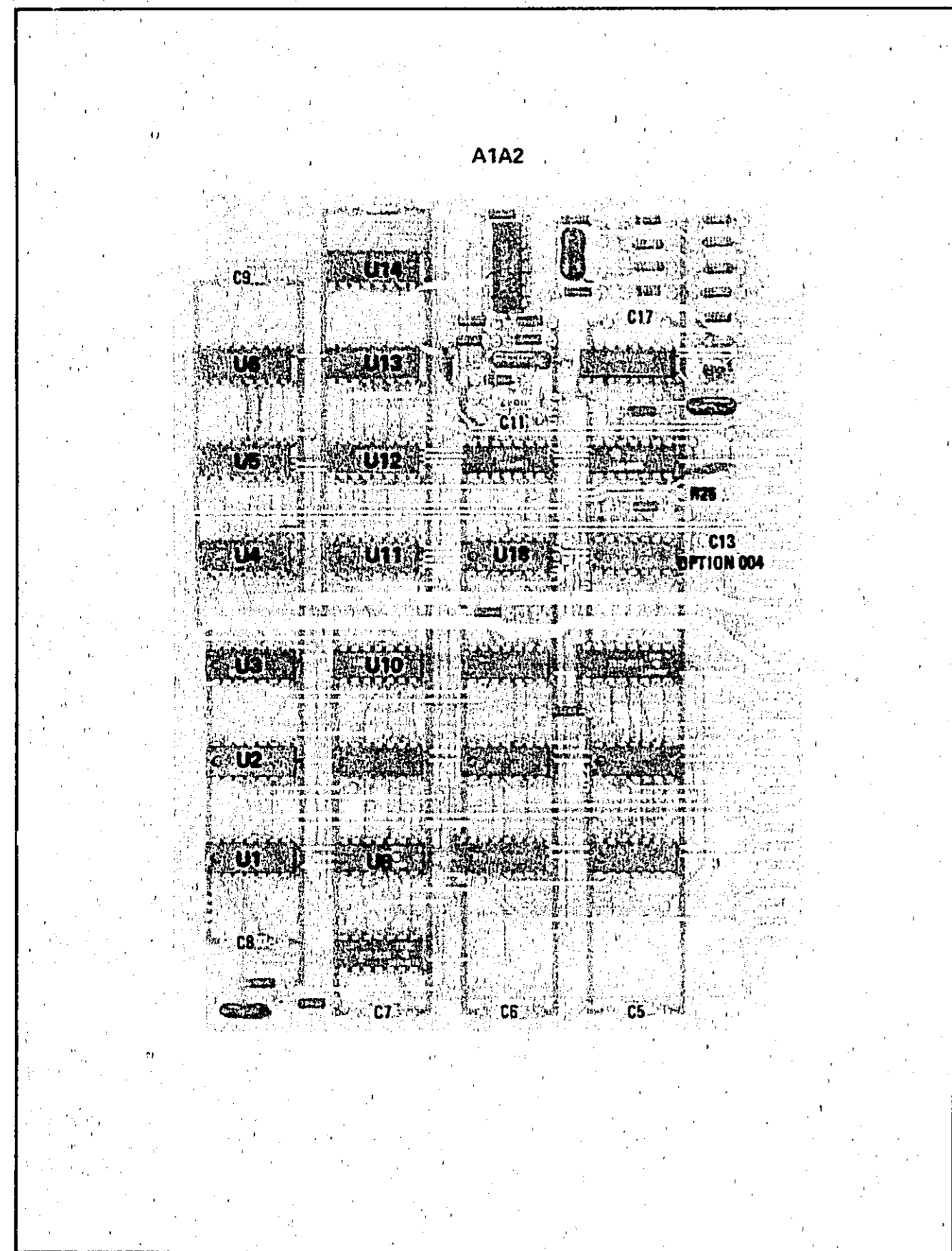


Figure 8-64. P/O A1A2 Key Control Assembly Component Locations (Part 2)

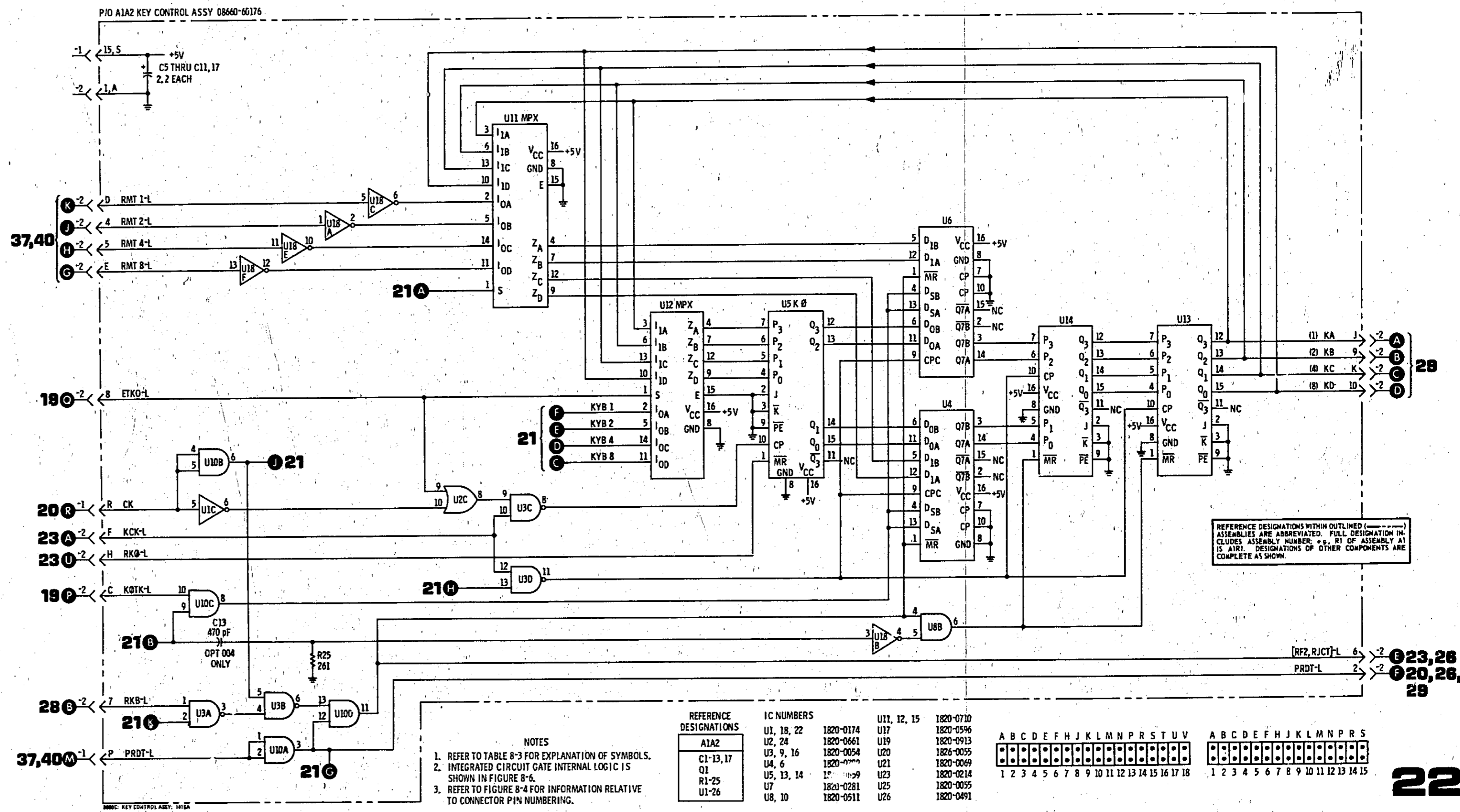


Figure 8-65. P/O A1A2 Key Control Schematic

SERVICE SHEET 23

P/O A1A3 READOUT CONTROL ASSEMBLY

Most of the circuitry shown on this service sheet is used to justify (properly locate) the decimal point in the readout. Following entry of a multidigit number, units are selected and the number is shifted left or right in the keyboard register as controlled by the following circuitry which determines position of the decimal point.

The MHz, kHz and Hz inputs are applied to the B inputs of comparator U11. The A inputs to comparator U11 are from justification counter, U20. The purpose of U11 is to detect when A=B.

The justification counter, U20, is a decade counter which operates only after a decimal point or a units entry has been made.

Referring to the Algorithmic State Machine, (flow graph), assume that the first keyboard entry is a numeral and follow the machine states from 0/0 through states 4/0, 5/0, 6/0 and 6/1 to state 1/5. State 1/5 contains the first instruction that directly affects the circuits shown on Service Sheet 23.

The instructions in state 1/5 are RF2-L which resets FF2, RKB-L which resets the keyboard and RJCT-L which resets the justification flip-flop, U14A. RJCT-L is also inverted by U31C to reset the counter, U20, to nine (1001).

The next state, 0/2, contains the instruction ETK0-L. This causes the numeric data to be stored in the K0 register.

The next state, 0/3, contains instruction K0TK-L (K0 to keyboard register) and a train of 10 clock pulses. These clock pulses transfer the data from the single digit K0 register to the least significant storage in the ten digit keyboard storage register.

NOTE

See Service Sheets 21 and 22 for a more complete analysis of the keyboard register.

When a decimal point is entered after a numeric entry the machine state path is from state 0/0 through states 4/0, 5/0 and 5/1 to state 3/5.

In state 3/5 instruction SJCT-L (set justification counter) appears. This instruction, which has a low assertive state, is applied to NOR gate U13A pin 3. The second input to NOR gate U13A is the inverted system clock which is high when SJCT-L appears. When the inverted system clock at U13A pin 2 goes low the clock input to U14A goes high and causes the Q output to go high.

SERVICE SHEET 23 (Cont'd)

When U14A Q goes high N. ND gate U33A is enabled. Pin 4 of U33A is high because B9-L is not active at this time. The system clock at NAND gate U35B pin 3 is applied to U33A pin 5 when CK10 CK is high and JUS or QJO are high. Pin 2 of U33A is high because K0TK is low.

The output of NAND gate U33B is high since QJO is low and NAND gate U30D is enabled for a period of nine clock pulses. The train of clock pulses ends when B9-L goes low and inhibits U33A.

The justification counter, U20, starts at a count of 9 in the local mode. The 9 clock pulses it receives cause it to stop one count lower than where it started. In other words, the first entry after a decimal point would cause the counter output to be an 8, the next entry a 7, etc.

The output of NAND gate U35B pin 6 is also used to clock the keyboard register via line KCK-L. The output burst of 10 clock pulses shifts the new entry to the correct sequential position as described in Service Sheets 21 and 22.

So far, justification has not taken place; the justification counter has merely deducted the number of entries after the decimal point from 9. Flip/flop U14B has not yet been clocked because the JUS-L high level has been inverted by U31E to inhibit AND gate U32B.

As an example of circuit operation assume that 12.34 has been entered and the output, is to be 12.34 kHz. Referring to the Algorithmic State Machine it can be seen that the UNITS path is the same as the numeral path until state 6/0 is reached. The qualifier following state 6/0, NUM-H, is not active so the next state is 0/4 which contains instruction RK0-L (reset K0 register).

RK0-L is the output of AND gate U32D. The inputs to U32D are from OR gate U21C which is high because JUS-L is not active and from AND gate U9A. ST04-L is active by virtue of being an output of state 0/4 and the low level is inverted by U24E to enable U9A. The system clock is then coupled to AND gate U32D to produce RK0-L.

Qualifier QUI-H is active for state 0/4 so the next state is 1/6 which contains instructions JUS-L, KF3-L and CK10J-L.

When JUS-L goes low it is inverted by U31E and applied to AND gates U25A and U32B. The second input to U32B is from OR gate U21D. The output of OR gate U21D is high because input pin 13 is connected to B9-L which is high.

The low to high output transition of U32B clocks U14B. Since the B inputs to U11 are a 6 (0110) and the A inputs are a 7 (0111), both A=B and A<B are low. The D input to U14B is low and clocking U14B causes the Q output to go low.

The low Q output of U14B is applied to one input of NOR gate U13B. The second input to U13B is CKB-H which is also low. The high input to OR gate U21A at pin 1 is coupled through to pin 10 of AND gate U32C. Pin 2 of OR gate U21A is also held high by the inverted low A=B level.

The second input to AND gate U32C is from AND gate U25A. U25A pin 2 is held high by the inverted JUS-L level and pin 1 is held high by the local line. The high output of U25A enables AND gate U32C and QJO-H goes high.

SERVICE SHEET 23 (Cont'd)

When QJO-H goes high it holds the instrument in state 1/6 until the justification requirements are met. QJO-H enables NAND gate U35B through OR gate U23A. QJO-H also enables NAND gate U33B which then clocks U20 through U30D.

The clock train is again stopped after nine clock pulses by the action of B9-L and the outputs of U20 and U2 are compared by U11. Since both of the inputs to U11 are now 6 (0110), A=B goes high to cause the D input to U14B to go high.

When U11 A=B is a high the justification requirements are satisfied. However, several things must happen before state 1/6 may be left.

The A=B high level is inverted by U31A and applied to pin 2 of OR gate U21A. This does not immediately affect the output of U21A because the output of NOR gate U13B is held high by the low Q output of U14B and the CKB-H level which is low.

U14B is clocked by AND gate U32B as follows: U32B pin 5 is still held high by the inverted JUS-L low level. The second input to U32B is from OR gate U21D. When B9-L goes low, pin 13 of U21D is also low. The inverted system clock at pin 12 of U21D is high so the output of U32B remains high. On the next clock the inverted clock goes low and the output of U32B goes low. This does not clock U14B because a D type flip/flop may be triggered only on a positive going pulse. The next time the inverted clock goes high is at the beginning of the tenth clock; this clocks U14B and causes the Q output to go high.

The high Q output of U14B inhibits NOR gate U13B. Since both inputs to OR gate U21A are now low AND gate U32C is inhibited and QJO-H goes low. The machine state progression is now through states 6/14, 1/1, 4/1, 1/9, 4/9, 4/10 and 5/10 to 0/0. The instrument is now ready for the next entry (function).

Now assume that 12.34 kHz was entered by accident, it should have been 12.34 MHz. 12.340 is still stored in the keyboard register so all that is necessary to start the justification process over is to press the MHz key.

Operation of the justification circuit is the same as it was for kHz except that now the input to 011 is a 3 (0011) and the output of U20 is a 6 (0110). QJO-H goes high as it did in the previous example. QJO-H stays high until three trains of clock pulses cause the output of U20 to reach 3 (0011) and once again U11 A=B is high. QJO-H is caused to go low in the same manner as in the previous example.

For a third example assume it is decided that 12.340 kHz was, after all, the desired output frequency.

Initiation of the justification cycle is the same as it was in the previous two examples. How, however, the A inputs to U11 are a 3 (0011) and the B inputs are a 6 (0110) so A<B is high. This high level at pin 10 of NOR gate U13C holds the D input of U14B high and U14B is clocked as it was before but no output change results since the Q output was already high.

P/O A1A2 Key Control Assy (Part 2)
SERVICE SHEET 22

Service

Model 8660C

SERVICE SHEET 23 (Cont'd)

The low A=B output of U11 is again inverted and applied to OR gate U21A to enable AND gate U32C and again cause QJO-H to go high (U32C pin 9 is caused to go high in the same manner as in the previous examples).

U11 is continually comparing the outputs from U20, U1B and U21B. The first clock to U20 causes the output to go to 4 (0100), the second to 5 (0101) and the third to 6 (0110). Justification has been accomplished, A=B is high, U21A is inhibited and QJO-H immediately goes low. The state progression back to state 0/0 is the same as it was in the previous examples.

During all of these justification counts, outputs from KCK-L to the keyboard register cause the entry to be shifted to positions consistent with units and decimal point.

It may be seen from the foregoing examples that left shifting (from kHz to MHz) takes three trains of clock pulses, while right shifting (from MHz to kHz) takes only three clock pulses.

The decimal point storage, U3, is a 4 x 4 file. It stores 4 four-bit words. These words are selected by the outputs of U22A and U22B as follows: word 1, center frequency 00; word 2, sweep width 01; word 3, step (increment) 10 and word 4, keyboard 11.

The inverted system clock is applied to pin 12 (Gw) of U3 where it is used as the write clock. WA and WB (write) inputs are controlled by AND gates U22A and U22B which are, in turn, controlled by the KYBD, STEP or SWP WIDTH pushbuttons in the local mode. When these pushbuttons are all inactive the center frequency is selected.

When operating in the remote mode only the center frequency is displayed. It is displayed in MHz only. In the remote mode the LOCAL-H line is low. This low level is inverted by U31F and used to reset the justification counter, U20, to zero. OR gates U1C and U1D provide the inputs to U3 in the remote mode. Pin 10 of U1C and Pin 12 of U1D are connected directly to the output of U22A AND gate. Normally, in the local mode, the output of U22A is low.

When the remote mode is selected and LOCAL-H goes low it is applied to INVERTER U6 and AND gate U30A. The output of AND gate U32A goes low, is inverted and applied to AND gate U25B. The second input to AND gate U25B is QHF-H which is low.

Decoder U7 is one-of-ten selector. All outputs of the decoder are high except the one selected. The outputs of the decoder directly drive the decimal point LED's in the readout (the series resistors are for current limiting).

The gates shown to the right of decoder U7 are used to drive the Hz, kHz, M (M and Hz are both used to display MHz) and GHz lamps. NAND gates U26A, B, C and D are open collector lamp drivers. The common input to these gates is controlled by the combined functions of F2 and KPB. During the time when keyboard entries are being made, the KYBD pushbutton is pressed for readout of the entries, the units lamps are inhibited. When the entry is justified, F2-L goes low and the units lamps are then enabled.

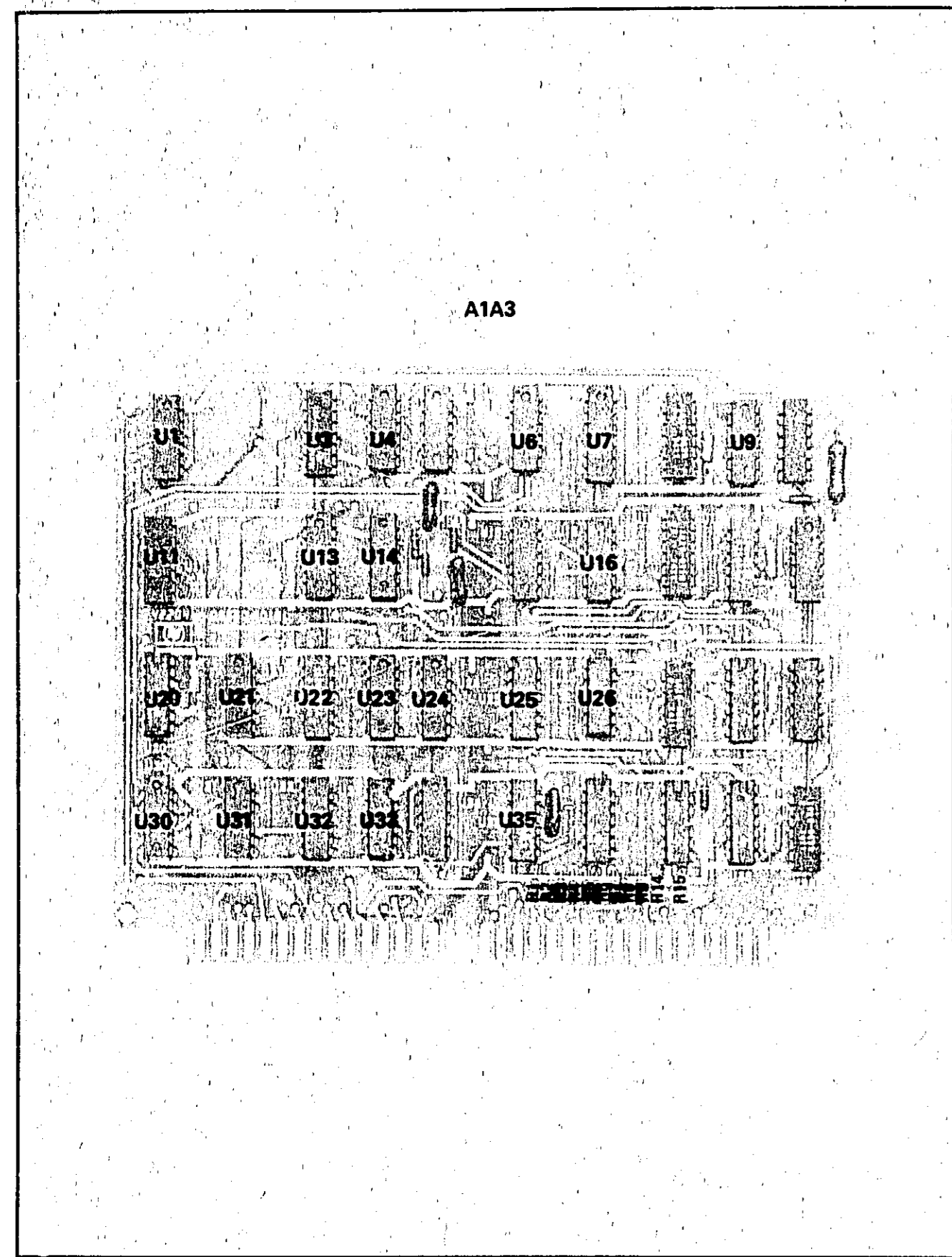


Figure 8-66. P/O A1A3 Readout Control Assembly Component Locations (Part 1)

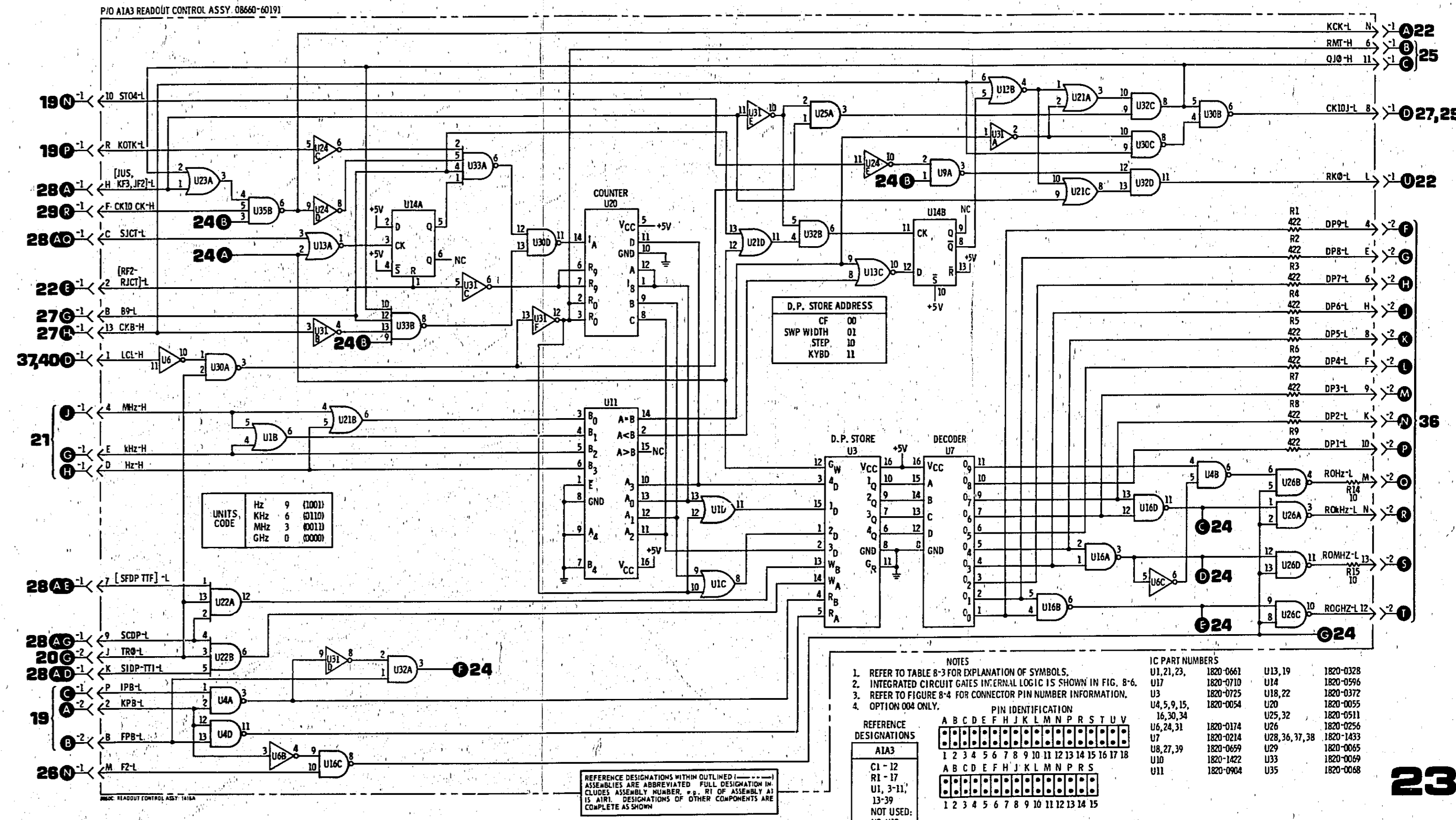


Figure 8-67. P/O A1A3 Readout Control Schematic (Part 1)

SERVICE SHEET 24

P/O READOUT CONTROL ASSEMBLY A1A3

The A1A3 assembly is shown schematically on Service Sheets 23 and 24.

The circuits shown on SS24 consist of the ten digit recirculating readout register, scan control for the readout and a blanking control for the readout.

When new information is to be clocked into the readout register from the T bus, TTRO-L goes low at pin 4 of NAND gate U5B and U5B output goes high. OPRO-L and ROI-L are normally high, so the output of AND gate U25B goes high to select the I₁ inputs of multiplexer U17.

The outputs of multiplexer U17 are applied to U8, U27, U36, U37, U38 and U28. The last five IC's comprise the ten digit register which, in conjunction with other circuits shown on SS24 control operation of the readout.

While the output of AND gate U25B is high the preset enable (PE) to the sync register, U39, is also high. The register will function as a shift register, and, with the J input high, the first four clock pulses will cause the Q outputs of U39 to go high. These outputs of U39, a 15, (1 1 1 1) is the scan synchronizing code.

The output of AND gate U25B also is used to partially control clock inputs to the readout and synch registers.

Many of the gates shown in the lower left of the schematic function to control the clocks. The output of NAND gate U15D clocks the recirculating register including U39, the synch register.

The inputs to NAND gate U15D are from three-input NAND gate U35C and U22C/U24F which function together as a three-input NAND gate. One or the other of these inputs to U15D will be high at any given time and the other input provides the clock pulses.

When new data is being clocked in NAND gate U35C drives NAND gate U15D to clock the recirculating readout register at the system clock rate, 1 MHz. NAND gate U35C is enabled by the output of U34D and the ADDCK-H input which remains high for the period of ten clock pulses required to clock in the information. The system clock pulses are coupled through AND gate U5D and inverted by U6D. C9 and R10 form a one-shot which effectively delays the clock while TTRO is going low. Inverter U24A again inverts the clock before it is applied to NAND gate U34B. Since NAND gate U25B output is high the output of NAND gate U34B goes low with the positive clock pulse to trigger flip/flop U34C/U34D. The output of U34D then goes high to complete the enabling process for NAND gate U35C.

SERVICE SHEET 24 (Cont'd)

When the output of NAND gate U5D goes high the next system clock triggers one-shot U10 and the Q output at pin 6 goes low, typically for a period of 105 microseconds. The low level at U10 Q sets the Q output of flip/flop U29 high and holds it high. The low output from U10 Q also inhibits U4C and blanks the readout through the brightness control.

When NAND gate U4C is inhibited the output goes high and enables one input to AND gate U22C. Since the Q output of flip/flop U29 is high, the inverted system clock is coupled through NAND gate U15B back to the pin 10 input of AND gate U22C.

The third input to AND gate U22C is enabled when TTRO-L goes high and causes the output of NAND gate U5D to go low. Flip/flop U34C/U34D changes state, AND gate U22C is enabled, and the system clock is coupled through inverter U24F and NAND gate U15D to clock the recirculating data. Note that the MSD register, U8, is not being clocked.

As long as the Q output of one-shot U10 is low, (approximately 100 microseconds) AND gate U22C is enabled and the system clock drives the recirculating portion of the register including the sync register, U39. During this portion of the cycle insignificant leading zeros are blanked.

Whenever a leading zero reaches the sync register, U39, all of its outputs are low so the inputs to NOR gates U13D and U19D are low and their outputs are high. The low output of NAND gate U15A is applied to pin 5 of NOR gate U19B. Pin 6 of NOR gate U19B is also low since the Q_H outputs of U38 and U28 are high. The sync code (1111) has recirculated to the Q_H digit of the register. These two high levels are applied to NAND gate U9C which provides the low input to NOR gate U19B. The pin 10 input to AND gate U18C is high. Assume for the time being that the other two inputs to AND gate U18C and the output are all high (these inputs will be discussed later in this text). The high inputs to OR gates U23B, C and D cause the outputs to go high. The output of U18C is inverted by U6F to drive the output of AND gate U25D low. These outputs comprise the blanking code, 14 (1 1 1 0) which will recirculate in the position of a leading zero.

The information in the readout register continues to recirculate until the Q output of U10 returns to a high state. Pin 13 (S) of flip/flop U29 also goes high to allow U29 to function as a J-K flip/flop. U29 Q remains high and the data continues to recirculate until the sync code (15) reaches the sync register, U39.

When the sync code reaches U39 all of the outputs go high to enable the K input to flip/flop U29. The next system clock causes the Q output of U29 to go high. The scan cycle is not initiated.

SERVICE SHEET 24 (Cont'd)

When the Q output of flip/flop U29 goes high, NAND gate U9B output goes low to enable the one-of-twelve selector, U5, on the readout assembly (SS36). The second input to NAND gate U9B at pin 4 is high because command TTRO-L is high.

The high level at the Q output of flip/flop U10 enables NAND gate U4C to allow the 5 kHz SCANCK to be applied to AND gate U22C. The input to pin 9 of U22C is held high by flip/flop U34C/U34D and the pin 10 input is held high by the output of NAND gate U15B. The clock output of AND gate U22C is inverted and applied to NAND gate U15D. The second input to U15D is held high because flip/flop U34C/U34D inhibits NAND gate U35C.

It takes only six clock pulses at the 5 kHz rate (SCANCK) to clock the information in the readout register to the ROM's in the readout assembly.

When the six clock, 5 kHz train has clocked the nine data digits to the readout assembly the sync code (15) has recirculated to the Q_E output of the eight-bit registers. These outputs all go high to enable the J input of flip/flop U29. The next clock pulse causes the Q output of U29 to go high and couple the system clock through NAND gate U15B back to input pin 10 of AND gate U22C. The input to pin 11 of AND gate U22C is high because the 5 kHz clock is low. The system clock continues the recirculating process for four system clock periods at which time the sync code (15) again reaches U39. The K input to flip/flop U29 causes the Q output of U29 to go high and restart the scan cycle.

The scan cycle continues without interruption until the readout register contents are changed by a new entry.

Blanking AND gate U18C is inhibited in several different ways in conjunction with selected frequency units.

When GHz is selected, input pin 9 of NOR gate U19C goes high, the output goes low and AND gate U18C is inhibited. Blanking of the MSD still occurs if the MSD is a zero because the low Q₃ output of U5 turns off transistor switch Q1 in the readout assembly.

When MHz is selected all leading insignificant zeros are blanked until the sync code (15) reaches Q_E in the 8-bit registers. All inputs to AND gate U18A are high and the output also goes high. The high input to NOR gate U19A causes the output to go low and inhibit AND gate U18C. Blanking of zeros following the MHz decimal point is prevented.

When kHz is selected all leading zeros are blanked until a number is reached or the sync code reaches Q_B of the 8-bit registers. All inputs to AND gate U18B go high and the output goes high. The high input to NOR gate U19A causes the output

SERVICE SHEET 24 (Cont'd)

to go low and inhibit AND gate U18C. Blanking of zeros following the kHz decimal point is prevented.

When Hz is selected all leading zeros are blanked.

Inputs OPR-L and OPRO-L are used only in option 004, 100 Hz resolution to 1.3 GHz resolution (200 Hz to 2.6 GHz resolution) instruments. These inputs last for two clock pulses and they force the two least significant digits to zero.

Input ROI-L establishes priority for the readout during manual sweep.

When one of the pushbuttons is pressed to call up the contents of a given register it takes priority and is displayed regardless of any change in manual sweep. When the pushbutton is released the readout will again display the manual sweep frequency.

Whenever the selected output frequency of the RF Section is 1.3 GHz or higher the DBL-L line goes low. When the DBL-L line goes low it is inverted and applied to NAND gate U35A. This signal, in conjunction with other inputs to U35A cause flip-flop U5A/U5C to change states. The output of NAND gate U5A goes low and inhibits AND gate U25C. U25C then prevents BCD 1 from being clocked into U8. The next inverted clock pulse then causes the state of flip-flop U5C/U5A to again change state. This action prevents the least significant digit from being an odd number.

In Option 004 instruments operating above 1.3 GHz, the lowest increment is 200 Hz. In this configuration, the output of U5A remains high for the first three BC inputs to the readout control register. This is accomplished by moving R16 to the boxed in area and control-line the reset of flip-flop U5C/U5A by means of U39, U19D and the Q_H outputs of U36, U37, U38 and U28. When the Q₂ and Q₃ outputs of U39 go high, the output of U19D goes low to reset flip-flop U5C/U5D to enable AND gate U25C. The fourth input and all higher digits may be odd numbers.

SERVICE SHEET 24 (Cont'd)

Table 8-51. Readout Register Leading Zero Blanking

MSD	ROM A				ROM B				S		
	Q _A	Q _B	Q _C	Q _D	Q _E	Q _F	Q _G	Q _H			
U8	U27	U36	U37	U38	U28	U36	U37	U38	U28	U39	
B	0	0	0	1	2	3	4	5	6	S	Initial state Hz
S	0	0	0	0	1	2	3	4	5	6	
6	S	0	0	0	0	1	2	3	4	5	
5	6	5	0	0	0	0	1	2	3	4	
4	5	6	S	0	0	0	0	1	2	3	
3	4	5	6	S	0	0	0	0	1	2	
2	3	4	5	6	S	0	0	0	0	1	
1	2	3	4	5	6	S	0	0	0	0	
0	1	2	3	4	5	6	S	0	0	0	
0	0	1	2	3	4	5	6	S	0	0	Detect zero
0	0	0	1	2	3	4	5	6	S	B	Blank (code 14)
B	0	0	0	1	2	3	4	5	6	S	
S	B	0	0	0	1	2	3	4	5	6	
6	S	B	0	0	0	1	2	3	4	5	
5	6	S	B	0	0	0	1	2	3	4	
4	5	6	S	B	0	0	0	1	2	3	
3	4	5	6	S	B	0	0	0	1	2	
2	3	4	5	6	S	B	0	0	0	1	
1	2	3	4	5	6	S	B	0	0	0	
0	1	2	3	4	5	6	S	0	B	0	
0	0	1	2	3	4	5	6	S	B	B	Detect zero
											Blank (code 14)
B	B	B	1	2	3	4	5	6	S		Final state.

SERVICE SHEET 24 (Cont'd)

Table 8-52. Readout Register Significant Zero Blanking Inhibit

MSD	ROM A				ROM B				S		
	Q _A	Q _B	Q _C	Q _D	Q _E	Q _F	Q _G	Q _H			
U8	U27	U36	U37	U38	U28	U36	U37	U38	U28	U39	
B	B	B	B	.0	5	4	3	2	1	S	Initial state (MHz)
S	B	B	B	.0	5	4	3	2	1		
1	S	B	B	B	.0	5	4	3	2		
2	1	S	B	B	B	.0	5	4	3		
3	2	1	S	B	B	B	.0	5	4		
4	3	2	1	S	B	B	B	.0	5		
5	4	3	2	1	S	B	B	B	.0		Detect zero
.0	5	4	3	2	1	S	B	B	B	.0	Inhibit blanking
B	.0	5	4	3	2	1	S	B	B	B	Q outputs binary
B	B	.0	5	4	3	2	1	S	B	B	4 and 8 along with
B	B	B	.0	5	4	3	2	1	S		MHz line drives U19
											output low to inhibit blanking
B	B	B	B	.0	5	4	3	2	1	S	Final state (MHz)

Table 8-53. Readout Register Recirculating Cycle

MSD	ROM A				ROM B				S		
	Q _A	Q _B	Q _C	Q _D	Q _E	Q _F	Q _G	Q _H			
U8	U27	U36	U37	U38	U28	U36	U37	U38	U28	U39	
0	0	0	0	1	2	3	4	5	6	S	Initial State
S	0	0	0	0	1	2	3	4	5	6	
6	S	0	0	0	0	1	2	3	4	5	
5	6	S	0	0	0	0	1	2	3	4	5 kHz
4	5	6	S	0	0	0	0	1	2	3	clock
3	4	5	6	S	0	0	0	0	1	2	
2	3	4	5	6	S	0	0	0	0	1	Detects
1	2	3	4	5	6	S	0	0	0	0	code 15
0	1	2	3	4	5	6	S	0	0	0	
0	0	1	2	3	4	5	6	S	0	0	1 MHz
0	0	0	1	2	3	4	5	6	S	0	clock
0	0	0	0	1	2	3	4	5	6	S	Return to
											initial state

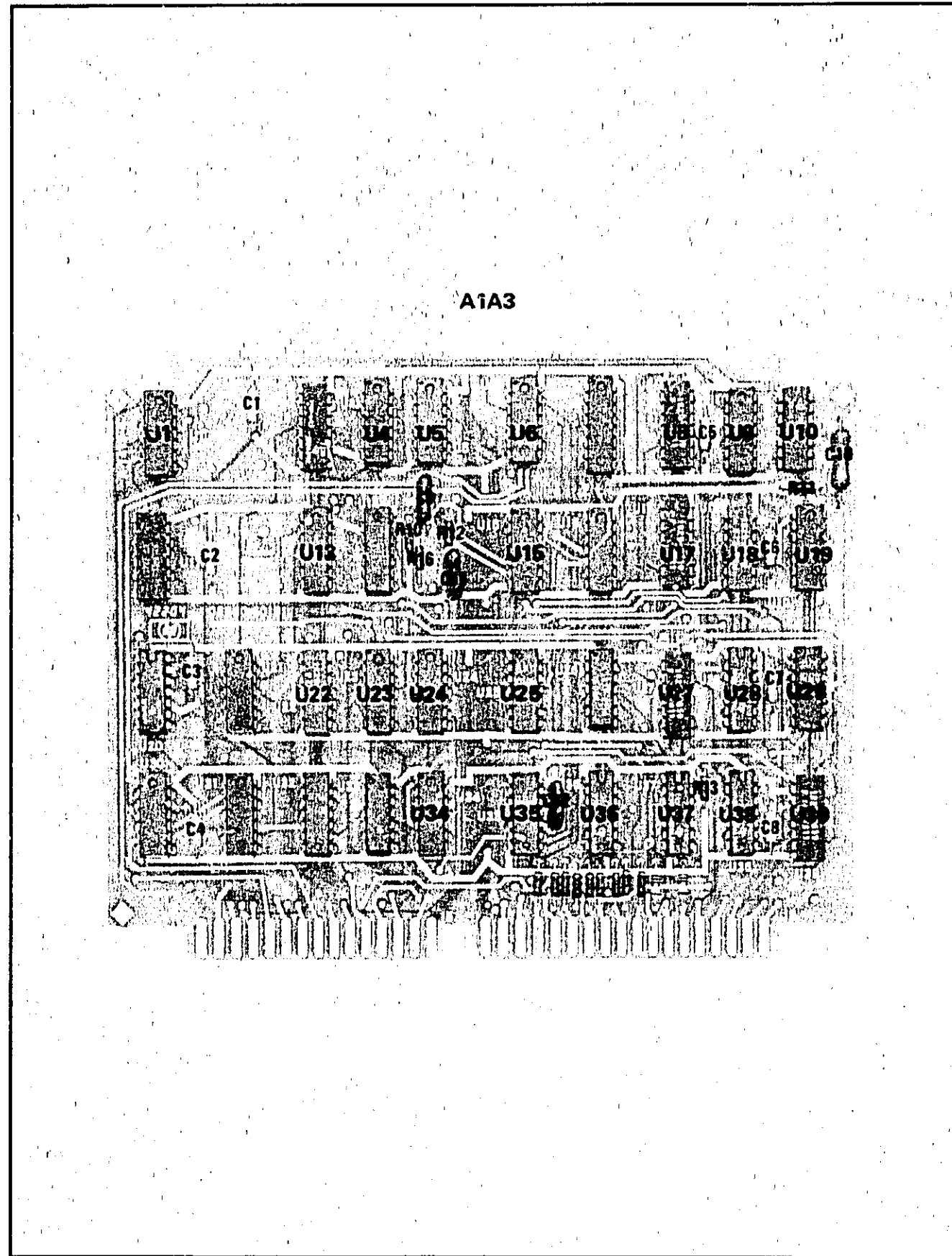


Figure 8-68. P/O A1A3 Readout Control Assembly Component Locations (Part 2)

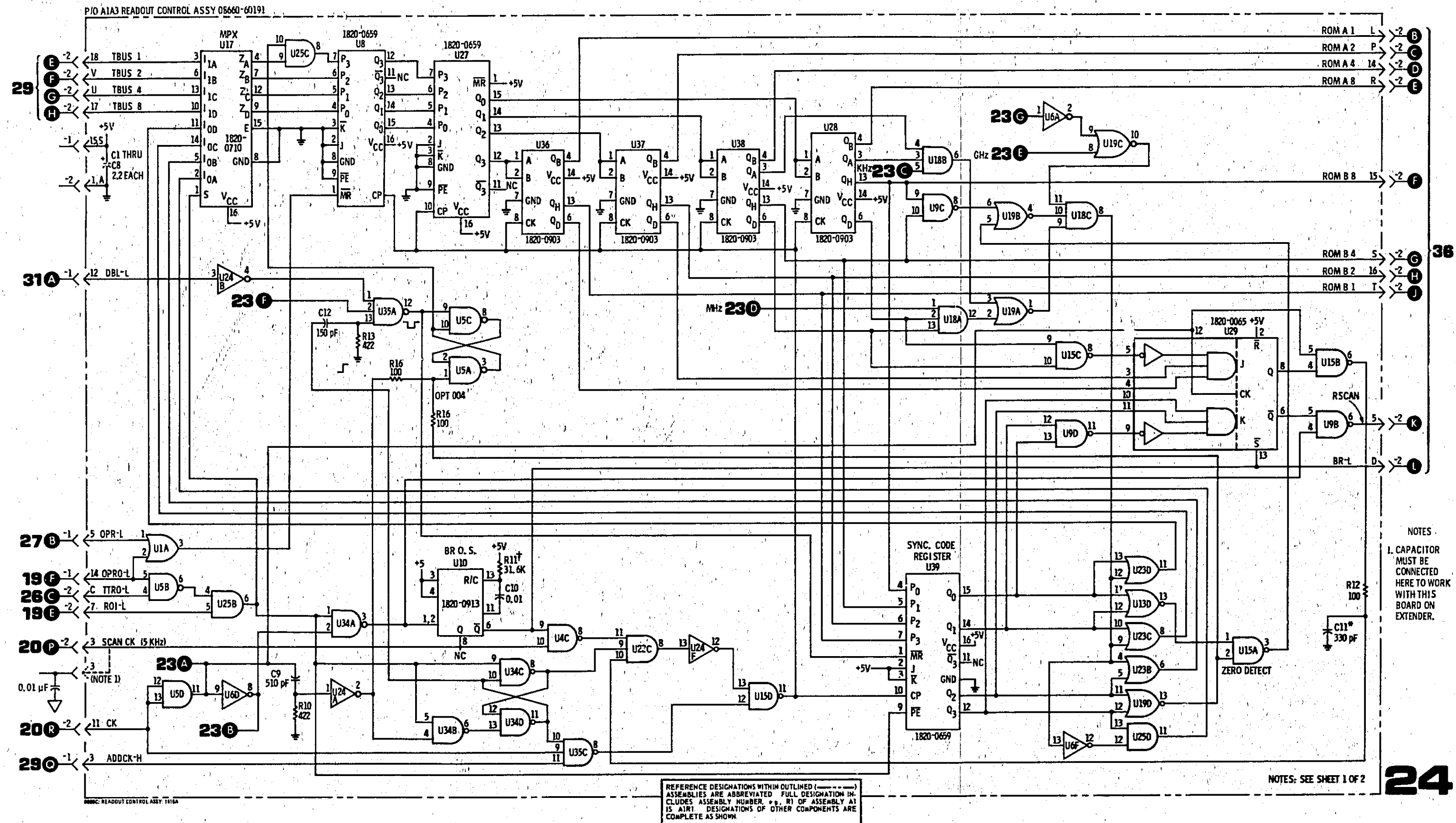


Figure 8-69. P/O A1A3 Readout Control Schematic (Part 2)

SERVICE SHEET 25**P/O ROM INPUT ASSEMBLY A1A4**

The A1A4 (SS25 and 26) and the A1A5 (SS27 and 28) assemblies contain most of the micro-programming circuits that control the entire instrument.

The A1A4 assembly contains the qualifier select circuit shown on SS25 and the seven flip ROMs and qualifier flip/flops shown on SS26.

Because of the number of inputs from other assemblies to the circuit shown on SS25 the inputs are shown at the bottom of the page. The only output on SS25 is the output of U1 labeled A 26. This output provides the eighth address bit for the ROMs shown on SS26.

U18, U9, U19, U20, U21, U22 and U23 are four input one-of-sixteen selectors. The A, B, C and D inputs are positive logic binary 1 2 4 8 format from the A₀, A₁, A₂ and A₃ outputs of the seven state flip/flops shown on SS26. These inputs are applied to all of the selectors in parallel. However, only one of the selectors is active at any given time.

One-of-ten selector U10 (only 7 outputs are used) is controlled by the A₄, A₅ and A₆ outputs of the seven state flip/flops shown on SS26. All of the U10 outputs are high except the one selected. The

D input to U10 is grounded because only three data bits are required to select the output (BCD 4, 2 and 1).

It is readily apparent from the circuit configuration that the state for any of the inputs to the code selectors is easily detected. As an example, assume that the inputs from the seven state flip/flops are all low. The U10 0₀ output is low and U23 (code 0) is selected. Since the A, B, C and D inputs to U23 are all low, input E₀ is selected. The E₀ input is qualifier F10-H. If an Entry has not been made, F10-H is low the \bar{W} output of U23 is high and the instrument is held in state 0/0. If the F10-H input is high, the \bar{W} output of U23 goes low, the output of U1 goes high and the next state is selected.

In the foregoing example, assume that qualifier F10-H was high. Referring to the ASM chart it may be seen that the next state is 4/0 (100 0000). Since the input to U10 is now a 4 (100) U19 is selected. The A, B, C and D inputs to U19 are all low so once again E₀ input is selected. The input to E₀ is from the F7-H flip/flop shown on SS26. It may be seen on the algorithm that if F7 is high the next state is 0/1, if low, 5/0.

AND gate U2C combines CKA-H and CKB-H when they are both high to provide inputs to U20 and U21. These inputs are used in states 3/1, 3/0, 2/13 and 2/12.

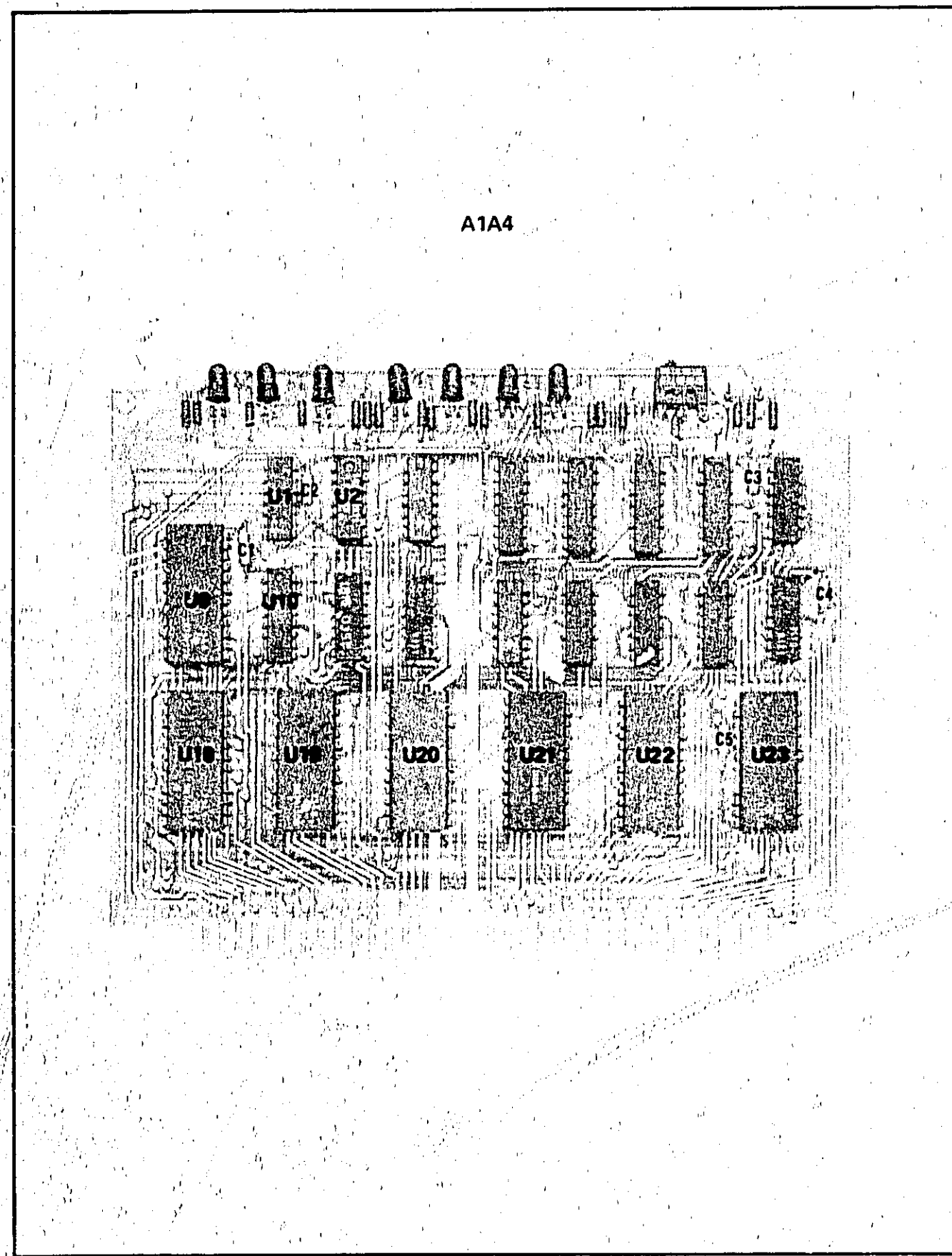


Figure 8-70. P/O A1A4 ROM Input Assembly Component Locations (Part 1)

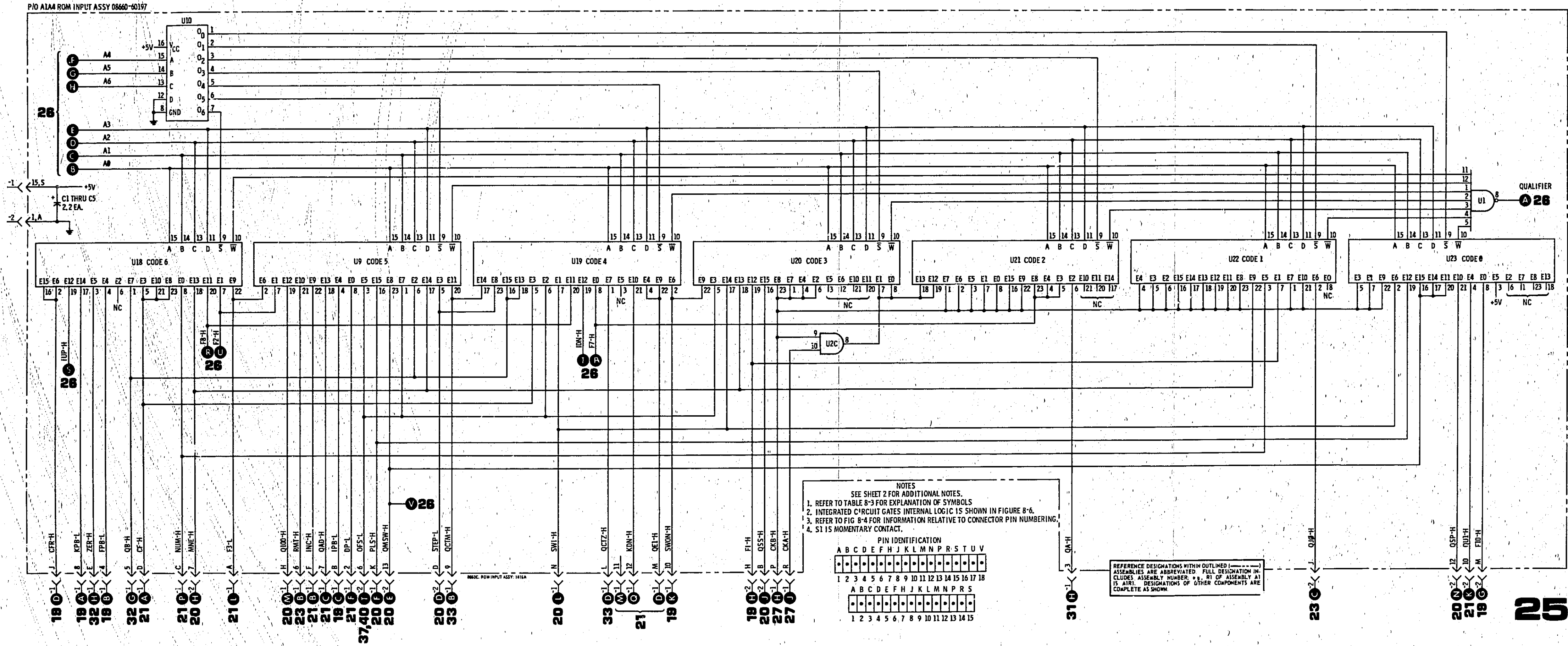


Figure 8-71. P/O A1A4 ROM Input Schematic (Part 1)

SERVICE SHEET 26

P/O ROM INPUT ASSEMBLY A1A4

The A1A4 (SS25 and 26) and the A1A5 (SS27 and 28) assemblies contain most of the micro-programming circuits that control the entire instrument.

The A1A4 assembly contains the qualifier select circuit shown on SS25. The seven-state flip/flops, ROM's, and qualifier flip/flops are shown on SS26.

Seven J-K flip/flops, U6A, U5A, U4A, U7B, U5B, U6B and U4B form the seven-state flip/flops. The outputs of these flip/flops provide seven of the eight address bits required to control the next state outputs of ROM's U11, U12 and U17. The outputs also control the qualifier selector circuits shown on SS25 and the output instruction selectors on SS28 and SS19.

The eighth address bit to the ROM's is supplied by the selector circuit shown on SS25. When the seven-state flip/flops are clocked all four of the outputs from ROM U11 and three of the outputs from ROM U12 determine the next machine state. The remaining output of ROM U12 and all four of the outputs from ROM U17 are used directly as output instructions.

The light emitting diodes (LED's) connected between the \bar{Q} outputs of the seven-state flip/flops and +5V indicate the machine state. These LED's light when the \bar{Q} outputs of the flip/flops go low. Proper utilization of these LED's in the manual test mode will enable the technician to quickly isolate the cause of a problem to the assembly or even the circuit level. In the automatic mode of operation the machine states change so rapidly that the LED's serve no useful purpose.

At the far left of the schematic, U7, a J-K flip/flop is used to set the manual test mode. When TP9 is momentarily grounded \bar{Q} goes low to inhibit the clock gate, U8A. Momentarily grounding TP8 will reset the flip/flop causing the \bar{Q} output to go high and enable the clock gate, U8A. This returns the instrument to the automatic mode. The PRDT-L (power detect) input, which is low when the instrument is first turned on ensures that the automatic mode of operation is selected.

In order to use the manual test mode facilities it is necessary to momentarily ground or pulse the manual test point, TP9. The machine state may be 0/0 (all LED's out) or may be any state in an operation sequence. If state 0/0 test point, is desired, momentarily ground or pulse the state 0/0 test point, TP10. Any machine state may now be set by momentarily grounding or pulsing the appropriate seven-state flip/flop test points.

SERVICE SHEET 26 (Cont'd)

If, for instance, TP7, TP4 and TP1 were momentarily grounded or pulsed, the machine state would be 4/9 (100 1001). The ASM chart shows the qualifier QEI (qualifier entry instruction) following state 4/9. If an entry instruction (CF, STEP or SWP) is being made (key held down), pressing the MAN SW microswitch should cause the next state to be 5/9 (101 1001) as shown by the LED's. If the state 5/9 is not present, the operation was incorrect. Refer to Table 8-4, Mnemonics Information, locate qualifier QEI, read across the page to determine where the qualifier originates and refer to the applicable service sheet to effect necessary repairs.

When NAND gate U8A pin 1 goes low pin 3 goes high to enable AND gate U2B. The clock pulse source is now flip/flop U15B. Normally, the \bar{R} and \bar{CK} inputs to U15B are held low by R2 and the \bar{Q} output is high. As soon as SW1 NC contacts are opened the \bar{R} input to U15B goes high. When the SW1 NO contacts are closed the U15B CK goes high but this does not affect the output since J-K flip/flops are triggered by a negative-going transition. When SW1 is released it is returned to the NC position. The negative-going transition at the CK input causes U15B \bar{Q} to go low. The output of AND gate U2B goes low and the outputs of inverters U13C and U13F go high. When the NC contacts of SW1 are again closed, the \bar{R} input to U15B again goes low to cause the \bar{Q} output to go high, AND gate U2B output goes high and the outputs of inverters U13C and U13F go low to clock the seven-state flip/flops.

AND gates U2A and U2D are used to reset the seven-state flip/flops to state 0/0 when PRDT-L is low or when TP10 is momentarily grounded or pulsed.

The J-K flip/flops shown in the lower part of the schematic provide qualifiers; most of which are used in the selector circuits shown on SS25. These flip/flops are all clocked by the system (1 MHz) clock. They are also reset (\bar{Q} goes high) when PRDT-L is active or TP10 is momentarily grounded or pulsed.

Flip/flop U16A generates the F7 qualifier. The K inputs is an instruction (KF7-H) which appears in states 2/9 and 1/0. The J input goes high whenever JF7B-L or (JF7A, 1LD)-L goes low. F7 is fundamentally the sweep flip/flop but it also functions in the remote mode.

U15A is the sweep ramp qualifier flip/flop F8. It appears in states 6/11 and 4/11.

U14B (IUP) inhibits the sweep up operation when QCTM-H (qualifier count maximum) on the sweep count assembly A1A8 goes high.

U14A (IDN) inhibits the sweep down operation when QCTZ (qualifier count zero) on the sweep count assembly A1A8 goes high.

U16B (F2) is active (\bar{Q} low) only for the first keyboard entry.

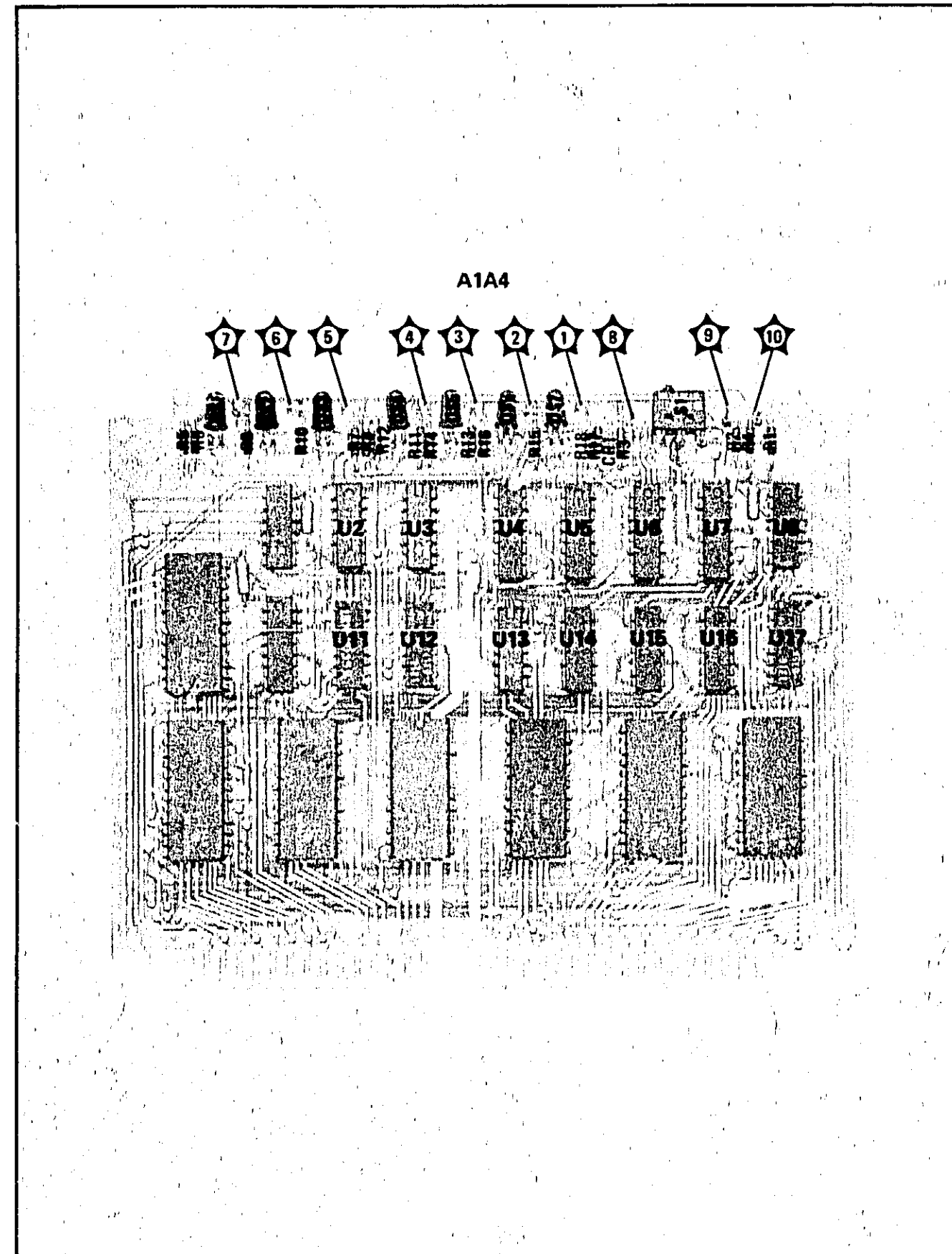


Figure 8-72. P/O A1A4 ROM Input Assembly Component Locations (Part 2)

P/O A1A4 ROM INPUT ASSY 08660-60197

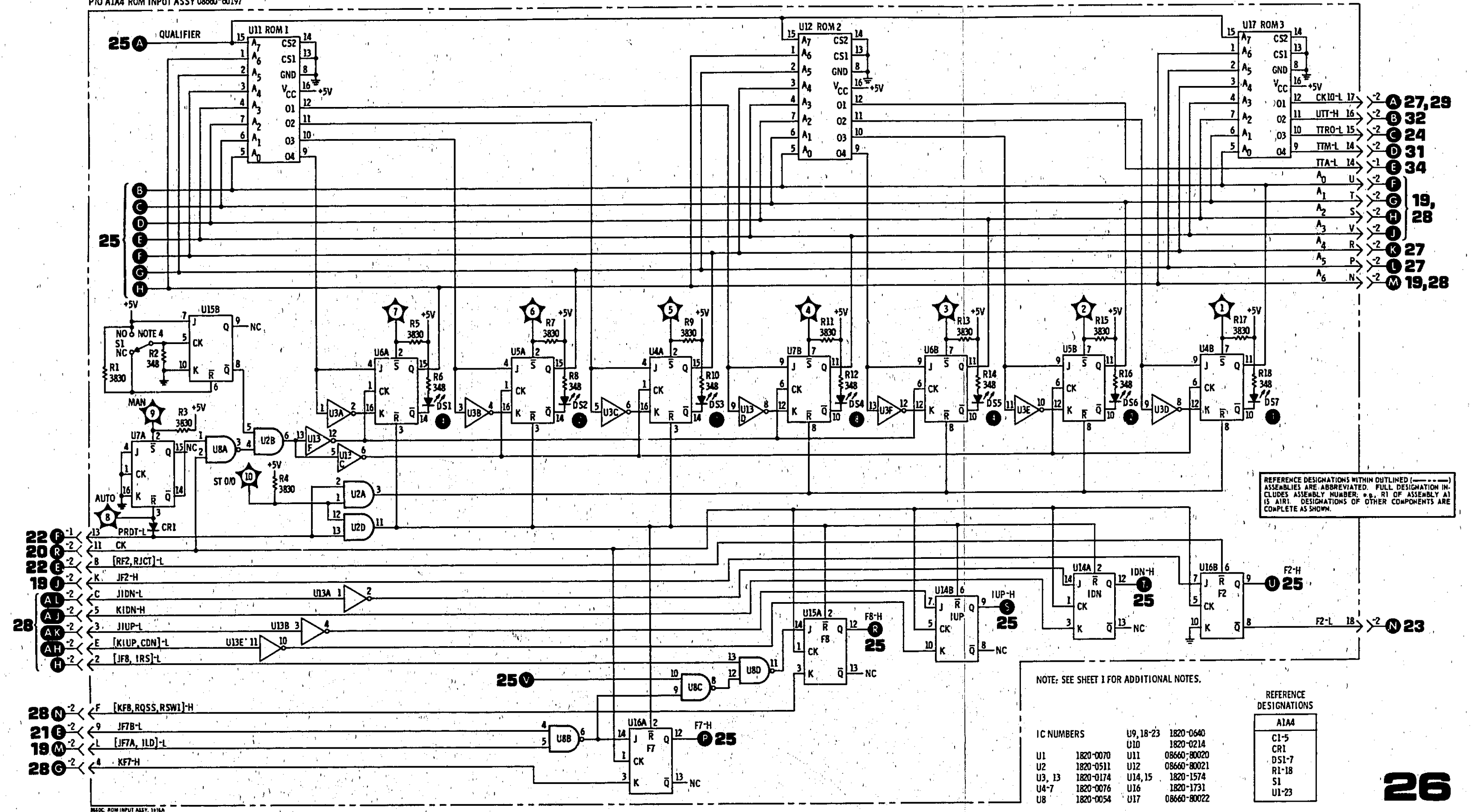


Figure 8-73. P/O A1A4 ROM Input Schematic (Part 2)

SERVICE SHEET 27**P/O ROM OUTPUT ASSEMBLY A1A5**

The A1A4 (SS25 and 26) and the A1A5 (SS27 and 28) assemblies contain most of the micro-programming circuits that control operation of the entire instrument.

U18, shown in the center of the schematic, is the major control element for most of the circuits shown on this service sheet. It is a preset counter but is used only as a binary counter. When U18 is not active the master reset, \overline{MR} , input is low and all of the Q outputs are held low.

Any of the clock inputs, except the system clock, will inhibit NAND gate U9B and enable binary counter U18 by removing the reset input.

As an example of circuit operation, assume that the CK12-L input goes low. The output of AND gate U11A goes low to cause the output of NAND gates U9A and U9B to go high. This inhibits the \overline{MR} input to U18. Since the output of U21A is low at this time, the output of inverter U10C is high and the clock is coupled through NAND gate U9C to U18.

When CK12-L went low it was inverted by U4E and used to enable NAND gate U20A. U20A, U20B and U21A form a detect circuit which provides the CKA-H output for the binary number selected.

In the case of CK12-L, when the output of U18 reaches 12 (1100), the output of U20A goes low and causes the output of U21A to go high.

While U20A and U21A were detecting a specific binary number, U19 was also detecting counts of 10, 11, and 12. When the count of 10 (1010) is reached the output of NAND gate U19C goes low and causes the output of U19D to go high. When the count of 11 (1011) is reached the CKB-H output remains high because NAND gate U19C is still enabled. When the count of 12 is reached NAND gate U19A is enabled so CKB-H is still high. The outputs of U21A (CKA) and U19D (CKB) are ANDed together in the system, and when the 12 count is reached, the combined signal enables the state machine to go to the next state. In doing so, the CK12-L input goes high again, causing reset of U18 through U11A and U9B.

NAND gate U19B produces the B9-L output which goes low on the 9th clock pulse. It is used in the readout control assembly to limit a normal ten-clock train to 9 clocks.

The output labeled OPR-L is used in the readout control assembly to set the two least significant readout digits to 0 in Option 004 instruments.

Output A2TR-H enables output gates for the 12 digit portion of the A register assembly.

The A4 and A5 inputs are from the seven-state flip/flops in the switch control assembly, A1A4. The 2-bit code on these inputs is decoded by the gates shown in the lower right corner of the schematic to produce one of four outputs. Output G20 enables the code 0 instruction decoder on A1A1. The outputs labeled 28, E, F and G enable the code 1, 2 and 3 instruction decoders shown on SS28.

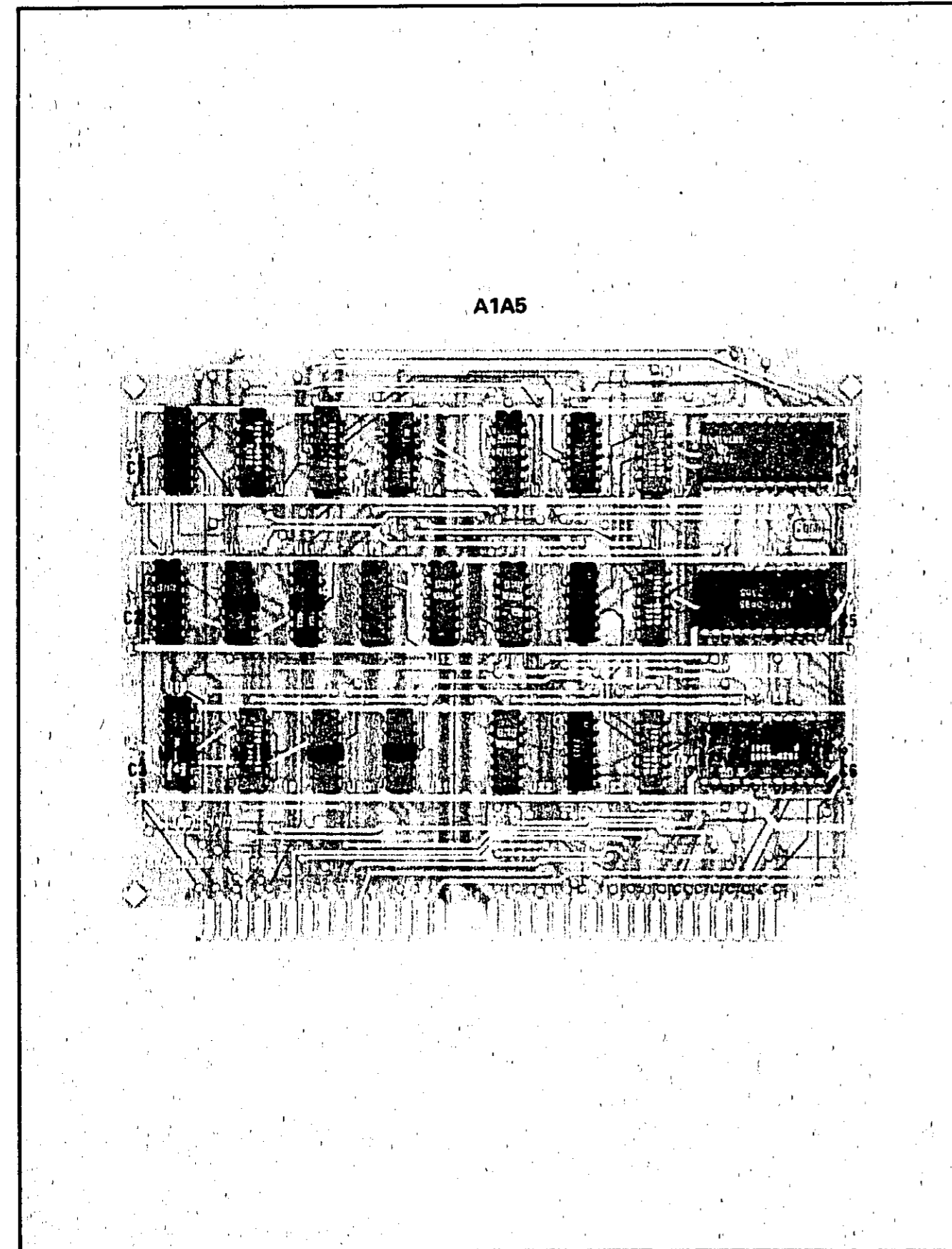


Figure 8-74. P/O A1A5 ROM Output Assembly Component Locations (Part 1)

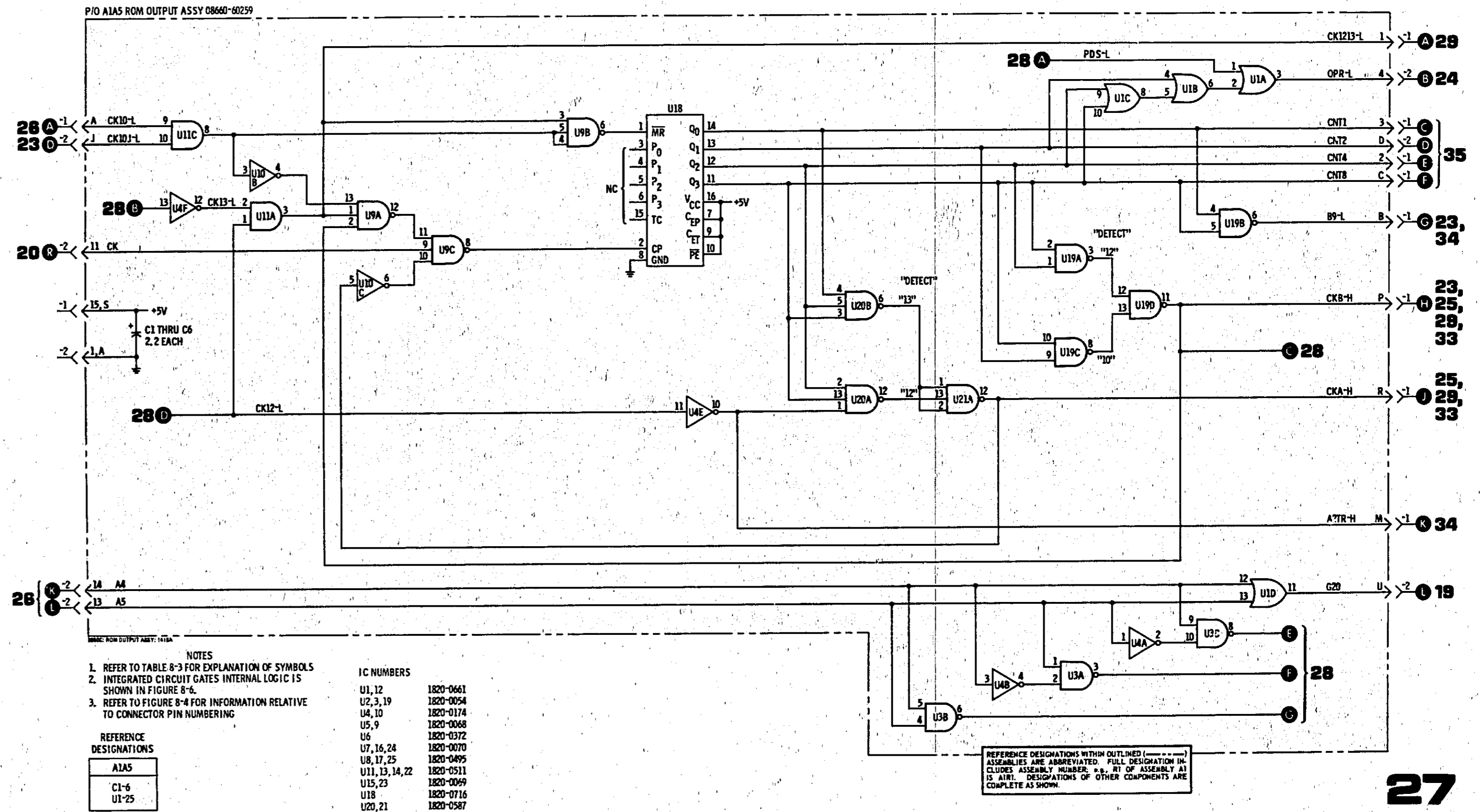


Figure 8-75. P/O A1A5 ROM Output Schematic (Part 1)

SERVICE SHEET 28**P/O ROM OUTPUT ASSEMBLY A1A5**

The A1A4 (SS25 and 26) and the A1A5 (SS27 and 28) assemblies contain most of the micro-programming circuits that control operation of the entire instrument.

All of the gates shown on SS28 are controlled by the 4-line-to-16-line instruction decoders U25, U17 and U8. These decoders have six inputs, all of which are required to decode to the single output. All outputs are high except the one decoded.

Note that the decoders are labeled CODE 1, CODE 2 and CODE 3. These code numbers and the output numbers of the decoders quickly reveal the machine state code as shown on the algorithm, which is the state of the seven-state flip/flops in the ROM input assembly.

The gates shown combine the decoder outputs to provide the desired instruction.

As an example, assume that output 6 of U25 is low. Decoder U25 is labeled CODE 1 (001) and the decoded output is 6 (0110). The state code is 1/6 and the outputs of the seven-state flip/flops is 001 0110. Instructions (JUS, KF3, JF2)-L are low.

The example quoted for the instructions in state 1/6 is very simple. Generation of many of the instructions is more complex when the instruction is decoded from several machine states.

Take, as an example, state 2/5 (output 5 of U16). Following the line across the schematic leads to instruction SCDP-L, set center frequency decimal point - assertive state low. The state 2/5 low output from U16 is applied to inverter U4C and its high output causes TTC-H, T bus to center frequency register - assertive state high, to go high. The state 2/5 output from U17 is also applied to AND gate U13B, the pin 12 input to NAND gate U2D goes low and KTT-H keyboard to T bus - assertive state high, goes high.

The instruction SCDP-L occurs only in state 2/5. However, some of the other instructions generated in state 2/5 are also generated in other states.

Instruction TTC-H is also made to go high when NAND gate U23B pin 8 CTR-H goes high. This occurs when any one of the inputs to U23B goes low in states 1/15, 1/14, 2/0 or 2/1.

Instruction KTT-H also goes high when the pin 5 input to U13B goes low in state 1/4. KTT-H goes high and JF3-L goes low when any of the inputs to AND gate U6A go low in states 1/13, 1/12 or 1/11. Input pin 5 of U21B also causes JF3-L to go low in state 1/0, but does not affect KTT-H.

Any of the instruction paths may be quickly checked by setting the instrument to the manual test mode and to the state to be checked. The machine state block in the algorithm indicates all instructions required in the set state.

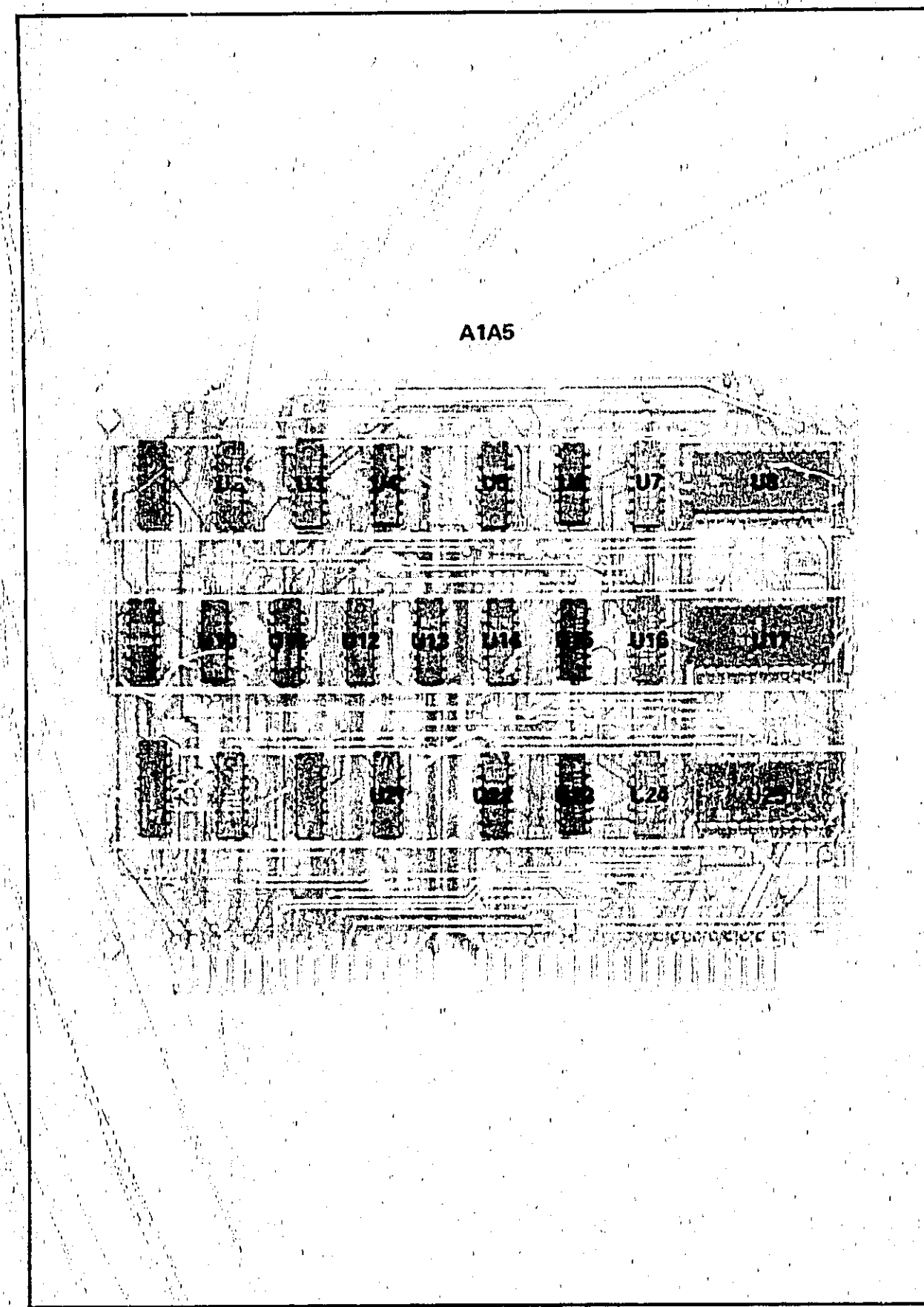


Figure 8-76. P/O A1A5 ROM Output Assembly Component Locations (Part 2)

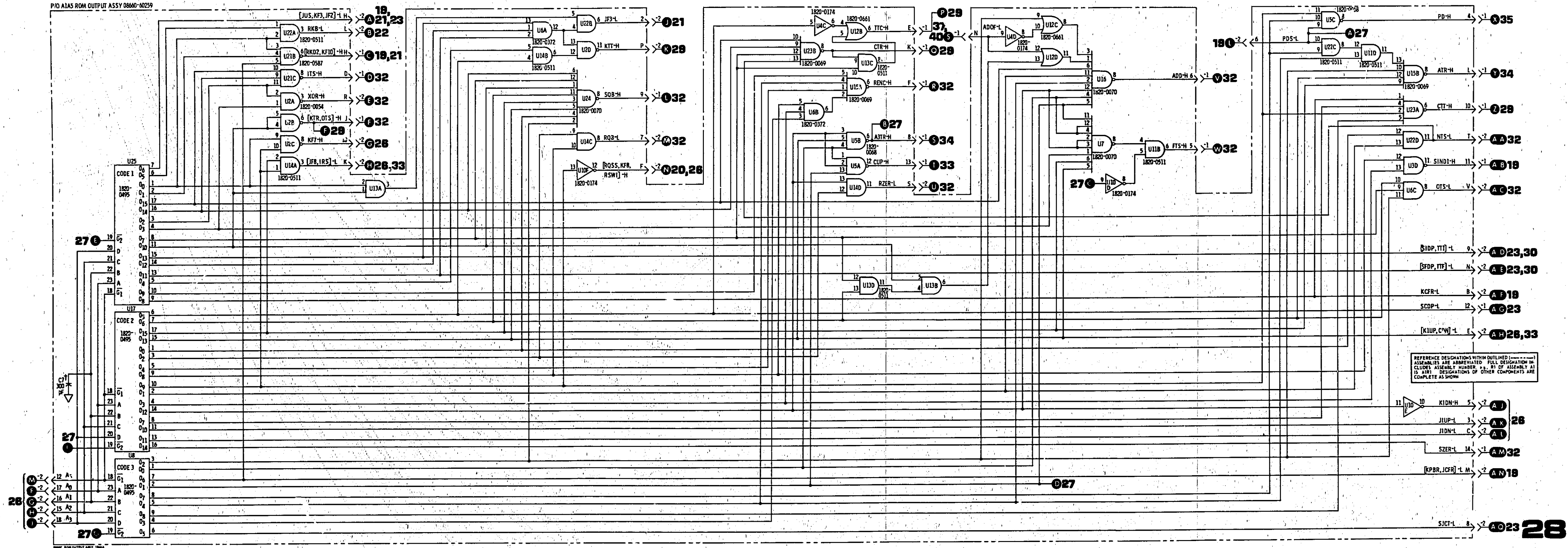


Figure 8-77. P/O A1A5 ROM Output Schematic (Part 2)

SERVICE SHEET 29**P/O REGISTER ASSEMBLY A1A6**

A1A6 register assembly circuits are shown schematically on Service Sheets 29, 30 and 31.

Service Sheet 29 shows the center frequency register and some clock control gating circuits.

The center frequency register, consisting of U9, U18, U28 and U38, is a ten digit recirculating shift register. U9 and U18 are dual 8-bit registers with built-in multiplexers. U28 and U38 are single-digit four-bit registers; they store the least significant digits (U38 digit 1 and U28 digit 2). U9 stores BCD 1 and 2 data and U18 stores BCD 4 and 8 data.

When the instrument is first turned on PRDT-L is low, the \overline{MR} inputs to the registers are low and the register is held in the reset state until the power supply is stabilized.

When a new center frequency is entered on the keyboard and transferred to the T bus, it is not immediately entered into the center frequency register. It is, instead, first entered in the M register (SS31). If the M register and associated gates determine that the center frequency selected is within the output range of the RF Section installed, KTT-H and TTC-H both go high and the contents of the keyboard shift register is transferred to the center frequency register. If the center frequency entered is out of range it is rejected and the center frequency register retains the last valid entry.

When CTR-H goes high, the U33 NAND gates are enabled and the data stored in the center frequency register is clocked out to the R bus. The data is also clocked back into the center frequency register for future use. While the data is being clocked out TTC-H is low so the DOB and DOA inputs of U7 and U16 are selected and the data recirculates.

The data stored in the center frequency register may also be transferred back to the T bus when desired. This occurs when CTT-H goes high.

The input lines labeled KA, KB, KC and KD are the inputs from the keyboard register. When these inputs carry data to be used in the plug-in sections,

ST01-L is low and is inverted by U40B to enable the U39 AND gates. NAND gate U19A is also enabled to provide a burst of ten clock pulses (PICK-L) to the appropriate plug-in register. This operation occurs in the remote mode of operation.

The clock pulses for the center frequency, step and sweep registers are provided by AND gate U8B. A train of ten clock pulses is provided when the following conditions exist:

1. The low CKB-H level is inverted and applied to pin 5 of AND gate U10B.
2. The low CK10-L level is inverted by U40E and applied to pin 4 of AND gate U10B.
3. The system clock is present at U10B pin 3.

Input CK10-L initiates the clock burst when it goes low. The input CKB-H from the clock generator portion of A1A5 (SS27) goes high on the 10th clock and inhibits further output from U8B.

AND gate U10C provides a train of 10, 12 or 13 clock pulses to drive the M register (SS31), when TTM-L at 31 B goes low. The CK10-L and CKB-H will enable and inhibit respectively a clock burst of ten pulses by their drive through U20A and U10A to U10C. The clock pulses are then coupled through U10C to the M register.

Three other clocks originate in the gating circuits shown on SS29. They are:

1. CK10CK-H used in the A1A3 readout control assembly, 10 clock pulses long.
2. ADDCK-H used in the A1A7 ALU assembly and A1A3 readout control assembly, may be 10, 12 or 13 clock pulses long.
3. AREGCK-H used in the A1A9 A register assembly, may be 10, 12 or 13 clock pulses long.

These are similarly generated when enabled by CK1213-L, or CK10-L, or CK10J-L and inhibited by combined sequential operation of CKB-H and CKA-H. The latter two limit clock bursts to 10, 12 or 13 pulses.

The U15 NAND gates permit passage of BCD data from the keyboard SR to the A6U.

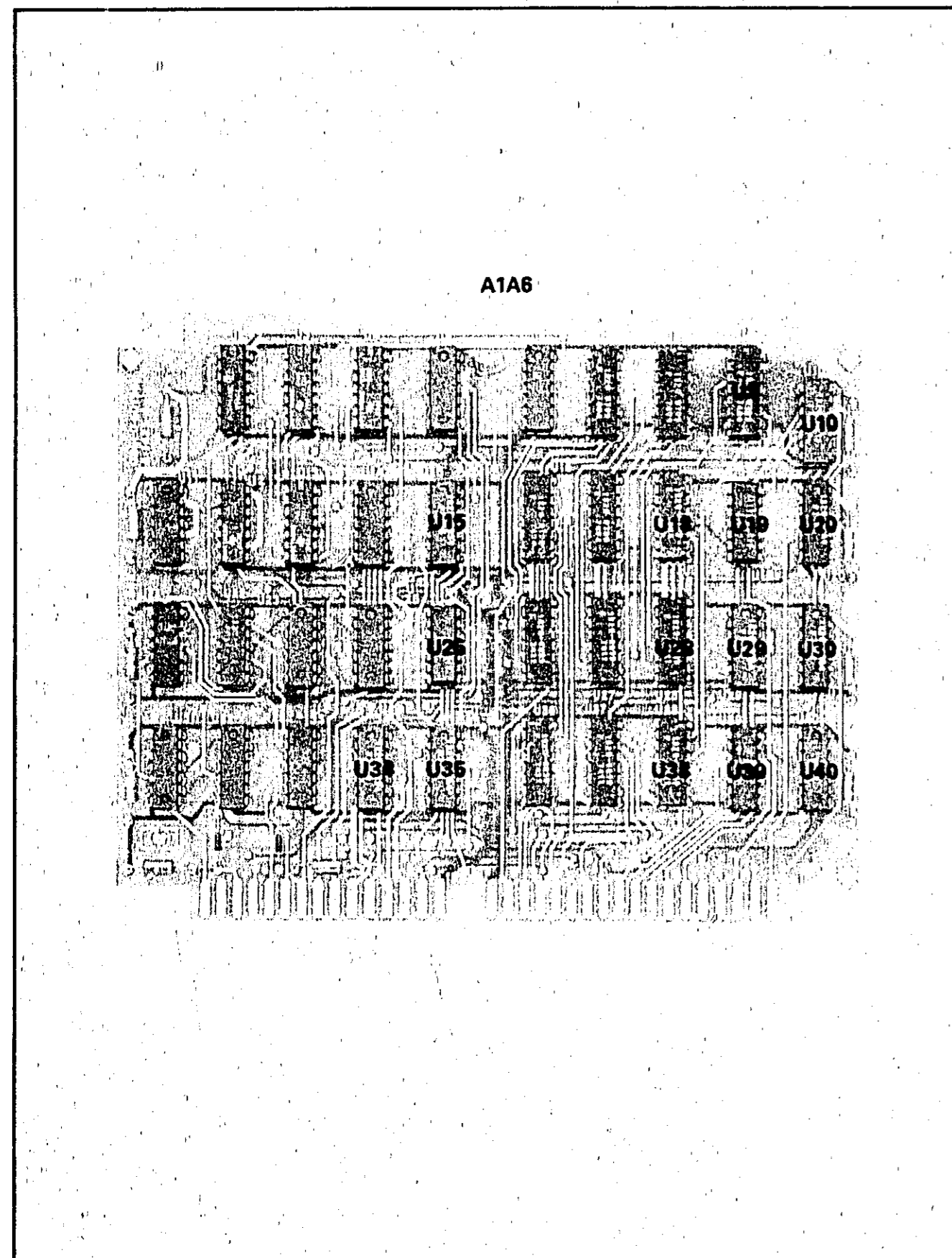
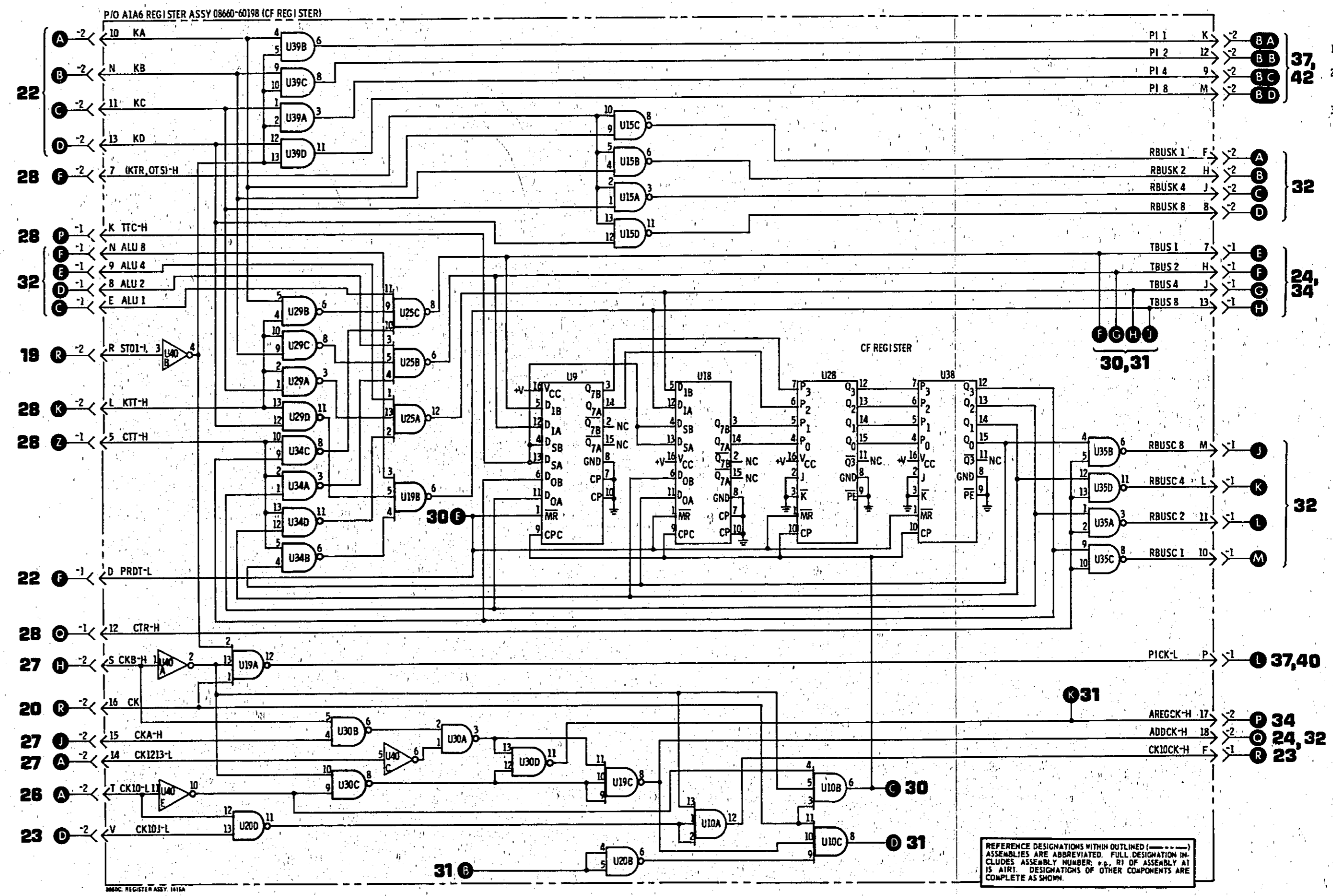


Figure 8-78. P/O A1A6 Register Assembly Component Locations (Part 1)



REFERENCE DESIGNATIONS WITHIN OUTLINED (---) ASSEMBLIES ARE ABBREVIATED. FULL DESIGNATION INCLUDES ASSEMBLY NUMBER, e.g., R1 OF ASSEMBLY AT IS AIR1. DESIGNATIONS OF OTHER COMPONENTS ARE COMPLETE AS SHOWN.

- NOTES
- REFER TO TABLE B-3 FOR EXPLANATION OF SYMBOLS
 - INTEGRATED CIRCUIT GATES INTERNAL LOGIC IS SHOWN IN FIGURE 8-6.
 - REFER TO FIGURE 8-4 FOR CONNECTOR PIN NUMBERING.

REFERENCE DESIGNATIONS

A1A6
C1-10
R1, 2
U2-10, 12-40
NOT USED U1, 11

IC PART NUMBERS

U3, 4	1820-1433
U5, 31	1820-0661
U6, 14, 23	1820-0328
U7, 9, 16-18	1820-0709
U10, 22	1820-0372
U12, 13	1820-0903
U15, 20, 29, 30, 34, 35	1820-0054
U19, 25	1820-0068
U21, 39	1820-0511
U24, 32	1820-0583
U26, 27, 28, 36, 37, 38	1820-0659
U33	1820-0587
U40	1820-0174
U2	1820-0379

PIN IDENTIFICATION

1	A	1	A
2	B	2	B
3	C	3	C
4	D	4	D
5	E	5	E
6	F	6	F
7	H	7	H
8	J	8	J
9	K	9	K
10	L	10	L
11	M	11	M
12	N	12	N
13	P	13	P
14	R	14	R
15	S	15	S
16	T	16	T
17	U	17	U
18	V	18	V

Figure 8-79. P/O A1A6 Register Schematic (Part 1)

SERVICE SHEET 30**P/O REGISTER ASSEMBLY A1A6**

A1A6 register assembly circuits are shown schematically on Service Sheets 29, 30 and 31.

The sweep and step registers, which operate identically, are shown schematically on Service Sheet 30. The configuration of these registers is the same as the center frequency register shown on Service Sheet 29. They each consist of two dual 8 bit registers with built in multiplexers and two 4 bit registers.

When new data is to be entered into the sweep register the input labeled (SFDP, TTF)-L goes low and this level at U8 and U17 pins 4 and 13 (D_S) selects the D_{0A} and D_{0B} inputs. A train of ten

clock pulses clock the sweep width information off the T bus into the sweep register where it is stored until called for.

When the data in the sweep register is to be clocked to the S bus, the train of ten clock pulses again appears at the CPC and CP inputs. During this cycle (SFDP, TTF)-L are high and the data from the register output is recirculated back into the register through the D_{1A} and D_{1B} inputs to U6 and U15.

Operation of the step register is the same as operation of the sweep register except that the inputs are selected by (SIDP, TTI)-L.

PRDT-L at 29 (E) holds the registers in the reset when the instrument is first turned on until the mainframe power supplies are stabilized.

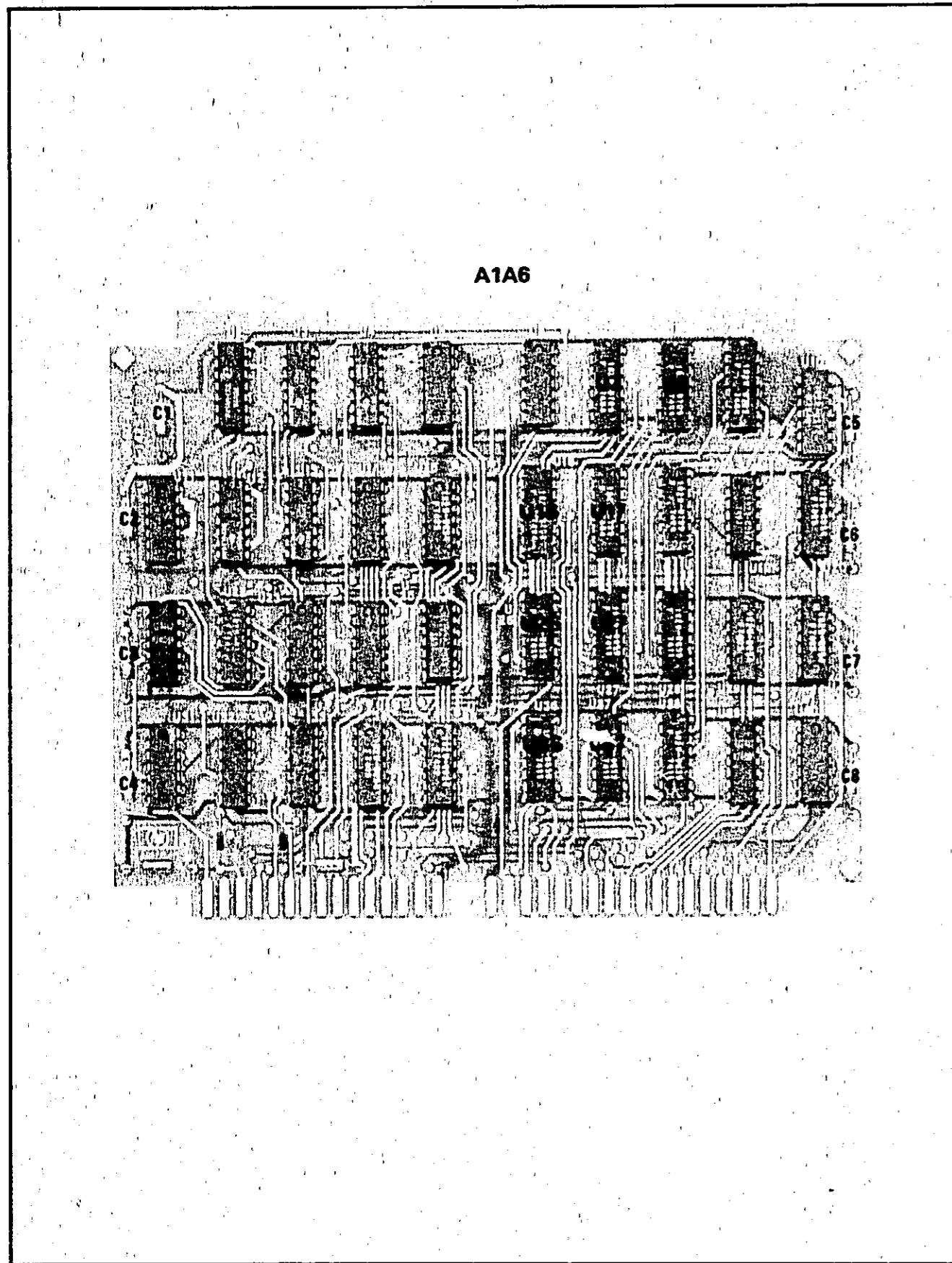


Figure 8-80. P/O A1A6 Register Assembly Component Locations (Part 2)

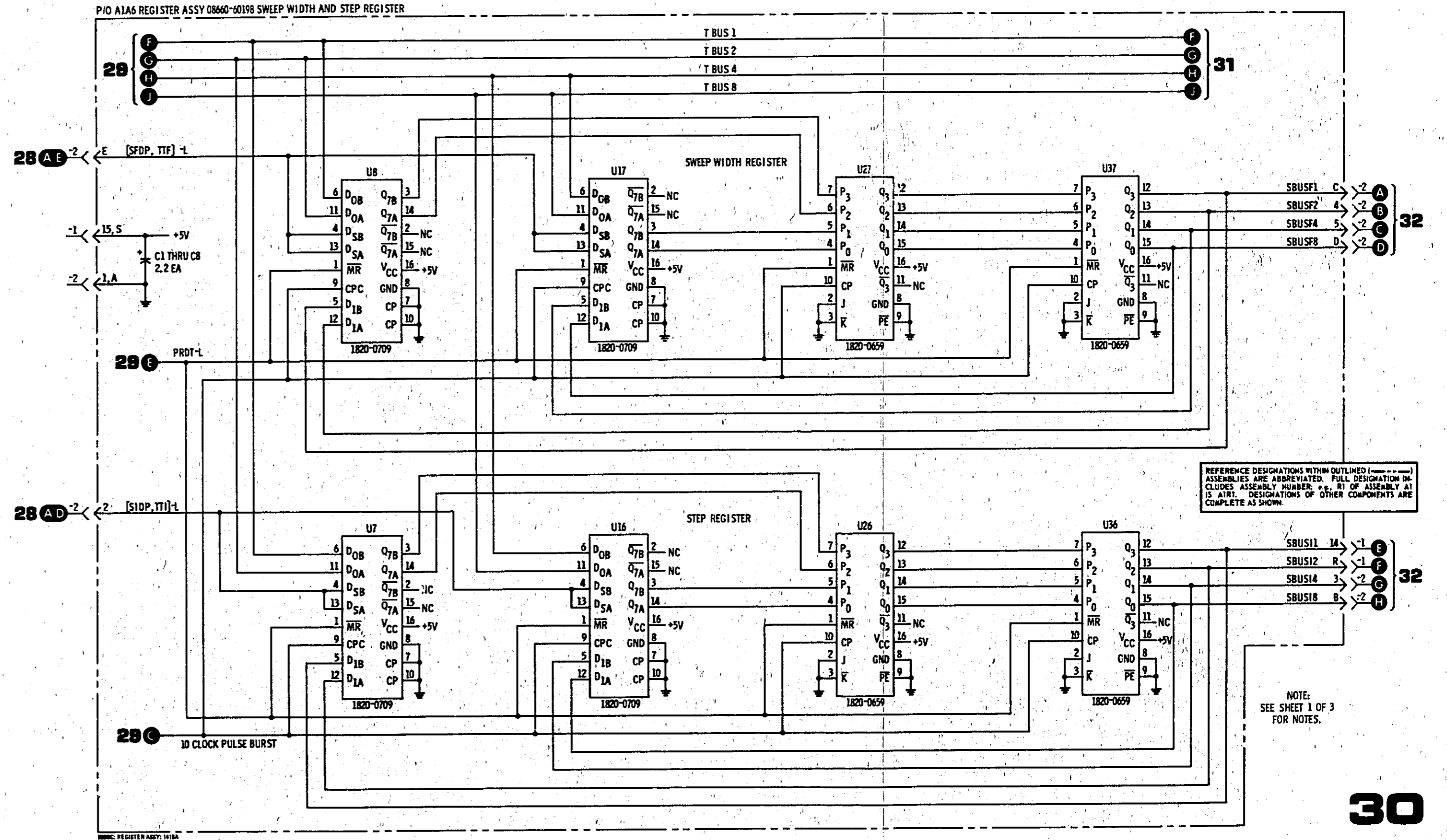


Figure 8-81. P/O A1A6 Register Schematic (Part 2)

SERVICE SHEET 31**P/O REGISTER ASSEMBLY A1A6**

A1A6 register assembly circuits are shown schematically on Service Sheets 29, 30 and 31.

Service Sheet 31 shows the M register and the frequency limits detect gates.

The M register differs considerably from the other registers in the A1A6 assembly. U10 (BCD 1), U11 (BCD 2), U1 (BCD 4) and U2 (BCD 8) are all eight bit shift registers. Only six of the 8 bit locations are used (6 most significant digits). Data is clocked into the M register by a train of ten clock pulses, and digits 1, 2, 3 and 4 are discarded. They are not needed because 10 kHz is the lowest detected frequency limit for any of the plug in RF Sections available.

All of the gates, except U13, to the right of the M register are used to detect and provide frequency limit information.

Two inputs, PILIM and 13GL, shown in the lower left corner of the schematic enable selected gates

that correspond to the limits of the RF Section in use.

The output of U31C, qualifier QA-H, signifying an above range frequency, is processed through A1A4 (ROM input assembly) and A1A5 (ROM output assembly) to a one-shot on the A1A1 switch control assembly. When QA-H goes high the (SIND1, JNINC)-H input to A1A1 goes high and causes the OUT OF RNG light to flash for about 1 second. The entered frequency will not be transferred to the center frequency register.

The output of U30B, SIND2 (lower frequency limit), is applied directly to A1A1 U14; it causes the OUT OF RNG light to light and remain lit. The instrument is capable of producing frequencies considerably lower than those specified as the lower frequency limit. However, the output level may be degraded.

The Code 1 and Code 2 outputs are used to change time constants in the RF Section plug in power amplifier to aid in output leveling.

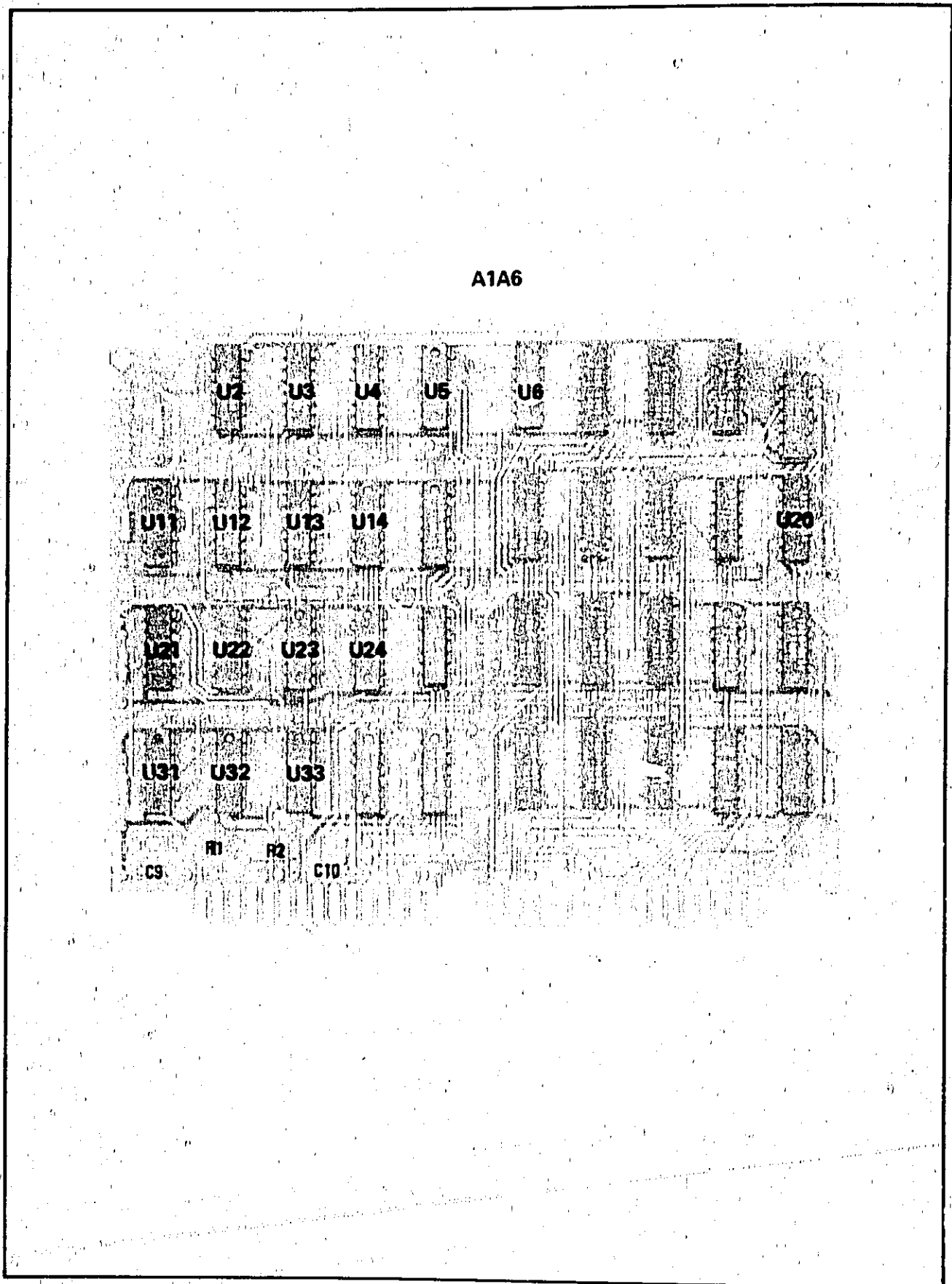


Figure 8-82. P/O A1A6 Register Assembly Component Locations (Part 3)

SERVICE SHEET 32

ARITHMETIC LOGIC UNIT (ALU) A1A7

The ALU processes input data from the A, Center Frequency, Sweep Width and Step registers as well as data from ROM #4 (U9) and associated circuitry.

U5 and U6 are four-bit full adders; they can accept two four-bit inputs and produce an output which is the binary sum of the inputs.

In a sense, U5 is the focal point of the ALU. It is here that the ALU inputs are initially combined.

U12 and U14 are complementers which may be operated in four different modes. The mode is selected by the dc levels on control inputs B and C as follows:

1. B and C both low - the Y outputs are the complements of the A inputs - subtract function.
2. B is low and C is high (ADD-H is active) - the Y outputs follow the A inputs - add function.
3. B and C both high (XOR-H is active) - all Y outputs are low - the B inputs to U5 are processed through U5 without change.
4. B is high and C is low - all Y outputs are high. This mode is not used in the 8660B.

At the top center of the schematic are four three-input NAND gates (U18A, B, C and U3C). The inputs to these NAND gates are from the A, M, or CF registers. The output lines of the NAND gates are the R bus. The Y outputs of U12 are applied to the A inputs of ADDER U5.

The second input to ADDER U5 is from the S bus. The inputs to the S bus are from the sweep width register via NAND gates U10A, B, C and D, the increment register via NAND gates U17A, B, C and D and ROM U9.

In the arithmetic process the A and B inputs to ADDER U5 are summed and appear at the Σ summation outputs in binary format. Whenever the U5 Σ outputs are greater than 9 (1001) U6 adds 6 (0110) to the output of U5 to convert the binary sum to a BCD sum.

When ADD-H is high NAND gates U4B and U4C are enabled. U4B detects an output of 10 or 11 (1010 or 1011) at the output of U5. U4C detects an output of 12, 13, 14 or 15 at the output of U5. U16D detects a carry, C4 from U5. A low output from any of these NAND gates will drive the output of NAND gate U4A high. With U6 inputs B2 and B3 high, U6 will add 6 (0110) to the inputs from U5.

In the subtraction process, the subtrahend is 1's complemented, added to the minuend, and the sum is 1's complemented to get the difference. The binary sum is converted to BCD by adding 6

SERVICE SHEET 32 (Cont'd)

(0110) whenever a carry (borrow) is generated. The C4 output is the carry from the fourth bit. Whenever there is a carry from U5C4, U16D output goes low, U4A output goes high and U6 again adds 6 to the U5 output. Note that U4B and U4C are inhibited during the subtraction process because input ADD-H is low.

In the subtraction operation XOR-H and ADD-H are both low so the B and C inputs of U12 and U14 are also low. The Y outputs of U12 and U14 are the complements of the A inputs.

Following are a few examples of binary addition and subtraction which may be helpful to the technician who has had little experience in the techniques involved.

Add 75 + 38

```

BCD 5 0101
BCD 8 1000
    1101 > 9 (13)
    0110 + 6
    0011 = 3 + carry
BCD 7 0111
    0000
    1000 = 8
BCD 3 0011
    1011 > 9 (11)
    0110 + 6
    0001 = 1 + carry
    
```

= BCD 0001 0001 0011 = DECIMAL 113

Add 456+82

```

BCD 6 0110
BCD 2 0010
    1000 = 8
BCD 5 0101
BCD 8 1000
    1101 > 9 (13)
    0110 + 6
    0011 = 3 + carry
BCD 4 0100
    0001
    0101 = 5
    
```

= BCD 0101 0011 1000 = DECIMAL 538

SERVICE SHEET 32 (Cont'd)

The subtraction process is really an addition process with numbers which have been complemented, summed, manipulated and again complemented to convert the binary sum to BCD.

Subtract 86 from 275

```

BCD 5 0101 complement
BCD 6 1010 complement
BCD 6 0110
    0000 + 6 carry
    0110 + 6 complement
    1001 = 9
BCD 7 0111 complement
    1000
    0001 add carry (borrow)
BCD 8 1001
    1001 + 6 carry
    0110 + 6 complement
    1000 = 8
BCD 2 0010 complement
    1101
    0001 add carry (borrow)
    1110 complement
    0001 = 1
    
```

= BCD 0001 1000 1001 = DECIMAL 189

Subtract 45 from 92

```

BCD 2 0010 complement
BCD 5 1101 complement
BCD 5 0101
    0010 + 6 carry
    0110 + 6 complement
    1000 + 6 complement
    0111 = 7
BCD 9 1001 complement
    0110
    0001 add carry (borrow)
BCD 4 0111
    0100
    1011
    0100 = 4 complement
    
```

= BCD 0100 0111 = DECIMAL 47

SERVICE SHEET 32 (Cont'd)

Subtract 40 from 00036

```

BCD 6 0110 complement
BCD 0 1001 complement
BCD 0 0000
    1001 + 6 complement
    0110 = 6
BCD 3 0011 complement
BCD 4 1100 complement
BCD 4 0100
    0000 + 6 carry
    0110 + 6 complement
    1001 = 9
BCD 0 0000 complement
    1111
    0001 add carry (borrow)
    0000 + 6 carry
    0110 + 6 complement
    1111 + 6 complement
    0001 add carry (borrow)
BCD 0 0000 complement
    1111
    0001 add carry (borrow)
    0000 + 6 carry
    0110 + 6 complement
    1001 = 9
BCD 0 0000 complement
    1111
    0001 add carry (borrow)
    0000 + 6 carry
    0110 + 6 complement
    1001 = 9
    
```

= BCD 1001 1001 1001 0110 = DECIMAL 99996 + carry (borrow)

This subtraction result indicates a number less than zero. In the synthesizer it implies a negative frequency, which is impossible. In a following paragraph on ZER - FF, U19B, the impossibility is explained.

Shown in the lower right corner of the schematic are two D type flip/flops, U19A and U19B. These flip/flops provide two qualifier outputs, QB-H and ZER-H. The QB flip/flop also provides the carry bit storage during add and subtract operations. The U19A D input is connected to the C4 (carry) outputs of both adders through OR gate U13D. If a clock pulse appears

SERVICE SHEET 32 (Cont'd)

at a time when either carry is high, U19A Q will go high. The QB-H output may change state several times during an operation to store the carry bit. The QB-H output logic sense is important only for the last clock in the operation. The clock train may last for 10, 12 or 13 pulses depending on the operation being performed. When the D input to U19A is high at the time the last clock pulse is received, QB-H goes high. It will stay high until the reset input, RQB-L is generated.

Flip/flop U19B retains the information occasionally generated during subtraction, that the difference number is effectively less than zero (minus). The ZER-H output will go high if the U19B D input is high during the last clock. Following this event a sequence of additions take place until the sum is no longer minus, and input RZER-L will enable the reset of U19B.

The 13 clock pulse train is used in the sweep mode when the 1000 step sweep is selected. It is possible to set the sweep width wide enough to go below 0 Hz (minus frequency). When this happens the sweep increment is repeatedly added to the A register content until the A register is 0 or +.

As an example, assume that the center frequency is 1 MHz and a sweep width of 4 MHz is entered. The sweep range is arithmetically, -1 MHz to +3 MHz. Since the sweep starts initially at the center frequency, the sweep output is accurate until the frequency reaches 3 MHz. Then, when the sweep step count is reset to zero, the arithmetic circuit is calling for an output frequency of -1 MHz. Since this is impossible, it is necessary to add, for the example quoted, 4,000 kHz to the A register content 250 times (250 X 4 kHz = 1 MHz), before there is an rf output and sweep is resumed. During the process of returning the A register content to zero or a + frequency, the sweep step clock is replaced with system clock to decrease dead time.

For the example quoted, 1 MHz center frequency, 4 MHz sweep width and 1000 step sweep the input from the A register is 13 digits long. The input from the sweep register is 10 digits long. The arithmetic process is as follows:

A register input to ALU	0001.000000000
Sweep input to ALU	0000004.000000
Next A register content	0001.004000000

It may be seen from the foregoing that the sweep width is effectively divided by 1000, for the example quoted, by adding a ten digit sweep width to an extended 13 digit A register number. Each step adds 4,000 kHz to the A register.

NOTE

See SS34 for details on the A register.

P/O A1A6 Register Assy (Part 3)
SERVICE SHEET 31

SERVICE SHEET 32 (Cont'd)

When the adding process the information in the ten digit portion of the A register is 1.004000 MHz. This information is then clocked back through the ALU, without change, and returned to the T bus and the output register for use in the mainframe RF circuits.

When it is desired to display the contents of the increment or sweep width register on the center frequency readout the data is passed through the ALU without change. This is accomplished by causing the XOR-H input to go high. When XOR-H is high, both the B and C inputs to U12 are high so the Y outputs are held low. UTT-H is high so the data is coupled through NAND gates U20A, B, C and D to the T bus.

Manual tune operation. ROM #4, U9, provides the B inputs to ADDER U5 when a manual tune or offset operation has been initiated.

When a manual tune operation is initiated, multiplexer U8 Ig is high, so the I1 inputs are selected. The Z outputs follow the I1 inputs (note that I1A is held high and I1D is held low). NAND gates U3A and U16B control the I1B and I1C inputs to multiplexer U8. The inputs to NAND gates U3A and U16A are:

1. TR0 is a function of the power detect circuit and selects coarse resolution mode (1 MHz steps).
2. TR1 is the coarse resolution mode (1 MHz steps). When it is active the I1B input to multiplexer U8 is high.
3. TR2 is the medium resolution mode (1 kHz steps). When it is active the I1C input to multiplexer U8 is high.
4. TR3 is the fine resolution mode (1 Hz steps). When it is active, both the I1B and I1C inputs to multiplexer U8 are high.

When a manual entry is made NTS-L goes low and the output of NAND gate U16C goes high to enable counter U2. The high output of U16C is inverted by U1E to enable the ROM, U9.

When ADDCK-H goes high it enables AND gate U7B which couples the clock to counter U2. The Z outputs of U8 and the Q outputs of U2 select sequentially, 10 ROM addresses as the counter is clocked from 0 to a count of 9. The data in the ROM ripples through NAND gates U11A, B, C and U3B to the B inputs of ADDER U5. Simultaneously, complement U12 applies the contents of the center frequency register to the A inputs of ADDER U5. The sum of the two inputs to U5 is then processed as previously described to provide a new center frequency incremented, or decremented, by the selected fine, medium or coarse step.

Offset is a special feature which allows the center frequency to be offset by fixed amount. This is accomplished when OTS-L is active. The select input to multiplexer U8 is low and the inputs labeled OPID 8-L, OPID 4-L, OPID 2-L and OPID 1-L are selected. The fixed code from these inputs address that part of the ROM where the offset number is stored. The Z outputs of U8 are applied to the most significant ROM address bits. When AND gate U7D pin 11 goes low, NAND gate U16C pin 8 goes high to enable counter U2. The high at U16C pin 8 is inverted by U1E to enable U9. When ADDCK-H is active the clock is coupled through AND gate U7B to the CP input of counter U2. The data stored in the 10 ROM addresses is then coupled through U11A, B, C and U3B to the B inputs of ADDER U5 as the counter is clocked from 0 to a count of 9. Simultaneously, complement U12 applies the contents of the center frequency register into the A inputs of ADDER U5. The sum of the two inputs is then processed as previously described to provide a frequency offset by a fixed amount.

NOTE

ROM #4 (U9) must be set up at the factory before offset can be used. The offset amount may be either plus or minus when referenced to the center frequency.

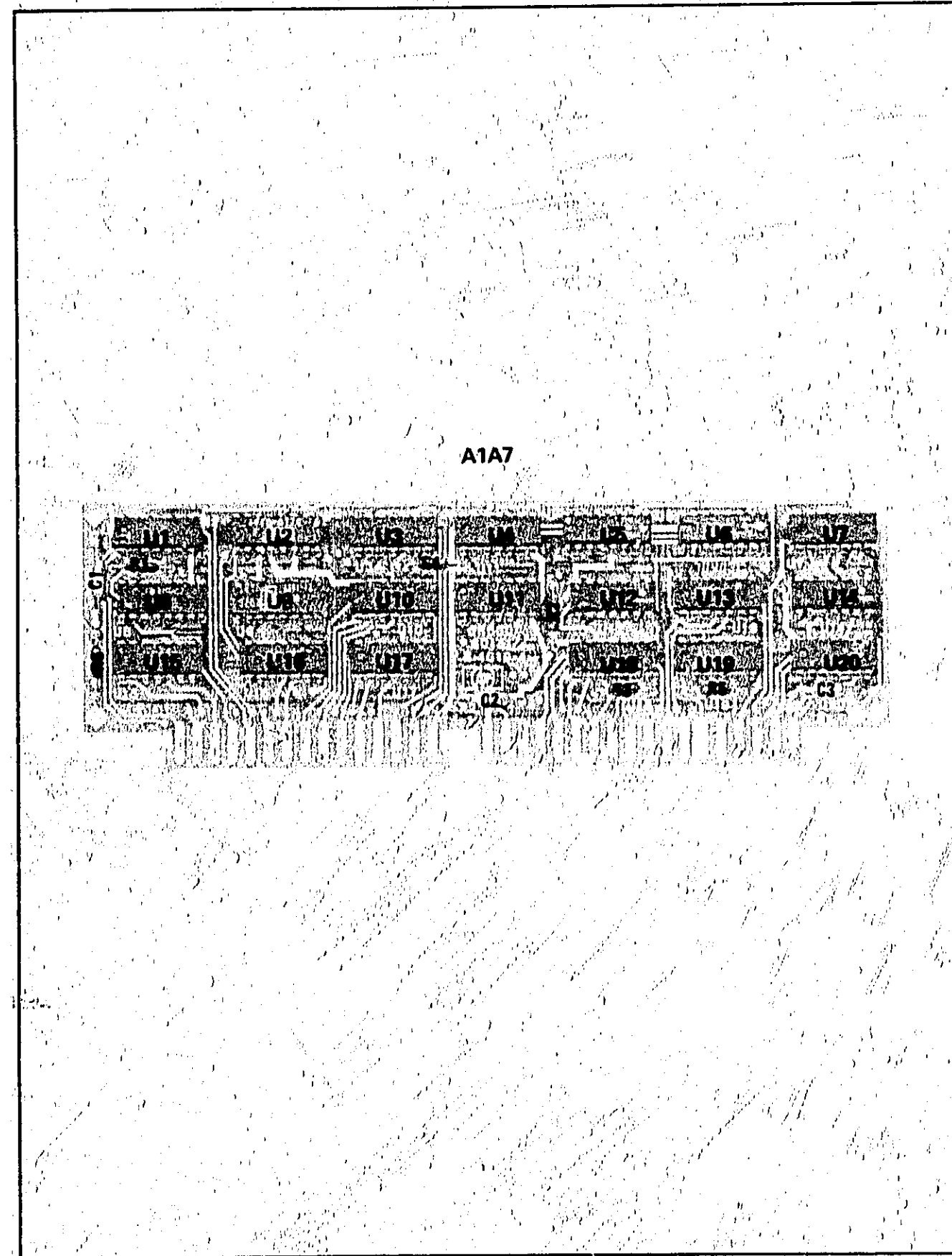


Figure 8-84. A1A7 Arithmetic Logic Unit Component Locations

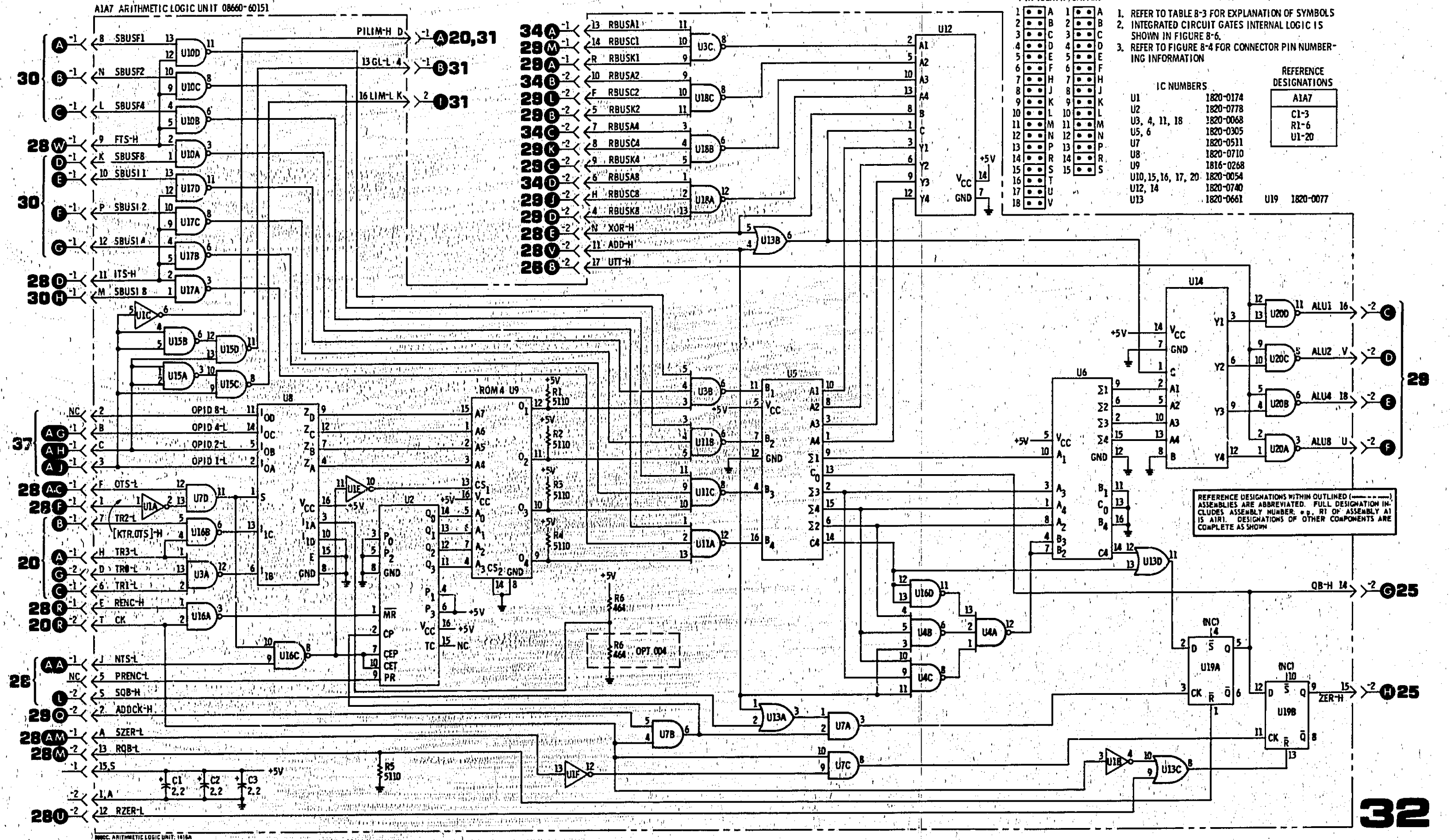


Figure 8-85. A1A7 Arithmetic Logic Unit

SERVICE S' EET 33

SWEEP COUNT ASSEMBLY A1A8

The sweep count assembly performs two major functions. It keeps track of the number of sweep steps which have occurred and it also provides a D/A voltage output (0 to +8V) which is proportional to the sweep ramp.

The principle elements of the circuits are the presettable up/down counters U8, U10 and U5. The reason up/down counters are required is that in manual sweep mode the output frequency may be set up or down to any point within the sweep width range.

Note that the center frequency and the sweep frequency have no effect on the sweep count circuit. The counter tracks and counts the number of steps that have taken place on the sweep ramp. In the AUTO sweep and SINGLE sweep modes the count is always up. In the MANUAL sweep mode the count may be either up or down.

Since U8, U10 and U5 comprise a three digit counter, it is capable of reaching a count of 999. Essentially, the final count is 1000 because the input following 999 creates a carry at U5 pin 12 which causes flip/flop U3C/U3D to change state and cause QCTM-H (qualifier count maximum) to go high.

The maximum count may be either 100 or 1000. When the count is 1000, all three up/down counters are used. When the count is 100, U8 is bypassed. A low on the Q100-H line implements the 1000 count by enabling U8 and routing the $\overline{\text{BOR}}$ and $\overline{\text{CAR}}$ outputs to the CDN and CUP inputs of U10. When the count of 100 is selected, Q100-H goes high to clear (disable) U8 and the inputs to U8 are routed, by way of U2, to the CON and CUP inputs of U10.

The $\overline{\text{LD}}$ inputs to U8, U10 and U5 are preset inputs. When ILD-L (input load) goes low it is inverted by U7D to enable NAND gate U6C. The system clock then presets U8, U10 and U5. Since the A, B, C and D inputs of U8 and U10 are grounded, the outputs will be preset to zero.

Since the sweep operation starts initially at the center frequency, U5 must be preset to the center

of its range, a 5. Note that the DB and DD inputs are grounded but the DA and DC inputs are high; the preset output of U5 is a 5 (0101).

When the selected sweep is 1000 steps the up/down counter is effectively preset to 500; it will take 500 CUP inputs for the count to reach maximum. All sweep ramps following the first will start at 000 and require 1000 steps to reach maximum.

When the selected sweep is 100 steps, U5 is preset to 5, U10 is preset to zero and U8 is bypassed.

The CUP and CDN inputs to U8 (or U10 when 100 step sweep is selected) are coupled through NAND gates U6A and U6B. Operation of the gates is essentially the same except that input CND-L must be inverted because its assertive state is low.

NOTE

The CDN-L and CUP-H inputs are in their assertive states for a period of 12 or 13 clock pulses. During this period the output of U6A or U6B is low. When the period ends the output of U6A or U6B goes high. This positive going excursion is the input to trigger U10 or U8.

At the bottom right of the schematic is the output QCTZ-H (qualifier count zero). This qualifier performs no useful function in the AUTO mode. In the manual sweep mode when manual sweep control is rotated CCW and the lower end of the sweep width range is reached, all of the outputs from U8, U10 and U5 are low and QCTZ goes high. Further rotation of the manual sweep control will not change the output frequency.

The digital-to-analog (D/A) output is a voltage proportional to the number of steps which have occurred during the sweep operation. U1 functions as a summing circuit; it sums the currents from 12 inverters and one transistor switch, Q1. It is important to note that the inverters are open collector inverters. When their inputs are high, the outputs are low and they provide a current which is proportional to their load resistors, to a common point. When the inverter inputs go low their outputs do not go high, they seek the voltage level at their common point. When QCTM-H (qualifier count maximum) goes high, Q1 is supplying all of the current to the summing circuit and the D/A output is +8V.

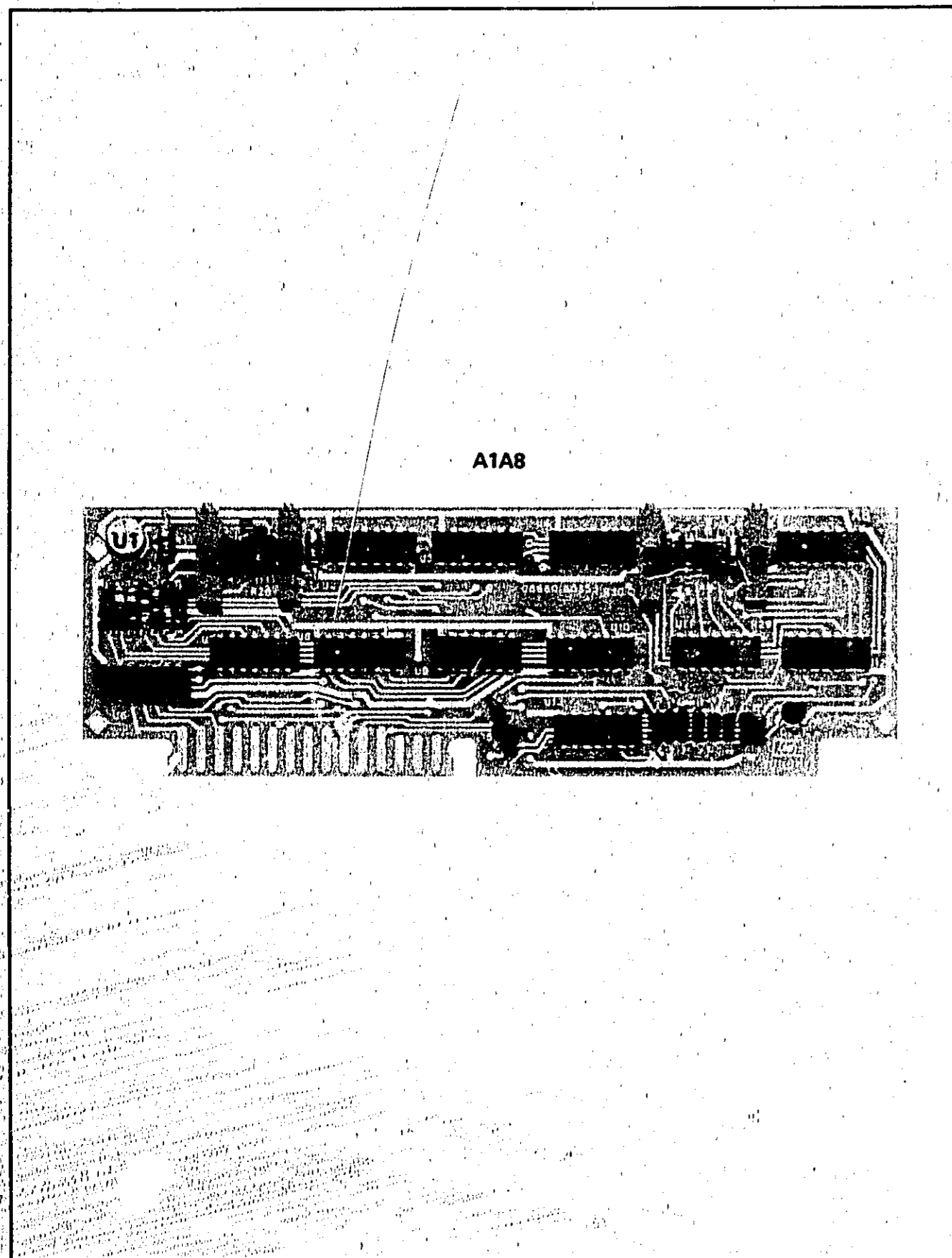


Figure 8-86. A1A8 Sweep Count Assembly Component Locations

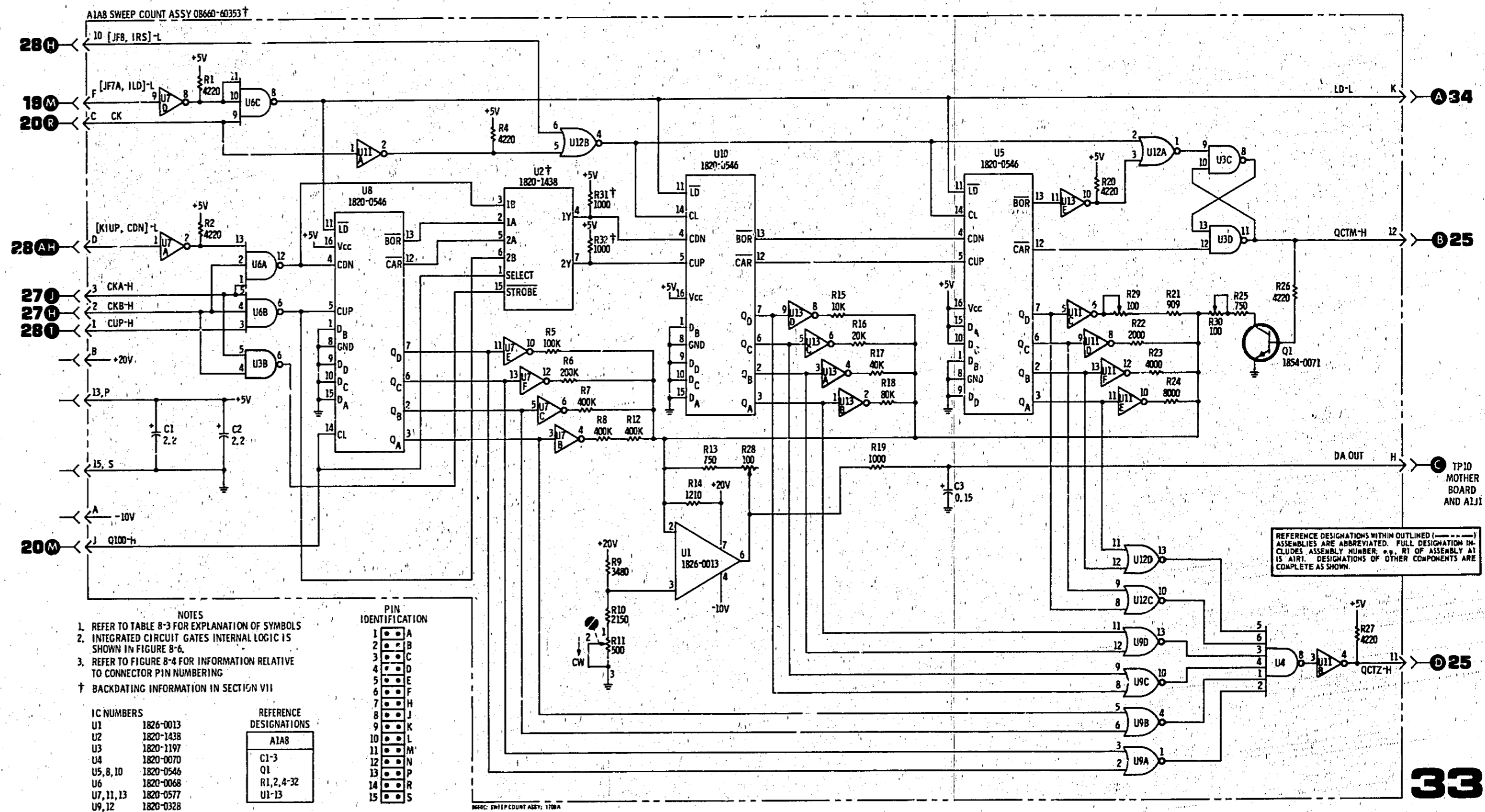


Figure 8-87. A1A8 Sweep Count Schematic

SERVICE SHEET 34**A REGISTER ASSEMBLY A1A9**

The major difference between the A register and other registers in the instrument is that it may be 10, 12 or 13 digits long.

The 12 and 13 digit data is used in sweep operation. The 12 digit register is used when the sweep is to be 100 steps. The 13 digit register is used when the sweep is to be 1000 steps.

When the instrument is operated in the CW mode the final output to the mainframe through the ALU and the output register is from the ten-digit A register (U1, U2, U3 and U4). U1 and U2 are dual 8-bit shift registers. U3 and U4 are four-bit registers. The ten-digit register is a recirculating shift register when not in the sweep mode. The information in the ten-digit register is clocked to the ALU when ATR-H goes high to enable NAND gates U11A, B, C and D.

When a sweep operation is initiated for 100 steps, the register is lengthened to 12 digits by use of four-bit registers U5 and U6. The 12-digit data is clocked to the ALU when A2TR-H goes high to enable NAND gates U12A, B, C and D.

When a sweep operation is initiated for 1000 steps, the register is lengthened to 13 digits by use of

four-bit register U7. The 13 digit data is clocked to the ALU when A3TR-H goes high to enable NAND gates U13A, B, C and D.

When the 12 or 13 digit data is clocked into the ALU and manipulated, it is clocked back into the A register via the T bus. In the AUTO sweep mode the ALU normally adds one hundredth or one thousandth of the sweep width until QCTM-H goes high in the sweep count assembly.

NOTE

It may be necessary for the technician to review the text for the sweep count assembly and the ALU to understand this operation.

Two of the three inputs to AND gates U10A, B, C and U9B are always high. The outputs are controlled by the selected NAND gates which precede them.

The gates shown in the lower left corner of the schematic control the clock inputs to the registers.

The instruction TTA-L or ATR-H enable the clock gate, U9A. The period of instruction AREGCK-H, determines whether 10, 12 or 13 clock pulses will drive the combined registers. The instructions PDS-L inhibits clocking the three add-on registers U5, U6 and U7 at times during sweep when stored information is to be preserved.

**SERVICE
INFORMATION**

CON'T

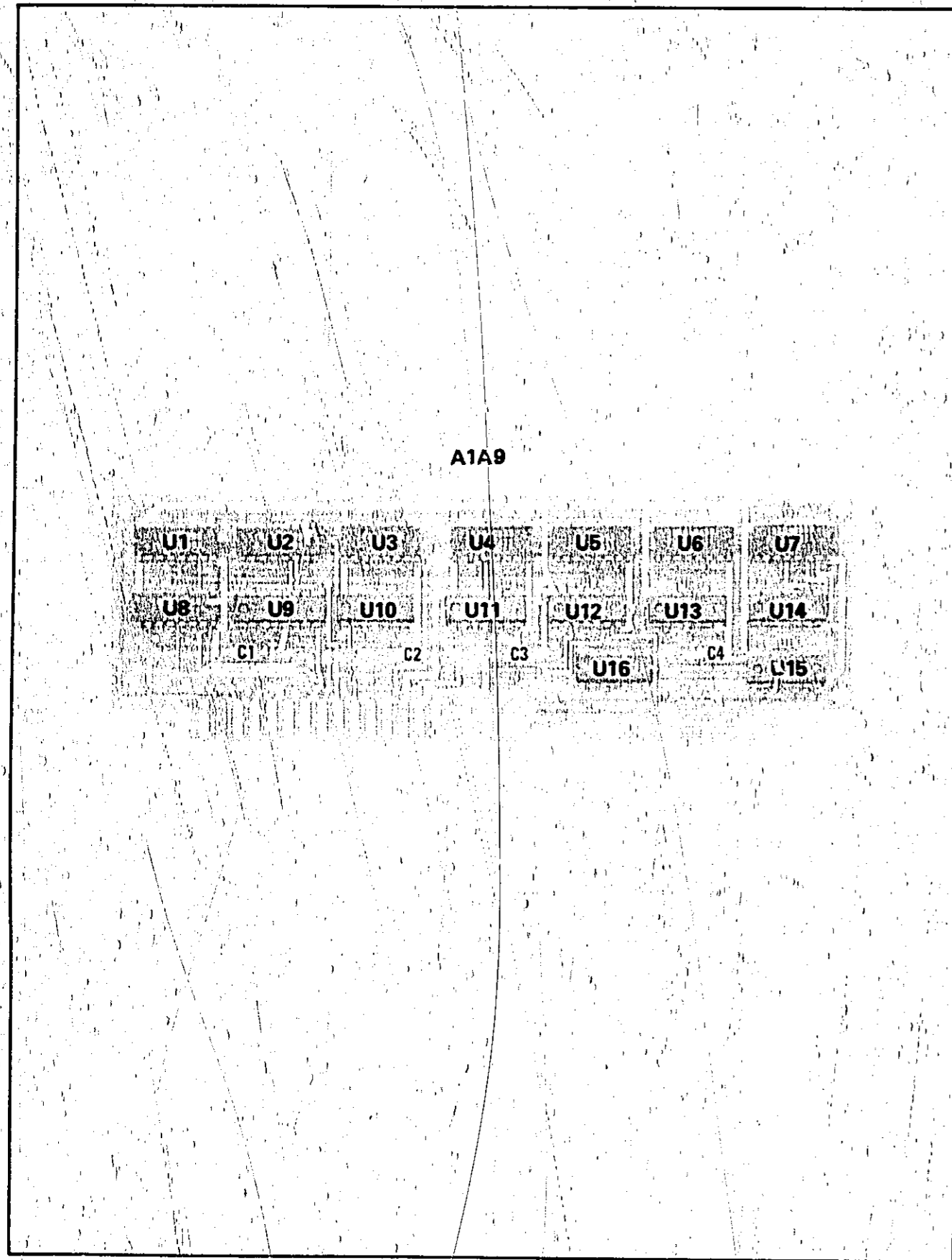


Figure 8-88. A1A9 A Register Assembly Component Locations

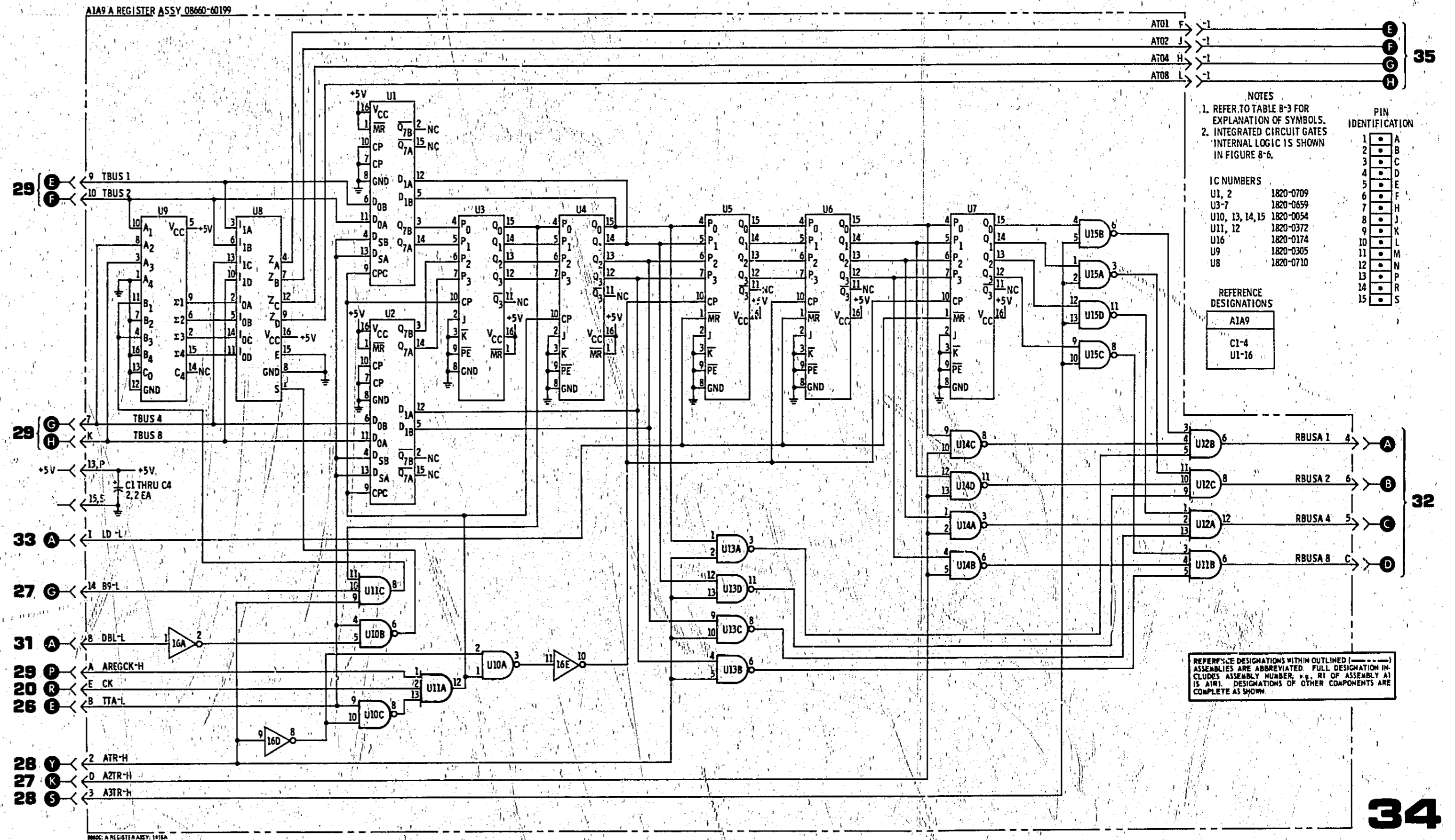


Figure 8-89. A1A9 A Register Schematic

SERVICE SHEET 35**OUTPUT REGISTER ASSEMBLY A1A10**

The output register assembly contains the final DCU register. From this register the data goes to the mainframe RF loops through the A9 Cable Loop Assembly or the A3 Interface Assembly.

U4 through U8 function to provide serial to parallel data storage. Each of them are dual four-bit latches. One of the characteristics of this type of latch is that the Q outputs follow the D inputs when the latch is enabled. These latches are not clocked directly by the system clock; they are enabled by a combination of the output of one-of-ten selector U1, the system clock and the PD-H input. This type of register is commonly termed a parallel dump register.

A parallel dump register has a distinct advantage over serial dump registers, in that only the BCD bits that require change, are changed. In serial dump registers, all of the RF phase lock loops lose lock each time the frequency is changed, even if the frequency change is as low as 1 Hz. The result of losing lock in all of the RF loops is longer

switching time and temporary generation of many undesired frequencies. These problems are particularly troublesome in the sweep mode of operation.

Assume that the RF output has been 1.000000 MHz and is changed to 1.100000 MHz. The Q0A output (binary 1 of digit 6) of U8 goes high and all other outputs remain unchanged.

U1, a one-of-ten selector, enables the gates in the dual four-bit latches sequentially. They are enabled at a point in time when the data of the T bus applies only to their output digit number (D1 through D10). All outputs are high except the one selected. The sequential BCD inputs on CNT 1, 2, 4 and 8 originates in a counter U17 on the A1A5 assembly (see Service Sheet 27).

All of the enable latch gates are connected to the output of NAND gate U3D. One of the inputs to U3D is PD-H which is high in the assertive state. The other input is derived from the system clock. This second input to U3D is delayed approximately 0.1 microsecond to ensure that the latches are not enabled while a change is taking place on the T bus.

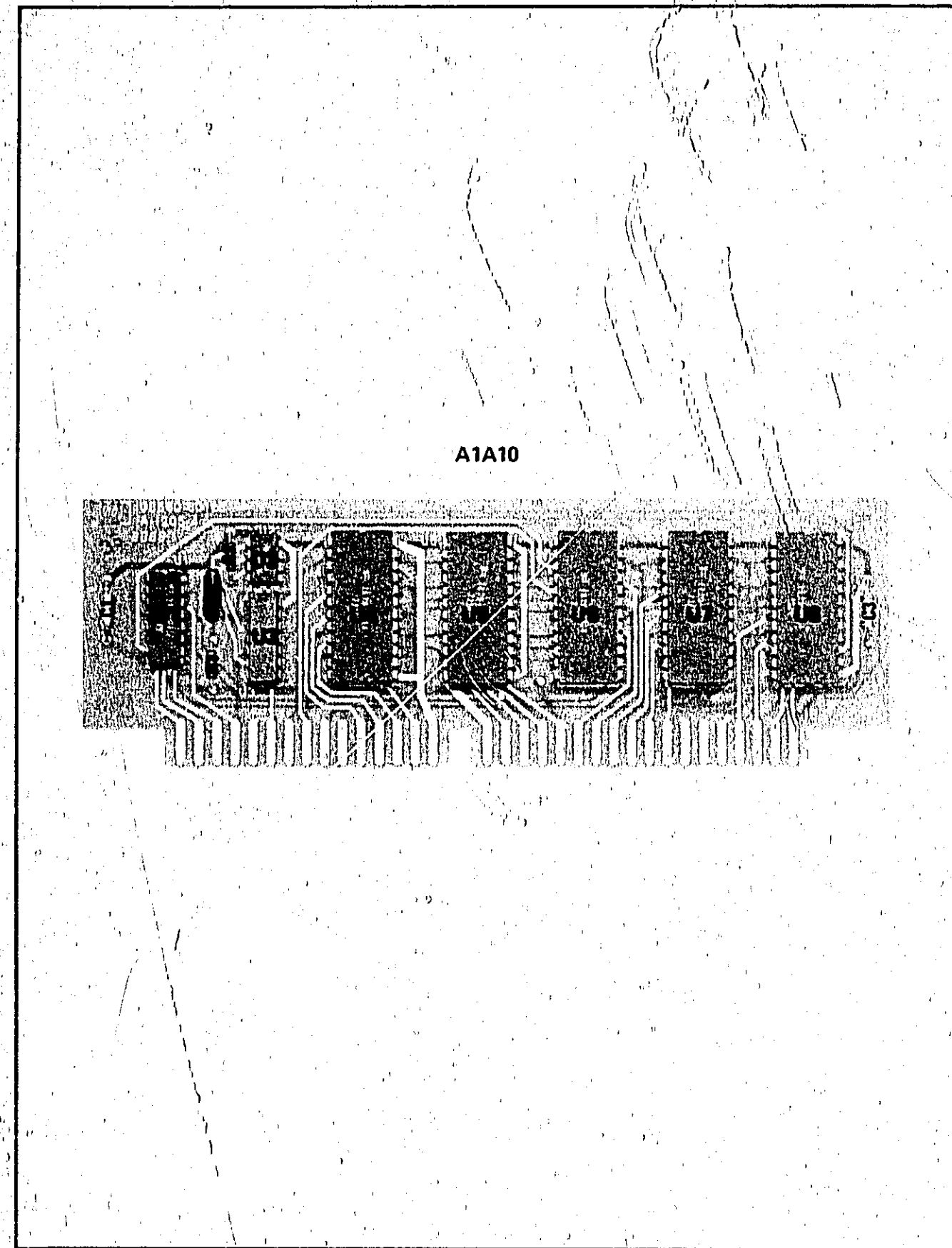


Figure 8-90. A1A10 Output Register Component Locations

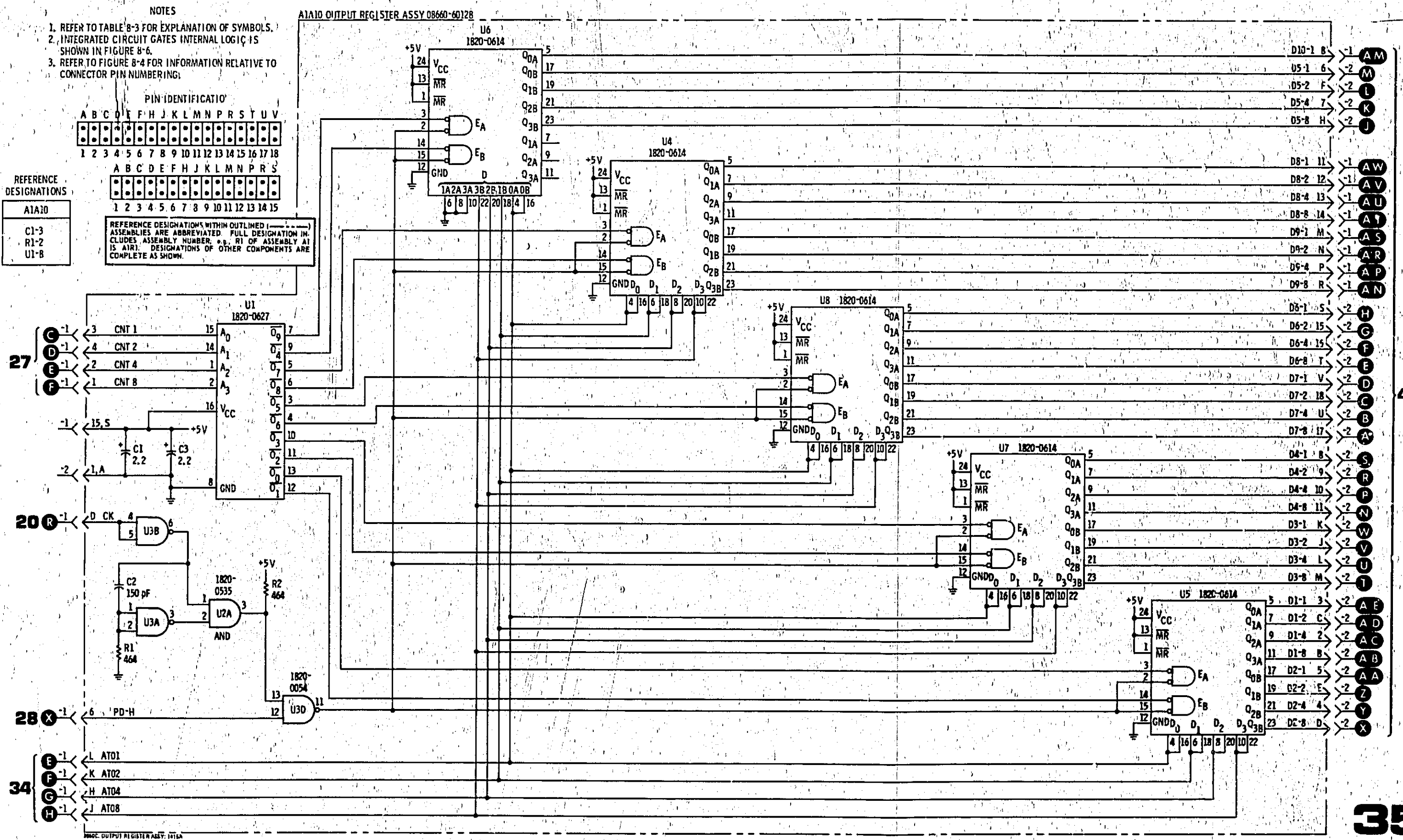


Figure 8-91. A1A10 Output Register Schematic

SERVICE SHEET 36

NUMERIC READOUT ASSEMBLY A1A2

The numeric readout assembly consists of two readout units, U3 and U4, and the circuits required to drive them. U4 displays the least significant digits, 1 through 6. U3 displays the 4 most significant digits, 7, 8, 9 and 10. The most significant digit, digit 10, is always a 1, 2, or 0. U3 is also a six-digit display, but only the four least significant digits are displayed.

The readout display creates the illusion that the LEDs (light emitting diodes) are lit continuously. They are actually scanned at a 10 kHz rate and therefore each half digit is illuminated for 100 microseconds for each scan cycle.

Referring to Figure 8-92 it may be seen that each digit is made up of 20 LEDs that are divided into two 10 LED half digits. During the scanning cycle the half digits are scanned, first right half, then left half. The LEDs require approximately 50 milliamperes each so the transistor drivers are heavy duty types capable of delivering about 400 milliamperes each.

Referring back to the schematic it is readily seen that one-of-twelve selector U5, the transistor drivers and ROMs U1 and U2 jointly control the readout.

It is important to understand the relationship of the ROCK (10 kHz), RSCAN-H and ROM (read only memory) inputs.

The 10 kHz ROCK input clocks U5 only during the time that RSCAN-H is low, i.e., when not in reset. RSCAN-H stays low for the period of six clock pulses at a 5 kHz rate. The 5 kHz clock drives the ten-digit register on the A1A3 assembly, Service Sheet 24, during the period of time that the readout is being displayed. The BCD inputs to ROMs A and B are BCD data which is clocked in at a 5 kHz rate.

It may be seen from the foregoing that U5 provides two outputs to the transistor drivers for each BCD input to the ROMs. U5 also provides an R/L (right/left) output which is used as the fifth address bit to the ROMs. This R/L output determines, in conjunction with the other ROM inputs, which LEDs of the half digit being displayed are illuminated.

As the scanning cycle starts U5 output OR (output 0, right half) turns on Q20 and Q8 to apply about +4 volts to the right hand half of digits 1 and 7. Simultaneously the R/L output of U5 provides the fifth address bit to ROMs A and B. ROMs A and B then provide ground returns for the LEDs which are to be illuminated in the right half of digits 1 and 7. When U5 output OL goes high Q19 and Q7 drive the left half of digits 1 and 7. The R/L output of U5 again provides the fifth address bit to ROMs A and B which then provide the ground returns to light the appropriate LEDs in the left half of digits 1 and 7. Next, digits 2 and 8, then digits 3 and 9, then digits 4 and 10, and finally digits 5 and 6 are scanned in order.

It can be seen that the scanning cycle has effectively scanned 10 digits with 12 inputs clocks at a 10 kHz rate. At this point in time RSCAN-H goes high to reset U5.

SERVICE SHEET 36 (Cont'd)

In the A1A3 assembly the ten digit recirculating register contains a sync register. At the end of the readout scan cycle, four more clock pulses are required to re-position the data in the register before the data can again be used in the readout scanning cycle. During the readout scanning cycle the recirculating register is clocked at a 5 kHz rate. If this rate were continued, it would be 800 microseconds before the next readout scanning could start. However, a detect circuit driven from the sync register detects the sync code at the sixth 5 kHz clock and switches to the system clock of 1 MHz for the next four clock pulses. Using this system assures that there are only four microseconds between readout scan cycles. See Service Sheet 24 for expanded details of this operation.

All controls for the numeric readout, except for the 10 kHz ROCK, originate in the A1A3 Readout Control Assembly.

The assembly also has the drive circuits for the four incandescent lamps, which display GHz, MHz, kHz and Hz units.

The pushbuttons select SWP WIDTH, STEP and KYBD readout instructions for the A1A1 Switch Control Assembly.

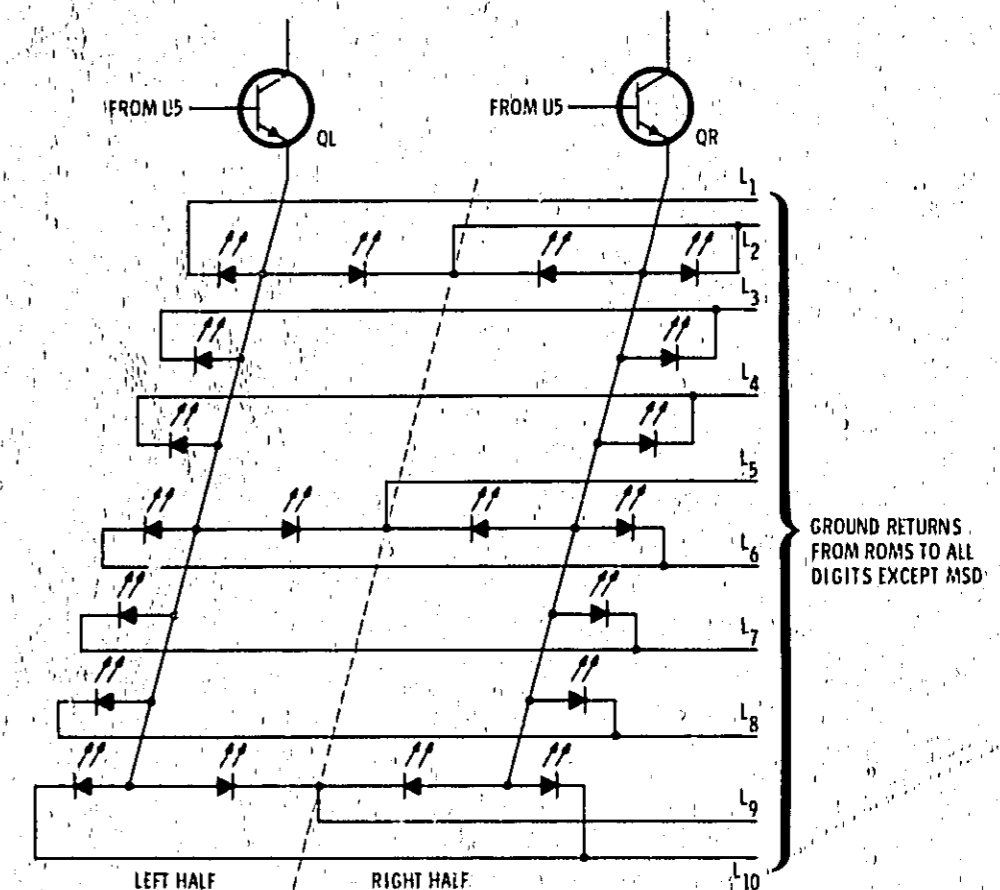


Figure 8-92. Readout Digit Schematic

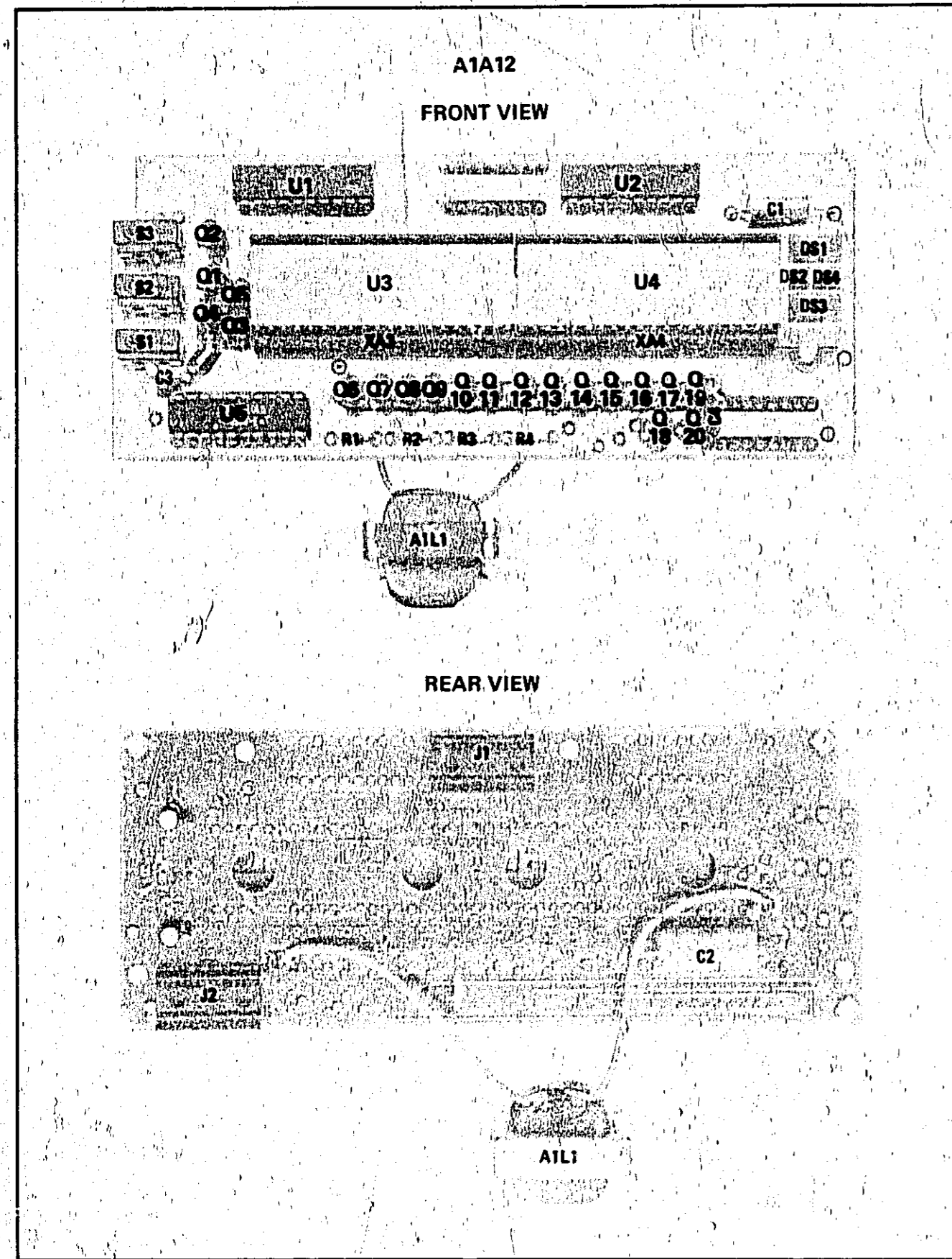


Figure 8-93. A1A12 Numeric Readout Assembly Component Locations

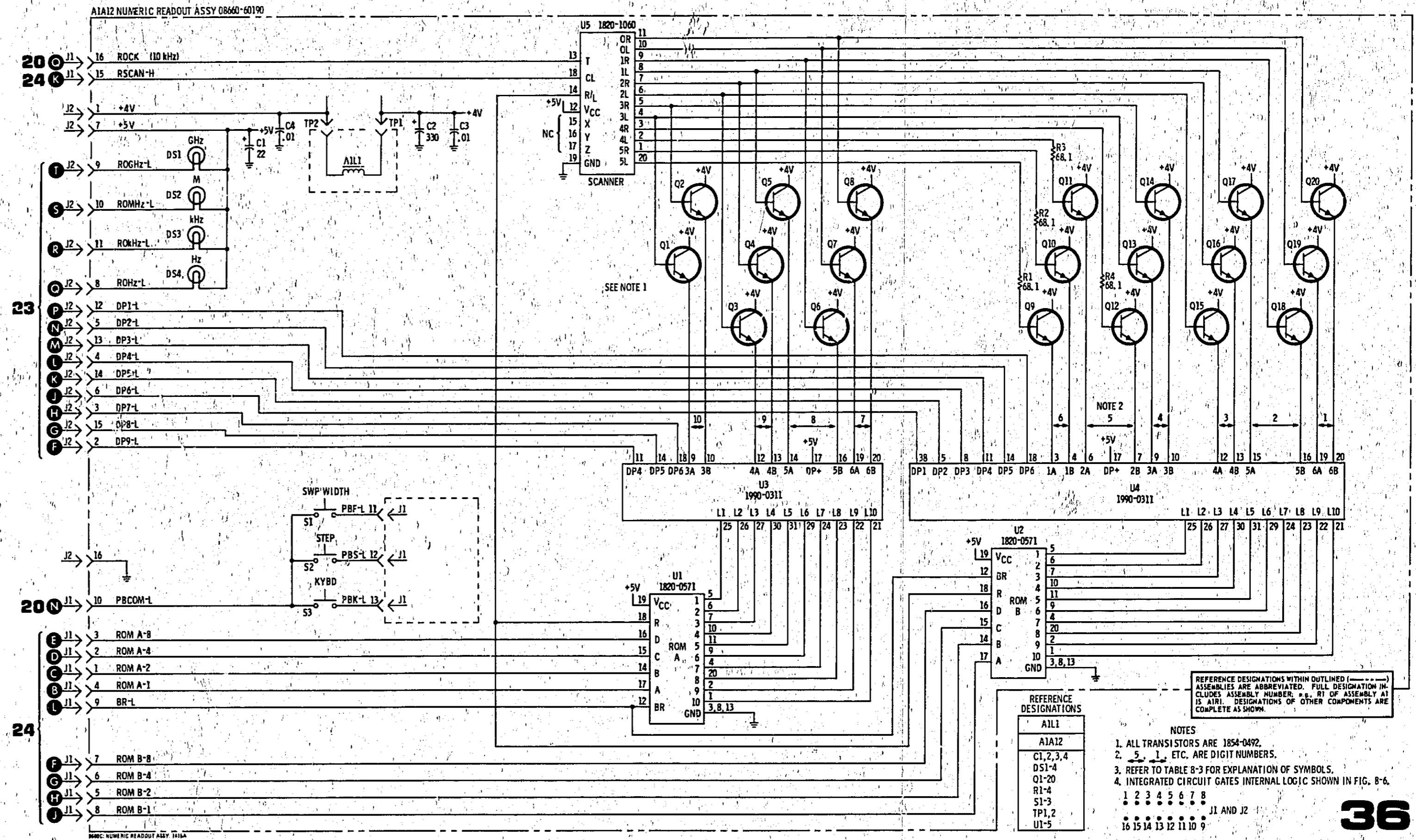


Figure 8-94. A1A12 Numeric Readout Schematic

SERVICE SHEET 37

FRONT OUTPUT INTERFACE CIRCUIT BOARD

Normally, causes of malfunctions in the Model 8660C will be isolated to a circuit board or assembly as a result of performing the tests specified in the troubleshooting trees.

When the defect has been traced to the front interface board, access to the component side of the circuit board may be improved by removing the four screws which hold the digital control unit in place and sliding it forward to the extent of the interconnecting cables.

TEST EQUIPMENT REQUIRED (See Table 1-3)

Oscilloscope (with 10:1 divider probes)
Digital Voltmeter

GENERAL

The major purpose of the interface circuits is to assure compatibility between the digital control unit, the phase lock loops, the plug-in sections and the programming information from the remote programming device (via J3).

FRONT INTERFACE CIRCUIT - REMOTE MODE

DATA INPUT

The multiplexer, U8 and U9, converts the eight-line two-digit parallel BCD input to four-line serial information. The serial BCD data is stored in the temporary storage register in the digital control unit.

When a command pulse is received at A3XA1 pin 1 it is inverted by U1F and applied to the "D" input of flip/flop U2A. Pin 1 of U2A is held high by the inverted low LCL-RMT input at A3XA1 pin B so U2A is enabled. (A low at U2A pin J would hold the Q output high regardless of other inputs).

The 2 MHz clock, which is always present is inverted and applied to the clock input of U2A. Since the inverted command pulse is high the first clock pulse to U2A will cause the Q output to go high. The Q output enables the upper AND gates in U8A, U8B, U9A and U9B. The outputs of the multiplexer follow the selected inputs (in this case, digit 1). Several other circuits function simultaneously with this change of state to determine where and how the input will be used.

If the BCD inputs are data (BCD 0 - 9), the output of NAND gate U3A is high because at least one of the inputs is low. U1D inverts the output of U3A to inhibit U4D which is the permanent command gate. The high output of U3A enables U4B which is the temporary command gate.

When U2A Q output goes low with the clock pulse it presets U2B; U2B Q goes high and Q goes low. The low at U2B Q resets the one-shot (U1A and U1B) on the rear interface board to end the command pulse. This assures that the command pulse will end and the "D" input to U2A will go low before the next clock pulse appears.

SERVICE SHEET 37 (Cont'd)

When U2B Q goes high it enables NAND gate U4A. NAND gate U4A provides a negative-going clock pulse to NOR gate U5C which provides, in turn, a positive pulse to NAND gate U4B. Since NAND gate U4B pin 4 is held high by the output of NAND gate U3A, the output of NAND gate U4B clocks the digit 1 BCD information into the temporary storage register.

When the next clock pulse appears the "D" input to U2A is low. The Q output goes low and the Q output goes high. The lower AND gates in U8A, U8B, U9A and U9B are now enabled and the upper AND gates are inhibited. The multiplexer outputs are the same as the digit 2 inputs.

When U2A Q goes low, NAND gate U4B is enabled, the Q output of U2B is still high, and the second clock pulse appears. The clock is coupled through U4A, U5C and U4B to clock digit 2 into the temporary storage unit in the digital control unit.

Since NAND gate U4C pin 9 is now held high by U2A Q the clock pulse at U4C pin 10 causes the output of U4C to go low and clear flip/flop U2B. When U2B is cleared the Q output goes low to inhibit U4A, the Q output goes high to enable the command one-shot on the rear interface board, and the circuit is quiescent until the next command pulse is received.

ADDRESS INPUT

When all four digit 1 lines are high (BCD 15), NAND gate U3A output is low. This low level inhibits the temporary command gate U4C; through inverter U1D it also enables the permanent (transfer) command gate U4D. When the input command pulse appears (U2A "D" input goes low), the first clock pulse will cause U2A Q to go high and Q to go low. The high Q output causes the output of NAND gate U4D to go low.

The digit 2 inputs have been simultaneously applied to BCD to decimal decoder U10. When the digit 2 address is 0000 (center frequency) pin 1 of U10 goes low to address the information stored in the temporary storage register to the center frequency register.

When the digit 2 address data causes U10 to produce a low to the input of one of the NOR gates connected to the U10 outputs, a train of ten clock pulses transfer the data stored in the temporary storage register to the selected final register.

The outputs from the multiplexer are not used during the address function.

Operation of U2B is the same during the address function as it is during the data function.

When the next clock pulse appears the state of U2A and U2B will change and the circuit is quiescent until the next command pulse appears.

Service

SERVICE SHEET 37 (Cont'd)

POWER DETECT CIRCUIT

Q4 and U5D comprise a power detect circuit. The pin 11 input to NOR gate U5D is low unless the reset input to Q4 is grounded. When the +5V power supply is below about +4.75 volts, pin 12 input to NOR gate U5D is high, and the output from U7D is low. When the PWR DET output is low the center frequency register and the modulation register are cleared. This prevents incorrect programming when the instrument is first turned on before the power supplies have stabilized. When a ground is applied to the remote reset line Q4 is turned off, pin 11 of NOR gate U5D goes high and the U5D output goes low. The result is the same as when the +5V power supply is low.

FLAG CIRCUIT

The flag circuit provides a busy signal to the remote programming device. Whenever any one or more of the inputs to U3B are low the output is high. This output is inverted on the rear interface board and applied to rear panel connector J3 pin 17.

There are several factors which determine the duration of the flag signal.

When data is being programmed into the temporary storage register in the digital control unit the duration of the flag signal is a maximum of about 1.5 microseconds. It starts when the command pulse causes U3B pin 9 to go low. U2B Q almost immediately goes low to end the command pulse. The command line now goes high, but U2B Q is now holding U3B pin 13 low so the flag pulse

Model 8660C

continues. When the second clock pulse causes U2B to be cleared, U2B Q goes high and the flag pulse is ended. One-shot U7 cannot be triggered because the high output of U3A is inverted and applied to pins 3 and 4 of U7.

When the plug-in programmable attenuator in the RF Section plug-in is being addressed one-shot U7 is triggered when U2B Q goes low on the second clock pulse (U7 pins 3 and 4 are now held high by the inverted low at U3A pin 6). One-shot U7 pin 6 goes low and the flag signal is extended to about 50 milliseconds. The low output from U10 pin 4 turns off Q2 and the Q2 high output turns off Q1. The time constant of one-shot U7 is determined by R7, C3 and C4.

When any address other than the programmable attenuator is programmed, one-shot U7 extends the flag signal to about 3 or 4 milliseconds. Operation of the circuit is the same as when the attenuator is addressed except that Q1 and Q2 are on and the time constant of the one-shot is determined by R6 and C4.

When the FM modulator is being calibrated a 5 second pulse appears at A3XA3 pin 15 which is applied to U3B pin 12 to produce an output pulse that is 5 seconds in duration.

LOCAL MODE

In the local mode the AUTO-MAN input is high. Inverter U1C inverts this level to hold the clear input to U2A low and the Q output high. This inhibits all of the circuits on the front interface board except U1C, U1A and U1B. U1A and U1B again invert the AUTO-MAN input to provide a LCL-RMT fan-out of ten to the plug-ins and the digital control unit.

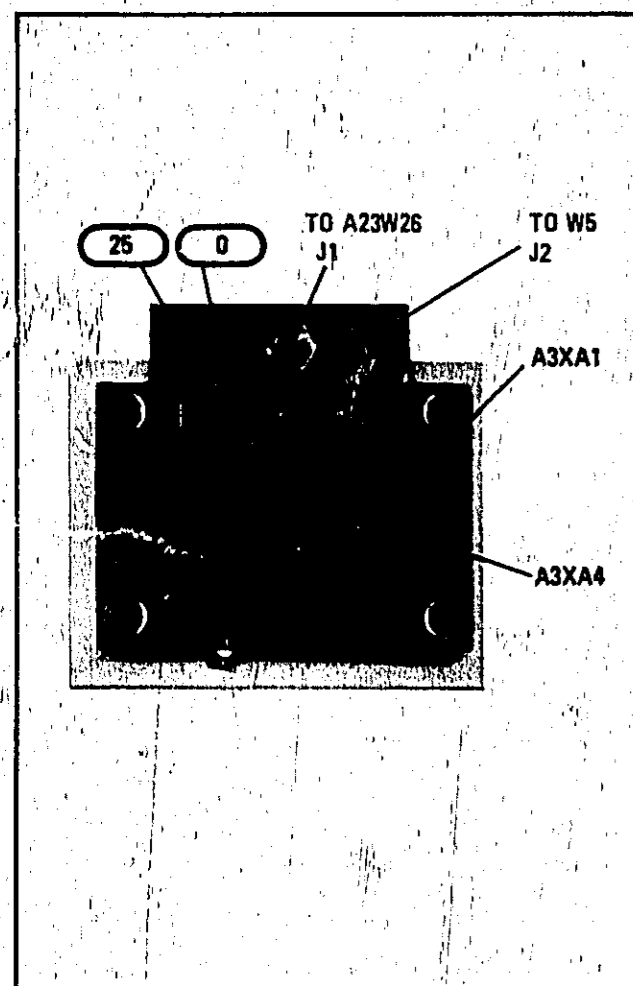


Figure 8-95. Interface Mother Board

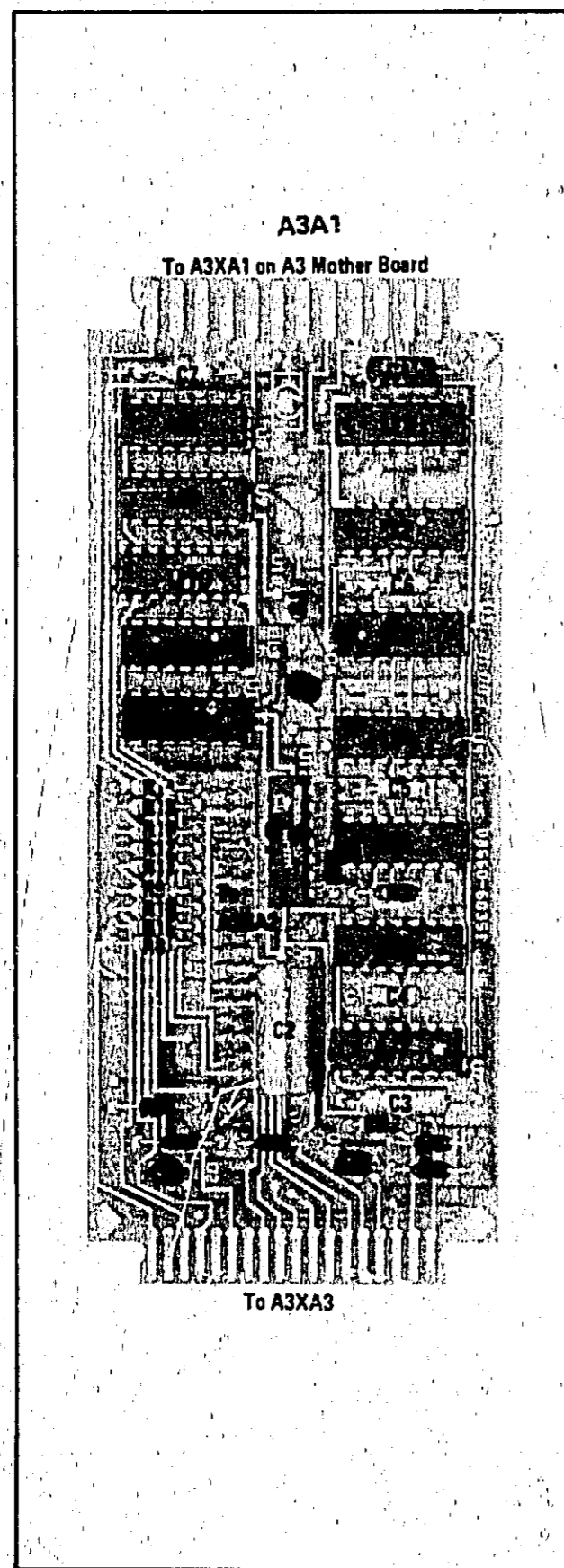


Figure 8-96. A3A1 Front Interface Board Component Locations

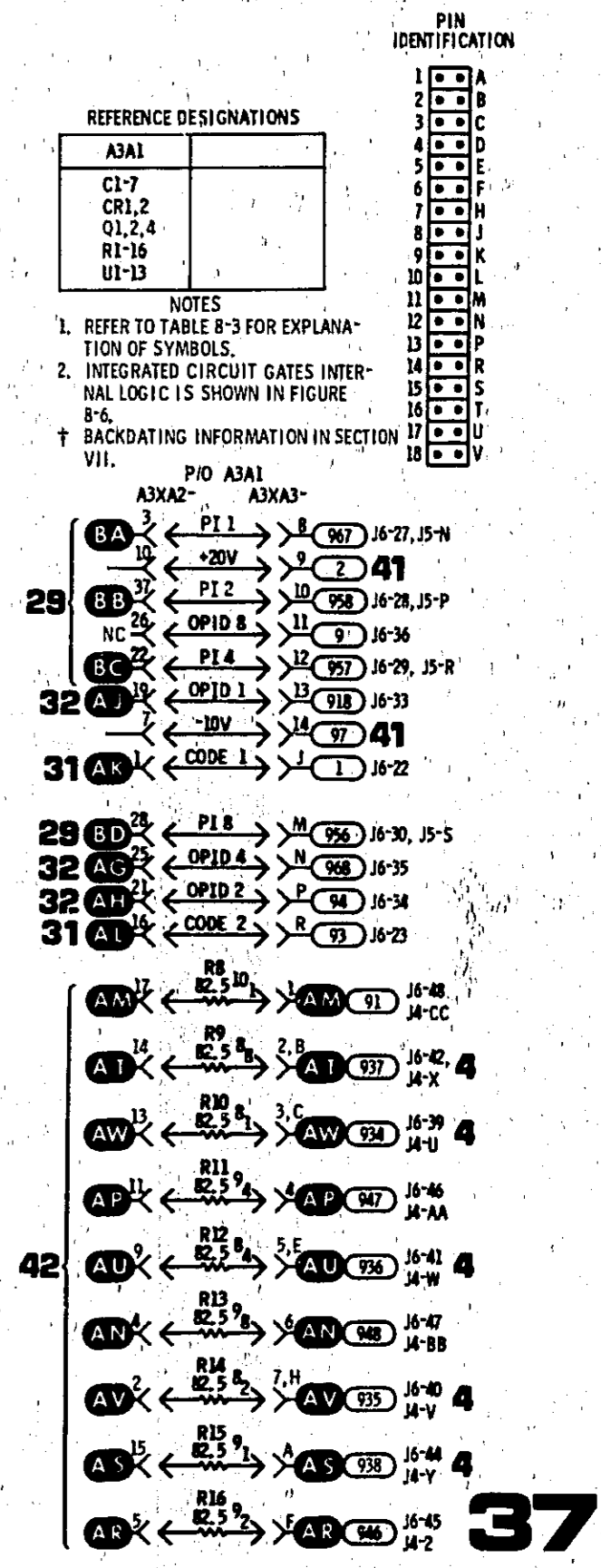
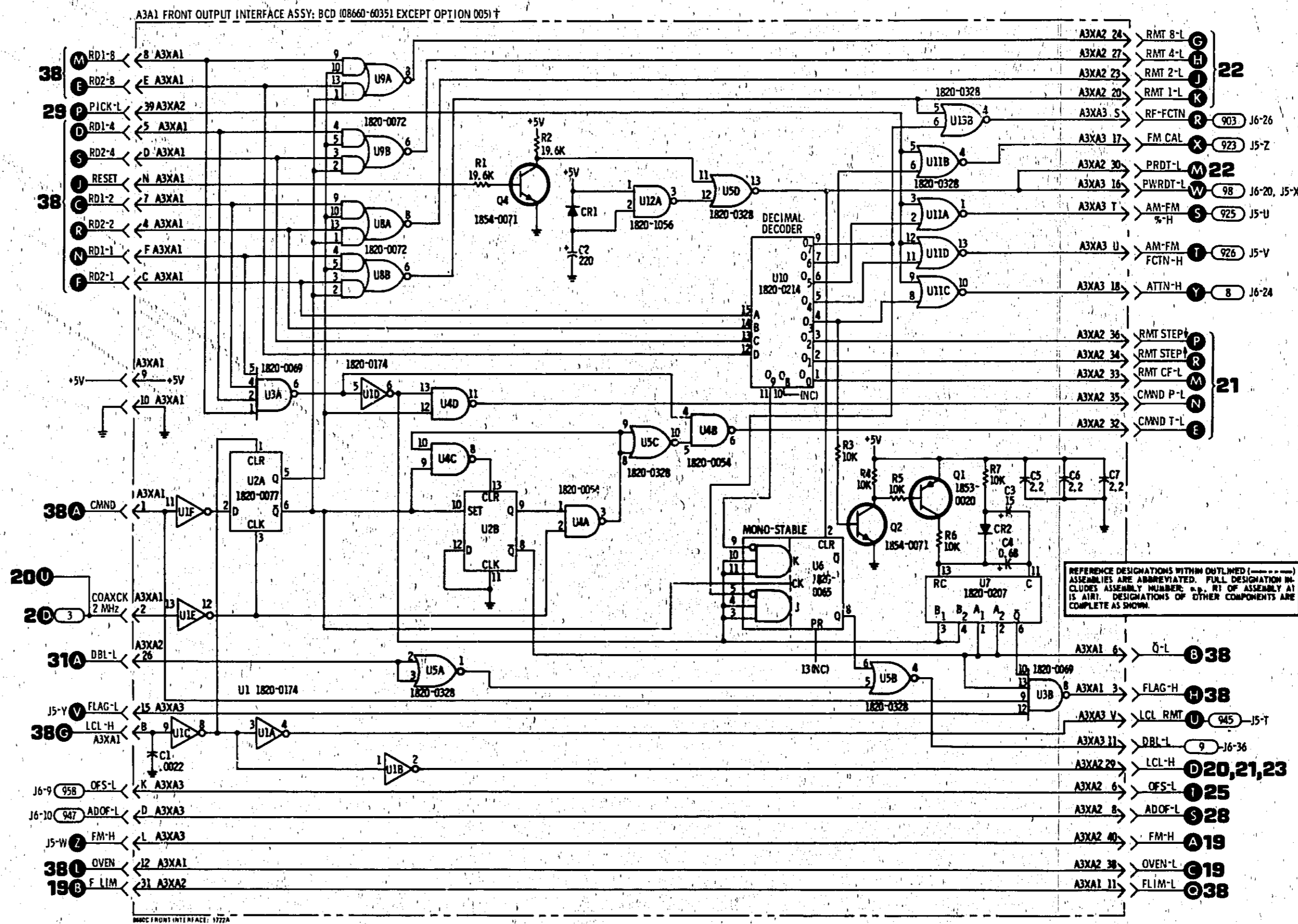


Figure 8-97. A3A1 Front Interface Board Schematic

37

SERVICE SHEET 38

REAR INPUT INTERFACE CIRCUIT BOARD

Normally, causes of malfunctions in the Model 8660C will be isolated to a circuit board or assembly as a result of performing the tests specified in the troubleshooting trees.

When trouble has been traced to the rear interface circuit board it will be necessary to swing the A4 assembly out of the frame to provide access to the wiring side of the circuit board.

TEST EQUIPMENT REQUIRED (See Table 1-2)

Oscilloscope (with 10:1 divider probes)
Digital Voltmeter

GENERAL

The major purpose of the interface circuits is to assure compatibility between the digital control unit, the phase lock loops, the plug-in sections and the programming information from the remote programming device (via J3).

REAR INTERFACE CIRCUIT

The BCD inputs from the remote input (J3) are applied to the "D" inputs of two quad latch flip/flops (U2 and U4). When a negative-going command pulse appears at the input to U3A the outputs of U1D and U1C clock U2 and U4.

Since the \bar{Q} outputs of U2 and U4 provide the front interface drive signals the negative-true input BCD data (low = 1, high = 0) is inverted. This data is stored in U2 and U4 until the next command pulse.

NAND gates U1A and U1B comprise a one-shot with a maximum time constant of 0.75 microsecond. Normally NAND gate U1B pin 6 is high because R21 is holding pin 4 of U1B low and pin 1 of NAND gate U1A is held high by the command line. Pin 5 of NAND gate U1B is normally held high by the \bar{Q} output of the flip/flop U2B on the front interface board. When a negative-going command pulse appears the output of NAND gate U1A at pin 3 goes high and is coupled through C4 to cause the output (pin 6) of NAND gate U1B to go low. The time constant of C4/R21 limits the negative-going pulse to a maximum duration of 0.75 microseconds to allow adequate time for a flip/flop in the front interface circuit to be clocked once by the 2 MHz clock (0.5 microsecond time base). To assure that two or more clock pulses do not appear in the front interface circuit while the command pulse is present, the inputs to NAND gate U1B pin 5 is caused to go low (output, pin 6 goes high) when the first clock pulse is received in the front interface circuit.

Q1, Q2 and NAND gate U3D comprise an error detect circuit. The input to NAND gate U3D pin 12 is from the reference oscillator (A21) assembly. When the oven temperature has not stabilized this level will be low. When either input to U3D is low the output will be high, Q1 will be turned on, and an error signal (low) will be applied to J3 pin 3 to inform the remote

SERVICE SHEET 38 (Cont'd)

programming device that the Model 8660C is not ready to receive data. The input to pin 12 of NAND gate U3D is also applied to the digital control unit to light a lamp on the annunciator block when the oven temperature has not stabilized.

The input to pin 13 of U3D is from one of two sources. The F LIM input from A3XA4 pin 11 originates in the digital control unit center frequency circuit and is a low when the selected output frequency is not within the range of the RF Section in use. The second input to control NAND gate U3D pin 13 is the "GHz" input at A3XA5 pin D. This input is a high when selected frequency is not within the range of the 1.3 GHz RF Section or the internal Frequency Extension Module. A high input to the base of Q2 will cause Q2 to turn on the output of NAND gate U3D will again go high to turn on Q1.

NAND gate U3C inverts the FLAG signal, which is generated in the front interface circuit, and applies it to J3 pin 17 as a busy signal to the remote programming device.

R25 and R29 hold the AUTO line (A3XA5 pin 5) high when the instrument is operated in the local mode. When J3 pin 5 is grounded by the remote programming device, this line goes low and the instrument is in the remote mode.

R26 and R30 hold the RESET line (A3XA5 pin J) high when no error is present in the remote programming device. When an error is present J3 pin 24 goes low and causes the PWR DET circuit on the front interface board to clear the center frequency storage register and shut off the modulation.

SERVICE SHEET 39

A3A2 REAR INPUT HP-IB OPTION 005 ASSEMBLY

General

Basically the HP-IB input assembly accepts the data from the bus, detects the programming action taking place and provides outputs that determine the operational parameters for the Model 8660.

Voltage Dividers (R2, R6) and Schmitt Triggers (U8, U14)

R2 and R6 are resistive arrays which contain eight two-resistor voltage dividers each. Each voltage divider consists of (typical values) 3000 ohms to +5V and 6200 ohms to ground. These dividers bias the input lines to about +3V when the lines are not being driven by data. These dividers are used to keep the load on the bus, which is wire ANDed to all instruments, constant. Note that the lines which are not used in the Model 8660 (DI 08, E0I-L and SRQ-L) are also terminated in loads to preserve the constant loading of the HP-IB bus.

The HP-IB input lines are negative true logic. These lines are high in the quiescent state and are pulled low in the assertive state (0V = H). One of the reasons for using negative true logic is that TTL "sees" an open circuit as a high. If positive true logic were used, a discontinuity or a disconnected connector would simulate a high and the inputs lines would see this as the assertive state.

U8 and U14 are Schmitt Triggers. These Schmitt Triggers improve the quality of the data inputs, provide buffering and invert the input logic levels. Buffering is required to limit the load on the controller to one standard load (approx. 1.6 milliamperes sink current) for each controlled instrument. Following the data lines it may be seen that they are again inverted to negative true logic. Again, the data bits cannot be directly used from the inputs lines because of excessive loading.

Address Decoder U12

One of the characteristics of a NAND gate is that all of the inputs must be high in order for the output to be low. Therefore, all of the inputs to U13 must be high before the output MLA-L (My Local Address-Low) can be in the assertive state. As may be seen by evaluating the circuits which provide the inputs to U13 only one set of input data bits will cause the output of U13 (MLA-L) to go to the assertive state. For the Model 8660 this is an HP-IB character 3.

If more than one Model 8660 is used in the system, each additional 8660's would require a different address. This involves a different set of address bits from the controller and changing the address jumpers to accept the new HP-IB character.

Service

SERVICE SHEET 39 (Cont'd)

Remote Flip/Flop U10A

When the REN (Remote Enable) input line goes low the input is inverted by Schmitt Trigger U14A and applied to the "D" input of U10A.

U10A, however, cannot change state until it is clocked by a combination of MLA-L, DAC-H, DAV-L and MRE-L. This is because it is desired to keep the Model 8660 in the local mode until it is addressed by the bus. U10A is clocked as follows:

1. When MLA-L goes low it is inverted by U11F and applied to one input of AND gate U9D.
2. The second input to AND gate U9D is the inverted DAC-H output of NAND gate U3B which is low until the data is accepted.
3. The high output of AND gate U9D is applied to one input of AND gate U9B. The second input to U9B is from AND gate U9A.
4. The inputs to AND gate U9A are the inverted MRE-L (Multiple Response Enable) and the inverted DAV-L (Data Valid) inputs.
5. MRE is an address function so it goes low first.
6. Finally, DAV goes low, is inverted and applied to the clock input of U10A. It is the negative-going DAV signal which supplies the positive-going pulse to clock U10A.

When MLA-L is low and U10A is clocked the U10A Q output goes high and the \bar{Q} output goes low.

Model 8660C

Note that the \bar{Q} output of U10A is labeled LCL-H. When the LCL line goes low the Model 8660 goes to the remote mode and the front panel controls (except for STBY/ON) are inhibited.

Address Flip/Flop U10B

When MLA-L goes low it is also used to set the "D" input to U10B high. This is accomplished as follows: the pin 10 input of U1C is high, and until an "unlisten" command appears, so is the pin 9 input. The high output of U1C enables the "D" input of U10B.

U10B is clocked in the same manner as U10A, by a combination of MRE and DAV.

The Q output of U10B is applied to one input of AND gate U1A. The second input to U1A is MRE, which is now in the quiescent state (high), so the output of U1A (\bar{ADR} -H) is also high.

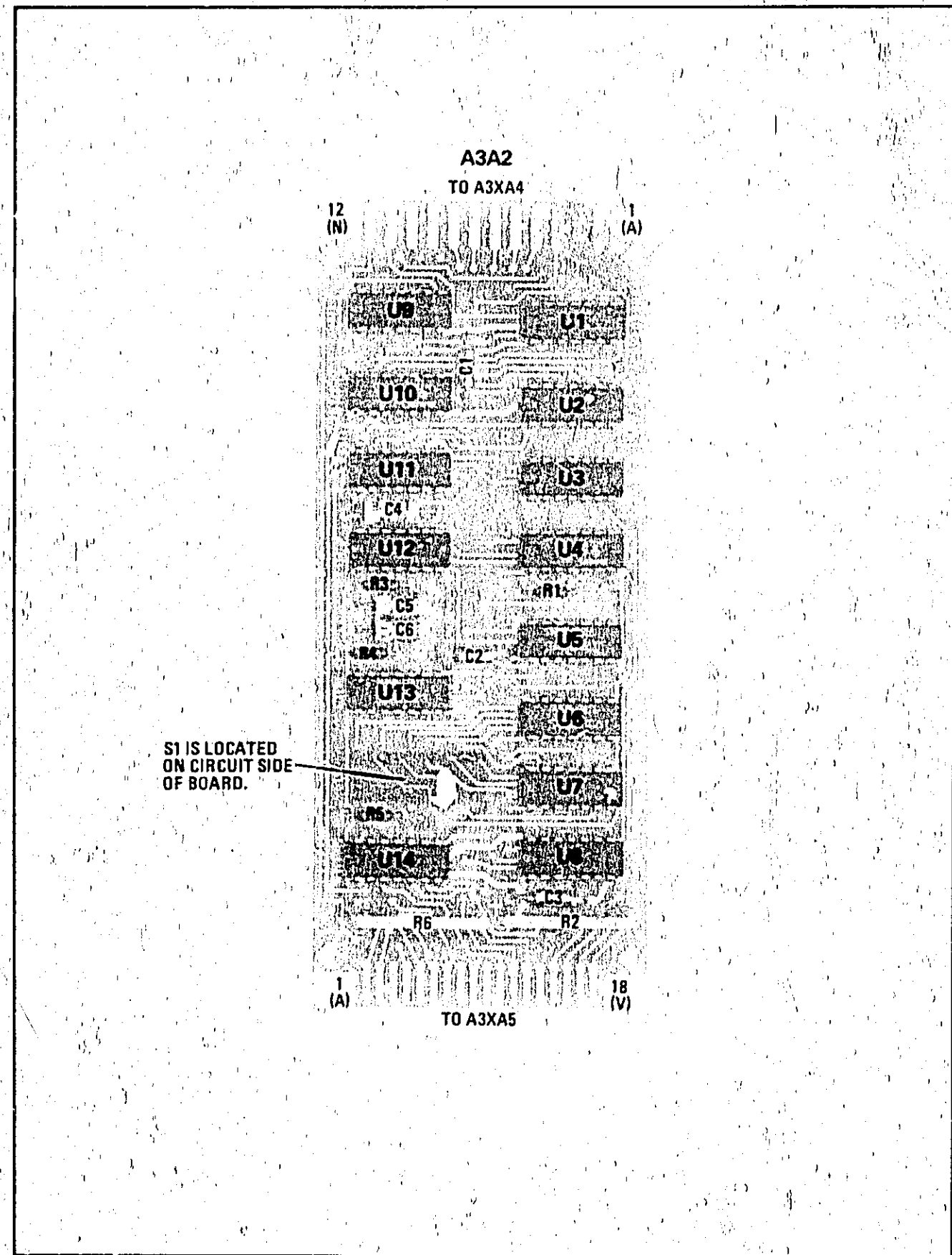
Unlisten Gate U6

When all of the inputs to U6 go high the address flip/flop is reset and the incoming data has no effect on the Model 8660.

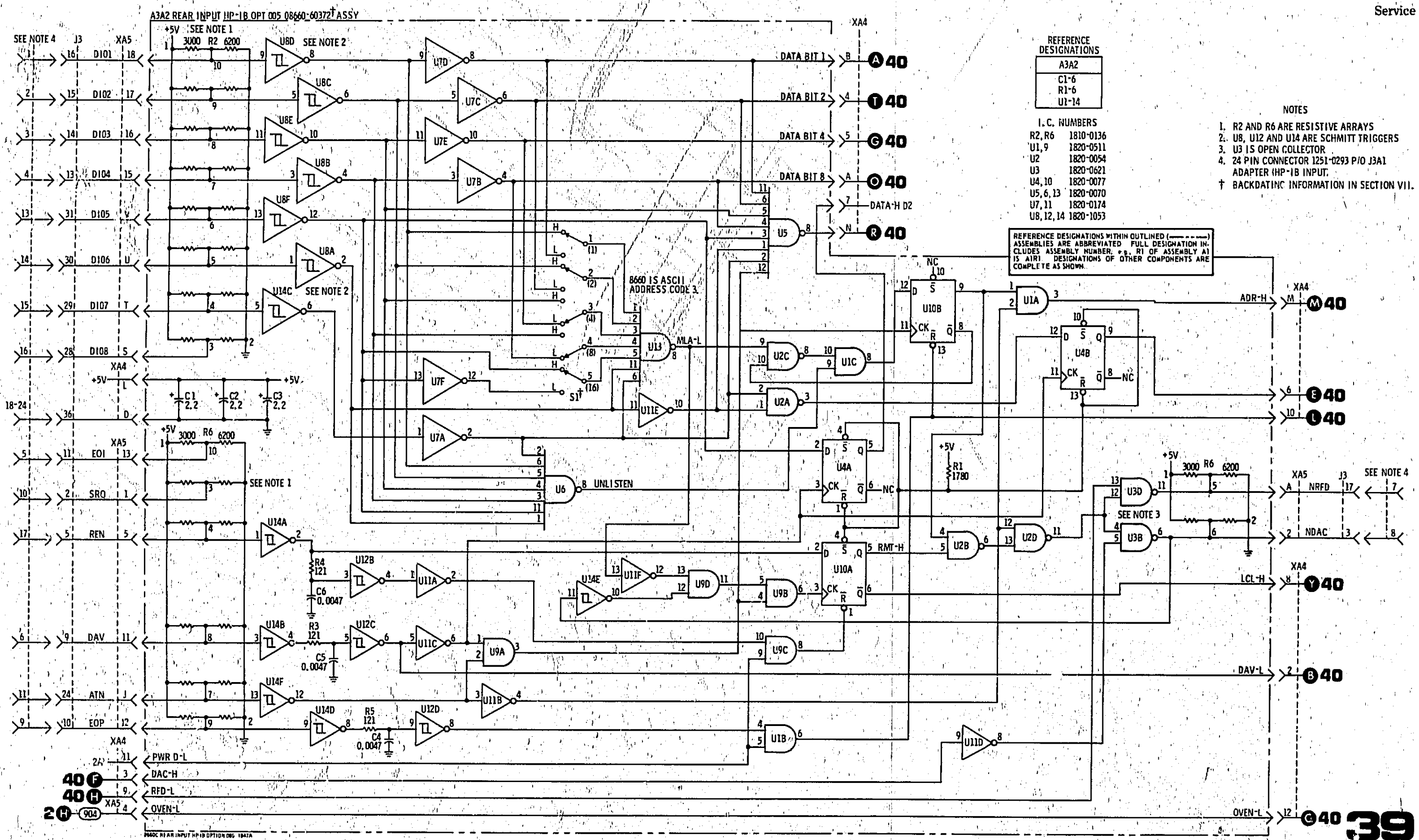
DCR-L Gate U5 (Device Clear)

When all of the inputs to U5 go high the output goes low. The low output has the same effect on the Model 8660 as the power detect circuit. The instrument is initialized with frequency (8660C) and attenuation set to predetermined values.

The remaining gates and inverters are conventional and should pose no problem to the average technician.



† Figure 8-100. Option 005 A3A2 Component Locations



REFERENCE DESIGNATIONS

A3A2
C1-6
R1-6
U1-14

- NOTES
1. C. NUMBERS
R2, R6 1810-0136
U1, 9 1820-0511
U2 1820-0054
U3 1820-0621
U4, 10 1820-0077
U5, 6, 13 1820-0070
U7, 11 1820-0174
U8, 12, 14 1820-1053
 2. R2 AND R6 ARE RESISTIVE ARRAYS
 3. U8, U12 AND U14 ARE SCHMITT TRIGGERS
 4. U3 IS OPEN COLLECTOR
 5. 24 PIN CONNECTOR 1251-0293 P/O J3A1 ADAPTER (HP-IB INPUT)
 - † BACKDATING INFORMATION IN SECTION VII.

REFERENCE DESIGNATIONS WITHIN OUTLINED (---) ASSEMBLIES ARE ABBREVIATED. FULL DESIGNATION INCLUDES ASSEMBLY NUMBER, e.g. R1 OF ASSEMBLY A1 IS A1R1. DESIGNATIONS OF OTHER COMPONENTS ARE COMPLETE AS SHOWN.

Figure 8-101. A3A2 Rear Input HP-IB Option 005 Schematic

SERVICE SHEET 40

A3A1 FRONT OUTPUT HP-IB OPT 005 ASSEMBLY

General

The HP-IB Output Board accepts inputs from the HP-IB Input Board, the DCU and the mainframe and converts these inputs to data which is used to program the mainframe, the plug-in sections and the HP-IB Input assembly.

Four-State Machine U7A/B

Located at the left side of Service Sheet 40 is a schematic representation of the four-state machine designated as U7A and U7B. Located outside of the schematic image area is an algorithmic state machine graph (ASM or flow chart) which graphically illustrates the operation of flip/flops U7A and U7B.

Each of the four states of the ASM are labeled at the upper right hand corner with the machine state (11, 10, 00 and 01). Each of the states refer to the state of the Q outputs of the flip/flops with the 1 representing a high. For example, the top box, labeled state 11, indicates that the Q outputs of both U7A and U7B are high. Note that in each case the first digit is for U7B and the second digit is for U7A.

Initially, with U7A/B in the quiescent state (state 11), the flip/flops are ready for DAV (Data Valid) to go low signifying that there is a data input. When DAV goes low it is inverted by U10E and applied to AND gate U1A. The other input to U1A is held high at this time by U7B Q, so the K input of U7A goes high.

The next clock pulse causes U7A to change state; Q goes low and \bar{Q} goes high and the ASM proceeds to state 10. In state 10 the incoming data is stored in U5 and the RFD state remains active.

Since there is no qualifier following state 10, the next clock pulse moves the ASM to state 00. In state 00 the command pulse to transfer the data is generated.

Like state 10, there is no qualifier following state 00, so the next clock pulse moves the ASM to state 01, which is the DAC (Data Accepted) state.

Following state 01 is qualifier DAV-H and BUSY-L. When the output of qualifier DAV-H and BUSY-L is low, the ASM is held in state 01. When the qualifier output goes high the ASM (and the flip/flops), return to state 11 and are ready for the next data input.

Flip/flops U7A/B control the three-wire handshake procedure within the instrument.

Jumper J1, when in place, is used to couple the internally generated BUSY signal to delay the RFD response. Without J1 the operator must make allowances in programming for the necessary settling time delays of the Model 8660.

SERVICE SHEET 40 (Cont'd)

Delay One Shot U6

U6, in conjunction with Q1 and associated components, comprise a delay circuit which inhibits the start of the RFD period when certain programming steps are initiated. This is required because the programming time required for different functions varies.

As an example of circuit operation assume that a change in frequency is programmed. Q1 is turned on and R3 and C5 determine the 5 millisecond operating time of the one-shot. One-shot output is from pin 4 to U1 and pin 12.

When an attenuation function is programmed, Q1 is turned off and R6, C4 and C5 determine the 50 millisecond operating time of the one-shot.

There is also a 5 second delay built into the Model 8660 DCU for use in the FM CAL operation. The HP-IB interface utilizes this signal to delay RFD for 5 seconds when FM CAL is programmed. This delay input is the FLAG-L (BUSY) signal.

Shift Register U5

U5 is a conventional 4-bit register which is operated in the preset mode. U5 functions as a temporary storage register.

When the inputs to U5 are data the U5 outputs are directly applied to the DCU.

When the inputs to U5 are an address, ENSL-H (Enable Select) goes high to enable the U3 AND gates and the address data is coupled to one-of-ten selector U4. When the U5 register is processing an address, the clock input, CP, at pin 10 is inhibited for 100 microseconds. This prevents controller change of address until after sufficient time has passed for the Model 8660C state machine process. Jumper J2 may be installed to disable this operation.

One-of-Ten Selector U4

U4 determines which programming function (address) has been selected, and, in conjunction with PICK-L (Plug-in Clock) couples the address data to the appropriate register.

Power Detect Circuit

U13A and associated components comprise a power detect circuit which inhibits circuit operation on initial turn-on until the power supply has reached a stable condition. Initialization follows removal of the low level pulse, setting frequency to 1 MHz and attenuation to -140 dB.

Table 8-54. A3A1 Front Output HP-IB Opt. 005 Board Jumper Installation

Jumper	Function	When to Install
J1	Busy Enable — Keeps the Data Accepted line not valid for the settling time of the function programmed, 50 ms for the attenuation and 5 ms for all other functions. Nothing can be programmed on the HP-IB until the settling time ends.	Optional for 8660C. If the jumper is not installed, the programmer must compensate for the settling time of the instrument. Required for 8660A.
J2	Provides for faster internal operation which is possible when using an 8660A.	Install only with an 8660A but never with an 8660B or 8660C.
J3 (not on all boards)	Provides an internal change to provide compatibility with the HP 9825 calculator.	Install when using an 8660B or 8660C with an HP 9825 calculator and J1 is not installed. DO NOT install both J1 and J3.

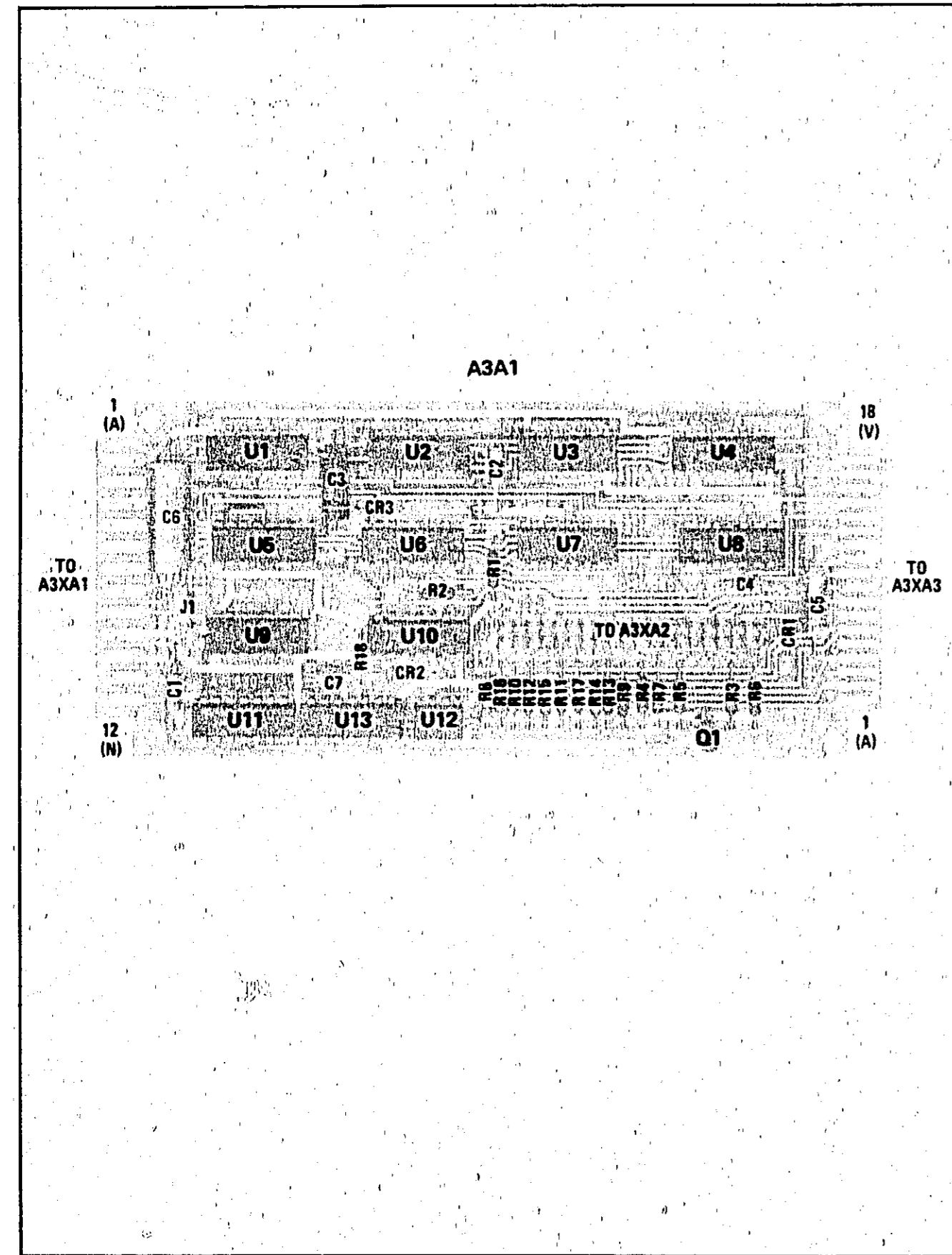


Figure 8-102. Option 005 A3A1 Component Locations

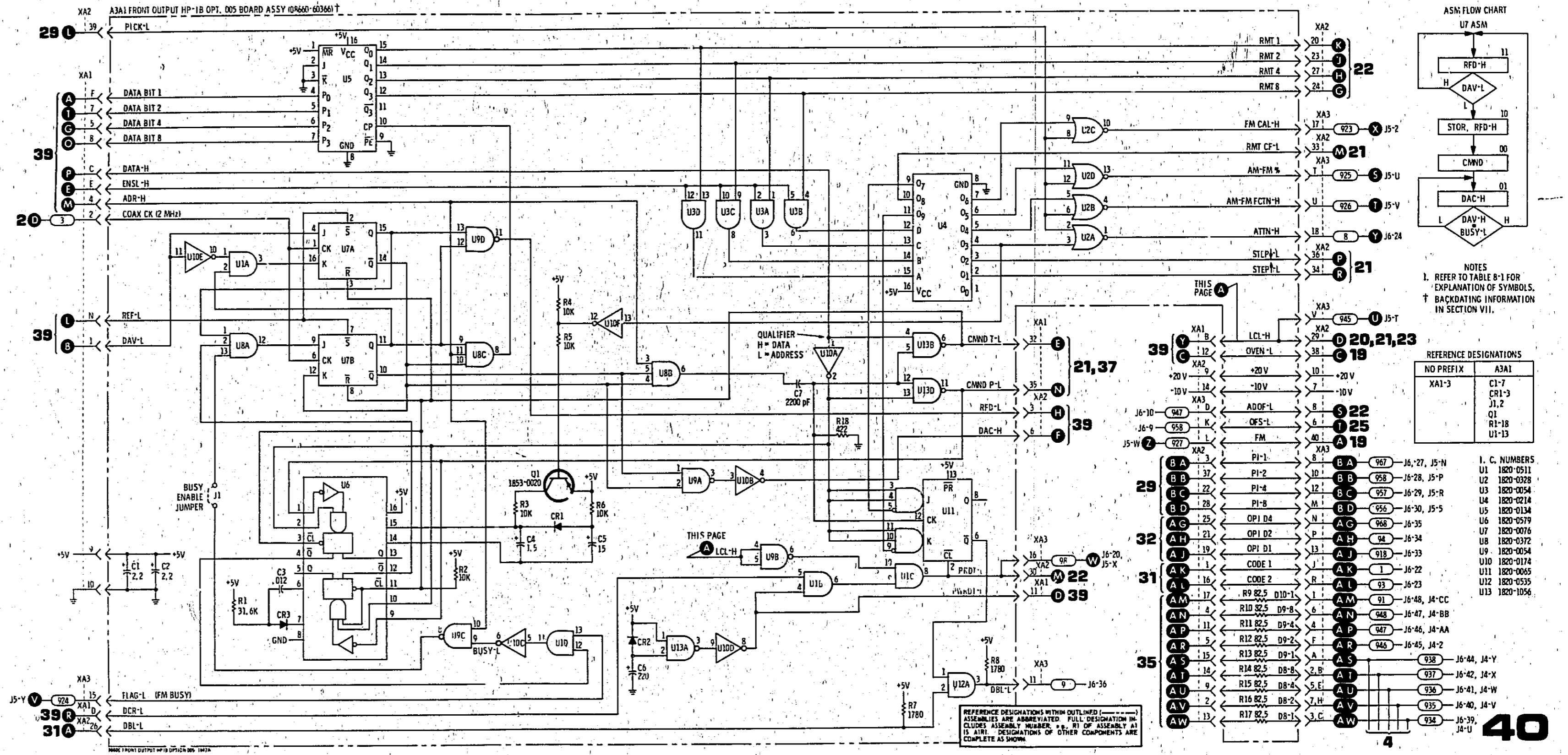


Figure 8-103. A3A1 Front Output HP-1B Opt. 005 Schematic

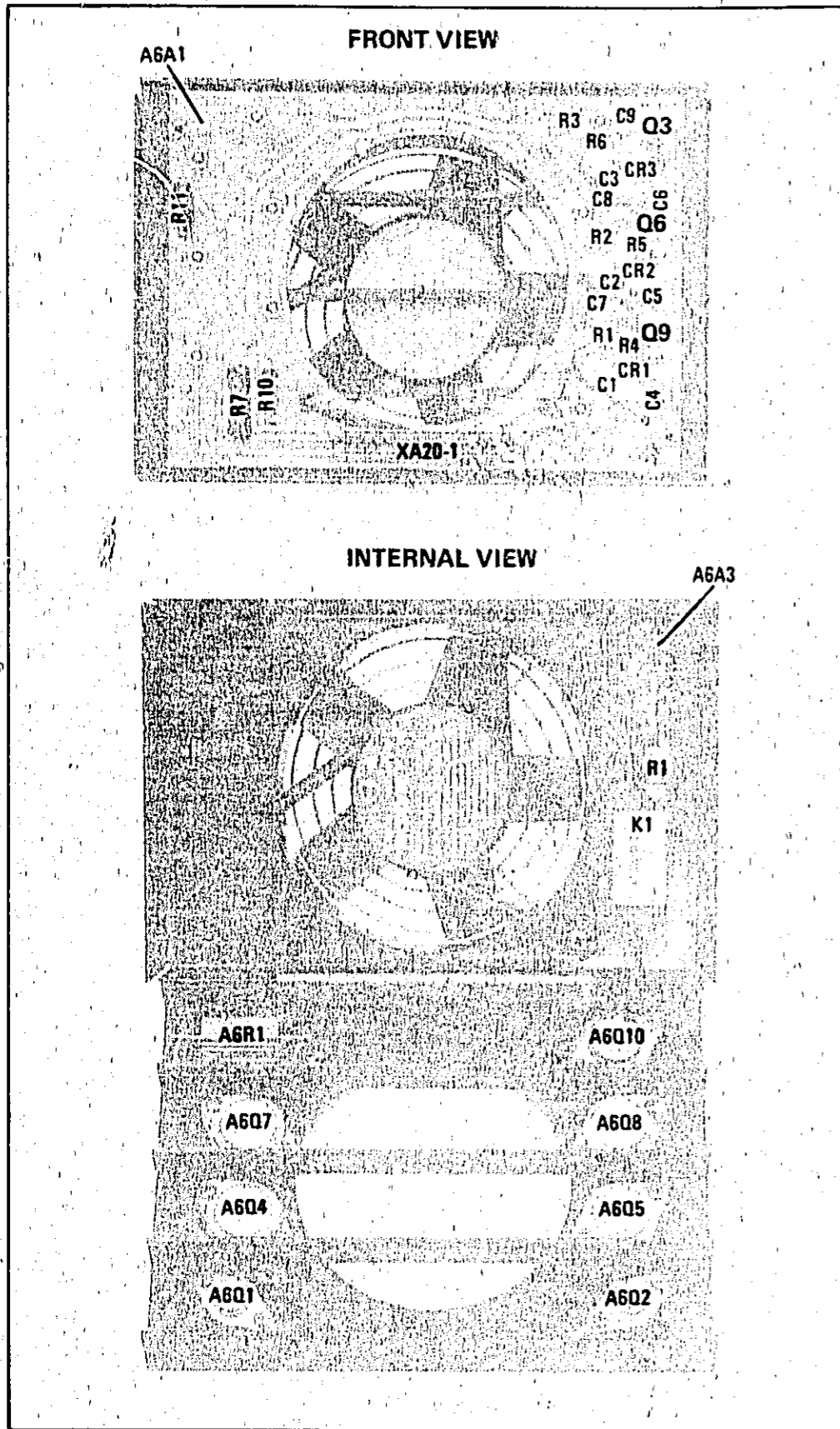


Figure 8-104. A6A1 Assembly Component Locations Front and Internal Views

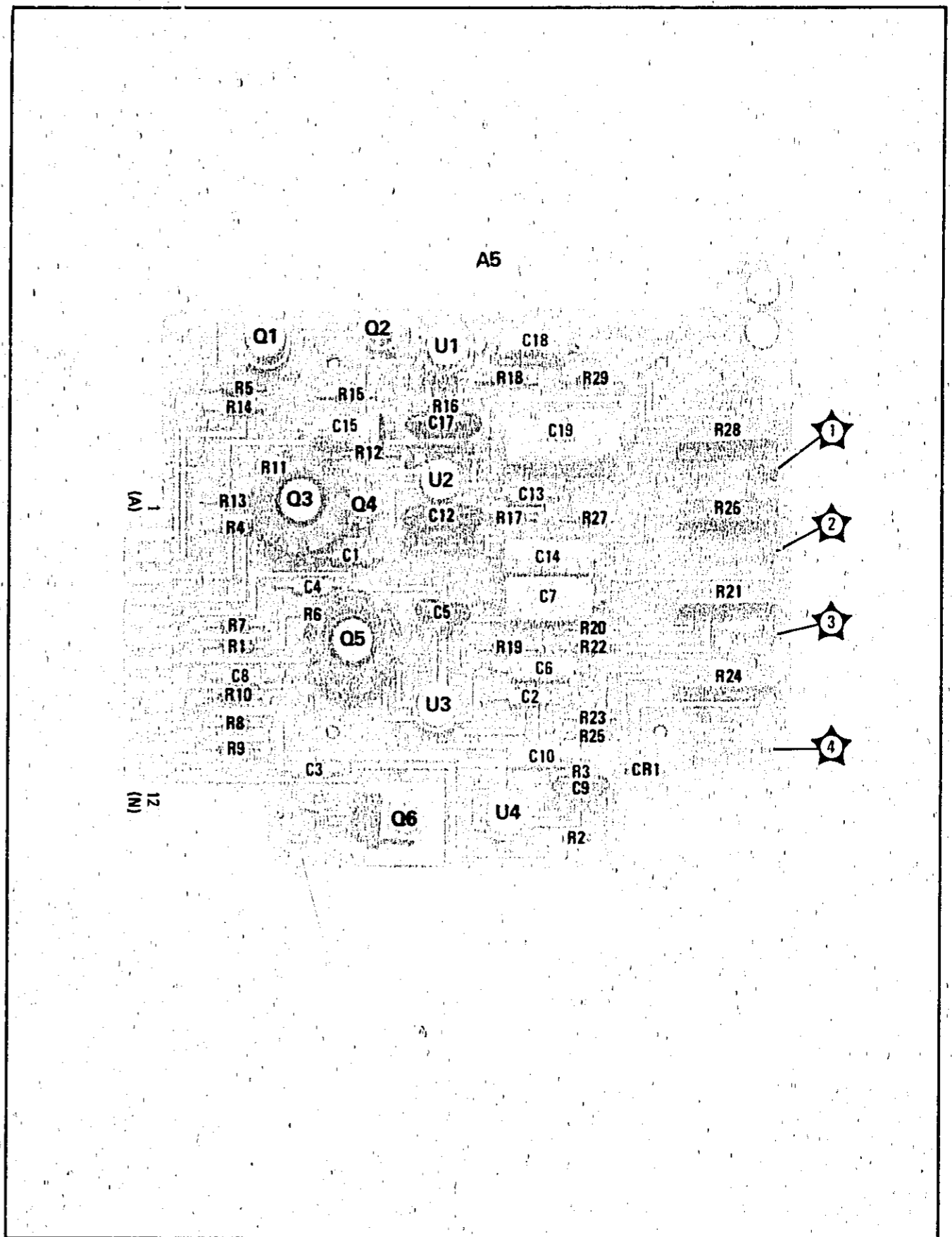


Figure 8-105. A5 Component Locations

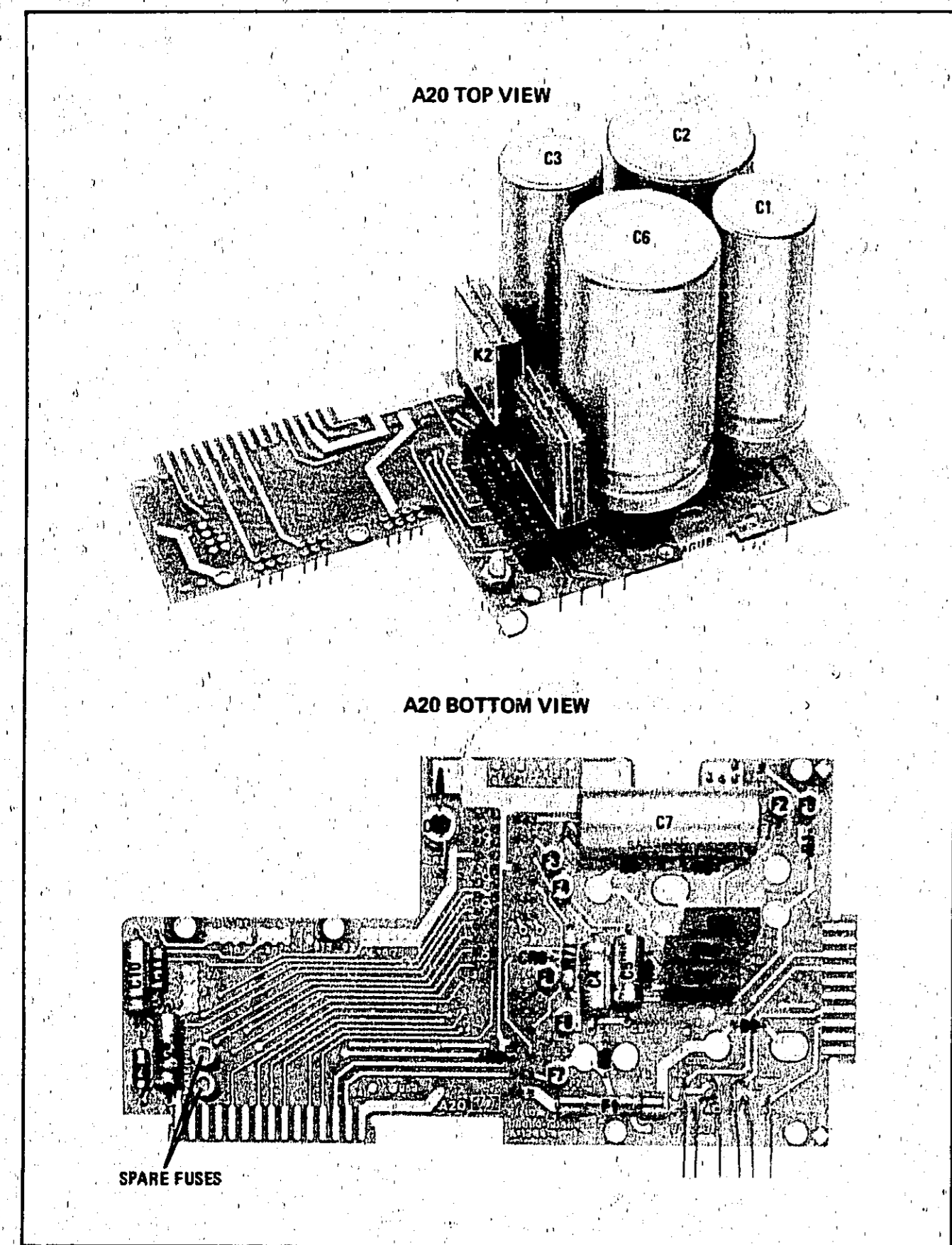


Figure 8-106. A20 Top and Bottom Component Locations

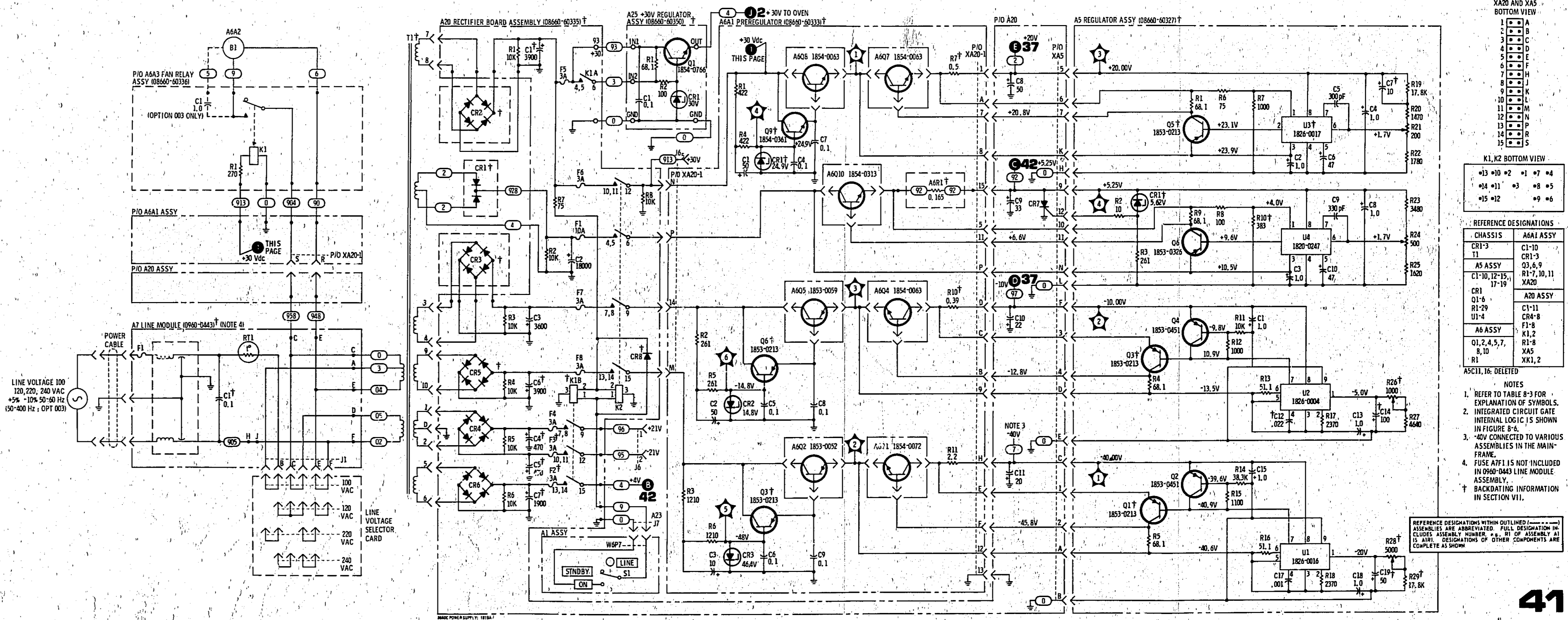


Figure 8-107. Power Supply Schematic

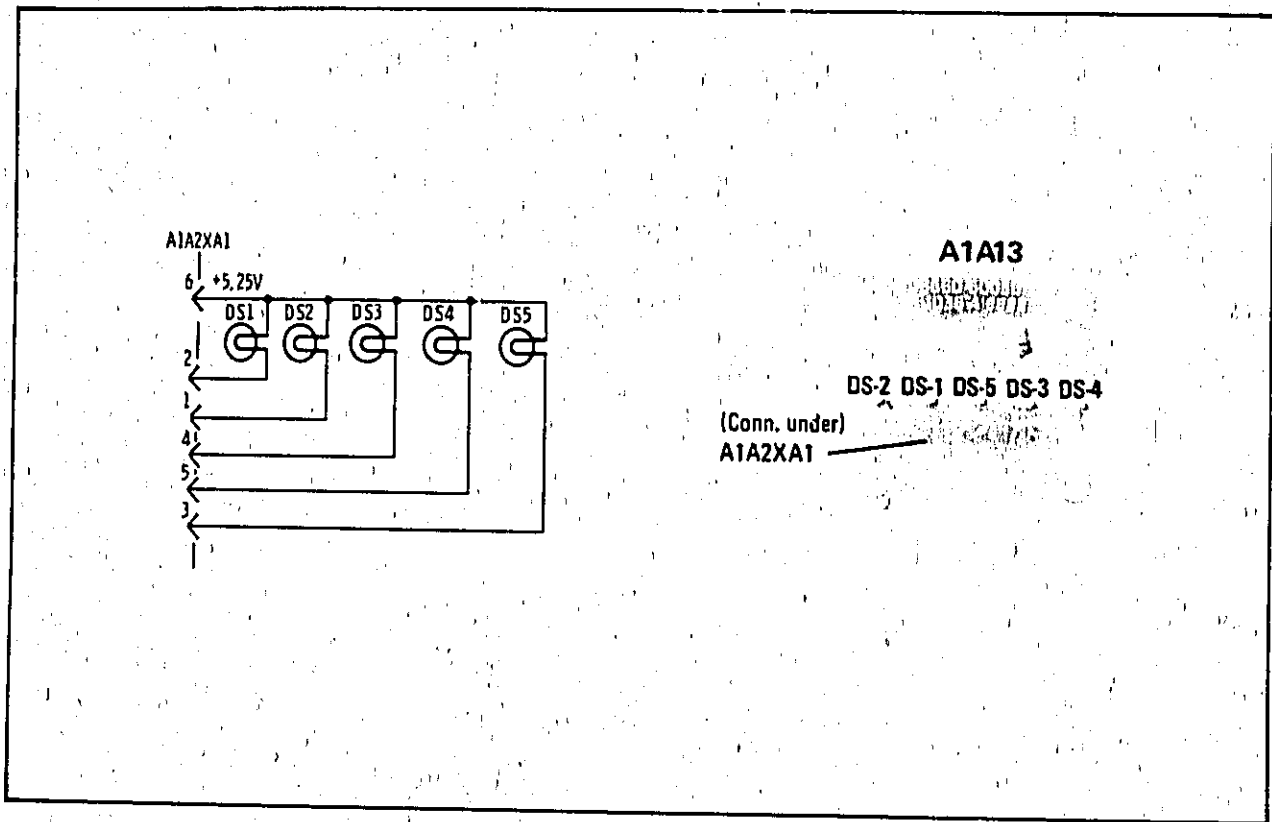


Figure 8-108. A1A2 Annunciator Assembly and Schematic.

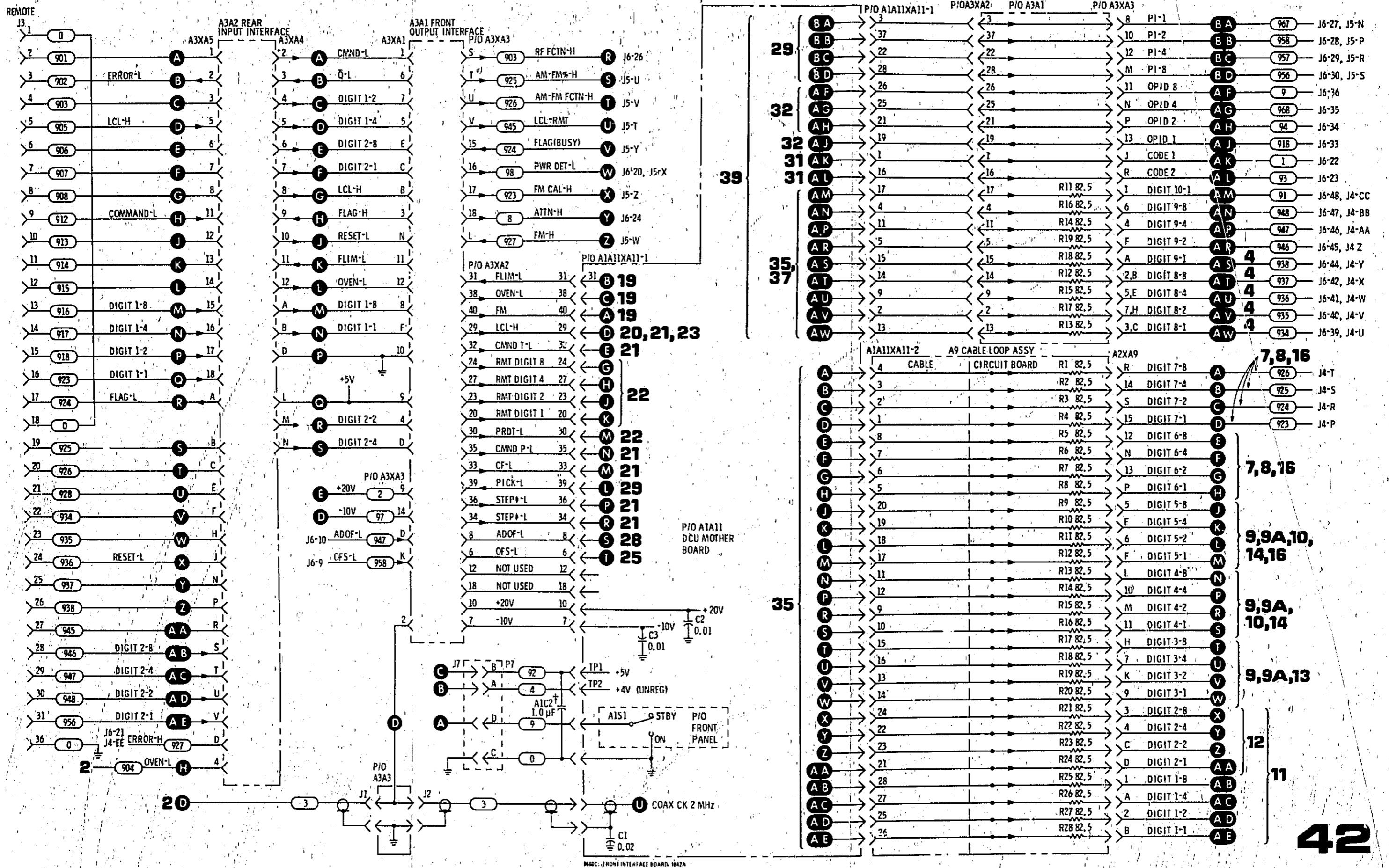


Figure 8-109. DCU and Interface Wiring Diagram

DCU TROUBLESHOOTING USING ASM FLOWCHARTS

General Description

The DCU (Digital Control Unit) uses a form of sequential logic known as an Algorithmic State Machine (ASM). The actual ASM is really only two assemblies of the ten in the DCU. The other assemblies process data and are controlled by signals from the ASM. The ASM assumes a series of states. Each state is denoted by a 7-bit binary number. For convenience this binary number is decoded as two decimal numbers by grouping together the right four bits and left 3 bits, i.e., 101 1011 would be 5/11. Every state has a unique set of output signals called instructions which are active during that state. The number of instructions in this set can be zero or any number. These signals control other DCU logic circuits which process data.

The sequence of states which the ASM assumes depends on what action is to be performed. Generally, the ASM goes from the state it's in to one of two possible next states. An input signal to the ASM called a qualifier determines which of the two possible next states the ASM will go to. Qualifiers are generated in the DCU logic and represent the status of some event or process in the DCU. For example, pushing a key on the front panel generates some qualifiers to tell the ASM what has happened.

The seven bit state number is stored in seven flip-flops on the A4 assembly. LED's are mounted on the top edge of the board and display the state number stored in the flip-flops. In normal operation the ASM goes from one state to the next at a one MHz rate. You can disable this clock and step the ASM from state to state by pushing a switch on the top edge of A4. You can stop at each state as long as desired to measure qualifiers and instructions or read the state number on the LED's.

The operation of the ASM is best described by a flow chart. The rectangular boxes represent the states which the ASM assumes. The state number is in the upper left hand corner of the rectangle.

The mnemonics inside the rectangles are instructions which are active during that state. The mnemonic convention used in the 8660C is that all mnemonics end with -L or -H which defines the active state of the signal as low or high. In states where the signal [RKD2, KF10]-H is active, the signal is high. In all other states it is low. Two mnemonics in brackets means that there is only one signal but it performs two functions. Each mnemonic refers to one of the functions. In the troubleshooting flow charts below each mnemonic is information describing where that signal originates and where it goes, i.e., in the example A5→A2, A1 the signal originates on A5 and goes to A2 and A1. There is mnemonic information (Table 8-4) which may be helpful in explaining what the mnemonic means.

The mnemonics inside the diamond shaped symbols denote qualifiers. There are two branches from the symbol. If the qualifier is low in Figure 8-110, the ASM will go to state 4/1, otherwise, the qualifier is high and the ASM goes to state 0/5. The qualifier is an input to the ASM. All qualifiers go into a multiplexer on the A4 board and the ASM addresses this multiplexer to select the qualifier (if any) that will be checked in each state.

DCU TROUBLESHOOTING USING ASM FLOWCHARTS (Cont'd)

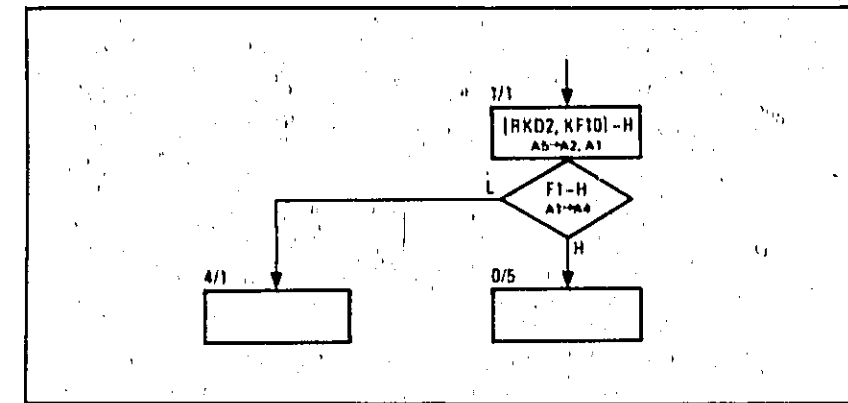


Figure 8-110. ASM Flow Chart Example

TROUBLESHOOTING

The ASM flow chart is a very powerful troubleshooting tool. Troubleshooting flow charts in this chapter provide detailed information about the ASM state sequence for specific DCU operations. These charts specify the state of every qualifier and describe qualifiers and data flow for specific DCU operations.

In order for the DCU to operate properly, the following conditions must be met:

1. The ASM must go through the proper state sequence. This requires that all qualifier circuitry is operating correctly.
2. The ASM must generate the correct instructions which go to the data processing circuitry.
3. The data processing circuitry must perform the proper action when it receives an instruction from the ASM.

Each condition can be met only if all those above it are met. This fact leads to a logical method of troubleshooting the DCU.

1. The area of trouble must be localized. This can best be done by using the DCU Block Diagram.
2. Confirm that the ASM is going through the proper sequence by using the troubleshooting flow charts. This verifies condition (1), above, which is a necessary but not a sufficient condition for DCU operation.

Two ways of checking the ASM are to single-step using the pushbutton on the A4 assembly, or to use a logic analyzer to dynamically monitor the ASM operation. The logic analyzer is the better method. The state flip-flops on the A4 board can be monitored as well as any instructions or qualifiers of interest.

Single-stepping can be done by following the HOW TO USE instructions included with every troubleshooting flow-chart.

4. If the output signals from the ASM are correct, check that the data processing circuitry is correct. This can be done by checking that the data moves from register to register as it should. Logic diagrams of the IC's used in the registers are contained in Figure 8-111.

DCU TROUBLESHOOTING USING ASM FLOWCHARTS (Cont'd)

TROUBLESHOOTING FLOW CHARTS

Figures 8-113 through 8-122 are troubleshooting flow charts for the most common DCU operations. These charts specify in what states qualifiers and instructions should be for specific DCU operation. Each chart is really a subset of the main DCU Algorithmic State Machine Flow Graph.

Tables 8-55 and 8-56 describe the operation of flip-flops and counters which affect and are affected by the ASM. These tables provide more details of operation than can be described on the flow charts.

All flow chart sequences start with state 0/0 and end with state 0/0. The starting point on each chart is the upper left hand corner. The end of each sequence is on the right hand edge of the chart when state 0/0 is reached. This state 0/0 is the same state at which the sequence was started.

There is one difference between using the single-step pushbutton and the logic analyzer. Putting the DCU in manual mode causes the state flip-flops to be clocked by the MAN SW pushbutton; however, the data registers in the DCU are still clocked by the DCU clock. There are many states where data is transferred from one register to another which takes 10 clock pulses. States 1/12 and 2/5 in Figure 8-116 are examples. When using the logic analyzer, you would see the ASM staying in each of these states for 10 clock pulses. When using the MAN SW pushbutton, pushing the button moves the ASM from state 6/7 to state 1/12. Pushing the button again moves the ASM to state 2/2. When state 1/12 was reached, the data was transferred by the next 10 pulses of the system clock. Thus the qualifier was satisfied when the pushbutton was next pressed and the ASM appeared to stay in state 1/12 for only one clock pulse.

Removal of the DCU for Troubleshooting

Access to the top of the DCU A4 board where the single-step switch and the LED's which display the state are located is from the bottom of the instrument. Turn the instrument over and take off the bottom cover. There is a metal cover over the DCU with a slot allowing access to the test points, LED's, and single-step switch (MAN SW) on A4. Silk screening on the cover identifies these elements.

Further access to the DCU requires removal from the instrument. The DCU is fastened by four screws, two in the top corners and two in the bottom corners. Remove these screws and slide the DCU out about four inches. The power connector is held by a screw. Remove the screw and separate the connector. Unplug the orange clock cable and the two flat cables and pull the DCU out of the mainframe. Position the mainframe with the top up and place the DCU upside down on top of the mainframe behind the space where the DCU mounts. The front of the DCU should be at the rear of the mainframe. This is the only position which allows the cables to reach. Connect the cables and the DCU can be operated.

Table 8-55. Flip-Flops Used as ASM Qualifiers (1 of 2)

Mnemonic	Ref Designator A1	Description
CFR	A1U11B	This flip-flop is set during state 3/6 after one of the read-out control buttons is pressed. CFR stays set when the button is first released and is cleared when state 1/8 is reached.
F1	A1U16A	Interrupt flip-flop. Set in state 0/10 when a keyboard entry, a manual entry, or a push-button entry is made during a sweep operation. Reset in state 0/5 while the entry is being made.
F2	A4U16B	Initial entry flip-flop. Set when a units key is pressed (state 0/6) or when an entry key is pressed (state 0/7). Reset by first numeric entry (state 1/5) after being set. Used so the keyboard can be reset at the start of each new entry operation.
F3	A2U7B	Prevents an entry operation from being made before a units key is pressed. F3-L is active when the flip-flop is reset which means a units key has been pressed. Reset in state 1/6 when a units key is pressed. Set by states 1/11, 1/12, 1/13, or 1/0. Also set if CLEAR KYBD key is pressed.
F7	A4U16A	This flip-flop is set when sweep mode is entered during state 0/13. It remains set during sweep mode and is reset when leaving sweep mode during state 2/9. Also set under certain conditions during remote mode.
F8	A4U15A	Sweep ramp qualifier flip-flop. Used in sweep mode. When not set, prevents the RF output of the 8660 from changing by preventing the frequency steps calculated in the DCU from being sent to the output register. Not set when sweep mode is first entered during the time the digital frequency data is stepped from the beginning center frequency to the upper frequency in the sweep range at maximum rate. Set when the data is at the maximum frequency during state 2/15 and remains set until leaving sweep mode during state 2/9.
F9	A1U23B	Determines how fast the DCU steps the frequency data (the time between steps). Selects either the system clock rate (1 MHz) or the rate determined by the setting of the Sweep Rate Switch. The QSP flip-flop is clocked at the rate determined by F9. F9 is normally reset allowing the setting of the Sweep Rate switch to determine the time between steps. There are three conditions when F9 is set: <ol style="list-style-type: none"> 1) When sweep mode is entered, while the data is stepped from the beginning center frequency to the upper frequency of the sweep range. 2) When the sweep range exceeds the upper limit of the RF plug-in being used. Once an illegal frequency is stepped to, F9 is set in state 0/15 and the frequency data is stepped to the upper limit at system clock rate. 3) When part of the sweep range is below zero. When the frequency data is negative, F9 is set in state 0/14 and the frequency data is stepped to zero or above at the system clock rate. When each of these conditions no longer exists, F9 is cleared in state 0/9.
F10	A1U16B	Start flip-flop. When a keyboard entry, manual tune entry, pushbutton entry or sweep operation is initiated, F10 is set. A remote programming entry also sets F10. F10 must be set before the ASM can leave state 0/0.
IUP	A4U14B	These flip-flops inhibit sweep up and inhibit sweep down when in manual sweep mode if set. They are set and cleared by instructions from the ASM when the sweep counter on A1A8 reaches its maximum count or zero.
IDN	A4U14A	

Table 8-55. Flip-Flops Used as ASM Qualifiers (2 of 2)

Mnemonic	Ref Designator A1	Description
KD2	A2U17A	This flip-flop is set whenever a key is pressed (KDN-H made active) or CMND-P from the A3A1 interface assembly goes low in remote mode. The KD2-L output is one of the inputs which can cause the F10 flip-flop to be set.
MNE	A1U32A	Turning the manual tune knob on the front panel in either direction sets this flip-flop in manual sweep mode or manual tune mode.
QB	A7U19A	This flip-flop is set whenever the two digits being added generate a carry and cleared if a carry is not generated. Thus when a 10, 12, or 13 digit number is added, this flip-flop will be set or cleared for each operation but will retain the state for the last operation. There are two situations where add or subtract operations leave QB set. <ol style="list-style-type: none"> 1) When subtracting two numbers that gives a result less than zero. Trying to STEP ↓ an amount greater than the center frequency is an example. 2) When the frequency data is a negative number and a number is added to it making the new frequency a positive number. This happens when the sweep width is greater than twice the center frequency. Part of the sweep range would thus be negative numbers. The QB flip-flop is set when the lowest frequency is calculated which generates a negative number. Sweep width increments are added to this number, but as long as the result is still a negative number QB is not set again. At a certain point the result will be zero or greater and this operation will set QB.
QSP	A1U15B	QSP flip-flop. This flip-flop is periodically set at a rate determined by the SWEEP SPEED switch and flip-flop F9. After adding a step to the output frequency the ASM goes into a wait loop between 3/14 and 0/10 until QSP is set. Then it adds another step to output frequency and returns to the wait loop. Thus the rate at which QSP is set determines how fast the sweep occurs.
SW1	A1U23A	Flip-flops set for all sweep operations.
SWON	A1U28A	
ZER	A7U19B	Used only in sweep mode and can be set only in state 2/14. When QB is set because the lower frequency limit of the sweep range is a negative number, ZER is set and remains set until the frequency data becomes zero or greater.

Table 8-56. Explanation of Counters

Name	Ref Designator	Description
Encode Counter	A7U2	Used in manual tune mode and power on initialization to address ROM #4 (A7U9) which outputs the manual tune increments which are added to the data from the R bus. For power-on initialization ROM #4 puts out 0 001 000 000 (1 MHz, same as the course tune increment) which is added to the center frequency data which is all zeros because the register has been cleared. The result is 1 MHz which goes into the center frequency register.
Justification Counter	A3U20	This counter controls the justification operation. Refer to the circuit description of Service Sheet 23 for an explanation.

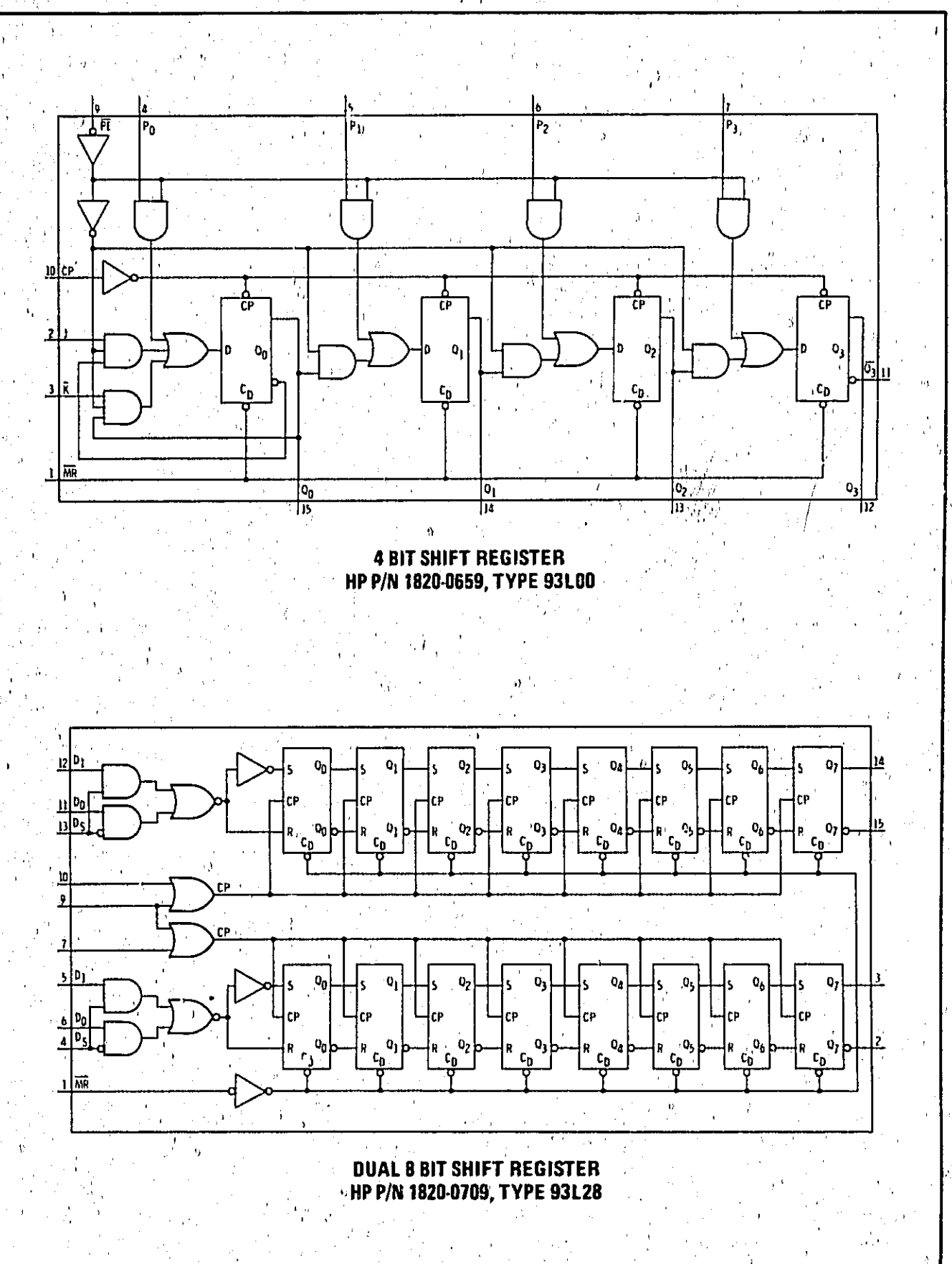


Figure 8-111. Logic Diagram of IC's Used in DCU Shift Registers

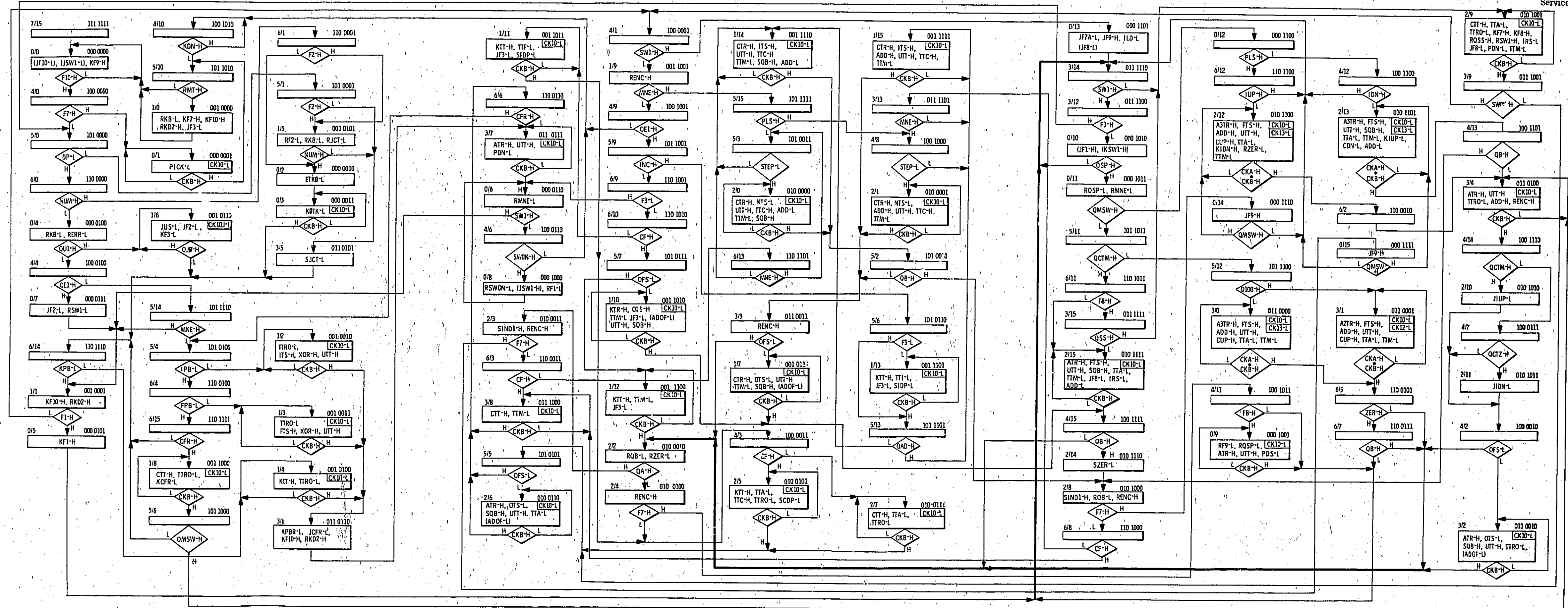


Figure 8-112. DCU Algorithmic State Machine (Flow Graph)

PRESSING NUMERIC KEY DATA FLOW

The keyboard decodes the key which is pressed and generates the BCD code which represents that key. When state 0/2 is reached, this BCD number is latched into the K0 register. During state 0/3 the K0 register and the Keyboard Shift Register are shifted 10 places to the right. This moves the number which was in the K0 register to the right end of the shift register. All the other numbers in the shift register end up one place to the left of their previous position. Every time a key is pressed this entire sequence is repeated. This shifting ensures that the least significant digit is shifted out of the keyboard register first, when the keyboard register data is shifting into other registers in the DCU.

HOW TO USE

1. Turn the LINE switch to STBY and then to ON to initialize the instrument.
2. Ground the DCU MAN TP momentarily.
3. Press a numeric key and hold pressed in.
4. Single step the ASM using the MAN SW and check using the troubleshooting flow chart.

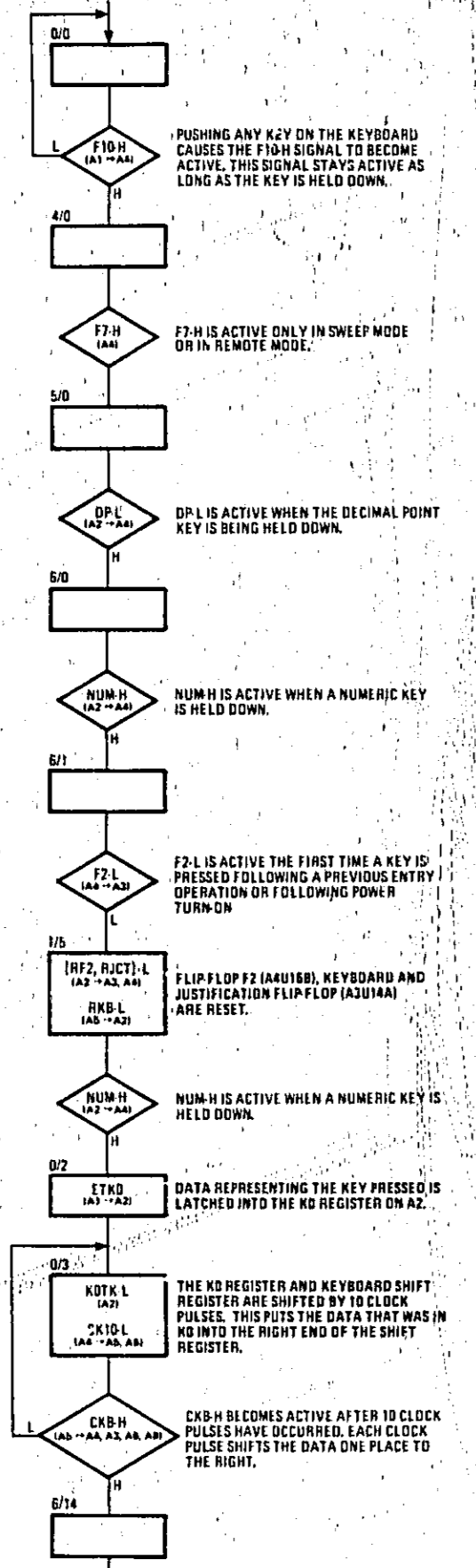


Figure 8-113. ASM Troubleshooting Flow Chart for Numeric Key Pressed

DECIMAL POINT KEY PRESSED DATA FLOW

The keyboard decodes the key pressed. When state 3/5 is reached, the justification flip-flop on A3 is set. This enables the justification counter on A3 to be clocked when numeric keys are pressed. Justification means shifting the data in the keyboard shift register so the decimal point is in the right place for the units selected. Justification takes place on the A3 Readout Control Assembly. The circuit description for this assembly in the 8660 manual contains a good description of the justification operation.

HOW TO USE

1. Turn the LINE switch to STBY and then ON to initialize instrument.
2. Press the "1" key and release.
3. Ground the DCU MAN TP momentarily.
4. Press the decimal point key and hold pressed in.
5. Single step the ASM using the MAN SW and check, using the troubleshooting flow chart.

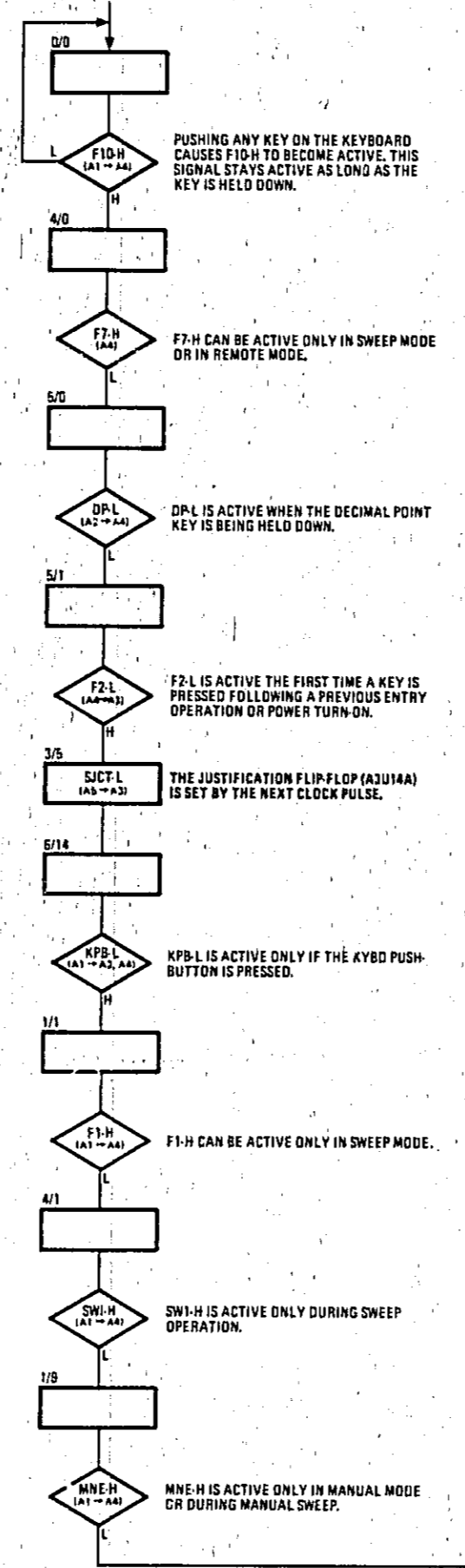


Figure 8-114. ASM Troubleshooting Flow Chart for Decimal Point Key Pressed

UNITS KEY PRESSED 0 DATA FLOW

When a units key (GHz, MHz, kHz, or Hz) is pressed, state 0/4 is reached and the K0 register is cleared. During state 1/6 the justification operation takes place. Justification means shifting the data in the keyboard shift register so the decimal point is in the right place for the units selected. Justification takes place on the A3 Readout Control Assembly. The circuit description for this assembly in the 8660 manual contains a good description of the justification operation. No other changes to the data occur and the ASM returns to state 0/0.

HOW TO USE

1. Turn the LINE switch to STBY and then to ON to initialize instrument.
2. Press the "1" key and release.
3. Ground the DCU MAN TP momentarily.
4. Press one of the UNITS key and hold pressed-in.
5. Single step the ASM using the MAN SW and check, using the troubleshooting flow chart.

Service

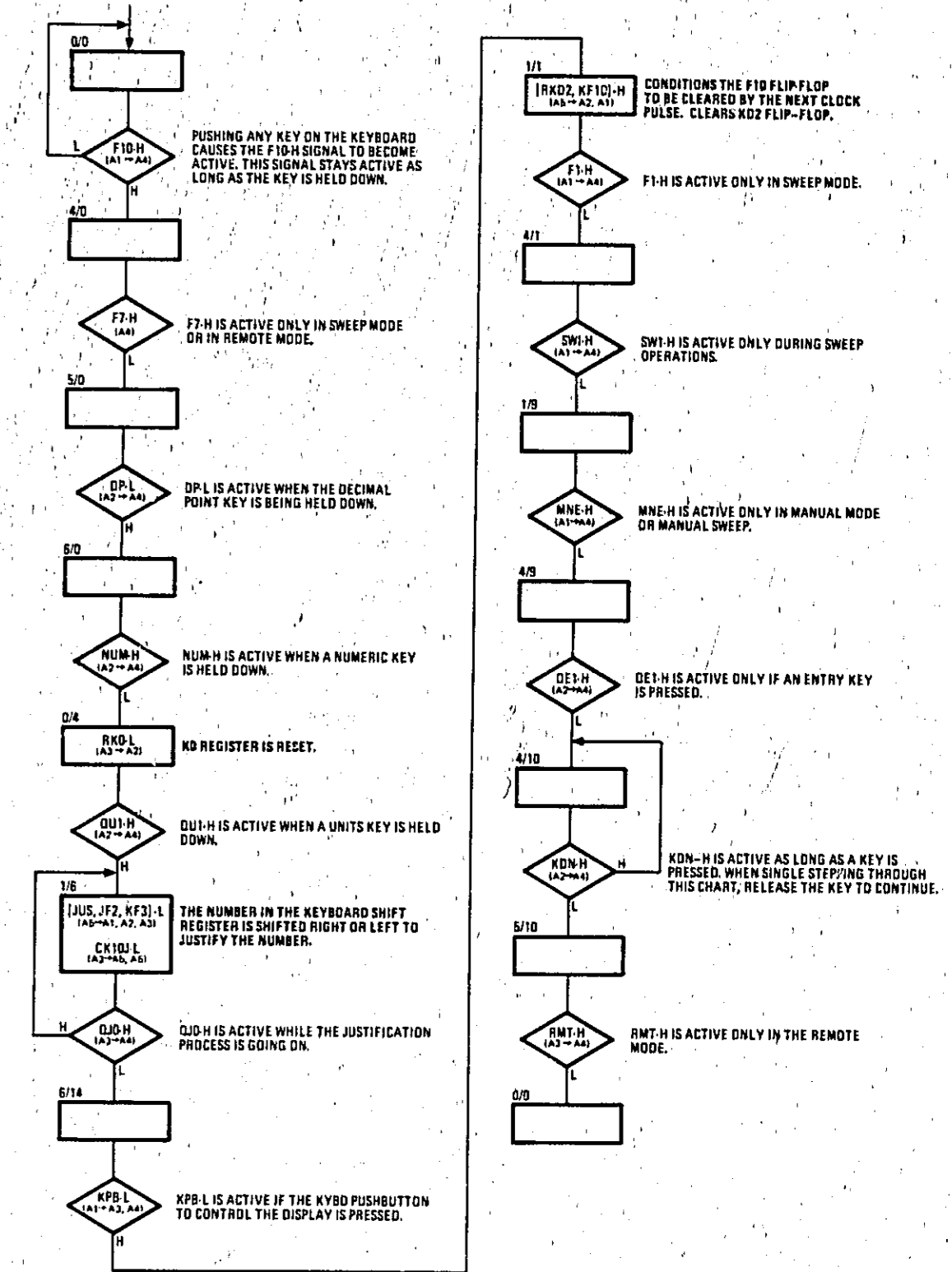


Figure 8-115. ASM Troubleshooting Flow Chart for Units Key Pressed

CF KEY PRESSED DATA FLOW

Center frequency data is first entered into the keyboard shift register by pushing numeric keys and a units key. This process is covered by other charts (Figures 8-113 and 8-115). After the CF key is pressed and during state 1/12 this data is transferred to the M register. Only the six most significant digits appear in the M register. At the end of this data transfer the keyboard shift register still contains the original data because every output digit is routed back to the input through MPXIII (I₁ input) and MPXII (I₂ input). The frequency limits decoder driven by the M register generates the QA-H signal. When the new center frequency is above the upper limit, QA-H becomes active and state 2/3 is entered. The old center frequency data is put in the M register during state 3/8. The new data is not used.

When the frequency is within limits, QA-H is not active and state 2/5 is reached during which data is transferred from the keyboard shift register to the CF, A, and Read Out register. As each digit is placed on the T bus it is clocked into each of these registers simultaneously. During state 3/7 data is transferred from the A register through the ALU to the Output register. The new data is sent to the loops after all 10 digits are in the A register.

HOW TO USE

1. Turn the LINE switch to STBY and then to ON to initialize instrument.
2. Press a series of one or more numeric keys followed by a units key.
3. Ground the DCU MAN TP momentarily.
4. Press the CF key and hold pressed in.
5. Single step the ASM using the MAN SW and check, using the troubleshooting flow chart.

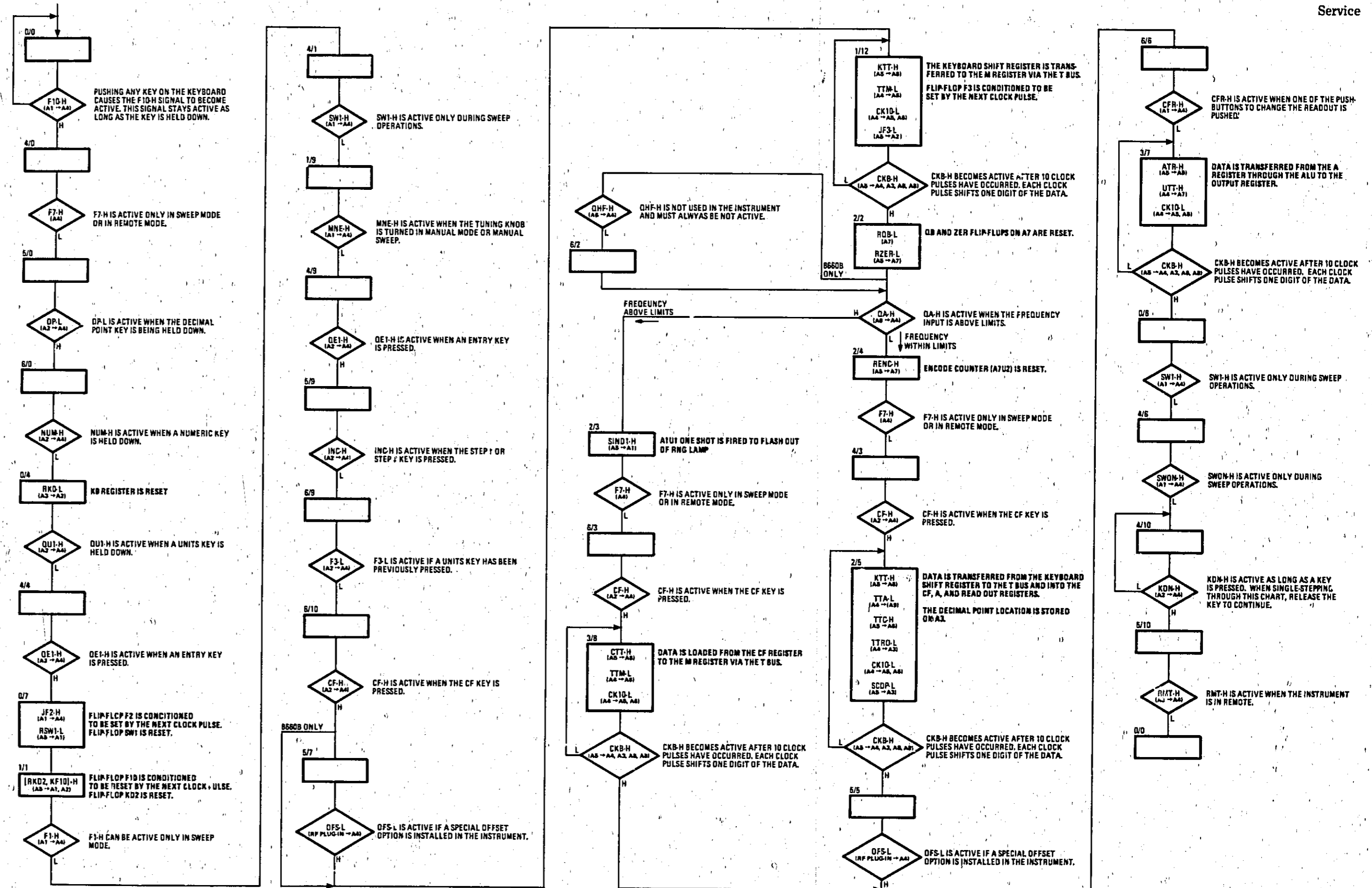


Figure 8-116. ASM Troubleshooting Flow Chart for CF Key Pressed

SWP WIDTH KEY PRESSED DATA FLOW

Sweep width data is first entered into the keyboard shift register by pushing numeric keys and a units key. This process is covered by other charts (Figures 8-113 and 8-115). After the SWP WIDTH key is pressed and during state 1/11 the data in the keyboard register is transferred to the Sweep Width Register. Center frequency is transferred during the remaining state sequence as explained on the flow chart.

HOW TO USE

1. Turn the LINE switch to STBY and then to ON to initialize the instrument.
2. Press a series of one or more numeric keys followed by a units key.
3. Ground the DCU MAN TP momentarily.
4. Press the SWP WIDTH key and hold pressed in.
5. Single step the ASM using the MAN SW and check, using the troubleshooting flow chart.

Service

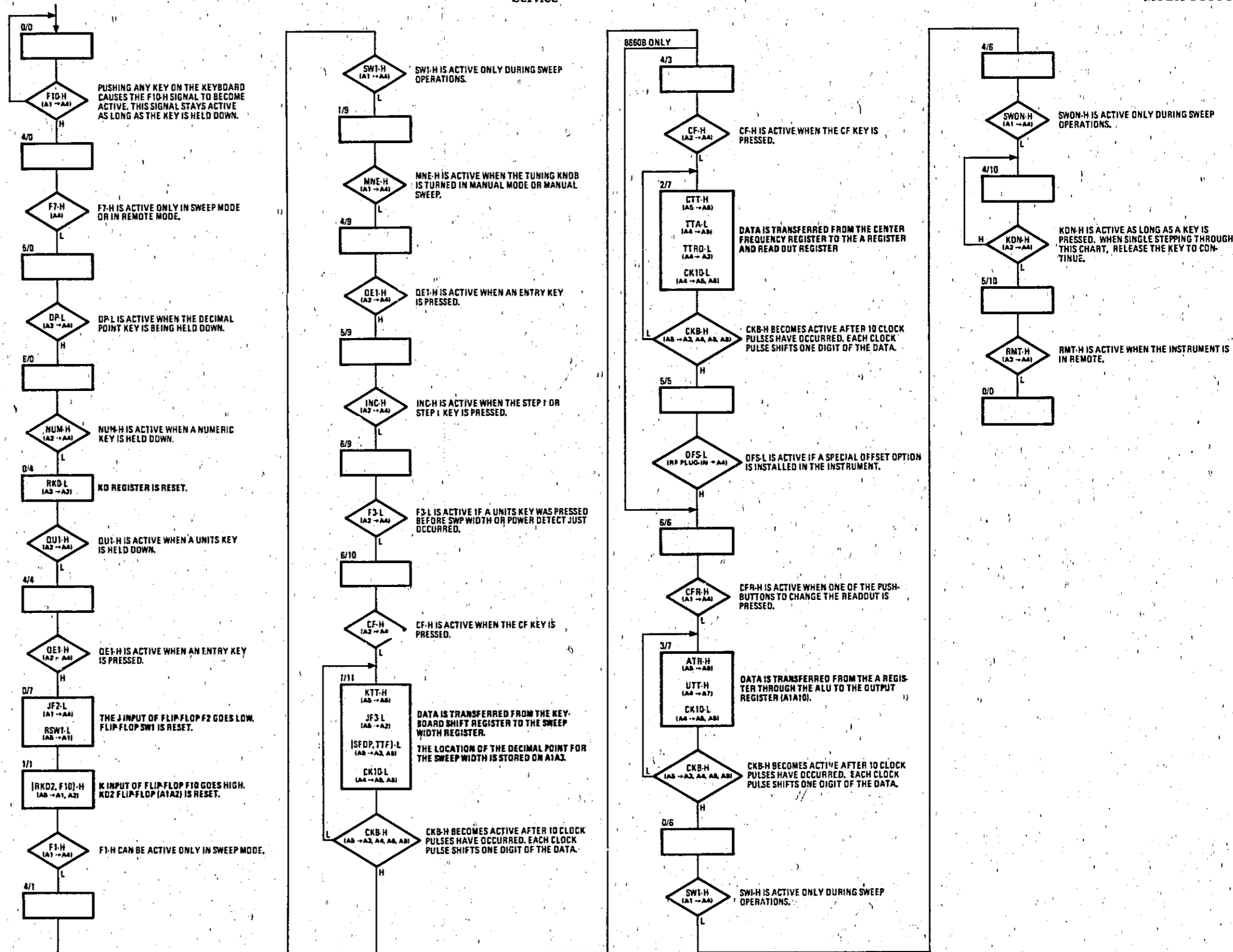


Figure 8-117. ASM Troubleshooting Flow Chart for SWP Width Key Pressed

STEP ↑ AND STEP ↓ KEY PRESSED DATA FLOW

If data was entered before the STEP key was pressed, state 1/13 is entered. During this state the data in the Keyboard Register is transferred to the Step Register. State 1/13 is bypassed if no data was entered. In this case the previously entered step size is used. State 5/13 is entered and the next state depends on whether STEP ↑ or STEP ↓ was selected. The step up operation will be described.

State 1/15 is entered and during this state the data from the Center Frequency (CF) Register and the Step Register is added in the ALU. The output of the ALU is the new center frequency data and it is entered into the M Register and the CF Register. If the new center frequency is within limits, state 2/7 is reached during which the data is transferred from the CF Register to the A Register and Read Out Register. If the new center frequency is not within limits, state 1/14 is entered and during this state the data in the Step Register is subtracted from the data in the CF Register and the result is entered in the CF Register and M Register. This subtraction returns the center frequency data to the value it had before the step was added and produced an out of limits value.

State 3/7 is reached and during this state data is transferred from the A Register through the ALU without modification to the Output Register. When all 10 digits are in the Output Register, the new data is sent to the mainframe loops.

HOW TO USE

1. Turn the LINE switch to STBY and then to ON to initialize the instrument.
2. Enter 50 MHz Center Frequency on the keyboard.
3. Press and release the "1" key and then the "MHz" key.
4. Ground the DCU MAN TP momentarily.
5. Press the STEP ↑ or STEP ↓ key and hold pressed in.
6. Single step the ASM using the MAN SW and check using the troubleshooting flow chart.

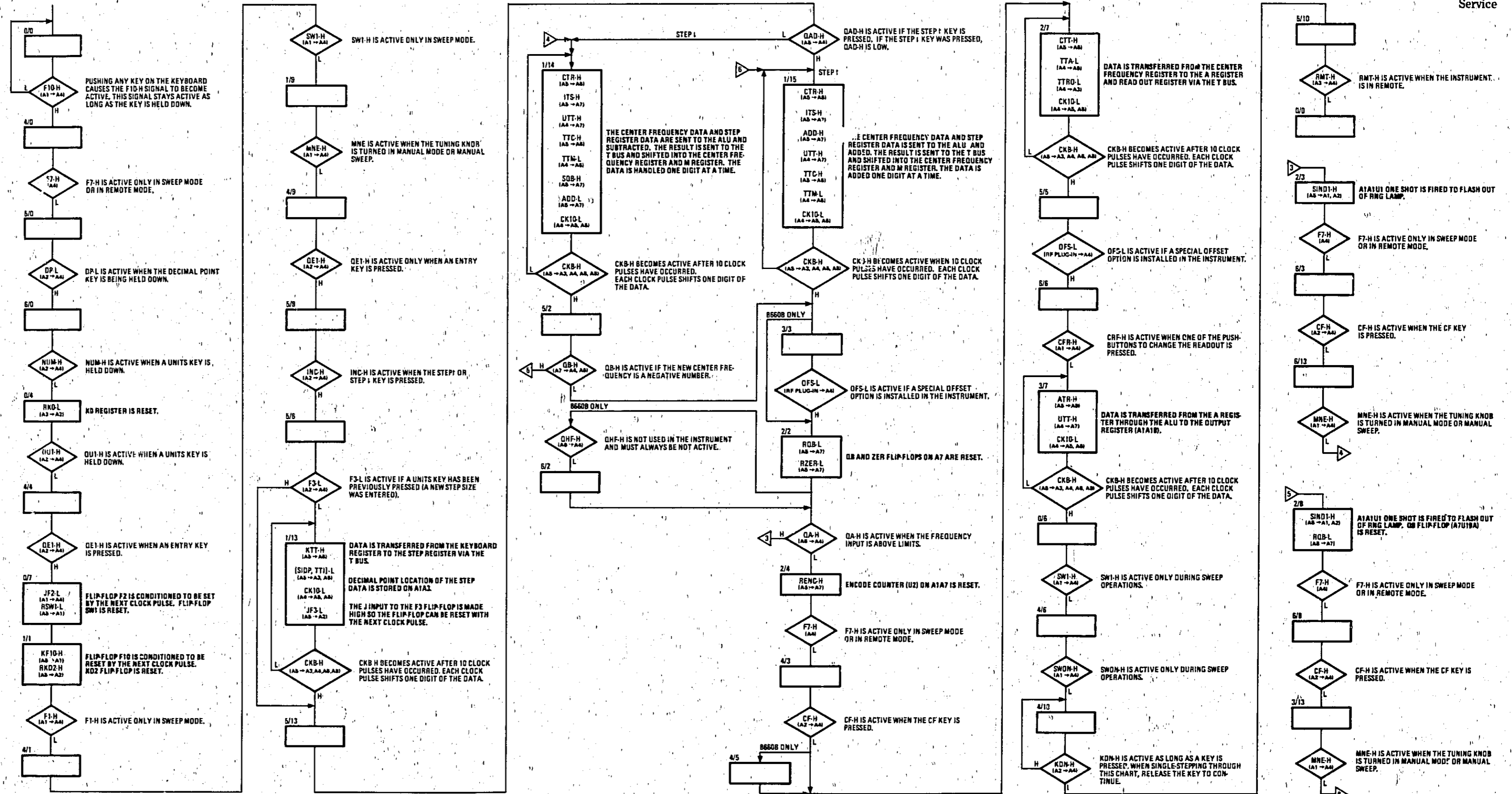


Figure 8-118. ASM Troubleshooting Flow Chart for STEP ↑ or STEP ↓ Key Pressed

AUTO SWEEP DATA FLOW

Turning the SWEEP MODE switch to AUTO causes the ASM to move to state 4/0 which begins the sequence. When state 0/13 is reached, 500 is loaded into the sweep counter on A8. At state 0/10 the state machine enters a wait loop. The QSP flip-flop which is checked in state 0/10 is set whenever it is time to step in frequency. After QSP-H becomes active, state 3/1 or 3/0 is reached during which the number in the A register is incremented by 1/100 or 1/1000 of the value in the Sweep Width Register. An explanation of how this is accomplished is contained in Service Sheet 32.

Something unique happens the first time through the flow chart. When state 4/11 is reached, F8-H is not yet active and the ASM goes to state 3/14. The ASM continues to loop between 3/14 and 4/11 until the sweep counter on A8 reaches a count of 1000 and QCTM-H becomes active. Each time through this loop the frequency in the A register is incremented, but this frequency data is never sent to the Output Register. When the sweep counter reaches maximum, the A Register also contains the upper frequency in the sweep range. In this condition when state 5/11 is reached, the ASM goes to state 6/11 and then to state 2/15 during which the Sweep Width Register is subtracted from the A Register and F8-H is made active. The result which is the lowest frequency in the sweep range is placed in the A Register. The ASM then goes to state 2/2 and when state 4/11 is reached, F8-H is active so state 0/9 is entered during which the data in the A Register is transferred to the Output Register thus changing the output frequency.

The ASM now goes into a loop between states 3/14 and 0/9. Each time through the loop the A Register is incremented and then the new value is transferred to the Output Register. After 1000 times (100 times in FAST RATE) through the loop the output frequency is at the upper limit of the sweep range, and QCTM-H becomes active again. The ASM then enters state 6/11 where the Sweep Width Register is subtracted from the A Register and the sweep counter is reset. The loop between states 3/14 and 0/9 is entered again. This sequence continues as long as the SWEEP MODE is set to AUTO.

HOW TO USE

1. Turn the LINE switch to STBY and then to ON to initialize the instrument.
2. Enter 50 MHz Center Frequency from the keyboard.
3. Enter 1 MHz Sweep Width from the keyboard.
4. Ground the DCU MAN TP momentarily.
5. Turn the SWEEP MODE to AUTO and the RATE to MED.
6. Single step the ASM using the MAN SW and check, using the troubleshooting flow chart. The ASM enters a loop between states 3/14 and 4/11 which it passes through 500 times. (50 times with SWEEP MODE in FAST). This makes single stepping unusable for this part of the flow chart. There are two things which can be done:
 - (1) Use a logic analyzer.
 - (2) Put the DCU in AUTO by momentarily grounding the AUTO TP. Then a few seconds later return the DCU to manual. The ASM should now be in the loop between states 3/14 and 0/9 and you can check this loop. It's very difficult to manually check that part of the sequence where the Sweep Width Register is subtracted from the A Register since this only happens once for every 1000 times through the loop.

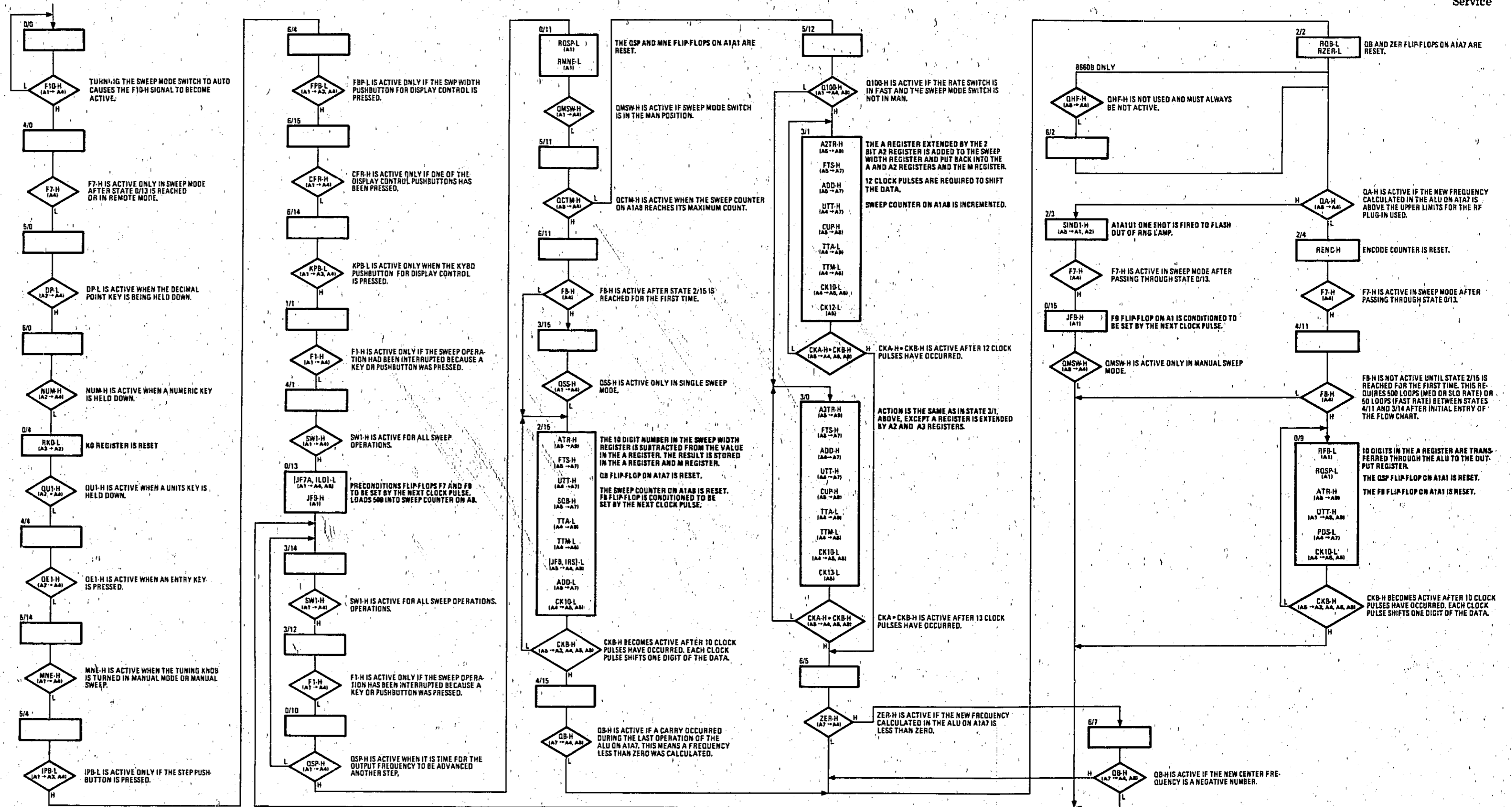


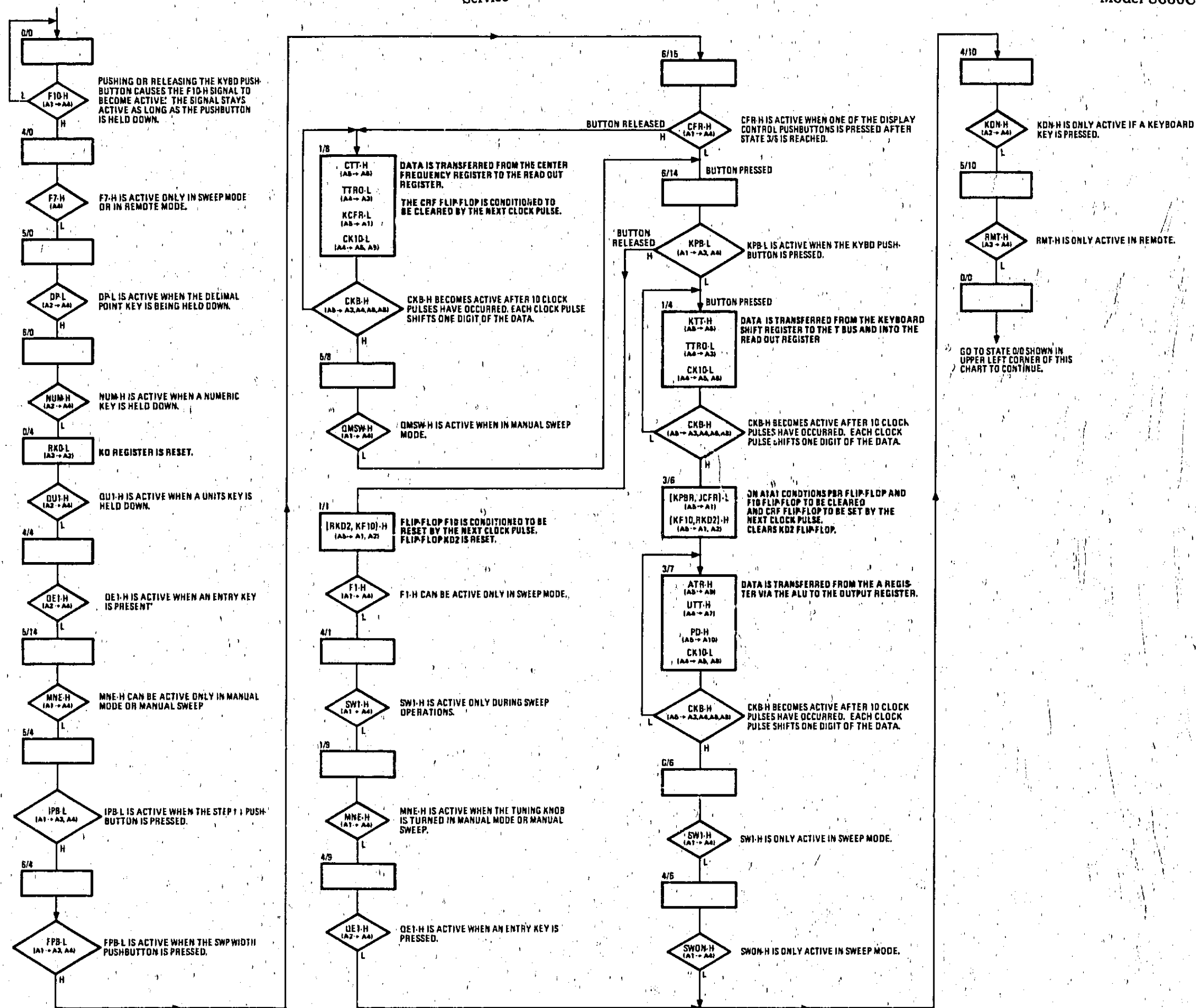
Figure 8-120. ASM Troubleshooting Flow Chart for Auto Sweep

KYBD PUSHBUTTON PRESSED DATA FLOW

When the KYBD pushbutton is pressed, state 4/0 is entered. When state 1/4 is reached, the data on the Keyboard Shift Register is transferred via the T bus to the Read Out Register. The ASM goes to state 0/0 where it remains until the KYBD pushbutton is released. Releasing the pushbutton allows the ASM to leave state 0/0 and continue to state 1/8 during which the data in the Center Frequency Register is transferred to the Read Out Register.

HOW TO USE

1. Turn the LINE switch to STBY and then to ON to initialize the instrument.
2. Press a series of numeric keys followed by a units key. This places an entry in the keyboard register.
3. Ground the DCU MAN TP momentarily.
4. Press the KYBD button and hold pressed in.
5. Single step the ASM using the MAN SW and check, using the troubleshooting flow chart. When state 0/0 is reached, release the KYBD button and continue single stepping.



POWER-ON INITIALIZATION DATA FLOW

When the power detect signal from the A3A1 assembly goes high, the ASM begins the power-on sequence. During state 1/6 MHz is stored as the units for the data. When state 2/1 is reached, the CF Register (which was cleared by the power detect signal) is added to 1 MHz from ROM #4 on the ALU board and the result stored in the CF and M Registers. During state 2/7 the data in the CF Register is transferred to the Read Out and A Registers. Then when state 3/7 is reached, data is transferred from the A Register to the Output Register.

HOW TO USE

1. Turn the LINE switch to STBY.
2. Connect a test lead from ground to the DCU MAN TP.
3. Turn the LINE switch to ON.
4. Single step the ASM using the MAN SW and check, using the troubleshooting flow chart.

HOW TO USE

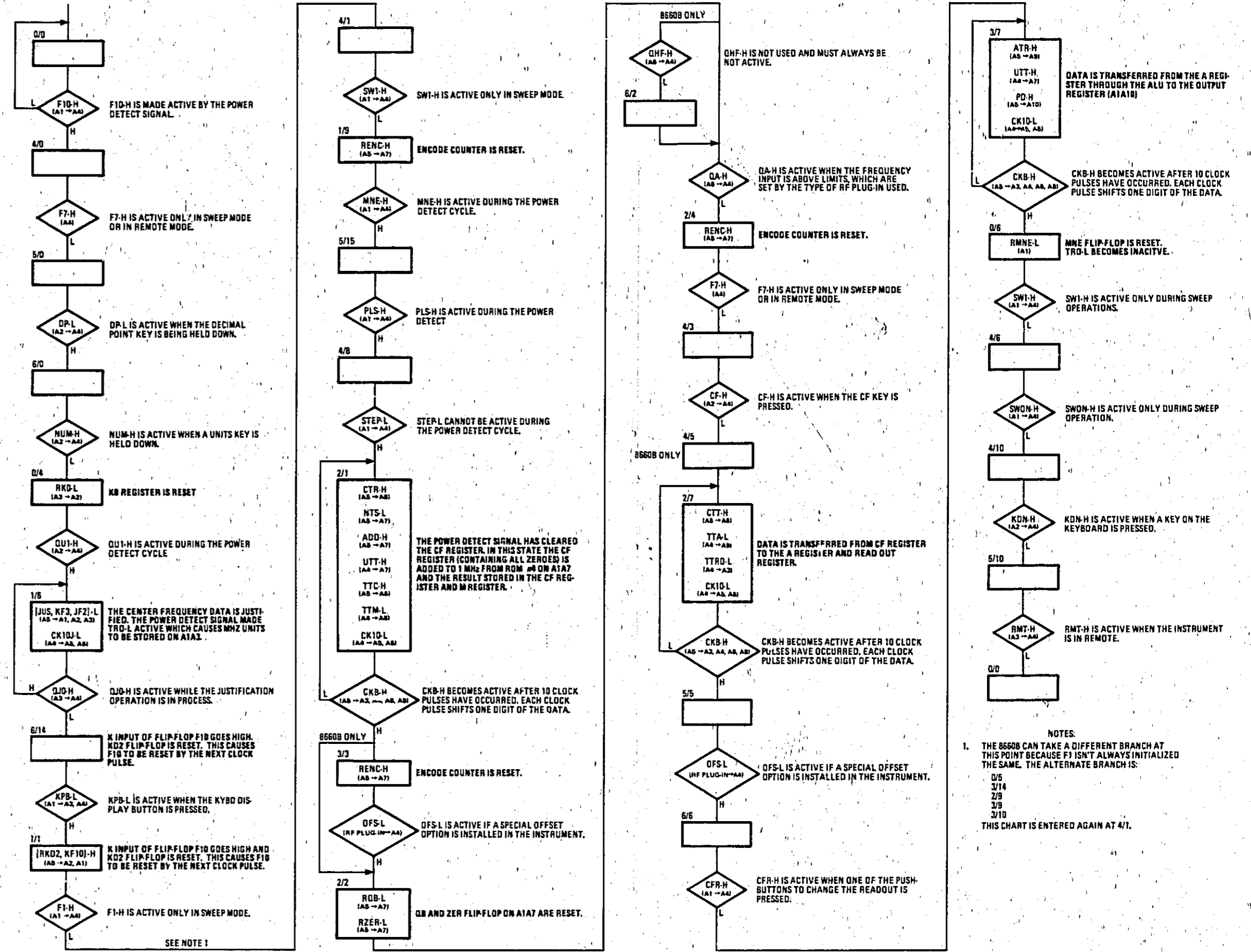


Figure 8-122. ASM Troubleshooting Flow Chart for Power-On Initialization

Table 8-57. Low Frequency Adjustment Identification

A8 (N3)	R24, R26	Frequency Range Adjustment Pots
A11 (SL2) Osc.	R15, R19 R39, 54, 60, 67, 73, 77, 83, 90 C17	Frequency Range Adjustment Pots Oscillator Pretune Pots 30 MHz Oscillator Trimmer Adjustment
A12 (SL2 Det)	R37	Phase Error Adjustment Pot
A13 (N2 Osc)	R37, R39 C19	Frequency Range Adjustment Pots 29.79 MHz Oscillator Trimmer Adjustment
A15 (SL1) Phase Det	R14	Phase Error Adjustment Pot
A16 (N1 Det)	R38	Phase Error Adjustment Pot
A17 (N1 Osc)	R24, R31 C17	Frequency Range Adjustment Pots 29.7 MHz Oscillator Trimmer Adjustment
A18 (SL1 Mixer)	R35, 40, 44, 51, 55, 62, 68, 74	Oscillator Pretune Pots
A19 (SL1 Osc)	R3, R9 C18	Frequency Range Adjustment Pots 30 MHz Oscillator Trimmer Adjustment

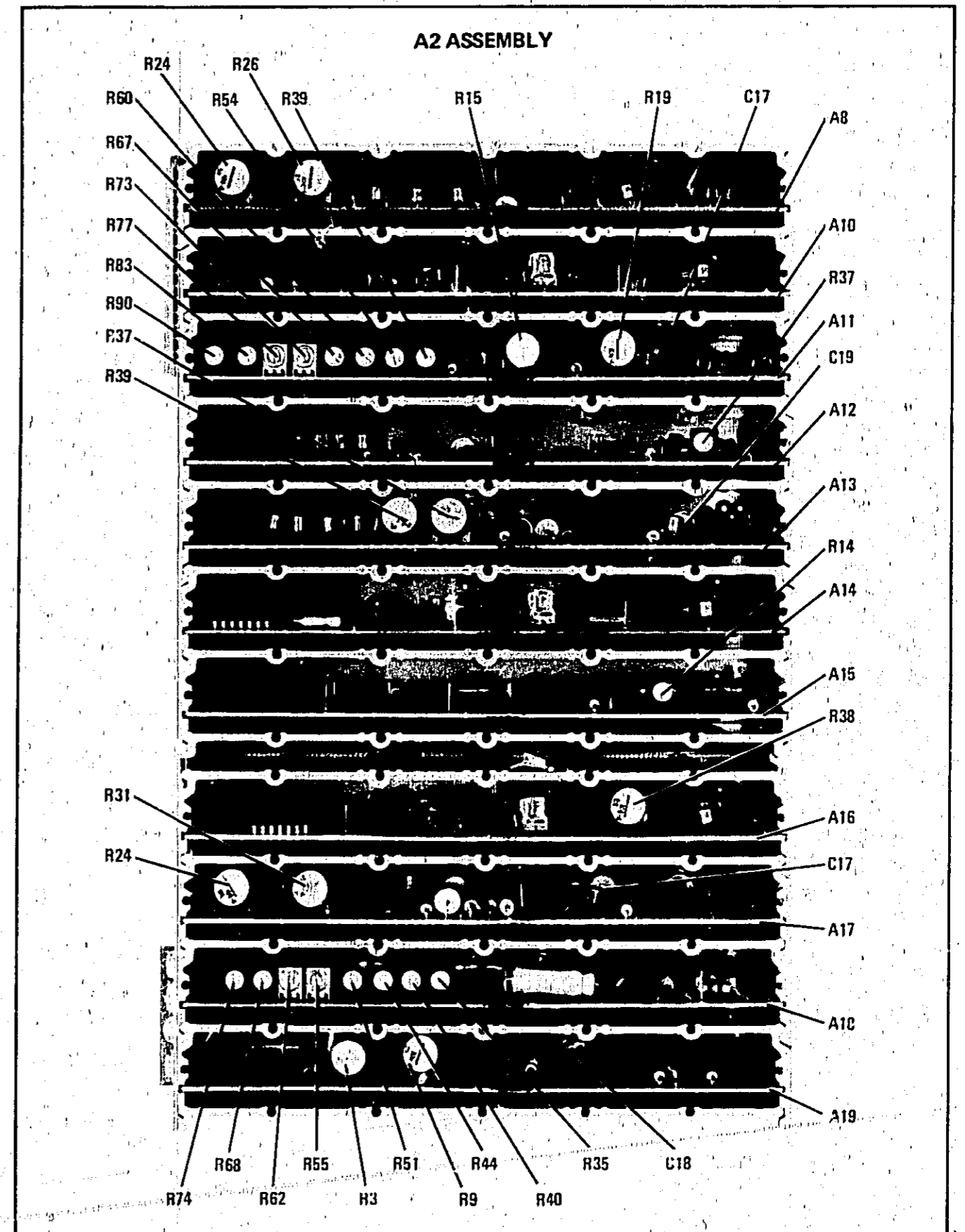


Figure 8-123. LF Loops Adjustment Locations

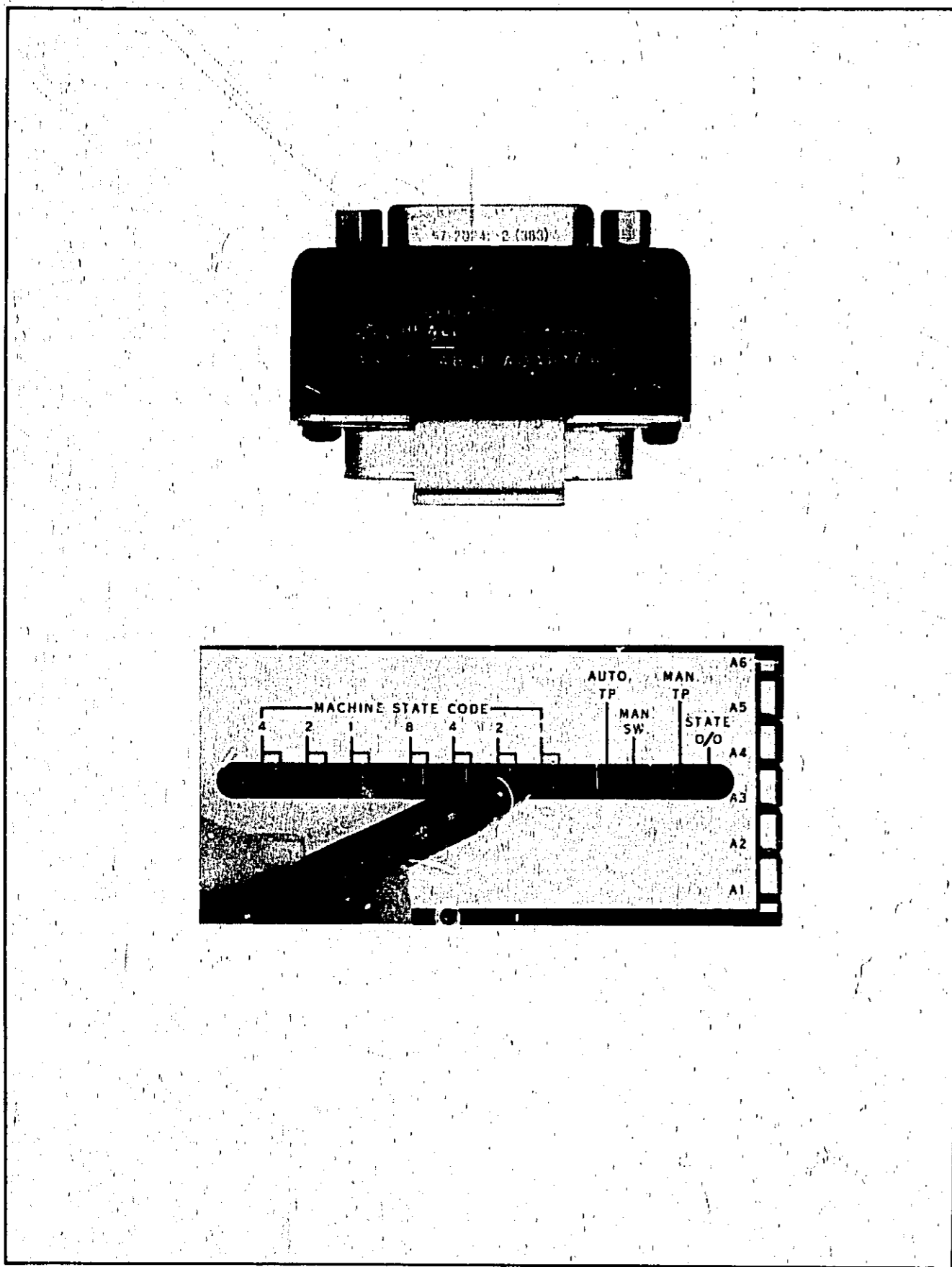


Figure 8-124. HP-IB Adapter and Self Test Features

Table 8-58. High Frequency Loop Adjustment Identification

A4A5 (H.F. Osc.)	C3	→	350 - 450 MHz Oscillator Adjustment
A4A6 (H.F. Pretune)	R2	→	Loop Gain Adjustment
	R13	→	"0" (Zero) Adjustment
	R20	→	Profile Pot
	C5	→	10 MHz Trap Adjustment
A4A7 (Phase Det.)	R15, 22, 28, 35, 40, 44, 48, 52, 56, 60	→	Oscillator Pretune Pots
	R18	→	Efficiency Adjustment
	R22	→	Balance Adjustment

Table 8-59. Reference Loop Adjustment Identification

A4A4 (Ref Loop VCO)	C2	→	100 MHz Oscillator Adjustment
	C41	→	100 MHz Power Level Adjustment
	C17, C23, C31	→	500 MHz Power Level Adjustment

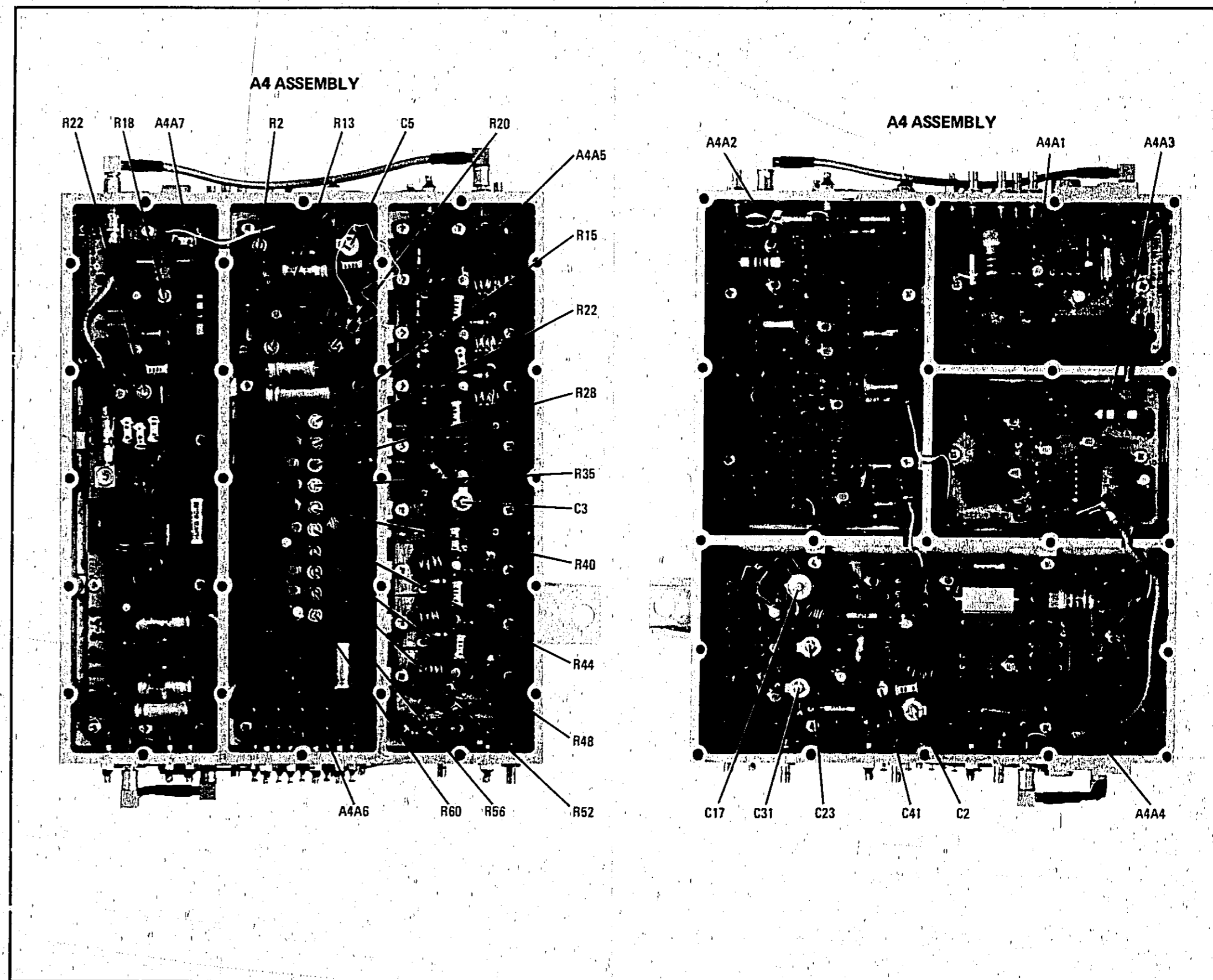


Figure 8-125. HF Loop and Reference Loop Adjustment Locations

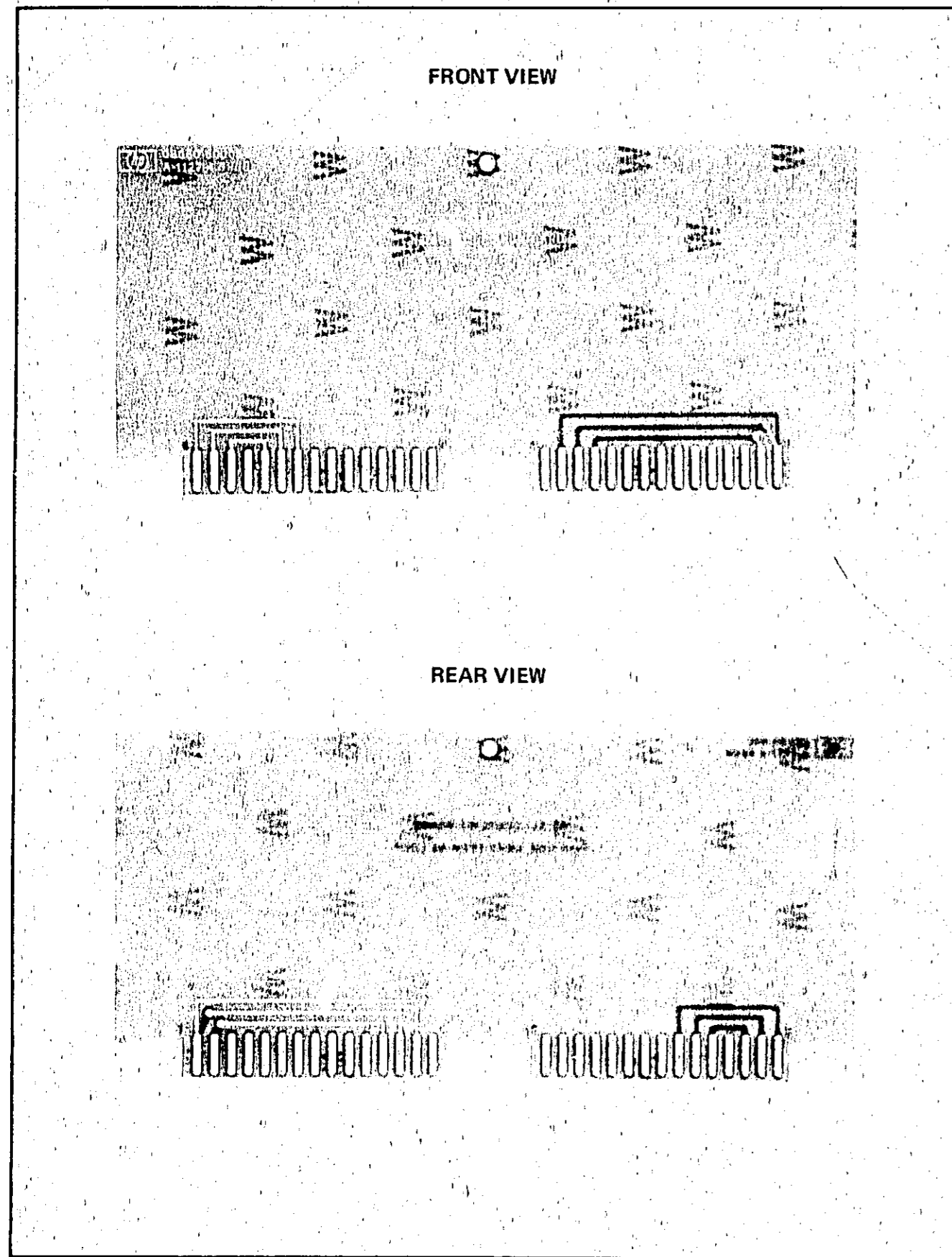


Figure 8-126. Interconnection Assembly (Opt, 004)

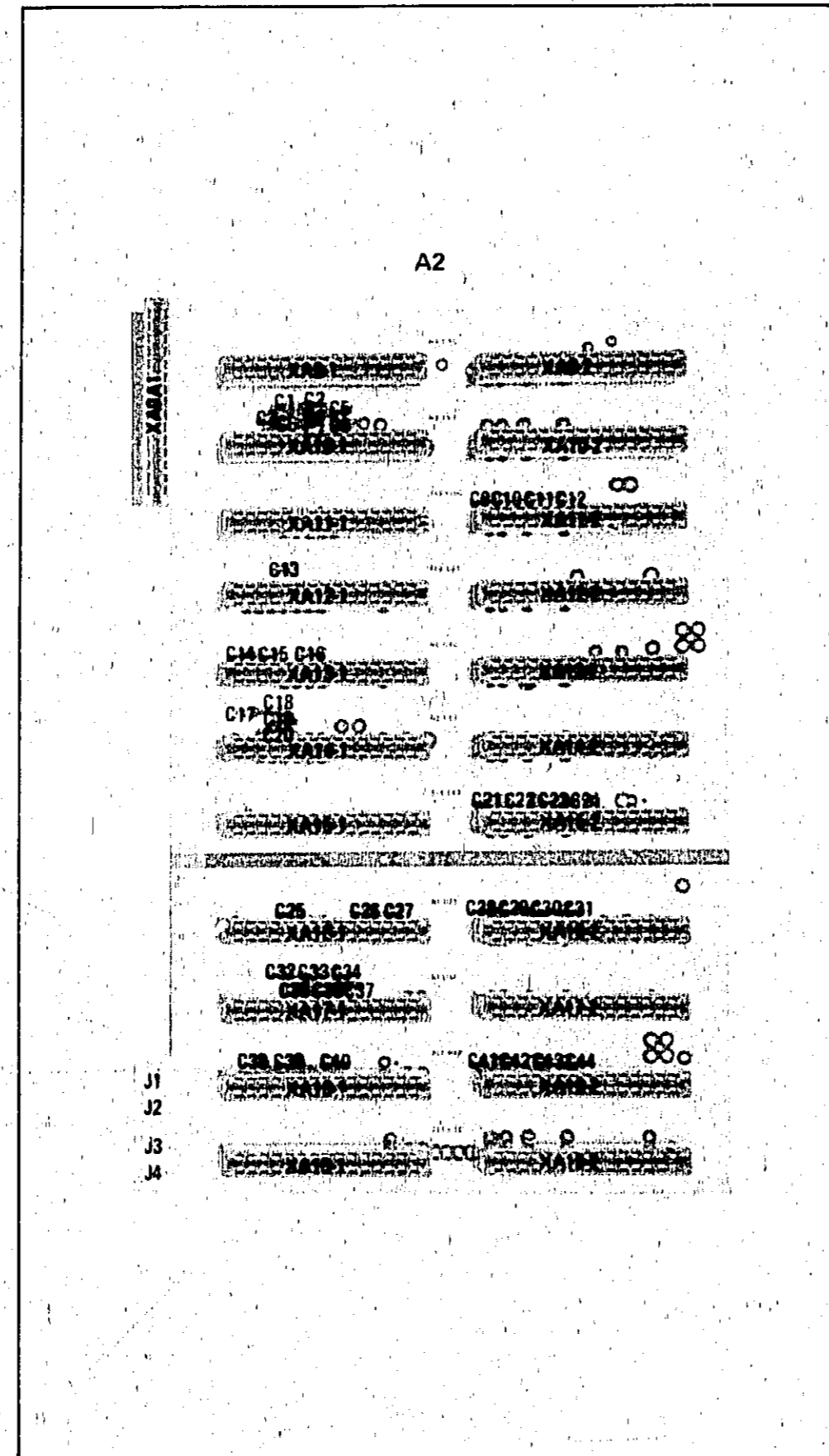


Figure 8-127. A2 Mother Board Component Locations

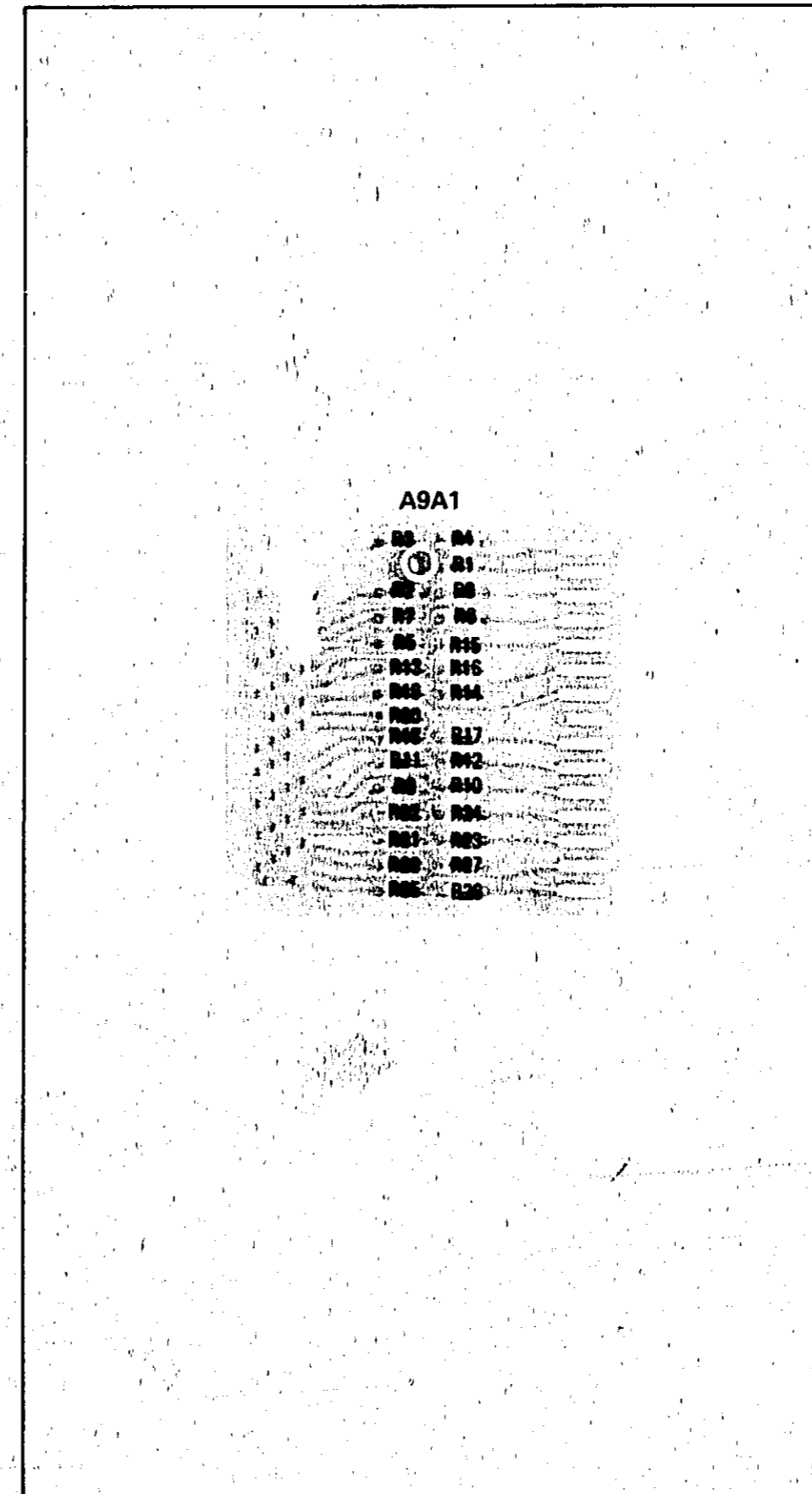


Figure 8-128. A9A1 Cable Loop Assembly

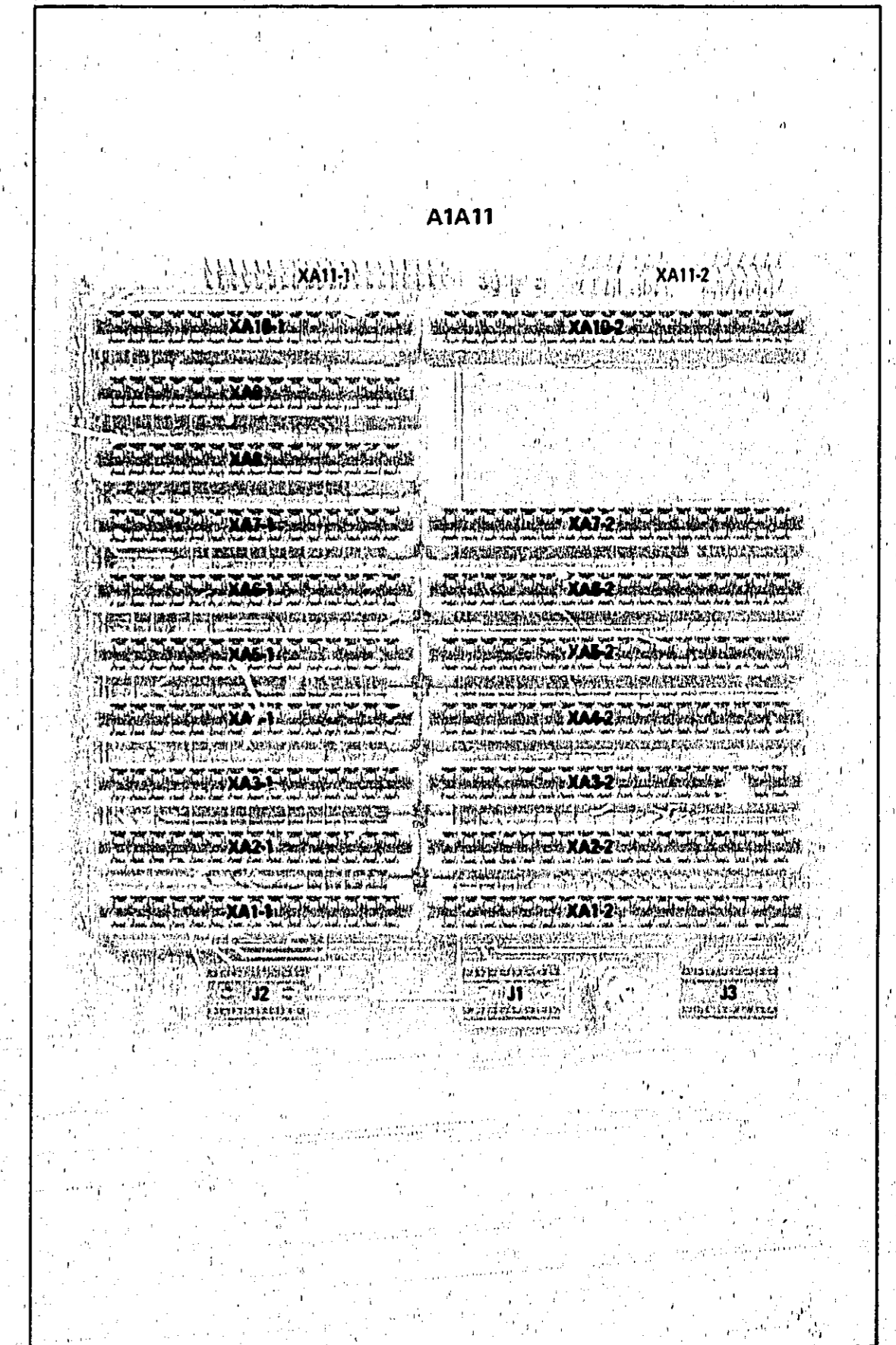


Figure 8-129. A1A11 DCU Mother Board Component Locations

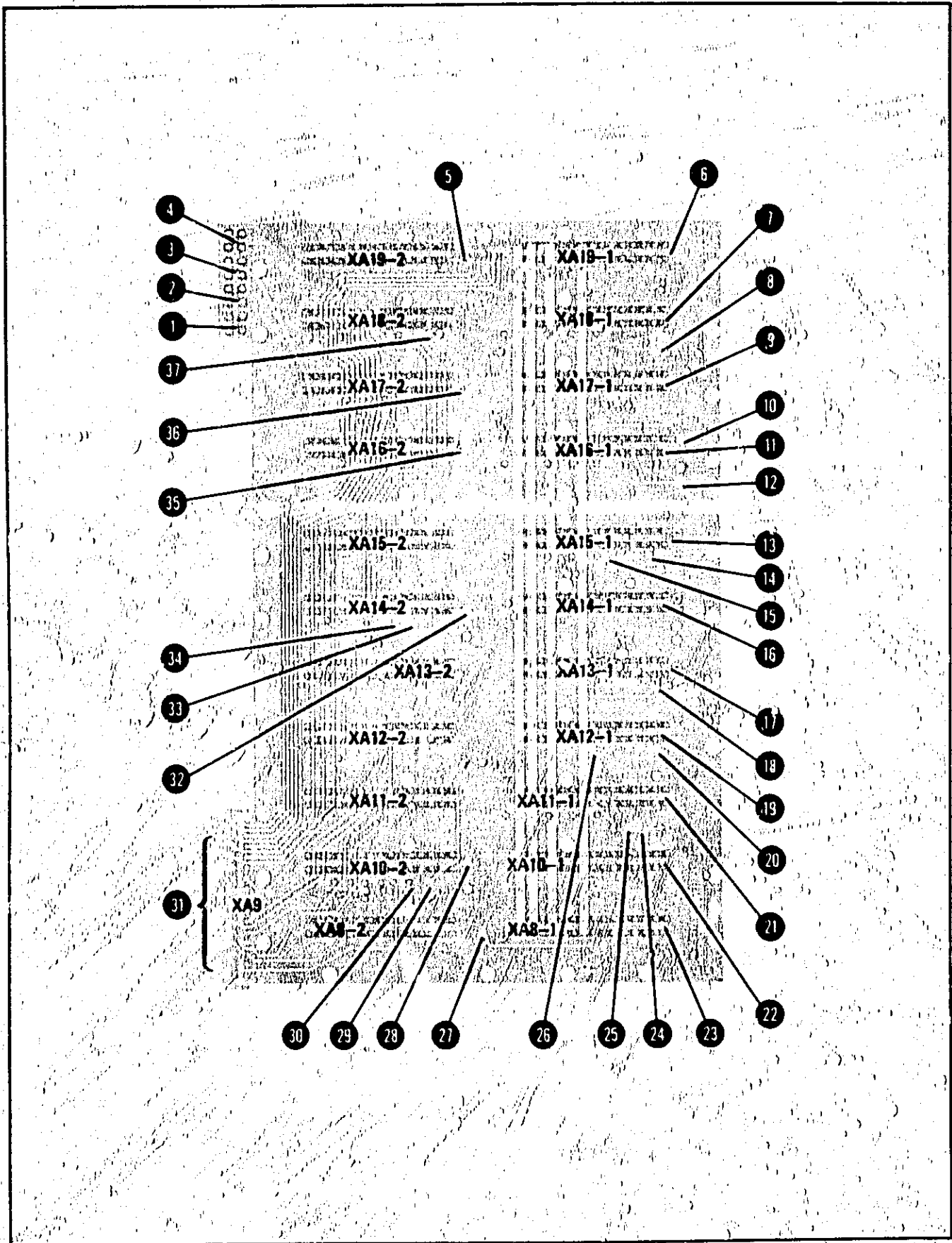


Figure 8-130. Mainframe Mother Board Test Points (1 of 2)

Test Points	Assemblies	Mother Board Inputs and Outputs
27 TP1 N3 Oscillator	9 N1 Oscillator (A17)	1 100 kHz Reference Input to N2
30 TP2 N3 10 kHz	11 N1 Phase Detector (A16)	2 100 kHz Reference Input to N3
29 TP3 N3 Phase Error	17 N2 Oscillator (A13)	3 400 kHz Reference Input to N1
28 TP4 N3 Phase Error Grounding	16 N2 Phase Detector (A14)	4 SL1 Output
24 TP5 SL2 Tuning	23 N3 Oscillator (A5)	31 BCD Frequency Data Digits 1 through 7
25 TP6 SL2 Oscillator	22 N3 Phase Detector (A10)	
26 TP7 SL2 Pulse Phase Error	21 SL2 Oscillator (A11)	
20 TP8 SL2 Phase Error	19 SL2 Phase Detector (A12)	
18 TP9 N2 Oscillator	6 SL1 Oscillator (A19)	
33 TP10 N2 Phase Error	8 SL1 Phase Detector (A15)	
34 TP11 N2 10 kHz	13 SL1 Mixer (A18)	
32 TP12 N2 Phase Error Grounding		
15 TP13 SL1 Pulse Phase Error		
14 TP14 SL1 Phase Error		
35 TP15 N1 100 kHz		
10 TP16 N1 Phase Error Grounding		
12 TP17 N1 Phase Error		
30 TP18 N1 Oscillator		
37 TP19 SL1 Mixer Output		
TP20 Not Connected		
5 TP21 SL1 Driver		
8 TP22 SL1 Oscillator		

Figure 8-130. Mainframe Mother Board Test Points (2 of 2)

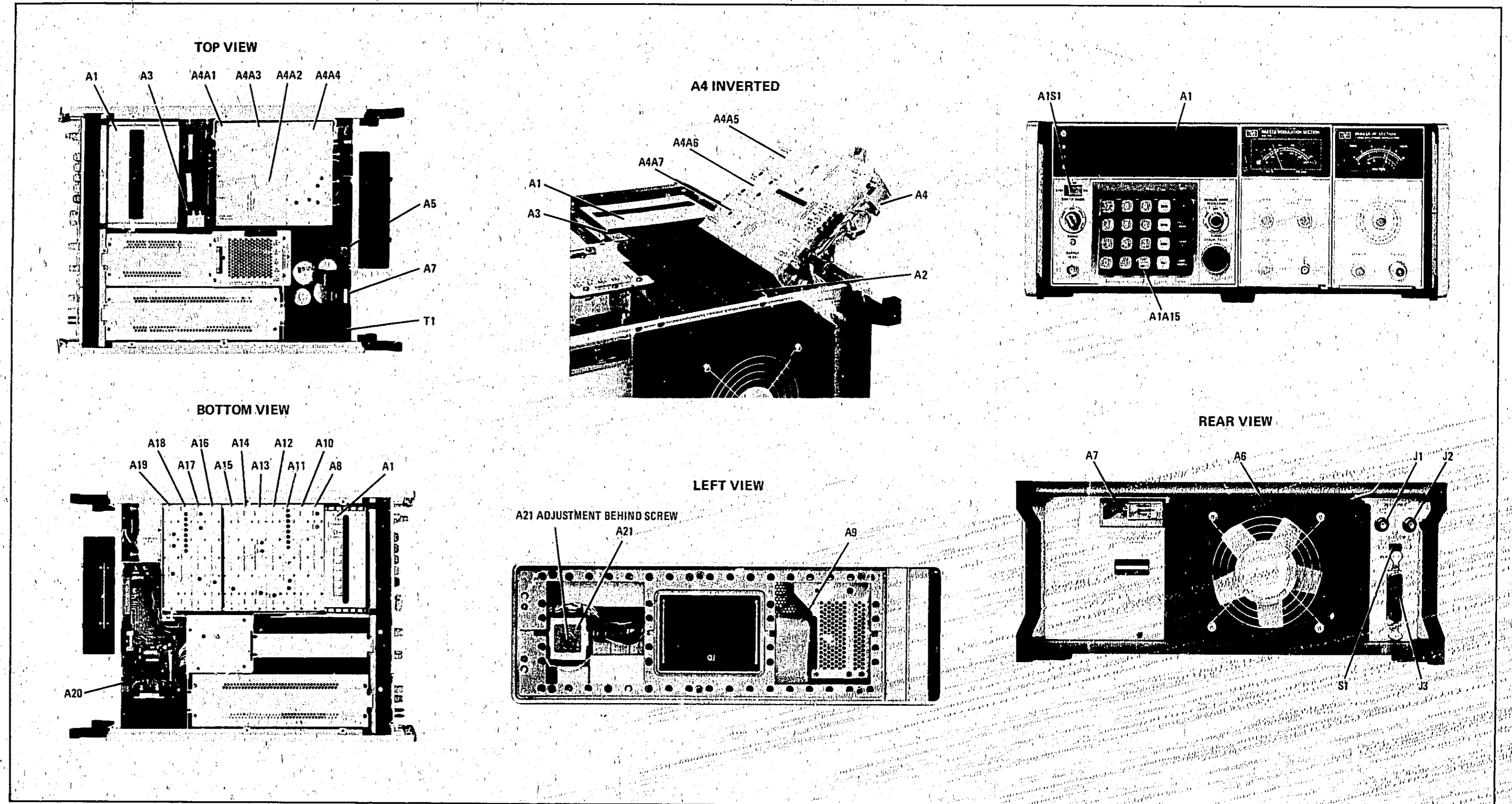
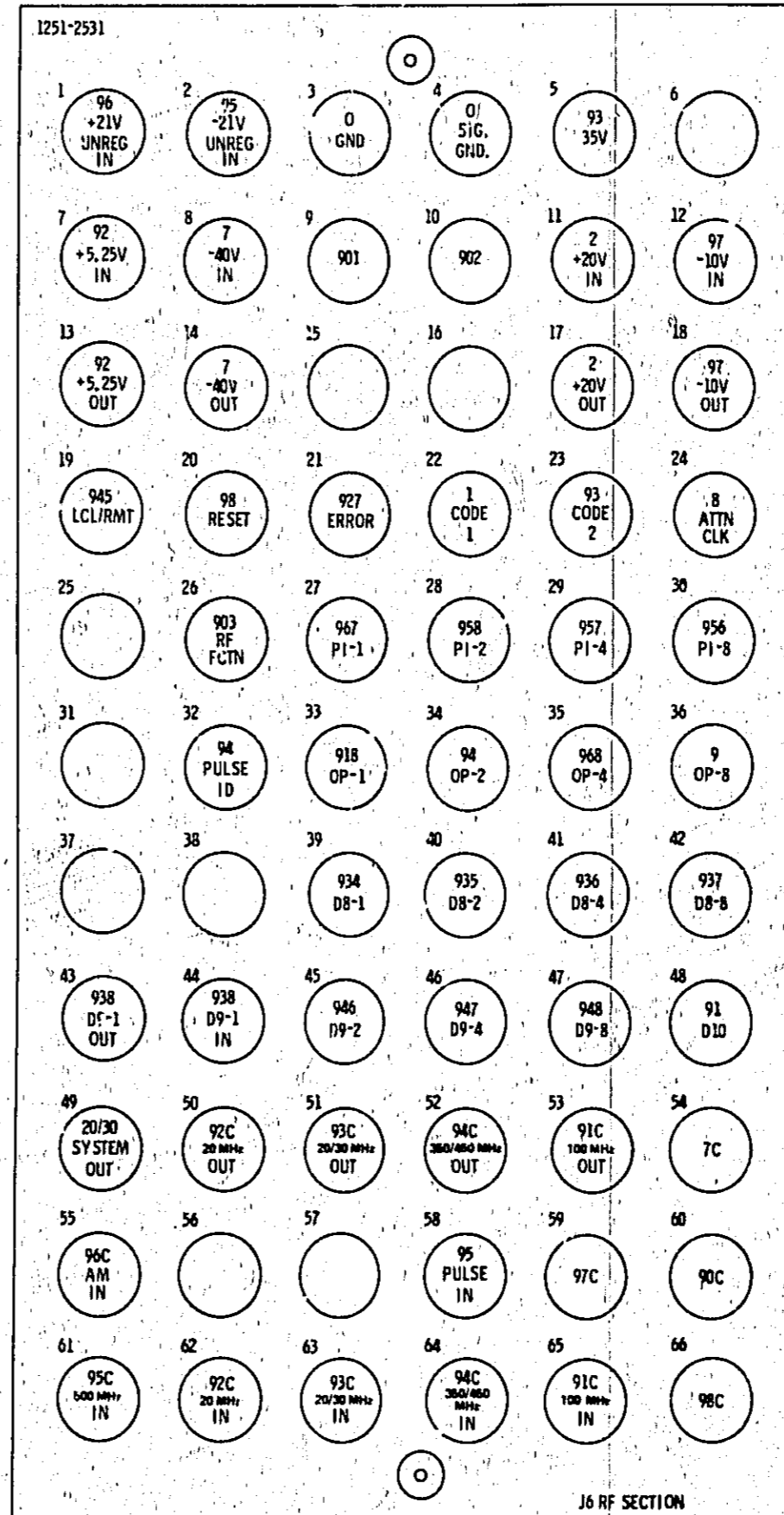
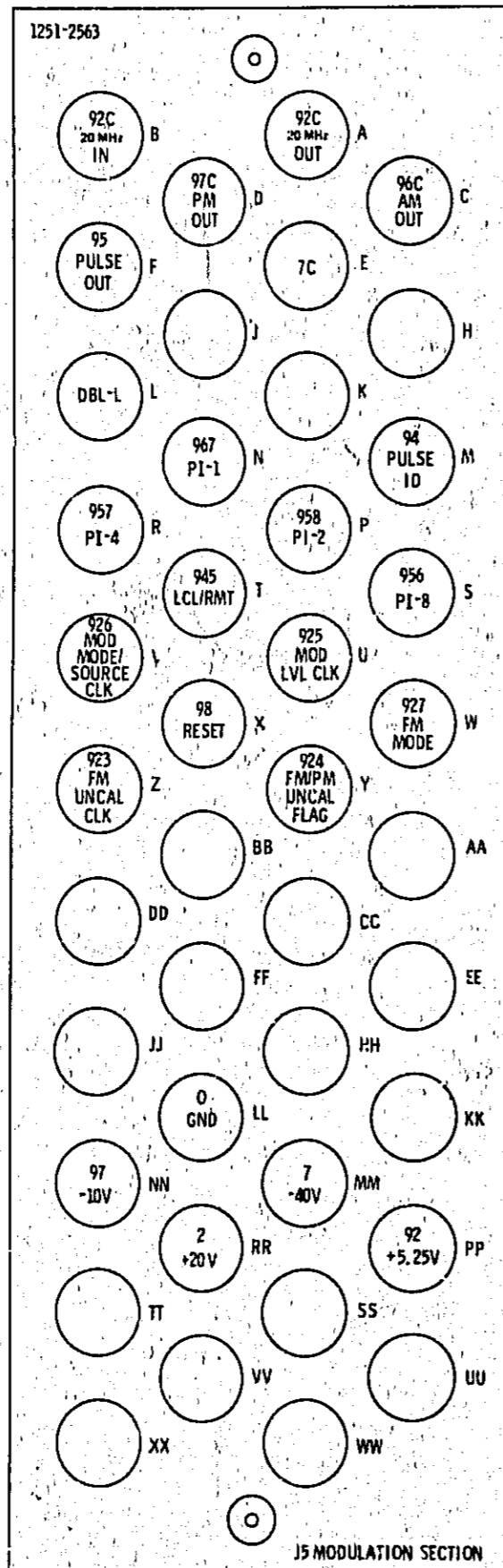
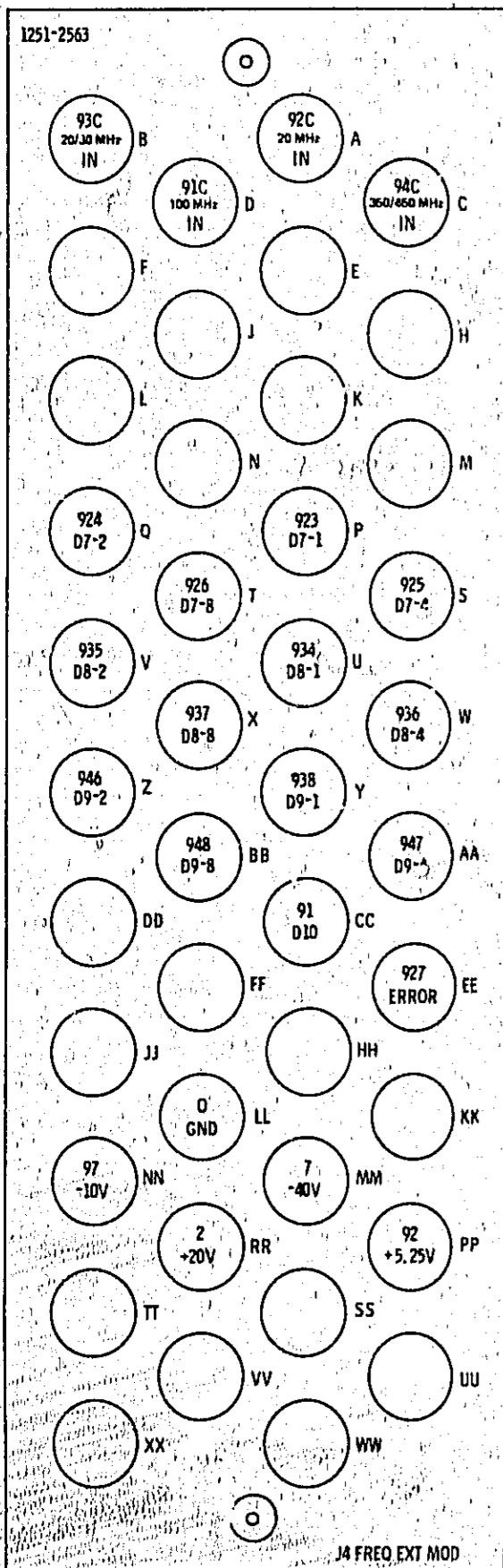


Figure 8-131. Model 8660C Internal Views



- NOTES:
- PART NUMBERS SHOWN FOR CONNECTORS DO NOT INCLUDE PINS.
 - COAX PINS ARE HP PART NUMBER 1251-2041 REGULAR PINS ARE HP PART NUMBER 1251-1908
 - A TOOL KIT, WINCHESTER CATALOG NUMBER 107K41 IS REQUIRED TO INSTALL THE REGULAR PINS.
 - A TOOL KIT, WINCHESTER CATALOG NUMBER 107-0600 AND A TOOL LOCATOR WINCHESTER CATALOG NUMBER 107-0602 IS REQUIRED TO INSTALL COAX PINS.

Figure 8-132. Plug-In Connectors Detail

MANUAL CHANGES

MANUAL CHANGES

SYNTHESIZED SIGNAL GENERATOR

MANUAL IDENTIFICATION

Model Number: 8660C
Date Printed: Jan. 1981
Part Number: 08660-90090

This supplement contains important information for correcting manual errors and for adapting the manual to instruments containing improvements made after printing the manual.

To use this supplement, first, make all ERRATA corrections and then all appropriate serial number related changes indicated in the tables below.

SERIAL PREFIX OR NUMBER	MAKE MANUAL CHANGES	SERIAL PREFIX OR NUMBER	MAKE MANUAL CHANGES
2120A	1		
2121A	1-2		
2142A	1-3		
2242A	1-4		
2252A	1-5		
2310A	1-6		
2323A	1-7		
2336A	1-8		
2346A	1-9		
2406A	1-10		
2423A	1-11		
2424A	1-12		
2437A	1-13		
2446A	1-14		
>> 2503A	1-15		

>> NEW ITEM

NOTE:

Manual change supplements are revised as often as necessary to keep manuals as current and accurate as possible. Hewlett-Packard recommends that you periodically request the latest edition of this supplement. Free copies are available from all HP offices. When requesting copies, quote the manual identification information from your supplement or the model number and print date from the title page of the manual.

Printed in U.S.A.

11 February 1985
13 Pages Text
12 Pages Illustrations
6 Foldouts



ERRATA

Page vi, Illustrations:

Change title of Figure 8-108 to:
A1A13 Annunciator Assembly and Schematic.

Page 1-3, Table 1-1:

Power: Change first line to read, ". . . 48 to 66 Hz."

Page 1-3, paragraph 1-13:

Add the following note after the paragraph:

NOTE

If this instrument is not shipped from the factory as part of a complete signal generator system (mainframe, modulation section, and RF section), it may be necessary to perform the adjustments in Section V before all performance specifications will be met.

Page 1-6, Table 1-2:

Change Cable 11672-60001, Minimum Specifications to:
Cable: Extender, 66 pin, gray.

Page 2-1, Paragraph 2-9:

Add the following as paragraph 2-9A:

2-9A. Two fuses are supplied with each instrument. One of the fuses will have the proper rating for 100/120 Vac line (mains) operation; the other fuse will have the proper rating for 220/240 Vac line (mains) operation.

One fuse will be installed in the instrument at the time of shipment. The rating of the installed fuse will be determined according to the line voltage specified by the customer. If the voltage is not specified, the rating of the installed fuse will be selected according to the country of destination.

Page 2-2, Figure 2-1:

Delete the line "PC BOARD, HP 5020-8157". This part is not separately replaceable.

Page 3-3, Figure 3-1:

Add the partial figure from this supplement to Figure 3-1.

Change the description of item 6 ANNUNCIATOR as follows:

REMOTE: when lit, indicates the Synthesizer is set to Remote operation by a BCD controller or by an HP-IB controller (Opt. 005).

SWEEP: when lit, indicates Synthesizer is set to sweep mode and is in Local operation. Sweep mode is not available in Remote operation.

OUT OF RNG: flashes once, indicating an out of range frequency has been selected, either in Local or Remote operation.

OVEN: when lit, indicates that A21 Reference Oscillator oven is not up to operating temperature.

FM MODE: when lit, indicates that the FM Mode has been selected by the Modulation Section plug-in.

ERRATA (cont'd)

Page 5-2, Table 5-1:

Add the entries to Table 5-1 from the table in this supplement.

Page 5-15, Paragraph 5-30 (PROCEDURE):

Change step 1b as follows:

Remove the cover from the A4A6 Assembly. Connect the Spectrum Analyzer RF INPUT to the 9 wire at the 0 test point on the A4A6 Assembly. Set the analyzer controls as follows:

Page 6-6, Table 6-3:

Change A1A1U13 and U19 as follows:

A1A1U13 1820-2889 CD9 IC GATE TTL ALS AND TPL 3-INP 74ALS11.

A1A1U19 1820-2888 CD1 IC GATE TTL ALS AND DUAL 4-INP 74ALS21.

Page 6-7, Table 6-3:

Add A1A3R16 0757-0401 (CD0) Qty 1 RESISTOR 100 .125W 1% F TC=0+100.

Change A1A2U5, U13, and U14 part number and description as follows:

1820-1300 CD6 74LS195A.

Change A1A2U11, U12, and U15 part number and description as follows:

1820-1470 CD1 74LS157.

Page 6-8, Table 6-3:

Change A1A3U18 and U22 as follows:

A1A3U18 1820-2889 CD9 IC GATE TTL ALS AND TPL 3-INP 74ALS11.

A1A3U22 1820-2889 CD9 IC GATE TTL ALS AND TPL 3-INP 74ALS11.

Change A1A3U8, U27, and U39 part number and description as follows:

1820-1300 CD6 74LS195A.

Change A1A3U17 part number and description as follows:

1820-1470 CD1 74LS157.

Page 6-9, Table 6-3:

Change A1A5U6 as follows:

A1A5U6 1820-2889 CD9 IC GATE TTL ALS AND TPL 3-INP 74ALS11.

Page 6-10, Table 6-3:

Change A1A6U10 and U22 as follows:

A1A6U10 1820-2889 CD9 IC GATE TTL ALS AND TPL 3-INP 74ALS11.

A1A6U22 1820-2889 CD9 IC GATE TTL ALS AND TPL 3-INP 74ALS11.

Change A1A6U26-U28 and U36-U38 part number and description as follows:

1820-1300 CD6 74LS195A.

>> Change A1A7U2 to 1820-1430 CD3 IC CNTR TTL LS BIN SYNCHRO POS-EDGE-TRIG SN74LS161AN.

Change A1A7U8 part number and description as follows:

1820-1470 CD1 74LS157.

Page 6-11, Table 6-3:

Change A1A9U3-U7 part number and description as follows:

1820-1300 CD6 74LS195A.

Change A1A9U8 part number and description as follows:

1820-1470 CD1 74LS157.

Page 6-12, Table 6-3:

Change A1A9U11 and U12 as follows:

A1A9U11 1820-2889 CD9 IC GATE TTL ALS AND TPL 3-INP 74ALS11.

A1A9U12 1820-2889 CD9 IC GATE TTL ALS AND TPL 3-INP 74ALS11.

>> Change A1A10U4-8 to 1820-1793 CD1 IC LCH TTL GATED D CLEAR DUAL 4-BIT SN74116N.

Change A1A11XA1-1 through XA9-1 and A1A11XA10A part number to

1251-6052 CD8.

ERRATA (cont'd)

Pages 6-12 and 6-13, Table 6-3:

Change A1A12Q1-Q20 HP Part Number to 1854-0215 (CD1).

- >> Change A3A1U5 to 1820-1300 CD6 SHF-RCGR TTL LS R-S PRL-IN PRL-OUT SN74LS195AN.

Page 6-13, Table 6-3:

Under A1A13 delete A1A13TP1-TP5 and add the following:

A1A13DS1-DS5 2140-0427 CD5 Qty5 LAMP INCAND 5VDC 60MA T-1-BULB

Pages 6-14 and 6-15, Table 6-3:

Change HP Part Numbers for A2XA8-1 through A2XA19-2 to 1251-6052 (CD8).

Page 6-17, Table 6-3:

Change A3A1U8 as follows:

A3A1U8 1820-2889 CD9 IC GATE TTL ALS AND TPL 3-INP 74ALS11.

Page 6-20, Table 6-3:

Change A4A2C25 HP Part Number to 0160-3064 (CD2).

Page 6-21, Table 6-3:

Add an asterisk (*) to A4A2R42 to indicate a factory selected value.

A4A2R46: If replacement is needed, the recommended part is shown in Change 1.

Page 6-23, Table 6-3:

Change A4A4Q4 and Q8 HP Part Numbers to 1854-0345 (CD8).

- >> Change A4A4R29 to 0698-7222 CD1 RESISTOR 26- 1% .05W F TC=0+-100.

Page 6-24, Table 6-3:

Change A4A5Q1 and Q7 HP Part Numbers to 1854-0345 (CD8).

Page 6-27, Table 6-3:

Add an asterisk (*) to A4A7R23 to indicate a factory selected value.

Page 6-28, Table 6-3:

Add Item 35 08660-20152 (CD1) KEYBOARD SUPPORT.

Page 6-29, Table 6-3:

Change A6A1XA20-1 part number to 1251-6052 CD8.

Change A6A2 part number and description to:

08660-60280 CD4 Qty 1 FAN ASSEMBLY (EXCEPT OPTION 003).

08660-60281 CD5 Qty 1 FAN ASSEMBLY (OPTION 003 ONLY).

Add the following under A6A2:

A6A2B1 08660-20184 CD3 FAN-TBAX 115-CFM 115V 50/60-HZ.

(EXCEPT OPTION 003).

A6A2B1 08660-20185 CD4 FAN-TBAX 95-CFM 95-128V 47-440-HZ.

(OPTION 003 ONLY).

Page 6-30, Table 6-3:

Change A9W1 to 8120-1727 (CD4), same description.

Page 6-33, Table 6-3:

Change A11C28 HP Part Number to 0160-2028 (CD6).

Pages 6-37 and 8-36, Table 6-3:

Add asterisks (*) to A13R30 and A13R36 to indicate factory selected values.

Page 6-38, Table 6-3:

Add an asterisk (*) A13R81 to indicate a factory selected value.

Page 6-42, Table 6-3:

Change A14U7 as follows:

A14U7 1820-2888 CD1 IC GATE TTL ALS AND DUAL 4-INP 74ALS21.

Page 6-44, Table 6-3:

Change A16R2 to 0757-0280 (CD3) RESISTOR RF 1K 1% .125W TC=0+100.

Add an asterisk (*) to A16R2 to indicate a factory selected value.

ERRATA (cont'd)

Page 6-47, Table 6-3:

Add asterisks (*) to A17R29 and A17R32 to indicate factory selected values.

Page 6-50, Table 6-3:

Change A19C11 HP Part Number to 0160-2030 (CDO).

Page 6-52, Table 6-3:

Change A20E1 and K2 as follows:
0490-1348 CDO RELAY 4A 24VDC-COIL 7.5A 115VAC.

Page 6-54, Table 6-3:

Under A25Q1 add:
3050-0001 (CD2) Qty 2 WASKER-FL MTLN NO. 8 .172-IN-ID.

Page 6-56, Table 6-3:

Under CHASSIS PARTS add the following:
08660-80030 CD4 Qty 1 SPRING-TORSION .031 WIR

Page 7-33, P/O CHANGE X:

Add the following:

Page 8-172, P/O Table 8-54 (Service Sheet 40):

J2	Provides for faster internal operation which is possible when using an 8660A.	Install only with an 8660A but never with as 8660B or 8660C.
J3	Provides an internal change to provide compatibility with the HP 9825 calculator.	Install when using an 8660B or 8660C with a 9825 calculator. DO NOT use J1 and J3 at the same time.

Page 8-93, Service Sheet 1 (Block Diagram):

At lower center of service sheet, at A4J2, change W11 color code 1 to W12 color code 5. At A4J4, change W12 color code 5 to W11 color code 1.

Page 8-95, Service Sheet 2 (schematic):

In the lower-left corner of the schematic at A21 Ref. Osc Assy replace a portion of Figure 8-18 with the partial schematic from this supplement. Add an asterisk (*) to A4A2R42 to indicate a factory selected value. At center right of Service Sheet, at A4J2, change the color code indicator from 1 to 5, assign cable designator W11, and change off-page designation from F 11 to E 9, 9A. Change N3 to N2. At A4J4, change color code indicator from 5 to 1, assign cable designator W12, and change off-page designation from E 9, 9A to F 11. Change N2 to N3.

Page 8-97, Service Sheet 3 (schematic):

Change A4A4Q4 and A4A4Q8 part numbers to 1854-0345.

Page 8-101, Service Sheet 5:

Add an asterisk (*) to A4A7R23 to indicate a factory selected value.

Page 8-101, Figure 8-24:

In the A4A7 component locator, the positions of C22 and C24 are transposed. Change C22 to C24 and C24 to C22.

Page 8-103, Service Sheet 6 (schematic):

Change A4A5Q1 and A4A5Q7 part numbers to 1854-0345.

ERRATA (cont'd)

Page 8-105, Service sheet 7 (schematic):

Change value of A16R2 to 1k ohms and add an asterisk (*) to indicate a factory selected value.

Page 8-107, Service Sheet 8 (schematic):

Add asterisks (*) to A17R29 and A17R32 to indicate factory selected values.

Page 8-109, Service Sheet 9 (schematic):

In upper-left corner of service sheet, at off-page designator 2 E , 100 kHz REF, add cable designator W12 and change color code indicator from 1 to 5.

Page 8-111, Service Sheet 9A (schematic):

In upper-left corner of service sheet, at off-page designator 2 E , 100 kHz REF, add cable designator W12 and change color code indicator from 1 to 5.

Change A14U7 part number to 1820-2888.

Page 8-113, Service Sheet 10 (schematic):

Add asterisks (*) to A13R30, A13R36 and A13R81 to indicate factory selected values.

Page 8-115, Service Sheet 11 (Schematic):

In the upper-left hand corner of the schematic at off-page connector 2(F), change cable color code to 1 and add cable designator W11.

Page 8-131, Service Sheet 19 (Component Locator):

Add U24 between U23 and U25 in Figure 8-56. Delete U23 from Figure 8-56.

Page 8-131, Service Sheet 19 (schematic):

At the bottom left corner of the schematic, delete the three lamps and associated components. Add CC 42 to A1A1X1 pin 8(OVRNG-L) and CB 42 to A1A1X1 pin H(FM MODR-L).

In the IC Part No. on the right side of the schematic, change A1A1U13 part number to 1820-2889 and A1A1U19 to 1820-2888.

Page 8-133, Service Sheet 20 (Component Locations):

Add U23 between U22 and U24 in Figure 8-58.

Page 8-133, Service Sheet 20 (Schematic):

In the center of the schematic, delete the two lamps and their associated components. Add CA 42 to A1A1X1 pin L(RMTL-L) and CB 42 to A1A1X1 pin 13(SWL-L).

Change U23A pin 13 to pin 12.

Two S 19 off-page connection designators are shown. The correct one is connected to the junction of U20A pin 2, U21A pin 6, and U13A pin 1.

Delete off-page connection designator S 19 on SW1-HD line at far right side of schematic.

Page 8-139, Figure 8-67 (Service sheet 23):

Change A1A3U18 and U22 part number to 1820-2889.

Page 8-147, Figure 8-75 (Service Sheet 27):

Change A1A5U6 part number to 1820-2889.

Page 8-149, Figure 8-77 (Service Sheet 28):

Change A1A5U6 part number to 1820-2889.

Page 8-151, Figure 8-79 (Service Sheet 29):

Change A1A6U10 and U22 part numbers to 1820-2889.

Page 8-155, Figure 8-83 (Service Sheet 31):

Change A1A6U22 part number to 1820-2889.

Page 8-161, Figure 8-89 (Service Sheet 34):

Change A1A9U11 and U12 part numbers to 1820-2889.

Page 8-165, Service Sheet 36 (Notes):

Change transistor part numbers to 1854-0215.

ERRATA (cont'd)

Page 8-166, Service Sheet 37 (Text):

Under LOCAL MODE replace AUTO-MAN with LCL-H in the first and sixth lines. change the last two lines as follows:
LCL/RMT signal to J5-T and LCL-H signal to the digital control unit (Service Sheets 20, 21, and 23).

Page 8-167, Service Sheet 37 (Schematic):

On the left edge of the schematic, change line name on A3XA1-L to OVEN-L. On the right edge of the schematic, change line name on A3XA3-V to LCL/RMT.

Page 8-168, Service Sheet 38 (Text):

Under REAR INTERFACE CIRCUIT in the fifth paragraph, line seven, change the term GHz to ERROR. In the seventh paragraph replace AUTO with LCL-H. Replace the last line of this paragraph with the following:
instrument is set to the remote mode.

Page 8-169, Service Sheet 38 (Schematic):

On the left edge of the schematic at A3XA5-4, change the offpage designator to 2 H 904.

Page 8-172, Service Sheet 40 (Text):

In Table 8-54, delete J2 and J3 and their associated text.

Page 8-173, Service Sheet 40 (Schematic):

On the right edge of the schematic at XA3-V, add line name LCL/RMT.
Change A3A1U8 part number to 1820-2889.

Page 8-175, Service Sheet 41 (Schematic):

In the upper-left corner of the schematic add a 54 color code wire from A5A2B1 (Fan Motor) case to chassis ground. This is a Safety Ground Wire and MUST be added to all instruments with Serial Prefixes up to and including 2242A. This is added to the instruments starting with Serial Prefix 2252A.

Page 8-177, Service Sheet 42 (Schematic):

Delete Figure 8-108 and replace with figure from this supplement.

CHANGE 1

Page 6-21, Table 6-3:

Change A4A2R46 to 0757-0442 (CD9) RESISTOR 10K 1% .125W F TC=0+100.

Page 8-95, Service Sheet 2 (schematic):

Change A4A2R46 to 10k ohms.

CHANGE 2

Page 6-27, Table 6-3:

Add A5C20 0160-3165 (CD4) CAPACITOR FXD .047 UF 2% 50 VDC.

Add A5C21 0160-0575 (CD4) CAPACITOR FXD .047 UF 20% 50 VDC.

Page 8-174, Service Sheet 41 (Component Locations):

Replace portion of Figure 8-105 with partial figure from this supplement.

Page 8-175, Service Sheet 41 (schematic):

Add A5C20 .047 uF, connected between the collector of Q4 and ground.

Add A5C21 .047 uF, connected between the collector of Q2 and ground.

CHANGE 3

Page 6-7, Table 6-3:

Change A1A3C11* to HP Part Number 0160-3537 (CD4) Qty 1 CAPACITOR-FXD
680 PF +5% 300 VDC MICA.

Add the following:

A1A3R17	0698-7222	(CD1)	Qty 8	RESISTOR 261 .05W 1%
A1A3R18	0698-7222	(CD1)		RESISTOR 261 .05W 1%
A1A3R19	0698-7222	(CD1)		RESISTOR 261 .05W 1%
A1A3R20	0698-7222	(CD1)		RESISTOR 261 .05W 1%
A1A3R21	0698-7222	(CD1)		RESISTOR 261 .05W 1%
A1A3R22	0698-7222	(CD1)		RESISTOR 261 .05W 1%
A1A3R23	0698-7222	(CD1)		RESISTOR 261 .05W 1%
A1A3R24	0698-7222	(CD1)		RESISTOR 261 .05W 1%
A1A3TP1	1251-0600	(CDO)	Qty 2	TEST PIN M
A1A3TP2	1251-0600	(CDO)		TEST PIN M

Page 8-139, Figure 8-66 (Service Sheet 23):

Replace Figure 8-66 with figure from this supplement.

Page 8-139, Figure 8-67 (Service Sheet 23):

In Table of Reference Designations, change resistors to R1-R24 and add TP1 and TP2.

Page 8-141, Figure 8-68:

Replace Figure 8-68 with figure from this supplement.

Page 8-141, Figure 8-69 (Service Sheet 24):

Replace portions of Figure 8-69 with partial schematics from this supplement.

Change value of A1A3C11* to 680 pF.

CHANGE 4

Page 6-9, Table 6-3:

Change A1A4U16 HP Part Number to 1820-0075 (CDO).

Page 8-145, Service Sheet 26 (Notes):

Change U16 IC NUMBER to 1820-0075.

CHANGE 5

Page 6-29, Table 6-3:

Add the following under A6A2 MISCELLANEOUS:

08660-60376 CD9 Qty 1 GROUND CABLE #18 AWG (GREEN/YELLOW).

Page 8-175, Service Sheet 41 (Schematic):

In the upper-left corner of the schematic add a 54 color code wire from A6A2B1 (Fan Motor) case to chassis ground. This is a Safety Ground Wire and must be re-connected if the Fan Assembly is removed.

CHANGE 6

Page 8-196, Figure 8-132:

At J5 Modulation Section in pin J add the following: 4 SH/CON; and at J5 pin K add the following: 6 BW. At J6 RF Section on pin 31 add the following: 6 BW; and at pin 37 add the following: 4 SH/CON.

CHANGE 7

Page 6-41, Table 6-3:

Change A14R1 and R2 part number and description as follows:

A14R1 0698-0085 CDO RESISTOR 2.61K 1% .12W.

A14R2 0757-0424 CD7 RESISTOR 1.1K 1% .12W.

Page 8-111, Service Sheet 9A (schematic):

On the left edge of the schematic near U7B, change the values of A14R1 to 2610 ohms and A14R2 to 1100 ohms.

CHANGE 8

Page 6-22, Table 6-3:

Change A4A4 part number to 08660-60375 CD8

Change A4A4C28 part number and description to:

0160-0576 CD5 Qty 1 CAPACITOR-FXD .1UF 50 VDC CER.

Change A4A4C35 part number and description to:

0160-2264 CD2 CAPACITOR-FXD 20 PF CER.

Change A4A4C36 part number and description to:

0160-2306 CD3 CAPACITOR-FXD 27 PF MICA.

Page 6-23, Table 6-3:

Change A4A4L10 part number and description to:

9140-0519 CD1 Qty 3 INDUCTOR RF-CH-MLD 220 NH 5%.

Change A4A4L12 part number and description to:

9140-0524 CD3 Qty 0 INDUCTOR RF-CH-MLD 560 NH 5%.

Change A4A4R16 part number and description to:

0757-0280 CD3 Qty 1 RESISTOR 1K 1% .12W.

Change A4A4R20 part number and description to:

0757-1000 CD7 Qty 1 RESISTOR 51.1 1% .5W.

Add A4A4R33 0757-1094 CD9 RESISTOR 1.47K 1% .12W.

Add A4A4R34 0757-0416 CD7 RESISTOR 511 1% .12W.

Change A4A4U1 part number and description to:

1820-2934 CD4 Qty 1 MCL2009.

Page 8-97, Service Sheet 3 (component locations):

Replace Figure 8-19 with figure from this supplement.

Page 8-97, Service Sheet 3 (schematic):

Replace part of Figure 8-21 with partial figure from this supplement. In the Reference Designations table, under A4A4, change to read R1-R34.

>> Change the part number of the A4A4 Reference VCO Assy to: 08660-60375.

CHANGE 9

Page 8-196, Figure 8-132:

In J5 Modulation Section in connector AA, add 3 LB-CON and in connector CC, add 5 DB-CON.

In J6 RF Section in connector 15, add 5 DB-CON and in connector 16, add 3 LB-CON.

CHANGE 10

Page 6-22, Table 6-3:

Under A4A4, add A4A4E1 9170-0029 (CD3) Qty 1 BEAD FERRITE.

Page 8-97, Service Sheet 3 (component locations):

Replace Figure 8-19 with figure from this supplement.

Page 8-97, Service Sheet 3 (schematic):

Replace part of Figure 8-21 with partial figure from this supplement.
Add A4A4E1 to the Table of Reference Designations.

CHANGE 11

Page 6-29, Table 6-3:

Change A7R1 part number to 0857-0306 CD4, description remains the same.

CHANGE 12

Page 6-7, Table 6-3:

Change A1A3 (08660-60191) to 08660-60385 (CD0).

Page 6-8, Table 6-3:

Change A1A3U11 to 1820-1419 (CD8) IC COMPTR TTL LS MAGTD 4-BIT.

Page 8-139 Service Sheet 23, (schematic):

Change IC PART NUMBER of U11 to 1820-1419 (CD8) same description.

Change A1A3 (top of schematic) to 08660-60385.

Replace the appropriate portion of Figure 8-67 with the attached,
"P/O FIGURE 8-67. A1A3 READOUT CONTROL ASSY (P/O CHANGE 12)."

CHANGE 13

Page 6-12, Table 6-3:

Change A1A10 part number to 08660-60380 CD5.

Change A1A10U1 to 1820-1418 CD7 IC DCDR TTL LS BCD-TO-DEC 4-TO-10-LINE SN74LS42N.

Page 8-163, Service Sheet 35 (schematic):

Change part number of the A1A10 Assembly to 08660-60380.

Replace the appropriate portion of Figure 8-91 with the attached,
"P/O Figure 8-91. A1A10 OUTPUT REGISTER ASSY (P/O CHANGE 13)."

CHANGE 14

Page 6-25, Table 6-3:

Change the part number of A4A6 to 08660-60831 (CD1).

Add A4A6CR2-11 1902-0943 (CD5) DIODE-ZNR 2.4V 5% DO-35 PD=.4W
TC=-.037% 28480 1902-0943.

Change the part number of A4A6Q2-13 to 1853-0360 (CD5) TRANSISTOR PNP
2N3799A SI TO-18 PD=360MW 04713 2N3799A.

Delete A4A6R10, R16, R24, R31, R36, R41, R45, R49, R53, and R57.

Change the part number of A4A6R11 to 0698-0084 (CD9) RESISTOR 2.15K
1% .125W F TC=0+-100 24546 C4-1/8-TO-2151-F.

Change the part numbers of A4A6R12, R17, R25, R32, R37, R42, R46, R50,
R54, and R58 to 0698-3156 (CD2) RESISTOR 14.7K 15 .125W F TC=0+-100
24546 C4-1/8-TO-1472-F.

Page 8-99, Service Sheet 4 (schematic):

On upper left portion of schematic, change A4A6 PRETUNE ASSY
(08660-60007) part number to (08660-60831).

Replace resistors R57, 53, 49, 45, 41, 36, 31, 24, and 16 with CR2-10,
respectively. Show all diodes with cathodes going to U1.

Change part numbers of Q2-13 to 1853-0360.

Change the values of R12, 17, 25, 32, 37, 42, 46, 50, 54, and 58 to
14.7K.

Replace R10 with CR11. Show with cathode going to collector of Q1.

Change the value of R11 to 2.15K.

On lower left portion of schematic, change 8660C: PRETUNING ASSY:
1548A to 8660C: PRETUNING ASSY: 2446A.

>> CHANGE 15

Page 6-6 and 6-7, Table 6-3:

Replace the entire ALA2 listing with the attached ALA2 listing "P/O
Table 6-3. Replaceable Parts (P/O CHANGE 15)".

Page 6-9 and 6-10, Table 6-3:

Replace the entire ALA6 listing with the attached ALA6 listing "P/O
Table 6-3. Replaceable Parts (P/O CHANGE 15)".

Page 6-11 and 6-12, Table 6-3:

Replace the entire ALA9 listing with the attached ALA9 listing "P/O
Table 6-3. Replaceable Parts (P/O CHANGE 15)".

Page 6-27, Table 6-3:

Delete A5C20 and A5C21 (added in CHANGE 2).

Page 8-135, Service Sheet 21 (component locator):

Delete Figure 8-62. Reference designators are silkscreened on new
circuit board.

Page 8-135, Service Sheet 21 (schematic):

Replace Figure 8-63 with the attached "Figure 8-63. P/O ALA2 Keyboard
Control Schematic (Part 1) (P/O CHANGE 15)".

Page 8-137, Service Sheet 22 (component locator):

Delete Figure 8-64. Reference designators are silkscreened on new
circuit board.

Page 8-137, Service Sheet 22 (schematic):

Replace Figure 8-65 with the attached "Figure 8-65. P/O ALA2 Keyboard
Control Schematic (Part 2) (P/O CHANGE 15)".

>> CHANGE 15 (cont'd)

Page 8-151, Service Sheet 29 (component locator):

Delete Figure 8-78. Reference designators are silkscreened on new circuit board.

Page 8-151, Service Sheet 29 (schematic):

Replace Figure 8-79 with the attached "Figure 8-79. P/O ALA6 Register Board Schematic (Part 1) (P/O CHANGE 15)".

Page 8-153, Service Sheet 30 (component locator):

Delete Figure 8-80. Reference designators are silkscreened on new circuit board.

Page 8-153, Service Sheet 30 (schematic):

Replace Figure 8-81 with the attached "Figure 8-81. P/O ALA6 Register Board Schematic (Part 2) (P/O CHANGE 15)".

Page 8-155, Service Sheet 31 (component locator):

Delete Figure 8-82. Reference designators are silkscreened on new circuit board.

Page 8-155, Service Sheet 31 (schematic):

Replace Figure 8-83 with the attached "Figure 8-83. P/O ALA6 Register Board Schematic (Part 3) (P/O CHANGE 15)".

Page 8-161, Service Sheet 34 (component locator):

Delete Figure 8-88. Reference designators are silkscreened on new circuit board.

Page 8-161, Service Sheet 34 (schematic):

Replace Figure 8-89 with the attached "Figure 8-89. P/O ALA9 A Register Schematic (P/O CHANGE 15)".

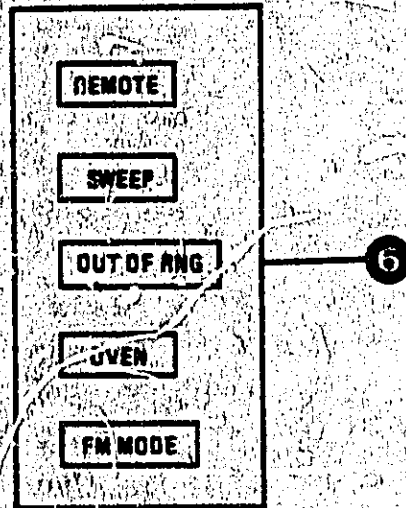
Page 8-175/8-176, Service Sheet 41 (schematic):

Delete C20. (Added in CHANGE 2 between the collector of Q4 and ground.)

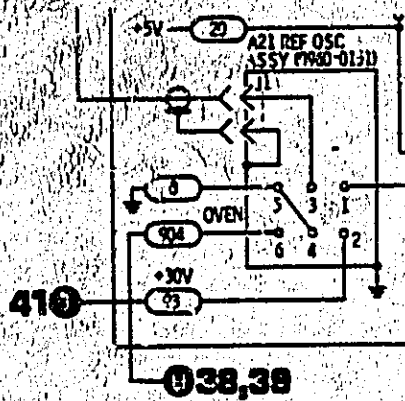
Delete C21. (Added in CHANGE 2 between the collector of Q2 and ground.)

P/O Table 5-1. Factory Selected Components
(P/O ERRATA)

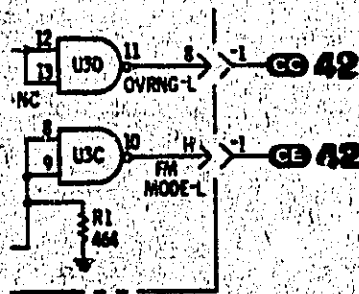
A1A3C11	Readout Control Assembly	To eliminate incorrect display flashing when the manual tuning control is used. See Service Sheet 24.	330 to 820 pF
A13R81	N2VCO	To give most symmetrical square wave at A14aTP1. See Service Sheet 9A and 10.	23.7 to 237 ohms
A4A2R42	Phase Detector	To achieve correct phase error signal level.	100 to 422 ohms
A4A7R23	Sampling Phase Detector	To permit adjustment of A4A7R22. See paragraph 5-30, step 2b.	7.5K to 11k ohms
A13R30	N2VCO	To center range of associated potentiometer.	5.62k to 8.25k ohms
A13R36			12.1k to 17.4k ohms
A16R2	N1 Phase Detector	To compensate for variations in U7A switching characteristics.	825 to 1.21k ohms
A17R29	N1VCO	To center range of associated potentiometer	12.1k to 17.4k ohms
A17R32			5.11k to 7.5k ohms



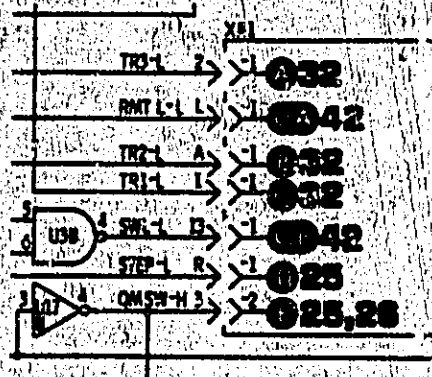
P/O Figure 3-1. Front and Rear Panel Controls, Indicators, and Connectors (ERRATA)



P/O Figure 8-18. Reference Circuit Partial Schematics (ERRATA)



P/O Figure 8-57. A1A1 Switch Control Partial Schematic (Part 1) (ERRATA)



P/O FIGURE 8-59. A1A1 Switch Control Partial Schematic (Part 2) (ERRATA)

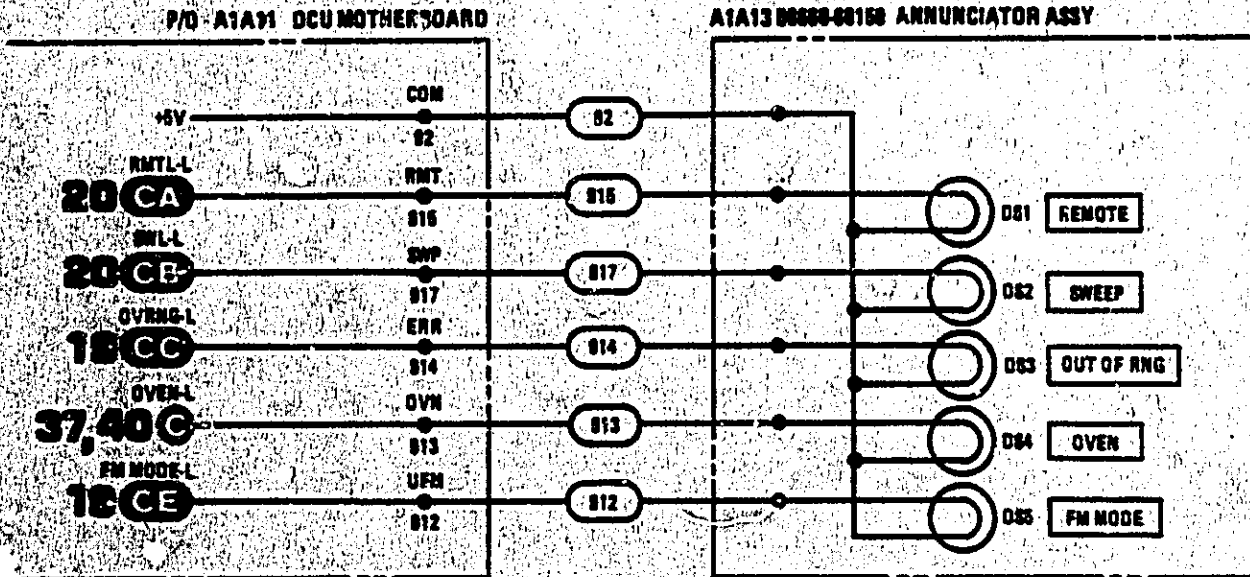
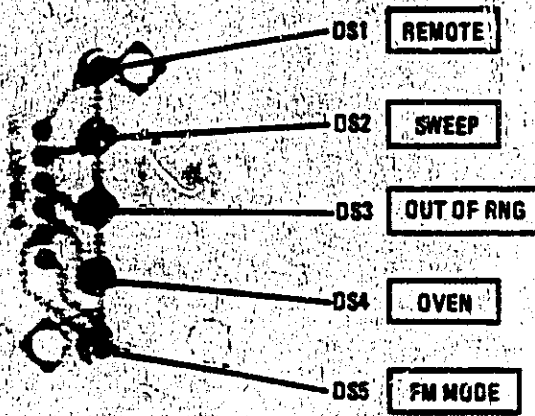
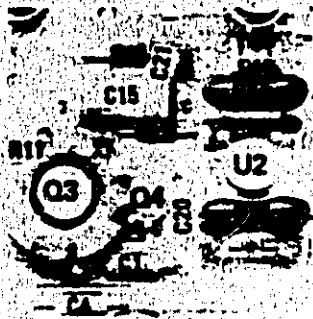


Figure 8-108. A1A3 Annunciator Assembly and Schematic (ERRATA)



>>P/O Figure 8-105. Partial AS Component Locations (P/O CHANGE 2)

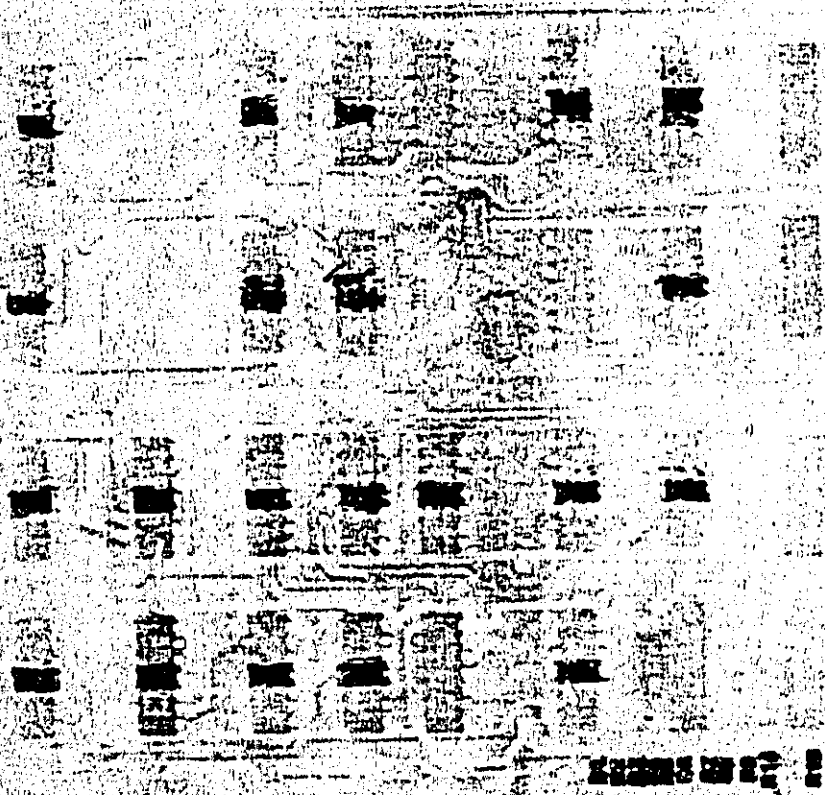


Figure 8-66. P/O AIA3 Readout Control Assembly Component Locations (Part 1) (P/O CHANGE 3)

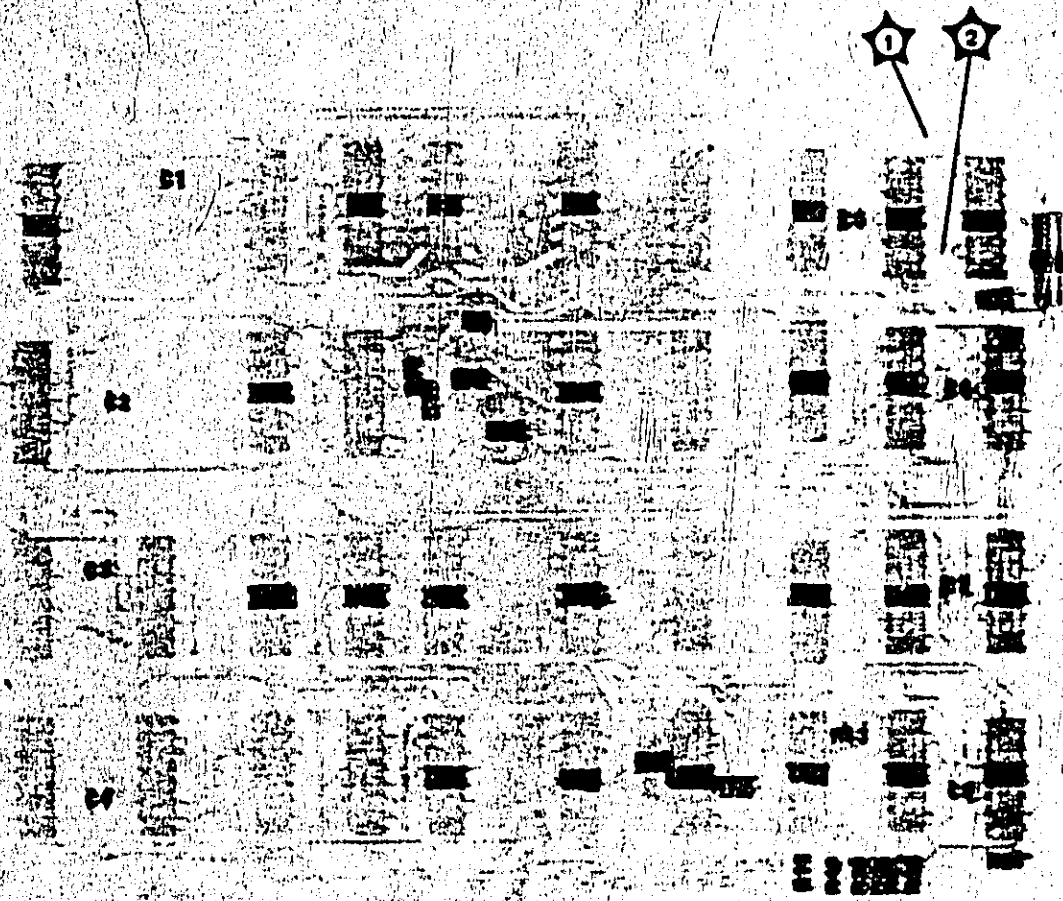


Figure 8-68. P/O A1A3 Readout Control Assembly Component Locations (Part 2) (P/O CHANGE 3)

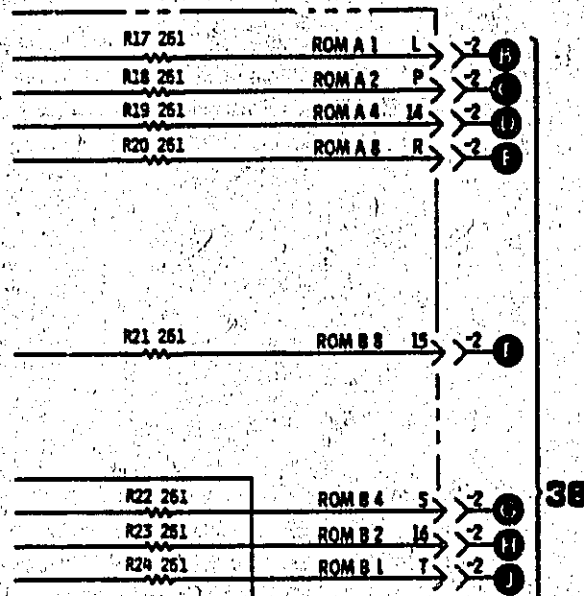
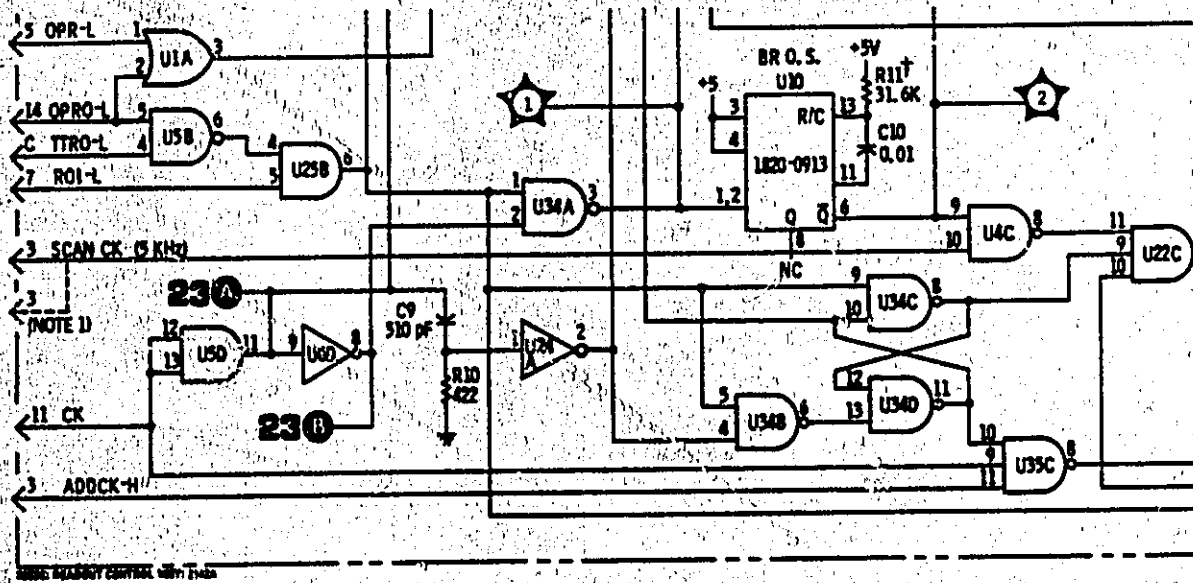


Figure 8-69. Partial Schematic of A1A3. (P/O CHANGE 3)

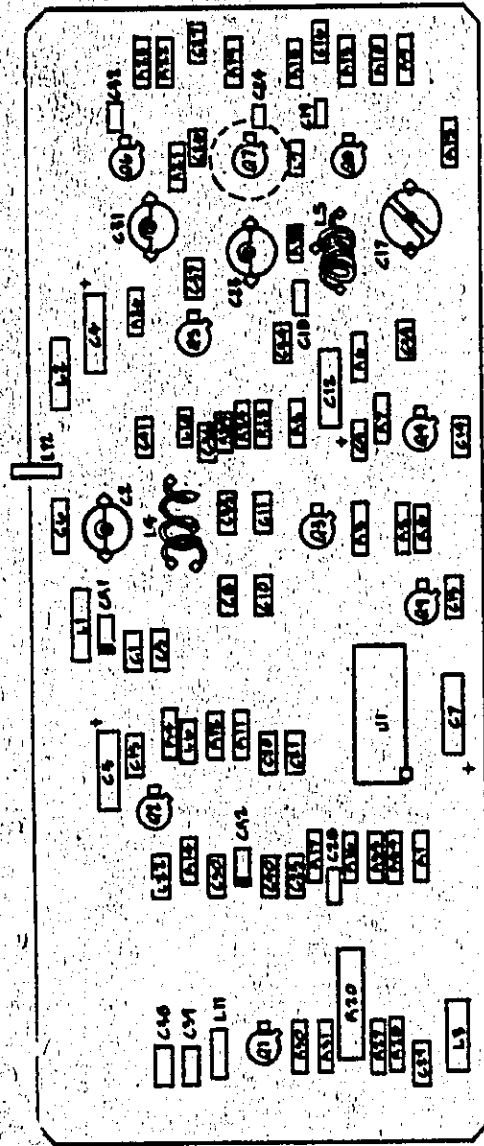
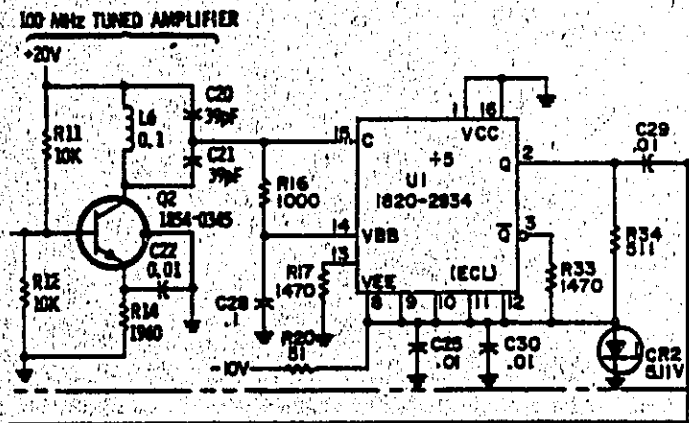


Figure 8-19. A4A4 Reference VCO Component Locations (P/O CHANGE 8)



P/O Figure 8-21. Reference VCO and Divider Schematic Diagram (P/O CHANGE 8)

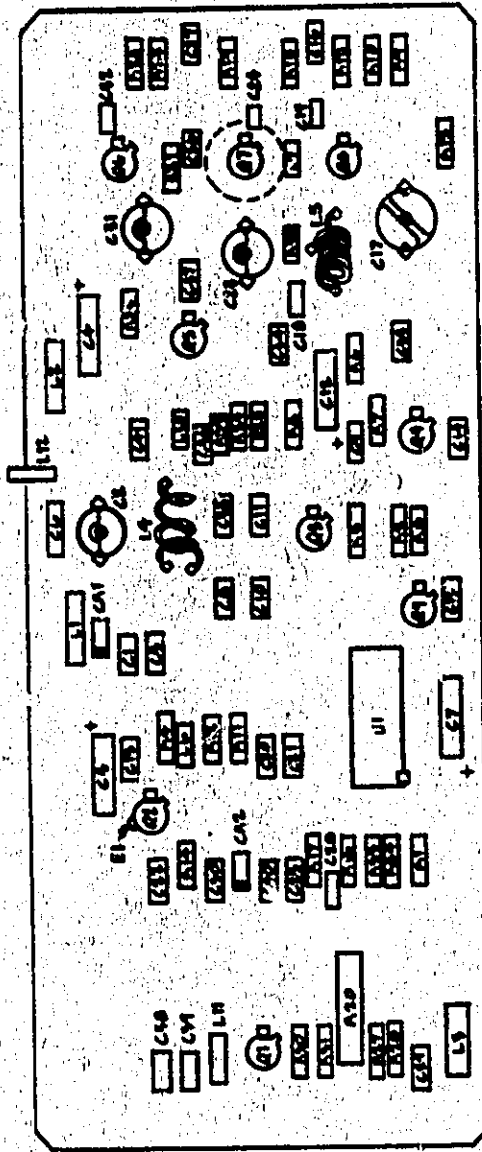
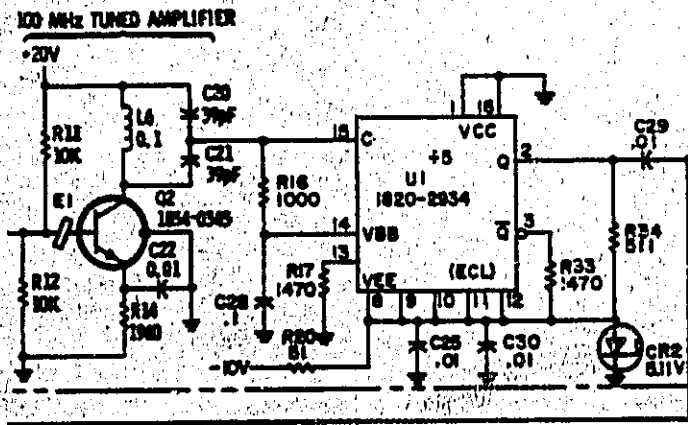
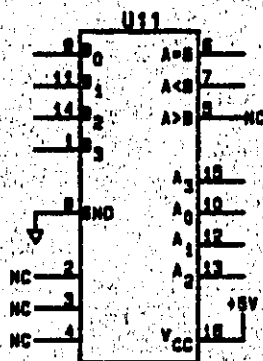


Figure 8-19. A4A4 Reference VCO Component Locations (P/O CHANGE 10)

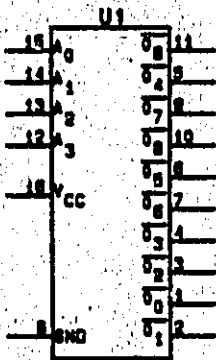


P/O Figure 8-21. Reference VCO and Divider Schematic Diagram (P/O CHANGE 10)

P/O Figure 8-67. A1A3 READOUT
CONTROL ASSY (P/O CHANGE 12).



P/O Figure 8-91. A1A10 OUTPUT
REGISTER ASSY (P/O CHANGE 13).



P/O Table 6-3. Replaceable Parts (P/O CHANGE 15)

Reference Designation	HP Part Number	C D	Qty	Description	Mfr Code	Mfr Part Number
A1A2	08680-80383	8		BOARD ASSEMBLY, KEY CONTROL (EXCEPT OPTION 004)	28480	08680-80383
A1A2	08680-80181	0		BOARD ASSEMBLY, KEY CONTROL (OPTION 004 ONLY)	28480	08680-80181
A1A2C1	0180-0945	2		CAPACITOR-FXD 810PF +-5% 100VDC MICA	28480	0180-0945
A1A2C2	0180-2204	0		CAPACITOR-FXD 100PF +-5% 200VDC MICA	28480	0180-2204
A1A2C3	0180-0157	0		CAPACITOR-FXD 4700PF +-10% 200VDC POLYE	28480	0180-0157
A1A2C4				NOT ASSIGNED		
A1A2C5	0180-0187	8		CAPACITOR-FXD 2.2UF +-10% 20VDC TR	58288	1500225X8020A2
A1A2C6	0180-0187	8		CAPACITOR-FXD 2.2UF +-10% 20VDC TR	58288	1500225X8020A2
A1A2C7	0180-0187	8		CAPACITOR-FXD 2.2UF +-10% 20VDC TR	58288	1500225X8020A2
A1A2C8	0180-0187	8		CAPACITOR-FXD 2.2UF +-10% 20VDC TR	58288	1500225X8020A2
A1A2C9	0180-0187	8		CAPACITOR-FXD 2.2UF +-10% 20VDC TR	58288	1500225X8020A2
A1A2C10	0180-0187	8		CAPACITOR-FXD 2.2UF +-10% 20VDC TR	58288	1500225X8020A2
A1A2C11	0180-0187	8		CAPACITOR-FXD 2.2UF +-10% 20VDC TR	58288	1500225X8020A2
A1A2C12	0140-0118	8		CAPACITOR-FXD 240PF +-5% 300VDC MICA	72138	0M15F241T0300V1C8
A1A2C13	0180-3533	0		CAPACITOR-FXD 470PF +-5% 300VDC MICA (OPTION 004 ONLY)	28480	0180-3533
A1A2C14	0180-0181	4		CAPACITOR-FXD .01UF +-10% 200VDC POLYE	28480	0180-0181
A1A2C15	0180-4832	4		CAPACITOR-FXD .01UF +-10% 100VDC CER	28480	0180-4832
A1A2C16	0180-4832	4		CAPACITOR-FXD .01UF +-10% 100VDC CER	28480	0180-4832
A1A2C17	0180-0187	8		CAPACITOR-FXD 2.2UF +-10% 20VDC TR	58288	1500225X8020A2
A1A2Q1	1853-0020	4		TRANSISTOR PNP SI PD-300MH FT-150MHZ	28480	1853-0020
A1A2R1	0757-0418	0		RESISTOR 881 1% .125W F TC=0+-100	24548	C4-1/8-TO-681R-F
A1A2R2	0757-0428	1		RESISTOR 1K 1% .125W F TC=0+-100	24548	C4-1/8-TO-1821-F
A1A2R3	0888-0082	7		RESISTOR 484 1% .125W F TC=0+-100	24548	C4-1/8-TO-4840-F
A1A2R4	0757-0280	3		RESISTOR 1K 1% .125W F TC=0+-100	24548	C4-1/8-TO-1001-F
A1A2R5	0888-3430	5		RESISTOR 21.5 1% .125W F TC=0+-100	03888	PHE55-1/8-TO-21R5-F
A1A2R6	0888-3430	5		RESISTOR 21.5 1% .125W F TC=0+-100	03888	PHE55-1/8-TO-21R5-F
A1A2R7	0757-0280	3		RESISTOR 1K 1% .125W F TC=0+-100	24548	C4-1/8-TO-1001-F
A1A2R8	0888-3430	5		RESISTOR 21.5 1% .125W F TC=0+-100	03888	PHE55-1/8-TO-21R5-F
A1A2R9	0888-3430	5		RESISTOR 21.5 1% .125W F TC=0+-100	03888	PHE55-1/8-TO-21R5-F
A1A2R10	0757-0280	3		RESISTOR 1K 1% .125W F TC=0+-100	24548	C4-1/8-TO-1001-F
A1A2R11	0757-0438	3		RESISTOR 5.11K 1% .125W F TC=0+-100	24548	C4-1/8-TO-5111-F
A1A2R12	0757-0385	1		RESISTOR 56.2 1% .125W F TC=0+-100	24548	C4-1/8-TO-56R2-F
A1A2R13	0888-3430	5		RESISTOR 21.5 1% .125W F TC=0+-100	03888	PHE55-1/8-TO-21R5-F
A1A2R14	0888-3180	8		RESISTOR 31.6K 1% .125W F TC=0+-100	24548	C4-1/8-TO-3182-F
A1A2R15	0888-3180	8		RESISTOR 31.6K 1% .125W F TC=0+-100	24548	C4-1/8-TO-3182-F
A1A2R16	0888-3430	5		RESISTOR 21.5 1% .125W F TC=0+-100	03888	PHE55-1/8-TO-21R5-F
A1A2R17	0888-3158	5		RESISTOR 28.1K 1% .125W F TC=0+-100	24548	C4-1/8-TO-2812-F
A1A2R18	0888-3158	5		RESISTOR 28.1K 1% .125W F TC=0+-100	24548	C4-1/8-TO-2812-F
A1A2R19	0757-0438	3		RESISTOR 5.11K 1% .125W F TC=0+-100	24548	C4-1/8-TO-5111-F
A1A2R20	0888-3132	4		RESISTOR 261 1% .125 F TC=0+-100	24548	C4-1/8-TO-2610-F
A1A2R21	0757-0438	3		RESISTOR 5.11K 1% .125W F TC=0+-100	24548	C4-1/8-TO-5111-F
A1A2R22	0757-0288	1		RESISTOR 8.09K 1% .125W F TC=0+-100	24548	C4-1/8-TO-8091-F
A1A2R23	0757-0280	3		RESISTOR 1K 1% .125W F TC=0+-100	24548	C4-1/8-TO-1001-F
A1A2R24	0888-3132	4		RESISTOR 261 1% .125 F TC=0+-100	24548	C4-1/8-TO-2610-F
A1A2R25	0888-3132	4		RESISTOR 261 1% .125 F TC=0+-100	24548	C4-1/8-TO-2610-F
A1A2TP1	1251-0800	0		CONNECTOR-SGL CONT PIN 1.14-M-BSC-SZ SQ	28480	1251-0800
A1A2TP2	1251-0800	0		CONNECTOR-SGL CONT PIN 1.14-M-BSC-SZ SQ	28480	1251-0800
A1A2U1	1820-0054	5		IC GATE TTL NAND QUAD 2-IMP	01285	SN7400N
A1A2U2	1820-1300	6		IC SHF-RGTR TTL LS R-5 PRL-IN PRL-OUT	01285	SN74LS195P
A1A2U3	1820-1438	1		IC MUXR/DATA-SEL TTL LS 2-TO-1-LINE QUAD	01285	SN74LS257P4
A1A2U4	1820-1922	8		IC SHF-RGTR TTL LS PRL-IN SERIAL-OUT	01285	SN74LS168P1
A1A2U5	1820-1922	8		IC SHF-RGTR TTL LS PRL-IN SERIAL-OUT	01285	SN74LS168P1
A1A2U6	1820-1922	8		IC SHF-RGTR TTL LS PRL-IN SERIAL-OUT	01285	SN74LS168P1
A1A2U7	1820-1922	8		IC SHF-RGTR TTL LS PRL-IN SERIAL-OUT	01285	SN74LS168P1
A1A2U8	1820-0174	0		IC INV TTL MEX	01285	SN7404N
A1A2U9	1820-0881	0		IC GATE TTL OR QUAD 2-IMP	01285	SN7432N
A1A2U10	1820-0054	5		IC GATE TTL NAND QUAD 2-IMP	01285	SN7400N
A1A2U11	1820-0811	9		IC GATE TTL AND QUAD 2-IMP	01285	SN7408N
A1A2U12	1820-1470	1		IC MUXR/DATA-SEL TTL LS 2-TO-1-LINE QUAD	01285	SN74LS157P4
A1A2U13	1820-1470	1		IC MUXR/DATA-SEL TTL LS 2-TO-1-LINE QUAD	01285	SN74LS157P4
A1A2U14	1820-1300	6		IC SHF-RGTR TTL LS R-5 PRL-IN PRL-OUT	01285	SN74LS195P
A1A2U15	1820-1300	6		IC SHF-RGTR TTL LS R-5 PRL-IN PRL-OUT	01285	SN74LS195P

See introduction to this section for ordering information.

* Indicates factory selected value

P/O Table 6-3. Replaceable Parts (P/O CHANGE 15)

Reference Designation	HP Part Number	C D	Qty	Description	Mfr Code	Mfr Part Number
RIA2U16	1820-0281	0		IC FF TTL J-K M/S PULSE CLEAR DUAL	01285	SN74107N
RIA2U17	1820-0511	8		IC GATE TTL AND QUAD 2-IMP	01285	SN7408N
RIA2U18	1820-0054	5		IC GATE TTL NAND QUAD 2-IMP	01285	SN7400N
RIA2U19	1820-1112	8		IC FF TTL LS D-TYPE POS-EDGE-TRIG	01285	SN74LS74
RIA2U20	1820-0174	0		IC INV TTL HEX	01285	SN7404N
RIA2U21	1820-1422	3		IC MV TTL LS MONOSTBL RETRIG	01285	SN74LS122P
RIA2U22	1820-0055	8		IC COMPARTOR GP DUAL 14-DIP-C PKG	07283	UA711DC
RIA2U23	1820-1470	1		IC MUXR/DATA-SEL TTL LS 2-TO-1-LINE QUAD	01285	SN74LS157P4
RIA2U24	1820-0089	2		IC GATE TTL NAND DUAL 4-IMP	01285	SN7420N
RIA2U25	1820-0174	0		IC INV TTL HEX	01285	SN7404N
RIA2U26	1820-0214	8		IC DCDR TTL BCD-TO-DEC 4-TO-10-LINE	01285	SN7442AN
RIA2U27	1820-0881	0		IC GATE TTL OR QUAD 2-IMP	01285	SN7432N
RIA2U28	1820-0055	8		IC CNTR TTL DECD SYNCHRO POS-EDGE-TRIG	01285	SN7480AN
RIA2U29	1820-0481	4		IC DCDR TTL BCD-TO-DEC 4-TO-10-LINE	01285	SN74148N

See Introduction to this section for ordering information.

* Indicates factory selected value

P/O Table 6-3. Replaceable Parts (P/O CHANGE 15)

Reference Designation	HP Part Number	C D	Qty	Description	Mfr Code	Mfr Part Number
A1A8	08860-80384	8		BOARD ASSEMBLY, ROM OUTPUT	28480	08860-80384
A1A6C1	0180-0187	8		CAPACITOR-FXD 2.2UF +-10% 20VDC TA	56289	150D225K9020R2
A1A6C2	0180-0187	8		CAPACITOR-FXD 2.2UF +-10% 20VDC TA	56289	150D225K9020R2
A1A6C3	0180-0187	8		CAPACITOR-FXD 2.2UF +-10% 20VDC TA	56289	150D225K9020R2
A1A6C4	0180-0187	8		CAPACITOR-FXD 2.2UF +-10% 20VDC TA	56289	150D225K9020R2
A1A6C5	0180-0187	8		CAPACITOR-FXD 2.2UF +-10% 20VDC TA	56289	150D225K9020R2
A1A6C6	0180-0187	8		CAPACITOR-FXD 2.2UF +-10% 20VDC TA	56289	150D225K9020R2
A1A6C7	0180-0187	8		CAPACITOR-FXD 2.2UF +-10% 20VDC TA	56289	150D225K9020R2
A1A6C8	0180-0187	8		CAPACITOR-FXD 2.2UF +-10% 20VDC TA	56289	150D225K9020R2
A1A6C9	0180-0187	8		CAPACITOR-FXD 2.2UF +-10% 20VDC TA	56289	150D225K9020R2
A1A6C10	0180-0187	8		CAPACITOR-FXD 2.2UF +-10% 20VDC TA	56289	150D225K9020R2
A1A6C11	0180-1735	2		CAPACITOR-FXD .22UF +-10% 35VDC TA	56289	150D224K6035R2
A1A6C12	0180-1735	2		CAPACITOR-FXD .22UF +-10% 35VDC TA	56289	150D224K6035R2
A1A6T1	8159-0005	0		WIRE 22 AWG W PVC 1X22 80C	28480	8159-0005
A1A6T2	8159-0005	0		WIRE 22 AWG W PVC 1X22 80C	28480	8159-0005
A1A6R1	0888-7238	7		RESISTOR 1K 1% .05W F TC=0+-100	24548	C3-1/8-TO-1001-G
A1A6R2	0888-7238	7		RESISTOR 1K 1% .05W F TC=0+-100	24548	C3-1/8-TO-1001-G
A1A6U1	1820-1387	5		IC GATE TTL 5 AND QUAD 2-IMP	01285	SN74LS08P4
A1A6U2	1820-1449	4		IC GATE TTL 5 OR QUAD 2-IMP	01285	SN74LS32P4
A1A6U3	1820-1433	6		IC SHF-RGTR TTL LS R-5 SERIAL-IN PRL-OUT	01285	SN74LS184N
A1A6U4	1820-1433	6		IC SHF-RGTR PRL LS R-5 SERIAL-IN PRL-OUT	01285	SN74LS184N
A1A6U5	1820-0861	0		IC GATE TTL OR QUAD 2-IMP	01285	SN74LS32N
A1A6U6	1820-1822	8		IC SHF-RGTR TTL LS PRL-IN SERIAL-OUT	01285	SN74LS186P1
A1A6U7	1820-1822	8		IC SHF-RGTR TTL LS PRL-IN SERIAL-OUT	01285	SN74LS186P1
A1A6U8	1820-1822	8		IC SHF-RGTR TTL LS PRL-IN SERIAL-OUT	01285	SN74LS186P1
A1A6U9	1820-1822	8		IC SHF-RGTR TTL LS PRL-IN SERIAL-OUT	01285	SN74LS186P1
A1A6U10	1820-1822	8		IC SHF-RGTR TTL LS PRL-IN SERIAL-OUT	01285	SN74LS186P1
A1A6U11	1820-1822	8		IC SHF-RGTR TTL LS PRL-IN SERIAL-OUT	01285	SN74LS186P1
A1A6U12	1820-1822	8		IC SHF-RGTR TTL LS PRL-IN SERIAL-OUT	01285	SN74LS186P1
A1A6U13	1820-1822	8		IC SHF-RGTR TTL LS PRL-IN SERIAL-OUT	01285	SN74LS186P1
A1A6U14	1820-1438	1		IC MUX/DATA-SEL TTL LS 2-TO-1-LINE QUAD	01285	SN74LS257P4
A1A6U15	1820-1438	1		IC MUX/DATA-SEL TTL LS 2-TO-1-LINE QUAD	01285	SN74LS257P4
A1A6U16	1820-1822	8		IC SHF-RGTR TTL LS PRL-IN SERIAL-OUT	01285	SN74LS186P1
A1A6U17	1820-1822	8		IC SHF-RGTR TTL LS PRL-IN SERIAL-OUT	01285	SN74LS186P1
A1A6U18	1820-1822	8		IC SHF-RGTR TTL LS PRL-IN SERIAL-OUT	01285	SN74LS186P1
A1A6U19	1820-1822	8		IC SHF-RGTR TTL LS PRL-IN SERIAL-OUT	01285	SN74LS186P1
A1A6U20	1820-0077	2		IC FF TTL D-TYPE POS-EDGE-TRIG-CLEAR	01285	SN7474N
A1A6U21	1820-1433	8		IC SHF-RGTR TTL LS R-5 SERIAL-IN PRL-OUT	01285	SN74LS184N
A1A6U22	1820-1433	8		IC SHF-RGTR PRL LS R-5 SERIAL-IN PRL-OUT	01285	SN74LS184N
A1A6U23	1820-0328	8		IC GATE TTL NAND QUAD 2-IMP	01285	SN7400N
A1A6U24	1820-0354	8		IC GATE TTL NAND QUAD 2-IMP	01285	SN7400N
A1A6U25	1820-0328	8		IC GATE TTL NOR QUAD 2-IMP	01285	SN7402N
A1A6U26	1820-1438	1		IC MUX/DATA-SEL TTL LS 2-TO-1-LINE QUAD	01285	SN74LS257P4
A1A6U27	1820-2888	8		IC GATE TTL ALS AND TPL 3-IMP	01285	SN74ALS11P3
A1A6U28	1820-0688	1		IC GATE TTL NAND TPL 3-IMP	01285	SN7410N
A1A6U29	1820-0688	1		IC GATE TTL NAND QUAD 2-IMP	01285	SN7400N
A1A6U30	1820-0511	8		IC GATE TTL AND QUAD 2-IMP	01285	SN7408N
A1A6U31	1820-2888	8		IC GATE TTL ALS AND TPL 3-IMP	01285	SN74ALS11P3
A1A6U32	1820-0328	8		IC GATE TTL NOR QUAD 2-IMP	01285	SN7402N
A1A6U33	1820-1187	9		IC GATE TTL LS NAND QUAD 2-IMP	01285	SN74LS00N
A1A6U34	1820-0688	1		IC GATE TTL NAND TPL 3-IMP	01285	SN7410N
A1A6U35	1820-1300	8		IC SHF-RGTR TTL LS R-5 PRL-IN PRL-OUT	01285	SN74LS185P
A1A6U36	1820-1300	8		IC SHF-RGTR TTL LS R-5 PRL-IN PRL-OUT	01285	SN74LS185P
A1A6U37	1820-1300	8		IC SHF-RGTR TTL LS R-5 PRL-IN PRL-OUT	01285	SN74LS185P
A1A6U38	1820-0354	8		IC GATE TTL NAND QUAD 2-IMP	01285	SN7400N
A1A6U39	1820-0354	8		IC GATE TTL NAND QUAD 2-IMP	01285	SN7400N
A1A6U40	1820-0861	0		IC GATE TTL OR QUAD 2-IMP	01285	SN74LS32N
A1A6U41	1820-1187	8		IC GATE TTL LS NAND QUAD 2-IMP	01285	SN74LS00N
A1A6U42	1820-1202	7		IC GATE TTL LS NAND TPL 3-IMP	01285	SN74LS10N
A1A6U43	1820-0354	8		IC GATE TTL NAND QUAD 2-IMP	01285	SN7400N
A1A6U44	1820-0354	8		IC GATE TTL NAND QUAD 2-IMP	01285	SN7400N
A1A6U45	1820-1300	8		IC SHF-RGTR TTL LS R-5 PRL-IN PRL-OUT	01285	SN74LS185P
A1A6U46	1820-1300	8		IC SHF-RGTR TTL LS R-5 PRL-IN PRL-OUT	01285	SN74LS185P
A1A6U47	1820-1300	8		IC SHF-RGTR TTL LS R-5 PRL-IN PRL-OUT	01285	SN74LS185P
A1A6U48	1820-0511	8		IC GATE TTL AND QUAD 2-IMP	01285	SN7408N
A1A6U49	1820-0174	0		IC INV TTL HEX	01285	SN7404N

See introduction to this section for ordering information.

* Indicates factory selected value

P/O Table 6-3. Replaceable Parts (P/O CHANGE IS)

Reference Designation	HP Part Number	C D	Qty	Description	Mfr Code	Mfr Part Number
ALAA	08660-80382	7		BOARD ASSEMBLY, REGISTER "A"	28480	08660-80382
ALABC1	0180-0187	8		CAPACITOR-FXD 2.2UF +-10% 20VDC TA	58288	150D225X8020R2
ALABC2	0180-0187	8		CAPACITOR-FXD 2.2UF +-10% 20VDC TA	58288	150D225X8020R2
ALABC3	0180-0187	8		CAPACITOR-FXD 2.2UF +-10% 20VDC TA	58288	150D225X8020R2
ALABC4	0180-0187	8		CAPACITOR-FXD 2.2UF +-10% 20VDC TA	58288	150D225X8020R2
ALABU1	1820-1438	1		IC MUXR/DATA-SEL TTL LS 2-TO-1-LINE QUAD	01295	SN74LS257P4
ALABU2	1820-1822	8		IC SW-RGTR TTL LS R-5 PRL-IN SERIAL-OUT	01295	SN74LS186P1
ALABU3	1820-1300	8		IC SW-RGTR TTL LS R-5 PRL-IN PRL-OUT	01295	SN74LS185P
ALABU4	1820-1300	8		IC SW-RGTR TTL LS R-5 PRL-IN PRL-OUT	01295	SN74LS185P
ALABU5	1820-1300	8		IC SW-RGTR TTL LS R-5 PRL-IN PRL-OUT	01295	SN74LS185P
ALABU6	1820-1300	8		IC SW-RGTR TTL LS R-5 PRL-IN PRL-OUT	01295	SN74LS185P
ALABU7	1820-1300	8		IC SW-RGTR TTL LS R-5 PRL-IN PRL-OUT	01295	SN74LS185P
ALABU8	1820-1822	8		IC SW-RGTR TTL LS PRL-IN SERIAL-OUT	01295	SN74LS186P1
ALABU9	1820-1822	8		IC SW-RGTR TTL LS PRL-IN SERIAL-OUT	01295	SN74LS186P1
ALABU10	1820-1822	8		IC SW-RGTR TTL LS PRL-IN SERIAL-OUT	01295	SN74LS186P1
ALABU11	1820-0054	8		IC GATE TTL NAND QUAD 2-IMP	01295	SN7400N
ALABU12	1820-0054	8		IC GATE TTL NAND QUAD 2-IMP	01295	SN7400N
ALABU13	1820-0054	8		IC GATE TTL NAND QUAD 2-IMP	01295	SN7400N
ALABU14	1820-2889	8		IC GATE TTL ALS AND TPL 3-IMP	01295	SN74ALS1P3
ALABU15	1820-0305	8		IC ADDR TTL FULL ADDER 4-BIT	01295	SN7483AN
ALABU16	1820-1470	1		IC MUXR/DATA-SEL TTL LS 2-TO-1-LINE QUAD	01295	SN74LS257P4
ALABU17	1820-2889	8		IC GATE TTL ALS AND TPL 3-IMP	01295	SN74ALS1P3
ALABU18	1820-0174	8		IC INV TTL HEX	01295	SN7404N
ALABU19	1820-0054	8		IC GATE TTL NAND QUAD 2-IMP	01295	SN7400N

See introduction to this section for ordering information.

* Indicates factory selected value

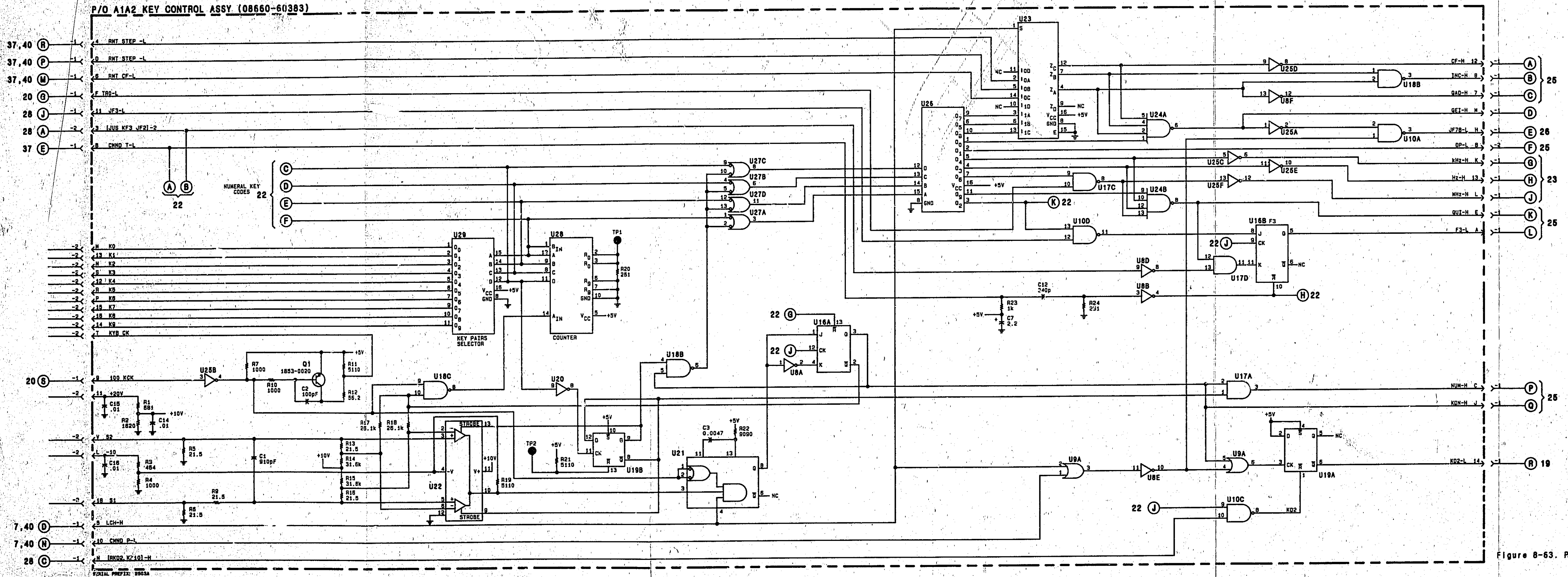


Figure 8-63. P/O A1A2 Keyboard Control Schematic (Part 1) (CHANGE 15)

P/O A1A2 KEY CONTROL ASSY (08660-60383)

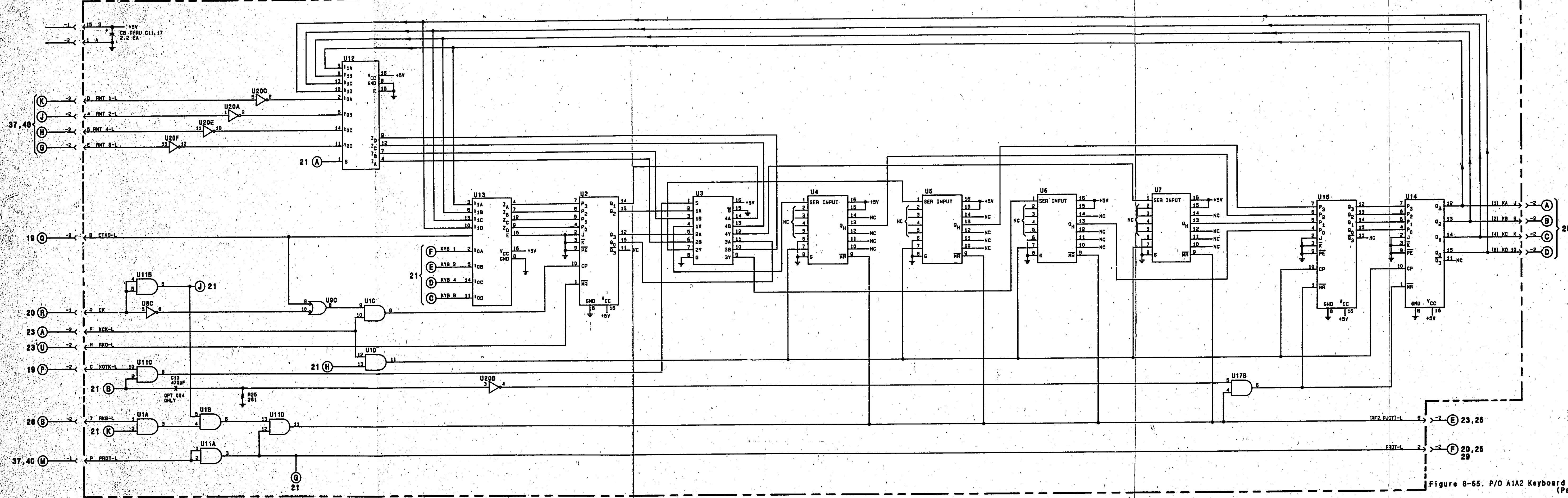


Figure 8-65. P/O A1A2 Keyboard Control Schematic (Part 2) (CHANGE 15)

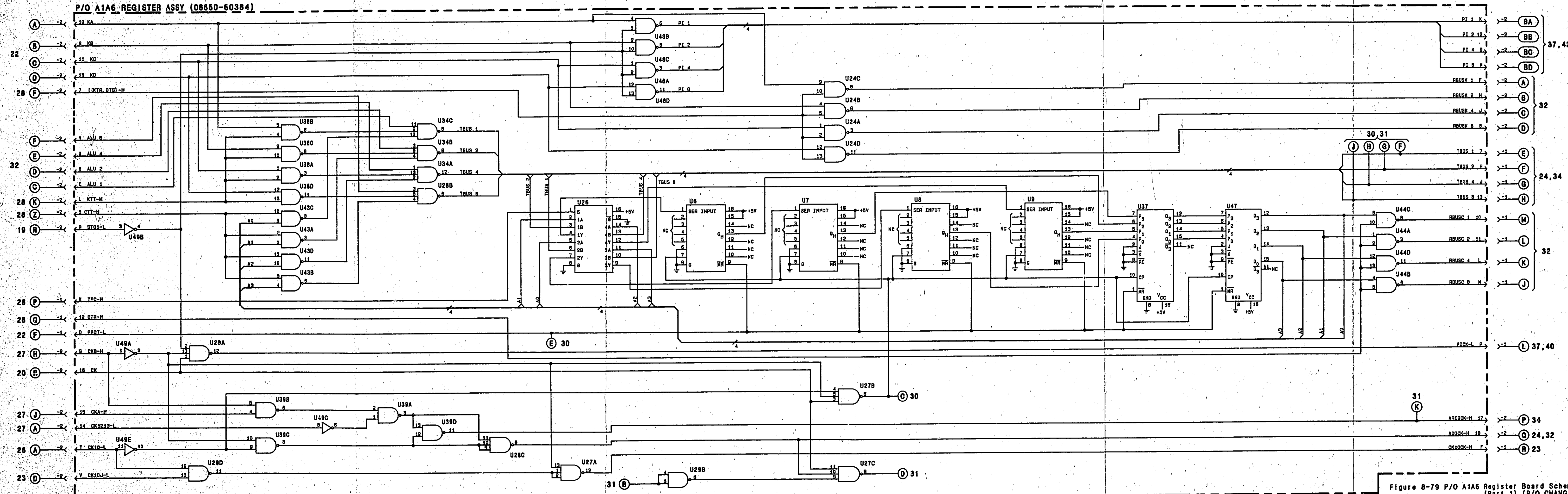


Figure 8-79 P/O A1A6 Register Board Schematic (Part 1) (P/O CHANGE 15)

P/O A1A6 REGISTER ASSY (08660-60384)

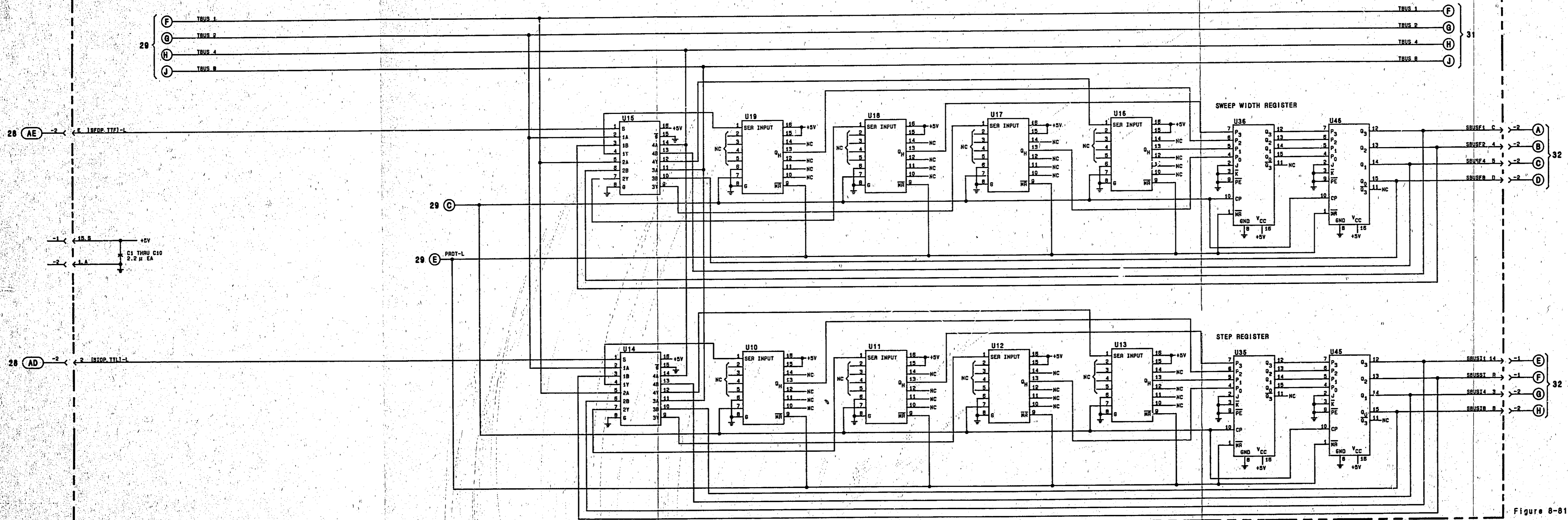
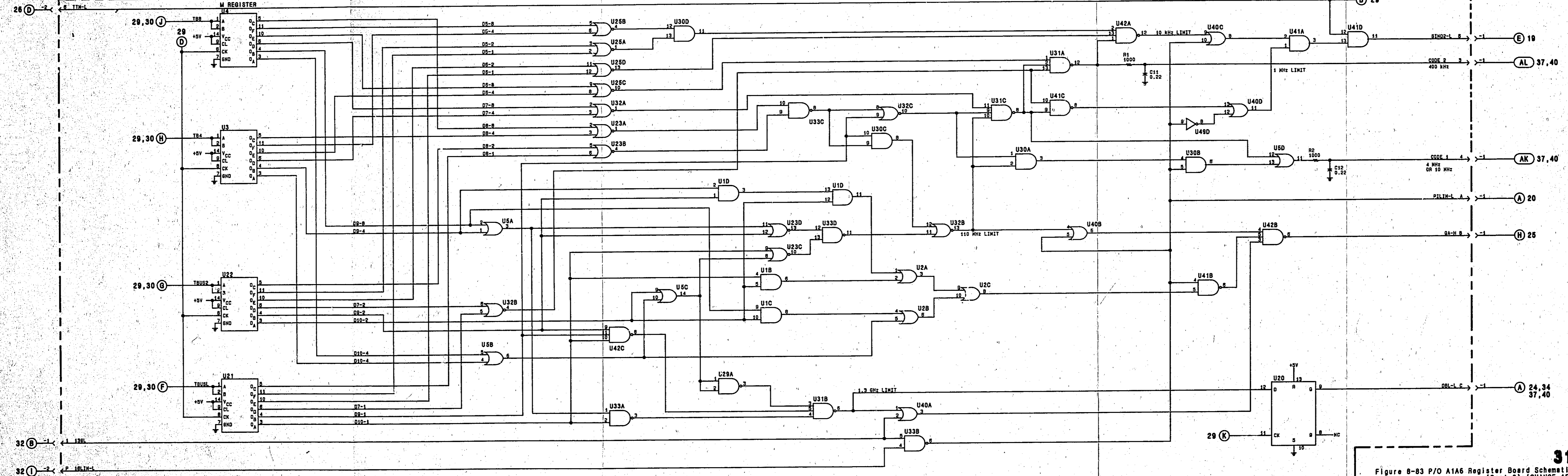


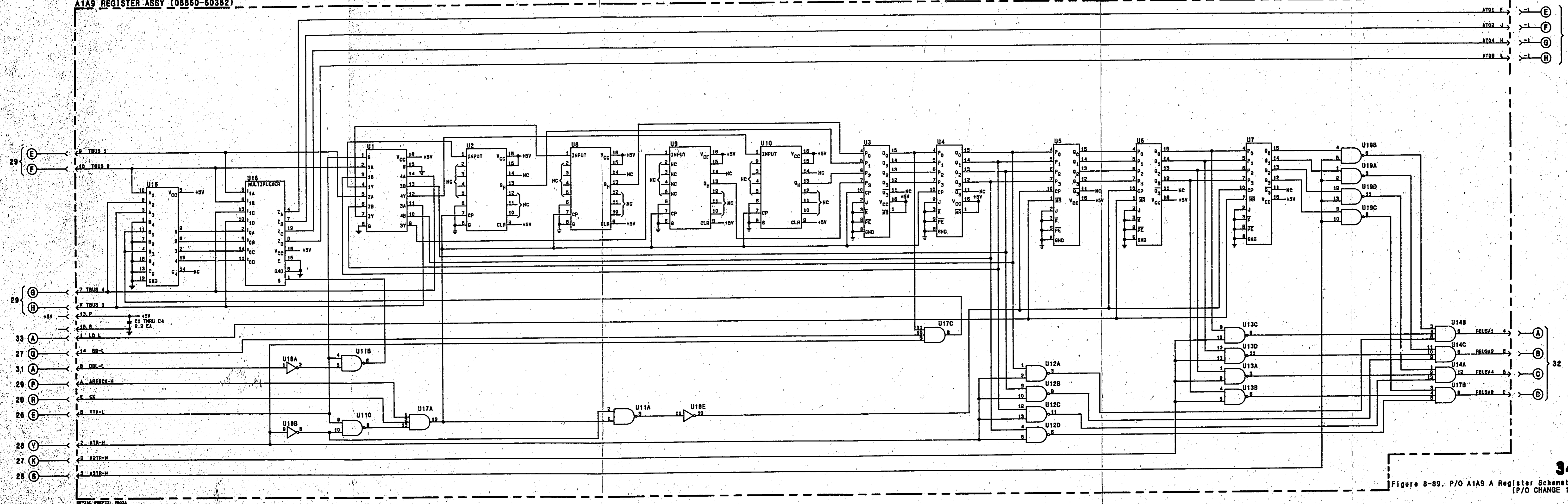
Figure 8-81 P/O A1A6 Register Board Schematic (Part 2) (P/O CHANGE 15)

P/O A1A6 REGISTER ASSY (08660-60384)



31
Figure 8-83 P/O A1A6 Register Board Schematic (Part 3) (CHANGE 15)

A1A9 REGISTER ASSY (08660-60382)



35

32

34

Figure 8-89. P/O A1A9 A Register Schematic (P/O CHANGE 15)