

HP87

AMS  
↑

- 1
- 2 -12V
- 2 Gnd
- 2 Gnd
- 2 Gnd
- 2 Gnd
- 2 Gnd
- 2 Gnd
- 2 Gnd
- 2 +12VL
- 2 +12VL
- 2 -5V
- 2 +5V
- 2 +5V
- 2 +5V
- 2 +5V
- 2 +6V
- 2 +120M
- 2 +120M
- 2 +120H
- 2 +120H
- 2 +120H
- 2 +120H
- 2 +120H
- 2 Vh
- 2 Vid bias
- 2 PSUSync

- 2 φ2
- 2 Gnd
- 2 φ1
- 2 Gnd
- 2 B0
- 2 Gnd
- 2 B2
- 2 Gnd
- 2 B4
- 2 Gnd
- 2 B6
- 2 Gnd
- 2 Rd
- 2 Wr
- 2 Gnd
- 2 TRL
- 2 Gnd
- 2 KeyPRIL
- 2 +5V
- 2 Pwo
- 2 +5V
- 2 +6V
- 2 -12V
- 2 Spkr

- 2 Gnd
- 2 φ2c
- 2 Gnd
- 2 φ12
- 2 Gnd
- 2 B1
- 2 Gnd
- 2 B3
- 2 Gnd
- 2 B5
- 2 Gnd
- 2 B7
- 2 Gnd
- 2 LMA
- 2 Gnd
- 2 Halt
- 2 +5V
- 2 +5V
- 2 +5V
- 2 Rdy
- 2 -5V
- 2 +12VL
- 2 +12VL
- 2 +12VL

PSU → Logic1

Logic1 → Logic2

- 1
- 2 -5V
- 2 +5V
- 2 +6V
- 2 +120H
- 2 +120H
- 2 +120H
- 2 +120H
- 2 +120H
- 2 +120H
- 2 +120H
- 2 Video
- 2 Vert
- 2 Horiz

Logic1 → Video

E45  
↑

HP87

Top  
↑

- ↳ R0
- ↳ R1
- ↳ R2
- ↳ R3
- ↳ R4
- ↳ R5
- ↳ R6
- ↳ R7
- ↳ R8
- ↳ R9
- ↳ Gnd

- ↳ C5
- ↳ C6
- ↳ C7
- ↳ KC
- ↳ C4
- ↳ C3
- ↳ C2
- ↳ C1
- ↳ C0
- ↳ KCL
- ↳ K5

- ↳ Gnd
- ↳ φ21
- ↳ Gnd
- ↳ φ12
- ↳ Gnd
- ↳ B1X
- ↳ Gnd
- ↳ B3X
- ↳ Gnd
- ↳ B5X
- ↳ Gnd
- ↳ B7X
- ↳ Gnd
- ↳ LMAX
- ↳ Gnd
- ↳ HALLX
- ↳ RC
- ↳ +5V
- ↳ ROMDIS
- ↳ +5V
- ↳ Rdy
- ↳ +6V
- ↳ -12V
- ↳ +12VL

- ↳ φ2
- ↳ Gnd
- ↳ φ1
- ↳ Gnd
- ↳ B0X
- ↳ Gnd
- ↳ B2X
- ↳ Gnd
- ↳ B4X
- ↳ Gnd
- ↳ B6X
- ↳ Gnd
- ↳ R1X
- ↳ MAX
- ↳ Gnd
- ↳ TRCX
- ↳ Gnd
- ↳ TRANSPRIL
- ↳ +5V
- ↳ PWD
- ↳ +5V
- ↳ -5V
- ↳ +12VL
- ↳ Spkr

Logic 1 → Keyboard

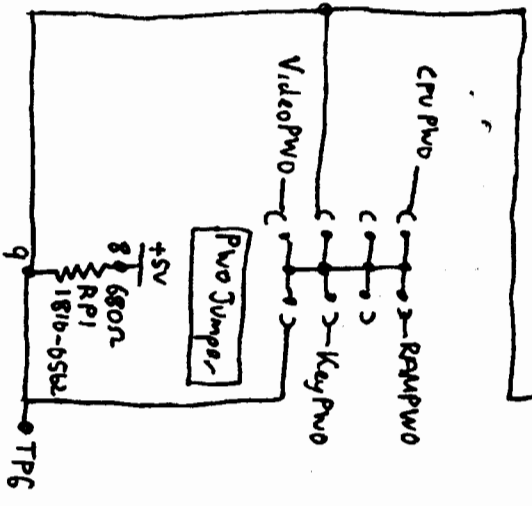
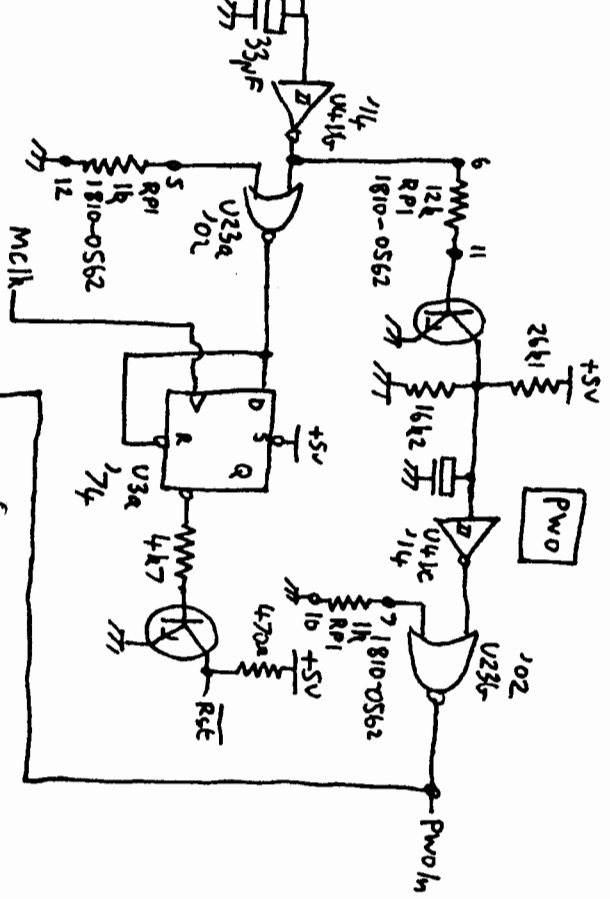
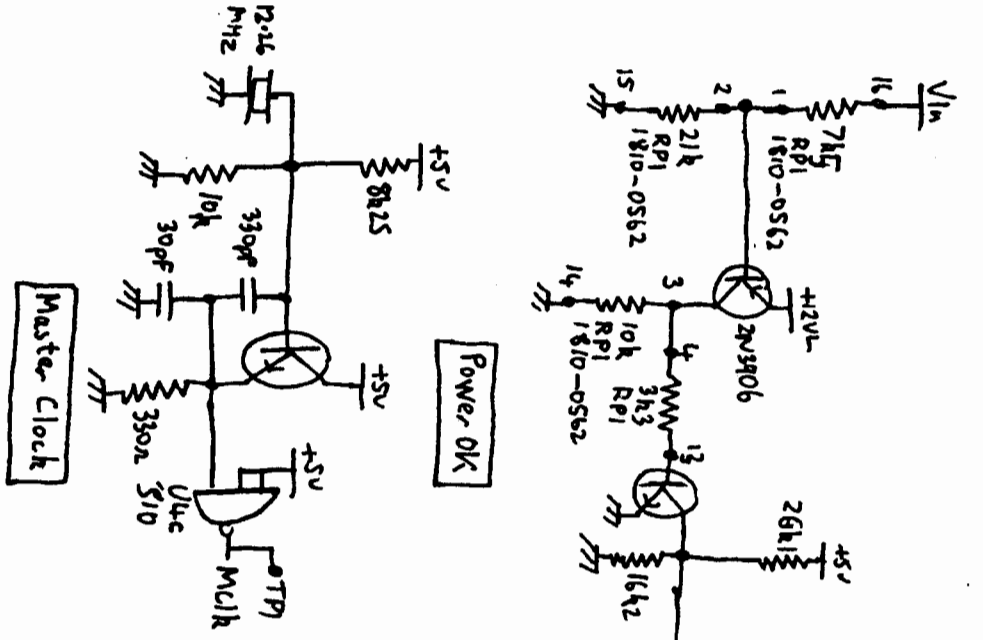
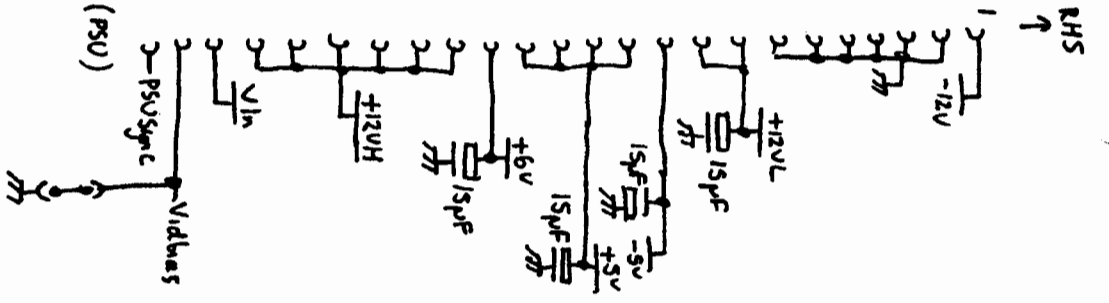
Top  
↑

- ↳ SysCtrl
- ↳ MPiBAddr
- ↳ MPiBAddr3
- ↳ MPiBAddr2
- ↳ MPiBAddr1
- ↳ MPiBAddr0
- ↳ SCL
- ↳ SCI
- ↳ SCO
- ↳ D108
- ↳ D107
- ↳ D106
- ↳ D105
- ↳ D104
- ↳ D103
- ↳ D102
- ↳ D101

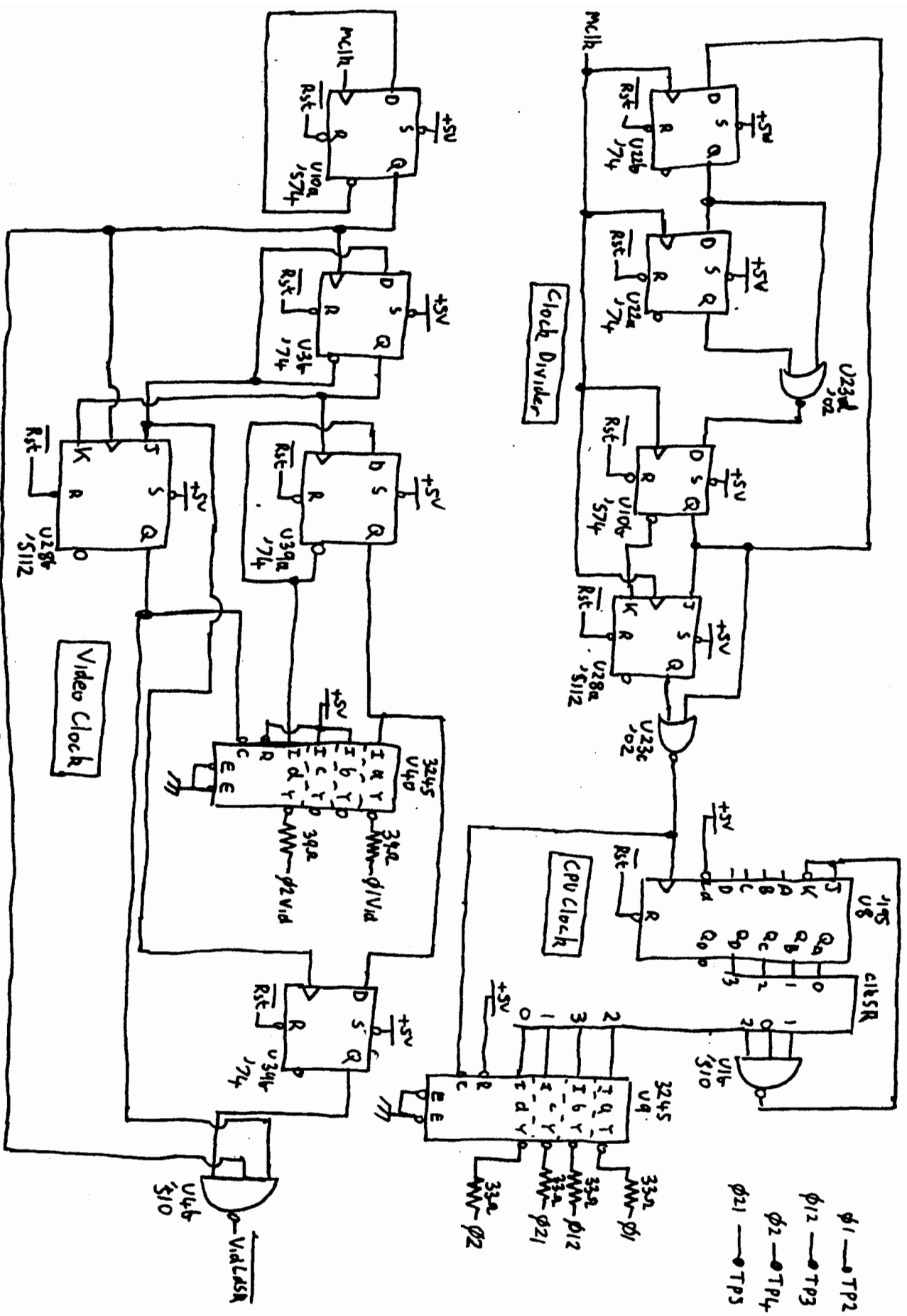
- ↳ ATN
- ↳ Gnd
- ↳ SRQ
- ↳ Gnd
- ↳ IFC
- ↳ Gnd
- ↳ NOAC
- ↳ Gnd
- ↳ NRFD
- ↳ Gnd
- ↳ DAV
- ↳ Gnd
- ↳ EOI
- ↳ Gnd
- ↳ REN
- ↳ Gnd
- ↳ PPOL

Logic 2 → I/O Backplane

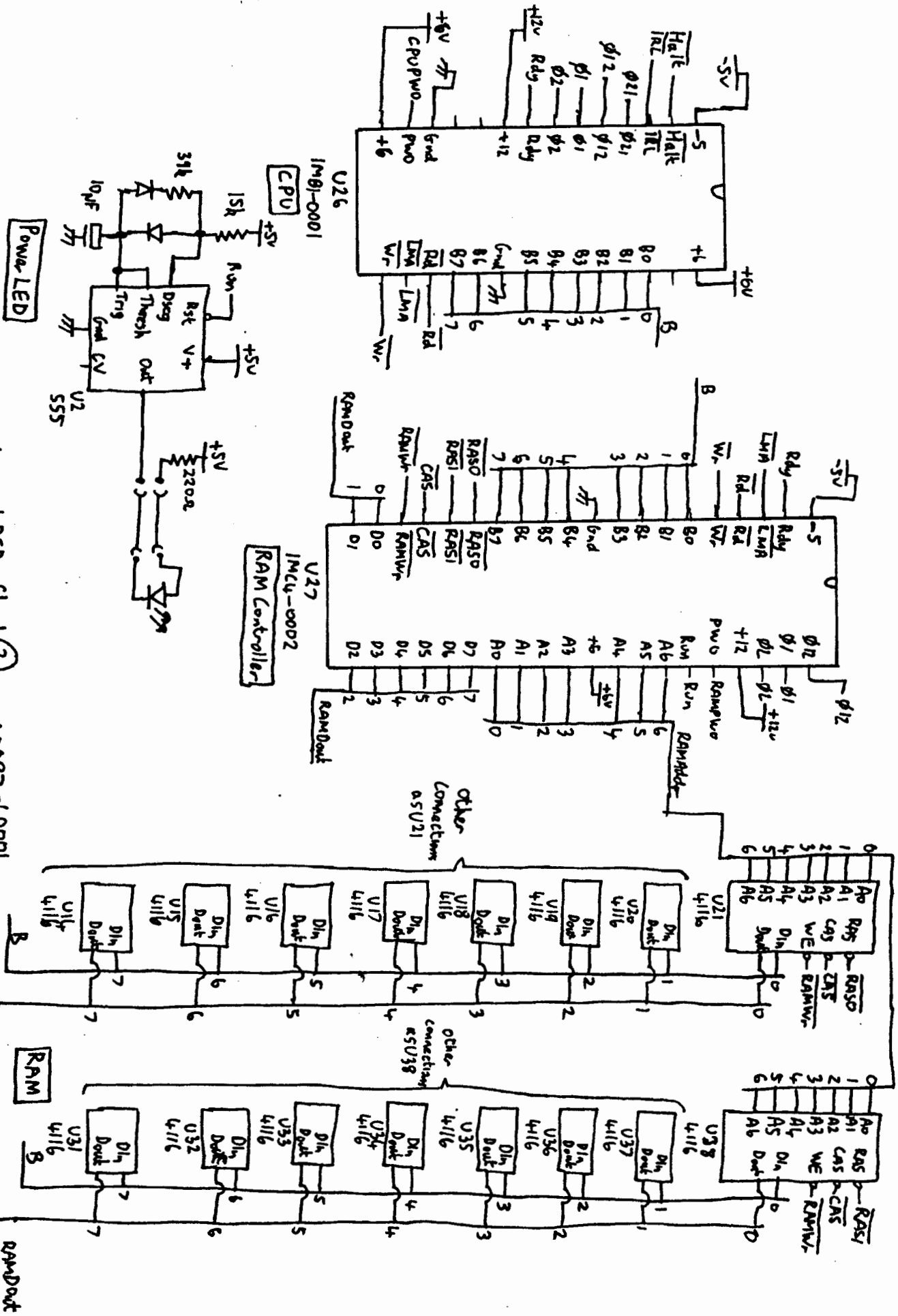
Logic 2 → MPiB



HP87 Logic 1 PCB Sheet ① 00087-60001



- φ1 — TP2
- φ12 — TP3
- φ2 — TP4
- φ21 — TP5



HP87 Logic PCB sheet 3

00087-60001

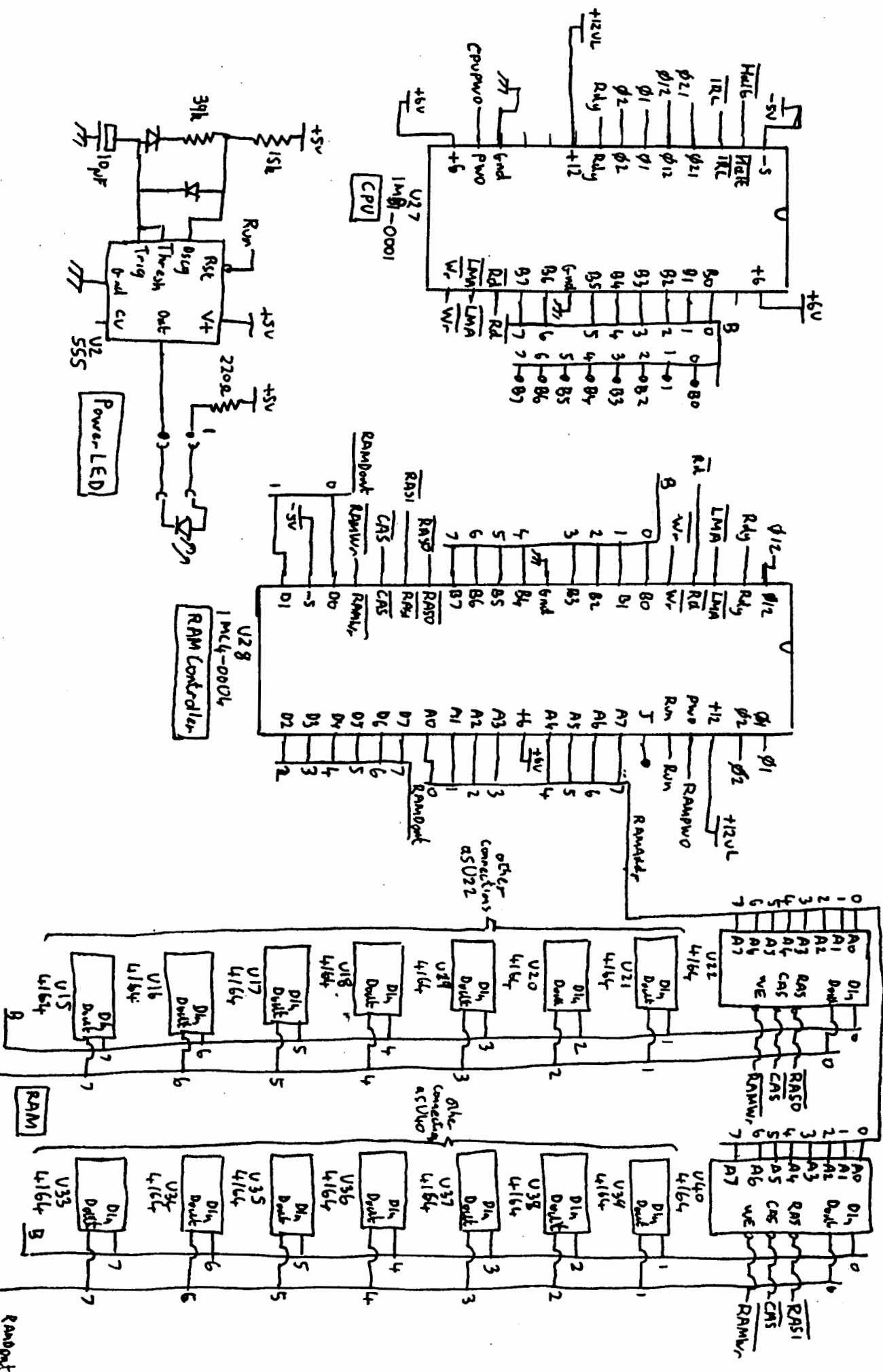






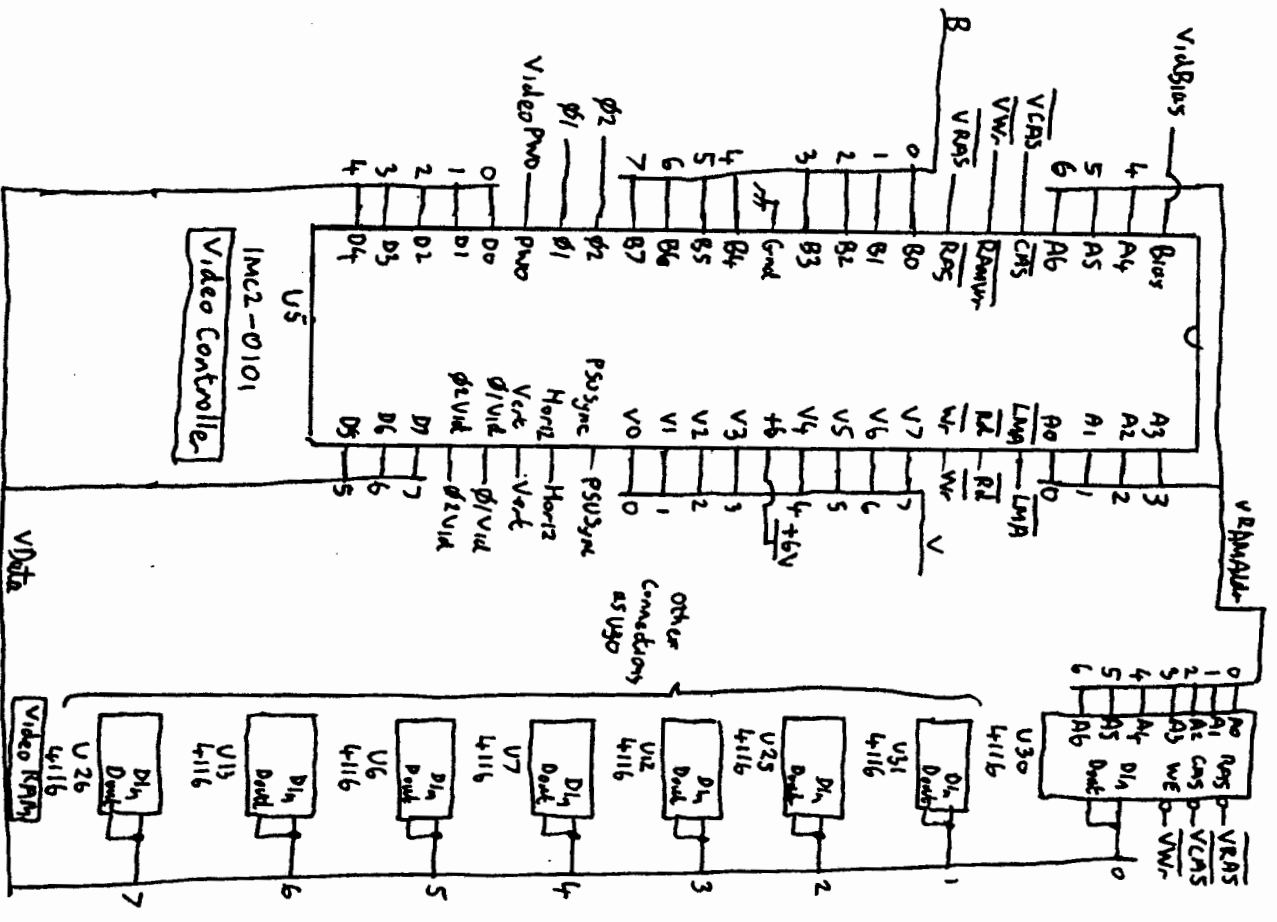


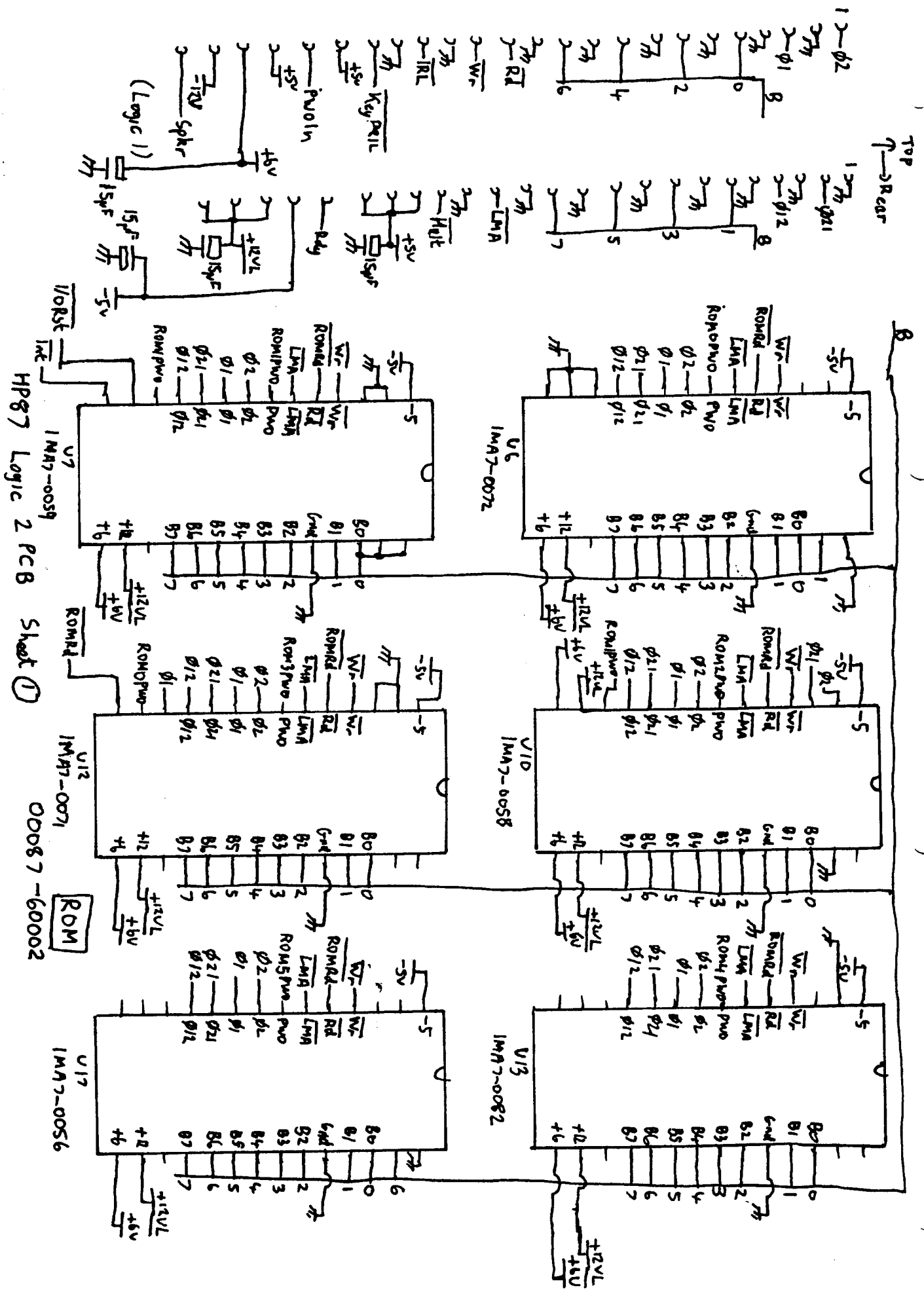




HP87XM Logic 1 PCB Sheet ③ 00087-60056

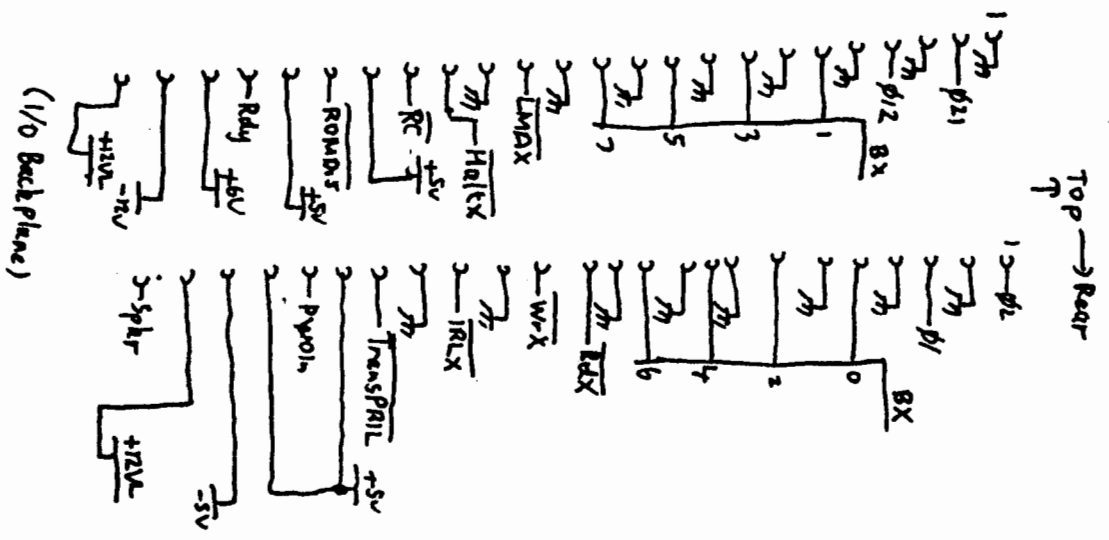
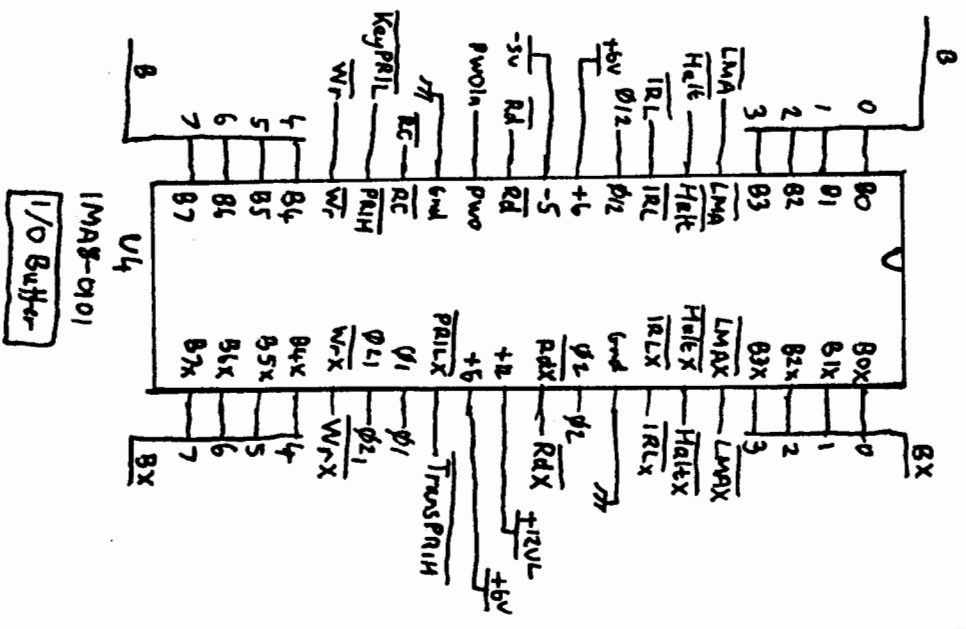
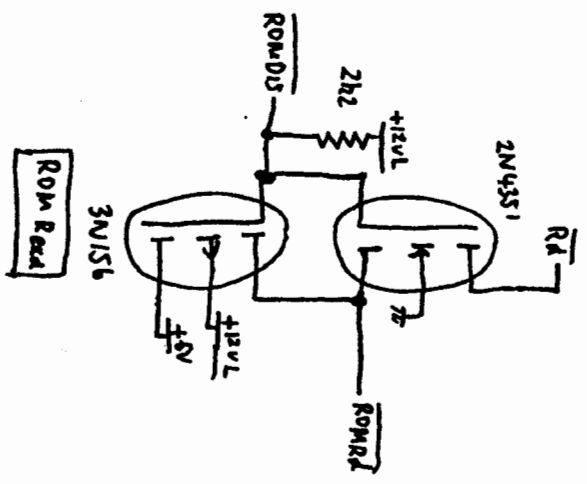
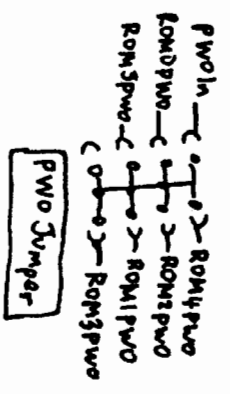


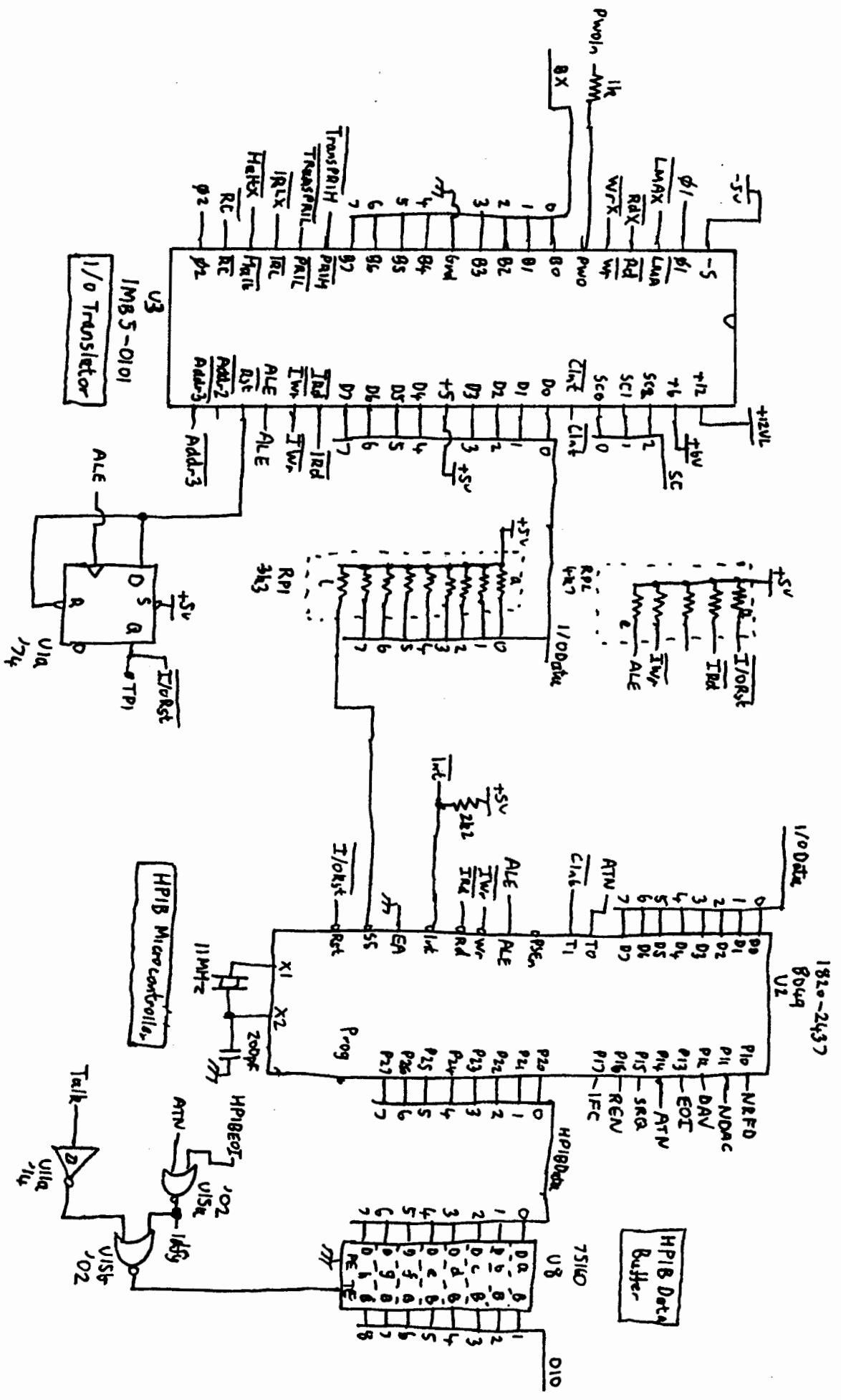




HP87 Logic 2 PCB Sheet 1

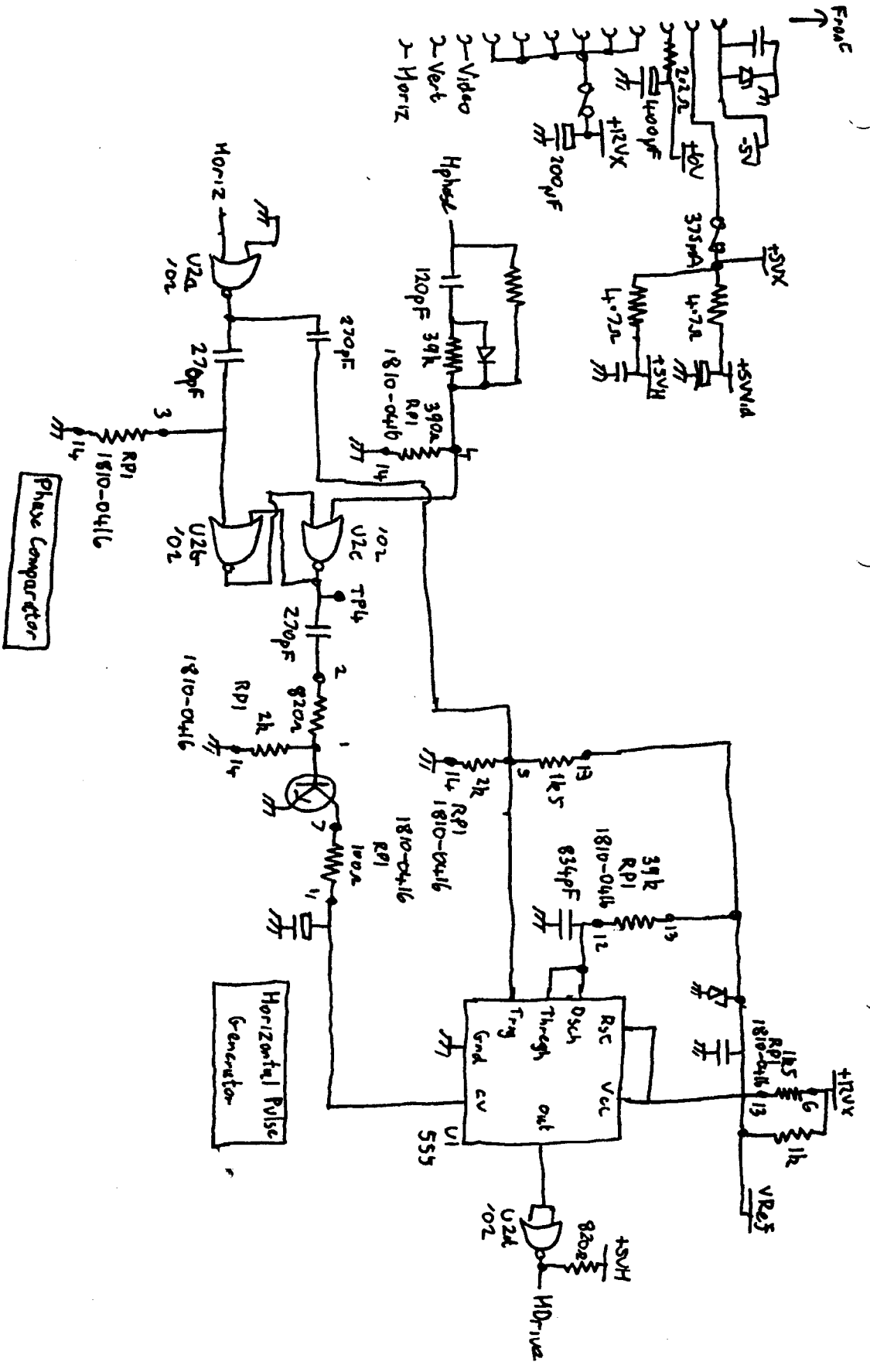
00087-60002





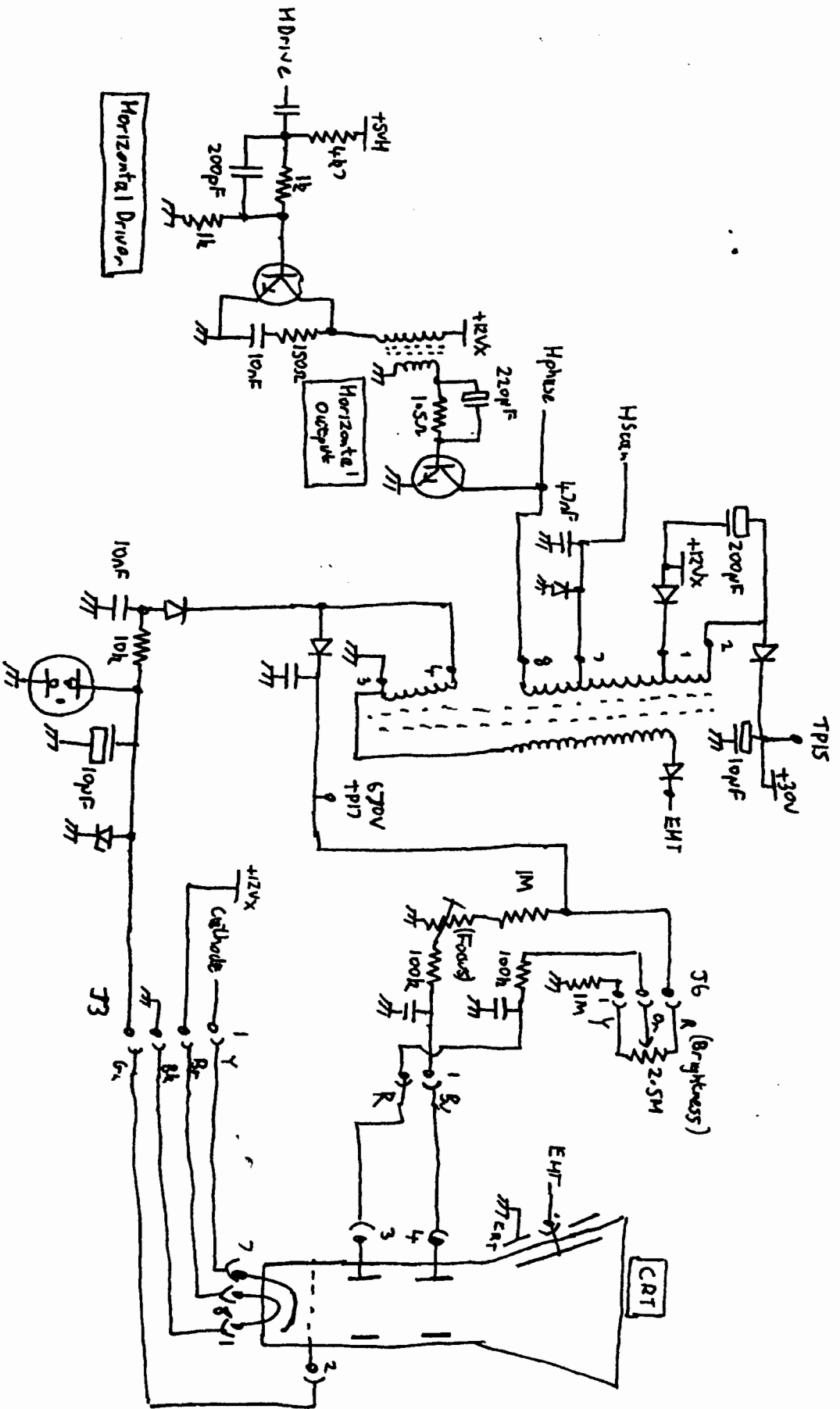




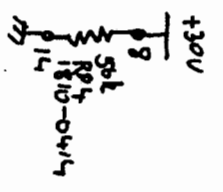
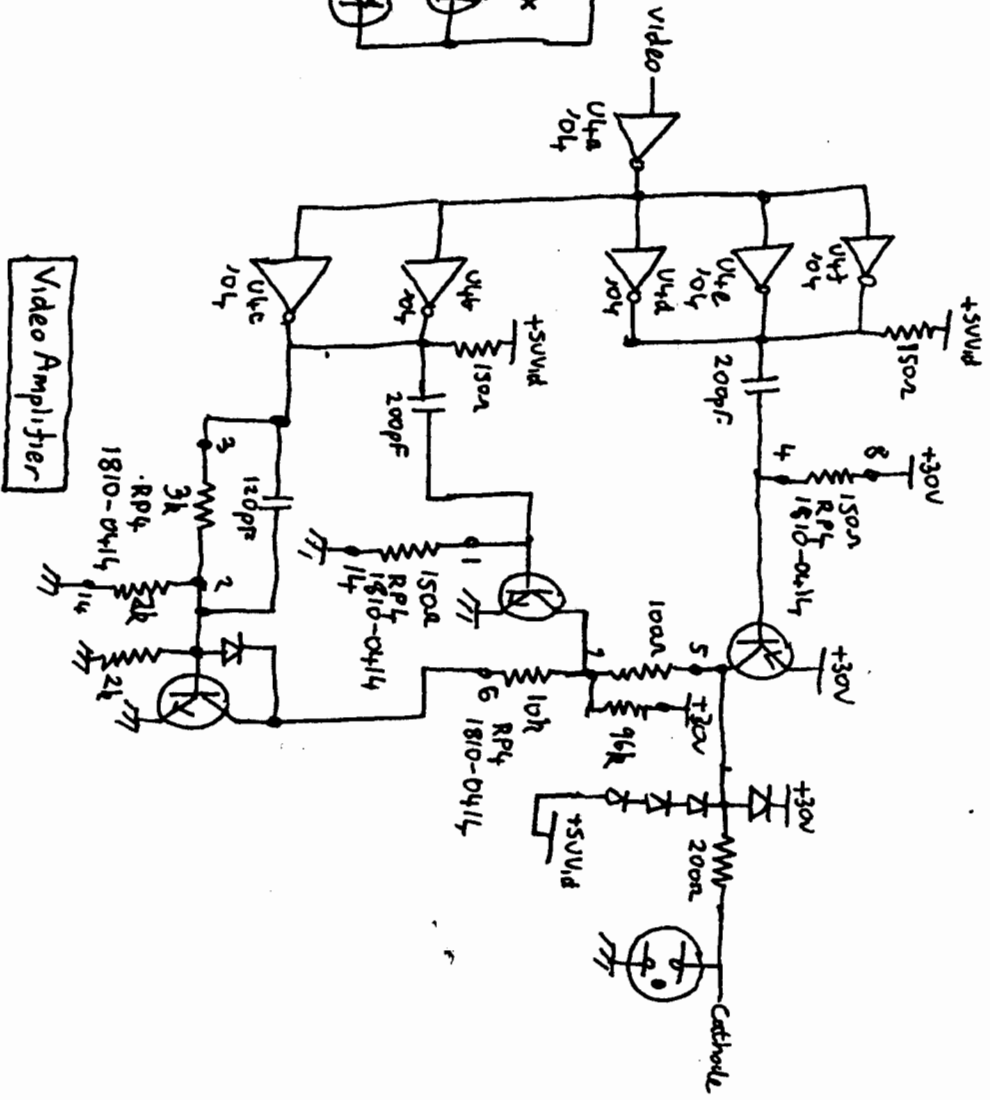
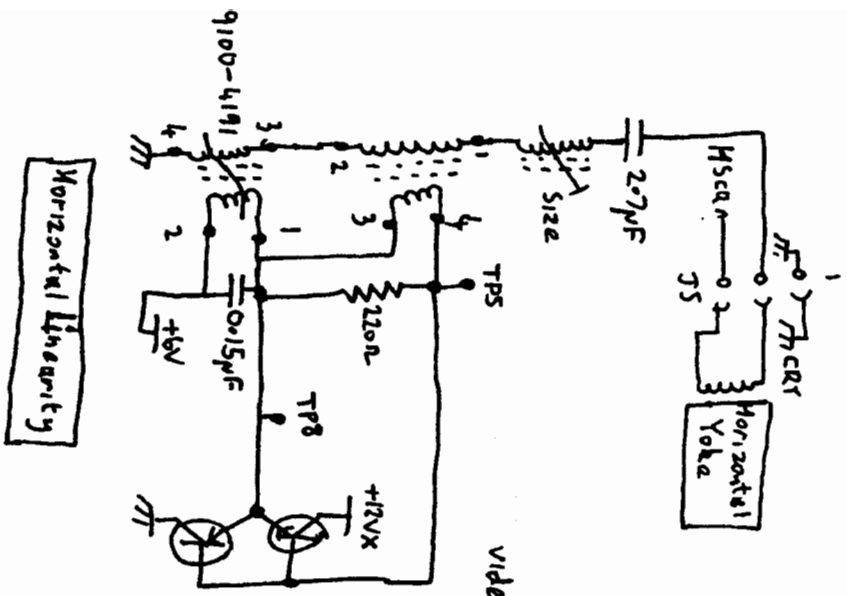


HP87 Video PCB Sheet 1

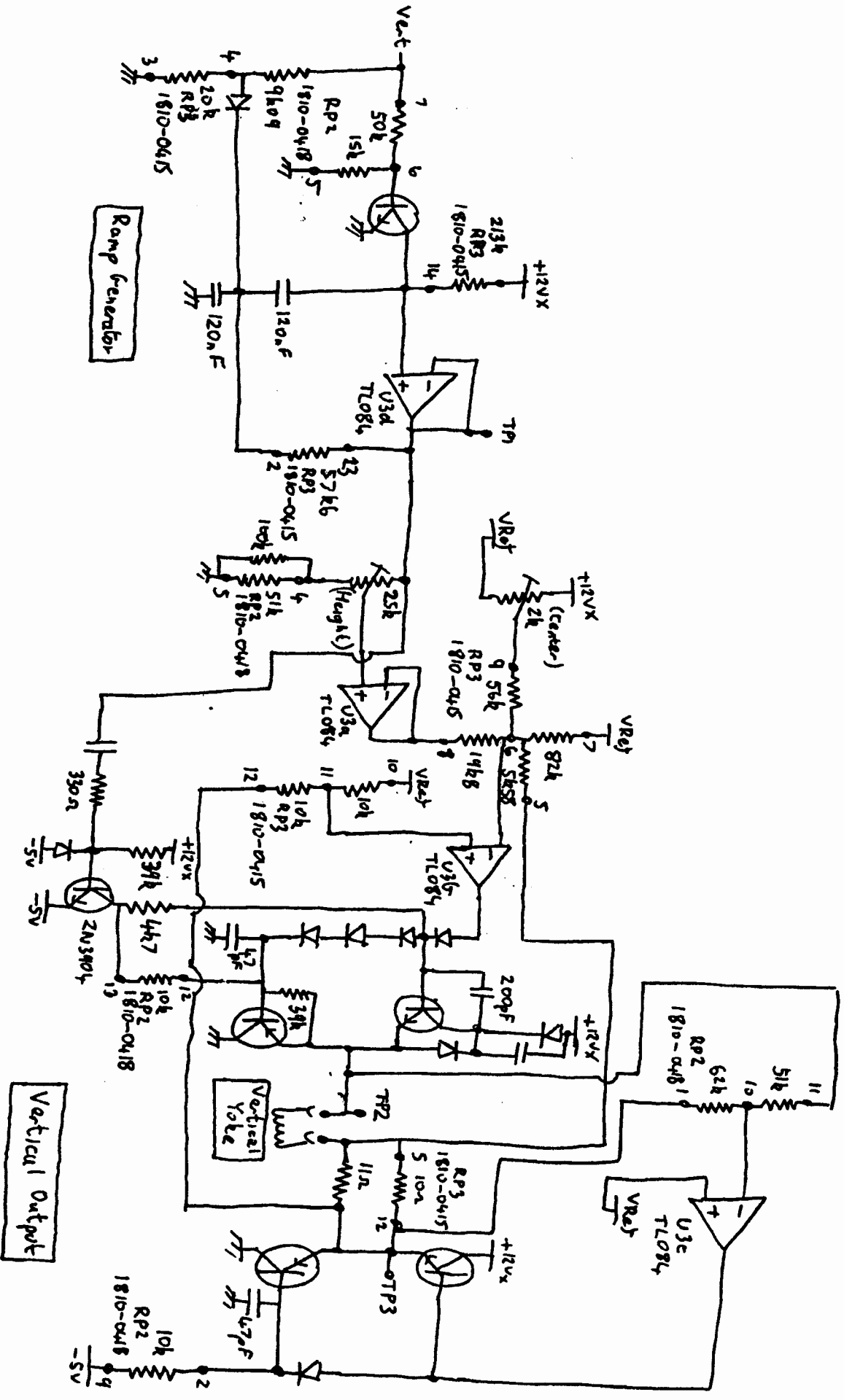
00087-69003



HP87 Video PCB Sheet ② 00087-60003



HP87 Video PCB Sheet ③ 00087-69003



HP87 Video PCB Sheet (4) 00097-69003

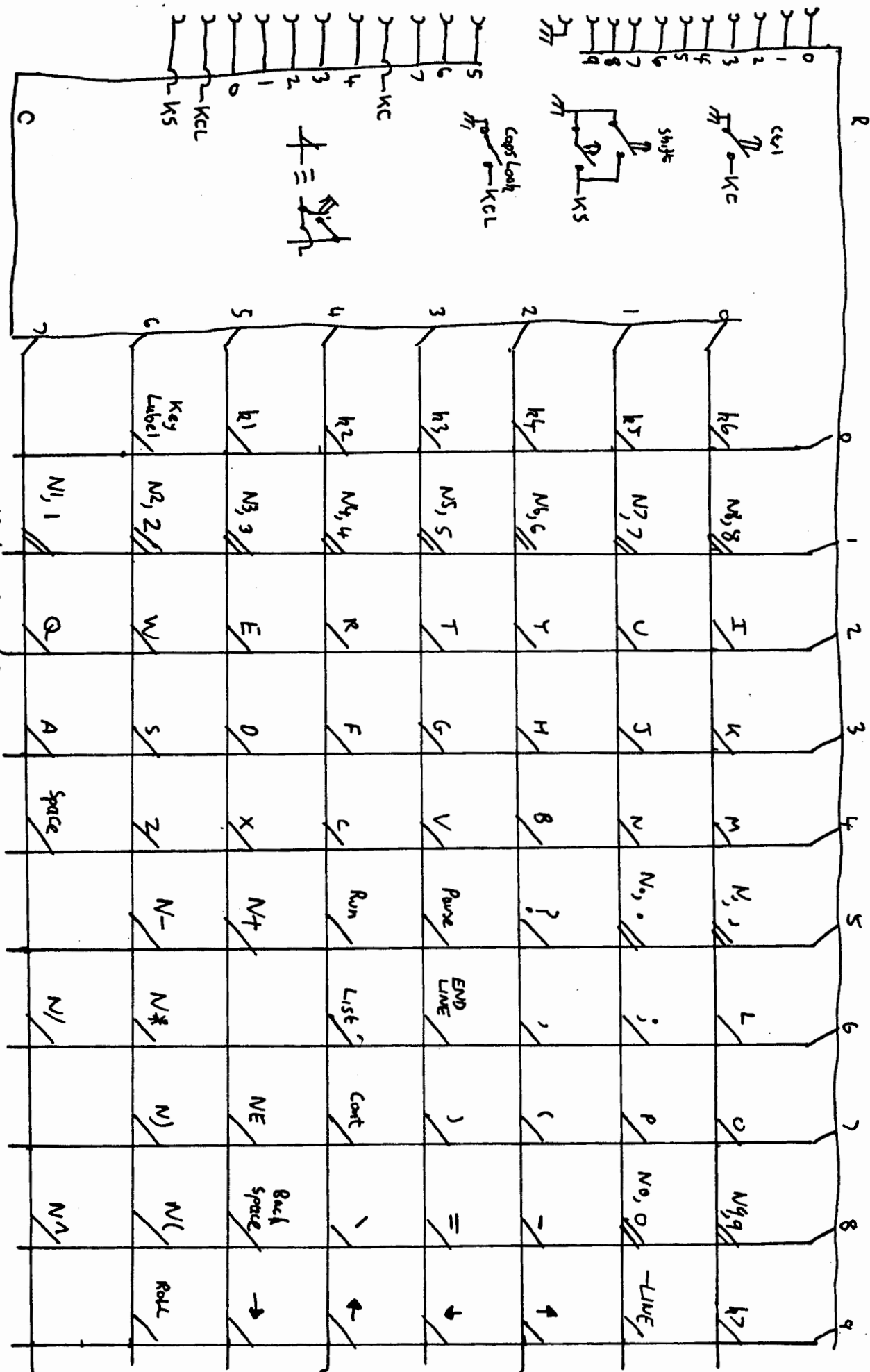






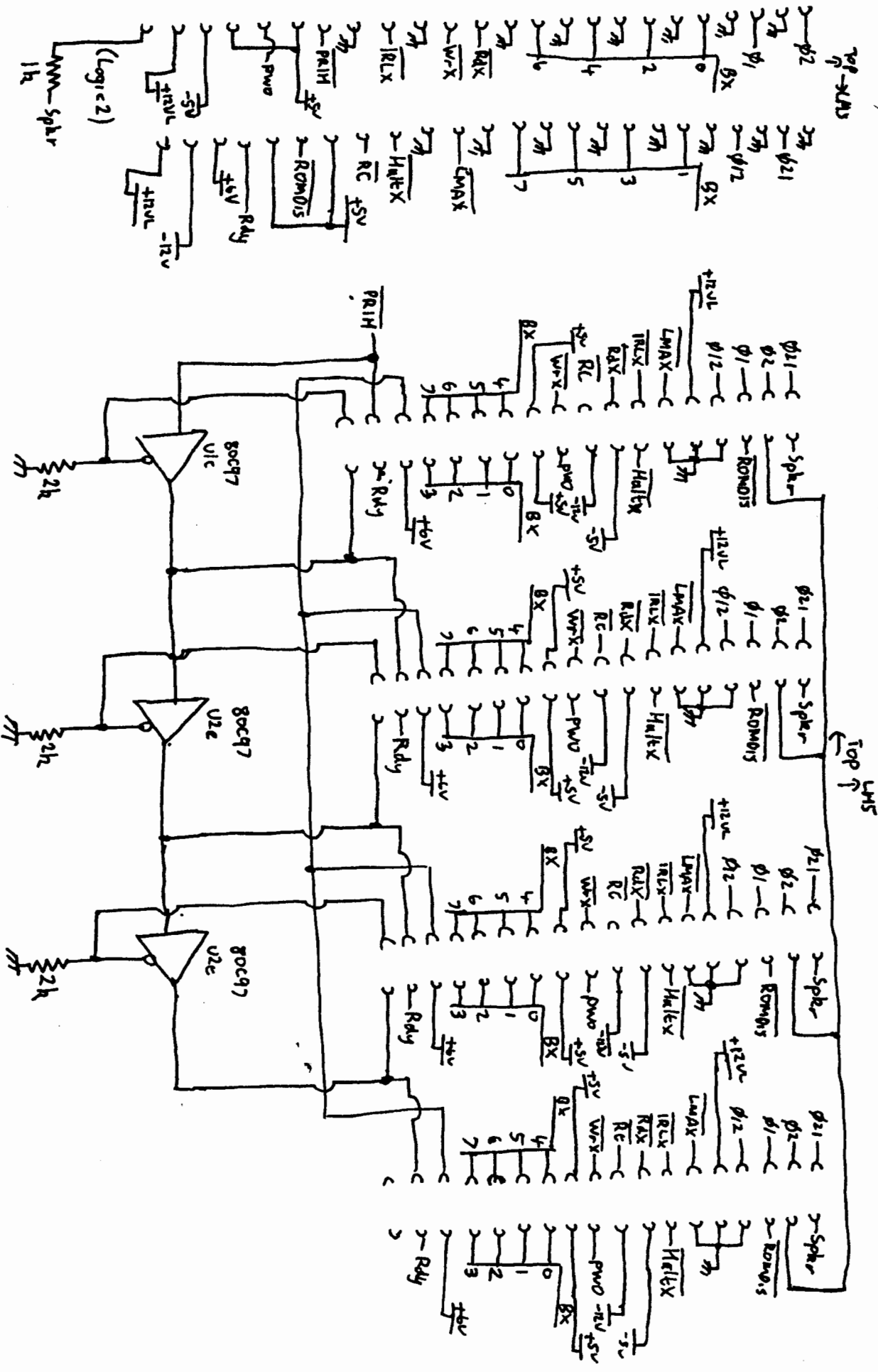






HP87 Keyboard

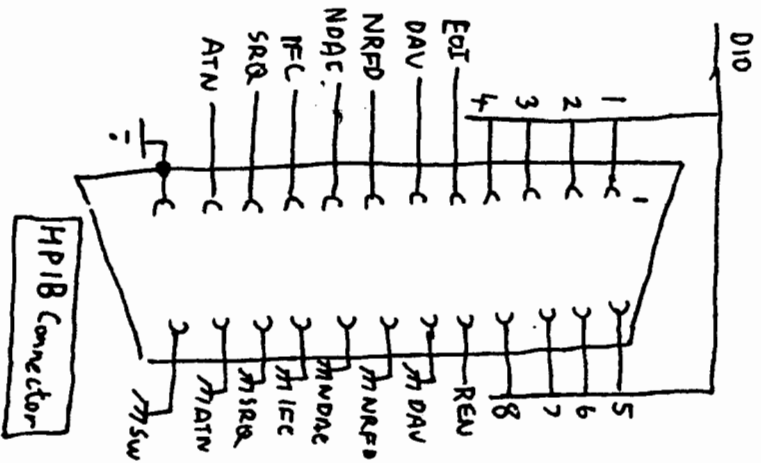
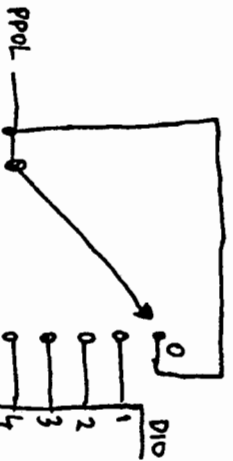
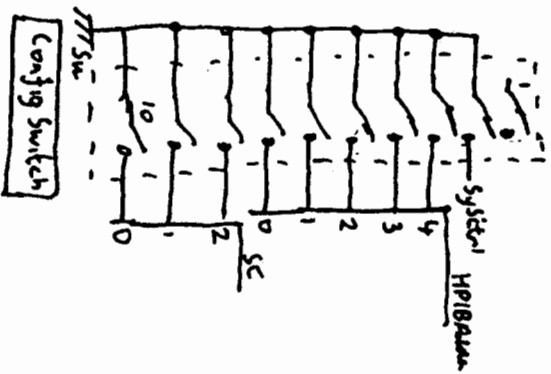
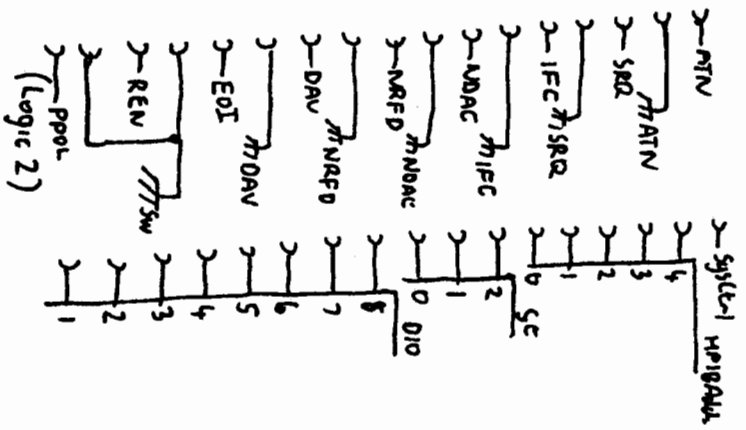
00087-60005



HP87 I/O Backplane

00087-60006

Top  
 ↓ → LHS



HP87 HP18 Connector PCB

00087-60007