

Order Number EK-VS31M-MG.002

**Digital Equipment Corporation**

**First Edition, 1990**  
**Second Edition, May 1991**

**FCC NOTICE:** The equipment described in this manual generates, uses, and may emit radio frequency energy. The equipment has been type tested and found to comply with the limits for a Class A computing device pursuant to Subpart J of Part 15 of FCC Rules, which are designed to provide reasonable protection against such radio frequency interference when operated in a commercial environment. Operation of this equipment in a residential area may cause interference, in which case the user at his own expense may be required to take measures to correct the interference.

The following are trademarks of Digital Equipment Corporation: DEC, DEC/CMS, DEC/MMS, DECnet, DECstation 5000, DECsystem-10, DECsystem-20, DECUS, DECwriter, DIBOL, EDUSYSTEM, IAS, IVIS, MASSBUS, VAX, VAXcluster, PDP, RSTS, RX, ThinWire, TK50, ULTRIX, ULTRIX-32, UNIBUS, VMS, VR160, VT, and the digital logo.

UNIX is a registered trademark of American Telephone & Telegraph Company.  
Velcro is a trademark of Velcro USA, Inc.

This document was prepared and published by Educational Services Development and Publishing, Digital Equipment Corporation.

# Contents

---

<b>About This Manual</b>	ix
<b>1 Testing</b>	
1.1 Running Power-Up Tests	2
1.1.1 Power-Up Test Codes	3
1.2 Running a Self-Test	5
1.2.1 Self-Test with Loopback Connectors	5
1.2.2 Self-Test Codes	6
1.3 Running System Exerciser Diagnostics	6
1.3.1 System Exerciser Diagnostic Commands	7
1.3.2 System Exerciser Codes	7
<b>2 Troubleshooting</b>	
2.1 Troubleshooting Procedures	9
2.2 TEST B — Memory (4 Mbyte DSIMM)	9
2.2.1 Additional MEM Information	10
2.3 SCSI-A Troubleshooting	12
2.3.1 Running the System Exerciser	15
2.3.2 Power Connector Pinouts	16
<b>3 Utilities</b>	
3.1 Diskette Formatter Utility	20
3.1.1 Diskette Formatter Messages	21
3.2 Special Diagnostic Key on Diskettes for Customer Service System Exerciser	25
3.3 RX33 Formatting	27
3.4 Console Password Feature	27

iv Contents

3.4.1	Setting the Password . . . . .	29
3.4.2	Enabling the Password Feature . . . . .	30
3.4.3	Placing the Workstation in Privileged Mode . . . . .	30
3.4.4	Learning the Status of the Password Feature . . . . .	31
3.4.5	Exiting Privileged Mode . . . . .	31
3.5	Utility Differences for the Model 76 . . . . .	31

**4 VAXstation 3100 (Model 76) System**

4.1	System Contents . . . . .	33
4.2	FRU Removal and Replacement . . . . .	36
4.2.1	System Box Cover Removal . . . . .	39
4.2.2	RZ22, RZ23, RZ23L, or RZ24 Disk Drive Removal . . . . .	41
4.2.3	RX23 Disk Drive Removal . . . . .	50
4.2.4	SCSI/FDI Adapter Removal . . . . .	52
4.2.5	Drive Plate Removal . . . . .	55
4.2.6	Graphics Coprocessor Module Removal . . . . .	60
4.2.6.1	Graphics Coprocessor Module 60Hz/66Hz Selection . . . . .	61
4.2.7	Memory SIMM Removal . . . . .	62
4.2.8	System Module Removal . . . . .	64
4.2.9	Internal SCSI Bus Data Cable Removal . . . . .	68
4.2.10	Power Supply Removal . . . . .	69
4.2.11	Keyboard Removal . . . . .	70
4.2.12	Mouse Removal . . . . .	72
4.2.13	Printer Removal . . . . .	72

**A Recommended Spares List**

**B Self-Tests**

B.1	Console's Configuration Display Utility (T 50) . . . . .	77
B.2	NI (test 1) . . . . .	77
B.2.1	TEST 1: . . . . .	78
B.2.2	TEST 2: . . . . .	78
B.2.3	TEST 3: . . . . .	78
B.2.4	TEST 4: . . . . .	79
B.2.5	TEST 5: . . . . .	79

B.2.6	TEST 6: .....	79
B.2.7	TEST 7: .....	79
B.3	COLOR (test 4) .....	80
B.4	SYS (test 5) .....	82
B.5	SCSI-B (test 6) .....	83
B.6	SCSI-A (test 7) .....	93
B.7	IT (test 8) .....	93
B.8	FP (test 9) .....	94
B.9	MEM (test B) .....	94
B.10	DZ (test C) .....	95
B.11	NVR (test D) .....	97
B.12	CLK (test E) .....	97
B.13	MONO (test F) .....	98

## **C System Tests**

C.1	Error and Status Codes for the VS3100 System Test .....	99
C.2	Ethernet Subsystem Status and Error Codes .....	99
C.3	8-Plane Video Option Status and Error Codes .....	101
C.4	SCSI-B Status and Error Codes .....	106
C.5	SCSI-A Status and Error Codes .....	110
C.6	SCSI-A Error Explanations .....	113
C.7	Memory Status and Error Codes .....	115
C.8	DZ Controller Status and Error Messages .....	116
C.9	Monochrome Display Status and Error Codes .....	120

## **D Diagnostic LEDs Definitions**

D.1	Additional LED Information .....	124
-----	----------------------------------	-----

## **Index**

**Examples**

1-1	Power-Up Tests Screen Display . . . . .	2
1-2	Power-Up Tests with Errors . . . . .	2
1-3	Configuration Table (T 50) . . . . .	4
1-4	Running a Self-Test on a SCSI Bus . . . . .	5
2-1	MEM Error Display in the Configuration Table . . . . .	11
2-2	Self-Test Results on the SCSI-A or SCSI-B Bus . . . . .	13
2-3	System Exerciser Results for the SCSI-A Bus . . . . .	16
3-1	Formatting an RX23 Diskette . . . . .	21
3-2	PV_SCS_FMT_ERR# Error Code Breakdown . . . . .	23
3-3	Creating the Special Key on a Diskette . . . . .	26

**Figures**

2-1	Power Connector Pin Voltages on the System Module . . . . .	17
3-1	Time-of-Year Chip . . . . .	28
4-1	VAXstation 3100 Model 76 System Box . . . . .	35
4-2	FRU Locations . . . . .	39
4-3	Cover Screw Locations . . . . .	40
4-4	Configuration 1 . . . . .	41
4-5	Configuration 2 . . . . .	42
4-6	Removing a Disk Drive from Position 1 . . . . .	43
4-7	Removing a Disk Drive from Position 2 . . . . .	44
4-8	Removing an RZ22/RZ23/RZ23L Disk Power and SCSI Cables . . . . .	45
4-9	Removing Drive Module/Frame . . . . .	46
4-10	Setting the SCSI ID on the RZ22, RZ23, and RZ23L . . . . .	48
4-11	Setting the SCSI ID on the RZ24 . . . . .	49
4-12	Removing an RX23 Disk Drive . . . . .	50
4-13	Removing an RX23 Disk Drive Power and SCSI Cables . . . . .	51
4-14	SCSI ID Switch Location . . . . .	53
4-15	SCSI/FDI Module Location . . . . .	54
4-16	Removing the Drive Plate . . . . .	56
4-17	External SCSI Access Panel . . . . .	57
4-18	SCSI Terminator . . . . .	58
4-19	Replacing the Drive Plate . . . . .	59
4-20	Removing the Graphics Coprocessor Module . . . . .	60

4-21	Removing the Graphics Coprocessor Module - Sectional View	61
4-22	Removing Memory Modules	63
4-23	System Module	64
4-24	Removing the System Module	65
4-25	Removing the Ethernet ID ROM	66
4-26	Installing the System Module	67
4-27	Removing the Internal SCSI Bus Data Cable	69
4-28	Power Supply Screw Locations	70
4-29	Keyboard, Mouse, and Printer Removal	71
D-1	LED Layout	124

## Tables

1-1	Power-Up and Self-Test Commands	3
1-2	System Exerciser Diagnostic Commands	8
2-1	Locating a Failed Memory SIMM	12
2-2	SCSI Devices Self-Test Status Codes	14
2-3	System Module Power Connector Voltages	18
3-1	Utilities	19
3-2	Diskette Formatter Messages	21
3-3	T 76 Error Codes for the Diskette Formatter	22
3-4	PV_SCS_FMT_ERR# Command Codes	23
3-5	PV_SCS_FMT_ERR# Error Codes	24
4-1	FRU Section Listings	37
4-2	Monitors	38
4-3	RZ22, RZ23, RZ23L, and RZ24 Jumpers	47
4-4	SCSI/FDI Adapter Switch Settings	52
C-1	SCSI-B Error and Status Summary	108
C-2	SCSI Device Status	109
C-3	SCSI-A Error and Status Summary	112
D-1	Diagnostic LEDs Definitions	121

## About This Manual

---

This guide describes how to troubleshoot, adjust, and repair the VAXstation 3100 Model 76 system to the field replaceable unit (FRU) level. It covers all FRU options presently available for the VAXstation 3100 Model 76 system. The label on the rear of the system box indicates the system you are working on (VS43A-xx).

### Organization

This guide has four chapters and four appendices.

---

<b>Chapter</b>	<b>Description</b>
1	Describes testing procedures for a power-up test, self-test, and system exerciser tests.
2	Describes troubleshooting procedures to help isolate the problem to an FRU.
3	Provides a description of the utilities.
4	Describes the Model 76 system, gives a system overview, and outlines FRU removal and replacement procedures.
Appendix A	Lists the recommended spares list (RSL).
Appendix B	Lists the self-tests.
Appendix C	Lists the system tests.
Appendix D	Lists Diagnostic LED Definitions.

---

### Intended Audience

This document is for Digital Customer Services personnel and self-maintenance customers only.



## Tools and Equipment

The following tools are needed to service the VAXstation 3100 Model 76.

<b>Tools and Equipment</b>	<b>Part Number</b>
Screwdriver (flat-head)	47-00043-03
Screwdriver (Phillips)	47-00043-04
Wriststrap and antistatic mat (included in Customer Services antistatic kit)	29-26246-00

## Related Documents

The following documents can be ordered from Digital. This guide refers to many of these documents.

<b>Documents</b>	<b>Order Number</b>
<i>BA42 Expansion Box Maintenance Guide</i>	EK-BA42A-MG
<i>RX23 Diskette Drive Service Manual</i>	EK-RX23D-SV
<i>RZ Series Disk Drive Subsystem Pocket Service Guide</i>	EK-RZXXD-PS
<i>RZ22 and RZ23 Disk Drive Service Manual</i>	EK-RZ223-SV
<i>RZxx Disk Drive Subsystem Pocket Service Guide</i>	EK-RZXXD-PS
<i>RZ22/23/24 Diskette Drive Service Manual</i>	EK-RZ234-SV
<i>RZ24 Pocket Service Guide</i>	EK-RZ24D-PS
<i>RZ55 Disk Drive Service Manual</i>	EK-RZ55D-SV
<i>RZ55 Pocket Service Guide</i>	EK-RZ55D-PS
<i>RZ56 Disk Drive Service Manual</i>	EK-RZ56D-SV
<i>RZ56 Pocket Service Guide</i>	EK-RZ56D-PS
<i>VAXstation 2000, MicroVAX 2000, VAXmate Network Guide</i>	EK-NETAB-UG
<i>VAXstation 3100 Maintenance Guide</i>	EK-285AA-MG
<i>VAXstation 3100 Model 76 Owner's Manual</i>	EK-VX31M-UG
<i>VAXstation 3100 Model 76 Upgrade Guide</i>	EK-VX31M-CG
<i>VR150 Pocket Service Guide</i>	EK-VR150-PS

<b>Documents</b>	<b>Order Number</b>
<i>VR160 Pocket Service Guide</i>	EK-VR160-PS
<i>VR262 Pocket Service Guide</i>	EK-VR262-PS
<i>VR299 Pocket Service Guide</i>	EK-VR299-PS
<i>VR297 Service Manual</i>	EK-VR297-SG
<i>VRT13 Service Manual</i>	ER-VRT13-SM
<i>VRT19 Service Manual</i>	ER-VRT19-SM
<i>VS3100 Maintenance Guide Addendum: Models 38 and 46</i>	EK-344AA-AD
<i>Workstations Network Guide</i>	EK-VS315-GD
<i>WS01X-GA/GB Graphics Coprocessor Maintenance Guide</i>	EK-WS01X-MS

Digital personnel may order the documents listed from:

Digital Equipment Corporation  
444 Whitney Street  
Northboro, MA 01532

Attn: Publishing and Circulation Services (NRO2-2)  
Order Processing Section

## Conventions

This document uses the following conventions:

<b>Convention</b>	<b>Meaning</b>
<b>Key</b>	A terminal key used in text and examples. For example, <b>Break</b> indicates that you press the Break key on your terminal keyboard.
<b>NOTE</b>	Provides general information.
<b>CAUTION</b>	Provides information that prevents damage to equipment and software.
<b>WARNING</b>	Provides information to prevent personal injury.

# 1

## Testing

---

This chapter provides an overview of the testing procedures for the VAXstation 3100 Model 76 system. Since the testing procedures for the VAXstation 3100 Model 76 are similar to the testing procedures for the previous VAXstation 3100 models, this chapter will not repeat the information described in Chapter 1 of the *VAXstation 3100 Maintenance Guide*. If you are not familiar with the diagnostics available on the VAXstation 3100 Model 76 system, you should read through the testing procedures in Chapter 1 of the *VAXstation 3100 Maintenance Guide*. Also refer to the *WS01X-GA/GB Graphics Coprocessor Maintenance Guide*.

The label on the back of the system box indicates which model you are working on. The VS43A-xx model number on the label identifies the VAXstation 3100 Model 76 system.

All testing is performed while in the console mode and diagnostic tests are ROM-based.

This chapter contains an overview of the following procedures:

- Running power-up tests
- Running self-tests
- Running system exerciser diagnostics

### CAUTION

**Do not remove or unplug the keyboard, mouse, printer, or terminator without turning the power OFF. If the system is up and running, use the proper shutdown procedure prior to halting the system.**

## 2 Testing

### 1.1 Running Power-Up Tests

Power-up tests run each time you turn the system power ON and, if the tests are successful, the operating system starts booting. Power-up testing consists of a sequence of tests executed for each device installed in the system. The test number of each device is listed on the power-up screen display as the device is tested.

To run power-up tests, turn the system power switch ON.

Example 1-1 shows an example of the power-up screen display.

```
KA43-A   V1.0
F...E...D...C...B...A...9...8...7...6...5...4...3...2...1...
OK
>>>
```

#### Example 1-1 Power-Up Tests Screen Display

Example 1-2 shows the power-up screen display with a hard error found in TEST 9 and a soft error in TEST 8.

```
KA43-A   V1.0
F...E...D...C...B...A...9?...8...7...6...5...4...3...2...1...
?? 9    00B0  0001.F002    (Hard error)
? 8     0040  0000.0005    (Soft error)
```

#### Example 1-2 Power-Up Tests with Errors

Usually, a question mark (?) in the power-up summary indicates a soft error and the system may be usable without replacing any FRUs.

Double question marks (??) in the power-up summary indicates a hard error. This indicates a serious problem that may affect the normal operation of some component in the system. The failing device must be replaced before booting the operating system software.

If no power-up display is seen, refer to the *VAXstation 3100 Maintenance Guide*.

### 1.1.1 Power-Up Test Codes

The power-up test codes indicate no error, soft errors, status information, or hard (fatal) error information. Any errors found by power-up tests are listed in the power-up tests summary. These errors, as well as the status of all devices installed in the system, are then stored in the configuration table (T 50). Refer to Example 1–3 for an example of the configuration table.

Table 1–1 lists the test numbers and the devices that are tested during that particular test. To look at the status of a device, display the configuration table.

```
>>> TEST 50
```

The configuration table lists every device in the system and also lists the results of the power-up tests and self-test. The configuration table is updated each time a self-test is run (mouse status is not updated). Remember that the configuration table contains the results of the power-up tests and self-test, and not the results of the system exerciser.

**Table 1–1 Power-Up and Self-Test Commands**

<b>Test</b>	<b>Mnemonics</b>	<b>Device</b>
T F	MONO	Base video
T E	CLK	Time-of-year clock
T D	NVR	Nonvolatile random access memory (RAM)
T C	DZ	Serial line controller
T B	MEM	Memory
T 9	FP	Floating point unit
T 8	IT	Interval timer
T 7	SCSI-A	SCSI-A bus controller Internal RX23/SCSI adapter assembly Internal RX33/SCSI adapter assembly Internal RZ22, RZ23, and RZ24 disk drives

#### 4 Testing

**Table 1–1 (Cont.) Power-Up and Self-Test Commands**

Test	Mnemonics	Device
T 6	SCSI-B	SCSI-B bus controller RRD40 storage expansion box RZ55 storage expansion box RZ56 storage expansion box RZ57 storage expansion box TK50 storage expansion box TZ30 in storage expansion box
T 5	SYS	Interrupt controller and Ethernet ID ROM
T 4	8PLN	Option module (GPX 8-plane graphics module or SPX ScanProc 8-plane graphics module)
T 3		Option module (not available)
T 2		Option module (not available)
T 1	NI	Ethernet circuits

Example 1–3 shows an example of the configuration table.

```
>>> TEST 50

KA43-A   V1.0
ID 08-00-2B-02-CF-A4

MONO      0000.0001
CLK       0000.0001
NVR       0000.0001
DZ        0000.0001
00000001 00000001 00000001 00000001 00000001 000012A0
MEM       0008.0001
00800000
FP        0000.0001
IT        0000.0001
SCSI-A    0808.0001 V1.0
          FFFFFFF05 FFFFFFF05 FFFFFFF05 00000001 FFFFFFF05 FFFFFFF05 FFFFFFF03
SCSI-B    3C3C.0001 V1.0
          FFFFFFF05 FFFFFFF05 00000001 00000001 05000001 01000001 FFFFFFF03
SYS       0000.0001
8PLN     0000.0001 V1.0
NI        0000.0001

>>>
```

**Example 1–3 Configuration Table (T 50)**

Any code in the configuration table other than 0000.0001 on the MONO, DZ, FP, IT, or SYS devices indicates a hard error and the system module must be replaced for proper operation of the system. The other devices such as CLK, NVR, MEM, SCSI-A, SCSI-B, and NI may have a code other than (0000.0001) and may still operate normally.

## 1.2 Running a Self-Test

Self-test allows you to test every device again after the power-up tests are complete. Devices can be tested individually (except for drives), a few at a time, or all of them sequentially just like power-up tests.

To individually test a device (drives are tested all together on their particular bus), enter the word (**TEST**) or just the letter (**T**), followed by a space and the test number of the device you want tested. Table 1-1 lists the devices and the test numbers that test the devices. Example 1-4 shows an example of running a self-test on a SCSI bus. All devices connected to the SCSI bus are tested and the results are listed in the configuration table (T 50).

```
>>> TEST 6
      6...
>>>
```

NOTE: Enter TEST 50 to see the results

### Example 1-4 Running a Self-Test on a SCSI Bus

#### 1.2.1 Self-Test with Loopback Connectors

A customer mode self-test (that is, without any serial line loopbacks) does not test the drivers on the serial lines (DZ). To test the DZ drivers, run a self-test on the serial lines in customer service mode by installing loopbacks on the two MMJ connectors, then run TEST C. Display the configuration table to see the results.

If only one MMJ loopback is available, install it in the communications port and run the tests. An error code of 0000.0200 on the fourth line for the DZ indicates that the printer port does not have the loopback installed, but the communications port tested successfully.

**NOTE**

**The ThinWire Ethernet port or the standard Ethernet port (depending on which port the customer is using) on the back of the system box must be terminated properly when running diagnostics on the Ethernet circuits (TEST 1). Otherwise, an error code of 0000.7001 or greater is listed in the configuration table. The Ethernet port and SCSI port must always either be terminated or have an expansion box connected.**

### 1.2.2 Self-Test Codes

If an error is detected during a self-test, a question mark (?) is put next to the test number and a failure message (84 FAIL) is displayed. You must display the configuration table (enter **TEST 50**) after a self-test is complete to see the error code.

The self-test error codes are located in Appendix B.

## 1.3 Running System Exerciser Diagnostics

The system exerciser simulates a worst-case operating system situation test for each device, and checks how the device operates under these conditions. This type of testing usually finds any interactive problems.

To run the customer service mode system exerciser, perform the following steps:

1. Install a loopback on the communication port.
2. Insert and load the special-keyed test diskette, compact test disk, and tape cartridge.<sup>1</sup>
3. Enter **TEST 101**, **TEST 102**, or **TEST 80000106**.

TEST 80000106 allows you to enter the test number of the individual devices you want to run the exerciser on. If the diskette or the tape drive are not loaded with the special-key media, the system exerciser does not do destructive writes to them, and tests them the same way as it does during the customer mode system exerciser. If the compact disk drive is not loaded with the test disk, the drive does not perform any reads. If the test disk is not available, any disk loaded allows the exerciser to perform reads but does not check the error correction circuits (ECC).

---

<sup>1</sup> This special key on the media prevents the exerciser from accidentally destroying data on the customer's diskette or tape cartridge. The compact disk never does write testing, only reads.



Refer to Chapter 3 of this guide for information on creating the special diagnostic keys on the diskette and tape.

### **1.3.1 System Exerciser Diagnostic Commands**

Table 1-2 lists the system exerciser diagnostic commands. When running TEST 0 or TEST 101, the exerciser automatically stops after about 5 minutes and the HALT message (06 HLT INST) is displayed. This HALT message is normal for these two tests.

### **1.3.2 System Exerciser Codes**

The system exerciser displays the status of the devices on the screen as the exerciser is running. Any errors found are displayed in the exerciser display. When examining the exerciser display, a question mark (?) in the far left column indicates a soft error, double question marks (??) indicate a hard error, and the absence of question marks usually indicates success. There may be times when there are no question marks, but a drive may not be listed in the display (for example, an unplugged power cable). In these instances you need to be familiar with the codes of all devices so that when you examine the display, you know if a specific drive or device is listed, and if the drive or device has a fault.

The system exerciser codes are located in Appendix C.

**Table 1–2 System Exerciser Diagnostic Commands**

<b>Test</b>	<b>Description of Commands</b>
T 0 <sup>1</sup>	Runs customer mode system exerciser. No loopback connectors are needed. Removable media must be loaded in the RX23 disk drive for the exerciser to recognize the drive. The TZ30 does not require media to be loaded. The exerciser tests each device once sequentially, then tests them simultaneously, and stops when the slowest device finishes (about 5 minutes).
T 101 <sup>1</sup>	Runs customer service mode system exerciser. Loopbacks and removable media are required. It exercises each device once sequentially, then exercises them simultaneously, and stops when the slowest device finishes (about 5 to 8 minutes). Do not stop the exerciser before it is finished.
T 102	Runs customer service mode system exerciser. Loopbacks and removable media are required. It exercises each device once sequentially and then exercises them simultaneously until you press <b>CTRL</b> <b>C</b> to terminate the tests. Note that the exerciser takes up to 30 seconds to stop after you press <b>CTRL</b> <b>C</b> . Do not stop the exerciser until every device is exercised twice (second pass). Also, do not press the Halt button to stop the exerciser. Once the tests are terminated, an extended summary for only the SCSI-A and SCSI-B tests can be displayed by pressing <b>Return</b> . Continue pressing <b>Return</b> to redisplay the extended summaries. Press <b>CTRL</b> <b>C</b> a second time to terminate the extended summary which will bring you back to the console prompt >>>.
T 80000106 <sup>2</sup>	Used for individual device testing. Loopbacks and removable media are required. Runs system exerciser diagnostics on individual devices (TEST 6 and TEST 7 are considered individual devices even though they test several drives). This test allows you to test individual devices by entering the test number of the device at a second prompt. This individual testing saves time since you do not have to wait for all of the other devices to finish testing.

<sup>1</sup>The errors for these tests are only displayed on the screen.

<sup>2</sup>There is no system exerciser test in Memory Test B.

If

```
>>>T80000106
?>>>B
```

is selected, you must hit the Halt button on the rear of the system to get back to the console mode.

# 2

## Troubleshooting

---

This chapter contains information for troubleshooting the new devices available on the VAXstation 3100 Model 76 system. The label on the back of the system box indicates that you are working on the VS43A-xx. All troubleshooting procedures are performed while in console mode (operating system software halted).

### 2.1 Troubleshooting Procedures

This section contains troubleshooting information for the devices listed below.

- 4 Mbyte memory DSIMM (Section 2.2)
- RX23 disk drive with the SCSI/FDI adapter module (Section 2.3)

### 2.2 TEST B — Memory (4 Mbyte DSIMM)

The diagnostics used for the 4 Mbyte memory DSIMM test all of the main memory in the system. Therefore, any error for the memory must be deciphered to determine which DSIMM contains the error. There may be more than one module containing the error.

#### Running a Self-Test

A self-test performs a complete check of the memory in the system. The results are stored in the configuration table (T 50). To run a self-test:

1. Enter **TEST B**.
2. Enter **TEST 50** to see the results.

### Self-Test Results

A code of 00XX.0001 next to the MEM mnemonic indicates no errors (the XX is the total amount of memory installed in the system [in hexadecimal]). Verify that the mnemonic matches the amount of memory in the system.

If an error is detected, refer to Section 2.2.1 to determine which module needs to be replaced. There is no further memory test in the system exerciser. The self-test will run complete memory tests if you:

1. Install a loopback on the communication port.
2. Enter **TEST B**.
3. Read the results on the screen during the test.

A code of 0XXX.0001 next to the MEM mnemonic indicates no errors (the XXX is the number of pages of memory tested during the last pass of the exerciser [1 page = 512 bytes]).

The following test will not work on this system:

```
>>> t 80000106
?>>> B
```

If this test is invoked, the system will have to be halted in order to get control in console mode again. If the DZ drivers were also invoked, **CTRL C** does not get you back to the console mode.

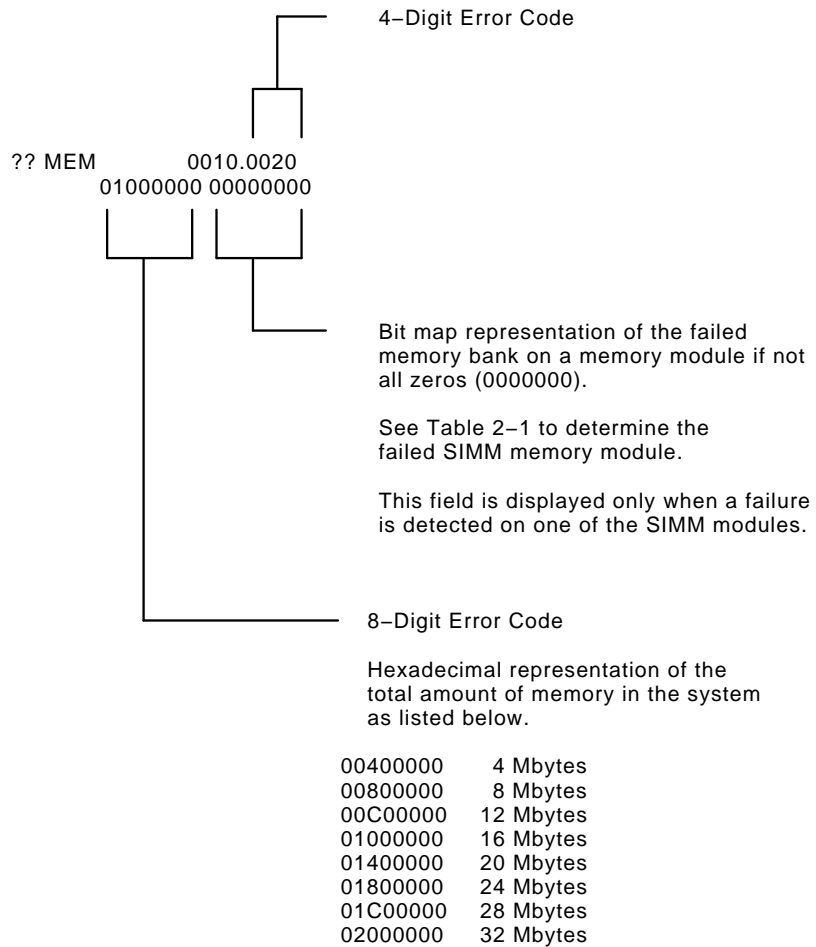
### 2.2.1 Additional MEM Information

The code for MEM in the configuration table indicates the amount of memory available if no errors are detected. For example, 0010.0001 indicates that 16 Mbytes of memory are available (10 in hexadecimal = 16). The second MEM line in the configuration table contains two 8-digit codes, one of which is displayed when errors are detected. The first code repeats the amount of memory in the system, and the second code (displayed only if an error is detected) contains the location of the failed memory.

There may be up to six more 8-digit codes listed in the configuration table. These codes represent the cache memory located on the system module. If this is seen, run the memory test again to see if the results are duplicated. If so, the cache is bad and the system module has to be replaced.

Example 2-1 shows the second 8-digit number of the MEM display in the configuration table. Each digit represents a SIMM memory module. A code other than 0 in any of the digits indicates an error on a memory SIMM.

Each digit contains the status of four banks of memory (1 bank = 1 Mbyte of memory).



**Example 2-1 MEM Error Display in the Configuration Table**

Table 2-1 lists the location of each memory SIMM and contains possible failure codes.

**Table 2-1 Locating a Failed Memory SIMM**

Memory Module Configurations SIMM Callout on System Module	8-Digit Error Code for MEM							
	8	7	6	5	4	3	2	1
SIMM 1	0	0	0	0	0	0	0	X <sup>1</sup>
SIMM 2	0	0	0	0	0	0	X <sup>1</sup>	0
SIMM 3	0	0	0	0	0	X <sup>1</sup>	0	0
SIMM 4	0	0	0	0	X <sup>1</sup>	0	0	0
SIMM 5	0	0	0	X <sup>1</sup>	0	0	0	0
SIMM 6	0	0	X <sup>1</sup>	0	0	0	0	0
SIMM 7	0	X <sup>1</sup>	0	0	0	0	0	0
SIMM 8	X <sup>1</sup>	0	0	0	0	0	0	0

<sup>1</sup>A 0 in this SIMM location means this SIMM is good. Anything from 1 through F indicates this SIMM is failing. For example; a code of 00004000 indicates that the SIMM, numbered 4 on the etch of the system module, is bad.

## 2.3 SCSI-A Troubleshooting

SCSI-A is the internal SCSI bus. To test the internal SCSI bus, execute test 7. You will find only half-height hard disk and/or half-height 3.5-inch floppy drives internal to the system.

In the following procedure an RX23 is discussed. The procedure for troubleshooting the RX23 disk with the SCSI/FDI adapter module is the same as troubleshooting the other drives on the SCSI bus. Remember that the device name of the RX23 drive is usually DKA500. The 5 indicates the SCSI ID and the A indicates the RX23 is on the SCSI-A bus.

The diagnostics used to test the RX23 drive and the SCSI/FDI adapter module are the self-test and the system exerciser.

**Running a Self-Test**

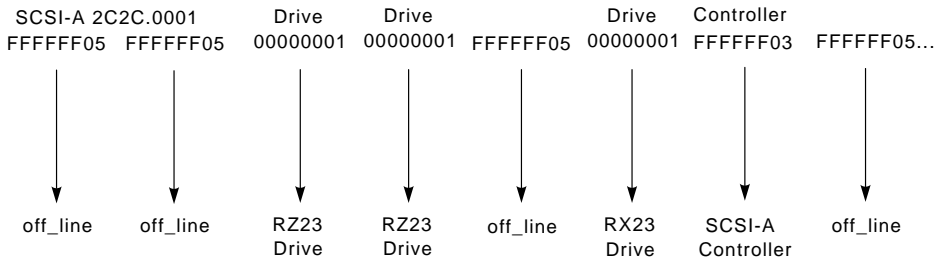
A self-test performs an inquiry of the drive and reports the status of the drive and the SCSI adapter module. No read/write operations are performed. The results are stored in the configuration table (T 50). To run a self-test:

1. Enter **TEST 7**.
2. Enter **TEST 50** to see the results.

**Self-Test Results**

A code of 00000001 in the sixth position (if RX23 is at SCSI ID 5) in the SCSI-A bus status line indicates no errors. Example 2-2 shows an example of SCSI-A bus codes in the configuration table.

If any errors are detected, one or two question marks are flagged in the left column next to the SCSI-A mnemonic.



LJ-00735-T10

**Example 2-2 Self-Test Results on the SCSI-A or SCSI-B Bus**

**If a Self-Test Indicates an Error**

The error may be on the RX23 drive, on the other drives on the SCSI-A bus, or on the SCSI-A bus controller. To determine which device is faulty, examine the status codes of the individual drives. The SCSI IDs are numbered 0 through 7 from left to right (for example, the RZ23 disk drive is located at SCSI ID 2 and the RX23 disk drive is located at SCSI ID 5). Table 2-2 lists the normal status codes for each SCSI device available on the SCSI bus.

Any code other than those listed indicates an error in the device at that SCSI ID.

**Table 2–2 SCSI Devices Self-Test Status Codes**

<b>Status Code</b>	<b>SCSI Device</b>																		
FFFFFF05	Device is off-line or not installed at this SCSI ID If a drive's status code indicates FFFFFFF05, check the drive's cabling and power, then retest. If the code is still FFFFFFF05 after retesting, replace the drive																		
FFFFFF03	SCSI bus controller																		
FFFFFFF0	Device not tested - possible SCSI bus controller error																		
00000001	RX23 SCSI/FDI adapter assembly or																		
	<table border="1"> <thead> <tr> <th><b>Disk Drive</b></th> <th><b>Tape Drive</b></th> </tr> </thead> <tbody> <tr> <td>RZ22</td> <td>TK50</td> </tr> <tr> <td>RZ23</td> <td>TLZ04</td> </tr> <tr> <td>RZ23L</td> <td>TZK10</td> </tr> <tr> <td>RZ24</td> <td>—</td> </tr> <tr> <td>RZ55</td> <td>—</td> </tr> <tr> <td>RZ56</td> <td>—</td> </tr> <tr> <td>RZ57</td> <td>—</td> </tr> <tr> <td>RX33</td> <td>—</td> </tr> </tbody> </table>	<b>Disk Drive</b>	<b>Tape Drive</b>	RZ22	TK50	RZ23	TLZ04	RZ23L	TZK10	RZ24	—	RZ55	—	RZ56	—	RZ57	—	RX33	—
<b>Disk Drive</b>	<b>Tape Drive</b>																		
RZ22	TK50																		
RZ23	TLZ04																		
RZ23L	TZK10																		
RZ24	—																		
RZ55	—																		
RZ56	—																		
RZ57	—																		
RX33	—																		
01000001	TZ30 tape drive																		
05000001	RRD40 compact disk drive																		



### 2.3.1 Running the System Exerciser

The system exerciser performs a more thorough test of the RX23 disk and the SCSI adapter module. It performs a read/write operation during the second pass of the exerciser when the special-keyed test diskette is loaded in the RX23 drive before starting the system exerciser. To run the system exerciser:

1. Install a loopback on the communication port.
2. Load the special-keyed test diskette in the RX23 drive. If the diskette does not contain the special key, go to Section 3.2 and perform the procedure to write the special key on the diskette.
3. Enter **TEST 80000106** .  
? >>> **7** .
4. Read the results on the screen during the test.
5. Press the Halt button to stop the exerciser.

#### System Exerciser Results

A code of 5300.0001 listed under the SCSI-A bus indicates that there are no errors for the RX23 and that the read/write operation is successful.

A code of 5100.0001 listed under the SCSI-A bus indicates that there are no errors. However, a no write operation took place *either* because the exerciser is still executing the first pass, or the special key is not found on the diskette, or no diskette is loaded.

Example 2-3 shows the system exerciser display for the SCSI-A bus. There is one line for the status of the SCSI-A controller on the system module, and one line for each of the drives installed on the SCSI-A bus. The status of the SCSI controller is next to the SCSI-A mnemonic (first line), and the status of each drive is listed under the controller's code (separate line for each drive).

```

7 80A0 SCSI-A 6000.0001 3 0000 0 00:05:26
                2200.0001 ← RZ23 disk drive
                3200.0001 ← RZ23 disk drive
                5300.0001 ← RX23/SCSI adapter
    
```

### Example 2-3 System Exerciser Results for the SCSI-A Bus

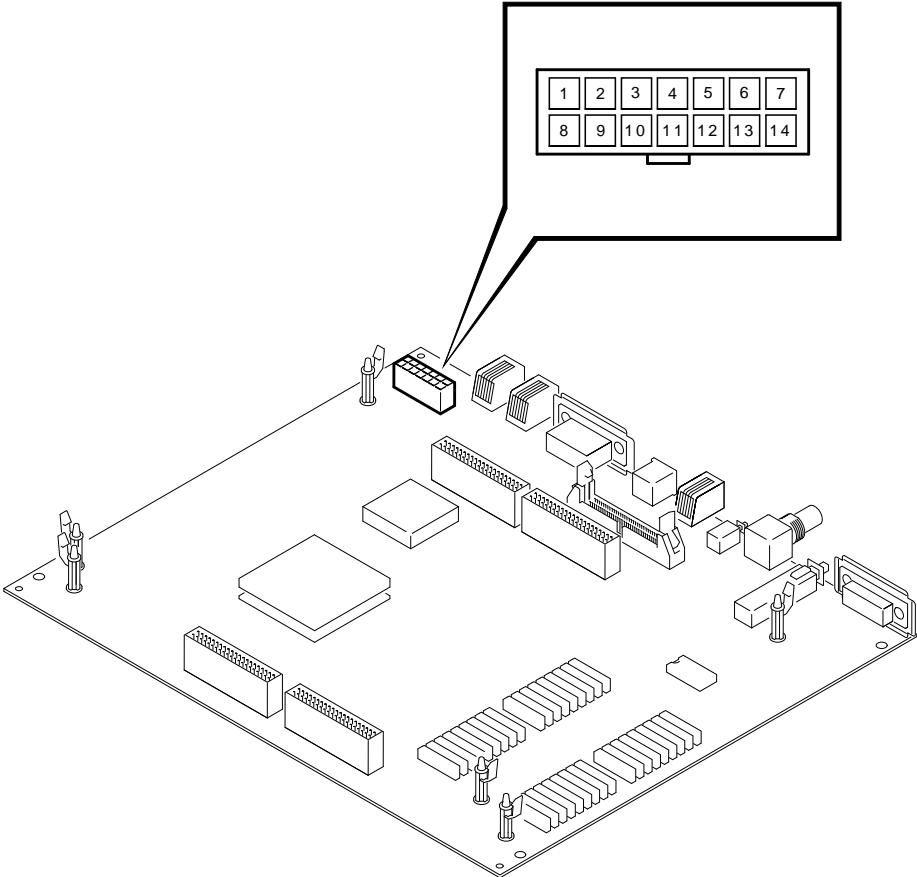
#### If an Error is Detected

If there are any question marks (?) on the SCSI controller's status line, the SCSI controller is probably faulty and must be replaced.

If there are any question marks on a drive's status line, the problem could be in either the drive, the SCSI bus cabling, the SCSI bus terminator, or the SCSI controller. For example, an error that is listed in the drive's code may be a data transfer error and does not isolate the problem to the device itself; it may still be in the SCSI controller.

### 2.3.2 Power Connector Pinouts

Figure 2-1 illustrates the pinout locations for the power connector which are located on the system module. See Table 2-3 for system module power connector voltages.



LJ-00687-T10

Figure 2-1 Power Connector Pin Voltages on the System Module

**Table 2–3 System Module Power Connector Voltages**

<b>Pin Number</b>	<b>Voltage</b>	<b>Tolerance</b>	<b>Color</b>
1	– 12.1 Vdc	5%	Blue
2	Ground	—	Black
3	Ground	—	Black
4	Ground	—	Black
5	+5.1 Vdc	5%	Red
6	+5.1 Vdc	5%	Red
7	+3.5 to +5.25 Vdc	—	Brown
8	+5.1 Vdc	5%	Red
9	+12.1 Vdc	5%	Orange
10	+5.1 Vdc	5%	Red
11	Ground	—	Black
12	Ground	—	Black
13	– 9 Vdc <sup>1</sup>	5%	Yellow
14	– 9 Vdc return <sup>2</sup>	—	White

<sup>1</sup>Measurement made with negative lead connected to pin 14

<sup>2</sup>Ground for the –9 Vdc supply (an isolated supply)

# 3

## Utilities

---

This chapter describes the new utilities available on the VAXstation 3100 Model 76. Table 3-1 lists all the utilities available on the VAXstation 3100 Model 76 system.

**Table 3-1 Utilities**

<b>Test Number</b>	<b>Utility Invoked</b>
T 50	Configuration table (also displays the Ethernet hardware address, for example; ID 08-00-2B-02-CF-A4)
T 51	Sets NVR default boot device
T 52	Sets NVR default boot flags
T 53	Sets NVR default recovery action flags
T 54	Sets keyboard language
SHO ESTAT	Shows system exerciser extended summary
T 60	Alignment circle and crosshatch (monochrome monitor, no graphics module installed)
T 61	Monochrome screen of Es (no graphics module installed)
T 62	Monochrome white screen (no graphics module installed)
T 73	Special key on tapes for customer service mode system exerciser
T 74	Special key on diskettes for customer service mode system exerciser
T 75	SCSI disk data eraser
T 76	Diskette formatter
T 80 <sup>1</sup>	Circle-crosshatch (color monitor)

---

<sup>1</sup>Will work only with an SPX or GPX 8-plane graphics module installed.

**Table 3–1 (Cont.) Utilities**

<b>Test Number</b>	<b>Utility Invoked</b>
T 81 <sup>1</sup>	Screen of all Es (color monitor)
T 82 <sup>1</sup>	White screen (color monitor)
T 83 <sup>1</sup>	4-bar color bar (color monitor)
T 84 <sup>1</sup>	Red screen (color monitor)
T 85 <sup>1</sup>	Green screen (color monitor)
T 86 <sup>1</sup>	Blue screen (color monitor)
T 87 <sup>1</sup>	8-bar color bar (color monitor)
T 88	Gray scale (color and monochrome monitors)

<sup>1</sup>Will work only with an SPX or GPX 8-plane graphics module installed.

### 3.1 Diskette Formatter Utility

This utility formats RX23 diskettes. The command to start the formatter is TEST 76. Example 3–1 shows an example of running the formatter on a DKA500 (RX23).

#### **CAUTION**

**Formatting destroys all user data on the diskette.**

```
>>> TEST 76
```

```
ScsFlpFmtter
```

```
PV_SCS_FMT_CHN (0=SCSIA \ 1=SCSIB)? 0 ← Enter SCSI bus.
PV_SCS_FMT_ID (0,1,2,3,4,5,6,7)? 5 ← Enter SCSI ID of RX23.
PV_SCS_FMT_RUsure (1/0)? 1 ← Enter a 1 for yes, 0 for no.
PV_SCS_FMTing... ← Formatting diskette.
PV_SCS_FMT_CHKpass..... ← RX23 format checked OK.
PV_SCS_FMT_SUCC ← Diskette is formatted
                    successfully.
```

```
>>>
```

### Example 3–1 Formatting an RX23 Diskette

#### 3.1.1 Diskette Formatter Messages

Table 3–2 lists all the formatter messages and gives an explanation for each.

**Table 3–2 Diskette Formatter Messages**

Formatter Message	Explanation
PV_SCS_FMT_CHKpass	A check pass is being done on the diskette.
PV_SCS_FMT_CHN	Enter the SCSI bus that is connected to the RX23/SCSI adapter assembly. Enter 0 for the SCSI-A bus or enter 1 for the SCSI-B bus.
PV_SCS_FMTing	The RX23 diskette is being formatted.
PV_SCS_FMT_RUsure	The formatter uses this question as a safety check. Enter 1 for yes if you want to format the diskette, otherwise, enter any character other than 1 to abort the formatter.

**Table 3–2 (Cont.) Diskette Formatter Messages**

<b>Formatter Message</b>	<b>Explanation</b>
PV_SCS_FMT_ID	Enter the SCSI ID of the RX23. Usually the RX23 ID is set for ID 5.
PV_SCS_FMT_SUCC	The diskette has been successfully formatted.
PV_SCS_FMTex	The RX23 formatter has been aborted.
PV_SCS_FMT_ERR#	The formatter has been stopped because of the error code indicated by the pound sign (#). Table 3–3 lists the error codes.

Table 3–3 lists all the T 76 error codes and gives a description for each.

**Table 3–3 T 76 Error Codes for the Diskette Formatter**

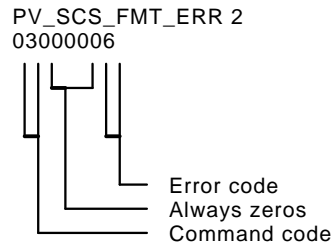
<b>Code</b>	<b>Description</b>
1	Wrong SCSI bus or SCSI ID entered <sup>1</sup>
2	SCSI command error <sup>1</sup>
3	Medium error. A read or write failed <sup>1</sup>
4	Unit not ready. No media
5	Illegal device type <sup>1</sup>
6	SCSI bus hung after reset attempt <sup>1</sup>
7	Data compare error

<sup>1</sup>See the section **Determining the Problem** for more details.

### **Determining the Problem**

An 8-digit error code may be listed under the PV\_SCS\_FMT\_ERR# error message. If this 8-digit error code is listed, you can determine which command was sent to the RX23 and why the command failed. Example 3–2 shows the 8-digit error code breakdown.





### Example 3–2 PV\_SCS\_FMT\_ERR# Error Code Breakdown

Table 3–4 lists the command codes for the 8-digit error code listed under the PV\_SCS\_FMT\_ERR# error message.

**Table 3–4 PV\_SCS\_FMT\_ERR# Command Codes**

Command Code	Command Sent to Device
00	Test Unit Ready
03	Request Sense
04	Format_Unit
08	Read
0A	Write
12	Inquiry
15	Mode Select
1A	Mode Sense
1B	Start Unit
25	Read Capacity
FF	No Command

Table 3–5 lists the error codes for the 8-digit error code listed under the PV\_SCS\_FMT\_ERR# error message.

**Table 3–5 PV\_SCS\_FMT\_ERR# Error Codes**

<b>Error Code</b>	<b>Description of Code</b>
04	Bad status returned by device
06	Not enough sense data returned
08	Bad sense key returned by device
0A	Too many retries of this command, failed after request_sense
0C	Attempt to select host
0E	No req was received within timeout period
10	Entered the same phase twice
12	Device in the command phase is out of order
14	Device in the data_in phase is out of order
16	Unexpected entry in the data_in phase (the command should not go in the data_in phase at all)
18	Device in the status phase is out of order
1A	Device in the message_in phase is out of order
1C	Device in the data_out phase is out of order
1E	Unexpected entry in the data_out phase (the command should not go in the data_out phase at all)
20	Entry in unsupported phase 4
22	Entry in unsupported phase 5
26	Device has not signaled a phase
32	No data transferred when receiving bytes
34	AIP bit not set soon enough
3C	Selection failed
4C	Too many REQs
4E	Timeout waiting for bus after command (req is not set)
60	Not enough inquiry data returned by device
68	Reset did not clear bus
6A	Attempt to access SCSI-B on ST506 board
6C	Unexpected message_out phase

**Table 3–5 (Cont.) PV\_SCS\_FMT\_ERR# Error Codes**

<b>Error Code</b>	<b>Description of Code</b>
6E	Too many retries of this command, failed after bus_device_reset
70	Timeout waiting for bus free after command (req is set)
72	No interrupt request for the DMA_in phase
74	SCD_CNT not zero following DMA_in phase
76	No interrupt request for the DMA_out phase
78	SCD_CNT wrong following DMA_in phase
7A	Phase did not change soon after data_xfer_in phase
7C	Phase did not change soon after data_xfer_out phase
82	Parity error on SCSI bus
84	SCSI req was not set in time
86	SCSI req was not cleared in time

### **3.2 Special Diagnostic Key on Diskettes for Customer Service System Exerciser**

The diskette in the maintenance kit must have a special diagnostic code written on it to allow the system exerciser to write on the diskette when running in the customer service mode. Without this special key, such as on normal customer diskettes, the system exerciser does not perform write testing on the diskette. This safety feature prevents accidentally destroying the customer's programmed diskettes.

TEST 74 creates a special key on the diskette. First, the diskette in the maintenance kit must be formatted using the T 76 command (described in Section 3.1). Secondly, the diskette must have the special diagnostic key written on it before it can be used with the customer service mode system exerciser.

Example 3-3 shows a successful example of creating a special-keyed diskette.

```
>>> TEST 74

                                KA42 Flmker

VSflmk_QUE_port (A,B) ? A      ← Enter SCSI bus port.
VSflmk_QUE_id (0,1,2,3,4,5,7) ? 5 ← Enter ID address of drive.
vsflmk_que_rusure (1/0) ? 1    ← Enter 1 for yes, 0 for no.
vsflmk..... ok                ← Keyed successfully.

>>>
```

### Example 3-3 Creating the Special Key on a Diskette

If any errors occur while running TEST 74, ensure that the drive is on-line and operating properly, then run the special-key command again. Also ensure that the diskette was originally formatted using the T 76 command.

### 3.3 RX33 Formatting

Perform the following commands to format an RX33 diskette. When executing a command, an error may occur. If an error occurs, try executing the command again, then proceed to the next steps. The first two commands will execute while under the VMS operating system.

To format an RX33:

1. \$ Init/Density = Double
2. \$ Shutdown
3. Press halt button when prompted to do so.
4. >>> Test 74

### 3.4 Console Password Feature

The VAXstation 3100 workstations have a console password feature that allows the PVAX to be configured such that a console password must be entered before a user can do an interactive boot. The password and the configuration are stored in nonvolatile memory.

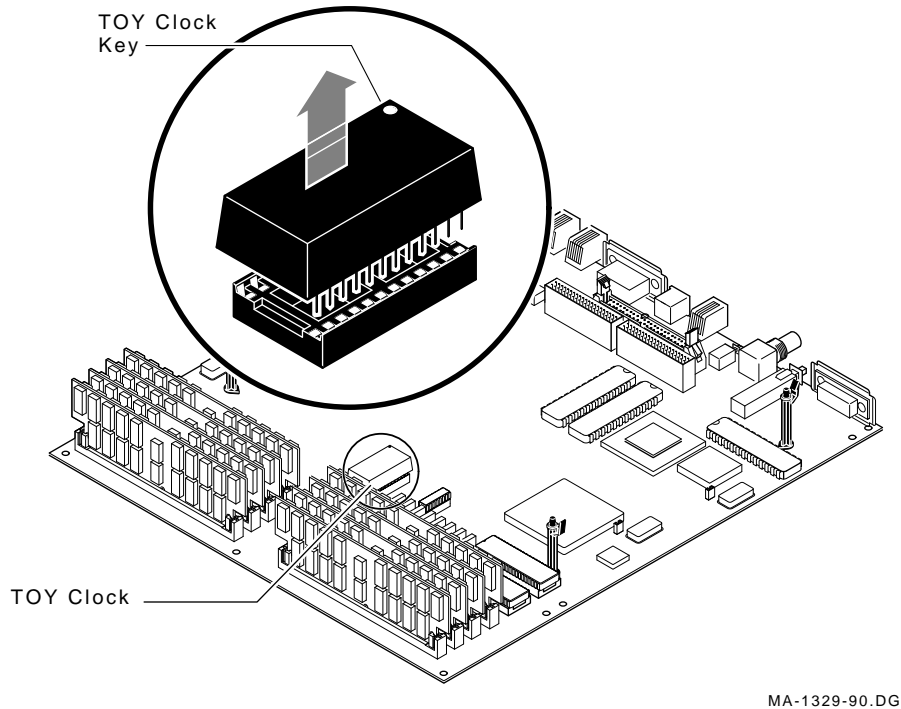
If a user enables this feature and then forgets his console password, the only way to regain full access to the workstation is to perform the following:

1. Open the system box
2. Interrupt the battery-power to the nonvolatile memory by doing the following:

**NOTE**

**The chip is socketed and has a white drawing of an alarm clock on it.**

- a. Use a small screwdriver or ROM puller to remove the Time-of-Year (TOY) chip (refer to Figure 3-1).



MA-1329-90.DG

Figure 3-1 Time-of-Year Chip

**CAUTION**

**Leaving the battery on a conductive surface for a period of time greater than 1-3 seconds may cause premature battery failure.**

- b. Place the leads to the chip on top of the system power supply for 1-3 seconds.
- c. Replace the TOY chip. The TOY clock key should be towards the rear of the system module.

This effectively shorts the battery internal to the TOY clock and resets the password to the disabled mode.

3. If you do not want to enable the console password feature **stop** here. Do not proceed to the next step.

4. To enable the console password feature:
  - a. Set a password with the command `SET PSWD .`
  - b. Enable the password feature with the command `SET PSE 1 .`Use of these commands is further explained in the next two sections.

### 3.4.1 Setting the Password

Use the `SET PSWD` command to select a new password. `SET PSWD` is a privileged command. The form of the command is:

```
>>> SET PSWD
```

After you invoke the command, the console prompts for a password as follows:

```
1 >>>
```

Enter the new password and press `[Return]`. Note that the console does not display the password as you enter it.

The password must be a hexadecimal string of characters (0 through 9 and A through F) with a length of *exactly* sixteen characters. If the string contains a nonhexadecimal character or is of the wrong length, the `SET PSWD` command fails and the following error message is displayed:

```
?31 ILL PSWD
```

Some valid passwords are:

```
1ACED33BD23AF301
```

```
DAC324EABEA222EA
```

```
111111111AACCDEE
```

Invalid passwords include:

```
FACE (not 16 characters long)
```

```
442ED2FFAC213SE2 (contains S, an illegal character)
```

If the password character string is of the right length, the console prompts you to reenter the new password in order to verify that it is correct:

```
2 >>>
```

## 30 Utilities

Reenter the new password and press `[Return]`. Again, note that the password is not displayed. If the verification password matches exactly the password you first entered, then it becomes your new password. If the two passwords do not match, then the command fails and the console displays the following error message:

```
?31 ILL PSWD
```

### 3.4.2 Enabling the Password Feature

Use the `SET PSE` to enable or disable the password feature. The form of the command is:

```
>>> SET PSE #
```

In place of `#`, enter a 1 to enable the feature. Enter a 0 to disable the feature.

If you enter something other than 1 or 0, the following error message is displayed:

```
?24 INV DGT
```

If you have not yet used the `SET PSWD` command to choose a password, the following error message is displayed:

```
?33 NO PSWD DEF
```

### 3.4.3 Placing the Workstation in Privileged Mode

If privileged mode is selected, it is necessary to type the password at the `LOGIN` command to enable console commands.

```
>>> LOGIN
```

If the password feature is not enabled, the console displays the following error message:

```
?32 PSWD NOTEN
```



If the password feature is enabled, the prompt appears for the console password. The password typed in is not displayed on the screen. If the correct password is entered, the workstation is then in privileged mode with access to all commands.

If an incorrect password is entered, the following message is displayed:

```
?23 ILL CMD
```

### 3.4.4 Learning the Status of the Password Feature

To check on the status of the password feature, use the following command:

```
>>> SHOW PSE
```

If a 1 is displayed, the feature is enabled. If a 0 is displayed, the feature is disabled.

### 3.4.5 Exiting Privileged Mode

The following console commands, when executed while the console is in the privileged mode, cause an exit from privileged mode before any other operations begin:

- BOOT (with any supplied parameters)
- CONTINUE
- HALT
- START

Once privileged mode is exited, you must use the LOGIN command and correctly enter the console password to regain the privileged mode.

## 3.5 Utility Differences for the Model 76

The following utilities are different from those used on the VS3100 Model 30, 38, 40, and 48:

- T 55 has been replaced with show ESTAT.
- T 70 has been replaced with T 76.

# 4

## VAXstation 3100 (Model 76) System

---

### 4.1 System Contents

The VAXstation 3100 Model 76 (VS43A-xx) system consists of the system box, monitor, mouse or tablet, and keyboard. The label on the back of the system box indicates that you are working on the VS43A-xx.

The system box contains several field replaceable units (FRUs): the system module, up to eight memory DSIMMs, a graphics module, a power supply, and up to three internal mass storage devices (RX23 disk drive with either one or two RZ22, RZ23, RZ23L, or RZ24 disk drives; or either one, two, or three RZ22, RZ23, RZ23L, or RZ24 disk drives).

There are five expansion boxes available that contain additional mass storage devices. They are:

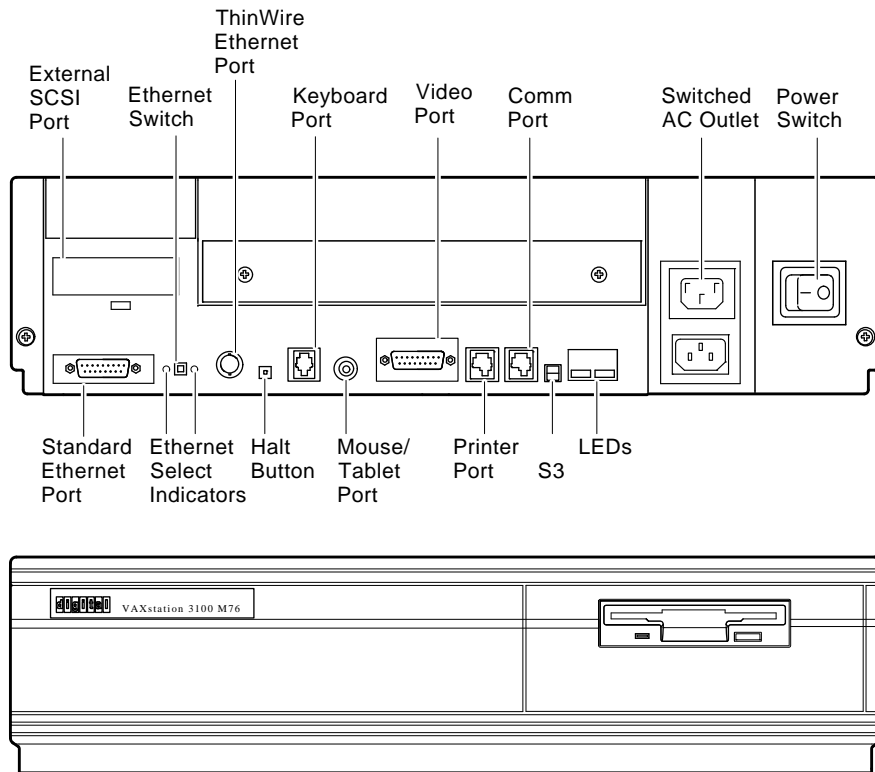
- TK50Z-GA storage expansion box
- RZ55 storage expansion box
- SZ12 storage expansion box
- RRD40 storage expansion box
- TLZ04 storage expansion box

34 VAXstation 3100 (Model 76) System

The keyboard is an LK201 keyboard. There are eleven monitors available. The eleven monitors are:

- VR160 color monitor
- VR290 color monitor
- VR297 color monitor
- VR299 color monitor
- VR320 color monitor
- VRT16 color monitor
- VRT19 color monitor
- VR150 monochrome monitor
- VR260 monochrome monitor
- VR262 monochrome monitor
- VR319 monochrome monitor

Figure 4-1 shows the VAXstation 3100 Model 76 system box.



MA-1317-90.DG

**Figure 4-1 VAXstation 3100 Model 76 System Box**

Figure 4-1 shows the front and rear of the VAXstation 3100 Model 76 system box. The monitor is connected to the 15-pin video port. A printer can be connected to the printer port. A terminal or another printer can be connected to the communication port. Connection to the Ethernet is done through either the ThinWire Ethernet port or the standard Ethernet port depending on which type of Ethernet network is available.

The position of the Ethernet switch determines which of the Ethernet ports provides IEEE 802.3 network communications. An LED is lit next to the enabled port. The keyboard may only be connected to the keyboard port on the back of the system box. The mouse may only be connected to the mouse port on the back of the system box. The external SCSI port is for connecting external mass storage devices to the system. The monitor or an external mass storage device can be plugged into the switched ac outlet.

The S3 switch next to the LEDs on the back of the system module controls the console port. When the S3 switch is in the *down* position, it enables the monitor connected to the monitor port to be the console. When the S3 switch is in the *up* position, it enables a terminal connected to the printer port to be the console.

## 4.2 FRU Removal and Replacement

This section describes the removal and replacement procedures for the FRUs in the VAXstation 3100 Model 76 system.

### CAUTION

**Do not remove or unplug the keyboard, mouse, printer, or terminator without turning the power OFF. If the system is up and running, use the proper shutdown procedure prior to halting the system.**

Figure 4-2 shows the location of the major FRUs. To use this section, find the name of the FRU that needs replacing in Table 4-1, then go to the section listed beside the FRU. Follow the steps in the section to remove the FRU and reverse the procedure to replace the FRU. Always test the replaced device for proper operation.

### CAUTION

**Wear an antistatic wriststrap and use an antistatic mat when replacing FRUs.**

**Table 4-1 FRU Section Listings**

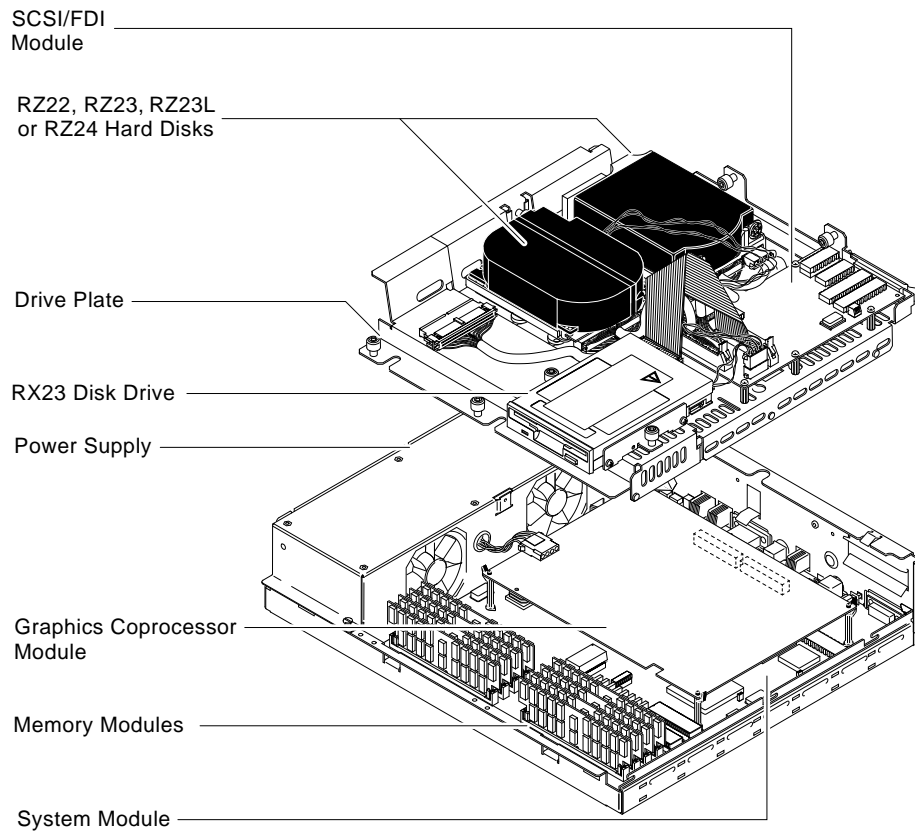
<b>FRU</b>	<b>Section</b>
System box cover	4.2.1
RZ22, RZ23, RZ23L, or RZ24 disk drive	4.2.2
RX23 disk drive	4.2.3
SCSI/FDI adapter	4.2.4
Drive plate	4.2.5
8-plane graphics coprocessor or scanprocessor option	4.2.6
Memory SIMMs	4.2.7
Internal SCSI bus data cable	4.2.9
System module	4.2.8
Power supply	4.2.10
Keyboard	4.2.11
Mouse	4.2.12
Printer	4.2.13

The FRUs for the monitors are not covered in this guide. This information is contained in the various pocket service guides listed in Table 4-2.

**Table 4-2 Monitors**

<b>Monitor</b>	<b>Document Title</b>	<b>Order Number</b>
VR150	<i>VR150 Pocket Service Guide</i>	EK-VR150-PS
VR160	<i>VR160 Pocket Service Guide</i>	EK-VR160-PS
VR260	<i>VR260 Pocket Service Guide</i>	EK-VR260-PS
VR262	<i>VR262 Pocket Service Guide</i>	EK-VR262-PS
VR290	<i>VR290 Service Guide</i>	EK-VR290-SV
VR297	<i>VR297 Service Guide</i>	EK-VR297-SG
VR299	<i>VR299 Service Guide</i>	EK-VR299-SG
VR319	<i>VR319 Service Guide</i>	EK-VR319-SV
VR320	<i>VR320 Service Guide</i>	EK-VR320-SV
VRT16	<i>VRT16 Service Guide</i>	ER-VRT16-SM
VRT19	<i>VRT19 Service Guide</i>	ER-VRT19-SM

Figure 4-2 shows the FRU locations.



LJ-00688-T10

**Figure 4-2 FRU Locations**

### **4.2.1 System Box Cover Removal**

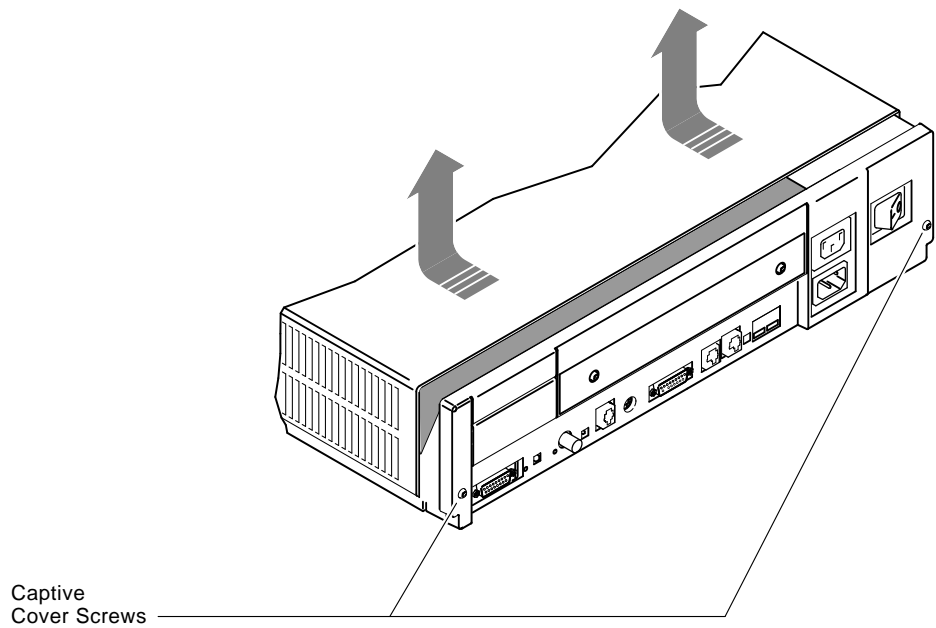
To remove the system box cover:

1. Shut down the system software.
2. Turn the system power switch OFF.



40 VAXstation 3100 (Model 76) System

3. Unscrew the two captive cover screws as shown in Figure 4-3.
4. Slide the cover forward approximately 2 inches and lift up and off the system box.



MA-1319-90.DG

**Figure 4-3** Cover Screw Locations

#### 4.2.2 RZ22, RZ23, RZ23L, or RZ24 Disk Drive Removal

To remove an RZ22, RZ23, RZ23L, or RZ24 disk drive:

1. Remove the system box cover (refer to Section 4.2.1).
2. Determine your configuration by referring to Figure 4-4 and Figure 4-5.

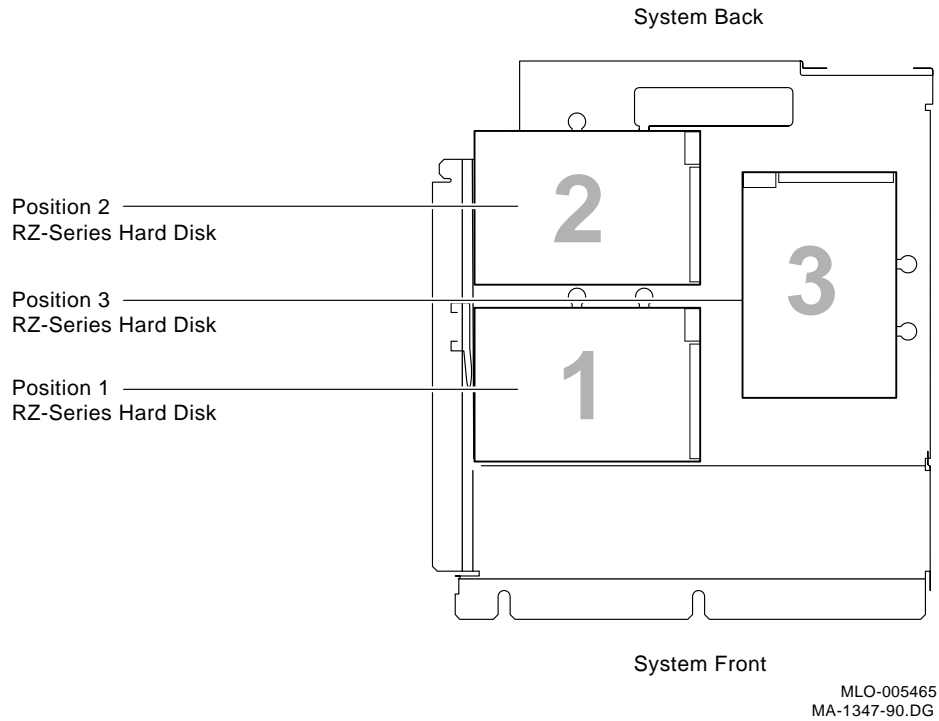
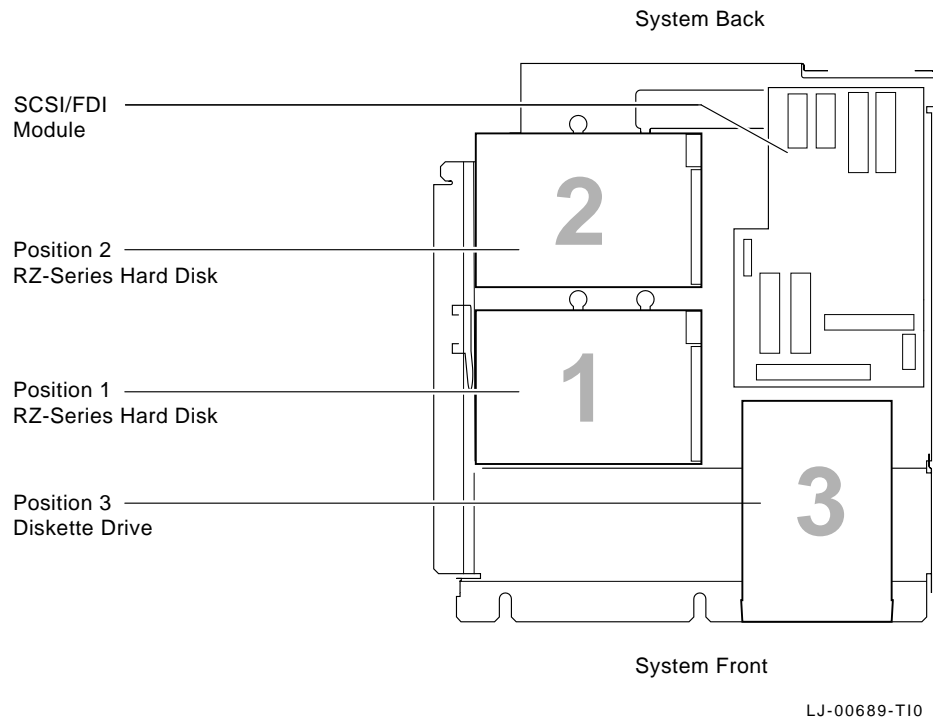


Figure 4-4 Configuration 1



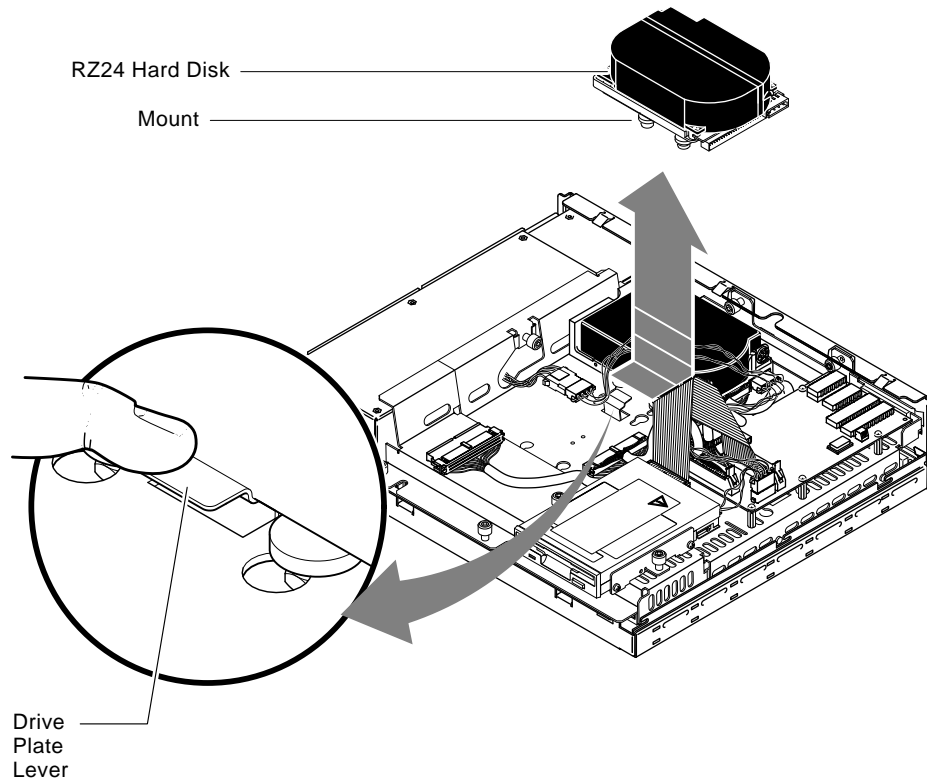
**Figure 4-5 Configuration 2**

3. Locate the drive plate lever under the disk drive that is being removed. Refer to Figure 4-6 for an RZ22, RZ23, or RZ23L and Figure 4-7 for an RZ24.

**NOTE**

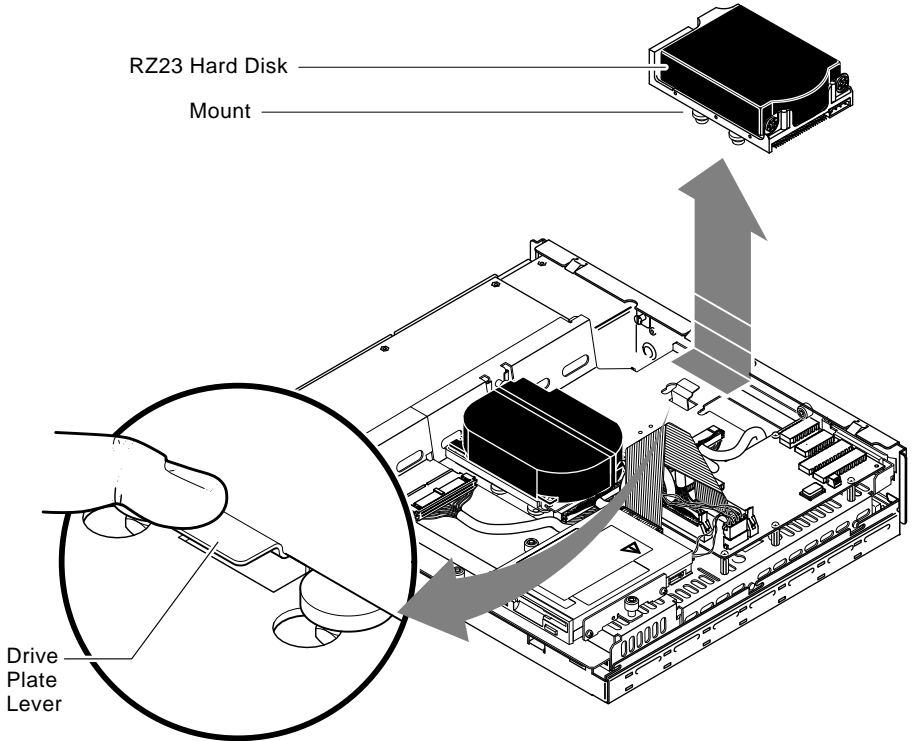
**If drive 1 is being removed, release drive 2 first for easier access.**

4. Simultaneously press down on the drive plate lever and slide the drive toward the lever until you can lift the drive from the plate. Refer to Figure 4-6 for a disk drive in position 1 and Figure 4-7 for a disk drive in position 2.



MA-1335-90.DG

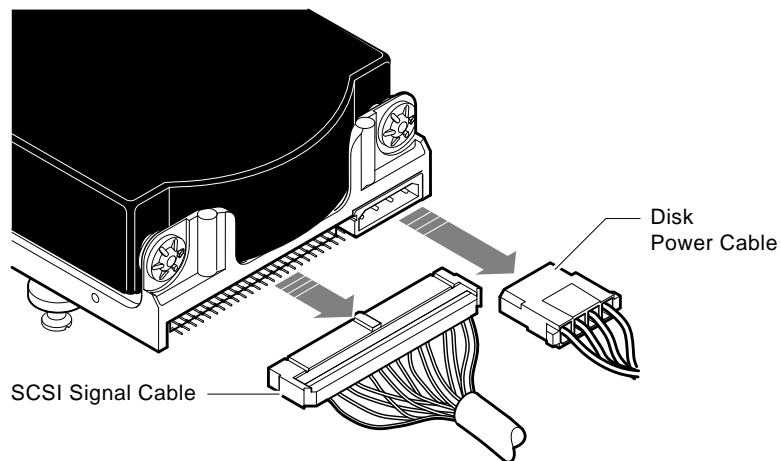
**Figure 4-6** Removing a Disk Drive from Position 1



MA-1320-90.DG

Figure 4-7 Removing a Disk Drive from Position 2

5. Disconnect the disk power cable (P/N 17-02220-01) and the SCSI signal cable (P/N 17-02945-01) from the back of the disk that is being removed (Figure 4-8).



MA-1336-90.DG

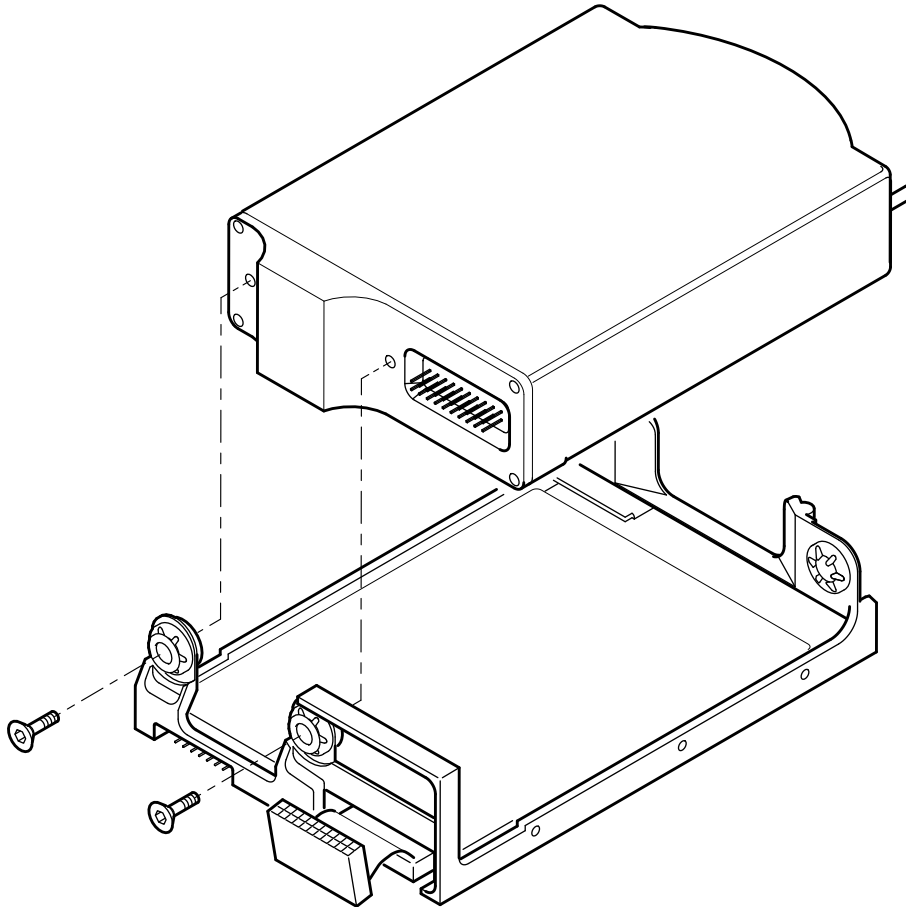
**Figure 4-8 Removing an RZ22/RZ23/RZ23L Disk Power and SCSI Cables**

6. Turn the drive mounting panel over and remove the four screws from the drive (refer to either Figure 4-10 or Figure 4-11). Support the drive with one hand when removing the last screw.

**CAUTION**

**When reinstalling the stiffener on the RZ23/RZ23L/RZ24, ensure that the raised edges are away from the drive PCB.**

7. Disconnect the drive interconnect cable and remove the two screws with a 1/8-inch Allen wrench (refer to Figure 4-9).



TTB\_X1236\_88

MA-X1046-88

**Figure 4-9 Removing Drive Module/Frame**

8. Turn the drive over and locate the SCSI ID jumper settings E1, E2, E3, and E4 as shown in either Figure 4-10 for the RZ22, RZ23, and RZ23L, or Figure 4-11 for the RZ24.

Record the positions of the jumpers on the drive so that you can set the jumpers on the new drive to the *same* positions.

**NOTE**

**If for some reason the SCSI ID jumpers have been tampered with before the drive has been replaced, refer to Table 4-3 for the RZ22, RZ23, RZ23L, and RZ24 switch settings.**

**Table 4-3 RZ22, RZ23, RZ23L, and RZ24 Jumpers**

SCSI ID <sup>1</sup>	E1	E2	E3	E4	E5 <sup>2</sup>	E6 <sup>2</sup>
0	Out	Out	Out	Out	Out	In
1	In	Out	Out	Out	Out	In
2	Out	In	Out	Out	Out	In
3	In	In	Out	Out	Out	In
4	Out	Out	In	Out	Out	In
5	In	Out	In	Out	Out	In
6	Out	In	In	Out	Out	In
7	In	In	In	Out	Out	In

<sup>1</sup>For RZ22, RZ23, and RZ23L.

<sup>2</sup>E5 or E6 are present on RZ22 and RZ23 drive/modules with revision levels BO2 or higher. For manufacturing use only.



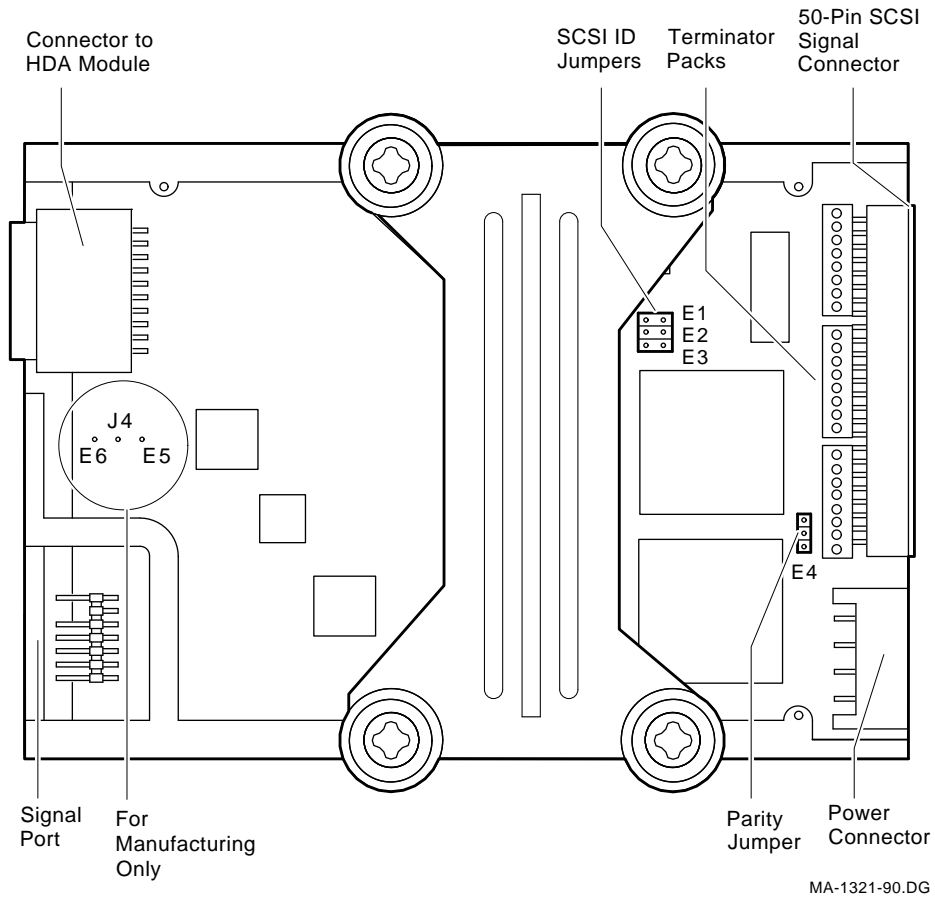
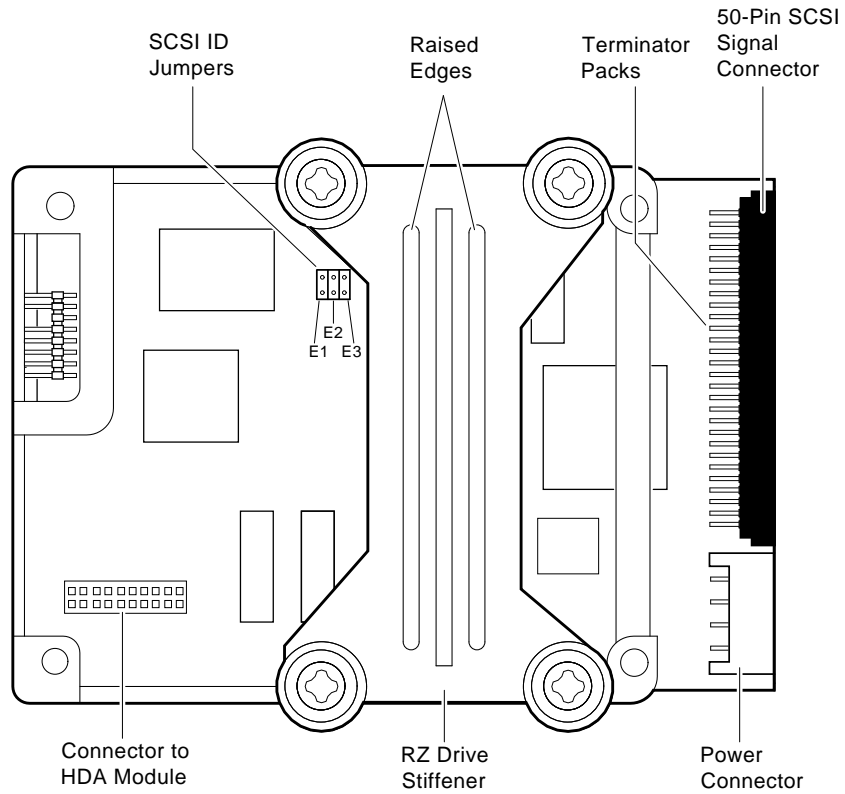


Figure 4-10 Setting the SCSI ID on the RZ22, RZ23, and RZ23L



LJ-00690-T10

**Figure 4-11 Setting the SCSI ID on the RZ24**

9. Reverse the removal procedure to install the new drive.

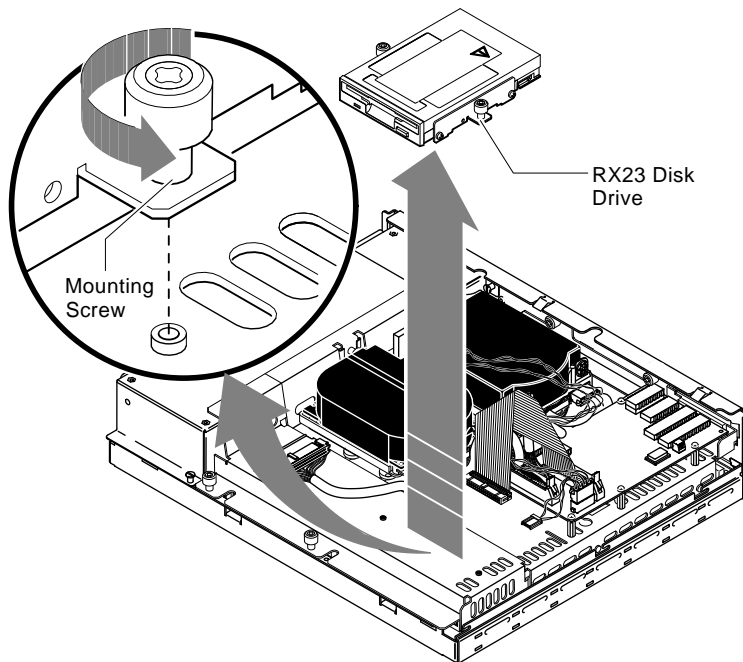
**CAUTION**

**When replacing the four drive screws and RZ2x drive stiffeners during the installation procedure, ensure that the stiffener's raised edges are away from the drive.**

### 4.2.3 RX23 Disk Drive Removal

To remove an RX23 disk drive:

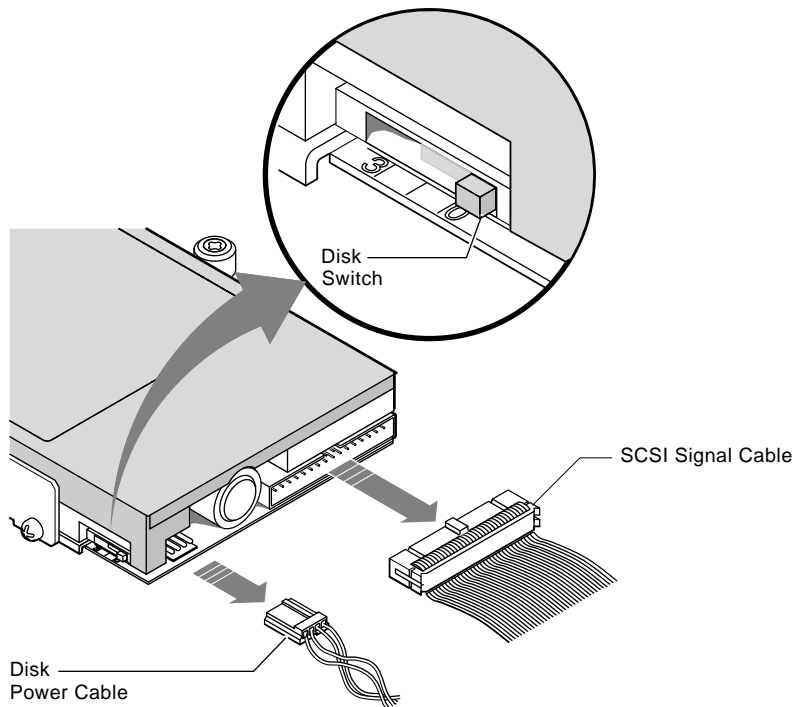
1. Remove the system box cover (refer to Section 4.2.1).
2. Free the two mounting screws (refer to Figure 4-12).



MA-1344-90.DG

Figure 4-12 Removing an RX23 Disk Drive

3. Disconnect the disk power cable (P/N 17-02220-01) and the SCSI signal cable (P/N 17-02221-01) from the back of the RX23 drive (refer to Figure 4-13).



MA-1345-90.DG

**Figure 4-13 Removing an RX23 Disk Drive Power and SCSI Cables**

4. Record the switch setting on the side of the RX23 and set the switch on the new drive to the *same* position. This should be position 0.

**NOTE**

**The RX23 drive plate lever may have shipping material under it. If it does, remove the shipping material and discard it before performing the next step.**

- Reverse the removal procedure to install the new RX23 drive.

**CAUTION**

**To prevent possible damage to the RX23 SCSI bus data cable during the installation procedure, *do not* place the cable across the SCSI/FDI module connector *tabs*.**

#### 4.2.4 SCSI/FDI Adapter Removal

To remove the SCSI/FDI adapter:

- Remove the system box cover (refer to Section 4.2.1).
- Locate the SCSI ID switches 1, 2, and 3 as shown in Figure 4-14.

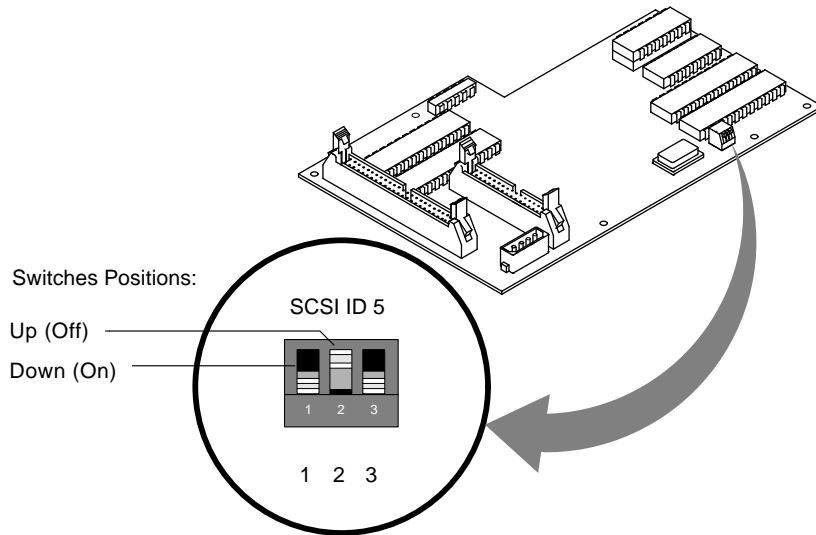
Record the SCSI ID switch positions so that you can set the ID switches on the SCSI/FDI replacement board to the *same* positions. Usually, the switches are set to 5, as shown in Figure 4-14.

**NOTE**

**If for some reason the SCSI ID jumpers have been tampered with before the board has been replaced, refer to Table 4-4 for the SCSI/FDI adapter switch settings.**

**Table 4-4 SCSI/FDI Adapter Switch Settings**

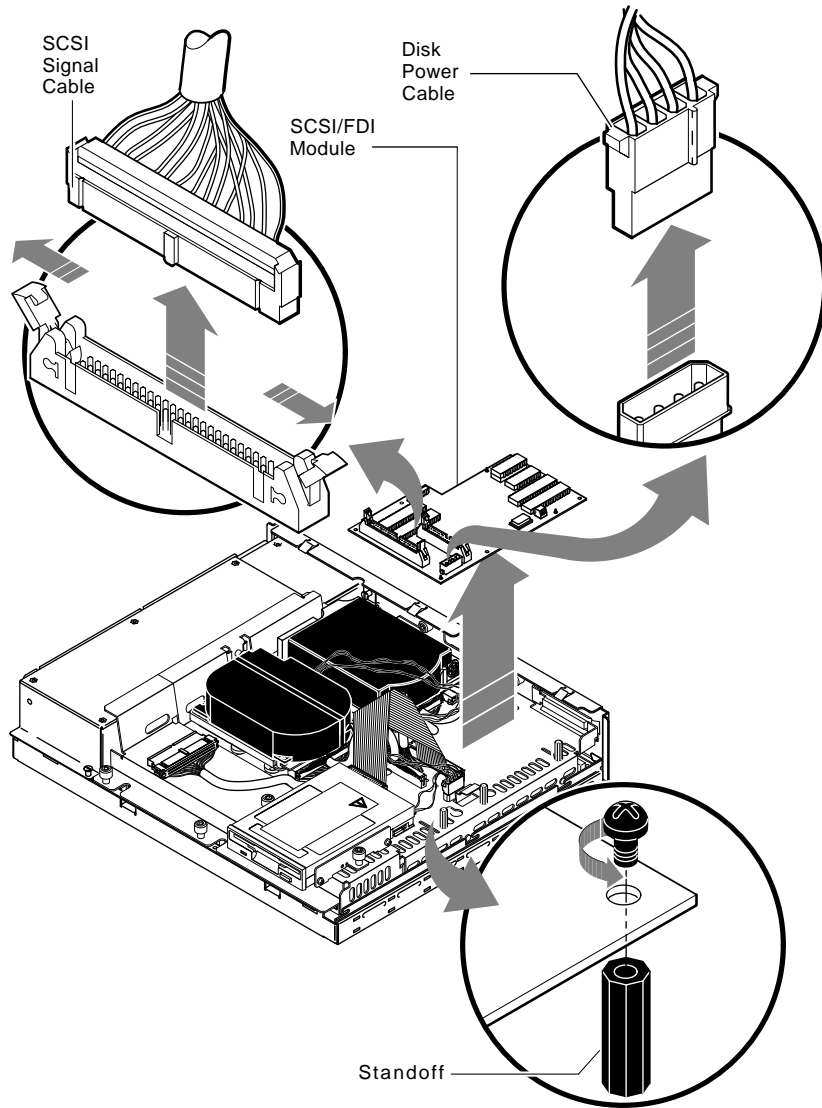
SCSI ID	1	2	3
0	Up	Up	Up
1	Down	Up	Up
2	Up	Down	Up
3	Down	Down	Up
4	Up	Up	Down
5	Down	Up	Down
6	Up	Down	Down
7	Down	Down	Down



MA-1324-90.DG

**Figure 4-14 SCSI ID Switch Location**

3. Remove the two SCSI signal cables by spreading the tabs and pulling the connectors out as shown in Figure 4-15.
4. Remove the power cable by pulling the connector out.
5. Remove the six Phillips-head screws on the SCSI/FDI adapter board.
6. Reverse this removal procedure to install the new SCSI/FDI adapter.



MA-1323-90.DG

Figure 4-15 SCSI/FDI Module Location

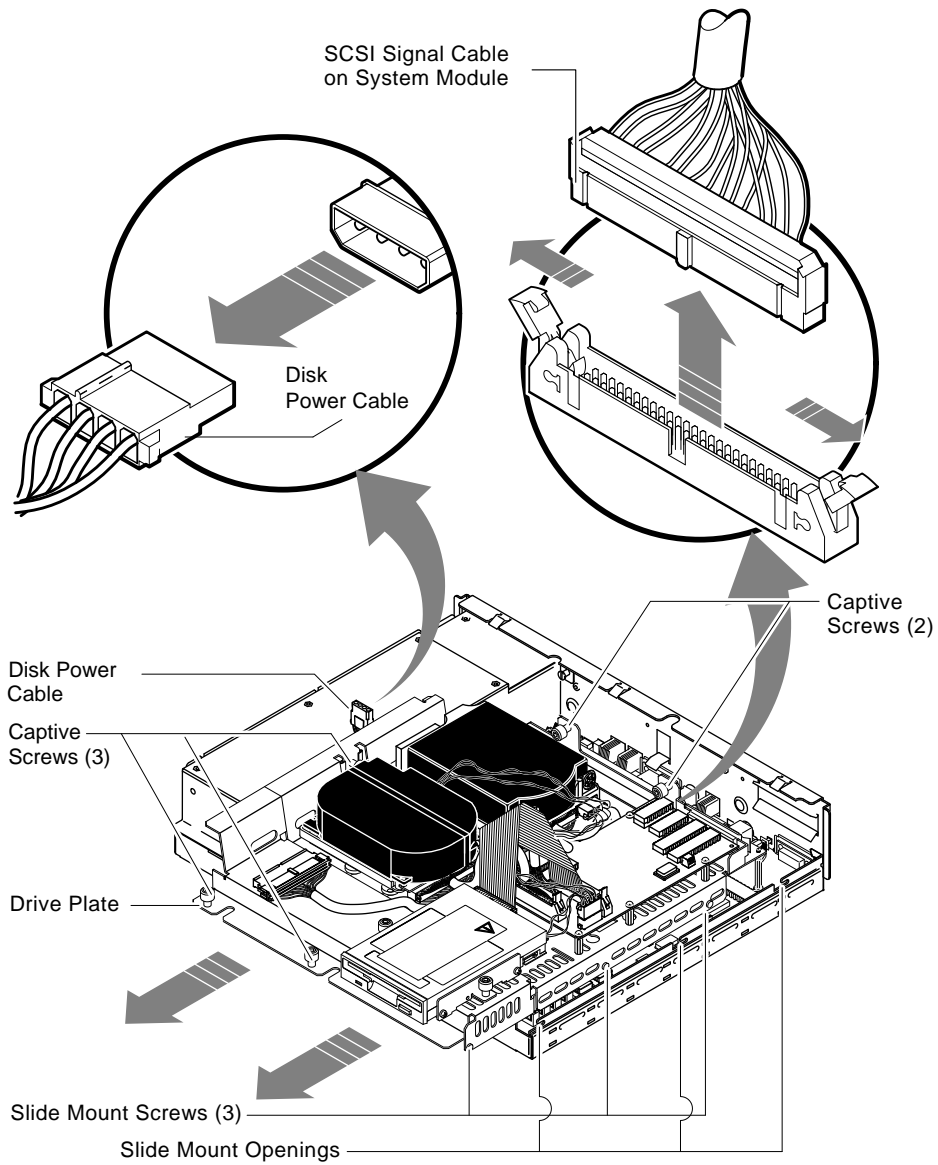
#### **4.2.5 Drive Plate Removal**

You do not have to remove any devices mounted on the drive plate to remove the drive plate from the system box.

To remove the drive plate:

1. Remove the system box cover (refer to Section 4.2.1).
2. If the drive plate has devices mounted on it, complete all the following steps. If the drive plate has no devices mounted on it, proceed to step 6.
3. Disconnect the disk power cable (P/N 17-02220-01) from the power supply (refer to Figure 4-16).
4. Remove the SCSI cable from the system board by spreading the tabs and pulling straight up.

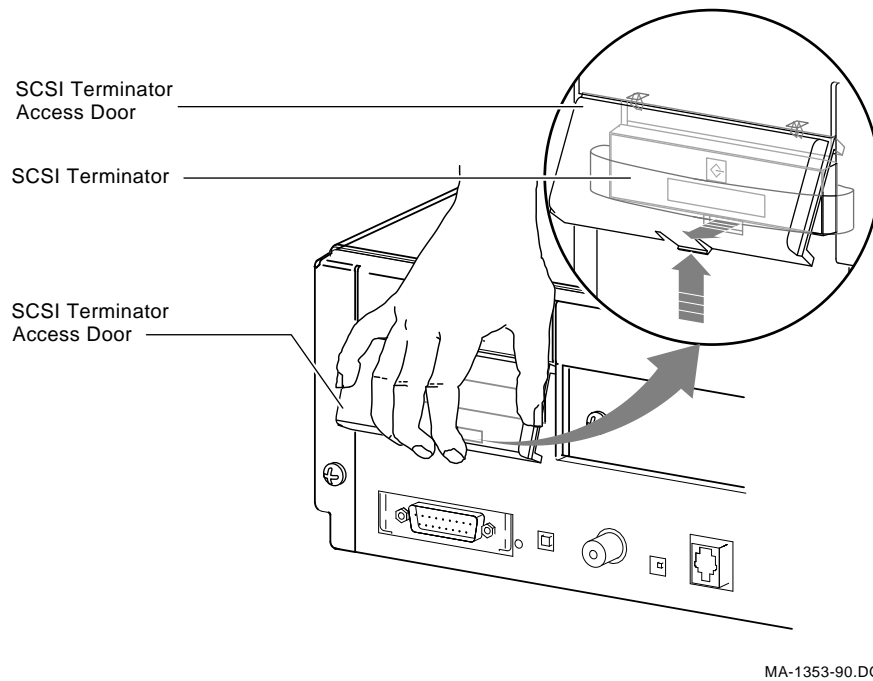




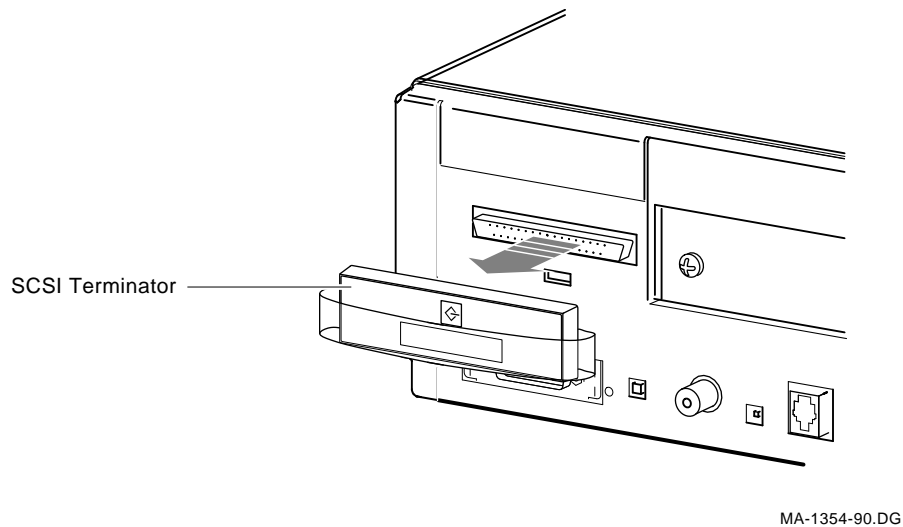
MA-1325-90.DG

Figure 4-16 Removing the Drive Plate

5. Disconnect the SCSI terminator or the external SCSI cable from the SCSI port on the back panel. If your system has a terminator installed, you must remove the terminator access door before you can remove the terminator. The access door can be released by applying upward pressure on the bottom until the door hinges upward (refer to Figure 4-17). At this point the whole door can be removed. Remove the terminator (refer to Figure 4-18).

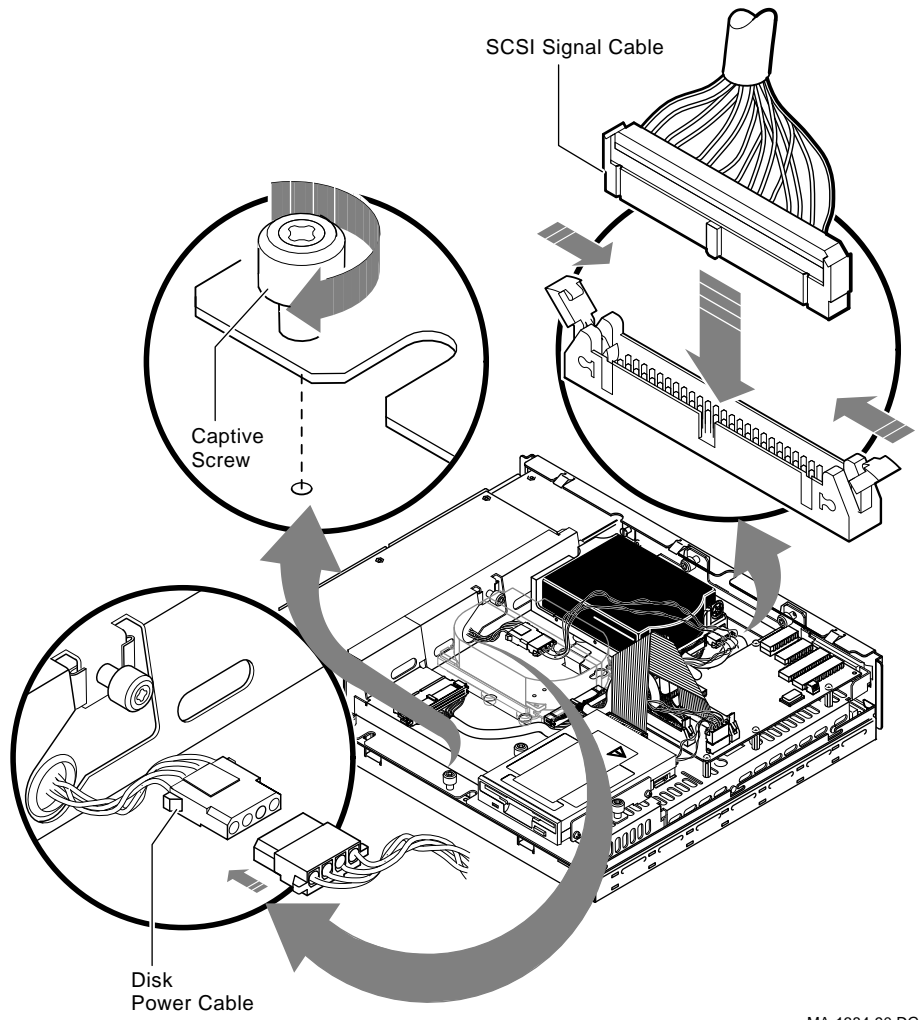


**Figure 4-17 External SCSI Access Panel**



**Figure 4-18 SCSI Terminator**

6. Free the five captive screws and loosen the three slide mount screws on the drive plate as shown in Figure 4-16. Do not remove the screws from their mountings.
7. Slide the drive plate (with the drives) forward approximately 1/2-inch and then lift it up and off the system box. Feed through the disk power cable as shown in Figure 4-19. Set the plate aside.
8. To install the drive plate, feed through the disk power cable as shown in Figure 4-19 and then continue by reversing this removal procedure.



MA-1384-90.DG

**Figure 4-19 Replacing the Drive Plate**

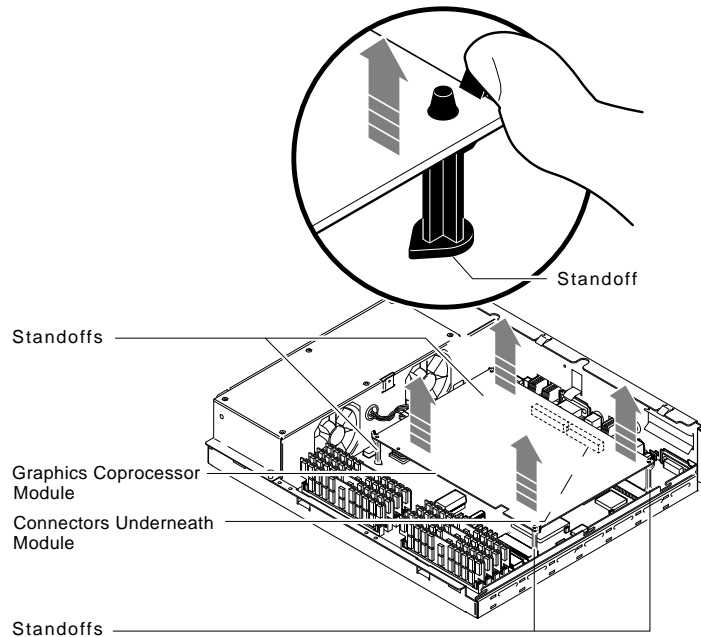
## 4.2.6 Graphics Coprocessor Module Removal

To remove the graphics coprocessor module:

1. Remove the system box cover (refer to Section 4.2.1).
2. Remove the drive plate (refer to Section 4.2.5).
3. Remove the graphics coprocessor module from the four standoffs (refer to Figure 4-20).

### CAUTION

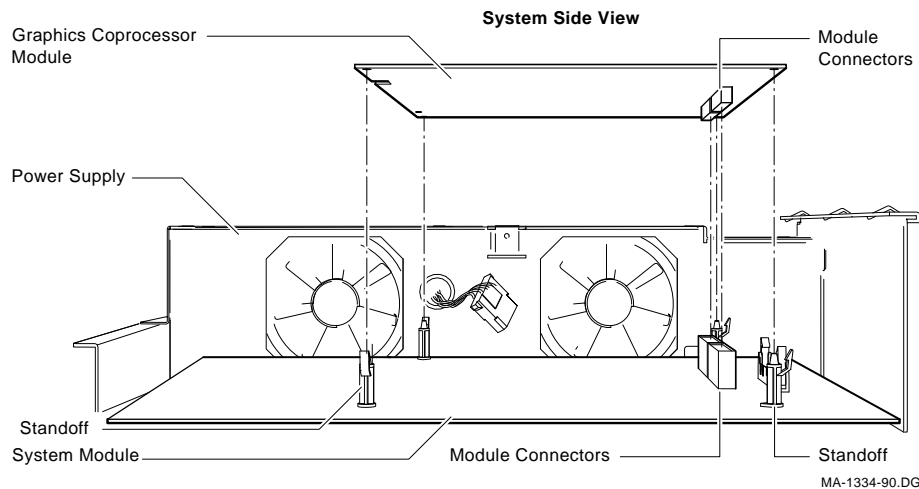
**If you have an SPX color graphics accelerator, there is an IC (on the SPX graphics module) whose pins are susceptible to bending near the rear corner furthest from the power supply. Be extremely careful in handling this module so as not to cause permanent damage.**



MA-1326-90.DG

Figure 4-20 Removing the Graphics Coprocessor Module

4. Grasp the module near the two connectors under the module and lift the graphics coprocessor module off the system module. Refer to Figure 4-21 for the location of the connector.
5. Reverse this removal procedure to install a new graphics module.



**Figure 4-21 Removing the Graphics Coprocessor Module - Sectional View**

#### 4.2.6.1 Graphics Coprocessor Module 60Hz/66Hz Selection

There is a two position dip switch located on the Graphics Coprocessor module (non-component side) that is used to switch between 60Hz and 66Hz monitor support.

- Switch #1 is inactive.
- Switch #2 should be in the **ON position for 66 Hz monitors**.

The dip switch can be accessed without removing the drive plate. To set the dip switch:

1. Remove the storage drive located in drive position 1 (see Figure 4-5).

#### **NOTE**

**Once the storage drive has been removed you can gain access to the dip switch (white) through a opening in the drive plate located near the power supply.**

2. Select the appropriate dip switch setting.

#### 4.2.7 Memory SIMM Removal

To remove a memory module:

1. Remove the system box cover (refer to Section 4.2.1).
2. Remove the drive plate (refer to Section 4.2.5).

##### CAUTION 1

**Memory components are easily damaged with static electricity. An antistatic wriststrap should always be worn when installing or removing memory components.**

##### CAUTION 2

**The memory SIMMs are keyed and should be installed in only one direction. Excessive force applied to the SIMMs when they are not properly aligned with the connector can cause permanent damage to either the SIMM or connector.**

##### NOTE

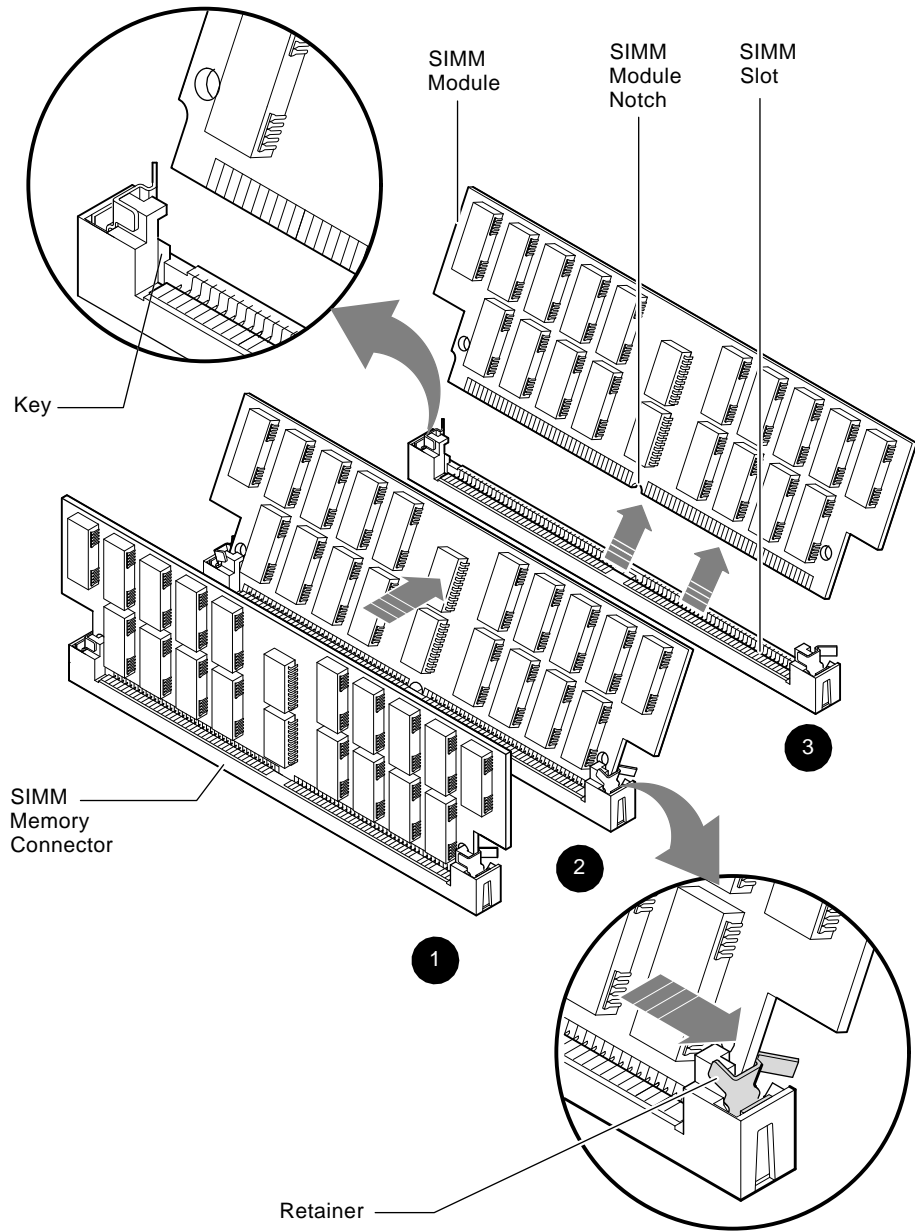
**Memory SIMMs must always be removed starting from the rear of the system. For example, if you are going to replace the SIMM at the front of the system board, you must remove the other three starting at the rear and working toward the front. Memory modules are numbered on the outer edges of the memory connectors located on the system board.**

3. To remove a SIMM, release the two metal retainers located on each SIMM memory connector (refer to Figure 4-22). Tilt the module approximately 55 degrees to the rear of the unit and lift out (refer to Figure 4-22).

##### CAUTION

**Failure to release the two memory retainers will permanently damage the memory connector located on the system board.**

4. Repeat the previous step for each memory SIMM that must be removed.
5. Reverse this removal procedure to install a new SIMM, noting the following. Be sure to insert the new SIMM at the angle it was removed, then tilt upward until the retainers lock into place.



MA-1333-90.DG

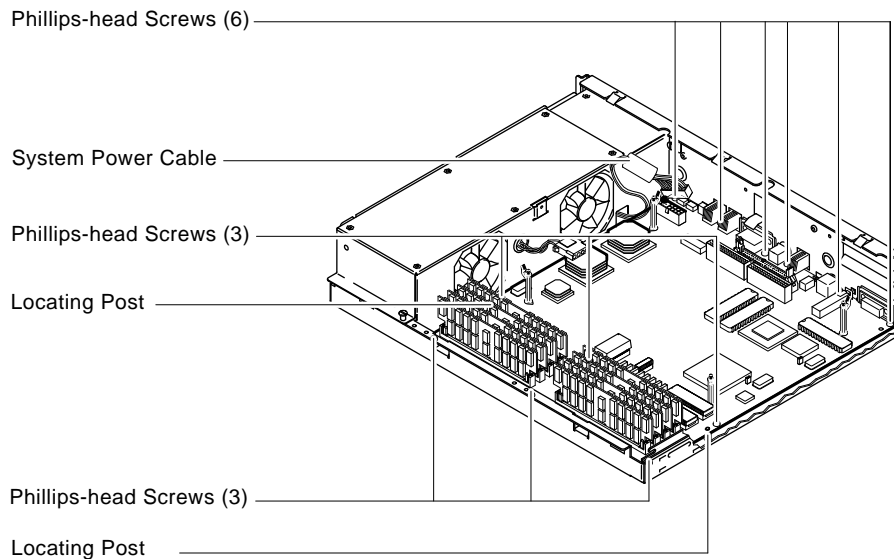
Figure 4-22 Removing Memory Modules



### 4.2.8 System Module Removal

To remove a system module:

1. Disconnect all cables from the back of the system box.
2. Remove the system box cover (refer to Section 4.2.1).
3. Remove the drive plate (refer to Section 4.2.5).
4. Remove the graphics coprocessor module (if installed) from the system (refer to Section 4.2.6).
5. Disconnect the system power cable from the system module by releasing the lock on the connector (refer to Figure 4-23).



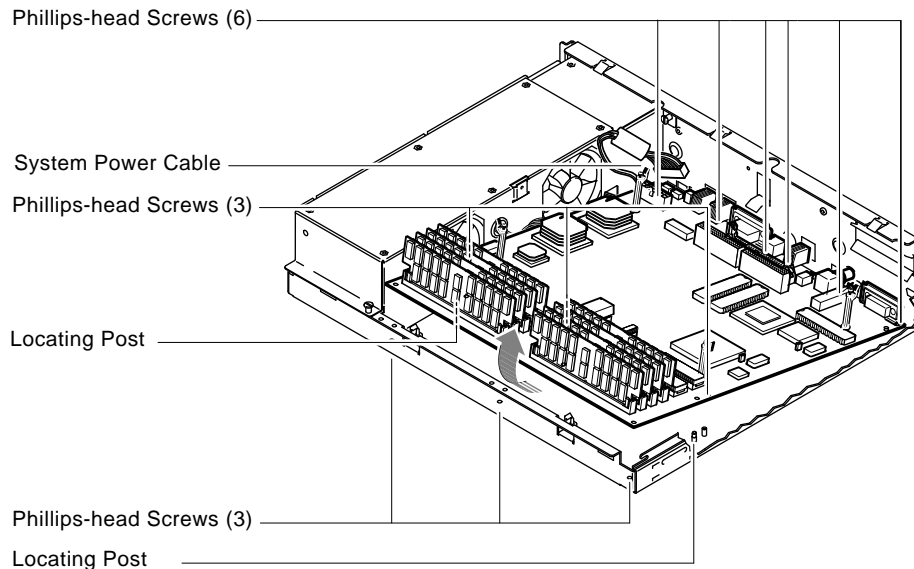
MA-1382-90.DG

**Figure 4-23 System Module**

6. Remove the twelve Phillips-head screws from the system module as shown in Figure 4-23.

7. Remove the system module by carefully popping up the two front corners off the two locating posts as shown in Figure 4-24.

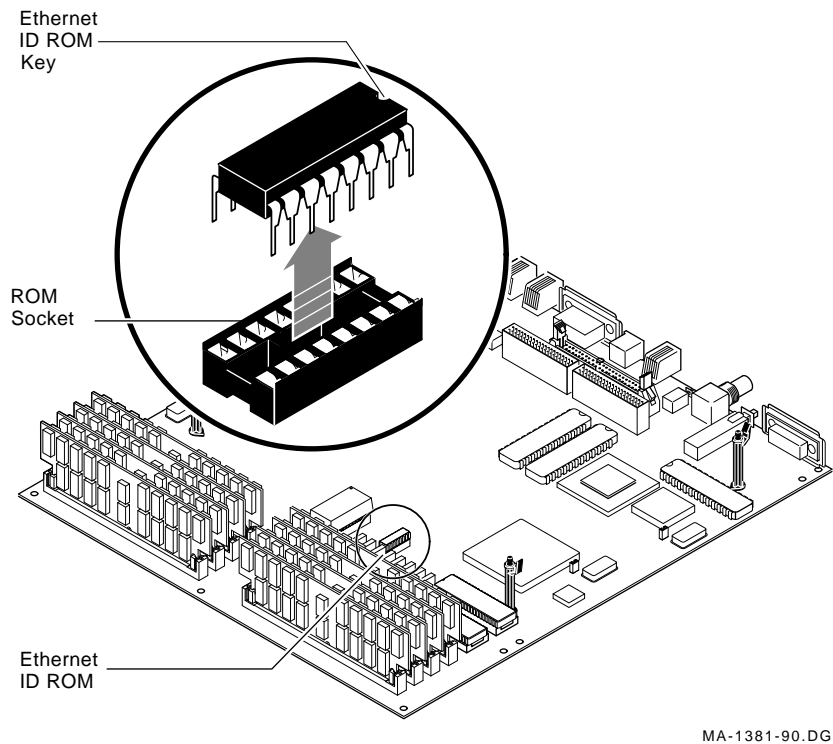
**CAUTION**  
**ROM chips are static sensitive devices. An antistatic wriststrap should be worn while removing or replacing a ROM chip.**



MA-1328-90.DG

**Figure 4-24 Removing the System Module**

8. Remove the memory SIMMs (refer to Section 4.2.7).
9. Use either a ROM puller or slide a small screwdriver under each end of the Ethernet ID ROM, and carefully lift the ends until you can remove the ROM from the system module. Figure 4-25 shows the Ethernet ID ROM.



MA-1381-90.DG

Figure 4-25 Removing the Ethernet ID ROM

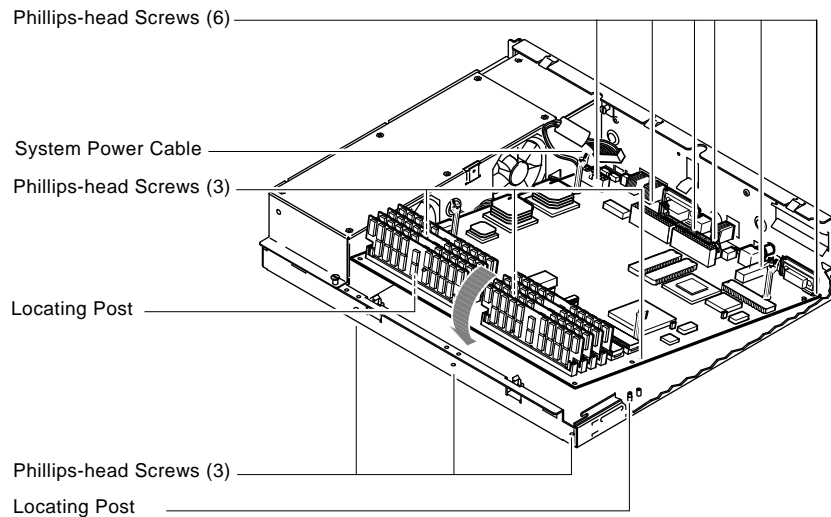
**CAUTION**

**Do not bend the pins on the ROM. You must add this ROM to the replacement system module. The Ethernet ID ROM key must face the back of the system. If you put the Ethernet ID ROM in backwards, the system will not function properly. See Figure 4-25 for the proper orientation of the Ethernet ID ROM key.**

To replace a system module:

1. Remove the Ethernet ID ROM from the new system module and reinstall it on the old system module.
2. Take the Ethernet ID ROM you removed from the old system module and insert it in the new system module. Use Figure 4-25 as a reference. The key faces the rear of the module.

- Place the new system module in the system box making sure the connectors slide through the openings in the rear of the system box as shown in Figure 4-26.



MA-1383-90.DG

**Figure 4-26 Installing the System Module**

- Push the module toward the back of the box until the front set of holes on either side of the module fit on the two locating posts on the bottom of the box. You must apply some pressure because of the elasticity of the connector shieldings surrounding the connectors at the back of the module. Snap the module on the locating posts.
- Check that the screw holes are aligned. Install and tighten the twelve Phillips-head screws.
- Plug in the power cable on the system module.
- Replace the memory SIMM(s).
- Reinstall the graphics coprocessor by aligning it with the four standoffs and applying downward pressure so as to lock the locating pins.

9. Reinstall the drive plate and install all the cables in the system box.
10. Reinstall the system box cover.
11. Reinstall all the cables and terminators to the rear of the box.

#### 4.2.9 Internal SCSI Bus Data Cable Removal

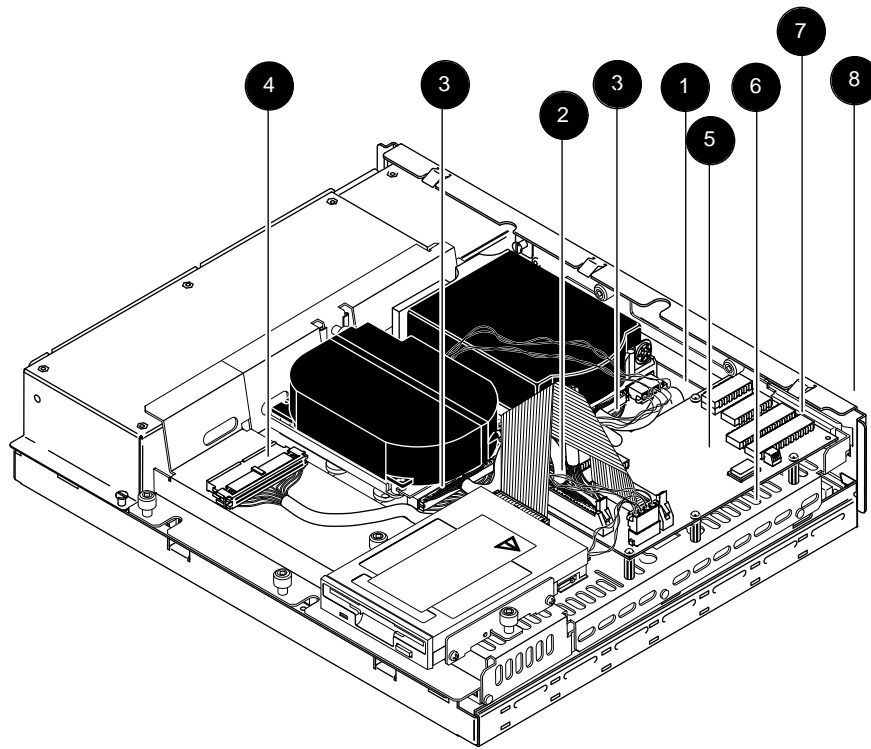
To remove the internal SCSI bus data cable, remove the system box cover (refer to Section 4.2.1 and Figure 4-27) and then:

- ① Disconnect the SCSI bus data cable from the system module.
- ② If you have an RX23 disk drive, disconnect the SCSI bus data cable from its drive module.
- ③ Disconnect the SCSI bus data cable from all the hard drives. Note that if you remove the drives from the drive plate, it is easier to disconnect the cable.
- ④ Remove the end of the SCSI bus data cable from the Velcro at the front of the drive plate by lifting the cable straight up. Then remove the terminator from the cable.
- ⑤ Remove the SCSI/FDI module.
- ⑥ Cut the tie wrap that holds the cable and the ferrite core on the drive.
- ⑦ Remove the two screws that hold the cable to the drive plate at the external SCSI port.
- ⑧ Lift the cable out of the hole in the drive plate and away from the external SCSI port.

#### CAUTION

**To prevent possible damage to the RX23 SCSI bus data cable *do not* place cable across the SCSI/FDI module connector *tabs*.**

Reverse this removal procedure to reinstall the internal SCSI bus data cable. Ensure that you replace the tie wrap and the internal terminator (refer to Figure 4-27).



MA-1385-90.DG

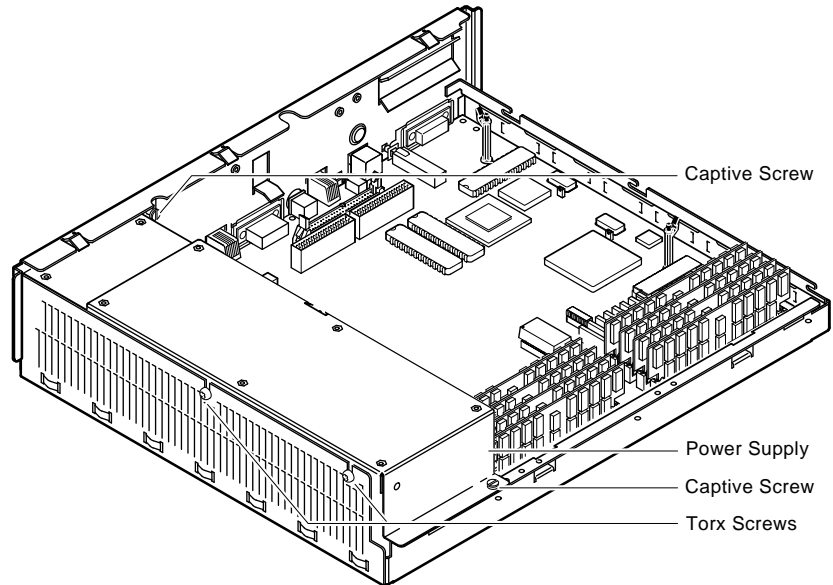
**Figure 4-27 Removing the Internal SCSI Bus Data Cable**

#### **4.2.10 Power Supply Removal**

To remove a power supply:

1. Remove the system box cover (refer to Section 4.2.1).
2. Remove the drive plate (refer to Section 4.2.5).
3. Disconnect the power cable from the system module (refer to Figure 4-26).

4. Unscrew the two flat-head captive screws and the two Torx screws on the side as shown in Figure 4-28.



MA-1331-90.DG

**Figure 4-28 Power Supply Screw Locations**

5. Lift the power supply out of the system box.
6. Reverse this removal procedure to install a new power supply.

#### **4.2.11 Keyboard Removal**

**CAUTION**

**Do not remove or unplug the keyboard, mouse, printer, or terminator without turning the power OFF. If the system is up and running, use the proper shutdown procedure prior to halting the system.**

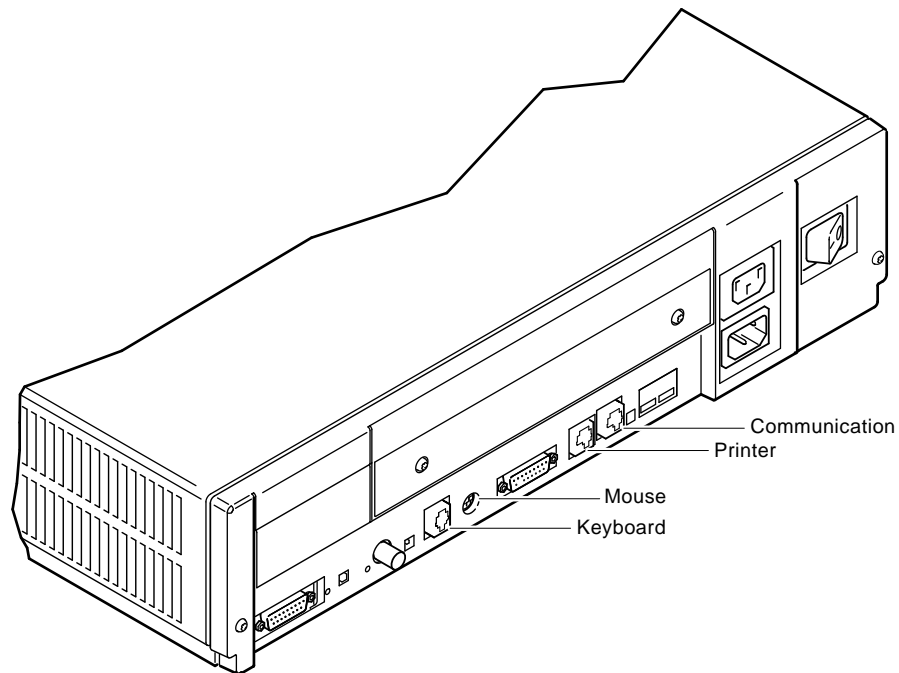
Unplug the keyboard cable from the rear of the system box (refer to Figure 4-29).

**NOTE 1**

**The keyboard is a single FRU. Do not try to remove the keycaps or disassemble the keyboard.**

**NOTE 2**

**The keyboard must always be plugged directly into the back of the unit.**



MA-1332-90.DG

**Figure 4-29 Keyboard, Mouse, and Printer Removal**



#### 4.2.12 Mouse Removal

Disconnect the mouse from the back of the system box (refer to Figure 4-29).

##### CAUTION

**Do not remove or unplug the keyboard, mouse, printer, or terminator without turning the power OFF. If the system is up and running, use the proper shutdown procedure prior to halting the system.**

##### NOTE 1

**The mouse and the tablet are single FRUs. Do not try to disassemble them.**

##### NOTE 2

**The mouse must always be plugged directly into the back of the unit.**

#### 4.2.13 Printer Removal

##### CAUTION

**Do not remove or unplug the keyboard, mouse, printer, or terminator without turning the power OFF. If the system is up and running, use the proper shutdown procedure prior to halting the system.**

To remove a printer:

1. Switch the printer's power switch OFF.
2. Disconnect the printer cable from the back of the system box (refer to Figure 4-29) or from the back of the printer.
3. Refer to the specific printer's pocket service guide for troubleshooting and removal and replacement procedures for the printer.

# A

## Recommended Spares List

Part Number	Description	Quantity
<u>VAXstation 3100 Model 76</u>		
54-19847-01	VAXstation Model 76 system module (VS43A-xx)	1
54-19288-01	SCSI/FDI adapter module	1
54-17282-01	8-plane graphics coprocessor module (VS40X-PA)	1
RZ22-E	52 Mbyte SCSI disk drive with logic module	1
29-27240-01	104 Mbyte SCSI disk drive with logic module (RZ23-E)	1
RZ23L-E	121 Mbyte SCSI disk drive with logic module (RZ23L-E)	1
RZ24-E	209 Mbyte SCSI disk drive with logic module	1
29-27240-01	RZ22/RZ23 module/frame assembly	1
29-28144-01	Module/frame assembly (RZ24)	1
54-19623-01	8-plane SPX graphics coprocessor module (WS01X-GA/GB)	1
MS44-AA	4 Mbyte DSIMM memory	8
H7821-00	Power supply	1
RX23-AA	RX23 with SCSI adapter assembly (RX23-AA)	1
17-02220-01	Internal power cable	1
17-02221-01	Internal RX23 data cable	1
17-02221-02	RX23 data cable (connects RX23 to SCSI adapter module)	1
17-02945-01	Internal SCSI bus data cable	1

74 Recommended Spares List

<b>Part Number</b>	<b>Description</b>	<b>Quantity</b>
12-33816-01	Internal SCSI terminator	1
<u>VAXstation 3100 Model 76 (loopbacks, terminators, and external cables)</u>		
17-01992-01	BC23J-03 color monitor cable (short)	1
17-01993-01	BC23K monochrome monitor cable (short)	1
17-00606-10	System power cord (USA)	1
17-00442-26	System-to-monitor power cord	1
17-02008-01	68 to 50-pin external SCSI port cable	1
17-01351-01	50 to 50-pin SCSI cable	1
17-01351-04	50-pin SCSI cable (18 inches)	1
12-22196-01	Standard Ethernet loopback	1
12-25869-01	ThinWire Ethernet T-connector	1
12-26318-01	ThinWire Ethernet cable 50-ohm terminator	2
12-25083-01	MMJ loopback connector (H3103)	2
12-29635-01	68-pin external SCSI port terminator	1
12-30552-01	50-pin SCSI terminator	1
17-00811-03	BC16E-25 DECconnect office cable (25 feet)	2
17-00811-04	BC16E-50 DECconnect office cable (50 feet)	1
<u>BA42 Expansion Box FRUs</u>		
RX23-AA	RX23 disk drive	1
RX33-A	RX33 disk drive	1
TZ30-A	TZ30 tape drive	1
54-19325-02	SCSI ID switch module	1
17-00606-10	System power cord (USA)	1
17-02443-01	68—50 external SCSI cable	1
17-02446-01	50—50 external SCSI cable	1
17-02445-01	SCSI ID switch cable	1
17-02447-01	Internal power supply cable w/resistor	1

<b>Part Number</b>	<b>Description</b>	<b>Quantity</b>
17-02444-01	Internal data cable	1
TZK10-ZZ	—	—
H7821-00	Power supply	1
17-00606-10	Power cord (USA)	1
29-28145-01	RZ24 HDA	1
70-26717-01	RZ55 disk drive	1
29-27347-01	RZ55 PCB	1
29-27890-01	RZ56 HDA	1
29-27889-01	RZ56 PCB	1
29-28159-01	RZ57 HDA	1
29-28158-01	RZ57 PCB	1
54-19288-01	SCSI/FDI adapter module	1
74-39202-01	Full height drive mounting bracket	1
74-41483-01	Half height drive mounting bracket	1
RX23-EA	RX23 3-1/2 inch floppy disk drive	1
RX33-A	RX33 5-1/4 inch floppy disk drive	1
RX23L-E	RX23L disk drive	1
TZ30-AX	TZ30 1/2 inch cartridge tape drive	1
TZK10-AA	TZK10 1/4 inch cassette (QIC) tape drive	1
<u>RRD40 Compact Disk Expansion Box FRUs</u>		
RRD40-DA	RRD40 compact disk expansion box (with SCSI interface)	1
<u>Miscellaneous Parts</u>		
LK201-XX	Keyboard (USA keycaps)	1
17-01480-01	VSXXX-AA mouse	1
29-25997-00	Tablet assembly	1
70-27986-01	Drive plate assembly	1

76 Recommended Spares List

<b>Part Number</b>	<b>Description</b>	<b>Quantity</b>
74-41401-01	Metal standoff	1
74-41401-02	Metal standoff	1
74-41401-03	Metal standoff	1
74-41401-04	Metal standoff	1
12-31489-01	Thermal pad	1
30-23507-03	RRD40 test disk	1
29-27338-01	RRD40 empty caddy	1
30-20515-01	TZ30 blank media	1
30-25145-05	RX23 blank media	1
29-25995-00	Stylus	1
29-25996-00	Puck	1
29-25992-00	Mouse ball	1
29-25993-00	Mouse door	1
90-07032-00	Tie wrap	1
90-07031-00	Tie wrap	1
A2-M1329-10	Color maintenance kit (two 75-ohm terminators 29-26899-00)	1

# B

## Self-Tests

---

### B.1 Console's Configuration Display Utility (T 50)

The results of the self-test are available through the console's configuration display utility (T 50). The general format is as pictured below.

```
>>> T 50
```

```
KA43-A V1.0
ID xx-xx-xx-xx-xx-xx

MONO      0000.0xxx          (test F)
CLK       0000.00xx         (test E)
NVR       0000.00xx         (test D)
DZ        0000.xxxx         (test C)
          0000xxxx 0000xxxx 0000xxxx 0000xxxx kkkkkkkk mmmmmmmmm
MEM       000y.00xx          (test B)
          ssssssss 0000mmmm
FP        0000.000x         (test 9)
IT        0000.000x         (test 8)
SCSI A    wxy0.wxyz         (test 7)
          ddmsstt ddmsstt ddmsstt ddmsstt ddmsstt ddmsstt ddmsstt
SCSI B    wxy0.wxyz         (test 6)
          ddmsstt ddmsstt ddmsstt ddmsstt ddmsstt ddmsstt ddmsstt
SYS       0000.0xxx         (test 5)
8PLN     0000.0001 V1.0
NI        xxxx.yyyy         (test 1)
```

### B.2 NI (test 1)

The NI status has one longword of status and error information, formatted as follows:

```
xxxx.yzzz
```

where *y* is the subtest number, *zzz* is the subtest status, and *xxxx* has variable meaning depending upon the value of *y*.

## 78 Self-Tests

Should the initialization code encounter an error, the test number will be zero.

```
^x0002 ; could not find a good page of memory for init block
^x0004 ; could not find 3 contiguous pages for receive buffer
^x0006 ; could not find 3 contiguous pages for transmit buffer
```

### B.2.1 TEST 1:

```
^x1002 ; failed init
^x1004 ; RX not enabled
^x1006 ; TX enabled
^x1008 ; init failed
^x100A ; RX enabled
^x100C ; TX not enabled
```

### B.2.2 TEST 2:

high word : pkt data length (1 byte), index into pattern table (1 byte)

```
^x2002 ; init failed
^x2004 ; failed loop
```

### B.2.3 TEST 3:

high word : pkt data length (1 byte), index into pattern table (1 byte)

```
^x3002 ; init failed
^x3004 ; failed loopback
^x3006 ; no CRC match
^x3008 ; init failed
^x300A ; failed TX
^x300C ; failed RX
^x300E ; init failed
^x3010 ; failed TX
^x3012 ; OWN not toggled
^x3014 ; no RX error
^x3016 ; no STP
^x3018 ; no ENP
^x301A ; no CRC error
^x301C ; no FRAM error
^x301E ; no RINT
```

**B.2.4 TEST 4:**

high word : multicast filter bit number being tested

```

#^x4002 ; init failed
#^x4004 ; TX failed
#^x4006 ; packet received
#^x4008 ; bad filter value
#^x400A ; init failed
#^x400C ; failed loopback
#^x400E ; init failed
#^x4010 ; failed loopback

```

**B.2.5 TEST 5:**

```

#^x5002 ; init failed
#^x5004 ; OWN not toggled
#^x5006 ; no RTRY error
#^x5008 ; TX turned off
#^x500A ; init failed
#^x500C ; TX failed
#^x500E ; no rcv MISS

```

**B.2.6 TEST 6:**

```

#^x6002 ; init failed
#^x6004 ; loopback failed
#^x6006 ; bad CSR0
#^x6008 ; no NI interrupt
#^x600A ; init failed
#^x600C ; loopback failed
#^x600E ; wrong # of int's.
#^x6010 ; NI int. bits set

```

**B.2.7 TEST 7:**

```

#^x6002 ; init failed
#^x6004 ; loopback failed
#^x6006 ; bad CSR0
#^x6008 ; no NI interrupt
#^x600A ; init failed
#^x600C ; loopback failed
#^x600E ; wrong # of int's.
#^x6010 ; NI int. bits set

```



### B.3 COLOR (test 4)

8-plane video option board:

Error code format :

xxx.yyyz Where z = 1 for normal  
          2 for fatal error  
          3 for soft error  
  
   yyy = test that failed (from the error codes )  
  
   xxx = error or status number within the  
          particular test

error\$\_initialization = x0001  
error\$\_chip\_select = x0002  
error\$\_long\_memory = x0003  
error\$\_memory = x0004  
error\$\_id\_data = x0005  
error\$\_scrolling = x0006  
error\$\_fcc\_initialization = x0007  
error\$\_fcc\_ram\_counters = x0008  
error\$\_fcc\_ram = x0009  
error\$\_Display\_List\_Commands = x0010  
error\$\_short\_display\_list = x0011  
error\$\_packing = x0012  
error\$\_compression\_b = x0013  
error\$\_adder\_interrupt = x0014  
error\$\_fcc\_interrupt = x0015  
error\$\_vdac = x0016  
error\$\_cursor\_bitmap = x0017  
error\$\_sync\_readback = x0018  
error\$\_left\_edge\_detect = x0019  
error\$\_right\_edge\_detect = x0020  
error\$\_video\_readback = x0021  
error\$\_cursor\_readback = x0022

**8-plane video option board:  
Error code format :**

xxx.yyyz Where z = 1 for normal  
          2 for fatal error  
          3 for soft error

yyy = test that failed (from the error codes )

xxx = error or status number within the  
particular test

initialization    x01  
chip\_select      x02  
memory\_data\_path  x3A  
short\_memory     x04  
id\_data          x05  
scrolling        x06  
fcc\_initialization  x07  
fcc\_ram\_counters  x08  
fcc\_ram          x09  
short\_display\_list  x11  
packing          x12  
compression\_b    x13  
adder\_interrupt   x14  
fcc\_interrupt     x15  
vdac             x16  
cursor\_bitmap    x17  
sync\_readback    x18  
video\_readback   x21  
left\_edge\_detect  x19  
right\_edge\_detect x20  
cursor\_readback   x22

## B.4 SYS (test 5)

The system power-up self-test has one longword of status and error information, formatted as follows:

```
SYS      0000.0XXX
```

where `xxx` is one of the status or error codes listed in the following table.

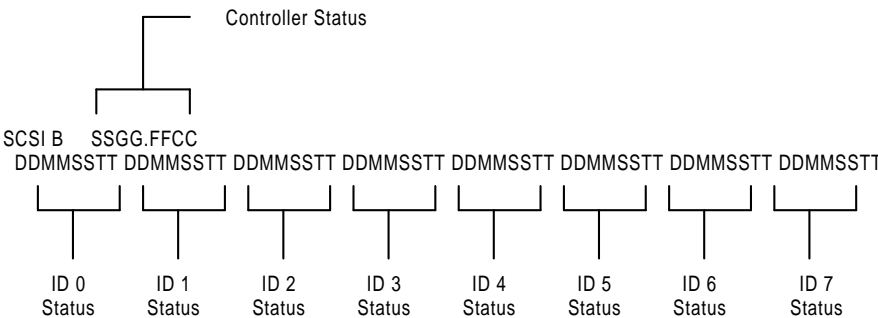
---

<b>Error Code</b>	<b>Status</b>	<b>Description</b>
1	Status:	Success
2	Error:	System ROM failed checksum
4	Error:	Ethernet ROM failed checksum
8	Error:	No interrupts pending
10	Error:	All of the expected interrupts failed to happen
20	Error:	One of the interrupts was not enabled but happened anyway
40	Error:	Improper priority
80	Error:	Default interrupt service routine was called. An interrupt that was not enabled occurred
100	Error:	No keyboard found in the system configuration

---

### B.5 SCSI-B (test 6)

The SCSI-B power-up self-test has one longword of status information for the controller and eight longwords of status information for the devices. The formats of each are pictured below.



where the controller status fields are:

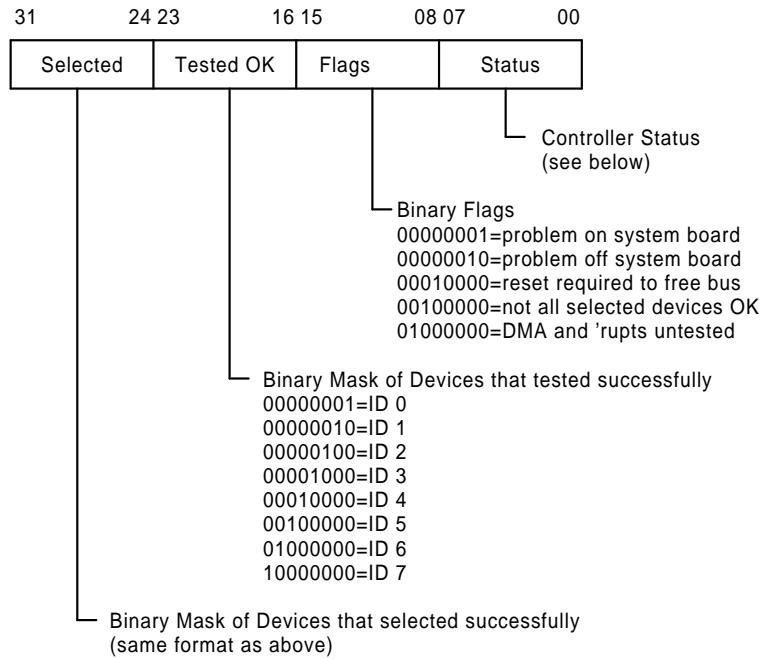
- SS is a bitmask of target IDs that could be selected
- GG is a bitmask of target IDs that tested OK
- FF is a set of bitmask flags
- CC is the controller status/error code

where each target status field is:

- DD is the first byte returned in the Inquiry data phase
- MM is the first byte returned in the Inquiry message\_in phase
- SS is the first byte returned in the Inquiry status phase
- TT is the target status/error code

Another look at controller status:

84 Self-Tests



<b>Controller Status</b>		
<b>Code</b>	<b>Status</b>	<b>Description</b>
01	Status:	Everything is fine
02	Error:	Disk/tape buffer RAM addressing failure
04	Error:	Disk/tape buffer RAM byte mask failure
06	Error:	Disk/tape buffer data path failure
10	Error:	Error in 5380 SCSI registers during reset
12	Error:	Error in 5380 SCSI registers after reset
20	Error:	Unexpected interrupt after reset, IPL = 1Fh
22	Error:	No interrupt request after reset
24	Error:	No interrupt after reset when IPL has been lowered
26	Error:	Interrupt request not cleared following ISR (after reset)
28	Error:	Multiple interrupts following reset
2A	Error:	Unknown interrupt following reset
2C	Error:	Wrong interrupt following reset
30	Error:	Phase not 'bus free' at start of test (even after a reset)
40	Error:	First attempt to read 5380 SCSI register (ini_cmd) failed
42	Error:	5380 SCSI register address test failed at ini_cmd
44	Error:	5380 SCSI register address test failed at mode
46	Error:	5380 SCSI register address test failed at tar_cmd
48	Error:	5380 SCSI register address test failed at scd_cnt (in standard cell)
4A	Error:	Mode<dma> found set after being cleared when ini_cmd<bsy> clear
4C	Error:	Mode<dma>found set after being set when ini_cmd<bsy>clear
4E	Error:	Mode<dma> found set after being cleared when ini_cmd<bsy> set
50	Error:	Mode<dma> found clear after being set when ini_cmd<bsy>set
60	Error:	Data output to bus with ini_cmd<enout> clear

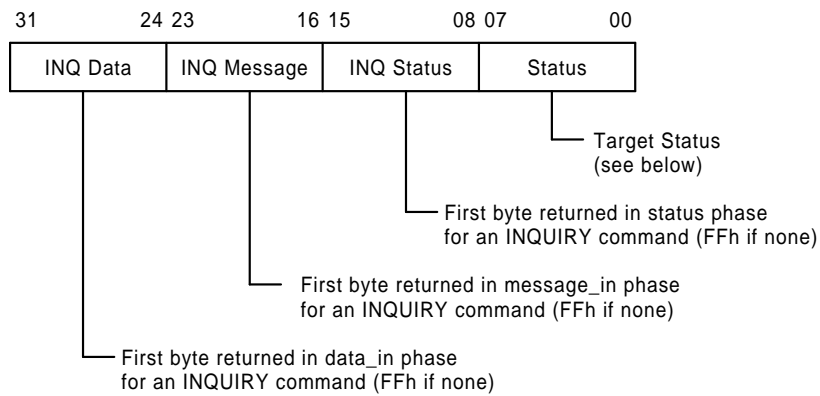
<b>Controller Status</b>		
<b>Code</b>	<b>Status</b>	<b>Description</b>
62	Error:	No data to bus with ini_cmd<enout>set
64	Error:	Parity bit (cur_stat<dbp>) does not correspond with data on bus
66	Error:	With bus free, data in did not match data out
68	Error:	ini_cmd<sel> to cur_stat<sel> mismatch
6A	Error:	ini_cmd<ack> to status<ack>, or ini_cmd<atn> to status<atn> mismatch
6C	Error:	tar_cmd<req> to cur_stat<req>, or tar_cmd<MSG> to cur_stat<MSG>, or tar_cmd<cd> to cur_stat<cd>, or tar_cmd<io> to cur_stat<io> mismatch with mode<targ> set
6E	Error:	Clearing mode<targ>does not prevent tar_cmd bits from appearing on the bus (in cur_stat)
70	Error:	ISR hit with IPL = 1Fh and int_msk<sc> clear
72	Error:	Interrupt request (int_req<sc>) set for no apparent reason
74	Error:	SCSI's status<intreq> set for no apparent reason
80	Error:	Bus busy at start of interrupt test so we cannot test them
82	Error:	ISR hit following bus free with IPL = 1Fh and int_msk<sc>clear
84	Error:	Interrupt request (int_req<sc>) not set following bus free
86	Error:	SCSI's status<intreq> not set following bus free
88	Error:	Status<bsyerr> was not set even though it caused an interrupt
90	Error:	Bus busy during interrupt test so we cannot test them
92	Error:	ISR hit following bus free with IPL = 1Fh and int_msk<sc> set
94	Error:	Interrupt request (int_req<sc>) not set following bus free
96	Error:	SCSI's status<intreq> not set following bus free
98	Error:	Status<bsyerr> not set following bus free
A0	Error:	Bus busy during interrupt test so we cannot test them
A2	Error:	Timeout waiting for bus free interrupt

<b>Controller Status</b>		
<b>Code</b>	<b>Status</b>	<b>Description</b>
A4	Error:	ISR not hit following bus free
A6	Error:	Interrupt request (int_req<sc>) not cleared following ISR after bus free
A8	Error:	SCSI's status<intreq> not set following bus free
AA	Error:	Multiple interrupts from bus free
AC	Error:	Unknown interrupt from bus free
AE	Error:	Wrong interrupt from bus free
B0	Error:	Bus busy during interrupt test so we cannot test interrupts
B2	Error:	Timeout waiting for parity interrupt
B4	Error:	ISR not hit following parity
B6	Error:	Interrupt request (int_req<sc>) not cleared following ISR after parity
B8	Error:	SCSI's status<intreq> not set following parity
BA	Error:	Multiple interrupts from parity
BC	Error:	Unknown interrupt from parity
BE	Error:	Wrong interrupt from parity
C0	Error:	Phase not 'bus free' before arbitration
C2	Error:	ini_cmd<aip> bit failed to set
C4	Error:	Lost arbitration (first check of ini_cmd<la>)
C6	Error:	Higher priority device on bus
C8	Error:	Lost arbitration (second check of ini_cmd<la>)
D0	Error:	Not all selected targets tested OK (basically the same as flag 2)



Another look at device status:

There is a status longword for each possible device (eight of them) on the bus. Each of these statuses has the following format:



The device statuses appear on the screen in increasing ID order, that is, the device whose ID is zero is on the left and the device whose ID is seven is rightmost. Note that ID SIX is reserved by the system architecture to be the host ID.

Target Status Code	Status	Description
FF	Status:	Status: target untested
01	Status:	This target is fine
03	Status:	This ID used for the host
05	Status:	Target did not respond to selection
10	Error:	Target did not set cur_stat<req>soon enough when changing phase
12	Error:	Jitter on the phase lines when changing phase
20	Error:	Target set command phase twice
22	Error:	Target changed phase before command complete
24	Error:	Target failed to set cur_stat<req> when getting command

<b>Target Status Code</b>	<b>Status</b>	<b>Description</b>
26	Error:	Target failed to clear cur_stat<req> when getting command
28	Error:	Command phase out of sequence
2A	Error:	Stuck in command phase
30	Error:	Target set data_in phase twice
32	Error:	Target failed to set cur_stat<req> when returning data
34	Error:	Target failed to clear cur_stat<req> when returning data
36	Error:	Target changed data_in phase before transferring any data
38	Error:	Data_in phase out of sequence
3A	Error:	Stuck in data_in phase
40	Error:	Target set status phase twice
42	Error:	Target failed to set cur_stat<req> when returning data
44	Error:	Target failed to clear cur_stat<req> when returning data
46	Error:	Target changed status phase before transferring any data
48	Error:	Status phase out of sequence
4A	Error:	Stuck in status phase
50	Error:	Target set message_in phase twice
52	Error:	Target failed to set cur_stat<req> when returning data
54	Error:	Target failed to clear cur_stat<req> when returning data
56	Error:	Target changed message_in phase before transferring any data
58	Error:	Message_in phase out of sequence
5A	Error:	Stuck in message_in phase
60	Error:	Target set data_out phase (unexpectedly)
62	Error:	Target set phase to 100b (reserved phase)
64	Error:	Target set phase to 101b (reserved phase)
66	Error:	Target set message_out phase

<b>Target Status Code</b>	<b>Status</b>	<b>Description</b>
68	Error:	Selected target did not set any phase before releasing bus
70	Error:	Target not following expected phase sequence
72	Error:	Parity error detected during programmed I/O transfer
80	Error:	Unexpected interrupt at start of DMA test
90	Error:	Target failed to set command phase
92	Error:	Unexpected interrupt at start of command phase sequence
94	Error:	Timeout waiting for DMA complete in command phase in DMA test
96	Error:	No status<DMAEND> following command phase in DMA test
98	Error:	Wrong interrupt following command in DMA test
9A	Error:	scd_cnt not zero following command in DMA test
9C	Error:	DMA not complete after EOP in command phase (ACK not clear soon enough)
A0	Error:	Status<dmaend> bit not cleared by clearing mode<dma> at start of data_in phase in DMA test
A2	Error:	Target failed to set data_in phase in DMA test
A4	Error:	Timeout waiting for DMA complete in data_in phase in DMA test
A6	Error:	No status<dmaend> following data_in phase in DMA test
A8	Error:	Wrong interrupt following data_in phase in DMA test
AA	Error:	scd_cnt not zero following data_in phase in DMA test
AC	Error:	DMA not complete after EOP in data_in phase (ACK not clear soon enough)
B0	Error:	Status<dmaend>not cleared by clearing mode <dma> at start of status phase in DMA test
B2	Error:	Target failed to set status phase in DMA test
B4	Error:	Timeout waiting for DMA complete in status phase in DMA test
B6	Error:	No status<dmaend> following status phase in DMA test

<b>Target Status Code</b>	<b>Status</b>	<b>Description</b>
B8	Error:	Wrong interrupt following status in DMA test
BA	Error:	scd_cnt not zero following status in DMA test
BC	Error:	DMA not complete after EOP in status phase (ACK not clear soon enough)
C0	Error:	Status<dmaend> not cleared by clearing mode<dma> at start of message_in phase in DMA test
C2	Error:	Target failed to set message_in phase in DMA test
C4	Error:	Timeout waiting for DMA complete in message_in phase in DMA test
C6	Error:	No status<dmaend> following message_in phase in DMA test
C8	Error:	Wrong interrupt following message_in phase in DMA test
CA	Error:	scd_cnt not zero following message_in phase in DMA test
CC	Error:	DMA not complete after EOP in message_in phase (ACK not clear soon enough)
D0	Error:	Status<dmaend> not cleared by clearing mode <dma> at end of DMA test
D2	Error:	Bus not free soon enough at end of DMA test

Additional debug information in disk/tape buffer.

SCSI registers and software flags are saved in this format:

Offset	Size	Description
00	.byte	cur_data (5380 register)
04	.byte	ini_cmd (5380 register)
08	.byte	mode (5380 register)
0c	.byte	tar_cmd (5380 register)
10	.byte	cur_stat (5380 register)
14	.byte	status (5380 register)
18	.byte	in_data (5380 register)
1c	.word	scd_cnt (standard cell register)
20	.long	software's controller status
24	.byte	software's phase_seen flags bit 7=message_in, 6=message_out, 5=reserved, 4=reserved, 3=status, 2=command, 1=data_in, 0=data_out
28	.long	software's interrupt flags bit9=unknown interrupt, 8=bus reset, 7=bus disconnect, 6=phase mismatch, 5=parity error, 4=DMA EOP, 3=reselect, 2=select, 1=multiple interrupts detected, 0=at least one interrupt detected

200D.0x00 - SCSI registers following inquiry command to ID 'x'

200D.0x40 - request\_sense data\_in from ID 'x' (if any)

200D.0x80 - inquiry DMA data\_in from ID 'x' (if any)

200D.0xC0 - inquiry DMA status from ID 'x' (if any)

200D.0xE0 - inquiry DMA message\_in from ID 'x' (if any)

Offset	Size	Description
		200D.0a00 - SCSI registers at end of test_scsi_interrupts
		200D.0b00 - SCSI registers at end of test_scsi_reg_function
		200D.0c00 - SCSI registers at end of test_scsi_reg_addr
		200D.0d00 - SCSI registers at end of test_disk_buffer
		200D.0e00 - SCSI registers at end of test_scsi_bus_free
		200D.0f00 - SCSI registers at start of test

## B.6 SCSI-A (test 7)

These tests, codes, and registers are the same as those shown for test 6.

## B.7 IT (test 8)

The interval timer power-up self-test has one longword for status information in the following format:

```
IT      0000.000X
```

where x is one of the status or error codes listed in the following table:

Code	Status	Definition
1	Status:	Success
2	Error:	Fatal error

## B.8 FP (test 9)

The floating point unit power-up self-test has one longword for status information in the following format:

```
FP      0000.000X
```

where *x* is one of the status or error codes listed in the following table:

Code	Status	Definition
1	Status:	Success
2	Error:	Floating point error
4	Error:	Invalid floating point exception

## B.9 MEM (test B)

The memory power-up self-test has two or three longwords for status information in the following format:

```
MEM      00YY.00XX (if no missing memory)
          SSSSSSSS
```

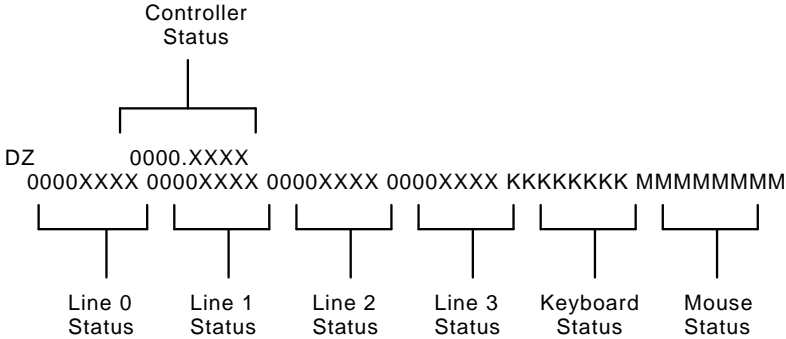
```
MEM      00YY.00XX (if some memory is bad)
          SSSSSSSS 0000MMMM
```

where *Y* is the number of megabytes that are expected to be in the system (from the CFGTST register), and *xx* is one of the status or error codes listed in the following table. The first error code for the MEM indicates the status of all the main memory system. The second line contains additional information on the memory system, where *SSSSSSSS* is the total number of bytes of good memory found in the system. If this field is not in an even megabyte value (that is, 00020000), then the second field, *MMMM*, will be displayed to indicate the failing megabyte bank. Each bit in the *YYYY* status code indicates the status for one bank of memory (bit set means bad). In some cases, where a parity error was detected, two banks may indicate a bad bank of memory since the test does the testing on a nonpage aligned region at the beginning of one page and at the end of the previous page.

Code	Status	Definition
1	Status:	Success
2	Error:	Failure in test_address routine
4	Error:	Byte mask failure
8	Error:	Data/address test failure
10	Error:	No memory was found during sizing
20	Error:	Unexpected parity error
40	Error:	Memory sizing error
80	Error:	Actual memory size does not match CFGTST register

### B.10 DZ (test C)

The serial line (DZ) power-up self-test has one longword for general controller status information, four longwords for line status information, and two longwords for status information of any keyboard or pointing device on the system. The format is as follows:



where `XXXX` is one of the status or error codes listed in the following table, `KKKKKKKK` is the keyboard's internal self-test status code, and `MMMMMMMM` is the mouse or tablet's internal self-test status code. The keyboard and mouse are tested only at power-up, so these values will not change when test C is executed from the console.



Expected values for the keyboard status code are:

00000000 if TEAMmate or no keyboard  
 00000001 if OK  
 000000FD if loopback

Expected values for the mouse status code are:

00000000 if TEAMmate or no mouse  
 000012A0 if OK  
 00000054 if loopback

<b>Code</b>	<b>Status</b>	<b>Definition</b>
1	Status:	Success
4000	Status:	This line is untested (for VAXstar: line 3 used as console; for TEAMmate: line 0 used as console)
2	Error:	Master reset failed
4	Error:	Failure in basic ser_csr test
8	Error:	Failure in ser_csr read/write test
10	Error:	Basic test of ser_tcr failed
20	Error:	Read/write test of ser_tcr failed
40	Error:	Transmitter ready test failed
80	Error:	Receiver ready test failed
100	Error:	Transmitter interrupt timeout
200	Error:	Receiver interrupt timeout
400	Error:	Either transmitter or receiver interrupted at the wrong priority
800	Error:	Receiver interrupt occurred when the receiver was not enabled
1000	Error:	Data comparison error
2000	Error:	Overrun error did not happen when expected
8000	Error:	Error in the modem control logic test

## B.11 NVR (test D)

The nonvolatile RAM (NVR) power-up self-test has one longword of status information in the following format:

```
NVR      0000.00XX
```

where `XX` is one of the status or error codes listed in the following table:

Code	Status	Definition
1	Status:	Success
5	Status:	Battery voltage was low since last entry
8	Error:	NVR failed
80	Error:	The battery check code in the NVR did not agree with the expected check code

## B.12 CLK (test E)

The time-of-year clock (CLK) power-up self-test has one longword of status information in the following format:

```
CLK      0000.00XX
```

where `XX` is one of the status or error codes listed in the following table:

Code	Status	Definition
1	Status:	Success
5	Status:	Clock has not been reset since the last time the battery voltage was low
3	Error:	Internal test value to inform dispatcher to check time at the end of the testing (should never be reported)
4	Error:	Invalid time set
10	Error:	Failure in time-of-year test
20	Error:	VRT bit failed to set after it was read the first time
40	Error:	Battery voltage level was down during the clock test

### B.13 MONO (test F)

The monochrome video display controller (MONO) power-up self-test has one longword of status information in the following format:

```
MONO      0000.0XXX
```

where `xxx` is one of the status or error codes listed in the following table:

<b>Code</b>	<b>Status</b>	<b>Definition</b>
1	Status:	Success
4	Error:	Memory byte mask failure
8	Error:	Memory error
10	Error:	End-of-frame bit not in interrupt pending register
20	Error:	End-of-frame failed to set for second time
40	Error:	End-of-frame failed to set for third time
80	Error:	No end-of-frame interrupt seen
100	Error:	Wrong IPL level for EOF interrupt
200	Error:	Interrupt request failed to clear interrupt pending register bit
400	Error:	End-of-frame interrupt not seen when looking at the interrupt request register
800	Error:	Error during cursor test
1000	Error:	VDCSEL register read/write failure

# C

## System Tests

---

### C.1 Error and Status Codes for the VS3100 System Test

In all cases, when examining the exerciser report, a single question mark (?) indicates a nonfatal error, a double question mark (??) indicates a fatal error, and the absence of question marks indicates success.

The system software error codes are as follows:

```
FFFE.xxxx -- A device control block was found which did not have
             a valid pointer to a system level test module.
FFFD.xxxx -- A system level test module failed to respond within
             the designated time period.
```

### C.2 Ethernet Subsystem Status and Error Codes

```
TEST NUMBER  ID NAME
-----
1  00C0 NI
```

```
000x.yyyy -- x   is subtest number
             yyyy is error code
```

For x values, the testing being performed:

1. Verifies LANCE interrupt on initialization done
2. Performs internal loopback testing
3. Displays Ethernet subsystem status and error codes
4. Verifies multicast filtering and promiscuous receive

100 System Tests

5. Forces collision error
6. Forces MISS error
7. Performs external loopback testing

For *YYYY* values, the corresponding error is:

0002	No packet received
0004	Packet data miscompare
0006	Wrong received CRC
0008	Initialization failed
000A	Received a packet with bad CRC
000C	CRC flag was not set when forced
000E	Received an illegal multicast packet
0010	Rejected a packet when in promiscuous mode
0012	Rejected a legal multicast packet
0014	RTRY not set when forced
0016	BUFF not set when forced
0018	MISS not set when forced
001A	Transmit error
001C	Transmit timeout

### C.3 8-Plane Video Option Status and Error Codes

```
TEST NUMBER  ID NAME
```

```
-----
```

```
4  00D0 8PLN
```

00yy.xxxx Where :

for soft error ( one question mark is displayed)  
yy = soft error - video readback (should be 20 or 21)  
xxxx = 0

for hard error ( 2 question marks are displayed)  
yy = status code for test that failed  
xxxx = error from exerciser error codes

Test numbers:

```
-----
```

```
program initialization  02
```

```
FCC RAM                03
```

```
FCC fifo control      04
```

```
dragon initialization  05
```

```
dragon timing chip    06
```

```
video memory          07
```

```
ID bus data path      08
```

```
FCC data transfers    09
```

```
byte packing          10
```

```
byte packing ( burst mode )  11
```

```
compression           12
```

```
transfer display list command 13
```

```
display list commands  14
```

```
interrupts            15
```

```
cursor                16
```

```
VDAC read/write      17
```

```
scrolling             18
```

```
scrolling ( burst mode )  19
```

```
video readback        20
```

```
cursor readback       21
```

```
left edge readback    22
```

```
right edge readback   23
```

```
sync readback         24
```

## 102 System Tests

Status codes:

```
-----  
err$_vse_init_failed           01  
err$_kernel_allocate_failed    02  
err$_create_device_1_failed    03  
err$_create_device_2_failed    04  
err$_poll_failed               05  
err$_data_path_failed          06  
err$_fifo_path_failed          07  
err$_fifo_empty_bit           08  
err$_fifo_full_bit            09  
err$_fwlt0_wrong              0A  
err$_fwused_wrong             0B  
err$_athere_wrong             0C  
err$_adder_scans              0D  
err$_viper_init               0E  
err$_adder_init               0F  
err$_update_enable            10  
err$_memory_read              11  
err$_plane                     12  
err$_data_path_crc            13  
err$_data_path_compare        14  
err$_scroll_right_crc         15  
err$_scroll_right_compare     16  
err$_scroll_up_crc            17  
err$_scroll_up_compare        18  
err$_scroll_left_crc          19  
err$_scroll_left_compare      1A  
err$_scroll_down_crc          1B  
err$_scroll_down_compare      1C  
err$_fcsr_not_thresh          1D  
err$_fcsr_not_empty           1E  
err$_get_ne_put               1F  
err$_fcc_transfer_crc         20  
err$_fcc_data_wrong           21  
err$_fcc_address_wrong        22  
err$_fcc_tx_noadder           23  
err$_fcc_no_tx_adder          24  
err$_fcc_transfer_compare     25  
err$_vdac_read_failed         26  
err$_vdac_data_failed_a       27  
err$_vdac_data_failed_b       28  
err$_vdac_address_failed_a    29  
err$_vdac_address_failed_b    2A  
err$_vdac_address_failed_c    2B  
err$_vdac_init                 2C  
err$_compare_bitmap_failed    2D  
err$_read_bitmap_failed       2E  
err$_fcc_register_failed      2F  
err$_fifo_control_failed      30
```

err\$_ptb_unpack	31
err\$_btp_pack	32
err\$_btp_pack_wrong	33
err\$_fcc_no_idle_interrupt	34
err\$_fcc_no_thresh_interrupt	35
err\$_cursor_test_bit	36
err\$_cursor_test_timeout	37
err\$_adder_interrupt_timeout	38
err\$_fcc_interrupt_timeout	39
err\$_no_sys_request	3A
err\$_sys_request	3B
err\$_no_interrupts	3C
err\$_wrong_count	3D
err\$_fcc_no_thresh_request	3E
err\$_fcc_thresh_interrupt	3F
err\$_wrong_csr_address	40
err\$_fcc_thresh_request	41
err\$_dlc_1	42
err\$_dlc_2	43
err\$_dlc_3	44
err\$_dlc_4	45
err\$_dlc_5	46
err\$_dlc_6	47
err\$_dlc_7	48
err\$_dlc_8	49
err\$_dlc_9	4A
err\$_dlc_10	4B
err\$_dlc_11	4C
err\$_dlc_12	4D
err\$_dlc_13	4E
err\$_foreground_map	4F
err\$_background_map	50
err\$_cursor_a_map	51
err\$_cursor_b_map	52
err\$_ptb_fcc_wrong_bits	53
err\$_video_readback	54
err\$_cursor_readback	55
err\$_no_sync	56
err\$_decompression	57
err\$_comp_fifo	58
err\$_short_display_list	59
err\$_right_readback	5A
err\$_left_readback	5B
err\$_sync	5C
err\$_ptb_dlc	5D
err\$_btp_diag_failed_a	5E
err\$_btp_diag_failed_b	5F
err\$_fcc_bitmap_compare_a	60
err\$_fcc_bitmap_compare_b	61
err\$_rdbk_1	62



## 104 System Tests

err\$_rdbk_2	63
err\$_rdbk_3	64
err\$_rdbk_4	65
err\$_rdbk_5	66
err\$_rdbk_6	67
err\$_cursor_test_true	68
err\$_cursor_test_false	69
err\$_vertical_sync	6A
err\$_init_adder_scans	100
err\$_viper_initialization	200
err\$_adder_initialization	300
err\$_fill_bitmap_area	400
err\$_quick_bitmap_read	500
err\$_read_bitmap	600
err\$_compare_bitmap	700
err\$_fcc_compare	800
err\$_viper_register_load	1000
err\$_viper_z_load	2000
err\$_chip_select	3000
err\$_poll	4000

### EXERCISER TEST ORDER

#### NONBURST MODE, FIRST PASS

fcc ram data and address  
fcc passive fifo control  
dragon chips initialization  
dtc chip select  
quick video ram  
id bus data path  
fcc unpacking  
interrupts  
vdac  
scrolling  
short display list  
processor to bitmap display  
list command  
cursor  
fcc compression algorithm  
video readback

### NONBURST MODE, NOT FIRST PASS

```
fcc ram data and address
fcc passive fifo control
dragon chips initialization
dte chip select
quick video ram
id bus data path
interrupts
vdac
short display list
processor to bitmap display
  list command
video readback
```

### BURST MODE

```
If customer mode:
  fcc unpacking
  scrolling
  cursor
  fcc display list commands
  fcc compression algorithm
```

If manufacturing mode (loopbacks), then the burst mode testing is broken up into two groups that get executed on every other burst mode pass. This was done to decrease the amount of time that each pass spends on the color module, and hopefully, eliminate any timeouts that manufacturing was seeing with the 4-plane.

```
Group 1:
  fcc_unpacking
  scrolling
  display list commands
  fcc compression algorithm
```

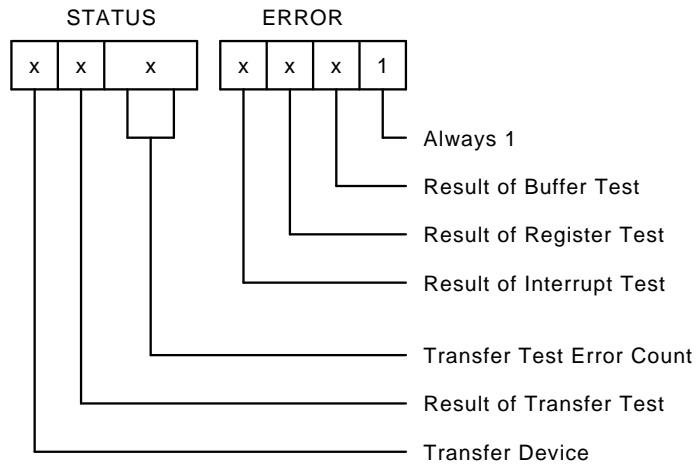
```
Group 2:
  cursor
```

## C.4 SCSI-B Status and Error Codes

```

TEST NUMBER  ID NAME
-----
6  00A0 SCSI B
    
```

The first line of the SCSI-B report:



**Result of Buffer Test:** This position will contain a value from Table C-1.

**Result of Register Test:** This position will contain a value from Table C-1.

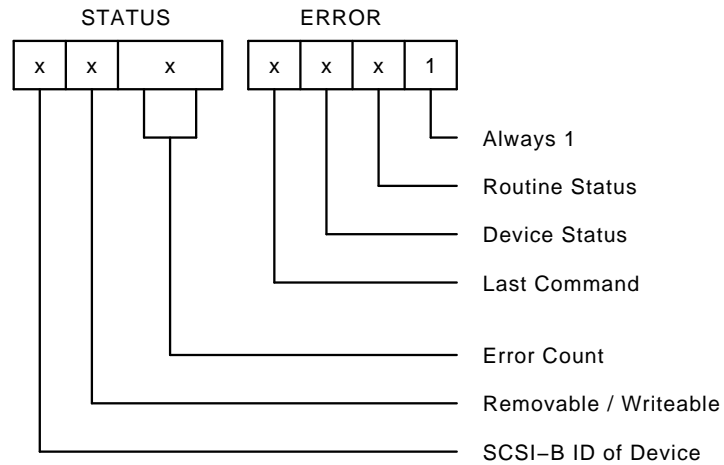
**Result of Interrupt Test:** This position will contain a value from Table C-1.

**Transfer Test Error Count:** This position will contain the number of transfer test errors.

**Result of Transfer Test:** This position will contain a value from Table C-1.

**Transfer Device:** This position will contain the ID of the SCSI-B device used. This value is 'F' during the first pass, and '8' if unable to use any device as a transfer device.

Subsequent lines of the SCSI-B report:



**Routine Status:** This position will contain a value from Table C-1.

**Device Status:** This position will contain a value from Table C-2.

**Last Command:**

- 0 - com\$unitready
- 1 - com\$requestsense
- 2 - com\$inquiry
- 3 - com\$senddiagnostics
- 4 - com\$recdiagnostics
- 5 - com\$read
- 6 - com\$write
- 7 - com\$rewind

**Removable/Writeable:**

- 1 - Removable
- 2 - Writeable

**SCSI-B ID of Device:** This position will contain the ID on the SCSI-B bus of the device (that is, its address on the SCSI-B bus).

**Table C-1 SCSI-B Error and Status Summary**

<b>Value</b>	<b>Error</b>
0	Success
1	Controller error: DMA bit will not set in the SCSI-B controller mode register. Target command register not valid. Initiator command register not valid. Bus free not valid. Phase match bit in bus and status register not valid. Interrupt request bit in bus and status register not valid.
2	Data path error: Data path in longword, word, or byte access failed; unable to access all of data buffer. Unable to reach SCSI-B controller; unable to write to mode register.
3	DMA count error: Count register not verified. Count not 0 after DMA transfer.
4	Timeout error: No phase match within timeout period.
5	Interrupt error: Interrupt not received when expected. An error occurred while testing the system interrupt logic.
6	Unexpected interrupt error: Unexpected interrupt received.
7	Command error: Request sense command ended without sense data. Command terminated with bad device status.
8	Phase error: Unexpected phase or phase change on SCSI-B bus.
9	Buffer overflow error: Too many bytes read from target.

**Table C-1 (Cont.) SCSI-B Error and Status Summary**

<b>Value</b>	<b>Error</b>
A	Arbitration error: AIP bit in initiator command register not set during arbitration process, or arbitration lost during arbitration process, or arbitration not won.
B	Target will not set BSY during selection process, or the SCSI-B is busy at start of register test, or the INI_CMD<BSY>bit could not toggle during the register test.
C	Unable to loop data out onto SCSI-B bus and back in again.
D	Direction and phase of SCSI-B bus, as set by the target and read from the controller, are incompatible.
E	SCSI-B bus will not drop REQ within timeout period, or SCSI-B bus will not assert REQ within timeout period.
F	DMAEND bit not verified in bus and status register, or DMA data not matching expected data.

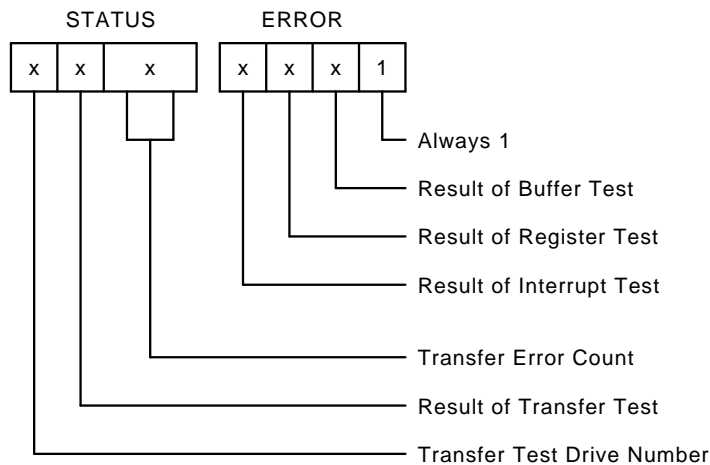
**Table C-2 SCSI Device Status**

<b>Code</b>	<b>Definition</b>
0	Ready - SCSI device is on-line and ready for commands.
2	Off-line - Status given to SCSI ID devices that will not respond to selection process, or status given to all devices for initialization.
4	Not ready - Status given to devices that are selectable, but return a not ready status during status phase of a command (command tried five times).
6	Diagnostic error - Device returned an error status after a self-test.
8	Key error - Unable to rewrite Customer Services key on removable media sequential device.

## C.5 SCSI-A Status and Error Codes

```
TEST NUMBER  ID NAME
-----
7  0090 SCSI A
```

The first line of the SCSI-A report:



**Result of Buffer Test:** This position will contain a value from Table C-3.

**Result of Register Test:** This position will contain a value from Table C-3.

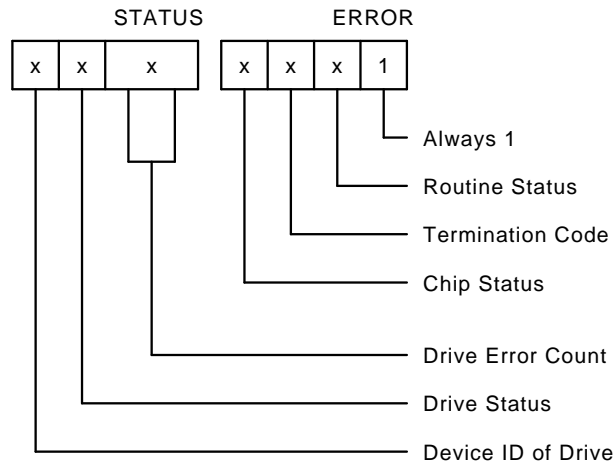
**Result of Interrupt Test:** This position will contain a value from Table C-3.

**Transfer Error Count:** This position contains a count (in hex) of the number of errors that have occurred during the transfer test.

**Result of Transfer Test:** This position will contain a value from Table C-3.

**Transfer Test Drive Number:** Number of the drive used for the transfer test. Value ID F if no drive is available.

Subsequent lines of the SCSI-A report:



**Routine Status:** This position will contain a value from Table C-3.

**Termination Code:** This position will contain the TERMCOD bits of the interrupt status port register.

**Chip Status:** This position is divided into four binary bits.

Revectored BB = VALUE F  
 Error occurred while revectoring = VALUE E  
 Ecc error = 4 \\  
 Sync error = 2 > Bit field  
 Cmp error = 1 /

**Drive Error Count:** This position will contain the number of errors for this drive.

**Drive Status:** This position is also divided into three binary bits.

WRITEABLE = 4  
 UIB and RCT = 2  
 FORMATTED = 1

**Device ID of Drive:** This position will contain a number between 0 and 3. It will represent the ID of the drive.



**Table C-3 SCSI-A Error and Status Summary**

<b>Value</b>	<b>Error</b>
0	Success
1	Registers 0, 1, 2, or 3 not completely verified, rtcnt, invrdy, intrdch, ready, presdrv, int_done selack(l), skcom(h) not verified.
2	Data path error: Data path in longword, word, or byte access failed; unable to verify all of data buffer or data path to register 10 not verified.
3	DMA count error: Count register not verified. Count not 0 after DMA transfer.
4	Command not finished before timeout.
5	Error in system interrupt logic.
6	Unexpected interrupt before command issued.
7	Command terminated with bad status.
8	Restore command terminated with error status.
9	Step command terminated with error status.
A	Seek command terminated with error status.
B	Read command terminated with error status.
C	Write command terminated with error status.
D	Unable to verify register sequencing in 9224.
E	Drive not formatted (UIB, RCT not found. Bad media).
F	Data checksum incorrect in transfer test.

## C.6 SCSI-A Error Explanations

### MEDIA PROBLEMS

For the 1st line of the report, any error that looks like this could be a media error:

```
XBYX.0001 Read Error  
XCYY.0001 Write Error
```

where *x* is the transfer unit and *yy* is the error count

For the 2nd, 3rd, or 4th line reported (that is, the device status), the following codes indicate a media error:

```
XZYY.STA1      Seek Error  
XZYY.STB1      Read Error  
XZYY.STC1      Write Error
```

where:

*x* = Drive number  
*z* = Drive status  
*yy* = Error count  
*s* = Chip status  
*t* = Termination code

### CONTROLLER PROBLEMS

The following error codes are probably caused by controller problems. They will occur in the 1st line of the error report.

```
XXXX.ABCD
```

where *XXXX* is a don't care situation and if *A*, *B*, *C*, *D* are anything except 0.

### **CONTROLLER OR DRIVE PROBLEMS**

The following errors could be controller or drive problems. They will occur in the 2nd, 3rd, or 4th line of the error report:

XZYY.ST81 Restore Error  
XZYY.ST91 Step Error

where:

X = Drive number

Z = Drive status

YY = Error count

S = Chip status

T = Termination code (this must be a nonzero value)

If these errors only occur on one drive in a multidrive system, then the error is probably in the drive. If these errors occur on all the drives, then the error is probably in the controller. There was a bug in the earlier versions (REV J and back) that reported a RESTORE ERROR with a termination code equal to 0. This should be fixed in the later versions. If you see this error in versions after REV J, report it to the diagnostic group.

### **CONTROLLER OR MEDIA PROBLEMS**

This error could be a problem with the media or the controller. It will be seen on the 1st line of the error report:

XFYY.0001 CRC/ECC error

where x is the transfer unit and yy is the error count.

## C.7 Memory Status and Error Codes

```
TEST NUMBER  ID NAME
-----
B  0010 MEM
```

Status.error	Meaning
-----	-----
0000.0001	Success
0001.000F	System software error
0002.000F	System software error
0003.000F	System software error
0004.000F	System software error
0005.000F	System software error
0006.000F	System software error
0007.000F	System software error
0008.000F	System software error
0001.001F	Compare error on system board
0002.001F	Compare error on option board
0001.002F	Parity error on system board
0002.002F	Parity error on option board

When there is no error, the status word will reflect the number of 512 byte memory pages tested at the time of the report.

The monochrome status and error code display line is complimented with another field, progress reporting. Progress reporting is a four "nibble" wide field (just after the error field) that gives an indication of progress of the test module by increasing its count from zero after the first pass and during each subsequent pass. The progress count is always initialized at the beginning of each pass.

### NOTES

**System software errors are indicated with codes** `xxxxx.000F`.

**When there is no error, the status word will reflect the number of 512 byte memory pages tested at the time of the report.**

## C.8 DZ Controller Status and Error Messages

```
TEST NUMBER  ID NAME
-----
C 0080 DZ
```

All errors detected during the DZ system exerciser are considered to be fatal. If the exerciser is being executed in Customer Services or manufacturing mode, then loopback connectors are required on the appropriate ports. If an error is detected during these modes, check that the loopbacks are installed before changing the system module.

Error messages will be displayed as follows:

```
0LSS.EEEE
```

The error message is broken up into two fields. The first field, '0LSS', represents the status word. The second field, 'EEEE', represents the error code.

The status word portion of the error message from this test will be broken into two fields. The upper byte, '0L', will indicate the line preempted by the console. The lower byte, 'SS' will give additional information on the error code as follows:

<b>Status</b>	
<b>Code</b>	<b>Meaning</b>
0	The error code is broken into four fields with each digit of the error code corresponding to one line on the DZ. The least significant four bits of the error code represents line 0.
FF	Device fatal error. The entire error code indicates the error.
0F	System software error. The entire error code indicates the error.

Error descriptions for status code = 0:

```
0X00.ABCD
```

where x represents the line preempted by the console and A, B, C, D represents a 4-bit error field for each line. 'A' represents 4 bits for line 3, 'B' represents 4 bits for line 2, 'C' represents 4 bits for line 1, and 'D' represents 4 bits for line 0.

A description of the 4-bit error codes are described in the following table:

<b>Error Code</b>	<b>Meaning</b>
0	No error detected for this line ** Error codes testing all lines simultaneously **.
1	No character received.
2	Failed to transmit all characters, or transfer took too long, or lost receive characters.
3	Too many characters received.
4	Character received not equal expected.
5	Parity, framing, or overrun error detected ** Error code testing baud rates on line 2 **.
6	Baud rate timing error ** Error code testing modem signals through loopback connector **.
7	Modem signals not equal expected ** Error codes testing each line for overrun errors **.
8	Overrun error not equal 0.
9	Character received not equal expected.
A	Overrun error failed to set ** Error codes testing each line for framing errors **.
B	Framing error failed to set ** Error codes testing transmit flag and interrupt request ** ** Register for each line. **.
C	TxRdy bit failed to set.
D	Transmit line received not equal expected.
E	Interrupt request bit ST not set in INT_REQ register.
F	Interrupt request bit ST not cleared in INT_REQ register.

118 System Tests

Error descriptions for status code = FF

0XFF.EEEE

where:

X represents the line preempted by the console  
FF represents a device fatal error  
EEEE represents the error code

Error Code	Meaning
-----	-----

\*\* Initial Startup code \*\*

0001 - Interrupt Mask Register, INT\_MSK,  
register bits ST or SR stuck at 1

\*\* Error Codes in READ\_WRITE\_REGISTER\_TEST \*\*

0002 - Master clear failed to reset DZQ

0003 - CSR register <> expected %x1028

0004 - CSR register failed to clear

0005 - TCR register <> expected %x0F0F

0006 - TCR register failed to clear

\*\* Error Codes in INTERRUPT\_BITS\_TEST \*\*

0007 - TRDY bit in CSR stuck at 1  
0008 - TRDY bit in CSR failed to set  
0009 - TRDY bit in CSR failed to clear  
    after transmitting a character  
000A - TRDY bit in CSR failed to set  
    after transmitting a character  
000B - RDONE bit failed to set after  
    transmitting character in internal  
    loopback mode.  
000C - SR bit in INT\_REQ register not set  
    by RDONE  
000D - SR bit in INT\_REG register not cleared  
    by writing bit in INT\_CLR register  
000E - Character received <> '0' or line  
    number not equal expected  
000F - Data valid bit not set in word read  
0010 - Silo Alarm Enable failed to set in CSR  
0011 - Silo Alarm failed to set after transmitting  
    16 characters in internal loopback  
0012 - RDONE not set after 16 characters received  
0013 - SR bit in INT\_REQ register not set by  
    Silo Alarm  
0014 - Silo Alarm failed to clear after reading  
    a character from Silo  
0015 - Master clear failed to reset the DZQ  
0016 - Unexpected transmit interrupt occurred with  
    Interrupt Mask bit cleared.  
0017 - Unexpected receive interrupt occurred with  
    Interrupt Mask bit cleared.

\*\* Error Codes for BASIC\_INTERRUPT\_TEST \*\*

0018 - INT\_MSK register bit ST failed to set  
0019 - Failed to receive a transmit interrupt  
001A - Transmit interrupt occurred with INT\_MSK  
    bit ST cleared  
001B - INT\_MSK register bit SR failed to set  
001C - Failed to receive a receive interrupt  
001D - Receive interrupt occurred with INT\_MSK  
    bit SR cleared.

\*\* Error Codes in BREAK\_DETECT\_TEST \*\*

001E - TRDY failed to set after setting  
    line enable for line in TCR register

\*\* Error Codes in OUTPTR\_CHAR\_POLLED \*\*

001F - TRDY failed to set in allotted time



Error descriptions for status code = 0F:

0X0F.EEEE

where:

X represents the line preempted by the console  
 0F represents a system software error  
 EEEE represents the error code

The error codes for this type of error range from 0001 to 000B. These errors are detected after making calls to the system exerciser monitor. They will be considered system software errors and considered to be fatal.

## C.9 Monochrome Display Status and Error Codes

TEST NUMBER ID NAME

-----

F 00B0 MONO

Status.error	Meaning
-----	-----
0001.F001	System software error
0001.F002	System software error
0001.F003	System software error
0001.F004	System software error
0001.F005	System software error
0001.F006	System software error
0000.0001	No errors
0001.0002	VDC register error
0001.0003	Screen memory error
0001.0004	Unexpected end-of-frame interrupt
0001.0005	No end-of-frame interrupt
0001.0006	Interrupt register error
0001.0007	Cursor chip error

A system software error may indicate a corrupted ROM.

The monochrome status and error code display line is complimented with another field, progress reporting. Progress reporting is a four "nibble" wide field (just after the error field) that gives an indication of progress of the test module by increasing its count from zero after the first pass and during each subsequent pass. The progress count is always initialized at the beginning of each pass.

# D

## Diagnostic LEDs Definitions

---

This appendix defines the eight LEDs on the back of the system box during each phase of the testing and power-up initialization. The LEDs are divided into two fields. The first four LEDs indicate the current state of the system and the second set of four depend on the previous four.

There are sixteen possible combinations for each set of LEDs. The four LEDs that indicate the state of the system have the following definitions. The other four LEDs have another meaning as indicated in Table D-1. The number 1 indicates the LED is lit.

**Table D-1 Diagnostic LEDs Definitions**

<b>State</b>	<b>Substate</b>	<b>Definitions</b>	<b>Recommendations</b>
1111	1111	Power is applied but no instruction is executed.	See Section D.1
1111	0000	Power is applied. The ROM code is successfully started and several instructions have been executed.	See Section D.1
1110	0000	Console memory sizing routine is entered. Memory to hold the console data structures is located. The substate variables have no meaning in this section of the test.	See Section D.1
1101	0000	The console data structures are initialized and have started testing the NVR.	See Section D.1
1100	0000	The NVR test completed and the DZ test has started.	See Section D.1

**Table D-1 (Cont.) Diagnostic LEDs Definitions**

<b>State</b>	<b>Substate</b>	<b>Definitions</b>	<b>Recommendations</b>
1011	0000	The DZ test completes. An optional video has been found but its testing has not been started. This is part of the console determination code.	See Section D.1
1011	0001	The DZ test completes. No optional video is installed or, if it is installed, fails self-test. In either case, the base monochrome video test has been entered.	See Section D.1
1010	0000	The video subsystem was tested and the console initialization sequence was entered.	See Section D.1
1001	xxxx <sup>1</sup>	The system initializes and power-up testing starts. The substate variable indicates the test being executed.	If the substate contains any lit LEDs, determine the failing device. If you have operational video, troubleshoot that device. If the video screen is blank, you have a dead system. See Section D.1.
1000	xxxx <sup>1</sup>	The self-test completes with the substate indicating the failing subsystem.	Enter <b>TEST 50</b> to see the results
0111	xxxx <sup>1</sup>	Self-test was entered from the console TEST command. The substate indicates the test currently being executed.	Enter <b>TEST 50</b> to see the results.
0110	xxxx <sup>1</sup>	The self-test completes from the TEST command with the substate indicating the failing subsystem.	Enter <b>TEST 50</b> to see the results.

<sup>1</sup>1111 = MONO, 1110 = CLK, 1101 = NVR, 1100 = DZ, 1011 = MEM  
1001 = FP, 1000 = IT, 0111 = SCSI-A or SCSI-B  
0110 = SCSI-A or SCSI-B, 0101 = SYS, 0100 = 8PLN, 0011 = (option)  
0010 = (option), 0001 = NI

Table D-1 (Cont.) Diagnostic LEDs Definitions

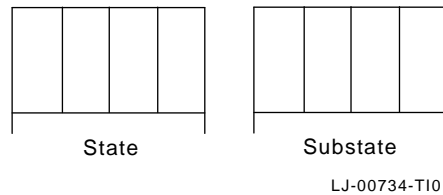
State	Substate	Definitions	Recommendations
0101	xxxx <sup>1</sup>	The self-test started under control of the APT system. The substate indicates the test currently being executed.	Enter <b>TEST 50</b> to see the results.
0100	xxxx <sup>1</sup>	The system exerciser started from a console TEST command. The substate indicates the value of the lower four bits of the command. If the system exerciser starts with a <b>T 101</b> , the substate contains a 1 (hexadecimal).	Read the test results on the screen. Troubleshoot the failing device.
0011	0000	The system exerciser started under control of the APT test delivery system.	Read the test results on the screen. Troubleshoot the failing device.
0010	xxxx <sup>1</sup>	The entity-based module received a request from a host to enter monitor mode. This lets the host send commands to the system. This is indicated if the functionality of the EBM is implemented at a later release of the ROM.	Reserved for future use.
0001	xxxx <sup>1</sup>	Console mode was successfully entered and is ready to accept commands. This does not apply to power on. The substate indicates the failing subsystem if there is one. This differs from a self-test complete, because the console can be entered by other means.	This code indicates that the console was entered from something other than a TEST command or power on halt, such as the HALT button.

<sup>1</sup>1111 = MONO, 1110 = CLK, 1101 = NVR, 1100 = DZ, 1011 = MEM  
1001 = FP, 1000 = IT, 0111 = SCSI-A or SCSI-B  
0110 = SCSI-A or SCSI-B, 0101 = SYS, 0100 = 8PLN, 0011 = (option)  
0010 = (option), 0001 = NI

**Table D–1 (Cont.) Diagnostic LEDs Definitions**

<b>State</b>	<b>Substate</b>	<b>Definitions</b>	<b>Recommendations</b>
0000	xxxx	Attempting to boot the system. Once control passes to VMB, the state LEDs have no meaning.	System is booting.

Figure D–1 shows the LEDs on the back of the system box.

**Figure D–1 LED Layout**

## D.1 Additional LED Information

When the system does not power up successfully or if the diagnostics find an error, the eight LEDs on the back of the system box usually indicate the failing device (the system takes 2 to 5 minutes to complete power-up initialization and testing). However, if the four state LEDs indicate 1111 (F in hexadecimal) through 1010 (A in hexadecimal), the substate LEDs offer no help in determining the failing FRU. You must disconnect a FRU as described in each step in the following procedure until the system does power up normally. Once the system does power-up normally, the last FRU you disconnected is the failing FRU. Replace the failing FRU and retest the system for any further problems.

1. Power down the system. Remove the system box cover, disconnect the cable connecting the system module to the MSC module, and disconnect the power cables to the drives. This disconnects the MSC module and all of the drives from the system.
2. Power up the system with the MSC module disconnected. If the system still does not power up properly, the problem is not with the drives or the MSC module, then proceed to step 3. If the system does power-up successfully after disconnecting the MSC module, replace the MSC module and retest the system.

3. Power down the system, remove drive mounting panel(s) from the system, and remove the graphics module from the system module. If the graphics module was not installed, then proceed to step 5. When you power-up the system after removing the graphics module, you must either connect an alternate console terminal to the printer port and set **[S3]** to the up position (9600 baud rate) or watch the LEDs to see if the system does or does not power up successfully. The alternate console is used to display the video because there is no video signal output to the monitor when the graphics module is disconnected.
4. Power-up the system with the graphics module disconnected. If the system still does not power up properly, the problem is not in the graphics module, then proceed to step 5. If the system does power up successfully, replace the graphics module and retest the system.
5. Power down the system, remove the memory module from the system module.
6. Power up the system with the memory module disconnected. If the system does not power up properly, the problem is not the memory module, then proceed to step 7. If the system does power up successfully, replace the memory module and retest the system.
7. Power down the system. Replace the system module and power up the system again. If the system still does not power up properly after replacing the system module, replace the power cable.

# Index

## C

Command codes  
  PV\_SCS\_FMT\_ERR#, 23  
Console  
  password feature, 27  
Console's configuration display  
  utility, 77  
  CLK, 97  
  COLOR, 80  
  DZ, 95  
  FP, 94  
  IT, 93  
  MEM, 94  
  MONO, 98  
  NI, 77  
  NVR, 97  
  SCSI-A, 93  
  SCSI-B, 83  
  SYS, 82  
Contents  
  system, 33  
Cover removal  
  system box, 39 to 40

## D

Diskette formatter, 20  
  messages, 21  
Disk formatter  
  diskette example, 20  
Documentation  
  conventions, xi  
  ordering, x  
  related, x

## Documentation (Cont.)

  video monitor, 37  
Documents  
  related, x  
  video monitor, 37  
Drive plate  
  removal, 55

## E

Equipment required, x  
Error and status codes for PVAX  
  system test  
    DZ controller, 116  
    Ethernet subsystem, 99  
    memory, 115  
    monochrome display, 120  
    8-plane video option, 101  
    SCSI-A, 110  
    SCSI-B, 106  
Error and status codes for VS3100  
  system test, 99  
Error codes  
  PV\_SCS\_FMT\_ERR#, 23 to 25  
Ethernet ID ROM  
  removing/replacing, 65

## F

FRU, 37  
FRU removal and replace  
  procedures, 36

## 2 Index

### G

- Graphics coprocessor module
  - removal, 60
- Graphics Coprocessor Module
  - Selection 60Hz/66Hz, 61

### H

- Halt button
  - location, 34

### J

- Jumpers
  - RZ22, RZ23, RZ23L, RZ24, 47
  - SCSI ID, 47

### L

- Locating failed memory bank, 11
- Loopback connectors, 5

### M

- Memory modules
  - error code for MEM, 12
  - removal, 62
- Model 76
  - enclosure description, 33
  - FRU removal and replacement
    - procedures, 36
    - keyboard, 70
    - mouse and tablet, 72
    - power supply, 69
  - identification, 1
- Monitor
  - documentation, 37
- Monitors, 34

### P

- Password
  - enable, 29
  - examples
    - invalid, 29
    - valid, 29
  - feature, 27
  - status, 31
- Power-up testing
  - error codes, 3
  - example display, 2
  - summary display, 2
- PVST, 99
  - DZ controller, 116
  - Ethernet subsystem, 99
  - memory, 115
  - monochrome display, 120
  - 8-plane video option, 101
  - SCSI-A, 110
  - SCSI-B, 106
- PV\_SCS\_FMT\_ERR# Error Codes,
  - 23 to 25

### R

- Recommended spares list, 73
- Related documents, x
- RX23 disk drive
  - removal, 50
- RZ22/24 disk drive
  - removal, 41 to 49

### S

- SCSI
  - jumpers, 47
- SCSI device
  - SCSI-A system exerciser code, 16
- SCSI/FDI adapter
  - switches, 52
- Self-test



**Self-test (Cont.)**

- error codes, 6
- example display, 5
- running, 5
  - with loopback connectors, 5
  - using loopback connectors, 5

**Self-test commands, 3, 5****SIMM**

- error code for MEM, 12

**Special key for system exerciser**

- diskette example, 26

**Special key on diskettes for system**

- exerciser, 25

**Switches**

- SCSI/FDI adapter, 52

**System box**

- cover removal, 39 to 40

**System exerciser**

- commands, 7
- error codes, 7

**System exerciser diagnostics, 6****System module**

- removal, 64
- replacement, 66

**T****T 50, 77**

- CLK, 97
- COLOR, 80
- DZ, 95
- FP, 94
- IT, 93
- MEM, 94
- MONO, 98
- NI, 77
- NVR, 97
- SCSI-A, 93
- SCSI-B, 83
- SYS, 82

**Testing, 1**

- power-up, 2
- self-test, 5
- self-test commands, 5

**Testing (Cont.)**

- system exerciser, 6
- Time-of-Year chip, 27
- Tools required, x
- TOY chip, 27
- Troubleshooting, 9
  - memory (MEM), 9
  - RX23 self-test, 13
  - RX23 self-test results, 13
  - RX23 system exerciser, 15

**U****Utilities, 19**

- commands, 19
- diskette formatter, 20
- special key on diskettes for
  - Customer Services system exerciser, 25
- test number, 19 to 20

**V****VAXstation 3100 Model 76**

- connectors, 34
- Video monitor
  - documentation, 37
- Video monitors, 34